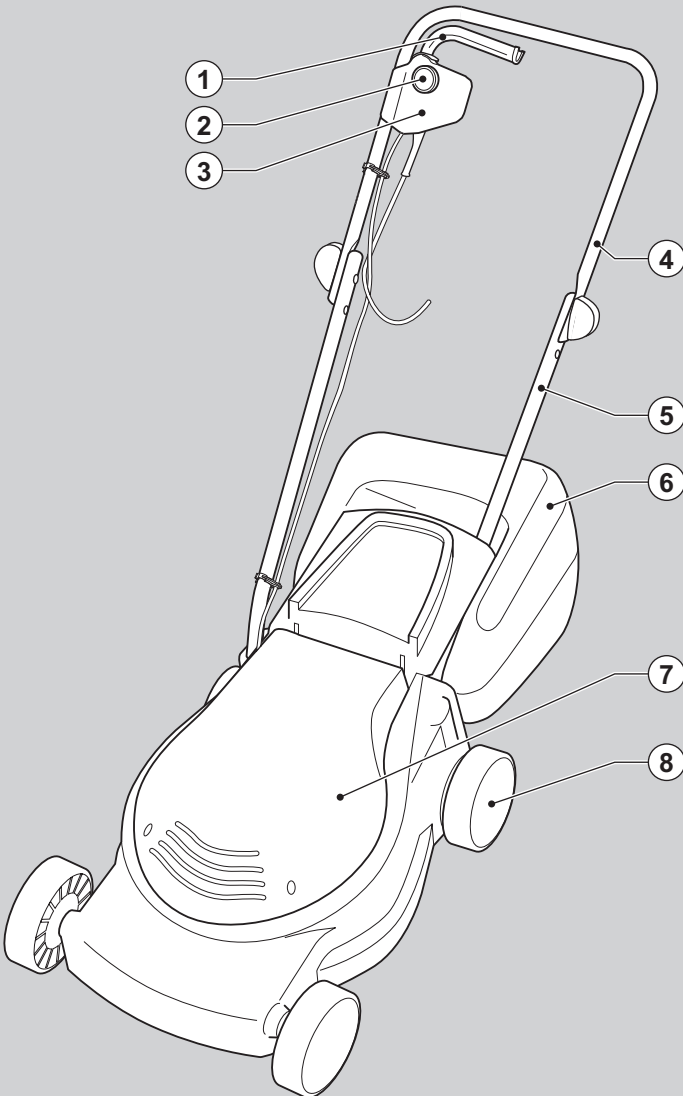




# BLACK & DECKER®

[www.blackanddecker.co.uk](http://www.blackanddecker.co.uk)

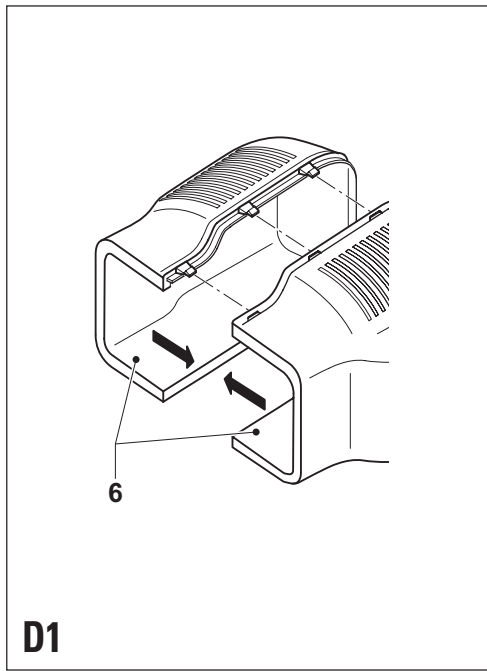
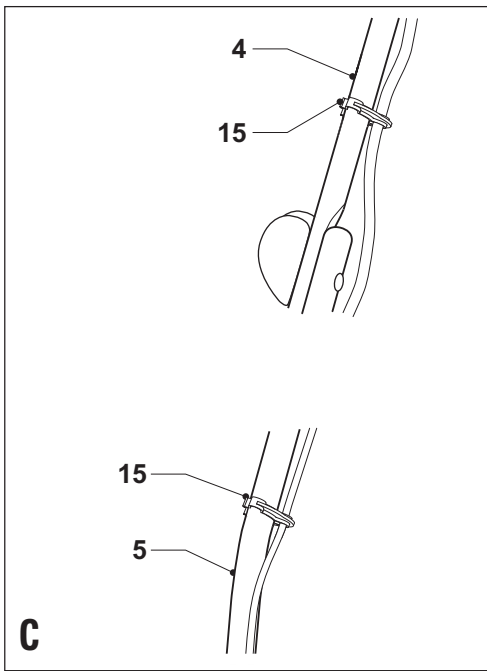
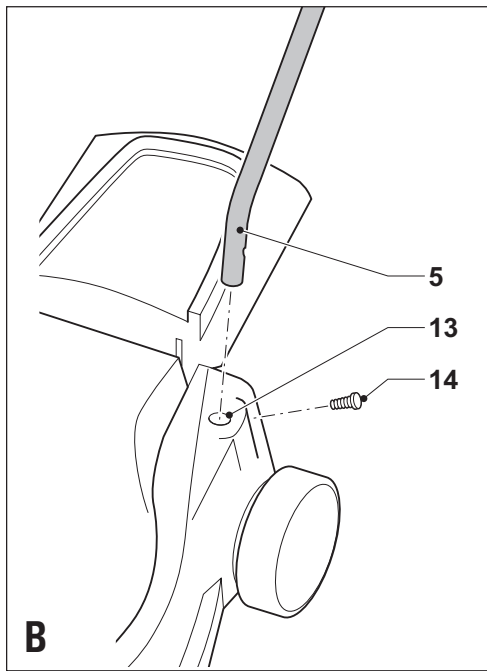
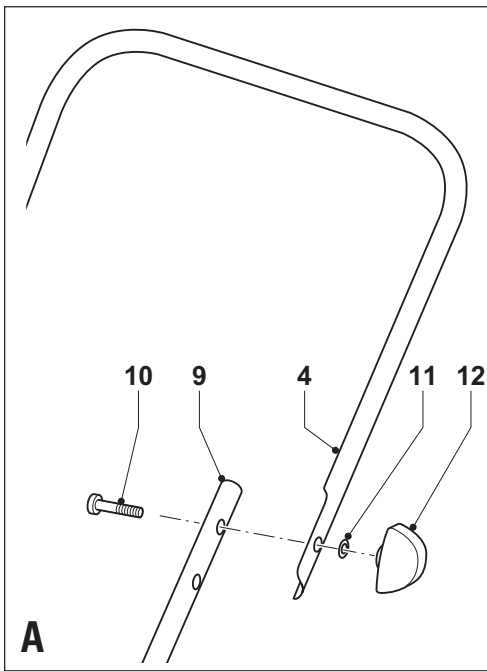


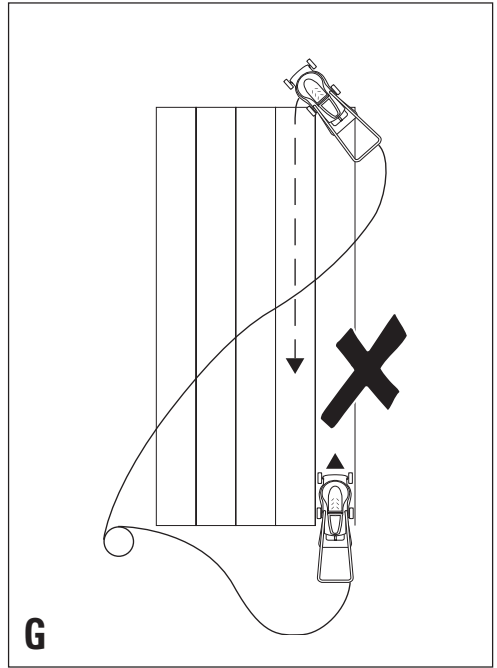
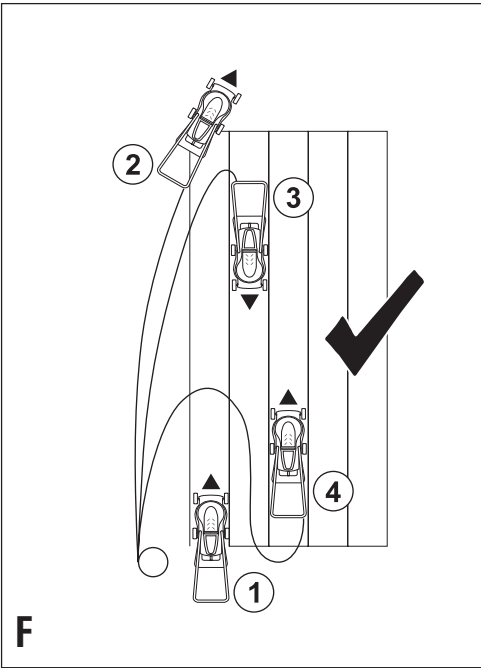
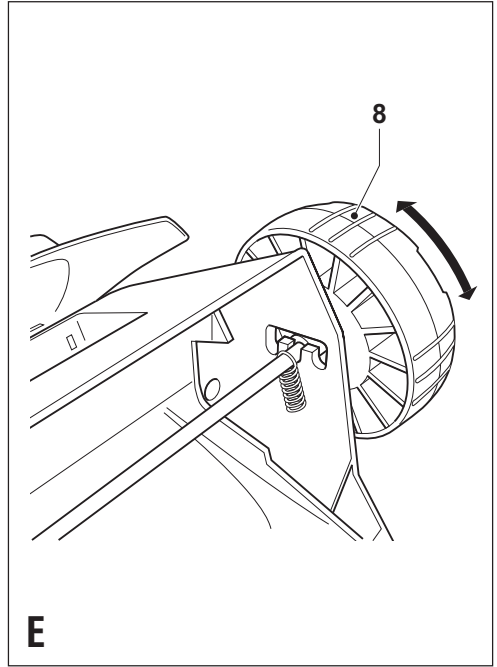
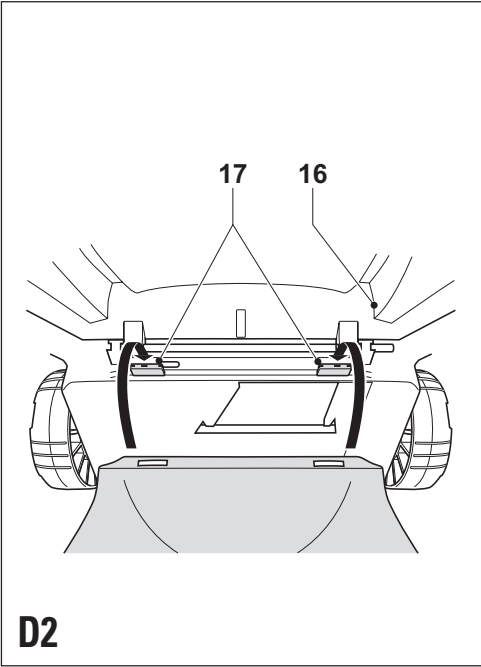
**UK**

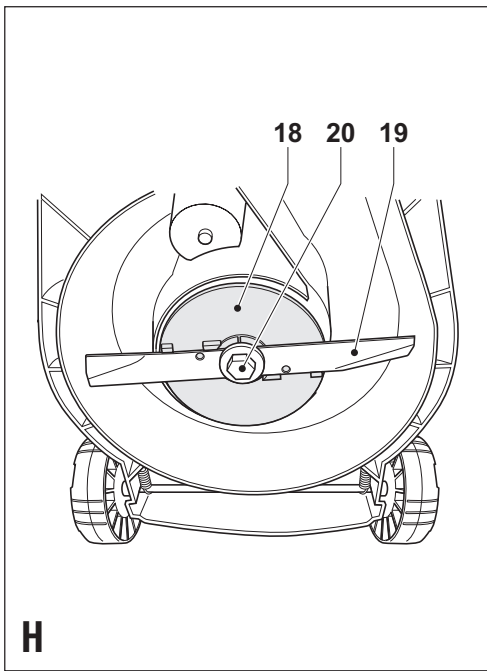
**Ireland**

**Australia**

**New Zealand**







## Intended use

Your Black & Decker mower has been designed for mowing grass. This tool is intended for consumer use only.

## Safety instructions

- ◆ **Warning!** When using mains-powered appliances, basic safety precautions, including the following, should always be followed to reduce the risk of fire, electric shock and personal injury.
- ◆ Read all of this manual carefully before operating the appliance.
- ◆ Before operating the appliance, make sure that you know how to switch it off in an emergency.
- ◆ Retain this manual for future reference.

## Training

- ◆ Read the instructions carefully. Be familiar with the controls and the proper use of the appliance.
- ◆ Do not allow children or any person unfamiliar with these instructions to operate the appliance. Local regulations may restrict the age of the operator.
- ◆ Never use the appliance while people, especially children, or pets are nearby.
- ◆ Remember that the operator will be held responsible for accidents or hazards occurring to other people or their property.

## Preparation

- ◆ Wear stout shoes or boots to protect your feet. Do not operate the appliance wearing open-toed sandals or when barefoot. Wear long trousers to protect your legs.
- ◆ Wear safety glasses or goggles when operating this tool. Use a face or dust mask whenever the operations take place in dusty surroundings. Hearing protection should be worn whenever the sound level seems uncomfortable.
- ◆ Guard against electric shock. Prevent body contact with earthed or grounded surfaces (e.g. metal railings, lamp-posts, etc.).
- ◆ Before using the appliance, visually check that the blade, blade nut and cutter assembly are not worn or damaged. Check that the blade nut is securely fastened.
- ◆ Before starting the operation, check that your mowing path is free from sticks, stones, wire and any other objects.

## Operation

- ◆ Never operate the appliance with defective guards or shields, or without safety devices, for example deflectors and/or grass catchers, in place.
- ◆ Only use the appliance in daylight or good artificial light.
- ◆ Do not expose the appliance to rain. Do not use the appliance in damp or wet conditions. Preferably do not use the appliance in wet grass.

- ◆ Be sure of your footing, particularly on slopes. Be aware that freshly cut grass is damp and slippery. Do not work on steep slopes.
- ◆ Work across the face of slopes, never up and down.
- ◆ Take extreme caution when changing direction on slopes.
- ◆ Walk, never run when using the appliance. Do not pull the appliance towards you or walk backwards when using the appliance.
- ◆ Switch on the appliance according to instructions and with your feet well away from the blade.
- ◆ Do not tilt appliance when switching it on, except if the appliance has to be tilted for starting. In that case, do not tilt the appliance more than absolutely necessary and lift only the part that is away from the operator. Always ensure that both hands are in the operating position before returning the appliance to the ground.
- ◆ Switch off the appliance and wait for the blade assembly to stop running if the appliance has to be tilted for transportation when crossing surfaces other than grass, and when transporting the appliance to and from the area to be mowed.
- ◆ Do not lift or carry the appliance until the blade has come to a complete standstill.
- ◆ Keep your hands and feet well away from the blade. Do not put your hands or feet near or under rotating parts.
- ◆ Keep away from discharge openings at all times.
- ◆ Switch off, remove the plug from the socket and ensure that moving parts have stopped rotating before leaving the appliance unattended and before changing, cleaning or inspecting any parts of the appliance or clearing a blockage. If the appliance starts to vibrate abnormally or if you hit a foreign object, switch the appliance off and remove the plug from the socket. Check for any damage to the appliance.
- ◆ Take care to keep the mains cable away from the blade. Always be aware of the position of the cable.
- ◆ The motor will continue to run for a few seconds after switching the appliance off. Never attempt to force the blade to come to a standstill.

## Maintenance and storage

- ◆ Before use, check the appliance for damaged or defective parts. Check for misalignment and seizure of moving parts, breakage of parts, damage to guards and switches and any other conditions that may affect its operation. Ensure that the appliance will operate properly and perform its intended function. Never use the appliance when any guard or enclosure is damaged or not in place. Do not use the appliance if any part is damaged or defective. Do not use the appliance if the switch does not turn it on and off. Have any damaged or defective parts repaired or replaced by an authorised repair agent.

- ◆ Check the cable frequently for damage. If the cable is damaged, it must be replaced by an authorised repair agent in order to prevent a hazard. Inspect extension cables periodically. Replace a damaged extension cable immediately.
- ◆ Keep all nuts, bolts and screws on the appliance tight to ensure a safe working condition.
- ◆ Check the grass bag for wear or damage and replace it if necessary. Never use the appliance without the grass bag.
- ◆ When not in use, the appliance should be stored in a dry place. Children should not have access to stored appliances.
- ◆ Ensure that only replacement cutting means of the right type are used.
- ◆ Use only Black & Decker recommended spare parts and accessories.

### Additional safety instructions for Australia and New Zealand

- ◆ This appliance is not intended for use by young or infirm persons without supervision. Children must be supervised to ensure they do not play with the appliance.
- ◆ If the supply cord is damaged, it must be replaced by the manufacturer or an authorised Black & Decker Service Centre in order to avoid a hazard.

### Warning symbols

The following warning symbols are found on the appliance:



Read the manual prior to operation.



Do not expose the appliance to rain or high humidity.



Remove the plug from the socket if the mains cable is damaged.



Keep bystanders away.



Remove the plug from the socket before carrying out any adjustment, servicing or maintenance.



Beware of sharp edges.



Keep the cable away from the cutting blades.

### Electrical safety

The appliance must always be switched off at the mains before disconnecting any plug and socket connector or extension cable.

### Double insulation



This appliance is double insulated in accordance with EN 60335; therefore no earth wire is required. Always check that the power supply corresponds to the voltage on the rating plate.

Electric safety can be further improved by using a high-sensitivity 30 mA residual current device (RCD).

### Using an extension cable

Always use an approved extension cable suitable for the power input of this tool (see technical data). The extension cable must be suitable for outdoor use and marked accordingly. Up to 30 m of 1.5 mm H05VV-F extension cable can be used without loss of product performance. Before use, inspect the extension cable for signs of damage, wear and ageing. Replace the extension cable if damaged or defective. When using a cable reel, always unwind the cable completely.

### Features

1. On/off switch
2. Lock-off button
3. Switch box
4. Upper handle
5. Lower handle
6. Grass bag
7. Motor cover
8. Wheels

### Assembly

**Warning!** Before assembly, make sure that the appliance is switched off and unplugged.

#### Assembling the handle (fig. A)

The lower handle parts have several mounting holes, allowing you to set the handle to a comfortable height during assembly.

- ◆ Fit the two lower handle parts (9) to the upper handle (4) using the screws (10), washers (11) and nuts (12) as shown.

#### Fitting the handle (fig. B)

- ◆ Insert the ends of the lower handle (5) into the corresponding holes (13) in the mower.
- ◆ Press the handle down as far as it will go.
- ◆ Secure the handle using the screws (14).

#### Fixing the cable (fig. C)

The mains cable has to be fixed using the cable restraints.

- ◆ Clip the one restraint (15) onto the cable leading from the switchbox to the motor. Secure the restraint to the lower handle (5)

- ◆ Clip the other restraint (15) onto the cable leading from the switchbox to the mains plug. Secure the restraint to the upper handle (4)

**Warning!** Make sure the cable is secured using the cable restraints prior to connecting the plug to the mains outlet.

### Assembling and fitting the grass bag (fig. D1 & D2)

- ◆ Align the two halves of the grass bag (6) (fig. D1).
- ◆ Press the two halves together.
- ◆ Lift the flap (16) and place the grass bag over the lugs (17) (fig. D2).

## Use

**Warning!** Let the appliance work at its own pace. Do not overload.

### Adjusting the height of cut (fig. E)

The height of cut is adjusted by changing the height of the wheels.

**Warning!** Disconnect the appliance from the mains and wait until the blade has stopped rotating before proceeding.

- ◆ Release the wheels (8) by swivelling them out of the locked position.
- ◆ Set the wheels to the desired height setting.
- ◆ Swivel the wheels back into the locked position, making sure that all wheels are set to the same height.

## Switching on and off

### Switching on

- ◆ Hold the handle with both hands and tilt it slightly downwards to raise the front of the appliance.
- ◆ Keep the lock-off button (2) depressed and pull the on/off switch (1) towards you.
- ◆ Release the lock-off button.
- ◆ Let the appliance return to its working position.

### Switching off

- ◆ To switch the appliance off, release the on/off switch.

**Warning!** Never attempt to lock a switch in the on position.

### Mowing (fig. F & G)

We recommend to use your mower as outlined in this section in order to achieve optimum results and to reduce the risk of cutting the mains cable.

- ◆ Place the bulk of the mains cable on the lawn, close to the starting point (position 1 in fig. F).
- ◆ Switch the appliance on as described above.

- ◆ Proceed as shown in fig. F:
  - ◆ Move from position 1 to position 2.
  - ◆ Turn right and proceed towards position 3.
  - ◆ Turn left and move towards position 4.
- ◆ Repeat the above procedure as required.

**Warning!** Do not work towards the cable as shown in fig. G.

### Emptying the grass bag

- ◆ When you see loose grass scattering from beneath the mower, empty the grass bag.

**Warning!** Never use the appliance without the grass bag.

### Hints for optimum use

- ◆ If the grass is longer than approx. 10 cm, make two cuts to obtain a better finish. First mow at maximum height of cut, then use a low or medium height of cut.
- ◆ In order to achieve optimum results, only mow dry grass.

## Maintenance

Your Black & Decker appliance has been designed to operate over a long period of time with a minimum of maintenance. Continuous satisfactory operation depends upon proper appliance care and regular cleaning.

- ◆ Keep the unit clean and dry.
- ◆ Regularly clean the ventilation slots with a clean, dry paint brush.
- ◆ Regularly use a blunt scraper to remove grass and dirt from the appliance.
- ◆ To clean the appliance, use only mild soap and a damp cloth. Never let any liquid get inside the tool and never immerse any part of the tool into liquid. Do not use any abrasive or solvent-based cleaner.

### Blade maintenance

- ◆ Regularly remove grass and dirt from the blade.
- ◆ At the beginning of the gardening season, carefully examine the condition of the blade.
- ◆ If the blade is very blunt, sharpen or replace the blade.
- ◆ If the blade is damaged or worn, fit a new blade as described below.

### Replacing the blade (fig. H)

A replacement blade is available from your Black & Decker dealer.

- GR298: cat. no. A6244
- GR348: cat. no. A6245

**Warning!** Observe the following precautions:

- ◆ Disconnect the appliance from the mains and wait until the blade has stopped rotating before proceeding.

- ◆ Be careful not to cut yourself. Use heavy-duty gloves or a cloth to grip the blade.
- ◆ Only use the specified replacement blade.
- ◆ Do not remove the impeller (18) for any reason.

To replace the blade:

- ◆ Turn the appliance onto its side.
- ◆ Grip the blade (19) with one hand.
- ◆ Use the spanner supplied to loosen and remove the blade nut (20).
- ◆ Replace the blade.
- ◆ Refit the washer (if fitted before) and nut.
- ◆ Securely tighten the blade nut.

## Troubleshooting

If your appliance seems not to operate properly, follow the instructions below. If this does not solve the problem, please contact your local Black & Decker repair agent.

**Warning!** Before proceeding, remove the plug from the socket.

### Motor buzzes but blade does not move

- ◆ Carefully remove any obstructions from the blade.

### No noise and blade does not move

- ◆ Check that the power cables are properly connected.
- ◆ Check the mains fuses.

### Mains plug replacement (U.K. & Ireland only)

If a new mains plug needs to be fitted:

- ◆ Safely dispose of the old plug.
- ◆ Connect the brown lead to the live terminal in the new plug.
- ◆ Connect the blue lead to the neutral terminal.

**Warning!** No connection is to be made to the earth terminal. Follow the fitting instructions supplied with good quality plugs. Recommended fuse: 13 A.

## Protecting the environment



Black & Decker provides a facility for recycling Black & Decker products once they have reached the end of their working life. This service is provided free of charge. To take advantage of this service please return your product to any authorised repair agent who will collect them on our behalf.

You can check the location of your nearest authorised repair agent by contacting your local Black & Decker office at the address indicated in this manual. Alternatively, a list of authorised Black & Decker repair agents and full details of our after-sales service and contacts are available on the Internet at: **www.2helpU.com**.

## Technical data

		GR 292	GR298	GR348
Voltage	V	230	230	230
Power input	W	800	900	1,000
No-load speed	min <sup>-1</sup>	3,000	3,000	3,000
Blade length	cm	30	30	34
Weight (excl. cable)	kg	15	15	16

## EC declaration of conformity

GR292/GR298/GR348

Black & Decker declares that these products conform to: 98/37/EC, 89/336/EEC, 73/23/EEC, EN 55014, EN 60335,

EN 61000, 2000/14/EC,

Lawn mower, L ≤ 50 cm, Annex VIII, No. 499

SNCH, L-5230 Sandweiler, Luxembourg

Level of sound pressure, measured according to 2000/14/EC:

$L_{pA}$  (sound pressure) 74 dB(A)

$L_{WA}$  (acoustic power) 88 dB(A)

$L_{WA}$  (guaranteed) 96 dB(A)

Hand/arm weighted vibration value according to EN 1032:

< 2.0 m/s<sup>2</sup>

Kevin Hewitt

Director of Consumer Engineering  
Spennymoor, County Durham DL16 6JG,

United Kingdom

1-12-2004

## Guarantee

Black & Decker is confident of the quality of its products and offers an outstanding guarantee. This guarantee statement is in addition to and in no way prejudices your statutory rights. The guarantee is valid within the territories of the Member States of the European Union and the European Free Trade Area.

If a Black & Decker product becomes defective due to faulty materials, workmanship or lack of conformity, within 24 months from the date of purchase, Black & Decker guarantees to replace defective parts, repair products subjected to fair wear and tear or replace such products to ensure minimum inconvenience to the customer unless:

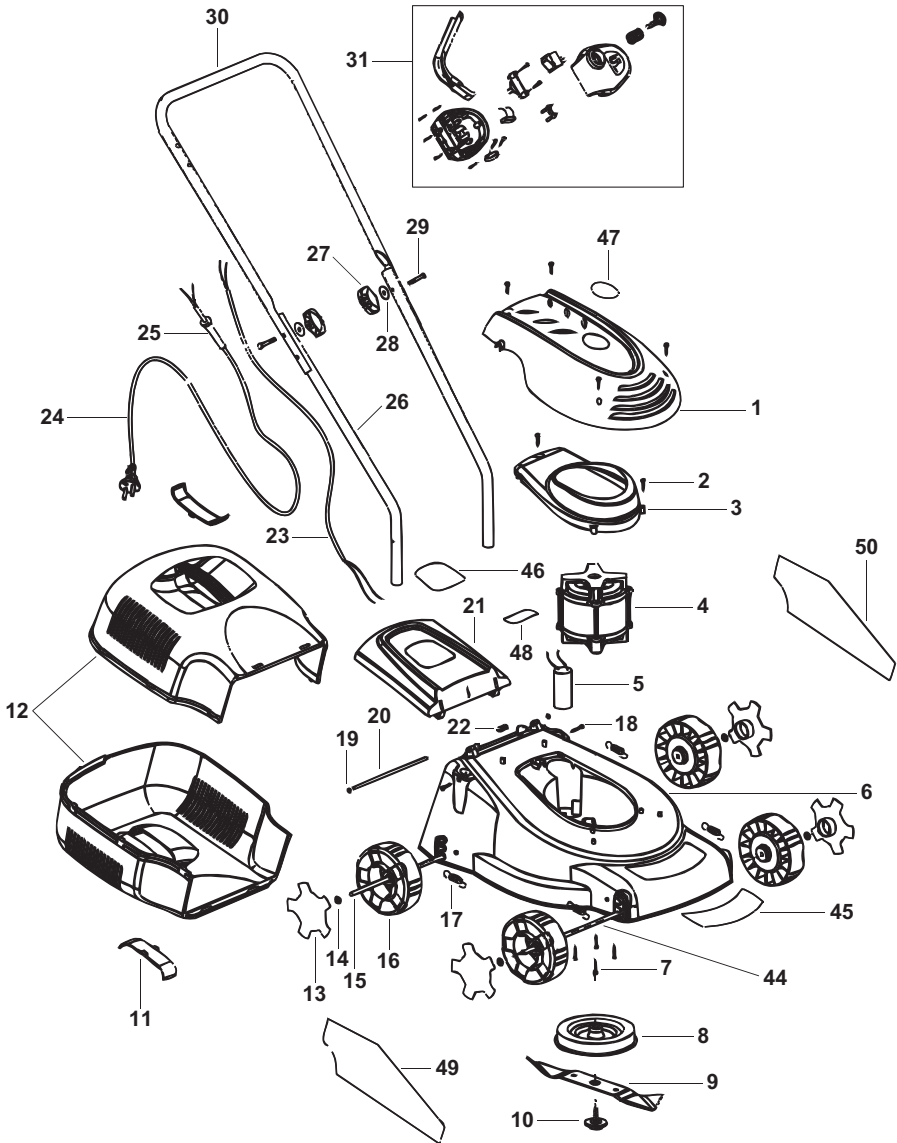
- ◆ The product has been used for trade, professional or hire purposes;
- ◆ The product has been subjected to misuse or neglect;
- ◆ The product has sustained damage through foreign objects, substances or accidents;
- ◆ Repairs have been attempted by persons other than authorised repair agents or Black & Decker service staff.



To claim on the guarantee, you will need to submit proof of purchase to the seller or an authorised repair agent. You can check the location of your nearest authorised repair agent by contacting your local Black & Decker office at the address indicated in this manual. Alternatively, a list of authorised Black & Decker repair agents and full details of our after-sales service and contacts are available on the Internet at:

**[www.2helpU.com](http://www.2helpU.com)**.

Please visit our website **[www.blackanddecker.co.uk](http://www.blackanddecker.co.uk)** to register your new Black & Decker product and to be kept up to date on new products and special offers. Further information on the Black & Decker brand and our range of products is available at **[www.blackanddecker.co.uk](http://www.blackanddecker.co.uk)**.





**Australia**

Black & Decker (Australia) Pty. Ltd. Tel. 03-8720 5100  
20 Fletcher Road, Mooroolbark, Fax 03-9727 5940  
Victoria, 3138

**New Zealand**

Black & Decker Tel. 09 579 7600  
81 Hugo Johnston Drive Fax 09 579 8200  
Penrose, Auckland, New Zealand

**United Kingdom**

Black & Decker Tel. 01753 511234  
210 Bath Road Fax 01753 551155  
Slough, Berkshire SL1 3YD Helpline 01753 574277

**Australia**

Black & Decker (Australia) Pty. Ltd. Tel. 03-8720 5100  
20 Fletcher Road, Mooroolbark, Fax 03-9727 5940  
Victoria, 3138

**New Zealand**

Black & Decker Tel. 09 579 7600  
81 Hugo Johnston Drive Fax 09 579 8200  
Penrose, Auckland, New Zealand

**United Kingdom**

Black & Decker Tel. 01753 511234  
210 Bath Road Fax 01753 551155  
Slough, Berkshire SL1 3YD Helpline 01753 574277