

BEPW1300
BEPW1700
BEPW2000

www.blackanddecker.eu



CAUTION Read the instructions before using the machine.

Fig. A

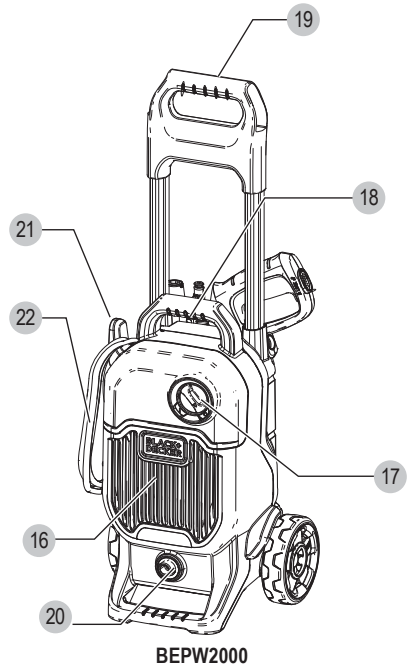
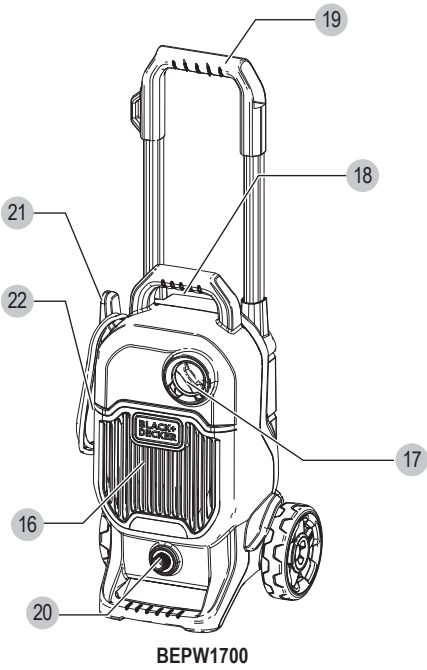
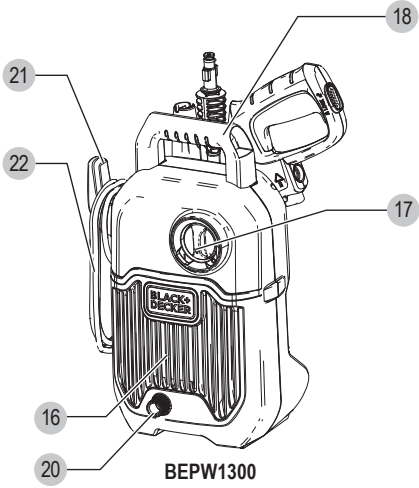


Fig. A

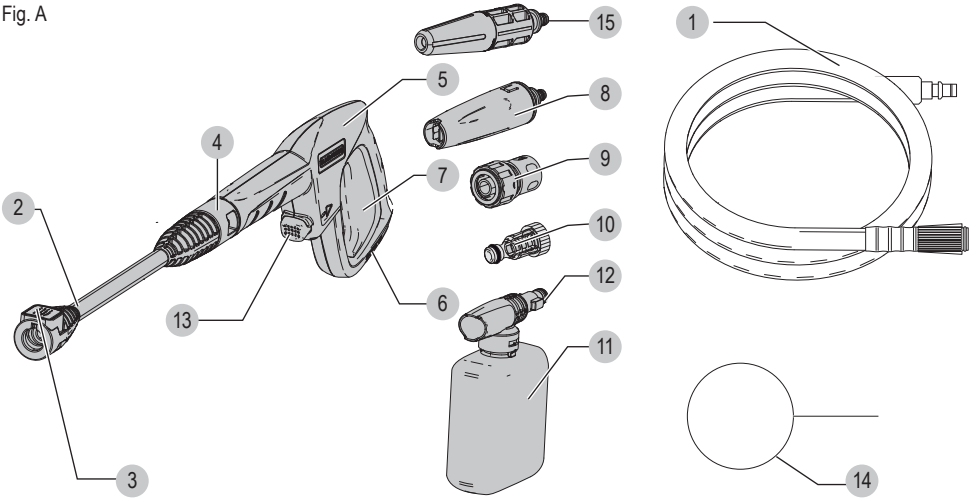


Fig. B

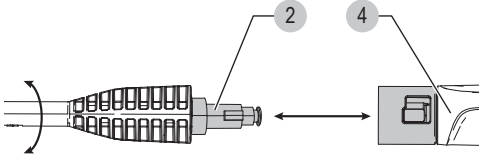


Fig. C

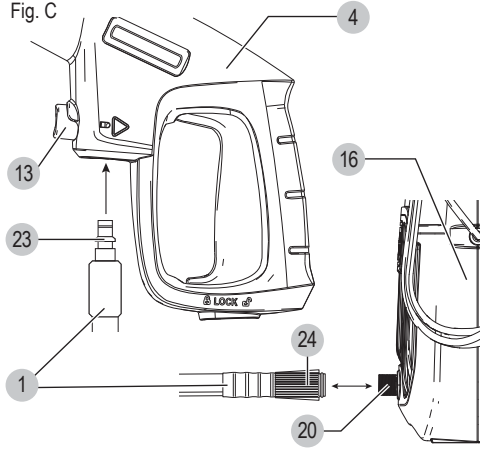


Fig. D

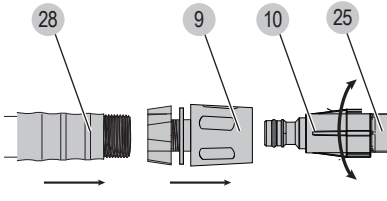


Fig. E

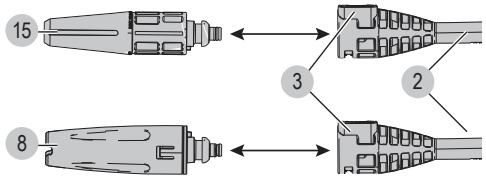


Fig. E1

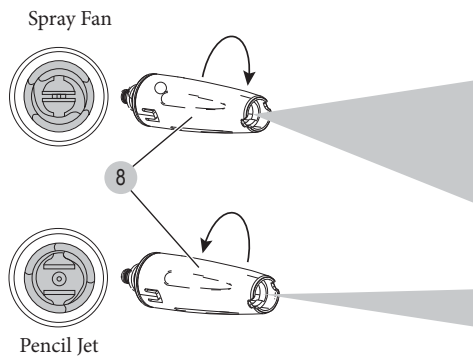


Fig. E2

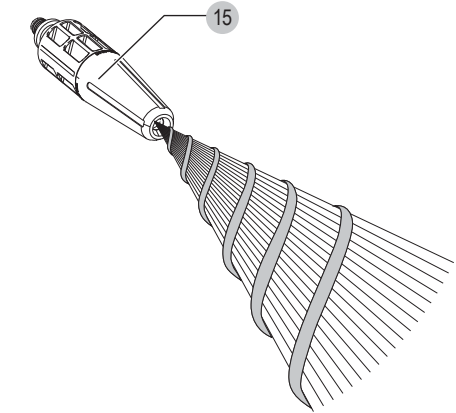


Fig. F

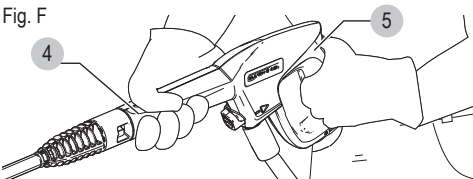


Fig. G

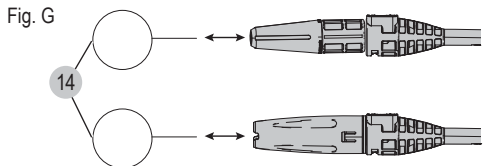


Fig. H

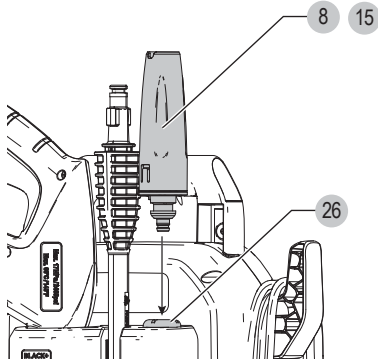


Fig. I

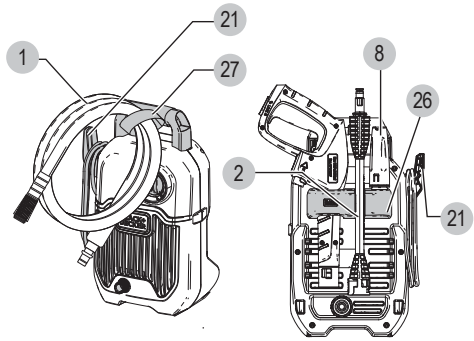


Fig. J1

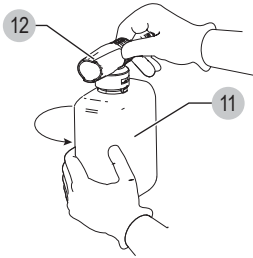


Fig. J2

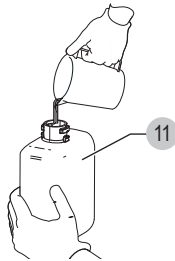


Fig. J3

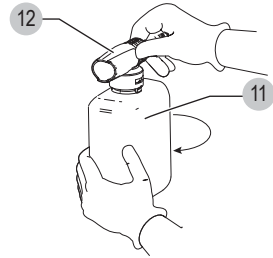


Fig. J4

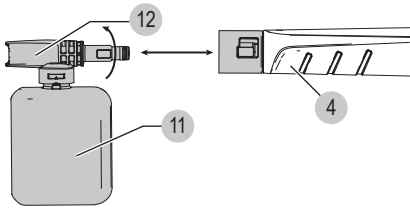


Fig. K1

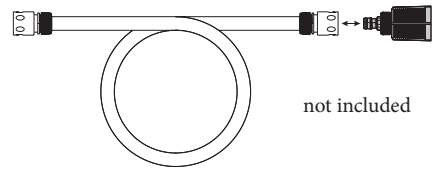


Fig. K2

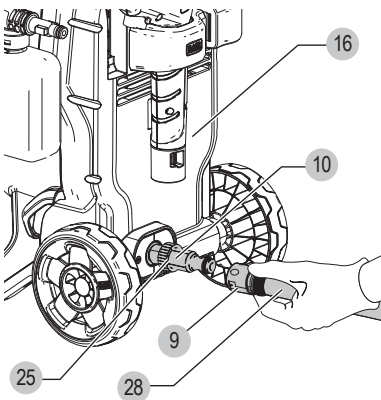


Fig. K3

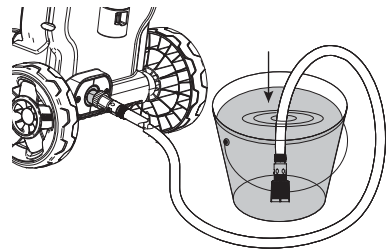


Fig. K4

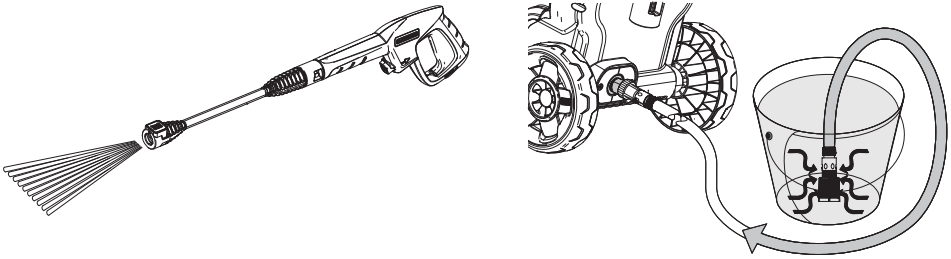
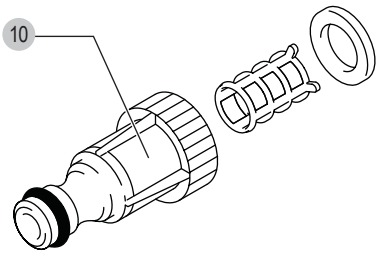


Fig. L



Intended use

This pressure washer is intended for household use for cleaning boats, cars, decks, driveways, grills, house siding, motorcycles, patios, and outdoor furniture.

Do not let children come into contact with the tool. Supervision is required when inexperienced operators use this tool.

This tool is intended for consumer use only.

Safety instructions

IMPORTANT SAFETY INSTRUCTIONS



WARNING: When using this pressure washer, basic safety precautions should always be followed including the following:

- ♦ If the supply cord is damaged, it must be replaced by the manufacturer or an authorised BLACK+DECKER Service Centre in order to avoid a hazard.
- ♦ This machine is not intended for use by persons (including children) with reduced physical, sensory or mental capabilities, or lack of experience and knowledge.
- ♦ Children should be supervised to ensure that they do not play with the appliance.
- ♦ Read all the instructions before using the product.
- ♦ To reduce the risk of injury, close supervision is necessary when a product is used near children.
- ♦ Know how to stop the product and bleed pressures quickly. Be thoroughly familiar with the controls.
- ♦ Stay alert – watch what you are doing.
- ♦ Do not operate the product when fatigued or under the influence of alcohol or drugs.
- ♦ Keep operating area clear of all persons and animals.
- ♦ Do not overreach or stand on unstable support. Keep good footing and balance at all times.
- ♦ Follow the maintenance instructions specified in the manual.
- ♦ The electric supply connection shall be made by a qualified electrician and comply with IEC 60364-1. It is recommended that the electric supply to this machine should include either a residual current device that will interrupt the supply if the leakage current to earth exceeds 30 mA for 30 ms or a device that will prove the earth circuit.



WARNING: Risk of injection or injury – do not direct discharge stream at persons or animals.



WARNING: Read this entire manual before attempting to assemble, operate or install the product.



WARNING: This unit was designed for specific applications. It should not be modified and/or used for any application other than that which it was designed.

NOTICE: Always store your pressure washer in a location where the temperature will not fall below

40 °F (4 °C). freeze damage is not covered by the warranty.

1. Do not touch plug or outlet with wet hands.
2. **Avoid accidental starts.** Move switch on unit to OFF position before connecting or disconnecting cord to electrical outlets.
3. Water spray must never be directed towards any electric wiring or directly towards the pressure washer machine itself or fatal electric shock may occur.
4. **Never carry your pressure washer by the cord.** Do not pull on the cord to disconnect from the outlet.
5. To prevent damage, the cord should not be crushed, placed next to sharp objects or near a heat source.
6. **Check power cords before using.** Damaged cords can reduce performance of pressure washer or cause a fatal electrical shock
7. **The narrow pin point stream is very powerful.** It is not recommended for use on painted surfaces, wood surfaces or items attached with an adhesive backing.
8. Keep operating area clear of all persons and animals.
9. Always use both hands when operating pressure washer to maintain complete control of the wand.
10. **Do not touch nozzle or water spray while operating.** Never place hands in front of nozzle.
11. **Wear safety goggles while operating.** Wear protective clothing and footwear to protect against accidental spraying.
12. Disconnect power plug from the outlet when not in use and prior to the detaching of the high pressure hose.
13. **Never tie knots or kink the high pressure hose as damage could result. Inspect the high-pressure hose regularly. Replace the hose immediately if it is damaged, worn or shows any signs of cracks, bubbles, pinholes, or other leakage.** Never grasp a high-pressure hose that is leaking or damaged.
14. **Do not operate or store this product in temperatures below 40 °F (4 °C).** Freeze damage is not covered by the warranty.
15. **Carefully observe all chemical instructions and warnings before using. Use only approved pressure washer cleaners. Do not use bleach, chlorine, or any cleaners containing acids. Always follow manufacturer's label recommendations for proper use of cleaners.** Always protect eyes, skin and respiratory system from cleaners.
16. **The pressure washer should not be used in areas where gas vapors may be present.** An electric spark could cause an explosion or fire.
17. To minimize the amount of water getting into the pressure washer, the unit should be placed as far as possible from the cleaning site during operation.

18. To prevent accidental discharge, the spray gun should be secured by locking the trigger when not in use.
19. To allow free air circulation, the pressure washer should NOT be covered during operation.
20. **Never touch, grasp or attempt to cover a pinhole or similar water leak on the high-pressure hose.**
The stream of water IS under high pressure and WILL penetrate skin.
21. **Use only hoses and accessories rated for pressure higher than your pressure washer's PSI / Bar.**
Never use with any other manufacturer's accessories or components.
22. Never defeat the safety features of this product.
23. Do not operate machine with missing, broken or unauthorized parts.
24. Never spray flammable liquids or use pressure washer in areas containing combustible dust, liquid, or vapors.



WARNING : This machine has been designed for use with the cleaning agent supplied or recommended by the manufacturer. The use of other cleaning agents or chemicals may adversely affect the safety of the machine.



WARNING: During use of high pressure cleaners, aerosols may be formed. Inhalation of aerosols can be hazardous to health.



WARNING: High pressure jets can be dangerous if subject to misuse. The jet must not be directed at persons, live electrical equipment or the machine itself.



WARNING: Do not use the machine within range of persons unless they wear protective clothing.



WARNING: Do not direct the jet against yourself or others in order to clean clothes or foot-wear.



WARNING: Risk of explosion – Do not spray flammable liquids.



WARNING: High pressure cleaners shall not be used by children or untrained personnel.



WARNING: High pressure hoses, fittings and couplings are important for the safety of the machine. Use only hoses, fittings and couplings recommended by the manufacturer.



WARNING: To ensure machine safety, use only original spare parts from the manufacturer or approved by the manufacturer.



WARNING: Water that has flowed through backflow preventers is considered to be nonpotable.



WARNING: the machine shall be disconnected from its power source during cleaning or maintenance and when replacing parts.



WARNING: Do not use the machine if a supply cord or important parts of the machine are damaged, e.g. safety devices, high pressure hoses, trigger gun.



WARNING: Inadequate extension cords can be dangerous. If an extension cord is used, it shall be suitable for outdoor use, and the connection has to be kept dry and off the ground. It is recommended that this is accomplished by means of a cord reel which keeps the socket at least 60 mm above the ground.



WARNING : Always switch off the mains disconnecting switch when leaving the machine unattended.



WARNING: Depending on the application, shielded nozzles can be used for high pressure cleaning, which will reduce the emission of hydrous aerosols dramatically. However, not all applications allow the use of such a device. If shielded nozzles are not applicable for the protection against aerosols, a respiratory mask of class FFP 2 or equivalent may be needed, depending on the cleaning environment.

Safety of others

- ◆ This tool is not intended for use by persons (including children) with reduced physical, sensory or mental capabilities, or lack of experience and knowledge, unless they have been given supervision or instruction concerning use of the tool by a person responsible for their safety.
- ◆ Children should be supervised to ensure that they do not play with the appliance.

Vibration

The declared vibration emission values stated in the technical data and the declaration of conformity have been measured in accordance with a standard test method provided by EN60335-2-79 and may be used for comparing one tool with another. The declared vibration emission value may also be used in a preliminary assessment of exposure.



WARNING: The vibration emission value during actual use of the Pressure Washer can differ from the declared value depending on the ways in which the tool is used. The vibration level may increase above the level stated.

When assessing vibration exposure to determine safety measures required by 2002/44/EC to protect persons regularly using power tools in employment, an estimation of vibration exposure should consider, the actual conditions of use and the way the tool is used, including taking account of all parts of the operating cycle such as the times when the tool is switched off and when it is running idle in addition to the trigger time.

Labels on tool

The following symbols are shown on the tool along with the date code:



Warning! To reduce the risk of injury, the user must read the instruction manual.



Wear eye protection



Wear ear protection.



Machine not suitable for connection to the potable water mains.



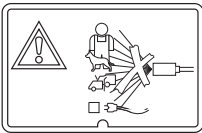
Directive 2000/14/EC guaranteed sound power.
BEP1300



Directive 2000/14/EC guaranteed sound power.
BEP1700



Directive 2000/14/EC guaranteed sound power.
BEP2000



Never direct the water jet at people, animals, the machine or electric components

Electrical safety



This tool is double insulated; therefore no earth wire is required. Always check that the power supply corresponds to the voltage on the rating plate.

Features

1. High pressure hose
2. Spray wand
3. Nozzle button
4. Spray handle
5. Spray handle grip
6. Trigger lock-off
7. Trigger
8. Spray fan to pencil jet nozzle
9. Hose connector
10. Filter
11. Soap bottle
12. Soap bottle applicator
13. Hose connect button
14. Nozzle cleaning tool
15. Turbo nozzle (BEPW2000)
16. Pressure washer unit
17. ON/OFF dial
18. Handle
19. Retractable handle (BEPW1700, BEPW2000)
20. High pressure water outlet
21. Cord retaining hook
22. Power cord

Assembly



WARNING: Before attempting any of the following operations, make sure that the tool is switched off and unplugged.

Attaching Spray Handle (Fig. B)

1. To connect the spray handle (4) to the spray wand (2), insert the end of the spray handle onto the end of the spray wand.
2. Press in and turn the spray handle counterclockwise to lock it into position.

Attaching High Pressure Hose (Fig. C)



NOTICE: Never pull high pressure hose or water supply hose to move pressure washer. This could damage hose and/or pump inlet and/or pump outlet.

1. To connect the high pressure hose (1) to the spray handle (4), depress the hose connect button (13) while clicking the hose end (23) into the spray handle. Release the hose connect button when the hose end has clicked into position.
2. To connect the high pressure hose to the pressure washer unit (16), screw the hose collar (24) onto the high pressure water outlet (20).

NOTE: Uncoil the high pressure hose before installation to prevent kinks.

NOTE: Avoid cross threading when installing the hose. Cross threading will cause leaks.

Attaching Garden Hose (Fig. D, K2)

NOTE: Before connecting the garden hose to the pressure washer unit, run water through the garden hose for thirty seconds to clear any debris from inside the garden hose.

1. To connect the garden hose to the pressure washer unit (16), screw the filter (10) to the water intake (25).

2. Connect the garden hose to the hose connector (9) by loosening the screw of the garden connector and attaching the hose onto the connector. Connect the garden hose to the hose connector (9) by screwing the garden hose to the garden connector.
3. Attach the garden hose (28) mounted onto the garden connector to the filter (10) until it "clicks".

NOTE: Always disconnect the garden hose after usage.

Attaching Nozzles (Fig. A, E)



DANGER: Risk of fluid injection. Do not direct discharge stream toward persons, unprotected skin, eyes or any pets or animals. Serious injury will occur.



WARNING: Flying objects could cause risk of serious injury. DO NOT attempt to change nozzles while pressure washer is running. Turn pressure washer unit OFF before changing nozzles.

1. To connect a nozzle to the spray wand (2), depress the nozzle button (3) on the spray wand and insert the appropriate nozzle.
2. Release the button to lock the nozzle in place.
3. Give the nozzle a firm tug to ensure the nozzle is locked into place.

Spray Fan to Pencil Jet Nozzle

Adjusting Fan Pattern (Fig. E1)

The angle of spray coming out of the spray wand may be adjusted by rotating the nozzle. This will vary the spray pattern from approximately a 0 ° narrow high impact stream to a 60 ° wide fan spray.

A wide fan pattern distributes the impact of the water over a larger area, resulting in excellent cleaning action with a reduced risk of surface damage. Large surface areas can be cleaned more quickly using a wide fan pattern.

A narrow pencil jet stream distributes the impact of the water in a concentrated area, resulting in a high impact force on the cleaning surface. Use a narrow pencil jet stream for deep cleaning in a concentrated area. However, use it cautiously, as it may damage some surfaces.

Attaching Soap Bottle (Fig. J4)

To connect the soap bottle (11) to the spray handle (4), insert the end of the soap bottle inside the spray handle and turn the soap bottle counterclockwise to lock it into position.

NOTE: The wand and soap bottle cannot be installed at the same time.

NOTE: The soap bottle should be positioned underneath the barrel of the spray handle. Do not position the soap bottle above the barrel of the plastic gun as this will lead to soap dripping on the barrel.

Spray fan to pencil jet nozzle	For gentle wide area cleaning.
Turbo Nozzle	For abrasive cleaning. (Included with BEPW2000 model only)

Operation



WARNING: To reduce the risk of serious personal injury, turn unit off and disconnect it from power source before making any adjustments or removing/installing attachments or accessories. An accidental start-up can cause injury.

Proper Hand Position (Fig. F)



WARNING: To reduce the risk of serious personal injury, ALWAYS use proper hand position as shown.



WARNING: To reduce the risk of serious personal injury, ALWAYS hold securely in anticipation of a sudden reaction.

Proper hand position requires one hand on the spray handle grip (5) and the other hand on the spray handle (4).

Pressure Washing

Preparing Surface for Cleaning

- Remove objects from the area which could create a hazard such as children's toys or outdoor furniture.
- Insure that all doors and windows are closed tight.
- Protect all plants and trees in the adjacent area with a drop cloth ensuring that they will not be harmed by any overspray.
- Pre-rinse cleaning area with fresh water.
- Use only detergents formulated for pressure washers.
- Always test detergent in an inconspicuous area before use.

Preparing Pressure Washer Unit for Use (K1, K2, K3, K4)



DANGER: Risk of fluid injection and laceration. When using the high-pressure setting, DO NOT allow the high-pressure spray to come in contact with unprotected skin, eyes, or with any pets or animals. Serious injury will occur.



CAUTION: Before operation:

1. Connect the garden hose to a water supply. Water can be drawn from a faucet or another water supply. Refer to **Self Priming** under **Preparing Pressure Washer Unit for Use**.
2. Connect the high pressure hose to the pressure washer and the spray handle. For instructions on connecting the high pressure hose to the pressure washer and spray

handle, please refer to **Attaching High Pressure Hose under Assembly and Adjustments**.

3. Connect the garden hose to the pressure washer. For instructions on connecting the water supply to the pressure washer, please refer to **Attaching Garden Hose under Assembly and Adjustments**.
4. Plug the power cord into an appropriate power source.

Preparing Spray Handle (Fig. A)

IMPORTANT: Before turning on the pressure washer unit, disengage the trigger lock-off (6) and squeeze the trigger (7).

1. Disengage the trigger lock-off (6) .
2. Squeeze the trigger (7). Hold the trigger for 30 seconds to purge the system of air.
3. If air is still found in the water stream, continue to run water through the spray handle.

Water Connection



WARNING: According to the applicable regulations, the appliance must never be used on the drinking water network without a system separator. Use a system separator as per IEC 61770 Type BA.

Water flowing through a system separator is not considered drinkable.



- Comply with the regulations of your water supply company.
- All connecting hoses must have properly sealed joints.
- Make sure the supply hose is at least 12.7 mm in diameter and is reinforced.
- The appliance should never be used on the drinking water supply without a backflow valve. Water that has passed the backflow valve is considered undrinkable.

Cleaning a Surface (Fig. A)

1. To start the pressure washer, rotate the ON/OFF dial (17) to the ON position.
2. Confirm that the water faucet is open or use any other water source so that water will be supplied to the pressure washer unit.
3. The best angle for spraying water against a cleaning surface is 45 ° .
 - Spraying head on tends to cause dirt particles to imbed in the surface.
 - When working on vertical surfaces, it is best to apply detergent starting at the bottom and working upwards which will prevent the detergent from sliding down and causing streaks.
4. To disengage the spray handle, release the trigger.

NOTE: Excessive pump pressure may be the result of a

clogged nozzle. Always turn OFF the pressure washer unit and unplug the unit before attempting to unclog a nozzle.

Detergents (J1, J2, J3, J4)

For steps on attaching the detergent/soap bottle, please refer to **Attaching Soap Bottle under Assembly and Adjustments**.

The use of detergents can dramatically reduce cleaning time and assist in the removal of difficult stains. Some detergents have been customized for pressure washer use on specific cleaning tasks.

The cleaning power of detergents comes from applying them to a surface and giving the chemicals time to break down the dirt and grime. Detergents work best when applied at low pressure.

The combination of chemical action and high pressure rinsing is very effective.

On vertical surfaces, apply the detergent starting at the bottom and work your way upward. This will prevent the detergent from sliding down and causing streaks. High pressure rinsing should also progress from the bottom to top. On particularly tough stains, it may be necessary to use a brush in combination with detergents and high pressure rinsing.

Moving the Pressure Washer (Fig. A)

1. Turn OFF the pressure washer unit (16) by rotating the ON/OFF dial (17) to the OFF position and then turn OFF the water supply.
2. Point the spray wand (2) in a safe direction and pull the trigger (7) to release remaining water pressure.
3. When the spray wand is completely empty, lift the pressure washer by the handle (18).

Shutdown (Fig. A, D)

1. Turn OFF the pressure washer unit (16) by rotating the ON/OFF dial (17) to the OFF position and unplug the cord from the outlet.
2. Turn OFF water at the faucet or disconnect from any other water source.
3. Discharge residual pressure by squeezing the trigger (7) until no more water comes out of the spray wand (2).
4. Engage the spray trigger lock-off (6).
5. Disconnect the garden hose (28) from the water intake (25).
6. Disconnect the high pressure hose (1) from the high pressure water outlet (20) and drain hose.

Self Priming (Fig. A, C, D, K1, K2, K3, K4)

1. Connect the inlet hose to the pressure washer. Refer to **Attaching Garden Hose under Assembly and Adjustments**.
2. Place the free end of the hose with filter attached into the alternative water source (e.g. bucket, etc.)

3. Connect the high pressure hose to the spray handle. Please refer to **Attaching High Pressure Hose** under **Assembly and Adjustments**.
4. Plug the pressure washer unit into a power source.
5. Actuate the pressure washer by rotating the ON/OFF dial to the ON position.
6. Turn OFF the pressure washer as soon as water is spraying out of the outlet tube of the unit.
7. Unplug the pressure washer unit from the power source.
8. Assemble the high pressure hose to the outlet tube of the pump.
9. Plug the pressure washer unit into a power source.
10. Actuate the pressure washer by rotating the ON/OFF dial to the ON position.
11. Actuate the trigger of the spray handle to start cleaning work.

Maintenance

Your BLACK+DECKER tool has been designed to operate over a long period of time with a minimum of maintenance. Continuous satisfactory operation depends upon proper tool care and regular cleaning.



Warning! Before performing any maintenance on the tool.

- ♦ Regularly clean the ventilation slots in your tool using a soft brush or dry cloth.
- ♦ Regularly clean the motor housing using a damp cloth. Do not use any abrasive or solvent-based cleaner.

Cleaning

Nozzle Cleaning (Fig. A, G)

If the nozzle becomes clogged with foreign materials, such as dirt, excessive pressure may develop. If the nozzle becomes partially clogged or restricted, the pump pressure will pulsate. Clean the nozzle immediately using the nozzle cleaner.

1. Turn OFF and unplug the pressure washer unit (16).
2. Turn OFF the water supply.
3. Pull trigger (7) on spray handle (4) to relieve any water pressure.
4. Remove the nozzle from the spray wand (2) by depressing the button (3).
5. Using the nozzle cleaning tool (14), unplug any debris from the nozzle.
6. Run water from a faucet or garden hose through the nozzle.

Filter Cleaning (Fig. A, L)

Inspect the filter (10) before each use and clean if necessary. Remove the filter element and run under clear water to remove any debris.

Storage (Fig. H, I)

- Store in a dry, covered location above freezing temperature. STORE INDOORS.
- Always completely empty water from high pressure hose, pressure washer unit, nozzles, and spray wand.
- Nozzles can be stored in the unit as shown in Fig. H.
NOTE: The turbo (BEPW2000) or pen to fan nozzles can be stored on the wand.
- Power cord can be stored coiled up and secured with the cord retaining hook (21) as shown in Fig. I.
- High pressure hose (1) can be stored coiled up and secured on the handle (18) with the help of the hook and latch strap (27) as shown in Fig. I.
- The spray handle (4) can be stored onto the rear of the unit using the bracket (26) as shown in Fig. I.
- The spray wand (2) can be stored onto the rear of the unit using the bracket (26) as shown in Fig. I.

Mains plug replacement (U.K. & Ireland only)

If a new mains plug needs to be fitted:

- ♦ Safely dispose of the old plug.
- ♦ Connect the brown lead to the live terminal in the new plug.
- ♦ Connect the blue lead to the neutral terminal.



Warning! No connection is to be made to the earth terminal. Follow the fitting instructions supplied with good quality plugs.

Recommended fuse: 13 A.

Protecting the environment



Separate collection. Products and batteries marked with this symbol must not be disposed of with normal household waste.

Products and batteries contain materials that can be recovered or recycled, reducing demand for raw materials. Please recycle electrical products and batteries according to local provisions. Further information is available at www.2helpU.com

Technical data

	BEPW1300	BEPW1700	BEPW2000
Type	1	1	1
Power	1300W	1700W	2000W
Rated Flow Rate	5.2 L/min	5.5 L/min	5.8 L/min
Max Flow Rate	6.6 L/min	6.8 L/min	7.5 L/min
Rated Pressure (Bar/PSI/MPa)	74 / 1073 / 7.4	83.5 / 1211 / 8.35	105 / 1523 / 10.5
Max Pressure (Bar/PSI/MPa)	110 / 1600/ 11	125 / 1800 / 12.5	150 / 2100 / 15
Water Temp	50° C	50° C	50° C
Inlet Water	Cold Clean water	Cold Clean water	Cold Clean water
Guaranteed sound power level L_{WA} dB(A)	92	91	93
Maximum Input Pressure MPa	1.0	1.0	1.0
Motor Protection	IPX5	IPX5	IPX5
Motor Type	Brushed	Brushed	Brush
Pump	Aluminum	Aluminum	Aluminum
Self Priming	Yes	Yes	Yes
Hose Length	3M	5M	6M
Integrated Filter	Yes	Yes	Yes
Weight	4.9KG	6.3 KG	8.2 KG
Repulsive Force of the Gun to the Maximum Pressure	21N	21N	21N

N&V test data:

BEPW1300:

Emission sound pressure level L_{PA} : 77.0 dB(A); K=3.0 dB(A)Measured sound power level: L_{WA} : 89.0 dB(A); K=2.8 dB(A)Vibration emission value ah: less than 2.5 m/s²; K=0.6 m/s²

BEPW1700:

Emission sound pressure level L_{PA} : 75 dB(A); K= 3 dB(A)Measured sound power level: L_{WA} : 88 dB(A); K= 2.2 dB(A)

Vibration:

Vibration emission value ah: less than 2.5m/s²; K= 0.5m/s²

BEPW2000:

Emission sound pressure level L_{PA} : 78 dB(A); K=3.0 dB(A)Measured sound power level: L_{WA} : 91.0 dB(A); K=1.4 dB(A)Vibration emission value ah: less than 2.5 m/s²; K=0.6 m/s²

EC declaration of conformity

MACHINERY DIRECTIVE
OUTDOOR NOISE DIRECTIVE

BEPW1300, BEPW1700, BEPW2000 Pressure Cleaner

Black & Decker declares that these products described under "technical data" are in compliance with:
2006/42/EC, EN 60335-1:2012+A11:2014+A13:2017+A1:2019 +A14:2019+A2:2019, EN60335-2-79:2012.
2000/14/EC, Annex V

BEPW1300:

Measured sound power level: L_{WA} : 89.0 dB(A); K=2.8 dB(A)The guaranteed sound power level L_{WA} : 92 dB(A)

BEPW1700:

Measured sound power level: L_{WA} : 88 dB(A); K= 2.2 dB(A)The guaranteed sound power level L_{WA} : 91 dB(A)

BEPW2000:

Measured sound power level: L_{WA} : 91.0 dB(A); K=1.4 dB(A)The guaranteed sound power level L_{WA} : 93 dB(A)

These products also comply with Directive 2014/30/EU and 2011/65/EU. For more information, please contact Black & Decker at the following address or refer to the back of the manual. The undersigned is responsible for compilation of the technical file and makes this declaration on behalf of Black & Decker.

Patrick Diepenbach
General Manager, Benelux
Black and Decker,
Egide Walschaertsstraat 14-18
2800 Mechelen, Belgium
30.12.2021

**Declaration of conformity
The Supply of Machinery (Safety)
Regulations 2008**

**UK
CA**

BEPW1300, BEPW1700, BEPW2000 Pressure Cleaner
Black & Decker declares that these products described under
"technical data" are in compliance with:

The Supply of Machinery (Safety) Regulations, 2008, S.I.
2008/1597 (as amended):

EN 60335-1:2012+A11:2014+A13:2017+A1:2019+A14:2019
+A2:2019, EN60335-2-79:2012.

The Noise Emission in the Environment by Equipment for use
Outdoors Regulations 2001, S.I. 2001/1701 (as amended),
Schedule 8.

BEPW1300:

Measured sound power level: L_{WA} : 89.0 dB(A); K=2.8 dB(A)
The guaranteed sound power level L_{WA} : 92 dB(A)

BEPW1700:

Measured sound power level: L_{WA} : 88 dB(A); K= 2.2 dB(A)
The guaranteed sound power level L_{WA} : 91 dB(A)

BEPW2000:

Measured sound power level: L_{WA} : 91.0 dB(A); K=1.4 dB(A)
The guaranteed sound power level L_{WA} : 93 dB(A)

These products conform to the following UK Regulations:
Electromagnetic Compatibility Regulations, 2016,
S.I.2016/1091 (as amended).

The Restriction of the Use of Certain Hazardous Substances
in Electrical and Electronic Equipment Regulations 2012, S.I.
2012/3032 (as amended).

For more information, please contact Black & Decker at the
following address or refer to the back of the manual.

The undersigned is responsible for compilation of the technical
file and makes this declaration on behalf of Black & Decker.



Paul Featherstone
Product Director – Outdoor Products Group
Black and Decker UK,
270 Bath Road, Slough
Berkshire, SL1 4DX
England
30.12.2021

Guarantee

Black & Decker is confident of the quality of its products and offers consumers a 24 month guarantee from the date of purchase. This guarantee is in addition to and in no way prejudices your statutory rights. The guarantee is valid within the territories of the Member States of the European Union, European Free Trade Area and the United Kingdom.

To claim on the guarantee, the claim must be in accordance with Black & Decker Terms and Conditions and you will need to submit proof of purchase to the seller or an authorised repair agent. Terms and conditions of the Black & Decker 2 year guarantee and the location of your nearest authorised repair agent can be obtained on the Internet at www.2helpU.com, or by contacting your local Black & Decker office at the address indicated in this manual.

Please visit our website www.blackanddecker.co.uk to register your new Black & Decker product and receive updates on new products and special offers.

TROUBLESHOOTING



WARNING: Risk of Unsafe Operation. Before servicing unit unplug or disconnect electrical supply, turn water supply off, discharge residual pressure, and engage spray handle lock-off.

PROBLEM	CAUSE	CORRECTION
Motor does not start.	Unit not plugged in.	Plug in power cord.
	ON/OFF switch is in the OFF position.	Turn switch to the "ON" position.
	Wand trigger not being squeezed.	Squeeze trigger with switch in "ON" position.
Unit does not reach high pressure.	Water faucet not fully turned on.	Open water valve fully.
	Water inlet filter clogged.	Remove filter and rinse to clean.
	Nozzle worn.	Replace with new nozzle.
	Pump is sucking air.	Check that hoses and fittings are air tight. Turn OFF machine and purge pump by squeezing trigger gun until a steady flow of water emerges from the nozzle.
	Water supply restricted.	Check water hose for kinks, leaks and blockage.
	Unit is not properly self primed	Refer to Self Priming under Assembly and Adjustments
Output pressure varies high/low.	Not enough inlet water supply.	Turn water on full force - check hose for leaks and kinks.
	Pump is sucking air.	Check that hoses and fittings are air tight. Turn OFF machine and purge pump by squeezing trigger gun until a steady flow of water emerges from the nozzle.
	Water inlet screen clogged.	To unclog, rinse OFF with water.
	Discharge nozzle is obstructed.	Blow out or remove debris.
Garden hose connection leaks.	Loose fittings.	Tighten fittings.
	Missing/worn rubber washer.	Replace washer in hose adapter.
Spray wand leaks.	Spray wand not properly attached.	Insert the spray wand into the spray handle. Push in and turn to lock spray wand into place.
	Broken O-ring.	Contact your local dealer.
Pump is excessively noisy.	Pump is sucking air.	Check that hoses and fittings are air tight. Turn OFF machine and purge pump by squeezing trigger gun until a steady flow of water emerges from the nozzle.
Water leaks from pump.	Loose fittings.	Check that all fittings are tight.
	Water seals are damaged or worn.	Contact your local dealer.
Oil leaks.	Oil seals are damaged or worn.	Contact your local dealer.
Motor buzzes but fails to run.	Supply voltage below minimum.	Verify that only the pressure washer is running on this circuit.
	System has residual pressure.	Turn unit off, squeeze trigger on spray wand to release pressure, then turn unit on.
	Voltage loss due to extension cord.	Plug directly into outlet.
	Cleaner not used for long periods.	Contact your local dealer.
No detergent.	Detergent container is empty.	Add more detergent.
	Detergent bottle or suction tube not properly connected.	Check connections.
	Detergent is too thick.	Use detergent recommended for use in pressure washers only.
	Filter on detergent suction tube is clogged.	Run warm water through filter to remove debris.
	Damaged or clogged detergent suction tube.	Remove obstruction or replace detergent suction tube.
	Discharge nozzle is obstructed.	Blow out or remove debris.

Назначение

Данная мойка высокого давления предназначена для бытового использования для чистки лодок, автомобилей, палуб, подъездных дорог, решеток, обшивки домов, мотоциклов, террас и садовой мебели.

Не разрешайте детям прикасаться к инструменту.

Использование инструмента неопытными пользователями должно происходить под контролем опытного лица.

Данный инструмент предназначен только для бытового использования.

Правила техники безопасности

ВАЖНЫЕ ПРАВИЛА ТЕХНИКИ БЕЗОПАСНОСТИ



ВНИМАНИЕ: При использовании этой мойки высокого давления соблюдайте основные меры предосторожности, включая следующее:

- ♦ Если поврежден кабель питания, его нужно заменить у производителя или в авторизованном сервисном центре BLACK+DECKER, чтобы избежать рисков.
- ♦ Данный инструмент не предназначен для использования лицами (включая детей) с ограниченными физическими, психическими и умственными возможностями, не имеющими опыта и знаний.
- ♦ Не позволяйте детям играть с данным инструментом.
- ♦ Перед использованием инструмента прочтите все инструкции по эксплуатации.
- ♦ Для снижения риска травмирования необходим строгий контроль, если рядом с инструментом во время использования находятся дети.
- ♦ Знайте, как быстро остановить инструмент и сбросить давление. Внимательно ознакомьтесь с элементами управления.
- ♦ Будьте внимательны, следите за тем, что делаете.
- ♦ Не работайте инструментом, когда вы устали или находитесь под воздействием алкоголя или наркотических средств.
- ♦ Следите за тем, чтобы в рабочей зоне не было людей и животных.
- ♦ Не перенапрягайтесь и не стойте на неустойчивой опоре. Всегда твердо стойте на ногах, сохраняя равновесие.
- ♦ Следуйте инструкциям по техническому обслуживанию, указанным в руководстве по эксплуатации.
- ♦ Подключение к электросети должно выполняться квалифицированным электриком в соответствии с IEC 60364-1. Рекомендуется, чтобы электропитание данного инструмента включало в себя либо устройство защитного отключения, которое прерывает

подачу питания, если ток утечки на землю превышает 30 мА в течение 30 мс, либо устройство, которое контролирует цепь заземления.



ВНИМАНИЕ: Не направляйте выходящий поток на людей или животных, так как это влечет за собой риск получения травм.











ВНИМАНИЕ: Перед сборкой, эксплуатацией или установкой инструмента полностью прочтите данное руководство.



ВНИМАНИЕ: Данный инструмент был разработан для конкретных применений. Его нельзя модифицировать и/или использовать для каких-либо других целей, кроме тех, для которых он был разработан.

ПРИМЕЧАНИЕ: Всегда храните мойку высокого давления в месте, где температура не опускается ниже 4 °С. Повреждения от замерзания не покрываются гарантией.

1. Не дотрагивайтесь до вилки кабеля или розетки мокрыми руками.
2. **Не допускайте непреднамеренного запуска.** Перед подключением или отключением кабеля от электрической розетки переведите переключатель на инструменте в положение ВЫКЛ.
3. Никогда не направляйте струю воды на какую-либо электрическую проводку или непосредственно на саму мойку высокого давления - это может привести к поражению электрическим током со смертельным исходом.
4. **Никогда не переносите мойку высокого давления за кабель.** Никогда не тяните за кабель, чтобы отключить его от розетки.
5. Во избежание повреждения кабель не следует сдавливать, размещать рядом с острыми предметами или рядом с источником тепла.
6. **Осматривайте кабели питания перед использованием.** Поврежденные кабели могут снизить производительность мойки высокого давления или привести к поражению электрическим током со смертельным исходом.
7. **Узкий точечный поток очень мощный.** Не рекомендуется использовать на окрашенных поверхностях, деревянных поверхностях или предметах, прикрепленных клеевой основой.
8. Следите за тем, чтобы в рабочей зоне не было людей и животных.
9. Всегда используйте обе руки при работе с мойкой высокого давления, чтобы полностью контролировать штангу-пульверизатор.
10. **Не прикасайтесь к насадке или струе воды во время работы.** Никогда не держите руки перед насадкой.

11. **Надевайте защитные очки во время работы.** Надевайте защитную одежду и обувь для защиты от случайного распыления.
 12. Отсоединяйте вилку кабеля питания от розетки, когда инструмент не используется, и перед отсоединением шланга высокого давления.
 13. **Никогда не завязывайте узлы и не сгибайте шланг высокого давления, так как это может привести к его повреждению. Регулярно осматривайте шланг высокого давления. Если шланг поврежден, изношен или имеет признаки трещин, пузырей, проколов или других протечек, немедленно замените его. Никогда не беритесь за протекающий или поврежденный шланг высокого давления.**
 14. **Никогда не используйте и не храните данный инструмент при температуре ниже 4 °С.** Повреждения от замерзания не покрываются гарантией.
 15. **Перед использованием внимательно изучите все инструкции и предупреждения касательно химических веществ. Используйте только одобренные чистящие средства для мойки высокого давления. Не используйте отбеливатель, хлор или любые чистящие средства, содержащие кислоты. Всегда следуйте рекомендациям производителя по правильному использованию чистящих средств. Всегда защищайте глаза, кожу и органы дыхания от чистящих средств.**
 16. **Мойку высокого давления нельзя использовать в местах, где могут присутствовать пары газа.** Электрическая искра может привести к взрыву или возгоранию.
 17. Чтобы свести к минимуму количество воды, попадающей в мойку высокого давления, во время работы ее следует размещать как можно дальше от места очистки.
 18. Во избежание случайного распыления пистолет-распылитель следует блокировать, когда он не используется.
 19. Чтобы обеспечить свободную циркуляцию воздуха, **НЕ СЛЕДУЕТ** накрывать мойку высокого давления во время работы.
 20. **Никогда не прикасайтесь, не обхватывайте и не пытайтесь закрыть точечное отверстие или подобное протекание воды на шланге высокого давления. Струя воды НАХОДИТСЯ под высоким давлением и ПРОНИКНЕТ в кожу.**
 21. **Используйте только шланги и аксессуары, рассчитанные на давление выше, чем PSI/бар вашей мойки высокого давления. Никогда не используйте с аксессуарами или компонентами других производителей.**
 22. Никогда не нарушайте функции безопасности данного инструмента.
 23. Не используйте инструмент с отсутствующими, сломанными или неофициальными деталями.
 24. Никогда не распыляйте легковоспламеняющиеся жидкости и не используйте мойку высокого давления в местах, содержащих горючую пыль, жидкость или пары.
-  **ВНИМАНИЕ:** Данный инструмент предназначен для использования с чистящим средством, поставляемым или рекомендованным производителем. Использование других чистящих средств или химикатов может отрицательно сказаться на безопасности инструмента.
-  **ВНИМАНИЕ:** При использовании очистителей высокого давления могут образовываться аэрозоли. Вдыхание аэрозолей может быть опасно для здоровья.
-  **ВНИМАНИЕ:** Струи под высоким давлением могут представлять опасность при неправильном использовании. Струя не должна быть направлена на людей, электрооборудование под напряжением или на сам инструмент.
-  **ВНИМАНИЕ:** Не используйте инструмент вблизи от людей, если они не носят защитную одежду.
-  **ВНИМАНИЕ:** Не направляйте струю на себя или других людей с целью чистки одежды или обуви.
-  **ВНИМАНИЕ:** Опасность взрыва – Не распыляйте легковоспламеняющиеся жидкости.
-  **ВНИМАНИЕ:** Очистители высокого давления не должны использоваться детьми или необученным персоналом.
-  **ВНИМАНИЕ:** Шланги высокого давления, фитинги и муфты важны для безопасности инструмента. Используйте только шланги, фитинги и муфты, рекомендованные производителем.
-  **ВНИМАНИЕ:** Для обеспечения безопасности инструмента используйте только оригинальные запасные части от производителя или одобренные производителем.
-  **ВНИМАНИЕ:** Вода, прошедшая через обратный клапан, считается непригодной для питья.
-  **ВНИМАНИЕ:** инструмент должен быть отключен от источника питания во время чистки или технического обслуживания, а также при замене деталей.
-  **ВНИМАНИЕ:** Не используйте инструмент, если повреждены кабель питания или важные части инструмента, напр., предохранительные устройства, шланги высокого давления, пистолет.



ВНИМАНИЕ: неподходящие удлинители могут быть опасны. Если используется удлинитель, он должен быть пригоден для использования на открытом воздухе, а соединение должно быть сухим и не касаться земли. Для этого рекомендуется использовать катушку для кабеля, которая удерживает розетку на высоте не менее 60 мм над землей.



ВНИМАНИЕ: Всегда выключайте сетевой выключатель, когда оставляете инструмент без присмотра.



ВНИМАНИЕ: В зависимости от области применения, для чистки под высоким давлением можно использовать насадки с ограждением, что значительно сократит выброс водосодержащих аэрозолей. Однако не для каждого применения допустимо использовать такое устройство. Если насадки с ограждением не подходят для защиты от аэрозолей, может потребоваться респиратор класса FFP 2 или эквивалентный, в зависимости от среды чистки.

Безопасность окружающих

- ♦ Данный инструмент не предназначен для использования лицами (включая детей) с ограниченными физическими, сенсорными или ментальными возможностями, а также лицами без достаточного опыта и знаний, если только они не делают этого под руководством лица имеющего соответствующий опыт и отвечающего за их безопасность.
- ♦ Не позволяйте детям играть с данным инструментом.

Вибрация

Значения уровня вибрации, указанные в технических характеристиках инструмента и декларации соответствия, были измерены в соответствии со стандартным методом определения вибрационного воздействия согласно EN60335-2-79 и могут использоваться при сравнении характеристик различных инструментов. Приведенные значения уровня вибрации могут также использоваться для предварительной оценки величины вибрационного воздействия.



ВНИМАНИЕ: Значения вибрационного воздействия при работе с мойкой высокого давления зависят от вида работ, выполняемых данным инструментом, и могут отличаться от заявленных значений. Уровень вибрации может быть выше заявленного.

При оценке уровня вибрации для определения меры безопасности, предусмотренного 2002/44/ЕС для защиты людей, регулярно пользующихся электроинструментом

при работе, нужно принимать во внимание уровень вибрации, реальные условия использования и способ использования инструмента, а также учитывать все этапы цикла работы – когда инструмент выключается, когда он работает на холостом ходу, а также время переключения с одного режима на другой.

Условные обозначения на инструменте

Помимо кода даты на инструменте имеются следующие знаки:



Внимание! Во избежание риска получения травм прочтите руководство по эксплуатации.



Используйте защитные очки



Используйте защитные наушники.



Инструмент не подходит для подключения к водопроводу с питьевой водой.



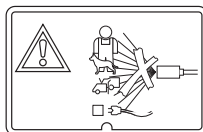
Гарантированная акустическая мощность в соответствии с Директивой 2000/14/ЕС. BEPW1300



Гарантированная акустическая мощность в соответствии с Директивой 2000/14/ЕС. BEP1700



Гарантированная акустическая мощность в соответствии с Директивой 2000/14/ЕС. BEP2000



Запрещается направлять водяную струю на людей, животных, инструмент и электрические компоненты

Электробезопасность



Данный инструмент имеет двойную изоляцию, поэтому заземление не требуется. Необходимо обязательно убедиться в том, что напряжение источника питания соответствует указанному на паспортной табличке.

Составные части

1. Шланг высокого давления
2. Штанга-пульверизатор
3. Отпирающая кнопка насадки
4. Пистолет-распылитель
5. Рукоятка пистолета-распылителя
6. Блокировка пускового выключателя
7. Курковый пусковой выключатель
8. Насадка для веерного распыления и компактной струи
9. Соединитель для шланга
10. Фильтр
11. Пенообразователь
12. Инжектор пенообразователя
13. Кнопка подсоединения шланга
14. Игла для чистки насадки
15. Насадка Турбо (BEPW2000)
16. Мойка высокого давления
17. Дисконный пусковой выключатель
18. Рукоятка
19. Выдвижная рукоятка (BEPW1700, BEPW2000)
20. Выходное отверстие воды под высоким давлением
21. Держатель кабеля
22. Кабель питания

Сборка



ВНИМАНИЕ: Перед выполнением любой из следующих операций убедитесь, что электроинструмент выключен и отсоединен от электросети.

Установка пистолета-распылителя (Рис. В)

1. Чтобы соединить пистолет-распылитель (4) со штангой-пульверизатором (2), вставьте конец штанги-пульверизатора в сопло пистолета-распылителя.
2. надавите и поверните пистолет-распылитель против часовой стрелки, чтобы зафиксировать его в этом положении.

Установка шланга высокого давления (Рис. С)



ПРИМЕЧАНИЕ: Никогда не перемещайте мойку высокого давления или за шланг высокого давления или за шланг подачи воды. Это может привести к повреждению шланга и/или входного и/или выходного отверстия насоса.

1. Чтобы подсоединить шланг высокого давления (1) к пистолету-распылителю (4), нажмите на кнопку подсоединения шланга (13), вставляя конец шланга (23) в пистолет-распылитель. Когда конец шланга защелкнется на месте, отпустите кнопку подсоединения шланга.
2. Чтобы подсоединить шланг высокого давления к мойке высокого давления (16), навинтите муфту шланга высокого давления (24) на выходное отверстие воды под высоким давлением (20).
ПРИМЕЧАНИЕ: Перед установкой полностью размотайте шланг высокого давления, чтобы предотвратить его перекручивание.
ПРИМЕЧАНИЕ: Избегайте свинчивания не по резьбе при установке шланга. Свинчивание не по резьбе приведет к возникновению протечек.

Установка садового шланга (Рис. D, K2)

ПРИМЕЧАНИЕ: Прежде чем подсоединить садовый шланг к мойке высокого давления, пропустите воду через садовый шланг в течение тридцати секунд, чтобы удалить любой мусор из садового шланга.

1. Чтобы подсоединить садовый шланг к мойке высокого давления (16), навинтите фильтр (10) на водозабор (25).
2. Подсоедините садовый шланг к соединителю для шланга (9), ослабив винт садового соединителя и вставив шланг в соединитель. Подсоедините садовый шланг к соединителю для шланга (9), навинтив садовый шланг на соединитель.
3. Подсоедините садовый шланг (28) с садовым соединителем к фильтру (10), пока он не защелкнется на месте.
ПРИМЕЧАНИЕ: Всегда отсоединяйте садовый шланг после использования.

Установка насадок (Рис. А, Е)



ОПАСНО: Риск впрыска жидкости под кожу. Запрещается направлять струю на людей, незащищенную кожу или глаза, а также на животных. Это приведет к тяжелым травмам.



ВНИМАНИЕ: Летящие предметы создают риск тяжелых травм. **ЗАПРЕЩАЕТСЯ** менять насадки во время работы мойки высокого давления. Перед сменой насадок выключайте мойку высокого давления.

1. Чтобы установить насадку на штангу-пульверизатор (2), нажмите на отпирающую кнопку насадки (3) на штанге-пульверизаторе и вставьте нужную насадку.
2. Отпустите отпирающую кнопку, чтобы зафиксировать насадку на месте.

3. Сильно потяните за насадку, чтобы убедиться, что она зафиксирована на месте.

Насадка для веерного распыления и компактной струи

Регулировка веерного распыления (Рис. Е1)

Угол струи, выходящей из штанги-пульверизатора, можно регулировать вращением насадки. Так можно менять форму распыления от узкой с сильным напором струи примерно 0 ° до веерной струи шириной 60 °.

Широкое веерное распыление распределяет воздействие воды на большую площадь, что обеспечивает превосходное очищающее действие и снижает риск повреждения поверхности. Большие поверхности можно очищать быстрее, используя широкое веерное распыление.

Узкая компактная струя распределяет воздействие воды на конкретном небольшом участке, что приводит к высокой силе удара по очищаемой поверхности. Используйте узкую компактную струю для глубокой очистки небольшого участка. Однако используйте ее осторожно, так как она может повредить некоторые поверхности.

Установка пенообразователя (Рис. J4)

Чтобы подсоединить пенообразователь (11) к пистолету-распылителю (4), вставьте конец пенообразователя в пистолет-распылитель и поверните пенообразователь против часовой стрелки, чтобы зафиксировать его на месте.


ПРИМЕЧАНИЕ: Штанга-пульверизатор и пенообразователь не могут быть установлены одновременно.

ПРИМЕЧАНИЕ: Пенообразователь должен располагаться под стволом пистолета-распылителя. Не располагайте пенообразователь над стволом пластикового пистолета-распылителя, так это приведет к стеканию моющего средства на ствол.

Насадка для веерного распыления и компактной струи	Для бережной чистки широких поверхностей.
--	---

Насадка Турбо	Для устранения стойких загрязнений. (Входит в комплект модели ВЕРW2000 только)
---------------	--

Эксплуатация

 **ВНИМАНИЕ:** Для снижения риска получения тяжелой травмы, выключайте инструмент и отсоединяйте его от электросети перед регулировкой или снятием/установкой дополнительных принадлежностей или

насадок. Непреднамеренный запуск может привести к травме.

Правильное положение рук во время работы (Рис. F)



ВНИМАНИЕ: Во избежание риска получения серьезных травм **ВСЕГДА** используйте правильное положение рук, как показано на рисунке.



ВНИМАНИЕ: Для уменьшения риска получения тяжелой травмы, **ВСЕГДА** надежно удерживайте инструмент, предупреждая внезапные сбои в работе.

При правильном расположении рук одна рука находится на рукоятке пистолета-распылителя (5), а другая на пистолете-распылителе (4).

Мойка под давлением

Подготовка поверхностей к чистке

- Уберите из рабочей зоны предметы, которые могут создать опасность, например, детские игрушки или садовую мебель.
- Убедитесь, что все двери и окна плотно закрыты.
- Укройте все растения и деревья поблизости защитной пленкой, чтобы не повредить их струей.
- Сполосните поверхность пресной водой.
- Используйте только моющие средства, предназначенные для использования с мойками высокого давления.
- Всегда тестируйте моющее средство на незаметном участке перед использованием.

Подготовка мойки высокого давления к эксплуатации (K1, K2, K3, K4)



ОПАСНО: Риск впрыска жидкости под кожу и порезов. При использовании высокого давления, **НЕ ДОПУСКАЙТЕ** контакта струи под высоким давлением с незащищенной кожей или глазами, а также с животными. Это приведет к тяжелым травмам.



ПРЕДУПРЕЖДЕНИЕ: Перед работой:

1. Подсоедините садовый шланг к водопроводу. Воду можно набирать из крана или другой системы подачи воды. См. подраздел «Самовсасывание» в разделе «Подготовка мойки высокого давления к эксплуатации».
2. Подсоедините шланг высокого давления к мойке высокого давления и пистолету-распылителю. Инструкции по подсоединению шланга высокого давления к мойке высокого давления и пистолету-распылителю см. в подразделе «Установка шланга».

высокого давления» в разделе **«Сборка и регулировка»**.

3. Подсоедините садовый шланг к мойке высокого давления. Инструкции подсоединения подачи воды к мойке высокого давления см. подразделе **«Установка садового шланга»** в разделе **«Сборка и регулировка»**.
4. Вставьте вилку электрокабеля в соответствующую розетку.

Подготовка пистолета-распылителя (Рис. А)

ВАЖНО: Перед включением мойки высокого давления снимите блокировку пускового выключателя (6) и нажмите на курковый пусковой выключатель (7).

1. Снимите блокировку пускового выключателя (6).
2. Нажмите на курковый пусковой выключатель (7). Удерживайте курковый пусковой выключатель нажатым в течение 30 секунд, чтобы удалить из системы воздух.
3. Если в водяной струе по-прежнему присутствует воздух, продолжайте пропускать воду через пистолет-распылитель.

Подключение к воде



ВНИМАНИЕ: Согласно соответствующему законодательству, инструмент запрещается использовать вместе с системами подачи питьевой воды без устройства предотвращения противотока. Используйте устройство предотвращения противотока согласно IEC 61770, тип VA. Вода, поступающая через устройство предотвращения противотока, считается непригодной для питья.



- Соблюдайте правила вашей компании по водоснабжению.
- Все соединительные шланги должны иметь правильно герметизированные соединения.
- Убедитесь, что подающий шланг имеет диаметр не менее 12,7 мм и армирован.
- Запрещается использовать систему для подачи питьевой воды без обратного клапана. Вода, прошедшая через обратный клапан, считается непригодной для питья.

Чистка поверхности (Рис. А)

1. Чтобы запустить мойку высокого давления, поверните дисковой пусковой выключатель (17) в положение «ВКЛ.».

2. Убедитесь, что водопроводный кран открыт, или используйте любой другой источник воды, чтобы вода поступала в мойку высокого давления.
3. Оптимальный угол струи воды к омываемой поверхности составляет 45°.
 - Направление струи под прямым углом приводит к вдавливанию частиц грязи в поверхность.
 - При работе с вертикальными поверхностями, моющее средство лучше наносить снизу вверх, что не даст моющему средству стекать вниз и оставлять разводы.
4. Чтобы выключить пистолет-распылитель, отпустите курковый пусковой выключатель.

ПРИМЕЧАНИЕ: Избыточное давление в насосе может возникнуть из-за засорения насадки. Всегда выключайте мойку высокого давления и отключайте от электросети перед тем, как пытаться устранить засор в насадке.

Моющие средства (J1, J2, J3, J4)

Инструкции по установке пенообразователя см. в подразделе **«Установка пенообразователя»** в разделе **«Сборка и регулировка»**.

Использование моющих средств может значительно сократить время очистки и помочь в удалении трудновыводимых пятен. Некоторые моющие средства были адаптированы для использования в мойках высокого давления для выполнения определенных задач по очистке.

Очищающая способность моющих средств заключается в том, что они наносятся на поверхность и дают химическим веществам время для разрушения грязи и копоти. Моющие средства лучше всего работают при низком давлении.

Сочетание химического воздействия и ополаскивания под высоким давлением очень эффективно.

Наносите моющее средство на вертикальные поверхности, начиная снизу и двигаясь вверх. Это предотвратит стекание моющего средства вниз и образование разводов. Промывка под высоким давлением также должна проходить снизу вверх. Для особо стойких пятен может потребоваться использование щетки в сочетании с моющими средствами и ополаскиванием под высоким давлением.

Перемещение мойки высокого давления (Рис. А)

1. Выключите мойку высокого давления (16), повернув дисковой пусковой выключатель (17) в положение «ВЫКЛ.», а затем отключите подачу воды.
2. Направьте штангу-пульверизатор (2) в безопасном направлении и нажмите на курковый пусковой выключатель (7), чтобы сбросить оставшееся давление воды.

3. Когда штанга-пульверизатор полностью опустеет, поднимите мойку высокого давления за рукоятку (18).

Выключение (Рис. А, D)

1. Выключите мойку высокого давления (16), повернув дисковую пусковую выключатель (17) в положение «ВЫКЛ.», и извлеките вилку кабеля из розетки.
2. Выключите водопроводный кран или отключитесь от любого другой системы подачи воды.
3. Сбросьте остаточное давление, нажимая на курковый пусковой выключатель (7) до тех пор, пока из штанги-пульверизатора не перестанет вытекать вода (2).
4. Активируйте блокировку пускового выключателя (6).
5. Отсоедините садовый шланг (28) от водозабора (25).
6. Отсоедините шланг высокого давления (1) от выпускного отверстия для воды высокого давления (20) и сливного шланга.

Самовсасывание (Рис. А, С, D, K1, K2, K3, K4)

1. Подсоедините входной шланг к мойке высокого давления. См. подраздел «Установка садового шланга» в разделе «Сборка и регулировка».
2. Поместите свободный конец шланга с прикрепленным фильтром в альтернативный источник воды (например, ведро и пр.)
3. Подсоедините шланг высокого давления к пистолету-распылителю. См. подраздел «Установка шланга высокого давления» в разделе «Сборка и регулировка».
4. Подключите мойку высокого давления к источнику питания.
5. Чтобы запустить мойку высокого давления, поверните дисковую пусковую выключатель в положение «ВКЛ.».
6. Выключите мойку высокого давления, как только из выходной трубки мойки начнет брызгать вода.
7. Отключите мойку высокого давления от источника питания.
8. Подсоедините шланг высокого давления к выходной трубке насоса.
9. Подключите мойку высокого давления к источнику питания.
10. Чтобы запустить мойку высокого давления, поверните дисковую пусковую выключатель в положение «ВКЛ.».
11. Чтобы начать чистку, нажмите на курковый пусковой выключатель пистолета-распылителя.

Техническое обслуживание

Ваш инструмент BLACK+DECKER имеет длительный срок эксплуатации и требует минимальных затрат на техобслуживание. Для длительной безотказной работы необходимо обеспечить правильный уход за инструментом и его регулярную чистку.



Внимание! Перед проведением технического обслуживания инструмента.

- Регулярно очищайте вентиляционные прорези инструмента мягкой щеткой или сухой тканевой салфеткой.
- Регулярно очищайте корпус двигателя влажной салфеткой. Не используйте никакие абразивные чистящие средства или средства на основе растворителей.

Чистка

Чистка насадки (Рис. А, G)

Если насадка засорится посторонними веществами, например, грязью, это может привести к возникновению избыточного давления. Если насадка частично засорена или закрыта, то давление насоса будет пульсировать. Немедленно прочистите насадку, используя иглу для чистки насадки.

1. Выключите и отключите от электросети мойку высокого давления (16).
2. Выключите подачу воды.
3. Нажмите на курковый пусковой выключатель (7) на пистолете-распылителе (4), чтобы сбросить остаточное давление воды.
4. Снимите насадку со штанги-пульверизатора (2), нажав на отпирающую кнопку (3).
5. При помощи иглы для чистки насадки (14) прочистите насадку от скопившегося мусора.
6. Пропустите воду из водопроводного крана или садового шланга через насадку.

Чистка фильтра (Рис. А, L)

Осматривайте фильтр (10) перед каждым использованием и при необходимости чистите его. Извлеките фильтр и промойте его под чистой водой, чтобы удалить весь мусор.

Хранение (Рис. H, I)

- Храните в сухом, закрытом месте с температурой выше точки замерзания. **ХРАНИТЬ В ПОМЕЩЕНИИ.**
- Всегда полностью удаляйте воду из шланга высокого давления, мойки высокого давления, насадок и пистолета-распылителя.
- Насадки можно хранить на инструменте, как показано на Рис. H. **ПРИМЕЧАНИЕ:** Насадку Турбо (BEPW2000) или насадку для веерного распыления и компактной струи можно хранить на штанге-пульверизаторе.
- Кабель питания можно хранить свернутым и закрепленным на держателе кабеля (21), как показано на Рис. I.

- Шланг высокого давления (1) можно хранить свернутым и закрепленным на рукоятке (18) при помощи ленты с липучкой (27), как показано на Рис. 1.
- Пистолет-распылитель (4) можно хранить на задней поверхности инструмента, используя кронштейн (26), как показано на Рис. 1.
- Штангу-пульверизатор (2) можно хранить на задней поверхности инструмента, используя кронштейн (26), как показано на Рис. 1.

Замена штепсельной вилки (только для Великобритании и Ирландии)

Если необходимо установить новую штепсельную вилку:

- Осторожно снимите старую вилку.
- Подсоедините коричневый провод к терминалу фазы в новой вилке.
- Подсоедините синий провод к нулевому терминалу.



Внимание! Заземление не требуется. Соблюдайте инструкции по установке вилок высокого качества. Рекомендованный предохранитель: 13 А.

Защита окружающей среды



Раздельная утилизация. Изделия и аккумуляторные батареи с данным символом на маркировке запрещается утилизировать с обычными бытовыми отходами.

Изделия и аккумуляторные батареи содержат материалы, которые могут быть извлечены или переработаны, снижая потребность в исходном сырье.

Пожалуйста, утилизируйте электрические изделия и аккумуляторные батареи в соответствии с местными нормами. Дополнительная информация доступна по адресу www.2helpU.com

Технические характеристики

	BERW1300	BERW1700	BERW2000
Тип	1	1	1
Мощность	1300 Вт	1700 Вт	2000 Вт
Номинальная скорость потока	5,2 л/мин.	5,5 л/мин.	5,8 л/мин.
Макс. скорость потока	6,6 л/мин.	6,8 л/мин.	7,5 л/мин.
Номинальное давление (Бар/PSI/МПа)	74 / 1073 / 7,4	83,5 / 1211 / 8,35	105 / 1523 / 10,5
Макс. давление (Бар/PSI/МПа)	110 / 1600 / 11	125 / 1800 / 12,5	150 / 2100 / 15
Температура воды	50° C	50° C	50° C
Вода на входе	Холодная чистая вода	Холодная чистая вода	Холодная чистая вода

	BERW1300	BERW1700	BERW2000
Гарантированный уровень акустической мощности L_{WA} дБ(А)	92	91	93
Макс. входное давление МПа	1,0	1,0	1,0
Защита двигателя	IPX5	IPX5	IPX5
Тип двигателя	Щеточный	Щеточный	Щеточный
Насос	Алюминиевый	Алюминиевый	Алюминиевый
Самовсасывание	Есть	Есть	Есть
Длина шланга	3 м	5 м	6 м
Встроенный фильтр	Есть	Есть	Есть
Вес	4,9 кг	6,3 кг	8,2 кг
Сила оттапливания пистолета при максимальном давлении	21 Н	21 Н	21 Н

Протестированный уровень шума и вибрации:

BERW1300:

Уровень звукового давления L_{PA} : 77,0 дБ(А), $K=3,0$ дБ(А)
Измеренный уровень акустической мощности: L_{WA} : 89,0 дБ(А), $K=2,8$ дБ(А)

Значения вибрационного воздействия a_h : менее 2,5 м/с²; $K=0,6$ м/с²

BERW1700:

Уровень звукового давления L_{PA} : 75 дБ(А), $K=3$ дБ(А)
Измеренный уровень акустической мощности: L_{WA} : 88 дБ(А), $K=2,2$ дБ(А)

Вибрация:

Значения вибрационного воздействия a_h : менее 2,5 м/с²; $K=0,5$ м/с²

BERW2000:

Уровень звукового давления L_{PA} : 78 дБ(А), $K=3,0$ дБ(А)
Измеренный уровень акустической мощности: L_{WA} : 91,0 дБ(А), $K=1,4$ дБ(А)

Значения вибрационного воздействия a_h : менее 2,5 м/с²; $K=0,6$ м/с²

Заявление о соответствии нормам ЕС**ДИРЕКТИВА ПО МЕХАНИЧЕСКОМУ ОБОРУДОВАНИЮ
ДИРЕКТИВА ПО ШУМАМ, ПРОИЗВОДИМЫМ ВНЕ
ПОМЕЩЕНИЯ**

BERW1300, BERW1700, BERW2000 Мойка высокого давления

Black & Decker заявляет, что продукция, описанная в разделе «Технические характеристики», соответствует: 2006/42/ЕС, EN 60335-1:2012+A11:2014+A13:2017+A1:2019+A14:2019+A2:2019, EN60335-2-79:2012. 2000/14/ЕС, Приложение V

BERW1300:

Измеренный уровень акустической мощности: L_{WA} : 89,0 дБ(А), K=2,8 дБ(А)

Гарантированный уровень акустической мощности L_{WA} : 92 дБ(А)

BERW1700:

Измеренный уровень акустической мощности: L_{WA} : 88 дБ(А), K=2,2 дБ(А)

Гарантированный уровень акустической мощности L_{WA} : 91 дБ(А)

BERW2000:

Измеренный уровень акустической мощности: L_{WA} : 91,0 дБ(А), K=1,4 дБ(А)

Гарантированный уровень акустической мощности L_{WA} : 93 дБ(А)

Эти продукты также соответствуют Директивам 2014/30/EU и 2011/65/EU. За дополнительной информацией обращайтесь в компанию Black & Decker по адресу, указанному ниже или приведенному на задней стороне обложки руководства. Нижеподписавшийся несет ответственность за составление технической документации и составил данную декларацию по поручению компании Black & Decker.

Patrick Diepenbach

Патрик Дипенбах (Patrick Diepenbach) Генеральный директор, Benelux Black and Decker, Egide Walschaertsstraat 14--18 2800 Mechelen, Belgium
30.12.2021

Гарантия

Black & Decker с уверенностью в качестве своей продукции предлагает клиентам гарантию на 24 месяца с момента покупки. Данная гарантия является дополнительной и ни в коей мере не направлена на ущемление ваших юридических прав. Гарантия действует на территории стран-участниц Европейского союза и в Европейской зоне свободной торговли и Великобритании.

Чтобы подать заявку по гарантии, заявка должна соответствовать положениям и условиям Black & Decker; кроме того, вам потребуется предъявить продавцу или авторизованному специалисту по ремонту подтверждение покупки. Положения и условия 2-летней гарантии Black & Decker и местонахождение ближайшего авторизованного специалиста по ремонту можно узнать через интернет по адресу www.2helpU.com, или связавшись с местным представительством Black & Decker по адресу, указанному в данном руководстве.

Посетите наш веб-сайт по адресу www.blackanddecker.co.uk, чтобы зарегистрировать свое новое изделие Black & Decker и получить информацию о новинках и специальных предложениях.

ВОЗМОЖНЫЕ НЕИСПРАВНОСТИ И СПОСОБЫ ИХ УСТРАНЕНИЯ



ВНИМАНИЕ: Риск небезопасной эксплуатации. Перед обслуживанием инструмента отсоедините вилку или отсоедините электропитание, отключите подачу воды, сбросьте остаточное давление и заблокируйте пусковой выключатель пистолета-распылителя.

НЕИСПРАВНОСТЬ	ПРИЧИНА	СПОСОБ УСТРАНЕНИЯ
Двигатель не запускается.	Инструмент не подключен к источнику питания.	Вставьте вилку кабеля в электрическую розетку.
	Выключатель находится в положении «ВЫКЛ.».	Поверните выключатель в положение «ВКЛ.».
	Не нажат курковый пусковой выключатель штанги*-пульверизатора.	Нажмите на курковый пусковой выключатель при пусковом выключателе в положении «ВКЛ.».
Инструмент не достигает высокого давления.	Кран с водой открыт не полностью.	Полностью откройте водяной клапан.
	Засорен входной фильтр для воды.	Извлеките фильтр и сполосните его, чтобы прочистить.
	Износена насадка.	Замените на новую насадку.
	Насос закачивает воздух.	Убедитесь, что шланги и соединения туго затянуты. Выключите инструмент и прочистите насос, нажимая на курковый пусковой выключатель пистолета до тех пор, пока из сопла не пойдет постоянный поток воды.
	Ограничена подача воды.	Проверьте водяной шланг на наличие перегибов, протечек и закупорки.
Самовсасывание не работает должным образом	См. подраздел «Самовсасывание» в разделе «Сборка и регулировка»	
Давление на выходе меняется с высокого на низкое.	Недостаточная подача воды на входе.	Включите воду на полную мощность — проверьте шланг на наличие протечек и перегибов.
	Насос закачивает воздух.	Убедитесь, что шланги и соединения туго затянуты. Выключите инструмент и прочистите насос, нажимая на курковый пусковой выключатель пистолета до тех пор, пока из сопла не пойдет постоянный поток воды.
	Засорилась сетка на входе воды.	Чтобы прочистить, промойте ее водой.
	Засорено нагнетательное сопло.	Продуйте или удалите мусор.
	Ослаблены соединения.	Затяните соединения.
Соединение садового шланга протекает.	Отсутствует/изношена резиновая шайба.	Замените шайбу в переходнике шланга.
Штанга-пульверизатор протекает.	Штанга-пульверизатор неправильно закреплена.	Вставьте штангу-пульверизатор в пистолет-распылитель. Нажмите и поверните, чтобы зафиксировать штангу-пульверизатор на месте.
	Сломано уплотнительное кольцо.	Обратитесь к местному продавцу.
Насос работает слишком шумно.	Насос закачивает воздух.	Убедитесь, что шланги и соединения туго затянуты. Выключите инструмент и прочистите насос, нажимая на курковый пусковой выключатель пистолета до тех пор, пока из сопла не пойдет постоянный поток воды.
Протекания воды из насоса.	Ослаблены соединения.	Убедитесь, что все соединения затянуты.
	Водяные затворы повреждены или изношены.	Обратитесь к местному продавцу.
Протекает масло.	Масляные затворы повреждены или изношены.	Обратитесь к местному продавцу.
Двигатель гудит, но не запускается.	Напряжение питания ниже минимального.	Убедитесь, что в этой цепи работает только мойка высокого давления.
	В системе присутствует достаточное давление.	Выключите инструмент, нажмите на курковый пусковой выключатель на штанге-пульверизаторе, чтобы сбросить давление, затем включите инструмент.
	Потеря напряжения из-за удлинителя.	Подключите напрямую к розетке.
	Очиститель не использовался в течение длительного времени.	Обратитесь к местному продавцу.
Нет моющего средства.	Емкость для моющего средства пуста.	Добавьте больше моющего средства.
	Пенообразователь с моющим средством или всасывающая трубка не правильно подключены.	Проверьте соединения.
	Моющее средство слишком густое.	Используйте моющее средство, рекомендованное для использования только в мойках высокого давления.
	Фильтр на всасывающей трубке моющего средства забит.	Пропустите теплую воду через фильтр, чтобы удалить мусор.
	Повреждена или забита всасывающая трубка моющего средства.	Устраните препятствие или замените всасывающую трубку моющего средства.
	Засорено нагнетательное сопло.	Продуйте или удалите мусор.



Приложение к руководству по эксплуатации электрооборудования для определения месяца производства по номеру текущей календарной недели года

Электрооборудование торговых марок "Dewalt", "Stanley", "Stanley FatMAX", "BLACK+DECKER".

Директивы 2014/30/EU ЕВРОПЕЙСКОГО ПАРЛАМЕНТА И СОВЕТА от 26 февраля 2014 г. "О гармонизации законодательств Государств-членов ЕС в области электромагнитной совместимости", 2006/42/ЕС ЕВРОПЕЙСКОГО ПАРЛАМЕНТА И СОВЕТА от 17 мая 2006 г. "О машинах и оборудовании", 2014/35/EU ЕВРОПЕЙСКОГО ПАРЛАМЕНТА И СОВЕТА от 26 февраля 2014 г. "О гармонизации законодательств государств-членов в области размещения на рынке электрооборудования, предназначенного для использования в определенных пределах напряжения". Серийный выпуск.

ТОВАР СЕРТИФИЦИРОВАН

Орган по сертификации "РОСТЕСТ- Москва", Адрес: 119049, г. Москва, улица Житная, д. 14, стр. 1; 117418, Москва, Нахимовский просп., 31 (фактический), Телефон: (499) 1292311, (495) 6682893, Факс: (495) 6682893, E-mail: office@rostest.ru
Изготовитель: Изготовитель: Блэк энд Деккер Холдингс ГмбХ, Германия, 65510, Идштайн, ул. Блэк энд Деккер, 40, тел. +496126212790.

Уполномоченное изготовителем юр.лицо:

ООО "Стэни Блэк энд Деккер", 117485, город Москва, улица Обручева, дом 30/1, строение 2
Телефон: + 7 (495) 258-3981, факс: + 7 (495) 258-3984, E-mail: inbox@dewalt.com
Сведения и импортёре указаны в сопроводительной документации и/или на упаковке

Хранение.

Необходимо хранить в сухом месте, вдали от источников повышенных температур и воздействия солнечных лучей. При хранении необходимо избегать резкого перепада температур. Хранение без упаковки не допускается

Срок службы.

Срок службы изделия составляет 5 лет. Не рекомендуется к эксплуатации по истечении 5 лет хранения с даты изготовления без предварительной проверки.

Дата изготовления (код даты) указана на корпусе инструмента. Код даты, который также включает год изготовления, отштампован на поверхности корпуса изделия.

Пример:

2014 46 XX, где 2014 –год изготовления, 46-неделя изготовления.

Определить месяц изготовления по указанной неделе изготовления можно согласно приведенной ниже таблице.

Транспортировка.

Категорически не допускается падение и любые механические воздействия на упаковку при транспортировке. При разгрузке/погрузке не допускается использование любого вида техники, работающей по принципу зажима упаковки.

Перечень критических отказов, возможные ошибочные действия персонала.

- Не допускается эксплуатация изделия:
 - При появлении дыма из корпуса изделия
 - При поврежденном и/или оголенном сетевом кабеле
 - при повреждении корпуса изделия, защитного кожуха, рукоятки
 - при попадании жидкости в корпус
 - при возникновении сильной вибрации
 - при возникновении сильного искрения внутри корпуса
- Критерии предельных состояний.**
 - При поврежденном и/или оголенном сетевом кабеле
 - при повреждении корпуса изделия

Месяц	Январь	Февраль	Март	Апрель	Май	Июнь	Июль	Август	Сентябрь	Октябрь	Ноябрь	Декабрь	Год производства
Неделя	1	5	9	14	18	23	27	31	36	40	44	49	2018
	2	6	10	15	19	24	28	32	37	41	45	50	
	3	7	11	16	20	25	29	33	38	42	46	51	
	4	8	12	17	21	26	30	34	39	43	47	52	
Неделя			13		22			35			48		2019
	1	6	10	14	18	23	27	31	36	40	45	49	
	2	7	11	15	19	24	28	32	37	41	46	50	
	3	8	12	16	20	25	29	33	38	42	47	51	
	4	9	13	17	21	26	30	34	39	43	48	52	
Неделя					22			35		44			2020
	1	6	10	14	19	23	27	32	36	40	45	49	
	2	7	11	15	20	24	28	33	37	41	46	50	
	3	8	12	16	21	25	29	34	38	42	47	51	
	4	9	13	17	22	26	30	35	39	43	48	52	
Неделя				18		31			44				2021
	2	6	10	14	19	23	27	32	36	41	45	49	
	3	7	11	15	20	24	28	33	37	42	46	50	
	4	8	12	16	21	25	29	34	38	43	47	51	
	5	9	13	17	22	26	30	35	39	44	48	52	
Неделя				18		31			40			1	2022
	2	6	10	15	19	23	28	32	36	41	45	49	
	3	7	11	16	20	24	29	33	37	42	46	50	
	4	8	12	17	21	25	30	34	38	43	47	51	
	5	9	13	18	22	26	31	35	39	44	48	52	
		14			27			40				1	


**BLACK+
DECKER**
**2 ГОДА
ГАРАНТИИ**

ГАРАНТИЙНЫЕ УСЛОВИЯ

Уважаемый покупатель!

1. Поздравляем Вас с покупкой высококачественного изделия BLACK+DECKER и выражаем признательность за Ваш выбор.
2. При покупке изделия требуйте проверки его комплектности и исправности в Вашем присутствии. В комплекте с инструментом должна быть инструкция по эксплуатации и гарантийные условия производителя на русском языке. Сохраняйте на весь срок гарантии Ваш документ, удостоверяющий факт покупки изделия. Убедитесь, что в чеке указаны: фискальный номер чека, модель/наименование изделия, дата продажи и название торговой организации.
3. Во избежание недоразумений убедительно просим Вас перед началом работы с изделием внимательно ознакомиться с инструкцией по его эксплуатации. Правовой основой настоящих гарантийных условий является действие законодательства. Гарантийный срок на данное изделие составляет 24 месяца и исчисляется со дня продажи. В случае устранения недостатков изделия гарантийный срок продлевается на период его нахождения в ремонте. Срок службы изделия составляет 5 лет со дня продажи.
4. В случае возникновения каких-либо проблем в процессе эксплуатации изделия рекомендуем Вам обращаться только в уполномоченные сервисные центры BLACK+DECKER - адреса и телефоны которых Вы сможете найти на сайте www.2help1.com или узнать в магазине. Наши сервисные станции это не только квалифицированный ремонт, но и широкий ассортимент запчастей и принадлежностей.
5. Производитель рекомендует проводить периодическую проверку и техническое обслуживание изделия в уполномоченных сервисных центрах.
6. Наши гарантийные обязательства распространяются только на неисправности, выявленные в течение гарантийного срока и вызванные дефектами материалов или сборки изделия.
7. Гарантийные условия не распространяются на неисправности изделия, возникшие в результате:
 - 7.1. Несоблюдения пользователем предписаний инструкции по эксплуатации изделия, применения изделия не по назначению, неправильному хранению, использования принадлежностей, расходных материалов и запчастей, не предусмотренных производителем.
 - 7.2. Механического повреждения (сколы, трещины и разрушения) внутренних и внешних деталей изделия, основных и вспомогательных



ОБЯЗАТЕЛЬНО СОХРАНИТЕ КАССОВЫЙ ЧЕК

рыкояток, сетевого электрического кабеля, вызванного внешним ударным или любым иным воздействием.

- 7.3. Попадания в вентиляционные отверстия и проникновение внутрь изделия посторонних предметов, материалов или веществ, не являющихся отходами, сопровождающими применение изделия по назначению, такими как: стружка, опилки, песок, и пр.
- 7.4. Воздействий на изделие неблагоприятных атмосферных и иных внешних факторов, таких как дождь, снег, повышенная влажность, нагрев, агрессивные среды, несоответствие параметров питающей электросети, указанных на инструменте.
- 7.5. Стихийного бедствия. Повреждение или утрата изделия, связанное с непредвиденными бедствиями, стихийными явлениями, в том числе вследствие действия непреодолимой силы (пожар, молния, потоп и другие природные явления), а также вследствие перепадов напряжения в электросети и другими причинами, которые находятся вне контроля производителя.

8. Гарантийные условия не распространяются:

- 8.1. На инструменты, подвергавшиеся вскрытию, ремонту или модификации вне уполномоченного сервисного центра.
- 8.2. На детали и узлы, имеющие следы естественного износа, такие как: приводные ремни и колеса, угловые щетки, смазка, подшипники, зубчатое зацепление редукторов, резиновые уплотнения, сальники, направляющие ролики, муфты сцепления, бойки, толкатели, стволы, и т.п.
- 8.3. На сменные и расходные части: цапги, зажимные гайки и фланцы, фильтры, ножи, шлифовальные поддоши, цепи, звездочки, пыльные шины, защитные кожухи, пилки, абразивы, пыльные и абразивные диски, фрезы, сверла, буры и т.п.
- 8.4. На неисправности, возникшие в результате перегрузки инструмента (как механической, так и электрической), повлекшей выход из строя одновременно двух и более деталей и узлов, таких как ротора и статора, обеих обмоток статора, ведомой и ведущей шестерни редуктора или других узлов и деталей. К безусловным признакам перегрузки изделия относятся, помимо прочего: появление цветов побежалости, деформация или оплавление деталей и узлов изделия, потемнение или облупивание изоляции проводов электродвигателя под воздействием высокой температуры.


Горячая линия
8-800-1000-876

Актуальную информацию об обслуживании
в интересующем вас городе вы можете узнать на сайте

service.blackanddecker.ru

- Список авторизованных сервисных центров
- Поиск ближайшего сервисного центра
- Руководство по эксплуатации
- Технические характеристики
- Список деталей и запасных частей
- Схема сборки инструмента

ГАРАНТИЙНОЕ ОБСЛУЖИВАНИЕ

С БЕСПЛАТНОЙ ДОСТАВКОЙ

Теперь вы можете сдать инструмент в сервис, даже если его нет в вашем городе.

Скачать/распечатать инструкцию с сайта

service.blackanddecker.ru



Отметки о проведении сервисного обслуживания

№1	№2	№3	№4
№ заказа	№ заказа	№ заказа	№ заказа
Дата поступления	Дата поступления	Дата поступления	Дата поступления
Дата ремонта	Дата ремонта	Дата ремонта	Дата ремонта
Печать и подпись сервисного центра	Печать и подпись сервисного центра	Печать и подпись сервисного центра	Печать и подпись сервисного центра



ПОДАРОК ЗА ОТЗЫВ*

- 1 Зарегистрируйся на my.blackanddecker.ru
- 2 Напиши отзыв о покупке
- 3 Получи подарок на выбор**



*Акция проводится на территории Российской Федерации. Подробные условия акции указаны на my.blackanddecker.ru

** Подарок может отличаться от изображенного, актуальный перечень см. на my.blackanddecker.ru

Сфера застосування

Ця мийка високого тиску призначена для побутового використання, як-от: чищення човнів, автомобілів, палуб, проїздів, решіток, сайдингу будинку, мотоциклів, внутрішніх двориків та вуличних меблів.

Не дозволяйте дітям підходити на небезпечну відстань та торкатися інструмента. Використання інструмента недосвідченими операторами потребує нагляду. Цей інструмент призначений лише для побутового використання.

Інструкції з техніки безпеки

ВАЖЛИВІ ІНСТРУКЦІЇ З ТЕХНІКИ БЕЗПЕКИ



УВАГА! При використанні цієї мийки високого тиску завжди слід дотримуватися основних заходів безпеки, у тому числі:

- ♦ Якщо шнур живлення пошкоджений, його необхідно замінити у виробника або в офіційному сервісному центрі компанії BLACK+DECKER для уникнення небезпеки.
- ♦ Ця машина не призначена для використання особами (у тому числі дітьми) зі знизженими фізичними, сенсорними або розумовими можливостями або особами, яким бракує досвіду або знань.
- ♦ Уважно слідкуйте за тим, щоб діти не гралися з пристроєм.
- ♦ Перед використанням виробу прочитайте всі інструкції.
- ♦ Щоб зменшити ризик отримання травми, слід уважно стежити за використанням виробу поряд з дітьми.
- ♦ Знайте, як зупинити виріб і швидко знизити тиск. Уважно ознайомтеся з елементами керування.
- ♦ Будьте уважні – стежте за тим, що робите.
- ♦ Не використовуйте виріб у разі втоми або під впливом алкоголю чи наркотиків.
- ♦ Слідкуйте за тим, щоб у робочій зоні не було людей та тварин.
- ♦ Не намагайтесь дотягнутись до віддалених місць і не стійте на нестійкій опорі. Завжди утримуйте правильну постановку ніг і рівновагу.
- ♦ Дотримуйтесь інструкцій з технічного обслуговування, зазначених у посібнику.
- ♦ Підключення до електромережі має виконуватися кваліфікованим електриком і відповідати вимогам IEC 60364-1. Рекомендується, щоб електричне живлення цієї машини включало пристрій захисного вимкнення, який перериває подачу живлення, якщо струм витoku на землю перевищує 30 мА протягом 30 мс, або пристрій, який перевіряє ланцюг заземлення.



УВАГА! Небезпека впорскування або травмування – не спрямовуйте струмінь розряду на людей або тварин.



УВАГА! Перед збиранням, використанням або встановленням виробу прочитайте цей посібник повністю.



УВАГА! Цей пристрій було розроблено для спеціального використання. Його не можна модифікувати та/або використовувати не за призначенням.

ПРИМІТКА. Завжди зберігайте мийку високого тиску в місці, де температура не опускається нижче 40 °F (4 °C). Гарантія не поширюється на пошкодження через замерзання.

1. Не торкайтесь вилки або розетки мокрими руками.
2. **Уникайте випадкових запусків.** Перед вставленням та витягуванням шнура з електричних розеток переведіть вимикач на пристрої у положення «Вимк.».
3. Бризки води повинні потрапляти на електропроводку або безпосередньо на саму мийку високого тиску, інакше можливий смертельний удар струмом.
4. **Ніколи не переносьте мийку високого тиску за кабель.** Не тягніть за кабель, щоб витягнути вилку з розетки.
5. Щоб уникнути пошкодження, шнур не слід зминати, класти поруч із гострими предметами або поблизу джерела тепла.
6. **Перед використанням перевірте кабелі живлення.** Пошкоджені кабелі можуть знизити продуктивність мийки високого тиску або призвести до смертельного ураження електричним струмом.
7. **Вузький точковий струмінь дуже потужний.** Його не рекомендується використовувати на фарбованих поверхнях, дерев'яних поверхнях або предметах з клейкою основою.
8. Слідкуйте за тим, щоб у робочій зоні не було людей та тварин.
9. Під час роботи з мийкою високого тиску завжди використовуйте обидві руки для тримання розпилювальної трубки під повним контролем.
10. **Не торкайтесь форсунки або розпилювача води під час роботи.** Ніколи не кладіть руки перед форсункою.
11. **Під час роботи надягайте захисні окуляри.** Одягайте захисний одяг та взуття для захисту від випадкових бризок.
12. Витягуйте вилку з розетки, коли пристрій не використовується, а також перед від'єднанням шланга високого тиску.
13. **Ніколи не перегинайте шланг високого тиску й не зав'язуйте на ньому вузли, оскільки це може призвести до його пошкодження.** Регулярно оглядайте шланг високого тиску. негайно замініть шланг, якщо він пошкоджений, зношений або має

ознаки тріщин, бульбашок, проколів або інших витоків. Ніколи не беріться за шланг високого тиску, який протікає чи пошкоджено.

14. **Не використовуйте або не зберігайте цей виріб за температури нижче 40 °F (4 °C).** Гарантія не поширюється на пошкодження через замерзання.
15. **Перед використанням уважно вивчіть усі інструкції та попередження щодо застосування хімікатів. Використовуйте лише схвалені засоби для чищення мийки високого тиску. Не використовуйте відбілювач, хлор або будь-які засоби для чищення, що містять кислоти. Завжди дотримуйтеся рекомендацій виробника, зазначених на етикетці, для правильного використання засобів для чищення. Завжди захищайте очі, шкіру та органи дихання від впливу засобів для чищення.**
16. **Мийка високого тиску не повинна використовуватися в місцях, де можуть бути пари газу.** Електрична іскра може призвести до вибуху або пожежі.
17. Щоб мінімізувати кількість води, що потрапляє в мийку високого тиску, під час роботи пристрій повинен розташовуватися якнайдалі від місця очищення.
18. Для запобігання випадковому розряду пістолет-розпилювач необхідно фіксувати шляхом блокування куркового перемикача, коли він не використовується.
19. Щоб забезпечити вільну циркуляцію повітря, не слід накривати мийку високого тиску під час роботи.
20. **Не дозволяється чіпати, хапати і намагатися закрити отвір або подібний витік води на шлангу високого тиску.** Струмін води знаходиться під високим тиском і може потрапити на шкіру.
21. **Використовуйте тільки шланги та приладдя, розраховані на тиск вище, ніж у вашій мийки високого тиску.** Ніколи не використовуйте приладдя або компоненти інших виробників.
22. Ніколи не порушуйте захисні функції цього виробу.
23. Не використовуйте машину з відсутніми, зламаними чи недозволеними деталями.
24. Ніколи не розпорошуйте легкозаймисті рідини і не використовуйте мийку високого тиску в місцях, що містять горючий пил, рідину або пари.



УВАГА! Ця машина призначена для використання із засобом для чищення, що постачається або рекомендується виробником. Використання інших засобів для чищення або хімікатів може негативно вплинути на безпеку машини.



УВАГА! Під час використання очищувачів високого тиску можуть утворюватися аерозолі. Вдихання аерозолів може бути небезпечним для здоров'я.



УВАГА! Струмені високого тиску можуть бути небезпечні при неправильному використанні. Струмін не слід спрямовувати на людей, електрообладнання під напругою чи саму машину.



УВАГА! Не використовуйте машину в зоні досяжності людей, якщо вони не носять захисний одяг.



УВАГА! Не спрямовуйте струмін на себе чи інших людей для очищення одягу чи взуття.



УВАГА! Небезпека вибуху. Не розпорошуйте легкозаймисті рідини.



УВАГА! Очищувачі високого тиску не повинні використовуватися дітьми або ненавченим персоналом.



УВАГА! Шланги високого тиску, фітинги та муфти відіграють велике значення для безпеки машини. Використовуйте лише шланги, фітинги та муфти, рекомендовані виробником.



УВАГА! Для безпеки машини використовуйте лише оригінальні запасні частини від виробника або схвалені виробником.



УВАГА! Вода, що пройшла через зворотні клапани, вважається непитною.



УВАГА! Під час чищення або технічного обслуговування, а також при заміні деталей машина повинна бути відключена від джерела живлення.



УВАГА! Не використовуйте машину, якщо пошкоджено шнур живлення або важливі частини машини, наприклад, запобіжні пристрої, шланги високого тиску, курковий пістолет.



УВАГА! Невідповідні подовжувачі можуть бути небезпечні. Якщо використовується подовжувач, він повинен бути придатним для використання на відкритому повітрі, а з'єднання має бути сухим і не дотикатися до землі. Для цього рекомендується використовувати котушку для шнура, яка утримує розетку на висоті не менше ніж 60 мм від землі.



УВАГА! Завжди вимикайте вимикач, коли залишаєте машину без нагляду.



УВАГА! Залежно від сфери застосування екрановані форсунки можуть використовуватися для чищення під високим тиском, що значно знижує викид водяних аерозолів. Однак не всі сфери застосування дозволяють використовувати такий пристрій. Якщо для захисту від аерозолів не застосовуються екрановані форсунки, залежно від середовища очищення може знадобитися респіраторна маска класу FFP 2 або її еквівалент.

Безпека оточення

- Цей інструмент не призначений для використання особами (включаючи дітей) зі зниженими фізичними, сенсорними або розумовими можливостями, а також особами, яким бракує досвіду або знань, за винятком випадків, коли такі особи працюють під наглядом або отримали інструкції щодо використання інструмента від особи, яка несе відповідальність за їхню безпеку.
- Уважно слідкуйте за тим, щоб діти не гралися з пристроєм.

Вібрація

Значення вібрації, вказані у технічних даних та у декларації про відповідність, були виміряні з дотриманням стандартних методів тестування, наданих в EN60335-2-79, й їх можна використовувати для порівняння одного інструменту з іншим. Задекларовані значення вібрації можна також використовувати для попереднього оцінювання впливу вібрації.



УВАГА! Значення вібрації під час використання мийки високого тиску може відрізнятись від задекларованого в залежності від способів використання інструмента. Рівень вібрації може перевищувати вказані значення.

Оцінюючи вплив вібрації для визначення заходів безпеки за вимогами 2002/44/ЕС, щоб захистити людей, які регулярно використовують інструменти в роботі, необхідно враховувати реальні умови та способи використання інструмента, у тому числі всі періоди робочого циклу, наприклад час, коли інструмент вимкнено та коли він працює в режимі холостого ходу, а також час, потрібний для запуску інструмента.

Написи на інструменті

Наведені нижче символи нанесені на інструмент разом з кодом дати:



Увага! Щоб зменшити ризик травм, користувач повинен прочитати інструкцію з експлуатації.



Використовуйте засоби захисту очей



Використовуйте засоби захисту слуху.



Машина не підходить для підключення до водопроводу питної води.



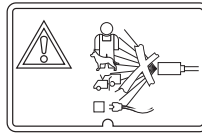
У Директиві 2000/14/ЕС вказана гарантована звукова потужність. ВЕРW1300



У Директиві 2000/14/ЕС вказана гарантована звукова потужність. ВЕР1700



У Директиві 2000/14/ЕС вказана гарантована звукова потужність. ВЕР2000



Ніколи не спрямовуйте струмінь води на людей, тварин, машину або електричні компоненти

Електрична безпека



Цей інструмент має подвійну ізоляцію, тому заземлення не є необхідним. Завжди перевіряйте відповідність джерела живлення напрузі, яка зазначена на таблиці з паспортними даними.

Компоненти

- Шланг високого тиску
- Розпилювальна трубка
- Кнопка форсунки
- Ручка розпилювача
- Держак ручки розпилювача
- Тригерна кнопка блокування
- Курковий перемикач
- Форсунка для перемикачання з віяла розпилу на суцільний струмінь
- Шланговий з'єднувач
- Фільтр
- Пляшка з милом
- Аплікатор для пляшки з милом
- Кнопка під'єднання шланга
- Інструмент для очищення форсунки
- Турбофорсунка (ВЕРW2000)
- Блок мийки високого тиску
- Дисковий регулятор «Увімк/Вимк.»
- Ручка
- Висувна ручка (ВЕРW1700, ВЕРW2000)
- Випуск для води високого тиску

21. Фіксувальний гачок для шнура
22. Шнур живлення

Монтаж



УВАГА! Перед виконанням будь-якої з наступних операцій переконайтесь, що інструмент вимкнений та відключений від мережі живлення.

Встановлення ручки розпилювача (рис. В)

1. Щоб під'єднати ручку розпилювача (4) до розпилювальної трубки (2), вставте кінець ручки розпилювача в кінець розпилювальної трубки.
2. Натисніть і поверніть ручку розпилювача проти годинникової стрілки, щоб зафіксувати її.

Під'єднання шланга високого тиску (рис. С)



ПРИМІТКА. Ніколи не тягніть за шланг високого тиску або шланг подачі води, щоб пересунути мийку високого тиску. Це може пошкодити шланг та/або впускання та/або випуск насоса.

1. Щоб під'єднати шланг високого тиску (1) до ручки розпилювача (4), натисніть кнопку під'єднання шланга (13), вставивши кінець шланга (23) у ручку розпилювача. Відпустіть кнопку під'єднання шланга, коли кінець шланга зафіксується на місці.
2. Щоб під'єднати шланг високого тиску до мийки високого тиску (16), нагвинтіть шлангову муфту (24) на випуск води високого тиску (20).

ПРИМІТКА. Перед установкою розмотайте шланг високого тиску, щоб запобігти перегибам.

ПРИМІТКА. Під час установки шланга не допускайте заїдання різьблення. Заїдання різьблення призведе до витоків.

Під'єднання садового шланга (рис. D, K2)

ПРИМІТКА. Перш ніж під'єднати садовий шланг до мийки високого тиску, пропустіть воду через садовий шланг протягом тридцяти секунд, щоб видалити сміття зсередини садового шланга.

1. Щоб під'єднати садовий шланг до блоку мийки високого тиску (16), прикрутіть фільтр (10) до водозабірника (25).
2. Під'єднайте садовий шланг до з'єднувача для шланга (9), послабивши гвинт садового з'єднувача та приєднавши шланг до з'єднувача. Під'єднайте садовий шланг до з'єднувача для шланга (9), нагвинтивши садовий шланг на садовий з'єднувач.
3. Вставте садовий шланг (28), прикріплений до садового з'єднувача, у фільтр (10), до клацання.

ПРИМІТКА. Завжди від'єднуйте садовий шланг після використання.

Встановлення форсунок (рис. А, Е)



НЕБЕЗПЕЧНО! Ризик впорскування рідини. Не спрямовуйте струмінь розряду на людей, незахищену шкіру, очі або домашніх чи хижих тварин. Відбудеться серйозна травма.



УВАГА! Предмети, що розлітаються, можуть стати причиною серйозних травм. НЕ НАМАГАЙТЕСЯ міняти форсунок під час роботи мийки високого тиску. Перед заміною форсунок вимкніть мийку високого тиску.

1. Щоб під'єднати форсунку до розпилювальної трубки (2), натисніть кнопку форсунок (3) на розпилювальній трубці та вставте відповідну форсунку.
2. Відпустіть кнопку, щоб зафіксувати форсунку на місці.
3. Сильно потягніть за форсунку, щоб переконатися, що вона зафіксована на місці.

Форсунок для перемикання з віяла розпилю на суцільний струмінь

Налаштування форми віяла розпилю (рис. Е1)

Кут розпилення, що виходить із розпилювальної трубки, можна регулювати обертанням форсунок. Це дозволить змінити форму розпилення з вузького сильноударного (приблизно 0 °) струменя на широке (60 °) віяло розпилю струменя.

За допомогою широкої форми віяла розпилю удар води розподіляється по більшій площі, призводячи до відмінного чищення зі знизеним ризиком пошкодження поверхні. Великі площі поверхні можна очищати швидше за допомогою широкої форми віяла розпилю.

Вузький суцільний струмінь розподіляє удар води у зосередженій зоні, призводячи до високої сили удару по поверхні, що очищується. Використовуйте вузький суцільний струмінь для глибокого очищення у зосередженій зоні. Однак використовуйте його з обережністю, оскільки він може пошкодити деякі поверхні.

Встановлення пляшки з милом (рис. J4)

Щоб під'єднати пляшку з милом (11) до ручки розпилювача (4), вставте кінець пляшки з милом усередину ручки розпилювача та поверніть пляшку з милом проти годинникової стрілки для фіксації.

ПРИМІТКА. Розпилювальну трубку й пляшку з милом неможливо встановити одночасно.

ПРИМІТКА. Пляшку з милом слід розташувати під стволом ручки розпилювача. Не розміщуйте пляшку з милом над стволом пластикового пістолета, оскільки це призведе до капання мила на ствол.

Форсунка для перемикачів з віяла розпилювача на суцільний струмінь	Для дбайливого чищення широкі зони.
Турбофорсунка	Для абразивного чищення. (Йде лише у комплект з моделлю ВЕРW2000)

Експлуатація



УВАГА! Щоб знизити ризик серйозних травм, вимкніть пристрій та відключіть його від мережі живлення перед виконанням будь-яких налаштувань або змінням/встановленням насадок або приладів. Випадковий запуск може призвести до травм.

Належне положення рук (рис. F)



УВАГА! Щоб знизити ризик серйозних травм, **ЗАВЖДИ** правильно розташуйте руки, як показано на рисунку.



УВАГА! Щоб знизити ризик серйозних травм, **ЗАВЖДИ** надійно тримайте інструмент, щоб попередити випадкову віддачу.

При правильному положенні рук необхідно одну руку тримати на державці ручки розпилювача (5), а іншу – на ручці розпилювача (4).

Миття під тиском

Підготовка поверхні до очищення

- Приберіть із робочої зони предмети, які можуть становити небезпеку, наприклад, дитячі іграшки або вуличні меблі.
- Переконайтеся, що всі двері і вікна щільно закриті.
- Захистіть всі рослини і дерева на прилеглий території дрантями, щоб вони не постраждали від надмірного розпилення.
- Попередньо промийте ділянку, що очищається, прісною водою.
- Використовуйте лише миючі засоби, розроблені для мийок високого тиску.
- Завжди тестуйте миючий засіб на непомітній ділянці перед використанням.

Підготовка мийки високого тиску до використання (K1, K2, K3, K4)



НЕБЕЗПЕЧНО! Ризик впорскування рідини і розриву. При використанні налаштування високого тиску НЕ допускайте контакту розпилювача високого тиску з незахищеною шкірою, очима або будь-якими домашніми тваринами чи хижакими. Відбудеться серйозна травма.



ОБЕРЕЖНО! Перед експлуатацією:

1. Підключіть садовий шланг до джерела води. Воду можна набрати з крана або іншого джерела води. Див. тему **Самовсмоктування** в розділі **Підготовка блоку мийки високого тиску до використання**.
2. Під'єднайте шланг високого тиску до мийки високого тиску і ручки розпилювача. Інструкції щодо під'єднання шланга високого тиску до мийки високого тиску і ручки розпилювача див. в темі **Під'єднання шланга високого тиску** в розділі **Збирання і регулювання**.
3. Підключіть садовий шланг до мийки високого тиску. Інструкції по підключенню подачі води до мийки високого тиску див. в темі **Під'єднання садового шланга** в розділі **Збирання і регулювання**.
4. Підключіть шнур живлення до відповідного джерела живлення.

Підготовка ручки розпилювача (рис. A)

ВАЖЛИВО! Перш ніж увімкнути блок мийки високого тиску, відпустіть тригерну кнопку блокування (6) і натисніть курковий перемикач (7).

1. Відпустіть тригерну кнопку блокування (6).
2. Натисніть курковий перемикач (7). Утримуйте курковий перемикач протягом 30 секунд, щоб очистити систему повітря.
3. Якщо в струмені води все ще є повітря, продовжуйте пропускати воду через ручку розпилювача.

Підключення до води



УВАГА! Відповідно до чинних норм забороняється використовувати прилад в мережі питної води без системного сепаратора.



Використовуйте системний сепаратор згідно з IEC 61770, тип VA. Вода, що тече крізь системний сепаратор, вважається непридатною для пиття.

- Дотримуйтеся правил вашої водопостачальної компанії.
- Усі з'єднувальні шланги повинні мати відповідні герметичні з'єднання.
- Переконайтеся, що шланг подачі має діаметр принаймні 12,7 мм і є армованим.
- Забороняється використовувати прилад на водопроводі питної води без зворотного клапана. Вода, яка пройшла крізь зворотний клапан, вважається непридатною для пиття.

Очищення поверхні (рис. А)

- Щоб запустити мийку високого тиску, поверніть дисковий регулятор «Увімк/Вимк» (17) в увімкнене положення.
- Переконайтеся, що водопровідний кран відкритий, або скористайтеся будь-яким іншим джерелом води, щоб вода надходила до мийки високого тиску.
- Найкращий кут розпилення води на поверхню, що очищається, становить 45 °.
 - Розпилювальна голівка зазвичай призводить до потрапляння частинок бруду на поверхню.
 - При роботі з вертикальними поверхнями найкраще наносити миючий засіб, починаючи знизу і рухаючись вгору, щоб запобігти підтіканню миючого засобу вниз і появи розводів.
- Щоб деактивувати ручку розпилювача, відпустіть курковий перемикач.

ПРИМІТКА. Надмірний тиск насоса може бути результатом засмічення форсунки. Завжди вимикайте блок мийки високого тиску і відключайте його від мережі живлення, перш ніж намагатися очистити форсунку від засмічення.

Миючі засоби (J1, J2, J3, J4)

Щоб дізнатися більше про встановлення пляшки з миючим засобом/милом, див. тему **Встановлення пляшки з милом** у розділі **Збирання і регулювання**.

Використання миючих засобів може значно скоротити час очищення та допомогти видалити важкі плями. Деякі миючі засоби налаштовані для використання в мийках високого тиску для виконання спеціальних завдань з очищення.

Очищувальна здатність миючих засобів полягає в тому, що вони наносяться на поверхню і дають хімікатам час на руйнування бруду та кіптяви. Миючі засоби найкраще працюють при низькому тиску.

Дуже ефективним є поєднання дії хімікату та ополіскування під високим тиском.

На вертикальній поверхні наносьте миючий засіб, починаючи знизу, і рухайтесь вгору. Це дозволить запобігти підтіканню миючого засобу вниз і появи розводів. Ополіскування під високим тиском також має відбуватися знизу вгору. Для особливо стійких плям може знадобитися використання щітки у поєднанні з миючими засобами та ополіскуванням під високим тиском.

Переміщення мийки високого тиску (рис. А)

- Вимкніть блок мийки високого тиску (16), повернувши дисковий регулятор «Увімк/Вимк» (17) у вимкнене положення, а потім вимкніть подачу води.
- Направте розпилювальну трубку (2) у безпечному напрямку та натисніть курковий перемикач (7), щоб скинути тиск води, що залишилась.

- Коли розпилювальна трубка повністю спорожніє, підніміть мийку високого тиску за ручку (18).

Вимкнення (рис. А, D)

- Вимкніть блок мийки високого тиску (16), повернувши дисковий регулятор «Увімк/Вимк» (17) у вимкнене положення, і витягніть вилку шнура із розетки.
- Вимкніть воду у крані або від'єднайтеся від будь-якого іншого джерела води.
- Скинть залишковий тиск, натиснувши курковий перемикач (7), поки вода не перестане витікати з розпилювальної трубки (2).
- Активуйте тригерну кнопку блокування (6).
- Від'єднайте садовий шланг (28) від водозабірника (25).
- Від'єднайте шланг високого тиску (1) від випуску води високого тиску (20) і зливний шланг.

Самовсмоктування (рис. А, С, D, K1, K2, K3, K4)

- Підключіть впускний шланг до мийки високого тиску. Див. тему **Під'єднання садового шланга** в розділі **Збирання і регулювання**.
- Помістіть вільний кінець шланга з приєднаним фільтром в альтернативне джерело води (наприклад, відро тощо)
- Від'єднайте шланг високого тиску до ручки розпилювача. Див. тему **Під'єднання шланга високого тиску** в розділі **Збирання і регулювання**.
- Підключіть блок мийки високого тиску до джерела живлення.
- Увімкніть мийку високого тиску, повернувши дисковий регулятор «Увімк/Вимк.» в увімкнене положення.
- Вимкніть мийку високого тиску, щойно з вихідної трубки блока почне бризкати вода.
- Від'єднайте блок мийки високого тиску від джерела живлення.
- Приєднайте шланг високого тиску до вихідної трубки насоса.
- Підключіть блок мийки високого тиску до джерела живлення.
- Увімкніть мийку високого тиску, повернувши дисковий регулятор «Увімк/Вимк.» в увімкнене положення.
- Натисніть на курковий перемикач ручки розпилювача, щоб почати очищення.

Технічне обслуговування

Ваш інструмент виробництва компанії BLACK+DECKER призначений для роботи протягом тривалого часу з мінімальним обслуговуванням. Довга задовільна робота приладу залежить від належного обслуговування інструмента та регулярного його очищення.



УВАГА! Перед виконанням будь-якого обслуговування інструмента.

- ♦ Регулярно очищуйте вентиляційні отвори інструмента, використовуючи м'яку щітку чи суху тканину.
- ♦ Регулярно очищуйте корпус двигуна використовуючи вологу тканину. Не використовуйте абразивні очищувачі та засоби, що містять розчинники.

- Розпилювальну трубку (2) можна зберігати на задній частині пристрою за допомогою кронштейна (26), як показано на рис. I.

Очищення

Очищення форсунки (рис. А, G)

Якщо форсунка забивається сторонніми матеріалами, наприклад брудом, може виникнути надмірний тиск. Якщо форсунка частково забивається або звукується, тиск насоса буде коливатися. негайно очистіть форсунку за допомогою засобу для чищення форсунок.

1. Вимкніть і відключіть від мережі живлення блок мийки високого тиску (16).
2. Відключіть подачу води.
3. Натисніть курковий перемикач (7) на ручці розпилювача (4), щоб скинути тиск води.
4. Зніміть форсунку з розпилювальної трубки (2), натиснувши кнопку (3).
5. Використовуючи інструмент для очищення форсунки (14), видаліть сміття із форсунки.
6. Пропустіть воду з крана або садового шланга крізь форсунку.

Очищення фільтра (рис. А, L)

Перевіряйте фільтр (10) перед кожним використанням та очищайте, якщо необхідно. Зніміть фільтрувальний елемент і промийте під чистою водою, щоб видалити сміття.

Зберігання (рис. Н, I)

- Зберігати в сухому закритому місці при температурі вище точки замерзання. **ЗБЕРІГАТИ У ПРИМІЩЕННІ.**
- Завжди повністю зливайте воду зі шланга високого тиску, мийки високого тиску, форсунок та розпилювальної трубки.
- Форсунки можна зберігати в пристрої, як показано на рис. Н. **ПРИМІТКА.** Турбофорсунки (BERW2000) або форсунки для перемикачання з віяла розпили на суцільний струмінь можна зберігати на розпилювальній трубці.
- Шнур живлення можна зберігати згорнутим і закріпити за допомогою фіксувального гачка для шнура (21), як показано на рис. I.
- Шланг високого тиску (1) можна зберігати згорнутим і закріпити на ручці (18) за допомогою гачка та ремінь-засувки (27), як показано на рис. I.
- Ручку розпилювача (4) можна зберігати на задній частині пристрою за допомогою кронштейна (26), як показано на рис. I.

Заміна шнура живлення (тільки для Великої Британії та Ірландії)

Якщо потрібно встановити нову вилку, виконайте кілька дій:

- ♦ Зніміть стару вилку та утилізуйте її, дотримуючись правил техніки безпеки.
- ♦ Приєднайте коричневий провідник до активного виходу нової вилки.
- ♦ Приєднайте блакитний провідник до нейтрального виходу.



УВАГА! Жоден провід не повинен бути підключений до клеми заземлення. Дотримуйтеся інструкцій щодо налаштування, що постачаються з якісними вилками.

Плакий запобіжник, що рекомендується: 13 А.

Захист навколишнього середовища



Роздільний збір. Пристрої та акумулятори, позначені цим символом, не можна викидати зі звичайним побутовим сміттям.

Пристрої та батареї містять матеріали, які можна відновити та переробити, що зменшить потребу у сировині.

Будь ласка, віддавайте електричні інструменти та акумулятори на переробку відповідно до місцевих постанов. Більш детальну інформацію можна отримати на сайті www.2helpU.com

Технічні характеристики

	BERW1300	BERW1700	BERW2000
Тип	1	1	1
Електроживлення	1300 Вт	1700 Вт	2000 Вт
Номінальна швидкість потоку	5,2 л/хв.	5,5 л/хв.	5,8 л/хв.
Максимальна швидкість потоку	6,6 л/хв.	6,8 л/хв.	7,5 л/хв.
Номінальний тиск (бар/PSI/MPa)	74/1073/7,4	83,5/1211/8,35	105/1523/10,5
Максимальний тиск (бар/PSI/MPa)	110/1600/11	125/1800/12,5	150/2100/15
Температура води	50° C	50° C	50° C
Вхідна вода	Холодна чиста вода	Холодна чиста вода	Холодна чиста вода
Гарантований рівень звукової потужності L _{max} дБ(A)	92	91	93

Декларація про відповідність нормам ЄС

ДИРЕКТИВА ДЛЯ МЕХАНІЧНОГО ОБЛАДНАННЯ
ДИРЕКТИВА ПРО ШУМИ, ЩО ВИНИКАЮТЬ ПОЗА
ПРИМІЩЕННЯМИ



Очищувач високого тиску VERW1300, VERW1700,
VERW2000

Компанія Black & Decker заявляє, що продукти, описані в розділі «Технічні дані» відповідають: 2006/42/EC, EN 60335-1:2012+A11:2014+A13:2017+A1:2019+A14:2019+A2:2019, EN60335-2-79:2012. 2000/14/EC, додаток V

VERW1300:

Вимірний рівень звукової потужності: L_{WA} : 89,0 дБ(A);
K=2,8 дБ(A)

Рівень гарантованої звукової потужності L_{WA} : 92 дБ(A)

VERW1700:

Вимірний рівень звукової потужності: L_{WA} : 88 дБ(A); K=2,2 дБ(A)

Рівень гарантованої звукової потужності L_{WA} : 91 дБ(A)

VERW2000:

Вимірний рівень звукової потужності: L_{WA} : 91,0 дБ(A);
K=1,4 дБ(A)

Рівень гарантованої звукової потужності L_{WA} : 93 дБ(A)

Ці вироби також відповідають вимогам Директив 2014/30/EU та 2011/65/EU. Для отримання додаткової інформації зверніться до компанії Black & Decker за наступною адресою або прочитайте інформацію на зворотній стороні цього посібника. Особа, яка підписалася нижче, несе відповідальність за упорядкування файлу технічних характеристик та робить цю заяву від компанії Black & Decker.

Patrick Diepenbach

Патрік Діпенбах (Patrick Diepenbach)
Керуючий директор, Бенелюкс
Black and Decker,
Egide Walschaertsstraat 14-18
2800 Mechelen, Бельгія
30.12.2021

	VERW1300	VERW1700	VERW2000
Макс. тиск на вході, МПа	1,0	1,0	1,0
Захист двигуна	IPX5	IPX5	IPX5
Тип двигуна	Щітковий	Щітковий	Щітка
Насос	Алюміній	Алюміній	Алюміній
Самовсмоктування	Так	Так	Так
Довжина шланга	3 м	5 м	6 м
Вбудований фільтр	Так	Так	Так
Маса	4,9 кг	6,3 кг	8,2 кг
Сила віддачі пістолета при макс. тиску	21 Н	21 Н	21 Н

Дані з тестування шуму та вібрації:

VERW1300:

Рівень тиску звукового випромінювання L_{PA} : 77,0 дБ(A);

K=3,0 дБ(A)

Вимірний рівень звукової потужності: L_{WA} : 89,0 дБ(A);

K=2,8 дБ(A)

Значення вібрації ah: менше ніж 2,5 м/с²; K=0,6 м/с²

VERW1700:

Рівень тиску звукового випромінювання L_{PA} : 75 дБ(A); K=3 дБ(A)

Вимірний рівень звукової потужності: L_{WA} : 88 дБ(A); K=2,2 дБ(A)

Вібрація:

Значення вібрації ah: менше ніж 2,5 м/с²; K=0,5 м/с²

VERW2000:

Рівень тиску звукового випромінювання L_{PA} : 78 дБ(A);
K=3,0 дБ(A)

Вимірний рівень звукової потужності: L_{WA} : 91,0 дБ(A);
K=1,4 дБ(A)

Значення вібрації ah: менше ніж 2,5 м/с²; K=0,6 м/с²

Гарантія

Компанія Black & Decker упевнена в якості своєї продукції та пропонує споживачам гарантію тривалістю 24 місяці від дати купівлі. Ця гарантія доповнює і жодним чином не обмежує ваші законні права. Ця гарантія є чинною на території країн-членів Європейського союзу та в європейській зоні вільної торгівлі і Великої Британії.

Позив за гарантією повинен відповідати умовам компанії Black & Decker, при цьому вам необхідно буде надати доказ покупки продавцю або спеціалісту офіційного сервісного центру. Про умови 2-річної гарантії компанії Black & Decker та місцезнаходження найближчого до вас сервісного центру можна дізнатися в інтернеті на сайті www.2helpU.com, або можна звернутися до місцевого представництва компанії Black & Decker за адресою, вказаною у цьому посібнику.

Будь ласка, відвідайте наш сайт www.blackanddecker.ua, щоб зареєструвати свій новий продукт Black & Decker та отримувати інформацію про нові продукти та спеціальні пропозиції.



Виробник:
"Stanley Black & Decker Deutschland
GmbH" Black-&-Decker Str.40, D-65510
Idstein, Німеччина

ПОШУК ТА УСУНЕННЯ НЕСПРАВНОСТЕЙ



УВАГА! Ризик небезпечної операції. Перед обслуговуванням витягніть вилку з розетки або вимкніть електроживлення, вимкніть подачу води, скиньте залишковий тиск і активуйте кнопку блокування ручки розпилювача.

ПРОБЛЕМА	ПРИЧИНА	УСУНЕННЯ
Двигун не запускається.	Пристрій не підключений до мережі живлення.	Вставте кабель живлення.
	Вимикач УВІМК/ВИМК. знаходиться в положенні ВИМК.	Переведіть вимикач у положення УВІМК.
	Курковий перемикач розпилювальної трубки не натиснутий.	Натисніть курковий перемикач із вимкненим положенні.
Пристрій не досягає високого тиску.	Кран для води не повністю увімкнений.	Повністю відкрийте кран для води.
	Вхідний водяний фільтр забитий.	Вийміть фільтр і промийте до очищення.
	Форсунка зношена.	Замініть на нову форсунку.
	Насос засмоктує повітря.	Перевірте герметичність шлангів і фітінгів. Вимкніть машину та продуйте насос, натиснувши курок пістолета, доки за форсунки не почне витікати вода постійним потоком.
	Подача води обмежена.	Перевірте шланг подачі води на наявність перегинів, витоків й забиття.
	Пристрій неправильно виконує самовсмоктування	Див. тему «Самовсмоктування» в розділі «Збирання і регулювання»
Вхідний тиск змінюється у більший/менший бік.	Недостатня подача вхідної води.	Увімкніть воду на повну силу – перевірте шланг на витоків та перегини.
	Насос засмоктує повітря.	Перевірте герметичність шлангів і фітінгів. Вимкніть машину та продуйте насос, натиснувши курок пістолета, доки за форсунки не почне витікати вода постійним потоком.
	Засмічена сітка водозабірника.	Щоб усунути засмічення, змийте його водою.
	Вихідна форсунка забита.	Видуйте або видаліть сміття.
З'єднувач садового шланга протікає.	Послаблена арматура.	Затягніть арматуру.
	Відсутня/зношена гумова шайба.	Замініть шайбу в адаптері шланга.
Розпилювальна трубка протікає.	Розпилювальна трубка не прикріплена належним чином.	Вставте розпилювальну трубку в ручку розпилювача. Натисніть і поверніть, щоб зафіксувати розпилювальну трубку на місці.
	Зламане ущільнювальне кільце.	Зверніться до місцевого дилера.
Насос занадто шумний.	Насос засмоктує повітря.	Перевірте герметичність шлангів і фітінгів. Вимкніть машину та продуйте насос, натиснувши курок пістолета, доки за форсунки не почне витікати вода постійним потоком.
Витік води з насоса.	Послаблена арматура.	Перевірте міцність затягнення усієї арматури.
	Водяні ущільнювачі пошкоджені або зношені.	Зверніться до місцевого дилера.
Витік мастила.	Масляні ущільнювачі пошкоджені або зношені.	Зверніться до місцевого дилера.
Двигун гуде, але не працює.	Напруга живлення нижче мінімальної.	Переконайтеся, що в цьому ланцюзі працює тільки мийка високого тиску.
	У системі є залишковий тиск.	Вимкніть пристрій, натисніть курковий перемикач на розпилювальній трубці, щоб зменшити тиск, а потім увімкніть пристрій.
	Втрата напруги через подовжувач.	Підключіть пристрій безпосередньо до розетки.
	Очищувач не використовувався тривалий час.	Зверніться до місцевого дилера.
Немає миючого засобу.	Контейнер для миючого засобу порожній.	Додайте більше миючого засобу.
	Пляшка з миючим засобом або всмоктувальна трубка під'єднані неналежним чином.	Перевірте з'єднання.
	Миючий засіб занадто густий.	Використовуйте миючий засіб, рекомендований лише для мийок високого тиску.
	Фільтр на всмоктувальній трубці миючого засобу засмічений.	Пропустіть теплу воду через фільтр, щоб видалити сміття.
	Пошкоджена або забита всмоктувальна трубка для миючого засобу.	Усуньте перешкоди або замініть всмоктувальну трубку для миючого засобу.
	Вихідна форсунка забита.	Видуйте або видаліть сміття.



ГАРАНТІЙНИЙ ТАЛОН

2 РОКИ ГАРАНТІЇ

- Вітаємо Вас з покупкою високоякісного виробу Black+Decker і висловлюємо вдячність за Ваш вибір.
- При покупці виробу вимагайте перевірки його комплектності і справності у Вашій присутності, інструкцію з експлуатації та заповнений гарантійний талон українською мовою. В гарантійному талоні повинні бути внесені: модель, дата продажу, серійний номер, дата виробництва інструменту; назва, печатка і підпис торгової організації. За відсутності у Вас правильно заповненого гарантійного талону, а також при невідповідності зазначених у ньому даних ми будемо змушені відхилити Ваші претензії щодо якості даного виробу.
- Щоб уникнути непорозуміння, переконливо просимо Вас перед початком роботи з виробом уважно ознайомитися з інструкцією з його експлуатації. Правовою основою справжніх гарантійних умов є чинне Законодавство. Гарантійний термін на даний виріб складає 24 місяці і обчислюється з дня продажу. У разі усунення недоліків виробу, гарантійний строк продовжується на період його перебування в ремонті. Термін служби виробу становить 5 років з дня продажу.
- У разі виникнення будь-яких проблем у процесі експлуатації виробу рекомендуємо Вам звертатися тільки в уповноважені сервісні центри Black+Decker, адреси та телефони яких Ви зможете знайти в гарантійному талоні, на сайті www.2helpU.com або дізнатися в магазині. Наші сервісні станції - це не тільки кваліфікований ремонт, але і широкий асортимент запчастин і аксесуарів.
- Виробник рекомендує проводити періодичну перевірку і технічне обслуговування виробу в уповноважених сервісних центрах.
- Наші гарантійні зобов'язання поширюються тільки на несправності, виявлені протягом гарантійного терміну і викликані дефектами виробництва та \ або матеріалів.
- Гарантійні умови не поширюються на несправності виробу, що виникли в результаті:
 - Недотримання користувачем приписів інструкції з експлуатації виробу, застосування виробу не за призначенням, неправильного зберігання, використання приладдя, витратних матеріалів і запчастин, що не передбачені виробником.
 - Механічного пошкодження (відколю, тріщини і руйнування) внутрішніх і зовнішніх деталей виробу, основних і допоміжних рукояток, мережевого кабелю, що викликані зовнішнім ударним або будь-яким іншим впливом
 - Потраплення у вентиляційні отвори та проникнення всередину виробу сторонніх предметів, матеріалів або речовин, що не є відходами, які супроводжують застосування виробу за призначенням, такими як: стружка, тирса, пісок, та ін.
 - Впливу на виріб несприятливих атмосферних і інших зовнішніх факторів, таких як дощ, сніг, підвищена вологість, нагрівання, агресивні середовища, невідповідність параметрів електромережі, що зазначені на інструменті.
 - Стихійного лиха. Пошкодження або втрати виробу, що пов'язані з непередбаченими лихами, стихійними явищами, у тому числі внаслідок дії непереборної сили (пожежа, блискавка, потоп і інші природні явища), а також внаслідок перепадів напруги в електромережі та іншими причинами, які знаходяться поза контролем виробника.
- Гарантійні умови не поширюються:
 - На інструменти, що піддавались розкриттю, ремонту або модифікації поза уповноваженим сервісним центром.
 - На деталі, вузли та матеріали, що мають сліди природного зносу, такі як: приводні реміні і колеса, вугільні щітки, мастило, підшипники, зубчасті зчеплення редукторів, гумові ущільнення, сальники, направляючі ролики, муфти, вимикачі, бойки, штовхачі, стволи тощо.
 - На змінні частини: патрони, цанги, затискні гайки і фланці, фільтри, ножі, шліфувальні підшови, ланцюги, зірочки, пильні шини, захисні кошуки, пилки, абразиви, пильні і абразивні диски, фрези, свердла, бури тощо
 - На несправності, що виникли в результаті перевантаження інструменту (як механічного, так і електричного), що спричинили вихід з ладу одночасно двох і більше деталей і вузлів, таких як: ротора і статора, обох обмоток статора, веденої і ведучої шестерні редуктора або інших вузлів і деталей. До безумовних ознак перевантаження виробу відносяться, крім інших: поява кольорів мільниці, деформація або оплавлення деталей і вузлів виробу, потемніння або обуглювання ізоляції проводів електроприводу під впливом високої температури.

Товар отриманий в справному стані, без видимих ушкоджень, в повній комплектації, перевірений у моїй присутності, претензій щодо якості товару не маю. З умовами гарантійного обслуговування ознайомлений і згоден.

П. І. Б. та підпис власника _____

Шановні клієнти, наша мережа авторизованих сервісних центрів постійно розширюється. Актуальну інформацію про обслуговування в місті, що цікавить вас, ви можете дізнатися на сайті

www.2helpU.com

Редакція ВК/12-12-2018

Інформація про інструмент

Найменування інструменту	
Модель	
Найменування продавця	
Дата продажу	

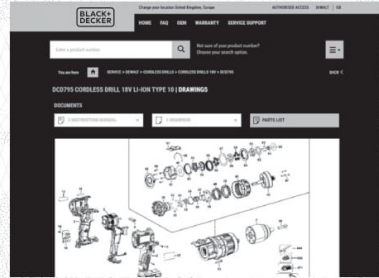
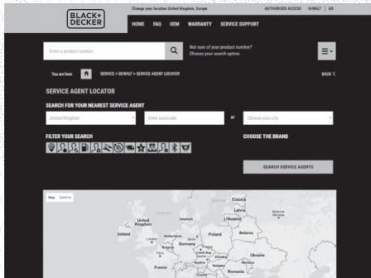
Серійний номер/Дата виробництва

Інструмент	
Зарядний пристрій	
Акумулятор 1	
Акумулятор 2	

М.П.
Продавця

На сайті www.2helpU.com доступні наступні функції:

- Список авторизованих сервісних центрів
- Зручний пошук найближчого сервісного центру
- Керівництво з експлуатації
- Технічні характеристики
- Список деталей і запасних частин
- Схема складання інструменту



Також дану інформацію ви можете отримати, зателефонувавши за номером:
0 (800) 211 521 в Україні

ВІДІТКА ПРО ПРОВЕДЕННЯ СЕРВІСНОГО ОБСЛУГОВУВАННЯ

№1	№2	№3	№4
№ замовлення	№ замовлення	№ замовлення	№ замовлення
Дата прийому	Дата прийому	Дата прийому	Дата прийому
Дата ремонту	Дата ремонту	Дата ремонту	Дата ремонту
Печатка і підпис сервісного центру	Печатка і підпис сервісного центру	Печатка і підпис сервісного центру	Печатка і підпис сервісного центру

