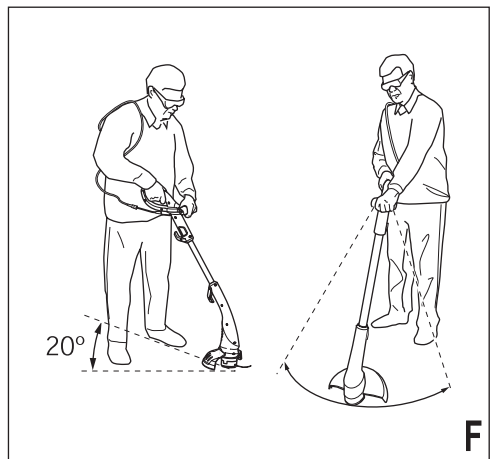
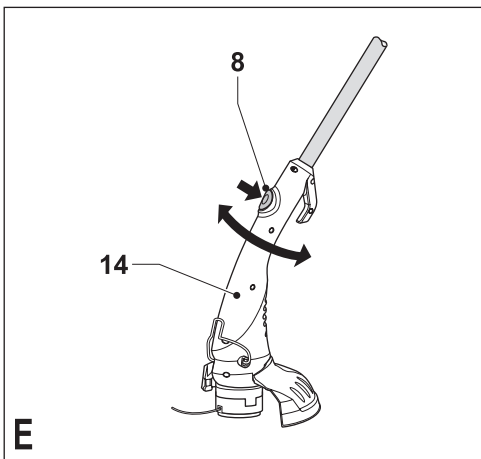
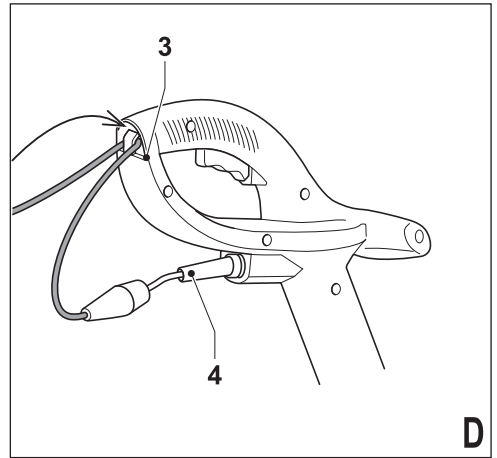
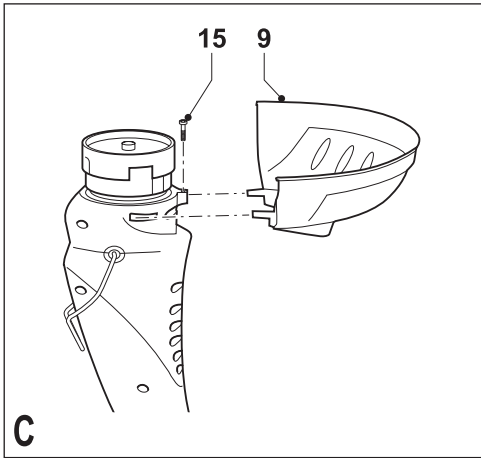
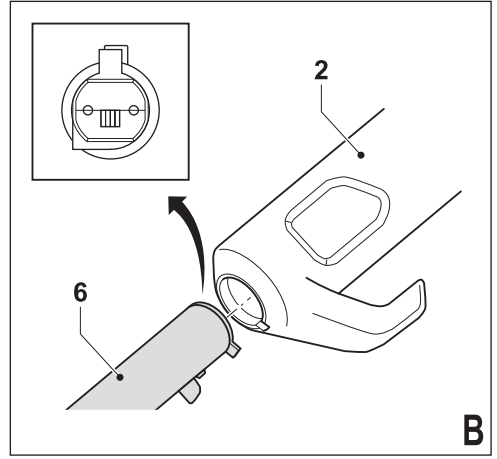
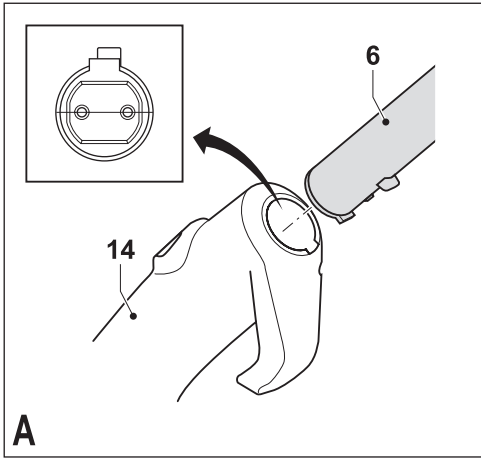
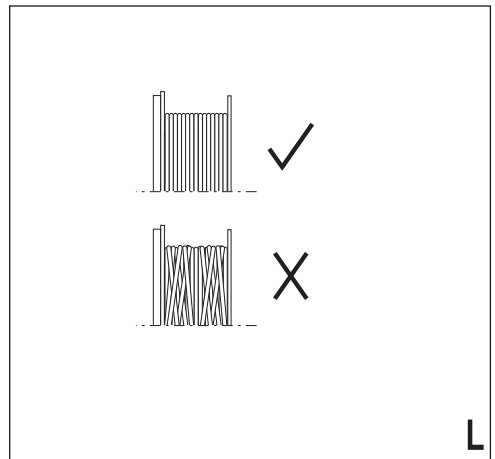
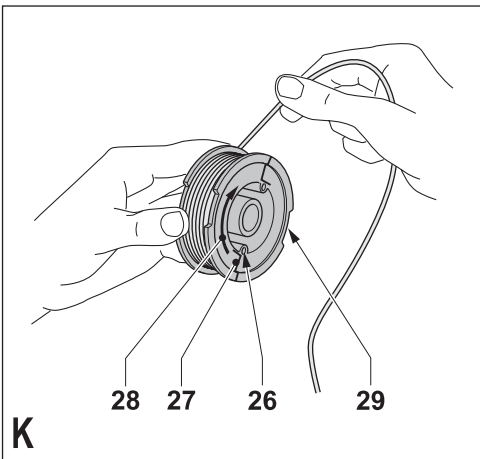
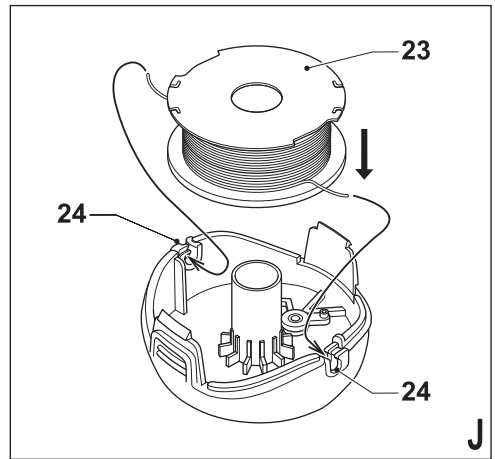
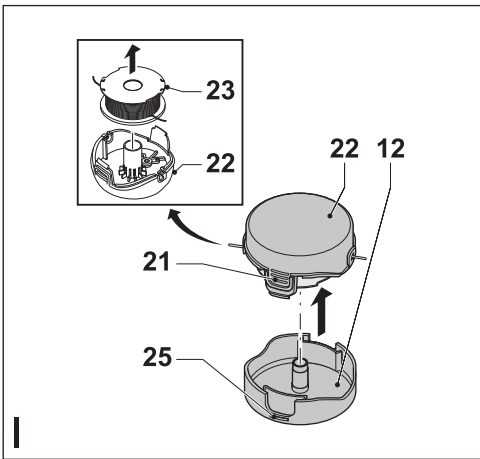
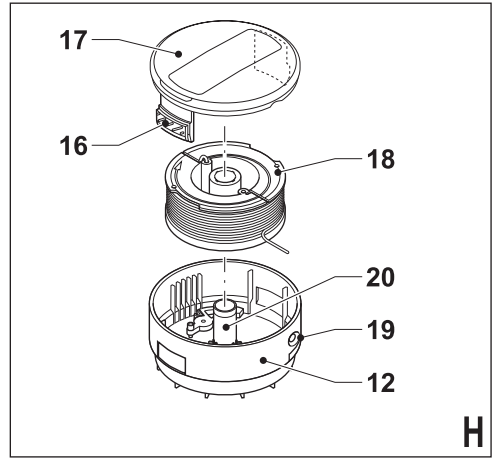
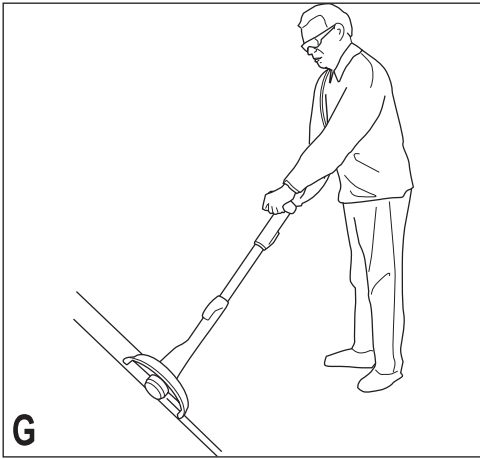
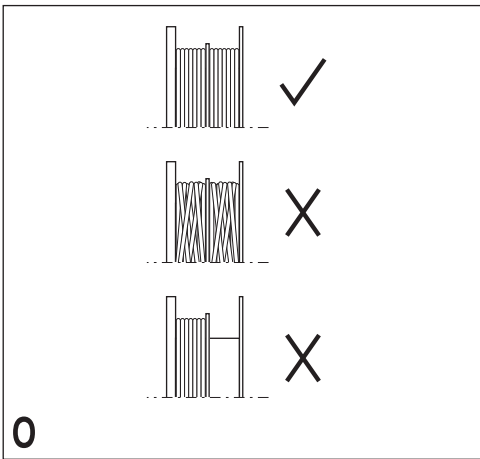
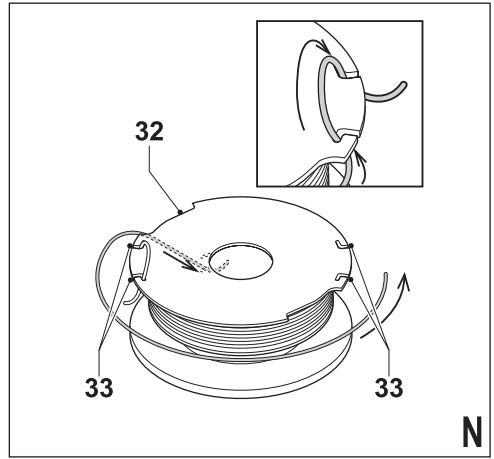
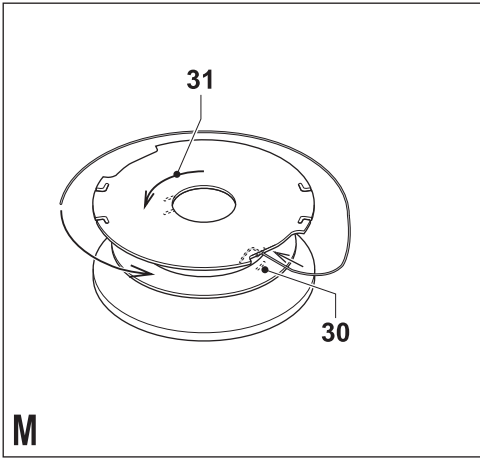


GL280
GL301
GL315
GL337
GL350

| | | |
|---------------------|--|-----------|
| English | (Original instructions) | 6 |
| Deutsch | (Übersetzung der Originalanleitung) | 12 |
| Français | (Traduction des instructions d'origine) | 19 |
| Česky | (Přeloženo z původního návodu) | 26 |
| Magyar | (Fordítás az eredeti kezelési utasítás alapján készült) | 33 |
| Polski | (Tłumaczenie oryginalnej instrukcji) | 40 |
| Slovenčina | (Preložené z pôvodného návodu) | 47 |
| Русский язык | (Перевод с оригинала инструкции) | 54 |
| Українська | (Переклад оригінальних інструкцій) | 62 |
| Türkçe | (Çevirisi orijinal talimatlardan yapılmıştır) | 70 |







Intended use

Your Black & Decker trimmer has been designed for trimming and finishing lawn edges and to cut grass in confined spaces. This appliance is intended for consumer use only.

Safety instructions

Warning! When using mains-powered appliances, basic safety precautions, including the following, should always be followed to reduce the risk of fire, electric shock, personal injury and material damage.

- ◆ Read all of this manual carefully before operating the appliance.
- ◆ The intended use is described in this manual. The use of any accessory or attachment or the performance of any operation with this appliance other than those recommended in this instruction manual may present a risk of personal injury.
- ◆ Retain this manual for future reference.

Using your appliance

Always take care when using the appliance.

- ◆ Always use safety glasses or goggles.
- ◆ Never allow children or people unfamiliar with the instructions to use the appliance.
- ◆ Do not allow children or animals to come near the work area or to touch the appliance or power supply cord.
- ◆ Close supervision is necessary when the appliance is used near children.
- ◆ This appliance is not intended for use by young or infirm persons without supervision.
- ◆ This appliance is not to be used as a toy.
- ◆ Only use the appliance in daylight or good artificial light.
- ◆ Use in a dry location only. Do not allow the appliance to become wet.
- ◆ Do not immerse the appliance in water.
- ◆ Do not open the body casing. There are not user serviceable parts inside.
- ◆ Do not operate the appliance in explosive atmospheres, such as in the presence of flammable liquids, gases or dust.
- ◆ To reduce the risk of damage to plugs or cords, never pull the cable to remove the plug from a socket.

Safety of others

- ◆ This appliance is not intended for use by persons (including children) with reduced physical, sensory or mental capabilities, or lack of experience and knowledge, unless they have been given

supervision or instruction concerning use of the appliance by a person responsible for their safety.

- ◆ Children must be supervised to ensure that they do not play with the appliance.

Residual risks.

Additional residual risks may arise when using the tool which may not be included in the enclosed safety warnings. These risks can arise from misuse, prolonged use etc.

Even with the application of the relevant safety regulations and the implementation of safety devices, certain residual risks can not be avoided. These include:

- ◆ **Injuries caused by touching any rotating moving parts.**
- ◆ **Injuries caused when changing any parts, blades or accessories.**
- ◆ **Injuries caused by prolonged use of a tool. When using any tool for prolonged periods ensure you take regular breaks.**
- ◆ **Impairment of hearing.**
- ◆ **Health hazards caused by breathing dust developed when using your tool (example:- working with wood, especially oak, beech and MDF.)**

After use

- ◆ When not in use, the appliance should be stored in a dry, well ventilated place out of reach of children.
- ◆ Children should not have access to stored appliances.
- ◆ When the appliance is stored or transported in a vehicle it should be placed in the boot or restrained to prevent movement following sudden changes in speed or direction.

Inspection and repairs

- ◆ Before use, check the appliance for damaged or defective parts. Check for breakage of parts and any other conditions that may affect its operation.
- ◆ Do not use the appliance if any part is damaged or defective.
- ◆ Have any damaged or defective parts repaired or replaced by an authorised repair agent.
- ◆ Never attempt to remove or replace any parts other than those specified in this manual.

Using an extension cable

Always use an approved extension cable suitable for the power input of this appliance (see technical data).

The extension cable must be suitable for outdoor use and marked accordingly. Up to 30 m of 1.5 mm² HO5VV-F extension cable can be used without loss of product performance. Before use, inspect the extension cable for signs of damage, wear and ageing. Replace the extension cable if damaged or defective. When using a cable reel, always unwind the cable completely.

Additional safety instructions for grass trimmers

Warning! Cutting elements continue to rotate after the motor is switched off.

- ◆ Be familiar with the controls and the proper use of the appliance.
- ◆ Before use, check the power supply cord and extension cord for signs of damage, ageing and wear. If a cord becomes damaged during use, disconnect the cord from the mains supply immediately. **DO NOT TOUCH THE CORD BEFORE DISCONNECTING THE SUPPLY.**
- ◆ Do not use the appliance if the cords are damaged or worn.
- ◆ Wear stout shoes or boots to protect your feet.
- ◆ Wear long trousers to protect your legs.
- ◆ Before using the appliance, check that your cutting path is free from sticks, stones, wire and any other obstacles.
- ◆ Only use the appliance in the upright position, with the cutting line near the ground. Never switch the appliance on in any other position.
- ◆ Move slowly when using the appliance. Be aware that freshly cut grass is damp and slippery.
- ◆ Do not work on steep slopes. Work across the face of slopes, not up and down.
- ◆ Never cross gravel paths or roads while the appliance is running.
- ◆ Never touch the cutting line while the appliance is running.
- ◆ Do not put the appliance down until the cutting line has come to a complete standstill.
- ◆ Use only the appropriate type of cutting line. Never use metal cutting line or fishing line.
- ◆ Be careful not to touch the line trimming blade.
- ◆ Take care to keep the mains cable away from the cutting line. Always be aware of the position of the cable.
- ◆ Keep hands and feet away from the cutting line at all times, especially when switching on the motor.
- ◆ Before using the appliance and after any impact, check for signs of wear or damage and repair as necessary.

- ◆ Never operate the appliance with damaged guards or without guards in place.
- ◆ Take care against injury from any device fitted for trimming the filament line length. After extending new cutter line always return the machine to its normal operating position before switching on.
- ◆ Always ensure that the ventilation slots are kept clear of debris.
- ◆ Do not use the lawn trimmer (edge trimmer), if the cords are damaged or worn.
- ◆ Keep extension cords away from cutting elements.

Labels on appliance

The following warning symbols are found on the appliance:



Read the manual prior to operation.



Wear safety glasses or goggles when operating this appliance.



Keep people and animals at least 6 m away from the cutting area.



Do not expose the appliance to rain or high humidity.

Electrical safety



This appliance is double insulated; therefore no earth wire is required. Always check that the power supply corresponds to the voltage on the rating plate.

- ◆ If the supply cord is damaged, it must be replaced by the manufacturer or an authorised Black & Decker Service Centre in order to avoid a hazard.

Features

This appliance includes some or all of the following features.

1. On/off switch
2. Handle
3. Cable restraint
4. Power inlet
5. Secondary handle
6. Tube
7. Storage hooks
8. Adjustment button
9. Guard
10. Line trimming blade
11. Cutting line
12. Spool housing

- 13. Edge guide
- 14. Head

Assembly

Warning! Before assembly, make sure that the tool is switched off and unplugged.

Attaching the tube to the head (fig. A)

- ◆ Align the rectangular tab of the tube (6) with the location in the head (14).
- ◆ Insert the tube into the head and push until it clicks into place.

Attaching the handle to the tube (fig. B)

- ◆ Align the square tab of the tube (6) with the location in the handle (2).
- ◆ Insert the tube into the handle and push until it clicks into place.

Fitting the guard (fig. C)

- ◆ Remove the screw (15) from the head.
- ◆ Place the guard onto the tool as shown.
- ◆ Firmly press the guard (9) until it snaps into place.
- ◆ Secure the guard with the screw.

Warning! Never use the tool unless the guard is properly fitted.

Releasing the cutting line

In transit, the cutting line is taped to the spool housing.

- ◆ Remove the tape holding the cutting line (11) to the spool housing (12).

Connecting the tool to the mains (fig. D)

- ◆ Connect the female plug of a suitable extension cable to the power inlet (4).
- ◆ Loop the cable through the cable restraint (3).
- ◆ Insert the mains plug into a mains outlet.

For wired in cable units: Make sure the cable is looped through the cable restraint prior to connecting the plug to the mains outlet.

Warning! The extension cable must be suitable for outdoor use.

Use

Warning! Let the tool work at its own pace. Do not overload.

Setting the tool to trimming or edging mode (fig. E - G)

The tool can be used in trimming mode as shown in fig. F or in edging mode to trim overhanging grass along lawn edges and flower beds as shown in fig. G.

Trimming mode (fig. E & F)

For trimming, the trimmer head should be in the position shown in fig. F. If it is not:

- ◆ Depress the adjustment button (8).
- ◆ Rotate the head (14), while releasing the button.
- ◆ When the head is in position, the button will lock into place.

Note: The tube will only rotate in one direction.

Edging mode (fig. E & G)

For edging, the trimmer head should be in the position shown in fig. G. If it is not:

- ◆ Depress the adjustment button (8).
- ◆ Rotate the head (14), while releasing the button.
- ◆ When the head is in position, the button will lock into place.

Note: The tube will only rotate in one direction.

Switching on and off

- ◆ To switch the tool on, squeeze the trigger lever (1).
- ◆ To switch the tool off, release the trigger lever.

Warning! Never attempt to lock the trigger lever in the on position.

Hints for optimum use

General

- ◆ In order to achieve optimum cutting results, only cut dry grass.

Trimming

- ◆ Hold the tool as shown in fig. F.
- ◆ Gently swing the trimmer from side to side.
- ◆ When cutting long grass, work in stages from the top. Take small cuts.
- ◆ Keep the tool away from hard objects and delicate plants.
- ◆ If the tool starts running slowly, reduce the load.

Edging

Optimum cutting results are achieved on edges deeper than 50mm.

- ◆ Do not use the tool to create edges. To create edges, use an edging spade.
- ◆ Guide the tool as shown in fig. G.
- ◆ To make a closer cut, slightly tilt the tool.

Fitting a new spool of cutting line (fig. H - J)

Spool with single cutting line (fig. H)

Replacement spools of cutting line are available from your Black & Decker dealer (cat. no. A6481).

- ◆ Keep the tabs (16) depressed and remove the spool cover (17) from the housing (12).

- ◆ Remove the empty spool (18) from the spool housing.
- ◆ Remove any dirt and grass from the spool cover and housing.
- ◆ Take the new spool and unwind approximately 9cm of cutting line.
- ◆ Feed the cutting line through the eyelet (19).
- ◆ Push the spool onto the drive shaft (20) and rotate it slightly until it is seated. Make sure that the cutting line is not trapped under the spool and that 9cm of cutting line protrudes from the housing.
- ◆ Align the tabs on the spool cover with the holes in the housing.
- ◆ Push the cover onto the housing until it snaps securely into place.

Warning! If the cutting line protrudes beyond the trimming blade (10), cut it off so that they just reach the blade.

Spool with twin cutting line (fig. I & J)

Replacement spools of cutting line are available from your Black & Decker dealer (cat. no. A6441). Complete cassettes containing a spool of cutting line are also available (cat. no. A6488).

- ◆ Keep the tabs (21) depressed and remove the spool cover (22) from the housing (12).
- ◆ Remove the empty spool (23) from the spool cover.
- ◆ Remove any dirt and grass from the spool cover and housing.
- ◆ Take the new spool and push it onto the boss in the spool cover. Rotate the spool slightly until it is seated.
- ◆ Unclip the end of one of the cutting lines and feed the line into one of the eyelets (24). The line should protrude approximately 9cm from the spool cover.
- ◆ Unclip the end of the other cutting line and feed the line into the other eyelet. The line should protrude approximately 9cm from the spool cover.
- ◆ Align the tabs (21) on the spool cover with the cut-outs (25) in the housing.
- ◆ Push the cover onto the housing until it snaps securely into place.

Warning! If the cutting lines protrude beyond the trimming blade (10), cut them off so that they just reach the blade.

Winding a new cutting line onto an empty spool (fig. K - O)

You may wind new cutting line onto an empty spool.

Spool with single cutting line (fig. K & L)

Replacement packs of cutting line are available from your Black & Decker dealer (cat. no. A6170 (25 m) & A6171 (40 m)).

- ◆ Remove the empty spool from the tool as described above.
- ◆ Remove any remaining cutting line from the spool.
- ◆ Feed 2cm of cutting line into one of the holes (26) in the spool as shown.
- ◆ Bend the cutting line and anchor it in the L-shaped slot (27).
- ◆ Wind the cutting line onto the spool in the direction of the arrow (28). Make sure to wind the line on neatly and in layers. Do not criss-cross.
- ◆ When the wound cutting line reaches the recesses (29), cut the line. Let the line protrude approximately 9cm from the spool and hold a finger on the line to keep it in place.
- ◆ Proceed as described above to fit the spool on the tool.

Warning! Only use the appropriate type of Black & Decker cutting line.

Spool with twin cutting line (fig. M - O)

Replacement packs of cutting line are available from your Black & Decker dealer (cat. no. A6440).

- ◆ Remove the empty spool from the tool as described above.
- ◆ Remove any remaining cutting line from the spool.
- ◆ First wind new line onto the uppermost part of the spool:
 - Feed 2cm of cutting line into one of the slots (30) in the upper section of the spool as shown.
 - Wind the cutting line onto the spool in the direction of the arrow (31). Make sure to wind the line on neatly and in layers. Do not criss-cross.
 - When the wound cutting line reaches the recesses (32), cut the line.
 - Temporarily park the line in the slots (33) on one side of the spool as shown.
- ◆ Repeat the above procedure for the second cutting line on the lower section of the spool. Park the line in the unused slots (33).
- ◆ Proceed as described above to fit the spool on the tool. Do not forget to release the cutting line from the parking slots (33).

Warning! Only use the appropriate type of Black & Decker cutting line. Ensure that cutting line is present in both sections of the spool.

Mains plug replacement (U.K. & Ireland only)

If a new mains plug needs to be fitted:

- ◆ Safely dispose of the old plug.
- ◆ Connect the brown lead to the live terminal in the new plug.
- ◆ Connect the blue lead to the neutral terminal.

Warning! No connection is to be made to the earth terminal. Follow the fitting instructions supplied with good quality plugs. Recommended fuse: 5 A.

Troubleshooting

If your tool seems not to operate properly, follow the instructions below. If this does not solve the problem, please contact your local Black & Decker repair agent.

Warning! Before proceeding, unplug the tool.

Appliance runs slowly

- ◆ Check that the spool housing can rotate freely. Carefully clean it if necessary.
- ◆ Check that the cutting line does not protrude more than 11 cm from the spool housing. If it does, cut it off so that it just reaches the line trimming blade.

Automatic line feed does not work

- ◆ Keep the tabs depressed and remove the spool cover from the housing.
- ◆ Pull the cutting line until it protrudes 11 cm from the housing. If insufficient cutting line is left on the spool, install a new spool of cutting line as instructed above.
- ◆ Align the tabs on the spool cover with the cut outs in the housing.
- ◆ Push the cover onto the housing until it snaps securely into place.
- ◆ If the cutting line protrudes beyond the trimming blade, cut it off so that it just reaches the blade.

If the automatic line feed still does not work or the spool is jammed, try the following suggestions:

- ◆ Carefully clean the spool cover and housing.
- ◆ Remove the spool and check if the lever can move freely.
- ◆ Remove the spool and unwind the cutting line, then wind it on neatly again as described above. Replace the spool as instructed.

Maintenance

Your Black & Decker corded/cordless appliance/tool has been designed to operate over a long period of time with a minimum of maintenance. Continuous satisfactory operation depends upon proper tool/appliance care and regular cleaning.

Warning! Before performing any maintenance on corded/cordless power tools:

- ◆ Switch off and unplug the appliance/tool.
- ◆ Or switch off and remove the battery from the appliance/tool if the appliance/tool has a separate battery pack.
- ◆ Or run the battery down completely if it is integral and then switch off.
- ◆ Unplug the charger before cleaning it. Your charger does not require any maintenance apart from regular cleaning.
- ◆ Regularly clean the ventilation slots in your tool/appliance and charger using a soft brush or dry cloth.
- ◆ Regularly clean the motor housing using a damp cloth. Do not use any abrasive or solvent-based cleaner.

Protecting the environment



Separate collection. This product must not be disposed of with normal household waste.

Should you find one day that your Black & Decker product needs replacement, or if it is of no further use to you, do not dispose of it with household waste. Make this product available for separate collection.



Separate collection of used products and packaging allows materials to be recycled and used again. Re-use of recycled materials helps prevent environmental pollution and reduces the demand for raw materials.

Local regulations may provide for separate collection of electrical products from the household, at municipal waste sites or by the retailer when you purchase a new product.

Black & Decker provides a facility for the collection and recycling of Black & Decker products once they have reached the end of their working life. To take advantage of this service please return your product to any authorised repair agent who will collect them on our behalf.

You can check the location of your nearest authorised repair agent by contacting your local Black & Decker office at the address indicated in this manual. Alternatively, a list of authorised Black & Decker repair agents and full details of our after-sales service and contacts are available on the Internet at: **www.2helpU.com**

Technical data

| | | GL280 TYPE 2 | GL301 TYPE 2 | GL315 TYPE 3 |
|---------------|-------------------|-----------------|-----------------|-----------------|
| Input voltage | V _{AC} | 230 | 230 | 230 |
| Power input | W | 300 | 300 | 320 |
| No-load speed | min ⁻¹ | 10,000 | 10,000 | 10,000 |
| Weight | kg | 2.2 | 2.2 | 2.2 |

| | | GL337 TYPE 2 | GL350 TYPE 3 |
|---------------|-------------------|-----------------|-----------------|
| Input voltage | V _{AC} | 230 | 230 |
| Power input | W | 320 | 350 |
| No-load speed | min ⁻¹ | 10,000 | 10,000 |
| Weight | kg | 2.2 | 2.2 |

Hand/arm weighted vibration value according to EN 786:

$$= 4 \text{ m/s}^2, \text{ uncertainty (K) } = 1.5 \text{ m/s}^2,$$

EC declaration of conformity

MACHINERY DIRECTIVE
OUTDOOR NOISE DIRECTIVE



GL280/GL301/GL315/GL337/GL350

Black & Decker declares that these products described under "technical data" are in compliance with: 2006/42/EC, EN 60335-1, EN 60335-2-91

2000/14/EC, Lawn Trimmer, L ≤ 50 cm, Annex VIII
KEMA Quality B.V., Utrechtseweg 310, 6802 ED
Arnhem, The Netherlands
Notified Body ID No.: 0344

Level of accoustic power according to 2000/14/EC (Article 12, Annex III, L ≤ 50 cm):

$$L_{WA} \text{ (measure sound power) } 95 \text{ dB(A)}$$

$$\text{uncertainty (K) } = 3 \text{ dB(A)}$$

$$L_{WA} \text{ (guaranteed sound power) } 96 \text{ dB(A)}$$

$$\text{uncertainty (K) } = 3 \text{ dB(A)}$$

These products also comply with directive 2004/108/EC. For more information, please contact Black & Decker at the following address or refer to the back of the manual.

The undersigned is responsible for compilation of the technical file and makes this declaration on behalf of Black & Decker.

Kevin Hewitt

Vice-President Global Engineering

Black & Decker Europe, 210 Bath Road, Slough,

Berkshire, SL1 3YD
United Kingdom
31-03-2010

UK patent application no.: 059745.6

European Community design application nos.
340385-0001 & 339544-0001

Guarantee

Black & Decker is confident of the quality of its products and offers an outstanding guarantee. This guarantee statement is in addition to and in no way prejudices your statutory rights. The guarantee is valid within the territories of the Member States of the European Union and the European Free Trade Area.

If a Black & Decker product becomes defective due to faulty materials, workmanship or lack of conformity, within 24 months from the date of purchase, Black & Decker guarantees to replace defective parts, repair products subjected to fair wear and tear or replace such products to ensure minimum inconvenience to the customer unless:

- ◆ The product has been used for trade, professional or hire purposes;
- ◆ The product has been subjected to misuse or neglect;
- ◆ The product has sustained damage through foreign objects, substances or accidents;
- ◆ Repairs have been attempted by persons other than authorised repair agents or Black & Decker service staff.

To claim on the guarantee, you will need to submit proof of purchase to the seller or an authorised repair agent. You can check the location of your nearest authorised repair agent by contacting your local Black & Decker office at the address indicated in this manual. Alternatively, a list of authorised Black & Decker repair agents and full details of our after-sales service and contacts are available on the Internet at: www.2helpU.com

Please visit our website www.blackanddecker.co.uk to register your new Black & Decker product and to be kept up to date on new products and special offers. Further information on the Black & Decker brand and our range of products is available at www.blackanddecker.co.uk.

Bestimmungsgemäße Verwendung

Ihr Black & Decker Trimmer wurde zum Trimmen und Beschneiden von Rasenkanten sowie zum Schneiden von Gras an schwer zugänglichen Stellen entwickelt. Dieses Gerät ist nicht für den gewerblichen Einsatz vorgesehen.

Sicherheitshinweise

Achtung! Bei der Verwendung netzbetriebener Geräte sind zum Schutz vor Feuergefahr, elektrischen Schlägen sowie Körperverletzungen und Sachschäden grundlegende Sicherheitsmaßnahmen einschließlich der folgenden Vorschriften zu beachten.

- ◆ Lesen Sie diese Anleitung gründlich durch, bevor Sie das Gerät verwenden.
- ◆ Die bestimmungsgemäße Verwendung ist in dieser Bedienungsanleitung beschrieben. Das Verwenden anderer als der in dieser Anleitung empfohlenen Vorsatzgeräte und Zubehörteile oder die Ausführung von Arbeiten mit diesem Gerät, die nicht der bestimmungsgemäßen Verwendung entsprechen, kann zu Unfallgefahren führen.
- ◆ Bewahren Sie diese Anleitung auf.

Gebrauch des Gerätes

Gehen Sie beim Gebrauch des Geräts stets vorsichtig vor.

- ◆ Verwenden Sie immer eine Schutzbrille.
- ◆ Untersagen Sie Kindern sowie Personen, die sich mit dem Inhalt dieser Anleitung nicht auskennen, die Verwendung dieses Geräts.
- ◆ Halten Sie Kinder und Tiere vom Arbeitsbereich fern, und sorgen Sie dafür, daß Gerät und Netzkabel nicht berührt werden.
- ◆ Wird das Gerät in der Nähe von Kindern verwendet, so ist äußerste Achtsamkeit geboten.
- ◆ Dieses Gerät darf ohne Aufsicht nicht von jungen oder schwachen Personen verwendet werden.
- ◆ Dieses ist kein Spielzeug!
- ◆ Verwenden Sie das Gerät nur bei Tageslicht oder guter künstlicher Beleuchtung.
- ◆ Verwenden Sie es nur an trockenen Orten. Lassen Sie das Gerät nicht nass werden.
- ◆ Tauchen Sie das Gerät nicht in Wasser ein.
- ◆ Öffnen Sie nicht das Gehäuse. Das Gerät enthält keine vom Benutzer zu wartenden Teile.
- ◆ Betreiben Sie das Gerät nicht in explosionsgefährdeter Umgebung, in der sich brennbare Flüssigkeiten, Gase oder Stäube befinden.
- ◆ Um die Gefahr von Schäden an Steckern oder Leitungen zu verringern, ziehen Sie niemals am

Kabel, um den Stecker aus einer Steckdose zu entfernen.

Sicherheit anderer Personen

- ◆ Dieses Gerät darf nicht von Personen (einschließlich Kindern) mit eingeschränkten körperlichen, sensorischen oder geistigen Fähigkeiten verwendet werden. Auch darf es nicht von Personen verwendet werden, die keine Erfahrung mit dem Gerät oder Kenntnis darüber haben, es sei denn, sie stehen beim Gebrauch unter der Aufsicht und Anleitung einer für deren Sicherheit verantwortlichen Person.
- ◆ Kinder müssen beaufsichtigt werden, um sicherzustellen, daß sie nicht mit dem Gerät spielen.

Restrisiken.

Für den Gebrauch dieses Geräts verbleiben zusätzliche Restrisiken, die möglicherweise nicht in den Sicherheitswarnungen genannt werden. Diese Risiken bestehen beispielsweise bei Missbrauch oder längerem Gebrauch.

Auch bei der Einhaltung der entsprechenden Sicherheitsvorschriften und der Verwendung aller Sicherheitsgeräte bestehen weiterhin bestimmte Restrisiken. Diese werden im Folgenden aufgeführt:

- ◆ **Verletzungen, die durch das Berühren von sich drehenden/bewegenden Teilen verursacht werden.**
- ◆ **Verletzungen, die durch das Austauschen von Teilen, Messern oder Zubehör verursacht werden.**
- ◆ **Verletzungen, die durch längeren Gebrauch eines Geräts verursacht werden. Legen Sie bei längerem Gebrauch regelmäßige Pausen ein.**
- ◆ **Beeinträchtigung des Gehörs.**
- ◆ **Gesundheitsrisiken durch das Einatmen von Staub beim Gebrauch des Geräts (Beispielsweise bei Holzarbeiten, insbesondere Eiche, Buche und Pressspan).**

Nach der Verwendung

- ◆ Das unbenutzte Gerät ist an einem trockenen, gut belüfteten und für Kinder nicht erreichbaren Ort aufzubewahren.
- ◆ Kinder sollten keinen Zugang zu aufbewahrten Geräten haben.
- ◆ Wird das Gerät in einem Fahrzeug aufbewahrt oder transportiert, so sollte es in den Kofferraum gelegt oder gesichert werden, um eine Bewegung durch plötzliche Geschwindigkeit- oder Fahrtrichtungsänderungen zu vermeiden.

Überprüfung und Reparaturen

- ◆ Überprüfen Sie das Gerät vor dem Gebrauch auf beschädigte oder defekte Teile. Prüfen Sie, ob Teile gebrochen oder andere Zustände eingetreten sind, die die Funktion des Gerätes beeinträchtigen.
- ◆ Benutzen Sie das Gerät nicht, wenn irgendein Teil defekt ist.
- ◆ Lassen Sie defekte Teile immer von einer unserer Kundendienstwerkstätten reparieren oder austauschen.
- ◆ Versuchen Sie nie, irgendwelche Teile zu entfernen oder auszutauschen, die nicht in dieser Anleitung beschrieben werden.

Verwendung eines Verlängerungskabels

Verwenden Sie nur zugelassene Verlängerungskabel, die sich für die Leistungsaufnahme dieses Gerätes eignen (siehe technische Daten). Das Verlängerungskabel muß für den Einsatz im Freien geeignet und entsprechend gekennzeichnet sein. Ein bis zu 30m langes 1,5 mm² HO5VV-F-Verlängerungskabel kann verwendet werden, ohne daß Leistungsverluste entstehen. Überprüfen Sie das Verlängerungskabel vor dem Gebrauch auf Beschädigung, Verschleiß und Alterserscheinungen. Tauschen Sie ein beschädigtes oder defektes Verlängerungskabel aus. Rollen Sie das Kabel bei Verwendung einer Kabeltrommel immer völlig aus.

Zusätzliche Sicherheitsanweisungen für Rasentrimmer

Achtung! Wird der Motor ausgeschaltet, so laufen die Schneidelemente nach.

- ◆ Machen Sie sich mit den Bedienungselementen und dem richtigen Gebrauch des Geräts vertraut.
- ◆ Überprüfen Sie vor dem Gebrauch das Netz- und Verlängerungskabel auf Beschädigung, Alterung und Verschleiß. Falls ein Kabel beim Gebrauch beschädigt wird, trennen Sie das Kabel sofort vom Netz. **BERÜHREN SIE DAS KABEL NICHT, SOLANGE ES NOCH NICHT VOM NETZ GETRENNT IST.**
- ◆ Verwenden Sie das Gerät nicht, wenn die Kabel beschädigt oder verschlissen sind.
- ◆ Tragen Sie zum Schutz Ihrer Füße feste Schuhe oder Stiefel.
- ◆ Tragen Sie zum Schutz Ihrer Beine eine lange Hose.
- ◆ Bevor Sie das Gerät verwenden, vergewissern Sie sich, daß der Schneidebereich frei von Stöcken, Steinen, Draht und anderen Fremdkörpern ist.

- ◆ Verwenden Sie das Gerät nur in aufrechter Position, mit dem Schneidfaden nahe am Boden. Schalten Sie das Gerät nie ein, wenn es sich in einer anderen Position befindet.
- ◆ Bewegen Sie sich während der Arbeit mit dem Gerät nur langsam. Beachten Sie, daß frisch geschnittener Rasen feucht und rutschig ist.
- ◆ Arbeiten Sie nicht auf steilen Hängen. Schneiden Sie entlang der Böschung, nie von oben nach unten.
- ◆ Überqueren Sie keine Kieselwege oder -wege, während das Gerät läuft.
- ◆ Berühren Sie nie den Schneidfaden, während das Gerät läuft.
- ◆ Legen Sie das Gerät erst ab, wenn der Schneidfaden zum Stillstand gekommen ist.
- ◆ Verwenden Sie ausschließlich Schneidfäden des richtigen Typs. Verwenden Sie nie Schneidfäden aus Metall oder Angelschnur.
- ◆ Achten Sie darauf, daß Sie das Faden-Kappmesser nicht berühren.
- ◆ Halten Sie das Netzkabel vom Schneidfaden fern. Achten Sie immer auf die Lage des Kabels.
- ◆ Halten Sie stets die Hände und Füße vom Schneidfaden fern, besonders beim Einschalten des Motors.
- ◆ Vor der Verwendung des Geräts und nach jeder Stoßeinwirkung prüfen Sie das Gerät auf Anzeichen von Verschleiß und Beschädigungen und führen Sie gegebenenfalls Reparaturen aus.
- ◆ Betreiben Sie das Gerät niemals mit beschädigten oder nicht angebrachten Schutzvorrichtungen.
- ◆ Schützen Sie sich vor Verletzungen durch Einrichtungen, die zum Kürzen des Fadens angebracht sind. Nach dem Verlängern des neuen Schneidfadens bringen Sie das Gerät wieder in seine normale Betriebsposition, bevor Sie es einschalten.
- ◆ Vergewissern Sie sich stets, daß die Ventilations-schlitzte frei von Unrat sind.
- ◆ Verwenden Sie den Rasentrimmer (Kantentrimmer) nicht, wenn die Leitungen beschädigt oder verschlissen sind.
- ◆ Halten Sie Verlängerungsleitungen immer von den Schneidelementen fern.

Schilder auf dem Gerät

Das Gerät ist mit folgenden Warnsymbolen versehen:



Lesen Sie vor der Inbetriebnahme die Anleitung.



Tragen Sie bei der Verwendung dieses Geräts eine Schutzbrille!



Halten Sie Umstehende und Tiere mindestens 6m vom Arbeitsbereich fern.



Setzen Sie das Gerät keinem Regen oder hoher Feuchtigkeit aus.

Elektrische Sicherheit



Dieses Gerät ist schutzisoliert, daher ist keine Erdleitung erforderlich. Überprüfen Sie immer, ob die Netzspannung der auf dem Typenschild des Elektrowerkzeuges angegebenen Spannung entspricht.

- ♦ Falls das Netzkabel beschädigt ist, so ist es vom Hersteller oder einem autorisierten Black & Decker Service Center auszutauschen, um Gefahren vorzubeugen.

Merkmale

Dieses Gerät weist einige oder alle der folgenden Merkmale auf:

1. Ein-/Aus-Schalter
2. Handgriff
3. Kabelzugentlastung
4. Netzanschluß
5. Zweithandgriff
6. Rohr
7. Aufbewahrungshaken
8. Einstellknopf
9. Schutzvorrichtung
10. Faden-Kappmesser
11. Schneidfaden
12. Spulengehäuse
13. Kantenführung
14. Kopf

Montage

Achtung! Vergewissern Sie sich vor der Montage, daß das Gerät ausgeschaltet ist und daß der Netzstecker geschaltet wurde.

Anbringen des Rohrs am Kopf (Abb. A)

- ♦ Richten Sie die rechteckige Zunge des Rohrs (6) mit deren Position im Kopf (14) aus.
- ♦ Stecken Sie das Rohr in den Kopf und schieben Sie es weiter, bis es in seiner Lage einrastet.

Anbringen des Handgriffs am Rohr (Abb. B)

- ♦ Richten Sie die quadratische Zunge des Rohrs (6) mit deren Position im Handgriff (2) aus.

- ♦ Stecken Sie das Rohr in den Handgriff und schieben Sie es weiter, bis es in seiner Lage einrastet.

Anbringen der Schutzvorrichtung (Abb. C)

- ♦ Entfernen Sie die Schraube (15) vom Kopf.
- ♦ Bringen Sie die Schutzvorrichtung wie angegeben am Gerät an.
- ♦ Drücken Sie fest auf die Schutzvorrichtung (9), bis sie einrastet.
- ♦ Sichern Sie die Schutzvorrichtung mit der Schraube.

Achtung! Verwenden Sie das Gerät nur, wenn die Schutzvorrichtung ordnungsgemäß montiert ist.

Lösen des Schneidfadens

Ab Werk ist der Schneidfaden mit Klebeband am Spulengehäuse befestigt.

- ♦ Entfernen Sie das Klebeband, mit dem der Schneidfaden (11) am Spulengehäuse (12) befestigt ist.

Anschließen des Geräts an das Netz (Abb. D)

- ♦ Schließen Sie die Steckdose eines geeigneten Verlängerungskabels an den Netzanschluß (4) an.
- ♦ Führen Sie das Kabel durch die Zugentlastung (3).
- ♦ Stecken Sie den Netzstecker in eine Steckdose. Für verkabelte Modelle: Vergewissern Sie sich, daß das Kabel durch die Zugentlastung geführt wurde, bevor Sie den Stecker in die Steckdose stecken.

Achtung! Das Verlängerungskabel muß für den Einsatz im Freien geeignet sein.

Gebrauch

Achtung! Beschleunigen Sie den Arbeitsvorgang nicht mit Gewalt. Vermeiden Sie eine Überlastung des Gerätes.

Einstellen des Geräts auf die Trimm- oder Kantenschnitt-Betriebsart (Abb. E - G)

Dieses Gerät kann sowohl zum Trimmen wie in Abb. F als auch zum Kantenschneiden (Beschneiden überhängenden Grases entlang Rasenkanten und Blumenbeeten) wie in Abb. G verwendet werden.

Trimm-Betriebsart (Abb. E & F)

Beim Trimmen muß sich der Trimmerkopf in der in Abb. F angegebenen Position befinden. Ist dies nicht der Fall:

- ♦ Drücken Sie auf den Einstellknopf (8).
- ♦ Drehen Sie den Kopf (14), während Sie den Knopf loslassen.
- ♦ Befindet sich der Kopf in seiner Position, so rastet der Knopf ein.

Hinweis: Das Rohr läßt sich nur in eine Richtung drehen.

Kantenschnitt-Betriebsart (Abb. E & G)

Beim Kantenschneiden muß sich der Trimmerkopf in der in Abb. G angegebenen Position befinden. Ist dies nicht der Fall:

- ◆ Drücken Sie auf den Einstellknopf (8).
- ◆ Drehen Sie den Kopf (14), während Sie den Knopf loslassen.
- ◆ Befindet sich der Kopf in seiner Position, so rastet der Knopf ein.

Hinweis: Das Rohr läßt sich nur in eine Richtung drehen.

Ein- und Ausschalten

- ◆ Um das Gerät einzuschalten, drücken Sie auf den Einschalthebel (1).
- ◆ Um das Gerät auszuschalten, lassen Sie Einschalthebel los.

Achtung! Versuchen Sie niemals, den Einschalthebel im eingeschalteten Zustand zu verriegeln.

Hinweise für optimale Arbeitsergebnisse

Allgemeines

- ◆ Um optimale Schnittergebnisse zu erzielen, schneiden Sie nur trockenes Gras.

Trimmen

- ◆ Halten Sie das Gerät, wie in Abb. F dargestellt.
- ◆ Schwenken Sie den Trimmer gleichmäßig von einer Seite zur anderen.
- ◆ Bei langem Gras arbeiten Sie stufenweise in kleinen Schritten von oben nach unten. Führen Sie kleine Schnitte aus.
- ◆ Halten Sie das Gerät von harten Gegenständen und empfindlichen Pflanzen fern.
- ◆ Falls das Gerät beginnt, langsam zu laufen, verringern Sie die Belastung.

Kantenschneiden

Optimale Schnittergebnisse erhalten Sie bei Kanten mit einer Tiefe von mindestens 50 mm.

- ◆ Verwenden Sie das Gerät nicht zum Bilden neuer Kanten. Verwenden Sie zum Bilden von Kanten einen Kantenspaten.
- ◆ Führen Sie das Gerät gemäß Abb. G.
- ◆ Um einen kürzeren Schnitt zu erzielen, neigen Sie das Gerät ein wenig.

Anbringen einer neuen Fadenspule (Abb. H - J)

Spule mit Einzelschneidfaden (Abb. H)

Neue Spulen mit Schneidfaden sind bei Ihrem

Black & Decker Händler erhältlich (Bestellnummer A6481).

- ◆ Halten Sie die Zungen (16) gedrückt und entfernen Sie den Spulendeckel (17) vom Gehäuse (12).
- ◆ Entfernen Sie die leere Spule (18) aus dem Spulengehäuse.
- ◆ Entfernen Sie Schmutzreste und Gras vom Spulendeckel und aus dem Gehäuse.
- ◆ Nehmen Sie die neue Spule und wickeln Sie zirka 9 cm Schneidfaden von der Spule ab.
- ◆ Führen Sie den Schneidfaden durch die Öse (19).
- ◆ Drücken Sie die Spule auf die Antriebswelle (20) und drehen Sie die Spule ein wenig hin und her, bis sie richtig sitzt. Vergewissern Sie sich, daß der Schneidfaden sich nicht unter der Spule verfängt, und daß 9 cm Schneidfaden aus dem Spulengehäuse hervorsteht.
- ◆ Richten Sie die Zungen am Spulendeckel mit den entsprechenden Löchern im Gehäuse aus.
- ◆ Drücken Sie den Deckel auf das Gehäuse, bis er sicher einrastet.

Achtung! Falls der Schneidfaden aus dem Faden-Kappmesser (10) herausragt, schneiden Sie den Faden ab, so daß er gerade bis zum Faden-Kappmesser reicht.

Spule mit Doppelschneidfaden (Abb. I & J)

Neue Spulen mit Schneidfaden sind bei Ihrem Black & Decker Händler erhältlich (Bestellnummer A6441). Es sind auch komplette Kassetten mit einer Spule mit Schneidfaden erhältlich (Bestellnummer A6488).

- ◆ Halten Sie die Zungen (21) gedrückt und entfernen Sie den Spulendeckel (22) vom Gehäuse (12).
- ◆ Entfernen Sie die leere Spule (23) vom Spulendeckel.
- ◆ Entfernen Sie Schmutzreste und Gras vom Spulendeckel und aus dem Gehäuse.
- ◆ Nehmen Sie die neue Spule, und drücken Sie sie auf den Zapfen im Spulendeckel. Drehen Sie die Spule ein wenig, bis sie richtig sitzt.
- ◆ Lösen Sie das Ende des einen Schneidfadens und führen Sie den Faden in eine der Ösen (24). Der Schneidfaden sollte ca. 9 cm aus dem Spulendeckel hervorstehen.
- ◆ Lösen Sie das Ende des anderen Schneidfadens, und führen Sie den Faden in die andere Öse. Der Schneidfaden sollte ca. 9 cm aus dem Spulendeckel hervorstehen.
- ◆ Richten Sie die Zungen (21) am Spulendeckel mit den Aussparungen (25) im Gehäuse aus.

- ◆ Drücken Sie den Deckel auf das Gehäuse, bis er sicher einrastet.

Achtung! Falls die Schneidfäden aus dem Faden-Kappmesser (10) herausragen, schneiden Sie die Fäden ab, so daß sie gerade bis zum Faden-Kappmesser reichen.

Aufwickeln eines neuen Schneidfadens auf eine leere Spule (Abb. K - O)

Sie können einen neuen Schneidfaden auf eine leere Spule aufwickeln.

Spule mit Einzelschneidfaden (Abb. K & L)

Neuer, loser Schneidfaden ist bei Ihrem Black & Decker Händler erhältlich (Bestellnummer A6170 (25m) & A6171 (40 m)).

- ◆ Entfernen Sie die leere Spule gemäß Beschreibung oben.
- ◆ Entfernen Sie etwaige Fadenreste von der Spule.
- ◆ Führen Sie 2cm Schneidfaden wie abgebildet in eines der Löcher (26) in der Spule.
- ◆ Knicken Sie den Schneidfaden um und befestigen ihn im L-förmigen Schlitz (27).
- ◆ Wickeln Sie den Schneidfaden in Pfeilrichtung (28) auf die Spule auf. Achten Sie darauf, daß Sie den Faden sauber und in Schichten aufwickeln. Vermeiden Sie ein kreuzweises Aufwickeln.
- ◆ Wenn der aufgewickelte Faden die Aussparungen (29) erreicht, schneiden Sie ihn ab. Wickeln Sie zirka 9cm Faden von der Spule ab und halten Sie einen Finger auf den Faden, um ihn in seiner Lage zu halten.
- ◆ Um die Spule am Gerät anzubringen, gehen Sie wie oben beschrieben vor.

Achtung! Verwenden Sie ausschließlich Black & Decker Schneidfaden des richtigen Typs.

Spule mit Doppelschneidfaden (Abb. M - O)

Neuer, loser Schneidfaden ist bei Ihrem Black & Decker Händler erhältlich (Bestellnummer A6440).

- ◆ Entfernen Sie die leere Spule gemäß Beschreibung oben.
- ◆ Entfernen Sie etwaige Fadenreste von der Spule.
- ◆ Wickeln Sie zuerst neuen Faden auf den oberen Teil der Spule auf:
 - Führen Sie 2cm Schneidfaden wie abgebildet in einen der Schlitze (30) oben in der Spule.
 - Wickeln Sie den Schneidfaden in Pfeilrichtung (31) auf die Spule auf. Achten Sie

darauf, daß Sie den Faden sauber und in Schichten aufwickeln. Vermeiden Sie ein kreuzweises Aufwickeln.

- Wenn der aufgewickelte Faden die Aussparungen (32) erreicht, schneiden Sie ihn ab.
- Klemmen Sie den Schneidfaden wie angegeben vorübergehend in die Schlitze (33) an einer Seite der Spule.

- ◆ Wiederholen Sie den oben beschriebenen Vorgang für den zweiten Schneidfaden auf dem unteren Teil der Spule. Klemmen Sie den Faden in die noch freien Schlitze (33).

- ◆ Um die Spule am Gerät anzubringen, gehen Sie wie oben beschrieben vor. Vergessen Sie nicht, den Faden aus den Schlitzen (33) zu lösen.

Achtung! Verwenden Sie ausschließlich Black & Decker Schneidfaden des richtigen Typs. Achten sie darauf, daß auf beiden Teilen der Spule Schneidfaden vorhanden ist.

Störungsbehebung

Falls Ihr Gerät nicht ordnungsgemäß funktioniert, befolgen Sie folgende Hinweise. Falls die Störung damit nicht behoben wird, wenden Sie sich bitte an den Black & Decker Kundendienst.

Achtung! Bevor Sie die folgenden Schritte vornehmen, ziehen Sie den Netzstecker.

Das Gerät läuft langsam

- ◆ Überprüfen Sie, ob sich das Spulengehäuse frei drehen kann. Reinigen Sie es gegebenenfalls sorgfältig.
- ◆ Vergewissern Sie sich, daß die Länge des aus dem Spulengehäuse hervorstehenden Schneidfadens 11cm nicht überschreitet. Falls doch, dann schneiden Sie den Faden ab, so daß er gerade das Faden-Kappmesser erreicht.

Die automatische Fadenzufuhr funktioniert nicht.

- ◆ Halten Sie die Zungen gedrückt und nehmen Sie den Spulendeckel vom Gehäuse.
- ◆ Ziehen Sie am Schneidfaden, bis er 11cm aus dem Spulengehäuse hervorsteht. Falls der Schneidfaden auf der Spule nicht mehr ausreicht, setzen Sie wie oben beschrieben eine neue Fadenspule ein.
- ◆ Richten Sie die Zungen am Spulendeckel mit den Aussparungen im Gehäuse aus.
- ◆ Drücken Sie den Deckel auf das Gehäuse, bis er sicher einrastet.
- ◆ Falls der Schneidfaden über das Faden-Kappmesser hinaus hervorsteht, schneiden Sie den Faden ab, so daß er gerade bis zum Faden-Kappmesser reicht.

Falls die automatische Fadenzufuhr immer noch nicht funktioniert oder die Spule klemmt, versuchen Sie folgendes:

- ◆ Reinigen Sie sorgfältig den Spulendeckel und das Spulengehäuse.
- ◆ Entfernen Sie die Spule und überprüfen Sie, ob sich der Hebel frei bewegen kann.
- ◆ Entfernen Sie die Spule, und wickeln Sie den Faden ab. Wickeln Sie den Faden dann wie oben beschrieben wieder sauber auf. Bringen Sie die Spule wieder wie beschrieben an.

Wartung

Ihr netz- oder akkubetriebenes Black & Decker Gerät/ Werkzeug wurde im Hinblick auf eine lange Lebensdauer und einen möglichst geringen Wartungsaufwand entwickelt. Ein dauerhafter, einwandfreier Betrieb setzt eine regelmäßige Reinigung voraus.

Achtung! Vor der Durchführung von Wartungsarbeiten an Elektrogeräten/-werkzeugen mit oder ohne Netzleitung:

- ◆ Schalten Sie das Gerät/Werkzeug aus und ziehen Sie den Netzstecker.
- ◆ Oder schalten Sie das Gerät aus und entfernen Sie den Akku aus dem Gerät/Werkzeug, falls das Gerät/Werkzeug einen eigenen Akku hat.
- ◆ Oder lassen Sie den Akku vollkommen leerlaufen, falls dieser im Gerät eingebaut ist. Schalten Sie das Gerät dann aus.
- ◆ Ziehen Sie den Netzstecker des Ladegeräts aus der Steckdose, bevor Sie es reinigen. Ihr Ladegerät bedarf keinerlei Wartung außer einer regelmäßigen Reinigung.
- ◆ Reinigen Sie regelmäßig die Lüftungsschlitze im Gerät/ Werkzeug und Ladegerät mit Hilfe einer weichen Bürste oder eines trockenen Tuches.
- ◆ Reinigen Sie regelmäßig das Motorgehäuse mit Hilfe eines feuchten Lappens. Verwenden Sie keine scheuernden Reinigungsmittel oder Reinigungsmittel auf Lösungsmittelbasis.

Umweltschutz



Getrennte Entsorgung. Dieses Produkt darf nicht über den normalen Hausmüll entsorgt werden.

Sollte Ihr Black & Decker Produkt eines Tages erneuert werden müssen, oder falls Sie es nicht weiter verwenden wollen, so darf es nicht über den Hausmüll entsorgt werden. Stellen Sie dieses Produkt zur getrennten Entsorgung bereit.



Durch die getrennte Entsorgung gebrauchter Produkte und Verpackungen können die Materialien recycelt und wiederverwertet werden. Die Wiederverwertung recycelter Materialien schont die Umwelt und verringert die Nachfrage nach Rohstoffen.

Die regionalen Bestimmungen schreiben unter Umständen die getrennte Entsorgung elektrischer Produkte aus dem Haushalt an Sammelstellen oder seitens des Händlers vor, bei dem Sie das neue Produkt erworben haben.

Black & Decker nimmt Ihre ausgedienten Black & Decker Geräte gern zurück und sorgt für eine umweltfreundliche Entsorgung und Wiederverwertung. Um diesen Dienst zu nutzen, schicken Sie bitte Ihr Produkt zu einer Vertragswerkstatt. Hier wird es dann auf unsere Kosten gesammelt.

Die Adresse der zuständigen Black & Decker Vertretung steht in diesem Handbuch, darüber lässt sich die nächstgelegene Vertragswerkstatt ermitteln. Außerdem ist eine Liste der Vertragswerkstätten und aller Kundendienststellen von Black & Decker sowie der zuständigen Ansprechpartner im Internet zu finden unter: www.2helpU.com

Technische Daten

| | | GL280 TYPE 2 | GL301 TYPE 2 | GL315 TYPE 3 |
|-------------------|-------------------|-----------------|-----------------|-----------------|
| Spannung | V_{AC} | 230 | 230 | 230 |
| Leistungsaufnahme | W | 300 | 300 | 320 |
| Leerlaufdrehzahl | min^{-1} | 10.000 | 10.000 | 10.000 |
| Gewicht | kg | 2,2 | 2,2 | 2,2 |

| | | GL337 TYPE 2 | GL350 TYPE 3 |
|-------------------|-------------------|-----------------|-----------------|
| Spannung | V_{AC} | 230 | 230 |
| Leistungsaufnahme | W | 320 | 350 |
| Leerlaufdrehzahl | min^{-1} | 10.000 | 10.000 |
| Gewicht | kg | 2,2 | 2,2 |

Gewichteter Hand-/Arm-Vibrationswert nach EN 786:

$$= 4 \text{ m/s}^2, \text{ Unsicherheitsfaktor (K) = } 1,5 \text{ m/s}^2$$

EG-KonformitätserklärungMASCHINENRICHTLINIE
AUSSENLÄRM-RICHTLINIE**GL280/GL301/GL315/GL337/GL350**

Black & Decker erklärt, daß diese unter „Technische Daten“ beschriebenen Produkte folgende Richtlinien erfüllen: 2006/42/EG, EN 60335-1, EN 60335-2-91

2000/14/EG, Rasenmäher, L ≤ 50 cm, Anhang VIII
KEMA Quality B.V., Utrechtseweg 310, 6802 ED
Arnhem, Niederlande
Notified Body ID No.: 0344

Rasentrimmer 2000/14/EG (Artikel 12, Anhang III,
L ≤ 50 cm):

L_{WA} (gemessene Schalleistung) 95 dB(A)
Unsicherheitsfaktor (K) = 3 dB(A)

L_{WA} (garantierte Schalleistung) 96 dB(A)
Unsicherheitsfaktor (K) = 3 dB(A)

Diese Produkte entsprechen auch Richtlinie
2004/108/EG. Wenden Sie sich für weitere
Informationen bitte an folgende Black & Decker
Anschrift bzw. an die hinten im Handbuch ange-
gebene Anschrift.

Der Unterzeichnete ist für die Zusammenstellung
der technischen Datei verantwortlich und gibt die-
se Erklärung im Namen von Black & Decker ab.

Kevin Hewitt

Vizepräsident Global Engineering
Black & Decker Europe, 210 Bath Road, Slough,
Berkshire, SL1 3YD
United Kingdom
31-03-2010

UK-Patentanmeldungen Nr.: 059745.6

EG-Designanmeldungsnummern 340385-0001 &
339544-0001

Garantie

Black & Decker vertraut auf die Qualität der eigenen
Geräte und bietet dem Käufer eine außergewöhnliche
Garantie. Diese Garantiezusage versteht sich
unbeschadet der gesetzlichen Gewährleistungsan-
sprüche und schränkt diese keinesfalls ein. Sie gilt in
sämtlichen Mitgliedsstaaten der Europäischen Uni-
on und der Europäischen Freihandelszone EFTA.

Tritt innerhalb von 24 Monaten ab Kaufdatum an ei-
nem Gerät von Black & Decker ein auf Material- oder
Verarbeitungsfehler zurückzuführender Mangel auf,
garantiert Black & Decker den Austausch defekter
Teile, die Reparatur von Geräten mit üblichem Ver-
schleiß bzw. den Austausch eines mangelhaften
Geräts, ohne den Kunden dabei mehr als unbedingt
nötig in Anspruch zu nehmen, allerdings vorbehalt-
lich folgender Ausnahmen:

- ◆ wenn das Gerät gewerblich, beruflich oder im
Verleihgeschäft benutzt wurde;
- ◆ wenn das Gerät mißbräuchlich verwendet oder
mit mangelnder Sorgfalt behandelt wurde;
- ◆ wenn das Gerät durch irgendwelche Fremdein-
wirkung beschädigt wurde;
- ◆ wenn ein unbefugter Reparaturversuch durch
anderes Personal als das einer Vertragswerk-
statt oder des Black & Decker-Kundendienstes
unternommen wurde.

Zur Inanspruchnahme dieser Garantie ist dem Ver-
käufer bzw. der Vertragswerkstatt ein Kaufnachweis
vorzulegen. Der Kaufnachweis muß Kaufdatum
und Gerätetyp bescheinigen. Die Adresse des
zuständigen Büros von Black & Decker steht in
dieser Anleitung, darüber läßt sich die nächstge-
legene Vertragswerkstatt ermitteln. Außerdem
ist eine Liste der Vertragswerkstätten und aller
Kundendienststellen von Black & Decker sowie der
zuständigen Ansprechpartner im Internet zu finden
unter: **www.2helpU.com**

Bitte besuchen Sie unsere Webseite
www.blackanddecker.de, um Ihr neues
Black & Decker Produkt zu registrieren und über
neue Produkte und Sonderangebote aktuell
informiert zu werden. Weitere Informationen über
die Marke Black & Decker und unsere Produkte
finden Sie unter **www.blackanddecker.de**

Utilisation prévue

Votre débroussailleuse Black & Decker a été conçue pour tailler et arranger les bordures de pelouse et pour couper l'herbe dans des espaces réduits. Cet appareil est réservé à un usage domestique.

Instructions de sécurité

Attention! Lors de l'utilisation d'appareils électriques, observez les consignes de sécurité fondamentales, y compris celles qui suivent, afin de réduire les risques d'incendie, de décharges électriques, de blessures et de dommages matériels.

- ◆ Lisez avec soin l'ensemble de ce manuel avant d'utiliser l'appareil.
- ◆ Le présent manuel décrit l'utilisation prévue. Une utilisation de l'appareil autre que celles prévues dans le présent manuel ou l'utilisation d'accessoires autres que ceux recommandés dans le présent manuel peut présenter un risque de blessure.
- ◆ Conservez ce manuel à titre de référence.

Utilisation de votre appareil

Utilisez toujours cet appareil avec précaution.

- ◆ Portez toujours des lunettes ou un masque de protection.
- ◆ Ne laissez jamais aucun enfant ou aucune personne non familiarisée avec les instructions utiliser cet appareil.
- ◆ Ne laissez pas les enfants ou les animaux s'approcher de l'aire de travail voire toucher l'appareil ou le cordon d'alimentation.
- ◆ Redoublez de vigilance lorsque l'appareil est utilisé à proximité d'enfants.
- ◆ Cet appareil n'est pas destiné à être utilisé par des jeunes ou des personnes infirmes sans supervision.
- ◆ Cet appareil ne saurait être utilisé comme un jouet.
- ◆ Utilisez l'appareil uniquement à la lumière du jour ou sous un éclairage artificiel efficace.
- ◆ Utilisez uniquement dans un endroit sec. Ne laissez pas l'appareil se mouiller.
- ◆ N'immergez pas l'appareil dans l'eau.
- ◆ N'ouvrez pas le boîtier principal. Il ne contient aucune pièce susceptible d'être réparée.
- ◆ N'utilisez pas l'appareil dans un environnement explosible, ainsi en présence de gaz, poussières ou liquides inflammables.
- ◆ Afin de réduire les risques d'endommager les fiches et cordons, ne tirez jamais sur le câble pour débrancher la fiche de la prise.

Sécurité des tiers

- ◆ Cet appareil n'est pas destiné à être utilisé par des personnes (notamment des enfants) présentant des capacités physiques, sensorielles ou mentales limitées voire dépourvues de connaissance et d'expérience, sauf si elles sont supervisées ou ont reçu des instructions pour l'usage de l'appareil par une personne responsable de leur sécurité.
- ◆ Les enfants doivent être surveillés pour s'assurer qu'ils ne jouent pas avec l'appareil.

Risques résiduels.

L'utilisation d'un outil non mentionné dans les consignes de sécurité données peut entraîner des risques résiduels supplémentaires. Ces risques peuvent survenir si l'outil est mal utilisé, si l'utilisation est prolongée, etc.

Malgré l'application des normes de sécurité correspondantes et la présence de dispositifs de sécurité, les risques résiduels suivants ne peuvent être évités. Ceci comprend :

- ◆ **Les blessures dues au contact avec une pièce mobile/en rotation.**
- ◆ **Les blessures causées en changeant des pièces, lames ou accessoires.**
- ◆ **Les blessures dues à l'utilisation prolongée d'un outil. Une utilisation prolongée de l'outil nécessite des pauses régulières.**
- ◆ **Déficience auditive.**
- ◆ **Risques pour la santé causés par l'inhalation de poussières produites pendant l'utilisation de l'outil (exemple : travail avec du bois, surtout le chêne, le hêtre et les panneaux en MDF).**

Après utilisation

- ◆ S'il n'est pas utilisé, rangez l'appareil dans un endroit sec, bien ventilé et hors de la portée des enfants.
- ◆ Les enfants ne doivent pas pouvoir accéder aux appareils, même rangés.
- ◆ Si l'appareil est rangé ou transporté dans un véhicule, il doit être placé dans le coffre ou fixé afin d'éviter tout mouvement inopiné en cas de changement brusque de direction ou de vitesse.

Inspection et réparations

- ◆ Avant d'utiliser l'appareil, vérifiez qu'il n'est pas endommagé et qu'aucune pièce n'est défectueuse. Assurez-vous que les pièces ne sont pas endommagées et recherchez tout autre facteur qui pourrait nuire à son fonctionnement.

- ◆ N'utilisez pas l'appareil si une pièce est endommagée ou défectueuse.
- ◆ Faites réparer ou remplacer toute pièce endommagée par un réparateur agréé.
- ◆ N'essayez jamais d'enlever ou de changer des pièces autres que celles spécifiées dans ce manuel.

Utilisation d'une rallonge

Utilisez toujours une rallonge agréée, adaptée à la puissance d'alimentation de cet appareil (voir caractéristiques techniques). Le câble de rallonge doit être adapté pour le travail en extérieur et marqué en conséquence. Des rallonges HO5VV-F de 1,5 mm² pour 30 m de long peuvent être utilisées sans perte de puissance. Avant utilisation, assurez-vous que la rallonge n'est ni endommagée ni usée. Changez le câble de rallonge s'il est endommagé ou défectueux. En cas d'utilisation d'un dévidoir, déroulez toujours le câble complètement.

Instructions de sécurité supplémentaires pour les débroussailleuses

Attention! Les éléments de coupe continuent de tourner une fois le moteur arrêté.

- ◆ Familiarisez-vous avec les commandes et l'utilisation correcte de cet appareil.
- ◆ Avant toute utilisation, vérifiez que le câble électrique et sa rallonge ne sont ni endommagés, ni usés. Si un câble est endommagé pendant le travail, débranchez-le immédiatement du secteur. **NE TOUCHEZ PAS LE CÂBLE AVANT D'AVOIR COUPÉ L'ALIMENTATION.**
- ◆ N'utilisez pas l'appareil lorsque les câbles sont usés ou endommagés.
- ◆ Portez des chaussures ou des bottes renforcées pour protéger vos pieds.
- ◆ Portez un pantalon long pour protéger vos jambes.
- ◆ Avant d'utiliser l'appareil, vérifiez qu'aucun bâton, fil de fer, pierre ou aucun autre obstacle n'obstrue la zone de coupe.
- ◆ Utilisez seulement l'appareil en position verticale, en maintenant le fil de coupe près du sol. N'allumez jamais l'appareil dans une autre position.
- ◆ Déplacez-vous lentement lorsque vous utilisez l'appareil. Faites attention car l'herbe fraîchement coupée est humide et glissante.
- ◆ Ne travaillez pas sur un sol très pentu. Travaillez perpendiculairement à la pente et non en montant ou en descendant.

- ◆ Ne traversez jamais de chemins ou de routes en gravier lorsque l'appareil fonctionne.
- ◆ Ne touchez jamais le fil de coupe lorsque l'appareil fonctionne.
- ◆ Ne posez pas l'appareil avant que le fil de coupe ne se soit complètement arrêté.
- ◆ Utilisez uniquement le type correct de fil de coupe. N'utilisez jamais de fil de coupe métallique ni de fil de pêche.
- ◆ Veillez à ne pas toucher la lame coupe-fil.
- ◆ Maintenez le câble secteur écarté du fil de coupe. Surveillez toujours la position du câble.
- ◆ Tenez vos mains et vos pieds à distance du fil de coupe à tout moment, plus particulièrement au démarrage du moteur.
- ◆ Avant d'utiliser l'appareil et après tout impact, vérifiez qu'il n'est pas endommagé ou usé. Réparez-le au besoin.
- ◆ N'utilisez jamais l'appareil si les protections sont endommagées ou manquantes.
- ◆ Attention aux blessures occasionnées par tout dispositif installé pour couper la longueur du fil de coupe. Après avoir tiré sur le fil de coupe, remplacez toujours la machine sur sa position de fonctionnement normale avant de l'allumer.
- ◆ Vérifiez toujours que les orifices de ventilation sont bien débarrassés de tous débris.
- ◆ N'utilisez pas le coupe-bordures (débroussailleuse) si les câbles sont usés ou endommagés.
- ◆ Maintenez les rallonges à l'écart des éléments de coupe.

Étiquettes sur l'appareil

Les symboles de prévention suivants sont indiqués sur l'appareil:



Lisez le manuel avant l'emploi.



Portez des lunettes de sécurité lorsque vous utilisez cet appareil.



Personnes et animaux doivent se trouver à plus de 6 m de la zone de coupe.



N'exposez pas l'appareil à la pluie ou une humidité élevée.

Sécurité électrique



Cet appareil est doublement isolé ; par conséquent, aucun câble de masse n'est nécessaire. Vérifiez si la tension d'alimentation correspond à celle mentionnée sur la plaque signalétique.

- ◆ Si le câble d'alimentation est endommagé, il doit être remplacé par le fabricant ou par un centre de réparation agréé Black & Decker afin d'éviter tout accident.

Caractéristiques

Cet appareil comprend toutes ou certaines des caractéristiques suivantes:

1. Interrupteur marche/arrêt
2. Poignée
3. Serre-câbles
4. Entrée d'alimentation
5. Poignée secondaire
6. Tube
7. Crochets de rangement
8. Bouton de réglage
9. Carter de protection
10. Lame coupe-fil
11. Fil de coupe
12. Logement de bobine
13. Guide-bordures
14. Tête

Assemblage

Attention! Avant l'assemblage, assurez-vous que l'outil est éteint et débranché.

Montage du tube sur la tête (fig. A)

- ◆ Alignez la languette rectangulaire du tube (6) avec l'encoche dans la tête (14).
- ◆ Insérez le tube dans la tête et poussez-le pour qu'il s'enclenche.

Montage de la poignée sur le tube (fig. B)

- ◆ Alignez la languette carrée du tube (6) avec l'encoche dans la poignée (2).
- ◆ Insérez le tube dans la poignée et poussez-le pour qu'il s'enclenche.

Mise en place du carter protecteur (fig. C)

- ◆ Retirez la vis (15) de la tête.
- ◆ Placez le carter de protection sur l'outil selon le schéma.
- ◆ Appuyez fermement sur le carter (9) jusqu'à ce qu'il se mette en place avec un clic sec.
- ◆ Fixez le carter protecteur avec la vis.

Attention! N'utilisez jamais l'outil si le carter protecteur n'est pas correctement installé.

Déroulement du fil de coupe.

Durant le travail, le fil de coupe est caché par le logement de bobine.

- ◆ Enlevez le ruban qui retient le fil de coupe (11) à la protection de la bobine (12).

Branchement de l'outil au secteur (fig. D)

- ◆ Branchez la prise femelle d'un fil de rallonge adapté à l'entrée d'alimentation électrique (4).
- ◆ Enroulez le câble autour du serre-câbles (3).
- ◆ Branchez la fiche secteur dans la prise secteur. Enroulement dans les outils à fil: Assurez-vous que le câble est bien enroulé autour du serre-câble avant de brancher la prise sur le secteur.

Attention! Le câble de rallonge doit être adapté pour le travail en extérieur.

Utilisation

Attention! Laissez l'outil fonctionner à sa propre vitesse. Ne le surchargez pas.

Réglage de l'outil en mode taille ou coupe (fig. E - G)

L'outil peut être utilisé en mode de taille comme indiqué à la fig. F ou en en mode coupe pour tailler de l'herbe en surplomb dans les bordures de pelouse et les parterres de fleurs comme indiqué à la fig. G.

Mode de taille (fig. E & F)

Pour la taille, la tête de la débroussailleuse doit être dans la position illustrée en fig. F. Si ce n'est pas le cas:

- ◆ Appuyez sur le bouton de réglage (8).
- ◆ Faites pivoter la tête (14) tout en relâchant le bouton.
- ◆ Lorsque la tête est correctement placée, le bouton se bloque.

Remarque: le tube ne tourne que dans un sens.

Mode de coupe (fig. E & G)

Pour couper, la tête de la débroussailleuse doit adopter la position indiquée en fig. G. Si ce n'est pas le cas:

- ◆ Appuyez sur le bouton de réglage (8).
- ◆ Faites pivoter la tête (14) tout en relâchant le bouton.
- ◆ Lorsque la tête est correctement placée, le bouton se bloque.

Remarque: le tube ne tourne que dans un sens.

Démarrage et arrêt

- ◆ Pour allumer l'outil, appuyez sur l'interrupteur (1)
 - ◆ Relâchez l'interrupteur pour éteindre l'outil.
- Attention!** N'essayez jamais de bloquer l'interrupteur en position de marche.

Conseils pour une utilisation optimale

Généralités

- ◆ Pour des résultats de coupe optimaux, coupez uniquement de l'herbe sèche.

Taille

- ◆ Tenez l'outil comme indiqué sur la fig. F.
- ◆ Basculer doucement l'interrupteur d'un côté à l'autre.
- ◆ Lorsque vous coupez des herbes hautes, travaillez par étapes en commençant par le haut. Procédez par petites coupes.
- ◆ Veillez à ne pas approcher l'outil des objets durs et des plantes délicates.
- ◆ Si l'outil commence à fonctionner lentement, réduisez la charge.

Coupe

Pour des résultats de coupe optimaux, les bordures doivent être supérieures à 50 mm.

- ◆ N'utilisez pas l'outil pour créer des bordures. Pour créer des bordures, utilisez une bêche.
- ◆ Tenez l'outil comme indiqué sur la fig. G.
- ◆ Pour une coupe plus nette, inclinez légèrement l'outil.

Mise en place d'une nouvelle bobine de fil de coupe (fig. H - J)

Bobine avec fil de coupe simple (fig. H)

Des bobines de fil de coupe de rechange sont disponibles chez votre revendeur Black & Decker (réf. A6481).

- ◆ Maintenez les languettes (16) enfoncées et retirez le couvercle de la bobine (17) de la protection (12).
- ◆ Retirez la bobine vide (18) du logement de bobine.
- ◆ Enlevez toute trace de saleté ou d'herbe du couvercle de la bobine et du logement.
- ◆ Prenez la nouvelle bobine et déroulez env. 9 cm de fil de coupe.
- ◆ Faites entrer le fil de coupe dans l'œillet (19).
- ◆ Poussez la bobine sur l'axe (20) et faites-la tourner légèrement jusqu'à ce qu'elle soit bien installée. Assurez-vous que le fil de coupe n'est pas coincé sous la bobine et que 9 cm de fil de coupe dépassent de la protection.
- ◆ Alignez les languettes sur le couvercle de la bobine avec les trous dans la protection.
- ◆ Enfoncez le couvercle sur le logement jusqu'à l'enclencher.

Attention! Si le fil de coupe dépasse de la lame de coupe (10), coupez-le afin qu'il atteigne juste la lame.

Bobine avec fil de coupe double (fig. I & J)

Des bobines de fil de coupe de rechange sont disponibles chez votre revendeur Black & Decker (réf. A6441). Des cassettes complètes contenant une bobine de fil de coupe sont également disponibles (cat. no. A6488).

- ◆ Maintenez les languettes (21) enfoncées et retirez le couvercle de la bobine (22) de la protection (12).
- ◆ Retirez la bobine vide (23) du couvercle de la bobine.
- ◆ Enlevez toute trace de saleté ou d'herbe du couvercle de la bobine et du logement.
- ◆ Prenez la bobine neuve et enfoncez-la sur le bossage du couvercle de la bobine. Faites lentement tourner la bobine jusqu'à ce qu'elle soit bien en place.
- ◆ Saisissez l'une des extrémités des fils de coupe et faites glisser le fil dans l'un des œillets (24). Tirez environ 9 cm de fil hors du couvercle de la bobine.
- ◆ Détachez l'extrémité de l'autre fil de coupe et faites passer la ligne dans l'autre œillet. Tirez environ 9 cm de fil hors du couvercle de la bobine.
- ◆ Alignez les languettes (21) sur le couvercle de la bobine avec les échancrures (25) dans la protection.
- ◆ Enfoncez le couvercle sur le logement jusqu'à l'enclencher.

Attention! Si les fils de coupe dépassent de la lame de coupe (10), coupez-les afin qu'ils atteignent juste la lame.

Enroulement d'une nouvelle ligne de coupe sur une bobine vide (fig. K - O)

Vous pouvez enrouler un nouveau fil de coupe sur une bobine vide.

Bobine avec fil de coupe simple (fig. K & L)

Des paquets de fil de coupe de rechange sont disponibles chez votre revendeur Black & Decker (réf. A6170 (25 m) & A6171 (40 m)).

- ◆ Retirez la bobine vide de l'outil comme expliqué ci-dessus.
- ◆ Retirez tout fil de coupe restant de la bobine.
- ◆ Faites entrer 2 cm de fil de coupe dans l'un des trous (26) de la bobine comme indiqué.
- ◆ Pliez le fil de coupe et coincé-le dans la fente en forme de L (27).

- ◆ Enroulez le fil de coupe sur la bobine dans le sens de la flèche (28). Veillez à enrouler le fil proprement et en couches successives. Ne l'entrecroisez pas.
- ◆ Lorsque le fil de coupe enroulé est encastré (29), coupez-le. Laissez le fil sortir d'env. 9 cm de la bobine et mettez un doigt sur le fil pour le maintenir en place.
- ◆ Procédez comme expliqué ci-dessus pour installer la bobine dans l'outil.

Attention! Utilisez uniquement le type correct de fil de coupe de Black & Decker.

Bobine avec fil de coupe double (fig. M - O)

Des paquets de fil de coupe de rechange sont disponibles chez votre revendeur Black & Decker (réf. A6440).

- ◆ Retirez la bobine vide de l'outil comme expliqué ci-dessus.
- ◆ Retirez tout fil de coupe restant de la bobine.
- ◆ Enroulez d'abord le nouveau fil sur la partie supérieure de la bobine :
 - Faites entrer 2 cm de fil de coupe dans l'un des trous (30) de la section supérieure de la bobine comme indiqué.
 - Enroulez le fil de coupe sur la bobine dans le sens de la flèche (31). Veillez à enrouler le fil proprement et en couches successives. Ne l'entrecroisez pas.
 - Lorsque le fil de coupe enroulé est encastré (32), coupez-le.
 - Laissez temporairement le fil dans les fentes (33) sur un côté de la bobine comme indiqué.
- ◆ Répétez l'opération précédente pour le second fil de coupe sur la partie inférieure de la bobine. Laissez le fil dans les fentes restées libres (33).
- ◆ Procédez comme expliqué ci-dessus pour installer la bobine dans l'outil. N'oubliez pas de relâcher le fil de coupe des fentes où vous l'avez laissé (33).

Attention! Utilisez uniquement le type correct de fil de coupe de Black & Decker. Assurez-vous que le fil de coupe se trouve dans les deux sections de la bobine.

Dépannage

Si votre outil ne semble pas fonctionner correctement, suivez les instructions ci-dessous. Si elles ne vous sont d'aucune aide pour résoudre le problème, contactez votre service de réparation local Black & Decker.

Attention! Avant de commencer, débranchez l'outil.

Appareil fonctionnant lentement

- ◆ Assurez-vous que le logement de bobine tourne librement. Nettoyez soigneusement si cela est nécessaire.
- ◆ Vérifiez que le fil de coupe ne dépasse pas de plus de 11 cm du logement de bobine. Si c'est le cas, coupez-le pour qu'il atteigne juste la lame coupe-fil.

L'alimentation automatique du fil ne fonctionne pas

- ◆ Maintenez les languettes enfoncées et retirez le couvercle de bobine hors du logement.
- ◆ Tirez le fil de coupe pour qu'il dépasse de 11 cm du logement. S'il reste peu de fil de coupe sur la bobine, installez une nouvelle bobine de fil de coupe comme expliqué ci-dessus.
- ◆ Alignez les languettes sur le couvercle de la bobine avec les échancrures dans le logement.
- ◆ Enfoncez le couvercle sur le logement jusqu'à l'enclencher.
- ◆ Si le fil de coupe dépasse la lame coupe fil, coupez-le afin qu'il atteigne juste la lame.

Si l'alimentation automatique de fil ne fonctionne toujours pas ou si la bobine est bloquée, essayez les suggestions suivantes:

- ◆ Nettoyez soigneusement le couvercle de la bobine et le logement.
- ◆ Retirez la bobine et vérifiez que la gâchette bouge librement.
- ◆ Retirez la bobine et déroulez le fil de coupe, puis enroulez-le à nouveau proprement comme expliqué ci-dessus. Remplacez la bobine comme indiqué.

Entretien


Votre appareil/outil Black & Decker avec/sans fil a été conçu pour fonctionner pendant longtemps avec un minimum d'entretien. Un fonctionnement continu satisfaisant dépend d'un nettoyage régulier et d'un entretien approprié de l'outil/ appareil.

Attention! Avant toute activité d'entretien sur les outils électriques avec/sans fil:

- ◆ Eteignez et débranchez l'appareil/l'outil.
- ◆ Ou coupez et retirez la batterie de l'appareil/outil s'il comporte un pack-batterie séparé.
- ◆ Voir épuisez complètement la batterie si elle est intégrée puis mettez hors tension.
- ◆ Débranchez le chargeur avant de le nettoyer. Votre chargeur ne nécessite aucun autre entretien qu'un nettoyage régulier.
- ◆ Nettoyez régulièrement les orifices de ventilation de votre outil/appareil et le chargeur à l'aide d'une brosse douce ou d'un chiffon sec.

- ◆ Nettoyez régulièrement le carter moteur à l'aide d'un chiffon humide. N'utilisez pas de produit abrasif ou à base de solvant.

Protection de l'environnement

 Collecte séparée. Ce produit ne doit pas être jeté avec les déchets domestiques normaux.

Si vous décidez de remplacer ce produit Black & Decker, ou si vous n'en avez plus l'utilité, ne le jetez pas avec vos déchets domestiques. Rendez-le disponible pour une collecte séparée.



La collecte séparée des produits et emballages usés permet le recyclage des articles afin de les utiliser à nouveau. Le fait d'utiliser à nouveau des produits recyclés permet d'éviter la pollution environnementale et de réduire la demande de matières premières.

Les réglementations locales peuvent permettre la collecte séparée des produits électriques du foyer, dans des déchetteries municipales ou auprès du revendeur vous ayant vendu votre nouveau produit.

Black & Decker fournit un dispositif permettant de collecter et de recycler les produits Black & Decker lorsqu'ils ont atteint la fin de leur cycle de vie. Pour pouvoir profiter de ce service, veuillez retourner votre produit à un réparateur agréé qui se chargera de le collecter pour nous.

Pour connaître l'adresse du réparateur agréé le plus proche de chez vous, contactez le bureau Black & Decker à l'adresse indiquée dans ce manuel. Vous pourrez aussi trouver un liste des réparateurs agréés de Black & Decker et de plus amples détails sur notre service après-vente sur le site Internet à l'adresse suivante: www.2helpU.com

Caractéristiques techniques

| | | GL280 | GL301 | GL315 |
|--------------------|-------------------|--------|--------|--------|
| | | TYPE 2 | TYPE 2 | TYPE 3 |
| Tension | V _{AC} | 230 | 230 | 230 |
| Puissance absorbée | W | 300 | 300 | 320 |
| Vitesse à vide | min ⁻¹ | 10 000 | 10 000 | 10 000 |
| Poids | kg | 2,2 | 2,2 | 2,2 |

| | | GL337 | GL350 |
|--------------------|-------------------|--------|--------|
| | | TYPE 2 | TYPE 3 |
| Tension | V _{AC} | 230 | 230 |
| Puissance absorbée | W | 320 | 350 |
| Vitesse à vide | min ⁻¹ | 10 000 | 10 000 |
| Poids | kg | 2,2 | 2,2 |

Niveau de vibration main/bras selon la norme EN 786 :
= 4 m/s², incertitude (K) = 1,5 m/s²

Déclaration de conformité CE

DIRECTIVE MACHINES
DIRECTIVE BRUIT DANS L'ENVIRONNEMENT



GL280/GL301/GL315/GL337/GL350

Black & Decker déclare que ces produits décrits sous les «caractéristiques techniques» sont conformes avec: 2006/42/CE, EN 60335-1, EN 60335-2-91

2000/14/CE, Coupe-bordures, L ≤ 50 cm, Annexe VIII

KEMA Quality B.V., Utrechtseweg 310, 6802 ED Arnhem, Pays-Bas Notified Body ID No.: 0344

Niveau de pression acoustique conforme à la norme 2000/14/CE (Article 12, Annexe III, L ≤ 50 cm) :

L_{WA} (pression sonore mesurée) 95 dB(A)
incertitude (K) = 3 dB(A)

L_{WA} (pression sonore garantie) 96 dB(A)
incertitude (K) = 3 dB(A)

Ces produits sont également conformes à la directive 2004/108/CE. Pour en savoir plus, veuillez contacter Black & Decker à l'adresse suivante ou consultez le dos du manuel.

Le soussigné est responsable de la compilation du fichier technique et effectue cette déclaration au nom de Black & Decker.



Kevin Hewitt

Vice-président Ingénierie globale
Black & Decker Europe, 210 Bath Road, Slough,
Berkshire, SL1 3YD
Royaume Uni
31-03-2010

N° de demande de brevet UK: 059745.6

Dessin pour demande de brevet UE n° 340385-0001 & 339544-0001

Garantie

Black & Decker est confiant dans la qualité de ses produits et vous offre une garantie très étendue. Ce certificat de garantie est un document supplémentaire et ne peut en aucun cas se substituer à vos droits légaux. La garantie est valable sur tout le territoire des Etats Membres de l'Union Européenne et de la Zone de Libre Echange Européenne.

Si un produit Black & Decker s'avère défectueux en raison de matériaux en mauvaises conditions, d'une erreur humaine, ou d'un manque de conformité dans les 24 mois suivant la date d'achat, Black & Decker garantit le remplacement des pièces défectueuses, la réparation des produits usés ou cassés ou remplace ces produits à la convenance du client, sauf dans les circonstances suivantes:

- ◆ Le produit a été utilisé dans un but commercial, professionnel, ou a été loué.
- ◆ Le produit a été mal utilisé ou avec négligence.
- ◆ Le produit a subi des dommages à cause d'objets étrangers, de substances ou à cause d'accidents.
- ◆ Des réparations ont été tentées par des techniciens ne faisant pas partie du service technique de Black & Decker.

Pour avoir recours à la garantie, il est nécessaire de fournir une preuve d'achat au vendeur ou à un réparateur agréé. Pour connaître l'adresse du réparateur agréé le plus proche de chez vous, contactez le bureau Black & Decker à l'adresse indiquée dans ce manuel. Vous pourrez aussi trouver une liste des réparateurs agréés de Black & Decker et de plus amples détails sur notre service après-vente sur le site Internet à l'adresse suivante: **www.2helpU.com**

Visitez notre site Web

www.blackanddecker.fr pour enregistrer votre nouveau produit Black & Decker et être informé des nouveaux produits et des offres spéciales. Pour plus d'informations concernant la marque Black & Decker et notre gamme de produits, consultez notre site **www.blackanddecker.fr**

Použití výrobku

Vaše strunová sekačka Black & Decker je určena pro sekání okrajů trávníků a pro sekání trávy na špatně přístupných místech. Tento výrobek je určen pouze pro spotřebitelské použití.

Bezpečnostní pokyny

Varování! Při použití elektrického nářadí napájeného kabelem by měly být vždy dodržovány základní bezpečnostní pokyny, včetně následujících, abyste snížili riziko vzniku požáru, riziko úrazu elektrickým proudem nebo jiného poranění a materiálních škod.

- ◆ Před použitím výrobku si pozorně přečtete celý tento návod k obsluze.
- ◆ Použití tohoto výrobku je popsáno v tomto návodu. Použití jiného příslušenství nebo přídavného zařízení a provádění jiných pracovních operací než je doporučeno tímto návodem, může způsobit poranění obsluhy.
- ◆ Tento návod uschovejte pro případné další použití.

Použití výrobku

Při práci s tímto výrobkem buďte vždy opatrní.

- ◆ Vždy používejte ochranné brýle nebo jinou vhodnou ochranu zraku.
- ◆ Nikdy nedovolte, aby s tímto výrobkem pracovaly děti nebo osoby, které nejsou seznámeny s těmito pokyny.
- ◆ Nedovolte dětem, ostatním osobám nebo zvířatům, aby se dostaly do blízkosti pracovního prostoru nebo se dotýkaly nářadí nebo napájecího kabelu.
- ◆ Nachází-li při provozu tohoto výrobku v jeho blízkosti děti, musíte být velmi opatrní.
- ◆ Tento výrobek není určen pro použití nezletilými nebo slabými osobami bez dozoru.
- ◆ Tento výrobek nesmí být použit jako hračka.
- ◆ Používejte tento výrobek pouze během dne nebo při dobrém umělé osvětlení.
- ◆ Používejte tento výrobek pouze na suchých místech. Zabraňte tomu, aby se výrobek dostal do vlhkého prostředí.
- ◆ Neponořujte tento výrobek do vody.
- ◆ Nepokoušejte se tento výrobek demontovat. Uvnitř výrobku se nenachází žádné opravitelné části.
- ◆ Nepoužívejte tento výrobek ve výbušných prostředích, jako jsou například prostory s výskytem hořlavých kapalin, plynů nebo prašných látek.
- ◆ Chcete-li snížit riziko poškození zástrčky a napájecího kabelu, nikdy netahejte za kabel, chcete-li uvolnit zástrčku ze zásuvky.

Bezpečnost ostatních osob

- ◆ Tento výrobek není určen k použití osobami (včetně dětí) se sníženými fyzickými, smyslovými nebo duševními schopnostmi, nebo s nedostatkem zkušeností a znalostí, pokud těmto osobám nebyl stanoven dohled, nebo pokud jim nebyly poskytnuty instrukce týkající se použití výrobku osobou odpovědnou za jejich bezpečnost.
- ◆ Děti by měly být pod dozorem, aby si s výrobkem nehrály.

Zbytková rizika

Je-li nářadí používáno jiným způsobem, než je uvedeno v příložených bezpečnostních varováních, mohou se objevit dodatečná zbytková rizika. Tato rizika mohou vzniknout v důsledku nesprávného použití, dlouhodobého použití atd.

Přestože jsou dodržovány příslušné bezpečnostní předpisy a jsou používána bezpečnostní zařízení, určitá zbytková rizika nemohou být vyloučena. Tato rizika jsou následující:

- ◆ **Zranění způsobená kontaktem s jakoukoli rotující nebo pohybující se částí.**
- ◆ **Zranění způsobená při výměně dílů, pracovního nástroje nebo příslušenství.**
- ◆ **Zranění způsobená dlouhodobým použitím nářadí. Používáte-li jakékoli nářadí delší dobu, zjistěte, aby byly prováděny pravidelné přestávky.**
- ◆ **Poškození sluchu.**
- ◆ **Zdravotní rizika způsobená vdechováním prachu vytvářeného při použití nářadí (příklad: - práce se dřevem, zejména s dubovým, bukovým a MDF).**

Po použití

- ◆ Není-li výrobek používán, měl by být uložen na suchém a dobře odvětrávaném místě, mimo dosah dětí.
- ◆ K uloženému výrobku nesmí mít přístup děti.
- ◆ Je-li výrobek uložen nebo přepravován ve vozidle, měl by být umístěn v zavazadlovém prostoru a měl by být zajištěn tak, aby při náhlých změnách rychlosti nebo směru jízdy nedocházelo k jeho pohybu.

Prohlídky a opravy

- ◆ Vždy před použitím zkontrolujte, zda není nářadí poškozeno nebo zda nemá vadné části. Zkontrolujte, zda nejsou jeho části rozbity a zda nejsou poškozeny spínače nebo jiné díly, které by mohly ovlivnit jeho provoz.

- ♦ Je-li jakákoliv část nářadí poškozena, nepoužívejte jej.
- ♦ Opravu nebo výměnu všech poškozených nebo nefunkčních částí nářadí svěřte autorizovanému servisu.
- ♦ Nikdy se nepokoušejte demontovat nebo vyměnit jiné díly než ty, které jsou uvedeny v tomto návodu.

Použití prodlužovacího kabelu

Vždy používejte schválený typ prodlužovacího kabelu, který je vhodný pro příkon tohoto nářadí (viz technické údaje). Prodlužovací kabel musí být vhodný pro venkovní použití a musí být také tak označen. Může být použit prodlužovací kabel HO5V V-F s délkou až 30 m a s průřezem vodiče 1,5 mm², aniž by docházelo k výkonovým ztrátám při provozu nářadí. Před použitím prodlužovací kabel řádně prohlédněte, zda není poškozen nebo opotřebován. Je-li tento kabel poškozen, vyměňte jej. V případě použití navinovacího kabelu vždy odviňte celou délku kabelu.

Doplňující bezpečnostní pokyny pro strunové sekačky

Varování! Po vypnutí motoru se bude struna sekačky ještě chvíli otáčet.

- ♦ Seznamte se řádně s ovládaním a správným použitím nářadí.
- ♦ Před použitím řádně prohlédněte napájecí kabel, zda není poškozen nebo opotřebován. Pokud dojde během práce k poškození napájecího kabelu, okamžitě nářadí vypněte a odpojte od elektrické zásuvky. **NEDOTÝKEJTE SE NAPÁJECÍHO KABELU DŘÍVE, NEŽ BUDE ODPOJEN.**
- ♦ Pokud je napájecí kabel poškozen nebo opotřebován, nářadí nepoužívejte.
- ♦ Obujte si pevnou obuv nebo holínky, aby byla chráněna vaše chodidla.
- ♦ Oblékněte si dlouhé kalhoty, aby byly chráněny vaše nohy.
- ♦ Před použitím nářadí zkontrolujte, zda je prostor, ve kterém budete sekat, zbaven větviček, kamenů, drátů a jiných překážek.
- ♦ Používejte nářadí pouze ve svislé poloze se sekačí strunou těsně nad zemí. Nikdy nespouštějte nářadí v jiné poloze.
- ♦ Při práci s tímto nářadím krácejte pomalu. Uvědomte si, že čerstvě nasekaná tráva je kluzká a vlhká.
- ♦ Nepracujte na příkrých svazích. Na svazích pracujte po vrstevnicích, nikdy ne směrem nahoru a dolů.
- ♦ Je-li nářadí v chodu, nikdy nepřecházejte přes šterkové chodníky nebo cesty.

- ♦ Nikdy se nedotýkejte struny, pokud je nářadí v chodu.
- ♦ Nepokládejte nářadí na zem, dokud se struna zcela nezastaví.
- ♦ Používejte pouze odpovídající typ struny. Nikdy nepoužívejte kovovou strunu nebo rybářský vlasec.
- ♦ Dejte pozor, abyste se nedotkli odřezávacího nože struny.
- ♦ Dávejte pozor, aby se napájecí kabel nedostal do blízkosti struny. Stále sledujte polohu napájecího kabelu.
- ♦ Ruce a nohy držte trvale mimo dosah struny, a to zejména při zapínání motoru.
- ♦ Před použitím nářadí a po každém nárazu nářadí zkontrolujte, zda nedošlo k jeho poškození a zda není nutné provedení opravy.
- ♦ Nikdy nepoužívejte nářadí s poškozenými ochrannými kryty nebo bez řádně nasazených ochranných krytů.
- ♦ Dávejte pozor, abyste se nezranili o zařízení, které upravuje délku struny. Po vysunutí nové struny nářadí před spuštěním vždy nastavte do jeho obvyklé pracovní polohy.
- ♦ Vždy zajistěte, aby větrací otvory nebyly zaneseny nečistotami.
- ♦ Pokud je přívodní napájecí kabel poškozen nebo opotřebován, strunovou sekačku (vyžinač trávy) nepoužívejte.
- ♦ Dbejte na to, aby se napájecí kabely nedostaly do blízkosti struny.

Štítky na nářadí

Na nářadí můžete nalézt následující varovné symboly:



Před zahájením obsluhy si řádně prostudujte tento návod.



Při práci s tímto nářadím používejte ochranné brýle.



Osoby a domácí zvířata udržujte ve vzdálenosti alespoň 6 m od pracovní plochy.



Zařízení nevystavujte dešti nebo prostředí s vysokou vlhkostí.

Elektrická bezpečnost



Toto nářadí je opatřeno dvojitou izolací. Proto není nutné použití uzemňovacího vodiče. Vždy zkontrolujte, zda napětí v síti odpovídá napětí na výkonovém štítku.

- ◆ Dojde-li k poškození napájecího kabelu, musí být vyměněn výrobcem nebo v autorizovaném servisu Black & Decker, aby bylo zabráněno způsobení úrazu elektrickým proudem.

Popis

Toto nářadí se skládá z několika nebo všech následujících částí.

1. Hlavní spínač
2. Rukojeť
3. Držák kabelu
4. Napájecí přívod
5. Přídavná rukojeť
6. Trubice
7. Háčky
8. Seřizovací tlačítko
9. Ochranný kryt
10. Odřezávací nůž struny
11. Struna
12. Pouzdro cívky
13. Vodítko
14. Hlava

Montáž

Varování! Před montáží se ujistěte, zda je nářadí vypnuto a zda je napájecí kabel odpojen od zásuvky.

Připojení trubice k hlavě (obr. A)

- ◆ Srovnejte pravoúhlý výstupek na trubici (6) s místem uložení na hlavě (14).
- ◆ Zasuňte trubici do hlavy a stlačte ji tak, aby došlo k jejímu řádnému usazení.

Připojení rukojeti k trubici (obr. B)

- ◆ Srovnejte výstupek na trubici (6) s místem uložení v rukojeti (2).
- ◆ Zasuňte trubici do rukojeti a stlačte ji tak, aby došlo k jejímu řádnému usazení.

Nasazení ochranného krytu (obr. C)

- ◆ Vyšroubujte z hlavy šroub (15).
- ◆ Nasaďte na nářadí kryt jako na uvedeném obrázku.
- ◆ Ochranný kryt (9) lehce přitlačte, aby došlo k jeho řádnému usazení.
- ◆ Zajistěte ochranný kryt šroubem.

Varování! Nikdy nepoužívejte nářadí bez řádně nasazeného krytu.

Uvolnění struny

Během přepravy je struna k cívce přichycena páskou.

- ◆ Odstraňte pásku, kterou je struna (11) přichycena ke krytu cívky (12).

Připojení nářadí k elektrické síti (obr. D)

- ◆ Připojte koncovku vhodného napájecího kabelu k napájecímu přívodu (4).
- ◆ Zavěste napájecí kabel na držák kabelu (3).
- ◆ Zasuňte zástrčku napájecího kabelu do síťové zásuvky.

Pro vedení kabelu: Před připojením zástrčky k elektrické síti se ujistěte, zda je kabel uchycen v držáku kabelu.

Varování! Prodlužovací kabel musí být vhodný pro venkovní použití.

Použití

Varování! Nechejte nářadí pracovat vlastním tempem. Zamezte přetěžování nářadí.

Nastavení režimu seřezávání nebo zařezávání krajů (obr. E - G)

Nářadí může pracovat v režimu sekání, jak je znázorněno na obr. F nebo v režimu sekání okrajů trávníku při odstraňování převisů trávy u okrajů trávníků a u květinových záhonů, jak je znázorněno na obr. G.

Režim sekání (obr. E a F)

Při sekání by měla být hlava sekačky v poloze, která je uvedena na obr. F. Není-li tomu tak:

- ◆ Stiskněte seřizovací tlačítko (8).
- ◆ Otáčejte hlavou (14), zatímco uvolníte tlačítko.
- ◆ Jakmile se hlava dostane na požadované místo, tlačítko zaskočí.

Poznámka: Trubicí můžete otáčet pouze jedním směrem.

Režim sekání okrajů (obr. E a G)

Při sekání okrajů trávníků by měla být hlava sekačky v poloze, která je uvedena na obr. G. Není-li tomu tak:

- ◆ Stiskněte seřizovací tlačítko (8).
- ◆ Otáčejte hlavou (14), zatímco uvolníte tlačítko.
- ◆ Jakmile se hlava dostane na požadované místo, tlačítko zaskočí.

Poznámka: Trubicí můžete otáčet pouze jedním směrem.

Zapnutí a vypnutí

- ◆ Chcete-li nářadí spustit, stiskněte spouštěcí páčku (1).
- ◆ Chcete-li nářadí vypnout, uvolníte spouštěcí páčku.

Varování! Nikdy se nepokoušejte zajistit spouštěcí páčku v poloze zapnuto.

Užitečné rady pro práci s nářadím

Všeobecně

- ♦ Chcete-li dosáhnout optimálních výsledků, sekejte pouze suchou travu.

Sekání travnatých ploch

- ♦ Držte nářadí jako na uvedeném obr. F.
- ♦ Mírně pootáčejte sekačkou ze strany na stranu.
- ♦ Pokud sečete vysokou travu, pracujte po částech od shora dolů. Trávu sekejte po krátkých kouscích.
- ♦ Udržujte nářadí mimo dosah tvrdých předmětů a jiných porostů.
- ♦ Pokud nářadí začne zpomalovat, snižte jeho zatížení.

Sekání okrajů trávníků

Optimálních výsledků při sekání okrajů trávníků bude dosaženo na okrajích, které jsou hlubší než 50 mm.

- ♦ Nepoužívejte nářadí k vytváření hran. K vytváření hran používejte rycí nářadí.
- ♦ Ved'te nářadí jako na uvedeném obr. G.
- ♦ Při sekání těsně nad zemí nářadí lehce nakloňte.

Montáž nové cívky se strunou (obr. H - J)

Cívka s jednoduchou strunou (obr. H)

Náhradní cívky se strunou získáte u autorizovaného prodejce Black & Decker (kat. č. A6481).

- ♦ Držte stisknuté přichytky (16) a sejměte z pouzdra (12) kryt cívky (17).
- ♦ Vyjměte prázdnou cívku (18) z pouzdra.
- ♦ Odstraňte z pouzdra a krytu cívky všechny nečistoty a zbytky trávy.
- ♦ Odvíhete z nové cívky přibližně 9 cm struny.
- ♦ Protáhněte strunu okem (19).
- ♦ Zatlačte cívku do pouzdra na hnací hřídel (20) a pootočte jí tak, aby byla řádně usazena. Ujistěte se, zda není struna pod cívkou sevřena a zda vyčnívá z pouzdra v délce zhruba 9 cm.
- ♦ Srovnejte přichytky na krytu cívky s otvory na pouzdru.
- ♦ Vložte kryt zpět na pouzdro tak, aby došlo k jeho řádnému usazení.

Varování! Pokud bude struna vyčnívat přes odřezávací nůž (10), uřízněte ji tak, aby dosahovala pouze k ostří odřezávacího nože struny.

Cívka se dvěma strunami (obr. I a J)

Náhradní cívky se strunou získáte u autorizovaného prodejce Black & Decker (kat. č. A6441). K dispozici jsou také kompletní kazety obsahující cívku se strunou (kat. č. A6488).

- ♦ Držte stisknuté přichytky (21) a sejměte z pouzdra (12) kryt cívky (22).
- ♦ Vyjměte prázdnou cívku (23).
- ♦ Odstraňte z pouzdra a krytu cívky všechny nečistoty a zbytky trávy.
- ♦ Vezměte novou cívku a nasuňte ji na výstupek na krytu cívky. Lehce cívkou pootočte, aby došlo k jejímu řádnému usazení.
- ♦ Uvolněte konec jedné ze strun a protáhněte ji jedním z ok (24). Struna by měla z krytu cívky vyčnívat přibližně 9 cm.
- ♦ Uvolněte konec druhé struny a protáhněte ji druhým okem. Struna by měla z krytu cívky vyčnívat přibližně 9 cm.
- ♦ Srovnejte přichytky (21) na krytu cívky s výřezy na pouzdru (25).
- ♦ Vložte kryt zpět na pouzdro tak, aby došlo k jeho řádnému usazení.

Varování! Pokud budou struny vyčnívat přes odřezávací nůž (10), uřízněte je tak, aby dosahovaly pouze k ostří odřezávacího nože struny.

Navinutí nové struny na prázdnou cívku (obr. K - O)

Na prázdnou cívku můžete navinout novou strunu.

Cívka s jednoduchou řezací strunou (obr. K a L)
Náhradní balíčky se strunou získáte u autorizovaného prodejce Black & Decker (kat. č. A6170 (25 m) a A6171 (40 m)).

- ♦ Výše popsáním způsobem vyjměte prázdnou cívku z nářadí.
- ♦ Odmotejte z cívky zbytek struny.
- ♦ Jedním z otvorů cívky (26) protáhněte 2 cm struny jako na uvedeném obrázku.
- ♦ Zahněte konec struny a zajistěte ji ve štěrbině tvaru L (27).
- ♦ Naviňte strunu na cívku ve směru označeném šipkou (28). Dejte pozor, aby byla struna navinuta na cívku úhledně a ve vrstvách. Nepřekřížujte ji.
- ♦ Pokud navijená struna dosáhne vybrání (29), odstříhněte ji. Strunu nechejte z cívky vyčnívat přibližně 9 cm a prstem ji přidržte na místě.
- ♦ Navinutou cívku vložte do nářadí výše popsáním způsobem.

Varování! Používejte pouze vhodnou strunu Black & Decker.

Cívka se dvěma řezacími strunami (obr. M - O)
Náhradní balíčky se strunou získáte u autorizovaného prodejce Black & Decker (kat. č. A6440).

- ♦ Výše popsáním způsobem vyjměte prázdnou cívku z nářadí.
- ♦ Odmotejte z cívky zbytek struny.

- ◆ Nejdříve navíjete novou strunu na horní část cívky:
 - Založte 2 cm struny do jedné ze šterbin (30) v horní části cívky, jako na uvedeném obrázku.
 - Navíjete strunu na cívku ve směru vyznačeném šipkou (31). Dejte pozor, aby byla struna navinuta na cívku úhledně a ve vrstvách. Nepřekřížujte ji.
 - Jakmile navíjená struna dosáhne vybrání (32), odstříhnete ji.
 - Uložte strunu dočasně v zářezech (33) na jedné straně cívky, jako na uvedeném obrázku.
- ◆ Zopakujte výše popsaný postup pro druhou strunu ve spodní části cívky. Strunu uložte ve volných zářezech (33).
- ◆ Navinutou cívku vložte do nářadí výše popsaným způsobem. Nezapomeňte uvolnit strunu ze zářezů (33).

Varování! Používejte pouze vhodnou strunu Black & Decker. Zajistěte, aby byla struna v obou částech cívky.

Řešení problémů

Pokud vaše nářadí nepracuje správně, postupujte podle dále uvedených kroků. Pokud nebude závada odstraněna, spojte se s autorizovaným servisem Black & Decker.

Varování! Před pokračováním odpojte nářadí od elektrické sítě.

Nářadí pracuje v nízkých otáčkách

- ◆ Zkontrolujte, zda se pouzdro cívky může volně otáčet. Je-li to nutné, opatrně jej očistěte.
- ◆ Zkontrolujte, zda struna nevyčnívá z pouzdra cívky více než 11 cm. Pokud ano, uřízněte ji tak, aby dosahovala jen k ostří odřezávacího nože struny.

Automatický posuv struny nepracuje

- ◆ Držte stisknuté přichytky a vyjměte cívku z pouzdra.
- ◆ Povytláhněte strunu tak, aby vyčnívala z pouzdra cívky zhruba 11 cm. Pokud již není dostačující délka struny k dispozici, vložte podle výše uvedených pokynů do nářadí novou cívku se strunou.
- ◆ Srovnajte výstupky na krytu cívky s výřezy na pouzdru cívky.
- ◆ Vložte kryt zpět na pouzdro tak, aby došlo k jeho řádnému usazení.
- ◆ Pokud struna přesahuje přes nůž, uřízněte ji tak, aby dosahovala jen k ostří odřezávacího nože struny.

Pokud automatický posuv struny stále nepracuje nebo pokud je cívka zablokovaná, proveďte následující:

- ◆ Pečlivě očistěte pouzdro a kryt cívky.
- ◆ Vyjměte cívku a zkontrolujte, zda se páčka může volně pohybovat.
- ◆ Vyjměte cívku a odvíjete strunu. Potom ji výše popsaným způsobem navíjete úhledně zpět. Vložte cívku zpět podle výše uvedeného postupu.

Údržba

Váš výrobek/nářadí Black & Decker napájené baterií/napájecím kabelem bylo navrženo tak, aby mělo dlouhou životnost společně s minimálními nároky na údržbu. Řádná péče o výrobek/nářadí a jeho pravidelné čištění vám zajistí jeho bezproblémový chod.

Varování! Před zahájením jakékoli údržby výrobku/nářadí napájené baterií/napájecím kabelem:

- ◆ Vypněte výrobek/nářadí a odpojte napájecí kabel od sítě.
- ◆ Nebo v případě, kdy je výrobek/nářadí vybaveno snímatelnou baterií, proveďte vypnutí výrobku/nářadí a vyjmutí baterie.
- ◆ Nebo nelze-li baterii z nářadí vyjmout, nechejte nářadí v chodu, dokud nedojde k úplnému vybití baterie a potom nářadí vypněte.
- ◆ Před čištěním odpojte nabíječku vždy od sítě. Vaše nabíječka nevyžaduje žádnou údržbu mimo pravidelné čištění.
- ◆ Větrací otvory výrobku/nářadí a nabíječky pravidelně čistěte měkkým kartáčem nebo suchým hadříkem.
- ◆ Pomocí vlhkého hadříku pravidelně čistěte kryt motoru. Nepoužívejte žádné brusné čisticí prostředky nebo rozpouštědla.

Ochrana životního prostředí



Tříděný odpad. Tento výrobek nesmí být vyhozen do běžného domácího odpadu.

Jednoho dne zjistíte, že výrobek Black & Decker musíte vyměnit nebo jej nebudete dále používat. V tomto případě myslíte na ochranu životního prostředí a nevyhazujte jej do domácího odpadu. Zlikvidujte tento výrobek v tříděném odpadu.



Tříděný odpad umožňuje recyklaci a opětovné využití použitých výrobků a obalových materiálů. Opětovné použití recyklovaných materiálů pomáhá chránit životní prostředí před znečištěním a snižuje spotřebu surovin.

Místní sběrný odpadů, recyklační stanice nebo prodejny vám poskytnou informace o správné likvidaci elektro odpadů z domácnosti.

Společnost Black & Decker poskytuje službu sběru a recyklace výrobků Black & Decker po skončení jejich provozní životnosti. Chcete-li získat výhody této služby, odevzdejte prosím váš výrobek kterémukoli autorizovanému zástupci servisu Black & Decker, který náradí odebere a zajistí jeho recyklaci.

Místo nejbližšího autorizovaného servisu Black & Decker se dozvíte na příslušné adrese uvedené na zadní straně tohoto návodu. Seznam autorizovaných servisů Black & Decker a podrobností o poprodejním servisu naleznete také na internetové adrese: **www.2helpU.com**

Technické údaje

| | | GL280 TYP 2 | GL301 TYP 2 | GL315 TYP 3 |
|------------------|-------------------|----------------|----------------|----------------|
| Napájecí napětí | V | 230 | 230 | 230 |
| Příkon | W | 300 | 300 | 320 |
| Otáčky naprázdno | min ⁻¹ | 10 000 | 10 000 | 10 000 |
| Hmotnost | kg | 2,2 | 2,2 | 2,2 |

| | | GL337 TYP 2 | GL350 TYP 3 |
|------------------|-------------------|----------------|----------------|
| Napájecí napětí | V | 230 | 230 |
| Příkon | W | 320 | 350 |
| Otáčky naprázdno | min ⁻¹ | 10 000 | 10 000 |
| Hmotnost | kg | 2,2 | 2,2 |

Vibrace působící na ruce a paže obsluhy měřené dle normy EN 786:
= 4 m/s², odchylka (K) = 1,5 m/s²,

ES Prohlášení o shodě

NAŘÍZENÍ PRO STROJNÍ ZAŘÍZENÍ
NAŘÍZENÍ TÝKAJÍCÍ SE VNĚJŠÍHO HLUKU



GL280/GL301/GL315/GL337/GL350

Společnost Black & Decker prohlašuje, že tyto produkty popsané v technických údajích splňují požadavky následujících norem: 2006/42/EC, EN 60335-1, EN 60335-2-91.

2000/14/EC, Sekačka trávníků, L ≤ 50 cm, příloha VIII

KEMA Quality B.V., Utrechtseweg 310, 6802 ED Arnhem, The Netherlands

Úředně stanovený orgán id. č.: 0344

Úroveň akustického výkonu podle normy 2000/14/

EC (článek 12, příloha III, L ≤ 50 cm):

L_{WA} (měřený akustický výkon) 95 dB(A)
odchylka (K) = 3 dB(A)

L_{WA} (zaručený akustický výkon) 96 dB(A)
odchylka (K) = 3 dB(A)

Tyto výrobky splňují také požadavky směrnice 2004/108/EC. Chcete-li získat další informace, kontaktujte prosím společnost Black & Decker na následující adrese nebo na adresách, které jsou uvedeny na konci tohoto návodu.

Níže podepsaná osoba je odpovědná za sestavení technických údajů a provádí toto prohlášení v zastoupení společnosti Black & Decker.

Kevin Hewitt

Viceprezident pro spotřebitelskou techniku
Black & Decker Europe, 210 Bath Road, Slough,
Berkshire, SL1 3YD
United Kingdom
31-03-2010

Aplikační číslo patentu pro UK: 059745.6

Použité patenty EU 340385-0001 a 339544-0001

Záruka

Společnost Black & Decker důvěřuje kvalitě svého vlastního náradí a poskytuje kupujícímu mimořádnou záruku. Tato záruka je nadstandardní a v žádném případě nepoškozuje Vaše zákonná práva. Tato záruka platí ve všech členských státech EU a Evropské zóny volného obchodu EFTA.

Objeví-li se na výrobku Black & Decker, v průběhu 24 měsíců od zakoupení, jakékoli materiálové či výrobní vady, garantujeme ve snaze o minimalizování vašich starostí bezplatnou výměnu vadných dílů, opravu nebo výměnu celého výrobku za níže uvedených podmínek:

- ♦ Výrobek nebyl používán pro obchodní nebo profesionální účely a nedocházelo-li k jeho pronájmu.
- ♦ Výrobek nebyl vystaven nesprávnému použití a nebyla zanedbána jeho předepsaná údržba.
- ♦ Výrobek nebyl poškozen cizím zaviněním.
- ♦ Nebyly prováděny opravy výrobku jinými osobami než pracovníky značkového servisu Black & Decker.

Při uplatňování reklamace je nutno prodejci nebo servisnímu středisku předložit doklad o nákupu výrobku. Místo vaší nejbližší autorizované servisní pobočky Black & Decker se dozvíte na příslušné adrese uvedené na zadní straně této příručky. Seznam autorizovaných servisů Black & Decker a podrobnosti o poprodejním servisu naleznete také na internetové adrese: **www.2helpU.com**

Navštivte naši internetovou adresu **www.blackanddecker.co.uk** a zaregistrujte si Váš výrobek Black & Decker. Budete tak mít neustále přehled o nových výrobcích a speciálních nabídkách. Další informace o značce Black & Decker a o našem výrobním programu získáte na internetové adrese **www.blackanddecker.co.uk**

Rendeltetesszerű használat

Az Ön Black & Decker márkájú fűszegélyvágóját gyepszékely vágására és igazítására, illetve kis területen való kaszálásra terveztük. A fűszegélyvágó iparszerű felhasználásra nem alkalmas.

Biztonsági előírások

Figyelmeztetés! Hálózati áramforrásról működtetett készülékek használatakor be kell tartani az alapvető biztonsági előírásokat, többek között a következőket a tűz, az áramütés, a személyi sérülés és az anyagi károkozás veszélyének elkerülése érdekében.

- ◆ A készülék használata előtt figyelmesen olvassa végig ezt a kézikönyvet.
- ◆ A szerszám rendeltetesszerű használatát ebben a kézikönyvben ismertetjük. A kézikönyvben nem ajánlott tartozék vagy felszerelés használata, illetve itt föl nem sorolt műveletek végzése, személyi sérülés és/vagy anyagi kár veszélyével jár.
- ◆ Őrizze meg ezt a kézikönyvet, hogy később is fellapozhassa.

A készülék használata

Mindig körültekintően használja a készüléket.

- ◆ Mindig viseljen biztonsági védőszemüveget.
- ◆ Ne engedje, hogy gyerekek vagy a használati utasítást nem ismerő személyek használják a készüléket.
- ◆ Ne engedje, hogy gyerekek vagy állatok a munkaterület közelébe menjenek, illetve hozzányúljanak a készülékhez és a tápkábelhez.
- ◆ Gondos felügyelet szükséges, ha a készüléket olyan helyen használják, ahol gyerekek vannak a közelben.
- ◆ A készüléket fiatalok vagy fogyatékkal élők csak felügyelettel használhatják.
- ◆ A készülék nem játékszer.
- ◆ A készülék csak nappali fénynél vagy jó mesterséges világítás mellett használható.
- ◆ Csak száraz környezetben használható. Ne érje nedvesség a készüléket.
- ◆ Ne merítse vízbe.
- ◆ Ne nyissa föl a készülék burkolatát. A készülék belsejében nincsenek a felhasználó által szervizelhető alkatrészek.
- ◆ Robbanásveszélyes környezetben, például gyúlékony folyadékok, gázok vagy por jelenlétében, ne használja a készüléket.
- ◆ A készüléket soha ne húzza ki a kábelnél fogva a konnektorból, hogy elkerülje a dugasz és a kábel sérülését.

Mások biztonsága

- ◆ Ezt a szerszámot nem használhatják korlátozott fizikai, érzékelési és mentális képességekkel rendelkező, vagy gyakorlatlaltal és ismeretekkel nem rendelkező személyek (beleértve a gyermekeket is); kivétel, ha a biztonságukért felelős személy felügyeletet és tájékoztatást biztosít számukra.
- ◆ A gyerekeket felügyelni kell, nehogy játszanak a szerszámmal.

Maradványkockázatok

A biztonsági figyelmeztetésekben ismertetett kockázatok mellett más kockázatok is jellemezhetik a szerszám használatát. Ezek a kockázatok a szerszám rendeltetéstől eltérő, illetve huzamos használatából stb. adódhatnak.

A vonatkozó biztonsági előírások alkalmazása és a védőeszközök használata ellenére bizonyos kockázatokat (ún. maradványkockázatokat) nem lehet elkerülni. Ezek a következők:

- ◆ **A forgó/mozgó alkatrészek megérintése által okozott sérülés.**
- ◆ **Az alkatrészek, vágólapok, tartozékok cseréje által okozott sérülés.**
- ◆ **A szerszám huzamos használata által okozott egészségkárosodás. Ha valamely szerszámot huzamosabb ideig használ, akkor tartson rendszeresen szüneteket a munkában.**
- ◆ **Halláskárosodás.**
- ◆ **A használat közben famunkáknál keletkező por belégzése miatti egészségkárosodás, (különös tekintettel a tölgy, bükk és MDF anyagokra).**

Használat után

- ◆ A használaton kívüli készüléket száraz, jól szellőző helyen, gyerekektől elzárva tartsa.
- ◆ A készülék gyerekek elől elzárva tárolandó.
- ◆ Ha a készüléket egy járműben tárolja, illetve szállítja, vagy a csomagtartóban tartsa, vagy kösse le, hogy ne mozdulhasson el hirtelen sebesség- vagy irányváltáskor.

Átvizsgálás és javítás

- ◆ Használat előtt ellenőrizze, nem sérült-e a készülék, illetve nem hibás-e valamelyik alkatrésze. Ellenőrizze, nem törtek-e alkatrészei, vagy más körülmény nem akadályozza-e a készülék működését.
- ◆ Ne használja a készüléket, ha bármely alkatrésze sérült vagy hibás.

- ◆ Márkaszervizben javíttassa meg a sérült, illetve hibás alkatrészt.
- ◆ Kizárólag a kézikönyvben leírt alkatrészeket szerelje le vagy cserélje ki.

Hosszabbító kábel használata

Mindig jóváhagyott, a készülék felvett teljesítményének megfelelő hosszabbító kábelt használjon (lásd a műszaki adatokat). A hosszabbító kábel kültéri használatra alkalmas, és ilyen értelmű jelöléssel ellátott legyen. Legfeljebb 30 m hosszú és 1,5 mm² keresztmetszetű HO5VV-F hosszabbító kábelt használhat a termék teljesítményének csökkenése nélkül. Használat előtt vizsgálja meg a hosszabbító kábelt, nem látható-e rajta sérülés, kopás vagy előregedés jelei. A hibás, illetve sérült hosszabbító kábelt cserélje ki. Ha kábeldobot használ, mindig teljesen tekerje le a kábelt.

Kiegészítő biztonsági utasítások fűszegélyvágóhoz

Figyelmeztetés! A vágó alkatrészek a motor kikapcsolása után is forognak még.

- ◆ Ismerkedjen meg a készülék vezérlőivel és megfelelő használatával.
- ◆ Használat előtt ellenőrizze a tápkábelt és a hosszabbító kábelt, nem látható-e rajtuk sérülés, kopás vagy előregedés jelei. Ha valamelyik kábel használat közben megsérül, azonnal csatlakoztassa le a hálózati áramforrásról. **NE ÉRJEN A KÁBELHEZ MIELŐTT ÁRAMTALANÍTANÁ.**
- ◆ Ne használja a készüléket, ha kábelei sérültek vagy elhasználódtak.
- ◆ Védje lábát magasszárú cipővel vagy csizmával.
- ◆ Viseljen hosszúnadrágot.
- ◆ A készülék használata előtt ellenőrizze, nincsenek-e a vágás útjában botok, kövek, drótok vagy más akadályok.
- ◆ Csak függőleges helyzetben használja a készüléket, a vágószál pedig a talaj közelében legyen. Soha ne kapcsolja be a készüléket más helyzetben.
- ◆ A készülék használatakor lassan mozogjon. Ne feledje, a frissen vágott fű nedves és csúszós.
- ◆ Ne dolgozzon meredek lejtőn. Lejtőn keresztbe haladva dolgozzon, ne föl-le irányba.
- ◆ Ne menjen át kavicsos ösvényen, úton működő készülékkel.
- ◆ Ne nyúljon a vágószálhoz, ha a készülék be van kapcsolva.
- ◆ Ne tegye le a készüléket, amíg a vágószál forgása le nem áll.

- ◆ Csak a megfelelő típusú vágószálat használja. Soha ne használjon fém vágószálat vagy horogász zsinórt.
- ◆ Legyen óvatos, ne érjen a zsinórvágó pengéhez.
- ◆ Ügyeljen, hogy a vágószál ne érintkezessen a tápkábellel. Mindig tudja, hol fut a tápkábel.
- ◆ Kezét, lábát folyamatosan óvja a vágószáltól, különösen a motor bekapcsolásakor.
- ◆ A készülék használata előtt és esetleges ütődése után ellenőrizze, nem sérült vagy kopott-e; ha szükséges, javítsa ki.
- ◆ Soha ne dolgozzon védőburkolat nélküli készülékkel, illetve ha a burkolat sérült.
- ◆ Ügyeljen, nehogy sérülést szenvedjen a vágószál levágására szolgáló alkatrész miatt. Új vágószál kihúzása után mindig állítsa szokásos működési helyzetbe a gépet még a motor bekapcsolása előtt.
- ◆ Mindig győződjön meg róla, hogy a szellőzőnyílásokat nem tömíti-e el törmelék.
- ◆ Ne használja a pázsit-, illetve szegélyvágót, ha kábelei sérültek vagy elhasználódtak.
- ◆ Óvja a hosszabbító kábelt a vágó alkatrésztől.

Címkék a készüléken

A következő figyelmeztető jelzések láthatók a készüléken:



A készülék használata előtt olvassa el a használati utasítást.



Viseljen védőszemüveget a készülék használatakor.



Ne engedjen embereket és állatokat a vágási terület 6 m-es körzetébe.



Ne tegye ki a készüléket esőnek, nedveségnek.

Elektromos biztonság



A készülék kettős szigetelésű; ezért nincs szükség földelő vezetékre. Mindig ellenőrizze, hogy a szerszám adattábláján megadott feszültség egyezik-e a hálózati feszültséggel.

- ◆ Ha a hálózati kábel sérült, a veszély elkerülése érdekében azt a gyártóval vagy hivatalos Black & Decker vevőszolgálattal ki kell cseréltetni.

Leírás

Az Ön által vásárolt készülék a következő jellemzőkkel rendelkezik:

1. Be/ki üzemi kapcsoló
2. Fogantyú
3. Kábeltehermentesítő
4. Hálózati csatlakozó
5. Pótfogantyú
6. Nyél
7. Kábeltartó kampók
8. Vágófej állító gomb - csak GL315 és GL350 típusnál
9. Védőburkolat
10. Szálvágó él
11. Vágószál
12. Orsóház
13. Szélezetű - csak GL315 és GL350 típusnál
14. Vágófej

A készülék összeszerelése

Figyelem! Mielőtt elkezdí a gép összeszerelését, győződjön meg arról, hogy a készülék ki van kapcsolva, és a hálózati csatlakozó le van választva az áramforrásról.

A nyél vágófejre szerelése (A ábra)

- ◆ Állítsa a nyél (6) négyszögletű érintkezőjét egy vonalba a vágófejen (14) lévő csatlakozóval.
- ◆ Illesse a nyelet a vágófejbe és nyomja addig, amíg a helyére kattán.

A fogantyú nyélre szerelése (B ábra)

- ◆ Állítsa a nyél (6) kerek érintkezőjét egy vonalba a fogantyún (2) lévő csatlakozóval.
- ◆ Illesse a nyelet a fogantyúba és nyomja addig, amíg a helyére kattán.

A védőburkolat felszerelése (C ábra)

- ◆ Távolítsa el a csavart (15) a vágófejből.
- ◆ Helyezze a védőburkolatot a készülékre az ábra szerint.
- ◆ Határozottan nyomja a védőburkolatot (9) addig, amíg az be nem reteszeli.
- ◆ Rögzítse a védőburkolatot a csavarral.

Figyelem! Soha ne használja a készüléket addig, amíg a védőburkolat nincs megfelelően felszerelve.

A vágószál kioldása

A csomagolásban a vágószál az orsóházra van ragasztva.

- ◆ Távolítsa el a ragasztót, amely a vágószálat (11) az orsóházhoz (12) rögzíti.

A készülék áramforrásra való csatlakoztatása (D ábra)

- ◆ Csatlakoztassa az erre alkalmas hosszabbító kábelt a készülék dugaszoló aljzatához (4).
- ◆ Hurkolja át a kábelt a kábeltehermentesítőn (3).
- ◆ Csatlakoztassa a hosszabbító kábelt a konnektorba.

A vezeték tehermentesítéséhez ellenőrizze, hogy a kábeltehermentesítőre valóban rá van hurkolva a kábel, mielőtt csatlakozna az áramforráshoz.

Figyelem! Csak szabadtéri használatra alkalmas hosszabbító kábelt használjon! Amennyiben kábeldobon lévő hosszabbító kábelt használ, úgy azt a munka megkezdése előtt mindig teljesen tekerje le.

A készülék használata

Figyelem! Hagyja a készüléket a saját tempójában dolgozni. Ne a gép erőltetésével gyorsítsa a munkatempót. Ne terhelje túl a gépet.

A készülék beállítása fűszegély vagy szélező üzemben történő vágásra (E - G ábra) (csak GL315 és GL350 típusnál)

A gép használható fűszegélyvágó üzemmódban (lásd F ábra), vagy szélező üzemmódban a pázsit szélein esetleg virágágyások mentén a túlságosan kilógó fűszálak levágására (lásd G ábra).

Fűszegélyvágó üzemmód (E és F ábra) (csak GL315 és GL350 típusnál)

A fűszegélyek vágásához a készülék fejét a F ábrán látható pozícióba kell hozni. Ha ez nem így van, akkor tegye az alábbiakat:

- ◆ Nyomja meg a vágófej beállító gombot (8).
- ◆ Fordítsa el a vágófejet (14) s eközben eressze el a gombot.
- ◆ Amikor a fej a megfelelő pozícióba kerül, a gomb bereteszelődik a helyére.

Megjegyzés: A nyél csak egy irányban fordítható el.

Szélező üzemmód (E és G ábra) (csak GL315 és GL350 típusnál)

A szélek vágásához a készülék fejét a G ábrán látható pozícióba kell hozni. Ha ez nem így van, akkor tegye az alábbiakat:

- ◆ Nyomja meg a vágófej beállító gombot (8).
- ◆ Fordítsa el a vágófejet (14) s eközben eressze el a gombot.
- ◆ Amikor a fej a megfelelő pozícióba kerül, a gomb bereteszelődik a helyére.

Megjegyzés: A nyél csak egy irányban fordítható el.

A készülék be- és kikapcsolása

- ◆ A gép bekapcsolásához húzza meg a kapcsolókart (1).
- ◆ A gép kikapcsolásához engedje el a kapcsolókart (1).

Figyelem! Soha ne próbálja meg a kapcsolókar rögzítését működő készüléknél.

Javaslatok az optimális munkavégzéshez

Általánosságban

- ◆ Az optimális vágási eredmény eléréséhez csak száraz fűvet vágjon.

Fűszegélynyírás

- ◆ Tartsa a készüléket az F ábrán látható pozícióban.
- ◆ Lengesse könnyedén a fűszegélyvágót ide-oda, egyik oldalról a másikra.
- ◆ Ha hosszú fűvet vág, azt fokozatosan, kis lépésekben tegye a tetejétől kiindulva.
- ◆ Tartsa távol a készüléket keményebb tárgyaktól és érzékeny növényektől.
- ◆ Ha a készülék motorja elkezd lassabban pörögni, csökkentsze a terhelést.

Szélezés (csak GL315 és GL350 típusnál)

Optimális vágási eredmény eléréséhez a fűszegély szélének legalább 50mm mélynek kell lennie.

- ◆ Ne használja a készüléket fűszegély szélek létrehozására. Új fűszegély szél kiképzésére használjon élezőasztot.
- ◆ A G ábrán látható módon vezesse a gépet.
- ◆ Rövidebb vágási eredmény eléréséhez kissé döntse meg a készüléket.

Új orsó felszerelése (H - J ábra)

GL280/GL301 - Orsó egy damil szállal (H ábra)

A pótorsó damillal együtt (típuszám: A6481) megvásárolható a Black & Decker szakkereskedőknél.

- ◆ Válassza le a készüléket a hálózati áramforrásról.
- ◆ Tartsa a füleket (16) benyomva és távolítsa el az orsófedelelet (17) az orsópárról (12).
- ◆ Vegye ki az üres orsót (18) az orsópárról.
- ◆ Távolítsa el a fű- és egyéb maradványokat az orsófedélből és az orsópárról.
- ◆ Fogja meg az új orsót és tekerjen le kb. 9 cm vágószálat.
- ◆ Vezesse át a fűzőszemen (19) a vágószál véget
- ◆ Nyomja az új orsót a tengelyre (20) és forgassa meg egy kissé az orsót, amíg a helyére nem kerül. Ellenőrizze, hogy a vágószál nem szorult az orsó alá és az orsópárról 9 cm vágószál nyúlik ki.
- ◆ Igazítsa az orsófedél füleit az orsópárral illesztékeibe.
- ◆ Nyomja az orsófedelelet az orsópárra addig, amíg pontosan be nem illeszkedik a helyére.

Figyelem! Ha a vágószál túlnyúlik a vágó élén (10), vágja akkorára, hogy éppen csak érintse az élt.

GL315/GL350 - Orsó kettős damil szállal (I és J ábra)

A pótorsó damillal együtt (típuszám: A6441) és a komplett kazetta - mely az orsóra tekert vágószázból és az orsófedélből áll - (típuszám A6442 vagy A6488) is megvásárolható a Black & Decker szakkereskedőknél.

- ◆ Válassza le a készüléket a hálózati áramforrásról.
- ◆ Tartsa a füleket (21) benyomva és távolítsa el az orsófedelelet (22) az orsópárról (12).
- ◆ Vegye ki az üres orsót (23) az orsófedélből.
- ◆ Távolítsa el a fű- és egyéb maradványokat az orsófedélből és az orsópárról.
- ◆ Nyomja az új orsót az orsófedél csapjaira. Forgassa meg egy kissé az orsót, amíg a helyére nem kerül.
- ◆ Az egyik vágószál véget oldja ki és vezesse át a megfelelő fűzőszemen (24)). A vágószálnak körülbelül 9 centiméterre kell kilógnia az orsófedélből.
- ◆ Oldja ki a másik vágószál véget is és vezesse át a másik fűzőszemen. A vágószálnak körülbelül 9 centiméterre kell kilógnia az orsófedélből.
- ◆ Igazítsa az orsófedél füleit (21) az orsópárral illesztékeibe (25).
- ◆ Nyomja az orsófedelelet az orsópárra addig, amíg pontosan be nem illeszkedik a helyére.

Figyelem! Ha a vágószál túlnyúlik a vágó élén (10), vágja akkorára, hogy éppen csak érintse az élt.

Új vágószál felcsévézése az üres orsóra (K - O ábra)

Az orsóra feltekerhet pót vágószálat is.

GL280/GL301 - Orsó egy damil szállal (K és L ábra)

A pót vágószál megvásárolható a Black & Decker szakkereskedőknél. (típuszám: A6170 (25m) és A6171 (40m)).

- ◆ Távolítsa el az üres orsót a készülékről a fent leírtak szerint.
- ◆ Távolítsa el az orsóról a maradványszálakat.
- ◆ Vezessen 2 cm hosszú szálat az orsó egyik furatába (26) az ábrán látható módon.
- ◆ Hajtsa meg a szálat és biztosítsa az L-formájú vajatba (27).
- ◆ Csévélje fel a vágószálat az orsóra a nyíl (28) irányába. Ügyeljen arra, hogy a szálat egymás mellé, rétegesen tekercselje fel. Ne keresztezze a szálatokat.
- ◆ Ha a feltekerített szál eléri a mélyedést (29), vágja el. Hagyja a szálat kb. 9 cm-el túlnyúlni az orsóból és tartsa meg az ujjával.

- ◆ A már korábban leírtak szerint helyezze az orsót a készülékre.

Figyelem! Csak megfelelő típusú Black & Decker vágószálat használjon.

GL315/GL350 - Orsó kettős damil szállal (M – O ábra)

A pótvágószál megvásárolható a Black & Decker szakkereskedőknél. (típuszám: A6440)

- ◆ Távolítsa el az üres orsót a készülékről a fent leírtak szerint.
- ◆ Távolítsa el az orsról a maradványszálakat.
- ◆ Az új vágószálat először az orsó felső részére csévélje fel:
 - Vezessen 2 cm hosszú szálat az orsó felső részének vátatába (30), ahogy az ábrán látható.
 - Csévélje fel a vágószálat az orsóra a nyíl (31) irányába. Ügyeljen arra, hogy a szálat egymás mellé, rétegesen tekerceslje fel. Ne keresztezze a szálat.
 - Ha a feltekercselt szál eléri a mélyedéseket (32), vágja el.
 - Átmenetileg dugja a szálat az orsó egyik oldalának vátatába (33), ahogy az ábrán látható.
- ◆ Ismétlje meg a már leírt módon a másik vágószállal ezt a műveletet az orsó alsó oldalán is. A szálvéget dugja a másik vátatba (33).
- ◆ A már korábban leírtak szerint helyezze az orsót a készülékre. Ne feledje a szálat a vátatokból (33) kioldani.

Figyelem! Csak a megfelelő típusú Black & Decker vágószálat használja. Ügyeljen arra, hogy az orsó mindkét részén legyen vágószál.

Hibaelhárítás

Ha az Ön készüléke nem rendeltetésszerűen működik, kövesse az alábbi instrukciókat. Ha a hiba nem hárítható el az alábbi módszerekkel, kérjük, forduljon a legközelebbi Black & Decker szervizhez. **Figyelem!** Mielőtt bármilyen hibaelhárítási munkálatba kezdene, győződjön meg arról, hogy a készülék ki van kapcsolva, és a hálózati csatlakozó le van választva az áramforrásról.

A készülék fordulatszáma lassul

- ◆ Ellenőrizze, hogy az orsópálya szabadon elforgatható-e. Szükség esetén óvatosan tisztítsa meg.
- ◆ Ellenőrizze, hogy az orsópályából ne lógjon ki a vágószál 9 cm-nél hosszabban. Ha mégis így van, vágja akkorára, hogy éppen csak érintse a vágó élt.

Az automatikus száladagoló nem működik

- ◆ Tartsa a fűleket benyomva és távolítsa el az orsófedelelet az orsópályáról.
- ◆ Húzza ki a vágószálat, amíg az 9 cm-re kinyúlik az orsópályából. Ha nincs elegendő vágószál az orsón, helyezzen fel egy új orsót, vagy csévéljen újabb vágószálat az üres orsóra a fent leírtak szerint.
- ◆ Igazítsa az orsófedél fűleite az orsópálya illesztékeibe.
- ◆ Nyomja az orsófedeleletet az orsópályába addig, amíg pontosan be nem illeszkedik a helyére.
- ◆ Ha a vágószál túlnyúlik a vágó élen, vágja akkorára, hogy éppen csak érintse az élt.

Ha az automatikus száladagoló még ezek után sem működik, vagy az orsón lévő vágószál összetekeredett, próbálkozzon a következőkkel:

- ◆ Óvatosan tisztítsa meg az orsófedeleletet és az orsópályát.
- ◆ Távolítsa el az orsót és ellenőrizze, hogy a kapcsolókar szabadon mozgatható-e.
- ◆ Távolítsa el az orsót és csévélje fel újra a vágószálat, pontosan úgy, ahogy a fentiekben leírtuk. Helyezze vissza az orsót az előzőek szerint.

Karbantartás

Az Ön hálózati/akkumulátoros Black & Decker készülékét minimális karbantartás melletti hosszú távú felhasználásra terveztük. A folyamatos kielégítő működés feltétele a készülék megfelelő gondozása és rendszeres tisztítása.

Figyelmeztetés! A hálózati/akkumulátoros készülék karbantartása előtt:

- ◆ Kapcsolja ki és húzza ki a konnektorból a gépet.
- ◆ Vagy kapcsolja ki és vegye le az akkumulátort róla, ha az különálló akkumulátorral működik.
- ◆ Vagy hagyja teljesen lemerülni az akkumulátort, ha az a géppel egybe van építve, majd ezután kapcsolja ki.
- ◆ Tisztítás előtt áramtalanítsa a töltőt. A rendszeres tisztításon kívül töltsen meg igényel további karbantartást.
- ◆ Puha kefével vagy száraz törőkendővel rendszeresen tisztítsa meg a készülék és a töltő szellőzőnyílásait.
- ◆ A motorburkolatot nedves ruhával tisztíthatja rendszeresen. Ne használjon súrolószert vagy oldószer alapú tisztítószereket.

A környezet védelme



Elkülönítve gyűjtendő. A termék nem kezelhető normál háztartási hulladékként.

Ha egy nap úgy találja, hogy az Ön Black & Decker szerszáma cseréje szorul vagy a továbbiakban nincs rá szüksége, ne dobja ki a háztartási hulladékkal együtt. Gondoskodjék elkülönített kezeléséről.



A használt termékek és a csomagolás elkülönített kezelése lehetővé teszi anyagaik újrafelhasználását. Az újrafeldolgozott anyagok alkalmazása segít megelőzni a környezetszennyezést és csökkenti a nyersanyagszükségletet.

A helyi rendelkezések intézkedhetnek az elektromos termékek háztartási hulladéktól elkülönített gyűjtéséről a helyi hulladékgyűjtő helyeken, illetve olyan értelemben, hogy a helyi kereskedőnek kell gondoskodnia a termék visszavételéről új termék vásárlásakor.

A Black & Decker lehetőséget biztosít a Black & Decker termékek gyűjtésére és újrafeldolgozására, ha azok elérték élettartamuk végét. E szolgáltatás igénybevételéhez kérjük, vigye viszsza a terméket bármely szerződéses szervizünkbe, ahol vállalatunk képviselőjében gondoskodnak annak elkülönített összegyűjtéséről.

Az Önhöz legközelebb eső hivatalos márkaszervizt a kézikönyvben megadott helyi Black & Decker képviselő segítségével érheti el. Emellett a Black & Decker márkaszervizek listája, illetve eladásutáni szolgáltatásaink és azok elérhetőségének részletes ismertetése megtalálható a következő internetes címen: www.2helpU.com.

Műszaki adatok

| | | GL280 TÍPUS 2 | GL301 TÍPUS 2 | GL315 TÍPUS 3 |
|----------------------|-------------------|------------------|------------------|------------------|
| Bemeneti feszültség | Vac | 230 | 230 | 230 |
| Felvett teljesítmény | W | 300 | 300 | 320 |
| Üresjárat | | | | |
| fordulatszám | min ⁻¹ | 10 000 | 10 000 | 10 000 |
| Tömeg | kg | 2,2 | 2,2 | 2,2 |

| | | GL337 TÍPUS 2 | GL350 TÍPUS 3 |
|----------------------|-------------------|------------------|------------------|
| Bemeneti feszültség | Vac | 230 | 230 |
| Felvett teljesítmény | W | 320 | 350 |
| Üresjárat | | | |
| fordulatszám | min ⁻¹ | 10 000 | 10 000 |
| Tömeg | kg | 2,2 | 2,2 |

Kéz/kar súlyozott rezgésgyorsulás az EN 786 szerint:
= 4 m/s², toleranciafaktor (K) = 1,5 m/s²,

CE megfeleléségi nyilatkozat
GÉPI BERENDEZÉSEKRE VONATKOZÓ
IRÁNYELV
KÖRNYEZETI ZAJ IRÁNYELV



GL280/GL301/GL315/GL337/GL350

Black & Decker kinyilvánítja, hogy a "Műszaki adatok" részben ismertetett termékek megfelelnek a következő irányelveknek és szabványoknak:
2006/42/EK, EN 60335-1, EN 60335-2-91.

2000/14/EK, Szegélyvágó L ≤ 50 cm, VIII. melléklet

KEMA Quality B.V., Utrechtseweg 310, 6802 ED Arnhem, Hollandia

A tanúsító szervezet azonosító száma: 0344

Hangteljesítményszint a 2000/14/EK szerint (12-as cikkely, III-as függelék, L ≤ 50 cm):

L_{WA} (mért hangteljesítményszint) 95 dB(A)
toleranciafaktor (K) = 3 dB(A)

L_{WA} (garantált hangteljesítményszint) 96 dB(A)
toleranciafaktor (K) = 3 dB(A)

A termékek szintén megfelelnek a 2004/108/EK irányelvnek. Ha további információra lenne szüksége, lépjen kapcsolatba a Black & Decker vállalattal a következőkben megadott elérhetőségeken, ill. lásd az elérhetőségeket a kézikönyv hátoldalán.

Az aláírás tulajdonosa a műszaki adatok összeállításáért felelős személy; nyilatkozatát a Black & Decker vállalat nevében adja.

Kevin Hewitt

Alelnök, Global Engineering

Black & Decker Europe, 210 Bath Road, Slough, Berkshire, SL1 3YD
Egyesült Királyság
2010.03.31.

Angol szabadalmi igénybejelentés száma:
059745.6

Közösségi formatervezési mintaoltalmi bejelentés számok: 340385-0001 & 339544-0001

BLACK & DECKER GARANCIÁLIS FELTÉTELEK

Gratulálunk Önnek ennek az értékes Black & Decker készülék megvásárlásához.

Azon termékeinkre, amelyet fogyasztói használat keretében háztartási, hobby célra vásárolnak **24 hónap jótállást biztosítunk.**

A termék iparszerű használatra nem alkalmas!

A jótállás a fogyasztó törvényből eredő jogait nem érinti.

- 1) **Black & Decker** kötelezettséget vállal arra, hogy a garanciális javításokat a **49/2003. (VII. 30.) GKM és a 151/2003 (IX.22.) sz. Korm.** rend. szerint végzi.
 - a) A fogyasztó jótállási igényét a jótállási jeggyel érvényesítheti, ezért azt őrizze meg.
 - b) Vásárláskor az eladónak a garanciaokmányt fel kell tüntetnie a vásárlás időpontját, a termék típusát vagy termékkódját, a kereskedés nevét, címét pedig a jótállási jegyre rá kell bélyegezni. Ennek alapján szerez jogosultságot a vevő a garancia időn belüli ingyenes garanciális javításra.
 - c) Jótállási javítást csak érvényes jótállási jegy alapján végezhetnek a kijelölt szervizek.
 - d) A jótállási jegyen történt bármilyen javítás, törlés vagy átírás, valótlan adatok bejegyzése, a jótállási jegy érvénytelenségét vonja maga után.
 - e) Elvesztett jótállási jegyet csak a vásárlási számla felmutatásával, térítés ellenében tudunk pótolni!
 - f) A jótállási jegy szabálytalan kiállításra vagy a fogyasztó részére történő eladásának elmaradása nem érinti a jótállási kötelezettségvállalás érvényességét.
- 2) **Nem terjed ki a garancia:**
 - a) Ha a hiba rendeltetésellenes használat, átalakítás, szakszerűtlen kezelés, helytelen tárolás, elemi kár vagy egyéb, vásárlás után keletkezett okból következett be. *(A rendeltetéssel ellentétes használat elkerülése céljából a termékhez magyar nyelvű vásárlói tájékoztatót mellékelünk és kérjük, hogy az abban foglaltakat saját érdekében tartsa be!)*
 - b) Az olyan károsodásokra, amelyek a szerszámok iparszerű (professzionális), közületi, valamint kölcsönzési felhasználása miatt keletkeztek.
 - c) Azon alkatrészekre, amelyeknél a meghibásodás garanciaidőn belül a helyes kezelés, karbantartás szerinti rendeltetéseszerű üzemeltetés mellett az alkatrészek természetes elhasználódása, kopása következtében állt elő. *(ezek a következők: megmunkáló szerszámok pl. vágószerszám, fűrészlánc, fűrészlap, gyalukés stb. továbbá: meghajtószíj, csapágy, szénkefe, csillagkerék kpl.)*
 - d) A készülék túlterhelése miatt jelentkező hibákra, amelyek a hajtómű meghibásodásához, vagy egyéb ebből adódó károkhoz vezetnek.
 - e) A termék nem hivatalos szervizben történt javításából eredő hibákra.
 - f) Az olyan károsodásokra, amelyek nem eredeti Black & Decker kiegészítő készülékek és tartozékok használatából adódnak.

- 3) **A fogyasztó** a kijavítás iránti igényét a forgalmazónál, illetve a jótállási jegyen feltüntetett javítószolgálatnál érvényesítheti.
 - Meghosszabbodik a jótállási idő a kijavítási idő azon részével, amely alatt a fogyasztó a terméket nem tudta rendeltetéseszerűen használni.
 - A jótállási és szavatossági jogok érvényesíthetőségének határidején belül a terméknek vagy jelentősebb részének kicserélése (kijavítása) esetén a kicserélt (kijavított) termékre (termékrészre) 12 hónap jótállást biztosítunk. Ezek a következők: motor illetve állórész, forgórész, elektronika.
 - Ha a fogyasztási cikk a vásárlástól (üzembe helyezéstől) számított három munkanapon belül meghibásodik, a fogyasztó kérheti annak kicserélését feltéve, hogy a meghibásodás a rendeltetéseszerű használatot akadályozza. A Black & Decker Hungary Kft. a meghibásodás okának feltárása céljából fenntartja a jogot a hibás termék vizsgálatására. Amennyiben a reklamáció alkalmával a meghibásodás garanciális voltáról nem nyilatkozunk, úgy 72 órán belül kell értesítenünk a vásárlót a reklamáció intézésének módjáról.
Ha a csere nem lenne lehetséges, műszakilag hasonló készülék kerül felajánlásra, vagy visszafizethető a vételár.

Amennyiben a hiba keletkezése, ténye, jellege, (pl. rendeltetésellenes használat, stb.) miatt vita merül fel, a Fogyasztó szakvéleményt kérhet a Fogyasztóvédelmi Főfelügyelőségtől. A szakvélemény térítésmentes és nem kötelező érvényű a Forgalmazó számára.

- 4) **Garanciális javítás esetén** a szerviznek a garanciaokmányt az alábbi adatokat kell feltüntetnie:
 - a garanciális igény bejelentésének dátumát,
 - a hiba rövid leírását,
 - a javítás módját és időtartamát,
 - a készülék visszaadásának időpontját,
 - javítás időtartamával meghosszabbított új garanciaidőt.
- 5) **Arra törekszünk, hogy szervizhálózatunkon** keresztül kiváló javítószolgálatot, zökkenőmentes alkatrészellátást, és széles tartozékpalettát biztosítsunk.
- 6) **A fogyasztót a Polgári Törvénykönyvről szóló 1959. évi IV. törvény 306-310. §-ában, valamint a 49/2003. (VII. 30.) GKM** rendeletben meghatározott jogok illetik meg.

Gyártó:

Black & Decker GmbH
D – 65510 Idstein/Ts
Black & Decker str. 40.

Importőr:

Black & Decker Hungary Kft.
1016 Budapest
Galeotti u. 5.

Przeznaczenie

Opisywana podkaszarka Black & Decker przeznaczona jest do koszenia i przycinania krawędzi i trawników oraz koszenia trawy w trudno dostępnych miejscach. Opisywane urządzenie przeznaczone jest wyłącznie do użytku amatorskiego.

Zasady bezpiecznej pracy

Uwaga! W czasie pracy narzędziami zasilanymi sieciowo, należy przestrzegać podstawowych zasad bezpiecznej pracy oraz poniższych zaleceń, co pozwala zminimalizować ryzyko pożaru, porażenia prądem, zranienia lub uszkodzenia mienia.

- ◆ Przed przystąpieniem do użytkowania należy uważnie przeczytać całą instrukcję obsługi.
- ◆ Przeznaczenie urządzenia opisane jest w instrukcji obsługi. Użycie akcesoriów lub końcówek innych niż opisane w instrukcji obsługi oraz wykorzystanie urządzenia do innych celów, jest niebezpieczne i stwarza ryzyko zranienia.
- ◆ Zachować instrukcję do późniejszego użycia.

Użytkowanie urządzenia

W czasie użytkowania urządzenia, należy zachować ostrożność.

- ◆ Zawsze należy używać okularów ochronnych lub gogli.
- ◆ Nie wolno pozwalać dzieciom ani osobom nie znającym instrukcji na użytkowanie urządzenia.
- ◆ Nie wolno pozwalać na zbliżanie się dzieci lub zwierząt do miejsca pracy ani na dotykaniu urządzenia lub przewodu zasilającego.
- ◆ W czasie pracy w pobliżu dzieci, należy zapewnić im dodatkową opiekę.
- ◆ Opisywane urządzenie nie może być samodzielnie użytkowane przez osoby zbyt młode lub niewystarczająco silne.
- ◆ Opisywane urządzenie nie jest zabawką i nie może być w ten sposób wykorzystywane.
- ◆ Należy pracować przy świetle dziennym lub mocnym oświetleniu sztucznym.
- ◆ Używać wyłącznie w suchym otoczeniu. Nie dopuszczać do zamoczenia urządzenia.
- ◆ Nie wolno zanurzać urządzenia w wodzie.
- ◆ Nie wolno otwierać obudowy. Wewnątrz nie ma żadnych elementów, które wymagają konserwacji przez użytkownika.
- ◆ Nie używaj urządzenia w strefach zagrożonych wybuchem, na przykład w pobliżu palnych cieczy, gazów lub pyłów.
- ◆ Aby uniknąć uszkodzenia wtyczki lub przewodu, nigdy nie wolno ciągnąć za przewód zasilający, aby wyjąć wtyczkę z kontaktu.

Bezpieczeństwo osób postronnych

- ◆ Opisywane urządzenie nie jest przeznaczone do użycia przez osoby o obniżonych możliwościach fizycznych, ruchowych lub umysłowych (także dzieci) lub o zbyt małej wiedzy i doświadczeniu, jeśli nie zostały one przeszkolone lub nie pozostają pod opieką osoby odpowiedzialnej za ich bezpieczeństwo.
- ◆ Należy pilnować dzieci, aby nie bawiły się urządzeniem.

Pozostałe zagrożenia.

W czasie pracy elektronarzędziem mogą powstać zagrożenia, które nie zostały uwzględnione w załączonej instrukcji dotyczącej bezpiecznego użytkowania. Zagrożenia te mogą wynikać z niewłaściwego użytkowania, zbyt intensywnej eksploatacji lub innych przyczyn.

Nawet w przypadku przestrzegania zasad bezpiecznej pracy i stosowania środków ochronnych, nie jest możliwe uniknięcie pewnych zagrożeń. Należą do nich:

- ◆ **Obrażenia ciała w wyniku dotknięcia wirujących / ruchomych elementów.**
- ◆ **Obrażenia ciała podczas wymiany części, ostrzy lub akcesoriów.**
- ◆ **Obrażenia ciała wynikłe ze zbyt długotrwałego używania narzędzia. Pracując przez dłuższy czas, należy robić regularne przerwy.**
- ◆ **Ryzyko uszkodzenia słuchu.**
- ◆ **Zagrożenie dla zdrowia spowodowane wdychaniem pyłu wytwarzanego podczas użytkowania urządzenia (np.: podczas pracy w drewnie, szczególnie dębowym, bukowym oraz MDF).**

Po użyciu

- ◆ Nie używane urządzenie należy przechowywać w suchym, dobrze wentylowanym miejscu, poza zasięgiem dzieci.
- ◆ Dzieci nie mogą mieć dostępu do urządzenia.
- ◆ W czasie przewożenia lub przechowywania urządzenia w samochodzie, należy umieścić je w odpowiednim zagłębieniu lub przymocować tak, aby nie miało możliwości przesunięcia się w czasie gwałtownych manewrów.

Przeglądy i naprawy

- ◆ Przed użyciem sprawdzić, czy nie występują uszkodzenia lub wadliwe elementy. Sprawdzić wszelkie elementy i inne okoliczności mogące mieć wpływ na pracę urządzenia.

- ◆ Nie wolno używać uszkodzonego lub zepsutego urządzenia.
- ◆ Napraw powinien dokonywać autoryzowany serwis.
- ◆ Nie wolno demontować ani wymieniać żadnych innych części, niż te, które zostały wymienione w niniejszej instrukcji obsługi.

Użycie przedłużacza

Należy zawsze używać przedłużacza dostosowanego do poboru mocy przez urządzenie (patrz dane techniczne). Przedłużacz musi być przeznaczony do użycia na dworze i posiadać odpowiednie oznaczenia. Użycie przedłużacza oznaczonego HO5V V-F, o maksymalnej długości 30 m i przekroju 1.5 mm² nie spowoduje spadku mocy urządzenia. Przed rozpoczęciem pracy sprawdź, czy przewód nie jest uszkodzony lub zużyty. Uszkodzony przedłużacz należy wymienić. Przedłużacz nawinięty na bęben należy całkowicie rozwinąć.

Dodatkowe wskazówki dotyczące bezpiecznej pracy podkaszarkami

Uwaga! Elementy tnące obracają się jeszcze przez jakiś czas po wyłączeniu silnika.

- ◆ Należy zapoznać się z działaniem i zasadami prawidłowego użytkowania urządzenia.
- ◆ Przed użyciem należy sprawdzić stan przewodu zasilającego i przedłużacza, czy widoczne są oznaki uszkodzenia lub zużycia. W razie uszkodzenia przewodu w czasie pracy, należy natychmiast odłączyć go od źródła zasilania. **NIE WOLNO DOTYKAĆ PRZEWODU PRZED ODŁĄCZENIEM ZASILANIA.**
- ◆ Nie wolno używać urządzenia, gdy przewód jest uszkodzony lub zużyty.
- ◆ Załóż wzmocnione buty chroniące Twoje stopy.
- ◆ Noś długie spodnie osłaniające Twoje nogi.
- ◆ Przed rozpoczęciem pracy sprawdź, czy w obszarze pracy nie ma żadnych patyków, kamieni, drutów lub innych przeszkód.
- ◆ Używaj urządzenia tylko w pozycji pionowej tak, aby żyłka znajdowała się w pobliżu ziemi. Nie wolno włączać urządzenia w innej pozycji.
- ◆ W czasie pracy poruszaj się powoli. Uważaj, ponieważ świeżo ścięta trawa jest mokra i śliska.
- ◆ Nie używaj na zbyt stromych zboczach. Pracuj w poprzek zbocza, nie w kierunku góra-dół.
- ◆ Nie wolno przechodzić przez ścieżki żwirowe i uliczki z włączonym urządzeniem.
- ◆ Nie wolno dotykać żyłki w czasie, gdy włączone jest urządzenie.
- ◆ Urządzenie można odłożyć dopiero, kiedy żyłka całkowicie się zatrzyma.

- ◆ Używać wyłącznie odpowiednich żyłek. Nie wolno używać metalowych żyłek.
- ◆ Uważaj, aby nie dotknąć ostrza odcinającego żyłkę.
- ◆ Trzymaj przewód zasilający z dala od żyłki. Zawsze kontroluj położenie przewodu zasilającego.
- ◆ Trzymaj ręce i stopy zawsze z dala od żyłki, szczególnie w czasie uruchamiania.
- ◆ Przed rozpoczęciem pracy i po każdym uderzeniu, należy sprawdzić stan urządzenia. W przypadku oznak zużycia lub uszkodzenia, należy przeprowadzić odpowiednie naprawy.
- ◆ Nie wolno używać urządzenia z uszkodzonymi osłonami lub bez poprawnie założonych osłon.
- ◆ Uważaj aby nie zranić się elementami służącymi do obcinania żyłki. Po rozwinięciu nowej żyłki, należy najpierw ustawić podkaszarkę w pozycji roboczej a dopiero potem ją włączyć.
- ◆ Zawsze sprawdzaj, czy otwory wentylacyjne są czyste.
- ◆ Nie wolno używać urządzenia, gdy przewód jest uszkodzony lub zużyty.
- ◆ Trzymaj przedłużacze z dala od elementów tnących.

Oznaczenia na urządzeniu

Na urządzeniu umieszczone są następujące symbole ostrzegawcze:



Przed rozpoczęciem pracy przeczytać instrukcję obsługi.



W czasie pracy opisywanym urządzeniem, należy nosić okulary ochronne lub gogle.



Inne osoby oraz zwierzęta powinny znajdować się w odległości co najmniej 6 m od miejsca pracy.



Nie wolno wystawiać urządzenia na działanie deszczu lub dużej wilgotności.

Ochrona przed porażeniem prądem elektrycznym



Opisywane urządzenie jest podwójnie izolowane; dlatego nie ma konieczności stosowania dodatkowego uziemienia. Należy zawsze upewniać się, czy napięcie zasilania zgodne jest z wartością podaną na tabliczce znamionowej.

- ◆ Ze względów bezpieczeństwa, wymianę uszkodzonego przewodu zasilającego, należy powierzyć producentowi lub autoryzowanemu centrum serwisowemu Black & Decker.

Wyposażenie

Opisywane urządzenie zawiera wszystkie lub niektóre z niżej wymienionych elementów.

1. Wylącznik
2. Rękojeść
3. Zaczep podtrzymujący przewód
4. Gniazdo zasilania
5. Druga rękojeść
6. Rura
7. Zaczepy na przedłużacz
8. Przycisk regulacji
9. Osłona
10. Ostrze przycinające żyłkę
11. Żyłka
12. Kasetka żyłki
13. Prowadnica krawędziowa
14. Głowica

Montaż

Uwaga! Przed rozpoczęciem montażu upewnić się, czy narzędzie jest wylączone i wtyczka zasilania jest odłączona.

Łączenie głowicy z rurą (Rys. A)

- ◆ Dopasować prostokątny wypust rury (6) do miejsca w głowicy (14).
- ◆ Wsunąć rurę do głowicy i docisnąć aż do momentu zapięcia.

Łączenie uchwyty z rurą (Rys. B)

- ◆ Dopasować kwadratowy wypust rury (6) do miejsca w uchwycie (2).
- ◆ Wsunąć rurę do uchwyty i docisnąć aż do momentu zapięcia.

Montaż osłony (Rys. C)

- ◆ Wykręcić śrubę (15) z głowicy.
- ◆ Umieścić osłonę na narzędziu, jak pokazano na rysunku.
- ◆ Mocno docisnąć osłonę (9) aż do wsunięcia na miejsce.
- ◆ Przymocować osłonę śrubą.

Uwaga! Nie wolno używać urządzenia bez prawidłowo zamontowanej osłony.

Luzowanie żyłki

Na czas transportu żyłka przyklejona jest taśmą do kasety.

- ◆ Zdjąć taśmę mocującą żyłkę (11) do kasety (12).

Podłączanie narzędzia do zasilania (Rys. D)

- ◆ Przyłączyć wtyczkę żeńską odpowiedniego przedłużacza do gniazda zasilania (4).
- ◆ Przełożyć przewód przez zaczep (3).
- ◆ Włożyć wtyczkę przewodu zasilającego do kontaktu.

W przypadku urządzeń ze stałym przewodem zasilającym: Przed włożeniem wtyczki do gniazdka, należy upewnić się, że przewód przełożony jest przez zaczep podtrzymujący przewód.

Uwaga! Przedłużacz musi być dopuszczony do użycia na dworze.

Eksploatacja

Uwaga! W czasie pracy uwzględnij wydajność urządzenia. Nie przeciążaj go.

Ustawienia podkaszarki - koszenie lub przycinanie krawędzi (Rys. E - G)

Opisywana podkaszarka może służyć do koszenia trawy, jak pokazano na rysunku F lub do przycinania krawędzi trawnika np. wzdłuż rabat, jak pokazano na rysunku G.

Koszenie (Rys. E i F)

W trakcie koszenia, głowica powinna znajdować się w pozycji pokazanej na rysunku F. Jeśli nie jest, to należy:

- ◆ Wcisnąć przycisk regulacji (8).
- ◆ Obracając głowicę (14) puścić przycisk.
- ◆ Po ustawieniu w odpowiedniej pozycji, przycisk zablokuje się.

Uwaga: Rura obraca się tylko w jednym kierunku.

Przycinanie krawędzi (Rys. E i G)

Do przycinania krawędzi, głowica powinna znajdować się w pozycji pokazanej na rysunku G. Jeśli nie jest, to należy:

- ◆ Wcisnąć przycisk regulacji (8).
- ◆ Obracając głowicę (14) puścić przycisk.
- ◆ Po ustawieniu w odpowiedniej pozycji, przycisk zablokuje się.

Uwaga: Rura obraca się tylko w jednym kierunku.

Włączanie i wylączenie

- ◆ Aby włączyć urządzenie, należy nacisnąć dźwignię wylącznika (1).
- ◆ Aby wylączyć narzędzie, należy zwolnić wylącznik.

Uwaga! Nie wolno blokować wylącznika w pozycji włączonej.

Wskazówki praktyczne

Ogólne

- ◆ Aby osiągnąć najlepsze efekty cięcia, należy kosić tylko suchą trawę.

Koszenie

- ◆ Trzymaj urządzenie tak, jak pokazano na rysunku F.
- ◆ Płynnym ruchem przesuwaj kosiarkę na boki.

- ◆ W przypadku koszenia długiej trawy, pracuj stopniowo, zaczynając od góry. Przycinaj trawę po trochu.
- ◆ Nie zbliżaj podkaszarki do twardych przedmiotów i delikatnych roślin.
- ◆ Jeśli narzędzie zwalnia, należy zmniejszyć obciążenie.

Przycinanie krawędzi

Najlepsze wyniki pracy osiąga się przy przycinaniu krawędzi wyższych niż 50 mm.

- ◆ Podkaszarka nie nadaje się do tworzenia brzegów. Brzegi wykonaj za pomocą łopaty.
- ◆ Trzymaj urządzenie tak, jak pokazano na rysunku G.
- ◆ Aby zwęzić cięcie, lekko pochyl narzędzie.

Montaż nowej szpuli z żyłką (Rys. H - J)

Szpula z pojedynczą żyłką (Rys. H)

Zapasowe szpule z żyłką dostępne są u sprzedawców Black & Decker dealer (numer katalogowy A6481).

- ◆ Trzymając wciśnięte zapinki (16) zdjąć osłonę szpuli (17) z kasety (12).
- ◆ Wyjąć pustą szpulę (18) z kasety.
- ◆ Oczyszczyć osłonę i kasetę z zabrudzeń i trawy.
- ◆ Rozwinąć około 9 cm żyłki z nowej szpuli.
- ◆ Przełożyć żyłkę przez otwór (19).
- ◆ Nałożyć szpulę na wałek napędowy (20), lekko obrócić aż będzie na miejscu. Należy upewnić się, że żyłka nie dostała się pod szpulę oraz, że wystaje z kasety na około 9 cm.
- ◆ Dopasować zapinki osłony szpuli do otworów w kasecie.
- ◆ Wcisnąć osłonę na kasetę, do momentu zapięcia na miejscu.

Uwaga! Jeśli żyłka wystaje poza ostrze przycinające żyłkę (10), należy obciąć ją tak, aby ledwo sięgała ostrza.

Szpula z podwójną żyłką (Rys. I i J)

Zapasowe szpule z żyłką dostępne są u sprzedawców Black & Decker (numer katalogowy A6441). Dostępne są także kompletne kasety zawierające żyłkę (numer katalogowy A6488).

- ◆ Trzymając wciśnięte zapinki (21) zdjąć osłonę szpuli (22) z kasety (12).
- ◆ Wyjąć pustą szpulę (23) z osłony.
- ◆ Oczyszczyć osłonę i kasetę z zabrudzeń i trawy.
- ◆ Nową szpulę nasunąć na bolec w osłonie. Sprawdzić poprawne nałożenie poprzez lekkie obracanie.
- ◆ Odpiąć koniec jednej z żyłek i przełożyć żyłkę przez jeden z otworów (24). Żyłka powinna wystawać poza osłonę szpuli na około 9 cm.

- ◆ Odpiąć koniec drugiej żyłki i przełożyć żyłkę przez drugi otwór. Żyłka powinna wystawać poza osłonę szpuli na około 9 cm.
- ◆ Ustawić zapinki (21) osłony szpuli odpowiednio do wycięć (25) w kasecie.
- ◆ Wcisnąć osłonę na kasetę, do momentu zapięcia na miejscu.

Uwaga! Jeśli żyłki wystają poza ostrze przycinające żyłkę (10), należy obciąć je tak, aby ledwo sięgały ostrza.

Nawijanie nowej żyłki na pustą szpulę (Rys. K - O)

Istnieje możliwość nawinięcia nowej żyłki na szpulę.

Szpula z pojedynczą żyłką (Rys. K i L)

Opakowania z zapasową żyłką dostępne są u sprzedawców Black & Decker (numer katalogowy A6170 (25m) oraz A6171 (40 m)).

- ◆ Wyjąć pustą szpulę z narzędzia, postępując zgodnie z powyższym opisem.
- ◆ Usunąć pozostałości starej żyłki ze szpuli.
- ◆ Wsunąć 2 cm żyłki w otwory (26) w szpuli, jak pokazano na rysunku.
- ◆ Zgiąć żyłkę i zaczepić ją w nacięciu o kształcie litery L (27).
- ◆ Nawinąć żyłkę na szpulę w kierunku wskazanym przez strzałkę (28). Żyłkę należy nawijać starannie i w warstwach. Nie krzyżować żyłki.
- ◆ Żyłkę należy nawinąć do poziomu wycięć (29) w brzegu szpuli a następnie obciąć. Odwinąć około 9 cm żyłki. Palcem przytrzymać aby nie rozwijała się dalej.
- ◆ Postępując zgodnie z powyższym opisem, zamontować szpulę.

Uwaga! Używać wyłącznie odpowiedniego rodzaju żyłek firmy Black & Decker.

Szpula z podwójną żyłką (Rys. M - O)

Opakowania z zapasową żyłką dostępne są u sprzedawców Black & Decker (numer katalogowy A6440).

- ◆ Wyjąć pustą szpulę z narzędzia, postępując zgodnie z powyższym opisem.
- ◆ Usunąć pozostałości starej żyłki ze szpuli.
- ◆ Najpierw nawinąć nową żyłkę na górną część szpuli:
 - Wsunąć 2 cm żyłki w nacięcia (30) w górnej części szpuli, jak pokazano na rysunku.
 - Nawinąć żyłkę na szpulę w kierunku wskazanym przez strzałkę (31). Żyłkę należy nawijać starannie i w warstwach. Nie krzyżować żyłki.
 - Żyłkę należy nawinąć do poziomu wycięć (32) w brzegu szpuli a następnie obciąć.

- Tymczasowo zacześć żyłkę o wcięcia (33) na brzegu szpuli, jak pokazano na rysunku.
 - ◆ Aby nawinąć drugą żyłkę na dolną część szpuli, należy postępować zgodnie z powyższym opisem. Zacześć żyłkę w pozostałych wcięciach (33).
 - ◆ Postępując zgodnie z powyższym opisem, zamontować szpulę. Należy pamiętać o zwolnieniu żyłek zablokowanych we wcięciach (33).
- Uwaga!** Używać wyłącznie odpowiedniego rodzaju żyłek firmy Black & Decker. Należy upewnić się, że żyłka nawinięta jest na obie części szpuli.

Rozwiązywanie problemów

Jeśli Państwa urządzenie pracuje w sposób niewłaściwy, prosimy o zastosowanie się do poniższych instrukcji. Jeśli to nie rozwiąże problemu, należy skontaktować się z lokalnym przedstawicielem serwisowym Black & Decker.

Uwaga! Przed podjęciem poniższych działań należy odłączyć wtyczkę od źródła zasilania.

Urządzenie pracuje zbyt wolno

- ◆ Sprawdź, czy kasetka może się swobodnie obracać. Jeśli to konieczne, ostrożnie ją oczyść.
- ◆ Sprawdź, czy żyłka nie wystaje więcej niż 11 cm poza kasetę. Jeśli wystaje więcej, należy ją przyciąć tak, aby ledwo dosięgała ostrza przycinającej żyłkę.

Nie działa automatyczne rozwijanie żyłki

- ◆ Trzymając wciśnięte zapinki zdejmij osłonę szpuli do kasety.
- ◆ Wyciągnij żyłkę tak, aby wystawała 11 cm z obudowy. Jeśli ilość żyłki nawiniętej na szpulę jest niewystarczająca, należy założyć nową żyłkę, postępując zgodnie z powyższą instrukcją.
- ◆ Przypasaować zapinki osłony szpuli do wycięć w kasecie.
- ◆ Wcisnąć osłonę na kasetę do momentu zapięcia na miejscu.
- ◆ Jeśli żyłka wystaje poza ostrze przycinające żyłkę, należy obciąć ją tak, aby ledwo sięgała ostrza.

Jeśli automatyczne rozwijanie linki nadal nie działa lub szpula jest zaklinowana, należy spróbować:

- ◆ Ostrożnie oczyścić osłonę szpuli i kasetę.
- ◆ Zdjąć szpulę i sprawdzić, czy dźwignia porusza się swobodnie.
- ◆ Zdejmując szpulę i rozwijając żyłkę a następnie nawinąć ją w sposób opisany powyżej. Postępując zgodnie z instrukcją zamontować szpulę z powrotem.

Konserwacja

Opisywane sieciowe/bezprzewodowe urządzenie/narzędzie Black & Decker zostało zaprojektowane tak, aby zapewnić długoletnią pracę przy minimalnej konieczności konserwacji. Długotrwałe zadawalające działanie urządzenia zależy od odpowiedniej dbałości o urządzenie i regularnego czyszczenia.

Uwaga! Przed przystąpieniem do konserwacji elektronarzędzi zasilanych przewodem zasilającym/akumulatorami należy:

- ◆ Wyłączyć urządzenie i odłączyć wtyczkę od źródła zasilania.
- ◆ Lub wyłączyć urządzenie i wyjąć akumulatory, jeśli urządzenie wyposażone jest w osobne akumulatory.
- ◆ Jeśli akumulator jest zintegrowany, należy go całkowicie rozładować a następnie wyłączyć urządzenie.
- ◆ Przed czyszczeniem wyjąć wtyczkę ładowarki z gniazda zasilającego. Ładowarka nie wymaga, oprócz okresowego czyszczenia, żadnej dodatkowej konserwacji.
- ◆ Okresowo czyścić otwory wentylacyjne urządzenia i ładowarki za pomocą miękkiej szczoteczki lub wilgotnej ściereczki.
- ◆ Okresowo czyścić obudowę silnika za pomocą wilgotnej ściereczki. Nie wolno używać środków do szorowania ani na bazie rozpuszczalników.

Ochrona środowiska



Selektywna zbiórka odpadów. Opisywanego produktu nie wolno utylizować razem ze zwykłymi śmieciami z gospodarstw domowych.

Gdy okaże się, że konieczna jest wymiana posiadanego narzędzia Black & Decker lub nie będzie się go więcej używać, nie należy wyrzucać go razem ze śmieciami z gospodarstwa domowego. Należy przekazać produkt do punktu selektywnej zbiórki odpadów.



Selektywna zbiórka zużytych produktów i opakowań pozwala na powtórne wykorzystanie użytych materiałów. Powtórne użycie materiałów pomaga chronić środowisko naturalne przed zanieczyszczeniem i zmniejsza zapotrzebowanie na surowce.

Lokalne przepisy mogą zapewniać możliwość selektywnej zbiórki zużytych urządzeń elektrycznych z gospodarstw domowych na miejskich wysypiskach śmieci lub u sprzedawcy, w przypadku zakupu nowego urządzenia.

Black & Decker zapewnia możliwość zbiórki i recyklingu swoich produktów po zakończeniu okresu eksploatacji. Aby skorzystać z tej możliwości, prosimy zwrócić się do jednego z autoryzowanych przedstawicieli serwisowych, który odbierze je od Państwa w naszym imieniu.

Adres najbliższego autoryzowanego przedstawiciela serwisowego mogą Państwo otrzymać kontaktując się z miejscowym biurem Black & Decker, którego adres podany jest w tej instrukcji obsługi. Lista autoryzowanych przedstawicieli serwisowych Black & Decker oraz informacje na temat naszego serwisu posprzedażnego, dostępne są na stronie internetowej: www.2helpU.com

Dane techniczne

| | | GL280 TYP 2 | GL301 TYP 2 | GL315 TYP 3 |
|----------------------------|-------------------|----------------|----------------|----------------|
| Napięcie zasilania | V _{AC} | 230 | 230 | 230 |
| Pobór mocy | W | 300 | 300 | 320 |
| Prędkość bez obciążenia | min ⁻¹ | 10 000 | 10 000 | 10 000 |
| Waga | kg | 2,2 | 2,2 | 2,2 |

| | | GL337 TYP 2 | GL350 TYP 3 |
|----------------------------|-------------------|----------------|----------------|
| Napięcie zasilania | V _{AC} | 230 | 230 |
| Pobór mocy | W | 320 | 350 |
| Prędkość bez obciążenia | min ⁻¹ | 10 000 | 10 000 |
| Waga | kg | 2,2 | 2,2 |

Wibracje przenoszone na dłoń/ramię według normy EN 786:
= 4 m/s², niepewność (K) = 1,5 m/s²,

Deklaracja zgodności UE

DYREKTYWA MASZYNOWA
DYREKTYWA DOTYCZĄCA HAŁASU NA ZE-
WNĄTRZ



Firma Black & Decker oświadcza, że opisywane podkaszarki GL280/GL301/GL315/GL337/GL350 spełniają wymagania norm: 2006/42/EC, EN 60335-1, EN 60335-2-91

2000/14/EC, kosiarka do trawy, L ≤ 50 cm, załącznik VIII

KEMA Quality B.V., Utrechtseweg 310, 6802 ED
Arnhem, Holandia

Numer identyfikacyjny korpusu: 0344

Poziom mocy akustycznej zgodnie z 2000/14/EC (artykuł 12, załącznik III, L ≤ 50 cm):

L_{WA} (pomiar mocy akustycznej) 95 dB(A)
niepewność (K) = 3 dB(A)

L_{WA} (nominalny poziom mocy akustycznej)
96 dB(A)

niepewność (K) = 3 dB(A)

Produkty te są również zgodne z zapisami Dyrektywy 2004/108/EC. Aby otrzymać więcej informacji, należy skontaktować się z firmą Black & Decker pod adresem podanym poniżej lub na końcu instrukcji.

Osoba niżej podpisana jest odpowiedzialna za zestawienie informacji technicznych w imieniu firmy Black & Decker.

Kevin Hewitt

Vice-President Global Engineering
Black & Decker Europe, 210 Bath Road, Slough,
Berkshire, SL1 3YD
Wielka Brytania
31-03-2010

Zgłoszenie patentowe w Wielkiej Brytanii numer:
059745.6

Wzór przemysłowy Unii Europejskiej numer:
340385-0001 & 339544-0001

Black & Decker

Warunki gwarancji:

Gwarantujemy sprawne działanie produktu, zgodnie z warunkami techniczno-eksploatacyjnymi opisanymi w instrukcji obsługi. Niniejszą gwarancją nie jest objęte wyposażenie i inne akcesoria, jeżeli nie została do nich dołączona oddzielna karta gwarancyjna oraz elementy podlegające naturalnemu zużyciu.

1. Niniejszą gwarancją objęte są usterki produktu spowodowane wadami produkcyjnymi i wadami materiałowymi.
2. Niniejsza gwarancja jest ważna po przedstawieniu przez Klienta w Centralnym Serwisie Gwarancyjnym reklamowanego produktu oraz łącznie:
 - a) poprawnie wypełnionej karty gwarancyjnej;
 - b) ważnego paragonu zakupu z datą sprzedaży taką, jak w karcie gwarancyjnej lub kopii faktury.
3. Gwarancja obejmuje bezpłatną naprawę urządzenia (wraz z bezpłatną wymianą uszkodzonych części) w okresie 24 miesięcy od daty zakupu.
4. Produkt reklamowany musi być:
 - a) dostarczony bezpośrednio do Centralnego Serwisu Gwarancyjnego wraz z poprawnie wypełnioną Kartą Gwarancyjną i ważnym paragonem zakupu (lub kopią faktury) oraz szczegółowym opisem uszkodzenia, lub
 - b) przesłany do Centralnego Serwisu Gwarancyjnego za pośrednictwem punktu sprzedaży wraz z dokumentami wymienionymi powyżej.
5. Koszty wysyłki do Centralnego Serwisu Gwarancyjnego ponosi Black & Decker. Wszelkie koszty związane z zapewnieniem bezpiecznego opakowania, ubezpieczeniem i innym ryzykiem ponosi Klient. W przypadku odrzucenia roszczenia gwarancyjnego, produkt jest odsyłany do miejsca nadania na koszt adresata.
6. Usterki ujawnione w okresie gwarancji będą usunięte przez Centralny Serwis Gwarancyjny w terminie:
 - a) 14 dni roboczych od daty przyjęcia produktu przez Centralny Serwis Gwarancyjny;
 - b) termin usunięcia wady (punkt 6 a) może być wydłużony o czas niezbędny do importu niezbędnych części zamiennych;
7. Klient otrzyma nowy sprzęt, jeżeli:
 - a) Centralny Serwis Gwarancyjny stwierdzi na piśmie, że usunięcie wady jest niemożliwe;
 - b) produkt nie podlega naprawie, tylko wymianie bez dokonywania naprawy.
8. O ile taki sam produkt jest nieosiągalny, może być wydany nowy produkt o niegorszych parametrach.
9. Decyzja Centralnego Serwisu Gwarancyjnego odnośnie zasadności zgłaszanych usterek jest decyzją ostateczną.
10. Gwarancją nie są objęte:
 - a) wadliwe działanie lub uszkodzenia spowodowane niewłaściwym użytkowaniem lub używaniem produktu niezgodnie z przeznaczeniem, instrukcją obsługi lub przepisami bezpieczeństwa. W szczególności profesjonalne użytkowanie amatorskich narzędzi Black & Decker powoduje utratę gwarancji;
 - b) wadliwe działanie lub uszkodzenia spowodowane przeciążaniem narzędzia, które prowadzi do uszkodzeń silnika, przekładni lub innych elementów a także stosowaniem osprzętu innego niż zalecany przez Black & Decker;
 - c) mechaniczne uszkodzenia produktu i wywołane nimi wady;
 - d) wadliwe działanie lub uszkodzenia na skutek działania pożaru, powodzi, czy też innych klęsk żywiołowych, nieprzewidzianych wypadków, korozji, normalnego zużycia w eksploatacji czy też innych czynników zewnętrznych;
 - e) produkty, w których naruszone zostały plomby gwarancyjne lub, które były naprawiane poza Centralnym Serwisem Gwarancyjnym lub były przerabiane w jakikolwiek sposób;
 - f) osprzęt eksploatacyjny dołączony do urządzenia i inne elementy ulegające naturalnemu zużyciu.
11. Centralny Serwis Gwarancyjny, firmy handlowe, które sprzedały produkt, nie udzielają poważeń ani gwarancji innych niż określone w karcie gwarancyjnej. W szczególności nie obejmują prawa klienta do domagania się zwrotu utraconych zysków w związku z uszkodzeniem produktu.
12. Gwarancja nie wyłącza, nie ogranicza ani nie zawiesza uprawnień kupującego wynikających z niezgodności towaru z umową.

Centralny Serwis Gwarancyjny ERPATECH
ul. Obozowa 61, 01-418 Warszawa
tel.: (22) 862-08-08, fax: (22) 862-08-09

Použitie výrobku

Vaša strunová kosačka Black & Decker je určená na kosenie okrajov trávnikov a na kosenie trávy na zle prístupných miestach. Tento výrobok je určený len na spotrebiteľské použitie.

Bezpečnostné pokyny

Varovanie! Pri použití elektrického náradia napájaného káblom by mali byť vždy dodržiavané základné bezpečnostné pokyny, vrátane nasledujúcich, aby ste znížili riziko vzniku požiaru, riziko úrazu elektrickým prúdom alebo iného poranenia a materiálnych škôd.

- ♦ Pred použitím výrobku si pozorne prečítajte celý návod na obsluhu.
- ♦ Použitie tohto výrobku je popísané v tomto návode. Použitie iného príslušenstva alebo prídavného zariadenia a vykonávanie iných pracovných operácií než je odporučené v tomto návode môže zapríčiniť poranenie obsluhy.
- ♦ Tento návod uschovajte pre prípadné ďalšie použitie.

Použitie výrobku

Pri práci s týmto výrobkom buďte vždy opatrní.

- ♦ Vždy používajte ochranné okuliare alebo inú vhodnú ochranu zraku.
- ♦ Nikdy nedovoľte, aby s týmto výrobkom pracovali deti alebo osoby, ktoré nie sú oboznámené s týmito pokynmi.
- ♦ Nedovoľte deťom, ostatným osobám alebo zvieratám, aby sa dostali do blízkosti pracovného priestoru a aby sa dotýkali náradia alebo prívodného kábla.
- ♦ Ak sa nachádzajú deti pri používaní tohto výrobku v jeho blízkosti, musíte byť veľmi opatrní.
- ♦ Tento prístroj nie je určený na to, aby ho používala nedospelá alebo neskúsená osoba bez dozoru.
- ♦ Tento prístroj nesmie byť použitý ako hračka.
- ♦ Používajte tento výrobok iba cez deň alebo pri kvalitnom osvetlení.
- ♦ Používajte tento výrobok iba na suchých miestach. Zabráňte tomu, aby sa zariadenie dostalo do vlhkého prostredia.
- ♦ Neponárajte výrobok do vody.
- ♦ Nepokúšajte sa tento výrobok rozoberať. Vnútri prístroja sa nenachádzajú žiadne diely, ktoré môžu užívatelia opraviť sami.
- ♦ Nepracujte s týmto náradím vo výbušných priestoroch, ako sú napríklad priestory s výskytom horľavých kvapalín, plynov alebo prašných látok.

- ♦ Ak chcete znížiť riziko poškodenia zástrčky a prívodného kábla, nikdy neťahajte za kábel, aby ste vytiahli zástrčku zo zásuvky.

Bezpečnosť ostatných osôb

- ♦ Tento prístroj nie je určený na použitie osobami (vrátane detí) so zníženými fyzickými, zmyslovými alebo duševnými schopnosťami, alebo s nedostatkom skúseností a znalostí, pokiaľ tieto osoby nepracujú pod dohľadom, alebo pokiaľ im neboli poskytnuté inštrukcie týkajúce sa použitia prístroja osobou zodpovednou za ich bezpečnosť.
- ♦ Deti by mali byť pod dozorom, aby sa s náradím nehrali.

Zvyškové riziká

Ak sa náradie používa iným spôsobom, než je uvedené v priložených bezpečnostných varovaniach, môžu sa objaviť dodatočné zvyškové riziká. Tieto riziká môžu vzniknúť v dôsledku nesprávneho použitia, dlhodobého použitia atď.

Napriek tomu, že sa dodržiavajú príslušné bezpečnostné predpisy a používajú sa bezpečnostné zariadenia, určité zvyškové riziká sa nemôžu vylúčiť. Tieto riziká sú nasledujúce:

- ♦ **Zranenia spôsobené kontaktom s akoukoľvek rotujúcou alebo pohybujúcou sa časťou.**
- ♦ **Zranenia spôsobené pri výmene dielov, pracovného nástroja alebo príslušenstva.**
- ♦ **Zranenia spôsobené dlhodobým použitím náradia. Ak používate akékoľvek náradie dlhší čas, zaistite, aby sa robili pravidelné prestávky.**
- ♦ **Poškodenie sluchu.**
- ♦ **Zdravotné riziká spôsobené vdychovaním prachu vytváraného pri použití náradia (príklad: - práca s drevom, najmä s dubovým, bukovým a MDF).**

Po použití

- ♦ Ak sa výrobok nepoužíva, mal by byť uložený na suchom a dobre vetranom mieste, mimo dosahu detí.
- ♦ K uloženému prístroju nesmú mať prístup deti.
- ♦ Ak je prístroj uložený alebo prepravovaný v aute, mal by byť umiestnený v batožinovom priestore a mal by byť zaistený tak, aby pri náhlych zmenách rýchlosti alebo smeru jazdy nedochádzalo k jeho pohybu.

Prehliadky a opravy

- ♦ Vždy pred použitím skontrolujte, či nie je náradie poškodené alebo či nemá chybné časti.

Skontrolujte, či nie sú jeho časti rozbité a či nie sú poškodené vypínače alebo iné diely, ktoré by mohli ovplyvniť jeho prevádzku.

- ◆ Ak je akákoľvek časť náradia poškodená, nepoužívajte ho.
- ◆ Opravu alebo výmenu všetkých poškodených alebo nefunkčných častí náradia zverte autorizovanému servisu.
- ◆ Nikdy sa nepokúšajte demontovať alebo vymeniť iné diely než tie, ktoré sú uvedené v tomto návode.

Použitie predlžovacieho kábla

Vždy používajte schválený typ predlžovacieho kábla, ktorý je vhodný pre príkon tohto náradia (viď technické údaje). Predlžovací kábel musí byť vhodný na vonkajšie použitie a musí byť tiež tak označený. Môže sa použiť predlžovací kábel HO5V V-F s dĺžkou až 30 m a s prierezom vodiča 1,5 mm², bez toho, aby dochádzalo k výkonovým stratám pri práci s týmto náradím. Pred použitím predlžovací kábel riadne prehliadnite, či nie je poškodený alebo opotrebovaný. Ak je tento kábel poškodený, vymeňte ho. V prípade použitia navinovacieho kábla vždy odviňte celú dĺžku kábla.

Doplňujúce bezpečnostné pokyny pre strunové kosačky

Varovanie! Po vypnutí motora sa bude struna kosačky ešte chvíľu otáčať.

- ◆ Zoznámte sa riadne s ovládaním a správnym použitím náradia.
- ◆ Pred použitím prívodný kábel riadne prezrite, či nie je poškodený alebo opotrebovaný. Ak dôjde počas práce k poškodeniu prívodného kábla, okamžite náradie vypnite a odpojte od elektrickej zásuvky. **NEDOTÝKAJTE SA PRÍVODNÉHO KÁBLA PRED TÝM, NEŽ BUDE ODPOJENÝ.**
- ◆ Pokiaľ je prívodný kábel poškodený alebo opotrebovaný, náradie nepoužívajte.
- ◆ Obujte si pevné topánky alebo čižmy, aby boli Vaše chodidlá chránené.
- ◆ Oblečte si dlhé nohavice, aby boli chránené Vaše nohy.
- ◆ Pred použitím náradie skontrolujte, či je priestor, v ktorom budete kosiť zbavený vetvičiek, kameňov, drôtov a akýchkoľvek iných prekážok.
- ◆ Používajte náradie iba vo zvislej polohe so sekacou strunou tesne nad zemou. Nikdy nezapínajte náradie v inej polohe.
- ◆ Pri práci s náradím sa pohybujte pomaly. Uvedomte si, že je čerstvo nakosená tráva klzká a vlhká.

- ◆ Nepracujte na príkrych svahoch. Na svahoch pracujte po vrstevniciach, nikdy nie smerom hore a dole.
- ◆ Ak je náradie v chode, nikdy neprechádzajte cez štrkové chodníky alebo cesty.
- ◆ Nikdy sa nedotýkajte struny, pokiaľ je zariadenie v chode.
- ◆ Nekladte náradie na zem, pokým sa struna úplne nezastaví.
- ◆ Používajte zodpovedajúci typ reznej struny. Nikdy nepoužívajte kovové rezacie lanko alebo rybársky vlasec.
- ◆ Dajte pozor, aby ste sa nedotkli rezného ostria struny.
- ◆ Dávajte pozor, aby sa kábel nedostal do oblasti reznej struny. Stále sledujte polohu prívodného kábla.
- ◆ Ruky a nohy držte trvale mimo dosahu struny, a to najmä pri zapínaní motora.
- ◆ Pred použitím náradia a po každom náraze náradie skontrolujte, či nedošlo k jeho poškodeniu a či nie je nutné vykonať opravu.
- ◆ Nikdy nepoužívajte náradie s poškodenými krytmi alebo náradie bez riadne nasadených krytov.
- ◆ Dávajte pozor, aby ste sa nezranili o zariadenie, ktoré upravuje dĺžku struny. Po vysunutí novej struny náradie pred zapnutím vždy nastavte do jeho obvyklej pracovnej polohy.
- ◆ Vždy zaistite, aby vetracie otvory neboli zanesené nečistotami.
- ◆ Pokiaľ je prívodný napájací kábel poškodený alebo opotrebovaný, strunovú kosačku nepoužívajte.
- ◆ Dbajte na to, aby sa prívodný kábel nedostal do blízkosti struny.

Štítky na náradí

Na náradí je možné nájsť nasledujúce varovné symboly:



Pred začatím obsluhy si starostlivo preštudujte tento návod.



Pri práci s týmto náradím používajte ochranné okuliare.



Udržujte osoby a domáce zvieratá vo vzdialenosti aspoň 6 m od kosenej plochy.



Zariadenie nevystavujte dažďu alebo prostrediu s vysokou vlhkosťou.

Elektrická bezpečnosť



Toto náradie je chránené dvojistou izoláciou. Preto nie je nutné použitie zemniaceho vodiča. Vždy skontrolujte, či napätie v sieti zodpovedá napätiu na výkonovom štítku.

- ♦ Ak dôjde k poškodeniu prívodného kábla, musí sa vymeniť výrobcom alebo v autorizovanom servise Black & Decker, aby sa zabránilo spôsobeniu úrazu elektrickým prúdom.

Popis

Toto náradie sa skladá z niektorých alebo so všetkých nasledujúcich častí.

1. Hlavný vypínač
2. Rukoväť
3. Držiak kábla
4. Prívod napájania
5. Prídavná rukoväť
6. Trubica
7. Háčiky
8. Nastavovacie tlačidlo
9. Ochranný kryt
10. Rezné ostrie
11. Struna
12. Puzdro cievky
13. Vodidlo
14. Hlava

Montáž

Varovanie! Pred montážou sa uistite, či je náradie vypnuté a či je prívodný kábel odpojený zo zásuvky.

Prípojenie trubice k hlave stroja (obr. A)

- ♦ Zarovnajete pravouhlý výstupok na trubici (6) s miestom uloženia na hlave (14).
- ♦ Zasuňte trubicu do hlavy a stlačte ju tak, aby došlo k jej riadnemu usadeniu.

Prípojenie rukoväti k trubici (obr. B)

- ♦ Zarovnajete pravouhlý výstupok na trubici (6) s miestom uloženia v rukoväti (2).
- ♦ Zasuňte trubicu do rukoväti a stlačte ju tak, aby došlo k jej riadnemu usadeniu.

Nasadenie ochranného krytu (obr. C)

- ♦ Z hlavy vyskrutkujte skrutku (15).
- ♦ Nasadte kryt na náradie podľa postupu uvedenom na obrázku.
- ♦ Ochranný kryt (9) ľahko pritlačte, aby došlo k jeho riadnemu usadeniu.
- ♦ Ochranný kryt zaistíte skrutkou.

Varovanie! Nikdy nepoužívajte náradie bez riadne nasadeného krytu.

Uvoľnenie struny

Počas prepravy je rezacia struna k cievke prichytená páskou.

- ♦ Odstráňte pásku, ktorou je prichytená rezacia struna (11) ku krytu cievky (12).

Prípojenie náradia k elektrickej sieti (obr. D)

- ♦ Pripojte koncovku vhodného prívodného kábla k prívodu napájania (4).
- ♦ Zaveďte prívodný kábel na držiak kábla (3).
- ♦ Sieťovú zástrčku zasuňte do sieťovej zásuvky. Pre vedenie kábla: Pred pripojením zástrčky k elektrickej sieti sa uistite, či je kábel vedený držiakom kábla.

Varovanie! Predlžovací kábel musí byť vhodný na vonkajšie použitie.

Použitie

Varovanie! Nechajte náradie pracovať jeho vlastným tempom. Zamedzte preťažovaniu náradia.

Nastavenie režimu kosenia alebo zarezávania krajov (obr. E - G)

Náradie je možné prevádzkovať v režime kosenia, ako je znázornené na obr. F alebo v režime zarezávania krajov, na odstránenie zbytkov trávy pri okraji trávnikov a kvetinových záhonov, ako je znázornené na obr. G.

Režim kosenia (obr. E a F)

Pri kosení by mala byť hlava kosačky v polohe, ktorá je uvedená na obr. F. Ak to tak nie je:

- ♦ Stlačte nastavovacie tlačidlo (8).
- ♦ Otáčajte hlavou (14), zatiaľ čo uvoľníte tlačidlo.
- ♦ Keď sa hlava dostane na miesto, tlačidlo zaskočí.

Poznámka: Trubicou je možné otáčať iba jedným smerom.

Režim kosenia okrajov (obr. E a G)

Na kosenie okrajov trávnikov by mala byť hlava kosačky v polohe, ktorá je zobrazená na obr. G. Ak to tak nie je:

- ♦ Stlačte nastavovacie tlačidlo (8).
- ♦ Otáčajte hlavou (14), zatiaľ čo uvoľníte tlačidlo.
- ♦ Keď sa hlava dostane na miesto, tlačidlo zaskočí.

Poznámka: Trubicou je možné otáčať iba jedným smerom.

Zapnutie a vypnutie

- ♦ Ak chcete náradie zapnúť, stlačte hlavný vypínač (1).
- ♦ Ak chcete náradie vypnúť, uvoľníte vypínač.

Varovanie! Nikdy sa nepokúšajte zaistiť vypínač v zapnutej polohe.

Užitočné rady pre prácu s náradím

Všeobecne

- ♦ Ak chcete dosiahnuť optimálne výsledky, koste iba suchú trávu.

Kosenie trávnatých plôch

- ♦ Držte náradie ako na obr. F.
- ♦ Miernie pootočte kosačkou z boka na bok.
- ♦ Ak kosíte vysokú trávu, pracujte po častiach zhora nadol. Trávu koste po krátkych kúskoch.
- ♦ Udržujte náradie mimo dosah tvrdých predmetov a iných porastov.
- ♦ Ak náradie spomalí chod, znížte jeho zaťaženie.

Kosenie okrajov trávnikov

Optimálne výsledky pri kosení okrajov trávnikov sa dosiahne na okrajoch, ktoré sú hlbšie než 50 mm.

- ♦ Nepoužívajte náradie na vytváranie lemov. Na vytváranie hrán používajte rycie náradie.
- ♦ Držte náradie ako na obr. G.
- ♦ Pri kosení tesne nad zemou náradie zľahka nakloňte.

Montáž novej cievky so strunou (obr. H - J)

Cievka s jednoduchou rezacou strunou (obr. H)
Náhradné cievky so strunou získate u autorizovaného predajcu Black & Decker (kat. č. A6481).

- ♦ Držte stlačené príchytky (16) a vyberte z puzdra (12) kryt cievky (17).
- ♦ Vyberte z puzdra prázdnu cievku (18).
- ♦ Z uzáveru cievky a krytu odstráňte zachytené nečistoty a zvyšky trávy.
- ♦ Z novej cievky odviňte zhruba 9 cm struny.
- ♦ Strunu prevlečte okom (19).
- ♦ Cievku zatlačte do puzdra na hnací hriadeľ (20) a pootočte ju tak, aby zapadla na miesto. Uistite sa, či nie je struna pod cievkou zakliesnená a či vyčnieva z puzdra 9 cm.
- ♦ Zarovnajte príchytky na kryte cievky s otvormi na puzdre.
- ♦ Zatlačte kryt na puzdro cievky tak, aby došlo k jeho riadnemu osadeniu.

Varovanie! Ak bude struna vyčnievať cez odrezávací nôž (10), odrežte ju tak, aby zasahovala iba k ostriu odrezávacieho noža struny.

Cievka s dvoma strunami (obr. I a J)

Náhradné cievky so strunou získate u autorizovaného predajcu Black & Decker (kat. č. A6441). Kompletné kazety obsahujúce cievku s rezacou strunou sú taktiež k dispozícii (kat. č. A6488).

- ♦ Držte stlačené príchytky (21) a vyberte z puzdra (12) kryt cievky (22).

- ♦ Vyberte prázdnu cievku (23).
- ♦ Z uzáveru cievky a krytu odstráňte zachytené nečistoty a zvyšky trávy.
- ♦ Vezmite novú cievku a nasuňte ju na výčnelok na kryte cievky. Ľahko cievkou pootočte, aby došlo k jej riadnemu usadeniu.
- ♦ Uvoľnite koniec jednej zo strún a prevlečte ju jedným z ok (24). Struna by mala vyčnievať približne 9 cm z krytu cievky.
- ♦ Uvoľnite koniec druhej struny a prevlečte ju druhým očkom. Struna by mala vyčnievať približne 9 cm z krytu cievky.
- ♦ Zarovnajte príchytky (21) na kryte cievky s výrezmi na puzdre (25).
- ♦ Zatlačte kryt na puzdro cievky tak, aby došlo k jeho riadnemu osadeniu.

Varovanie! Ak budú rezacie struny vyčnievať cez odrezávací nôž (10), odrežte ich tak, aby zasahovali iba k ostriu odrezávacieho noža struny.

Navinutie novej struny na prázdnu cievku (obr. K - O)

Na prázdnu cievku môžete navinúť novú rezaciu strunu.

Cievka s jednoduchou rezacou strunou (obr. K a L)

Náhradné balíčky so strunou dostanete u Vášho dodávateľa Black & Decker (kat. č. A6170 (25 m), A6171 (40 m)).

- ♦ Vyššie popísaným spôsobom vyberte prázdnu cievku z náradia.
- ♦ Z cievky odmotajte zvyšok struny.
- ♦ Jedným z otvorov cievky (26) prevlečte 2 cm struny ako je uvedené na obrázku.
- ♦ Zahňte koniec struny a zaistite ju v štrbine tvaru L (27).
- ♦ Naviňte strunu na cievku v smere označenom šípkou (28). Dajte pozor, aby bola struna navinutá na cievku úhľadne vo vrstvách. Neprekrižujte ju.
- ♦ Pokiaľ navíjaná struna dosiahne po výrezy (29), odstrihnite ju. Strunu ponechajte vyčnievať približne 9 cm od cievky a prstom ju pridržte na mieste.
- ♦ Navinutú cievku vložte do náradia vyššie popísaným spôsobom.

Varovanie! Používajte iba vhodnú strunu Black & Decker.

Cievka s dvoma rezacími strunami (obr. M - O)
Náhradné cievky so strunou získate u autorizovaného predajcu Black & Decker (kat. č. A6440).

- ♦ Vyššie popísaným spôsobom vyberte prázdnu cievku z náradia.

- ◆ Z cievky odmotajte zvyšok struny.
- ◆ Najprv navíňte novú strunu na vrchnú časť cievky:
 - Založte 2 cm rezacej struny do jednej zo štrbín (30) v hornej časti cievky podľa obrázku.
 - Navíňte strunu na cievku v smere označenom šípku (31). Dajte pozor, aby bola struna navinutá na cievku úhľadne vo vrstvách. Neprekrižujte ju.
 - Pokiaľ navíjaná struna dosiahne po výrezy (32), odstrihnite ju.
 - Uložte strunu dočasne v zárezoch (33) na jednej strane cievky tak, ako je znázornené na obrázku.
- ◆ Opakujte vyššie popísaný postup pre druhú rezáciu struny v spodnej časti cievky. Strunu uložte vo voľných zárezoch (33).
- ◆ Navinutú cievku vložte do náradia vyššie popísaným spôsobom. Nezapomnite uvoľniť strunu zo zárezov (33).

Varovanie! Používajte iba vhodnú strunu Black & Decker. Zaisťte, aby bola struna v oboch častiach cievky.

Riešenie problémov

Ak Vaše náradie nepracuje správne, postupujte podľa krokov uvedených ďalej. Ak nebude porucha odstránená, spojte sa s Vaším servisným zástupcom Black & Decker.

Varovanie! Pred tým, ako budete pokračovať, odpojte náradie od elektrickej siete.

Náradie pracuje v nízkych otáčkach

- ◆ Skontrolujte, či sa puzdro cievky voľne otáča. Ak to je nutné, opatrne ho očistite.
- ◆ Skontrolujte, či rezná struna nevyčnieva viac ako 11 cm z puzdra cievky. Ak áno, odrežte ju tak, aby zasahovala len k ostriu struny.

Automatický posuv struny nepracuje

- ◆ Držte stlačené prchytky a vyberte cievku z puzdra.
- ◆ Povyťahnite strunu tak, aby vyčnievala z puzdra cievky zhruba 11 cm. Pokiaľ už nie je dostatočujúca dĺžka struny k dispozícii, vložte podľa vyššie uvedených pokynov do náradia novú cievku so strunou.
- ◆ Zarovnaj te výstupky na kryte cievky s otvormi v puzdre cievky.
- ◆ Zatlačte kryt na puzdro cievky tak, aby došlo k jeho riadnemu osadeniu.
- ◆ Ak struna presahuje cez nôž, odrežte ju tak, aby zasahovala len k ostriu noža struny.

Ak automatický posuv struny stále nepracuje alebo ak je cievka zablokovaná, skúste nasledujúce:

- ◆ Starostlivo očistite puzdro a kryt cievky.
- ◆ Vyberte cievku a skontrolujte, či sa páčky môžu voľne pohybovať.
- ◆ Vyberte cievku a odviňte strunu. Potom ju vyššie popísaným spôsobom navíňte úhľadne späť. Vložte cievku späť podľa vyššie uvedeného postupu.

Údržba

Váš výrobok Black & Decker napájaný akumulátorom / prívodným káblom bol navrhnutý tak, aby mal dlhú životnosť spoločne s minimálnymi nárokmi na údržbu. Pravidelná starostlivosť o prístroj a jeho pravidelné čistenie Vám zaistia jeho bezproblémovú prevádzku.

Varovanie! Pred začiatkom akejkoľvek údržby tohto prístroja berte na vedomie nasledovné upozornenia.

- ◆ Vypnite náradie a odpojte prívodný kábel od siete.
- ◆ Alebo v prípade, ak je prístroj vybavený snímateľným akumulátorom, vypnite ho a vyberte akumulátor.
- ◆ Alebo ak sa nedá akumulátor z náradia vybrať, nechajte náradie v chode, pokiaľ nedôjde k jeho úplnému vybitiu a potom náradie vypnite.
- ◆ Pred čistením odpojte nabíjačku vždy od siete. Vaša nabíjačka nevyžaduje žiadnu údržbu okrem pravidelného čistenia.
- ◆ Vetracie otvory Vášho prístroja pravidelne čistite mäkkou kefkou alebo suchou handričkou.
- ◆ **Pomocou vlhkej handričky pravidelne čistite kryt motora.** Nepoužívajte žiadne brúsne alebo rozpúšťacie čistiace prostriedky.

Ochrana životného prostredia



Triedený odpad. Tento prístroj nesmie byť vyhodený do bežného domáceho odpadu.

Jedného dňa zistíte, že Váš výrobok Black & Decker musíte vymeniť alebo ho už nebudete ďalej používať. V tomto prípade myslíte na ochranu životného prostredia a nevyhadzujte prístroj do domáceho odpadu. Zlikvidujte tento výrobok v triedenom odpade.



Triedený odpad umožňuje recykláciu a opätovné využitie použitých výrobkov a obalových materiálov. Opätovné použitie recyklovaných materiálov pomáha chrániť životné prostredie pred znečistením a znižuje spotrebu surovín.

Miestne zberne odpadov, recyklačné stanice alebo predajne Vám poskytnú informácie o správnej likvidácii elektroodpadov z domácnosti.

Firma Black & Decker poskytuje službu bezplatnej recyklácie výrobkov Black & Decker a akumulátorov po skončení ich životnosti. Ak chcete získať výhody tejto služby, odovzdajte, prosím, Vaše náradie akémukoľvek autorizovanému zástupcovi servisu Black & Decker, ktorý náradie odoberie a zaistí jeho recykláciu.

Miesto Vášho najbližšieho autorizovaného servisu Black & Decker sa dozviete na adrese uvedenej na zadnej strane tohto návodu. Zoznam servisných stredísk Black & Decker a podrobnosti o popredajnom servise nájdete taktiež na internetovej adrese: **www.2helpU.com**

Technické údaje

| | | GL280 TYP 2 | GL301 TYP 2 | GL315 TYP 3 |
|------------------|-------------------|----------------|----------------|----------------|
| Napätie | V | 230 | 230 | 230 |
| Príkon | W | 300 | 300 | 320 |
| Otáčky naprázdno | min ⁻¹ | 10 000 | 10 000 | 10 000 |
| Hmotnosť | kg | 2,2 | 2,2 | 2,2 |

| | | GL337 TYP 2 | GL350 TYP 3 |
|------------------|-------------------|----------------|----------------|
| Napätie | V | 230 | 230 |
| Príkon | W | 320 | 350 |
| Otáčky naprázdno | min ⁻¹ | 10 000 | 10 000 |
| Hmotnosť | kg | 2,2 | 2,2 |

Vibrácie pôsobiace na ruky a paže obsluhy merané podľa normy EN 786:
= 4 m/s², odchýlka (K) = 1,5 m/s²,

ES Vyhlásenie o zhode v rámci EÚ

NARIADENIE PRE STROJOVÉ ZARIADENIA
NARIADENIA TÝKAJÚCE SA VONKAJŠIEHO
HLUKU



GL280/GL301/GL315/GL337/GL350

Spoločnosť Black & Decker prehlasuje, že produkty popísané v technických údajoch spĺňajú požiadavky nasledujúcich noriem: 2006/42/EC, EN 60335-1, EN 60335-2-91.

2000/14/EC, Kosačka trávnikov, L ≤ 50 cm, príloha VIII

KEMA Quality B.V., Utrechtseweg 310, 6802 ED Arnhem, The Netherlands

Úradne stanovený orgán id. č.: 0344

Úroveň akustického výkonu podľa normy 2000/14/EC (článok 12, príloha III, L ≤ 50 cm):
L_{WA} (meraný akustický výkon) 95 dB(A)

odchýlka (K) = 3 dB(A)

L_{WA} (zaručený akustický výkon) 96 dB(A)

odchýlka (K) = 3 dB(A)

Tieto výrobky spĺňajú tiež požiadavky smernice 2004/108/EC. Ak chcete získať ďalšie informácie, kontaktujte prosím spoločnosť Black & Decker na nasledujúcej adrese alebo na adresách, ktoré sú uvedené na konci tohto návodu.

Nižšie podpísaná osoba je zodpovedná za zostavenie technických údajov a vydáva toto prehlásenie v zastúpení spoločnosti Black & Decker.

Kevin Hewitt

Viceprezident pre spotrebiteľskú techniku
Black & Decker Europe, 210 Bath Road, Slough,
Berkshire, SL1 3YD
United Kingdom
31-03-2010

Aplikačné číslo patentu pre UK: 059745.6

Použitie patenty EU 340385-0001 a 339544-0001

Záruka

Spoločnosť Black & Decker dôveruje kvalite svojho vlastného náradia a poskytuje kupujúcemu mimoriadnu záruku. Táto záruka je nadštandardná a v žiadnom prípade nepoškodzuje Vaše zákonné práva. Táto záruka platí vo všetkých členských štátoch EÚ a Európskej zóny voľného obchodu EFTA.

Ak sa na výrobku Black & Decker objavia, v priebehu 24 mesiacov od zakúpenia, akékoľvek materiálové či výrobné chyby, garantujeme, v snahe o minimalizovanie Vašich starostí, bezplatnú výmenu chybných dielcov, opravu alebo výmenu celého výrobku za nižšie uvedených podmienok:

- ◆ Výrobok nebol používaný na obchodné alebo profesionálne účely a nedochádzalo k jeho prenájmu.
- ◆ Výrobok nebol vystavený nesprávnemu použitiu a nebola zanedbaná jeho predpísaná údržba.
- ◆ Výrobok nebol poškodený cudzím zavinením.
- ◆ Neboli vykonávané opravy výrobku inými osobami než pracovníkmi značkového servisu Black & Decker.

Pri uplatňovaní reklamácie je nutné predajcovi alebo servisnému stredisku predložiť doklad o nákupe výrobku. Miesto Vašej najbližšej autorizovanej servisnej pobočky Black & Decker sa dozviete

na príslušnej adrese uvedenej na zadnej strane tejto príručky. Zoznam autorizovaných servisov Black & Decker a podrobnosti o popredajnom servise nájdete tiež na internetovej adrese:

www.2helpU.com

Navštívte našu internetovú adresu

www.blackanddecker.sk a zaregistrujte si Váš výrobok Black & Decker. Budete tak mať neustále prehľad o nových výrobkoch a špeciálnych ponukách. Ďalšie informácie o značke Black & Decker a o našom výrobnom programe získate na internetovej adrese **www.blackanddecker.sk**

Назначение

Ваша кордовая газонокосилка Black & Decker предназначена для скашивания травы, обработки краев газона, а также для стрижки травы в труднодоступных местах. Данный инструмент предназначен только для бытового использования.

Правила безопасности

Внимание! При использовании электрических инструментов соблюдение правил по технике безопасности и следование данным инструкциям позволит снизить вероятность возникновения пожара, поражения электрическим током, получения травм и повреждения личного имущества.

- ◆ Перед использованием инструмента внимательно прочтите данное руководство по эксплуатации.
- ◆ Назначение инструмента описывается в данном руководстве по эксплуатации. Использование любых принадлежностей или приспособлений, а также выполнение данным инструментом любых видов работ, не рекомендованных данным руководством по эксплуатации, может привести к несчастному случаю.
- ◆ Сохраните данное руководство для последующего обращения к нему.

Использование инструмента

Всегда соблюдайте осторожность при работе с данным инструментом.

- ◆ Всегда работайте в защитных очках или маске.
- ◆ Не допускайте детей и любых лиц, не знакомых с данными правилами техники безопасности, к работе электроинструментом.
- ◆ Не позволяйте детям или животным находиться в рабочей зоне, дотрагиваться до инструмента или до электрического кабеля.
- ◆ Будьте особенно внимательны при использовании электроинструмента в присутствии детей.
- ◆ Не позволяйте пользоваться электроинструментом детям или инвалидам без присмотра.
- ◆ Не используйте данный электроинструмент в качестве игрушки.
- ◆ Используйте данный электроинструмент только при дневном свете или при ярком искусственном освещении.

- ◆ Используйте электроинструмент только в сухих местах. Не подвергайте электроинструмент воздействию влаги.
- ◆ Не погружайте инструмент в воду.
- ◆ Не разбирайте корпус электроинструмента. Внутри нет обслуживаемых пользователем деталей.
- ◆ Не используйте инструмент, если есть опасность возгорания или взрыва, например, вблизи легко воспламеняющихся жидкостей, газов или пыли.
- ◆ Во избежание риска повреждения штепселей и электрических кабелей, никогда не тяните за кабель, чтобы отключить инструмент от штепсельной розетки.

Безопасность посторонних лиц

- ◆ Использование инструмента физически или умственно неполноценными людьми, а также детьми и неопытными лицами допускается только под контролем ответственного за их безопасность лица.
- ◆ Не позволяйте детям играть с электроинструментом.

Остаточные риски

При работе с данным инструментом возможно возникновение дополнительных остаточных рисков, которые не вошли в описанные здесь правила техники безопасности. Эти риски могут возникнуть при неправильном или продолжительном использовании изделия и т.п.

Несмотря на соблюдение соответствующих инструкций по технике безопасности и использование предохранительных устройств, некоторые остаточные риски невозможно полностью исключить. К ним относятся:

- ◆ Травмы в результате касания вращающихся/двигающихся частей инструмента.
- ◆ Риск получения травмы во время смены деталей электроинструмента, пильных дисков или насадок.
- ◆ Риск получения травмы, связанный с продолжительным использованием инструмента. При использовании инструмента в течение продолжительного периода времени делайте регулярные перерывы в работе.
- ◆ Ухудшение слуха.
- ◆ Ущерб здоровью в результате вдыхания пыли в процессе работы с электроинструментом (например, при распиле древесины, в особенности, дуба, бука и ДВП).

После использования

- ◆ Храните не используемый инструмент в сухом, хорошо вентилируемом месте, недоступном для детей.
- ◆ Дети не должны иметь доступ к убранному на хранение инструментам.
- ◆ Во время хранения или перевозки инструмента в автомобиле, помещайте его в багажник или закрепляйте, чтобы исключить его перемещение при резком изменении скорости или направления движения.

Осмотр и ремонт

- ◆ Перед началом эксплуатации, всегда проверяйте исправность инструмента. Проверьте целостность деталей и любых других элементов электроинструмента, воздействующих на его работу.
- ◆ Не используйте инструмент, если повреждена или неисправна какая-либо его деталь.
- ◆ Ремонтируйте или заменяйте поврежденные или неисправные детали только в авторизованном сервисном центре Black & Decker.
- ◆ Ни в коем случае не снимайте и не заменяйте детали, за исключением деталей, указанных в данном руководстве по эксплуатации.

Использование удлинительного кабеля

Всегда используйте удлинительные кабели установленного образца, соответствующие входной мощности данного электроинструмента (см. раздел «Технические характеристики»). Удлинительный кабель должен быть пригоден для использования на открытом воздухе и иметь соответствующую маркировку. Использование удлинительного кабеля HO5VV-F длиной до 30 м и диаметром в поперечном сечении 1.5 мм² не снизит производительность электроинструмента. Перед использованием проверьте удлинительный кабель на наличие признаков повреждения, старения и износа. В случае обнаружения повреждений удлинительный кабель подлежит замене. При использовании кабельного барабана, всегда полностью разматывайте кабель.

Дополнительные правила безопасности при работе газонокосилками

Внимание! После выключения электродвигателя, режущий механизм некоторое время вращается по инерции.

- ◆ Изучите все средства управления инструментом и используйте его по назначению.
- ◆ Перед использованием инструмента внимательно проверьте сетевой и удлинительный кабели на отсутствие повреждений и старения и износа. В случае повреждения кабеля во время работы, немедленно выньте его вилку из штепсельной розетки. **НЕ ПРИКАСАЙТЕСЬ К КАБЕЛЮ, ПОКА ОН НЕ БУДЕТ ОТСОЕДИНЕН ОТ ЭЛЕКТРОСЕТИ.**
- ◆ Не используйте инструмент, если его кабели повреждены или изношены.
- ◆ Используйте для защиты Ваших ног крепкие, нескользящие ботинки или сапоги.
- ◆ Используйте для защиты Ваших ног длинные, прочные брюки.
- ◆ Перед началом работы убедитесь, что в рабочей зоне нет палок, камней, проволоки и других предметов.
- ◆ Используйте газонокосилку только в вертикальном положении, с режущей леской возле поверхности земли. Ни в коем случае не включайте газонокосилку, если она находится в любом другом положении!
- ◆ Передвигайтесь во время работы с газонокосилкой только в медленном темпе. Помните, что свежескошенная трава влажная и скользкая.
- ◆ Не работайте на крутых склонах. Стригите траву поперек уклона, ни в коем случае не сверху вниз!
- ◆ Ни в коем случае не пересекайте гравийные тропинки и дорожки при работающей газонокосилке!
- ◆ Ни в коем случае не касайтесь режущей лески при работающей газонокосилке!
- ◆ Не кладите на землю газонокосилку до момента, пока режущая леска полностью не остановится.
- ◆ Используйте режущую леску, рекомендованную изготовителем газонокосилки. Ни в коем случае не используйте металлические режущие нити или рыболовную леску!
- ◆ Будьте внимательны, чтобы случайно не коснуться отсекаателя режущей лески!
- ◆ Направляйте электрический кабель в сторону от режущей лески. Постоянно следите за положением кабеля.
- ◆ Следите, чтобы Ваши руки и ноги постоянно находились на безопасном расстоянии от режущего механизма, особенно при включении электродвигателя.
- ◆ Перед использованием инструмента и по окончании работы проверяйте его на наличие признаков старения или повреждений;

в случае необходимости сдайте инструмент в ремонт. Ни в коем случае не используйте газонокосилку с поврежденными защитными кожухами, а также без установленных защитных кожухов.

- ◆ Будьте осторожны при работе с любыми инструментами, оснащенными режущей леской; невнимательность может привести к получению травмы. После того, как будет вытянута новая режущая леска, верните инструмент в его нормальное рабочее положение и только тогда включайте инструмент.
- ◆ Следите, чтобы вентиляционные прорези электродвигателя всегда оставались открытыми и чистыми.
- ◆ Не используйте газонокосилку, если кабели повреждены или изношены.
- ◆ Направляйте удлинительный кабель в сторону от режущего корда.

Маркировка инструмента

На инструменте имеются следующие знаки:



Перед работой прочтите полностью данное руководство по эксплуатации.



При работе с данным электроинструментом наденьте защитные очки или маску.



Не подпускайте посторонних людей и животных к работающему электроинструменту ближе, чем на 6 м.



Не используйте инструмент под дождем или во влажной среде.

Электробезопасность



Данный электроинструмент защищен двойной изоляцией, исключающей потребность в заземляющем проводе. Следите за напряжением электрической сети, оно должно соответствовать величине, обозначенной на информационной табличке электроинструмента.

- ◆ Во избежание несчастного случая, замена поврежденного кабеля питания должна производиться только на заводе-изготовителе или в авторизованном сервисном центре Black & Decker.

Составные части

Ваш электроинструмент может содержать все или некоторые из перечисленных ниже составных частей:

1. Клавиша пускового выключателя
2. Основная рукоятка
3. Кабельный зажим
4. Соединительный элемент входа электропитания
5. Вспомогательная рукоятка
6. Штанга
7. Держатель кабеля
8. Клавиша фиксатора
9. Защитный кожух
10. Отсекатель режущей лески
11. Режущая леска
12. Корпус катушки
13. Направляющий упор
14. Головка

Сборка

Внимание! Перед началом сборки убедитесь, что электроинструмент выключен и отсоединен от электросети.

Установка штанги в головке (Рис. А)

- ◆ Совместите прямоугольный шлиц штанги (6) с пазом в головке (14).
- ◆ Вдвиньте штангу в головку до ощущаемой фиксации.

Установка рукоятки на штангу (Рис. В)

- ◆ Совместите квадратный шлиц штанги (6) с пазом рукоятки (14).
- ◆ Вдвиньте штангу в рукоятку до ощущаемой фиксации.

Установка защитного кожуха (Рис. С)

- ◆ Отвинтите винт (15) от головки.
- ◆ Установите защитный кожух, как показано на рисунке.
- ◆ Нажмите на защитный кожух (9), до ощущаемой фиксации.
- ◆ Закрепите защитный кожух винтом.

Внимание! Используйте газонокосилку только с правильно установленным защитным кожухом.

Подготовка режущей лески

При поставке режущая леска прикреплена к корпусу катушки клейкой лентой.

- ◆ Удалите клейкую ленту, которой режущая леска (11) прикреплена к корпусу катушки (12).

Подключение газонокосилки к электросети (Рис. D)

- ◆ Вставьте штепсельную розетку подходящего удлинительного кабеля в соединительный элемент (4) силового входа газонокосилки.

- ◆ Направьте удлинительный кабель через кабельный зажим (3).
- ◆ Вставьте вилку удлинительного кабеля в штепсельную розетку электросети.

Для исключения случайного разъединения штепсельного разъема под воздействием растягивающего усилия, каждый раз перед подключением электроинструмента к штепсельной розетке проследите, чтобы удлинительный кабель проходил через кабельный зажим.

Внимание! Удлинительный кабель должен быть пригоден для эксплуатации на открытом воздухе.

Эксплуатация

Внимание! Не форсируйте рабочий процесс. Избегайте перегрузки электроинструмента.

Настройка газонокосилки на стрижку газона или выравнивание кромок (Рис. Е - G)

Данную газонокосилку можно использовать для стрижки газона, как показано на Рис. F, а также для выравнивания кромок (обрезки выступающей травы вдоль кромок газона и цветочных клумб), как показано на Рис. G.

Режим стрижки (Рис. Е и F)

При стрижке, головка газонокосилки должна находиться в положении, показанном на Рис. F. Если это не так, поступите следующим образом:

- ◆ Нажмите клавишу фиксатора (8).
- ◆ Поворачивайте головку (14), отпустив клавишу фиксатора.
- ◆ Когда головка станет на свое место, сработает фиксатор.

Примечание: Штанга может поворачиваться только в одну сторону.

Режим выравнивания кромок (Рис. Е и G)

При выравнивании кромок головка газонокосилки должна находиться в положении, показанном на Рис. G. Если это не так, поступите следующим образом:

- ◆ Нажмите клавишу фиксатора (8).
- ◆ Поворачивайте головку (14), отпустив клавишу фиксатора.
- ◆ Когда головка станет на свое место, сработает фиксатор.

Примечание: Штанга может поворачиваться только в одну сторону.

Включение и выключение

- ◆ Чтобы включить инструмент, нажмите на клавишу пускового выключателя (1).
- ◆ Чтобы выключить инструмент, отпустите клавишу пускового выключателя.

Внимание! Ни в коем случае не пытайтесь заблокировать клавишу пускового выключателя во включенном положении!

Рекомендации по оптимальному использованию

Общие требования

- ◆ Для достижения наилучших результатов, стригите только сухую траву.

Стрижка

- ◆ Держите газонокосилку, как показано на рис. F.
- ◆ Равномерно покачивайте газонокосилку из стороны в сторону.
- ◆ Высокую траву стригите постепенно, начиная сверху. Стригите небольшими слоями.
- ◆ Избегайте контакта газонокосилки с твердыми предметами и нежными растениями.
- ◆ Если режущий механизм начинает вращаться медленнее, уменьшите нагрузку.

Выравнивание кромок

Наилучшие результаты достигаются при высоте кромок 50 и более миллиметров.

- ◆ Не используйте газонокосилку для формирования новых кромок. Для создания новых кромок используйте специально предназначенную для этого лопатку.
- ◆ Управляйте газонокосилкой, как показано на рис. G.
- ◆ Для получения более короткого среза, немного наклоняйте газонокосилку.

Установка новой катушки с режущей леской (Рис. H - J)

Катушка с одинарной режущей леской (Рис. H)
Новые катушки с режущей леской можно приобрести у Вашего дилера Black & Decker (№ для заказа A6481).

- ◆ Удерживая язычки (16) нажатыми, снимите крышку (17) с корпуса катушки (12).
- ◆ Извлеките пустую катушку (18) из корпуса.
- ◆ Удалите всю грязь и обрезки травы с крышки катушки и из корпуса.
- ◆ Отмотайте от новой катушки приблизительно 9 см режущей лески.
- ◆ Направьте режущую леску через отверстие (19).
- ◆ Наденьте новую катушку на стержень (20) корпуса и слегка поверните катушку, до осязаемой фиксации. Убедитесь, что режущая леска на катушке не запутана, и что она выступает из корпуса на 9 см.

- ♦ Совместите язычки крышки с вырезами в корпусе катушки.
- ♦ Надавите на крышку и прижмите ее к корпусу, пока она не встанет на свое место.

Внимание! Если режущая леска выступает за отсекабель (10), укоротите леску, чтобы она доходила только до отсекаателя.

Катушка с двойной режущей леской (Рис. I и J)

Новые катушки с режущей леской можно приобрести у Вашего дилера Black & Decker (№ для заказа А6441). Также можно приобрести комплект кассет, содержащих катушку с леской (№ для заказа А6488).

- ♦ Удерживая язычки (21) нажатыми, снимите крышку (22) с корпуса катушки (12).
- ♦ Извлеките пустую катушку (23) из крышки.
- ♦ Удалите всю грязь и обрезки травы с крышки катушки и из корпуса.
- ♦ Наденьте новую катушку на стержень крышки. Слегка поверните катушку, до ощущаемой фиксации.
- ♦ Концевую часть одной из режущих лесок направьте в одну из проушин (24). Леска должна выступать из крышки приблизительно на 9 см.
- ♦ Концевую часть второй режущей лески направьте в другую проушину. Леска должна выступать из крышки приблизительно на 9 см.
- ♦ Совместите язычки (21) крышки катушки с вырезами (25) в корпусе.
- ♦ Надавите на крышку и прижмите ее к корпусу, пока она не встанет на свое место.

Внимание! Если режущие лески выступают за отсекабель (10), укоротите лески, чтобы они доходили только до отсекаателя.

Наматывание новой режущей лески на пустую катушку (Рис. К - О)

Вы можете намотать на пустую катушку новую режущую леску.

Катушка с одинарной режущей леской (Рис. К и L)

Мотки режущей лески можно приобрести у Вашего дилера Black & Decker (№ для заказа А6170 (25 м) и А6171 (40 м)).

- ♦ Извлеките пустую катушку из инструмента, как было описано выше.
- ♦ Удалите с катушки всю оставшуюся леску.
- ♦ Направьте 2 см режущей лески в одно из отверстий (26) катушки, как показано на рисунке.

♦ Перегните режущую леску и закрепите ее в прорези (27) L-образной формы.

♦ Наматывайте режущую леску на катушку в направлении указательной стрелки (28). Следите, чтобы режущая леска наматывалась ровными, аккуратными слоями. Не наматывайте леску крест-накрест!

♦ По достижении намотанной леской выреза (29), обрежьте леску. Отмотайте приблизительно 9 см режущей лески и удерживайте ее пальцем в этом положении.

♦ Установите катушку на инструмент, как было описано выше.

Внимание! Используйте только оригинальную режущую леску Black & Decker.

Катушка с двойной режущей леской (Рис. М-О)

Мотки режущей лески можно приобрести у Вашего дилера Black & Decker (№ для заказа А6440).

♦ Извлеките пустую катушку из инструмента, как было описано выше.

♦ Удалите с катушки всю оставшуюся леску.

♦ Наматывайте новую режущую леску сначала на верхнюю часть катушки:

– Направьте 2 см режущей лески в одно из отверстий (30) в верхней части катушки, как показано на рисунке.

– Наматывайте режущую леску на катушку в направлении указательной стрелки (31). Следите, чтобы режущая леска наматывалась ровными, аккуратными слоями. Не наматывайте леску крест-накрест!

– По достижении намотанной леской выреза (32), обрежьте леску.

– Временно закрепите режущую леску в прорезях (33) в боковой части катушки, как показано на рисунке.

♦ Повторите описанную выше процедуру для второй режущей лески на нижней части катушки. Закрепите леску в не использованных прорезях (33).

♦ Установите катушку на инструмент, как было описано выше. Не забудьте извлечь режущую леску из прорезей (33).

Внимание! Используйте только оригинальную режущую леску Black & Decker. Убедитесь, что режущая леска намотана на обе части катушки.

Возможные неисправности и способы их устранения

В случае возникновения нарушений в работе инструмента, выполняйте приведенные ниже

указания. Если неисправность своими силами устранить не удастся, обратитесь в авторизованный сервисный центр Black & Decker.

Внимание! Прежде чем приступить к устранению неисправностей, отключите инструмент от источника питания.

Газонокосилка работает медленно

- ◆ Убедитесь, что корпус катушки вращается свободно. При необходимости тщательно его очистите.
- ◆ Убедитесь, что длина выступающей из корпуса катушки режущей лески не превышает 11 см. При необходимости обрежьте ее, чтобы она доходила только до отсекаателя.

Не работает автоматическая подача режущей лески

- ◆ Удерживая язычки нажатыми, снимите крышку с корпуса катушки.
- ◆ Вытяните режущую леску на 11 см из корпуса катушки. Если режущей лески на катушке недостаточно, вставьте новую катушку с леской, как описано выше.
- ◆ Совместите язычки крышки катушки с вырезами в корпусе.
- ◆ Надавите на крышку и прижмите ее к корпусу, пока она не встанет на свое место.
- ◆ Если режущая леска выступает за отсекаатель, обрежьте леску, чтобы она доходила только до отсекаателя.

Если автоматическая подача режущего корда все же не производится или заклинило катушку, попробуйте поступить следующим образом:

- ◆ Тщательно очистите крышку и корпус катушки.
- ◆ Извлеките катушку, и проверьте, может ли свободно двигаться рычаг.
- ◆ Извлеките катушку и размотайте режущую леску; затем снова аккуратно намотайте леску, как было описано выше. Установите катушку на свое место, как описано выше.

Техническое обслуживание

Ваше электрическое/аккумуляторное устройство/инструмент Black & Decker рассчитано на работу в течение продолжительного времени при минимальном техническом обслуживании. Срок службы и надежность устройства/инструмента увеличивается при правильном уходе и регулярной чистке.

Внимание! Перед проведением технического обслуживания электрического/аккумуляторного инструмента:

- ◆ Выключите инструмент/устройство и отключите его от источника питания.
- ◆ Или выключите инструмент/устройство и выньте из него аккумуляторную батарею, если инструмент/устройство оснащено съемной аккумуляторной батареей.
- ◆ В случае наличия встроенной аккумуляторной батареи, полностью разгрузите батарею и выключите инструмент/устройство.
- ◆ Перед чисткой зарядного устройства отключите его от источника питания. Ваше зарядное устройство не требует никакого дополнительного технического обслуживания, кроме регулярной чистки.
- ◆ Регулярно очищайте вентиляционные отверстия инструмента/прибора/зарядного устройства мягкой щеткой или сухой тканью.
- ◆ Регулярно очищайте корпус двигателя влажной тканью. Не используйте абразивные чистящие средства, а также чистящие средства на основе растворителей.

Защита окружающей среды



Раздельный сбор. Данное изделие нельзя утилизировать вместе с обычными бытовыми отходами.

Если однажды Вы захотите заменить Ваш электроинструмент Black & Decker или Вы больше в нем не нуждаетесь, не выбрасывайте его вместе с бытовыми отходами. Отнесите изделие в специальный приемный пункт.



Раздельный сбор изделий с истекшим сроком службы и их упаковок позволяет пускать их в переработку и повторно использовать. Использование переработанных материалов помогает защищать окружающую среду от загрязнения и снижает расход сырьевых материалов.

Местное законодательство может обеспечить сбор старых электроинструментов отдельно от бытового мусора на муниципальных свалках отходов, или Вы можете сдавать их в торговом предприятии при покупке нового изделия.

Фирма Black & Decker обеспечивает прием и переработку отслуживших свой срок изделий Black & Decker. Чтобы воспользоваться этой услугой, Вы можете сдать Ваше изделие в любой авторизованный сервисный центр, который собирает их по нашему поручению.

Вы можете узнать место нахождения Вашего ближайшего авторизованного сервисного

центра, обратившись в Ваш местный офис Black & Decker по адресу, указанному в данном руководстве по эксплуатации. Кроме того, список авторизованных сервисных центров Black & Decker и полную информацию о нашем послепродажном обслуживании и контактах Вы можете найти в интернете по адресу: www.2helpU.com

Технические характеристики

| | | GL280 ТИП 2 | GL301 ТИП 2 | GL315 ТИП 3 |
|------------------------|---------------|----------------|----------------|----------------|
| Напряжение питания | | | | |
| | В перем. тока | 230 | 230 | 230 |
| Потребляемая мощность | | | | |
| | Вт | 300 | 300 | 320 |
| Число оборотов (х. х.) | об/мин | 10 000 | 10 000 | 10 000 |
| | | | | |
| Вес | кг | 2,2 | 2,2 | 2,2 |

| | | GL337 ТИП 2 | GL350 ТИП 3 |
|------------------------|---------------|----------------|----------------|
| Напряжение питания | | | |
| | В перем. тока | 230 | 230 |
| Потребляемая мощность | | | |
| | Вт | 320 | 350 |
| Число оборотов (х. х.) | об/мин | 10 000 | 10 000 |
| | | | |
| Вес | кг | 2,2 | 2,2 |

Измеренная вибрация на рукоятках в соответствии с EN 786:
= 4 м/с², Погрешность (K) = 1,5 м/с²

Декларация соответствия ЕС

ДИРЕКТИВА ПО МЕХАНИЧЕСКОМУ ОБОРУДОВАНИЮ
ДИРЕКТИВА ПО ШУМАМ, ПРОИЗВОДИМЫМ ВНЕ ПОМЕЩЕНИЙ



GL280/GL301/GL315/GL337/GL350

Black & Decker заявляет, что продукты, обозначенные в разделе «Технические характеристики», полностью соответствуют стандартам: 2006/42/ЕС, EN 60335-1, EN 60335-2-91

2000/14/ЕС, Газонокосилка, L ≤ 50 см, Приложение VIII

КЕМА Quality B.V., Utrechtseweg 310, 6802 ED Arnhem, Голландия

Идентификационный Номер Уполномоченного Органа: 0344

Уровень акустической мощности, измеренный в соответствии с 2000/14/ЕС (Статья 12, Приложение III, L ≤ 50 см):

L_{WA} (акустическая мощность) 95 дБ(А)
Погрешность (K) = 3 дБ(А)

L_{WA} (гарантированная акустическая мощность) 96 дБ(А)
Погрешность (K) = 3 дБ(А)

Данные продукты также соответствуют Директиве 2004/108/ЕС. За дополнительной информацией обращайтесь по указанному ниже адресу или по адресу, указанному на последней странице руководства.

Нижеподписавшееся лицо полностью отвечает за соответствие технических данных и делает это заявление от имени фирмы Black & Decker

Кевин Хьюитт (Kevin Hewitt)

Вице-президент отдела мирового проектирования Black & Decker Europe, 210 Bath Road, Slough, Berkshire, SL1 3YD United Kingdom 31-03-2010

Заявка на патент Великобритании №: 059745.6

Заявка на промышленный образец ЕС №: 340385-0001 & 339544-0001

БЛЭК ЭНД ДЕККЕР

гарантийные условия

Уважаемый покупатель!

1. Поздравляем Вас с покупкой высококачественного изделия BLACK & DECKER и выражаем признательность за Ваш выбор.
- 1.1. Надежная работа данного изделия в течение всего срока эксплуатации - предмет особой заботы наших сервисных служб. В случае возникновения каких-либо проблем в процессе эксплуатации изделия рекомендуем Вам обращаться только в авторизованные сервисные организации, адреса и телефоны которых Вы сможете найти в Гарантийном талоне или узнать в магазине. Наши сервисные станции - это не только квалифицированный ремонт, но и широкий выбор запчастей и принадлежностей.
- 1.2. При покупке изделия требуйте проверки его комплектности и исправности в Вашем присутствии, инструкцию по эксплуатации и заполненный Гарантийный талон на русском языке. При отсутствии у Вас правильно заполненного Гарантийного талона мы будем вынуждены отклонить Ваши претензии по качеству данного изделия.
- 1.3. Во избежание недоразумений убедительно просим Вас перед началом работы с изделием внимательно ознакомиться с инструкцией по его эксплуатации.
- 1.4. Обращаем Ваше внимание на исключительно бытовое назначение данного изделия.
2. Правовой основой настоящих гарантийных условий является действующее Законодательство и, в частности, Закон "О защите прав потребителей".
3. Гарантийный срок на данное изделие составляет 24 месяца и исчисляется со дня продажи через розничную торговую сеть. В случае устранения недостатков изделия, гарантийный срок продлевается на период, в течение которого оно не использовалось.
4. Срок службы изделия - 5 лет (минимальный, установленный в соответствии с Законом "О защите прав потребителей").
5. Наши гарантийные обязательства распространяются только на неисправности, выявленные в течение гарантийного срока и обусловленные производственными и конструктивными факторами.
6. Гарантийные обязательства не распространяются:
 - 6.1. На неисправности изделия, возникшие в результате:
 - 6.1.1. Несоблюдения пользователем предписаний инструкции по эксплуатации изделия.
 - 6.1.2. Механического повреждения, вызванного внешним ударным или любым иным воздействием.

- 6.1.3. Использования изделия в профессиональных целях и объемах, в коммерческих целях.
- 6.1.4. Применения изделия не по назначению.
- 6.1.5. Стихийного бедствия.
- 6.1.6. Неблагоприятных атмосферных и иных внешних воздействий на изделие, таких как дождь, снег, повышенная влажность, нагрев, агрессивные среды, несоответствие параметров питающей электросети указанным на инструменте.
- 6.1.7. Использования принадлежностей, расходных материалов и запчастей, не рекомендованных или не одобренных производителем.
- 6.1.8. Проникновения внутрь изделия посторонних предметов, насекомых, материалов или веществ, не являющихся отходами, сопровождающими применение по назначению, такими как стружка опилки и пр. .
- 6.2. На инструменты, подвергавшиеся вскрытию, ремонту или модификации вне уполномоченной сервисной станции.
- 6.3. На принадлежности, запчасти, вышедшие из строя вследствие нормального износа, и расходные материалы, такие как приводные ремни, угольные щетки, аккумуляторные батареи, ножи, пилки, абразивы, пыльные диски, сверла, буры и т. п. .
- 6.4. На неисправности, возникшие в результате перегрузки инструмента, повлекшей выход из строя электродвигателя или других узлов и деталей. К безусловным признакам перегрузки изделия относятся, помимо прочих: появление цветов побежалости, деформация или оплавление деталей и узлов изделия, потемнение или обугливание изоляции проводов электродвигателя под воздействием высокой температуры.



ME 77



007

Блэк энд Деккер Гмбх
Блэк энд Деккер Штрассе, 40
65510 Идштайн, Германия

Область застосування

Ваш тример виробництва компанії Black & Decker був розроблений для підрізання та надання гарного вигляду Вашому газону та для обрізання трави на важкодоступних ділянках. Цей інструмент призначений лише для побутового використання.

Інструкції з техніки безпеки

Попередження! При використанні пристроїв з живленням від електричної мережі необхідно дотримуватись основних заходів безпеки, включаючи наступні, щоб знизити ризик виникнення пожежі, ураження електричним струмом, травм та матеріальних ушкоджень.

- ◆ Перед роботою з пристроєм уважно прочитайте це керівництво.
- ◆ Використання за призначенням описане в цьому керівництві. Використання будь-яких аксесуарів чи додаткових інструментів, або виконання операцій з прибором, неописаних в цьому керівництві, може призвести до особистих травм.
- ◆ Зберігайте це керівництво для отримання інформації в подальшому.

Використання пристрою

Будьте уважні при використанні пристрою.

- ◆ Завжди використовуйте захисні окуляри.
- ◆ Ніколи не дозволяйте дітям та особам, які не знають всіх інструкцій, використовувати цей інструмент.
- ◆ Не дозволяйте дітям або тваринам підходити до робочої зони та торкатися пристроїв або електричних шнурів.
- ◆ Необхідний ретельний нагляд, коли пристрій використовується біля дітей.
- ◆ Цей пристрій не призначений для використання молодими та хворими людьми без нагляду.
- ◆ Цей інструмент не можна використовувати в якості іграшки.
- ◆ Використовуйте цей пристрій лише вдень або за умови хорошого штучного освітлення.
- ◆ Використовуйте лише в сухому місці. Не дозволяйте, щоб пристрій був вологим.
- ◆ Не погружайте пристрій в воду.
- ◆ Не відкривайте корпус. Всередині відсутні деталі, які користувач може обслуговувати самостійно.
- ◆ Не використовуйте цей пристрій у вибухонебезпечних умовах, наприклад, в присутності легкозаймистих рідин, газів або пилу.

- ◆ Щоб знизити ризик пошкодження вилок та шнурів, ніколи не тягніть за кабель, щоб витягнути вилку з розетки.

Безпека сторонніх людей

- ◆ Цей інструмент не призначений для використання людьми (включаючи дітей) з недостатніми фізичними, сенсорними або розумовими можливостями, або з недостатнім досвідом або знаннями, за винятком ситуацій, коли вони працюють під контролем або отримали відповідні інструкції щодо використання пристрою від відповідального за їх безпеку.
- ◆ Діти повинні знаходитись під контролем, щоб гарантувати, що вони не будуть грати з пристроєм.

Залишкові ризики.

Додаткові залишкові ризики можуть виникнути при використанні інструменту, який не включено до наведених попереджень з техніки безпеки. Ці ризики можуть виникнути через невірне використання, тривале використання, тощо.

Незважаючи на виконання всіх відповідних правил техніки безпеки та використання пристроїв безпеки, неможливо уникнути деяких залишкових ризиків. Сюди належать:

- ◆ Травми через контакт з деталями, що рухаються/обертаються.
- ◆ Травми при заміні деталей, пильних полотен або аксесуарів.
- ◆ Травми через занадто тривале використання інструменту. При використанні будь-якого інструменту протягом тривалого періоду часу не забувайте робити регулярні перерви.
- ◆ Пошкодження слуху.
- ◆ Небезпека для здоров'я через вдихання пилу, що утворюється при використанні інструменту.

Після використання

- ◆ Коли пристрій не використовується, його необхідно зберігати в сухому, добре провітрюваному та недоступному для дітей місці.
- ◆ Дітям забороняється мати доступ до пристрою в місці зберігання.
- ◆ Якщо пристрій зберігається або транспортується в автомобілі, його необхідно помістити в багажник або зафіксувати, щоб уникнути рухів через раптові зміни швидкості або напрямку.

Перевірка та ремонт

- ◆ Перед використанням перевірте пристрій на наявність пошкоджених деталей. Перевірте не наявність пошкоджених деталей та інших умов, що можуть вплинути на роботу.
- ◆ Не використовуйте пристрій, якщо виявлено пошкодження або дефекти якоїсь деталі.
- ◆ Пошкоджені або дефектні деталі необхідно відремонтувати або замінити, звернувшись до авторизованого центру з ремонту.
- ◆ Ніколи не намагайтесь знімати або замінювати деталі, за винятком тих, що вказані в цьому керівництві.

Використання подовжуючого шнура

Завжди використовуйте рекомендований подовжуючий шнур, що відповідає вхідній потужності пристрою (див. Технічні дані). Подовжуючий шнур повинен підходити для використання на вулиці та повинен мати відповідне маркування. До 30 м подовжуючого шнура з площею перетину 1,5 мм² HO5VV-F можна використовувати без втрати продуктивності роботи виробу. Перед використанням огляньте кабель на ознаки пошкодження, зносу та старіння. Замініть кабель, якщо він пошкоджений або має якісь дефекти. При використанні кабельного барабану завжди витягуйте весь кабель.

Додаткові інструкції з техніки безпеки для мотокозарки

Попередження! Ріжучі елементи продовжують обертатися після вимкнення мотору.

- ◆ Ознайомтесь з правилами управління та відповідного використання пристрою.
- ◆ Перед використанням огляньте кабель живлення та подовжуючий шнур на ознаки пошкодження, зносу та старіння. Якщо шнур пошкоджується під час використання, негайно від'єднайте його від електромережі. **НЕ ТОРКАЙТЕСЬ ШНУРА, ДОКИ ВІН НЕ ВІД'ЄДНАНИЙ ВІД ЕЛЕКТРОМЕРЕЖІ.**
- ◆ Не використовуйте пристрій, якщо його кабелі пошкоджені або зношені.
- ◆ Підберіть міцне неслизьке взуття для захисту ніг.
- ◆ Вдягайте довгі брюки, щоб захистити ноги.
- ◆ Перед використанням пристрою перевірте, що лінія напрямку вашої роботи вільна від прутів, каміння, проводки та інших перешкод.
- ◆ Використовуйте цей пристрій лише у вертикальному положенні так, щоб лінія напрямку вашої роботи була недалеко від землі.

Ніколи не вмикайте інструмент в іншому положенні.

- ◆ При використанні пристрою рухайтесь повільно. Пам'ятайте, що скошена трава волога та слизька.
- ◆ Не працюйте, стоячи на нахиленій поверхні. Рухайтесь по шилу поперек, а не вгору або вниз.
- ◆ Ніколи не переходьте гравієві доріжки та дороги з увімкненим пристроєм.
- ◆ Ніколи не торкайтесь ріжучої кромки із увімкненим інструментом.
- ◆ Ніколи не кладіть інструмент, доки ріжучий елемент повністю не зупиниться.
- ◆ Використовуйте лише відповідний тип ріжучої волосіні. Забороняється використовувати металеву та рибацьку волосінь.
- ◆ Ніколи не торкайтесь леза підрізного ножа.
- ◆ Зверніть увагу на те, щоб кабель знаходився на безпечній відстані від ріжучого елемента. Стежте за положенням кабелю при роботі.
- ◆ Тримайте руки та ноги подалі від ріжучої волосіні, особливо при ввімкненні інструменту.
- ◆ Перед використанням пристрою та після будь-якої роботи з ним перевіряйте пристрій на ознаки зносу або пошкодження та виконуйте ремонт за необхідності.
- ◆ Ніколи не використовуйте інструмент із пошкодженими запобіжниками або без них.
- ◆ Будьте обережні, щоб не пошкодитись якимось пристроєм, встановленим для підрізки довжини ріжучої волосіні. Після витягування нової ріжучої волосіні завжди повертайте пристрій у нормальне робоче положення перед увімкненням його.
- ◆ Стежте за тим, що вентиляційні отвори були чистими.
- ◆ Не використовуйте тример для газонів (тример для обробки краю газону), якщо шнур пошкоджений або зношений.
- ◆ Утримуйте подовжуючий шнур подалі від ріжучих елементів.

Маркування на пристрої

На інструменті є наступні попереджувачі символи:



Прочитайте ці інструкції перед використанням.



Використовуйте захисні окуляри при роботі з інструментом.



Не дозволяйте людям та тваринам знаходитись ближче, ніж на відстані 6 м від місця зрізання трави.



Не залишайте інструмент під дощем та в умовах підвищеної вологості.

Електрична безпека



Цей пристрій має подвійну ізоляцію ; тому заземлення не є необхідним. Завжди перевіряйте, що джерело живлення відповідає напрузі, що вказана на таблиці з паспортними даними.

- ♦ Якщо шнур живлення пошкоджений, його необхідно замінити у виробника або в офіційному сервісному центрі Black & Decker для уникнення небезпечних ситуацій.

Деталі

Цей пристрій має всі або деякі з нижче перерахованих деталей.

1. Вимикач
2. Ручка
3. Фіксатор кабелю
4. Вхід електроживлення
5. Додаткова ручка
6. Трубка
7. Крюки для зберігання
8. Кнопка налаштування
9. Захисний кожух
10. Підрізний ніж
11. Ріжуча волосінь
12. Корпус для катушки
13. Керуюча для підрізання краю газону
14. Головна частина інструменту

Збірка

Попередження! Перед збіркою переконайтеся, що інструмент вимкнено та вилка витягнута з розетки.

Прикріплення трубки до головної частини інструменту (мал. А)

- ♦ Сумістити шліц на трубці (6) з пазом на головній частині (14).
- ♦ Вставте трубку в головну частину та натисніть до характерного звуку.

Прикріплення ручки до трубки (мал. В)

- ♦ Сумістіть шліц на трубці (6) з пазом на ручці (2).
- ♦ Вставте трубку в рукоятку та натисніть до характерного звуку.

Встановлення захисного кожуха (мал. С)

- ♦ Вкрутіть гвинт (15) з головної частини.
- ♦ Розташуйте захисний кожух на інструменті, як показано.
- ♦ Добре натисніть на захисний кожух (9), доки він не встане на місце.
- ♦ Закріпіть захисний кожух за допомогою гвинта.

Попередження! Не використовуйте інструмент, якщо захисний кожух встановлено невірно.

Підготовка ріжучої волосіні до роботи

При транспортуванні ріжуча волосінь приклеєна до корпусу катушки.

- ♦ Зніміть клейку стрічку, утримуючи ріжучу волосінь (11) на корпусі катушки (12).

Підключення інструменту до мережі живлення (мал. D)

- ♦ З'єднайте штепсельну розетку відповідного подовжуючого кабелю з отвором входу живлення (4).
- ♦ Закріпіть кабель в фіксаторі (3).
- ♦ Підключіть мережний кабель до мережі живлення.

Попередження: Перед підключенням мережного кабелю до мережі живлення переконайтеся, що він закріплений фіксатором.

Попередження! Використовуйте подовжуючий шнур, що необхідний для використання поза приміщенням.

Використання

Попередження! Інструмент повинен працювати зі своєю швидкістю. Не перевантажуйте його.

Налаштування інструменту для підстригання трави і вирівнювання краю (мал. E - G)

Ваш інструмент може бути використаний для підстригання трави, як показано на мал. F або для вирівнювання краю газону або квіткових клумб, як показано на мал. G.

Режим підстригання трави (мал. E і F)

Для підстригання трави голівка тримеру повинна бути встановлена у положення, показане на мал. F. Якщо це не так:

- ♦ Натисніть на кнопку (8).
- ♦ Поверніть головку косарки (14) та відпустіть кнопку.
- ♦ Коли голівка встане на місце, кнопка автоматично заблокується.

Примітка: Трубка може повертатися лише в одну сторону.

Вирівнювання краю газону (мал. E і G)

Для підстригання краю газону голівка тримеру повинна бути встановлена у положення, показане на мал. G. Якщо це не так:

- ◆ Натисніть на кнопку (8).
- ◆ Поверніть головку косарки (14) та відпустіть кнопку.
- ◆ Коли голівка встане на місце, кнопка автоматично заблокується.

Примітка: Трубка може повертатися лише в одну сторону.

Вмикання та вимкання

- ◆ Для увімкнення інструменту натисніть на пусковий важіль (1).
- ◆ Відпустіть перемикач, щоб вимкнути інструмент.

Попередження! Не намагайтесь заблокувати перемикач у включеному положенні.

Примітки для оптимального використання

Загальні положення

- ◆ Щоб досягти оптимального результату, підстригайте лише суху траву.

Підстригання трави

- ◆ Тримайте інструмент, як показано на мал. F.
- ◆ Повільно пересувайте косарку з сторони в сторону.
- ◆ Підстригання високої трави треба робити поетапно, починаючи зверху. Робіть невеликі зрізи.
- ◆ Тримайте косарку на безпечній відстані від твердих предметів та нижніх рослин.
- ◆ Якщо ріжуча частина починає обертатися повільніше, зменшіть навантаження.

Вирівнювання краю

Оптимальна якість роботи досягається при висоті краю більше за 50 мм.

- ◆ Не використовуйте Ваш інструмент для створення нових країв. Застосовуйте для цього спеціальну лопатку.
- ◆ Направляйте інструмент, як показано на мал. G.
- ◆ Для більш короткого зрізу, трохи нахиліть інструмент.

Встановлення нової котушки з ріжучою волосінню (мал. H - J)

Котушка з однією ріжучою волосінню (мал. H)
Запасні котушки можна придбати у дилерів компанії Black & Decker (кат. №. A6481).

- ◆ Натисніть на фіксатори (16) і від'єднайте кришку котушки (17) від корпусу (12).
- ◆ Витягніть порожню котушку (18) з корпусу.
- ◆ Видаліть бруд та траву з кришки та корпусу.
- ◆ Візьміть нову котушку та витягніть волосінь приблизно на 9 см.
- ◆ Пропустіть волосінь через отвір (19).
- ◆ Встановіть котушку на стрижень (20) та трохи поверніть її, доки вона не встане на місце. Переконайтесь, що ріжуча волосінь не потрапила під котушку та що 9 см волосіні витягнуто з корпусу.
- ◆ Вирівняйте фіксатори на кришці відносно отворів корпусу.
- ◆ Натисніть на кришку, щоб вона встала на своє місце на корпусі.

Попередження! Якщо ріжуча волосінь виступає за лезо (10), обріжте її так, щоб вона тільки доходила до нього.

Котушка з двома ріжучими волосіннями (мал. I і J)

Запасні котушки можна придбати у дилерів компанії Black & Decker (кат. №. A6441). Також можна придбати касету, що містить котушку з ріжучою волосінню (кат. № A6488).

- ◆ Натисніть на фіксатори (21) і від'єднайте кришку котушки (22) від корпусу (12).
- ◆ Витягніть порожню котушку (23) з корпусу.
- ◆ Видаліть бруд та траву з кришки та корпусу.
- ◆ Візьміть нову котушку та встановіть її на втулку корпусу котушки. Трохи поверніть котушку, щоб вона встала на місце.
- ◆ Від'єднайте кінець однієї ріжучої волосіні й пропустіть його в один з отворів (24). Волосінь повинна виступати приблизно на 9 см з корпусу котушки.
- ◆ Від'єднайте кінець іншої ріжучої волосіні й пропустіть його в другий отвір. Волосінь повинна виступати приблизно на 9 см з корпусу котушки.
- ◆ Вирівняйте фіксатори (21) на корпусі котушки відносно виступів (25) корпусу.
- ◆ Натисніть на кришку, щоб вона встала на своє місце на корпусі.

Попередження! Якщо ріжучі волосіні виступають за лезо (10), обріжте їх так, щоб вони тільки доходили до нього.

Намотка нової волосіні на порожню котушку (мал. K - O)

Ви можете намотати ріжучу волосінь на порожню котушку.

Котушка з однією ріжучою волосінню (мал. К і L)

Запасні комплекти волосіні можна придбати у дилерів компанії Black & Decker (кат. №. A6170 (25 м) & A6171 (40 м)).

- ◆ Витягніть порожню котушку, як показано вище.
 - ◆ Витягніть всю волосінь, що залишилася, з котушки.
 - ◆ Просуньте 2 см ріжучої волосіні в один з отворів (26) котушки, як показано на рисунку.
 - ◆ Зігніть ріжучу волосінь та зафіксуйте її в г-подібному отворі (27).
 - ◆ Намотайте волосінь на котушку в напрямку, що вказано стрілкою. (28). Намотуйте волосінь обережно та шарами. Не заплутуйте її.
 - ◆ Коли останній намотаний шар волосіні буде на рівні пазів (29), обріжте волосінь. Волосінь повинна виступати приблизно на 9 см з котушки, утримуйте її пальцем, щоб вона залишалася на місці.
 - ◆ Встановіть котушку, як було описано вище.
- Попередження!** Використовуйте лише відповідну ріжучу волосінь компанії Black & Decker.

Котушка з двома ріжучими волосіннями (мал. M - O)

Запасні комплекти волосіні можна придбати у дилерів компанії Black & Decker (кат. №. A6440).

- ◆ Витягніть порожню котушку, як показано вище.
- ◆ Витягніть всю волосінь, що залишилася, з котушки.
- ◆ Спочатку намотайте нову волосінь на верхню частину котушки:
 - Просуньте 2 см ріжучої волосіні в один з отворів (30) верхньої частини котушки, як показано на рисунку.
 - Намотайте волосінь на котушку в напрямку, що вказано стрілкою. (31). Намотуйте волосінь обережно та шарами. Не заплутуйте її.
 - Коли останній намотаний шар волосіні буде на рівні пазів (32), обріжте волосінь.
 - Тимчасово закріпіть волосінь в пази (33), як показано на рисунку.
- ◆ Повторіть процедуру для другої ріжучої волосіні та нижньої частини котушки. Закріпіть кінець в пази (33), що не використовується.
- ◆ Встановіть котушку, як було описано вище. Не забудьте витягти волосінь з пазів (33).

Попередження! Використовуйте лише відповідну ріжучу волосінь компанії Black & Decker. Переконайтесь, що волосінь є в обох частинах котушки.

Усунення несправностей

Якщо Вам здається, що Ваш інструмент працює невірно, виконайте інструкції, що наводяться нижче. Якщо Вам не вдалося вирішити проблему, будь ласка, зверніться в регіональний сервісний центр Black & Decker.

Попередження! Перед виконанням операцій, від'єднайте інструмент від мережі живлення.

Пристрій працює повільно

- ◆ Перевірте, що корпус котушки може вільно обертатися. При необхідності обережно прочистіть його.
- ◆ Ріжуча волосінь не повинна бути відмотана більше, ніж 11 см від котушки. Обріжте її при необхідності, щоб вона доходила до леза.

Не працює механізм автоматичної подачі волосіні

- ◆ Утримуйте фіксатори натисненими та витягніть кришку котушки з корпусу.
- ◆ Відмотайте ріжучу волосінь на 11 см від корпусу. Якщо котушка має мало волосіні, встановіть нову котушку з ріжучою волосінню, як описано вище.
- ◆ Вирівняйте фіксатори на корпусі котушки відносно виступів корпусу.
- ◆ Натисніть на кришку, щоб вона встала на своє місце на корпусі.
- ◆ Якщо ріжуча волосінь виступає за лезо, обріжте її так, щоб вона тільки доходила до нього.

Якщо механізм автоматичної подачі волосіні все ж не працює або котушка не прокручується, спробуйте наступне:

- ◆ Обережно прочистіть кришку і корпус.
- ◆ Витягніть котушку і переконайтесь, що важіль рухається вільно
- ◆ Витягніть котушку і розмотайте ріжучу волосінь, а потім намотайте її знов ретельно, як описано вище. Вставте котушку на місце у відповідності до інструкцій.

Технічне обслуговування

Ваш пристрій виробництва компанії Black & Decker призначений для роботи протягом довгого часу з мінімальним обслуговуванням. Довга задовільна робота інструменту залежить від відповідного обслуговування інструменту/пристрою та регулярного очищення.

Попередження! Перед виконанням будь-якого технічного обслуговування інструменту зі шнуром живлення або без нього:

- ◆ Вимкніть та відключіть пристрій від мережі живлення.

- ◆ Або вимкніть інструмент та витягніть батарею з нього, якщо він має окремий акумуляторний блок.
- ◆ Або повністю розрядіть акумулятор, якщо він не витягається, а потім вимкніть інструмент.
- ◆ Витягніть зарядний пристрій з розетки перед очисткою. Ваш зарядний пристрій не вимагає технічного обслуговування, лише необхідно проводити регулярну очистку.
- ◆ Регулярно очищуйте вентиляційні отвори інструменту та зарядного пристрою, використовуючи м'яку щітку або суху ганчірку.
- ◆ Регулярно очищуйте корпус двигуна, використовуючи вологу ганчірку. Не використовуйте абразивні очищаючі засоби та засоби, основані на розчинниках.

Захист навколишнього середовища



Окреме збирання. Цей продукт не можна викидати разом зі звичайним побутовим сміттям.

Якщо якимось Ви вирішите, що ваш виріб фірми Black & Decker має бути замінено, або він Вам більше не потрібний, не викидайте його на смітник побутового сміття. Зробіть цей виріб доступним для спеціального збору.



Окремий збір використаних виробів та упаковки дозволяє повторно переробляти та використовувати матеріали. Переробка повторно використаних матеріалів допомагає попередити забруднення навколишнього середовища та зменшує потребу в сировині.

Місцеві законодавчі акти можуть передбачати окремий збір електричного обладнання в муніципальних місцях для збору сміття або продавцями при покупці нового обладнання.

Компанія Black & Decker має можливість для збору та переробки продуктів власного виробництва після закінчення їхнього терміну служби. Щоб скористатися цією послугою, поверніть виріб компанії в офіційний сервісний центр, які збирають відпрацьовані продукти за наш рахунок.

Ви можете знайти місцезнаходження найближчого до Вас сервісного центру, зв'язавшись з місцевим офісом компанії Black & Decker за адресою, вказаною в цих інструкціях. Крім того, список офіційних сервісних центрів компанії Black & Decker з усіма подробицями нашого післяпродажного обслуговування та контактної

інформацією міститься в Інтернеті за адресою: www.2helpU.com

Технічні дані

| | | GL280 ТИП 2 | GL301 ТИП 2 | GL315 ТИП 3 |
|-------------------|-----------------|----------------|----------------|----------------|
| Вхідна напруга | V _{AC} | 230 | 230 | 230 |
| Вхідна потужність | Вт | 300 | 300 | 320 |
| Швидкість | | | | |
| без навантаження | об/хв | 10 000 | 10 000 | 10 000 |
| Вага | кг | 2,2 | 2,2 | 2,2 |

| | | GL337 ТИП 2 | GL350 ТИП 3 |
|-------------------|-----------------|----------------|----------------|
| Вхідна напруга | V _{AC} | 230 | 230 |
| Вхідна потужність | Вт | 320 | 350 |
| Швидкість | | | |
| без навантаження | об/хв | 10 000 | 10 000 |
| Вага | кг | 2,2 | 2,2 |

Значення вібрації при навантаженні на руку відповідно до EN 786:
= 4 м/с², похибка (K) = 1,5 м/с²,

Заява про відповідність ЄС
ДИРЕКТИВА ДЛЯ МЕХАНІЧНОГО ОБЛАДНАННЯ
ДИРЕКТИВА ПРО ШУМИ, ЩО ВИНИКАЮТЬ ПОЗА ПРИМІЩЕННЯМИ



GL280/GL301/GL315/GL337/GL350

Компанія Black & Decker заявляє, що продукти, описані в розділі "Технічні дані" відповідають: 2006/42/EC, EN 60335-1, EN 60335-2-91.

2000/14/EC, тример для газонів, L ≤ 50 см, Додаток VIII

KEMA Quality B.V., Utrechtseweg 310, 6802 ED Arnhem, Нідерланди

Ідентифікаційний № уповноваженого органу: 0344

Рівень акустичної потужності відповідно до 2000/14/EC (Стаття 12, Додаток III, L ≤ 50 см):
L_{WA} (вимірjana акустична потужність) 95 дБ(A)
похибка (K) = 3 дБ(A)

L_{WA} (гарантована акустична потужність)
96 дБ(A)
похибка (K) = 3 дБ(A)

Ці продукти також відповідають директиві 2004/108/EC.

Для отримання додаткової інформації, будь ласка, зверніться до компанії Black & Decker за наступною адресою або прочитайте інформацію на зворотній стороні цього керівництва.

Нижчепідписаний несе відповідальність за упорядкування файлу технічних характеристик та робить цю заяву від компанії Black & Decker



Кевін Хьюїт (Kevin Hewitt)

Віце-президент з глобальних розробок
Black & Decker Europe, 210 Bath Road, Slough,
Berkshire, SL1 3YD
Великобританія
31-03-2010

№ заявки на патент Великобританії: 059745.6

Номери заявок на патентування промислового зразка Європейської Співдружності 340385-0001 і 339544-0001

БЛЕК ЕНД ДЕККЕР

гарантійні умови

Шановний покупцю!

1. Вітаємо Вас з покупкою високоякісного виробу компанії Black & Decker та висловлюємо Вам свою вдячність за Ваш вибір.
- 1.1. Надійна робота цього виробу на протязі всього терміну експлуатації є предметом особливої турботи наших сервісних служб. У випадку виникнення будь-яких проблем в процесі експлуатації виробу ми рекомендуємо Вам звертатися лише до авторизованих сервісних організацій, адреси та телефони яких Ви зможете знайти в Гарантійному талоні або дізнатися в магазині. Наші сервісні центри – це не тільки кваліфікований ремонт, але і широкий вибір запчастин та аксесуарів.
- 1.2. При купівлі виробу вимагайте перевірки його комплекtnості та справності за Вашої присутності, наявності інструкції та заповненого Гарантійного талону на українській мові. За умов відсутності у Вас правильно заповненого Гарантійного талону ми будемо вимушені відхилити Ваші претензії щодо якості цього виробу.
- 1.3. Щоб уникнути всіх непорозумінь наполегливо просимо Вас перед початком роботи з виробом уважно ознайомитись з інструкцією щодо його експлуатації.
- 1.4. Звертаємо Вашу увагу на виключно побутове призначення цього виробу.
2. Правовою основою даних гарантійних умов є діюче Законодавство та, зокрема, Закон "Про захист прав споживачів".
3. Гарантійний термін на даний виріб складає 24 місяці та починається з дня продажу через роздрібну торгову мережу. У випадку усунення недоліків виробу гарантійний термін подовжується на період, протягом якого виріб не використовувався.
4. Термін служби виробу - 5 років (мінімальний, встановлений у відповідності до Закону "Про захист прав споживачів").
5. Наші гарантійні зобов'язання поширюються тільки на несправності, виявлені протягом гарантійного терміну та обумовлені виробничими та конструктивними факторами.
6. Гарантійні зобов'язання не поширюються:
 - 6.1. На несправності виробу, що виникли в результаті:
 - 6.1.1. Недотримання користувачем вказівок інструкції з експлуатації виробу.
 - 6.1.2. Механічних пошкоджень, викликаних зовнішнім ударним або іншим впливом.
 - 6.1.3. Використання виробу в професійних цілях та об'ємах, в комерційних цілях.
 - 6.1.4. Застосування виробу не за призначенням.
 - 6.1.5. Стихійного лиха.

- 6.1.6. Несприятливому атмосферному та інших зовнішніх впливах на виріб, таких як дощ, сніг, підвищена вологість, нагрів, агресивні середовища, невідповідність параметрів електромережі параметрам, вказаним на інструменті.
- 6.1.7. Використання аксесуарів, витратних матеріалів та запчастин, які не рекомендовані або не схвалені виробником.
- 6.1.8. Проникнення всередину інструменту сторонніх предметів, комах, матеріалів або речовин, що не є відходами, які супроводжують використання інструменту за призначенням, наприклад, стружки, опилки та ін.
- 6.2. На інструменти, що були відкриті, піддані ремонту або модифікації поза уповноваженим сервісним центром.
- 6.3. На приналежності, запчастини, що вийшли з ладу внаслідок нормального зносу, та витратні матеріали, такі як, приводні ремені, вугільні щітки, ножі, та ін.
- 6.4. На несправності, які виникли в результаті перевантаження інструменту, що призвело до виходу з ладу електродвигуна або інших вузлів та деталей. До безумовних ознак перевантаження виробу належать, зокрема: поява кольорів мінливості, деформація або оплавлення деталей та вузлів виробу, потемніння або обуглювання ізоляції дрітв електродвигуна під впливом високої температури.



Блек енд Декер ГмбХ,
Блек енд Декер Штрассе, 40,
65510 Ідштайн, Німеччина.

03 червня 1999 р.

Kullanım amacı

Black & Decker misinalı çim kesme makineniz bahçenizdeki çim kenarlarının kesilmesi ve düzeltilmesi, ayrıca dar alanlardaki çimlerin kesilmesi için tasarlanmıştır. Bu alet sadece hafif hizmet ve hobi kullanımı içindir.

Güvenlik talimatları

Uyarı! Elektrikli aletlerle çalışırken yangın oluşma riski, elektrik çarpması, kişilerin yaralanması ve maddi zararları önlemek için burada belirtilen güvenlik talimatlarına uyulmalıdır.

- ◆ Aletle çalışmaya başlamadan önce bu kılavuzu dikkatlice okuyun.
- ◆ Kullanım amacı bu kullanım kılavuzunda açıklanmıştır. Bu aletle, kullanım kılavuzunda belirtilenler dışında herhangi bir aksesuar ya da elemanın kullanılması veya herhangi bir işlemin gerçekleştirilmesi kişisel yaralanma riskine yol açabilir.
- ◆ Kılavuzu, ileride kullanabilmeniz için saklayın.

Aletin kullanımı

Aleti kullanırken her zaman dikkatli olun.

- ◆ Her zaman koruyucu gözlük takın.
- ◆ Çocukların veya bu talimatları bilmeyen kişilerin aleti kullanmasına izin vermeyin.
- ◆ Çocukların veya hayvanların çalışma alanına yaklaşmasına veya alete ya da elektrik kablo-suna dokunmasına izin vermeyin.
- ◆ Alet çocukların yanında kullanıldığında yakın gözetim gerekmektedir.
- ◆ Bu alet genç veya kuvvetsiz kişilerin gözetimsiz kullanmaları için tasarlanmamıştır.
- ◆ Bu alet oyuncak olarak kullanılamaz.
- ◆ Aleti yalnızca gün ışığında veya iyi bir aydınlatma altında kullanın.
- ◆ Aleti, sadece kuru alanlarda kullanın. Aletin ıslanmasına izin vermeyin.
- ◆ Aleti suya batırmayın.
- ◆ Gövde muhafazasını açmayın. Aletin içinde bakım kullanıcı tarafından yapılabilecek herhangi bir parça yoktur.
- ◆ Aleti, yanıcı sıvılar, gazlar ve tozların bulunduğu yerler gibi yanıcı ortamlarda çalıştırmayın.
- ◆ Fişler veya kabloların hasar görme riskini azaltmak için fişi prizden çıkartmak istediğinizde asla kablodan tutarak çekmeyin.

Diğer kişilerin güvenliği

- ◆ Bu alet fiziksel ve zihinsel kapasitesinin yanı sıra algılama gücü azalmış olan veya yeterince deneyim ve bilgisi bulunmayan kişiler (çocuklar dahil) tarafından kullanılmak üzere üretilmemiş-

tir. Bu tür kişiler aleti ancak güvenliklerinden sorumlu bir kişi tarafından cihazın kullanımıyla ilgili talimatların verilmesi veya sürekli kontrol altında tutulması durumunda kullanabilir.

- ◆ Çocuklar, aletle oynamalarının önlemek amacıyla kontrol altında tutulmalıdır.

Diğer tehlikeler.

Aletin kullanımıyla ilgili ekte sunulan güvenlik uyarılarına dahil olmayan ilave kalıcı riskler ortaya çıkabilir. Bu riskler, hatalı, uzun süreli kullanım vb. dolayısıyla ortaya çıkabilir.

Emniyet tedbirlerini düzenleyen yönetmeliğin uygulanmasına ve emniyet sağlayıcı aygıtların kullanılmasına rağmen, başka belirli risklerden kaçınılamaz. Bunlar:

- ◆ **Aletin dönen ve hareket eden parçalarına dokunma sonucu ortaya çıkan yaralanmalar.**
- ◆ **Herhangi bir parçayı, bıçak veya aksesuarı değiştirirken ortaya çıkan yaralanmalar.**
- ◆ **Aletin uzun süreli kullanılması sonucu ortaya çıkan yaralanmalar. Herhangi bir aleti uzun sürelerle kullanacaksanız düzenli olarak çalışmaya ara verin.**
- ◆ **Duyuma bozukluğu.**
- ◆ **Aleti kullanırken ortaya çıkan tozun solunması sonucu ortaya çıkan sağlık sorunları (örnek: ahşapta çalışırken, özellikle meşe, akçürge ve MDF.)**

Kullanımdan sonra

- ◆ Aletler, kullanılmadıkları zamanlarda kuru, iyi havalandırılmalı ve çocukların ulaşamayacağı yüksek bir yerde saklanmalıdır.
- ◆ Çocuklar, aletin saklandığı yere erişmemelidir.
- ◆ Alet bir araç içinde saklanırken veya taşınırken, ani hız veya yön değişikliklerinde hareket etmesini önlemek için bagaja koyulmalı veya sabitlenmelidir.

İncelemeler ve tamiratlar

- ◆ Kullanmadan önce alette hasarlı veya kusurlu parça olup olmadığını kontrol edin. Parçalardaki kırılmaları ve aletin çalışmasını etkileyebilecek tüm diğer koşulları kontrol edin.
- ◆ Herhangi bir parçası hasarlı veya kusurlu ise aleti kullanmayın.
- ◆ Hasarlı veya kusurlu parçaların Black & Decker yetkili servisinde onarılmasını veya değiştirilmesini sağlayın.
- ◆ Bu kılavuzda belirtilenler dışında hiçbir parçayı sökmeye veya değiştirmeye çalışmayın.

Uzatma kablolarının kullanımı

Daima bu aletin elektrik girişine uygun (teknik özelliklerine bakın), onaylı bir uzatma kablosu kullanın. Uzatma kablosu açık havada kullanıma uygun ve buna göre işaretlenmiş olmalıdır. 30 m'ye kadar 1,5 mm² iletken ebatlı HO5VV-F uzatma kablosu, güç kaybı yaşanmadan kullanılabilir. Kullanmadan önce, uzatma kablosunda hasar, aşınma veya eskime olup olmadığını kontrol edin. Hasarlı veya kusurlu ise, uzatma kablosunu değiştirin. Bir kablo makarası kullanırken, kabloyu daima sonuna kadar açın.

Çim kesme makineleri için ek güvenlik talimatları

Uyarı! Motor kapatıldıktan sonra kesim elemanları dönmeye devam eder.

- ◆ Aletin kumandalarını ve uygun şekilde kullanımını öğrenin.
- ◆ Kullanmadan önce, şebeke kablosunda ve uzatma kablosunda hasar, aşınma veya eskime olup olmadığını kontrol edin. Kablo kullanım sırasında hasar görmüşse, kabloyu derhal fişten çekin. **KABLOYU FİŞTEN ÇEKMEYEN ÖNCE KABLOYA DOKUNMAYIN.**
- ◆ Kablo hasarlı veya yıpranmış ise aleti kullanmayın.
- ◆ Ayaklarınızı korumak için sağlam ayakkabılar veya botlar giyin.
- ◆ Bacaklarınızı korumak için uzun pantolon giyin.
- ◆ Aleti kullanmadan önce, kesim yolunuzda çalı parçaları, taşlar, tel ve başka herhangi bir engel olup olmadığını kontrol edin.
- ◆ Aleti, sadece dik konumda ve misina yere yakın olarak kullanın. Aleti kesinlikle başka hiçbir konumda açmayın.
- ◆ Aleti kullanırken yavaş hareket edin. Yeni kesilmiş çimin nemli ve kaygan olduğunu unutmayın.
- ◆ Dik eğimlerde çalışmayın. Yukarı ve aşağı doğru değil, eğim yüzeyi boyunca çalışın.
- ◆ Alet çalışır durumdayken kesinlikle çakıllı patikalardan veya yollardan geçmeyin.
- ◆ Alet çalışırken hiçbir zaman misinaya dokunmayın.
- ◆ Misina tamamen durmadan aleti yere koymayın.
- ◆ Daima uygun tipte misina kullanın. Kesinlikle metal kesim ipi veya balık misinası kullanmayın.
- ◆ Misina kesim bıçağına kesinlikle dokunmayın.
- ◆ Şebeke kablosunu misinadan uzak tutmaya dikkat edin. Kablonun konumuna daima dikkat edin.
- ◆ Ellerinizi ve ayaklarınızı, özellikle motoru çalıştırırken misinadan daima uzakta tutun.

- ◆ Aleti kullanmadan önce ve herhangi bir darbeden sonra, aşınma veya hasar olup olmadığını kontrol edin ve gerekirse tamir ettirin. Siperlik zarar gördüğünde veya yerine takılı olmadığında hiçbir zaman aleti çalıştırmayın.
- ◆ Çim kesme için misinayla çalışan aletlerde misina uzunluğundan dolayı meydana gelebilecek yaralanmalara karşı önlem alın. Misinayı uzattıktan sonra, çalıştırmadan önce aleti her zaman normal çalışma konumuna getirin.
- ◆ Havalandırma deliklerinde herhangi bir birikinti olmadığından daima emin olun.
- ◆ Kablo hasarlı veya yıpranmış ise çim kesme makinesini kullanmayın.
- ◆ Uzatma kablosunu kesim elemanlarından uzak tutmaya dikkat edin.

Alet üzerindeki etiketler

Alet üzerinde, aşağıdaki uyarı sembolleri bulunmaktadır:



Aleti kullanmadan önce kullanım kılavuzunu okuyun.



Bu aleti kullanırken koruyucu gözlük kullanın.



İnsanları ve hayvanları kesim alanından en az 6 m uzakta tutun.



Aleti yağmura ve yüksek neme maruz bırakmayın.

Elektrik güvenliği



Bu alet çift yalıtımlıdır; bu yüzden hiçbir topraklama kablosuna gerek yoktur. Her zaman şebeke geriliminin aletin üretim etiketinde belirlenmiş değerlere uyup uymadığını kontrol edin.

- ◆ Elektrik kablosu hasarlı ise, bir tehlike oluşmasını önlemek için üretici ya da yetkili Black & Decker Servis Merkezi tarafından değiştirilmelidir.

ÖZELLİKLER

Bu alet, aşağıdaki özelliklerin bir kısmını veya tümünü içermektedir.

1. Açma/kapama düğmesi
2. Tutma kolu
3. Kablo tutucu
4. Güç girişi
5. İkinci tutma kolu
6. Gövde borusu
7. Kablo sarma kancaları
8. Ayarlama düğmesi

9. Siperlik
10. Misina düzeltme bıçağı
11. Misina
12. Makara muhafazası
13. Kenar kılavuzu
14. Motor gövdesi

Montaj

Uyarı! Montajdan önce aletin kapalı ve fişinin çekilmiş olduğundan emin olun.

Gövde borusunun motor gövdesine takılması (Şekil A)

- ◆ Gövde borusunun (6) dikkörtgen tırnağını, motor gövdesindeki (14) yer ile hizalayın.
- ◆ Gövde borusunu motor gövdesinin içine sokun ve tık sesi ile yerine oturana kadar itin.

Tutma kolunun gövde borusuna takılması (Şekil B)

- ◆ Borunun (6) kare tırnağını koldaki (2) yer ile hizalayın.
- ◆ Boruyu kolun içine sokun ve tık sesi ile yerine oturana kadar itin.

Siperliğin takılması (Şekil C)

- ◆ Vidayı (15) motor gövdesinden sökün.
- ◆ Siperliği gösterildiği gibi aletin üzerine yerleştirin.
- ◆ Yerine yerleşene kadar siperliği (9) sıkıca bastırın.
- ◆ Siperliği vidayla sabitleyin.

Uyarı! Aleti, siperlik uygun şekilde takılı değilken kesinlikle kullanmayın.

Misininin çıkartılması

- Misina, makara muhafazasına bantlanmıştır.
- ◆ Misinayı (11) makara muhafazasına (12) yapıştıran bandı çıkartın.

Aletin şebeke elektriğine bağlanması (Şekil D)

- ◆ Uygun bir uzatma kablosunun dişi fişini güç girişine (4) takın.
- ◆ Kabloyu kablo tutucusundan (3) geçirin.
- ◆ Şebeke fişini bir şebeke prizine takın.

Hazır bağlantılı kabloya sahip aletler için: Fişi şebeke prizine takmadan önce kablonun kablo tutucudan geçirildiğinden emin olun.

Uyarı! Uzatma kablosu açık havada kullanıma uygun olmalıdır.

Kullanımı

Uyarı! Aletin kendi hızında çalışmasına izin verin. Aşırı yüklenmeyin.

Aletin normal kesme veya kenar kesme moduna getirilmesi (Şekil E - G)

Alet, şekil F'de gösterildiği gibi normal kesme modunda veya şekil G'de gösterildiği gibi bahçenin kenarlarından ve çiçek yataklarından sarkan çimleri kesmek için kenar kesme modunda kullanılabilir.

Kesme modu (Şekil E ve F)

Normal kesme modu için, kesim kafası şekil F'de gösterilen konumda olmalıdır. Değilse:

- ◆ Ayarlama düğmesine (8) basın.
- ◆ Düğmeyi bırakırken kolu (14) döndürün.
- ◆ Motor gövdesi ilgili konuma geldiğinde düğme yerine kilitlenecektir.

Not: Gövde borusu yalnızca tek bir yönde döner.

Kenar kesme modu (Şekil E ve G)

Kenar kesme modu için, kesim kafası şekil G'de gösterilen konumda olmalıdır. Değilse:

- ◆ Ayarlama düğmesine (8) basın.
- ◆ Düğmeyi bırakırken kolu (14) döndürün.
- ◆ Motor gövdesi ilgili konuma geldiğinde düğme yerine kilitlenecektir.

Not: Gövde borusu yalnızca tek bir yönde döner.

Açılması ve kapatılması

- ◆ Aleti açmak için, açma/kapama düğmesine (1) basın.
- ◆ Aleti kapatmak için açma/kapama düğmesini bırakın.

Uyarı! Açma/kapama düğmesini kesinlikle açık konumda kilitlemeye çalışmayın.

Yararlı tavsiyeler

Genel

- ◆ En uygun kesim sonuçları elde etmek için, sadece kuru çim kesin.

Kesme

- ◆ Aleti Şekil F'de gösterildiği gibi tutun.
- ◆ Çim kesme makinesini yavaşça bir taraftan diğer tarafa doğru sallayın.
- ◆ Uzun çimleri keserken, yukarıdan aşağı kademelerle çalışın. Küçük kesimler yapın.
- ◆ Aleti sert nesnelere ve hassas bitkilerden uzak tutun.
- ◆ Alet yavaşlarsa, yükü azaltın.

Kenar kesme

En uygun kesim sonuçları 50 mm'den derin kenarlarda elde edilmektedir.

- ◆ Aleti, kenar oluşturmak için kullanmayın. Kenar oluşturmak için bir bahçıvan küreği kullanın.
- ◆ Aleti Şekil G'de gösterildiği gibi yönlendirin.

- ◆ Daha yakın bir kesim yapabilmek için aleti hafifçe eğin.

Yeni bir misina makarasının takılması (Şekil H - J)

Tek misinalı makara (Şekil H)

Yedek misina makaralarını Black & Decker bayiinizden temin edebilirsiniz (kat. no. A6481).

- ◆ Tırnakları (16) basılı tutup makara kapağını (17) muhafazadan (12) çıkartın.
- ◆ Boş makarayı (18) makara muhafazasından çıkartın.
- ◆ Makara kapağı ve muhafazadaki tüm kir ve çimi temizleyin.
- ◆ Yeni makarayı alın, yaklaşık 9 cm misina açın.
- ◆ Misinayı delikten (19) geçirin.
- ◆ Makarayı, tahrik milinin (20) üzerine bastırın ve oturana kadar hafifçe döndürün. Misinanın makaranın altında sıkışmadığından ve 9 cm kadarının muhafazadan dışarı çıktığından emin olun.
- ◆ Makara kapağındaki tırnakları muhafazadaki deliklerle hizalayın.
- ◆ Kapağı, güvenli bir şekilde yerine geçene kadar muhafazanın üzerine bastırın.

Uyarı! Misina düzeltme bıçağının (10) ötesine uzuyorsa misinayı sadece bıçağa ulaşacak şekilde kesin.

Çift misinalı makara (Şekil I ve J)

Yedek misina makaralarını Black & Decker bayiinizden temin edebilirsiniz (kat. no. A6441). Bir misina içeren komple kasetler de bulunmaktadır (kat. no. A6488).

- ◆ Tırnakları (21) basılı tutup makara kapağını (22) muhafazadan (12) çıkartın.
- ◆ Boş makarayı (23) makara kapağından çıkartın.
- ◆ Makara kapağı ve muhafazadaki tüm kir ve çimi temizleyin.
- ◆ Yeni makarayı alın ve makara kapağının içindeki göbeğin üzerine bastırın. Makarayı yerine oturana kadar hafifçe döndürün.
- ◆ Misinalardan birinin ucunu açın ve misinayı bir halkadan (24) geçirin. Misina makara kapağından yaklaşık 9 cm dışarı çıkmalıdır.
- ◆ Diğer misinanın ucunu açın ve misinayı diğer halkadan geçirin. Misina makara kapağından yaklaşık 9 cm dışarı çıkmalıdır.
- ◆ Makara kapağındaki tırnakları muhafazadaki deliklerle (25) hizalayın.
- ◆ Kapağı, güvenli bir şekilde yerine geçene kadar muhafazanın üzerine bastırın.

Uyarı! Misinalar düzeltme bıçağının (10) ötesine uzuyorsa, misinaları sadece bıçağa ulaşacak şekilde kesin.

Yeni misinanın boş bir makaraya sarılması (Şekil K - O)

Boş bir makaraya yeni misinayı sarabilirsiniz.

Tek misinalı makara (Şekil K ve L)

Yedek misina paketlerini Black & Decker bayiinizden temin edebilirsiniz (kat. no. A6170 (25 m) & A6171 (40 m)).

- ◆ Boş makarayı, yukarıda belirtildiği gibi aletten çıkartın.
- ◆ Makarada kalan misinayı makaradan çıkartın.
- ◆ 2 cm kadar misinayı, gösterildiği gibi makaranın deliklerden (26) birine geçirin.
- ◆ Misinayı bükün ve L-biçimli deliğe (27) takın.
- ◆ Misinayı, ok (28) yönünde makaraya sarın. Misinayı, düzenli ve katmanlar halinde sarduğunuzdan emin olun. Çapraz sarmayın.
- ◆ Sarılmış misina oyuklara (29) ulaştığında misinayı kesin. Misinayı makaradan yaklaşık 9 cm çıkartın ve misinayı sabit tutmak için parmağınızla bastırın.
- ◆ Makarayı alete takmak için yukarıda belirtilen işlemleri uygulayın.

Uyarı! Yalnızca uygun tipte Black & Decker misina kullanın.

Çift misinalı makara (Şekil M - O)

Yedek misina paketlerini Black & Decker bayiinizden temin edebilirsiniz (kat. no. A6440).

- ◆ Boş makarayı, yukarıda belirtildiği gibi aletten çıkartın.
- ◆ Makarada kalan misinayı makaradan çıkartın.
- ◆ İlk önce yeni misinayı makaranın en üst kısmına sarın:
 - 2 cm kadar misinayı, gösterildiği gibi makaranın üst kısmındaki yuvalardan (30) birine geçirin.
 - Misinayı, ok (31) yönünde makaraya sarın. Misinayı, düzenli ve katmanlar halinde sarduğunuzdan emin olun. Çapraz sarmayın.
 - Sarılmış misina oyuklara (32) ulaştığında misinayı kesin.
 - Misinayı, gösterildiği gibi makaranın yan tarafındaki yuvalara (33) geçici olarak takın.
- ◆ Yukarıdaki işlemleri, makaranın alt kısmında ikinci misina için de tekrarlayın. Misinayı kullanılmamış (33) yuvalara takın.
- ◆ Makarayı alete takmak için yukarıda belirtilen işlemleri uygulayın. Misinayı geçici olarak taktığınız yuvalardan (33) çıkartmayı unutmayın.

Uyarı! Yalnızca uygun tipte Black & Decker misina kullanın. Makaranın her iki kısmında da misina bulunduğundan emin olun.

Arıza giderme

Aletinizin düzgün çalışmadığını düşünüyorsanız aşağıdaki talimatları izleyin. Bu, sorunu çözmezse lütfen en yakın Black & Decker yetkili servisiyle temas kurun.

Uyarı! Devam etmeden önce aleti kapatıp fişini çekin.

Alet çok yavaş çalışıyor

- ◆ Makara muhafazasının rahatça dönüp dönmediğini kontrol edin. Gerekirse dikkatli bir şekilde temizleyin.
- ◆ Misinanın, makara muhafazasından 11 cm'den fazla çıkıp çıkmadığını kontrol edin. Çıkıyorsa, sadece misina düzeltme bıçağına ulaşacak şekilde kesin.

Otomatik misina sistemi çalışmıyor

- ◆ Tırnakları basılı tutup makara kapağını muhafazadan çıkartın.
- ◆ Misinayı muhafazadan 11 cm çıkana kadar çekin. Makarada yeterince misina kalmamışsa, yukarıda belirtildiği gibi yeni bir misina makarası takın.
- ◆ Makara kapağındaki tırnakları muhafazadaki deliklerle hizalayın.
- ◆ Kapağı, güvenli bir şekilde yerine geçene kadar muhafazanın üzerine bastırın.
- ◆ Misina düzeltme bıçağıнын ötesine uzuyorsa misinayı sadece bıçağına ulaşacak şekilde kesin.

Otomatik misina sistemi hala çalışmıyorsa veya makara sıkışmışsa aşağıdaki önerileri deneyin:

- ◆ Makara kapağını ve muhafazayı dikkatli bir şekilde temizleyin.
- ◆ Makarayı çıkartın ve kolun serbestçe hareket etmediğini kontrol edin.
- ◆ Makarayı çıkartın ve misinayı çözün, ardından yukarıda açıklandığı gibi düzenli bir şekilde geri sarın. Makarayı belirtildiği gibi yerine yerleştirin.

Bakım

Black & Decker elektrikli/şarjlı aletiniz minimum bakımla uzun bir süre çalışacak şekilde tasarlanmıştır. Kesintisiz olarak memnuniyet verici bir şekilde çalışması gerekli özenin gösterilmesine ve düzenli temizliğe bağlıdır.

Uyarı! Elektrikli/şarjlı alet üzerinde herhangi bir bakım işlemi gerçekleştirmeden önce:

- ◆ Aleti kapatın ve fişten çekin.
- ◆ Ya da aletin çıkartılabilir aküsü varsa; aleti kapatın ve aküyü aletten çıkartın.
- ◆ Ya da aletin dahili aküsü varsa, bitene kadar çalıştırın ve sonra kapatın.

- ◆ Şarj cihazını temizlemeden önce fişten çekin. Şarj cihazınız, düzenli temizlik dışında herhangi bir bakım gerektirmemektedir.
- ◆ Aletinizdeki ve şarj cihazındaki havalandırma deliklerini yumuşak bir fırça veya kuru bir bezle düzenli olarak temizleyin.
- ◆ Motor muhafazasını düzenli olarak nemli bir bezle silin. Aşındırıcı veya çözücü bazlı temizleyiciler kullanmayın.

Çevrenin korunması



Ayrı olarak atın. Bu ürün, normal evsel atıklarla birlikte atılmamalıdır.

Black & Decker ürününüzün değiştirilmesi gerektiğini düşünmeniz veya artık kullanılamaz durumda olması halinde onu, evsel atıklarla birlikte atmayın. Bu ürünü, ayrı olarak toplanacak şekilde atın.



Kullanılmış ürünlerin ve ambalajların ayrı olarak toplanması bu maddelerin geri dönüşüme sokularak yeniden kullanılmasına olanak tanır. Geri dönüşümlü maddelerin tekrar kullanılması çevre kirliliğinin önlenmesine yardımcı olur ve ham madde ihtiyacını azaltır.

Yerel yönetmelikler, elektrikli ürünlerin evlerden toplanıp belediye atık tesislerine aktarılması veya yeni bir ürün satın alırken perakende satıcı tarafından toplanması yönünde hükümler içerebilir.

Black & Decker, hizmet ömrünün sonuna ulaşan Black & Decker ürünlerinin toplanması ve geri dönüşüme sokulması için bir imkan sunmaktadır. Bu hizmetin avantajlarından faydalanmak için, lütfen, ürününüzü bizim adımıza teslim alacak herhangi bir yetkili servise iade edin.

Bu kılavuzda belirtilen listeden size en yakın yetkili tamir servisinin yerini öğrenebilirsiniz. Ya da, alternatif olarak internet'ten Black & Decker yetkili tamir servislerinin listesini ve satış sonrası hizmetlerimizle ilgili tüm bilgiler ve temas bilgilerine aşağıdaki siteden ulaşabilirsiniz. www.2helpU.com

Teknik özellikleri

| | | GL280 TYPE 2 | GL301 TYPE 2 | GL315 TYPE 3 |
|---------------|-----------------|-----------------|-----------------|-----------------|
| Giriş voltajı | V _{AC} | 230 | 230 | 230 |
| Giriş gücü | W | 300 | 300 | 320 |
| Yüksüz hızı | dev/dak | 10.000 | 10.000 | 10.000 |
| Ağırlık | kg | 2,2 | 2,2 | 2,2 |

| | | GL337 TYPE 2 | GL350 TYPE 3 |
|---------------|-----------------|-----------------|-----------------|
| Giriş voltajı | V _{Ac} | 230 | 230 |
| Giriş gücü | W | 320 | 350 |
| Yüksüz hızı | dev/dak | 10.000 | 10.000 |
| Ağırlık | kg | 2,2 | 2,2 |

EN 786'ya göre el/kol ağırlıklı titreşim:
= 4 m/s², belirsizlik (K) = 1,5 m/s²

AT Uygunluk Beyanati

MAKİNE DİREKTİFİ
DIŞ MEKAN GÜRÜLTÜ DİREKTİFİ



GL280/GL301/GL315/GL337/GL350

Black & Decker, "teknik özellikleri" bölümünde açıklanan bu ürünlerin 2006/42/EC, EN 60335-1, EN 60335-2-91 normlarına uygun olduğunu beyan eder.

2000/14/EC, Misinalı çim biçme makinesi, L ≤ 50, Ek VIII

KEMA Quality B.V., Utrechtseweg 310, 6802 ED Arnhem, Hollanda

Onaylanmış kuruluş Kimlik No.: 0344

2000/14/EC (Madde 12, Ek III, L ≤ 50 cm)'e göre ölçülen ses basıncı düzeyi:

L_{WA} (akustik güç) 95 dB(A)

Belirsizlik (K) = 3 dB(A)

L_{WA} (garantili) 96 dB(A)

Belirsizlik (K) = 3 dB(A)

Bu ürünler ayrıca 2004/108/EC Direktifine de uygundur. Daha fazla bilgi için, lütfen aşağıdaki adresten Black & Decker ile irtibata geçin veya kılavuzun arkasına bakın.

Bu belge altında imzası bulunan yetkili, teknik dosyanın derlenmesinden sorumludur ve bu beyanı Black & Decker adına vermiştir.

Kevin Hewitt

Başkan Yardımcısı, Global Mühendislik
Black & Decker Europe, 210 Bath Road, Slough,
Berkshire, SL1 3YD
İngiltere
31-03-2010

İngiltere patent başvuru numarası: 059745.6

Avrupa Topluluğu tasarım başvuru numaraları:
340385-0001 & 339544-0001

Garanti

Black & Decker, ürünün kalitesinden emindir ve bu yüzden kanunlarda belirtilen taleplerin üstünde bir garanti verir. Ayrıca bu garanti hiçbir şekilde garanti ile ilgili kanuni haklarınızı ihlal etmez ve haklarınızı hiç bir şekilde kısıtlamaz. İşbu garanti Avrupa Birliği'ne üye ülkeler ile Avrupa Serbest Ticaret Bölgesi sınırları dahilinde geçerlidir.

Eğer bir Black & Decker ürünü, satın alma tarihinden itibaren 24 ay içinde hatalı malzeme, işçilik ya da uygunsuzluk nedeniyle bozulursa, müşteriye mümkün olabilecek en az sorunu yaşatarak Black & Decker hatalı kısımları değiştirmeyi, adil bir şekilde aşınmış ve yıpranmış ürünleri tamir etmeyi veya değiştirmeyi garanti eder. Ancak bu belirtilenler şu durumlar dışında geçerlidir:

- ◆ Ürün ticari veya profesyonel amaçlarla kullanılmışsa veya kiraya verilmişse;
- ◆ Ürün yanlış veya amaç dışı kullanılmışsa;
- ◆ Ürün yabancı nesnelere, maddelere veya kaza sırasında zarar görmüşse;
- ◆ Yetkili tamir servisleri veya Black & Decker servis ekibinden başkası tarafından tamir edilmeye çalışılmışsa.

Garanti talebinde bulunmak için, satıcıya veya yetkili tamir servisine satın aldığınıza dair ispat sunmalısınız. Fatura ve garanti kartı gerekmektedir. Bu kullanım kılavuzunda belirtilen listeden size en yakın yetkili servis adresini öğrenebilirsiniz. Ya da, İnternet'ten Black & Decker yetkili tamir servislerinin listesini ve satış sonrası hizmet veren yetkililerin tam detaylarını www.2helpU.com sitesinden öğrenebilirsiniz.

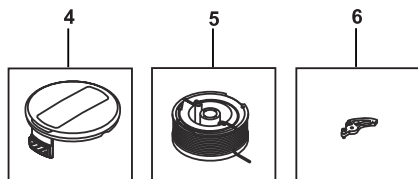
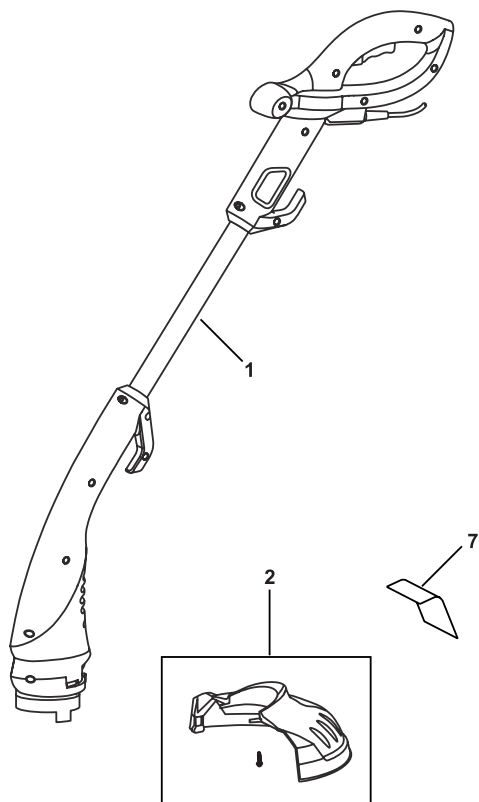
Sanayi ve Ticaret Bakanlığı tebliğince kullanım ömrü 10 yıldır.

Türkiye Distribütörü

KALE HIRDAVAT VE MAKİNA A.Ş.
Defterdar Mah. Savaklar Cad. No. 15
34050 Edirnekapı Eyüp İstanbul

| No. | İl | Yetkili Servis | Adres | Telefon |
|-----|------------------------|----------------------------------|--|----------------|
| 1 | Adana | Emin Elektrik | Kızılay Cad. 6.Sok. No.9/D | 0322 351 80 46 |
| 2 | Amasya | Teknik Bobinaj | Beyazıt Paşa Mah. Mehmet Vorinli Cad. No.20/B | 0358 218 26 82 |
| 3 | Ankara | Orhan Bobinaj | Yalınç Sok. No.17 Siteler | 0312 350 95 29 |
| 4 | Ankara | Yiğit Bobinaj | Merkez 668.Sok. Eminel Yapı Koop. No.8 İvedik Ostim | 0312 395 05 37 |
| 5 | Antalya | E.B.A. Elektrik | Sanayi Sitesi 682.Sok. No.38 | 0242 345 36 22 |
| 6 | Antalya - Alanya | Abaloğlu Bobinaj | Sanayi Sitesi Yeni Yol Girişi No.8 | 0242 512 02 16 |
| 7 | Aydın | Tacıroğlu Bobinaj | 2.Sanayi Sitesi 3.Sok. No.55 | 0256 219 43 30 |
| 8 | Aydın - Kuşadası | Özgür Bobinaj | Kuşadası Sanayi Sitesi J.Blok No.13 | 0256 622 13 73 |
| 9 | Balıkesir | Tezger Bobinaj | Küçük Sanayi Bölgesi Dökmeciler Sok. No.15 | 0266 241 63 85 |
| 10 | Balıkesir - Bandırma | Küre Bobinaj | Atatürk Cad. No.104 Bandırma | 0266 718 46 79 |
| 11 | Balıkesir - Edremit | Özkan Bobinaj | Cennet Ayağı Mah. Demirbaş Sitesi A4-Bl. No.2/B | 0266 374 20 29 |
| 12 | Bursa | Vokart | Gazlılar Cad. Erikli Bahçe Sok. No.6/B | 0224 254 48 75 |
| 13 | Çanakkale | Kısacık Bobinaj | Namık Kemal Mah. Kaynak Sok. No.41 | 0286 217 96 71 |
| 14 | Çorum | Emek Bobinaj | Küçük Sanayi Sitesi 23.Cad. No.5/C Cami yanı | 0364 234 68 84 |
| 15 | Denizli | Örsler Bobinaj | Bakırlı Mah. 171.Sok. Sedef Çarşısı No.9-10 | 0258 261 42 74 |
| 16 | Diyarbakır | Çetsan Elektrik | İnönü Cad. Ziya Gökalp Sok. No.45 | 0412 237 29 04 |
| 17 | Düzce | Yıldız Makine | Burhaniye Mah. Gen. Kazım Sok. No.10 | 0380 514 70 56 |
| 18 | Edirne | Efe Bobinaj | Sanayi Sitesi 22.Blok No.5 | 0284 225 35 73 |
| 19 | Erzincan | Ümit Elektrik Makine | Sanayi Çarşısı 767.Sok. No.71 | 0446 224 08 01 |
| 20 | Eskişehir | Meriç Bobinaj | Akçağlan Mah. Meriç Sok. No.4/A | 0222 230 94 44 |
| 21 | Gaziantep | Karashaşin Bobinaj | Şenyurt Cad. No.35 Şahinbey | 0342 231 17 33 |
| 22 | İsparta | İşık Bobinaj | Piri Mehmet Mah. 107.Cad. No.5 | 0246 223 20 28 |
| 23 | İçel - Mersin | Şekerler Elektrik Bobinaj | Nusratiye Mah. 5005.Sok. No.20/A | 0324 336 70 98 |
| 24 | İçel - Mersin | Üniversal Bobinaj | Nusratiye Mah. Çiftçiler Cad. 68.Sok. No.19 | 0324 233 44 29 |
| 25 | İstanbul | AKEL Elektrik Servis Hiz. | Yukarı Dudullu Nato Yolu Cad. No.109B Ümraniye | 0216 540 53 54 |
| 26 | İstanbul | Fırat Dış Ticaret | Tersane Cad. Kut Han No.38 K.3 D.307-308 Karaköy | 0212 252 93 43 |
| 27 | İstanbul | Birlik Elektromekanik | Perpa Tic. Merkezi B.Blok Mavi Avlu Kat.4 No.318 Okmeydanı | 0212 222 94 18 |
| 28 | İstanbul | Kardeşler Bobinaj | Çağlayan Mah. Sinanpaşa Cad. No.5 Çağlayan | 0212 224 97 54 |
| 29 | İstanbul | Mert Elektrik Ltd. | İkitelli Org. Sanayi Demirciler Sitesi D2.Blok No.280 İkitelli | 0212 549 65 78 |
| 30 | İstanbul | SVS Teknik | İstasyon Cad. GLBTAŞ Sanayi Sitesi No.24 Kat 2 İçmeler Tuzla | 0216 446 69 39 |
| 31 | İstanbul | Tarık Makina Ltd. | Bağdat Cad. Adalı Sok. No.101/10 Maltepe | 0216 370 21 11 |
| 32 | İstanbul | Tekniker Bobinaj | Birlik Sanayi Sitesi 7.Cad. No.2 Beylikdüzü | 0212 875 19 31 |
| 33 | İzmir | Birlik Bobinaj | 2824 Sok. No.18 Halkapınar 1.Sanayi Sitesi | 0232 458 39 42 |
| 34 | İzmir | Boro Cıvata | 1203/2.Sok. No.B2 Gıda Çarşısı Yenışehir | 0232 469 80 70 |
| 35 | İzmir | Doruk Hırdavat | 1426.Sok. No.14 Hurdacılar Sitesi Doğanlar Bornova | 0232 478 14 12 |
| 36 | Kayseri | Akın Elektrik | Eski Sanayi Bölgesi 5.Cad. No.8 | 0352 336 41 23 |
| 37 | Kocaeli - Gebze | Gülsoy Elektrik | Menzilhane Cad. 1111.Sok. No.7 | 0262 646 92 49 |
| 38 | Kocaeli - İzmit | Efe Elektrik Bobinaj | Körfez Küçük Sanayi Sitesi 12.Blok No.13 | 0262 335 18 94 |
| 39 | Konya | Murat Bobinaj | Karatay Sanayi Çiçekli Sok. No.83 | 0332 235 64 63 |
| 40 | Konya | Sözener Bobinaj | Fevzi Çakmak Mah. Komsan İş Mer. 10562 Sok. No.62 | 0332 342 63 18 |
| 41 | Kütahya | Doğan Bobinaj | Yeni Sanayi Sitesi 19.Sok. No.28/1 | 0274 231 22 00 |
| 42 | Malatya | Özer Bobinaj | Yeni Sanayi Sitesi 2.Cad. No.95 | 0422 336 39 53 |
| 43 | Muğla - Bodrum | Bodrum Makine | Türkuyusu Mah. Etem Demiröz Sok. Sanayi Sitesi 12 | 0252 316 28 51 |
| 44 | Muğla - Marmaris | Başaran Teknik | Beldibi Cad. No.5/C | 0232 412 85 11 |
| 45 | Neşehir | Çiftgüç Elektrik | Yeni Sanayi Sitesi 8.Blok No.53 | 0384 213 19 96 |
| 46 | Sakarya - Adapazarı | Engin El. Bobinaj | Papuççular Mah. Papuççular Cad. No.40 | 0264 273 87 69 |
| 47 | Samsun | Akış Bobinaj | Sanayi Sitesi Ulus Cad. No.31B | 0362 238 07 23 |
| 48 | Sivas | Bayraktar Elektrik | Yeni Çarşı No.72C | 0346 221 47 55 |
| 49 | Tekirdağ - Çorlu | Ümit Elektrik | Camiatik Mah. Ereğli Sok. No.1 | 0282 653 27 77 |
| 50 | Tokat | Çetin Elektrik | Sanayi Sitesi No.22 Cami Altı | 0356 214 63 07 |
| 51 | Trabzon | Makina Market | Rize Cad. No.71 Değirmendere | 0462 328 14 80 |
| 52 | Uşak | Zengin Bobinaj | İsliçe Mah. Ürem Sok. No.10/C | 0276 227 27 46 |
| 53 | Yalova | Kale İnşaat | Merkez Mah. Devlet Yolu Cad. No.70 Paytazdere Yalova | 0226 461 22 42 |
| 54 | Zonguldak - KDZ Ereğli | Tümen Bobinaj | Kışla Sanayi Sitesi D.Blok No.17 | 0372 323 74 97 |

Partial support - Only parts shown available
Nur die aufgeführten Teile sind lieferbar
Reparation partielle - Seules les pieces indiquees sont disponibles
Supporto parziale - Sono disponibili soltanto le parti evidenziate
Solo estan disponibles las peizas listadas
So se encontram disponiveis as pecas listadas
Gedeeltelijke ondersteuning - alleen de getoonde onderdelen
zijn beschikbaar



Partial support - Only parts shown available
Nur die aufgeführten teile sind lieferbar
Reparation partielle - Seules les pieces indiquees sont disponibles
Supporto parziale - Sono disponibili soltanto le parti evidenziate
Solo estan disponibles las peizas listadas
So se encontram disponiveis as pecas listadas
Gedeeltelijke ondersteuning - alleen de getoonde onderdelen
zijn beschikbaar

