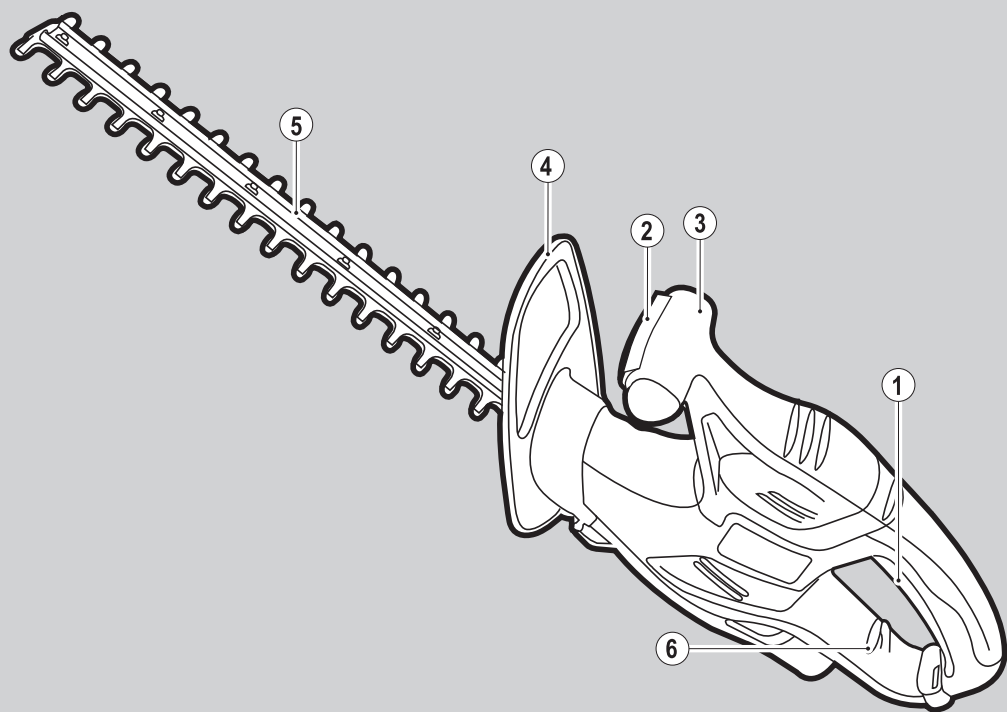


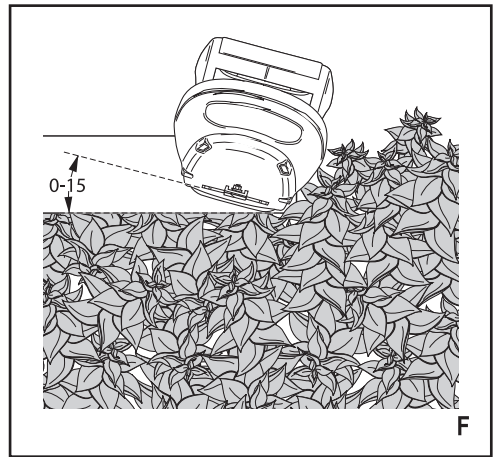
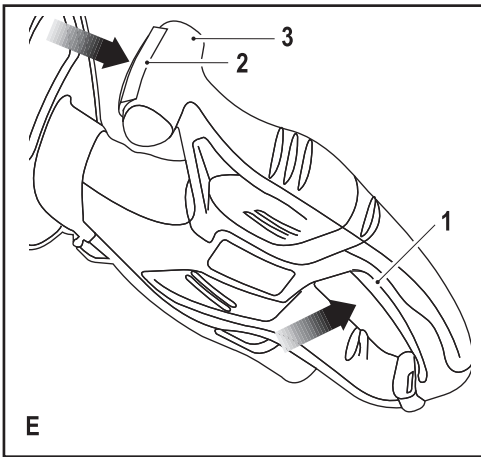
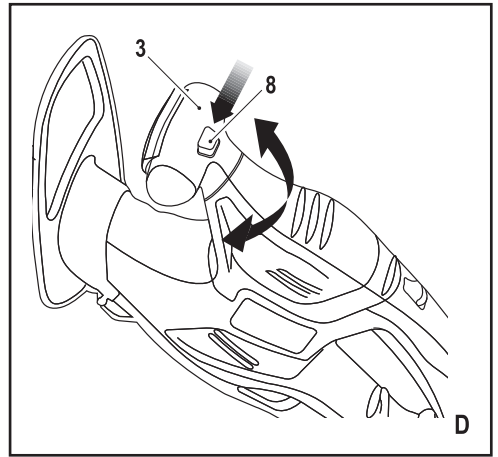
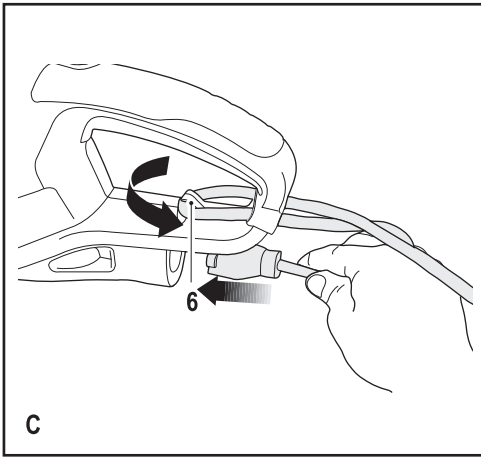
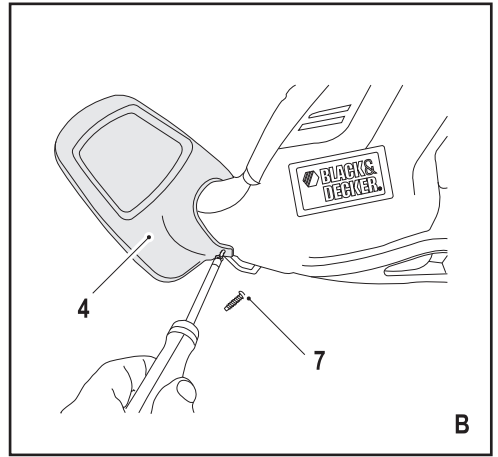
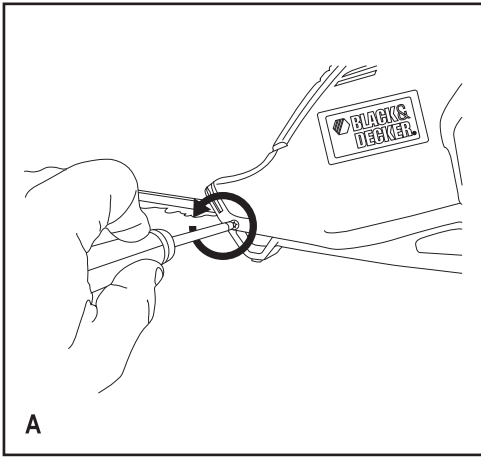
**BLACK&DECKER®**

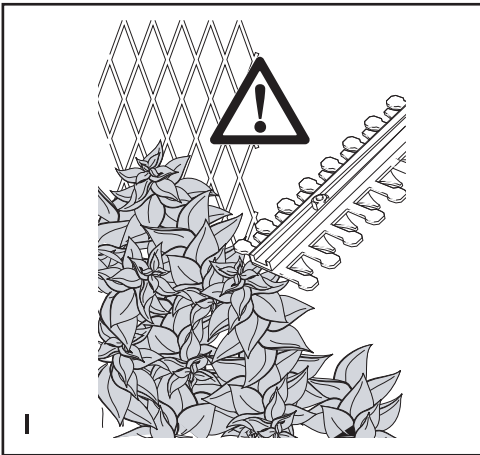
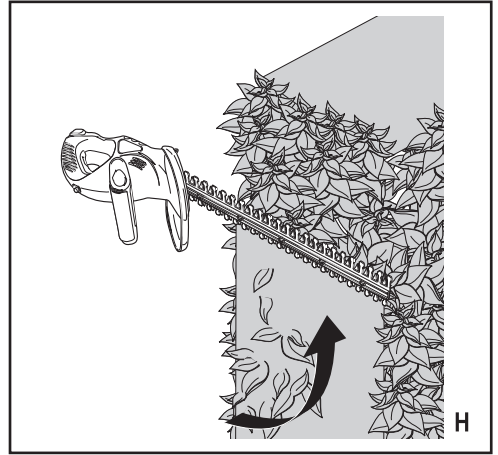
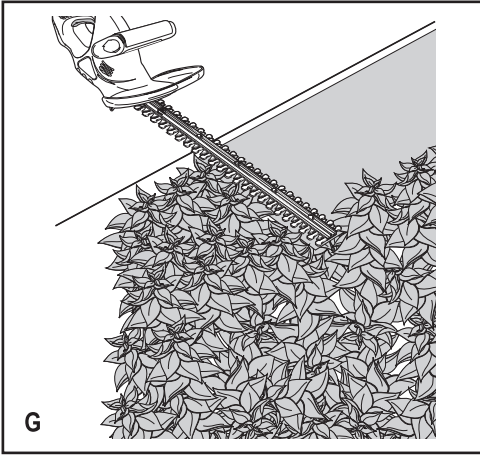


[www.blackanddecker.eu](http://www.blackanddecker.eu)

**GT4245**  
**GT4550**

<b>English</b>	<b>(Original instructions)</b>	<b>5</b>
<b>Deutsch</b>	<b>(Übersetzung der Originalanleitung)</b>	<b>11</b>
<b>Français</b>	<b>(Traduction des instructions d'origine)</b>	<b>18</b>
<b>Česky</b>	<b>(Přeloženo z původního návodu)</b>	<b>25</b>
<b>Magyar</b>	<b>(Fordítás az eredeti kezelési utasítás alapján készült)</b>	<b>32</b>
<b>Polski</b>	<b>(Tłumaczenie oryginalnej instrukcji)</b>	<b>40</b>
<b>Slovenčina</b>	<b>(Preložené z pôvodného návodu)</b>	<b>48</b>
<b>Русский язык</b>	<b>(Перевод с оригинала инструкции)</b>	<b>55</b>
<b>Українська</b>	<b>(Переклад оригінальних інструкцій)</b>	<b>64</b>
<b>Türkçe</b>	<b>(Çevirisi orijinal talimatlardan yapılmıştır)</b>	<b>72</b>





## Intended use

Your Black & Decker hedgetrimmer has been designed for trimming hedges, shrubs and brambles. This tool is intended for consumer use only.

## Safety instructions

### General power tool safety warnings



**Warning!** Read all safety warnings and all instructions. Failure to follow the warnings and instructions listed below may result in electric shock, fire and/or serious injury.

**Save all warnings and instructions for future reference.** The term “power tool” in the warnings refers to your mains operated (corded) power tool or battery operated (cordless) power tool.

1. **Work area safety**
  - a. **Keep work area clean and well lit.** Cluttered or dark areas invite accidents.
  - b. **Do not operate power tools in explosive atmospheres, such as in the presence of flammable liquids, gases or dust.** Power tools create sparks which may ignite the dust or fumes.
  - c. **Keep children and bystanders away while operating a power tool.** Distractions can cause you to lose control.
2. **Electrical safety**
  - a. **Power tool plugs must match the outlet. Never modify the plug in any way. Do not use any adapter plugs with earthed (grounded) power tools.** Unmodified plugs and matching outlets will reduce risk of electric shock.
  - b. **Avoid body contact with earthed or grounded surfaces such as pipes, radiators, ranges and refrigerators.** There is an increased risk of electric shock if your body is earthed or grounded.
  - c. **Do not expose power tools to rain or wet conditions.** Water entering a power tool will increase the risk of electric shock.
  - d. **Do not abuse the cord. Never use the cord for carrying, pulling or unplugging the power tool. Keep cord away from heat, oil, sharp edges or moving parts.** Damaged or entangled cords increase the risk of electric shock.
  - e. **When operating a power tool outdoors, use an extension cord suitable for outdoor use.** Use of a cord suitable for outdoor use reduces the risk of electric shock.
- f. **If operating a power tool in a damp location is unavoidable, use a residual current device (RCD) protected supply.** Use of an RCD reduces the risk of electric shock.
3. **Personal safety**
  - a. **Stay alert, watch what you are doing and use common sense when operating a power tool. Do not use a power tool while you are tired or under the influence of drugs, alcohol or medication.** A moment of inattention while operating power tools may result in serious personal injury.
  - b. **Use personal protective equipment. Always wear eye protection.** Protective equipment such as dust mask, non-skid safety shoes, hard hat, or hearing protection used for appropriate conditions will reduce personal injuries.
  - c. **Prevent unintentional starting. Ensure the switch is in the off-position before connecting to power source and/or battery pack, picking up or carrying the tool.** Carrying power tools with your finger on the switch or energising power tools that have the switch on invites accidents.
  - d. **Remove any adjusting key or wrench before turning the power tool on.** A wrench or a key left attached to a rotating part of the power tool may result in personal injury.
  - e. **Do not overreach. Keep proper footing and balance at all times.** This enables better control of the power tool in unexpected situations.
  - f. **Dress properly. Do not wear loose clothing or jewellery. Keep your hair, clothing and gloves away from moving parts.** Loose clothes, jewellery or long hair can be caught in moving parts.
  - g. **If devices are provided for the connection of dust extraction and collection facilities, ensure these are connected and properly used.** Use of dust collection can reduce dust-related hazards.
4. **Power tool use and care**
  - a. **Do not force the power tool. Use the correct power tool for your application.** The correct power tool will do the job better and safer at the rate for which it was designed.
  - b. **Do not use the power tool if the switch does not turn it on and off.** Any power tool that cannot be controlled with the switch is dangerous and must be repaired.

- c. **Disconnect the plug from the power source and/or the battery pack from the power tool before making any adjustments, changing accessories, or storing power tools.** Such preventive safety measures reduce the risk of starting the power tool accidentally.
  - d. **Store idle power tools out of the reach of children and do not allow persons unfamiliar with the power tool or these instructions to operate the power tool.** Power tools are dangerous in the hands of untrained users.
  - e. **Maintain power tools. Check for misalignment or binding of moving parts, breakage of parts and any other condition that may affect the power tools operation. If damaged, have the power tool repaired before use.** Many accidents are caused by poorly maintained power tools.
  - f. **Keep cutting tools sharp and clean.** Properly maintained cutting tools with sharp cutting edges are less likely to bind and are easier to control.
  - g. **Use the power tool, accessories and tool bits etc. in accordance with these instructions, taking into account the working conditions and the work to be performed.** Use of the power tool for operations different from those intended could result in a hazardous situation.
- 5. Service**
- a. **Have your power tool serviced by a qualified repair person using only identical replacement parts.** This will ensure that the safety of the power tool is maintained.

## Additional power tool safety warnings



**Warning!** Additional safety warnings for hedge trimmers

- ◆ **Keep all parts of the body away from the cutter blade. Do not remove cut material or hold material to be cut when blades are moving. Make sure the switch is off when clearing jammed material.** A moment of inattention while operating the tool can result in serious personal injury.
- ◆ **Carry the hedge trimmer by the handle with the cutter blade stopped. When transporting or storing the hedge trimmer always fit the cutting device cover.** Proper handling of the hedge trimmer will reduce possible personal injury from the cutter blades.
- ◆ **Hold the power tool by insulated gripping surfaces only, because the cutter blade may contact hidden wiring or its own cord.** Cutter blades contacting a “live” wire may make exposed metal parts of the power tool “live” and could give the operator an electric shock.
- ◆ **Keep cable away from cutting area.** During operation the cable can be hidden in shrubs and can be accidentally cut the blades.
- ◆ The intended use is described in this instruction manual. The use of any accessory or attachment or performance of any operation with this tool other than those recommended in this instruction manual can present a risk of personal injury and/or damage to property.
- ◆ If you have not used a hedge trimmer before, preferably seek practical instruction by an experienced user in addition to studying this manual.
- ◆ Never touch the blades while the tool is running.
- ◆ Never attempt to force the blades to come to a standstill.
- ◆ Do not put the tool down until the blades have come to a complete standstill.
- ◆ Regularly check the blades for damage and wear. Do not use the tool when the blades are damaged.
- ◆ Take care to avoid hard objects (e.g. metal wire, railings) when trimming. Should you accidentally hit any such object, immediately switch the tool off and check for any damage.
- ◆ Should the tool start to vibrate abnormally, immediately switch it off and disconnect it from the mains supply then check for any damage.
- ◆ If the tool stalls, immediately switch it off. Disconnect it from the mains supply before attempting to remove any obstructions.
- ◆ After use, place the blade sheath supplied over the blades. Store the tool, making sure that the blade is not exposed.
- ◆ Always ensure that all guards are fitted when using the tool. Never attempt to use an incomplete tool or a tool with unauthorised modifications.
- ◆ Never allow children to use the tool.
- ◆ Be aware of falling debris when cutting the higher sides of a hedge.
- ◆ Always hold the tool with both hands and by the handles provided.

## Safety of others

- ◆ This appliance is not intended for use by persons (including children) with reduced physical, sensory or mental capabilities, or lack of experience and knowledge, unless they have been given supervision or instruction concerning use of the appliance by a person responsible for their safety.
- ◆ Children should be supervised to ensure that they do not play with the appliance.

## Residual risks.

Additional residual risks may arise when using the tool which may not be included in the enclosed safety warnings. These risks can arise from misuse, prolonged use etc.

Even with the application of the relevant safety regulations and the implementation of safety devices, certain residual risks can not be avoided. These include:

- ◆ Injuries caused by touching any rotating/moving parts.
- ◆ Injuries caused when changing any parts, blades or accessories.
- ◆ Injuries caused by prolonged use of a tool. When using any tool for prolonged periods ensure you take regular breaks.
- ◆ Impairment of hearing.
- ◆ Health hazards caused by breathing dust developed when using your tool (example: - working with wood, especially oak, beech and MDF.)

## Vibration

The declared vibration emission values stated in the technical data and the declaration of conformity have been measured in accordance with a standard test method provided by EN 60745 and may be used for comparing one tool with another. The declared vibration emission value may also be used in a preliminary assessment of exposure.

**Warning!** The vibration emission value during actual use of the power tool can differ from the declared value depending on the ways in which the tool is used. The vibration level may increase above the level stated.

When assessing vibration exposure to determine safety measures required by 2002/44/EC to protect persons regularly using power tools in employment, an estimation of vibration exposure should consider, the actual conditions of use and the way the tool is used, including taking account of all parts of the operating cycle such as the

times when the tool is switched off and when it is running idle in addition to the trigger time.

## Labels on tool

The following pictograms are shown on the tool:



**Warning!** To reduce the risk of injury, the user must read the instruction manual.



Wear safety glasses or goggles when operating this tool.



Wear ear protection when operating this tool.



Immediately disconnect the cable from the mains if it is damaged or cut.



Do not expose the tool to rain or high humidity.



Directive 2000/14/EC guaranteed sound power.

## Electrical safety



This tool is double insulated; therefore no earth wire is required. Always check that the power supply corresponds to the voltage on the rating plate.

- ◆ If the supply cord is damaged, it must be replaced by the manufacturer or an authorised Black & Decker Service Centre in order to avoid a hazard.
- ◆ When using the tool outdoors, only use extension cables intended for outdoor use. A suitable rated Black & Decker extension cable of up to 30 m can be used without loss of power.
- ◆ Electric safety can be further improved by using a high-sensitivity 30 mA residual current device (RCD).

## Features

This tool includes some or all of the following features.

1. Trigger switch
2. Front handle switch
3. Front handle
4. Guard
5. Blade
6. Cable restraint

## Assembly

**Warning!** Before assembly, make sure that the tool is switched off and unplugged and that the blade sheath is fitted over the blades.

## Fitting the guard (fig. A & B)

- ◆ Remove the two partially inserted screws from the body of the tool.
- ◆ Locate the guard (4) into the grooves.
- ◆ Secure the guard using the two screws (7) supplied.

**Warning!** Never use the tool without the guard.

## Connecting the tool to the mains (fig. C)

Unless the tool is fitted with a mains cable, you will need to connect an extension cable to the power inlet.

- ◆ Connect the female socket of a suitable extension cable to the power inlet of the tool.
- ◆ Loop the cable through the cable restraint (6) as shown to prevent the extension cable from becoming detached during use.
- ◆ Insert the mains plug into a mains outlet.

**Warning!** The extension cable must be suitable for outdoor use. When using a cable reel, always unwind the cable completely.

## Use

**Warning!** Let the tool work at its own pace. Do not overload.

## Rotating the front handle (fig. D) (GT4550 Only)

For your comfort and convenience during use, the front handle can be rotated into 5 different positions.

- ◆ Press in the front handle rotate button (8).
- ◆ Rotate the front handle (3) to the required position.
- ◆ Release the front handle rotate button (8).

**Note:** It is not possible to rotate the front handle of the hedge trimmer whilst the hedge trimmer is running.

## Switching on and off

**Note:** For your safety, this tool is equipped with a double switching system. This system prevents starting the tool inadvertently and will only allow operation while holding the tool with both hands.

### Switching on (Fig. E)

- ◆ Take hold of the front handle (3) with one hand so that the front handle switch (2) is pushed into the body of the front handle.
- ◆ With the other hand, squeeze the trigger switch (1) to start the tool.

### Switching off

- ◆ Release the handle switch (2) or the trigger switch (1).

**Warning!** Never attempt to lock a switch in the on position.

## Hints for optimum use

- ◆ Start by trimming the top of the hedge. Slightly tilt the tool (up to 15° relative to the line of cut) so that the blade tips point slightly towards the hedge (fig. F). This will cause the blades to cut more effectively. Hold the tool at the desired angle and move it steadily along the line of cut. The double-sided blade allows you to cut in either direction.
- ◆ In order to obtain a very straight cut, stretch a piece of string along the length of the hedge at the desired height. Use the string as a guideline, cutting just above it (fig. G).
- ◆ In order to obtain flat sides, cut upwards with the growth. Younger stems move outwards when the blade cuts downwards, causing shallow patches in the hedge (fig. H).
- ◆ Take care to avoid any foreign objects. Especially avoid hard objects such as metal wire and railings, as these could damage the blades (fig. I).
- ◆ Regularly oil the blades.

## Guidelines for trimming

- ◆ Trim hedges and shrubs with seasonal leaves (new leaves every year) in June and October.
- ◆ Trim evergreens in April and August.
- ◆ Trim conifers and other fast growing shrubs every six weeks from May until October.

## Guidelines for trimming (Australia & New Zealand)

- ◆ Trim hedges and shrubs with seasonal leaves (new leaves every year) in December and March.
- ◆ Trim evergreens in September and February.
- ◆ Trim conifers and other fast growing shrubs every six weeks from October until March.

## Accessories

The performance of your tool depends on the accessory used. Black & Decker and Piranha accessories are engineered to high quality standards and designed to enhance the performance of your tool. By using these accessories you will get the very best from your tool.

Lubrication oil is available from your Black & Decker dealer (cat. no. A6102-XJ).



## Maintenance

Your Black & Decker corded/cordless appliance/tool has been designed to operate over a long period of time with a minimum of maintenance. Continuous satisfactory operation depends upon proper tool care and regular cleaning.

**Warning!** Before performing any maintenance on corded/cordless power tools:

- ◆ Switch off and unplug the appliance/tool.
- ◆ Or switch off and remove the battery from the appliance/tool if the appliance/tool has a separate battery pack.
- ◆ Or run the battery down completely if it is integral and then switch off.
- ◆ Unplug the charger before cleaning it. Your charger does not require any maintenance apart from regular cleaning.
- ◆ Regularly clean the ventilation slots in your appliance/tool/charger using a soft brush or dry cloth.
- ◆ Regularly clean the motor housing using a damp cloth. Do not use any abrasive or solvent-based cleaner.
- ◆ After use, carefully clean the blades. After cleaning, apply a film of light machine oil to prevent the blades from rusting.

## Mains plug replacement (U.K. & Ireland only)

If a new mains plug needs to be fitted:

- ◆ Safely dispose of the old plug.
- ◆ Connect the brown lead to the live terminal in the new plug.
- ◆ Connect the blue lead to the neutral terminal.

**Warning!** No connection is to be made to the earth terminal. Follow the fitting instructions supplied with good quality plugs. Recommended fuse: 5 A.

## Protecting the environment



Separate collection. This product must not be disposed of with normal household waste.

Should you find one day that your Black & Decker product needs replacement, or if it is of no further use to you, do not dispose of it with household waste. Make this product available for separate collection.



Separate collection of used products and packaging allows materials to be recycled and used again. Re-use of recycled materials helps prevent environmental pollution and reduces the demand for raw materials.

Local regulations may provide for separate collection of electrical products from the household, at municipal waste sites or by the retailer when you purchase a new product.

Black & Decker provides a facility for the collection and recycling of Black & Decker products once they have reached the end of their working life. To take advantage of this service please return your product to any authorised repair agent who will collect them on our behalf.

You can check the location of your nearest authorised repair agent by contacting your local Black & Decker office at the address indicated in this manual. Alternatively, a list of authorised Black & Decker repair agents and full details of our after-sales service and contacts are available on the Internet at: [www.2helpU.com](http://www.2helpU.com).

## Technical data

	GT4245 (Type 1)	GT4550 (Type 1)
Voltage	V <sub>AC</sub> 230	230
Power input	W 420	450
Blade strokes (no load)	min <sup>-1</sup> 1960	1815
Blade length	cm 45	50
Blade gap	mm 16	18
Blade brake time	s <1	<1
Weight	kg 2.1	2.4

### Level of sound pressure according to EN 60745:

Sound pressure (L<sub>pA</sub>) 73 dB(A), uncertainty (K) 3 dB(A),  
Sound power (L<sub>WA</sub>) 93 dB(A), uncertainty (K) 3 dB(A)

### Vibration total values (triax vector sum) according to EN 60745:

Vibration emission value (a<sub>h,D</sub>) 2.3 m/s<sup>2</sup>,  
uncertainty (K) 1.5 m/s<sup>2</sup>

## EC declaration of conformity

MACHINERY DIRECTIVE  
OUTDOOR NOISE DIRECTIVE



GT4245 / GT4550

Black & Decker declares that these products described under "technical data" are in compliance with: 2006/42/EC, EN 60745-1, EN 60745-2-15.

2000/14/EC, Hedge trimmer 1960 min<sup>-1</sup>, Annex V

Measured sound power (L <sub>PA</sub> )	93 dB(A)
Uncertainty (K)	3 dB(A)
Guaranteed sound power (L <sub>PA</sub> )	96 dB(A)
Uncertainty (K)	3 dB(A)

These products also comply with directive 2004/108/EC. For more information, please contact Black & Decker at the following address or refer to the back of the manual.

The undersigned is responsible for compilation of the technical file and makes this declaration on behalf of Black & Decker.

Kevin Hewitt  
Vice-President Global Engineering  
Black & Decker Europe, 210 Bath Road, Slough,  
Berkshire, SL1 3YD  
United Kingdom  
22/08/2011

## Guarantee

Black & Decker is confident of the quality of its products and offers an outstanding guarantee. This guarantee statement is in addition to and in no way prejudices your statutory rights. The guarantee is valid within the territories of the Member States of the European Union and the European Free Trade Area.

If a Black & Decker product becomes defective due to faulty materials, workmanship or lack of conformity, within 24 months from the date of purchase, Black & Decker guarantees to replace defective parts, repair products subjected to fair wear and tear or replace such products to ensure minimum inconvenience to the customer unless:

- ◆ The product has been used for trade, professional or hire purposes;

- ◆ The product has been subjected to misuse or neglect;
- ◆ The product has sustained damage through foreign objects, substances or accidents;
- ◆ Repairs have been attempted by persons other than authorised repair agents or Black & Decker service staff.

To claim on the guarantee, you will need to submit proof of purchase to the seller or an authorised repair agent. You can check the location of your nearest authorised repair agent by contacting your local Black & Decker office at the address indicated in this manual. Alternatively, a list of authorised Black & Decker repair agents and full details of our after-sales service and contacts are available on the Internet at: [www.2helpU.com](http://www.2helpU.com).

Please visit our website

[www.blackanddecker.co.uk](http://www.blackanddecker.co.uk) to register your new Black & Decker product and to be kept up to date on new products and special offers. Further information on the Black & Decker brand and our range of products is available at [www.blackanddecker.co.uk](http://www.blackanddecker.co.uk).

## Bestimmungsgemäße Verwendung

Ihre Black & Decker Heckenschere wurde zum Beschneiden von Hecken, Büschen und Sträuchern entwickelt. Dieses Gerät ist nicht für den gewerblichen Einsatz bestimmt.

## Sicherheitshinweise

### Allgemeine Sicherheitswarnungen für das Gerät



**Achtung!** Lesen Sie sämtliche Sicherheitswarnungen und Anweisungen. Die Nichteinhaltung der nachstehend aufgeführten Warnungen und Anweisungen kann einen elektrischen Schlag, Brand und/oder schwere Verletzungen verursachen.

**Bewahren Sie alle Sicherheitswarnungen und Anweisungen gut auf.** Der Begriff „Gerät“ bezieht sich auf netzbetriebene Geräte (mit Netzkabel) und auf akkubetriebene Geräte (ohne Netzkabel).

1. **Sicherheit im Arbeitsbereich**
  - a. **Halten Sie Ihren Arbeitsbereich sauber, und sorgen Sie für ausreichende Beleuchtung.** Unordnung oder dunkle Arbeitsbereiche können zu Unfällen führen.
  - b. **Verwenden Sie die Geräte nicht in Umgebungen, in denen Explosionsgefahr z. B. aufgrund von brennbaren Flüssigkeiten, Gasen oder Staub besteht.** Geräte erzeugen Funken, die den Staub oder die Dämpfe entzünden können.
  - c. **Halten Sie Kinder und andere Personen während der Benutzung eines Geräts fern.** Bei Ablenkung können Sie die Kontrolle verlieren.
2. **Elektrische Sicherheit**
  - a. **Der Netzstecker des Geräts muss in die Steckdose passen. Der Stecker darf in keiner Weise verändert werden. Verwenden Sie für Schutzgeerdete Geräte keine Adapterstecker.** Unveränderte Stecker und passende Steckdosen verringern das Risiko eines elektrischen Schlags.
  - b. **Vermeiden Sie Körperkontakt mit geerdeten Oberflächen von Rohren, Heizungen, Herden und Kühlschränken.** Es besteht ein erhöhtes Risiko eines elektrischen Schlags, wenn Ihr Körper geerdet ist.
  - c. **Halten Sie Geräte von Regen und Feuchtigkeit fern.** Das Eindringen von Wasser in ein Gerät erhöht das Risiko eines elektrischen Schlags.
3. **Sicherheit von Personen**
  - a. **Verwenden Sie das Gerät aufmerksam und vernünftig. Benutzen Sie das Gerät nicht, wenn Sie müde sind oder unter dem Einfluss von Drogen, Alkohol oder Medikamenten stehen.** Ein Moment der Unachtsamkeit beim Gebrauch von Geräten kann zu ernsthaften Verletzungen führen.
  - b. **Verwenden Sie eine geeignete Schutzausrüstung. Tragen Sie stets eine Schutzbrille.** Schutzausrüstung wie Staubmaske, rutschfeste Sicherheitsschuhe, Schutzhelm oder Gehörschutz, je nach Art und Einsatz des Geräts, verringert das Risiko von Verletzungen.
  - c. **Vermeiden Sie eine unbeabsichtigte Inbetriebnahme. Vergewissern Sie sich, dass das Gerät ausgeschaltet ist, bevor Sie es an eine Steckdose oder einen Akku anschließen, es hochheben oder tragen.** Durch das Tragen des Geräts mit dem Finger am Schalter oder durch das Anschließen eingeschalteter Geräte werden Unfälle provoziert.
  - d. **Entfernen Sie Einstell- oder Schraubenschlüssel, bevor Sie das Gerät einschalten.** Ein Schlüssel in einem sich drehenden Teil kann zu Verletzungen führen.
  - e. **Beugen Sie sich nicht zu weit nach vorne über. Achten Sie auf einen sicheren**
- d. **Verwenden Sie das Kabel ordnungsgemäß. Verwenden Sie es niemals zum Tragen. Trennen Sie das Gerät nicht durch Ziehen am Kabel vom Netz. Halten Sie das Kabel fern von Hitze, Öl, scharfen Kanten oder sich bewegenden Teilen.** Beschädigte oder verwickelte Kabel erhöhen das Risiko eines elektrischen Schlags.
- e. **Verwenden Sie nur für den Außenbereich zugelassene Verlängerungskabel, wenn Sie mit dem Gerät im Freien arbeiten.** Die Verwendung eines für den Außenbereich geeigneten Verlängerungskabels verringert das Risiko eines elektrischen Schlags.
- f. **Wenn das Gerät in einer feuchten Umgebung verwendet werden muss, schließen Sie es unbedingt an eine Steckdose mit Fehlerstromschutzschalter (RCD).** Die Verwendung eines Fehlerstromschutzschalters verringert das Risiko eines elektrischen Schlags.

**Stand, um in jeder Arbeitsposition das Gleichgewicht zu halten.** Dadurch können Sie das Gerät in unerwarteten Situationen besser unter Kontrolle halten.

- f. **Tragen Sie geeignete Kleidung. Tragen Sie keine weite Kleidung oder Schmuck. Halten Sie Haare, Kleidung und Handschuhe fern von sich bewegenden Teilen.** Lockere Kleidung, Schmuck oder lange Haare können von sich bewegenden Teilen erfasst werden.
  - g. **Falls Staubabsaug- und -fangvorrichtungen vorhanden sind, vergewissern Sie sich, dass diese angeschlossen sind und richtig verwendet werden.** Das Verwenden einer Staubauffangvorrichtung verringert Gefährdungen durch Staub.
- 4. Gebrauch und Pflege von Geräten**
- a. **Überlasten Sie das Gerät nicht. Verwenden Sie das für Ihre Arbeit passende Gerät.** Durch das Arbeiten in dem für das Gerät angegebenen Leistungsbereich erzielen Sie nicht nur optimale Ergebnisse, Sie erhöhen auch die Sicherheit.
  - b. **Verwenden Sie das Gerät nicht, wenn der Ein-/Ausschalter nicht funktioniert.** Ein Gerät, das sich nicht mehr ein- oder ausschalten lässt, ist gefährlich und muss repariert werden.
  - c. **Ziehen Sie den Stecker aus der Steckdose, und/oder trennen Sie das Gerät vom Akku, bevor Sie Einstellungen vornehmen, Zubehörteile wechseln oder das Gerät lagern.** Diese Vorsichtsmaßnahme verhindert den unbeabsichtigten Start des Geräts.
  - d. **Bewahren Sie unbenutzte Geräte außerhalb der Reichweite von Kindern auf. Lassen Sie Geräte nicht von Personen benutzen, die damit nicht vertraut sind oder diese Anweisungen nicht gelesen haben.** Geräte sind gefährlich, wenn sie von unerfahrenen Personen benutzt werden.
  - e. **Halten Sie Geräte in einem einwandfreien Zustand. Kontrollieren Sie, ob bewegliche Teile falsch ausgerichtet sind oder klemmen und ob Teile gebrochen oder so beschädigt sind, dass die Funktion des Geräts beeinträchtigt ist. Lassen Sie beschädigte Geräte vor dem Gebrauch reparieren.** Viele Unfälle haben ihre Ursache in schlecht gewarteten Geräten.
  - f. **Halten Sie Schneidwerkzeuge scharf und sauber. Sorgfältig gepflegte**

Schneidwerkzeuge mit scharfen Schneidkanten verkleben sich seltener und sind leichter zu führen.

- g. **Verwenden Sie Gerät, Zubehör, Einsatz-Bits usw. entsprechend diesen Anweisungen, und berücksichtigen Sie dabei die Arbeitsbedingungen und die auszuführende Arbeit.** Der Gebrauch von Geräten für andere als die vorgesehenen Anwendungen kann zu gefährlichen Situationen führen.
- 5. Service**
- a. **Lassen Sie das Gerät nur von qualifiziertem Fachpersonal und nur mit Originalersatzteilen reparieren.** So wird gewährleistet, dass die Sicherheit des Geräts erhalten bleibt.

## Zusätzliche Sicherheitswarnungen für das Gerät



**Achtung!** Zusätzliche Sicherheitswarnungen für Heckenscheren

- ◆ **Halten Sie alle Körperteile von den Messern fern. Versuchen Sie nicht, Schnittmaterial zu entfernen oder festzuhalten, wenn die Messer in Bewegung sind. Stellen Sie beim Entfernen von eingeklemmtem Material sicher, dass das Gerät ausgeschaltet ist.** Ein Moment der Unachtsamkeit beim Gebrauch des Geräts kann zu ernsthaften Verletzungen führen.
- ◆ **Tragen Sie die Heckenschere stets mit angehaltenen Messern am Griff. Bringen Sie beim Transport bzw. bei der Lagerung der Heckenschere stets die Messerabdeckung an.** Der sachgemäße Umgang mit der Heckenschere verringert das Risiko von Verletzungen durch die Schnittmesser.
- ◆ **Halten Sie das Gerät ausschließlich an den isolierten Griffflächen, da das Messer mit verdeckten Kabeln oder dem Gerätekabel in Berührung kommen könnte.** Der Kontakt von Messern mit stromführenden Leitungen kann offen liegende Metallteile am Gerät unter Strom setzen und zu einem Stromschlag führen.
- ◆ **Halten Sie das Kabel von der Schneidzone fern.** Während des Betriebs wird das Kabel möglicherweise von Zweigen verdeckt und kann unbeabsichtigt von den Messern beschädigt werden.

- ◆ In dieser Anleitung ist die bestimmungsgemäße Verwendung beschrieben. Die Verwendung von Zubehör oder Anbauteilen, die nicht in dieser Anleitung empfohlen sind, sowie die Bedienung des Geräts in Abweichung von den in dieser Anleitung beschriebenen Verfahren kann zu Verletzungen und/oder Sachschäden führen.
- ◆ Wenn Sie nicht bereits zuvor mit einer Heckenschere gearbeitet haben, sollten Sie sich zusätzlich zum Lesen dieser Anleitung von einem erfahrenen Benutzer in den Gebrauch einweisen lassen.
- ◆ Berühren Sie niemals die Klingen, wenn sich das Gerät in Betrieb befindet.
- ◆ Versuchen Sie nie, die Messer mit Gewalt zum Stillstand zu bringen.
- ◆ Schalten Sie das Gerät erst ab, nachdem die Messer vollständig zum Stillstand gekommen sind.
- ◆ Überprüfen Sie die Messer regelmäßig auf Beschädigungen und Abnutzung. Verwenden Sie das Gerät nicht, wenn die Messer beschädigt sind.
- ◆ Achten Sie bei der Arbeit auf harte Objekte (z. B. Metalldrähte oder Geländer). Wenn das Gerät versehentlich in Kontakt mit einem solchen Objekt kommt, schalten Sie es unverzüglich aus, und prüfen Sie das Gerät auf eventuelle Schäden.
- ◆ Schalten Sie das Gerät unverzüglich aus, wenn Sie ungewöhnliche Vibrationen bemerken, entfernen Sie es vom Netzanschluss, und prüfen Sie das Gerät anschließend auf eventuelle Schäden.
- ◆ Schalten Sie das Gerät unverzüglich aus, wenn es blockiert. Entfernen Sie es vom Netzanschluss bevor Sie versuchen Fremdkörper zu entfernen.
- ◆ Bringen Sie nach dem Gebrauch den mitgelieferten Messerschutz an. Lagern Sie das Gerät nicht mit ungeschützten Klingen.
- ◆ Stellen Sie bei Gebrauch stets sicher, dass alle Schutzvorrichtungen angebracht sind. Verwenden Sie auf keinen Fall ein unvollständiges Gerät bzw. ein Gerät, an dem unsachgemäße Änderungen vorgenommen wurden.
- ◆ Das Gerät darf auf keinen Fall von Kindern verwendet werden.
- ◆ Achten Sie beim Schneiden von höheren Heckenbereichen auf herabfallendes Schnittmaterial.
- ◆ Halten Sie das Gerät stets mit beiden Händen an den jeweiligen Griffen.

## Sicherheit anderer Personen

- ◆ Dieses Gerät darf nicht von Personen (einschließlich Kindern) mit eingeschränkten körperlichen, sensorischen oder geistigen Fähigkeiten sowie mangelnder Erfahrung und Kenntnissen bedient werden, es sei denn, sie werden bei der Verwendung des Geräts von einer erfahrenen Person beaufsichtigt oder angeleitet.
- ◆ Kinder müssen beaufsichtigt werden, um sicherzustellen, dass sie nicht mit dem Gerät spielen.

## Restrisiken.

Für den Gebrauch dieses Geräts verbleiben zusätzliche Restrisiken, die möglicherweise nicht in den Sicherheitswarnungen genannt werden. Diese Risiken bestehen beispielsweise bei Missbrauch oder längerem Gebrauch. Auch bei der Einhaltung der entsprechenden Sicherheitsvorschriften und der Verwendung aller Sicherheitsgeräte bestehen weiterhin bestimmte Restrisiken. Diese werden im Folgenden aufgeführt:

- ◆ Das Berühren von sich drehenden/ bewegenden Teilen kann Verletzungen zur Folge haben.
- ◆ Der Austausch von Teilen, Messern oder Zubehör kann Verletzungen zur Folge haben.
- ◆ Der längere Gebrauch eines Geräts kann Verletzungen zur Folge haben. Legen Sie bei längerem Gebrauch regelmäßige Pausen ein.
- ◆ Beeinträchtigung des Gehörs.
- ◆ Gesundheitsrisiken durch das Einatmen von Staub beim Gebrauch des Geräts (beispielsweise bei Holzarbeiten, insbesondere Eiche, Buche und Pressspan).

## Vibration

Die in den Abschnitten „Technische Daten“ und „EG-Konformitätserklärung“ angegebenen Werte für die Vibrationsemission wurden mit einer Standard-Prüfmethode nach EN 60745 ermittelt und können zum Vergleich verschiedener Geräte herangezogen werden. Außerdem kann mit Hilfe dieses Werts die Belastung bei Verwendung des Geräts schon im Voraus eingeschätzt werden.

**Achtung!** Die bei Verwendung des Geräts auftretende Vibrationsemission hängt von der Art des Gerätegebrauchs ab und kann dementsprechend von dem angegebenen Wert abweichen. Gegebenenfalls kann die Vibration über dem angegebenen Wert liegen.

Für die Ermittlung der Vibrationsbelastung müssen die tatsächlichen Einsatzbedingungen und Verwendungen des Geräts während des gesamten Arbeitsgangs berücksichtigt werden, einschließlich der Zeiten, wenn das Gerät nicht verwendet oder im Leerlauf betrieben wird. Diese Werte werden benötigt, um die gemäß 2002/44/EG erforderlichen Sicherheitsmaßnahmen zum Schutz von Personen festlegen zu können.

## Warnsymbole am Gerät

Am Gerät sind folgende Warnsymbole angebracht:



**Achtung!** Lesen Sie vor Gebrauch die Anleitung. Andernfalls besteht Verletzungsgefahr.



Tragen Sie eine Schutzbrille, wenn Sie mit dem Gerät arbeiten.



Tragen Sie einen Gehörschutz, wenn Sie mit dem Gerät arbeiten.



Ziehen Sie den Netzstecker sofort aus der Steckdose, wenn das Kabel beschädigt oder durchtrennt wurde.



Schützen Sie das Gerät vor Feuchtigkeit und Regen.



Garantierter Schalldruckpegel, gemessen nach Richtlinie 2000/14/EG.

## Elektrische Sicherheit



Dieses Gerät ist schutzisoliert, daher ist keine Erdleitung erforderlich. Überprüfen Sie stets, ob die Netzspannung der auf dem Typenschild des Geräts angegebenen Spannung entspricht.

- ◆ Ist das Netzkabel beschädigt, muss es durch den Hersteller oder eine Black & Decker Vertragswerkstatt ausgetauscht werden, um eine mögliche Gefährdung zu vermeiden.
- ◆ Verwenden Sie geeignete Verlängerungskabel, wenn Sie mit dem Gerät im Freien arbeiten. Bei geeigneten Kabeln von Black & Decker treten bis 30 m Kabellänge keine Leistungsverluste auf.
- ◆ Die elektrische Sicherheit lässt sich durch Verwendung eines Fehlerstromschutzschalters (30 mA) erhöhen.

## Merkmale

Dieses Gerät verfügt über einige oder alle der folgenden Merkmale:

1. Auslöser

2. Vorderer Handgriffschalter
3. Vorderer Handgriff
4. Schutzvorrichtung
5. Messer
6. Kabelhalterung

## Montage

**Achtung!** Stellen Sie vor der Montage sicher, dass das Gerät ausgeschaltet, der Netzstecker gezogen und der Messerschutz angebracht ist.

## Anbringen der Schutzvorrichtung (Abb. A & B)

- ◆ Entfernen Sie die zwei teilweise eingesetzten Schrauben vom Gehäuse des Geräts.
- ◆ Setzen Sie die Schutzvorrichtung (4) in die Kerben ein.
- ◆ Befestigen Sie die Schutzvorrichtung mithilfe der beiden mitgelieferten Schrauben (7).

**Achtung!** Verwenden Sie das Gerät nie ohne Schutzvorrichtung.

## Anschließen des Geräts an die Netzstromversorgung (Abb. C)

Wenn das Gerät nicht mit einem Netzkabel ausgestattet ist, müssen Sie am Netzanschluss ein Verlängerungskabel anbringen.

- ◆ Verbinden Sie das mit der Buchse versehene Ende eines geeigneten Verlängerungskabels mit dem Netzanschluss des Geräts.
- ◆ Bringen Sie das Kabel wie abgebildet an der Kabelführung (6) an, um zu verhindern, dass sich das Kabel während des Gebrauchs löst.
- ◆ Stecken Sie den Netzstecker in die Steckdose.

**Achtung!** Das Verlängerungskabel muss für die Verwendung im Freien geeignet sein. Beim Verwenden einer Kabeltrommel muss das Kabel stets vollständig abgewickelt sein.

## Gebrauch

**Achtung!** Beschleunigen Sie den Arbeitsvorgang nicht mit Gewalt. Vermeiden Sie eine Überlastung des Geräts.

## Drehen des vorderen Griffs (Abb. D) (nur GT4550)

Für eine einfache und bequeme Handhabung kann der vordere Griff in 5 verschiedene Positionen gedreht werden.

- ◆ Drücken Sie die Taste zum Drehen des vorderen Griffs (8).
- ◆ Drehen Sie den vorderen Griff (3) in die gewünschte Position.

- ◆ Lassen Sie die Taste zum Drehen des vorderen Griffs (8) los.

**Hinweis:** Der vordere Griff der Heckenschere kann nicht gedreht werden, während die Heckenschere in Betrieb ist.

## Ein- und Ausschalten

**Hinweis:** Das Gerät ist zu Ihrer Sicherheit mit einer Zweihandbetätigung ausgestattet. Durch dieses System wird das versehentliche Einschalten des Geräts verhindert. Das Gerät kann nur betrieben werden, wenn es mit beiden Händen gehalten wird.

### Einschalten (Abb. E)

- ◆ Halten Sie mit einer Hand den vorderen Griff (3), sodass der vordere Griffschalter (2) in das Gehäuse des Geräts gedrückt wird.
- ◆ Drücken Sie mit der anderen Hand den Auslöser (1), um das Gerät einzuschalten.

### Ausschalten

- ◆ Lassen Sie den Griffschalter (2) oder den Auslöser (1) los.

**Achtung!** Versuchen Sie niemals, einen Schalter in seiner Einschaltstellung zu arretieren.

## Hinweise für optimale Arbeitsergebnisse

- ◆ Beginnen Sie mit dem Beschnitt an der Oberseite der Hecke. Neigen Sie das Gerät leicht (bis zu 15° relativ zur Schnittlinie), sodass die Messerspitzen in Richtung der Hecke weisen (Abb. F). So arbeiten die Messer effektiver. Halten Sie das Gerät im gewünschten Winkel, und führen Sie es gleichmäßig entlang der Schnittlinie. Mit dem doppelseitigen Messer können Sie in beide Richtungen schneiden.
- ◆ Spannen Sie für besonders gerade Schnitte eine Richtschnur auf der gewünschten Höhe entlang der Schnittlinie. Schneiden Sie direkt über der Richtschnur (Abb. G).
- ◆ Schneiden Sie für gerade Seiten aufwärts in Wachstumsrichtung. Bei abwärts geführten Schnitten werden jüngere Zweige nach außen gebogen. Dies hat ungleichmäßige Seiten zur Folge (Abb. H).
- ◆ Achten Sie auf Fremdkörper. Vermeiden Sie besonders den Kontakt mit harten Objekten wie Metalldrähten und Geländern, da diese die Messer beschädigen können (Abb. I).
- ◆ Ölen Sie die Messer regelmäßig.

## Tipps für den Beschnitt

- ◆ Beschneiden Sie Hecken und Sträucher, die im Winter ihre Blätter verlieren, im Juni und Oktober.
- ◆ Beschneiden Sie immergrüne Hecken und Sträucher im April und August.
- ◆ Beschneiden Sie Nadelhölzer und andere schnell wachsende Sträucher von Mai bis Oktober alle sechs Wochen.

## Tipps für den Beschnitt (Australien und Neuseeland)

- ◆ Beschneiden Sie Hecken und Sträucher, die im Winter ihre Blätter verlieren, im Dezember und März.
- ◆ Beschneiden Sie immergrüne Hecken und Sträucher im September und Februar.
- ◆ Beschneiden Sie Nadelhölzer und andere schnell wachsende Sträucher von Oktober bis März alle sechs Wochen.

## Zubehörteile

Das verwendete Zubehör hat wesentlichen Einfluss auf die Leistung des Geräts. Zubehörteile von Black & Decker und Piranha erfüllen höchste Qualitätsstandards und wurden speziell für die Verwendung mit Ihrem Gerät entwickelt. Bei Verwendung dieses Zubehörs erhalten Sie stets optimale Ergebnisse.

Schmieröl erhalten Sie im Black & Decker Fachhandel (Katalognr. A6102-XJ).

## Wartung

Ihr Black & Decker Gerät (mit und ohne Netzkabel) wurde im Hinblick auf eine lange Lebensdauer und einen möglichst geringen Wartungsaufwand entwickelt. Ein dauerhafter, einwandfreier Betrieb setzt eine regelmäßige Pflege und Reinigung voraus.

**Achtung!** Vor dem Ausführen jeglicher Wartungsarbeiten an Geräten mit und ohne Netzkabel:

- ◆ Schalten Sie das Gerät aus, und ziehen Sie den Netzstecker.
- ◆ Wenn das Gerät über einen separaten Batteriepack oder Akku verfügt, schalten Sie das Gerät ab, und entnehmen Sie die Batterien aus dem Gerät.
- ◆ Wenn der Akku integriert ist, entladen Sie diesen vor dem Abschalten vollständig.
- ◆ Ziehen Sie das Ladegerät aus der Netzsteckdose, bevor Sie es reinigen. Das Ladegerät benötigt keine Wartung, es sollte jedoch regelmäßig gereinigt werden.

- ◆ Reinigen Sie regelmäßig die Lüftungsschlitze des Geräts und des Ladegeräts mit einer weichen Bürste oder einem trockenen Tuch.
- ◆ Reinigen Sie das Motorgehäuse regelmäßig mit einem feuchten Tuch. Verwenden Sie keine scheuernden Reinigungsmittel oder Reinigungsmittel auf Lösungsmittelbasis.
- ◆ Reinigen Sie die Messer nach dem Gebrauch sorgfältig. Tragen Sie nach der Reinigung leichtes Maschinenöl auf die Messer auf, um Rostbildung vorzubeugen.

## Austauschen des Netzsteckers (nur Großbritannien & Irland)

Gehen Sie folgendermaßen vor, wenn ein neuer Netzstecker angebracht werden muss:

- ◆ Entsorgen Sie den alten Stecker auf sachgerechte Weise.
- ◆ Verbinden Sie die braune Leitung mit dem spannungsführenden Anschluss des Steckers.
- ◆ Verbinden Sie die blaue Leitung mit dem neutralen Anschluss.

**Achtung!** Der Erdleiter wird nicht angeschlossen. Befolgen Sie die Anleitungen, die dem Stecker beiliegen. Empfohlene Sicherung: 5 A.

## Umweltschutz



Getrennte Entsorgung. Dieses Produkt darf keinesfalls mit dem Hausmüll entsorgt werden.

Sollten Sie Ihr Black & Decker Produkt eines Tages ersetzen oder nicht mehr benötigen, entsorgen Sie es nicht mit dem Hausmüll. Führen Sie das Produkt einer getrennten Sammlung zu.



Durch die getrennte Sammlung von ausgedienten Produkten und Verpackungsmaterialien können Rohstoffe recycelt und wiederverwendet werden. Die Wiederverwendung aufbereiteter Materialien trägt zur Vermeidung der Umweltverschmutzung bei und senkt den Rohstoffbedarf.

Die Verordnung zur Abfallentsorgung Ihrer Gemeinde sieht möglicherweise vor, dass Elektrogeräte getrennt vom Hausmüll gesammelt, an der örtlichen Abfallentsorgungseinrichtung abgegeben oder beim Kauf eines neuen Produkts vom Fachhandel zur Entsorgung angenommen werden müssen.

Black & Decker nimmt Ihre ausgedienten Black & Decker Geräte gern zurück und sorgt für eine umweltfreundliche Entsorgung bzw. Wiederverwertung. Um diese Dienstleistung in Anspruch zu nehmen, geben Sie das Gerät bitte bei einer autorisierten Reparaturwerkstatt ab, die für uns die Einsammlung übernimmt.

Die Adresse der zuständigen Niederlassung von Black & Decker steht in dieser Anleitung. Dort teilt man Ihnen gerne die nächstgelegene Vertragswerkstatt mit. Eine Liste der Vertragswerkstätten und aller Kundendienststellen von Black & Decker sowie der zuständigen Ansprechpartner finden Sie auch im Internet unter: [www.2helpU.com](http://www.2helpU.com).

## Technische Daten

	GT4245 (Typ 1)	GT4550 (Typ 1)
Spannung	V <sub>AC</sub> 230	230
Leistungsaufnahme	W 420	450
Messertakt (lastfrei)	min <sup>-1</sup> 1960	1815
Messrerlänge	cm 45	50
Messerabstand	mm 16	18
Messerbremsdauer	s <1	<1
Gewicht	kg 2,1	2,4

### Schalldruckpegel gemäß EN 60745:

Schalldruck ( $L_{pA}$ ) 73 dB(A), Unsicherheitsfaktor (K) 3 dB(A),  
Schallleistung ( $L_{WA}$ ) 93 dB(A), Unsicherheitsfaktor (K) 3 dB(A)

### Gesamtvibration (Triax-Vektorsumme) gemäß EN 60745:

Vibrationsemissionswert ( $a_{h,D}$ ) 2,3 m/s<sup>2</sup>, Unsicherheitsfaktor (K) 1,5 m/s<sup>2</sup>



**EG-Konformitätserklärung**  
 MASCHINENRICHTLINIE  
 AUSSENLAUTSTÄRKERICHTLINIE



**GT4245 / GT4550**

Black & Decker erklärt, dass diese unter „Technische Daten“ beschriebenen Geräte übereinstimmen mit: 2006/42/EG, EN 60745-1, EN 60745-2-15.

2000/14/EG, Heckenschere 1960 min<sup>-1</sup>, Anhang V

Gemessene Schallleistung (L <sub>pA</sub> )	93 dB(A)
Unsicherheitsfaktor (K)	3 dB(A)
Garantierte Schallleistung (L <sub>pA</sub> )	96 dB(A)
Unsicherheitsfaktor (K)	3 dB(A)

Diese Produkte entsprechen außerdem der Richtlinie 2004/108/EG. Weitere Informationen erhalten Sie von Black & Decker unter der folgenden Adresse. Diese befindet sich auch auf der Rückseite dieser Anleitung.

Der Unterzeichnete ist verantwortlich für die Zusammenstellung der technischen Daten und gibt diese Erklärung im Namen von Black & Decker ab.

Kevin Hewitt  
 Vice-President Global Engineering  
 Black & Decker Europe, 210 Bath Road, Slough,  
 Berkshire, SL1 3YD  
 Großbritannien  
 05.08.2011

## Garantie

Black & Decker vertraut auf die Qualität der eigenen Geräte und bietet dem Käufer eine außergewöhnliche Garantie. Diese Garantiezusage versteht sich unbeschadet der gesetzlichen Gewährleistungsansprüche und schränkt diese keinesfalls ein. Sie gilt in sämtlichen Mitgliedstaaten der Europäischen Union und der Europäischen Freihandelszone EFTA.

Tritt innerhalb von 24 Monaten ab Kaufdatum an einem Gerät von Black & Decker ein auf Material- oder Verarbeitungsfehler zurückzuführender Mangel auf, garantiert Black & Decker den Austausch defekter Teile, die Reparatur von Geräten mit üblichem Verschleiß bzw. den

Austausch eines mangelhaften Gerätes, ohne den Kunden dabei mehr als unbedingt nötig in Anspruch zu nehmen, allerdings vorbehaltlich folgender Ausnahmen:

- ◆ wenn das Gerät gewerblich, beruflich oder im Verleihgeschäft benutzt wurde;
- ◆ wenn das Gerät missbräuchlich verwendet oder mit mangelnder Sorgfalt behandelt wurde;
- ◆ wenn das Gerät durch irgendwelche Fremdeinwirkung beschädigt wurde;
- ◆ wenn ein unbefugter Reparaturversuch durch anderes Personal als das einer Vertragswerkstatt oder des Black & Decker Kundendienstes unternommen wurde.

Zur Inanspruchnahme dieser Garantie ist dem Verkäufer bzw. der Vertragswerkstatt ein Kaufnachweis vorzulegen. Die Adresse der zuständigen Niederlassung von Black & Decker steht in dieser Anleitung. Dort teilt man Ihnen gerne die nächstgelegene Vertragswerkstatt mit. Eine Liste der Vertragswerkstätten und aller Kundendienststellen von Black & Decker sowie der zuständigen Ansprechpartner finden Sie auch im Internet unter: **www.2helpU.com**.

Bitte besuchen Sie unsere Website **www.blackanddecker.de**, um Ihr neues Black & Decker Produkt zu registrieren. Dort erhalten Sie auch Informationen über neue Produkte und Sonderangebote. Weitere Informationen über die Marke Black & Decker und unsere Produkte finden Sie unter **www.blackanddecker.de**.

## Utilisation

Votre taille-haie Black & Decker est conçu pour tailler les haies, les arbustes et les ronces. Cet outil est destiné à une utilisation exclusivement domestique.

## Consignes de sécurité

### Consignes de sécurité concernant les outils électroportatifs



**Attention !** Lisez avec attention tous les avertissements et toutes les instructions. Le non-respect de cette consigne peut entraîner une électrocution, un incendie et/ou de graves blessures.

**Conservez tous les avertissements et instructions pour référence ultérieure.** La notion « d'outil électroportatif » mentionnée dans les consignes de sécurité se rapporte à des outils électriques raccordés au secteur (avec câble de raccordement) ou fonctionnant sur piles ou batterie (sans fil).

#### 1. Sécurité de la zone de travail

**a. Maintenez la zone de travail propre et bien éclairée.** Un lieu de travail en désordre ou mal éclairé augmente le risque d'accidents.

**b. N'utilisez pas les outils électroportatifs dans un environnement présentant des risques d'explosion ni en présence de liquides, gaz ou poussières inflammables.** Les outils électroportatifs génèrent des étincelles risquant d'enflammer les poussières ou les vapeurs.

**c. Tenez les enfants et autres personnes éloignés durant l'utilisation de l'outil électroportatif.** En cas d'inattention, vous risquez de perdre le contrôle de l'outil.

#### 2. Sécurité électrique

**a. La prise de l'outil électroportatif doit être compatible avec la prise d'alimentation. Ne modifiez en aucun cas la prise. N'utilisez pas de prises d'adaptateur avec des appareils ayant une prise de terre.** Le respect de ces consignes réduit le risque de choc électrique.

**b. Évitez le contact physique avec des surfaces mises à la terre telles que tuyaux, radiateurs, fours et réfrigérateurs.** Le risque de choc électrique augmente si votre corps est relié à la terre.

**c. N'exposez pas l'outil électroportatif à la pluie ou à l'humidité.** La pénétration d'eau

dans un outil électroportatif augmente le risque de choc électrique.

**d. Préservez le câble d'alimentation.**

**N'utilisez pas le câble pour porter l'outil, pour l'accrocher. Ne le tirez pas pour le débrancher. Maintenez le câble éloigné des sources de chaleurs, des parties huilées, des bords tranchants ou des parties de l'appareil en rotation.** Le risque de choc électrique augmente si les câbles sont endommagés ou emmêlés.

**e. Si vous utilisez l'outil électroportatif à l'extérieur, utilisez une rallonge homologuée pour une utilisation à l'extérieur.** L'utilisation d'une rallonge électrique homologuée pour les travaux à l'extérieur réduit le risque de choc électrique.

**f. Si l'outil doit être utilisé dans un endroit humide, prenez les précautions nécessaires en utilisant un dispositif à courant résiduel (RCD).** L'utilisation d'un tel dispositif réduit les risques d'électrocution.

#### 3. Sécurité personnelle

**a. Restez vigilant, surveillez ce que vous faites. Faites preuve de bon sens quand vous utilisez un outil électroportatif. N'utilisez pas l'outil lorsque vous êtes fatigué ou sous l'emprise de drogues, d'alcool ou de médicaments.** Un moment d'inattention en utilisant l'outil peut entraîner de graves blessures.

**b. Portez un équipement de protection. Portez toujours des lunettes de protection.** Selon le travail à effectuer, le port d'équipement de protection tels que masque anti-poussières, chaussures de sécurité antidérapantes, casque ou protection auditive, réduit le risque de blessures.

**c. Évitez un démarrage imprévu. L'appareil doit être en position OFF (arrêt) avant d'effectuer le branchement à l'alimentation et/ou au bloc-batterie, de le ramasser ou de le porter.** Ne laissez pas votre doigt sur le bouton de commande en le transportant. N'alimentez pas l'outil si le bouton est activé. Ceci pourrait être à l'origine d'accidents.

**d. Enlevez tout outil ou clé de réglage avant de mettre l'appareil en marche.** Une clé ou un outil se trouvant sur une partie en rotation peut causer des blessures.

**e. Adoptez une position confortable. Adoptez une position stable et gardez votre équilibre en permanence.** Vous

contrôlerez ainsi mieux l'outil dans des situations inattendues.

- f. **Portez des vêtements appropriés. Ne portez pas de vêtements amples ou de bijoux. N'approchez pas les cheveux, vêtements ou gants des parties des pièces mobiles.** Les vêtements amples, les bijoux ou les cheveux longs peuvent s'accrocher dans les pièces en mouvement.

- g. **En cas d'utilisation d'appareils servant à aspirer ou à recueillir les poussières, assurez-vous qu'ils sont correctement raccordés et utilisés.** L'utilisation de tels dispositifs réduit les dangers dus aux poussières.

#### 4. Utilisation des outils électroportatifs et précautions

- a. **Respectez la capacité de l'outil. Utilisez l'outil électroportatif approprié pour le travail à effectuer.** Avec un outil approprié, vous travaillerez mieux et en toute sécurité.
- b. **N'utilisez pas un outil électroportatif dont l'interrupteur est défectueux.** Un outil électroportatif qui ne répond pas à la commande marche/arrêt est dangereux et doit être réparé.
- c. **Retirez la prise de courant et/ou débranchez le bloc-batterie avant d'effectuer des réglages, de changer les accessoires ou de ranger l'outil.** Cette mesure de précaution empêche de mettre l'outil en marche accidentellement.
- d. **Rangez les outils électroportatifs hors de la portée des enfants. Les personnes ne connaissant pas l'outil ou n'ayant pas lu ces instructions ne doivent en aucun cas l'utiliser.** Les outils électroportatifs sont dangereux lorsqu'ils sont utilisés par des personnes non initiées.
- e. **Entretenez les outils électroportatifs. Vérifiez que les parties en mouvement fonctionnent correctement et qu'elles ne sont pas coincées. Vérifiez qu'il n'y a pas de pièces cassées ou endommagées susceptibles de nuire au bon fonctionnement de l'outil. S'il est endommagé, faites réparer l'outil avant de l'utiliser.** De nombreux accidents sont la conséquence d'outils mal entretenus.
- f. **Maintenez les outils de coupe aiguisés et propres.** Des outils soigneusement entretenus avec des bords tranchants bien aiguisés se coincent moins souvent et peuvent être guidés plus facilement.

- g. **Utilisez les outils électroportatifs, les accessoires, etc., en suivant ces instructions et en tenant compte des conditions de travail, ainsi que du travail à effectuer.** L'utilisation des outils électroportatifs à d'autres fins que celles prévues peut vous mettre en situation dangereuse.

#### 5. Réparations

- a. **Faites réparer votre outil électroportatif uniquement par du personnel qualifié et seulement avec des pièces de rechange appropriées.** Cela garantira le maintien de la sécurité de votre outil.

#### Consignes de sécurité supplémentaires concernant les outils électroportatifs



**Attention !** Prendre encore plus de précautions avec les tailles-haies.

- ◆ **Ne laissez aucune partie du corps près de la lame. Ne cherchez pas à retirer les éléments coupés ou à tenir les éléments à couper quand les lames fonctionnent. L'outil doit être hors tension pour nettoyer les éléments coupés..** Un moment d'inattention en utilisant l'outil peut entraîner de graves blessures.
- ◆ **Le taille-haie doit être porté par la poignée avec la lame arrêtée. Pendant le transport ou le rangement du taille-haie, installez toujours la protection de la lame..** En respectant ces consignes, les risques de blessures sont limités.
- ◆ **Tenez l'outil au niveau des surfaces de prise isolées pour éviter que la lame ne se trouve en contact avec des fils cachés ou le câble.** En touchant un fil sous tension, la charge électrique passe dans les parties métalliques de l'outil électroportatif et il y a risque de choc électrique.
- ◆ **Éloignez le câble des zones de coupe.** Pendant le fonctionnement, le câble peut être caché par des arbustes et risque de sectionner les lames.
- ◆ Les consignes d'utilisation sont données dans ce manuel d'instructions. L'utilisation d'un accessoire ou d'une fixation, ou bien l'utilisation de cet outil à d'autres fins que celles recommandées dans ce manuel d'instructions peut entraîner des blessures et/ou des dommages matériels.
- ◆ Si vous n'avez jamais utilisé de taille-haie, demandez à une personne expérimentée de

vous donner quelques instructions et étudiez ce manuel.

- ◆ Ne touchez jamais les lames quand l'outil fonctionne.
- ◆ N'arrêtez jamais les lames de force.
- ◆ Ne posez pas l'outil avant l'arrêt complet des lames.
- ◆ Vérifiez régulièrement l'état des lames. N'utilisez pas l'outil quand les lames sont endommagées.
- ◆ Évitez les objets durs (par exemple, les fils en métal, les rampes) pendant la taille. Si vous touchez ce genre d'objet par accident, éteignez immédiatement l'outil et vérifiez s'il y a eu des dommages.
- ◆ Si l'outil vibre anormalement, éteignez immédiatement l'outil et débranchez-le de la prise puis vérifiez s'il y a eu des dommages.
- ◆ Si l'outil cale, éteignez-le immédiatement. Débranchez-le de la prise avant d'essayer de retirer les éléments qui le bloquent.
- ◆ Après l'utilisation, placez la gaine sur les lames. Rangez l'outil en prenant soin de ne pas laisser la lame apparente.
- ◆ Vérifiez que toutes les protections sont installées quand l'outil est utilisé. N'essayez jamais d'utiliser un outil auquel il manquerait des pièces ou un outil ayant subi des modifications non autorisées.
- ◆ Ne laissez jamais les enfants utiliser l'outil.
- ◆ Faites attention aux branches qui tombent lorsque vous taillez le haut d'une haie.
- ◆ Tenez toujours l'outil avec les deux mains et par les poignées prévues à cet effet.

## Sécurité des personnes

- ◆ Cet appareil ne doit pas être utilisé par des personnes (y compris les enfants) ayant des déficiences physiques, mentales ou sensorielles. Cette consigne s'applique aussi aux personnes manquant d'expérience et de connaissance du matériel, à moins que celles-ci n'aient reçu les instructions appropriées ou qu'elles ne soient encadrées par une personne responsable de leur sécurité pour utiliser l'appareil.
- ◆ Ne laissez jamais les enfants sans surveillance pour éviter qu'ils ne jouent avec cet outil.

## Risques résiduels.

L'utilisation d'un outil non mentionné dans les consignes de sécurité données peut entraîner des risques résiduels supplémentaires. Ces

risques peuvent survenir si l'outil est mal utilisé, si l'utilisation est prolongée, etc.

Malgré l'application des normes de sécurité correspondantes et la présence de dispositifs de sécurité, les risques résiduels suivants ne peuvent être évités. Ceci comprend:

- ◆ Les blessures dues au contact avec une pièce mobile/en rotation.
- ◆ Les blessures causées en changeant des pièces, lames ou accessoires.
- ◆ Les blessures dues à l'utilisation prolongée d'un outil. Une utilisation prolongée de l'outil nécessite des pauses régulières.
- ◆ Déficience auditive.
- ◆ Risques pour la santé causés par l'inhalation de poussières produites pendant l'utilisation de l'outil (exemple: travail avec du bois, surtout le chêne, le hêtre et les panneaux en MDF).

## Vibration

La valeur des émissions de vibration déclarée dans la section Déclaration/Données techniques de conformité a été mesurée selon une méthode d'essai standard fournie par la norme EN 60745 et peut être utilisée pour comparer un outil à un autre. Elle peut aussi être utilisée pour une évaluation préliminaire à l'exposition.

**Attention !** Selon la manière dont l'outil est utilisé, la valeur des émissions de vibration pendant l'utilisation de l'outil peut être différente de la valeur déclarée. Le niveau de vibration peut augmenter au-dessus du niveau établi.

Quand l'exposition aux vibrations est évaluée afin de déterminer les mesures de sécurité requises par la norme 2002/44/CE pour protéger les personnes utilisant régulièrement des outils électroportatifs, il faut tenir compte d'une estimation de l'exposition aux vibrations, des conditions actuelles d'utilisation et de la manière dont l'outil est utilisé. Il faut aussi tenir compte de toutes les pièces du cycle de fonctionnement comme la durée pendant laquelle l'outil est arrêté et quand il fonctionne au ralenti, ainsi que la durée du déclenchement.

## Étiquettes de l'outil

Les pictogrammes ci-dessous se trouvent sur l'appareil:



**Attention !** Pour réduire le risque de blessures, l'utilisateur doit lire le manuel d'instructions.



Portez toujours des lunettes de sécurité pour utiliser cet outil.



Portez toujours des protections auditives pour utiliser cet outil.



Débranchez immédiatement le câble du secteur s'il est endommagé ou coupé.



N'exposez pas l'outil à la pluie ou à l'humidité.



Normes 2000/14/CE, puissance sonore garantie.

### Sécurité électrique



Cet outil est doublement isolé. Par conséquent, aucun câble de mise à la terre n'est nécessaire. Vérifiez si l'alimentation mentionnée sur la plaque signalétique de l'outil correspond bien à la tension présente sur le lieu.

- ◆ Si le câble d'alimentation est endommagé, il doit être remplacé par le fabricant ou par un Centre de réparation agréé Black & Decker pour éviter les risques éventuels.
- ◆ Pour manipuler l'outil à l'extérieur, utilisez uniquement une rallonge homologuée pour ce genre d'utilisation. Une rallonge Black & Decker de 30 m peut être utilisée sans perte de puissance.
- ◆ Utilisez un dispositif de courant résiduel (RCD) à grande sensibilité 30 mA pour améliorer la sécurité électrique.

### Caractéristiques

Cet outil comprend certains ou tous les éléments suivants.

1. Déclencheur
2. Bouton de poignée avant
3. Poignée avant
4. Protection
5. Lame
6. Fixation du câble

### Assemblage

**Attention !** Avant l'assemblage, assurez-vous que l'outil est éteint, débranché et que la gaine est sur les lames.

### Fixation de la protection (figures A et B)

- ◆ Retirez de l'outil les deux vis partiellement insérées.
- ◆ Placez la protection (4) dans les rainures de l'outil.

- ◆ Serrez la protection avec les deux vis (7) fournies.

**Attention !** N'utilisez jamais l'outil sans protection.

### Branchement de l'outil au secteur (figure C)

À moins que l'outil ne puisse être utilisé avec un câble de secteur, il vous faudra brancher une rallonge à la prise.

- ◆ Branchez la rallonge à la prise de l'outil.
- ◆ Accrochez le câble au dispositif de blocage (6) comme indiqué, pour éviter que la rallonge ne se débranche pendant l'utilisation.
- ◆ Branchez la prise secteur.

**Attention !** La rallonge doit être adaptée à une utilisation à l'extérieur. Si vous utilisez un dévidoir, le câble doit être complètement déroulé.

### Utilisation

**Attention !** Laissez l'outil fonctionner à sa propre vitesse. Ne le poussez pas au-delà de sa limite.

### Rotation de la poignée avant (figure D) (GT4550 uniquement)

Pour plus de confort et de facilité à l'utilisation, il est possible de tourner la poignée avant dans 5 positions différentes.

- ◆ Appuyez sur le bouton de rotation de la poignée avant(8).
- ◆ Tournez la poignée avant (3) jusqu'à la position requise.
- ◆ Relâchez le bouton de rotation de la poignée avant(8).

**Remarque:** Il n'est pas possible de tourner la poignée avant du taille-haie lorsqu'il fonctionne.

### Mise en marche et arrêt

**Remarque:** Pour votre sécurité, cet outil est équipé d'un système à double commande. Ce système évite le démarrage accidentel de l'outil et permet le fonctionnement de l'outil uniquement quand il est tenu avec les deux mains.

### Démarrage (figure E)

- ◆ Tenez l'outil d'une main par la poignée avant (3), le bouton de poignée avant (2) est ainsi enfoncé dans l'outil.
- ◆ Avec l'autre main, appuyez sur le déclencheur (1) pour démarrer l'outil.

### Arrêt

- ◆ Relâchez le bouton de poignée (2) ou le déclencheur (1).

**Attention !** N'essayez jamais de bloquer une commande en position marche.

## Conseils pour une utilisation optimale

- ◆ Commencez par tailler le haut de la haie. Inclinez légèrement l'outil (jusqu'à environ 15° de la ligne de coupe) pour que les extrémités de la lame pointent vers la haie (figure F). Les lames sont ainsi plus efficaces. Tenez l'outil à l'angle désiré et déplacez-le régulièrement le long de la ligne de coupe. La double lame permet de couper dans les deux directions.
- ◆ Pour obtenir une coupe droite, tendez une corde sur la longueur de la haie à la hauteur désirée. Utilisez la corde comme guide et coupez juste au-dessus (figure G).
- ◆ Pour que les côtés soient droits, coupez vers le haut. Les jeunes pousses sortent quand la lame coupe vers le bas, ce qui donne une taille irrégulière (figure H).
- ◆ Évitez les corps étrangers, surtout s'ils sont durs comme les fils en métal et les rampes. Ils pourraient endommager les lames (figure I).
- ◆ Graissez régulièrement les lames.

## Consignes pour la taille

- ◆ Taille des haies et des arbustes avec feuilles caduques (nouvelles feuilles chaque année) en juin et en octobre.
- ◆ Taille des arbres à feuillage persistant en avril et août.
- ◆ Taille des conifères et autres arbustes à pousse rapide toutes les six semaines de mai à octobre.

## Consignes pour la taille (Australie et Nouvelle-Zélande)

- ◆ Taille des haies et des arbustes avec feuilles caduques (nouvelles feuilles chaque année) en décembre et en mars.
- ◆ Taille des arbres à feuillage persistant en septembre et février.
- ◆ Taille des conifères et autres arbustes à pousse rapide toutes les six semaines d'octobre à mars.

## Accessoires

La qualité de travail réalisé par votre outil dépend des accessoires utilisés. Les accessoires Black & Decker et Piranha correspondent aux normes de qualité supérieure et sont conçus pour donner le meilleur résultat possible. En utilisant ces accessoires, votre outil vous donnera entière satisfaction.

Vous trouverez de l'huile de graissage chez votre revendeur Black & Decker (cat. N° A6102-XJ).

## Entretien

Votre appareil/outil sans fil/avec fil Black & Decker a été conçu pour fonctionner pendant longtemps avec un minimum d'entretien. Un fonctionnement continu satisfaisant dépend d'un nettoyage régulier et d'un entretien approprié de l'outil.

**Attention !** À ne pas oublier avant l'entretien des appareils électriques sans fil/avec fil:

- ◆ Arrêtez l'appareil/outil, puis débranchez-le.
- ◆ Ou, arrêtez l'appareil et retirez la batterie de l'appareil/outil si celui-ci est muni d'un bloc-batterie séparé.
- ◆ Ou bien déchargez complètement la batterie si elle est intégrée au système, puis arrêtez l'appareil (position Off).
- ◆ Débranchez le chargeur avant de le nettoyer. Aucun entretien particulier n'est nécessaire pour le chargeur en dehors du nettoyage régulier.
- ◆ Nettoyez régulièrement les orifices de ventilation de votre appareil/outil/chargeur à l'aide d'une brosse souple ou d'un chiffon sec.
- ◆ Nettoyez régulièrement le compartiment du moteur à l'aide d'un chiffon humide. N'utilisez pas de produit abrasif ou à base de solvant.
- ◆ Une fois la taille terminée, nettoyez avec précaution les lames. Après avoir nettoyé les lames, appliquez une fine couche d'huile machine pour éviter la rouille.

## Remplacement des prises secteur (RU et Irlande uniquement)

Si une nouvelle prise secteur doit être installée:

- ◆ Mettez au rebut la vieille prise.
- ◆ Branchez le fil brun dans la borne de la nouvelle prise.
- ◆ Branchez le fil bleu à la borne neutre.

**Attention !** Aucune connexion ne doit être faite à la borne de terre. Suivez les instructions de montage fournies avec les prises de bonne qualité. Fusibles recommandés: 5 A.

## Protection de l'environnement



Recyclage. Cet appareil ne doit pas être jeté avec les déchets ménagers.

Si votre appareil/outil Black & Decker doit être remplacé ou si vous ne l'utilisez plus, ne le jetez pas avec les ordures ménagères. Songez à la protection de l'environnement et recyclez-le.



La collecte séparée des produits et des emballages usagés permet de recycler et de réutiliser des matériaux. La réutilisation de matériaux recyclés évite la pollution de l'environnement et réduit la demande de matières premières.

Des réglementations locales peuvent stipuler la collecte séparée des produits électriques et des produits ménagers, dans des déchetteries municipales ou par le revendeur lorsque vous achetez un nouveau produit.

Black & Decker offre une solution permettant de recycler les produits Black & Decker lorsqu'ils ont atteint la fin de leur cycle de vie. Pour pouvoir profiter de ce service, veuillez retourner votre produit à un réparateur agréé qui se chargera de le collecter pour nous.

Pour connaître l'adresse du réparateur agréé le plus proche de chez vous, contactez le bureau Black & Decker à l'adresse indiquée dans ce manuel. Vous pourrez aussi trouver une liste de réparateurs agréés Black & Decker et de plus amples détails sur notre service après-vente sur le site Internet à l'adresse suivante:

[www.2helpU.com](http://www.2helpU.com).

## Caractéristiques techniques

		GT4245 (Type 1)	GT4550 (Type 1)
Tension	$V_{AC}$	230	230
Puissance	W	420	450
Nombre de montée-descente de lame (sans charge)	$\text{min}^{-1}$	1960	1815
Longueur de lame	cm	45	50
Jeu de lame	mm	16	18
Freinage de lame	s	<1	<1
Poids	kg	2,1	2,4

### Niveau de pression sonore selon la norme EN 60745:

Pression sonore ( $L_{pA}$ ) 73 dB(A), incertitude (K) 3 dB(A),  
Puissance sonore ( $L_{WA}$ ) 93 dB(A), incertitude (K) 3 dB(A)

### Valeurs totales des vibrations (somme vectorielle triaxiale) selon la norme EN 60745:

Valeur d'émission de vibration ( $a_{n,D}$ ) 2,3  $\text{m/s}^2$ ,  
incertitude (K) 1,5  $\text{m/s}^2$

## Déclaration de conformité CE

CONSIGNES DE MACHINERIE  
CONSIGNES NUISANCES SONORES  
EXTÉRIEURES



GT4245 / GT4550

Black & Decker confirme que les produits décrits dans les « Données techniques » sont conformes aux normes: 2006/42/CE, EN 60745-1, EN 60745-2-15.

2000/14/CE, taille-haie 1960  $\text{min}^{-1}$ , Annexe V

Puissance sonore mesurée ( $L_{pA}$ )	93 dB(A)
Incertitude (K)	3 dB(A)
Puissance sonore garantie ( $L_{pA}$ )	96 dB(A)
Incertitude (K)	3 dB(A)

Ces produits sont conformes aux normes 2004/108/CE. Pour plus de détails, veuillez contacter Black & Decker à l'adresse suivante ou reportez-vous au dos du manuel.

Le soussigné est responsable des données de la fiche technique et fait cette déclaration au nom de Black & Decker.

Kevin Hewitt

Vice-Président - ingénierie internationale  
Black & Decker Europe, 210 Bath Road, Slough,  
Berkshire, SL1 3YD  
Royaume-Uni  
05/08/2011

## Garantie

Black & Decker assure la qualité de ses produits et vous offre une garantie très large. Ce certificat de garantie est un document supplémentaire et ne peut en aucun cas se substituer à vos droits légaux. La garantie est valable sur tout le territoire des États Membres de l'Union Européenne et de la Zone de Libre Échange Européenne.

Si un produit Black & Decker s'avère défectueux en raison de matériaux en mauvaises conditions, d'une erreur humaine, ou d'un manque de conformité dans les 24 mois suivant la date d'achat, Black & Decker garantit le remplacement des pièces défectueuses, la réparation des produits usés ou cassés ou remplace ces produits à la convenance du client, sauf dans les circonstances suivantes:

## FRANÇAIS

- ◆ Le produit a été utilisé dans un but commercial, professionnel, ou a été loué;
- ◆ Le produit a été mal utilisé ou utilisé avec négligence;
- ◆ Le produit a subi des dommages à cause d'objets étrangers, de substances ou à cause d'accidents;
- ◆ Des réparations ont été tentées par des techniciens ne faisant pas partie du service technique de Black & Decker.

Pour avoir recours à la garantie, il est nécessaire de fournir une preuve d'achat au vendeur ou à un réparateur agréé. Pour connaître l'adresse du réparateur agréé le plus proche de chez vous, contactez le bureau Black & Decker à l'adresse indiquée dans ce manuel. Vous pourrez aussi trouver une liste de réparateurs agréés Black & Decker et de plus amples détails sur notre service après-vente sur le site Internet à l'adresse suivante: **www.2helpU.com**.

Visitez notre site Web

**www.blackanddecker.fr** pour enregistrer votre nouveau produit Black & Decker et être informé des nouveaux produits et des offres spéciales. Pour plus d'informations concernant la marque Black & Decker et notre gamme de produits, consultez notre site **www.blackanddecker.fr**.



## Použití výrobku

Vaše zahradnické nůžky na živý plot Black & Decker jsou určeny k seřezávání živého plotu, keřů a hustého podrostu. Toto nářadí je určeno pouze pro spotřebitelské použití.

## Bezpečnostní pokyny

### Všeobecné bezpečnostní pokyny pro práci s elektrickým nářadím



**Varování!** Přečtěte si všechny bezpečnostní výstrahy a pokyny. Nedodržení níže uvedených pokynů může mít za následek úraz elektrickým proudem, vznik požáru nebo vážné poranění.

**Veškerá bezpečnostní varování a pokyny uschovejte pro případné další použití.** Termín „elektrické nářadí“ ve všech upozorněních odkazuje na vaše nářadí napájené ze sítě (je opatřeno napájecím kabelem) nebo nářadí napájené z akumulátoru (bez napájecího kabelu).

#### 1. Bezpečnost v pracovním prostoru

- a. **Pracovní prostor udržujte čistý a dobře osvětlený.** Přeplněný a neosvětlený pracovní prostor může vést k způsobení úrazů.
- b. **Neppracujte s elektrickým nářadím ve výbušném prostředí, jako jsou například prostory s výskytem hořlavých kapalin, plynů nebo prašných látek.** V elektrickém nářadí dochází k jiskření, které může způsobit vznícení hořlavého prachu nebo výparů.
- c. **Při práci s elektrickým nářadím zajistěte bezpečnou vzdálenost dětí a ostatních osob.** Rozptylování může způsobit ztrátu kontroly nad nářadím.

#### 2. Elektrická bezpečnost

- a. **Zástrčka napájecího kabelu nářadí musí odpovídat zásuvce. Zástrčku nikdy žádným způsobem neupravujte. Nepoužívejte u uzemněného elektrického nářadí žádné upravené zástrčky.** Neupravované zástrčky a odpovídající zásuvky snižují riziko vzniku úrazu elektrickým proudem.
- b. **Nedotýkejte se uzemněných povrchů, jako jsou například potrubí, radiátory, elektrické sporáky a chladničky.** Při uzemnění vašeho těla vzrůstá riziko úrazu elektrickým proudem.
- c. **Nevystavujte elektrické nářadí dešti nebo vlhkému prostředí.** Vnikne-li do elektrického

nářadí voda, zvýší se riziko úrazu elektrickým proudem.

- d. **S napájecím kabelem zacházejte opatrně. Nikdy nepoužívejte napájecí kabel k přenášení nebo posouvání nářadí a netahajte za něj, chcete-li nářadí odpojit od elektrické sítě. Zabraňte kontaktu kabelu s mastnými, horkými a ostrými předměty nebo pohyblivými částmi.** Poškozený nebo zauzlený napájecí kabel zvyšuje riziko úrazu elektrickým proudem.
  - e. **Při práci s nářadím venku používejte prodlužovací kabely určené pro venkovní použití.** Použití kabelu pro venkovní použití snižuje riziko úrazu elektrickým proudem.
  - f. **Při práci s elektrickým nářadím ve vlhkém prostředí musí být v napájecím okruhu použit proudový chránič (RCD).** Použití proudového chrániče (RCD) snižuje riziko úrazu elektrickým proudem.
- ### 3. Bezpečnost obsluhy
- a. **Při použití elektrického nářadí zůstaňte stále pozorní, sledujte, co provádíte a pracujte s rozvahou. Nepoužívejte elektrické nářadí, jste-li unaveni nebo jste-li pod vlivem drog, alkoholu nebo léků.** Chvilka nepozornosti při práci s elektrickým nářadím může vést k vážnému úrazu.
  - b. **Používejte prvky osobní ochrany. Vždy používejte ochranu zraku.** Ochranné prostředky jako respirátor, neklouzavé pracovní boty, přilba a chrániče sluchu, používané v příslušných podmínkách, snižují riziko poranění osob.
  - c. **Zabraňte náhodnému spuštění nářadí. Před připojením zdroje napětí nebo před vložením akumulátoru a před zvednutím nebo přenášením nářadí zkontrolujte, zda je vypnutý hlavní spínač.** Přenášení elektrického nářadí s prstem na hlavním spínači nebo připojení napájecího kabelu k elektrické síti, je-li hlavní spínač nářadí v poloze zapnuto, může způsobit úraz.
  - d. **Před spuštěním nářadí se vždy ujistěte, zda nejsou v jeho blízkosti klíče nebo seřizovací přípravky.** Seřizovací klíče ponechané na nářadí mohou být zachyceny rotujícími částmi nářadí a mohou způsobit úraz.
  - e. **Nepřekázejte sami sobě. Při práci vždy udržujte vhodný a pevný postoj.** Tak je umožněna lepší ovladatelnost nářadí v neočekávaných situacích.

- f. **Vhodně se oblékejte. Nenoste volný oděv nebo šperky. Dbejte na to, aby se vaše vlasy, oděv a rukavice nedostaly do kontaktu s pohyblivými částmi.** Volný oděv, šperky nebo dlouhé vlasy mohou být pohyblivými díly zachyceny.
- g. **Jsou-li zařízení vybavena adaptérem pro připojení příslušenství k zachytávání prachu, zajistěte jeho správné připojení a řádnou funkci.** Použití těchto zařízení může snížit nebezpečí týkající se prachu.
4. **Použití elektrického nářadí a jeho údržba**
- a. **Elektrické nářadí nepřetěžujte. Používejte pro prováděnou práci správný typ nářadí.** Při použití správného typu nářadí bude práce provedena lépe a bezpečněji.
- b. **Pokud nelze hlavní spínač nářadí zapnout a vypnout, s nářadím nepracujte.** Každé elektrické nářadí s nefunkčním hlavním spínačem je nebezpečné a musí být opraveno.
- c. **Před seřizováním nářadí, před výměnou příslušenství nebo pokud nářadí nepoužíváte, odpojte zástrčku napájecího kabelu od zásuvky nebo z nářadí vyjměte akumulátor.** Tato preventivní bezpečnostní opatření snižují riziko náhodného spuštění nářadí.
- d. **Uložte elektrické nářadí mimo dosah dětí a nedovolte ostatním osobám, které toto nářadí neumí ovládat nebo které neznají tyto bezpečnostní pokyny, aby s tímto elektrickým nářadím pracovaly.** Elektrické nářadí je v rukou nekvalifikované obsluhy nebezpečné.
- e. **Provádějte údržbu elektrického nářadí. Zkontrolujte vychýlení nebo zablokování pohyblivých částí, poškození jednotlivých dílů a jiné okolnosti, které mohou ovlivnit chod nářadí. Je-li nářadí poškozeno, nechejte jej před použitím opravit.** Mnoho nehod bývá způsobeno zanedbanou údržbou nářadí.
- f. **Řezné nástroje udržujte ostré a čisté.** Řádně udržované řezné nástroje s ostrými řeznými břity jsou méně náchylné k zanášení nečistotami a lépe se s nimi manipuluje.
- g. **Používejte elektrické nářadí, příslušenství a držáky nástrojů podle těchto pokynů a berte v úvahu provozní podmínky a práci, která bude prováděna.** Použití elektrického nářadí k jiným účelům, než k jakým je určeno, může být nebezpečné.

## 5. Opravy

- a. **Opravy elektrického nářadí svěřte pouze kvalifikovanému technikovi, který bude používat originální náhradní díly.** Tím zajistíte bezpečný provoz nářadí.

## Doplňkové bezpečnostní pokyny pro práci s elektrickým nářadím



**Varování!** Další bezpečnostní pokyny týkající se nůžek na živý plot.

- ♦ **Veškeré části vašeho těla držte z dosahu řezných čepelí. Neodstraňujte odřezané části nebo nepřidržujte řezaný materiál pokud jsou řezné čepel v chodu. Při odstraňování zaseknutých částí materiálů se ujistěte, zda je spínač v poloze vypnuto.** Chvilka nepozornosti při práci s elektrickým nářadím může vést k vážnému úrazu.
- ♦ **Zahradnické nůžky přenášejte držením za rukojeť se zastavenou čepelí. Během přepravy nebo při uložení vždy na čepel nasad'te pouzdro.** Správná manipulace se zahradnickými nůžkami snižuje možnost úrazu ostřím čepelí.
- ♦ **Elektrické nářadí držte pouze za izolované rukojeti, protože může dojít k zachycení napájecího kabelu nebo skrytého vedení řeznou čepelí.** Při kontaktu s "živým" vodičem se neizolované kovové části nářadí stanou také "živé" a mohou tak obsluze způsobit úraz elektrickým proudem.
- ♦ **Napájecí kabel ved'te mimo pracovní oblast řezu.** Během práce může dojít ke skrytí napájecího kabelu uvnitř keře a k jeho neúmyslnému přeseknutí řeznou čepelí.
- ♦ Určené použití tohoto výrobku je popsáno v tomto návodu. Použití jiného příslušenství nebo přídatného zařízení a provádění jiných pracovních operací než je doporučeno tímto návodem, může představovat riziko zranění obsluhy nebo riziko způsobení hmotných škod.
- ♦ Pokud jste dříve se zahradními nůžkami nepracovali, doporučujeme vám spolu s prostudováním této příručky i provedení praktické instruktáže se zkušeným uživatelem.
- ♦ Během chodu nářadí se nikdy nedotýkejte čepelí.
- ♦ Nikdy se nepokoušejte zastavit kmitající čepelí silou.
- ♦ Nepokládejte zařízení na zem, dokud se čepelí zcela nezastaví.

- ◆ Čepele pravidelně kontrolujte, zda nejsou poškozeny či opotřebený. Pokud jsou čepele poškozeny, s nářadím nepracujte.
- ◆ Během ořezávání se vyhýbejte tvrdým předmětům (např. kovovým drátům, zábradlí). Pokud neúmyslně zachytíte jakýkoliv takový předmět, okamžitě vypněte nářadí a zkontrolujte, zda nedošlo k jeho poškození.
- ◆ Pokud nářadí začne neobvykle vibrovat, okamžitě jej vypněte, odpojte od elektrické sítě a zkontrolujte, zda nedošlo k jeho poškození.
- ◆ Pokud dojde k zaseknutí čepel, okamžitě nářadí vypněte. Před odstraněním jakýchkoliv překážek nářadí odpojte od elektrické sítě.
- ◆ Po skončení práce čepel zakryjte dodaným ochranným pouzdem. Nářadí uložte a ujistěte se, zda není čepel odkryta.
- ◆ Při použití nářadí vždy zajistěte, aby byly všechny kryty na svém místě. Nikdy neprovozujte nářadí nekompletně sestavené nebo s neschválenými úpravami.
- ◆ Zabraňte použití nářadí dětmi.
- ◆ Při práci ve vyšších částech keřů dávejte pozor na padající úlomky.
- ◆ Nářadí držte vždy oběma rukama a jen za jeho vlastní rukojeti.

## Bezpečnost ostatních osob

- ◆ Tento výrobek není určen k použití osobami (včetně dětí) se sníženými fyzickými, smyslovými nebo duševními schopnostmi, nebo s nedostatkem zkušeností a znalostí, pokud těmto osobám nebyl stanoven dohled, nebo pokud jim nebyly poskytnuty instrukce týkající se použití výrobku osobou odpovědnou za jejich bezpečnost.
- ◆ Děti by měly být pod dozorem, aby si s nářadím nehrály.

## Zbytková rizika

Je-li nářadí používáno jiným způsobem, než je uvedeno v příložených bezpečnostních varováních, mohou se objevit dodatečná zbytková rizika. Tato rizika mohou vzniknout v důsledku nesprávného použití, dlouhodobého použití atd. Přestože jsou dodržovány příslušné bezpečnostní předpisy a jsou používána bezpečnostní zařízení, určitá zbytková rizika nemohou být vyloučena. Tato rizika jsou následující:

- ◆ Zranění způsobená kontaktem s jakoukoliv rotující nebo pohybující se částí.
- ◆ Zranění způsobená při výměně dílů, pracovního nástroje nebo příslušenství.

- ◆ Zranění způsobená dlouhodobým použitím nářadí. Používáte-li jakékoli nářadí delší dobu, zajistěte, aby byly prováděny pravidelné přestávky.
- ◆ Poškození sluchu.
- ◆ Zdravotní rizika způsobená vdechováním prachu vytvářeného při použití nářadí (například: - práce se dřevem, zejména s dubovým, bukovým a materiálem MDF).

## Vibrace

Deklarovaná úroveň vibrací uvedená v technických údajích a v prohlášení o shodě byla měřena v souladu se standardní zkušební metodou předepsanou normou EN 60745 a může být použita pro srovnání jednotlivých nářadí mezi sebou. Deklarovaná úroveň vibrací může být také použita k předběžnému stanovení doby práce s tímto nářadím.

**Varování!** Úroveň vibrací při aktuálním použití elektrického nářadí se může od deklarované úrovně vibrací lišit v závislosti na způsobu použití nářadí. Úroveň vibrací může být oproti uvedené hodnotě vyšší.

Při stanovení doby působení vibrací, z důvodu určení bezpečnostních opatření podle normy 2002/44/EC k ochraně osob pravidelně používajících elektrické nářadí v zaměstnání, by měl předběžný odhad působení vibrací brát na zřetel aktuální podmínky použití nářadí s přihlédnutím na všechny části pracovního cyklu, jako jsou doby, při které je nářadí vypnuto a kdy běží naprázdno.

## Štítky na nářadí

Na nářadí jsou následující piktogramy:



**Varování!** Z důvodu snížení rizika způsobení úrazu si uživatel musí přečíst tento návod k obsluze.



Při práci s tímto nářadím používejte ochranné brýle.



Při práci se zařízením používejte ochranu sluchu.



Pokud je napájecí kabel poškozen nebo dojde k jeho přeseknutí, ihned nářadí odpojte od elektrického přívodu.



Zařízení nevystavujte dešti nebo prostředí s vysokou vlhkostí.



Směrnice 2000/14/EC zaručeného akustického výkonu.

## Elektrická bezpečnost



Toto nářadí je opatřeno dvojitou izolací. Proto není nutné použití uzemňovacího vodiče. Vždy zkontrolujte, zda napájecí napětí odpovídá napětí na výkonovém štítku.

- ♦ Je-li poškozen napájecí kabel, musí být vyměněn výrobcem nebo v autorizovaném servisu Black & Decker, aby bylo zabráněno možným rizikům.
- ♦ Při práci s elektrickým nářadím venku používejte prodlužovací kabely určené pro venkovní použití. S tímto výrobkem může být použit vhodný prodlužovací kabel Black & Decker o délce až 30 m, aniž by docházelo ke ztrátám výkonu.
- ♦ Elektrická bezpečnost může být dále zvýšena použitím proudového chrániče (RCD) s vysokou citlivostí 30 mA.

## Popis

Toto nářadí se skládá z některých nebo ze všech následujících částí.

1. Spoušť
2. Spínač na přední rukojeti
3. Přední rukojeť
4. Ochranný kryt
5. Čepel
6. Držák kabelu

## Sestavení

**Varování!** Před sestavením se ujistěte, zda je nářadí vypnuto a odpojeno od elektrické sítě a zda je čepel chráněná pouzdrem.

## Nasazení ochranného krytu (obr. A a B)

- ♦ Z těla nářadí vyjměte dva částečně zapuštěné šrouby.
- ♦ Zasuňte ochranný kryt (4) do drážek.
- ♦ Ochranný kryt dvěma dodanými šrouby (7) zajistěte.

**Varování!** Nikdy nepoužívejte toto nářadí bez krytu.

## Připojení nářadí k elektrické síti (obr. C)

Pokud nářadí není vybaveno napájecím kabelem, bude nutné k napájecímu přívodu připojit prodlužovací kabel.

- ♦ Stranu se zásuvkou vhodného prodlužovacího kabelu připojte k napájecímu přívodu nářadí.
- ♦ Kabel oviňte okolo držáku (6) podle obrázku, aby během používání nářadí nedošlo k jeho odpojení.

- ♦ Sítovou zástrčku zasuňte do sítové zásuvky ve zdi.

**Varování!** Prodlužovací kabel musí být vhodný pro venkovní použití. V případě použití navinovacího kabelu odviňte vždy celou délku kabelu.

## Použití

**Varování!** Nechejte nářadí pracovat jeho vlastním tempem. Zamezte přetěžování nářadí.

## Otočení přední rukojeti (obr. D) (pouze pro model GT4550)

Pro vaše pohodlí a komfort obsluhy lze přední rukojeť natočit do 5 různých poloh.

- ♦ Stiskněte tlačítko otáčení přední rukojeti (8).
- ♦ Přední rukojeť (3) otočte do požadované polohy.
- ♦ Tlačítko otáčení přední rukojeti (8) uvolněte.

**Poznámka:** Přední rukojeť nůžek na živý plot není možné otáčet, pokud jsou nůžky v chodu.

## Zapnutí a vypnutí

**Poznámka:** Z bezpečnostních důvodů je toto nářadí vybaveno systémem dvojitého spínání. Tento systém chrání před neúmyslným spuštěním nářadí a umožňuje chod nářadí pouze pokud je drženo oběma rukama.

### Zapnutí (obr. E)

- ♦ Jednou rukou uchopte přední rukojeť (3) tak, aby byl spínač na přední rukojeti (2) stlačen směrem do jejího těla.
- ♦ Nářadí uvedete do chodu stiskem spouště (1) druhou rukou.

### Vypnutí

- ♦ Uvolněte stisk spínače na přední rukojeti (2) nebo spouště (1).

**Varování!** Nikdy se nepokoušejte zajistit hlavní spínač v poloze zapnuto.

## Rady pro optimální použití

- ♦ Začněte seřezáváním vrchní části živého plotu. Nářadí mírně nakloňte (až 15° vzhledem k linii řezu) tak, aby hroty čepele směřovaly mírně směrem k živému plotu (obr. F). Tím se dosáhne vyšší účinnosti řezání. Držte nářadí v požadovaném úhlu a stabilně jím pohybujte v rovině řezu. Oboustranná čepel vám umožňuje provádět řez v kterémkoliv směru.
- ♦ K dosažení velmi přesného řezu napněte po celé délce živého keře v požadované výšce provázek. Provázek použijte jako vodítko a řez provádějte těsně nad ním (obr. G).

- ♦ Zcela plochých stran dosáhnete provedením řezu směrem ze zdola nahoru ve směru růstu. Mladé výhonky se při řezu směrem dolů vychylují směrem ven, a tak vznikají v živém plotu při řezu prohlubně (obr. H).
- ♦ Dávejte pozor, abyste nezachytili za cizí předmět. Zvláště se vyvarujte zachycení tvrdých předmětů, jako jsou kovové dráty a zábradlí, mohlo by tak dojít k poškození čepelí (obr. I).
- ♦ Čepele pravidelně mažte.

### Pokyny k seřezávání

- ♦ Živé ploty a keře se sezónními listy (nové listy každý rok) řežte v červnu a říjnu.
- ♦ Stále zelené dřeviny seřezávejte v dubnu a srpnu.
- ♦ Jehličnany a další rychle rostoucí keře seřezávejte od května do října každých šest týdnů.

### Pokyny k seřezávání (Austrálie & Nový Zéland)

- ♦ Živé ploty a keře se sezónními listy (nové listy každý rok) řežte v prosinci a březnu.
- ♦ Stále zelené dřeviny seřezávejte v září a únoru.
- ♦ Jehličnany a další rychle rostoucí keře seřezávejte od října do března každých šest týdnů.

### Příslušenství

Výkon vašeho nářadí záleží na používaném příslušenství. Příslušenství Black & Decker a Piranha jsou navržena a vyrobená podle norem pro vysokou kvalitu a jsou určena pro zvýšení výkonu vašeho nářadí. Použitím tohoto příslušenství docílíte toho nejlepšího výsledku, který vám vaše nářadí může poskytnout. Mazací olej si můžete zakoupit u vašeho značkového prodejce Black & Decker (kat. č. A6102-XJ).

### Údržba

Vaše nářadí Black & Decker bylo zkonstruováno tak, aby pracovalo po dlouhou dobu s minimálními nároky na údržbu. Řádná péče o výrobek a jeho pravidelné čištění vám zajistí jeho bezproblémový chod.

**Varování!** Před prováděním jakékoli údržby elektrického nářadí napájeného z akumulátoru nebo nářadí opatřeného napájecím kabelem:

- ♦ Vypněte zařízení / nářadí a odpojte napájecí kabel od sítě.

- ♦ Nebo zařízení / nářadí vypněte a vyjměte z něj akumulátor, je-li zařízení / nářadí napájeno snímatelným akumulátorem.
- ♦ Nebo nelze-li akumulátor vyjmout, nechejte nářadí v chodu, dokud nedojde k jeho úplnému vybití.
- ♦ Před čištěním nabíječky odpojte nabíječku od sítě. Vaše nabíječka nevyžaduje žádnou údržbu mimo pravidelné čištění.
- ♦ Větrací otvory nářadí a nabíječky pravidelně čistěte měkkým kartáčem nebo suchým hadříkem.
- ♦ Pomocí vlhkého hadříku pravidelně čistěte kryt motoru. Nepoužívejte žádné abrazivní čisticí prostředky nebo rozpouštědla.
- ♦ Po každém použití pečlivě očistěte čepele. Po čištění naneste na čepele olejový film, aby nerezavěly.

### Výměna síťové zástrčky (pouze pro Velkou Británii a Irsko)

Budete-li instalovat novou zástrčku napájecího kabelu:

- ♦ Zajistěte ekologickou likvidaci staré zástrčky.
- ♦ Připojte hnědý vodič ke svorce pod napětím na nové zástrčce.
- ♦ Modrý vodič připojte k nulové svorce.

**Varování!** Na zemnicí svorku nebude připojen žádný vodič. Dodržujte montážní pokyny dodávané s kvalitními zástrčkami. Doporučená pojistka: 5 A.

### Ochrana životního prostředí



Třídte odpad. Tento výrobek nesmí být likvidován v běžném komunálním odpadu.

Pokud nebudete výrobek Black & Decker dále používat nebo přejete-li si jej nahradit novým, nelikvidujte jej spolu s běžným komunálním odpadem. Zajistěte likvidaci tohoto výrobku v tříděném odpadu.



Tříděný odpad umožňuje recyklaci a opětovné využití použitých výrobků a obalových materiálů. Opětovné použití recyklovaných materiálů pomáhá chránit životní prostředí před znečištěním a snižuje spotřebu surovin.

Při zakoupení nových výrobků vám prodejny, místní sběrný odpadů nebo recyklační stanice poskytnou informace o správné likvidaci elektroodpadů z domácnosti.

Společnost Black & Decker poskytuje službu sběru a recyklace výrobků Black & Decker po skončení jejich provozní životnosti. Chcete-li získat výhody této služby, odevzdejte prosím váš výrobek kterémukoli autorizovanému zástupci servisu, který nářadí odebere a zajistí jeho recyklaci.

Místo nejbližšího autorizovaného servisu Black & Decker naleznete na příslušné adrese uvedené v tomto návodu. Seznam autorizovaných servisů Black & Decker a podrobnosti o poprodejním servisu naleznete také na internetové adrese: [www.2helpU.com](http://www.2helpU.com).

## Technické údaje

		GT4245 (Typ 1)	GT4550 (Typ 1)
Napájecí napětí	$V_{AC}$	230	230
Příkon	W	420	450
Zdvihy nožů (chod naprázdno)	$\text{min}^{-1}$	1960	1815
Délka řezné lišty	cm	45	50
Rozeč zubů	mm	16	18
Doba automatického zastavení řezné lišty	s	<1	<1
Hmotnost	kg	2,1	2,4

### Hladina akustického tlaku podle normy EN 60745:

Akustický tlak ( $L_{pA}$ ) 73 dB(A), odchylka (K) 3 dB(A), akustický výkon ( $L_{wA}$ ) 93 dB(A), odchylka (K) 3 dB(A)

### Celková úroveň vibrací (prostorový vektorový součet) podle normy EN 60745:

Úroveň vibrací ( $a_{h,D}$ ) 2,3  $\text{m/s}^2$ , odchylka (K) 1,5  $\text{m/s}^2$

## ES Prohlášení o shodě

SMĚRNICE PRO STROJNÍ ZAŘÍZENÍ  
NAŘÍZENÍ TÝKAJÍCÍ SE VNĚJŠÍHO HLUKU



GT4245 / GT4550

Společnost Black & Decker prohlašuje, že tyto produkty popisované v technických údajích splňují požadavky následujících norem: 2006/42/EC, EN 60745-1, EN 60745-2-15.

2000/14/EC, Nůžky na živé ploty 1960  $\text{min}^{-1}$ , Příloha V

Měřený akustický výkon ( $L_{pA}$ )	93 dB(A)
Odchylka (K)	3 dB(A)
Zaručený akustický výkon ( $L_{pA}$ )	96 dB(A)
Odchylka (K)	3 dB(A)

Tyto výrobky splňují také požadavky směrnice 2004/108/EC. Chcete-li získat další informace, kontaktujte prosím společnost Black & Decker na následující adrese nebo na adresách, které jsou uvedeny na konci tohoto návodu.

Níže podepsaná osoba je odpovědná za sestavení technických údajů a provádí toto prohlášení v zastoupení společnosti Black & Decker.

Kevin Hewitt  
Viceprezident pro spotřebitelskou techniku  
Black & Decker Europe, 210 Bath Road, Slough,  
Berkshire, SL1 3YD  
United Kingdom  
22/08/2011

## Záruka

Společnost Black & Decker je přesvědčena o kvalitě svých výrobků a nabízí mimořádnou záruku. Tato záruka je nabízena ve prospěch zákazníka a nijak neovlivní jeho zákonná záruční práva. Tato záruka platí ve všech členských státech EU a evropské zóny volného obchodu EFTA.

Objeví-li se na výrobku Black & Decker, v průběhu 24 měsíců od zakoupení, jakékoli materiálové či výrobní vady, společnost Black & Decker garantuje ve snaze o minimalizování vašich starostí bezplatnou výměnu vadných dílů, opravu nebo výměnu celého výrobku za níže uvedených podmínek:

- ◆ Výrobek nebyl používán pro obchodní nebo profesionální účely a nedocházelo k jeho pronájmu;
- ◆ Výrobek nebyl vystaven nesprávnému použití a nebyla zanedbána jeho předepsaná údržba;
- ◆ Výrobek nebyl poškozen cizím zaviněním;
- ◆ Opravy nebyly prováděny jinými osobami, než autorizovanými opraváři nebo mechaniky autorizovaného servisu Black & Decker.

Požadujete-li záruční opravu, budete muset prodejci nebo zástupci autorizovaného servisu předložit doklad o zakoupení výrobku. Místo nejbližšího autorizovaného servisu Black & Decker naleznete na příslušné adrese uvedené v tomto návodu. Seznam autorizovaných servisů Black & Decker a podrobnosti o poprodejním servisu naleznete také na internetové adrese: **www.2helpU.com**.

Navštivte prosím naše internetové stránky **www.blackanddecker.co.uk**, kde můžete zaregistrovat váš nový výrobek Black & Decker a kde můžete získat informace o našich nových výrobcích a speciálních nabídkách. Na adrese **www.blackanddecker.co.uk** jsou k dispozici další informace o značce Black & Decker a o celé řadě našich dalších výrobků.

## Rendeltetésszerű használat

Szívből gratulálunk új Black & Decker Sövényvágójához. Ezt a készüléket sövények, cserjék és bokrok nyírására terveztük. A Sövényvágó iparszerű felhasználásra nem alkalmas.

## Biztonságtechnikai előírások

### Általános biztonságtechnikai figyelmeztetések



**Figyelmeztetés!** Olvasson el minden biztonsági figyelmeztetést és útmutatást. Az alábbi figyelmeztetések és útmutatások figyelmen kívül hagyása áramütést, tüzet és/vagy súlyos sérülést okozhat.

**Kérjük, gondosan őrizze meg a kezelési útmutatót, hogy a későbbiekben is bármikor utánanézhesen a géppel kapcsolatos összes információknak.** Az „elektromos szerszám” kifejezés a figyelmeztetésekben az Ön által használt, hálózatról (vezetékes) vagy akkumulátorral üzemeltetett (vezeték nélküli) elektromos szerszámot jelenti.

#### 1. A munkaterület biztonsága

- Tartsa a munkaterületet tisztán, és világítsa jól ki.** A rendetlen vagy sötét munkaterület növeli a balesetveszélyt.
- Ne használja az elektromos szerszámot robbanásveszélyes légtérben, például gyúlékony folyadékok, gázok vagy por jelenlétében.** Az elektromos szerszámokban képződő szikrától a por vagy a gázok meggyulladhatnak.
- Az elektromos szerszám használata közben tartsa távol a gyermekeket és az arra járókat.** Ha elterelik a figyelmét, elveszítheti a szerszám feletti uralmát.

#### 2. Elektromos biztonság

- Az elektromos kéziszerszám dugasza a hálózati csatlakozóaljzat kialakításának megfelelő legyen. Soha ne alakítsa át a csatlakozódugaszt. Földelt elektromos szerszámhoz ne használjon adapter dugaszt.** Eredeti (nem átalakított) csatlakozó és ahhoz illő fali aljzatok használata mellett kisebb az áramütés veszélye.
- Ügyeljen arra, hogy teste ne érintkezzék földelt felületekkel, például csővezetékekkel, radiátorral, tűzhellyel vagy hűtőszekrénnyel.** Ha a teste feléledelődik, nagyobb az áramütés veszélye.

- Esőtől és egyéb nedvességtől óvja az elektromos szerszámokat.** Ha víz kerül az elektromos szerszámba, nagyobb az áramütés veszélye.
- Bánjon gondosan a kábellel. Soha ne a kábelnél fogva vigye a gépet, és kérjük, ne a kábelnél fogva húzza ki a villásdugót a konnektorból. Tartsa távol a kábel és szélektől, mozgó alkatrészekről, védje olajtól és hőtől.** Sérült vagy összetekeredett hálózati kábel használata megnöveli az áramütés kockázatát.
- Ha a szabadban használja az elektromos szerszámot, kültéri használatra alkalmas hosszabbító kábelt vegyen igénybe.** Kültéri használatra alkalmas hosszabbító kábellel csökkenti az áramütés veszélyét.
- Ha az elektromos szerszám nedves helyen való használata elkerülhetetlen, alkalmazzon maradékáram megszakítóval (RCD) védett áramforrást.** Maradékáram megszakító használata mellett kisebb az áramütés veszélye.

#### 3. Személy védelem

- Soha ne veszítse el éberségét, figyeljen a munkájára, használja a józan eszét, amikor elektromos szerszámmal dolgozik. Ne dolgozzon elektromos szerszámmal, ha fáradt, ha gyógyszer, alkohol hatása vagy gyógykezelés alatt áll.** Elektromos szerszám használata közben egy pillanatra figyelmen kívül is súlyos személyi sérülést okozhat.
- Viseljen személyi védőfelszerelést. Mindig viseljen védőszemüveget.** A munkakörülményekhez illő védőberendezések (például pormaszk, biztonsági csúszásmentes cipő, védősisak vagy hallásvédő) csökkentik a személyi sérülés veszélyét.
- Gondoskodjon arról, hogy a szerszám ne indulhasson be véletlenül. Ellenőrizze, hogy a szerszám kapcsolója kikapcsolt állásban van-e, mielőtt a szerszámot a hálózatra és/vagy akkumulátorra csatlakoztatja, a kezébe veszi vagy hordozza.** Ne hordozza a feszültség alatt lévő szerszámot ujjával az üzemi kapcsolón, mivel az balesethez vezethet.
- Távolítsa el a beállításához használt kulcsot vagy csavarkulcsot, mielőtt bekapcsolja az elektromos szerszámot.** Forgó alkatrészre felejtett kulcs a szerszám beindulásakor személyi sérülést okozhat.



- e. **Ne nyúljon ki túlságosan messzire. Kerülje a rendellenes testtartást, és egyensúlyát soha ne veszítse el munkavégzés közben.** Így jobban irányíthatja a készüléket, még váratlan helyzetekben is.
- f. **Megfelelő öltözetet viseljen. Ne hordjon ékszert vagy laza ruházatot munkavégzés közben. Haját, ruháját és kesztyűjét tartsa távol a mozgó alkatrészekről.** A laza ruházat, az ékszerek vagy a hosszú haj beleakadhatnak a mozgó alkatrészekbe.
- g. **Ha a készüléken megtalálható a porelszívási lehetőség, vagy a porzsák, úgy ügyeljen arra, hogy megfelelően csatlakoztassa és használja ezeket munka közben.** Porgyűjtő használatával csökkenthetők a porral kapcsolatos veszélyek.
- 4. Elektromos szerszámok használata és gondozása**
- a. **Ne erőltesse az elektromos szerszámot. A munkafeladatnak megfelelő szerszámot használja.** A termékkel jobban és biztonságosabban elvégezheti a munkát, hogy ha a teljesítmény kategóriájának megfelelően használja.
- b. **Ne használja az elektromos szerszámot, ha a kapcsoló nem működőképes.** Bármely kéziszerszám használata, amely nem irányítható megfelelően az üzemi kapcsolóval, nagyon veszélyes, ezért azonnal meg kell javíttatni a kapcsolót, ha sérült vagy nem működőképes.
- c. **Mielőtt beállítást végez vagy változtat, vagy tartozékot cserél a szerszámon, illetve mielőtt eltávolítja, húzza ki a készülék dugaszát a konnektorból és/vagy az akkumulátorról.** Ezekkel a megelőző biztonsági intézkedésekkel csökkenti a szerszám véletlen beindulásának esélyét.
- d. **A használaton kívüli elektromos szerszámot olyan helyen tárolja, ahol gyermekek nem férhetnek hozzá; és ne engedje, hogy olyan személyek használják, akik nem ismerik a szerszámot vagy ezen útmutatásokat.** Az elektromos kéziszerszámok használata veszélyes lehet nem képzett felhasználók kezében.
- e. **Tartsa karban az elektromos szerszámokat. Ellenőrizze a részegységeket, olajozásukat, esetleg előforduló töréseit, a kézvédő vagy a kapcsoló sérüléseit és minden olyan rendellenességet, ami befolyásolhatja**

a készülék használatát. Ha sérült a szerszám, használat előtt javíttassa meg. A nem megfelelően karbantartott elektromos szerszámok számos balesetet okoznak.

- f. **A vágószerszámokat tartsa mindig élesen és tisztán.** A megfelelően karbantartott éles vágóél kisebb valószínűséggel szorul be, és könnyebben irányítható.
- g. **Az elektromos szerszámot, tartozékokat, szerszámbefogókat stb. ezeknek az útmutatásoknak megfelelően használja, a munkakörülmények és az elvégzendő feladat figyelembe vételével.** Az elektromos szerszám nem rendeltetésszerű használata veszélyhelyzetet teremthet.

## 5. Javítás

- a. **Javítást csak szakszerviz végezhet, és csak eredeti gyári alkatrészeket szabad felhasználni.** Ezzel biztosítja az elektromos szerszám folyamatos biztonságát.

## Elektromos szerszámokra vonatkozó kiegészítő biztonsági figyelmeztetések



**Figyelmeztetés!** Kiegészítő biztonsági figyelmeztetések sövényvágókhoz

- ◆ **Testének minden egyes részét tartsa távol a vágókéstől. Ne távolítsa el a levágott anyagot, és ne tartsa a vágni kívánt anyagot, amíg a vágókések működésben vannak. Ha a szerszámból el akarja távolítani az elakadt anyagot, ellenőrizze, hogy a kapcsoló kikapcsolt állásban van-e.** Elektromos szerszám használata közben egy pillanatnyi figyelmetlenség is súlyos személyi sérülést okozhat.
- ◆ **A sövényvágót csak akkor hordozza a kezében, amikor a vágókés már leállt. Ha a sövényvágót a kezében hordozza vagy a tárolóhelyére elteszi, mindig helyezze rá a védőburkolatot a vágókésre.** A sövényvágó helyes kezelése mellett kisebb a személyi sérülés veszélye.
- ◆ **A készüléket csak a szigetelt markolati felületen tartsa, mert a befogott tartozék hozzáérhet rejtett vezetékhez vagy a szerszám hálózati kábeléhez.** Ha a vágóél áram alatt lévő vezetékhez ér, akkor az elektromos szerszám fémalkatrészei is elektromossá válnak és megrázhathják a kezelőt.
- ◆ **A kábelt tartsa távol a vágási területtől.** Ha bokros területen dolgozik, a sövényvágó kábelét a növényzet eltakarhatja, és így véletlenül elvághatja a kábelt.

- ◆ A szerszám rendeltetészerű használatát ebben a kézikönyvben ismertetjük. A kézikönyvben nem ajánlott tartozék vagy szerelék használata, illetve az ebben fel nem sorolt művelet végzése személyi sérülés és/ vagy anyagi kár veszélyével járhat.
- ◆ Ha korábban még nem használt sövényvágót, lehetőleg kérjen gyakorlati tanácsokat egy gyakorlott felhasználótól – a kézikönyv áttanulmányozásán túl is.
- ◆ Soha ne érjen a vágókésekhez, amíg a szerszám működésben van.
- ◆ Soha ne próbálja erőszakkal leállítani a vágókéseket.
- ◆ Addig ne tegye le a szerszámot, amíg a vágókések teljesen le nem álltak.
- ◆ Rendszeresen ellenőrizze, nem sérültek vagy kopottak-e a vágókések. Ne használja a szerszámot, ha a vágókések sérültek.
- ◆ Legyen óvatos, sövényvágás közben kerülje ki a kemény tárgyakat (pl. fémhuzalok, kerítések). Ha véletlenül ilyen tárgyba ütközne, azonnal kapcsolja ki a szerszámot, és ellenőrizze, nem keletkezett-e rajta sérülés.
- ◆ Ha a szerszám rendellenesen kezd vibrálni, azonnal kapcsolja ki, áramtalanítsa és ellenőrizze, nem sérült-e.
- ◆ Ha a szerszám megszorul, azonnal kapcsolja ki. Mielőtt a az elakadást okozó anyagot eltávolítaná, áramtalanítsa a szerszámot.
- ◆ Használat után tegye rá a vágókésekre a mellékelt borítót. A szerszámot befedett vágókéssel tegye el a tárolóhelyére.
- ◆ Használat előtt győződjön meg arról, hogy a szerszámra minden védőeszköz fel van szerelve. Soha ne próbáljon nem teljesen ép vagy engedély nélkül átalakított szerszámot használni.
- ◆ Soha se engedje, hogy a szerszámot gyermekek használják.
- ◆ Amikor a sövény magasabb részét nyírja, számítson leeső törmelékre.
- ◆ A szerszámot mindig két kézzel, a fogantyúinál tartsa.

## Mások biztonsága

- ◆ Ezt a szerszámot nem használhatják olyan személyek (a gyermekeket is beleértve), akik nincsenek fizikai, érzékelési vagy mentális képességeik teljes birtokában, vagy nincs meg a szükséges tapasztalatuk és tudásuk, kivéve, ha a biztonságukért felelős személy felügyeletet vagy a készülék használatához megfelelő kioktatást biztosít számukra.

- ◆ Ügyeljen arra, hogy gyermekek ne játsszanak a szerszámmal.

## Maradványkockázatok

A szerszám használata további, a biztonsági figyelmeztetések között esetleg nem szereplő maradványkockázatokkal járhat. Ezek a szerszám rendeltetésétől eltérő, illetve huzamosabb idejű használatából stb. adódhatnak.

Bizonyos kockázatok a vonatkozó biztonsági előírások betartása és a védőberendezések használata ellenére sem kerülhetők el. Ezek a következők lehetnek:

- ◆ Forgó-mozgó alkatrészek megérintése miatti sérülések.
- ◆ Alkatrészek, vágópengék, tartozékok cseréje közben bekövetkező sérülések.
- ◆ A szerszám huzamosabb idejű használata által okozott sérülések. Ha a szerszámot huzamosabb ideig használja, rendszeresen iktasson be szüneteket.
- ◆ Halláskárosodás.
- ◆ A szerszám használata közben keletkező por belégzése által okozott egészségi veszély (például: - fa, különösen tölgy, bükk és MDF lapok megmunkálásakor).

## Vibráció

A műszaki adatlapon és a megfelelőségi nyilatkozatban feltüntetett vibráció kibocsátási értékeket az EN 60745 szabványnak megfelelően határoztuk meg, így azok felhasználhatók az egyes szerszámoknál mért értékek összehasonlítására is. A megadott érték felhasználható a vibrációnak való kitettség mértékének előzetes becsléséhez is.

**Figyelmeztetés!** A tényleges vibráció kibocsátási érték az elektromos szerszám használata során eltérhet a feltüntetett értéktől, a használat módjától függően. A tényleges vibrációs szint az itt feltüntetett szint fölé is emelkedhet.

A 2002/44/EK irányelv által a géppel rendszeresen dolgozók számára megkövetelt szükséges biztonsági intézkedések meghatározásához végzett vibrációs kitettség kiértékelése során a kitettség kiértékelésénél a napi kitettséget jelentő időn túl figyelembe kell venni a tényleges használat körülményeit, illetve azt, hogy a szerszámot hogyan használják, ideértve a munkafolyamat minden egyes részét, pl. azokat az időszakokat is, amikor a szerszám ki van kapcsolva vagy üresen jár.

## Címkék a szerszámon

A szerszámon a következő piktogramok láthatók:



**Figyelem!** Sérülésveszély csökkentéséhez, figyelmesen olvassa el a kezelési útmutatót a készülék üzembe helyezése előtt.



A szerszám használata közben viseljen védőszemüveget.



A szerszám használata közben viseljen hallásvédőt.



Azonnal áramtalanítsa a hálózati tápkábelt, ha megsérül vagy ha elvágja.



Ne tegye ki a szerszámot esőnek, nedvességnek.



Hangteljesítmény a 2000/14/EK irányelv szerint garantálva.

## Elektromos biztonság



Ez a szerszám kettős szigetelésű; ezért nincs szükség földelő vezetékre. Mindig ellenőrizze, hogy a szerszám adattábláján megadott feszültség egyezik-e az áramforrás hálózati feszültségével.

- ◆ Ha a hálózati kábel sérült, a veszély elkerülése érdekében cseréltesse ki a gyártóval vagy egyik hivatalos Black & Decker szakszervizzel.
- ◆ Ha a szabadban használja az elektromos szerszámot, kültéri használatra alkalmas hosszabbító kábelt vegyen igénybe. Teljesítmény csökkenés nélkül max. 30 m hosszú 1,5 mm<sup>2</sup> HO5VV-F hosszabbító kábel használható.
- ◆ Az elektromos biztonság tovább növelhető egy nagy érzékenyséű 30 mA értékű hibaáramvédő kapcsoló (FI relé) beiktatásával.

## Részegységek

A szerszám az alábbi részegységek némelyikét vagy mindegyikét tartalmazza.

1. Fogantyúkapcsoló
2. Elülső fogantyúkapcsoló
3. Elülső fogantyú
4. Védőburkolat
5. Vágókés
6. Hálózati kábel tehermentesítő

## Összeszerelés

**Figyelem!** Mielőtt elkezdi az összeszerelés, győződjön meg arról, hogy a készülék ki van

kapcsolva, és a hálózati csatlakozó le van választva az áramforrásról, valamint a késtok a késen van.

## A védőburkolat felszerelése (A és B ábra)

- ◆ Tekerje ki a két részben becsavart csavart a készülék motorházából.
- ◆ Helyezze a védőburkolatot (4) a felfogó konzolba.
- ◆ Rögzítse a védőburkolatot a konzolba a két csavar (7) segítségével.

**Figyelem!** Soha ne használja a készüléket a védőburkolat nélkül.

## A készülék csatlakoztatása az elektromos hálózatra (C ábra)

Amennyiben a szerszám nincs felszerelve hálózati kábellel, hosszabbító kábelt kell csatlakoztatnia a szerszámon lévő kábelbemenethez.

- ◆ Csatlakoztassa az erre alkalmas hosszabbító kábelt a készülék dugaszoló aljzatához.
- ◆ Hurkolja a kábelt a tehermentesítőre (6) az ábra szerint, így megelőzheti a hosszabbító kábel működtetés közbeni véletlenszerű kihúzását.
- ◆ A hosszabbító kábelt csatlakoztassa a hálózati tápellátásra.

**Figyelem!** Csak szabadtéri használatra alkalmas hosszabbító kábelt használjon! Amennyiben kábeldobon lévő hosszabbító kábelt használ, úgy azt a munka megkezdése előtt mindig teljesen tekerje le.

## A szerszám használata

**Figyelmeztetés!** Hagyja a készüléket saját tempójában működni. Ne terhelje túl.

## Elülső fogantyú elforgatása (D ábra) (csak a GT4550 típusnál)

A kényelmes használat érdekében az elülső fogantyú 5 állásba elforgatható.

- ◆ Nyomja be az elülső fogantyú forgatógombját (8).
- ◆ Fordítsa az elülső fogantyút (3) a kívánt helyzetbe.
- ◆ Engedje el az elülső fogantyú forgatógombját (8).

**Megjegyzés:** Az elülső fogantyú nem forgatható, amíg a szerszám működésben van.

## A szerszám be- és kikapcsolása

**Megjegyzés:** Az Ön biztonsága érdekében ez a szerszám kettős kapcsolórendszerrel van felszerelve. Ez megakadályozza a szerszám véletlen beindulását, és csak akkor engedi

a szerszám működtetését, ha azt mindkét kezével tartja.

### Bekapcsolás (E ábra)

- ◆ Fogja meg az elülső fogantyút (3) az egyik kezével és tartsa benyomva az elülső fogantyúkapcsolót (2) úgy, hogy az a készüléktestbe süllyedjen.
- ◆ Másik kezével húzza be a fogantyúkapcsolót (1) a készülék beindításához.

### Kikapcsolás

- ◆ Engedje el az elülső fogantyúkapcsolót (2) vagy a fogantyúkapcsolót (1).

**Figyelem!** Soha ne próbálja meg a kapcsolók rögzítését, reteszelését működő készüléknél.

## Javaslatok az optimális munkavégzéshez

- ◆ Mindig a sövény tetején kezdje a vágást. Kissé döntse meg a készüléket (maximum 15°-ban a vágási vonalhoz képest) úgy, hogy a kés fogai a sövény irányába mutassanak (F ábra). Így a kések még hatékonyabban fognak vágni. Tartsa a készüléket a kívánt szögben és mozgassa egyenletesen a vágási vonal mentén. A kétoldali késnek köszönhetően bármely irányban vághat a készülékkel.
- ◆ A tökéletesen egyenes vágás eléréséhez feszítsen ki egy zsinórt a sövény hossza mentén a kívánt magasságban. Használja a zsinórt vezetővonalként úgy, hogy csak közvetlenül felette vág (G ábra).
- ◆ A síkfelület megtartásához, vágjon felfelé a növekedési iránynak megfelelően. A fiatalabb hajtások kibújhatnak, ha a kés lefelé vág, így a sövényben kisebb egyenetlenség jöhet létre (H ábra).
- ◆ Ügyeljen arra, hogy idegen tárgyakhoz ne érjen a készülék. Különösen kerülje el a kemény tárgyakat, mint például fémdrót és kerítés, melyek a késeket károsíthatják (I ábra).
- ◆ Rendszeresen olajozza a késeket.

## Útmutató a sövényvágáshoz

- ◆ A lombhullató (minden évben új leveleket hajtó) sövényeket és bokrokat júniusban és októberben nyírja.
- ◆ Az örökzöldeket áprilisban és augusztusban nyírja.
- ◆ A túlevelű és más gyorsan növő bokrokat május és október között hathetente nyírja.

## Útmutató a sövényvágáshoz (Ausztrália és Új-Zéland)

- ◆ A lombhullató (minden évben új leveleket hajtó) sövényeket és bokrokat decemberben és márciusban nyírja.
- ◆ Az örökzöldeket szeptemberben és februárban nyírja.
- ◆ A túlevelű és más gyorsan növő bokrokat október és március között hathetente nyírja.

## Tartozékok

A szerszám teljesítménye függ a felhasznált tartozéktól. A Black & Decker és Piranha tartozékok magas minőségi követelményeknek megfelelően készültek, és tervezésükkor a szerszám teljesítményének optimalizálása volt a fő cél. A fenti tartozékok felhasználásával a legjobb teljesítményt érheti el.

A kenőolajat Black & Decker forgalmazójától szerezheti be, (termékkód: A6102-XJ).

## Karbantartás

Az Ön vezetékes/vezeték nélküli Black & Decker készülékét/szerszámát minimális karbantartás mellett hosszú távú használatra terveztük. A készülék folyamatosan kielégítő működése nagymértékben függ az alapos ápolástól és a rendszeres tisztítástól.

**Figyelmeztetés!** Vezetékes/vezeték nélküli elektromos szerszámok karbantartása előtt:

- ◆ Kapcsolja ki és áramtalanítsa a készüléket/szerszámot.
- ◆ Vagy pedig kapcsolja ki, és ha kivehető, vegye ki az akkumulátort a készülékből/szerszámból.
- ◆ Vagy pedig merítse le teljesen az akkumulátort, ha az a szerszámmal egybe van építve, majd ezután kapcsolja ki a szerszámot.
- ◆ Tisztítás előtt húzza ki a töltő dugaszát. Az Ön töltőkészüléke a rendszeres tisztításon kívül más karbantartást nem igényel.
- ◆ Puha kefével vagy száraz ronggyal rendszeresen tisztítsa a készülék/szerszám/töltő szellőzőnyílásait.
- ◆ Nedves ronggyal rendszeresen tisztítsa le a motorburkolatot. Ne használjon súroló hatású vagy oldószer alapú tisztítószert.
- ◆ Használat után gondosan tisztítsa meg a vágókéseket. Tisztítás után a rozsdásodás megelőzése céljából kenjen vékony réteg gépolajat a vágókésekre.

## Tápcsatlakozó cseréje (csak az Egyesült Királyságban és Írországban)

Ha új tápcsatlakozó dugaszra van szüksége:

- ♦ A régi dugaszt biztonságos módon semmisítse meg.
- ♦ A barna vezetékét kösse az új csatlakozódugó fázis csatlakozójához.
- ♦ A kék vezetékét csatlakoztassa a nulla érintkezőhöz.

**Figyelmeztetés!** A földelő csatlakozóhoz nem kell vezetékét kötnie. Kövesse a minőségi dugaszokhoz mellékelt szerelési útmutatót. Ajánlott biztosíték: 5 A.

## Környezetvédelem



Elkülönített begyűjtés. Ezt a készüléket el kell különíteni a normál háztartási hulladéktól.

Egy napon, mikor készüléke eléri technikai élettartamának végét, vagy nincs további szüksége rá, gondoljon a környezetvédelemre. A terméket a normál háztartási hulladéktól elkülönítve kell megsemmisíteni.



Az elhasználdott termékek és csomagolások elkülönített begyűjtése lehetővé teszi, ezek újrahasznosítását. Újrahasznosított vagy újra feldolgozott anyagok segítségével a környezetszennyezés, illetve a nyersanyagok iránti igény nagymértékben csökkenthető.

A helyi előírások rendelkezhetnek az elektromos készülékek háztartási hulladéktól elkülönített begyűjtéséről, helyhatósági hulladéklerakó helyeken vagy a kereskedők által új termék megvásárlásakor

Black & Decker termékeire az élettartamuk lejártával visszavételi lehetőséget kínál. Ez a szolgáltatás ingyenes. Ha igénybe veszi ezt a szolgáltatást, kérjük, juttassa el készülékét a legközelebbi Black & Decker szervizbe, melyekről a Magyarországi Képviseletnél érdeklődhet.

Az Önhöz legközelebbi márkaszerviz címét a helyi Black & Decker képviselettől vagy ebből a kézikönyvből tudhatja meg. A szervizzel kapcsolatosan a következő Internet oldalon is felvilágosítást kaphat: [www.2helpU.com](http://www.2helpU.com).

## Műszaki adatok

	GT4245 (1-es típus)	GT4550 (1-es típus)
Feszültség	V <sub>AC</sub> 230	230
Felvett teljesítmény	W 420	450
Vágókés löketszáma (üresjárati)	min <sup>-1</sup> 1960	1815
Vágókés hossza	cm 45	50
Vágásátmérő / késnyílás	mm 16	18
Késfék	mp < 1	< 1
Súly	kg 2,1	2,4

### Hangnyomásszint az EN 60745 szabvány szerint:

Hangnyomás (L<sub>pa</sub>) 73 dB(A), bizonytalanság (K) 3 dB(A),  
Hangteljesítmény (L<sub>WA</sub>) 93 dB(A), bizonytalanság (K) 3 dB(A)

### A vibráció értékeinek összege (triax vektor összeg) a következő szabvány alapján EN 60745:

Vibráció kibocsátási érték (a<sub>h,d</sub>) 2,3 m/s<sup>2</sup>,  
bizonytalanság (K) 1,5 m/s<sup>2</sup>

**CE megfelelési nyilatkozat**

GÉPEKRE VONATKOZÓ IRÁNYELV  
KÜLTÉRI BERENDEZÉSEK ZAJKIBOCSÁTÁSI  
KÖVETELMÉNYEIRE VONATKOZÓ IRÁNYELV



**GT4245 / GT4550**

A Black & Decker kijelenti, hogy a „Műszaki adatok” című fejezetben ismertetett termékek megfelelnek a következő irányelveknek és szabványoknak: 2006/42/EK, EN 60745-1, EN 60745-2-15.

2000/14/EK, Sövényvágó 1960 min<sup>-1</sup>, V. melléklet

Méret hangteljesítmény ( $L_{pA}$ )	93 dB(A)
Bizonytalanság (K)	3 dB(A)
Garantált hangteljesítmény ( $L_{pA}$ )	96 dB(A)
Bizonytalanság (K)	3 dB(A)

Ezek a termékek a 2004/108/EK irányelvnek is megfelelnek. További tájékoztatásért forduljon a Black & Decker vállalatához az alábbi címen vagy a kézikönyv hátoldalán található elérhetőségeken.

Az aláírás tulajdonosa a műszaki adatok összeállításáért felelős személy; nyilatkozatát a Black & Decker vállalat nevében adja.

Kevin Hewitt  
Alelnök, Global Engineering  
Black & Decker Europe, 210 Bath Road, Slough,  
Berkshire, SL1 3YD  
Egyesült Királyság  
2011. 08. 22.

**Garancia határozat**

A Black & Decker elhivatott a termékei minősége iránt, és kiterjesztett garanciát kínál. Ez a garanciahatározat csak kiegészíti és semmi esetre sem befolyásolja hátrányosan az Ön törvényes jogait. A garancia az Európai Unió tagállamai területén, valamint az Európai Szabadkereskedelmi Társulás (EFTA) területén érvényes.

Ha egy Black & Decker termék anyaghiba, a kivitelezés módja vagy a megfelelés hiánya miatt meghibásodik, az eladás dátumától számított 24 hónapig a Black & Decker garanciát vállal a hibás alkatrészek cseréjére, a normál kopásnak kitett termékek javítására, illetve az ilyen termékek kicserélésére, hogy ügyfeleink

a lehető legkisebb kellemetlenséget okozza az alábbi feltételekkel:

- ◆ A terméket nem használták kereskedelmi, ipari alkalmazásokhoz, és nem adták bérbe;
- ◆ A terméket rendeltetésszerűen és körültekintően használták;
- ◆ A termék nem idegen tárgyaktól, szennyeződéstől vagy külső behatástól sérült meg;
- ◆ A termék javítására nem tett kísérletet olyan személy, aki nem tartozik a hivatalos szerviz vagy a Black & Decker szervizszemélyzet tagjai közé.

A garancia érvényesítéséhez az eladónak vagy a hivatalos szerviznek be kell nyújtani a vásárláskor kapott számlát. Az Önhöz legközelebbi márkaszerviz címét a helyi Black & Decker képviselőtől vagy ebből a kézikönyvből tudhatja meg. Emellett a hivatalos Black & Decker szervizek listája, illetve eladás utáni szolgáltatásaink és ezek elérhetőségének részletes ismertetése a következő honlapon érhető el: **www.2helpU.com**.

A következő meghibásodások esetén a garancia kizárt:

- ◆ Elhasználódott, illetve károsodott kések, és a hálózati kábel. Azok az alkatrészek, amelyek a normál használat során elkopnak.
- ◆ Azok a meghibásodások, amelyek a szakszerűtlen kezelésből eredtek.
- ◆ Azok a hibák, amelyek a kezelési útmutató be nem tartásából eredtek.

Kizárólag csak eredeti Black & Decker tartozékok és alkatrészek alkalmazhatók. Ellenkező esetben teljesítménycsökkenés léphet fel, és a gép elveszti a garanciát. Ha garanciális igénye van, feltétlen mellékelje a jótállási jegyet és a vásárlási okmányokat (számlát).

Kérjük látogasson el a **www.blackanddecker.co.uk** honlapunkra, és regisztrálja új Black & Decker termékét, hogy új termékeinkről és különleges ajánlatainkról naprakész információkkal láthassuk el. A Black & Decker márkával és a termékkínálatunkkal kapcsolatos információkat a következő honlapon tekintheti meg: **www.blackanddecker.co.uk**.

## BLACK & DECKER GARANCIÁLIS FELTÉTELEK

Gratulálunk Önnek ennek az értékes Black & Decker készülék megvásárlásához.

Azon termékeinkre, amelyet fogyasztói használat keretében háztartási, hobby célra vásárolnak **24 hónap jótállást biztosítunk.**

### A termék iparszerű használatra nem alkalmas!

A jótállás a fogyasztó törvényből eredő jogait nem érinti.

- 1) **Black & Decker** kötelezettséget vállal arra, hogy a garanciális javításokat a **49/2003. (VII. 30.) GKM** és a **151/2003 (IX.22.) sz. Korm.** rend. szerint végzi.
  - a) A fogyasztó jótállási igényét a jótállási jeggyel érvényesítheti, ezért azt őrizze meg.
  - b) Vásárláskor az eladónak a garanciaokmányt fel kell tüntetnie a vásárlás időpontját, a termék típusát vagy termékkódját, a kereskedés nevét, címét pedig a jótállási jegyre rá kell bélyegezni. Ennek alapján szerez jogosultságot a vevő a garancia időn belüli ingyenes garanciális javításra.
  - c) Jótállási javítást csak érvényes jótállási jegy alapján végezhetnek a kijelölt szervizek.
  - d) A jótállási jegyen történt bármilyen javítás, törlés vagy átírás, valótlan adatok bejegyzése, a jótállási jegy érvénytelenségét vonja maga után.
  - e) Elvesztett jótállási jegyet csak a vásárlási számla felmutatásával, térítés ellenében tudunk pótolni!
  - f) A jótállási jegy szabálytalan kiállítása vagy a fogyasztó részére történő átadásának elmaradása nem érinti a jótállási kötelezettségvállalás érvényességét.
- 2) **Nem terjed ki a garancia:**
  - a) Ha a hiba rendeltetésellenes használat, átalakítás, szakszerűtlen kezelés, helytelen tárolás, elemi kár vagy egyéb, vásárlás után keletkezett okból következett be. *(A rendeltetéssel ellentétes használat elkerülése céljából a termékhez magyar nyelvű vásárlói tájékoztatót mellékelünk és kérjük, hogy az abban foglaltakat saját érdekében tartsa be!)*
  - b) Az olyan károsodásokra, amelyek a szerszámok iparszerű (professzionális), közületi, valamint kölcsönzési felhasználása miatt keletkeztek.
  - c) Azon alkatrészekre, amelyeknél a meghibásodás garanciaidőn belül a helyes kezelés, karbantartás szerinti rendeltetészerű üzemeltetés mellett az alkatrészek természetes elhasználódása, kopása következtében állt elő. *(ezek a következők: megmunkáló szerszámok pl. vágószerszám, fűrészlanc, fűrészlap, gyalukés stb. továbbá: meghajtósíj, csapágó, szénkefe, csillagkerék kpl.)*
  - d) A készülék túlterhelése miatt jelentkező hibákra, amelyek a hajtómű meghibásodásához, vagy egyéb ebből adódó károkhoz vezetnek.
  - e) A termék nem hivatalos szervizben történt javításából eredő hibákra.
  - f) Az olyan károsodásokra, amelyek nem eredeti Black & Decker kiegészítő készülékek és tartozékok használatából adódnak.

- 3) **A fogyasztó** a kijavítás iránti igényét a forgalmazónál, illetve a jótállási jegyen feltüntetett javítószolgálatnál érvényesítheti.
  - Meghosszabbodik a jótállási idő a kijavítási idő azon részével, amely alatt a fogyasztó a terméket nem tudta rendeltetészerűen használni.
  - A jótállási és szavatossági jogok érvényesíthetőségének határidején belül a termékek vagy jelentősebb részének kicserélése (kijávítása) esetén a kicserélt (kijavított) termékre (termékrészre) 12 hónap jótállást biztosítunk. Ezek a következők: motor illetve állórész, forgórész, elektronika.
  - Ha a fogyasztási cikk a vásárlástól (üzembe helyezéstől) számított három munkanapon belül meghibásodik, a fogyasztó kérheti annak kicserélését feltéve, hogy a meghibásodás a rendeltetészerű használatot akadályozza. A Black & Decker Hungary Kft. a meghibásodás okának feltárása céljából fenntartja a jogot a hibás termék bevizsgálására. Amennyiben a reklamáció alkalmával a meghibásodás garanciális voltáról nem nyilatkozunk, úgy 72 órán belül kell értesítenünk a vásárlót a reklamáció intézésének módjáról.  
Ha a csere nem lenne lehetséges, műszakilag hasonló készülék kerül felajánlásra, vagy visszafizethető a vételár.

Amennyiben a hiba keletkezése, ténye, jellege, (pl. rendeltetésellenes használat, stb.) miatt vita merül fel, a Fogyasztó szakvéleményt kérhet a az arra illetékes szervtől / jogi személytől. A szakvélemény térítésköteles és nem kötelező érvényű a Forgalmazó számára.

- 4) **Garanciális javítás esetén** a szerviznek a garanciaokmányt az alábbi adatokat kell feltüntetnie:
  - a garanciális igény bejelentésének dátumát,
  - a hiba rövid leírását,
  - a javítás módját és időtartamát,
  - a készülék visszaadásának időpontját,
  - javítás időtartamával meghosszabbított új garanciaidőt.
- 5) **Arra törekszünk, hogy szervizhálózatunkon** keresztül kiváló javítószolgáltatást, zökkenőmentes alkatrészellátást, és széles tartozékpalettaát biztosítsunk.
- 6) **A fogyasztót a Polgári Törvénykönyvről szóló 1959. évi IV. törvény 306-310. §-ában, valamint a 49/2003. (VII. 30.) GKM** rendeletben meghatározott jogok illetik meg.

### Gyártó:

Black & Decker Europe,  
210 Bath Road, Slough,  
Berkshire, SL13YD,  
Egyesült Királyság

### Importőr:

Stanley Black & Decker  
Hungary Kft., 1016 Budapest  
Mészáros u. 58/b

## Przeznaczenie

Nożyce do żywopłotu Black & Decker zostały zaprojektowane do przycinania żywopłotów, krzewów i krzaków. Opisywane urządzenie przeznaczone jest wyłącznie do użytku amatorskiego.

## Zasady bezpiecznej pracy

### Ogólne wskazówki dotyczące bezpiecznej pracy elektronarzędziami



**Uwaga!** Zapoznaj się ze wszystkimi ostrzeżeniami dotyczącymi bezpiecznej pracy oraz z instrukcją obsługi. Nie stosowanie się do ostrzeżeń i zaleceń zawartych w tej instrukcji obsługi, może być przyczyną porażenia prądem elektrycznym, pożaru i/lub poważnego zranienia.

### Zachowaj wszystkie instrukcje i informacje dotyczące bezpiecznej pracy, aby móc korzystać z nich w przyszłości.

Pojęcie "elektronarzędzie" użyte w treści ostrzeżenia odnosi się do elektrycznego (zasilanego przewodem) elektronarzędzia lub elektronarzędzia zasilanego akumulatorem (bezwolnowodowego).

#### 1. Bezpieczeństwo w miejscu pracy

**a. Miejsce pracy musi być czyste i dobrze oświetlone.** Miejsca ciemne i takie, w których panuje nieporządek, stwarzają ryzyko wypadku.

**b. Nie wolno używać elektronarzędzi w strefach zagrożenia wybuchem, w pobliżu palnych cieczy gazów czy pyłów.** Elektronarzędzia mogą wytworzyć iskry powodujące zapłon pyłów lub oparów.

**c. W czasie pracy elektronarzędziami nie pozwalaj na przebywanie w pobliżu dzieci i innych osób postronnych.** Chwila nieuwagi może spowodować utratę kontroli nad narzędziem.

#### 2. Ochrona przed porażeniem prądem elektrycznym

**a. Gniazdo musi być dostosowane do wtyczki elektronarzędzia. Nie wolno przerabiać wtyczek. Nie używaj żadnych łączników lub rozdzielaczy elektrycznych z uziemionymi elektronarzędziami.** Nieprzerabiane wtyczki i odpowiednie gniazda zmniejszają ryzyko porażenia prądem elektrycznym.

- b. Należy unikać bezpośredniej styczności z uziemionymi lub zerowanymi powierzchniami, takimi jak rurociągi, grzejniki, kuchenki i lodówki.** Ryzyko porażenia prądem elektrycznym wzrasta, jeśli Twoje ciało jest uziemione.
- c. Nie narażaj elektronarzędzi na działanie deszczu lub zwiększonej wilgotności.** Woda, która dostanie się do wnętrza elektronarzędzia zwiększa ryzyko porażenia prądem elektrycznym.
- d. Nie wolno ciągnąć za przewód zasilający. Nie wolno ciągnąć, podnosić ani wyciągać wtyczki z gniazda, poprzez ciągnięcie za przewód zasilający narzędzia. Chronić przewód zasilający przed kontaktem z gorącymi elementami, olejami, ostrymi krawędziami i ruchomymi częściami.** Uszkodzenie lub zaplątanie przewodu zasilającego zwiększa ryzyko porażenia prądem elektrycznym.
- e. W czasie pracy elektronarzędziem poza pomieszczeniami zamkniętymi, należy używać przystosowanych do tego przedłużaczy.** Korzystanie z przedłużaczy przystosowanych do użycia na dworze, zmniejsza ryzyko porażenia prądem.
- f. Jeśli zachodzi konieczność używania narzędzia w wilgotnym otoczeniu, należy używać źródła zasilania zabezpieczonego wyłącznikiem różnicowoprądowym.** Stosowanie wyłączników różnicowoprądowych zmniejsza ryzyko porażenia prądem elektrycznym.
- #### 3. Środki ochrony osobistej
- a. W czasie pracy elektronarzędziem zachowaj czujność, patrz uważnie i kieruj się zdrowym rozsądkiem. Nie używaj elektronarzędzia w stanie zmęczenia, pod wpływem narkotyków, alkoholu lub leków.** Nawet chwila nieuwagi, w czasie pracy elektronarzędziem, może doprowadzić do poważnego uszkodzenia ciała.
- b. Używaj środków ochrony osobistej. Zawsze zakładaj okulary ochronne.** Używanie, w miarę potrzeb, środków ochrony osobistej, takich jak maska przeciwpyłowa, buty ochronne z antypoślizgową podeszwą, kask czy ochronniki słuchu, zmniejsza ryzyko odniesienia uszczerbku na zdrowiu.
- c. Unikaj przypadkowego włączenia. Przed przyłączeniem do zasilania i/lub włożeniem akumulatorów oraz przed podniesieniem i przenoszeniem narzędzia,**



**należy upewnić się, że wyłącznik znajduje się w pozycji "wyłączone"**. Trzymanie palca na wyłączniku podczas przenoszenia lub włączania narzędzia łatwo staje się przyczyną wypadków.

- d. **Przed włączeniem elektronarzędzia usuń wszelkie klucze lub narzędzia do regulacji.** Klucz pozostawiony zamocowany do obrotowej części elektronarzędzia może spowodować obrażenia.
  - e. **Nie wychylaj się nadmiernie. Przez cały czas zachowuj solidne oparcie nóg i równowagę.** Dzięki temu masz lepszą kontrolę nad elektronarzędziem w nieoczekiwanych sytuacjach.
  - f. **Zakładaj odpowiednią odzież. Nie noś luźnych ubrań ani biżuterii. Trzymaj włosy, ubranie i rękawice z dala od ruchomych elementów.** Luźne ubranie, biżuteria lub długie włosy mogą zostać pochwycone przez ruchome części.
  - g. **Jeśli sprzęt jest przystosowany do przyłączenia urządzeń odprowadzających i zbierających pył, upewnij się, czy są one przyłączone i właściwie użytkowane.** Używanie takich urządzeń zmniejsza zagrożenia związane z obecnością pyłów.
- 4. Obsługa i konserwacja elektronarzędzi**
- a. **Nie przeciążaj elektronarzędzia. Używaj elektronarzędzi odpowiednich do rodzaju wykonywanej pracy.** Dzięki odpowiednim elektronarzędziom wykonasz pracę lepiej i w sposób bezpieczny, w tempie, do jakiego narzędzie zostało zaprojektowane.
  - b. **Nie wolno używać elektronarzędzia z zepsutym wyłącznikiem, który nie pozwala na sprawne włączanie i wyłączenie.** Narzędzie, którego nie można kontrolować za pomocą wyłącznika nie może być używane i musi zostać naprawione.
  - c. **Przed przystąpieniem do regulacji, wymiany akcesoriów oraz przed schowaniem elektronarzędzia, należy odłączyć wtyczkę od źródła zasilania i/ lub odłączyć akumulator od urządzenia.** Takie środki zapobiegawcze zmniejszają ryzyko przypadkowego uruchomienia elektronarzędzia.
  - d. **Nie używane elektronarzędzie przechowuj poza zasięgiem dzieci i nie dopuszczaj osób nie znających elektronarzędzia lub tej instrukcji do posługiwania się elektronarzędziem.** Elektronarzędzia są

niebezpieczne w rękach niewprawnego użytkownika.

- e. **Regularnie przeprowadzaj konserwację elektronarzędzia. Sprawdź, czy ruchome części są właściwie połączone i zamocowane, czy części nie są uszkodzone oraz skontroluj wszelkie inne elementy mogące mieć wpływ na pracę elektronarzędzia. Wszystkie uszkodzenia należy naprawić przed rozpoczęciem użytkowania.** Wiele wypadków jest spowodowanych źle utrzymanymi elektronarzędziami.
  - f. **Dbaj o czystość narzędzi i ostrość elementów tnących.** Prawidłowo utrzymane narzędzia do cięcia o ostrych krawędziach tnących rzadziej się zakleszczają i są łatwiejsze do kontrolowania.
  - g. **Elektronarzędzi, akcesoriów i końcówek itp., należy używać zgodnie z instrukcją obsługi, uwzględniając warunki i rodzaj wykonywanej pracy.** Użycie elektronarzędzi niezgodnie z przeznaczeniem może być bardzo niebezpieczne.
- 5. Naprawy**
- a. **Powierzaj naprawy elektronarzędzi wyłącznie osobom wykwalifikowanym, używającym identycznych części zamiennych.** Zagwarantuje to bezpieczeństwo elektronarzędzia.

## Bezpieczne użytkowanie elektronarzędzi - wskazówki dodatkowe



**Uwaga!** Dodatkowe wskazówki dotyczące bezpiecznej pracy przycinarkami do żywoptotów.

- ♦ **Wszystkie części ciała utrzymuj z dala od ostrza przycinarki. Nie usuwaj ścinek i nie przytrzymuj materiału przeznaczanego do przycięcia w trakcie ruchu ostrza. Upewnij się, że przełącznik jest wyłączony podczas usuwania zaciętego materiału.** Nawet chwila nieuwagi w czasie pracy narzędzia może doprowadzić do poważnego uszkodzenia ciała.
- ♦ **Noś przycinarkę do żywoptotu za uchwyt wyłącznikowy po zatrzymaniu ostrza tnącego. Podczas transportu lub przechowywania nożyce do żywoptotu muszą być zawsze chronione przez pokrywę.** Prawidłowa eksploatacja przycinarki do żywoptotu zmniejsza ryzyko obrażeń ciała w wyniku kontaktu z ostrzem.

- ◆ **W przypadku prac, w czasie których może dojść do przecięcia własnego lub ukrytych przewodów, należy trzymać urządzenie wyłącznie za izolowane uchwyty.** Kontakt ostrza z przewodami pod napięciem może spowodować pojawienie się napięcia na metalowych częściach obudowy i porażenie prądem operatora.
- ◆ **Utrzymuj przewody z daleka od obszaru cięcia.** W trakcie pracy przewód może znaleźć się w obrębie gałęzi i może zostać przecięty przez ostrze.
- ◆ Przeznaczenie urządzenia opisane jest w niniejszej instrukcji obsługi. Używanie jakichkolwiek akcesoriów lub wykonywanie prac sprzecznych z przeznaczeniem opisywanym w instrukcji obsługi, może powodować niebezpieczeństwo uszkodzenia ciała i/lub uszkodzenia mienia.
- ◆ W przypadku braku doświadczenia z obsługą i wykorzystaniem przycinarki, oprócz uważnej lektury tej instrukcji, zaleca się także kontakt i zasięgnięcie porady od osoby zaznajomionej z tego rodzaju urządzeniami.
- ◆ Nigdy nie dotykaj ostrza w czasie, gdy urządzenie jest włączone.
- ◆ Nigdy próbuj zatrzymać ostrza.
- ◆ Urządzenie można odłożyć dopiero wtedy, gdy ostrze całkowicie się zatrzyma.
- ◆ Regularnie kontroluj zużycie i ew. uszkodzenia ostrza. Nie eksploatuj urządzenia w przypadku stwierdzenia uszkodzenia ostrza.
- ◆ Nie przycinaj twardych obiektów (druz, poręcze). W przypadku niezamierzanego kontaktu z takimi przedmiotami natychmiast wyłącz urządzenie i sprawdź ew. uszkodzenia.
- ◆ W przypadku stwierdzenia nietypowych wibracji natychmiast wyłącz urządzenie, odłącz zasilanie i sprawdź wystąpienie ew. uszkodzeń.
- ◆ W przypadku zablokowania urządzenia, należy go natychmiast wyłączyć. Przed usunięciem przyczyny zablokowania odłącz urządzenie od zasilania.
- ◆ Po zakończeniu pracy nałóż na ostrze osłonę dołączoną do zestawu. W trakcie przechowywania urządzenia zakryj jego ostrze.
- ◆ Eksploatuj urządzenie wyłącznie z zamontowanymi osłonami. Nigdy nie wykorzystuj niekompletnego urządzenia lub urządzenia zmodyfikowanego bez autoryzacji.

- ◆ Nie dopuszczaj do eksploatacji urządzenia przez dzieci.
- ◆ W przypadku przycinania wysoko położonych gałęzi, zwróć uwagę na spadające odpadki.
- ◆ Zawsze trzymaj urządzenie oburącz, wykorzystując standardowe uchwyty.

### Bezpieczeństwo osób postronnych

- ◆ Opisywane urządzenie nie jest przeznaczone do użycia przez osoby o obniżonych możliwościach fizycznych, ruchowych lub umysłowych (także dzieci) lub o zbyt małej wiedzy i doświadczeniu, jeśli nie zostały one przeszkolone lub nie pozostają pod opieką osoby odpowiedzialnej za ich bezpieczeństwo.
- ◆ Należy pilnować dzieci, aby nie bawiły się urządzeniem.

### Pozostałe zagrożenia

W czasie pracy elektronarzędziem mogą powstać zagrożenia, które nie zostały uwzględnione w załączonej instrukcji dotyczącej bezpiecznego użytkowania. Zagrożenia te mogą wynikać z niewłaściwego użytkowania, zbyt intensywnej eksploatacji lub innych przyczyn.

Nawet w przypadku przestrzegania zasad bezpiecznej pracy i stosowania środków ochronnych, nie jest możliwe uniknięcie pewnych zagrożeń. Należą do nich:

- ◆ Zranienia wynikające z dotknięcia wirujących / ruchomych elementów.
- ◆ Zranienia w czasie wymiany części, ostrzy lub akcesoriów.
- ◆ Zranienia związane ze zbyt długotrwałym użytkowaniem narzędzia. Pracując przez dłuższy czas, należy robić regularne przerwy.
- ◆ Ryzyko uszkodzenia słuchu.
- ◆ Uszczerbek na zdrowiu związany z wdychaniem pyłów powstających w czasie pracy narzędziem (np. w czasie obróbki drewna, szczególnie dębu, buku i MDF).

### Drgania

Podawana w tabeli danych technicznych oraz w deklaracji zgodności z normami wartość drgań (wibracji), została zmierzona zgodnie ze standardową procedurą zawartą w normie EN 60745. Informacja ta może służyć do porównywania tego narzędzia z innymi. Deklarowana wartość emitowanych drgań może również służyć do przewidywania stopnia narażenia użytkownika na wibracje.

**Uwaga!** Chwilowa siła drgań, występująca w czasie pracy elektronarzędziem, może odbiegać od podawanych wartości, w zależności od sposobu użytkowania urządzenia. Poziom wibracji może przekroczyć podawaną wartość.

Przy określaniu ekspozycji na wibrację, w celu podjęcia środków ochrony osób zawodowo użytkujących elektronarzędzia zgodnie, z normą 2002/44/EC, należy uwzględnić rzeczywiste warunki i rodzaj wykonywanej pracy. Także okresy przestoju i pracy bez obciążenia.

## Symbole na urządzeniu

Na obudowie narzędzia umieszczono następujące piktogramy:



**Uwaga!** Aby zminimalizować ryzyko zranienia, użytkownik musi zapoznać się z instrukcją obsługi.



W czasie pracy opisywanym narzędziem noś okulary ochronne albo gogle.



Stosuj ochronę słuchu w czasie pracy.



W przypadku uszkodzenia przewodu zasilającego należy go natychmiast odłączyć od zasilania.



Nie wolno wystawiać urządzenia na działanie deszczu lub dużej wilgotności.



Natężenie mocy akustycznej zgodne z dyrektywą 2000/14/EC.

## Ochrona przed porażeniem prądem elektrycznym



To narzędzie ma podwójną izolację, dlatego też przewód uziemiający nie jest potrzebny. Zawsze sprawdzaj, czy napięcie zasilania jest zgodne z wartością podaną na tabliczce znamionowej.

- ◆ Ze względów bezpieczeństwa wymianę uszkodzonego przewodu zasilającego należy powierzyć producentowi lub autoryzowanemu centrum serwisowemu Black & Decker.
- ◆ Używając wolnym powietrzu, należy używać tylko przedłużaczy przeznaczonych do użytku na zewnątrz. Odpowiedni przedłużacz firmy Black & Decker o długości do 30 m zapewnia eksploatację bez strat mocy.
- ◆ Bezpieczeństwo elektryczne może zostać dodatkowo zwiększone przez zastosowanie wysokoczułego wyłącznika różnicowoprądowego (RCD) o prądzie 30 mA.

## Wyposażenie

Opisywane narzędzie wyposażone jest w kilka lub wszystkie z poniższych elementów.

1. Włęcznik spustowy
2. Przedni uchwyt z przełącznikiem
3. Przedni uchwyt
4. Ostona
5. Ostrze
6. Zaczep podtrzymujący przewód

## Montaż

**Uwaga!** Przed złożeniem upewnij się, że urządzenie jest wyłączone i odłączone od zasilania oraz, że ostrze jest zabezpieczone osłoną.

### Montaż osłony (rys. A oraz B)

- ◆ Wykręć dwie częściowo wkręcone śruby z korpusu urządzenia.
- ◆ Wprowadź osłonę (4) w rowki.
- ◆ Zabezpiecz osłonę za pomocą dwóch, dołączonych do urządzenia śrub (7).

**Uwaga!** Nie wolno używać narzędzia bez osłony.

### Podłączanie narzędzia do zasilania (rys. C)

Jeżeli urządzenie nie jest wyposażone w przewód zasilający, konieczne będzie wykorzystanie przedłużacza.

- ◆ Przyłączyć wtyczkę żeńską odpowiedniego przedłużacza do gniazda zasilania urządzenia.
- ◆ Przeprowadzić przewód przez prowadnicę (6) zgodnie z ilustracją w celu uniknięcia odłączenia się przewodu w trakcie eksploatacji.
- ◆ Włożyć wtyczkę przewodu zasilającego do kontaktu.

**Uwaga!** Przedłużacz musi być dopuszczony do użycia na dworze. Przedłużacz nawinięty na bęben należy całkowicie rozwinąć.

## Eksploatacja

**Uwaga!** Uwzględnij tempo pracy urządzenia. Nie przeciążaj narzędzia.

### Obracanie przedniego uchwytu (rys. D) (tylko GT4550)

W celu podwyższenia komfortu obsługi, przedni uchwyt może zostać ustawiony w jednej z pięciu różnych pozycji.

- ◆ Naciśnij przycisk obrotu uchwytu (8).
- ◆ Obróć przedni uchwyt (3) dożądanego położenia.

- ◆ Zwolnij przycisk obrotu uchwyty (8).
- Uwaga:** Obrót przedniego uchwyty nie jest możliwy w trakcie pracy przycinarki.

### Włączanie i wyłączenie

**Uwaga:** W celu podniesienia bezpieczeństwa eksploatacji urządzenie zostało wyposażone w system podwójnego włącznika. System ten zapobiega przypadkowemu włączeniu urządzenia i umożliwia pracę tylko z wykorzystaniem obu rąk.

#### Włączanie (ilustracja E).

- ◆ Przytrzymaj przedni uchwyt (3) jedną ręką tak, aby przesunąć przełącznik (2) w kierunku korpusu przedniego uchwyty.
- ◆ Drugą ręką naciśnij przycisk (1) w celu uruchomienia urządzenia.

#### Wyłączenie

Zwolnij przełącznik uchwyty (2) lub przycisk (1).

**Uwaga!** Nie wolno blokować wyłącznika w pozycji włączonej.

### Wskazówki praktyczne

- ◆ Rozpocznij przycinanie od szczytu żywopłotu. Lekko pochyl narzędzie (do 15° w stosunku do linii cięcia) tak, aby końcówki ostrza wskazywały lekko w stronę żywopłotu (ilustracja F). Pozwoli to na zwiększenie wydajności cięcia. Przytrzymaj narzędzie pod wybranym kątem i przesuwaj je wzdłuż linii cięcia. Dwustronne ostrze umożliwia cięcie w dwóch kierunkach.
- ◆ W celu uzyskania prostej linii cięcia, rozciągnij sznurek wzdłuż żywopłotu na wybranej wysokości. Wykorzystaj rozciągnięty sznurek jako prowadnicę, prowadząc cięcie powyżej sznurka (ilustracja G).
- ◆ W celu uzyskania równomiernego, płaskiego przycięcia, prowadź ostrze w kierunku wzrostu gałęzi. Młodsze gałęzie odchylają się na zewnątrz, gdy ostrze porusza się w dół, co powoduje powstawanie dziur w przyciętym żywopłocie (ilustracja H).
- ◆ Zachowaj ostrożność aby nie uszkodzić innych przedmiotów. Szczególnie unikaj twardych obiektów takich jak drut metalowy oraz poręcze, ponieważ mogą one uszkodzić ostrze (ilustracja I).
- ◆ Regularnie pokrywaj ostrza olejem.

### Wskazówki dotyczące przycinania

- ◆ Przycinaj sezonowe liście żywopłotów i krzewów (nowe liście odrastające co roku) w czerwcu i w październiku.

- ◆ Rośliny wiecznie zielone przycinaj w kwietniu i sierpniu.
- ◆ Rośliny iglaste i inne krzewy szybko rosnące przycinaj co sześć tygodni od maja do października.

### Wskazówki dotyczące przycinania (Australia i Nowa Zelandia)

- ◆ Przycinaj sezonowe liście żywopłotów i krzewów (nowe liście odrastające co roku) w grudniu i marcu.
- ◆ Rośliny wiecznie zielone przycinaj we wrześniu i lutym.
- ◆ Rośliny iglaste i inne krzewy szybko rosnące przycinaj co sześć tygodni od października do marca.

### Aksesoria

Wydajność narzędzia zależy od użytego osprzętu. Osprzęt Black & Decker i Piranha został wykonany z zachowaniem wysokich standardów jakości i zaprojektowany tak, aby podnieść wydajność narzędzia. Używając tych akcesoriów maksymalnie wykorzystasz możliwości swojego narzędzia.

Olej smarujący jest dostępny u dealera firmy Black & Decker (numer części A6102-XJ).

### Konserwacja

Opisywane sieciowe/bezprzewodowe urządzenie/narzędzie Black & Decker zostało zaprojektowane tak, aby zapewnić długoletnią pracę przy minimalnej konieczności konserwacji. Aby długo cieszyć się właściwą pracą urządzenia, należy odpowiednio o nie dbać i regularnie je czyścić.

**Uwaga!** Przed przystąpieniem do konserwacji elektronarzędzi zasilanych przewodem zasilającym / akumulatorami należy:

- ◆ Wyłączyć urządzenie i wyjąć wtyczkę z kontaktu.
- ◆ Lub wyłączyć i odłączyć akumulator od urządzenia, jeśli urządzenie jest wyposażone w oddzielny akumulator.
- ◆ Jeśli akumulator jest zintegrowany, należy go całkowicie rozładować a następnie wyłączyć urządzenie.
- ◆ Przed czyszczeniem wyjąć wtyczkę ładowarki z gniazda zasilającego. Ładowarka nie wymaga, oprócz okresowego czyszczenia, żadnej dodatkowej konserwacji.
- ◆ Regularnie czyścić otwory wentylacyjne przy użyciu miękkiej szczotki albo suchej ściereczki.

- ◆ Regularnie czyść obudowę silnika wilgotną ściereczką. Nie używać ściernych lub rozpuszczających środków czyszczących.
- ◆ Po zakończeniu pracy dokładnie oczyść ostrza. Po przeprowadzeniu czyszczenia pokryj ostrze cienką warstwą oleju w celu uniknięcia korozji.

### Wymiana wtyczki sieciowej (dotyczy tylko Wielkiej Brytanii i Irlandii)

Jeśli występuje konieczność montażu nowej wtyczki:

- ◆ Poddać starą wtyczkę odpowiedniej utylizacji.
- ◆ Przyłączyć brązowy przewód do zacisku fazy w nowej wtyczce.
- ◆ Przyłączyć niebieski przewód do zacisku zerowego.

**Uwaga!** Nie wykonuj przyłączenia do końcówki uziemienia. Postępuj zgodnie z instrukcją instalacji dołączoną do wtyczek wysokiej jakości. Zalecany bezpiecznik: 5 A.

### Ochrona środowiska



Selektywna zbiórka odpadów. Opisywanego produktu nie wolno utylizować razem ze zwykłymi odpadami z gospodarstw domowych.

Gdy okaże się, że konieczna jest wymiana posiadanego narzędzia Black & Decker lub nie będzie się go więcej używać, nie należy wyrzucać go razem ze śmieciami z gospodarstwa domowego. Przekaż produkt do punktu selektywnej zbiórki odpadów.



Selektywna zbiórka zużytych produktów i opakowań pozwala na powtórne wykorzystanie użytych materiałów. Powtórne użycie materiałów pomaga chronić środowisko naturalne przed zanieczyszczeniem i zmniejsza zapotrzebowanie na surowce.

Lokalne prawodawstwo może zapewniać możliwość selektywnej zbiórki zużytych sprzętów elektrycznych, poprzez pozostawienie ich w punktach na miejskich wysypiskach śmieci lub u sprzedawcy, przy zakupie nowego sprzętu.

Black & Decker zapewnia możliwość zbiórki i recyklingu swoich produktów po zakończeniu okresu eksploatacji. Aby skorzystać z tej możliwości, prosimy zwrócić się do jednego z autoryzowanych przedstawicieli serwisowych, który odbierze je od Państwa w naszym imieniu.

Adres najbliższego autoryzowanego przedstawiciela serwisowego otrzymają Państwo kontaktując się z miejscowym biurem Black & Decker, którego adres podany jest w niniejszej instrukcji obsługi. Lista autoryzowanych przedstawicieli serwisowych oraz informacje na temat naszego serwisu posprzedażnego dostępne są również na stronie internetowej: [www.2helpU.com](http://www.2helpU.com).

### Dane techniczne

	GT4245 (Typ 1)	GT4550 (Typ 1)
Napięcie	V <sub>AC</sub> 230	230
Moc	W 420	450
Częstotliwość skoku ostrza (bez obciążenia)		
	min <sup>-1</sup> 1960	1815
Długość ostrza	cm 45	50
Szczelina ostrza	mm 16	18
Czas zatrzymania nożyc	s <1	<1
Masa	kg 2,1	2,4

### Poziom ciśnienia akustycznego zgodnie z EN 60745:

Ciśnienie akustyczne (L<sub>pa</sub>) 73 dB(A), niepewność pomiarowa (K) 3 dB(A), moc akustyczna (L<sub>WA</sub>) 93 dB(A), niepewność pomiarowa (K) 3 dB(A)

### Sumaryczna wielkość drgań (suma wektorów trzech osi) zgodnie z normą EN 60745:

Wartość emisji (a<sub>h,D</sub>) 2,3 m/s<sup>2</sup>, niepewność pomiarowa (K) 1,5 m/s<sup>2</sup>

**Deklaracja zgodności UE**

DYREKTYWA MASZYNOWA  
DYREKTYWA DOTYCZĄCA HAŁASU NA  
ZEWNĄTRZ

**GT4245 / GT4550**

Black & Decker oświadcza, że nożyce do żywopłotu nr kat. GT4245 / GT4550, spełniają wymagania norm: 2006/42/EC, EN 60745-1, EN 60745-2-15.

2000/14/EC, nożyce do żywopłotu 1960 min<sup>-1</sup>, Aneks V

Zmierzona moc akustyczna (L <sub>pA</sub> )	93 dB(A)
Niepewność pomiarowa (K)	3 dB(A)
Nominalna moc akustyczna (L <sub>pA</sub> )	96 dB(A)
Niepewność pomiarowa (K)	3 dB(A)

Produkty te są również zgodne z zapisami Dyrektywy 2004/108/EC. Aby otrzymać więcej informacji, należy skontaktować się z Black & Decker pod adresem podanym poniżej lub na końcu instrukcji.

Osoba niżej podpisana odpowiedzialna jest za przygotowanie dokumentacji technicznej i złożenie deklaracji zgodności w imieniu Black & Decker.

Kevin Hewitt  
Vice-President Global Engineering  
Black & Decker Europe, 210 Bath Road, Slough,  
Berkshire, SL1 3YD  
Wielka Brytania  
2011-08-22

## Black & Decker

### WARUNKI GWARANCJI:

Produkty marki Black & Decker reprezentują bardzo wysoką jakość, dlatego oferujemy dla nich korzystne warunki gwarancyjne. Niniejsze warunki gwarancji nie pomniejszają praw klienta wynikających z polskich regulacji ustawowych lecz są ich uzupełnieniem. Gwarancja jest ważna na terenie Rzeczypospolitej Polskiej. Black & Decker gwarantuje sprawne działanie produktu w przypadku postępowania zgodnego z warunkami techniczno-eksploatacyjnymi opisanymi w instrukcji obsługi.

Niniejszą gwarancją nie jest objęte dodatkowe wyposażenie, jeżeli nie została do niego dołączona oddzielna karta gwarancyjna oraz elementy wyrobu podlegające naturalnemu zużyciu.

1. Niniejszą gwarancją objęte są usterki produktu spowodowane wadami produkcyjnymi i wadami materiałowymi.
2. Niniejsza gwarancja jest ważna po przedstawieniu przez Klienta w Centralnym Serwisie Gwarancyjnym reklamowanego produktu oraz łącznie:
  - a) poprawnie wypełnionej karty gwarancyjnej;
  - b) ważnego paragonu zakupu z datą sprzedaży taką, jak w karcie gwarancyjnej lub kopii faktury.
3. Gwarancja obejmuje bezpłatną naprawę urządzenia (wraz z bezpłatną wymianą uszkodzonych części) w okresie 24 miesięcy od daty zakupu.
4. Produkt reklamowany musi być:
  - a) dostarczony bezpośrednio do Centralnego Serwisu Gwarancyjnego wraz z poprawnie wypełnioną Kartą Gwarancyjną i ważnym paragonem zakupu (lub kopią faktury) oraz szczegółowym opisem uszkodzenia, lub
  - b) przesłany do Centralnego Serwisu Gwarancyjnego za pośrednictwem punktu sprzedaży wraz z dokumentami wymienionymi powyżej.
5. Koszty wysyłki do Centralnego Serwisu Gwarancyjnego ponosi Serwis. Wszelkie koszty związane z zapewnieniem bezpiecznego opakowania, ubezpieczeniem i innym ryzykiem ponosi Klient. W przypadku odrzucenia roszczenia gwarancyjnego, produkt jest odsyłany do miejsca nadania na koszt adresata.
6. Usterki ujawnione w okresie gwarancji będą usunięte przez Centralny Serwis Gwarancyjny w terminie:
  - a) 14 dni roboczych od daty przyjęcia produktu przez Centralny Serwis Gwarancyjny;
  - b) termin usunięcia wady (punkt 6a) może być wydłużony o czas niezbędny do importu niezbędnych części zamiennych.
7. Klient otrzyma nowy sprzęt, jeżeli:
  - a) Centralny Serwis Gwarancyjny stwierdzi na piśmie, że usunięcie wady jest niemożliwe;
  - b) produkt nie podlega naprawie, tylko wymianie bez dokonywania naprawy.
8. O ile taki sam produkt jest nieosiągalny, może być wydany nowy produkt o nie gorszych parametrach.
9. Decyzja Centralnego Serwisu Gwarancyjnego odnośnie zasadności zgłaszanych usterek jest decyzją ostateczną.
10. Gwarancją nie są objęte:
  - a) wadliwe działanie lub uszkodzenia spowodowane niewłaściwym użytkowaniem lub użytkowaniem produktu niezgodnie z przeznaczeniem, instrukcją obsługi lub przepisami bezpieczeństwa. W szczególności profesjonalne użytkowanie amatorskich narzędzi Black & Decker powoduje utratę gwarancji;
  - b) wadliwe działanie lub uszkodzenia spowodowane przeciążaniem narzędzia, które prowadzi do uszkodzeń silnika, przekładni lub innych elementów a także stosowaniem osprzętu innego niż zalecany przez Black & Decker;
  - c) mechaniczne uszkodzenia produktu i wywołane nimi wady;
  - d) wadliwe działanie lub uszkodzenia na skutek działania pożaru, powodzi, czy też innych klęsk żywiołowych, nieprzewidzianych wypadków, korozji, normalnego zużycia w eksploatacji czy też innych czynników zewnętrznych;
  - e) produkty, w których naruszone zostały plomby gwarancyjne lub, które były naprawiane poza Centralnym Serwisem Gwarancyjnym lub były przerabiane w jakikolwiek sposób;
  - f) osprzęt eksploatacyjny dołączony do urządzenia oraz elementy ulegające naturalnemu zużyciu.
11. Centralny Serwis Gwarancyjny, firmy handlowe, które sprzedały produkt, nie udzielają upoważnień ani gwarancji innych niż określone w karcie gwarancyjnej. W szczególności nie obejmują prawa klienta do domagania się zwrotu utraconych zysków w związku z uszkodzeniem produktu.
12. Gwarancja nie wyłącza, nie ogranicza ani nie zawiesza uprawnień kupującego wynikających z niezgodności towaru z umową.

**Centralny Serwis Gwarancyjny ERPATECH**  
 ul. Bakaliowa 26, 05-080 Mościska  
 tel.: (22) 862-08-08, (22) 431-05-05  
 faks: (22) 862-08-09

## Použitie výrobku

Vaše záhradné nožnice na živý plot Black & Decker sú určené na zrezávanie živého plota, krikov a hustého porastu. Toto náradie je určené iba na spotrebiteľské použitie.

## Bezpečnostné pokyny

### Všeobecné bezpečnostné pokyny na prácu s elektrickým náradím



**Varovanie!** Prečítajte si všetky bezpečnostné výstrahy a všetky pokyny. Nedodržanie nižšie uvedených pokynov môže mať za následok úraz elektrickým prúdom, vznik požiaru alebo vážne poranenie.

### Všetky bezpečnostné varovania a pokyny uschovajte na prípadné ďalšie použitie.

Označenie „elektrické náradie“ vo všetkých upozorneniach odkazuje na Vaše náradie napájané zo siete (je opatrené prívodným káblom) alebo náradie napájané z akumulátora (bez prívodného kábla).

#### 1. Bezpečnosť v pracovnom priestore

- Pracovný priestor udržiavajte čistý a dobre osvetlený.** Preplnený a neosvetlený pracovný priestor môže viesť k spôsobeniu úrazov.
- Nepracujte s elektrickým náradím vo výbušnom prostredí, ako sú napríklad priestory s výskytom horľavých kvapalín, plynov alebo prašných látok.** V elektrickom náradí dochádza k iskreniu, ktoré môže spôsobiť vznietenie horľavého prachu alebo výparov.
- Pri práci s elektrickým náradím zaistite bezpečnú vzdialenosť detí a ostatných osôb.** Rozptyľovanie môže spôsobiť stratu kontroly nad náradím.

#### 2. Elektrická bezpečnosť

- Zástrčka prívodného kábla náradia musí zodpovedať zásuvke. Zástrčku nikdy žiadnym spôsobom neupravujte. Nepoužívajte pri uzemnenom elektrickom náradí žiadne upravené zástrčky.** Neupravené zástrčky a zodpovedajúce zásuvky znižujú riziko vzniku úrazu elektrickým prúdom.
- Nedotýkajte sa uzemnených povrchov, ako sú napríklad potrubia, radiátory, elektrické sporáky a chladničky.** Pri uzemnení Vášho tela vzrastá riziko úrazu elektrickým prúdom.
- Nevystavujte elektrické náradie dažďu alebo vlhkému prostrediu.** Ak vnikne do

elektrického náradia voda, zvýši sa riziko úrazu elektrickým prúdom.

- S prívodným káblom zaobchádzajte opatrne. Nikdy nepoužívajte prívodný kábel na prenášanie alebo posúvanie náradia a neťahajte zaň, ak chcete náradie odpojiť od elektrickej siete. Zabráňte kontaktu kábla s masťami, horúcimi a ostrými predmetmi alebo pohyblivými časťami.** Poškodený alebo zapletený prívodný kábel zvyšuje riziko vzniku úrazu elektrickým prúdom.
  - Pri práci s náradím vonku používajte predĺžovacie káble určené na vonkajšie použitie.** Použitie kábla na vonkajšie použitie znižuje riziko úrazu elektrickým prúdom.
  - Pri práci s elektrickým náradím vo vlhkom prostredí musí byť v napájacom okruhu použitý prúdový chránič (RCD).** Použitie prúdového chrániča (RCD) znižuje riziko úrazu elektrickým prúdom.
- #### 3. Bezpečnosť obsluhy
- Pri použití elektrického náradia zostaňte stále pozorní, sledujte, čo robíte a pracujte s rozvahou. Nepoužívajte elektrické náradie, ak ste unavení alebo ak ste pod vplyvom drog, alkoholu alebo liekov.** Chvilka nepozornosti pri práci s elektrickým náradím môže viesť k vážnemu úrazu.
  - Používajte prvky osobnej ochrany. Vždy používajte ochranu zraku.** Ochranné prostriedky ako respirátor, protišmyková pracovná obuv, prilba a chrániče sluchu, používané v príslušných podmienkach, znižujú riziko poranenia osôb.
  - Zabráňte náhodnému zapnutiu náradia. Pred pripojením zdroja napätia alebo pred vložením akumulátora a pred zdvihnutím alebo prenášaním náradia skontrolujte, či je vypnutý hlavný vypínač.** Prenášanie elektrického náradia s prstom na hlavnom vypínači alebo pripojenie prívodného kábla k elektrickej sieti, ak je hlavný vypínač náradia v polohe zapnuté, môže spôsobiť úraz.
  - Pred zapnutím náradia sa vždy uistite, či nie sú v jeho blízkosti kľúče alebo nastavovacie prípravky.** Nastavovacie kľúče ponechané na náradí môžu byť zachytené rotujúcimi časťami náradia a môžu spôsobiť úraz.
  - Neprekážajte sami sebe. Pri práci vždy udržujte vhodný a pevný postoj.** Tak je umožnená lepšia kontrola nad náradím v neočakávaných situáciách.



- f. **Vhodne sa obliekajte. Nenoste voľný odev alebo šperky. Dbajte na to, aby sa Vaše vlasy, odev a rukavice nedostali do kontaktu s pohyblivými časťami.** Voľné šaty, šperky alebo dlhé vlasy môžu byť zachytené pohyblivými dielcami.
- g. **Ak sú zariadenia vybavené adaptérom na pripojenie zariadenia na zachytávanie prachu, zaistíte jeho správne pripojenie a riadnu funkciu.** Použitie týchto zariadení môže znížiť nebezpečenstvo týkajúce sa prachu.
4. **Použitie elektrického náradia a jeho údržba**
- a. **Elektrické náradie nepreťažujte. Používajte na vykonávanú prácu správny typ elektrického náradia.** Pri použití správneho typu náradia bude práca vykonávaná lepšie a bezpečnejšie.
- b. **Ak nie je možné hlavný vypínač náradia zapnúť a vypnúť, s náradím nepracujte.** Každé elektrické náradie s nefunkčným hlavným vypínačom je nebezpečné a musí sa opraviť.
- c. **Pred nastavením náradia, pred výmenou príslušenstva alebo ak náradie nepoužívate, odpojte zástrčku prívodného kábla od zásuvky alebo z náradia vyberte akumulátor.** Tieto preventívne bezpečnostné opatrenia znižujú riziko náhodného zapnutia náradia.
- d. **Uložte elektrické náradie mimo dosahu detí a nedovoľte ostatným osobám, ktoré toto náradie nevedia ovládať, alebo ktoré nepoznajú tieto bezpečnostné pokyny, aby s týmto elektrickým náradím pracovali.** Elektrické náradie je v rukách nekvalifikovanej obsluhy nebezpečné.
- e. **Vykonávajte údržbu elektrického náradia. Skontrolujte vychýlenie alebo zablokovanie pohyblivých častí, poškodenie jednotlivých dielcov a iné okolnosti, ktoré môžu ovplyvniť chod náradia. Ak je náradie poškodené, nechajte ho pred použitím opraviť.** Veľa nehôd býva spôsobených nedostatočnou údržbou náradia.
- f. **Rezné nástroje udržiavajte ostré a čisté.** Riadne udržiavané rezné nástroje s ostrými reznými čepeľami sú menej náchylné na zanášanie nečistotami a lepšie sa s nimi manipuluje.
- g. **Používajte elektrické náradie, príslušenstvo a držiaky nástrojov**

podľa týchto pokynov a berte do úvahy prevádzkové podmienky a prácu, ktorá bude vykonávaná. Použitie elektrického náradia na iné účely, než na aké je určené, môže byť nebezpečné.

## 5. Opravy

- a. **Opravy elektrického náradia zverte iba kvalifikovanému technikovi, ktorý bude používať originálne náhradné dielce.** Tým zaistíte bezpečnú prevádzku náradia.

## Doplňkové bezpečnostné pokyny na prácu s elektrickým náradím



**Varovanie!** Ďalšie bezpečnostné pokyny týkajúce sa nožnic na živý plot.

- ♦ **Všetky časti Vášho tela držte z dosahu rezných čepelí. Neodstraňujte odrezané časti alebo nepridržiujte rezaný materiál, ak sú rezné čepele v chode. Pri odstraňovaní zaseknutých častí materiálu sa uistite, či je vypínač v polohe vypnuté.** Chvilka nepozornosti pri práci s elektrickým náradím môže viesť k vážnemu úrazu.
- ♦ **Záhradné nožnice prenášajte držaním za rukoväť so zastavenou čepeľou. Počas prepravy alebo pri uložení na čepeľ vždy nasadzte puzdro.** Správna manipulácia so záhradnými nožnicami znižuje možnosť úrazu ostrým čepeľou.
- ♦ **Elektrické náradie držte za izolované rukoväti, pretože môže dôjsť k zachyteniu prívodného kábla alebo skrytého vedenia reznou čepeľou.** Pri kontakte so "živým" vodičom sa neizolované kovové časti náradia stanú tiež "živé" a môžu tak obsluhu spôsobiť úraz elektrickým prúdom.
- ♦ **Prívodný kábel veďte mimo pracovnú oblasť rezu.** Počas práce môže dôjsť k skrytiu prívodného kábla vo vnútri kríka a k jeho neúmyselnému prerezaniu čepeľou.
- ♦ Určené použitie tohto výrobku je popísané v tomto návode. Použitie iného príslušenstva alebo prídavného zariadenia a vykonávanie iných pracovných operácií než je odporúčané týmto návodom, môže predstavovať riziko zranenia obsluhy alebo riziko spôsobenia hmotných škôd.
- ♦ Ak ste predtým so záhradnými nožnicami nepracovali, odporúčame Vám, spolu s preštudovaním tejto príručky, aj vykonanie praktickej inštruktáže so skúseným používateľom.

- ◆ Počas chodu náradia sa nikdy nedotýkajte čepeľí.
- ◆ Nikdy sa nepokúšajte silou zastaviť kmitajúce čepele.
- ◆ Nekládte zariadenie na zem, kým sa čepeľ celkom nezastaví.
- ◆ Čepele pravidelne kontrolujte, či nie sú poškodené alebo opotrebované. Ak sú čepele poškodené, s náradím nepracujte.
- ◆ Počas orezávania sa vyhýbajte tvrdým predmetom (napr. kovovým drôtom, zábradliu). Ak neúmyselne zachytíte akýkoľvek takýto predmet, okamžite vypnite náradie a skontrolujte, či nedošlo k jeho poškodeniu.
- ◆ Ak náradie začne neobvykle vibrovať, okamžite ho vypnite, odpojte od elektrickej siete a skontrolujte, či nedošlo k jeho poškodeniu.
- ◆ Ak dôjde k zaseknutiu čepele, náradie okamžite vypnite. Pred odstránením akýchkoľvek prekážok náradie odpojte od elektrickej siete.
- ◆ Po skončení práce zakryte čepeľ dodaným ochranným puzdrom. Náradie uložte a uistite sa, či nie je čepeľ odkrytá.
- ◆ Pri použití náradia vždy zaistíte, aby boli všetky kryty na svojom mieste. Nikdy neprevádzkujte náradie nekompletne zostavené alebo s neschválenými úpravami.
- ◆ Zabráňte použitiu náradia deťmi.
- ◆ Pri práci vo vyšších častiach kríkov dávajte pozor na padajúce úlomky.
- ◆ Náradie držte vždy oboma rukami a len za jeho vlastné rukoväti.

## Bezpečnosť ostatných osôb

- ◆ Tento výrobok nie je určený na použitie osobami (vrátane detí) so zníženými fyzickými, zmyslovými alebo duševnými schopnosťami, alebo s nedostatkom skúseností a znalostí, ak týmto osobám nebol stanovený dohľad, alebo ak im neboli poskytnuté inštrukcie týkajúce sa použitia výrobku osobou zodpovednou za ich bezpečnosť.
- ◆ Deti by mali byť pod dozorom, aby sa s náradím nehrali.

## Zvyškové riziká

Ak sa náradie používa iným spôsobom, než je uvedené v priložených bezpečnostných varovaniach, môžu sa objaviť dodatočné zvyškové riziká. Tieto riziká môžu vzniknúť v dôsledku nesprávneho použitia, dlhodobého použitia atď. Napriek tomu, že sa dodržiavajú príslušné

bezpečnostné predpisy a používajú sa bezpečnostné zariadenia, určité zvyškové riziká sa nemôžu vylúčiť. Tieto riziká sú nasledujúce:

- ◆ Zranenia spôsobené kontaktom s akoukoľvek rotujúcou alebo pohybujúcou sa časťou.
- ◆ Zranenia spôsobené pri výmene dielcov, pracovného nástroja alebo príslušenstva.
- ◆ Zranenia spôsobené dlhodobým používaním náradia. Ak používate akékoľvek náradie dlhší čas, zaistíte, aby sa robili pravidelné prestávky.
- ◆ Poškodenie sluchu.
- ◆ Zdravotné riziká spôsobené vdychovaním prachu vytváraného pri použití náradia (napríklad: práca s drevom, zvlášť s dubovým, bukovým a MDF materiálom.)

## Vibrácie

Deklarovaná úroveň vibrácií uvedená v technických údajoch a vo vyhlásení o zhode bola meraná v súlade so štandardnou skúšobnou metódou predpísanou normou EN 60745 a môže sa použiť na porovnanie jednotlivých náradí medzi sebou. Deklarovaná úroveň vibrácií sa môže tiež použiť na predbežné stanovenie času práce s týmto náradím.

**Varovanie!** Úroveň vibrácií sa pri aktuálnom použití elektrického náradia môže líšiť od deklarovanej úrovne vibrácií v závislosti od spôsobu použitia náradia. Úroveň vibrácií môže byť oproti uvedenej hodnote vyššia.

Pri stanovení času pôsobenia vibrácií, z dôvodu určenia bezpečnostných opatrení podľa normy 2002/44/EC na ochranu osôb pravidelne používajúcich elektrické náradie v zamestnaní, by mal predbežný odhad pôsobenia vibrácií brať na zretel' aktuálne podmienky použitia náradia s prihliadnutím na všetky časti pracovného cyklu, ako sú časy, keď je náradie vypnuté a keď beží naprázdno.

## Štítky na náradí

Na náradí sú nasledujúce piktogramy:



**Varovanie!** Z dôvodu zníženia rizika spôsobenia úrazu si používateľ musí prečítať tento návod na obsluhu.



Pri práci s týmto náradím používajte ochranné okuliare.



Pri práci so zariadením používajte ochranu sluchu.



Ak je prívodný kábel poškodený alebo ak dôjde k jeho preseknutiu, náradie ihneď odpojte od elektrického prívodu.



Zariadenie nevystavujte dažďu alebo prostrediu s vysokou vlhkosťou.



Smernica 2000/14/EC zaručuje hodnotu akustického výkonu.

### Elektrická bezpečnosť



Toto náradie je vybavené dvojitou izoláciou. Preto nie je nutné použitie uzemňovacieho vodiča. Vždy skontrolujte, či napájacie napätie zodpovedá napätiu na výkonovom štítku.

- ♦ Ak je poškodený prívodný kábel, musí byť vymenený výrobcom alebo v autorizovanom servise Black & Decker, aby sa zabránilo možným rizikám.
- ♦ Pri práci s elektrickým náradím vonku používajte predlžovacie káble určené na vonkajšie použitie. S týmto výrobkom sa môže použiť predlžovací kábel s dĺžkou 30 m a prierezom vodiča 30 m, bez toho, aby dochádzalo k stratám výkonu.
- ♦ Elektrická bezpečnosť môže byť ďalej zvýšená použitím prúdového chrániča (RCD) s vysokou citlivosťou 30 mA.

### Popis

Toto zariadenie sa skladá z niektorých alebo zo všetkých nasledujúcich častí.

1. Spúšť
2. Vypínač na prednej rukoväti
3. Predná rukoväť
4. Ochranný kryt
5. Čepeľ
6. Držiak kábla

### Zostavenie

**Varovanie!** Pred zostavením sa uistite, či je náradie vypnuté a odpojené od elektrickej siete a či je čepeľ chránená puzdrom.

### Nasadenie ochranného krytu (obr. A a B)

- ♦ Z tela náradia vyberte dve čiastočne zapustené skrutky.
- ♦ Zasuňte ochranný kryt (4) do drážok.
- ♦ Ochranný kryt zaistíte dvomi dodanými skrutkami (7).

**Varovanie!** Nikdy nepoužívajte náradie bez ochranného krytu.

### Pripojenie náradia k elektrickej sieti (obr. C)

Ak náradie nie je vybavené prívodným káblom, bude nutné k napájacíemu prívodu pripojiť predlžovací kábel.

- ♦ Stranu so zásuvkou vhodného predlžovacieho kábla pripojte k napájacíemu prívodu náradia.
- ♦ Kábel oviňte okolo držiaka (6) podľa obrázku, aby nedošlo k jeho odpojeniu počas používania náradia.
- ♦ Sieťovú zástrčku zasuňte do sieťovej zásuvky v stene.

**Varovanie!** Predlžovací kábel musí byť vhodný na vonkajšie použitie. V prípade použitia zvinovacieho kábla odviňte vždy celú dĺžku kábla.

### Použitie

**Varovanie!** Nechajte náradie pracovať jeho vlastným tempom. Zamedzte preťažovaniu náradia.

### Otočenie prednej rukoväti (obr. D) (iba pre model GT4550)

Pre Vaše pohodlie a komfort obsluhy je možné prednú rukoväť natočiť do 5 rôznych polôh.

- ♦ Stlačte tlačidlo otáčania prednej rukoväti (8).
- ♦ Otočte prednú rukoväť (3) do požadovanej polohy.
- ♦ Tlačidlo otáčania prednej rukoväti (8) uvoľnite.

**Poznámka:** Prednú rukoväť nožnic na živý plot nie je možné otáčať, pokiaľ sú nožnice v chode.

### Zapnutie a vypnutie

**Poznámka:** Z bezpečnostných dôvodov je toto náradie vybavené systémom dvojitého zapínania. Tento systém chráni pred neúmyselným zapnutím náradia a umožňuje chod náradia, iba ak je držané oboma rukami.

### Zapnutie (obr. E)

- ♦ Jednou rukou uchopte prednú rukoväť (3) tak, aby bol spínač na prednej rukoväti (2) stlačený smerom do tela náradia.
- ♦ Náradie uvediete do chodu stlačením spúšte (1) druhou rukou.

### Vypnutie

- ♦ Uvoľnite stlačenie spínača na prednej rukoväti (2) alebo spúšte (1).

**Varovanie!** Nikdy sa nepokúšajte zaistiť hlavný vypínač v polohe zapnuté.

### Rady na optimálne použitie

- ♦ Začnite zrezávaním vrchnej časti živého plotu. Náradie mierne nakloňte (až 15° vzhľadom

k línii rezu) tak, aby hroty čepele smerovali mierne smerom k živému plotu (obr. F). Tým bude dosiahnutá vyššia účinnosť rezania. Držte náradie v požadovanom uhle a stabilne ním pohybujte v rovine rezu. Obojstranná čepeľ Vám umožňuje rezať v ktoromkoľvek smere.

- ◆ Na dosiahnutie veľmi presného rezu napnite po celej dĺžke živého kríka povrázok v požadovanej výške. Povraz použite ako vodidlo a režte tesne nad ním (obr. G).
- ◆ Úplne plochých strán dosiahnete vykonaním rezu smerom zdola nahor v smerom rastu. Mladé výhonky sa pri reze smerom dole vychýľujú smerom von, a tak vznikajú v živom plote pri reze priehlbiny (obr. H).
- ◆ Dávajte pozor, aby ste nezachytili cudzí predmet. Obzvlášť sa vyvarujte zachytenia tvrdých predmetov, ako sú kovové drôty a zábradlie, mohlo by tak dôjsť k poškodeniu čepele (obr. I).
- ◆ Čepele pravidelne mažte.

### Pokyny na zrezávanie

- ◆ Živé ploty a kríky so sezónnymi listami (nové listy každý rok) reže v júni a v októbri.
- ◆ Stále zelené dreviny zrezávajú v apríli a auguste.
- ◆ Ihličnany a ďalšie rýchlo rastúce kríky zrezávajú od mája do októbra každých šesť týždňov.

### Pokyny na zrezávanie (Austrália & Nový Zéland)

- ◆ Živé ploty a kríky so sezónnymi listami (nové listy každý rok) reže v decembri a marci.
- ◆ Stále zelené dreviny zrezávajú v septembri a februári.
- ◆ Ihličnany a ďalšie rýchlo rastúce kríky zrezávajú od októbra do marca každých šesť týždňov.

### Príslušenstvo

Výkon Vášho náradia závisí od používaného príslušenstva. Príslušenstvá Black & Decker a Piranha sú navrhnuté a vyrobené podľa noriem pre vysokú kvalitu a sú určené na zvýšenie výkonu Vášho náradia. Použitím tohto príslušenstva docielite ten najlepší výsledok, ktorý Vám Vaše náradie môže poskytnúť. Mazací olej si môžete zakúpiť u Vášho značkového predajcu Black & Decker (kat. č. A6102-XJ):

### Údržba

Vaše náradie Black & Decker bolo skonštruované tak, aby pracovalo dlhý čas s minimálnymi nárokmi na údržbu. Riadna starostlivosť o výrobok a jeho pravidelné čistenie Vám zaistia jeho bezproblémový chod.

**Varovanie!** Pred vykonávaním akejkoľvek údržby elektrického náradia s prírodným káblom alebo náradia napájaného akumulátorom:

- ◆ Vypnite náradie a odpojte prírodný kábel od siete.
- ◆ Alebo náradie vypnite a vyberte z neho akumulátor, ak je náradie vybavené samostatným akumulátorom.
- ◆ Alebo pokiaľ nejde akumulátor z náradia vybrať, nechajte náradie v chode, pokiaľ nedôjde k jeho úplnému vybitiu.
- ◆ Pred čistením nabíjačky odpojte nabíjačku od siete. Vaša nabíjačka nevyžaduje žiadnu údržbu okrem pravidelného čistenia.
- ◆ Vetracie otvory náradia a nabíjačky pravidelne čistite mäkkou kefou alebo suchou handričkou.
- ◆ Pomocou vlhkej handričky pravidelne čistite kryt motora. Nepoužívajte žiadne abrazívne čistiace prostriedky alebo rozpúšťadlá.
- ◆ Po každom použití čepele dôkladne očistite. Po čistení naneste na čepele olejový film, aby nehrdzaveli.

### Výmena sieťovej zástrčky (iba pre Veľkú Britániu a Írsko)

Ak budete inštalovať novú zástrčku prírodného kábla:

- ◆ Zaisťujte ekologickú likvidáciu starej zástrčky.
- ◆ Pripojte hnedý vodič k svorke pod napätím na novej zástrčke.
- ◆ Modrý vodič pripojte k nulovej svorke.

**Varovanie!** Na uzemňovaciu svorku nebude pripojený žiadny vodič. Dodržujte montážne pokyny dodávané s kvalitnými zástrčkami. Odporúčaná poistka: 5 A.

### Ochrana životného prostredia



Triedte odpad. Tento výrobok sa nesmie likvidovať v bežnom komunálnom odpade.

Ak nebudete výrobok Black & Decker ďalej používať alebo ak si ho želáte nahradiť novým, nelikvidujte ho spolu s bežným komunálnym odpadom. Zaisťujte likvidáciu tohto výrobku v triedenom odpade.



Triedený odpad umožňuje recykláciu a opätovné využitie použitých výrobkov a obalových materiálov. Opätovné použitie recyklovaných materiálov pomáha chrániť životné prostredie pred znečistením a znižuje spotrebu surovín.

Pri kúpe nových výrobkov Vám predajne, miestne zberne odpadov alebo recyklačné stanice poskytnú informácie o správnej likvidácii elektroodpadov z domácnosti.

Spoločnosť Black & Decker poskytuje službu zberu a recyklácie výrobkov Black & Decker po skončení ich prevádzkovej životnosti. Ak chcete získať výhody tejto služby, odovzdajte, prosím, Váš výrobok ktorémukoľvek autorizovanému zástupcovi servisu, ktorý náradie odoberie a zaistí jeho recykláciu.

Miesto najbližšieho autorizovaného servisu Black & Decker nájdete na príslušnej adrese uvedenej v tomto návode. Zoznam autorizovaných servisov Black & Decker a podrobnosti o popredajnom servise nájdete aj na internetovej adrese: [www.2helpU.com](http://www.2helpU.com).

## Technické údaje

	GT4245 (Typ 1)	GT4550 (Typ 1)
Napájacie napätie	$V_{AC}$ 230	230
Príkon	W 420	450
Zdvihy nožov (chod naprázdno)	$\text{min}^{-1}$ 1960	1815
Dĺžka reznej lišty	cm 45	50
Rozpätie zubov	mm 16	18
Čas automatického zastavenia reznej lišty	s < 1	< 1
Hmotnosť	kg 2,1	2,4

### Hladina akustického tlaku podľa normy EN 60745:

Akustický tlak ( $L_{pA}$ ) 73 dB(A), odchýlka (K) 3 dB(A),  
akustický výkon ( $L_{WA}$ ) 93 dB(A), odchýlka (K) 3 dB(A)

### Celková úroveň vibrácií (priestorový vektorový súčet) podľa normy EN 60745:

Úroveň vibrácií ( $a_{h,r}$ ) 2,3  $\text{m/s}^2$ , odchýlka (K) 1,5  $\text{m/s}^2$

## ES Vyhlásenie o zhode v rámci EÚ

SMERNICA PRE STROJOVÉ ZARIADENIA  
NARIADENIA TÝKAJUCE SA VONKAJŠIEHO  
HLUKU



GT4245 / GT4550

Spoločnosť Black & Decker vyhlasuje, že tieto produkty popisované v technických údajoch spĺňajú požiadavky nasledujúcich noriem: 2006/42/EC, EN 60745-1, EN 60745-2-15.

2000/14/EC, Nožnice na živé ploty 1960  $\text{min}^{-1}$ , Príloha V

Meraný akustický výkon ( $L_{pA}$ )	93 dB(A)
Odchýlka (K)	3 dB(A)
Zaručený akustický výkon ( $L_{pA}$ )	96 dB(A)
Odchýlka (K)	3 dB(A)

Tieto výrobky spĺňajú tiež požiadavky smernice 2004/108/EC. Ak chcete získať ďalšie informácie, kontaktujte, prosím, spoločnosť Black & Decker na tejto adrese alebo na adresách, ktoré sú uvedené na konci tohto návodu.

Nižšie podpísaná osoba je zodpovedná za zostavenie technických údajov a vydáva toto vyhlásenie v zastúpení spoločnosti Black & Decker.

Kevin Hewitt  
Viceprezident pre spotrebiteľskú techniku  
Black & Decker Europe, 210 Bath Road, Slough,  
Berkshire, SL1 3YD  
United Kingdom  
22/08/2011

## Záruka

Spoločnosť Black & Decker je presvedčená o kvalite svojich výrobkov a ponúka mimoriadnu záruku. Táto záruka je ponúkaná v prospech zákazníka a nijako neovplyvní jeho zákonné záručné práva. Táto záruka platí vo všetkých členských štátoch EÚ a Európskej zóny voľného obchodu EFTA.

Ak sa objavia na výrobku Black & Decker, v priebehu 24 mesiacov od kúpy, akékoľvek materiálové či výrobné chyby, spoločnosť Black & Decker garantuje v snahe o minimalizovanie Vašich starostí bezplatnú výmenu chybných dielov, opravu alebo výmenu

celého výrobku za nižšie uvedených podmienok:

- ♦ Výrobok nebol používaný na obchodné alebo profesionálne účely a nedochádzalo k jeho prenájmu;
- ♦ Výrobok nebol vystavený nesprávnemu použitiu a nebola zanedbaná jeho predpísaná údržba;
- ♦ Výrobok nebol poškodený cudzím zavinením;
- ♦ Opravy neboli vykonávané inými osobami, než autorizovanými opravármi alebo mechanikmi autorizovaného servisu Black & Decker.

Ak požadujete záručnú opravu, budete musieť predajcovi alebo zástupcovi autorizovaného servisu predložiť doklad o kúpe výrobku.

Miesto najbližšieho autorizovaného servisu Black & Decker nájdete na príslušnej adrese uvedenej v tomto návode. Zoznam autorizovaných servisov Black & Decker a podrobnosti o popredajnom servise nájdete aj na internetovej adrese: **[www.2helpU.com](http://www.2helpU.com)**.

Navštívte, prosím, našu internetovú stránku **[www.blackanddecker.sk](http://www.blackanddecker.sk)**, aby ste mohli zaregistrovať Váš nový výrobok Black & Decker a kde budete informovaní o našich nových výrobkoch a špeciálnych ponukách. Na adrese **[www.blackanddecker.sk](http://www.blackanddecker.sk)** sú k dispozícii ďalšie informácie o značke Black & Decker a o celom rade našich ďalších výrobkov.

## Назначение

Ваш кусторез Black & Decker предназначен для обработки и подравнивания живых изгородей, а также небольших или колючих кустарников. Данный инструмент предназначен только для бытового использования.

## Инструкции по технике безопасности

### Общие правила безопасности при работе с электроинструментами



**Внимание!** Внимательно прочтите все инструкции по безопасности и руководство по эксплуатации. Несоблюдение всех перечисленных ниже правил безопасности и инструкций может привести к поражению электрическим током, возникновению пожара и/или получению тяжелой травмы.

**Сохраните все инструкции по безопасности и руководство по эксплуатации для их дальнейшего использования.** Термин «Электроинструмент» во всех приведенных ниже указаниях относится к Вашему сетевому (с кабелем) или аккумуляторному (беспроводному) электроинструменту.

#### 1. Безопасность рабочего места

##### a. Содержите рабочее место в чистоте и обеспечьте хорошее освещение.

Плохое освещение или беспорядок на рабочем месте может привести к несчастному случаю.

##### b. Не используйте электроинструменты, если есть опасность возгорания или взрыва, например, вблизи легко воспламеняющихся жидкостей, газов или пыли.

В процессе работы электроинструмент создает искровые разряды, которые могут воспаленить пыль или горючие пары.

##### c. Во время работы с электроинструментом не подпускайте близко детей или посторонних лиц.

Отвлечение внимания может вызвать у Вас потерю контроля над рабочим процессом.

#### 2. Электробезопасность

##### a. Вилка кабеля электроинструмента должна соответствовать

штепсельной розетке. Ни в коем случае не видоизменяйте вилку электрического кабеля. **Не используйте соединительные штепсели-переходники, если в силовом кабеле электроинструмента есть провод заземления.** Использование оригинальной вилки кабеля и соответствующей ей штепсельной розетки уменьшает риск поражения электрическим током.

- b. **Во время работы с электроинструментом избегайте физического контакта с заземленными объектами, такими как трубопроводы, радиаторы отопления, электроплиты и холодильники.** Риск поражения электрическим током увеличивается, если Ваше тело заземлено.
- c. **Не используйте электроинструмент под дождем или во влажной среде.** Попадание воды в электроинструмент увеличивает риск поражения электрическим током.
- d. **Бережно обращайтесь с электрическим кабелем. Ни в коем случае не используйте кабель для переноски электроинструмента или для вытягивания его вилки из штепсельной розетки. Не подвергайте электрический кабель воздействию высоких температур и смазочных веществ; держите его в стороне от острых кромок и движущихся частей инструмента.** Поврежденный или запутанный кабель увеличивает риск поражения электрическим током.
- e. **При работе с электроинструментом на открытом воздухе используйте удлинительный кабель, предназначенный для наружных работ.** Использование кабеля, пригодного для работы на открытом воздухе, снижает риск поражения электрическим током.
- f. **При необходимости работы с электроинструментом во влажной среде используйте источник питания, оборудованный устройством защитного отключения (УЗО).** Использование УЗО снижает риск поражения электрическим током.

#### 3. Личная безопасность

##### a. При работе с электроинструментами будьте внимательны, следите за тем,

что Вы делаете, и руководствуйтесь здравым смыслом. Не используйте электроинструмент, если Вы устали, а также находясь под действием алкоголя или понижающих реакцию лекарственных препаратов и других средств. Малейшая неосторожность при работе с электроинструментами может привести к серьезной травме.

- b. **При работе используйте средства индивидуальной защиты. Всегда надевайте защитные очки.**  
Своевременное использование защитного снаряжения, а именно: пылезащитной маски, ботинок на нескользящей подошве, защитного шлема или противодумовых наушников, значительно снизит риск получения травмы.
- c. **Не допускайте непреднамеренного запуска. Перед тем, как подключить электроинструмент к сети и/или аккумулятору, поднять его или перенести, убедитесь, что выключатель находится в положении «выключено».**  
Не переносите электроинструмент с нажатой кнопкой выключателя и не подключайте к сетевой розетке электроинструмент, выключатель которого установлен в положение «включено», это может привести к несчастному случаю.
- d. **Перед включением электроинструмента снимите с него все регулировочные или гаечные ключи.** Регулировочный или гаечный ключ, оставленный закрепленным на вращающейся части электроинструмента, может стать причиной тяжелой травмы.
- e. **Работайте в устойчивой позе. Всегда сохраняйте равновесие и устойчивую позу.** Это позволит Вам не потерять контроль при работе с электроинструментом в непредвиденной ситуации.
- f. **Одевайтесь соответствующим образом. Во время работы не надевайте свободную одежду или украшения. Следите за тем, чтобы Ваши волосы, одежда или перчатки находились в постоянном отдалении от движущихся частей инструмента.**  
Свободная одежда, украшения или длинные волосы могут попасть в движущиеся части инструмента.
- g. **Если электроинструмент снабжен устройством сбора и удаления пыли,**

убедитесь, что данное устройство подключено и используется надлежащим образом. Использование устройства пылеудаления значительно снижает риск возникновения несчастного случая, связанного с запыленностью рабочего пространства.

4. **Использование электроинструментов и технический уход**
  - a. **Не перегружайте электроинструмент. Используйте Ваш инструмент по назначению.** Электроинструмент работает надежно и безопасно только при соблюдении параметров, указанных в его технических характеристиках.
  - b. **Не используйте электроинструмент, если его выключатель не устанавливается в положение включения или выключения.**  
Электроинструмент с неисправным выключателем представляет опасность и подлежит ремонту.
  - c. **Отключайте электроинструмент от сетевой розетки и/или извлекайте аккумулятор перед регулированием, заменой принадлежностей или при хранении электроинструмента.**  
Такие меры предосторожности снижают риск случайного включения электроинструмента.
  - d. **Храните неиспользуемые электроинструменты в недоступном для детей месте и не позволяйте лицам, не знакомым с электроинструментом или данными инструкциями, работать с электроинструментом.**  
Электроинструменты представляют опасность в руках неопытных пользователей.
  - e. **Регулярно проверяйте исправность электроинструмента. Проверьте точность совмещения и легкость перемещения подвижных частей, целостность деталей и любых других элементов электроинструмента, воздействующих на его работу. Не используйте неисправный электроинструмент, пока он не будет полностью отремонтирован.**  
Большинство несчастных случаев являются следствием недостаточного технического ухода за электроинструментом.



**f. Следите за остротой заточки и чистой режущей принадлежностью.**

Принадлежности с острыми кромками позволяют избежать заклинивания и делают работу менее утомительной.

**g. Используйте электроинструмент, аксессуары и насадки в соответствии с данным Руководством и с учетом рабочих условий и характера будущей работы.** Использование электроинструмента не по назначению может создать опасную ситуацию.

**5. Техническое обслуживание**

**a. Ремонт Вашего электроинструмента должен производиться только квалифицированными специалистами с использованием идентичных запасных частей.** Это обеспечит безопасность Вашего электроинструмента в дальнейшей эксплуатации.

**Дополнительные меры безопасности при работе с электроинструментами**



**Внимание!** Дополнительные меры безопасности при работе кусторезами

- ◆ Следите за тем, чтобы все части Вашего тела находились на безопасном расстоянии от ножа. Не удаляйте срезанный материал и не держите руками обрабатываемый материал во время движения ножа. Прежде чем очистить инструмент от застрявшего материала убедитесь, что выключатель находится в положении «Выкл.». Малейшая неосторожность при работе с инструментом может привести к получению тяжелой травмы.
- ◆ Переносите кусторез, держа его за рукоятку, с остановленным ножом. При переноске или хранении кустореза всегда надевайте на нож чехол. Правильное удержание кустореза значительно уменьшает возможность получения травмы от режущего ножа.
- ◆ Держите инструмент только за изолированные рукоятки, поскольку режущий нож может задеть скрытую проводку или электрокабель инструмента. Контакт режущего ножа с находящимся под напряжением проводом делает не покрытые изоляцией металлические части электроинструмента «живыми», что создает опасность

поражения оператора электрическим током.

- ◆ **Следите, чтобы кабель находился в стороне от обрабатываемой поверхности.** В процессе работы кабель может запутаться в ветвях и случайно быть разрезан ножом.
- ◆ Назначение инструмента описывается в данном руководстве по эксплуатации. Использование любых принадлежностей или приспособлений, а также выполнение данным инструментом любых видов работ, не рекомендованных данным руководством по эксплуатации, может привести к несчастному случаю и/или повреждению личного имущества.
- ◆ Если Вы прежде не использовали кусторез, желательно получить практические рекомендации от опытного пользователя в дополнение к изучению данного руководства по эксплуатации.
- ◆ Ни в коем случае не прикасайтесь к ножам в ходе работы электроинструмента.
- ◆ Ни в коем случае не пытайтесь останавливать ножи, применяя силу.
- ◆ Не кладите электроинструмент, пока ножи полностью не остановятся.
- ◆ Регулярно проверяйте ножи на наличие повреждений и износ. Не пользуйтесь электроинструментом, если ножи повреждены или изношены.
- ◆ При стрижке внимательно следите, чтобы Вам не попались твердые предметы (например, металлическая проволока, элемент ограды). Если Вы случайно задели ножом похожий предмет, сразу же выключите электроинструмент и проверьте, нет ли повреждений.
- ◆ Если электроинструмент начинает сильно вибрировать, сразу же выключите его, отключите от электросети и проверьте, нет ли повреждений.
- ◆ Если электроинструмент застопорился, сразу же его выключите. Перед устранением застрявших обрезков отключите инструмент от электросети.
- ◆ По завершении работы, наденьте на нож чехол, входящий в комплект поставки. Электроинструмент следует хранить с надежно закрытыми ножами.
- ◆ Перед использованием электроинструмента проверьте, что установлены все защитные устройства. Никогда не работайте не полностью укомплектованным инструментом или

инструментом, в конструкцию которого внесены несанкционированные изменения.

- ◆ Никогда не позволяйте детям пользоваться инструментом.
- ◆ Следите за падающими обрезками веток при подрывании верхушки живой изгороди.
- ◆ Всегда держите инструмент обеими руками за предусмотренные рукоятки.

## Безопасность посторонних лиц

- ◆ Использование инструмента физически или умственно неполноценными людьми, а также детьми и неопытными лицами допускается только под контролем ответственного за их безопасность лица.
- ◆ Не позволяйте детям играть с электроинструментом.

## Остаточные риски

При работе с данным инструментом возможно возникновение дополнительных остаточных рисков, которые не вошли в описанные здесь правила техники безопасности. Эти риски могут возникнуть при неправильном или продолжительном использовании изделия и т.п.

Несмотря на соблюдение соответствующих инструкций по технике безопасности и использование предохранительных устройств, некоторые остаточные риски невозможно полностью исключить. К ним относятся:

- ◆ Травмы в результате касания вращающихся/двигающихся частей инструмента.
- ◆ Риск получения травмы во время смены деталей инструмента, ножей или насадок.
- ◆ Риск получения травмы, связанный с продолжительным использованием инструмента. При использовании инструмента в течение продолжительного периода времени делайте регулярные перерывы в работе.
- ◆ Ухудшение слуха.
- ◆ Ущерб здоровью в результате вдыхания пыли в процессе работы с электроинструментом (например, при работе с древесиной, в особенности, с дубом, буком и ДВП).

## Вибрация

Значения уровня вибрации, указанные в технических характеристиках инструмента и декларации соответствия, были измерены в соответствии со стандартным методом определения вибрационного воздействия согласно EN60745 и могут использоваться при сравнении характеристик различных инструментов. Приведенные значения уровня вибрации могут также использоваться для предварительной оценки величины вибрационного воздействия.

**Внимание!** Значения вибрационного воздействия при работе с электроинструментом зависят от вида работ, выполняемых данным инструментом, и могут отличаться от заявленных значений. Уровень вибрации может превышать заявленное значение.

При оценке степени вибрационного воздействия для определения необходимых защитных мер (2002/44/EC) для людей, использующих в процессе работы электроинструменты, необходимо принимать во внимание действительные условия использования электроинструмента, учитывая все составляющие рабочего цикла, в том числе, время, когда инструмент находится в выключенном состоянии, время, когда он работает без нагрузки, а также время его запуска и отключения.

## Маркировка инструмента

На инструменте имеются следующие знаки:



**Внимание!** Полное ознакомление с руководством по эксплуатации снизит риск получения травмы.



При работе с данным инструментом надевайте защитные очки или маску.



При работе с инструментом используйте средства защиты органов слуха.



Немедленно отключайте поврежденный или разрезанный кабель питания от электрической сети.



Не используйте инструмент под дождем или во влажной среде.



Гарантированная акустическая мощность в соответствии с Директивой 2000/14/EC.

## Электробезопасность



Данный инструмент защищен двойной изоляцией, что исключает потребность в заземляющем проводе. Всегда следите за напряжением электрической сети, оно должно соответствовать величине, обозначенной на информационной табличке электроинструмента.

- ◆ Во избежание несчастного случая, замена поврежденного кабеля питания должна производиться только на заводе-изготовителе или в авторизованном сервисном центре Black & Decker.
- ◆ При работе инструментом на открытом воздухе всегда пользуйтесь удлинительным кабелем, предназначенным для применения вне помещений. Можно использовать удлинительный кабель Black & Decker соответствующего напряжения и длиной до 30 м без потери мощности.
- ◆ Электробезопасность может быть повышена при использовании высокочувствительного 30 мА устройства защитного отключения (УЗО).

## Составные части

Ваш инструмент может содержать все или некоторые из перечисленных ниже составных частей:

1. Курковый пусковой выключатель
2. Клавиша пускового выключателя на передней рукоятке
3. Передняя рукоятка
4. Защитный щиток
5. Нож
6. Кабельный зажим

## Сборка

**Внимание!** Перед сборкой убедитесь, что электроинструмент выключен и отсоединен от электросети, а на ножи надет защитный чехол.

## Установка защитного щитка (Рис. А и В)

- ◆ Удалите с корпуса инструмента два частично завернутых винта.
- ◆ Вставьте защитный щиток (4) в специальные пазы на инструменте.
- ◆ Закрепите щиток при помощи 2-х винтов (7), входящих в комплект поставки.

**Внимание!** Никогда не используйте инструмент без установленного на месте защитного щитка.

## Подключение инструмента к электросети (Рис. С)

Если инструмент не оснащен кабелем подключения к электросети, Вам потребуется присоединить к соединительному элементу силового входа кустореза удлинительный кабель.

- ◆ Вставьте штепсельную розетку подходящего удлинительного кабеля в соединительный элемент силового входа инструмента.
- ◆ Для исключения случайного разъединения штепсельного разъема под воздействием растягивающего усилия при эксплуатации инструмента, зацепите петлю удлинительного кабеля за крюк (6), как показано на рисунке.
- ◆ Вставьте вилку удлинительного кабеля в штепсельную розетку электросети.

**Внимание!** Удлинительный кабель должен быть пригоден для эксплуатации на открытом воздухе. При использовании кабельного барабана, всегда полностью разматывайте кабель.

## Эксплуатация

**Внимание!** Не форсируйте рабочий процесс. Избегайте перегрузки электроинструмента.

## Регулировка передней рукоятки (Рис. D) (Только GT4550)

Рукоятка может устанавливаться в пяти различных положениях, обеспечивая полный комфорт и удобство при эксплуатации инструмента.

- ◆ Нажмите на кнопку регулировки рукоятки (8).
- ◆ Поверните переднюю рукоятку (3) в желаемое положение.
- ◆ Отпустите кнопку регулировки рукоятки (8).

**Примечание:** Во время работы кустореза регулировка передней рукоятки невозможна.

## Включение и выключение

**Примечание:** В целях безопасности инструмент оборудован системой двойного включения. Данная система предотвращает непреднамеренный запуск инструмента и позволит включение только в том случае, если инструмент удерживается обеими руками.

### Включение (Рис. Е)

- ◆ Одной рукой крепко удерживайте переднюю рукоятку (3), одновременно нажимая клавишу пускового выключателя, расположенную на рукоятке.
- ◆ Чтобы включить инструмент, другой рукой нажмите на курковый пусковой выключатель (1).

### Выключение

- ◆ Отпустите клавишу пускового выключателя на передней рукоятке (2) или курковый выключатель (1).

**Внимание!** Ни в коем случае не пытайтесь заблокировать клавишу пускового выключателя во включенном положении!

### Рекомендации по оптимальному использованию

- ◆ Начинайте стричь живую изгородь с верхушки. Слегка наклоните инструмент (на угол до 15° относительно линии реза), так чтобы кончики ножей были направлены на живую изгородь (Рис. F). В таком положении ножи будут резать более эффективно. Держите инструмент под требуемым углом и неотрывно перемещайте его вдоль линии реза. Двусторонний нож позволяет стричь в любом направлении.
- ◆ Чтобы добиться идеально ровного среза, натяните веревку вдоль всей живой изгороди на желаемой высоте. Используйте натянутую веревку в качестве контрольной линии и стригите непосредственно над ней (Рис. G).
- ◆ Чтобы боковины живой изгороди получились ровными, стригите вверх по направлению роста веток. При стрижке сверху вниз молодые побеги отклоняются наружу, что приводит к образованию неглубоких прогалин в живой изгороди (Рис. H).
- ◆ Следите, чтобы под нож не попали посторонние предметы. Особенно избегайте контакта с такими твердыми предметами, как металлическая проволока и элементы ограды, которые могут повредить ножи (Рис. I).
- ◆ Регулярно смазывайте ножи маслом.

### Указания по стрижке живой изгороди

- ◆ Стрижку листопадных кустарников и живых изгородей (ежегодно меняющих листву) производите в июне и октябре.

- ◆ Стрижку вечнозеленых живых изгородей производите в апреле и августе.
- ◆ Стрижку хвойных и других быстро растущих видов кустарника производите каждые 6 недель в период с мая по октябрь.

### Дополнительные принадлежности

Производительность Вашего электроинструмента напрямую зависит от используемых принадлежностей. Принадлежности Black & Decker и Piranha изготовлены в соответствии с самыми высокими стандартами качества и способны увеличить производительность Вашего электроинструмента. Используя эти принадлежности, Вы достигнете наилучших результатов в работе. Смазочное масло можно приобрести у Вашего дилера Black & Decker (номер по каталогу A6102-XJ).

### Техническое обслуживание

Ваш электрический/аккумуляторный инструмент Black & Decker рассчитан на работу в течение продолжительного времени при минимальном техническом обслуживании. Срок службы и надежность инструмента увеличивается при правильном уходе и регулярной чистке.

**Внимание!** Перед проведением технического обслуживания электрического/аккумуляторного инструмента:

- ◆ Выключите инструмент и отключите его от источника питания.
- ◆ Или выключите инструмент и выньте из него аккумулятор, если инструмент оснащен съемным аккумулятором.
- ◆ В случае наличия встроенного аккумулятора, полностью разгрузите аккумулятор и выключите инструмент.
- ◆ Перед чистой зарядного устройства отключите его от источника питания. Ваше зарядное устройство не требует никакого дополнительного технического обслуживания, кроме регулярной чистки.
- ◆ Регулярно очищайте вентиляционные отверстия инструмента/прибора/зарядного устройства мягкой щеткой или сухой тканью.
- ◆ Регулярно очищайте корпус двигателя влажной тканью. Не используйте абразивные чистящие средства, а также чистящие средства на основе растворителей.

- ◆ После использования, тщательно протрите ножи. После чистки ножей нанесите на них тонкий слой светлого машинного масла для защиты от коррозии.

## Защита окружающей среды



Раздельный сбор. Данное изделие нельзя утилизировать вместе с обычными бытовыми отходами.

Если однажды Вы захотите заменить Ваш электроинструмент Black & Decker или Вы больше в нем не нуждаетесь, не выбрасывайте его вместе с бытовыми отходами. Отнесите изделие в специальный приемный пункт.



Раздельный сбор изделий с истекшим сроком службы и их упаковок позволяет пускать их в переработку и повторно использовать. Использование переработанных материалов помогает защищать окружающую среду от загрязнения и снижает расход сырьевых материалов.

Местное законодательство может обеспечить сбор старых электроинструментов отдельно от бытового мусора на муниципальных свалках отходов, или Вы можете сдавать их в торговом предприятии при покупке нового изделия.

Фирма Black & Decker обеспечивает прием и переработку отслуживших свой срок изделий Black & Decker. Чтобы воспользоваться этой услугой, Вы можете сдать Ваше изделие в любой авторизованный сервисный центр, который собирает их по нашему поручению.

Вы можете узнать место нахождения Вашего ближайшего авторизованного сервисного центра, обратившись в Ваш местный офис Black & Decker по адресу, указанному в данном руководстве по эксплуатации. Кроме того, список авторизованных сервисных центров Black & Decker и полную информацию о нашем послепродажном обслуживании и контактах Вы можете найти в интернете по адресу: [www.2helpU.com](http://www.2helpU.com).

## Технические характеристики

		GT4245 (Тип 1)	GT4550 (Тип 1)
Напряжение	В перем. тока	230	230
Потребляемая мощность	Вт	420	450
Число ходов ножа (без нагрузки) ход/мин.			
		1960	1815
Длина ножа	см	45	50
Расстояние между зубьями	мм	16	18
Время торможения ножа	сек.	<1	<1
Вес	кг	2,1	2,4

### Уровень звукового давления в соответствии с EN 60745:

Звуковое давление ( $L_{pA}$ ) 73 дБ(А), погрешность (К) 3 дБ(А), Акустическая мощность ( $L_{WA}$ ) 93 дБ(А), погрешность (К) 3 дБ(А)

### Сумма величин вибрации (сумма векторов по трем осям), измеренных в соответствии со стандартом EN 60745:

Вибрационное воздействие ( $a_{h,D}$ ) 2,3 м/с<sup>2</sup>, погрешность (К) 1,5 м/с<sup>2</sup>

## Декларация соответствия ЕС

ДИРЕКТИВА ПО МЕХАНИЧЕСКОМУ  
ОБОРУДОВАНИЮ  
ДИРЕКТИВА ПО ШУМАМ, ПРОИЗВОДИМЫМ  
ВНЕ ПОМЕЩЕНИЙ



**GT4245 / GT4550**

Black & Decker заявляет, что продукты, обозначенные в разделе «Технические характеристики», полностью соответствуют стандартам: 2006/42/ЕС, EN 60745-1, EN 60745-2-15.

2000/14/ЕС, Кусторез, 1960 об./мин.,  
Приложение V

Измеренная акустическая мощность ( $L_{pA}$ )	93 дБ(А)
Погрешность (К)	3 дБ(А)
Гарантированная акустическая мощность ( $L_{pA}$ )	96 дБ(А)
Погрешность (К)	3 дБ(А)

Данные продукты также соответствуют Директиве 2004/108/ЕС. За дополнительной информацией обращайтесь по указанному ниже адресу или по адресу, указанному на последней странице руководства.

Нижеподписавшееся лицо полностью отвечает за соответствие технических данных и делает это заявление от имени фирмы Black & Decker.

Кевин Хьюитт (Kevin Hewitt)  
Вице-президент отдела мирового  
проектирования  
Black & Decker Europe, 210 Bath Road, Slough,  
Berkshire, SL1 3YD  
United Kingdom  
22/08/2011

## БЛЭК ЭНД ДЕККЕР

### Гарантийные условия

#### Уважаемый покупатель!

1. Поздравляем Вас с покупкой высококачественного изделия БЛЭК ЭНД ДЕККЕР и выражаем признательность за Ваш выбор.
- 1.1. Надежная работа данного изделия в течение всего срока эксплуатации - предмет особой заботы наших сервисных служб. В случае возникновения каких-либо проблем в процессе эксплуатации изделия рекомендуем Вам обращаться только в авторизованные сервисные организации, адреса и телефоны которых Вы сможете найти в Гарантийном талоне или узнать в магазине. Наши сервисные станции - это не только квалифицированный ремонт, но и широкий выбор запчастей и принадлежностей.
- 1.2. При покупке изделия требуйте проверки его комплектности и исправности в Вашем присутствии, инструкцию по эксплуатации и заполненный Гарантийный талон на русском языке. При отсутствии у Вас правильно заполненного Гарантийного талона мы будем вынуждены отклонить Ваши претензии по качеству данного изделия.
- 1.3. Во избежание недоразумений убедительно просим Вас перед началом работы с изделием внимательно ознакомиться с инструкцией по его эксплуатации.
- 1.4. Обращаем Ваше внимание на исключительно бытовое назначение данного изделия.
2. Правовой основой настоящих гарантийных условий является действующее Законодательство и, в частности, Закон "О защите прав потребителей".
3. Гарантийный срок на данное изделие составляет 24 месяца и исчисляется со дня продажи через розничную торговую сеть. В случае устранения недостатков изделия, гарантийный срок продлевается на период, в течение которого оно не использовалось.
4. Срок службы изделия - 5 лет (минимальный, установленный в соответствии с Законом "О защите прав потребителей").
5. Наши гарантийные обязательства распространяются только на неисправности, выявленные в течение гарантийного срока и обусловленные производственными и конструктивными факторами.
6. Гарантийные обязательства не распространяются:
  - 6.1. На неисправности изделия, возникшие в результате:
    - 6.1.1. Несоблюдения пользователем предписаний инструкции по эксплуатации изделия.
    - 6.1.2. Механического повреждения, вызванного внешним ударным или любым иным воздействием.

- 6.1.3. Использования изделия в профессиональных целях и объемах, в коммерческих целях.
- 6.1.4. Применения изделия не по назначению.
- 6.1.5. Стихийного бедствия.
- 6.1.6. Неблагоприятных атмосферных и иных внешних воздействий на изделие, таких как дождь, снег, повышенная влажность, нагрев, агрессивные среды, несоответствие параметров питающей электросети параметрам, указанным на инструменте.
- 6.1.7. Использования принадлежностей, расходных материалов и запчастей, не рекомендованных или не одобренных производителем.
- 6.1.8. Проникновения внутрь изделия посторонних предметов, насекомых, материалов или веществ, не являющихся отходами, сопровождающими применение по назначению, такими как стружка опилки и пр.
- 6.2. На инструменты, подвергавшиеся вскрытию, ремонту или модификации вне уполномоченной сервисной станции.
- 6.3. На принадлежности, запчасти, вышедшие из строя вследствие нормального износа, и расходные материалы, такие как приводные ремни, угольные щетки, аккумуляторные батареи, ножи, пилки, абразивы, пыльные диски, сверла, буры и т. п.
- 6.4. На неисправности, возникшие в результате перегрузки инструмента, повлекшей выход из строя электродвигателя или других узлов и деталей. К безусловным признакам перегрузки изделия относятся, помимо прочих: появление цветов побежалости, деформация или оплавление деталей и узлов изделия, потемнение или обугливание изоляции проводов электродвигателя под воздействием высокой температуры.



ME 77



007

Блак энд Деккер Гмбх  
Блак энд Деккер Штрассе, 40  
65510 Идштайн, Германия

## Область застосування

Ваш Black & Decker був розроблений для підстригання живих огорож, кущів та колючих кущів. Цей інструмент призначений лише для побутового використання.

## Інструкції з техніки безпеки

### Загальні правила безпеки для електричного інструменту



**Попередження!** Перед використанням інструменту уважно прочитайте всі попередження та інструкції. Невиконання попереджень та інструкцій, наведених нижче, може призвести до ураження електричним струмом, пожежі та/або серйозних травм.

**Збережіть всі попередження та інструкції для використання в майбутньому.** Термін "електричний інструмент" у попередженнях застосовується для Ваших інструментів, що працюють від мережі енергоспоживання (з використанням електричного кабелю) або акумуляторів (без кабелю).

#### 1. Безпека робочої зони

**а. Тримайте робочу зону чистою та добре освітленою.** Неупорядковані та темні робочі зони збільшують ймовірність нещасного випадку.

**б. Не використовуйте електричні інструменти у вибухонебезпечній атмосфері, наприклад, за наявності вогнебезпечних рідин, газів та пилу.** Електричні інструменти створюють іскри, що можуть запалити пил або випаровування.

**в. Тримайте дітей та сторонніх подалі під час використання інструменту.** Відвернення уваги може призвести до втрати контролю.

#### 2. Електрична безпека

**а. Вилки електричного інструменту мають відповідати розетці. Ніколи ніяким чином не змінюйте вилку. Не використовуйте адаптерів із заземленими електричними інструментами.** Немодифіковані вилки та розетки, що підходять до них, зменшують ризик ураження електричним струмом.

**б. Уникайте контакту тіла із заземленими поверхнями, такими як труби, радіатори, плити та холодильники.**

Якщо Ваше тіло заземлене, збільшується ризик ураження електричним струмом.

- в. Не залишайте електричні інструменти під дощем або в умовах підвищеної вологості.** Вода, що потрапляє в електричний інструмент, підвищує ризик ураження електричним струмом.
  - г. Не використовуйте кабелів живлення не за призначенням. Ніколи не використовуйте шнур для перенесення, витягування та відключення від розетки живлення електричного інструменту. Тримайте шнур подалі від високих температур, мастила, гострих предметів та рухомих деталей.** Пошкоджені або перекручені шнури підвищують ризик ураження електричним струмом.
  - г. У разі використання електричного інструменту на вулиці, застосовуйте подовжувальний шнур, що підходить для використання на вулиці.** Використання шнура, що підходить для вулиці, знижує ризик ураження електричним струмом.
  - д. Якщо неможливо уникнути використання електричного інструменту в умовах підвищеної вологості, використовуйте живлення, захищене пристроєм залишкового струму (RCD).** Використання RCD знижує ризик ураження електричним струмом.
- #### 3. Особиста безпека
- а. Будьте в стані готовності, дивіться, що ви робите, та використовуйте загальний глузд, коли ви працюєте з електричним інструментом. Не використовуйте електричний інструмент, коли ви втомлені або знаходитесь під впливом наркотичних речовин, алкоголю або ліків.** Втрата уваги при роботі з електричними інструментами може призвести до серйозних травм.
  - б. Використовуйте засоби особистої безпеки. Завжди використовуйте засоби захисту очей.** Засоби безпеки, такі як протипилова маска, неслизькі безпечні чоботи, твердий капелюх та засоби захисту слухового апарату, які використані для відповідних умов, зменшують ймовірність особистих травм.
  - в. Уникнення випадкового запуску. Переконайтесь в тому, що вимикач знаходиться в позиції Вкл. перед**



- підключенням до джерела живлення та/або акумулятора, переміщенням або перенесенням пристрою. Перенесення електричних інструментів, не відпускаючи пальця з вимикача, або ввімкнення електричного інструменту з перемикачем в позиції "Ввімкнено" може призвести до нещасного випадку.
- г. **Зніміть усі налаштувальні ключі або гайкові ключі перед тим, як вмикати електричний інструмент.** Гайковий ключ, що залишився прикріпленим до якоїсь деталі електричного пристрою, яка обертається, може призвести до травм.
- г. **Не перенапружуйтеся. Завжди утримуйте правильну постановку ніг і рівновагу.** Це дає вам змогу краще контролювати інструмент в неочікуваних ситуаціях.
- д. **Вдягайте належний одяг. Не вдягайте вільний одяг чи прикраси. Тримайте ваше волосся, одяг та рукавички подалі від рухомих деталей.** Вільний одяг, прикраси або довге волосся може зачепитися за рухомі деталі.
- е. **Якщо передбачено пристрої для підключення до засобів виділення та збирання пилу, переконайтеся, що вони підключені та використовуються належним чином.** Використання таких пристроїв зменшує ризик виникнення небезпечних ситуацій, що пов'язані з потраплянням пилу.
4. **Використання та догляд за електричним інструментом**
- а. **Не використовуйте надмірні зусилля під час роботи з електричним інструментом. Використовуйте відповідний електричний інструмент для вашої задачі.** Правильно обраний інструмент виконає завдання краще та безпечніше за умов, для яких він був розроблений.
- б. **Не використовуйте інструмент, вмикач якого не вмикає та не вимикає його.** Будь-який електричний інструмент, який не може управлятися вмикачем, є небезпечним і має бути відремонтований.
- в. **Відключіть вилку від джерела живлення перед тим, як робити будь-які налаштування, змінювати додаткове обладнання чи зберігати електричний інструмент.** Ці профілактичні заходи зменшують ризик випадкового запуску електричного інструменту.
- г. **Бережіть вимкнені електричні інструменти від дітей та не дозволяйте особам, що не знайомі з електричним інструментом або цими інструкціями використовувати електричний інструмент.** Електричні інструменти є небезпечними, якщо вони використовуються некваліфікованими користувачами.
- г. **Технічне обслуговування електричних інструментів. Перевіряйте на відсутність вирівнювання або заїдання рухомих деталей, ушкоджених частин та інших умов, що можуть впливати на роботу електричного інструменту.** Якщо є ушкодження, відремонтуйте електричний інструмент перед використанням. Багато нещасних випадків є результатом того, що інструмент не пройшов відповідного технічного обслуговування.
- д. **Тримайте ріжучі інструменти гострими та чистими.** Правильно доглянуті ріжучі інструменти з гострими ріжучими кромками мають меншу ймовірність заїдання, та ними легше керувати.
- е. **Використовуйте електричний інструмент, додаткові інструменти та деталі інструменту тощо у відповідності до цих інструкцій та відповідно до даного типу електричних інструментів, зважаючи на умови використання та роботу, яка має бути виконана.** Використання електричних інструментів не за призначенням може призвести до виникнення небезпечних ситуацій.
5. **Обслуговування**
- а. **Надавайте Ваш електричний інструмент для обслуговування кваліфікованим спеціалістом з ремонту та використовуйте тільки ідентичні замінні деталі.** Це забезпечить безпеку електричного пристрою, що обслуговується.

### Додаткові правила безпеки для електричного інструменту



**Попередження!** Додаткові інструкції з техніки безпеки для секаторів

- ♦ **Тримайте усі частини тіла подалі від леза. Не прибирайте відрізаний матеріал і не тримайте матеріал, який ви збираєтесь відрізати, коли леза**

**секатора рухаються. Під час чищення від матеріалу, що застряг у секаторі, вмикач має бути вимкнено.** Втрата уваги під час роботи з інструментом може призвести до серйозних травм.

- ◆ **Переносити секатор треба, тримаючи його за ручку. При цьому лезо не повинно рухатись. Під час транспортування або зберігання секатора завжди захищайте його спеціальним чохлом.** Належна експлуатація секатора знизить ризик можливого отримання травм від його лез.
- ◆ **Тримайте електричний інструмент виключно за захватні ізольовані поверхні, оскільки лезо може доторкнутись до прихованої електропроводки або шнура самого секатора.** Контакт лез секатора з дротом під напругою може призвести до появи напруги в інструменті та ураження оператора електричним струмом.
- ◆ **Тримайте кабель подалі від ріжучої поверхні.** Під час роботи ви можете випадково порізати прихований у кущах кабель секатора його лезами.
- ◆ Використання за призначенням описане в цьому керівництві. Використання аксесуарів або приладдя, або виконання будь-яких дій з інструментом, що суперечать рекомендаціям цього керівництва, може призвести до ризику травмування людини та/або пошкодження майна.
- ◆ Якщо ви не використовували секатор раніше, вивчіть це керівництво і зверніться за практичними порадами до досвідченого користувача (бажано).
- ◆ Ніколи не торкайтесь лез, коли інструмент увімкнений.
- ◆ Ніколи не намагайтесь зупинити рух лез.
- ◆ Ніколи не кладіть інструмент, доки леза повністю не зупиняться.
- ◆ Регулярно перевіряйте леза на пошкодження і зношення. Не використовуйте інструмент, якщо його леза пошкоджено.
- ◆ Уникайте контакту лез із твердими предметами (металевими дротами, огорожами) під час різання. У разі випадкового контакту лез із таким предметом негайно вимкніть інструмент і перевірте його на наявність пошкоджень.
- ◆ У разі незвичних вібрацій інструменту негайно вимкніть його, від'єднайте від

електромережі і перевірте на наявність пошкоджень.

- ◆ Якщо інструмент пробуксовує, негайно вимкніть його. Від'єднайте його від електромережі перед тим, як прибирати будь-які перепони.
- ◆ Після використання натягніть спеціальні піхви, що входять до комплекту поставки, на леза секатора. Під час зберігання інструменту переконайтесь у тому, що його леза не відкриті.
- ◆ Завжди переконайтесь у тому, що усі захисні кожухи встановлено. Ніколи не намагайтесь застосовувати не повністю укомплектований інструмент або інструмент з несанкціонованими змінами конструкції.
- ◆ Ніколи не дозволяйте дітям використовувати інструмент.
- ◆ Пильуйте за падаючими уламками під час зрізання високо розташованих частин живих огорож.
- ◆ Завжди тримайте інструмент обома руками за відповідні ручки.

## Безпека сторонніх людей

- ◆ Цей інструмент не призначений для використання особами (включаячи дітей) із зниженими фізичними, сенсорними або розумовими можливостями, а також особами, які не мають досвіду та знань, за винятком випадків, коли вони працюють під наглядом або отримали відповідні інструкції щодо використання пристрою від особи, відповідальної за безпеку.
- ◆ Дітям слід знаходитись під контролем, щоб гарантувати, що вони не будуть грати із пристроєм.

## Залишкові ризики.

При використанні інструменту можуть виникнути додаткові залишкові ризики, які можуть бути не внесені до попереджень щодо техніки безпеки цього керівництва. Ці ризики можуть виникнути як результат неправильного використання, тривалого використання, тощо. Незважаючи на виконання всіх відповідних правил техніки безпеки та використання пристроїв безпеки, неможливо уникнути деяких залишкових ризиків. Сюди належать:

- ◆ Травми через контакт з деталями, що рухаються/обертаються.
- ◆ Травми при заміні деталей, пильних полотен або аксесуарів.

- ◆ Травми через занадто тривале використання інструменту. При використанні будь-якого інструменту протягом тривалого періоду часу не забувайте робити регулярні перерви.
- ◆ Порушення слуху.
- ◆ небезпека для здоров'я через вдихання пилу, що утворюється при використанні інструменту (наприклад, - під час обробки деревини, особливо дуба, берези та ДВП).



В Директиві 2000/14/ЕС вказана гарантована звукова потужність.

### Електрична безпека



Цей зарядний пристрій має подвійну ізоляцію; тому заземлення не є необхідним. Завжди перевіряйте, що джерело живлення відповідає напрузі, яка вказана на табличці з паспортними даними.

- ◆ Якщо шнур живлення пошкоджений, його необхідно замінити у виробника або в офіційному сервісному центрі Black & Decker для уникнення небезпеки.
- ◆ У разі використання інструменту на вулиці застосовуйте тільки ті подовжувальні шнури, що підходять для використання на вулиці. Можна використовувати стандартний подовжувальний шнур Black & Decker довжиною до 30 м без втрат потужності.
- ◆ Рівень електричної безпеки можна також підвищити, використовуючи високочутливий пристрій залишкового струму (RCD) 30 мА.

### Деталі

Цей інструмент має деякі чи всі деталі з нижче вказаних.

1. Курковий вмикач
2. Вмикач на передній ручці
3. Передня ручка
4. Захисний кожух
5. Лезо
6. Фіксатор кабелю

### Зборка

**Попередження!** Перед зборкою слід упевнитись в тому, що інструмент вилучено і від'єднано від електромережі, а також, що леза захищені спеціальними піхвами.

### Встановлення захисного кожуха (мал. А та В)

- ◆ Вийміть два частково вставлені гвинти з корпусу інструменту.
- ◆ Встановіть захисний кожух (4) у пази.
- ◆ Закріпіть захисний кожух двома гвинтами (7), що входять до комплекту поставки.

**Попередження!** Не використовуйте інструмент беззахисного кожуху.

### Вібрація

Значення вібрації, що вказані в технічних даних та в декларації про відповідність, виміряні з дотриманням стандартних методів тестування, наданих в EN 60745, та їх можна використовувати для порівняння одного інструменту з іншим. Задекларовані значення вібрації можна також використовувати для попередньої оцінки впливу вібрації.

**Попередження!** Значення вібрації під час використання інструменту може відрізнятись від задекларованого в залежності від способів використання інструменту. Рівень вібрації може перевищувати вказані значення.

При оцінці впливу вібрації для визначення заходів безпеки за вимогами 2002/44/ЕС, щоб захистити людей, що регулярно використовують інструменти в роботі, необхідно враховувати реальні умови та способи використання інструменту, включаючи врахування всіх періодів робочого циклу, наприклад, часу, коли інструмент вимкнено та коли він знаходиться в режимі очікування, а також часу реальної роботи інструменту.

### Написи на інструменті

На інструменті є наступні піктограми:



**Попередження!** Щоб зменшити ризик травм, користувач повинен прочитати керівництво з експлуатації.



Використовуйте захисні окуляри при роботі з інструментом.



Використовуйте засоби захисту слуху при використанні цього інструменту.



Негайно від'єднайте кабель від електромережі у разі його пошкодження або порізу.



Не залишайте інструмент під дощем та в умовах підвищеної вологості.

## Підключення інструменту до мережі живлення (мал. С)

Якщо інструмент не оснащено кабелем мережевого живлення, треба під'єднати подовжувальний кабель до входу живлення інструменту.

- ◆ З'єднайте штепсельну розетку відповідного подовжувального кабелю з отвором входу живлення.
- ◆ Зробіть з кабелю петлю, пропустивши його через фіксатор кабелю (6), як показано на малюнку, щоб подовжувальний кабель випадково не від'єднався від інструменту під час використання.
- ◆ Підключіть мережний кабель до мережі живлення.

**Попередження!** Використовуйте подовжувальний кабель, що необхідний для використання поза приміщенням. При використанні кабельного барабану завжди витягуйте весь кабель.

## Використання

**Попередження!** Інструмент повинен працювати із рекомендованою швидкістю. Не перевантажуйте його.

## Обертання передньої ручки (мал. D) (лише для GT4550)

Для зручності під час використання передня ручка може обертатися у 5 різних положеннях.

- ◆ Натисніть на кнопку обертання передньої ручки (8).
- ◆ Поверніть передню ручку (3) у необхідне положення.
- ◆ Відпустіть кнопку обертання передньої ручки (8).

**Примітка:** Не дозволяється обертати передню ручку секатора під час роботи інструменту.

## Вмикання та вимикання

**Примітка:** Для Вашої безпеки цей інструмент оснащено системою вмикання двома вмикачами. Ця система перешкоджає ненавмисному пуску інструменту. Він включається лише тоді, коли ви тримаєте його обома руками.

## Вмикання (мал. Е)

- ◆ Візьміться за передню ручку (3) однією рукою і втисніть вмикач на передній ручці (2) у корпус передньої ручки.
- ◆ Іншою рукою натисніть на курковий вмикач (1), після чого інструмент буде ввімкнено.

## Вимкнення

- ◆ Відпустіть вмикач на ручці (2) або курковий вмикач (1).

**Попередження!** Не намагайтесь заблокувати вмикач у включеному положенні.

## Примітки для оптимального використання

- ◆ Починайте підрізати живу огорожу з верхньої частини. Злегка нахиліть інструмент (під кутом не більше 15° до лінії зрізання) так, щоб кінці лез секатора були злегка повернуті до живої огорожі (мал. F). Такий кут розташування лез зробіть зрізання більш ефективним. Тримайте інструмент під бажаним кутом і ведіть його по лінії зрізання без перекосів. Двостороннє лезо секатора дозволяє вам різати в обох напрямках.
- ◆ Для отримання рівних зрізів рівного зрізу розтягніть мотузку вздовж живої огорожі на потрібній висоті. Використовуйте мотузку як напрямну, зрізуючи безпосередньо над нею (мал. G).
- ◆ для отримання рівних зрізів рослини треба зрізати знизу вгору за напрямком росту. Більш молоді стебла відгинаються назовні, якщо лезо зрізує згори вниз. Таким чином на поверхні живої огорожі формуються "пробіли" (мал. H).
- ◆ Уникайте контакту лез із сторонніми предметами. Особливо треба уникати контакту із твердими предметами, такими як металеві дроти або огорожі, оскільки вони можуть пошкодити леза (мал. I).
- ◆ Регулярно змащуйте леза.

## Інструкції з підрізання

- ◆ Живі огорожі і кущі із сезонним листям (новим листям, що з'являється кожного року) слід підрізати у червні і жовтні.
- ◆ Вічнозелені рослини слід підрізати у квітні і серпні.
- ◆ Хвойні та інші кущі, що швидко ростуть, треба підстригати кожні шість тижнів із травня по жовтень.

## Інструкції з підрізання (Австралія і Нова Зеландія)

- ◆ Живі огорожі і кущі із сезонним листям (новим листям, що з'являється кожного року) слід підрізати у грудні і березні.
- ◆ Вічнозелені рослини слід підрізати у вересні і лютому.

- ◆ Хвойні та інші куці, що швидко ростуть, слід підрізати кожні шість тижнів із жовтня по березень.

## Витратні матеріали

Продуктивність роботи інструменту залежить від витратних матеріалів, які Ви використовуєте. Витратні матеріали виробництва фірм Black & Decker та Piranha розроблені з дотриманням високих стандартів якості та створені для підвищення ефективності використання вашого інструменту. Використовуючи ці матеріали, Ви отримаєте максимум ефективності від вашого інструменту.

Масило можна замовити у Вашого дилера Black & Decker (№ за каталогом A6102-XJ).

## Технічне обслуговування

Ваш пристрій виробництва компанії Black & Decker призначений для роботи протягом довгого часу з мінімальним обслуговуванням. Постійна задовільна робота залежить від правильного догляду за інструментом та регулярного очищення.

**Попередження!** Перед виконанням будь-якого технічного обслуговування інструменту зі шнуром живлення або без нього:

- ◆ Вимкніть інструмент та відключіть його від мережі живлення.
- ◆ Або вимкніть інструмент та витягніть акумулятор з нього, якщо ваш пристрій має окремий акумуляторний блок.
- ◆ Або повністю розрядіть акумулятор, якщо пристрій має вбудований акумулятор, а потім вимкніть інструмент.
- ◆ Витягніть зарядний пристрій з розетки перед очищенням. Ваш зарядний пристрій не вимагає технічного обслуговування, лише необхідно проводити регулярну очищення.
- ◆ Регулярно очищуйте вентиляційні отвори пристрою/інструменту/зарядного пристрою за допомогою м'якої щітки або сухої ганчірки.
- ◆ Регулярно очищуйте корпус мотору, використовуючи вологу ганчірку. Не використовуйте абразивні очищувачі та засоби, що містять розчинники.
- ◆ Після використання ретельно почистіть леза. Після чищення нанесіть тонкий шар світлого мастила для попередження іржавіння лез.

## Заміна шнура живлення (тільки для Великобританії та Ірландії)

Якщо треба прилаштувати новий шнур живлення:

- ◆ Зніміть стару вилку та утилізуйте її, дотримуючись правил техніки безпеки.
- ◆ Приєднайте коричневий провідник до активного виходу нової вилки.
- ◆ Приєднайте блакитний провідник до нейтрального виходу.

**Попередження!** Жоден провідник не повинен бути підключений до клеми заземлення. Дотримуйтеся інструкцій щодо налаштування, що поставляються з якісними вилками. Плавкий запобіжник, що рекомендується: 5 А.

## Захист навколишнього середовища



Окреме збирання. Цей продукт не можна викидати разом зі звичайним побутовим сміттям.

Якщо якимось ви вирішите, що ваш виріб фірми Black & Decker має бути замінено, або він Вам більше не потрібний, не викидайте його на смітник побутового сміття. Зробіть цей виріб доступним для спеціального збирання.



Окремий збір використаних виробів та упаковки дозволяє повторно переробляти та використовувати матеріали. Переробка повторно використаних матеріалів допомагає попередити забруднення навколишнього середовища та зменшує потребу в сировині.

Місцеві законодавчі акти можуть передбачати окремий збір електричного обладнання в муніципальних місцях для збору сміття або продавцями під час покупки нового обладнання.

Компанія Black & Decker має можливість для збору та переробки продуктів власного виробництва після закінчення їхнього терміну служби. Щоб скористатися цією послугою, поверніть виріб компанії в офіційний сервісний центр, які збирають відпрацьовані продукти за наш рахунок.

Ви можете знайти місцезнаходження найближчого до Вас сервісного центру, якщо зв'яжетеся з місцевим офісом компанії Black & Decker за адресою, вказаною в цьому керівництві. Крім того, список офіційних

сервісних центрів компанії Black & Decker з усіма подробицями нашого післяпродажного обслуговування та контактною інформацією міститься в Інтернеті за адресою: [www.2helpU.com](http://www.2helpU.com).

### Технічні дані

	GT4245 (тип 1)	GT4550 (тип 1)
Напруга	V <sub>ac</sub> 230	230
Вхідна потужність	Вт 420	450
Хід леза (без навантаження)	мін <sup>-1</sup> 1960	1815
Довжина леза	см 45	50
Зазор між лезом та опорою	мм 16	18
Час зупинки лез	с <1	<1
Вага	кг 2,1	2,4

### Рівень звукового тиску згідно з EN 60745:

Звуковий тиск (L<sub>ра</sub>) 73 дБ(А), похибка (К) 3 дБ(А), звукова потужність (L<sub>ва</sub>) 93 дБ(А), похибка звукової потужності (К) 3 дБ(А)

### Загальні значення вібрації (векторна сума трьох векторів) згідно з EN 60745:

Значення вібрації (a<sub>h,р</sub>) 2,3 м/с<sup>2</sup>, похибка (К) 1,5 м/с<sup>2</sup>

## Заява про відповідність ЄС

ДИРЕКТИВА ДЛЯ МЕХАНІЧНОГО  
ОБЛАДНАННЯ  
ДИРЕКТИВА ПРО ШУМИ, ЩО ВИНИКАЮТЬ  
ПОЗА ПРИМІЩЕННЯМИ



GT4245 / GT4550

Компанія Black & Decker заявляє, що продукти, описані в розділі "Технічні дані" відповідають: 2006/42/ЕС, EN 60745-1, EN 60745-2-15.

2000/14/ЕС, секатор, 1960 хв<sup>-1</sup>, Додаток V

Виміряна акустична потужність (L <sub>ра</sub> )	93 дБ(А)
Похибка (К)	3 дБ(А)
Гарантована акустична потужність (L <sub>ра</sub> )	96 дБ(А)
Похибка (К)	3 дБ(А)

Цей виріб також відповідає Директиві 2004/108/ЕС. Для отримання додаткової інформації, будь ласка, зверніться до компанії Black & Decker за наступною адресою або прочитайте інформацію на зворотній стороні цього керівництва.

Нижчепідписаний несе відповідальність за упорядкування файлу технічних характеристик та робить цю заяву від компанії Black & Decker.

Кевін Хьюїт (Kevin Hewitt)  
Віце-президент з глобальних розробок  
Black & Decker Europe, 210 Bath Road, Slough,  
Berkshire, SL1 3YD  
Великобританія  
22.08.2011 р.

**БЛЕК ЕНД ДЕККЕР**

гарантійні умови

Шановний покупцю!

1. Вітаємо Вас з покупкою високоякісного виробу компанії Black & Decker та висловлюємо Вам свою вдячність за Ваш вибір.
- 1.1. Надійна робота цього виробу на протязі всього терміну експлуатації є предметом особливої турботи наших сервісних служб. У випадку виникнення будь-яких проблем в процесі експлуатації виробу ми рекомендуємо Вам звертатися лише до авторизованих сервісних організацій, адреси та телефони яких Ви зможете знайти в Гарантійному талоні або дізнатися в магазині.
- 1.2. Наші сервісні центри – це не тільки кваліфікований ремонт, але и широкий вибір запчастин та аксесуарів.
- 1.3. При купівлі виробу вимагайте перевірки його комплектності та справності за Вашої присутності, наявності інструкції з експлуатації та заповненого Гарантійного талону на українській мові. За умови відсутності у Вас правильно заповненого Гарантійного талону ми будемо вимушені відхилити Ваші претензії щодо якості цього виробу.
- 1.4. Щоб уникнути всіх непорозумінь наполегливо просимо Вас перед початком роботи з виробом уважно ознайомитись з інструкцією щодо його експлуатації.
- 1.5. Звертаємо Вашу увагу на виключно побутове призначення цього виробу.
2. Правовою основою даних гарантійних умов є діюче Законодавство та, зокрема, Закон "Про захист прав споживачів".
3. Гарантійний термін на даний виріб складає 24 місяці та починається з дня продажу через роздрібну торгівлю мережу. У випадку усунення недоліків виробу гарантійний термін подовжується на період, протягом якого виріб не використовувався.
4. Термін служби виробу - 5 років (мінімальний, встановлений у відповідності до Закону "Про захист прав споживачів").
5. Наші гарантійні зобов'язання поширюються тільки на несправності, виявлені протягом гарантійного терміну та обумовлені виробничими та конструктивними факторами.
6. Гарантійні зобов'язання не поширюються:
  - 6.1. На несправності виробу, що виникли в результаті:
    - 6.1.1. Недотримання користувачем вказівок інструкції з експлуатації виробу.
    - 6.1.2. Механічних пошкоджень, викликаних зовнішнім ударним або іншим впливом.
    - 6.1.3. Використання виробу в професійних цілях та об'ємах, в комерційних цілях.
    - 6.1.4. Застосування виробу не за призначенням.
    - 6.1.5. Стихійного лиха.
    - 6.1.6. Неприятливому атмосферному та інших зовнішніх впливах на виріб, таких як дощ,

сніг, підвищена вологість, нагрів, агресивні середовища, невідповідність параметрів електромережі параметрам, вказаним на інструменті.

- 6.1.7. Використання аксесуарів, витратних матеріалів та запчастин, які не рекомендовані або не схвалені виробником.
- 6.1.8. Проникнення всередину інструменту сторонніх предметів, комах, матеріалів або речовин, що не є відходами, які супроводжують використання інструменту за призначенням, наприклад, стружки, опилки та ін.
- 6.2. На інструменти, що були відкриті, піддані ремонту або модифікації поза уповноваженим сервісним центром.
- 6.3. На приналежності, запчастини, що вийшли з ладу внаслідок нормального зносу, та витратні матеріали, такі як, приводні ремені, вугільні щітки, ножі, та ін.
- 6.4. На несправності, які виникли в результаті переважаності інструменту, що призвело до виходу з ладу електродвигуна або інших вузлів та деталей. До безумовних ознак переважаності виробу належать, зокрема: поява кольорів мінливості, деформація або оплавлення деталей та вузлів виробу, потемніння або обвуглювання ізоляції дротів електродвигуна під впливом високої температури.



007

Блек енд Декер ГмБХ,  
Блек енд Декер Штрассе, 40,  
65510 Ідштайн, Німеччина.

**03 червня 1999 р.**

## Kullanım amacı

Black & Decker çit budama ve kesme makinesi ağaç dalları ve çalılıkları budamak için tasarlanmıştır. Bu alet sadece hafif hizmet ve hobi kullanımını içindir.

## Güvenlik talimatları

### Genel elektrikli alet güvenlik uyarıları



**Uyarı!** Bütün güvenlik uyarılarını ve talimatlarını mutlaka okuyun. Aşağıda yer alan uyarılar ve talimatların herhangi birisine uyulmaması elektrik çarpması, yangın ve/veya ciddi yaralanma riskine neden olabilir.

**Bütün uyarı ve güvenlik talimatlarını ilerde bakmak üzere saklayın.** Uyarılarda yer alan «elektrikli alet» terimi şebeke elektriğiyle (kablolu) veya akü/pille (şarjlı) çalışan elektrikli aletinizi ifade etmektedir.

#### 1. Çalışma alanının güvenliği

- Çalışma alanını temiz ve aydınlık tutun.** Karışık veya karanlık alanlar kazaya davetiye çıkarır.
- Elektrikli aletleri, yanıcı sıvılar, gazlar ve tozların bulunduğu yerler gibi yanıcı ortamlarda çalıştırmayın.** Elektrikli aletler, toz veya dumanları ateşleyebilecek kıvılcımlar çıkarır.
- Bir elektrikli aleti çalıştırırken çocuklardan ve etraftaki kişilerden uzak tutun.** Dikkatinizi dağıtıcı şeyler kontrolü kaybetmenize neden olabilir.

#### 2. Elektrik güvenliği

- Elektrikli aletlerin fişleri prizlere uygun olmalıdır. Fiş üzerinde kesinlikle hiçbir değişiklik yapmayın. Topraklı elektrikli aletlerde hiçbir adaptör fişi kullanmayın.** Değiştirilmemiş fişler ve uygun prizler elektrik çarpması riskini azaltacaktır.
- Borular, radyatörler, ocaklar ve buzdolapları gibi topraklanmamış yüzeylerle vücut temasından kaçının.** Vücudunuzun topraklanması halinde yüksek bir elektrik çarpması riski vardır.
- Elektrikli aletleri yağmura maruz bırakmayın veya ıslatmayın.** Elektrikli alete su girmesi elektrik çarpması riskini arttıracaktır.
- Elektrik kablosunu uygun olmayan amaçlarla kullanmayın. Elektrikli aleti kesinlikle kablosundan tutarak taşımayın, çekmeyin veya prizden çıkartmayın.**

**Kabloyu sıcaaktan, yağdan, keskin kenarlardan veya hareketli parçalardan uzak tutun.** Hasarlı veya dolaşmış kablolar elektrik çarpması riskini artırır.

- Elektrikli bir aleti açık havada çalıştırıyorsanız, açık havada kullanıma uygun bir uzatma kablosu kullanın.** Açık havada kullanıma uygun bir kablolu kullanılması elektrik çarpması riskini azaltır.
  - Eğer bir elektrikli aletin nemli bir bölgede çalıştırılması zorluyorsa, bir artık akım aygıtı (RCD) korumalı bir kaynak kullanın.** Bir RCD kullanılması elektrik şoku riskini azaltır.
- Kişisel güvenlik**
    - Elektrikli bir aleti kullanırken her zaman dikkatli olun, yaptığınız işe yoğunlaşın ve sağduyulu davranın. Elektrikli bir aleti yorgunken veya ilaç ya da alkolün etkisi altındayken kullanmayın.** Elektrikli aletleri kullanırken bir anlık dikkatsizlik ciddi kişisel yaralanmayla sonuçlanabilir.
    - Kişisel koruyucu ekipmanları mutlaka kullanın. Daima koruyucu gözlük takın.** Koşullara uygun toz maskesi, kaymayan güvenli ayakkabıları, baret veya kulaklık gibi koruyucu donanımların kullanılması kişisel yaralanmaları azaltacaktır.
    - İstem dışı çalıştırılmasını önleyin. Aleti güç kaynağına ve/veya aküye bağlamadan, yerden kaldırmadan veya taşımadan önce düğmenin kapalı konumda olduğundan emin olun.** Aleti, parmağınız düğme üzerinde bulunacak şekilde taşımak veya açık konumdaki elektrikli aletleri elektrik şebekesine bağlamak kazaya davetiye çıkarır.
    - Elektrikli aleti açmadan önce tüm ayarlama anahtarlarını çıkartın.** Elektrikli aletin hareketli bir parçasına takılı kalmış bir anahtar kişisel yaralanmaya neden olabilir.
    - Ulaşmakta zorlandığınız yerlerde kullanmayın. Daima sağlam ve dengeli basın.** Bu, beklenmedik durumlarda elektrikli aletin daha iyi kontrol edilmesine olanak tanır.
    - Uygun şekilde giyinin. Bol elbiseler giymeyin ve takı takmayın. Saçınızı, elbiselerinizi ve eldivenlerinizi hareketli parçalardan uzak tutun.** Bol elbiseler ve takılar veya uzun saç hareketli parçalara takılabilir.
    - Eğer kullandığınız üründe toz emme ve toplama özellikleri olan ataşmanlar varsa bunların bağlı olduğundan ve doğru**



şekilde kullanıldığından emin olun. Bu toz toplama ataşmanların kullanılması tozla ilgili tehlikeleri azaltabilir.

4. **Elektrikli aletlerin kullanımı ve bakımı**
  - a. **Elektrikli aleti zorlamayın. Uygulamanız için doğru elektrikli aleti kullanın.** Doğru elektrikli alet, belirlendiği kapasite ayarında kullanıldığında daha iyi ve güvenli çalışacaktır.
  - b. **Düğme açmıyor ve kapatmıyorsa elektrikli aleti kullanmayın.** Düğmeyle kontrol edilemeyen tüm elektrikli aletler tehlikelidir ve tamir edilmesi gerekmektedir.
  - c. **Herhangi bir ayarlama, aksesuar değişimi veya elektrikli aletlerin saklanması öncesinde fişi güç kaynağından çekin ve/veya aküyü elektrikli aletten ayırın.** Bu tür önleyici güvenlik tedbirleri aletin istem dışı olarak çalıştırılması riskini azaltacaktır.
  - d. **Elektrikli aleti, çocukların ulaşamayacağı yerlerde saklayın ve elektrikli aleti tanımayan veya bu talimatları bilmeyen kişilerin elektrikli aleti kullanmasına izin vermeyin.** Elektrikli aletler, eğitimsiz kullanıcıların elinde tehlikelidir.
  - e. **Elektrikli aletleri iyi durumda muhafaza edin. Hareketli parçalardaki hizalama hatalarını ve tutuklukları, parçalardaki kırılmalar ve elektrikli aletin çalışmasını etkileyebilecek tüm diğer koşulları kontrol edin. Hasarlı ise, elektrikli aleti kullanmadan önce tamir ettirin.** Kazaların çoğu, elektrikli aletlerin bakımının yeterli şekilde yapılmamasından kaynaklanır.
  - f. **Kesim aletlerini keskin ve temiz tutun.** Bakımı uygun şekilde yapılmış keskin kesim uçlu kesim aletlerinin sıkışma ihtimali daha düşüktür ve kontrol edilmesi daha kolaydır.
  - g. **Elektrikli aleti, aksesuarlarını ve aletin diğer parçalarını kullanırken bu talimatlara mutlaka uyun ve çalışma ortamının koşullarını ve yapılacak işin ne olduğunu göz önünde bulundurun.** Elektrikli aletin öngörülen işlemler dışındaki işlemler için kullanılması tehlikeli durumlara neden olabilir.
5. **Servis**
  - a. **Elektrikli aletinizi, sadece orijinal yedek parçaların kullanıldığı yetkili servise tamir ettirin.** Bu, elektrikli aletin güvenliğinin muhafaza edilmesini sağlayacaktır.

## Elektrikli el aletleri için ek güvenlik talimatları



**Uyarı!** Çit budama ve kesme makineleri için ek güvenlik talimatları

- ♦ **Vücudun tüm parçalarını kesici bıçaktan uzakta tutun. Bıçak hareket ederken kesilmiş malzemeyi çıkartmayın veya kesilecek malzemeyi tutmayın. Sıkışmış malzemeyi çıkartmak için aletin kapalı olduğundan emin olun.** Elektrikli aletleri kullanırken bir anlık dikkatsizlik ciddi kişisel yaralanmayla sonuçlanabilir.
- ♦ **Aleti tutma kolundan ve bıçak durmuş olduğunda taşıyın. Taşırken veya saklarken sürekli bıçak kılıfını takın.** Çit budama ve kesme makinesinin uygun kullanımı bıçaklardan doğabilecek yaralanmayı azaltacaktır.
- ♦ **Kesme bıçakları gizli kabloları veya aletin kendi kablosuna temas edebileceği için aleti sadece yalıtımlı kavrama yüzeylerinden tutun.** Kesme bıçaklarının «akım taşıyan» bir kabloya temas etmesi durumunda elektrikli aletin metal kısımları da «akım taşıyıcı» hale gelecek ve kullanıcının elektrik çarpmasına neden olabilir.
- ♦ **Kabloyu kesme alanından uzakta tutun.** Çalışırken kablo çalılıklar arasında görülmeyebilir ve kazayla bıçak tarafından kesilebilir.
- ♦ Kullanım amacı bu kullanım kılavuzunda açıklanmıştır. Herhangi bir aksesuarın veya bağlantının ya da işlemin, bu kılavuzda tavsiye edilen şekilden başka bir şekilde kullanılması şahısların yaralanmalarına ve/veya mal kaybına yol açabilir.
- ♦ Eğer daha önce çit budama makinesi kullanmadıysanız, bu kullanma kılavuzunu incelemeye ek olarak, tercihen deneyimli bir kullanıcından pratik eğitim alın.
- ♦ Alet çalışırken hiçbir zaman bıçağa dokunmayın.
- ♦ Alet çalışırken asla bıçaklara dokunmayın.
- ♦ Bıçakları tamamen durmadan aleti asla yere koymayın.
- ♦ Hasar veya aşınma olup olmadığını anlamak için bıçakları düzenli olarak kontrol edin. Bıçaklar hasarlı veya kusurlu ise aleti kullanmayın.
- ♦ Budama sırasında aletin sert nesnelere (örn. metal tel, parmaklık) temasını önleyin. Bu gibi bir nesneye kazara temas halinde, derhal aleti kapatın ve hasar olup olmadığını kontrol edin.

- ◆ Aletin anormal şekilde titremeye başlaması halinde, derhal kapatın, kabloyu fişten çekin ve hasar olup olmadığını kontrol edin.
- ◆ Alet tutukluk yaparsa derhal kapatın. Bıçağı tıkayan nesnelere çıkartmadan önce aletin kablosunu prizden çekin.
- ◆ Kullandıktan sonra, aletle birlikte gelen bıçak kılıfını bıçakların üzerine yerleştirin. Aleti bıçak açıkta kalmayacak şekilde saklayın.
- ◆ Aleti kullanırken tüm siperliklerin takılı olduğundan daima emin olun. Aleti bütün olmayan veya yetkisiz değişimler yapılmış şekilde asla kullanmayın.
- ◆ Çocukların aleti kullanmasına kesinlikle izin vermeyin.
- ◆ Yüksek çitleri keserken düşebilecek döküntülere karşı dikkatli olun.
- ◆ Aleti her zaman eki elinizle ve tutma kollarından tutun.

## Diğer kişilerin güvenliği

- ◆ Bu alet fiziksel ve zihinsel kapasitesinin yanı sıra algılama gücü azalmış olan veya yeterince deneyim ve bilgisi bulunmayan kişiler (çocuklar dahil) tarafından kullanılmak üzere üretilmemiştir. Bu tür kişiler aleti ancak güvenliklerinden sorumlu bir kişi tarafından cihazın kullanımıyla ilgili talimatların verilmesi veya sürekli kontrol altında tutulması durumunda kullanılabilir.
- ◆ Çocuklar, aletle oynamalarını önlemek amacıyla kontrol altında tutulmalıdır.

## Diğer tehlikeler

Aletin kullanımıyla ilgili ekte sunulan güvenlik uyarılarına dahil olmayan ilave kalıcı riskler ortaya çıkabilir. Bu riskler, hatalı, uzun süreli kullanım vb. dolayısıyla ortaya çıkabilir.

Emniyet tedbirlerini düzenleyen yönetmeliğin uygulanmasına ve emniyet sağlayıcı aygıtların kullanılmasına rağmen, başka belirli risklerden kaçınılamaz. Bunlar:

- ◆ Aletin dönen ve hareket eden parçalarına dokunma sonucu ortaya çıkan yaralanmalar.
- ◆ Herhangi bir parçayı, bıçak veya aksesuarı değiştirirken ortaya çıkan yaralanmalar.
- ◆ Aletin uzun süreli kullanılması sonucu ortaya çıkan yaralanmalar. Herhangi bir aleti uzun sürelerle kullanacaksanız düzenli olarak çalışmanıza ara verin.
- ◆ Duyma bozukluğu.
- ◆ Aleti kullanırken ortaya çıkan tozun solunması sonucu ortaya çıkan sağlık sorunları (örnek: aşıpasta, özellikle meşe, kayın ve MDF).

## Titreşim

Teknik veriler ve uygunluk beyanatu içerisinde belirtilen titreşim emisyon değerleri EN60745 tarafından belirlenen standart bir test yöntemine uygun olarak ölçülmektedir ve diğer bir aletle karşılaştırma yaparken kullanılabilir. Beyan edilen titreşim emisyon değeri aynı zamanda maruz kalmanın önceden değerlendirilmesinde de kullanılabilir.

**Uyarı!** Elektrikli aletin mevcut kullanımı sırasındaki titreşim emisyon değeri, aletin kullanım yöntemine bağlı olarak, beyan edilen değere göre farklılık sergileyebilir. Titreşim düzeyi belirlenen seviyenin üzerinde artış gösterebilir.

İşyerinde düzenli olarak elektrikli alet kullanan çalışanları korumak amacıyla 2002/44/EC tarafından getirilen elektrik güvenliği önlemlerini belirlemek üzere titreşime maruz kalmayı değerlendiren, çalışma döngüsü içerisinde örneğin aletin kapalı olduğu ve aktif durumda olmasının yanı sıra boşta çalıştığı zamanlar gibi, bütün zaman dilimleri dahil olmak üzere mevcut kullanım durumu ve aletin kullanım şekli göz önünde bulundurularak değerlendirilmelidir.

## Alet üzerindeki etiketler

Alet üzerinde, aşağıdaki uyarı sembolleri bulunmaktadır:



**Uyarı!** Yaralanma riskini en aza indirmek için kullanıcı kullanımı talimatlarını mutlaka okumalıdır.



Bu aleti kullanırken koruyucu gözlük kullanın.



Aletle çalışırken kulaklık takın.



Kablo hasar görmüş veya kesilmişse, anında prizden çekin.



Aleti yağmura ve yüksek neme maruz bırakmayın.



2000/14/EC Direktifine göre garantili ses basıncı düzeyi.

## Elektrik güvenliği



Bu alet çift yalıtımlıdır. Bu yüzden hiçbir topraklama kablosuna gerek yoktur. Her zaman şebeke geriliminin aletin üretim etiketinde belirlenmiş değerlere uyup uymadığını kontrol edin.

- ◆ Elektrik kablosu hasarlı ise, bir tehlike oluşmasını önlemek için üretici ya da yetkili Black & Decker Servis Merkezi tarafından değiştirilmelidir.
- ◆ Aleti açık mekanda kullanırken, sadece açık mekanda kullanıma uygun uzatma kablosunu kullanın. 30 m'ye kadar uygun bir uzatma kablosu, güç kaybı yaşanmadan kullanılabilir.
- ◆ Elektrik güvenliği, yüksek duyarlılıklı 30mA bir artık akım cihazı (RCD) kullanılarak daha da artırılabilir.

## Özellikler

Bu alet, aşağıdaki özelliklerin bir kısmını veya tümünü içermektedir.

1. Açma/kapama düğmesi
2. Ön tutma kolu açma/kapama düğmesi
3. Ön tutma kolu
4. Siperlik
5. Bıçak
6. Kablo tutucu

## Montaj

**Uyarı!** Kurmadan önce, aletin fişten çekilmiş ve bıçak kılıfının bıçak üzerine geçirilmiş olduğundan emin olun.

## Siperliğin takılması (Şekil A ve B)

- ◆ Aletin gövdesinden kısmen takılmış iki vidayı çıkarın.
- ◆ Siperliği (4) alet üzerindeki oluklara yerleştirin.
- ◆ Siperliği, verilmiş olan iki vidayı (7) kullanarak sabitleyin.

**Uyarı!** Aleti, kesinlikle siperliği olmadan kullanmayın.

## Aletin şebeke elektrğine bağlanması (Şekil C)

Alet bir şebeke kablosuna sahip değilse, güç girişine bir uzatma kablosu bağlamanız gerekir.

- ◆ Uygun bir uzatma kablosunun dışı fişini aletin güç girişine takın.
- ◆ Uzatma kablosunun kullanım sırasında çıkmasını önlemek için, kabloyu gösterilen şekilde kablo tutucuya (6) bağlayın.
- ◆ Şebeke fişini bir şebeke prizine takın.

**Uyarı!** Uzatma kablosu açık havada kullanıma uygun olmalıdır. Bir kablo makarası kullanırken, kabloyu daima sonuna kadar açın.

## Kullanımı

**Uyarı!** Aletin kendi hızında çalışmasına izin verin. Aşırı yüklenmeyin.

## Ön tutma kolunun konumunun değiştirilmesi (Şekil D) (Sadece GT4550)

En uygun ve rahat kullanım için ön tutma kolu beş farklı konumda ayarlanabilir.

- ◆ Ön tutma kolunun döndürme düğmesine (8) basın.
- ◆ Ön tutma kolunu (3) istediğiniz konuma döndürün.
- ◆ Ön tutma kolunun döndürme düğmesini (8) bırakın.

**Not:** Çit budama ve kesme makinesi çalışırken ön tutma kolunun konumunu değiştirmek mümkün değildir.

## Açılması ve kapatılması

**Not:** Güvenliğiniz için, alet çift açma/kapama düğmesiyle donatılmıştır. Bu sistem aletin istem dışı çalıştırılmasını önler ve sadece iki elle tutularak çalışılmasına imkan verir.

## Açılması (Şekil E)

- ◆ Ön tutma kolunun (3), üzerindeki açma/kapama düğmesini (2) kolun gövdesine bastırarak şekilde, bir elinizle tutun.
- ◆ Aleti çalıştırmak için diğer elinizle, açma/kapama düğmesine (1) basın.

## Kapatılması

- ◆ Ön tutma kolunun üzerindeki açma/kapama düğmesini (2) veya açma/kapama düğmesini (1) bırakın.

**Uyarı!** Düğmeyi kesinlikle açık konumda kilitlemeye çalışmayın.

## Yararlı tavsiyeler

- ◆ Çiti üst kısmından budamaya başlayın. Aleti, bıçak uçları çitin üzerine bakacak şekilde hafifçe eğin (kesim hattına bağlı olarak 15°'ye kadar) (Şekil F). Bu sayede bıçaklar daha etkili kesecektir. Aleti istenilen açıda tutarak kesim hattı doğrultusunda hareket ettirin. Çift yönlü bıçaklar her iki yönde kesme imkanı verir.
- ◆ Çok düz bir kesim sağlamak için, bir parça ipi çitin uzunluğu boyunca istenilen yüksekliğe gerin. İpi, tam üzerinden keserek kesim kılavuzu olarak kullanın (Şekil G).
- ◆ Düz yanlar elde etmek için, büyüme yönü doğrultusunda yukarıya doğru kesin. Genç dallar, bıçak aşağıya doğru keserken, yüzeysel yamalara yol açacak şekilde dışarı doğru çıkar (Şekil H).
- ◆ Yabancı nesnelere kaçın. Bıçaklara zarar vereceğinden özellikle metal teller ve çitler gibi sert nesnelere temastan kaçın (Şekil I).

- ◆ Bıçakları düzenli aralıklarla yağlayın.

## Budama için talimatlar

- ◆ Her sene yapraklarını kaybeden çalılıklar Haziran ve Ekim ayında budanmalıdır.
- ◆ Tüm yıl boyunca yeşil kalan çalılıklar Nisan ve Ağustos ayında budanmalıdır.
- ◆ Kozalaklı ağaçlar ve diğer hızlı büyüyen çalılıklar Mayıs ayından itibaren ve Ekim ayına kadar her altı haftada bir budanmalıdır.

## Aksesuarlar

Aletinizin performansı kullanılan aksesuara bağlıdır. Black & Decker ve Piranha aksesuarları, yüksek kalite standartlarına göre üretilmiş ve aletinizin performansını arttıracak şekilde tasarlanmıştır. Bu aksesuarları kullanarak, aletinizden en iyi verimi alacaksınız. Bıçak yağı Black & Decker satış noktalarından veya yetkili servislerden temin edilebilir (kat. No. A6102-XJ).

## Bakım

Black & Decker elektrikli/şarjlı aletinizin minimum bakımla uzun bir süre çalışacak şekilde tasarlanmıştır. Kesintisiz olarak memnuniyet verici bir şekilde çalışması gerekli öznenin gösterilmesine ve düzenli temizliğe bağlıdır.

**Uyarı!** Elektrikli/şarjlı alet üzerinde herhangi bir bakım işlemi gerçekleştirmeden önce:

- ◆ Aleti kapatın ve fişten çekin.
- ◆ Veya aletin çıkartılabilir aküsü varsa; aleti kapatın ve aküyü aletten çıkartın.
- ◆ Veya aletin dahili aküsü varsa, bitene kadar çalıştırın ve sonra kapatın.
- ◆ Şarj cihazını temizlemeden önce fişten çekin. Şarj cihazınız, düzenli temizlik dışında herhangi bir bakım gerektirmemektedir.
- ◆ Aletinizdeki ve şarj cihazındaki havalandırma deliklerini yumuşak bir fırça veya kuru bir bezle düzenli olarak temizleyin.
- ◆ Motor muhafazasını düzenli olarak nemli bir bezle silin. Aşındırıcı veya çözücü bazlı temizleyiciler kullanmayın.
- ◆ Kullanım sonrasında, bıçakları özenle temizleyin. Temizliğin ardından, paslanmalarını önlemek için bıçaklara film veya hafif makine yağı uygulayın.

## Çevrenin korunması



Ayrı olarak atın. Bu ürün, normal evsel atıklarla birlikte atılmamalıdır.

Black & Decker ürününüzün değiştirilmesi gerektiğini düşünmeniz veya artık kullanılamaz durumda olması halinde onu, evsel atıklarla birlikte atmayın. Bu ürünü, ayrı olarak toplanacak şekilde atın.



Kullanılmış ürünlerin ve ambalajların ayrı olarak toplanması bu maddelerin geri dönüşüme sokularak yeniden kullanılmasına olanak tanır. Geri dönüşümlü maddelerin tekrar kullanılmasına çevre kirliliğinin önlenmesine yardımcı olur ve ham madde ihtiyacını azaltır.

Yerel yönetmelikler, elektrikli ürünlerin evlerden toplanıp belediye atık tesislerine aktarılması veya yeni bir ürün satın alırken perakende satıcı tarafından toplanması yönünde hükümler içerebilir.

Black & Decker, hizmet ömrünün sonuna ulaşan Black & Decker ürünlerinin toplanması ve geri dönüşüme sokulması için bir imkân sunmaktadır. Bu hizmetin avantajlarından faydalanmak için, lütfen, ürününüzü bizim adımıza teslim edecek herhangi bir yetkili servise iade edin.

Bu kılavuzda belirtilen listeden size en yakın yetkili tamir servisinin yerini öğrenebilirsiniz. Ya da, alternatif olarak internet'ten Black & Decker yetkili tamir servislerinin listesini ve satış sonrası hizmetlerimizle ilgili tüm bilgiler ve temas bilgilerine aşağıdaki siteden ulaşabilirsiniz.

[www.2helpU.com](http://www.2helpU.com)

## Teknik özellikleri

	GT4245 (Tip 1)	GT4550 (Tip 1)
Voltaj	V <sub>ac</sub> 230	230
Giriş gücü	W 420	450
Bıçak darbe hızı (yüksüz) darbe/dak	1960	1815
Bıçak uzunluğu	cm 45	50
Bıçak diş aralıkları	mm 16	18
Bıçak fren süresi	s <1	<1
Ağırlık	kg 2,1	2,4

## EN 60745'e göre ses basıncı düzeyi:

Ses basıncı (L<sub>pA</sub>) 73 dB(A), belirsizlik (K) 3 dB(A),

Akustik güç (L<sub>WA</sub>) 93 dB(A), belirsizlik (K) 3 dB(A)

**EN 60745'e göre tespit edilen toplam titreşim değerleri  
(üç yönün vektör toplamı):**

Titreşim emisyon değeri ( $a_{h,p}$ ) 2,3 m/s<sup>2</sup>, belirsizlik (K) 1,5 m/s<sup>2</sup>

**AT Uygunluk Beyanatı**  
MAKİNE DİREKTİFİ  
DIŞ MEKAN GÜRÜLTÜ DİREKTİFİ



**GT4245 / GT4550**

Black & Decker, «teknik özellikleri» bölümünde açıklanan bu ürünlerin aşağıda belirtilen yönergelere uygun olduğunu beyan eder:  
2006/42/EC, EN 60745-1, EN 60745-2-15.

2000/14/EC, Çit budama ve kesme makinesi,  
1960 darbe/dak., Ek V

Akustik güç ( $L_{pA}$ )	93 dB(A)
Belirsizlik (K)	3 dB(A)
Garantili akustik güç ( $L_{pA}$ )	96 dB(A)
Belirsizlik (K)	3 dB(A)

Bu ürünler ayrıca 2004/108/EC Direktifine de uygundur. Daha fazla bilgi için, lütfen aşağıdaki adresten Black & Decker ile irtibata geçin veya kılavuzun arkasına bakın.

Bu belge altında imzası bulunan yetkili, teknik dosyanın derlenmesinden sorumludur ve bu beyanı Black & Decker adına vermiştir.

Kevin Hewitt  
Başkan Yardımcısı, Global Mühendislik  
Black & Decker Europe, 210 Bath Road, Slough,  
Berkshire, SL1 3YD  
İngiltere  
22/08/2011

## Garanti

Black & Decker, ürünün kalitesinden emindir ve bu yüzden kanunlarda belirtilen taleplerin üstünde bir garanti verir. Ayrıca bu garanti hiçbir şekilde garanti ile ilgili kanuni haklarınızı ihlal etmez ve haklarınızı hiç bir şekilde kısıtlamaz. İşbu garanti Avrupa Birliği'ne üye ülkeler ile Avrupa Serbest Ticaret Bölgesi sınırları dahilinde geçerlidir.

Eğer bir Black & Decker ürünü, satın alma tarihinden itibaren 24 ay içinde hatalı malzeme, işçilik ya da uygunsuzluk nedeniyle bozulursa, müşteriye mümkün olabilecek en az sorunu yaşatarak Black & Decker hatalı kısımları

değiştirmeyi, adil bir şekilde aşınmış ve yıpranmış ürünleri tamir etmeyi veya değiştirmeyi garanti eder. Ancak bu belirtilenler şu durumlar dışında geçerlidir:

- ◆ Ürün ticari veya profesyonel amaçlarla kullanılmışsa veya kiraya verilmişse;
- ◆ Ürün yanlış veya amaç dışı kullanılmışsa;
- ◆ Ürün yabancı nesnelere, maddelerden veya kaza sırasında zarar görmüşse;
- ◆ Yetkili tamir servisleri veya Black & Decker servis ekibinden başkası tarafından tamir edilmeye çalışılmışsa.

Garanti talebinde bulunmak için, satıcıya veya yetkili tamir servisine satın aldığınıza dair ispat sunmalısınız. Fatura ve garanti kartı gerekmektedir. Bu kılavuzda belirtilen listeden size en yakın yetkili tamir servisinin yerini öğrenebilirsiniz. Ya da, alternatif olarak internet'ten Black & Decker yetkili tamir servislerinin listesini ve satış sonrası hizmetlerimizle ilgili tüm bilgiler ve temas bilgilerine aşağıdaki siteden ulaşabilirsiniz.

**www.2helpU.com**

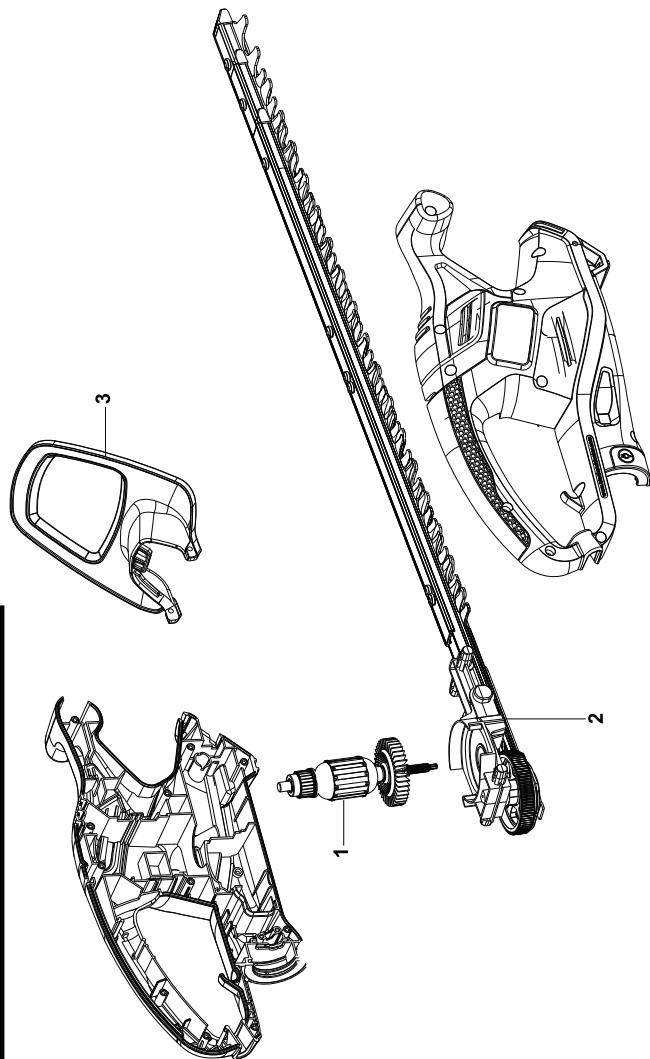
Sanayi ve Ticaret Bakanlığı tebliğince kullanım ömrü 10 yıldır.

## Türkiye Distribütörü

KALE HIRDAVAT VE MAKİNA A.Ş.  
Deftardar Mah. Savaklar Cad. No. 15  
34050 Edirnekapı Eyüp İstanbul

No.	İl	Yetkili Servis	Adres	Telefon
1	Adana	<b>Emin Elektrik Bobinaj</b>	Kızılay Cad. 9. Sok. No: 9/D	0322 351 80 46
2	Afyon	<b>Emek Motor</b>	Karaman Mah. Gazlı Göl Cad. No: 15	0272 212 11 14
3	Ağrı	<b>Tamgüç Bobinaj</b>	Kağızman Cad. No: 42	0472 215 70 41
4	Ankara	<b>Orhan Bobinaj</b>	Yalınç Sok. No: 17 Siteleer	0312 385 92 92
5	Ankara	<b>Yiğit Bobinaj</b>	668. Sok. No: 8 Eminel Koop. İvedik / Ostim	0312 395 05 37
6	Antalya	<b>E.B.A. Elektrik</b>	San. Sit. 682. Sok. No: 38	0242 345 36 22
7	Aydın	<b>Saydam Motor Yedek Parça</b>	Küçük San. Sit. Çubukçu Sok. No: 2/B Söke Aydın	0256 512 81 91
8	Bursa	<b>Vokart</b>	Gazlılar Cad. Erikli Bahçe Sok. No: 7/B	0224 254 48 75
9	Bursa	<b>Vokart</b>	Beşevler Küçük San. Sit. 47. Sok. Parkoop No: 67 Nilüfer	0224 441 57 00
10	Çanakkale	<b>Kısacık Bobinaj</b>	Namık Kemal Mah. Kaynak Sok. No: 41	0286 217 96 71
11	Çanakkale	<b>Ovalı Bobinaj</b>	Hamdibey Mah. İstiklal Cad. No: 160	0286 316 49 66
12	Çorum	<b>Emek Bobinaj</b>	Küçük San. Sit. 23. Cad. No: 5/C Cami Yanı	0364 234 68 84
13	Diyarbakır	<b>Çetsan Elektrik</b>	San. Sit. Karakol Sok. No: 1	0412 223 72 77
14	Elazığ	<b>Kalender Elektrik Bobinaj</b>	San. Sit. 11. Sok. No: 46	0424 224 85 01
15	Erzurum	<b>Bursan Bobinaj</b>	San. Sit. 5. Blok No: 135	0442 242 77 28
16	Eskişehir	<b>Escom Elektronik</b>	Kırmızı Toprak Mah. Ali Fuat Güven Cad. No: 31/A	0222 224 15 30
17	Isparta	<b>İzmir Bobinaj</b>	Yeni San. Sit. 6. Blok No: 28	0246 223 70 11
18	Mersin	<b>Şekerler Elektrik Bobinaj</b>	Nusratiye Mah. 5005 Sok. No: 20/A	0324 336 70 98
19	Mersin	<b>Üniversal Bobinaj</b>	Nusratiye Mah. Çiftçiler Cad. 68 Sok. No:19	0324 233 44 29
20	İstanbul	<b>Akel</b>	Nato Yolu Cad. Özgün Sok. No: 1 Y. Dudullu	0216 540 53 55
21	İstanbul	<b>Fırat Dış Ticaret</b>	Tersane Cad. Kuthan No: 38 Kat: 3 Karaköy	0212 252 93 43
22	İstanbul	<b>Kardeşler Bobinaj Elektrik</b>	Çağlayan Mah. Sinanpaşa Cad. No: 5 Çağlayan	0212 224 97 54
23	İstanbul	<b>Mert Elektrik</b>	İkitelli Org. Demirciler San. Sit. D-2BL. No: 280 İkitelli	0212 549 65 78
24	İstanbul	<b>SVS Teknik</b>	Evluya Çelebi Mah. İstasyon Cad. Gibtaş San. Sit. F Blok No: 24 Tuzla	0216 446 69 39
25	İstanbul	<b>Orijinal Elektrik</b>	Bağlar Mah. Mimar Sinan Cad. No: 24 Güneşli – Bağcılar	0212 515 67 71
26	İstanbul	<b>Tarık Makina</b>	Bağdat Cad. Adalı Sk. No: 8 Maltepe	0216 370 21 11
27	İzmir	<b>Doruk Hırdavat</b>	1426 Sok. No: 14 Hurdacılar Sit. Doğanlar/Bornova	0232 478 14 12
28	İzmir	<b>Boro Civata</b>	1203/2. Sok. No: 21/B Gıda Çarşısı Yenişehir	0232 469 80 70
29	İzmir	<b>Çetin Bobinaj</b>	Cüneyt Bey Mah. İbrahim Turan Cad. No: 98/A Menderes	0232 782 10 84
30	İzmir	<b>Doruk Hırdavat</b>	1426 Sok. No: 14 Hurdacılar Sit. Doğanlar/Bornova	0232 478 14 12
31	Kastamonu	<b>Mert Bobinaj</b>	San. Çarşısı 4. Blok No: 35	0366 212 38 89
32	Kayseri	<b>Akın Elektrik Bobinaj</b>	Eski San. Böl. 5. Cad. No: 8	0352 336 41 23
33	Kocaeli	<b>Gülsoy Bobinaj Makina</b>	S.Orhan Mah. İlyasbey Cad. 1111 Sok. No: 5/1 Gebze	0262 646 92 49
34	Gebze	<b>Teknik Karot</b>	Gaziler Mah. İbrahimaga Cad. No: 125	0262 642 79 10
35	Malatya	<b>Özer Bobinaj</b>	Yeni San. Sit. 2. Cad. No: 95	0422 336 39 53
36	Muğla	<b>Bodrum Makina</b>	Türkkuyusu Mah. San. Sit. Ethem Demiröz Sok. No: 8	0252 316 28 51
37	Muğla	<b>General Elektrik Bobinaj</b>	Taşyaka Mah. San. Sit. 260. Sok. No: 18 Fethiye	0252 612 38 34
38	Muğla	<b>Öztürk Bobinaj İnşaat</b>	Atakent Mah. Çevreyolu Üzeri	0252 697 64 98
39	Nevşehir	<b>Çiftgüç</b>	Yeni San. Sit. 8 Blok No: 28	0384 213 19 96
40	Niğde	<b>Emek Motor</b>	Eski San. Çarşısı 1. BL. No: 2 Niğde	0388 232 83 59
41	Adapazarı	<b>Engin Elektrik Bobinaj</b>	Maltepe Mah. Orhan Gazi Cad. (Tek Yokuşu) Şehit Metin Akkuş Sok. No: 19	0264 291 05 67
42	Sivas	<b>Bayraktar Elektrik</b>	Yeni Çarşı No: 72 C	0346 221 47 55
43	Tekirdağ	<b>Birkan</b>	Şeyh Sinan Mah. Ş. Pilot İhsan Aksoy Sok. Aksoy Pasajı No: 20/7-B	0282 654 50 91
44	Tokat	<b>Çetin Elektrik Bobinaj</b>	San. Sit. Cami Altı No: 22	0356 214 63 07
45	Uşak	<b>Zengin Bobinaj</b>	İslice Mah. Ürem Sok. No: 10/C	0276 227 27 46
46	Van	<b>Özen Elektrik Bobinaj</b>	Alçekiç Pasajı No: 41	0432 214 22 20
47	Zonguldak	<b>Genel Elektromotor</b>	Çınarstepe Mah. T.T.K 69 Ambarları 4. Kısım	0372 268 08 64
48	Zonguldak	<b>Tümen Bobinaj</b>	Kışla San. Sit. D Blok No: 17 Kdz. Ereğli	0372 323 74 97
49	Yalova	<b>Kale İnşaat</b>	Hürriyet Mah. Eski Bursa Cad. No: 39 Altınova	0226 461 22 43
50	Düzce	<b>Yıldız Makina</b>	Burhaniye Mah. Gen. Kazım Sok. No: 10	0380 514 70 56

Partial support - Only parts shown available  
Nur die aufgeführten Teile sind lieferbar  
Reparation partielle - Seules les pieces indiquees sont disponibles  
Supporto parziale - Sono disponibili soltanto le parti evidenziate  
Solo estan disponibles las peizas listadas  
So se encontram disponibles as pecas listadas  
Gedeeltelijke ondersteuning - alleen de getoonde onderdelen  
zijn beschikbaar



Partial support - Only parts shown available  
Nur die aufgeführten Teile sind lieferbar  
Reparation partielle - Seules les pieces indiquees sont disponibles  
Supporto parziale - Sono disponibili soltanto le parti evidenziate  
Solo estan disponibles las peizas listadas  
So se encontram disponibles as pecas listadas  
Gedeeltelijke ondersteuning - alleen de getoonde onderdelen  
zijn beschikbaar

