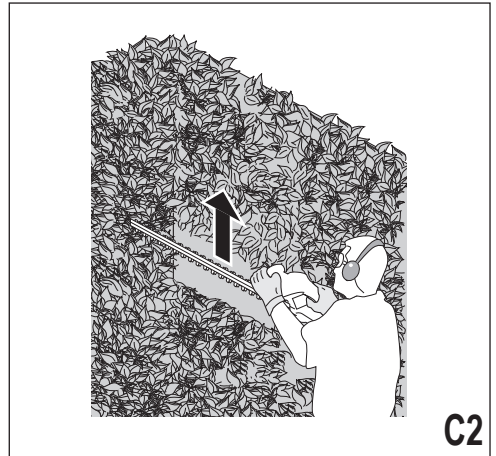
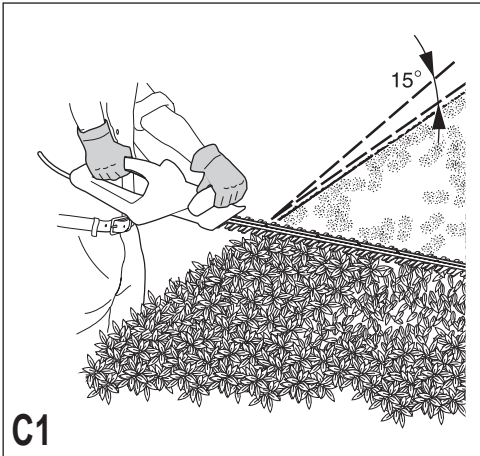
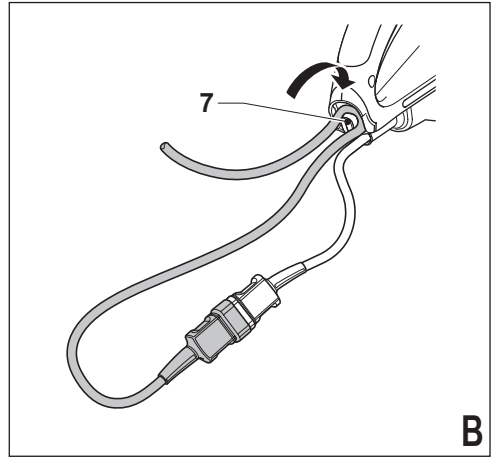
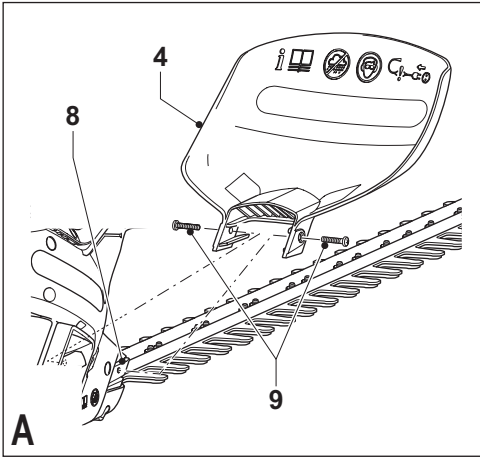


English	3
Deutsch	7
Français	12
Italiano	17
Nederlands	22
Español	27
Português	32
Svenska	37
Norsk	41
Dansk	45
Suomi	50
Ελληνικά	54



## Intended use

Your Black & Decker hedgetrimmer has been designed for trimming hedges, shrubs and brambles. This tool is intended for consumer use only.

## Safety instructions

- ◆ **Warning!** When using mains-powered tools, basic safety precautions, including the following, should always be followed to reduce the risk of fire, electric shock, personal injury and material damage.
- ◆ Read all of this manual carefully before operating the tool.
- ◆ Retain this manual for future reference.
- ◆ Remove the plug from the socket before carrying out any adjustment, servicing or maintenance.

### Keep work area clean

Cluttered areas and benches can cause accidents.

### Consider work area environment

Do not expose the tool to rain. Do not use the tool in damp or wet conditions. Keep the work area well lit. Do not use the tool where there is a risk of causing fire or explosion, e.g. in the presence of flammable liquids and gases.

### Keep children away

Do not allow children, visitors or animals to come near the work area or to touch the tool or mains cable.

### Dress properly

Do not wear loose clothing or jewellery, as these can be caught in moving parts. Preferably wear rubber gloves and non-slip footwear when working outdoors. Wear protective hair covering to keep long hair out of the way.

### Personal protection

Always use safety glasses. Use a face or dust mask whenever the operations may produce dust or flying particles. Hearing protection should be worn.

### Guard against electric shock

Prevent body contact with earthed or grounded surfaces (e.g. pipes, radiators, cookers and refrigerators). Electric safety can be further improved by using a high-sensitivity (30 mA / 30 mS) residual current device (RCD).

### Do not overreach

Keep proper footing and balance at all times.

### Stay alert

Watch what you are doing. Use common sense. Do not operate the tool when you are tired.

### Secure workpiece

Use clamps or a vice to hold the workpiece. It is safer and it frees both hands to operate the tool.

### Connect dust extraction equipment

If devices are provided for the connection of dust extraction and collection facilities, ensure that these are connected and properly used.

## Remove adjusting keys and wrenches

Always check that adjusting keys and wrenches are removed from the tool before operating the tool.

### Extension cables

Before use, inspect the extension cable and replace if damaged. When using the tool outdoors, only use extension cables intended for outdoor use. Up to 30 m of Black & Decker extension cable can be used without loss of power.

### Use appropriate tool

The intended use is described in this instruction manual. Do not force small tools or attachments to do the job of a heavy-duty tool. The tool will do the job better and safer at the rate for which it was intended. Do not force the tool. Do not use the tool for purposes not intended, for example, do not use a circular saw to cut tree limbs or logs.

**Warning!** The use of any accessory or attachment or performance of any operation with this tool other than those recommended in this instruction manual may present a risk of personal injury.

### Check for damaged parts

Before use, carefully check the tool and mains cable for damage. Check for misalignment and seizure of moving parts, breakage of parts, damage to guards and switches and any other conditions that may affect its operation. Ensure that the tool will operate properly and perform its intended function. Do not use the tool if any part is damaged or defective. Do not use the tool if the switch does not turn it on and off. Have any damaged or defective parts repaired or replaced by an authorised repair agent. Never attempt any repairs yourself.

### Unplug the tool

Unplug the tool when it is not in use, before changing any parts of the tool, accessories or attachments and before servicing.

### Avoid unintentional starting

Do not carry the tool with a finger on the on/off switch. Be sure that the tool is switched off when plugging in.

### Do not abuse cord

Never carry the tool by its cord or pull it to disconnect from the socket. Keep the cord away from heat, oil and sharp edges.

### Store idle tools

When not in use, tools should be stored in a dry, locked up or high place, out of reach of children.

### Maintain tools with care

Keep cutting tools sharp and clean for better and safer performance. Follow the instructions for maintenance and changing accessories. Keep handles and switches dry, clean and free from oil and grease.

### Repairs

This tool complies with relevant safety requirements. Repairs should only be carried out by qualified persons using original spare parts; otherwise this may result in considerable danger to the user.

## Electrical safety



This tool is double insulated; therefore no earth wire is required. Always check that the power supply corresponds to the voltage on the rating plate.

- ◆ This appliance is not intended for use by young or infirm persons without supervision. Children must be supervised to ensure they do not play with the appliance.
- ◆ If the supply cord is damaged, it must be replaced by the manufacturer or an authorised Black & Decker Service Centre in order to avoid a hazard.

## Additional safety instructions for hedgetrimmers



Wear safety glasses or goggles when operating this tool.



Wear gloves when operating this tool.



Wear ear protection when operating this tool.



Immediately disconnect the cable from the mains if it is damaged or cut.



Do not expose the tool to rain or high humidity.

- ◆ Keep the cable away from the blades while using this tool.
- ◆ If you have not used a hedgetrimmer before, preferably seek practical instruction by an experienced user in addition to studying this manual.
- ◆ Never touch the blades while the tool is running.
- ◆ Never attempt to force the blades to come to a standstill.
- ◆ Do not put the tool down until the blades have come to a complete standstill.
- ◆ Regularly check the blades for damage and wear. Do not use the tool when the blades are worn or damaged.
- ◆ Take care to avoid hard objects (e.g. metal wire, railings) when trimming. Should you accidentally hit any such object, immediately switch the tool off and check for any damage.
- ◆ Should the tool start to vibrate abnormally, immediately switch it off and check for any damage.
- ◆ If the tool stalls, immediately switch it off. Unplug the tool before attempting to remove any obstructions.
- ◆ After use, place the blade sheath supplied over the blades. Store the tool, making sure that the blade is not exposed.
- ◆ Always ensure that all guards are fitted when using the tool. Never attempt to use an incomplete tool or a tool with unauthorised modifications.

- ◆ Never allow children to use the tool.
- ◆ Be aware of falling debris when cutting the higher sides of a hedge.

## Features

This tool includes some or all of the following features.

1. Trigger switch
2. Front handle switch
3. Front handle
4. Guard
5. Blade
6. Blade sheath
7. Cable restraint

This hedgetrimmer has the following features for your benefit:

- ◆ Ergonomically formed handles for comfortable cutting.
- ◆ Machined blades for improved cutting.
- ◆ Dual action blades for reduced vibration.

## Assembly

**Warning!** Before assembly, make sure that the tool is switched off and unplugged and that the blade sheath is fitted over the blades.

### Fitting the guard (fig. A)

- ◆ Locate the guard (4) into the grooves (8).
- ◆ Secure the guard using the two screws (9) supplied.

**Warning!** Never use the tool without the guard.

### Connecting the tool to the mains (fig. B)

Unless the tool is fitted with a mains cable, you will need to connect an extension cable to the power inlet.

- ◆ Connect the female socket of a suitable extension cable to the power inlet of the tool.
- ◆ Loop the cable through the cable restraint (7) as shown to prevent the extension cable from becoming detached during use.
- ◆ Insert the mains plug into a mains outlet.

**Warning!** The extension cable must be suitable for outdoor use. When using a cable reel, always unwind the cable completely.

## Use

**Warning!** Let the tool work at its own pace. Do not overload.

- ◆ Carefully guide the cable in order to avoid accidentally cutting it. A good way to control the cable is by putting it over your shoulder.
- ◆ For your safety, this tool is equipped with a double switching system. This system prevents starting the tool inadvertently and will only allow operation while holding the tool with both hands.

## Switching on and off

### Switching on

- ◆ Take hold of the front handle (3) with one hand so that the front handle switch (2) is pushed into the body of the tool.
- ◆ With the other hand, squeeze the trigger switch (1) to start the tool.

### Switching off

- ◆ Release the handle switch (2) or the trigger switch (1).

**Warning!** Never attempt to lock a switch in the on position.

### Hints for optimum use

- ◆ Start by trimming the top of the hedge. Slightly tilt the tool (up to 15° relative to the line of cut) so that the blade tips point slightly towards the hedge (fig. C1). This will cause the blades to cut more effectively. Hold the tool at the desired angle and move it steadily along the line of cut. The double-sided blade allows you to cut in either direction.
- ◆ In order to obtain a very straight cut, stretch a piece of string along the length of the hedge at the desired height. Use the string as a guideline, cutting just above it.
- ◆ In order to obtain flat sides, cut upwards with the growth. Younger stems move outwards when the blade cuts downwards, causing shallow patches in the hedge (fig. C2).
- ◆ Take care to avoid any foreign objects. Especially avoid hard objects such as metal wire and railings, as these could damage the blades.
- ◆ Regularly oil the blades.

### Guidelines for trimming (UK & Ireland)

- ◆ Trim hedges and shrubs with seasonal leaves (new leaves every year) in June and October.
- ◆ Trim evergreens in April and August.
- ◆ Trim conifers and other fast growing shrubs every six weeks from May until October.

### Guidelines for trimming (Australia & New Zealand)

- ◆ Trim hedges and shrubs with seasonal leaves (new leaves every year) in December and March.
- ◆ Trim evergreens in September and February.
- ◆ Trim conifers and other fast growing shrubs every six weeks from October until March.

## Maintenance

Your tool has been designed to operate over a long period of time with a minimum of maintenance. Continuous satisfactory operation depends upon proper tool care and regular cleaning.

**Warning!** Before performing any maintenance, switch off and unplug the tool.

- ◆ After use, carefully clean the blades. After cleaning, apply a film of light machine oil to prevent the blades from rusting.
- ◆ Regularly clean the ventilation slots in your tool using a soft brush or dry cloth.
- ◆ Regularly clean the motor housing using a damp cloth. Do not use any abrasive or solvent-based cleaner.
- ◆ Make sure all switches are free of debris before and after use.

### Removing the guard (fig. A)

**Warning!** Remove the guard for servicing purposes only.

Always re-fit the guard after finishing servicing.

- ◆ Loosen the screws (9) and remove them.
- ◆ Slide the guard (4) off the tool.

### Mains plug replacement (U.K. & Ireland only)

If a new mains plug needs to be fitted:

- ◆ Safely dispose of the old plug.
- ◆ Connect the brown lead to the live terminal in the new plug.
- ◆ Connect the blue lead to the neutral terminal.

**Warning!** No connection is to be made to the earth terminal. Follow the fitting instructions supplied with good quality plugs. Recommended fuse: 5 A.

## Troubleshooting

If the tool does not operate correctly, check the following.

Fault	Possible cause	Action
Tool will not start.	Blown fuse.	Replace fuse.
	Tripped RCD.	Check RCD.
	Mains lead not connected.	Check mains supply.

## Protecting the environment



Separate collection. This product must not be disposed of with normal household waste.

Should you find one day that your Black & Decker product needs replacement, or if it is of no further use to you, do not dispose of it with household waste. Make this product available for separate collection.



Separate collection of used products and packaging allows materials to be recycled and used again. Re-use of recycled materials helps prevent environmental pollution and reduces the demand for raw materials.

Local regulations may provide for separate collection of electrical products from the household, at municipal waste sites or by the retailer when you purchase a new product.

Black & Decker provides a facility for the collection and recycling of Black & Decker products once they have reached the end of their working life. To take advantage of this service please return your product to any authorised repair agent who will collect them on our behalf.

You can check the location of your nearest authorised repair agent by contacting your local Black & Decker office at the address indicated in this manual. Alternatively, a list of authorised Black & Decker repair agents and full details of our after-sales service and contacts are available on the Internet at: [www.2helpU.com](http://www.2helpU.com)

## Technical data

		GT450	GT480	GT501
Input voltage	V <sub>AC</sub>	230	230	230
Power input	W	450	450	500
Blade strokes (no load)	min <sup>-1</sup>	1,700	1,700	1,700
Blade length	cm	42	51	51
Blade gap	mm	20	20	20
Blade brake time	s	< 1.0	< 1.0	< 1.0
Weight (excl. supply cord)	kg	2.9	3.0	3.0

		GT502	GT510	T515
Input voltage	V <sub>AC</sub>	230	230	230
Power input	W	520	500	550
Blade strokes (no load)	min <sup>-1</sup>	1,700	1,700	1,700
Blade length	cm	55	55	55
Blade gap	mm	20	20	20
Blade brake time	s	< 1.0	< 1.0	< 1.0
Weight (excl. supply cord)	kg	3.1	3.1	3.1

		GT516	GT517
Input voltage	V <sub>AC</sub>	230	230
Power input	W	520	550
Blade strokes (no load)	min <sup>-1</sup>	1,700	1,700
Blade length	cm	61	61
Blade gap	mm	20	20
Blade brake time	s	< 1.0	< 1.0
Weight (excl. supply cord)	kg	3.2	3.2

## EC declaration of conformity

GT450/GT480/GT501/GT502/GT510/GT515/GT516/GT517

Black & Decker declares that these products conform to:  
98/37/EC, 89/336/EEC, EN 50144, EN 55014, EN 61000,  
2000/14/EC, Hedgetrimmer, 500 W, Annex V

Level of sound pressure, measured according to 2000/14/EC:  
L<sub>PA</sub> (sound pressure) 88 dB(A), L<sub>WA</sub> (acoustic power) 101 dB(A),  
L<sub>WA</sub> (guaranteed) 102 dB(A)

Hand/arm weighted vibration value according to EN 50144:  
< 2.5 m/s<sup>2</sup>



Kevin Hewitt

Director of Consumer Engineering  
Spennymoor, County Durham DL16 6JG,  
United Kingdom  
1-10-2007

## Guarantee

Black & Decker is confident of the quality of its products and offers an outstanding guarantee. This guarantee statement is in addition to and in no way prejudices your statutory rights. The guarantee is valid within the territories of the Member States of the European Union and the European Free Trade Area.

If a Black & Decker product becomes defective due to faulty materials, workmanship or lack of conformity, within 24 months from the date of purchase, Black & Decker guarantees to replace defective parts, repair products subjected to fair wear and tear or replace such products to ensure minimum inconvenience to the customer unless:

- ◆ The product has been used for trade, professional or hire purposes;
- ◆ The product has been subjected to misuse or neglect;
- ◆ The product has sustained damage through foreign objects, substances or accidents;
- ◆ Repairs have been attempted by persons other than authorised repair agents or Black & Decker service staff.

To claim on the guarantee, you will need to submit proof of purchase to the seller or an authorised repair agent. You can check the location of your nearest authorised repair agent by contacting your local Black & Decker office at the address indicated in this manual. Alternatively, a list of authorised Black & Decker repair agents and full details of our after-sales service and contacts are available on the Internet at: [www.2helpU.com](http://www.2helpU.com)

Please visit our website [www.blackanddecker.co.uk](http://www.blackanddecker.co.uk) to register your new Black & Decker product and to be kept up to date on new products and special offers. Further information on the Black & Decker brand and our range of products is available at [www.blackanddecker.co.uk](http://www.blackanddecker.co.uk)

## Bestimmungsgemäße Verwendung

Ihre Black & Decker Heckenschere wurde zum Schneiden von Hecken und Sträuchern entwickelt. Dieses Gerät ist nicht für den gewerblichen Einsatz vorgesehen.

## Sicherheitshinweise

- ◆ **Warnung!** Bei der Verwendung elektrischer Geräte sind zum Schutz gegen Feuergefahr, gegen elektrischen Schlag sowie gegen Körper- und Sachschaden grundlegende Sicherheitsmaßnahmen, einschließlich der folgenden Vorschriften, zu beachten.
- ◆ Lesen Sie diese Anleitung gründlich durch, bevor Sie das Gerät verwenden.
- ◆ Bewahren Sie diese Anleitung auf.
- ◆ Ziehen Sie immer den Netzstecker, bevor Sie Einstellungs- oder Wartungsarbeiten durchführen.

### Halten Sie Ihren Arbeitsbereich in Ordnung!

Unordnung im Arbeitsbereich führt zu Unfallgefahren.

### Berücksichtigen Sie Umgebungseinflüsse!

Setzen Sie das Gerät keinem Regen aus. Verwenden Sie das Gerät nicht in einer feuchten oder nassen Umgebung. Sorgen Sie für eine gute Beleuchtung des Arbeitsbereiches. Benutzen Sie das Gerät nicht an Orten, wo Feuergefahr oder Explosionsgefahr besteht, z.B. in der Nähe von brennbaren Flüssigkeiten oder Gasen.

### Halten Sie Kinder fern!

Halten Sie Kinder, Besucher und Tiere dem Arbeitsbereich fern und sorgen Sie dafür, daß sie das Gerät und das Netzkabel nicht berühren.

### Tragen Sie geeignete Arbeitskleidung!

Tragen Sie keine weite Kleidung oder Schmuck, da diese von sich bewegenden Teilen erfaßt werden können. Beim Arbeiten im Freien sind Arbeitshandschuhe und rutschfestes Schuhwerk empfehlenswert. Tragen Sie bei langen Haaren ein Haarnetz.

### Schutzmaßnahmen:

Verwenden Sie immer eine Schutzbrille. Tragen Sie eine Atemschutzmaske, falls die Arbeiten Staub oder Späne erzeugen können. Tragen Sie einen Gehörschutz.

### Schutz vor elektrischem Schlag:

Vermeiden Sie eine Körperberührung mit geerdeten Objekten (z.B. Rohren, Heizkörpern, Herden und Kühlschränken). Die elektrische Sicherheit läßt sich durch Verwendung eines Fehlerstrom-Schutzschalters (30 mA / 30 mS) weiter erhöhen.

### Achten Sie auf einen sicheren Stand!

Achten Sie auf einen sicheren Stand, um in jeder Arbeitsposition das Gleichgewicht zu halten.

### Seien Sie stets aufmerksam!

Konzentrieren Sie sich auf Ihre Arbeit. Gehen Sie vernünftig vor. Verwenden Sie das Gerät nicht, wenn Sie müde sind.

## Sichern Sie das Werkstück!

Benutzen Sie Spannvorrichtungen oder einen Schraubstock, um das Werkstück festzuhalten. Es ist damit sicherer gehalten und ermöglicht die Bedienung des Gerätes mit beiden Händen.

## Schließen Sie Vorrichtungen zur Staubabsaugung an!

Falls Vorrichtungen zur Absaugung oder zum Sammeln von Staub an das Gerät angeschlossen werden können, vergewissern Sie sich, daß diese angeschlossen sind und ordnungsgemäß verwendet werden.

## Lassen Sie keine Schlüssel stecken!

Überprüfen Sie vor dem Einschalten, ob die Schlüssel und Einstellwerkzeuge entfernt sind.

## Verlängerungskabel

Prüfen Sie vor dem Gebrauch das Verlängerungskabel und tauschen Sie es aus, falls es beschädigt ist. Wenn Sie das Gerät im Freien verwenden, verwenden Sie nur Verlängerungskabel, die sich für den Einsatz im Freien eignen. Ein bis zu 30 m langes Black & Decker Verlängerungskabel kann verwendet werden, ohne daß Leistungsverluste entstehen.

## Benutzen Sie das richtige Gerät!

Die bestimmungsgemäße Verwendung ist in dieser Betriebsanleitung beschrieben. Verwenden Sie keine zu schwachen Geräte oder Zubehörteile für schwere Arbeiten. Mit dem richtigen Gerät erzielen Sie eine optimale Qualität und gewährleisten Ihre persönliche Sicherheit. Überlasten Sie das Gerät nicht. Verwenden Sie das Gerät nicht für andere Zwecke als vorgesehen; verwenden Sie z.B. eine Handkreissäge nicht zum Sägen von Baumstämmen und Ästen.

**Warnung!** Das Verwenden anderer als der in dieser Anleitung empfohlenen Vorsatzgeräte und Zubehörteile oder die Ausführung von Arbeiten mit diesem Gerät, die nicht der bestimmungsgemäßen Verwendung entsprechen, kann zu Unfallgefahren führen.

## Kontrollieren Sie Ihr Gerät auf Beschädigungen!

Überprüfen Sie das Gerät und das Netzkabel vor der Arbeit auf Beschädigungen. Überprüfen Sie, ob alle beweglichen Teile richtig montiert sind, ob keine Teile gebrochen sind, ob keine Schutzvorrichtungen und Schalter beschädigt sind, und ob irgendwelche anderen Schäden den einwandfreien Betrieb des Gerätes beeinträchtigen könnten. Vergewissern Sie sich, daß das Gerät ordnungsgemäß funktionieren wird. Benutzen Sie das Gerät nicht, wenn ein Teil defekt ist. Verwenden Sie das Gerät nicht, wenn der Ein-/Aus-Schalter nicht funktioniert. Lassen Sie defekte Teile immer von einer unserer Kundendienstwerkstätten reparieren oder austauschen. Versuchen Sie nie, das Gerät selber zu reparieren.

## Ziehen Sie den Netzstecker!

Ziehen Sie den Netzstecker, wenn Sie das Gerät nicht benutzen, bevor Sie irgendwelche Werkzeuge, Zubehörteile oder Geräteteile auswechseln und bevor Sie irgendwelche Wartungsarbeiten vornehmen.

## Vermeiden Sie ein unbeabsichtigtes Einschalten!

Tragen Sie das Gerät nicht mit dem Finger am Ein-/Aus-Schalter. Vergewissern Sie sich, daß das Gerät ausgeschaltet ist, wenn Sie es an die Stromversorgung anschließen.

## Behandeln Sie das Kabel sorgfältig!

Tragen Sie das Gerät nicht am Kabel und benutzen Sie das Kabel nicht, um den Stecker aus der Steckdose zu ziehen. Schützen Sie das Kabel vor Hitze, Öl und scharfen Kanten.

## Bewahren Sie Ihre Geräte sicher auf!

Unbenutzte Geräte sind an einem trockenen, für Kinder nicht erreichbaren Ort aufzubewahren.

## Pflegen Sie Ihre Geräte mit Sorgfalt!

Halten Sie Schneidwerkzeuge scharf und sauber, um gut und sicher arbeiten zu können. Befolgen Sie die Wartungsvorschriften und die Hinweise für den Werkzeugwechsel. Halten Sie Handgriffe und Schalter trocken, sauber und frei von Öl und Fett.

## Reparaturen:

Dieses Gerät entspricht den einschlägigen Sicherheitsvorschriften. Reparaturen sind nur von autorisierten Fachkräften und mit Original-Ersatzteilen vorzunehmen; andernfalls kann Unfallgefahr für den Betreiber entstehen.

## Elektrische Sicherheit:



Dieses Gerät ist schutzisoliert, daher ist keine Erdleitung erforderlich. Überprüfen Sie stets, ob die Netzspannung der auf dem Typenschild angegebenen Spannung entspricht.

- ◆ Dieses Gerät darf ohne Aufsicht nicht von jungen oder schwachen Personen verwendet werden. Kinder müssen beaufsichtigt werden, um sicherzustellen, daß sie nicht mit dem Gerät spielen.
- ◆ Falls das Netzkabel beschädigt ist, so ist es vom Hersteller oder einem autorisierten Black & Decker Service Center auszutauschen, um Gefahren vorzubeugen.

## Zusätzliche Sicherheitshinweise für Heckenscheren



Tragen Sie bei der Verwendung dieses Geräts eine Schutzbrille!



Tragen Sie bei der Verwendung dieses Geräts Handschuhe!



Tragen Sie bei der Verwendung dieses Geräts einen Gehörschutz!



Falls das Netzkabel durchgeschnitten wird oder beschädigt ist, ziehen Sie sofort den Netzstecker.



Setzen Sie das Gerät keinem Regen oder hoher Feuchtigkeit aus.

- ◆ Halten Sie bei der Arbeit mit diesem Gerät das Netzkabel von den Messern fern.
- ◆ Falls Sie noch nie zuvor eine Heckenschere benutzt haben, lassen Sie sich möglichst von einem erfahrenen Benutzer einweisen. Lesen Sie darüber hinaus diese Anleitung sorgfältig durch.
- ◆ Berühren Sie niemals die Messer, während das Gerät läuft.
- ◆ Versuchen Sie nie, die Messer mit Gewalt zum Stillstand zu bringen.
- ◆ Legen Sie das Gerät nicht nieder, bevor die Messer zum Stillstand gekommen sind.
- ◆ Prüfen Sie die Messer regelmäßig auf Beschädigung und Abnutzung. Verwenden Sie das Gerät nicht, wenn die Messer abgenutzt oder beschädigt sind.
- ◆ Sorgen Sie dafür, daß Sie beim Schneiden nicht auf harte Objekte (z.B. Metalldraht, Gitter) stoßen. Sollten Sie versehentlich doch auf einen harten Gegenstand stoßen, schalten Sie das Gerät sofort aus und überprüfen es auf etwaige Beschädigungen.
- ◆ Sollte das Gerät plötzlich stark vibrieren, schalten Sie es sofort aus und überprüfen es auf etwaige Beschädigungen.
- ◆ Wenn das Gerät sich festfährt, schalten Sie es sofort aus. Ziehen Sie den Netzstecker, bevor Sie versuchen, die Blockierung zu beseitigen.
- ◆ Nach dem Gebrauch bringen Sie die im Lieferumfang enthaltene Messerhülle auf den Messern an. Räumen Sie das Gerät ein und vergewissern Sie sich, daß die Messerhülle angebracht ist.
- ◆ Vergewissern Sie sich vor dem Gebrauch immer, daß alle Schutzvorrichtungen ordnungsgemäß montiert sind. Versuchen Sie nie, ein Gerät zu verwenden, von dem Teile fehlen oder an dem unbefugte Änderungen vorgenommen wurden.
- ◆ Verbieten Sie Kindern die Verwendung des Gerätes.
- ◆ Passen Sie auf herunterfallendes Schnittgut auf, wenn Sie die höher liegenden Seiten einer Hecke schneiden.

## Merkmale

Dieses Gerät weist einige oder alle der folgenden Merkmale auf.

1. Betriebsschalter
2. Zweithandschalter
3. Vorderer Handgriff
4. Schutzvorrichtung
5. Messer
6. Messerhülle
7. Kabelzugentlastung

Diese Heckenschere weist folgende nützliche Merkmale auf.

- ◆ Ergonomisch geformte Griffe für komfortables Schneiden.



- ◆ Bearbeitete Messer für verbesserten Schnitt.
- ◆ Gegenläufige Messer für verringerte Vibrationen.

## Montage

**Achtung!** Vergewissern Sie sich vor der Montage, daß das Gerät ausgeschaltet, der Netzstecker gezogen und die Messerhülle auf den Messern angebracht ist.

### Anbringen der Schutzvorrichtung (Abb. A)

- ◆ Setzen Sie die Schutzvorrichtung (4) in den Rillen (8) ein.
- ◆ Befestigen Sie den Handschutz mit Hilfe der beiden im Lieferumfang enthaltenen Schrauben (9).

**Achtung!** Verwenden Sie das Gerät nie ohne den Handschutz.

### Anschließen des Geräts an die Stromversorgung (Abb. B)

Falls das Gerät nicht mit einem Netzkabel ausgestattet ist, müssen Sie ein Verlängerungskabel mit dem Netzanschluss verbinden.

- ◆ Schließen Sie die Steckerbuchse eines geeigneten Verlängerungskabels an den Netzanschluss des Geräts an.
- ◆ Haken Sie eine Schleife des Kabels wie abgebildet hinter die Zugentlastung (7), damit sich das Verlängerungskabel während des Gebrauchs nicht lösen kann.
- ◆ Stecken Sie den Netzstecker in eine Steckdose.

**Achtung!** Das Verlängerungskabel muss für den Einsatz im Freien geeignet sein. Rollen Sie das Kabel bei Verwendung einer Kabeltrommel immer völlig aus.

## Gebrauch

**Achtung!** Beschleunigen Sie den Arbeitsvorgang nicht mit Gewalt. Vermeiden Sie eine Überlastung des Gerätes.

- ◆ Führen Sie das Kabel sorgfältig, damit Sie es nicht versehentlich durchschneiden. Es empfiehlt sich, das Kabel zu führen, indem Sie es über die Schulter legen.
- ◆ Aus Sicherheitsgründen ist dieses Gerät mit einem Doppelschaltersystem ausgestattet. Dieses System verhindert ein unbeabsichtigtes Einschalten des Geräts und erlaubt den Betrieb nur, wenn Sie das Gerät in beiden Händen halten.

## Ein- und Ausschalten

### Einschalten

- ◆ Fassen Sie den vorderen Handgriff (3) fest mit einer Hand, damit der Zweithandschalter (2) in das Gerätegehäuse gedrückt wird.
- ◆ Betätigen Sie mit der anderen Hand den Betriebsschalter (1), um das Gerät zu starten.

### Ausschalten

- ◆ Lassen Sie den Handgriffschalter (2) oder den Betriebsschalter (1) los.

**Achtung!** Versuchen Sie nie, einen Schalter in eingeschaltetem Zustand zu blockieren.

## Hinweise für optimale Arbeitsergebnisse

- ◆ Schneiden Sie zuerst die Oberseite der Hecke. Neigen Sie das Gerät ein wenig (max. 15° von der Schnittlinie), damit die Messerspitzen mehr in Richtung der Hecke zeigen (Abb. C1). So schneiden die Messer besser. Halten Sie das Gerät im gewünschten Winkel und bewegen Sie es gleichmäßig entlang der Schnittlinie. Da die Messer an beiden Seiten schneiden, können Sie sowohl nach links als auch nach rechts schneiden.
- ◆ Um einen sehr geraden Schnitt zu erzielen, spannen Sie auf der gewünschten Höhe eine Schnur über die gesamte Länge der Hecke. Verwenden Sie die Schnur als Bezugslinie und schneiden Sie unmittelbar oberhalb der Schnur.
- ◆ Um flache Seiten zu erhalten, schneiden Sie aufwärts. Wenn die Messer nach unten schneiden, bewegen sich jüngere Zweige nach außen und bilden schmale Fetzen in der Hecke (Abb. C2).
- ◆ Achten Sie darauf, daß Sie nicht auf Fremdkörper stoßen. Passen Sie speziell auf harte Objekte wie Metalldraht und Gitter auf, da diese die Messer beschädigen können.
- ◆ Ölen Sie die Messer regelmäßig.

## Wann sollte man schneiden

- ◆ Im allgemeinen sind Hecken, die ihr Laub im Herbst verlieren, im Juni und im Oktober zu schneiden.
- ◆ Immergrüne Hecken sind im April und im August zu schneiden.
- ◆ Koniferen und andere schnell wachsende Straucharten können ab Mai etwa alle 6 Wochen geschnitten werden.

## Wartung

Ihr Gerät wurde im Hinblick auf eine lange Lebensdauer und einen möglichst geringen Wartungsaufwand entwickelt. Ein dauerhafter, einwandfreier Betrieb setzt eine regelmäßige Pflege und Reinigung voraus.

**Achtung!** Bevor Sie irgendwelche Wartungsarbeiten vornehmen, schalten Sie das Gerät aus, und ziehen Sie den Netzstecker.

- ◆ Reinigen Sie nach dem Gebrauch vorsichtig die Messer. Geben Sie nach dem Reinigen zum Schutz vor Korrosion ein wenig Maschinenöl auf die Messer.
- ◆ Reinigen Sie regelmäßig die Lüftungsschlitze im Gerät mit Hilfe einer weichen Bürste oder eines trockenen Tuches.
- ◆ Reinigen Sie regelmäßig das Motorgehäuse mit Hilfe eines feuchten Tuches. Verwenden Sie keine scheuernden Reinigungsmittel oder Reinigungsmittel auf Lösungsmittelbasis.

- ◆ Stellen Sie vor und nach dem Gebrauch sicher, dass alle Schalter frei von Verunreinigungen sind.

Sie bitte Ihr Produkt zu einer Vertragswerkstatt. Hier wird es dann auf unsere Kosten gesammelt.

## Entfernen des Handschutzes (Abb. A)

**Achtung!** Entfernen Sie den Handschutz ausschließlich zu Wartungszwecken. Bringen Sie immer den Handschutz nach der Wartung an.

- ◆ Lösen Sie die Schrauben (9) und entfernen Sie sie.
- ◆ Schieben Sie die Schutzvorrichtung (4) vom Werkzeug herunter.

## Störungsbehebung

Falls das Gerät nicht einwandfrei arbeitet, überprüfen Sie Folgendes:

Störung	Mögliche Ursache	Abhilfe
Das Gerät startet nicht.	Die Sicherung ist durchgebrannt. Der Schutzschalter hat ausgelöst. Das Netzkabel ist nicht angeschlossen.	Erneuern Sie die Sicherung. Überprüfen Sie den Schutzschalter. Überprüfen Sie die Spannungsversorgung.

## Umweltschutz



Getrennte Entsorgung. Dieses Produkt darf nicht über den normalen Hausmüll entsorgt werden.

Sollte Ihr Black & Decker Produkt eines Tages erneuert werden müssen, oder falls Sie es nicht weiter verwenden wollen, so darf es nicht über den Hausmüll entsorgt werden. Stellen Sie dieses Produkt zur getrennten Entsorgung bereit.



Durch die getrennte Entsorgung gebrauchter Produkte und Verpackungen können die Materialien recycelt und wiederverwertet werden. Die Wiederverwertung recycelter Materialien schont die Umwelt und verringert die Nachfrage nach Rohstoffen.

Die regionalen Bestimmungen schreiben unter Umständen die getrennte Entsorgung elektrischer Produkte aus dem Haushalt an Sammelstellen oder seitens des Händlers vor, bei dem Sie das neue Produkt erworben haben.

Black & Decker nimmt Ihre ausgedienten Black & Decker Geräte gern zurück und sorgt für eine umweltfreundliche Entsorgung und Wiederverwertung. Um diesen Dienst zu nutzen, schicken

Die Adresse der zuständigen Black & Decker Vertretung steht in diesem Handbuch, darüber lässt sich die nächstgelegene Vertragswerkstatt ermitteln. Außerdem ist eine Liste der Vertragswerkstätten und aller Kundendienststellen von Black & Decker sowie der zuständigen Ansprechpartner im Internet zu finden unter: [www.2helpU.com](http://www.2helpU.com)

## Technische Daten

		GT450	GT480	GT501
Spannung	$V_{AC}$	230	230	230
Leistungsaufnahme	W	450	450	500
Messerhübe (Leerlauf)	$\text{min}^{-1}$	1.700	1.700	1.700
Messerlänge	cm	42	51	51
Messeröffnung	mm	20	20	20
Messerbremszeit	s	< 1,0	< 1,0	< 1,0
Gewicht (ohne Netzkabel)	kg	2,9	3,0	3,0

		GT502	GT510	GT515
Spannung	$V_{AC}$	230	230	230
Leistungsaufnahme	W	520	500	550
Messerhübe (Leerlauf)	$\text{min}^{-1}$	1.700	1.700	1.700
Messerlänge	cm	55	55	55
Messeröffnung	mm	20	20	20
Messerbremszeit	s	< 1,0	< 1,0	< 1,0
Gewicht (ohne Netzkabel)	kg	3,1	3,1	3,1

		GT516	GT517
Spannung	$V_{AC}$	230	230
Leistungsaufnahme	W	520	550
Messerhübe (Leerlauf)	$\text{min}^{-1}$	1.700	1.700
Messerlänge	cm	61	61
Messeröffnung	mm	20	20
Messerbremszeit	s	< 1,0	< 1,0
Gewicht (ohne Netzkabel)	kg	3,2	3,2

## EG-Konformitätserklärung

GT450/GT480/GT501/GT502/GT510/GT515/GT516/GT517

Black & Decker erklärt, daß diese Produkte folgende

Konformität erfüllen:

98/37/EG, 89/336/EWG, EN 50144, EN 55014, EN 61000,  
2000/14/EC, Heckenschere, ≤ 500 W, Annex V

Höhe des Schalldrucks, gemessen nach 2000/14/EG:

$L_{pA}$  (Schalldruck) 88 dB(A),  $L_{WA}$  (Schalleistung) 101 dB(A),  
 $L_{WA}$  (garantiert) 102 dB(A)

Gewichteter Hand-/Arm-Vibrationswert nach EN 50144: < 2,5 m/s<sup>2</sup>



Kevin Hewitt

Director of Consumer Engineering  
Spennymoor, County Durham DL16 6JG,  
Vereinigtes Königreich  
1-10-2007

Zur Inanspruchnahme dieser Garantie ist dem Verkäufer bzw. der Vertragswerkstatt ein Kaufnachweis vorzulegen. Der Kaufnachweis muß Kaufdatum und Gerätetyp bescheinigen. Die Adresse des zuständigen Büros von Black & Decker steht in dieser Anleitung, darüber läßt sich die nächstgelegene Vertragswerkstatt ermitteln. Außerdem ist eine Liste der Vertragswerkstätten und aller Kundendienststellen von Black & Decker sowie der zuständigen Ansprechpartner im Internet zu finden unter: [www.2helpU.com](http://www.2helpU.com)

Bitte besuchen Sie unsere Webseite [www.blackanddecker.de](http://www.blackanddecker.de), um Ihr neues Black & Decker Produkt zu registrieren und über neue Produkte und Sonderangebote aktuell informiert zu werden. Weitere Informationen über die Marke Black & Decker und unsere Produkte finden Sie unter [www.blackanddecker.de](http://www.blackanddecker.de)

## Garantie

Black & Decker vertraut auf die Qualität der eigenen Geräte und bietet dem Käufer eine außergewöhnliche Garantie.

Diese Garantiezusage versteht sich unbeschadet der gesetzlichen Gewährleistungsansprüche und schränkt diese keinesfalls ein. Sie gilt in sämtlichen Mitgliedsstaaten der Europäischen Union und der Europäischen Freihandelszone EFTA.

Tritt innerhalb von 24 Monaten ab Kaufdatum an einem Gerät von Black & Decker ein auf Material- oder Verarbeitungsfehler zurückzuführender Mangel auf, garantiert Black & Decker den Austausch defekter Teile, die Reparatur von Geräten mit üblichem Verschleiß bzw. den Austausch eines mangelhaften Geräts, ohne den Kunden dabei mehr als unbedingt nötig in Anspruch zu nehmen, allerdings vorbehaltlich folgender Ausnahmen:

- ◆ wenn das Gerät gewerblich, beruflich oder im Verleihgeschäft benutzt wurde;
- ◆ wenn das Gerät mißbräuchlich verwendet oder mit mangelnder Sorgfalt behandelt wurde;
- ◆ wenn das Gerät durch irgendwelche Fremdeinwirkung beschädigt wurde;
- ◆ wenn ein unbefugter Reparaturversuch durch anderes Personal als das einer Vertragswerkstatt oder des Black & Decker-Kundendienstes unternommen wurde.

## Utilisation prévue

Votre taille-haies Black & Decker a été conçu pour la taille de haies, d'arbustes et de ronces. Cet outil a été conçu pour une utilisation exclusivement domestique.

## Instructions de sécurité

- ◆ **Attention!** Lors de l'utilisation d'outils électriques, observez les consignes fondamentales de sécurité, y compris celles qui suivent afin de réduire les risques d'incendie, de décharges électriques, de blessures et de dommages matériels.
- ◆ Lisez et observez attentivement les instructions avant d'utiliser l'outil.
- ◆ Conservez ces instructions.
- ◆ Débranchez l'outil avant d'effectuer tout réglage, entretien ou réparation.

### Tenez votre aire de travail propre et bien rangée

Le désordre augmente les risques d'accident.

### Tenez compte des conditions ambiantes

N'exposez pas l'outil à la pluie. N'exposez pas l'outil à l'humidité. Veillez à ce que l'aire de travail soit bien éclairée. N'utilisez pas l'outil s'il existe un risque d'incendie ou d'explosion, par exemple en présence de liquides ou de gaz inflammables.

### Tenez les enfants éloignés

Ne laissez pas les enfants, les visiteurs ou les animaux s'approcher de l'aire de travail ou toucher l'outil ou le câble d'alimentation.

### Portez des vêtements de travail appropriés

Ne pas porter de vêtements flottants ou de bijoux. Ils pourraient être happés par les pièces en mouvement. Lors de travaux à l'extérieur, il est recommandé de porter des gants en caoutchouc et des chaussures à semelle anti-dérapante. Le cas échéant, attachez vos cheveux s'ils sont longs, ou couvrez vous la tête.

### Protection

Portez toujours des lunettes de protection. Portez des lunettes de protection et un masque pour protéger le visage si le travail exécuté produit de la poussière ou des copeaux volants.

Portez des protections auditives.

### Protégez-vous des décharges électriques.

Veillez à ce que le corps n'entre pas en contact avec des surfaces reliées à la prise de masse ou de terre (par ex. tuyaux, radiateurs, cuisinières et réfrigérateurs). Utilisez un interrupteur de protection contre les courants de court-circuits à haute sensibilité (30 mA/30 mS) pour améliorer la sécurité électrique.

### Adoptez une position confortable

Toujours tenir les deux pieds à terre et garder l'équilibre.

### Faites preuve de vigilance

Observez votre travail. Faites preuve de bon sens. Ne pas employer l'outil en cas de fatigue.

### Fixez bien la pièce à travailler

Pour plus de sécurité, fixez la pièce à travailler avec un dispositif de serrage ou un étai. Ainsi, vous aurez les deux mains libres pour manier l'outil.

### Branchez le dispositif d'extraction de poussière.

Si vous disposez de systèmes pour brancher les dispositifs d'extraction et de ramassage de poussière, assurez-vous qu'ils sont bien branchés et qu'ils fonctionnent correctement.

### Enlevez les clés et outils de réglage

Avant de mettre l'outil en marche, retirez les clés et outils de réglage.

### Rallonges

Vérifiez la rallonge avant de l'utiliser et remplacez-la en cas de dommage. Si vous souhaitez utiliser cet outil à l'extérieur, n'utilisez que des rallonges prévues à cet effet. Des rallonges Black & Decker de 30 m de longueur peuvent être utilisées sans perte de puissance.

### Utilisez l'outil adéquat

Le domaine d'utilisation de l'outil est décrit dans le présent manuel. Ne pas utiliser d'outils ou d'accessoires de trop faible puissance pour exécuter des travaux lourds. L'utilisation d'accessoires autres que ceux recommandés dans le présent manuel pourrait entraîner un risque de blessure. Ne forcez pas l'outil. N'utilisez jamais l'outil pour effectuer des travaux autres que ceux pour lesquels il a été conçu, par exemple n'utilisez pas les scies circulaires pour scier des branches d'arbres ou des bûches.

**Attention!** Utilisez l'outil conformément à sa destination.

### Contrôlez les dommages éventuels de votre outil

Avant d'utiliser l'outil et le câble d'alimentation, vérifiez soigneusement qu'ils ne sont pas endommagés. Vérifiez l'alignement des pièces en mouvement, leur prise et toute rupture de pièces, tout dommage des protections et des interrupteurs et toute autre condition pouvant affecter le fonctionnement de l'outil. Veillez à ce que l'outil fonctionne correctement et qu'il exécute les tâches pour lesquelles il est prévu. N'utilisez pas l'outil si une pièce est défectueuse.

Ne pas utiliser l'outil si l'interrupteur marche/arrêt ne fonctionne pas. Faites réparer ou échangez toute pièce endommagée par un service de réparation agréé. Ne tentez jamais de le réparer vous-même.

### Retirez l'outil de la prise

Retirez l'outil de la prise lorsque l'outil n'est pas utilisé, avant de changer toute pièce de l'outil ou tout accessoire et avant de procéder à l'entretien.

### Évitez tout démarrage involontaire

Ne portez pas l'outil avec un doigt sur l'interrupteur marche/arrêt. Assurez-vous que l'outil est en position d'arrêt avant de le brancher.

### Ne tirez pas sur le câble d'alimentation

Ne portez jamais l'outil par le câble et ne tirez pas sur celui-ci pour le débrancher de la prise. Préserved le câble de la chaleur, de l'huile et des arêtes tranchantes.

### Rangez vos outils dans un endroit sûr

Lorsque vous n'utilisez pas vos outils, rangez-les dans un endroit sec, fermé ou élevé, hors de portée des enfants.

### Entretenez vos outils avec soin

Maintenez vos outils affûtés et propres afin de travailler mieux et plus sûrement. Suivez les instructions d'entretien et de changement d'accessoires. Maintenez les poignées et les interrupteurs secs, propres et exempts d'huile et de graisse.

### Réparations

Cet outil est conforme aux conditions de sécurité requises. Les réparations devront uniquement être effectuées par des personnes qualifiées utilisant des pièces de rechange d'origine ; en cas contraire, cela pourrait être très dangereux pour l'utilisateur.

### Sécurité électrique



L'outil est doublement isolé; par conséquent, une prise de terre n'est pas nécessaire. Vérifiez si la tension secteur correspond à la tension indiquée sur la plaque d'identification.

- ◆ Cet appareil n'est pas destiné à être utilisé par des jeunes ou des personnes infirmes sans supervision. Les enfants ne doivent pas jouer avec l'appareil.
- ◆ Si le câble d'alimentation est endommagé, il doit être remplacé par le fabricant ou par un centre de réparation agréé Black & Decker afin d'éviter tout accident.

### Instructions de sécurité supplémentaires pour les taille-haies



Portez des lunettes de sécurité lorsque vous utilisez cet outil.



Portez des gants lorsque vous utilisez cet outil.



Portez des protections auditives lorsque vous utilisez cet outil.



Débranchez immédiatement le câble s'il est endommagé ou coupé.



N'exposez pas l'outil à la pluie ou à l'humidité.

- ◆ Veillez à garder le câble éloigné des lames lorsque vous utilisez cet outil.
- ◆ Si vous n'avez jamais utilisé de taille-haie, demandez de préférence à un utilisateur expérimenté de vous donner des instructions pratiques et étudiez attentivement ce manuel.

- ◆ Ne touchez jamais les lames lorsque l'outil fonctionne.
- ◆ Ne tentez jamais de forcer sur les lames pour qu'elles s'arrêtent.
- ◆ Ne posez pas l'outil avant que les lames ne se soient complètement arrêtées.
- ◆ Vérifiez régulièrement si les lames ne sont pas endommagées ou usées. N'utilisez pas l'outil lorsque les lames sont usées ou endommagées.
- ◆ Veillez à éviter les objets durs (par ex. fil de fer, clôtures) lorsque vous procédez à la taille. Si vous heurtez accidentellement un tel objet, éteignez immédiatement l'outil et vérifiez qu'aucun dommage ne s'est produit.
- ◆ Si l'outil commençait à vibrer de façon anormale, arrêtez-le immédiatement et vérifiez qu'aucun dommage ne s'est produit.
- ◆ Si l'outil calait, éteignez-le immédiatement. Débranchez l'outil avant d'essayer de retirer tout débris pouvant l'obstruer.
- ◆ Après utilisation, placez l'étui de protection fourni sur les lames. Rangez l'outil et veillez à ce que la lame ne soit pas découverte.
- ◆ Veillez à ce que les protections soient toutes installées lorsque vous utilisez l'outil. N'utilisez pas un outil incomplet ou modifié de façon non autorisée.
- ◆ Ne permettez pas aux enfants d'utiliser l'outil.
- ◆ Faites attention à la chute de débris lorsque vous taillez les côtés les plus hauts d'une haie.

### Caractéristiques

Cet outil comprend toutes ou certaines des caractéristiques suivantes.

1. Interrupteur de mise en marche
2. Interrupteur de la poignée avant
3. Poignée avant
4. Carter de protection
5. Lame
6. Étui de protection des lames
7. Dispositif serre-câbles

Pour votre confort, votre taille-haies est équipé des dispositifs suivants :

- ◆ Poignées ergonomiques pour une coupe confortable.
- ◆ Lames usinées pour une coupe optimisée.
- ◆ Lames à double action pour des vibrations réduites.

### Montage

**Attention !** Avant le montage, assurez-vous que l'outil est coupé et débranché du secteur et que l'étui de protection recouvre les lames.

### Mise en place du carter de protection (fig. A)

- ◆ Centrez le carter (4) dans les encoches (8).
- ◆ Fixez le carter protecteur à l'aide des deux vis (9) fournies.

**Attention !** N'utilisez pas l'outil sans carter de protection.

## Branchement de l'outil sur le secteur (fig. B)

Si l'outil n'est pas équipé d'un câble secteur, vous devez le brancher à la prise électrique à l'aide d'un fil de rallonge .

- ◆ Branchez la prise femelle d'un fil de rallonge adapté à l'entrée d'alimentation électrique de l'outil.
- ◆ Entourez le câble dans le serre-câble (7) comme l'indique l'illustration pour empêcher le fil de se détacher pendant l'utilisation.
- ◆ Branchez la prise mâle du câble au secteur.

**Attention !** Le câble de rallonge doit être adapté pour le travail en extérieur. En cas d'utilisation d'un dévidoir, déroulez toujours le câble complètement.

## Utilisation

**Attention !** Laissez l'outil fonctionner à sa propre vitesse. Ne le surchargez pas.

- ◆ Guidez le câble avec soin pour ne pas le couper par mégarde. Passez le câble sur votre épaule pour le maintenir bien en place.
- ◆ Pour des raisons de sécurité, cet outil est équipé d'un système d'interrupteur double. Ce système empêche un démarrage involontaire de l'outil et permettra à l'outil de fonctionner uniquement s'il est tenu avec les deux mains.

## Démarrage et arrêt

### Démarrage

- ◆ Saisissez la poignée avant (3) d'une main de sorte que son interrupteur (2) soit poussé dans le corps de l'outil.
- ◆ De l'autre main, serrez la gâchette (1) pour démarrer l'outil.

### Arrêt

- ◆ Relâchez l'interrupteur de la poignée (2) ou la gâchette (1).

**Attention !** N'essayez jamais de bloquer l'interrupteur en position de marche.

## Conseils pour une utilisation optimale

- ◆ Commencez par tailler le haut de la haie. Inclinez légèrement l'outil (jusqu'à 15° par rapport à la ligne de coupe) afin que l'extrémité des lames pointent légèrement vers la haie (fig. C1). Les lames pourront ainsi couper de façon plus efficace. Tenez l'outil à l'angle désiré et déplacez-le régulièrement le long de la ligne de coupe. La lame à double tranchant vous permet de couper dans les deux sens.
- ◆ Afin d'obtenir une coupe très droite, tendez un bout de ficelle sur la longueur de la haie à la hauteur désirée. Utilisez la ficelle comme guide, et coupez juste au-dessus d'elle.
- ◆ Pour obtenir des côtés plats, coupez la végétation de bas en haut. Les tiges plus jeunes vont vers l'extérieur lorsque la lame coupe de haut en bas et cela produit des trous sur la surface de la haie (fig. C2).

- ◆ Veillez à éviter tout corps étranger. Évitez en particulier tout objet dur tel que le fil de fer et les clôtures qui pourraient endommager les lames.
- ◆ Graissez régulièrement les lames.

## Quand tailler ?

- ◆ Taillez les haies à feuillage non persistant en juin et en octobre.
- ◆ Taillez les feuillages persistants en avril et en août.
- ◆ Les conifères peuvent être taillés toutes les 6 semaines de mai à octobre.

## Entretien

Votre outil a été conçu pour fonctionner pendant longtemps avec un minimum d'entretien. Un fonctionnement continu satisfaisant dépend d'un nettoyage régulier et d'un entretien approprié de l'outil.

**Attention !** Avant d'effectuer tout entretien, éteignez et débranchez l'outil.

- ◆ Après utilisation, nettoyez soigneusement les lames. Après les avoir nettoyées, appliquez une fine couche d'huile de machine pour éviter qu'elles ne rouillent.
- ◆ Nettoyez régulièrement les orifices de ventilation de votre outil à l'aide d'une brosse douce ou d'un chiffon sec.
- ◆ Nettoyez régulièrement le compartiment du moteur à l'aide d'un chiffon humide. N'utilisez pas de produit abrasif ou à base de solvant.
- ◆ Assurez-vous que tous les interrupteurs sont sans débris avant et après usage.

## Retrait du carter de protection (fig. A)

**Attention !** Retirez le carter de protection uniquement à des fins d'entretien. Remettez toujours le carter de protection en place après l'entretien.

- ◆ Desserrez les vis (9) et enlevez-les.
- ◆ Retirez le carter protecteur (4) de l'outil.

## Dépannage

Si l'outil ne fonctionne pas correctement, contrôlez les points suivants :

Erreur	Cause possible	Action
L'outil ne démarre pas.	Fusible grillé. RCD déclenché Pas d'alimentation électrique.	Remplacez le fusible Vérifiez RCD Vérifiez l'alimentation du secteur.

## Protection de l'environnement



Collecte séparée. Ce produit ne doit pas être jeté avec les déchets domestiques normaux.

Si vous décidez de remplacer ce produit Black & Decker, ou si vous n'en avez plus l'utilité, ne le jetez pas avec vos déchets domestiques. Rendez-le disponible pour une collecte séparée.



La collecte séparée des produits et emballages usés permet le recyclage des articles afin de les utiliser à nouveau. Le fait d'utiliser à nouveau des produits recyclés permet d'éviter la pollution environnementale et de réduire la demande de matières premières.

Les réglementations locales peuvent permettre la collecte séparée des produits électriques du foyer, dans des déchetteries municipales ou auprès du revendeur vous ayant vendu votre nouveau produit.

Black & Decker fournit un dispositif permettant de collecter et de recycler les produits Black & Decker lorsqu'ils ont atteint la fin de leur cycle de vie. Pour pouvoir profiter de ce service, veuillez retourner votre produit à un réparateur agréé qui se chargera de le collecter pour nous.

Pour connaître l'adresse du réparateur agréé le plus proche de chez vous, contactez le bureau Black & Decker à l'adresse indiquée dans ce manuel. Vous pourrez aussi trouver une liste des réparateurs agréés de Black & Decker et de plus amples détails sur notre service après-vente sur le site Internet à l'adresse suivante : [www.2helpU.com](http://www.2helpU.com)

**Caractéristiques techniques**

		GT450	GT480	GT501
Tension	V <sub>AC</sub>	230	230	230
Puissance absorbée	W	450	450	500
Déplacement des lames (sans charge)	min <sup>-1</sup>	1.700	1.700	1.700
Longueur des lames	cm	42	51	51
Écart des lames	mm	20	20	20
Délai d'arrêt des lames	s	< 1,0	< 1,0	< 1,0
Poids (sauf cordon d'alimentation)	kg	2,9	3,0	3,0

		GT502	GT510	GT515
Tension	V <sub>AC</sub>	230	230	230
Puissance absorbée	W	520	500	550
Déplacement des lames (sans charge)	min <sup>-1</sup>	1.700	1.700	1.700
Longueur des lames	cm	55	55	55
Écart des lames	mm	20	20	20
Délai d'arrêt des lames	s	< 1,0	< 1,0	< 1,0
Poids (sauf cordon d'alimentation)	kg	3,1	3,1	3,1

		GT516	GT517
Tension	V <sub>AC</sub>	230	230
Puissance absorbée	W	520	550
Déplacement des lames (sans charge)	min <sup>-1</sup>	1.700	1.700
Longueur des lames	cm	61	61
Écart des lames	mm	20	20
Délai d'arrêt des lames	s	< 1,0	< 1,0
Poids (sauf cordon d'alimentation)	kg	3,2	3,2

**Déclaration de conformité CE**

GT450/GT480/GT501/GT502/GT510/GT515/GT516/GT517  
 Black & Decker déclare que ces produits sont conformes à :  
 98/37/CE, 89/336/CEE, EN 50144, EN 55014, EN 61000,  
 2000/14/EC, Taille-haies, ≤ 500 W, Annexe V

Niveau de pression acoustique, mesuré suivant la norme  
 2000/14/CE :

L<sub>PA</sub> (pression sonore) 88 dB(A),

L<sub>WA</sub> (puissance acoustique) 101 dB(A), L<sub>WA</sub> (garanti) 102 dB(A)

Niveau de vibration main/bras selon la norme EN 50144 : < 2,5 m/s<sup>2</sup>

Kevin Hewitt

Directeur Ingénierie Client

Spennymoor, County Durham DL16 6JG,

Royaume Uni

1-10-2007

**Garantie**

Black & Decker est confiant dans la qualité de ses produits et vous offre une garantie très étendue. Ce certificat de garantie est un document supplémentaire et ne peut en aucun cas se substituer à vos droits légaux. La garantie est valable sur tout le territoire des Etats Membres de l'Union Européenne et de la Zone de Libre Echange Européenne.

Si un produit Black & Decker s'avère défectueux en raison de matériaux en mauvaises conditions, d'une erreur humaine, ou d'un manque de conformité dans les 24 mois suivant la date d'achat, Black & Decker garantit le remplacement des pièces défectueuses, la réparation des produits usés ou cassés ou remplace ces produits à la convenance du client, sauf dans les circonstances suivantes :

- ◆ Le produit a été utilisé dans un but commercial, professionnel, ou a été loué.
- ◆ Le produit a été mal utilisé ou avec négligence.
- ◆ Le produit a subi des dommages à cause d'objets étrangers, de substances ou à cause d'accidents.
- ◆ Des réparations ont été tentées par des techniciens ne faisant pas partie du service technique de Black & Decker.

Pour avoir recours à la garantie, il est nécessaire de fournir une preuve d'achat au vendeur ou à un réparateur agréé. Pour connaître l'adresse du réparateur agréé le plus proche de chez vous, contactez le bureau Black & Decker à l'adresse indiquée dans ce manuel. Vous pourrez aussi trouver une liste des réparateurs agréés de Black & Decker et de plus amples détails sur notre service après-vente sur le site Internet à l'adresse suivante : **[www.2helpU.com](http://www.2helpU.com)**

Visitez notre site Web **[www.blackanddecker.fr](http://www.blackanddecker.fr)** pour enregistrer votre nouveau produit Black & Decker et être informé des nouveaux produits et des offres spéciales. Pour plus d'informations concernant la marque Black & Decker et notre gamme de produits, consultez notre site **[www.blackanddecker.fr](http://www.blackanddecker.fr)**



## Uso previsto

Il taglia siepi Black & Decker è stato progettato per tagliare siepi, cespugli e fronde. L'utensile è stato progettato per un uso individuale.

## Istruzioni di sicurezza

- ◆ **Attenzione!** Quando si adoperano utensili alimentati elettricamente, per ridurre il rischio di incendio, di scosse elettriche e danni a persone e cose è necessario seguire sempre alcune precauzioni di sicurezza basilari, incluso le seguenti:
  - ◆ Prima di adoperare l'utensile, leggere attentamente le istruzioni di cui al presente manuale.
  - ◆ Conservare queste istruzioni per successive consultazioni.
  - ◆ Prima di eseguire interventi di manutenzione, di assistenza o delle regolazioni, estrarre la spina dalla presa.

### Tenere pulita l'area di lavoro

Ambienti e banchi di lavoro in disordine possono essere causa d'incidenti.

### Tener presenti le caratteristiche dell'ambiente di lavoro

Non lasciare l'utensile sotto la pioggia. Non usare l'utensile in ambienti carichi di umidità. Tenere ben illuminata l'area di lavoro. Non usare l'utensile quando vi sia rischio di provocare un incendio o un'esplosione, per es. in luoghi con atmosfera gassosa o infiammabile.

### Tenere i bambini lontani dall'area di lavoro

Non permettere a bambini, ad altre persone o ad animali di avvicinarsi alla zona di lavoro, toccare l'utensile o il cavo di alimentazione.

### Usare il vestiario appropriato

Evitare l'uso di abiti svolazzanti, catenine, ecc. in quanto potrebbero rimanere impigliati nelle parti mobili dell'utensile. Lavorando all'aperto indossare guanti di gomma e scarpe con soletta antiscivolo. Raccogliere i capelli se si portano lunghi.

### Protezione personale

Indossare occhiali di sicurezza. Indossare una mascherina contro la polvere ogni volta che l'uso dell'utensile provochi polvere o schegge. Indossare cuffie acustiche.

### Fare attenzione alle scosse elettriche

Evitare il contatto con le superfici messe a terra (ad esempio tubi, radiatori, cuocitori e refrigeratori). La sicurezza elettrica può essere ulteriormente ampliata utilizzando un dispositivo a corrente residua (RCD) ad alta sensibilità (30 mA/30 mS).

### Non sbilanciarsi

Mantenere sempre un buon equilibrio evitando posizioni malsicure.

### Stare sempre attenti

Prestare attenzione a quanto si sta facendo. Usare il proprio buon senso. Non utilizzare l'utensile quando si è stanchi.

## Bloccare il pezzo da lavorare

Usare pinze o morse per bloccare il pezzo da lavorare. Ciò aumenta la sicurezza e consente di mantenere entrambe le mani libere per operare meglio.

## Connettere l'apparecchiatura aspirapolvere

Se sono forniti i dispositivi per la connessione delle macchine per l'aspirazione e la raccolta della polvere, verificare che vengano collegati e utilizzati correttamente.

## Non lasciare sull'utensile chiavi o strumenti di misura

Prima di mettere in funzione l'utensile abbiate cura di togliere chiavi e altri strumenti.

## Prolunghe

Ispezionare la prolunga prima dell'uso e sostituirla se è danneggiata. Quando l'utensile viene impiegato all'esterno, usare unicamente le prolunghe per uso esterno. È possibile adoperare una prolunga Black & Decker fino a 30 m senza perdita di potenza.

## Adoperare l'utensile adatto alla situazione

L'utilizzo previsto è quello indicato nel presente manuale. Non forzare utensili e accessori di potenza limitata impiegandoli per lavori destinati ad utensili di maggiore potenza. Non forzare l'utensile. L'attrezzo va utilizzato esclusivamente per l'uso cui è destinato; ad esempio una sega circolare non deve essere adoperata per tagliare rami o tronchi.

**Attenzione!** L'uso di accessori o attrezzature diversi o l'impiego del presente utensile per scopi diversi da quelli indicati nel presente manuale d'uso comportano il rischio di infortuni.

## Controllare che non vi siano parti danneggiate

Prima dell'uso, ispezionare accuratamente l'utensile e il cavo elettrico per rilevare eventuali danni. Controllare se ci sono parti non allineate o parti mobili con gioco, componenti rotti, danni alle protezioni o agli interruttori e qualsiasi altra condizione che possa incidere sul funzionamento dell'utensile. Accertare che l'utensile funzioni come previsto e che venga impiegato per lo scopo per cui è stato progettato. Non usare l'utensile se presenta elementi danneggiati o difettosi. Non impiegare l'utensile se non è possibile accenderlo e spegnerlo mediante l'interruttore. Eventuali componenti difettosi o danneggiati devono essere sostituiti o riparati da un tecnico autorizzato. Non tentare mai di effettuare delle riparazioni.

## Estrarre la spina dalla presa di alimentazione

Estrarre la spina dalla presa di alimentazione quando l'utensile non è in uso, prima di cambiare pezzi, accessori o complementi e prima di eseguire lavori di manutenzione.

## Evitare di avviare l'utensile quando non è necessario

Non portare l'utensile con il dito sull'interruttore. Prima di collegare l'utensile alla presa, verificare che sia spento.

## Non forzare il cavo di collegamento elettrico

Non sostenere mai l'utensile mediante il cavo né tirare quest'ultimo per estrarre la spina dalla presa. Mantenere il cavo lontano da fonti di calore, olio e spigoli taglienti.

### Conservazione dell'utensile dopo l'uso

Quando non vengono usati, gli utensili vanno conservati in un luogo asciutto e inaccessibile (sottochiave o in alto), fuori dalla portata dei bambini.

### Mantenere l'utensile con cura

Mantenere gli utensili da taglio affilati e puliti in modo da ottenere una miglior e più sicura resa. Seguire le istruzioni di manutenzione e cambio di accessori. Mantenere le impugnature e gli interruttori asciutti, puliti e senza tracce di olio o grassi.

### Riparazioni

Questo utensile è conforme ai relativi requisiti di sicurezza. Le riparazioni devono essere eseguite soltanto da personale qualificato e con pezzi di ricambio originali, per evitare di esporre gli utenti a considerevoli rischi.

### Sicurezza elettrica



Il doppio isolamento di cui è provvisto l'utensile rende superfluo il filo di terra. Controllare sempre che la tensione di alimentazione corrisponda a quella indicata sulla targhetta.

- ◆ L'elettrotensile non deve essere utilizzato da ragazzi o persone inabili senza la supervisione di un adulto. Controllare i bambini per evitare che giochino con l'elettrotensile.
- ◆ Se il cavo elettrico in dotazione risulta danneggiato, deve essere sostituito dal produttore o da un Centro di assistenza autorizzato Black & Decker, onde evitare rischi.

### Istruzioni aggiuntive di sicurezza per tagliasiepi



Indossate sempre occhiali di protezione quando fate funzionare questo utensile.



Indossate guanti quando fate funzionare questo utensile.



Indossate sempre protezioni acustiche quando fate funzionare questo utensile.



Disinserire immediatamente il cavo dalla presa di corrente se è danneggiato o tagliato.



Non esponete l'utensile alla pioggia od a condizioni di alta umidità.

- ◆ Mantenere il cavo lontano dalle lame quando lo strumento è in funzione.
- ◆ Se non si è pratici di tagliasiepi, oltre a studiare questo manuale è consigliabile chiedere istruzioni pratiche ad un esperto.

- ◆ Non toccare mai le lame mentre l'utensile è in funzione.
- ◆ Non cercare di fermare le lame.
- ◆ Non lasciare per terra l'utensile fino a che le lame non si sono completamente fermate.
- ◆ Controllare regolarmente che le lame non siano danneggiate o usurate. Non usare l'utensile se le lame sono usurate o danneggiate.
- ◆ Fare attenzione a non toccare oggetti duri (p.e. fili metallici, ringhiere) durante la tosatura. Nel caso in cui si colpisca incidentalmente un oggetto di questo tipo, spegnere immediatamente l'utensile per verificare che non abbia subito danni.
- ◆ Se l'utensile si avvia in modo anomalo, spegnerlo immediatamente per verificare eventuali danni.
- ◆ Se l'utensile si ferma, spegnerlo immediatamente. Disinserire la spina dell'utensile prima di togliere eventuali ostruzioni.
- ◆ Dopo l'uso, coprire la lama con la guaina in dotazione. Conservare l'utensile assicurandosi che la lama non sia esposta.
- ◆ Quando si usa l'attrezzo, verificare sempre che siano montate tutte le protezioni. Non tentare mai di utilizzare un attrezzo privo di alcuni componenti o che sia stato sottoposto a modifiche non autorizzate.
- ◆ Vietare ai bambini l'uso dell'attrezzo.
- ◆ Attenzione alla caduta di detriti che si verifica quando si potano i lati alti di una siepe.

### Funzioni

Questo elettrotensile è dotato di tutte le caratteristiche elencate di seguito, o di alcune di esse.

1. Interruttore a grilletto
2. Interruttore impugnatura frontale
3. Impugnatura anteriore
4. Protezione
5. Lama
6. Guaina della lama
7. Fermacavo

Questo tagliasiepi offre le seguenti funzioni:

- ◆ Impugnature ergonomiche per eseguire i tagli in modo confortevole.
- ◆ Lame affilate con estrema precisione per un taglio perfetto.
- ◆ Lame a doppia azione per ridurre le vibrazioni.

### Montaggio

**Attenzione!** Prima di eseguire il montaggio, accertarsi che l'elettrotensile sia spento, che la spina sia disinserita dalla presa e che la guaina sia installata sopra le lame.

### Installazione della protezione (fig. A)

- ◆ Posizionare la protezione (4) nelle scanalature (8).

- ◆ Fissare la protezione usando le due viti (9) in dotazione.

**Attenzione!** Non usare mai l'elettrotensile senza la protezione.

### Collegamento dell'elettrotensile alla presa di corrente (fig. B)

A meno che l'elettrotensile non sia dotato di un cavo di alimentazione di rete, è necessario collegare una prolunga all'ingresso dell'alimentazione.

- ◆ Collegare alla presa per l'alimentazione dell'elettrotensile la femmina di una prolunga adatta allo scopo.
- ◆ Avvolgere il cavo intorno al fermo (7) come indicato nella figura, per evitare che la prolunga si stacchi durante l'uso.
- ◆ Inserire la spina di alimentazione principale in una presa di alimentazione di rete.

**Attenzione!** Utilizzare una prolunga per uso esterno. Se si utilizza un avvolgitore, estrarre il cavo per l'intera lunghezza.

### Uso

**Attenzione!** Lasciare che l'utensile lavori al suo ritmo, senza sovraccaricarlo.

- ◆ Dirigere con attenzione il cavo per evitare di tagliarlo involontariamente. Per controllare meglio il cavo si consiglia di farlo passare sulla spalla.
- ◆ Per ragioni di sicurezza, questo elettrotensile viene fornito con un sistema di doppi interruttori che ne impedisce l'avviamento accidentale e ne permette il funzionamento soltanto quando è impugnato con entrambe le mani.

### Avviamento e spegnimento

#### Accensione

- ◆ Afferrare l'impugnatura anteriore (3) con una mano in modo da premere l'interruttore sull'impugnatura (2) nel corpo dell'elettrotensile.
- ◆ Con l'altra mano, premere l'interruttore a grilletto (1) per accendere l'elettrotensile.

#### Spegnimento

- ◆ Rilasciare l'interruttore sull'impugnatura (2) o l'interruttore a grilletto (1).

**Attenzione!** Non tentare mai di bloccare l'interruttore in posizione di accensione.

### Consigli per un'ottima utilizzazione

- ◆ Iniziare tagliando la parte superiore della siepe. Inclinare leggermente l'elettrotensile (fino a 15° rispetto alla linea di taglio) in modo che le punte della lama siano leggermente rivolte verso la siepe (fig. C1). Questo accorgimento farà sì che le lame taglino più efficacemente. Mantenere l'elettrotensile all'angolazione desiderata e spostarlo con decisione lungo la linea di taglio. La lama sui due lati consente di tagliare in qualsiasi direzione.

- ◆ Per ottenere un taglio dritto, usare una cordicella e fissarla all'altezza desiderata, lungo tutta la siepe. Usare la cordicella come guida, tagliando appena sopra di essa.
- ◆ Per ottenere fianchi pareggiati, tagliare verso l'alto nel senso della crescita. Quando la lama taglia verso il basso, i rami giovani si spostano verso l'esterno e ciò provoca dei buchi nella siepe (fig. C2).
- ◆ Fare attenzione ad evitare qualsiasi oggetto estraneo. Evitare, in particolare, oggetti duri come fili di metallo e ringhiere poiché potrebbero danneggiare le lame.
- ◆ Lubrificare le lame ad intervalli regolari.

### Quando tagliare

- ◆ In linea di massima le siepi con foglie stagionali si tagliano in giugno ed ottobre.
- ◆ I sempreverdi possono essere tagliati in aprile ed agosto.
- ◆ Conifere e altre siepi a crescita rapida possono essere tagliate ogni 6 settimane circa da maggio in avanti.

### Manutenzione

Questo elettrotensile è stato progettato per funzionare a lungo con un minimo di manutenzione. Per un funzionamento sempre soddisfacente è necessario avere cura dell'elettrotensile e provvedere alla regolare pulizia.

**Attenzione!** Prima di eseguire qualsiasi intervento di manutenzione, spegnere l'elettrotensile e disinserire la spina dalla presa.

- ◆ Dopo l'uso, pulire con cura le lame. Dopo averle pulite, applicare qualche goccia d'olio per evitare che arrugginiscono.
- ◆ Le feritoie di ventilazione dell'elettrotensile devono essere pulite regolarmente con un pennello morbido o un panno asciutto.
- ◆ Il vano del motore deve essere pulito regolarmente con un panno umido. Non usare materiali abrasivi o detersivi a base di solventi.
- ◆ Verificare che tutti gli interruttori siano liberi da eventuali corpi estranei prima e dopo l'uso.

### Rimozione della protezione (fig. A)

**Attenzione!** Rimuovere la protezione esclusivamente per eseguire una manutenzione. Reinserrire sempre la protezione dopo aver terminato la manutenzione.

- ◆ Allentare le viti (9) e rimuoverle.
- ◆ Sfilare la protezione (4) dall'utensile.

## Risoluzione dei problemi

Se l'elettrotensile non funziona correttamente, controllare quanto segue:

Avaria	Causa possibile	Azione
L'elettrotensile non si accende.	Fusibile bruciato.	Sostituire il fusibile.
	Dispositivo di corrente residua inceppato.	Controllare il dispositivo di corrente residua.
	Alimentazione principale non connessa.	Controllare l'alimentazione.

## Protezione dell'ambiente



Raccolta differenziata. Questo prodotto non deve essere smaltito con i normali rifiuti domestici.

Nel caso in cui si decida di sostituire l'apparecchio oppure di disfarsene in quanto non più necessario, non dovrà essere smaltito con i normali rifiuti domestici. Smaltire il prodotto tramite raccolta differenziata.



La raccolta differenziata di prodotti e imballaggi usati, consente il riciclaggio e il riutilizzo dei materiali. Riutilizzare i materiali riciclati aiuta a prevenire l'inquinamento ambientale e riduce la richiesta di materie prime.

In base alle normative locali, i servizi per la raccolta differenziata di elettrodomestici possono essere disponibili presso i punti di raccolta municipali o presso il rivenditore, al momento dell'acquisto di un nuovo prodotto.

Black & Decker offre ai suoi clienti un servizio per la raccolta differenziata e la possibilità di riciclare i prodotti Black & Decker che hanno esaurito la loro durata in servizio. Per usufruire del servizio, è sufficiente restituire il prodotto a qualsiasi tecnico autorizzato, incaricato della raccolta per conto dell'azienda.

Per individuare il tecnico autorizzato più vicino, rivolgersi alla sede Black & Decker locale, presso il recapito indicato nel presente manuale. Altrimenti un elenco completo di tutti i tecnici autorizzati Black & Decker e i dettagli completi sui contatti e i servizi post-vendita sono disponibili sul sito Internet: [www.2helpU.com](http://www.2helpU.com)

## Dati tecnici

	GT450	GT480	GT501
Tensione	$V_{AC}$ 230	230	230
Potenza assorbita	W 450	450	500
Corsa lama (senza carico)	$\text{min}^{-1}$ 1.700	1.700	1.700
Lunghezza lama	cm 42	51	51
Separazione lama	mm 20	20	20

Tempo di arresto lama	s	< 1,0	< 1,0	< 1,0
Peso (escl. cavo di alimentazione)	kg	2,9	3,0	3,0

	GT502	GT510	GT515	
Tensione	$V_{AC}$ 230	230	230	
Potenza assorbita	W 520	500	550	
Corsa lama (senza carico)	$\text{min}^{-1}$ 1.700	1.700	1.700	
Lunghezza lama	cm 55	55	55	
Separazione lama	mm 20	20	20	
Tempo di arresto lama	s	< 1,0	< 1,0	< 1,0
Peso (escl. cavo di alimentazione)	kg	3,1	3,1	3,1

	GT516	GT517	
Tensione	$V_{AC}$ 230	230	
Potenza assorbita	W 520	550	
Corsa lama (senza carico)	$\text{min}^{-1}$ 1.700	1.700	
Lunghezza lama	cm 61	61	
Separazione lama	mm 20	20	
Tempo di arresto lama	s	< 1,0	< 1,0
Peso (escl. cavo di alimentazione)	kg	3,2	3,2

## Dichiarazione europea di conformità del macchinario

GT450/GT480/GT501/GT502/GT510/GT515/GT516/GT517  
Black & Decker dichiara che i presenti prodotti sono conformi a:

98/37/CE, 89/336/CEE, EN 50144, EN 55014, EN 61000, 2000/14/EC, Tagliasiepe,  $\leq 500$  W, Annex V

Livello di rumorosità, dati conformi alla norma 2000/14/CE:  
 $L_{pA}$  (pressione sonora) 88 dB(A),  $L_{WA}$  (potenza acustica) 101 dB(A),  $L_{WA}$  (garantita) 102 dB(A)

Livello vibrazioni mani/braccia, dati conformi alla norma EN 50144:  $< 2,5$   $\text{m/s}^2$

Kevin Hewitt  
Direttore tecnico prodotti di consumo  
Spennymoor, County Durham DL16 6JG,  
Regno Unito  
1-10-2007

## Garanzia

Certa della qualità dei suoi prodotti, Black & Decker offre una garanzia eccezionale. Il presente certificato di garanzia è complementare ai diritti statutari e non li pregiudica in alcun modo. La garanzia è valida entro il territorio degli Stati membri dell'Unione Europea e dell'EFTA (European Free Trade Area).

Se un prodotto Black & Decker risulta difettoso per qualità del materiale, della costruzione o per mancata conformità entro 24 mesi dalla data di acquisto, Black & Decker garantisce la sostituzione delle parti difettose, provvede alla riparazione dei prodotti se ragionevolmente usurati oppure alla loro sostituzione, in modo da ridurre al minimo il disagio del cliente a meno che:

- ◆ Il prodotto non sia stato destinato ad usi commerciali, professionali o al noleggio;
- ◆ Il prodotto non sia stato usato in modo improprio o scorretto;
- ◆ Il prodotto non abbia subito danni causati da oggetti o sostanze estranee oppure incidenti;
- ◆ Il prodotto non abbia subito tentativi di riparazione non effettuati da tecnici autorizzati né dall'assistenza Black & Decker.

Per attivare la garanzia è necessario esibire la prova comprovante l'acquisto al venditore o al tecnico autorizzato. Per individuare il tecnico autorizzato più vicino, rivolgersi alla sede Black & Decker locale, presso il recapito indicato nel presente manuale. Altrimenti un elenco completo di tutti i tecnici autorizzati Black & Decker e i dettagli completi sui contatti e i servizi post-vendita sono disponibili su Internet presso: **[www.2helpU.com](http://www.2helpU.com)**

I clienti che desiderano registrare il nuovo prodotto Black & Decker e ricevere gli aggiornamenti sui nuovi prodotti e le offerte speciali, sono invitati a visitare il sito Web (**[www.blackanddecker.it](http://www.blackanddecker.it)**). Ulteriori informazioni sul marchio e la gamma di prodotti Black & Decker sono disponibili all'indirizzo **[www.blackanddecker.it](http://www.blackanddecker.it)**

## Gebruik volgens bestemming

Uw Black & Decker heggenschaar is bestemd voor het knippen van heggen, struiken en heesters. Deze machine is uitsluitend bestemd voor consumentengebruik.

## Veiligheidsvoorschriften

- ◆ **Waarschuwing!** Bij het gebruik van elektrische machines dienen ter bescherming tegen brandgevaar, elektrische schokken, letsel en materiële schade altijd gepaste veiligheidsmaatregelen in acht te worden genomen, waaronder de volgende veiligheidsvoorschriften.
- ◆ Lees de gebruiksaanwijzing aandachtig door voordat u met de machine gaat werken.
- ◆ Bewaar deze instructies zorgvuldig!
- ◆ Neem de stekker uit het stopcontact alvorens instellingen, reparaties of onderhoudswerkzaamheden uit te voeren.

### Zorg voor een opgeruimde werkomgeving

Een rommelige werkomgeving leidt tot ongelukken.

### Houd rekening met omgevingsinvloeden

Stel de machine niet bloot aan regen. Gebruik de machine niet in een vochtige of natte omgeving. Zorg dat de werkomgeving goed is verlicht. Gebruik de machine niet op plaatsen waar brand- of explosiegevaar bestaat, b.v. in de buurt van brandbare vloeistoffen of gassen.

### Houd kinderen uit de buurt

Houd kinderen, bezoekers en dieren buiten het werkgebied en laat ze de machine of de elektriciteitskabel niet aanraken.

### Draag geschikte werkkleding

Draag geen wijde kleding of loshangende sieraden. Deze kunnen door de bewegende delen worden gegrepen. Draag bij het werken buitenshuis bij voorkeur rubber werkhandschoenen en schoenen met profielzolen. Houd lang haar bijeen.

### Persoonlijke bescherming

Draag altijd een veiligheidsbril. Draag een gezichts- of stofmasker bij werkzaamheden waarbij stofdeeltjes vrijkomen. Draag gehoorbescherming.

### Bescherming tegen elektrische schokken

Voorkom aanraking van geaarde oppervlakken (bijv. buizen, radiatoren, fornuizen en koelkasten). Elektrische veiligheid kan verder worden verbeterd met behulp van een hooggevoelige (30 mA / 30 mS) reststroomschakelaar (RCD).

### Zorg voor een veilige houding

Zorg altijd voor een juiste, stabiele houding.

### Blijf voortdurend opletten

Houd uw aandacht bij uw werk. Ga met verstand te werk. Gebruik de machine niet als u niet geconcentreerd bent.

### Klem het werkstuk goed vast

Gebruik klemmen of een bankschroef om het werkstuk te fixeren. Dit is veiliger, bovendien kan de machine dan met beide handen worden bediend.

### Sluit de uitrusting van de stofafvoer aan

Indien hulpmiddelen zijn meegeleverd voor de aansluiting van stofafvoer en voorzieningen voor stofopvang, zorg dan dat deze zijn aangesloten en naar behoren worden gebruikt.

### Verwijder sleutels en hulpgereedschappen

Controleer vóór het inschakelen altijd of sleutels en andere hulpgereedschappen zijn verwijderd.

### Verlengsnoeren

Inspecteer voor gebruik het verlengsnoer. Vervang het snoer indien het beschadigd is. Maak bij gebruik buitenshuis uitsluitend gebruik van verlengsnoeren die geschikt zijn voor gebruik buitenshuis. Een Black & Decker verlengsnoer met een lengte tot 30 m kan worden gebruikt zonder verlies van vermogen.

### Gebruik de juiste machine

Het gebruik volgens bestemming is beschreven in deze handleiding. Gebruik geen te lichte machine of hulpstukken voor te zwaar werk. De machine werkt beter en veiliger indien u deze gebruikt voor het beoogde doel. Overbelast de machine niet. Gebruik de machine niet voor doeleinden waarvoor zij niet bestemd is; gebruik een cirkelzaag bijvoorbeeld niet voor het zagen van boomstronken.

**Waarschuwing!** Gebruik ter voorkoming van lichamelijk letsel uitsluitend de in deze gebruiksaanwijzing aanbevolen accessoires en hulpstukken. Gebruik de machine uitsluitend volgens bestemming.

### Controleer de machine op beschadigingen

Controleer de machine voor gebruik op schade. Controleer of alle bewegende delen correct gemonteerd zijn, of er geen onderdelen gebroken zijn, of er geen beschermkappen en schakelaars beschadigd zijn en of er andere gebreken zijn die invloed op de werking van de machine zouden kunnen hebben. Vergewis u ervan dat de machine correct werkt. Gebruik de machine niet als enig onderdeel defect is. Gebruik de machine niet als de aan/uit-schakelaar niet werkt. Defecte onderdelen dienen door een erkend servicecentrum te worden gerepareerd of vervangen. Probeer nooit om de machine zelf te repareren.

### De stekker uit het stopcontact verwijderen

Verwijder de stekker uit het stopcontact als u de machine niet gebruikt, voordat u gereedschappen, accessoires of onderdelen van de machine verwisselt en voordat u onderhoud aan de machine uitvoert.

### Voorkom onbedoeld inschakelen

Draag de machine niet met uw vingers aan de aan/uitschakelaar. Wees ervan verzekerd dat de machine is uitgeschakeld voordat u de stekker in het stopcontact steekt.

### Misbruik het snoer niet

Draag de machine nooit aan het snoer. Trek niet aan het snoer om de stekker uit het stopcontact te verwijderen. Houd het snoer uit de buurt van warmtebronnen, olie en scherpe randen.

### Berg de machine veilig op

Indien niet in gebruik, dienen machines te worden opgeborgen in een droge, afsluitbare of hoge plaats, buiten bereik van kinderen.

### Onderhoud de machine met zorg

Houd snijgereedschappen scherp en schoon om beter en veiliger te kunnen werken. Houdt u aan de instructies met betrekking tot het onderhoud en het vervangen van accessoires. Houd de handgrepen en schakelaars droog en vrij van olie en vet.

### Reparaties

Deze machine voldoet aan de geldende veiligheidseisen. Reparaties mogen uitsluitend worden uitgevoerd door bevoegde vakmensen en met behulp van originele reserveonderdelen; anders kan er een aanzienlijk gevaar voor de gebruiker ontstaan.

### Elektrische veiligheid



Deze machine is dubbel geïsoleerd; een aardaansluiting is daarom niet noodzakelijk. Controleer altijd of uw netspanning overeenkomt met de waarde op het typeplaatje.

- ◆ Dit apparaat is niet bedoeld voor gebruik door jonge of lichamelijk zwakke personen zonder toezicht. Houd toezicht op kinderen om ervoor te zorgen dat zij niet met het apparaat gaan spelen.
- ◆ Indien het netsnoer is beschadigd, dient het ter voorkoming van gevaren te worden vervangen door de fabrikant of een erkend servicecentrum.

### Aanvullende veiligheidsinstructies voor heggenscharen



Draag een veiligheidsbril als u deze machine bedient.



Draag handschoenen als u deze machine bedient.



Draag gehoorbescherming als u deze machine bedient.



Trek onmiddellijk de stekker uit het stopcontact als de kabel beschadigd raakt of wordt doorgeknipt.



Stel de machine niet bloot aan regen of overmatige vochtigheid.

- ◆ Houd de kabel tijdens het gebruik van deze machine uit de buurt van de messen.

- ◆ Als u nooit eerder met een heggenschaar heeft gewerkt, dient u bij voorkeur praktische aanwijzingen te vragen aan een ervaren gebruiker als aanvulling op het bestuderen van deze handleiding.
- ◆ Raak nooit de messen aan terwijl de machine werkt.
- ◆ Probeer nooit om de messen geforceerd tot stilstand te brengen.
- ◆ Zet de machine niet neer voordat de messen volledig tot stilstand zijn gekomen.
- ◆ Controleer de messen regelmatig op beschadiging en slijtage. Gebruik de machine niet als de messen versleten of beschadigd zijn.
- ◆ Vermijd contact met harde voorwerpen (bijv. staaldraad, traliewerk) tijdens het knippen. Indien u per ongeluk een dergelijk voorwerp raakt, dient u de machine onmiddellijk uit te schakelen en op schade te controleren.
- ◆ Indien de machine abnormaal begint te trillen, dient u deze onmiddellijk uit te schakelen en op schade te controleren.
- ◆ Indien de machine vast komt te zitten, dient u deze onmiddellijk uit te schakelen. Trek de stekker uit het stopcontact voordat u de obstakels probeert te verwijderen.
- ◆ Plaats na gebruik de meegeleverde beschermhuls over de messen. Zorg ervoor dat bij het opbergen van de machine de messen beschermd zijn.
- ◆ Zorg er altijd voor dat bij gebruik van deze machine alle veiligheidsvoorzieningen zijn aangebracht. Probeer nooit om een incomplete machine of een machine met niet goedgekeurde aanpassingen te gebruiken.
- ◆ Laat kinderen niet met de machine werken.
- ◆ Let op vallende takken bij het knippen van de hoge kanten van een heg.

### Onderdelen

Al naar gelang de uitvoering beschikt deze machine over de volgende onderdelen.

1. Aan/uit-schakelaar
2. Voorste hendelschakelaar
3. Voorste hendel
4. Beschermkap
5. Mes
6. Beschermhuls
7. Netsnoerklem

Deze heggenschaar heeft de volgende voorzieningen voor uw gemak:

- ◆ Ergonomisch gevormde handgreep voor comfortabel knippen.
- ◆ Machinaal bewerkte bladen voor verbeterde snijverwerking.
- ◆ Dubbelwerkende messen voor het verminderen van trillingen.

## Assemblage

**Waarschuwing!** Zorg vóór aanvang van de montage dat de machine is uitgeschakeld en de netstekker van het lichtnet is losgekoppeld en dat de beschermhuls over de messen is geplaatst.

### Aanbrengen van de beschermkap (fig. A)

- ◆ Plaats het scherm (4) in de groeven (8).
- ◆ Bevestig het scherm met behulp van de twee meegeleverde schroeven (9).

**Waarschuwing!** Gebruik de machine nooit zonder het scherm.

### Aansluiten van de machine op het elektriciteitsnet (fig. B)

Als de machine niet is voorzien van een netkabel, moet u een verlengsnoer op de stekker van de machine aansluiten.

- ◆ Sluit een geschikt verlengsnoer aan op de stekker van de machine.
- ◆ Haal het snoer door de trekontlasting (7), zoals afgebeeld, om te voorkomen dat tijdens gebruik het verlengsnoer losraakt.
- ◆ Steek de stekker in een stopcontact.

**Waarschuwing!** Het verlengsnoer dient geschikt te zijn voor gebruik buitenshuis. Wanneer het verlengsnoer op een haspel zit, rol het snoer dan helemaal af.

## Gebruik

**Waarschuwing!** Laat de machine op haar eigen tempo werken. Niet overbelasten.

- ◆ Geleid de kabel zorgvuldig om te voorkomen dat u deze per ongeluk doorsnijdt. Een goede methode om de kabel te geleiden is door hem over uw schouder te hangen.
- ◆ Voor uw veiligheid is deze machine uitgevoerd met een dubbel schakelsysteem. Dit systeem voorkomt dat de machine per ongeluk wordt ingeschakeld en zorgt ervoor dat er alleen met de machine kan worden gewerkt als deze met beide handen wordt vastgehouden.

## Aan- en uitschakelen

### Inschakelen

- ◆ Houd de voorste handgreep (3) met een hand vast zodat de voorste hendelschakelaar (2) in de romp van de machine is geduwd.
- ◆ Met de andere hand knijpt u de aan/uit-schakelaar (1) in om de machine te starten.

### Uitschakelen

- ◆ Laat de handgreepschakelaar (2) of de aan/uit-schakelaar (1) los.

**Waarschuwing!** Probeer nooit om de schakelaar in de ingeschakelde stand te vergrendelen.

## Tips voor optimaal gebruik

- ◆ Begin met het knippen van de bovenkant van de heg. Houd de machine een beetje schuin (tot 15° ten opzichte van de knijplijn) zodat de bladpunten lichtjes naar de heg wijzen (fig. C1). Hierdoor zullen de messen beter knippen. Houd de machine in de gewenste hoek en beweeg gelijkmatig langs de knijplijn. Door het dubbelzijdige mes kunt u in beide richtingen knippen.
- ◆ Om een mooie rechte lijn te verkrijgen, trekt u een stuk draad op de gewenste hoogte over de lengte van de heg. Gebruik het draad als een richtlijn en knip er iets boven.
- ◆ Om vlakke zijanten te krijgen knipt u naar boven met de groei richting mee. Jongere stammen bewegen naar buiten toe indien u met het mes naar beneden knipt. Dit leidt tot oneffenheden in de heg (fig. C2).
- ◆ Vermijd contact met vreemde voorwerpen. In het bijzonder harde voorwerpen zoals staaldraad en traliwerk, aangezien deze de messen kunnen beschadigen.
- ◆ Olie regelmatig de bladen.

## Wanneer te snoeien

- ◆ De meeste heggen en struiken die hun bladeren verliezen kunnen in juni en oktober worden gesnoeid.
- ◆ Heggen en struiken die altijd groen blijven, kunnen in april en augustus worden gesnoeid.
- ◆ Coniferen en andere snelgroeiende struiken kunnen vanaf mei ongeveer om de 6 weken worden gesnoeid.

## Onderhoud

Dit apparaat is ontworpen om gedurende langere periode te functioneren met een minimum aan onderhoud. Voortdurend tevreden gebruik is afhankelijk van correct onderhoud en regelmatig schoonmaken.

**Waarschuwing!** Zorg vóór aanvang van onderhoudswerkzaamheden dat de machine is uitgeschakeld en de netstekker van het lichtnet is losgekoppeld.

- ◆ Reinig de messen na gebruik zorgvuldig. Breng na reiniging een dunne laag lichte machineolie aan om te voorkomen dat de messen gaan roesten.
- ◆ Reinig regelmatig de ventilatieopeningen van uw machine met een zachte borstel of een droge doek.
- ◆ Reinig regelmatig de behuizing van de motor met een vochtige doek. Gebruik geen schuur- of oplosmiddel.
- ◆ Zorg voor en na het gebruik dat alle schakelaars vrij zijn van vuil.

## Verwijderen van de beschermkap (fig. A)

**Waarschuwing!** Verwijder de beschermkap alleen voor onderhoudsdoeleinden. Breng de beschermkap na het onderhoud altijd weer aan.

- ◆ Draai de schroeven (9) los en verwijder ze.



- ◆ Schuif de beschermkap (4) van de machine.

## Storingen verhelpen

Controleer wanneer het apparaat niet goed werkt het volgende:

Storing	Mogelijke oorzaak	Maatregel
Apparaat start niet.	Gesprongen zekering. RCD uitgeschakeld. Netsnoer niet aangesloten.	Vervang de zekering. Controleer de RCD. Controleer de netspanning.

## Milieu



Gescheiden inzameling. Dit product mag niet met het gewone huishoudelijke afval worden weggegooid.

Wanneer uw oude Black & Deckerproduct aan vervanging toe is of het u niet langer van dienst kan zijn, gooi het dan niet bij het huishoudelijk afval. Zorg ervoor dat het product gescheiden kan worden ingezameld.



Door gebruikte producten en verpakkingen gescheiden in te zamelen, worden de materialen gerecycled en opnieuw gebruikt. Hergebruik van gerecyclede materialen voorkomt milieuvervuiling en vermindert de vraag naar grondstoffen.

Inzamelpunten voor gescheiden inzameling van elektrische huishoudproducten bij gemeentelijke vuilnisbergen of bij de verkoper waar u een nieuw product koopt, kunnen aan plaatselijke voorschriften gebonden zijn.

Black & Decker biedt de mogelijkheid tot inzamelen en recyclen van afgedankte Black & Decker producten. Om gebruik van deze service te maken, dient u het product aan een van onze servicecentra te sturen, die voor ons de inzameling verzorgen.

U kunt het adres van het dichtstbijzijnde servicecentrum opvragen via de adressen op de achterzijde van deze handleiding. U kunt ook een lijst van onze servicecentra en meer informatie m.b.t. onze klantenservice vinden op het volgende Internet-adres: [www.2helpU.com](http://www.2helpU.com)

## Technische gegevens

	GT450	GT480	GT501
Spanning	V <sub>AC</sub> 230	230	230
Opgenomen vermogen	W 450	450	500
Schaarbewegingen (onbelast) min <sup>-1</sup>	1.700	1.700	1.700
Meslengte	cm 42	51	51
Tandsteek	mm 20	20	20

Afremtijd van het mes	s	< 1,0	< 1,0	< 1,0
Gewicht (zonder snoer)	kg	2,9	3,0	3,0

	GT502	GT510	GT515	
Spanning	V <sub>AC</sub> 230	230	230	
Opgenomen vermogen	W 520	500	550	
Schaarbewegingen (onbelast) min <sup>-1</sup>	1.700	1.700	1.700	
Meslengte	cm 55	55	55	
Tandsteek	mm 20	20	20	
Afremtijd van het mes	s	< 1,0	< 1,0	< 1,0
Gewicht (zonder snoer)	kg	3,1	3,1	3,1

	GT516	GT517	
Spanning	V <sub>AC</sub> 230	230	
Opgenomen vermogen	W 520	550	
Schaarbewegingen (onbelast) min <sup>-1</sup>	1.700	1.700	
Meslengte	cm 61	61	
Tandsteek	mm 20	20	
Afremtijd van het mes	s	< 1,0	< 1,0
Gewicht (zonder snoer)	kg	3,2	3,2

## EG-conformiteitsverklaring

GT450/GT480/GT501/GT502/GT510/GT515/GT516/GT517

Black & Decker verklaart dat deze producten in overeenstemming zijn met:

98/37/EG, 89/336/EEG, EN 50144, EN 55014, EN 61000, 2000/14/EC, Heggenschaar, ≤ 500 W, Bijlage V

Niveau van de geluidsdruk, gemeten volgens 2000/14/EG:  
L<sub>PA</sub> (geluidsdruk) 88 dB(A), L<sub>WA</sub> (geluidsvermogen) 101 dB(A),  
L<sub>WA</sub> (gegarandeerd) 102 dB(A)

Trilling op hand/arm volgens EN 50144: < 2,5 m/s<sup>2</sup>

Kevin Hewitt

Director of Consumer Engineering  
Spennymoor, County Durham DL16 6JG,  
Verenigd Koninkrijk  
1-10-2007

## Garantie

Black & Decker heeft vertrouwen in zijn producten en biedt een uitstekende garantie. Deze garantiebepalingen vormen een aanvulling op uw wettelijke rechten en beperken deze niet. De garantie geldt in de lidstaten van de Europese Unie en de Europese Vrijhandelsassociatie.

Mocht uw Black & Decker product binnen 24 maanden na datum van aankoop defect raken tengevolge van materiaal- of constructiefouten, dan garanderen wij de kosteloze vervanging van defecte onderdelen, de reparatie van het product of de vervanging van het product, tenzij:

- ◆ Het product is gebruikt voor handelsdoeleinden, professionele toepassingen of verhuurdoeleinden;
- ◆ Het product onoordeelkundig is gebruikt;
- ◆ Het product is beschadigd door invloeden van buitenaf of door een ongeval;
- ◆ Reparaties zijn uitgevoerd door anderen dan onze servicecentra of Black & Decker personeel.

Om een beroep op de garantie te doen, dient u een aankoopbewijs te overhandigen aan de verkoper of een van onze servicecentra. U kunt het adres van het dichtstbijzijnde servicecentrum opvragen via de adressen op de achterzijde van deze handleiding. U kunt ook een lijst van onze servicecentra en meer informatie m.b.t. onze klantenservice vinden op het volgende Internet-adres: **[www.2helpU.com](http://www.2helpU.com)**

Meld u aan op onze website **[www.blackanddecker.nl](http://www.blackanddecker.nl)** om te worden geïnformeerd over nieuwe producten en speciale aanbiedingen. Verdere informatie over het merk Black & Decker en onze producten vindt u op **[www.blackanddecker.nl](http://www.blackanddecker.nl)**

## Finalidad

Su recortasetos Black & Decker ha sido diseñado para cortar setos, arbustos y zarzas. Esta herramienta está pensada únicamente para uso doméstico.

## Instrucciones de seguridad

- ◆ **¡Atención!** Cuando use herramientas eléctricas, debe seguir siempre las precauciones de seguridad básicas, incluidas las siguientes, a fin de reducir el riesgo de incendios, posibilidad de electrocutarse, lesiones personales y daños materiales.
- ◆ Lea completamente este manual antes de utilizar la herramienta.
- ◆ Mantenga a mano este manual para consultas posteriores.
- ◆ Desenchufe la herramienta de la red antes de realizar cualquier ajuste, reparación o mantenimiento.

### Mantenga limpia el área de trabajo

Un área o un banco de trabajo en desorden aumentan el riesgo de accidentes.

### Tenga en cuenta el entorno del área de trabajo

No exponga herramientas a la humedad. Procure que el área de trabajo esté bien iluminada. No utilice la herramienta donde exista riesgo de incendio o explosión, p. ej. en la proximidad de líquidos o gases inflamables.

### ¡Mantenga alejados a los niños!

No permita que niños, otras personas o animales se acerquen al área de trabajo ni toquen la herramienta o el cable de corriente.

### Vista ropa de trabajo apropiada

No lleve vestidos anchos ni joyas. Estos podrían ser atrapados por piezas en movimiento. Para trabajos en el exterior, se recomienda llevar guantes de goma y calzado de suela antideslizante. Si tiene el pelo largo, téngalo recogido y cubierto.

### Protección personal

Lleve gafas de protección. Utilice una mascarilla si el trabajo ejecutado produce polvo u otras partículas volantes. Lleve protectores para los oídos.

### Protéjase contra la posibilidad de electrocutarse

Evite que su cuerpo haga contacto con objetos conectados a tierra (p. ej. tuberías, radiadores, frigoríficos y electrodomésticos en general). Se puede incrementar la seguridad eléctrica utilizando disyuntores de alta sensibilidad (30 mA / 30 mS) para detectar corrientes de fuga.

### No alargue demasiado su radio de acción

Mantenga un apoyo firme sobre el suelo y conserve el equilibrio en todo momento.

### Esté siempre alerta

Mire lo que está haciendo. Use el sentido común. No maneje la herramienta cuando esté cansado.

## Sujete bien la pieza de trabajo

Utilice abrazaderas o un tornillo para sujetar la pieza de trabajo. Es más seguro que sujetarla con la mano y le permite utilizar ambas manos para manejar la herramienta.

### Conecte los accesorios para la extracción de polvo.

Si se suministran adaptadores para la conexión de accesorios extractores y para el almacenamiento del polvo, asegúrese de que se conectan y utilizan adecuadamente.

### Retire las llaves u otros utensilios fuera del área de trabajo

Antes de poner la herramienta en marcha, asegúrese de que las llaves y utensilios de reglaje hayan sido retirados.

### Cables alargadores

Revise el cable alargador antes de utilizarlo por si presenta desperfectos. Al utilizar las herramientas en exteriores, utilice exclusivamente aquellos cables prolongadores diseñados para estas condiciones. Puede utilizarse un cable alargador Black & Decker de hasta 30 m sin pérdida de potencia.

### Utilice la herramienta adecuada

En este manual se explica para qué uso está destinada la herramienta. No utilice herramientas o dispositivos acoplables de potencia demasiado débil para ejecutar trabajos pesados. La herramienta funcionará mejor y con mayor seguridad al ser utilizada de acuerdo con sus características técnicas.

No fuerce la herramienta. Utilice las herramientas para su uso previsto únicamente; por ejemplo, no use una sierra circular para cortar ramas o troncos de árbol.

**¡Atención!** El uso de otros accesorios, adaptadores, o la propia utilización de la herramienta en cualquier forma diferente de las recomendadas en este manual de instrucciones puede constituir un riesgo de lesiones a las personas.

### Compruebe que no haya piezas averiadas

Antes de usarla, compruebe cuidadosamente que la herramienta y el cable de corriente no presenten desperfectos. Compruebe la posible existencia de piezas móviles mal alineadas o atascadas, la rotura de piezas, el posible daño de protectores e interruptores y cualquier otro aspecto que pueda afectar al funcionamiento de la herramienta. Asegúrese de que la herramienta puede funcionar adecuadamente y cumplir con el cometido para el que ha sido diseñada. No use la herramienta si hay alguna pieza defectuosa o averiada.

No utilice la herramienta si no es posible apagar y encender el interruptor. Encargue al servicio técnico autorizado que repare o sustituya las piezas defectuosas o averiadas. Jamás intente repararla usted mismo.

### Desenchufe la herramienta

Desenchufe la herramienta cuando no esté usando la herramienta, antes de sustituir piezas, accesorios o acoplamientos, y antes de efectuar revisiones.

### Evite un arranque involuntario

Procure no tocar el conmutador de encendido/apagado mientras transporta la herramienta. Asegúrese de que la herramienta esté apagada cuando la enchufe.

## Cuide el cable de alimentación

No arrastre la herramienta tirando del cable, ni tire del cable para desenchufarlo. Proteja el cable del calor, del aceite y de las aristas vivas.

## Guarde las herramientas que no utiliza

Cuando no las utilice, las herramientas deben guardarse en un lugar seco y cerrado o elevado, fuera del alcance de los niños.

## Mantenga las herramientas asiduamente

Mantenga sus herramientas afiladas y limpias para trabajar mejor y más seguro. Siga las instrucciones para el mantenimiento y la sustitución de accesorios. Mantenga los mandos y conmutadores secos, limpios y libres de aceite y grasa.

## Reparaciones

Esta herramienta cumple las normas de seguridad aplicables. Las reparaciones deben llevarse a cabo por personal cualificado, usando piezas de recambio originales; en caso contrario, podría ocasionarse un considerable riesgo para el usuario.

## Seguridad eléctrica



La herramienta lleva un doble aislamiento; por lo tanto no requiere una toma a tierra. Compruebe siempre que la tensión de la red corresponda con el valor indicado en la placa de datos de la herramienta.

- ◆ Este aparato no ha sido concebido para ser utilizado por jóvenes ni personas discapacitadas sin supervisión. Debe vigilarse a los niños para asegurarse de que no jueguen con el aparato.
- ◆ Si el cable eléctrico está estropeado, debe ser sustituido por el fabricante o un servicio técnico autorizado de Black & Decker con el fin de evitar accidentes.

## Instrucciones de seguridad adicionales para recortasetos



Lleve gafas protectoras cuando utilice esta herramienta.



Lleve guantes cuando utilice esta herramienta.



Lleve protectores para los oídos cuando utilice esta herramienta.



Desconecte inmediatamente el cable de la corriente principal si está dañado o cortado



No exponga la herramienta a lluvia o humedad elevada.

- ◆ Mientras utilice esta herramienta, mantenga el cable alejado de las cuchillas.

- ◆ Si nunca ha usado un recortasetos, es preferible que solicite el consejo de algún usuario con experiencia, además de leer con atención este manual.
- ◆ Nunca toque las cuchillas mientras la herramienta esté funcionando.
- ◆ Nunca intente forzar las cuchillas para que se paren.
- ◆ No suelte la herramienta hasta que las cuchillas estén totalmente paradas.
- ◆ Revisar con regularidad las cuchillas por si estuvieran dañadas o desgastadas. No use la herramienta si las cuchillas están desgastadas o dañadas.
- ◆ Procure evitar los objetos duros (p.e. alambres, cercas) cuando esté recortando. En caso de tocar accidentalmente algún objeto de ese tipo, desconecte inmediatamente la herramienta y compruebe si está dañada.
- ◆ Si la herramienta empieza a vibrar de un modo anormal, desconéctela inmediatamente y compruebe si está dañada.
- ◆ Si la herramienta se atasca, desconéctela inmediatamente. Antes de intentar retirar cualquier elemento obstructor, desenchufe la herramienta.
- ◆ Después de usar la herramienta, cubra las cuchillas con la funda incluida. Guarde la herramienta, asegurándose de que la cuchilla no quede expuesta.
- ◆ Siempre que utilice la herramienta asegúrese de que todas las protecciones están ajustadas. Nunca intente utilizar una herramienta incompleta o con modificaciones no autorizadas.
- ◆ No permita que los niños utilicen la herramienta, bajo ningún concepto.
- ◆ Preste atención a los restos que caigan cuando esté cortando los lados más altos del seto.

## Características

Esta herramienta incluye alguna o todas las características siguientes.

1. Interruptor de gatillo
2. Interruptor del mango delantero
3. Mango delantero
4. Protector
5. Cuchilla
6. Funda de cuchilla
7. Sujeción del cable

Para su beneficio, este recortasetos incorpora las características siguientes:

- ◆ Mango con forma ergonómica para un corte cómodo.
- ◆ Cuchillas mecanizadas para un mejor corte.
- ◆ Cuchillas de doble acción para reducir vibraciones.

## Montaje

**¡Atención!** Antes del montaje, asegúrese de que la herramienta esté desconectada y desenchufada y de que la funda de la cuchilla esté instalada sobre éstas.

## Montaje de la protección (fig. A)

- ◆ Coloque la protección (4) en las ranuras (8).
- ◆ Fije la protección empleando los dos tornillos (9) suministrados

¡Atención! No use nunca la herramienta sin la protección.

## Conexión de la herramienta al suministro eléctrico (fig. B)

A menos que la herramienta disponga de un cable de suministro eléctrico, será necesario disponer de un cable alargador para conectarla a la toma de corriente.

- ◆ Conecte el enchufe hembra de un cable alargador adecuado a la entrada de corriente de la herramienta.
- ◆ Enlace el cable a través del limitador (7) como se indica para evitar que se suelte el alargador durante su empleo.
- ◆ Inserte el enchufe eléctrico en una toma de red.

¡Atención! El cable alargador debe ser adecuado para uso en exteriores. Si utiliza una bobina de cable, desenrolle siempre el cable completamente.

## Uso

¡Atención! Deje que la herramienta funcione a su ritmo. No lo sobrecargue.

- ◆ Guíe con cuidado el cable para evitar que se corte de manera accidental. Una buena forma de controlar el cable es colocarlo sobre el hombro
- ◆ Para su seguridad, esta herramienta viene equipada con un sistema de doble interruptor. Este sistema evita que la herramienta se ponga en marcha accidentalmente y permite que funcione únicamente cuando se sujeta con las dos manos.

## Encendido y apagado

### Encendido

- ◆ Sujete el mango delantero (3) con una mano de forma que el interruptor del mango delantero (2) se empuje hacia el cuerpo de la herramienta.
- ◆ Con la otra mano, apriete el interruptor de gatillo (1) para arrancar la herramienta.

### Apagado

- ◆ Suelte el interruptor del mango (2) o el interruptor de gatillo (1).

¡Atención! No intente nunca bloquear el interruptor en la posición de encendido.

## Consejos para un uso óptimo

- ◆ Comience recortando la parte superior del seto. Inclíne un poco la herramienta (unos 15° en relación con la línea de corte) de forma que las puntas de las cuchillas apunten ligeramente hacia el seto (fig. C1).

Esto hará que las cuchillas corten con mayor efectividad. Sujete la herramienta en el ángulo deseado y muévala con firmeza a lo largo de la línea de corte. La cuchilla de doble filo le permite cortar en cualquier dirección.

- ◆ Para lograr un corte muy recto, coloque un cordel a lo largo del seto a la altura deseada. Use el cordel como guía, cortando justo por encima del mismo.
- ◆ Para lograr unos lados lisos, corte hacia arriba en el sentido del crecimiento. Los tallos más jóvenes se mueven hacia fuera cuando la cuchilla corta hacia abajo, ocasionando parches superficiales en el seto (fig. C2).
- ◆ Evite los objetos extraños. En particular, evite los objetos duros como el alambre y las rejas ya que se pueden dañar las cuchillas.
- ◆ Engrase periódicamente las cuchillas.

## Cuando igualar el seto

- ◆ Como regla general, los setos y arbustos de hoja caduca (que sale todos los años) se deben igualar en junio y en octubre.
- ◆ Los setos de hoja perenne se deben igualar en abril y en agosto.
- ◆ Las coníferas y otros arbustos de crecimiento rápido se deben igualar cada 6 semanas aproximadamente, a partir de mayo.

## Mantenimiento

La herramienta ha sido diseñada para que funcione durante un largo período de tiempo con un mantenimiento mínimo. El funcionamiento satisfactorio continuado depende de un cuidado apropiado y una limpieza periódica de la herramienta.

¡Atención! Antes de realizar cualquier tipo de mantenimiento, apague y desenchufe la herramienta.

- ◆ Después de usar la herramienta, limpie con cuidado las cuchillas. Una vez limpias, aplique una fina capa de algún lubricante suave para herramientas para evitar que las cuchillas se oxiden.
- ◆ Limpie periódicamente las ranuras de ventilación de la herramienta con un cepillo suave o un paño seco.
- ◆ Limpie periódicamente la carcasa del motor con un paño húmedo. No utilice ninguna sustancia limpiadora abrasiva o que contenga disolventes.
- ◆ Asegúrese de que no queden residuos en los interruptores antes y después del uso.

## Retirada de la protección (fig. A)

¡Atención! Retire la protección únicamente con fines de mantenimiento o reparación. Siempre coloque de nuevo la protección tras cualquier operación de mantenimiento o reparación.

- ◆ Afloje los tornillos (9) y retírelos.
- ◆ Retire la protección (4) de la herramienta.

## Solución de problemas

Si la herramienta no funciona correctamente, compruebe lo siguiente:

Avería	Causa posible	Acción
La herramienta no se pone en marcha.	Fusible fundido.	Cambie el fusible.
	RCD desconectado	Compruebe RCD.
	Cable eléctrico no conectado.	Compruebe el suministro eléctrico.

## Protección del medio ambiente



Separación de desechos. Este producto no debe desecharse con la basura doméstica normal.

Si llega el momento de reemplazar su producto Black & Decker o éste ha dejado de tener utilidad para usted, no lo deseché con la basura doméstica normal. Asegúrese de que este producto se deseche por separado.



La separación de desechos de productos usados y embalajes permite que los materiales puedan reciclarse y reutilizarse. La reutilización de materiales reciclados ayuda a evitar la contaminación medioambiental y reduce la demanda de materias primas.

La normativa local puede prever la separación de desechos de productos eléctricos de uso doméstico en centros municipales de recogida de desechos o a través del distribuidor cuando adquiere un nuevo producto.

Black & Decker proporciona facilidades para la recogida y el reciclado de los productos Black & Decker que hayan llegado al final de su vida útil. Para hacer uso de este servicio, devuelva su producto a cualquier servicio técnico autorizado, que lo recogerá en nuestro nombre.

Pueden consultar la dirección de su servicio técnico más cercano poniéndose en contacto con la oficina local de Black & Decker en la dirección que se indica en este manual. Como alternativa, puede consultar en Internet la lista de servicios técnicos autorizados e información completa de nuestros servicios de posventa y contactos en la siguiente dirección: [www.2helpu.com](http://www.2helpu.com)

### Características técnicas

	GT450	GT480	GT501
Voltaje	V <sub>AC</sub> 230	230	230
Potencia absorbida	W 450	450	500
Cortes de la cuchilla (sin carga)	min <sup>-1</sup> 1.700	1.700	1.700
Longitud de la cuchilla	cm 42	51	51

Separación de la cuchilla	mm 20	20	20
Tiempo de frenado de la cuchilla	s < 1,0	< 1,0	< 1,0
Peso (sin incluir cable eléctrico)	kg 2,9	3,0	3,0

	GT502	GT510	GT515
Voltaje	V <sub>AC</sub> 230	230	230
Potencia absorbida	W 520	500	550
Cortes de la cuchilla (sin carga)	min <sup>-1</sup> 1.700	1.700	1.700
Longitud de la cuchilla	cm 55	55	55
Separación de la cuchilla	mm 20	20	20
Tiempo de frenado de la cuchilla	s < 1,0	< 1,0	< 1,0
Peso (sin incluir cable eléctrico)	kg 3,1	3,1	3,1

	GT516	GT517
Voltaje	V <sub>AC</sub> 230	230
Potencia absorbida	W 520	550
Cortes de la cuchilla (sin carga)	min <sup>-1</sup> 1.700	1.700
Longitud de la cuchilla	cm 61	61
Separación de la cuchilla	mm 20	20
Tiempo de frenado de la cuchilla	s < 1,0	< 1,0
Peso (sin incluir cable eléctrico)	kg 3,2	3,2

## Declaración de conformidad CE

GT450/GT480/GT501/GT502/GT510/GT515/GT516/GT517

Black & Decker declara que estos productos cumplen las normas siguientes:

98/37/CE, 89/336/CEE, EN 50144, EN 55014, EN 61000, 2000/14/CE, Recortasetos, ≤ 500 W, Anexo V

Nivel de la presión acústica, medida según 2000/14/CE:  
L<sub>pA</sub> (presión de sonido) 88 dB(A), L<sub>WA</sub> (potencia acústica) 101 dB(A), L<sub>WA</sub> (garantizado) 102 dB(A)

Valor de la vibración ponderada en mano/brazo según EN 50144: < 2,5 m/s<sup>2</sup>

Kevin Hewitt  
Director de Ingeniería del Consumidor  
Spennymoor, County Durham DL16 6JG,  
Reino Unido  
1-10-2007

## Garantía

Black & Decker confía plenamente en la calidad de sus productos y ofrece una garantía extraordinaria. Esta declaración de garantía es una añadido, y en ningún caso un perjuicio para sus derechos estatutarios. La garantía es válida dentro de los territorios de los Estados Miembros de la Unión Europea y de los de la Zona Europea de Libre Comercio.

Si un producto Black & Decker resultará defectuoso debido a materiales o mano de obra defectuosos o a la falta de conformidad, Black & Decker garantiza, dentro de los 24 meses de la fecha de compra, la sustitución de las piezas defectuosas, la reparación de los productos sujetos a un desgaste y rotura razonables o la sustitución de tales productos para garantizar al cliente el mínimo de inconvenientes, a menos que:

- ◆ El producto haya sido utilizado con propósitos comerciales, profesionales o de alquiler;
- ◆ El producto haya sido sometido a un uso inadecuado o negligente;
- ◆ El producto haya sufrido daños causados por objetos o sustancias extrañas o accidentes;
- ◆ Se hayan realizado reparaciones por parte de personas que no sean los servicios de reparación autorizados o personal de servicios de Black & Decker.

Para reclamar en garantía, será necesario que presente la prueba de compra al vendedor o al servicio técnico de reparaciones autorizado. Pueden consultar la dirección de su servicio técnico más cercano poniéndose en contacto con la oficina local de Black & Decker en la dirección que se indica en este manual. Como alternativa, se puede consultar en Internet, en la dirección siguiente, la lista de servicios técnicos autorizados e información completa de nuestros servicios de postventa y contactos: **[www.2helpU.com](http://www.2helpU.com)**

Visite nuestro sitio web **[www.blackanddecker.eu](http://www.blackanddecker.eu)** para registrar su nuevo producto Black & Decker y mantenerse al día sobre nuestros productos y ofertas especiales. Encontrará información adicional sobre la marca Black & Decker y nuestra gama de productos en **[www.blackanddecker.eu](http://www.blackanddecker.eu)**

## Utilização

O seu corta-sebes Black & Decker foi concebido para cortar sebes, arbustos e ramagens. Esta ferramenta destina-se apenas ao doméstico.

## Instruções de segurança

- ◆ **Aviso!** Ao utilizar ferramentas eléctricas, é preciso seguir sempre as precauções básicas para a segurança, incluindo as detalhadas a seguir, para diminuir os riscos de incêndio, choque eléctrico, ferimentos pessoais e danos materiais.
- ◆ Leia atentamente este manual antes de utilizar a ferramenta.
- ◆ Guarde este manual para futura consulta.
- ◆ Remova a ficha da tomada antes de efectuar qualquer ajuste, reparação ou manutenção.

### Mantenha a área de trabalho arrumada

Áreas de trabalho desarrumadas podem implicar ferimentos.

### Cuide do ambiente da área de trabalho

Não deve expôr ferramentas eléctricas à chuva, nem usá-las em locais húmidos ou molhados.

Mantenha a área de trabalho bem iluminada. Não utilize a ferramenta onde haja risco de fogo ou explosão, p.ex. em presença de líquidos ou gases inflamáveis.

### Mantenha as crianças afastadas

Não permita que crianças, visitantes ou animais cheguem perto da área de trabalho ou toquem na ferramenta ou no cabo eléctrico.

### Vista-se adequadamente

Não use roupas folgadas nem bijuteria pois podem ficar presas nas partes móveis da máquina. Quando se trabalha no exterior, aconselha-se o uso de luvas de borracha e de calçado antiderrapante. Se tiver o cabelo comprido apanhe-o ou use uma protecção.

### Protecção pessoal

Utilize óculos de protecção. Utilize óculos e máscara de protecção sempre que as operações possam produzir poeiras ou partículas que voem.

### Tenha cuidado com os choques eléctricos

Evite tocar em superfícies aterradas ou ligadas à terra, como por exemplo: canos, radiadores, fogões e frigoríficos.

A segurança eléctrica pode ser melhorada mediante o uso de dispositivos de corrente residual (RCD) de alta sensibilidade (30 mA / 30 mS).

### Não se incline demasiadamente

Mantenha-se numa posição de pé e bem equilibrada.

### Mantenha-se atento

Dê atenção ao que vai fazendo. Seja cuidadoso.

Não utilize ferramentas quando estiver cansado.

### Fixe a peça a trabalhar

Utilize grampos ou um tomo para segurar as peças de trabalho. É mais seguro e permite manter as duas mãos livres para trabalhar.

### Coloque o equipamento de extracção de poeiras

Caso sejam fornecidos os dispositivos para a extracção e colecta de poeiras, assegure-se de que os mesmos estão correctamente ligados e são bem utilizados.

### Retire as chaves de aperto

Verifique sempre se as chaves de aperto foram retiradas da ferramenta antes de a utilizar.

### Extensões eléctricas

Antes de iniciar o uso, verifique o estado da extensão eléctrica e substitua-a se estiver danificada. Ao utilizar a ferramenta no exterior, utilize apenas extensões adequadas para este tipo de uso. Pode ser utilizado um cabo de extensão Black & Decker de 30 m.

### Utilize a ferramenta correcta

Neste manual indicam-se as aplicações da ferramenta.

Não force pequenas ferramentas ou acessórios para fazer o trabalho numa ferramenta forte. A ferramenta trabalhará melhor e de uma maneira mais segura se for utilizada para o efeito indicado. Não force a ferramenta. Não utilize a ferramenta para fins diferentes dos previstos. Por exemplo, não utilize as serras circulares para cortar ramos de árvore ou lenha.

**Aviso!** O uso de qualquer acessório ou da própria ferramenta, além do que é recomendado neste manual de instruções pode constituir um risco para a segurança do utilizador.

### Verifique se há peças danificadas.

Antes de a utilizar, verifique cuidadosamente se a ferramenta e o cabo eléctrico não estão danificados. Verifique o tamanho das peças móveis e se as mesmas estão alinhadas; verifique se há alguma peça partida, se as protecções e os interruptores estão danificados, bem como quaisquer outras condições que possam afectar o funcionamento da ferramenta. Assegure-se de que a ferramenta funciona correctamente e de que está a desempenhar as funções para as quais foi projectada. Não utilize a ferramenta se houver alguma peça defeituosa. Não utilize a ferramenta se o interruptor de ligar/desligar não estiver a funcionar. Qualquer peça defeituosa deve ser reparada ou substituída por um técnico autorizado. Nunca tente efectuar qualquer reparação por sua conta.

### Desligue a ferramenta

Desligue a ferramenta quando não estiver em uso, antes de trocar qualquer peça da ferramenta, acessórios ou dispositivos e antes de a enviar para os serviços técnicos.

### Evite ligar sem intenção

Não transporte a ferramenta com um dedo sobre o interruptor de ligar/desligar. Assegure-se de que a ferramenta está desligada quando for ligá-la à tomada.



### Não force o cabo eléctrico

Nunca transporte a ferramenta pelo cabo ou puxe o mesmo para retirá-lo da tomada. Proteja o cabo contra o calor e evite o contacto com óleo e objectos cortantes.

### Guarde as ferramentas que não estiverem a ser utilizadas.

Quando não estiver em uso, as ferramentas deverão ser armazenadas em local seco, fechado ou alto, fora do alcance das crianças.

### Cuide das suas ferramentas com atenção

Mantenha as ferramentas cortantes afiadas e limpas para um melhor e mais seguro desempenho. Siga as instruções para a manutenção e a troca de acessórios. Mantenha os punhos e os interruptores secos, limpos e isentos de óleo e gordura.

### Reparações

Esta ferramenta cumpre os requisitos de segurança pertinentes. As reparações devem ser realizadas somente por pessoas qualificadas e as peças de reposição devem ser originais. A não observância disso poderá resultar em perigos consideráveis para os utilizadores.

### Segurança eléctrica



Esta ferramenta está duplamente vedada; assim não é necessário fio de terra. Certifique-se sempre de que o fornecimento de energia corresponde à voltagem indicada na placa de especificações.

- ◆ Este aparelho não se destina a ser utilizado por jovens nem por pessoas enfermas sem supervisão. As crianças deverão ser vigiadas para que não mexam no aparelho.
- ◆ Se o cabo de alimentação estiver danificado, deverá ser substituído pelo fabricante ou por um Centro de Assistência autorizado pela Black & Decker, de modo a evitar perigos.

### Instruções adicionais de segurança para corta-sebes



Utilize óculos de segurança durante o funcionamento da ferramenta.



Utilize luvas.



Utilize protector de ouvidos.



Desligue o cabo da tomada imediatamente se o mesmo estiver danificado ou cortado.



Não exponha a ferramenta à chuva e humidade excessiva.

- ◆ Mantenha o cabo longe das lâminas enquanto estiver a utilizar a ferramenta.

- ◆ Se você não utilizou um corta-sebes anteriormente, é preferível que peça instruções de uso a um utilizador experimentado além de estudar este manual.
- ◆ Nunca toque as lâminas enquanto a ferramenta estiver a funcionar.
- ◆ Nunca tente forçar a paralisação das lâminas.
- ◆ Não largue a ferramenta enquanto as lâminas não estiverem completamente paralisadas.
- ◆ Verifique se as lâminas estão danificadas ou desgastadas regularmente. Não utilize a ferramenta quando as lâminas estiverem gastas ou danificadas.
- ◆ Tome cuidado para evitar objectos duros (ex. cabo de metal, grades) enquanto estiver a cortar. Se atingir acidentalmente tais objectos, desligue imediatamente a ferramenta e verifique se há algum dano.
- ◆ Se a ferramenta começar a vibrar de maneira anormal, desligue-a imediatamente e verifique se há algum dano.
- ◆ Se a ferramenta parar, desligue-a imediatamente. Desligue a ferramenta antes de tentar remover qualquer obstrução.
- ◆ Após o uso, coloque o estojo de lâmina fornecido sobre as lâminas. Ao guardar a ferramenta, certifique-se de que a lâmina não fique exposta.
- ◆ Assegure-se sempre de que todos os resguardos de protecção estejam encaixados ao utilizar a ferramenta. Nunca tente utilizar ferramentas incompletas ou que contenham modificações não autorizadas.
- ◆ Não deixe que as crianças utilizem a ferramenta.
- ◆ Tenha em atenção à queda de detritos aquando do corte de sebes grandes.

### Características

Esta ferramenta inclui algumas ou todas as seguintes características.

1. Gatilho
2. Interruptor do punho frontal
3. Punho frontal
4. Resguardo
5. Lâmina
6. Estojo da lâmina
7. Retentor do cabo

Este corta-sebes tem as seguintes funções:

- ◆ Punhos ergonómicos para um corte confortável.
- ◆ Lâminas maquinadas para um corte aperfeiçoado.
- ◆ Lâminas de dupla acção para uma vibração reduzida.

### Montagem

**Advertência!** Antes da montagem, certifique-se de que a ferramenta está desligada e desconectada da rede eléctrica e de que o estojo da lâmina está colocado sobre as lâminas.

## Instalação do resguardo de protecção (fig. A)

- ◆ Encaixe o resguardo de protecção (4) nas ranhuras (8).
- ◆ Fixe o resguardo com os dois parafusos (9) fornecidos.

**Advertência!** Nunca utilize a ferramenta sem o resguardo.

## Ligação da ferramenta à rede eléctrica (fig. B)

A menos que a ferramenta disponha de um cabo para ligação eléctrica, será preciso utilizar um cabo de extensão para ligá-la à tomada.

- ◆ Ligue a ficha fêmea de uma extensão eléctrica adequada à tomada de alimentação da ferramenta.
- ◆ Enrole o cabo no retentor (7) conforme mostrado para evitar que o cabo de extensão se solte durante o uso.
- ◆ Ligue a ficha à tomada de parede.

**Advertência!** O cabo de extensão deve ser adequado para uso em ambientes externos. No caso de se usar uma bobina, desenrole o cabo todo.

## Utilização

**Advertência!** Deixe que a ferramenta funcione à vontade.

Não o sobrecarregue.

- ◆ Guie o cabo cuidadosamente para evitar cortá-lo acidentalmente. Uma boa maneira de controlar o cabo consiste em colocá-lo sobre os ombros.
- ◆ Para sua segurança, esta ferramenta está equipada com um sistema de comutação duplo. Este sistema evita que a ferramenta entre em funcionamento inadvertidamente e apenas permitirá o seu funcionamento quando a ferramenta estiver segura com as duas mãos.

## Como ligar e desligar a ferramenta

### Activação

- ◆ Segure punho frontal (3) com uma mão de modo a que o interruptor do punho frontal (2) seja empurrado em direcção ao corpo da ferramenta.
- ◆ Com a outra mão, prima o gatilho (1) para ligar a ferramenta.

### Desactivação

- ◆ Solte o interruptor do punho (2) ou o gatilho (1).

**Advertência!** Nunca tente bloquear o interruptor na posição de ligado.

## Sugestões para uma melhor utilização

- ◆ Comece por cortar o topo da sebe. Incline ligeiramente a ferramenta (até 15° relativamente à linha de corte) de maneira que a lâmina se incline ligeiramente em direcção à sebe (fig. C1). Isto fará com que as lâminas cortem mais eficazmente. Segure a ferramenta no ângulo desejado e mova-a firmemente junto à linha de corte. A lâmina de dois lados permite o corte em qualquer direcção.

- ◆ De modo a obter um corte bem recto, estique um pedaço de cordão ao longo do comprimento da sebe na altura desejada. Utilize o cordão como linha de direcção, cortando logo acima dele.
- ◆ De modo a obter lados planos, corte para cima com o crescimento. Os troncos jovens afastam-se quando a lâmina corta para baixo, causando partes rasas na sebe (fig. C2).
- ◆ Tome cuidado para evitar qualquer objecto estranho. Evite especialmente objectos duros tais como cabo de metal e grades, uma vez que estes podem danificar as lâminas.
- ◆ Lubrifique regularmente as lâminas.

## Quando cortar

- ◆ Como guia geral, sebes e arbustos com folhas sazonais (novas todos os anos) podem ser aparadas em Junho e Outubro.
- ◆ As sebes de folha permanente podem ser aparadas em Abril e Agosto.
- ◆ As sebes de crescimento rápido podem ser acertadas de seis em seis semanas, a partir do mês de Maio.

## Manutenção

Esta ferramenta foi desenvolvida para funcionar por um longo período de tempo, com o mínimo de manutenção.

O funcionamento contínuo e satisfatório depende de limpeza regular e de manutenção adequada.

**Advertência!** Antes de qualquer procedimento de manutenção, desligue a ferramenta no interruptor e retire a ficha da tomada.

- ◆ Após o uso, limpe as lâminas cuidadosamente. Após a limpeza, aplique uma película de óleo de máquina para evitar que as lâminas enferrujem.
- ◆ Limpe regularmente as ranhuras de ventilação da ferramenta utilizando uma escova suave ou um pano seco.
- ◆ Limpe regularmente o compartimento do motor utilizando um pano húmido. Não utilize nenhum detergente abrasivo nem à base de solvente.
- ◆ Certifique-se de que todos os interruptores estão livres de detritos antes e após a utilização da ferramenta.

## Remoção do resguardo de protecção (fig. A)

**Advertência!** Retire o resguardo apenas para assistência técnica. Nunca se esqueça de voltar a colocar o resguardo no final da assistência técnica.

- ◆ Desaperte os parafusos (9) e retire-os.
- ◆ Empurre o resguardo de protecção (4) para fora da ferramenta.

## Resolução de problemas

Se a ferramenta não funcionar correctamente, verifique o seguinte.

Falha	Possível causa	Solução
A ferramenta não funciona.	Fusível queimado.	Substitua o fusível.
	Falha no dispositivo de corrente residual (RCD).	Verifique este dispositivo. Verifique a fonte de alimentação.
	A corrente não está ligada.	

## Protecção do meio ambiente



Recolha em separado. Não deve deitar este produto fora juntamente com o lixo doméstico normal.

Caso chegue o momento em que um dos seus produtos Black & Decker precise de ser substituído ou decida desfazer-se do mesmo, não o deite fora juntamente com o lixo doméstico. Torne este produto disponível para uma recolha em separado.



A recolha em separado de produtos e embalagens utilizados permite que os materiais sejam reciclados e reutilizados. A reutilização de materiais reciclados ajuda a evitar a poluição ambiental e a reduzir a procura de matérias-primas.

Os regulamentos locais poderão providenciar a recolha em separado de produtos eléctricos junto das casas, em lixeiras municipais ou junto dos fornecedores ao adquirir um novo produto.

A Black & Decker oferece um serviço de recolha e reciclagem de produtos Black & Decker que tenha atingido o fim das suas vidas úteis. Para tirar proveito deste serviço, devolva seu produto a qualquer agente de reparação autorizado, que se encarregará de recolher o equipamento em nosso nome.

Para verificar a localização do agente de reparação mais próximo de si, contacte o escritório local da Black & Decker no endereço indicado neste manual. Se preferir, consulte a lista de agentes autorizados da Black & Decker e os dados completos dos nossos serviços de atendimento pós-venda na Internet no endereço: [www.2helpU.com](http://www.2helpU.com)

## Dados técnicos

	GT450	GT480	GT501
Voltagem	V <sub>AC</sub> 230	230	230
Potência	W 450	450	500
Movimentos da lâmina (sem carga)	min <sup>-1</sup> 1.700	1.700	1.700
Comprimento da lâmina	cm 42	51	51
Distância entre lâminas	mm 20	20	20

Tempo de travagem da lâmina	s	< 1,0	< 1,0	< 1,0
Peso (excl. cabo de alimentação)	kg	2,9	3,0	3,0

	GT502	GT510	GT515	
Voltagem	V <sub>AC</sub> 230	230	230	
Potência	W 520	500	550	
Movimentos da lâmina (sem carga)	min <sup>-1</sup> 1.700	1.700	1.700	
Comprimento da lâmina	cm 55	55	55	
Distância entre lâminas	mm 20	20	20	
Tempo de travagem da lâmina	s	< 1,0	< 1,0	< 1,0
Peso (excl. cabo de alimentação)	kg	3,1	3,1	3,1

	GT516	GT517	
Voltagem	V <sub>AC</sub> 230	230	
Potência	W 520	550	
Movimentos da lâmina (sem carga)	min <sup>-1</sup> 1.700	1.700	
Comprimento da lâmina	cm 61	61	
Distância entre lâminas	mm 20	20	
Tempo de travagem da lâmina	s	< 1,0	< 1,0
Peso (excl. cabo de alimentação)	kg	3,2	3,2

## Declaração de conformidade CE

GT450/GT480/GT501/GT502/GT510/GT515/GT516/GT517

A Black & Decker declara que estes produtos estão em conformidade com a:

98/37/CE, 89/336/CEE, EN 50144, EN 55014, EN 61000, 2000/14/CE, Corta-sebes, ≤ 500 W, Anexo V

Nível de potência sonora, medido de acordo com a norma 2000/14/CE:

L<sub>PA</sub> (pressão acústica) 88 dB(A), L<sub>WA</sub> (potência acústica) 101 dB(A), L<sub>WA</sub> (com garantia) 102 dB(A)

Valor de vibração calculado na mão/braço de acordo com a norma EN 50144: < 2,5 m/s<sup>2</sup>

Kevin Hewitt

Director de Engenharia do Consumo  
Spennymoor, County Durham DL16 6JG,

Reino Unido

1-10-2007

## Garantia

A Black & Decker confia na qualidade de seus produtos e oferece um programa de garantia excelente. Esta declaração de garantia soma-se aos seus direitos legais e não os prejudica em nenhum aspecto. A garantia será válida nos territórios dos Estados Membros da União Europeia e na Área de Livre Comércio da Europa.

Caso algum produto da Black & Decker apresente avarias devido a defeitos de material, mão-de-obra ou ausência de conformidade no prazo de 24 meses a partir da data de compra, a Black & Decker garantirá a substituição das peças defeituosas, a reparação dos produtos que foram submetidos a uso adequado e remoção ou substituição dos mesmos para assegurar o mínimo de inconvenientes ao cliente a menos que:

- ◆ O produto tenha sido utilizado para fins comerciais, profissionais ou aluguer;
- ◆ O produto tenha sido submetido a uso incorrecto ou descuido;
- ◆ O produto tenha sofrido danos causados por objectos estranhos, substâncias ou acidentes;
- ◆ Tenha um histórico de reparações efectuadas por terceiros que não sejam os agentes autorizados ou profissionais de manutenção da Black & Decker.

Para activar a garantia, será necessário enviar a prova de compra ao revendedor ou agente de reparação autorizado. Para verificar a localização do agente de reparação mais próximo de si contacte o escritório local da Black & Decker no endereço indicado neste manual. Se preferir, consulte a lista de agentes autorizados da Black & Decker e os dados completos de nossos serviços de atendimento pós-venda na Internet no endereço: **[www.2helpU.com](http://www.2helpU.com)**

Visite o nosso website **[www.blackanddecker.eu](http://www.blackanddecker.eu)** para registar o seu novo produto Black & Decker e para se manter actualizado sobre novos produtos e ofertas especiais. Estão disponíveis mais informações sobre a Black & Decker e sobre a nossa gama de produtos em **[www.blackanddecker.eu](http://www.blackanddecker.eu)**

## Användningsområde

Din Black & Decker häcksax är konstruerad för klippning av häckar, buskar och snår. Verktöget är endast avsett som konsumentverktyg.

## Säkerhetsinstruktioner

- ◆ **Varning!** När man använder elverktyg är det viktigt att man bl.a. följer nedanstående säkerhetsanvisningar för att minska risken för brand, elektriska stötar, personskador och materialskador.
- ◆ Spara bruksanvisningen lättillgängligt.
- ◆ Ta ut kontakten ur vägguttaget före inställningar, service eller underhåll.

## Håll arbetsområdet i ordning

Nedskräpade ytor och arbetsbänkar inbjuder till skador.

### Tänk på arbetsmiljöns inverkan

Utsätt inte verktöget för regn. Använd inte verktöget på fuktiga eller våta platser. Ha bra belysning över arbetsytan. Använd inte verktöget där det finns risk för eldsvåda eller explosion, t.ex. i närheten av lättantändliga vätskor eller gaser.

### Utom räckhåll för barn

Tillåt inte barn, besökande eller djur att komma i närheten av arbetsplatsen eller att röra vid verktöget eller sladden.

### Klä dig rätt

Bär inte löst hängande kläder eller smycken. De kan fastna i rörliga delar. Gummihandskar och halkfria skor rekommenderas vid utomhusarbeten. Använd hårnät om du har långt hår.

### Skyddskläder

Använd alltid skyddsglasögon. Använd ansiktsmask om arbetet förorsakar damm eller partiklar i luften. Använd hörselskydd.

### Eliminera risken för elektriska stötar

Undvik kroppskontakt med jordade ytor (t.ex. rör, värmeelement, vattenkokare och kylskåp). Elsäkerheten kan förbättras ytterligare genom användning av en jordfelsbrytare med hög känslighet (30 mA/30 mS).

### Sträck dig inte för mycket

Se till att du alltid har säkert fötäfte och balans.

### Var uppmärksam

Titta på det du gör. Använd sunt förnuft. Använd inte verktöget när du är trött.

### Sätt fast arbetsstycket

Använd skruvtvingar eller ett skruvstycke för att hålla fast arbetsstycket. Det är säkrare än att använda handen och du får bägge händerna fria för arbetet.

### Anslut dammsugningsutrustning

Om möjligheter finns för anslutning av utrustning för dammsugning och dammuppsamling ska sådan utrustning anslutas och användas på korrekt sätt. OBS! Anslut endast grovsugare.

## Tag bort nycklar

Kontrollera att nycklar och justerverktyg har tagits bort från verktöget innan det startas.

## Förlängningssladdar

Kontrollera förlängningssladden innan den används. Byt ut den om det behövs. Om verktöget används utomhus ska bara förlängningssladdar som är avsedda för utomhusbruk användas. Förlängningssladd upp till 30 meter kan användas utan att effekten avtar.

## Använd rätt verktyg

Använd inte verktyg för ändamål de inte är avsedda för. Tvinga inte verktöget att göra arbeten som är avsedda för kraftigare verktyg. Använd endast tillbehör och tillsatser som är rekommenderade i bruksanvisningen och katalogerna. Överbelasta inte verktöget. Använd till exempel inte cirkelsågar för att såga grenar eller ved.

**Varning!** Användning av annat verktyg eller tillbehör kan innebära risk för personskada.

## Kontrollera verktöget för skador

Kontrollera verktöget och sladden för skador innan du använder verktöget. Kontrollera att de rörliga delarna inte har fastnat eller är felmonterade. Kontrollera även att övriga delar och skydd inte är skadade och att det inte föreligger några andra fel som kan påverka verktögets funktion. Kontrollera att verktöget fungerar riktigt och kan utföra de avsedda funktionerna. Använd inte verktöget om fel uppstått på någon av dess delar. Använd inte verktöget om det inte kan kopplas till och från med strömbrytaren. Om fel uppstår skall delarna repareras eller bytas ut av en auktoriserad Black & Decker serviceverkstad. Försök aldrig reparera verktöget själv.

## Dra ur kontakten

Tag ur kontakten när verktöget inte är i bruk samt före byte av någon del av verktöget, tillbehör eller verktögsfästen eller innan serviceåtgärder utförs.

## Undvik oavsiktlig start

Bär aldrig verktöget med ett finger på strömbrytaren. Kontrollera att verktöget är avstängt innan du sätter i kontakten.

## Misshandla inte sladden

Bär aldrig verktöget i sladden och använd inte sladden för att dra ut kontakten. Utsätt inte sladden för värmekällor, olja eller skarpa kanter.

## Förvara verktyg säkert

När verktöget inte används ska det förvaras på ett torrt ställe, som antingen är låst eller högt beläget så att barn inte kan komma åt det.

## Sköt verktöget med omsorg

Håll verktöget rent och använd skarpa tillbehör för bättre prestanda och säkrare drift. Följ instruktionerna beträffande skötsel och byte av tillbehör. Håll handtagen och strömbrytare torra, rena och fria från olja och fett.

## Reparationer

Detta verktyg uppfyller gällande säkerhetskrav. Reparationer ska utföras av en auktoriserad Black & Decker serviceverkstad som använder originaldelar, annars kan användaren utsättas för stor fara.

## Elektrisk säkerhet



Eftersom verktyget är dubbelisolerat behövs ingen jordledare. Kontrollera alltid att spänningen på nätet överensstämmer med den spänning som finns angiven på märkplåten.

- ◆ Ungdomar eller personer med svag hälsa ska inte använda verktyget utan tillsyn. Håll uppsyn så att inga barn leker med apparaten.
- ◆ Om nätsladden är skadad måste den bytas ut av tillverkaren eller en godkänd Black & Deckerserviceverkstad för att undvika en risksituation.

## Extra säkerhetsföreskrifter för häcksaxar



Använd skyddsglasögon under arbetet med maskinen.



Använd handskar under arbetet med maskinen.



Använd hörselskydd under arbetet med maskinen.



Drag ut kontakten genast om sladden är skadad.



Undvik att exponera verktyget för regn och hög luftfuktighet.

- ◆ Håll sladden undan från knivarna när du använder verktyget.
- ◆ Om du aldrig har använt en häcksax förut rekommenderar vi att du ber en erfaren användare om praktiska råd, förutom att du noga läser igenom bruksanvisningen.
- ◆ Rör aldrig knivarna när verktyget är i drift.
- ◆ Försök aldrig tvinga knivarna att stanna.
- ◆ Lägg aldrig ifrån dig verktyget innan knivarna har stannat helt.
- ◆ Kontrollera knivarna regelbundet så att de inte blivit skadade eller slitna. Använd inte verktyget om knivarna är utslitna eller skadade.
- ◆ Var försiktig och undvik hårda föremål (t ex metalltrådar eller staket) när du klipper. Om du oavsiktligt stöter på hårda föremål skall verktyget omedelbart stängas av och eventuella skador undersökas.

- ◆ Om verktyget börjar vibrera onormalt skall det omedelbart stängas av och eventuella skador undersökas.
- ◆ Om verktyget fastnar, stäng av det omedelbart. Drag ut kontakten innan du tar bort föremål som fastnar.
- ◆ Sätt på det medföljande knivskyddet på kniven efter arbetets slut. Se till att kniven är övertäckt när du ställer undan verktyget.
- ◆ Se alltid till att alla skydd är monterade när du använder verktyget. Försök aldrig använda ett verktyg där delar saknas eller otillåtna ändringar har utförts.
- ◆ Låt aldrig barn använda verktyget.
- ◆ Tänk på fallande rester när du klipper sidorna av en hög häck.

## Detaljbeskrivning

Verktyget har en del eller samtliga av nedanstående funktioner.

1. Strömbrytare
2. Främre säkerhetsströmbrytare
3. Främre handtag
4. Skydd
5. Blad
6. Bladskydd
7. Sladdhållare

Denna häcksax bjuder dig följande egenskaper:

- ◆ Ergonomiskt utformade handtag för bekvämt arbete.
- ◆ Maskinskurna blad för bättre skärtyta.
- ◆ Dubbelverkande knivar för reducerad vibration.

## Montering

**Varning!** Kontrollera före montering att verktyget är avstängt, kontakten utdragen och bladskyddet på plats över knivarna.

### Montering av skyddet (fig. A)

- ◆ Placera skyddet (4) i spåren (8).
- ◆ Sätt fast skyddet med de båda bifogade skruvarna (9).

**Varning!** Använd aldrig verktyget utan skyddet.

### Koppling till elnätet (fig. B)

Om verktyget inte är försett med en nätsladd, måste en förlängningssladd kopplas till eluttaget.

- ◆ Anslut honkontakten på en lämplig förlängningssladd till verktygets eluttag.
- ◆ För sladden genom kabelhållaren (7) enligt bilden för att undvika att förlängningssladden lossnar under bruk.
- ◆ Sätt nätkontakten i ett vägguttag.

**Varning!** Förlängningssladden måste vara avsedd för utomhusbruk. Vid bruk av en sladdvinda ska alltid hela sladden lindas av.

## Användning

**Varning!** Överbelasta inte maskinen, låt den arbeta i sin egen takt.

- ◆ Var noga med hur du leder sladden så att du inte råkar skära i den. Ett bra sätt att ha kontroll över sladden är att lägga den över axeln.
- ◆ Av säkerhetsskäl är verktyget försett med ett dubbelt start/stoppsystem. Detta system förhindrar oavsiktlig start och innebär att häcksaxen måste manövreras med båda händerna för att fungera.

## Start och stopp

### Start

- ◆ Grip det främre handtaget (3) med den ena handen så att handtagets strömbrytare (2) trycks in i verktygets hölje.
- ◆ Tryck med den andra handen in avtryckarströmbrytaren (1) för att starta verktyget.

### Avstängning

- ◆ Släpp greppströmbrytaren (2) eller avtryckaren (1).

**Varning!** Försök aldrig låsa en strömbrytare i startläge.

### Råd för bästa resultat

- ◆ Börja med att klippa häckens ovasida. Luta häcksaxen något (upp till 15° mot snittlinjen) så att knivspetsarna riktas mot häcken (fig. C1). Detta gör att knivarna klipper mer effektivt. Håll verktyget i önskad vinkel och förflytta det lugnt och stadigt längs snittlinjen. Dubbelsidiga knivar tillåter klippning i båda riktningarna.
- ◆ För att uppnå en mycket rät klipplinje kan du späna ett snöre på önskad höjd längs häcken. Använd snöret som en riktlinje och klipp precis ovanför det.
- ◆ För att få sidorna räta bör du klippa nedifrån och upp i växtriktningen. Yngre kvistar böjer sig utåt om du klipper nedåt, vilket gör att häcken får glesa fläckar (fig. C2).
- ◆ Var noga med att undvika främmande föremål. Se särskilt till att undvika hårda föremål såsom metalltråd och staket, eftersom dessa kan skada knivarna.
- ◆ Smörj knivarna regelbundet.

## Underhåll

Ditt verktyg har tillverkats för att fungera under lång tid med ett minimum av underhåll. Med rätt underhåll och regelbunden rengöring behåller verktyget sin prestanda.

**Varning!** Stäng av verktyget och dra ut sladden innan du påbörjar underhåll och skötsel.

- ◆ Rengör knivarna noggrant efter varje användning. Täck knivarna efter rengöring med ett fint lager smörjolja för att undvika att de rostar.
- ◆ Rengör regelbundet verktygets luftintag med en mjuk borste eller torr trasa.
- ◆ Rengör kåpan regelbundet med en fuktig trasa. Använd aldrig rengöringsmedel med lösnings- eller slipmedel i.

- ◆ Kontrollera före och efter bruk att alla strömbrytare är fria från skräp.

### Avlägsnande av skyddet (fig. A)

**Varning!** Skyddet får endast avlägsnas för underhållsändamål. Sätt alltid tillbaka skyddet när arbetet är färdigt.

- ◆ Lossa och avlägsna skruvarna (9).
- ◆ För av skyddet (4) från verktyget.

### Felsökning

Kontrollera nedanstående punkter om verktyget inte fungerar korrekt.

Fault	Möjlig orsak	Handling
Verktyget startar inte.	Trasig säkring. Utlöst jordfelsbrytare. jordfelsbrytaren.	Byt säkring. Kontrollera
	Ingen ström.	Kontrollera förbindelsen med elnätet.

### Miljöskydd



Särskild insamling. Denna produkt får inte kastas bland vanliga hushållssopor.

Om du någon gång i framtiden behöver ersätta din Black & Decker-produkt med en ny, eller inte längre behöver den, ska du inte kasta den i hushållssoporna. Denna produkt skall lämnas till särskild insamling.



Efter insamling av använda produkter och förpackningsmaterial kan materialen återvinnas och användas på nytt. Användning av återvunna material skonar miljön och minskar förbrukningen av råvaror.

Enligt lokal lagstiftning kan det förekomma särskilda insamlingar av utjämt elutrustning från hushåll, antingen vid kommunala miljöstationer eller hos detaljhandlaren när du köper en ny produkt.

Black & Decker erbjuder en insamlings- och återvinningstjänst för Black & Decker-produkter när de en gång har tjänat ut. För att använda den här tjänsten lämnar du in produkten till en auktoriserad B & D -reparatör/representant som tar hand om den för din räkning.

Närmaste auktoriserad Black & Decker-representant finner du genom det lokala Black & Decker-kontoret på adressen i den här manualen. Annars kan du söka på Internet, på listan över auktoriserade Black & Decker-representanter och alla uppgifter om vår kundservice och andra kontakter. [www.2helpU.com](http://www.2helpU.com)

**Tekniska data**

		GT450	GT480	GT501
Spänning	$V_{AC}$	230	230	230
Ineffekt	W	450	450	500
Knivslag (obelastad)	$\text{min}^{-1}$	1.700	1.700	1.700
Bladlängd	cm	42	51	51
Knivavstånd	mm	20	20	20
Knivarnas bromstid	s	< 1,0	< 1,0	< 1,0
Vikt (utan nätsladd)	kg	2,9	3,0	3,0

		GT502	GT510	GT515
Spänning	$V_{AC}$	230	230	230
Ineffekt	W	520	500	550
Knivslag (obelastad)	$\text{min}^{-1}$	1.700	1.700	1.700
Bladlängd	cm	55	55	55
Knivavstånd	mm	20	20	20
Knivarnas bromstid	s	< 1,0	< 1,0	< 1,0
Vikt (utan nätsladd)	kg	3,1	3,1	3,1

		GT516	GT517
Spänning	$V_{AC}$	230	230
Ineffekt	W	520	550
Knivslag (obelastad)	$\text{min}^{-1}$	1.700	1.700
Bladlängd	cm	61	61
Knivavstånd	mm	20	20
Knivarnas bromstid	s	< 1,0	< 1,0
Vikt (utan nätsladd)	kg	3,2	3,2

**EC-förklaring om överensstämmelse**

GT450/GT480/GT501/GT502/GT510/GT515/GT516/GT517  
 Black & Decker förklarar att dessa produkter överensstämmer med:

89/37/EG, 89/336/EEG, EN 50144, EN 55014, EN 61000, 2000/14/EC, Häcksax, ≤ 500 W, Annex V

Bullernivå, uppmätt enligt 2000/14/EG:

$L_{pA}$  (bullernivå) 88 dB(A),  $L_{WA}$  (akustisk effekt) 101 dB(A),  
 $L_{WA}$  (garanterat) 102 dB(A)

Vägt vibrationsmedelvärde hand/arm enligt EN 50144 < 2,5 m/s<sup>2</sup>



Kevin Hewitt  
 Director of Consumer Engineering  
 Spennymoor, County Durham DL16 6JG,  
 Storbritannien  
 1-10-2007

Förteckning över våra auktoriserade verkstäder finns på Internet, vår hemsida [www.blackanddecker.se](http://www.blackanddecker.se) samt [www.2helpU.com](http://www.2helpU.com)

**Garanti**

Black & Decker garanterar att produkten är fri från material- och/eller fabriktionsfel vid leverans till kund. Garantin är i tillägg till konsumentens lagliga rättigheter och påverkar inte dessa. Garantin gäller inom medlemsstaterna i Europeiska Unionen och i det Europeiska Frihandelsområdet.

Om en Black & Decker produkt går sönder på grund av material- och/eller fabriktionsfel eller brister i överensstämmelse med specifikationen, inom 24 månader från köpet, åtar sig Black & Decker att reparera eller byta ut produkten med minsta besvär för kunden.

Garantin gäller inte för fel som beror på:

- ◆ normalt slitage
- ◆ felaktig användning eller skötsel
- ◆ att produkten skadats av främmande föremål, ämnen eller genom olyckshändelse

Garantin gäller inte om reparation har utförts av någon annan än en auktoriserad Black & Decker verkstad.

För att utnyttja garantin skall produkten och inköpskvittot lämnas till återförsäljaren eller till en auktoriserad verkstad senast 2 månader efter det att felet har upptäckts. För information om närmaste auktoriserad verkstad; kontakta det lokala Black & Decker kontoret på den adress som är angiven i bruksanvisningen. En lista på alla auktoriserade verkstäder samt servicevillkor finns även tillgängligt på Internet, adress: [www.2helpU.com](http://www.2helpU.com)

Besök vår webbplats [www.blackanddecker.se](http://www.blackanddecker.se) för att registrera din nya Black & Decker-produkt samt för att erhålla information om nya produkter och specialerbjudanden. Vidare information om märket Black & Decker och vårt produktsortiment kan återfinnas på [www.blackanddecker.se](http://www.blackanddecker.se)

**Reservdelar / reparationer**

Reservdelar finns att köpa hos auktoriserade Black & Decker verkstäder, som även ger kostnadsförslag och reparerar våra produkter.



## Bruksområder

Din Black & Decker hekksaks er konstruert for å klippe hekker og busker. Verktøyet er tiltenkt kun som konsumentverktøy.

## Sikkerhetsinstruksjoner

- ◆ **Advarsel!** Ved bruk av elektroverktøy, må du alltid følge en del grunnleggende sikkerhetsregler, inkludert følgende, for å redusere faren for brann, elektrisk støt, personskade og materialskade.
- ◆ Ta deg tid til å lese nøye gjennom bruksanvisningen før du begynner å bruke verktøyet.
- ◆ Oppbevar bruksanvisningen på et lett tilgjengelig sted.
- ◆ Trekk støpset ut av kontakten før du utfører justeringer, service eller vedlikehold.

### Hold arbeidsområdet rent og ryddig

En ryddig arbeidsplass innbyr til skader.

### Tenk på arbeidsmiljøets innvirkning

Utsett ikke verktøyet for regn. Bruk ikke verktøyet under våte eller fuktige forhold. Pass på at arbeidsområdet er godt opplyst. Bruk ikke verktøyet hvor det er fare for forårsaking av brann eller en eksplosjon, f. eks. i nærheten av brannfarlige væsker eller gasser.

### Hold barn unna

Ikke la barn, besøkende eller dyr komme i nærheten av arbeidsområdet eller berøre verktøyet eller strømkabelen.

### Kle deg riktig

Ha ikke på deg løstsittende klær eller smykker. De kan sette seg fast i de bevegelige delene. Vi anbefaler gummihansker og sko som ikke glir når du arbeider utendørs. Bruk hårnnett hvis du har langt hår.

### Personlig vern

Bruk vernebriller. Bruk en ansikts- eller støvmaske når operasjonene kan forårsake støv eller flyvende partikler. Bruk ørevern.

### Vern mot elektrisk støt

Unngå kroppskontakt med jordede overflater (f. eks. rør, radiatorer, komfyrer og kjøleskap). Strømsikkerheten kan forbedres ytterligere ved bruk av jordfeilbryter med høy følsomhet (30 mA/30 mS).

### Strekk deg ikke for langt

Pass på at du alltid har sikkert fotfeste og balanse.

### Vær oppmerksom

Se på det du gjør. Bruk sunn fornuft. Bruk ikke maskinen når du er trett.

### Sikre arbeidsstykket

Bruk tvinger eller skrustikker til å feste arbeidsstykket med. Dette er sikrere enn å bruke hånden, og du får begge hendene fri til å styre verktøyet.

## Kople til støvutsugsutstyr

Hvis det følger med utstyr for tilkopling av støvutsug og støvoppsamling, må du sørge for at dette koples til og brukes riktig. Obs! Benytt kun grovsugere!

### Fjern nøkler

Gjør det til vane å sjekke om nøkler og justeringsverktøy er fjernet før verktøyet startes.

### Skjøteledninger

Før bruk må du kontrollere skjøteledningen og bytte den ut hvis den er skadet. Når du bruker verktøyet utendørs, må du kun bruke skjøteledninger beregnet for utendørs bruk. Skjøteledning på opptil 30 m kan brukes uten effekttap.

### Bruk riktig verktøy

Bruk ikke verktøyet til formål det ikke er ment for. Tving ikke en maskin til å gjøre arbeid som krever kraftigere verktøy. Bruk bare tilbehør og utstyr som anbefales i bruksanvisningen og i katalogene. Overbelast ikke verktøyet. For eksempel skal sirkelsager ikke brukes til å sage grener eller ved.

**Advarsel!** Bruk av annet verktøy eller tilbehør kan medføre en mulig risiko for personskade.

### Sjekk verktøyet for skader

Kontroller verktøyet og strømledningen grundig for skade før bruk. Se etter feiljusteringer, om deler har satt seg fast eller har gått i stykker, skadede deksler og brytere eller andre forhold som kan påvirke bruken av verktøyet. Kontroller at verktøyet fungerer som det skal og utfører beregnet funksjon. Bruk aldri verktøyet hvis noen av delene er skadet. Ikke bruk verktøyet hvis det ikke er mulig å slå det på og av med strømbryteren. Hvis noen av delene er skadet så få de reparert eller byttet ut av et autorisert Black & Decker serviceverksted. Prøv aldri å reparere selv.

### Trekk ut støpset

Trekk ut støpset når verktøyet ikke er i bruk, før du bytter noen av delene på verktøyet, tilbehør eller tilslutning og før vedlikehold.

### Unngå utilsiktet start

Bær aldri verktøyet med fingeren på strømbryteren. Pass på at verktøyet er slått av når du setter i støpset.

### Ikke mislighold ledningen

Ikke bær verktøyet etter ledningen eller trekk i ledningen når du skal ta ut støpset. Utsett ikke ledningen for varme, olje, eller skarpe kanter.

### Oppbevar verktøy på et trygt sted

Når verktøyet ikke er i bruk, bør det oppbevares på et tørt sted som er låst eller høyt oppe, utenfor barns rekkevidde.

### Vær nøye med vedlikeholdet

Hold verktøyet rent og bruk skarpe tilbehør for bedre prestasjon og sikrere drift. Følg forskriftene når det gjelder vedlikehold og skifte av tilbehør. Hold håndtakene og brytere tørre, rene og fri for olje og fett.

### Reparasjoner

Dette verktøyet overholder relevante sikkerhetskrav.

Reparasjoner må bare utføres av autoriserte Black & Decker serviceverksteder som benytter originale reservedeler, ellers kan det være farlig å bruke utstyret.

## Elektrisk sikkerhet



Dette verktøyet er dobbeltisolert. Jordet ledning er derfor ikke nødvendig. Kontroller at nettspenningen er i overensstemmelse med spenningen på typeskiltet.

- ◆ Dette apparatet er ikke beregnet for bruk av unge eller uerfarne personer uten tilsyn. Barn må ha tilsyn for å sikre at de ikke leker med apparatet.
- ◆ Hvis strømedningen skades må den skiftes ut av fabrikanten eller et autorisert Black & Decker servicesenter for å unngå fare.

## Ekstra sikkerhetsinstruksjoner for hekksakser



Ha på deg vernebriller når du bruker dette verktøyet.



Ha på deg hansker når du bruker dette verktøyet.



Ha på deg ørevern når du bruker dette verktøyet.



Trekk ut kontakten umiddelbart hvis ledningen er skadet eller avkuttet.



Utsett ikke verktøyet for regn eller høy fuktighet.

- ◆ Pass på at ikke ledningen kommer i kontakt med knivene når du bruker verktøyet.
- ◆ Hvis du ikke har brukt en hekksaks før, bør du søke praktisk veiledning hos en erfaren bruker i tillegg til å lese denne bruksanvisningen.
- ◆ Rør aldri knivene så lenge verktøyet er i gang.
- ◆ Prøv aldri å tvinge knivene til å stoppe.
- ◆ Legg ikke verktøyet fra deg før knivene har stoppet fullstendig.
- ◆ Sjekk knivene regelmessig for skade og slitasje. Ikke bruk verktøyet når knivene er slitte eller skadet.
- ◆ Pass på å unngå harde gjenstander (f.eks. ståltråd, gjerder) når du klipper. Skulle du allikevel komme borti harde gjenstander, slår du verktøyet av med en gang og sjekker om det er blitt skadet.
- ◆ Hvis verktøyet begynner å vibrere på en unormal måte, slår du det av med en gang og sjekker om det er blitt skadet.

- ◆ Hvis verktøyet blokkeres, må du slå det av med en gang. Trekk ut støpslet før du prøver å fjerne det som har satt seg fast.
- ◆ Sett sverdbeskyttelsen som følger med, over knivene etter bruk. Pass på at sverdet er dekket til under oppbevaring.
- ◆ Forsikre deg alltid om at alle beskyttelser er montert når du bruker verktøyet. Prøv aldri å bruke et ufullstendig verktøy eller et verktøy det er gjort ulovlige endringer på.
- ◆ La aldri barn få bruke verktøyet.
- ◆ Vær oppmerksom på fallende avskjær når du klipper høyt opp på hekker.

## Egenskaper

Dette verktøyet har noen av eller alle disse funksjonene:

1. Strømbryter
2. Fremre sikkerhetsstrømbryter
3. Fremre håndtak
4. Vemedeksel
5. Kniv
6. Bladbeskyttelse
7. Ledningholder

Denne hekksaksen har følgende funksjoner:

- ◆ Ergonomisk utformede håndtak for komfortabel klipping.
- ◆ Maskinbearbeidede blader for bedre klipperesultater.
- ◆ Dobbeltvirkende blader som gir redusert vibrasjon.

## Montering

**Advarsel!** Før du setter sammen enheten må du forvisse deg om at verktøyet er slått av og ikke er tilkoblet strømkilden, og at bladbeskyttelsen er satt på bladene.

## Montere beskyttelsen (fig. A)

- ◆ Plasser beskyttelsen (4) i utsparingene (8).
- ◆ Fest beskyttelsen med de to vedlagte skruene (9).

**Advarsel!** Du må aldri bruke verktøyet uten beskyttelsen.

## Kople verktøyet til strømtilførselen (fig. B)

Med mindre verktøyet er utstyrt med en strømkabel, må du kople en skjøteledning til strøminntaket.

- ◆ Kople hennpluggen på en egnet skjøteledning til strøminntaket på verktøyet.
- ◆ Før kabelen gjennom kabelholderen (7) som vist for å unngå at skjøteledningen løsner under bruk.
- ◆ Sett støpslet inn i et strømuttak.

**Advarsel!** Skjøteledningen må være egnet for utendørs bruk. Hvis du bruker en kabeltrommel, må du alltid vikle ut hele ledningen.

## Bruk

**Advarsel!** La verktøyet jobbe med sin egen hastighet. Ikke overbelast det.

- ◆ Før ledningen forsiktig, slik at du unngår å kappe den over ved et uhell. Det kan være lurt å henge ledningen over skulderen.
- ◆ For din egen sikkerhets skyld er dette verktøyet utstyrt med et dobbelt startesystem. Dette systemet forhindrer at en ufrivillig starter verktøyet, og vil bare tillate drift når verktøyet blir holdt med begge hender.

## Start og stopp

### Slå på

- ◆ Grip fronthåndtaket (3) med den ene hånden, slik at fronthåndtaksbryteren (2) trykkes inn i verktøyhuset.
- ◆ Klem inn strømbryteren (1) med den andre hånden, for å starte verktøyet.

### Slå av

- ◆ Slipp håndtaksbryteren (2) på strømbryteren (1).

**Advarsel!** Prøv aldri å låse en strømbryter i startstilling.

## Råd for optimalt resultat

- ◆ Start med å klippe toppen av hekken. Sett verktøyet litt på skrå (opptil 15° i relasjon til kuttlinjen) slik at knivspissene peker svakt mot hekken (fig. C1). Dette vil gjøre at knivene klipper mer effektivt. Hold verktøyet i den ønskede vinkelen, og beveg det jevnt langs kuttlinjen. Den dobbeltvirkende kniven lar deg klippe i begge retninger.
- ◆ For å klippe helt rett, strekk en snor langs hekken i den høyden du ønsker. Bruk snoren som en siktelinje, og klipp like over den.
- ◆ For å få flate sider, klipp oppover med vokseretningen. Yngre grener vil falle utover hvis du klipper nedover, og lage grunne områder i hekken (fig. C2).
- ◆ Pass på å ikke komme borti fremmedlegemer.
- ◆ Unngå spesielt harde gjenstander, som ståltråd og gjerder, da disse kan skade knivene.
- ◆ Smør knivene regelmessig med olje.

## Vedlikehold

Verktøyet ditt er uformet for å være i drift over en lengre periode med et minimum av vedlikehold. Jevn, tilfredsstillende drift avhenger av skikkelig behandling av verktøyet og jevnlig rengjøring.

**Advarsel!** For alt vedlikehold må verktøyet slås av og kontakten trekkes ut.

- ◆ Rengjør knivene omhyggelig etter hver gangs bruk. Etter rengjøringen, smør på et tynt lag med lett maskinolje for å unngå at knivene rustet.
- ◆ Rengjør ventilasjonsåpningene på verktøyet regelmessig med en myk børste eller en tørr klut.

- ◆ Rengjør motorhuset regelmessig med en fuktig klut. Ikke bruk slipende eller løsemiddelbaserte rengjøringsmidler.
- ◆ Pass på at alle brytere er fri for rusk før og etter bruk.

## Fjerne beskyttelsen (fig. A)

**Advarsel!** Beskyttelsen må kun fjernes i forbindelse med service. Beskyttelsen må alltid settes på igjen etter utført service.

- ◆ Løsne skruene (9) og fjern dem.
- ◆ Ta beskyttelsen (4) av verktøyet.

## Problemløsning

Hvis verktøyet ikke fungerer som det skal, kontrollerer du følgende:

Feil	Mulig årsak	Løsning
Verktøyet starter ikke	Sikringen er gått. Utløst jordfeilbryter. Ingen strøm.	Skift ut sikringen. Kontroller jordfeilbryteren. Kontroller strømforsyningen.

## Miljøvern



Kildesortering. Dette produktet må ikke kastes i det vanlige husholdningsavfallet.

Hvis du finner ut at Black & Decker-produktet ditt må skiftes ut, eller hvis du ikke lenger har bruk for det, må du unnlate å kaste det sammen med det vanlige husholdningsavfallet. Sørg for at dette produktet gjøres tilgjengelig for kildesortering.



Kildesortering av brukte produkter og emballasje gjør det mulig å resirkulere materialer og bruke dem igjen. Gjenbruk av resirkulerte materialer bidrar til å forhindre forurensning av miljøet og reduserer behovet for råmaterialer.

Lokale regelverk kan legge tilrette for kildesortering av elektriske produkter fra husholdningen, ved kommunale deponier eller gjennom forhandleren når du kjøper et nytt produkt.

Black & Decker har tilrettelagt for innsamling og resirkulering av Black & Decker-produkter etter at de har utspilt sin rolle. Ønsker du å benytte deg av denne tjenesten, returnerer du produktet ditt til et autorisert serviceverksted, som tar det imot og formidler det videre.

Du kan få adressen til ditt nærmeste autoriserte serviceverksted ved å kontakte ditt lokale Black & Decker-kontor på adressen oppgitt i denne håndboken. Du kan også finne en komplett liste over autoriserte Black & Decker-serviceverksteder og utfyllende informasjon om vår etter salg-service og kontaktnumre på Internett på følgende adresse:  
**www.2helpU.com**

## Tekniske data

		GT450	GT480	GT501
Spenning	$V_{AC}$	230	230	230
Inn-effekt	W	450	450	500
Slag (ubel.)	$\text{min}^{-1}$	1.700	1.700	1.700
Knivlengde	cm	42	51	51
Tannavstand	mm	20	20	20
Knivbremsetid	s	< 1,0	< 1,0	< 1,0
Vekt (unntatt strømledning)	kg	2,9	3,0	3,0

		GT502	GT510	GT515
Spenning	$V_{AC}$	230	230	230
Inn-effekt	W	520	500	550
Slag (ubel.)	$\text{min}^{-1}$	1.700	1.700	1.700
Knivlengde	cm	55	55	55
Tannavstand	mm	20	20	20
Knivbremsetid	s	< 1,0	< 1,0	< 1,0
Vekt (unntatt strømledning)	kg	3,1	3,1	3,1

		GT516	GT517
Spenning	$V_{AC}$	230	230
Inn-effekt	W	520	550
Slag (ubel.)	$\text{min}^{-1}$	1.700	1.700
Knivlengde	cm	61	61
Tannavstand	mm	20	20
Knivbremsetid	s	< 1,0	< 1,0
Vekt (unntatt strømledning)	kg	3,2	3,2

## Samsvarserklæring for EU

GT450/GT480/GT501/GT502/GT510/GT515/GT516/GT517  
 Black & Decker erklærer at disse produktene overholder:  
 98/37/EF, 89/336/EØF, EN 50144, EN 55014, EN 61000,  
 2000/14/EC, Hekksaks,  $\leq 500$  W, Vedlegg V

Lydnivået, målt i henhold til 2000/14/EF:

$L_{pA}$  (lydtrykk) 88 dB(A),  $L_{WA}$  (akustisk effekt) 101 dB(A),  
 $L_{WA}$  (garantert) 102 dB(A)

Hånd/arm-vektet vibrasjonsverdi i henhold til EN 50144:  
 $< 2,5$  m/s<sup>2</sup>



Kevin Hewitt  
 Adm. dir. for forbrukerteknikk  
 Spennymoor, County Durham DL16 6JG,  
 Storbritannia  
 1-10-2007

Oversikt over våre autoriserte serviceverksteder finnes på Internet, vår hjemmeside [www.blackanddecker.no](http://www.blackanddecker.no) samt [www.2helpU.com](http://www.2helpU.com)

## Garanti

Black & Decker garanterer at produktet ikke har material- og/eller fabrikkasjonsfeil ved levering til kunde. Garantien er i tillegg til kundens lovlige rettigheter og påvirker ikke disse. Garantien gjelder innen medlemsstatene i den Europeiske Unionen og i det Europeiske Frihandelsområdet.

Hvis et Black & Decker produkt går i stykker på grunn av material- og/eller fabrikkasjonsfeil eller har mangler i forhold til spesifikasjonene, innen 24 måneder fra kjøpet, påtar Black & Decker seg å reparere eller bytte ut produktet med minst mulig vanskelighet for kunden.

Garantien gjelder ikke for feil som kommer av:

- ◆ normal slittasje
- ◆ feilaktig bruk eller vedlikehold (mislighold)
- ◆ at produktet har blitt skadet av fremmede gjenstander, emner eller ved et uhell

Det gjøres oppmerksom på at produktet ikke er beregnet på industriell/profesjonell/yrkesmessig bruk, men til hus- og hjemmebruk.

Garantien gjelder ikke om reparasjoner har blitt utført av noen andre enn et autorisert Black & Decker serviceverksted.

For å ta garantien i bruk skal produktet og kjøpekvittring leveres til forhandleren eller til et autorisert serviceverksted senest 2 måneder etter at feilen har blitt oppdaget. For informasjon om nærmeste autoriserte serviceverksted; kontakt det lokale Black & Decker kontoret på den adressen som er angitt i bruksanvisningen. En oversikt over alle autoriserte serviceverksteder samt servicevilkår finnes også tilgjengelig på Internet, adresse: [www.2helpU.com](http://www.2helpU.com)

Vennligst stikk innom våre nettsider på [www.blackanddecker.no](http://www.blackanddecker.no) for å registrere ditt nye Black & Decker-produkt og for å holde deg oppdatert om nye produkter og spesialtilbud. Du finner mer informasjon om Black & Decker og produktutvalget vårt på [www.blackanddecker.no](http://www.blackanddecker.no)

## Reservdeler / reparasjoner

Reservdeler kan kjøpes hos autoriserte Black & Decker serviceverksteder, som også gir kostnadsoverslag og reparerer våre produkter.

## Anvendelsesområde

Din Black & Decker hækkeklipper er designet til at klippe hække, buske og krat. Værktøjet er kun beregnet til privat brug.

## Sikkerhedsinstruktioner

- ◆ **Advarsel!** Ved brug af elværktøj skal de grundlæggende sikkerhedsforanstaltninger altid følges, således at risikoen for brand, elektrisk stød, person- og materialeskader mindskes.
- ◆ Læs denne brugsanvisning igennem, inden værktøjet tages i brug.
- ◆ Opbevar brugsanvisningen let tilgængeligt.
- ◆ Tag altid stikket ud af kontakten, før der foretages justering, service eller vedligeholdelse.

### Hold arbejdsområdet i orden

Risikoen for uheld er mindre hvis man holder orden omkring arbejdsområdet.

### Tænk på arbejdsmiljøets indflydelse

Udsæt ikke værktøjet for regn. Anvend ikke værktøjet på fugtige eller våde pladser. Sørg for en god belysning over arbejdsområdet. Anvend ikke værktøjet hvor der eksisterer risiko for at brand kan opstå eller eksplosioner forekomme, som følge af brug af værktøjet. F. eks. aldrig i nærheden af let antændelige væsker eller gasser.

### Hold børnene på afstand

Børn, besøgende eller dyr må ikke nærme sig arbejdsområdet eller røre ved værktøjet eller netkablet.

### Klæd dig rigtigt på

Bær ikke løst hængende tøj eller smykker. De kan sidde fast i bevægelige dele. Gummihandsker og skridsikre sko anbefales ved udendørs arbejde. Brug håret, hvis du har langt hår.

### Personlig beskyttelse

Brug beskyttelsesbriller. Brug ansigts- eller støvmaske, når brug af værktøjet kan medføre støv eller flyvende partikler. Der bør bruges høreværn.

### Beskyttelse mod elektrisk stød

Undgå kropskontakt med jordede emner (f.eks. rør, radiatorer, komfurer og køleskabe). Den elektriske sikkerhed kan forbedres yderligere ved brug af en højfølsom (30 mA / 30 mS) fejlstrømsafbryder (RCD).

### Stræk dig ikke for meget

Sørg for, at du altid har sikkert fodfæste og balance.

### Vær opmærksom

Se på det, du gør. Brug din sunde fornuft. Brug ikke værktøjet, når du er træt.

### Sæt arbejdsemnet fast

Brug skruetvinger eller skruestik for at spænde arbejdsemnet fast. Det er sikrere end at bruge hånden, og du får begge hænder fri til arbejdet.

## Tilslut støvudsugningsudstyret

Hvis der findes enheder til tilslutningsfunktionerne støvudsugning og støvopsamling, skal man sørge for, at disse tilsluttes og bruges korrekt. OBS! Tilslut kun grovstøvsuger.

### Fjern nøglerne

Kontrollér at nøgler og justérværktøj er fjernet fra værktøjet, inden det startes.

### Forlængerledningen

Før brugen skal forlængerledningen efterses og udskiftes, hvis det er skadet. Ved brug af værktøjet udendørs må man kun benytte forlængerledninger, der er beregnet til udendørs brug. Der kan bruges op til 30 m forlængerledning uden at styrken forringes.

### Brug det rigtige værktøj

Brugen af værktøjet er beskrevet i denne brugsanvisning. Tving ikke elværktøj til at udføre arbejde, som er beregnet til kraftigere værktøj. Brug kun tilbehør og dele, der er anbefalet i brugsanvisningen og katalogerne. Værktøjet må ikke forceres. Brug ikke værktøjet til formål, som det ikke er beregnet til. Brug for eksempel ikke rundsavet til at save trægrene eller brænde med.

**Advarsel!** Anvendelsen af andet tilbehør eller udførelse af opgaver med andet værktøj end det her anbefalede kan medføre risiko for personskader.

### Kontrollér værktøjet for skader

Kontrollér omhyggeligt værktøjet og ledningen for beskadigelser, før det tages i brug. Check de bevægelige dele for skæv indstilling og sammenbrændinger, kontrollér for brud på dele, skader på skærme og kontakter samt alt andet, der kan påvirke værktøjets funktion. Kontrollér, at værktøjet fungerer rigtigt og kan udføre det arbejde, det er beregnet til. Værktøjet må ikke benyttes, hvis en af delene er beskadiget eller defekt. Brug ikke værktøjet, hvis det ikke kan tændes og slukkes ved afbryderen. Skadede eller defekte dele skal repareres eller udskiftes af en autoriseret tekniker. Man må aldrig forsøge selv at reparere værktøjet.

### Afbryd værktøjet

Afbryd værktøjet når det er ude af brug og før udskiftning af enhver værktøjsdel, tilbehør eller andet udstyr.

### Undgå utilsigtet start af værktøjet

Bær ikke værktøjet med en finger på tænd/sluk knappen. Sørg for, at værktøjet er slukket, når ledningen tilsluttes strømmen.

### Vær forsigtig med ledningen

Man må aldrig bære værktøjet i ledningen eller tage det ud af stikkontakten ved at rive i ledningen. Ledningen skal holdes på afstand af varme, olie og skarpe kanter.

### Opbevar værktøjet sikkert, når det ikke bruges

Når værktøjet ikke er i brug, skal det opbevares på et tørt sted, aflåst eller anbragt højt udenfor børns rækkevidde.

### Vedligehold værktøjet omhyggeligt

Skærende værktøjer skal holdes skarpe og rene, for på denne måde at opnå et bedre og mere sikkert brug.

Følg vedligeholdelsesvejledningen samt vejledningen til udskiftning af tilbehør. Hold håndtag og knapper tørre, rene og fri for olie og fedt.

## Reparationer

Dette værktøj opfylder de relevante sikkerhedskrav. Reparationer må kun foretages af dertil kvalificerede personer, som bruger originale reservedele. I modsat fald kan der opstå betydelig fare for brugeren.

## Elektrisk sikkerhed



Værktøjet er dobbelt isoleret; derfor er jordledning ikke nødvendig. Kontrollér altid, at strømforsyningen svarer til spændingen på typeskiltet.

- ◆ Dette apparat er ikke beregnet til at blive betjent af unge eller uerfarne personer uden opsyn. Der skal være opsyn med børn for at sikre, at de ikke leger med maskinen.
- ◆ Hvis el-ledningen er skadet, skal den udskiftes af producenten eller et autoriseret Black & Decker servicecenter for at undgå ulykker.

## Yderligere sikkerhedsvejledninger til hækkeklippere



Det anbefales at bære sikkerhedsbriller, når man arbejder med dette værktøj.



Man skal bruge handsker, når man arbejder med dette værktøj.



Man skal benytte høreværn, når man arbejder med dette værktøj.



Afbryd øjeblikkeligt kablet fra kontakten, hvis det bliver beskadiget eller skåret over.



Udsæt ikke værktøjet for regn eller høj fugtighed.

- ◆ Hold kablet væk fra knivene under arbejdet med dette værktøj.
- ◆ Hvis man aldrig har benyttet en hækkeklipper før, er det anbefalelsesværdigt at bede om praktisk hjælp fra en øvet bruger samtidig med, at denne brugervejledning skal læses.
- ◆ Man må aldrig berøre knivene, mens værktøjet er i gang.
- ◆ Man må aldrig tvinge knivene til standsning.
- ◆ Man må ikke stille værktøjet fra sig, før knivene er fuldstændigt stoppet.
- ◆ Kontrollér regelmæssigt knivene for beskadigelser og slid. Man må ikke benytte værktøjet, hvis knivene er blevet slidt eller beskadiget.

- ◆ Man skal undgå hårde genstande (f.eks. metalwirer, stakitter), når man klipper. Skulle man ved et uheld komme til at ramme en sådan genstand, skal man straks slukke for værktøjet og checke det for skader.
- ◆ Hvis værktøjet begynder at vibrere på unormal vis, skal det straks slukkes og checkes for skader.
- ◆ Hvis værktøjet går i stå, skal det straks slukkes. Man skal afbryde værktøjet, før man forsøger at fjerne obstruerende genstande.
- ◆ Efter brug skal den medfølgende knivbeskytter sættes over knivene. Ved opbevaring af værktøjet skal man sikre sig, at knivene ikke er fremme.
- ◆ Sørg altid for, at alle sikkerhedsanordningerne sidder fast, når værktøjet er i brug. Forsøg aldrig at bruge et ukomplet værktøj eller et værktøj, der er blevet ændret på en uautoriseret måde.
- ◆ Lad aldrig børn bruge værktøjet.
- ◆ Vær opmærksom på nedfaldende affald ved klipning af de øverste sider af hækken.

## Funktioner

Dette værktøj har nogle af - eller alle følgende funktioner:

1. Startknap
2. Knap på forreste håndtag
3. Forreste håndtag
4. Beskyttelsesskærm
5. Kniv
6. Knivbeskytter
7. Kabelfastspænding

Denne hækkeklipper har følgende praktiske funktioner:

- ◆ Ergonomisk formede håndtag til komfort ved arbejde.
- ◆ Maskinbearbejdede blade til bedre klipning.
- ◆ Dobbelte knive for at reducere vibrationer.

## Montering

**Advarsel!** Før samling sikres, at redskabet er slukket og ikke sat til lysnettet, og at knivbeskytteren er sat på knivene.

## Påsætning af beskyttelsesskærmen (fig. A)

- ◆ Placer skærmen (4) ind i rillen (8).
- ◆ Skru beskyttelsesskærmen fast ved hjælp af de to medfølgende skruer (9).

**Advarsel!** Benyt aldrig værktøjet uden beskyttelsesskærmen.

## Tilslutning af værktøjet til elnettet (fig. B)

Hvis værktøjet ikke er monteret med et strømkabel, skal der slutes en forlængerledning til el-stikket.

- ◆ Sæt hunstikket på en egnet forlængerledning i værktøjets elstik.
- ◆ Sno kablet gennem kabelfastspændingen (7) som vist for at forhindre forlængerledningen i at løsne sig under brug.
- ◆ Indsæt stikket i stikkontakten.

**Advarsel!** Forlængerledningen skal være velegnet til udendørs brug. Ved anvendelse af en kabeltromle, skal kablet altid vindes helt ud.

## Anvendelse

**Advarsel!** Lad værktøjet arbejde i dets eget tempo. Det må ikke overbelastes.

- ◆ Før ledningen omhyggeligt for at undgå at komme til at klippe den over. Det er en god ide at styre kablet ved at tage det over skulderen.
- ◆ For brugerens sikkerhed er dette værktøj udstyret med et dobbelt kontaktsystem. Dette system modvirker, at værktøjet går i gang uden varsel. Samtidig er det kun muligt at betjene værktøjet, når man holder det med begge hænder.

## Start og stop

### Tænding

- ◆ Tag fat i det forreste håndtag (3) med en hånd, så knappen på det forreste håndtag (2) trykkes ned i redskabets hus.
- ◆ Tryk på udløserknappen (1) med den anden hånd for at starte værktøjet.

### Slukning

- ◆ Slip håndtagsknappen (2) eller udløserknappen (1).

**Advarsel!** Forsøg aldrig at fastlåse en knap, mens maskinen er tændt.

## Gode råd til optimalt brug

- ◆ Start med at klippe toppen af hækken. Vip værktøjet let (op til 15° i forhold til klippelinien) således, at knivspidsen peger let imod hækken (fig. C1). Dette gør, at knivene klipper mere effektivt. Hold værktøjet i den ønskede vinkel, og bevæg det roligt langs med klippelinien. De dobbeltsidede knive gør, at man kan klippe i begge retninger.
- ◆ For at opnå en meget lige hæk kan man trække en tråd langs med hækken i den ønskede højde. Brug tråden som en retningsssnor, og klip lige over den.
- ◆ For at opnå flade sider skal man klippe opad i vækstretningen. Yngre grene vil stikke ud, hvis man fører kniven nedad, og det vil medføre ujævne mønstre i hækken (fig. C2).
- ◆ Man skal omhyggeligt undgå fremmedlegemer. Undgå især hårde genstande, f.eks. metalwirer og stakitter, idet de kan beskadige knivene.
- ◆ Smør knivene regelmæssigt.

## Hvornår skal hækken klippes?

- ◆ Generelt kan hække og buske med årsskud klippes i juni og oktober.
- ◆ Stedsegrøne planter kan klippes i april og august.

- ◆ Hurtigt voksende planter kan klippes hver 6. uge fra maj og fremover.

## Vedligeholdelse

Værktøjet er beregnet til at kunne bruges gennem en længere periode med minimal vedligeholdelse. Fortsat tilfredsstillende anvendelse afhænger af, at værktøjet behandles korrekt og gøres rent med regelmæssige mellemrum.

**Advarsel!** Før udførelse af vedligeholdelsesarbejde skal værktøjet slukkes og tages ud af stikkontakten.

- ◆ Efter brug skal knivene rengøres grundigt. Efter rengøring skal man smøre knivene med maskinolie for at undgå, at de rustner.
- ◆ Gør med regelmæssige mellemrum værktøjets ventilationshuller rene med en blød børste eller en tør klud.
- ◆ Man skal regelmæssigt gøre motorhuset rent med en fugtig klud. Man må ikke bruge slibemidler eller opløsningsmidler.
- ◆ Kontroller, at alle kontakter er fri for rester før og efter brug.

## Afmontering af beskyttelsesskærmen (fig. A)

**Advarsel!** Afmonter kun beskyttelsesskærmen i forbindelse med service. Monter altid beskyttelsesskærmen igen efter service-arbejdet.

- ◆ Løsn skruerne (9) og fjern dem.
- ◆ Skub skærmen (4) væk fra værktøjet.

## Fejlfinding

Hvis værktøjet ikke fungerer korrekt, skal følgende undersøges.

Fejl	Mulig årsag	Afhjælpning
Værktøjet starter ikke.	Sikringen er sprunget. Udløst RCD (reststrømsenhed). Netledningen er ikke tilsluttet.	Udskift sikringen. Check RCD. Kontrollér strømforsyningen.

## Beskyttelse af miljøet



Separat indsamling. Dette produkt må ikke bortskaffes sammen med almindeligt husholdningsaffald.

Hvis du en dag skal udskifte dit Black & Decker produkt, eller hvis du ikke skal bruge det længere, må du ikke bortskaffe det sammen med husholdningsaffald. Dette produkt skal være tilgængeligt for separat indsamling.



Separat indsamling af brugte produkter og emballage gør det muligt at genbruge materialer. Genbrugte materialer forebygger miljøforurening og nedbringer behovet for råstoffer.

Lokale regler kan give mulighed for separat indsamling af elektriske husholdningsprodukter på kommunale lossepladser eller hos den forhandler, som du købte produktet af.

Black & Decker har en facilitet til indsamling og genbrug af Black & Decker-produkter, når deres levetid er slut.

Få fordelene ved denne service ved at returnere produktet til en autoriseret tekniker, der samler værktøj sammen på vores vegne.

Du kan få oplyst den nærmeste autoriserede tekniker ved at kontakte det lokale Black & Decker-kontor på den adresse, der er angivet i denne brugsanvisning. Alternativt findes der en liste over autoriserede Black & Decker-teknikere og oplysninger om vores eftersalgsservice og kontaktpersoner på Internettet på adressen: [www.2helpU.com](http://www.2helpU.com)

#### Tekniske data

		GT450	GT480	GT501
Spænding	V <sub>AC</sub>	230	230	230
Motoreffekt	W	450	450	500
Knivstød (uden belastning)	min <sup>-1</sup>	1.700	1.700	1.700
Knivlængde	cm	42	51	51
Knivafstand	mm	20	20	20
Bremsetid	s	< 1,0	< 1,0	< 1,0
Vægt (uden ledning)	kg	2,9	3,0	3,0

		GT502	GT510	GT515
Spænding	V <sub>AC</sub>	230	230	230
Motoreffekt	W	520	500	550
Knivstød (uden belastning)	min <sup>-1</sup>	1.700	1.700	1.700
Knivlængde	cm	55	55	55
Knivafstand	mm	20	20	20
Bremsetid	s	< 1,0	< 1,0	< 1,0
Vægt (uden ledning)	kg	3,1	3,1	3,1

		GT516	GT517
Spænding	V <sub>AC</sub>	230	230
Motoreffekt	W	520	550
Knivstød (uden belastning)	min <sup>-1</sup>	1.700	1.700
Knivlængde	cm	61	61
Knivafstand	mm	20	20
Bremsetid	s	< 1,0	< 1,0
Vægt (uden ledning)	kg	3,2	3,2

## EU overensstemmelseserklæring

GT450/GT480/GT501/GT502/GT510/GT515/GT516/GT517

Black & Decker erklærer, at disse produkter er i overensstemmelse med følgende:

98/37/EF, 89/336/EØF, EN 50144, EN 55014, EN 61000, 2000/14/EF, Hækkeklipper, ≤ 500 W, Annex V

Lydniveauet i henhold til 2000/14/EF:

L<sub>BA</sub> (lydtryk) 88 dB(A), L<sub>WA</sub> (akkustisk kraft) 101 dB(A), L<sub>WA</sub> (garanteret) 102 dB(A)

Hånd/arm vægget vibrationsværdi i henhold til EN 50144: < 2,5 m/s<sup>2</sup>



Kevin Hewitt

Director of Consumer Engineering  
Spennymoor, County Durham DL16 6JG,  
Storbritannien  
1-10-2007

## Reserve dele / reparationer

Reserve dele kan købes hos autoriserede Black & Decker serviceværksteder, som giver forslag til omkostninger og reparerer vore produkter. Oversigt over vore autoriserede værksteder findes på internettet på vor hjemmeside [www.blackanddecker.dk](http://www.blackanddecker.dk) samt [www.2helpU.com](http://www.2helpU.com)

## Garanti

Black & Decker garanterer, at produktet er fri for materielle skader og/eller fabriktionsfejl ved levering til kunden. Garantien er et tillæg til konsumentens lovlige rettigheder og påvirker ikke disse. Garantien gælder indenfor medlemsstaterne af den Europæiske Union og i det Europæiske Frihandelsområde.

Hvis et Black & Decker produkt går i stykker på grund af materielle skade og/eller fabriktionsfejl eller på anden måde ikke fungerer i overensstemmelse med specifikationen, inden for 24 måneder fra købsdatoen, påtager Black & Decker sig at reparere eller ombytte produktet med mindst muligt besvær for kunden.

Garantien gælder ikke for fejl og mangler, der er sket i forbindelse med:

- ◆ normal slitage
- ◆ uheldige følger efter unormal anvendelse af værktøjet
- ◆ overbelastning, hærværk eller overdrevent intensivt brug af værktøjet
- ◆ ulykkeshændelse

Garantien gælder ikke hvis reparationer er udført af nogen anden end et autoriseret Black & Decker værksted.



For at udnytte garantien skal produktet og købskvitteringen indleveres til forhandleren eller til et autoriseret værksted, senest 2 måneder efter at fejlen opdages. For information om nærmeste autoriserede værksted: kontakt det lokale Black & Decker kontor på den adresse som er opgivet i brugsanvisningen. Liste over alle autoriserede Black & Decker serviceværksteder samt servicevilkår er tilgængelig på internettet, på adressen **[www.2helpU.com](http://www.2helpU.com)**

Gå venligst ind på vores website **[www.blackanddecker.dk](http://www.blackanddecker.dk)** for at registrere dit nye produkt og for at blive holdt ajour om nye produkter og specialtilbud. Der findes yderligere oplysninger om mærket Black & Decker og vores produktsortiment på adressen **[www.blackanddecker.dk](http://www.blackanddecker.dk)**

## Käyttötarkoitus

Black & Deckerin pensasleikkuri on suunniteltu pensasaitojen ja pensaiden leikkaamiseen. Kone on tarkoitettu kotikäyttöön.

## Turvallisuusohjeet

- ◆ **Varoitus!** Sähkötyökaluja käytettäessä on aina noudatettava mm. seuraavia turvallisuusohjeita, jotta tulipalojen, sähköiskujen, henkilövahinkojen ja materiaalivaurioiden riski olisi mahdollisimman pieni.
- ◆ Säilytä käyttöohje kaikkien koneen käyttäjien ulottuvilla.
- ◆ Irrota pistoke virtalähteestä ennen kuin säädät, puhdistat tai huollat konetta.

### Pidä työskentelyalue siistinä

Poista roskat ja mahdolliset esteet työskentelyalueelta välttyäksesi vaurioilta.

### Ajattele työskentelyalueen vaikutusta työhösi

Älä altista sähkötyökaluja sateelle äläkä käytä niitä kosteissa tai märissä paikoissa. Järjestä työskentelyalueelle hyvä valaistus. Älä käytä konetta paikassa, jossa on tulipalo- tai räjähdysvaara, esim. palavien nesteiden tai kaasujen läheisyydessä.

### Työskentele lasten ulottumattomissa

Älä anna lasten, vieraiden tai eläinten tulla lähelle työskentelyaluetta tai koskea koneeseen tai sähköjohtoon.

### Pukeudu asianmukaisesti

Älä käytä liian välijä vaatteita tai koruja. Ne voivat tarttua liikkuviin osiin. Käytä ulkona työskennellessäsi kumihansikkaita ja liukumattomia kenkiä. Jos sinulla on pitkät hiukset, käytä hiusverkkoa.

### Suojavaatetus

Käytä suojalaseja. Käytä kasvosuojaa, jos työskennellessä syntyy pölyä tai hiukkasia. Käytä kuulosuojaimia.

### Suojaudu sähköiskuilta

Vältä kosketusta maadoitettuihin pintoihin (esim. putket, lämpöpatterit, liedet ja jääkaapit). Sähköistä turvallisuutta voidaan parantaa käyttämällä erittäin herkkää (30 mA / 30 mS) vikavirtasuojaa.

### Älä kurottele

Seiso aina tukevasti ja tasapainossa.

### Ole tarkkaavainen

Keskity työhösi. Käytä tervettä järkeä.

Älä käytä sähkötyökalua, kun olet väsynyt.

### Kiinnitä työstökappale kunnolla

Käytä ruuvipuristinta tai -kappaletta, jotta työstökappale pysyy kunnolla kiinni. Näin saat molemmat kädet vapaaksi työhön.

### Liitä pölynpoistolaitte

Jos koneessa on liitäntä pölynpoisto- ja pölynkeräyslaitteistolle tulee sellainen kiinnittää ja käyttää oikein. HUOM!  
Liitä koneeseen ainoastaan teollisuuspölynimuri.

### Poista avaimet

Poista säätöavaimet ja asennustyökalut koneesta ennen kuin käynnistät sen.

### Jatkojohdot

Tarkista jatkojohto ennen käyttöä, ja vaihda vaurioitunut johto uuteen. Käytettäessä konetta ulkona tulee käyttää vain ulkokäyttöön soveltuvia jatkojohtoja. Jopa 30 m:n pituista jatkojohtoa voidaan käyttää tehon vähenemättä.

### Käytä oikeaa konetta

Älä käytä konetta muihin töihin, kuin mihin se on tarkoitettu. Älä käytä pientä konetta työssä, joka vaatii tehokkaamman työkalun. Älä yliuormita konetta. Käytä konetta ainoastaan sellaiseen työhön, johon se on tarkoitettu. Esim. älä sahaa pyörosahalla oksia tai polttopuita.

**Varoitus!** Käytä konetta ainoastaan sellaiseen työhön, johon se on tarkoitettu, ja käytä vain käyttöohjeessa ja

tuotekuvastossa suositteluja tarvikkeita ja lisälaitteita.

Ohjeesta poikkeava käyttö voi aiheuttaa onnettomuuden.

### Tarkista, että kone on kunnossa

Tarkista ennen käyttöä, ettei kone tai sähköjohto ole vaurioitunut. Tarkista, etteivät liikkuvat ja muut osat sekä suoja ole viallisia, ja että kaikki muut käyttöön mahdollisesti vaikuttavat tekijät ovat kunnossa. Varmista, että kone toimii oikein ja täyttää tehtävänsä. Älä käytä konetta, jos jokin sen osista on viallinen tai se ei käynnisty ja pysähdy virrankatkaisijasta. Viallinen osa tulee korjata tai vaihtaa valtuutetussa Black & Deckerin huoltoiliikkeessä. Älä koskaan yritä korjata konetta itse.

### Irrota kone virtalähteestä

Irrota kone virtalähteestä, kun konetta ei käytetä, ennen minkään koneen osan, tarvikkeen tai lisävarusteen vaihtamista, sekä ennen huoltoa.

### Vältä tahatonta käynnistämistä

Älä koskaan kanno konetta somet kiinni virrankatkaisijassa. Varmista, että kone on pois päältä, ennen kuin kytket sen virtalähteeseen.

### Huolehdi johdon kunnosta

Älä koskaan kanno konetta johdosta äläkä irrota pistoketta virtalähteestä vetämällä johdosta. Suojaa johto kuumuudelta, öljyltä ja teräviltä reunoilta.

### Säilytä konetta oikein

Kun konetta ei käytetä, säilytä sitä kuivassa, lukitussa paikassa tai korkealla lasten ulottumattomissa.

### Hoida työkalua huolellisesti

Pidä työkalu puhtaana ja käytä teräviä teriä tehokasta ja turvallista työskentelyä varten. Noudata huollosta ja tarvikkeiden vaihdosta annettuja ohjeita. Pidä virrankatkaisija ja kädensijat kuivina ja puhtaina öljystä ja rasvasta.

### Korjaukset

Tämä kone täyttää voimassa olevat turvallisuusvaatimukset. Korjauksia saa tehdä vain Black & Deckerin valtuuttama huoltoilike, joka käyttää alkuperäisosia. Muussa tapauksessa käyttäjä saattaa joutua vaaratilanteeseen.

## Sähköinen turvallisuus



Tämä kone on kaksoiseristetty; siksi ei tarvita erillistä maadoitusta. Tarkista aina, että virtälähde vastaa arvokilvessä ilmoitettua jännitettä.

- Tätä laitetta ei ole tarkoitettu nuorten henkilöiden käyttöön tai vaivaisten henkilöiden käyttöön ilman valvontaa. Lapsia on valvottava, etteivät he leiki koneen kanssa.
- Jos sähköjohto on vaurioitunut, se saadaan vaihtaa vain valtuutetussa Black & Deckerin huoltoliikkeessä vaaratilanteiden välttämiseksi.

## Lisäturvaohjeet pensasleikkureille



Käytä suojalaseja konetta käyttäessäsi.



Käytä työhanskaita konetta käyttäessäsi.



Käytä kuulosuojaimia konetta käyttäessäsi.



Irrota pistoke virtälähteestä heti, jos johto on vioittunut.



Älä altista konetta sateelle tai kosteudelle.

- Varmista aina, että johto on pois terien tieltä, kun käytät konetta.
- Ellet ole käyttänyt pensasleikkuria aikaisemmin suosittelemme, että pyydät käytännön neuvoja tottuneelta käyttäjältä sekä luet käyttöohjeen tarkasti.
- Älä koskaan kosketa terää, kun kone on käynnissä.
- Älä koskaan pakota teriä pysähtymään.
- Älä aseta konetta maahan ennen kuin terät ovat täysin pysähtyneet.
- Tarkista säännöllisesti, ovatko terät vaurioituneet tai kuluneet. Älä käytä konetta, mikäli terät ovat kuluneet tai vialliset.
- Varo kovia esineitä (esim. metallilankaa, kaiteita) leikatessasi. Mikäli osut vahingossa tällaiseen esineeseen, sammuta kone välittömästi ja tarkista mahdolliset vahingot.
- Mikäli kone alkaa täristä epätavallisesti, sammuta se välittömästi ja tarkista mahdolliset vahingot.
- Mikäli kone jumiuuu, pysäytä se välittömästi. Irrota pistoke virtälähteestä ennen kuin yrität poistaa tukkeutumia.
- Aseta koneeseen kuuluva teränsuojus paikoilleen käytön jälkeen. Säilytä konetta siten, että terä ei ole näkyvillä.
- Varmista aina, että kaikki suojat ovat paikallaan konetta käytettäessä.

Älä koskaan käytä konetta, jonka kaikki osat eivät ole oikein paikallaan tai johon on tehty muutoksia jonkun muun kuin valtuutetun huoltoliikkeen toimesta.

- Älä koskaan anna lasten käyttää konetta.
- Varo tippuvaa roskaa, kun leikkaat pensasaidan pidempää puolta.

## Ominaisuudet

Tällä koneella on kaikki tai joitakin seuraavista ominaisuuksista.

1. Virrankatkaisija
2. Etumainen turvavirrankatkaisija
3. Etukahva
4. Suojus
5. Terä
6. Teränsuojus
7. Johtopidätin

Tässä pensasleikkurissa on seuraavat edut:

- Ergonomiset kädensijat parantavat leikkumukavuutta.
- Koneistetut terät parantavat leikkukujalkää.
- Kaksitoimiset terät vähentävät tärinää.

## Kokoaminen

**Varoitus!** Ennen kokoamista varmista, että kone on pois päältä eikä sitä ole liitetty virtälähteeseen. Varmista lisäksi, että teränsuojus on terien päällä.

## Suojan kiinnittäminen (kuva A)

- Asenna suojus (4) uriin (8).
- Kiinnitä suoja kahdella mukana toimitetulla ruuvilla (9).

**Varoitus!** Älä koskaan käytä konetta, jos suoja ei ole paikallaan.

## Koneen liittäminen verkkovirtaan (kuva B)

Jos koneeseen ei ole asennettu virtajohtoa, virransyöttöliitäntään täytyy liittää jatkojohto.

- Kiinnitä sopivan jatkojohdon naarasliitin työkalun virransyöttöliitäntään.
- Laita johto lenkille johtopidätimen (7) läpi kuten kuvassa, jotta jatkojohto ei pääse irtoamaan käytön aikana.
- Laita pistoke virtälähteeseen.

**Varoitus!** Jatkojohdon tulee olla ulkoikäiseen tarkoitettu.

Jos käytät jatkojohtokelaa, kelaa johto aina täysin auki.

## Käyttö

**Varoitus!** Anna koneen käydä omaan tahtiinsa.

Älä ylikuormita sitä.

- Käsittele johtoa huolellisesti, jottet vaurioita sitä vahingossa. Hyvä tapa käsitellä johtoa on laittaa se kulkemaan olkapään yli.
- Turvallisuussyistä työkalussa on kaksoisvirrankatkaisija. Tällä tavoin estetään työkalun käynnistyminen vahingossa, ja sitä voidaan käyttää vain pitämällä kiinni molemmin käsin.

## Käynnistys ja pysäytys

### Työkalun käynnistys

- ◆ Ota kiinni etukahvasta (3) yhdellä kädellä niin, että etukahvan kytkin (2) työntyy työkalun runkoon.
- ◆ Käynnistä työkalu puristamalla liipaisinkytkintä (1) toisella kädellä.

### Työkalun pysäytys

- ◆ Päästä irti turvavirrrankatkaisijasta (2) tai virrrankatkaisijasta (1).

**Varoitus!** Älä koskaan yritä lukita virrrankatkaisijaa käynnistysasentoon.

### Vinkkejä parhaimman tuloksen saamiseksi

- ◆ Aloita leikkaaminen pensaan yläreunasta. Kallista konetta hiukan (korkeintaan 15° kulmaan leikkauslinjaan nähden) niin, että terän kärjet osoittavat pensasta kohden (kuva C1). Tällä tavoin terät leikkaavat tehokkaammin. Pidä konetta halutussa kulmassa ja liikuta sitä rauhallisesti ja tasaisesti leikkauslinjaa pitkin. Kaksipuolisesti leikkaavat terät sallivat leikkaamisen molempiin suuntiin.
- ◆ Jotta leikkausjälki olisi mahdollisimman suora, pensasaidan koko pituudelle voidaan pingottaa naru halutulle korkeudelle. Käytä narua viitelinjana ja leikkaa juuri sen yläpuolelta.
- ◆ Jotta sivuista tulisi tasaisia, leikkaa alhaalta ylöspäin siihen suuntaan, mihin pensas kasvaa. Nuoret oksat kallistuvat ulospäin, jos leikkaat ylhäältä alaspäin. Tämä aiheuttaa aukkoja pensasaitaan (kuva C2).
- ◆ Ole varovainen; vältä kaikkia asiaankuulumattomia esineitä. Vältä erityisesti kovia esineitä, kuten metalliankaa tai aitoja; nämä voivat vahingoittaa teriä.
- ◆ Voitele terät säännöllisesti.

## Huolto

Kone on suunniteltu toimimaan mahdollisimman pitkään mahdollisimman vähällä huollolla. Asianmukainen käyttö ja säännönmukainen puhdistus takaavat koneen jatkuvan tyydyttävän toiminnan.

**Varoitus!** Ennen huoltoa ja puhdistusta koneen tulee olla pois päältä ja irti virtalähteestä.

- ◆ Puhdista terät hyvin jokaisen käyttökerran jälkeen. Levitä puhdistuksen jälkeen ohut kerros kevyttä voiteluöljyä terille ruostumisen estämiseksi.
- ◆ Puhdista koneen ilma-aukot säännöllisesti pehmeällä harjalla tai kuivalla rievulla.
- ◆ Puhdista työkalun kuori säännöllisesti kostealla siivousliinalla. Älä koskaan käytä puhdistamiseen liuotainaineita tai syövyttäviä puhdistusaineita.
- ◆ Varmista, ettei kytkimissä ole roskia ennen käyttöä tai sen jälkeen.

## Suojan irrottaminen (kuva A)

**Varoitus!** Poista suoja vain huoltoa varten. Asenna suoja aina takaisin huollon jälkeen.

- ◆ Löysennä ruuvit (9) ja irrota ne.
- ◆ Irrota suojuus (4) laitteesta.

## Vianmääritys

Jos työkalu ei toimi oikein, tarkista seuraavat seikat.

Vika	Mahdollinen syy	Toimenpide
Työkalu ei käynnisty	Sulake palanut. Maadoituskytkin on lauennut. Virtajohtoa ei ole kytketty.	Vaihda sulake. Nollaa maadoituskytkin. Tarkista vIRRANSaanti.

## Ympäristö



Erillinen keräys. Tätä tuotetta ei saa hävittää normaalin kotitalousjätteen kanssa.

Kun Black & Decker -koneesi on käytetty loppuun, älä hävitä sitä kotitalousjätteen mukana. Tämä tuote on kerättävä erikseen.



Käytettyjen tuotteiden ja pakkausten erillinen keräys mahdollistaa materiaalien kierrätyksen ja uudelleenkäytön. Kierrätettyjen materiaalien uudelleenkäyttö auttaa ehkäisemään ympäristön saastumisen ja vähentää raaka-aineiden kysyntää.

Paikallisten säännösten mukaisesti on mahdollista viedä kotitalouksien sähkölaitteet kuntien kaatopaikoille tai jättää ne vähittäismyyjälle ostettaessa uusi tuote.

Black & Decker tarjoaa mahdollisuuden Black & Decker -tuotteiden keräykseen ja kierrätykseen sen jälkeen, kun ne on poistettu käytöstä. Jotta voisit hyötyä tästä palvelusta, palauta laitteesi johonkin valtuutettuun huoltoliikkeeseen, joka kerää laitteet meidän puolestamme.

Voit tarkistaa lähimmän valtuutetun huoltoliikkeen sijainnin ottamalla yhteyden Black & Deckerin toimistoon, joka sijaitsee tässä käsikirjassa annetussa osoitteessa. Lista valtuutetuista Black & Decker -huoltoliikkeistä sekä yksityiskohtaiset tiedot korjauspalvelustamme ovat vaihtoehtoisesti saatavilla Internetissä, osoitteessa [www.2helpU.com](http://www.2helpU.com)

## Tekniset tiedot

		GT450	GT480	GT501
Jännite	$V_{AC}$	230	230	230
Ottoteho	W	450	450	500
Leikkuliikkeitä (kuormittamaton) $\text{min}^{-1}$		1.700	1.700	1.700
Terän pituus	cm	42	51	51
Hammaskäli	mm	20	20	20
Terän pysähdysaika	s	< 1,0	< 1,0	< 1,0
Paino (ilman virtajohtoa)	kg	2,9	3,0	3,0

		GT502	GT510	GT515
Jännite	$V_{AC}$	230	230	230
Ottoteho	W	520	500	550
Leikkuliikkeitä (kuormittamaton) $\text{min}^{-1}$		1.700	1.700	1.700
Terän pituus	cm	55	55	55
Hammaskäli	mm	20	20	20
Terän pysähdysaika	s	< 1,0	< 1,0	< 1,0
Paino (ilman virtajohtoa)	kg	3,1	3,1	3,1

		GT516	GT517
Jännite	$V_{AC}$	230	230
Ottoteho	W	520	550
Leikkuliikkeitä (kuormittamaton) $\text{min}^{-1}$		1.700	1.700
Terän pituus	cm	61	61
Hammaskäli	mm	20	20
Terän pysähdysaika	s	< 1,0	< 1,0
Paino (ilman virtajohtoa)	kg	3,2	3,2

## EU:n yhdenmukaisuusilmoitus

GT450/GT480/GT501/GT502/GT510/GT515/GT516/GT517

Black &amp; Decker vakuuttaa näiden tuotteiden olevan seuraavien standardien vaatimusten mukaisia:

98/37/EY, 89/336/ETY, EN 50144, EN 55014, EN 61000, 2000/14/EC, Pensasleikkuri,  $\leq 500$  W, Annex V

Melutaso, mitattu 2000/14/EY:n mukaisesti:

 $L_{PA}$  (äänenpaine) 88 dB(A),  $L_{WA}$  (ääniteho) 101 dB(A),  
 $L_{WA}$  (taattu) 102 dB(A)Käden painotettu tärinäarvo EN 50144:n mukaisesti: < 2,5  $\text{m/s}^2$ 


Kevin Hewitt

Director of Consumer Engineering  
Spennymoor, County Durham DL16 6JG,  
Iso-Britannia  
1-10-2007

Tiedot valtuutetuista huoltoliikkeistä löytyvät internetistä osoitteesta [www.2helpU.com](http://www.2helpU.com) sekä kotisivuiltamme [www.blackanddecker.fi](http://www.blackanddecker.fi)

## Takuu

Black & Decker Oy takaa, ettei koneessa ollut materiaali- ja/tai valmistusvikaa silloin, kun se toimitettiin ostajalle. Takuu on lisäys kuluttajan laillisiin oikeuksiin eikä vaikuta niihin. Takuu on voimassa Euroopan Unionin jäsenmaissa ja Euroopan vapaakauppa-alueella (EFTA).

Mikäli Black & Decker -kone hajoaa materiaali- ja/tai valmistusvirheen tai teknisten tietojen epätarkkuuden vuoksi 24 kk:n kuluessa ostopäivästä, Black & Decker korjaa koneen ilman kustannuksia ostajalle tai vaihtaa sen uuteen Black & Decker Oy:n valinnan mukaan.

Takuu ei kata vikoja, jotka johtuvat koneen

- ◆ normaalista kulumisesta
- ◆ ylikuormituksesta, virheellisestä käytöstä tai hoidosta
- ◆ vahingoittamisesta vieraalla esineellä tai aineella tai onnettomuustapauksessa.

Takuu ei ole voimassa, mikäli konetta on korjannut joku muu kuin Black & Deckerin valtuuttama huoltoliike.

Edellytyksenä takuun saamiselle on, että ostaja jättää koneen ja ostokuitin jälleenmyyjälle tai valtuutetulle huoltoliikkeelle viimeistään 2 kuukauden kuluessa vian ilmenemisestä. Tiedot valtuutetuista huoltoliikkeistä saa ottamalla yhteyttä Black & Decker Oy:hyn sekä internetistä osoitteesta [www.2helpU.com](http://www.2helpU.com), jossa on myös takuehdot.

Voit vierailla verkkosivuiltamme [www.blackanddecker.fi](http://www.blackanddecker.fi) rekisteröidäksesi uuden Black & Decker-tuotteesi ja saadaksesi tietoa uusista tuotteista ja erikoistarjouksista. Saat lisätietoja Black & Deckerin tavaramerkistä ja tuotevalikoimastamme osoitteesta [www.blackanddecker.fi](http://www.blackanddecker.fi)

## Korjaukset / varaosat

Mikäli koneeseen tulee vikaa, jätä se aina Black & Deckerin valtuuttamaan huoltoliikkeeseen korjattavaksi. Varaosia myyvät valtuutetut Black & Deckerin huoltoliikkeet, ja heiltä voi myös pyytää kustannusarvion koneen korjauksesta.

## Ενδεξιμένη χρήση

Το εργαλείο κλαδέματος θάμνων της Black & Decker έχει σχεδιαστεί για το κλάδεμα θάμνων, φρύγανων και βάτων. Αυτό το εργαλείο προορίζεται μόνο για ερασιτεχνική χρήση.

## Οδηγίες ασφαλείας

- ◆ **Προσοχή!** Κατά τη χρήση εργαλείων που τροφοδοτούνται με ηλεκτρικό ρεύμα, θα πρέπει πάντα να λαμβάνονται οι βασικές προφυλάξεις ασφαλείας, για τον περιορισμό του κινδύνου πυρκαγιάς, ηλεκτροπληξίας, σωματικών βλαβών και υλικών ζημιών.
- ◆ Πριν χρησιμοποιήσετε το εργαλείο διαβάστε προσεκτικά τις παρακάτω οδηγίες.
- ◆ Φυλάξτε τις οδηγίες καλά.
- ◆ Αποσυνδέστε το εργαλείο από την πρίζα πριν προχωρήσετε σε εργασίες ρύθμισης, σέρβις ή συντήρησης.

### Διατηρείτε καθαρό το χώρο εργασίας

Ακατάστατοι χώροι και πάγκοι εγκυμονούν κίνδυνο τραυματισμού.

### Λάβετε υπ' όψη τις επιδράσεις του περιβάλλοντος

Μην εκθέτετε ηλεκτρικά εργαλεία σε υγρασία. Φροντίστε η περιοχή εργασίας να είναι καλά φωτισμένη. Μη χρησιμοποιείτε το εργαλείο αν υπάρχει κίνδυνος να προκληθεί πυρκαγιά ή έκρηξη, π.χ. κοντά σε εύφλεκτα υγρά και αέρια.

### Κρατάτε τα παιδιά σε απόσταση

Μην επιτρέπετε σε παιδιά, επισκέπτες ή ζώα να πλησιάζουν στο χώρο εργασίας ή να αγγίζουν το εργαλείο ή το καλώδιο τροφοδοσίας.

### Φοράτε τα κατάλληλα ρούχα εργασίας

Μη φοράτε φαρδιά ρούχα ή κοσμήματα. Υπάρχει πιθανότητα να πιαστούν σε κινούμενα μέρη μηχανών. Για υπαίθριες εργασίες συνιστώνται λαστιχένια γάντια και υποδήματα που δε γλιστρούν. Εάν έχετε μακριά μαλλιά φοράτε προστατευτικό διχτάκι.

### Ατομική προστασία

Φορέστε προστατευτικά γυαλιά. Φορέστε μάσκα προσώπου ή προστασίας από τη σκόνη, στις περιπτώσεις που η εργασία ενδέχεται να προκαλέσει την παραγωγή σκόνης ή αιωρούμενων σωματιδίων. Φοράτε ωτασπίδες.

### Λάβετε τις κατάλληλες προφυλάξεις για το ενδεχόμενο ηλεκτροπληξίας

Αποφύγετε τη σωματική επαφή με γειωμένες ή συνδεδεμένες με το έδαφος επιφάνειες (π.χ. σωλήνες, ψυγεία, βραστήρες και ψυγεία). Η ηλεκτρική ασφάλεια μπορεί να βελτιωθεί αν χρησιμοποιηθεί συσκευή παραμένουτος ρεύματος (RCD) υψηλής ευαισθησίας (30 mA / 30 mS).

### Μη σκύβετε πάρα πολύ

Φροντίστε πάντοτε να έχετε την κατάλληλη στάση και να διατηρείτε την ισορροπία σας.

### Να είστε πάντα προσεκτικοί

Παρακολουθείτε την εργασία σας. Ενεργείτε λογικά.

Μη χρησιμοποιείτε το εργαλείο όταν είστε κουρασμένος.

### Στηρίξτε με ασφαλή τρόπο το αντικείμενο στο οποίο εργάζεστε

Χρησιμοποιείτε σφιγκτήρες ή μέγνη για το σκοπό αυτό. Η μέθοδος αυτή είναι ασφαλέστερη και ελευθερώνει και τα δύο σας χέρια για το χειρισμό του εργαλείου.

### Συνδέστε τη συσκευή αφαίρεσης σκόνης

Εάν παρέχονται συσκευές για τη σύνδεση συσκευών αφαίρεσης και συλλογής σκόνης, βεβαιωθείτε ότι η σύνδεση και η χρήση τους γίνεται με τον ενδεξιμένο τρόπο.

### Απομακρύνετε από το μηχάνημα τα κλειδιά που χρησιμοποιείτε για τη ρύθμισή του

Πριν βάλτε σε λειτουργία το εργαλείο, βεβαιωθείτε πάντα ότι έχετε βγάλει από αυτό τα κλειδιά για τη ρύθμισή του.

### Καλώδια επιμήκυνσης

Πριν τη χρήση, επιθεωρήστε το καλώδιο επιμήκυνσης και αντικαταστήστε το, αν έχει φθαρεί. Εάν χρησιμοποιείτε τη συσκευή σε υπαίθριο χώρο, χρησιμοποιείτε μόνο καλώδια επιμήκυνσης κατάλληλα για χρήση σε υπαίθριο χώρο. Μπορεί να χρησιμοποιηθεί καλώδιο προέκτασης Black & Decker έως και 30 m χωρίς να προκληθεί απώλεια ισχύος.

### Χρησιμοποιείτε το σωστό εργαλείο

Η ενδεξιμένη χρησιμοποίηση αναφέρεται σε αυτές τις οδηγίες χρήσεως. Μη χρησιμοποιείτε εργαλεία χαμηλής ισχύος ή προσθήκες για βαριές εργασίες. Το εργαλείο σας θα λειτουργήσει επιτυχέστερα και ασφαλέστερα εάν χρησιμοποιηθεί σύμφωνα με της προδιαγραφές του. Μη ζορίζετε το εργαλείο. Μη χρησιμοποιείτε το εργαλείο σε εργασίες για τις οποίες δεν είναι κατάλληλα. Για παράδειγμα, μη χρησιμοποιείτε δισκοπρίονο για να κόψετε κλαδιά ή κορμούς δέντρων.

**Προσοχή!** Τόσο η χρήση εξαρτημάτων ή προσθηκών όσο και η πραγματοποίηση εργασιών που δεν συνιστώνται στις οδηγίες αυτές εγκυμονεί κίνδυνο τραυματισμού.

### Ελέγχετε εάν το εργαλείο σας έχει βλάβες

Πριν από τη χρήση, ελέγξτε προσεκτικά το εργαλείο και το καλώδιο τροφοδοσίας για τυχόν ζημιές. Ελέγξτε για τυχόν κακή ευθυγράμμιση και εμπλοκή των κινούμενων μερών, για μέρη που έχουν σπάσει, για τυχόν ζημιές στους προφυλακτήρες και τους διακόπτες, και γενικά κάθε είδους συνθήκες οι οποίες ενδέχεται να επηρεάσουν τη λειτουργία του εργαλείου. Βεβαιωθείτε ότι το εργαλείο λειτουργεί κανονικά και χρησιμοποιείται για το σκοπό για τον οποίο προορίζεται. Μη χρησιμοποιείτε το εργαλείο αν κάποιο εξάρτημά του παρουσιάζει ελάττωμα. Μη χρησιμοποιείτε το εργαλείο, εάν ο διακόπτης δεν μπορεί να το θέσει εντός ή εκτός λειτουργίας. Φροντίστε για την επισκευή ή αντικατάσταση τυχόν ελαττωματικών εξαρτημάτων από εξουσιοδοτημένο κέντρο επισκευών. Ποτέ μην επιχειρήσετε να επισκευάσετε οι ίδιοι το εργαλείο.

### Βγάλτε το εργαλείο από την πρίζα

Βγάλτε το εργαλείο από την πρίζα όταν το εργαλείο δεν χρησιμοποιείται, προτού αλλάξετε οποιοδήποτε ανταλλακτικό, παρελκόμενο ή εξάρτημα του εργαλείου, και πριν από τη συντήρησή του.

**Αποφύγετε την τυχαία εκκίνηση του εργαλείου**

Μη μεταφέρετε το εργαλείο έχοντας το δάκτυλό σας πάνω στο διακόπτη εκκίνησης. Όταν βάζετε την πρίζα, βεβαιωθείτε ότι ο διακόπτης του εργαλείου είναι κλειστός.

**Μην κακομεταχειρίζεστε το καλώδιο**

Ποτέ μη μεταφέρετε το εργαλείο κρατώντας το από το καλώδιο και μην το τραβάτε από το καλώδιο για να το βγάλετε από την πρίζα. Φροντίστε το καλώδιο να παραμένει μακριά από τη θερμότητα, τα λάδια και από αιχμηρές ακμές.

**Φυλάγετε τα εργαλεία σας σε ασφαλές μέρος**

Ηλεκτρικά εργαλεία που δεν χρησιμοποιούνται πρέπει να φυλάσσονται σε στεγνούς, κλειστούς χώρους ή σε μεγάλο ύψος, μακριά από παιδιά.

**Συντηρήστε προσεκτικά τα εργαλεία**

Φροντίστε τα εργαλεία σας να είναι κοφτερά και καθαρά, ώστε να προσφέρουν υψηλή απόδοση και ασφάλεια κατά τη χρήση τους. Ακολουθήστε τις σχετικές οδηγίες σε ότι αφορά τη συντήρηση και την αλλαγή των εξαρτημάτων. Φροντίστε οι λαβές και οι διακόπτες να είναι στεγνοί, καθαροί και χωρίς λάδια ή γράσα.

**Επισκευές**

Το εργαλείο αυτό συμμορφώνεται με τις σχετικές προϋποθέσεις ασφαλείας. Οι επισκευές θα πρέπει να γίνονται μόνο από ειδικευμένους τεχνικούς και με τη χρήση αποκλειστικά γνήσιων ανταλλακτικών, διαφορετικά υπάρχει το ενδεχόμενο σοβαρού κινδύνου για το χρήστη.

**Ηλεκτρική ασφάλεια**

Το εργαλείο σας φέρει διπλή μόνωση. Κατά συνέπεια δε χρειάζεται καλώδιο γείωσης. Ελέγχετε πάντοτε αν η τάση τροφοδοσίας αντιστοιχεί σε αυτήν που αναγράφεται στην πινακίδα στοιχείων του εργαλείου.

- ◆ Αυτό το εργαλείο δεν πρέπει να χρησιμοποιηθεί από νέους ή ασταθές άτομα χωρίς επιτήρηση. Τα παιδιά πρέπει να επιτηρηθούν για να βεβαιωθείτε ότι δεν παίζουν με το εργαλείο.
- ◆ Αν το καλώδιο ρεύματος έχει υποστεί βλάβη, πρέπει να αντικατασταθεί από τον κατασκευαστή ή από εξουσιοδοτημένο Κέντρο Επισκευών Black & Decker ώστε να αποφύγετε τους κινδύνους.

**Συμπληρωματικές οδηγίες ασφαλείας για τις μηχανές κλαδέματος θάμνων**

Κατά τη χρήση αυτού του εργαλείου, να φοράτε προστατευτικά γυαλιά.



Κατά τη χρήση αυτού του εργαλείου, να φοράτε γάντια.



Κατά τη χρήση αυτού του εργαλείου, να φοράτε ωτοασπίδες.



Αποσυνδέστε αμέσως το καλώδιο από την ηλεκτρική παροχή αν έχει υποστεί ζημία ή έχει κοπεί.



Μην αφήνετε το εργαλείο στη βροχή ή σε έντονη υγρασία.

- ◆ Κρατείστε το καλώδιο μακριά από τις λεπίδες όταν χρησιμοποιείτε το εργαλείο.
- ◆ Εάν δεν έχετε ξαναχρησιμοποιήσει μηχανή κλαδέματος θάμνων, προτιμότερο είναι να ζητήσετε πρακτικές οδηγίες από έναν έμπειρο χρήστη αφού μελετήσετε αυτό το εγχειρίδιο.
- ◆ Ποτέ μην αγγίζετε τις λεπίδες όταν το εργαλείο είναι σε λειτουργία.
- ◆ Ποτέ μην επιχειρήσετε να ακινητοποιήσετε τις λεπίδες δια της βίας.
- ◆ Μην αποθετείτε το εργαλείο εάν δεν έχουν ακινητοποιηθεί τελείως οι λεπίδες.
- ◆ Ελέγχετε τακτικά τις λεπίδες για τυχόν ζημιές και φθορά. Μη χρησιμοποιείτε το εργαλείο αν οι λεπίδες εμφανίζουν ζημιές ή φθορά.
- ◆ Προσέχετε να αποφεύγετε τα σκληρά αντικείμενα (π.χ. μεταλλικά σύρματα, κάγκελα) όταν κλαδεύετε. Εάν προσκρούσετε σε τέτοιο αντικείμενο κατά λάθος, θέστε αμέσως εκτός λειτουργίας το εργαλείο και ελέγξτε για τυχόν ζημιές.
- ◆ Αν το εργαλείο αρχίσει να τρέμει αφύσικα, θέστε το αμέσως εκτός λειτουργίας και ελέγξτε για τυχόν ζημιές.
- ◆ Αν το εργαλείο μπλοκάρει, θέστε το αμέσως εκτός λειτουργίας. Βγάλτε το εργαλείο από την πρίζα πριν επιχειρήσετε να απομακρυνεται τυχόν εμπόδια.
- ◆ Μετά τη χρήση, τοποθετήστε τις λεπίδες στη θήκη που παρέχεται. Αποθηκεύστε το εργαλείο, επιβεβαιώνοντας ότι δεν είναι εκτεθειμένη η λεπίδα.
- ◆ Όταν χρησιμοποιείτε το εργαλείο, να βεβαιώνετε πάντα ότι έχουν τοποθετηθεί όλοι οι προφυλακτήρες. Ποτέ μην επιχειρείτε να χρησιμοποιήσετε ένα ελλειπές εργαλείο το οποίο έχει υποστεί μη εγκεκριμένες τροποποιήσεις.
- ◆ Ποτέ μην αφήνετε παιδιά να χρησιμοποιούν το εργαλείο.
- ◆ Προσέξτε τα απορρίμματα που πέφτουν όταν κόβετε τις υψηλότερες πλευρές ενός θάμνου.

**Χαρακτηριστικά**

Το εργαλείο διαθέτει όλα ή ορισμένα από τα εξής χαρακτηριστικά.

1. Διακόπτης σκανδάλης
2. Διακόπτης πρόσθιας λαβής
3. Πρόσθια λαβή

4. Προφυλακτήρας
5. Λεπίδα
6. Θήκη λεπίδας
7. Σύστημα συγκράτησης καλωδίου

Αυτό το εργαλείο κλαδέματος θάμνων διαθέτει τα ακόλουθα χαρακτηριστικά προς όφελός σας:

- ◆ Εργονομικές λαβές για άνετο κλάδεμα.
- ◆ Μηχανισμός λεπίδων για βελτιωμένη κοπή.
- ◆ Λεπίδες διπλής δράσης για ελάττωση των κραδασμών.

## Συναρμολόγηση

**Προειδοποίηση!** Πριν την συναρμολόγηση, βεβαιωθείτε ότι το εργαλείο είναι σβησμένο και εκτός πρίζας και ότι η θήκη λεπίδας έχει τοποθετηθεί πάνω στις λεπίδες.

### Τοποθέτηση του προφυλακτήρα (εικ. Α)

- ◆ Τοποθετήστε τον προφυλακτήρα (4) στα αυλάκια (8).
- ◆ Ασφαλίστε τον προφυλακτήρα με τις δύο βίδες (9) που παρέχονται.

**Προειδοποίηση!** Ποτέ μη χρησιμοποιείτε το εργαλείο χωρίς τον προφυλακτήρα.

### Σύνδεση του εργαλείου στο ρεύμα (εικ. Β)

Εκτός και εάν το εργαλείο παρέχεται με ηλεκτρικό καλώδιο, θα πρέπει να συνδέσετε μια προέκταση στην είσοδο της τροφοδοσίας.

- ◆ Συνδέστε το θηλυκό φιν μιας κατάλληλης προέκτασης στην είσοδο τροφοδοσίας του εργαλείου.
- ◆ Τυλίξτε το καλώδιο στο μηχανισμό συγκράτησης του καλωδίου (7), όπως φαίνεται στην εικόνα, ώστε να μην αποσυνδεθεί το καλώδιο επέκτασης κατά τη διάρκεια της χρήσης.
- ◆ Συνδέστε το φιν σε μια πρίζα.

**Προειδοποίηση!** Η προέκταση πρέπει να είναι κατάλληλη για χρήση σε εξωτερικό χώρο. Όταν χρησιμοποιείτε καρούλι καλωδίου, πάντα να ξετυλίγετε τελείως το καλώδιο.

## Χρήση

**Προειδοποίηση!** Αφήστε το εργαλείο να λειτουργήσει με το δικό του ρυθμό. Μην το υπερφορτώνετε.

- ◆ Τοποθετήστε προσεκτικά το καλώδιο ώστε να μην το κόψετε κατά λάθος. Ένας καλός τρόπος να ελέγχετε το καλώδιο είναι να το περάσετε πάνω από τον ώμο σας.
- ◆ Για την ασφάλειά σας, το εργαλείο διαθέτει διπλό σύστημα εκκίνησης. Αυτό το σύστημα προλαμβάνει την ακούσια εκκίνηση του εργαλείου και επιτρέπει τη λειτουργία μόνο όταν κρατάτε το εργαλείο και με τα δύο χέρια.

## Θέση εντός και εκτός λειτουργίας

### Θέση σε λειτουργία

- ◆ Κρατήστε τη μπροστινή λαβή (3) με το ένα χέρι ώστε ο διακόπτης της μπροστινής λαβίδας (2) να πατηθεί προς το σώμα του εργαλείου.
- ◆ Με το άλλο χέρι, πιέστε το διακόπτη σκανδάλης (1) για να ξεκινήσει το εργαλείο.

### Θέση εκτός λειτουργίας

- ◆ Αφήστε το διακόπτη της λαβής (2) ή το διακόπτη της σκανδάλης (1).

**Προειδοποίηση!** Ποτέ μην επιχειρήσετε να ασφαλίσετε κάποιο διακόπτη στη θέση λειτουργίας (on).

### Συμβουλές για άριστη χρήση

- ◆ Ξεκινήστε κλαδεύοντας την κορυφή του θάμνου. Γείρετε ελάχιστα το εργαλείο (έως 15° σε σχέση με τη γραμμική κοπή) ώστε τα άκρα της λεπίδας να δείχνουν ελαφρά προς το μέρος του θάμνου (εικ. C1). Έτσι οι λεπίδες θα κόβουν πιο αποτελεσματικά. Κρατάτε το εργαλείο στην επιθυμητή γωνία και κινήστε το σταθερά κατά μήκος της γραμμής κοπής. Η λεπίδα διπλής όψης σας επιτρέπει να κόβετε προς οποιαδήποτε κατεύθυνση.
- ◆ Για να κόψετε σε απόλυτη ευθεία, τεντώστε ένα κομμάτι σπάγκου κατά μήκος του θάμνου στο επιθυμητό ύψος. Χρησιμοποιήστε το σπάγκο ως οδηγό, κόβοντας λίγο πριν πάνω από αυτόν.
- ◆ Για να επιτύχετε επίπεδες πλευρές, κόβετε προς τα πάνω προς την κατεύθυνση της ανάπτυξης του φυτού. Οι νεότεροι μίσχοι μετακινούνται προς τα έξω όταν η λεπίδα κόβει προς τα κάτω, προκαλώντας έτσι κενά σημεία στο θάμνο (εικ. C2).
- ◆ Προσέχετε να αποφύγετε τυχόν ξένα αντικείμενα. Αποφεύγετε ειδικά τα σκληρά αντικείμενα, όπως μεταλλικά σύρματα και κάγκελα, καθώς μπορεί να προκαλέσουν ζημιά στις λεπίδες.
- ◆ Λαδώνετε τακτικά τις λεπίδες.

### Πότε να ψαλιδίσετε

- ◆ Ως γενικός κανόνας, οι φράκτες και οι θάμνοι με εποχιακά φύλλα (νέα κάθε χρόνο) μπορούν να ψαλιδιστούν τον Ιούνιο και τον Οκτώβριο.
- ◆ Τα αειθαλή δέντρα μπορούν να ψαλιδιστούν τον Απρίλιο και τον Αύγουστο.
- ◆ Κωνοφόρα δέντρα και άλλοι θάμνοι που αναπτύσσονται γρήγορα μπορούν να ψαλιδίζονται περίπου κάθε έξι μήνες από τον Μάιο και μετέπειτα.



## Συντήρηση

Το εργαλείο σας έχει σχεδιαστεί έτσι ώστε να λειτουργεί για μεγάλη χρονική περίοδο με την ελάχιστη δυνατή συντήρηση. Η αδιάλειπτη και κανονική λειτουργία του εργαλείου εξαρτάται από τη φροντίδα και τον τακτικό καθαρισμό.

**Προειδοποίηση!** Πριν από οποιαδήποτε εργασία συντήρησης στο εργαλείο, θα πρέπει να το σβήσετε και να το βγάλετε από την πρίζα.

- ◆ Μετά τη χρήση, καθαρίζετε προσεκτικά τις λεπίδες. Μετά τον καθαρισμό, απλώστε μια στρώση ελαφίου λαδιού μηχανής για να αποφύγετε το σκουρίσισμα των λεπίδων.
- ◆ Να καθαρίζετε τακτικά τις εγκοπές εξερισμού του εργαλείου σας χρησιμοποιώντας μαλακή βούρτσα ή στεγνό πανί.
- ◆ Να καθαρίζετε τακτικά το περίβλημα του μοτέρ χρησιμοποιώντας ένα υγρό πανί. Μη χρησιμοποιείτε αποξεστικά καθαριστικά ή υγρά καθαρισμού που περιέχουν διαλύτες.
- ◆ Βεβαιωθείτε ότι όλοι οι διακόπτες δεν έχουν απορρίμματα πριν και μετά τη χρήση.

## Αφαίρεση του προφυλακτήρα (εικ. Α)

**Προειδοποίηση!** Αφαιρέστε τον προφυλακτήρα μόνο για λόγους επισκευής. Τοποθετήστε πάντα τον προφυλακτήρα μετά το τέλος της συντήρησης.

- ◆ Χαλαρώστε τις βίδες (9) και βγάλτε τις.
- ◆ Ολισθήστε το προστατευτικό (4) έξω από το εργαλείο.

## Αντιμέτωπιση προβλημάτων

Αν το εργαλείο δεν λειτουργεί σωστά, ελέγξτε τα ακόλουθα:

Πρόβλημα	Πιθανή αιτία	Λύση
Το εργαλείο δεν ξεκινά	Καμένη ασφάλεια	Αντικαταστήστε την ασφάλεια
	Ενεργοποιημένο RCD	Ελέγξτε το RCD
	Το καλώδιο τροφοδοσίας δεν είναι συνδεδεμένο	Ελέγξτε την παροχή ρεύματος

## Διάθεση εργαλείων και περιβάλλον



Ξεχωριστή συλλογή. Αυτό το προϊόν δεν πρέπει να απορριφθεί με συνηθισμένα σπιτικά απορρίμματα.

Εάν κάποια μέρα διαπιστώσετε ότι το προϊόν σας Black & Decker χρειάζεται αντικατάσταση ή δεν σας χρησιμεύει πλέον, μην το απορρίψετε με τα σπιτικά απορρίμματα. Κάντε αυτό το προϊόν διαθέσιμο για ξεχωριστή συλλογή.



Η ξεχωριστή συλλογή χρησιμοποιημένων προϊόντων και συσκευασιών επιτρέπει την ανακύκλωση υλικών.

Η επανάχρηση ανακυκλωμένων υλικών βοηθάει την προστασία του περιβάλλον και μειώνει την ζήτηση για σπάνια υλικά.

Οι τοπικοί κανονισμοί μπορεί να παρέχουν ξεχωριστή συλλογή ηλεκτρικών προϊόντων από κατοικίες, δημοτικές τοποθεσίες απορριμμάτων ή από τον έμπορα όταν αγοράσατε το καινούργιο προϊόν.

Η Black & Decker δίνει τη δυνατότητα συλλογής και ανακύκλωσης των προϊόντων της που έχουν συμπληρώσει τη διάρκεια ζωής τους. Αν θέλετε να χρησιμοποιήσετε την εν λόγω υπηρεσία, επιστρέψτε το προϊόν σας σε οποιοδήποτε εξουσιοδοτημένο κέντρο επισκευών, όπου θα το παραλάβουν εκ μέρους σας.

Ενημερωθείτε για το πλησιέστερο κέντρο επισκευών της περιοχής σας, επικοινωνώντας με τα γραφεία της Black & Decker στη διεύθυνση που αναγράφεται στο εγχειρίδιο. Επίσης, για να πληροφορηθείτε τα εξουσιοδοτημένα κέντρα επισκευών της Black & Decker και τις λεπτομέρειες και τους αρμόδιους των υπηρεσιών που παρέχονται μετά την πώληση, μπορείτε ανατρέξτε στο Διαδίκτυο στη διεύθυνση: [www.2helpU.com](http://www.2helpU.com)

## Τεχνικά χαρακτηριστικά

	GT450	GT480	GT501
Τάση	V <sub>AC</sub> 230	230	230
Ισχύς εισόδου	W 450	450	500
Διαδρομές λεπίδας (χωρίς φορτίο)	min <sup>-1</sup> 1.700	1.700	1.700
Μήκος λεπίδας	cm 42	51	51
Διάκενο λεπίδας	mm 20	20	20
Χρόνος πέδησης λεπίδας	s < 1,0	< 1,0	< 1,0
Βάρος (χωρίς καλώδιο τροφοδοσίας)	kg 2,9	3,0	3,0

	GT502	GT510	GT515
Τάση	V <sub>AC</sub> 230	230	230
Ισχύς εισόδου	W 520	500	550
Διαδρομές λεπίδας (χωρίς φορτίο)	min <sup>-1</sup> 1.700	1.700	1.700
Μήκος λεπίδας	cm 55	55	55
Διάκενο λεπίδας	mm 20	20	20
Χρόνος πέδησης λεπίδας	s < 1,0	< 1,0	< 1,0
Βάρος (χωρίς καλώδιο τροφοδοσίας)	kg 3,1	3,1	3,1

	GT516	GT517
Τάση	V <sub>AC</sub> 230	230
Ισχύς εισόδου	W 520	550
Διαδρομές λεπίδας (χωρίς φορτίο)	min <sup>-1</sup> 1.700	1.700
Μήκος λεπίδας	cm 61	61
Διάκενο λεπίδας	mm 20	20
Χρόνος πέδησης λεπίδας	s < 1,0	< 1,0
Βάρος (χωρίς καλώδιο τροφοδοσίας)	kg 3,2	3,2

## Δήλωση συμμόρφωσης με την Ευρωπαϊκή Κοινότητα

GT450/GT480/GT501/GT502/GT510/GT515/GT516/GT517  
 Η Black & Decker δηλώνει ότι τα προϊόντα αυτά συμμορφώνονται με:  
 98/37/EK, 89/336/EOK, EN 50144, EN 55014, EN 61000,  
 2000/14/EC, Κλαδέματος θάμνων, ≤ 500 W, Παράρτημα V

Στάθμη πίεσης ήχου, μετρημένη σύμφωνα με το πρότυπο 2000/14/EK:

L<sub>PA</sub> (πίεση ήχου) 88 dB(A), L<sub>WA</sub> (ακουστική ισχύς) 101 dB(A),  
 L<sub>WA</sub> (εγγυημένη) 102 dB(A)

Τιμή χειροβραχιονικής δόνησης σύμφωνα με το πρότυπο EN 50144: < 2,5 m/s<sup>2</sup>



Kevin Hewitt

Διευθυντής Εξυπηρέτησης Πελατών  
 Spennymoor, County Durham DL16 6JG,  
 Αγγλία  
 1-10-2007

- ◆ Έχει γίνει εσφαλμένη χρήση του προϊόντος ή αν έχει παραμεληθεί
- ◆ Το προϊόν έχει υποστεί βλάβη από άλλα αντικείμενα, από ουσίες ή λόγω ατυχήματος
- ◆ Έχει γίνει προσπάθεια επισκευής από μη εξουσιοδοτημένα κέντρα επισκευών ή από προσωπικό που δεν ανήκει στο προσωπικό της Black & Decker

Για να ισχύσει η εγγύηση, πρέπει να υποβάλετε απόδειξη αγοράς στον πωλητή ή το εξουσιοδοτημένο κέντρο επισκευών. Ενημερωθείτε για το πλησιέστερο κέντρο επισκευών της περιοχής σας, επικοινωνώντας με τα γραφεία της Black & Decker στη διεύθυνση που αναγράφεται στο εγχειρίδιο. Επίσης, για να πληροφορηθείτε για τα εξουσιοδοτημένα κέντρα επισκευών της Black & Decker, τις λεπτομέρειες και τους αρμόδιους των υπηρεσιών που παρέχονται μετά την πώληση, μπορείτε να ανατρέξετε στο Διαδίκτυο στη διεύθυνση: [www.2helpU.com](http://www.2helpU.com)

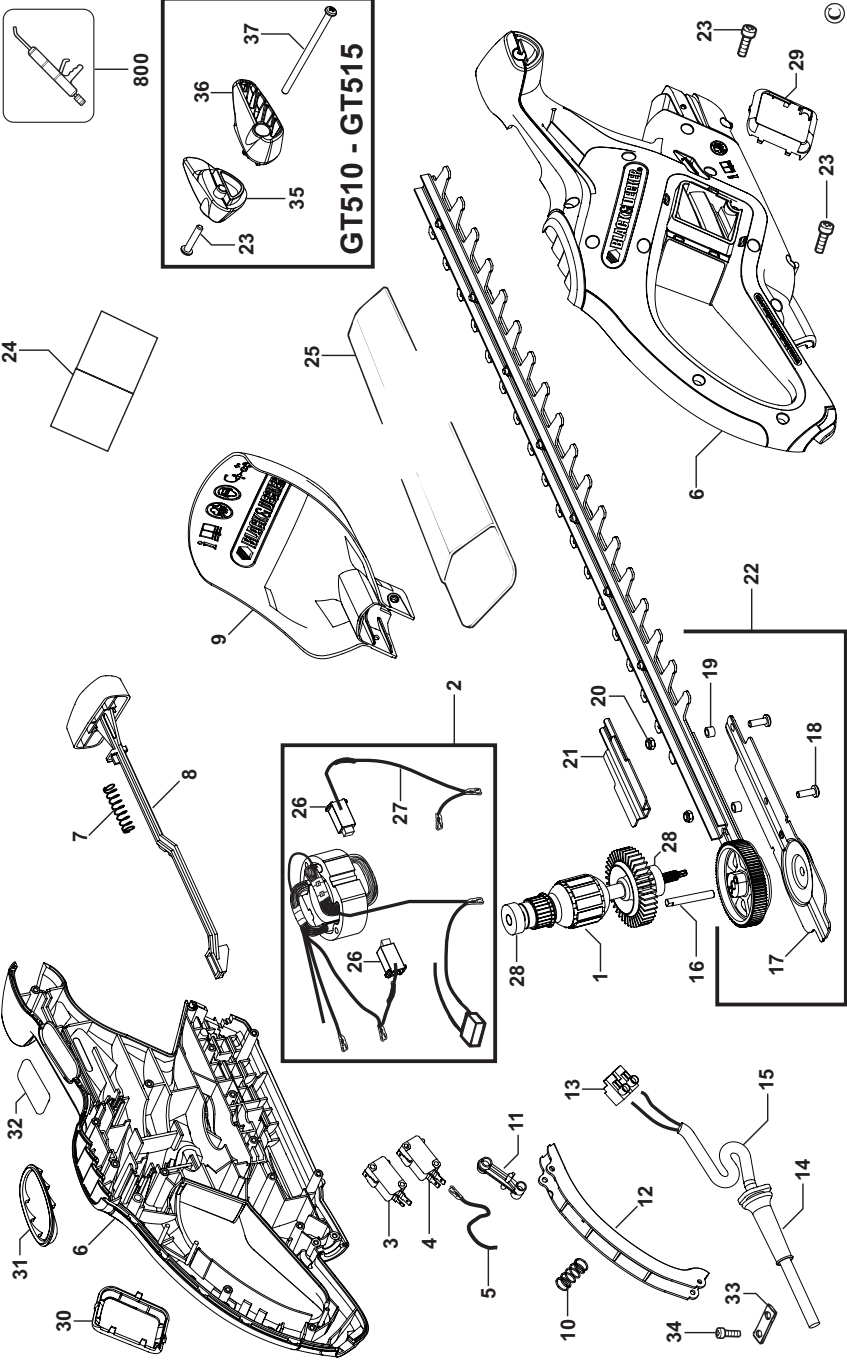
Παρακαλούμε να επισκεφθείτε την ιστοσελίδα μας [www.blackanddecker.eu](http://www.blackanddecker.eu) για να καταχωρήσετε το νέο σας προϊόν Black & Decker και για να ενημερώνετε για τα νέα προϊόντα και τις ειδικές προσφορές. Περισσότερες πληροφορίες σχετικά με τη μάρκα Black & Decker και τη σειρά προϊόντων μας θα βρείτε στη διεύθυνση [www.blackanddecker.eu](http://www.blackanddecker.eu)

## Εγγύηση

Η Black & Decker είναι σίγουρη για την ποιότητα των προϊόντων της και παρέχει σημαντική εγγύηση. Η παρούσα γραπτή εγγύηση αποτελεί πρόσθετο δικαίωμά σας και δεν ζημιώνει τα συνταγματικά σας δικαιώματα. Η εγγύηση ισχύει εντός της επικράτειας των Κρατών Μελών της Ευρωπαϊκής Ένωσης και της Ευρωπαϊκής Ζώνης Ελευθέρων Συναλλαγών.

Σε περίπτωση που κάποιο προϊόν της Black & Decker παρουσιάσει βλάβη εξαιτίας ελαττωματικών υλικών, ποιότητας εργασίας ή έλλειψης συμφωνίας με τις προδιαγραφές εντός 24 μηνών από την ημερομηνία αγοράς, η Black & Decker εγγυάται την αντικατάσταση των ελαττωματικών τμημάτων, την επισκευή προϊόντων που έχουν υποστεί εύλογη φθορά λόγω χρήσης ή την αντικατάσταση των προϊόντων προκειμένου να εξασφαλίσει την ελάχιστη ενόχληση στους πελάτες της, εκτός αν:

- ◆ Το προϊόν έχει χρησιμοποιηθεί σε εργασιακό, επαγγελματικό περιβάλλον ή αν έχει εννοικιαστεί







<b>België/Belgique</b>	Black & Decker (Belgium) N.V. Nieuwlandlaan 7 I.Z. Aarschot B156 3200 Aarschot	Tel. Fax	016 68 91 00 016 68 91 11
<b>Danmark</b>	Black & Decker Sluseholmen 2-4, 2450 København SV Internet: <a href="http://www.blackanddecker.dk">www.blackanddecker.dk</a>	Tel. Fax	70 20 15 10 70 22 49 10
<b>Deutschland</b>	Black & Decker GmbH Black & Decker Str. 40, D - 65510 Idstein	Tel. Fax	06126/21 - 0 06126/21 29 80
<b>Ελλάδα</b>	Black & Decker (Ελλάς) Α.Ε. Σπύρβωνος 7 & Λεωφ. Βουλιαγμένης 159 166 74 Γλυφάδα - Αθήνα	Τηλ. Φαξ <a href="http://www.blackanddecker.eu">www.blackanddecker.eu</a>	210 8981616 210 8983285
<b>España</b>	Black & Decker Ibérica, S.C.A. Parc de Negocis "Mas Blau" Edificio Muntadas, c/Bergadá, 1, Of. A6 08820 El Prat de Llobregat (Barcelona)	Tel. Fax	934 797 400 934 797 419
<b>France</b>	Black & Decker (France) S.A.S. 5 allée des Hêtres B.P. 30084 69579 Limonest Cédex	Tel. Fax	04 72 20 39 20 04 72 20 39 00
<b>Helvetia</b>	ROFO AG Gewerbezone Seeblick 3213 Kleinbödingen	Tel. Fax	026-6749391 026-6749394
<b>Italia</b>	Black & Decker Italia SpA Viale Elvezia 2 20052 Monza (MI)	Tel. Fax Numero verde	039-23871 039-2387592/2387594 800-213935
<b>Nederland</b>	Black & Decker Benelux Joulehof 12, 4622 RG Bergen op Zoom	Tel. Fax	0164 - 283000 0164 - 283100
<b>Norge</b>	Black & Decker (Norge) A/S Postboks 4814, Nydalen, 0422 Oslo Internet: <a href="http://www.blackanddecker.no">www.blackanddecker.no</a>	Tlf. Fax	22 90 99 00 22 90 99 01
<b>Österreich</b>	Black & Decker Vertriebsges.m.b.H Oberlaaerstraße 246, A1100 Wien	Tel. Fax	01 66116-0 01 66116-14
<b>Portugal</b>	Black & Decker Rua Egas Moniz 173 S. João do Estoril 2766-651 Estoril	Tel. Fax	214667500 214667580
<b>Suomi</b>	Black & Decker Oy Keilasatama 3, 02150 Espoo Black & Decker Oy, Kägelhamnen 3, 02150 Esbo	Puh. Faksi Tel. Fax	010 400 430 (09) 2510 7100 010 400 430 (09) 2510 7100
<b>Sverige</b>	Black & Decker AB Box 94, 431 22 Mölndal	Tel. Fax	031-68 60 60 031-68 60 80
<b>United Kingdom</b>	Black & Decker 210 Bath Road Slough, Berkshire SL1 3YD	Tel. Fax Helpline	01753 511234 01753 551155 01753 574277
<b>Middle East &amp; Africa</b>	Black & Decker (Overseas) A.G. PB 5420, Dubai, United Arab Emirates	Tel. Fax	+971 4 2826464 +971 4 2826466

Dealer address  
Händleradresse  
Cachet du revendeur  
Indirizzo del rivenditore  
Adres van de dealer  
Dirección del detallista  
Morada do revendedor  
Återförsäljarens adress  
Forhandlerens adresse  
Forhandler adresse  
Jälleenmyyjän osoite  
Διεύθυνση αντιπροσώπου

Date of purchase  
Kaufdatum  
Date d'achat  
Data d'acquisto  
Aankoopdatum  
Fecha de compra  
Data de compra  
Inkõpsdato  
Inkõpsdato  
Ostopäivä  
Ημερομηνία αγοράς

◆ Name ◆ Nom ◆ Nome  
◆ Naam ◆ Nombre ◆ Nome ◆ Namn  
◆ Navn ◆ Navn ◆ Nimi ◆ Διεύθυνση:

◆ Is this tool a gift? ◆ Ist dieses Gerät ein Geschenk? ◆ S'agit-il d'un cadeau? ◆ Si tratta di un regalo? ◆ Kreeg u de machine als cadeau? ◆ Ha recibido usted esta herramienta como regalo? ◆ Recebeu esta ferramenta como presente? ◆ Ar verkjøyet en gave? ◆ Er verkjøyet en gave? ◆ Onko kante lahja? ◆ Το εργαλείο είναι δώρο;

◆ Yes ◆ Ja ◆ Oui ◆ Si ◆ Ja ◆ Si  
 ◆ Sim ◆ Ja ◆ Ja ◆ Ja ◆ Kyllä ◆ Nai

◆ No ◆ Nein ◆ Non ◆ No ◆ Nee  
◆ No ◆ Não ◆ Nej ◆ Nei ◆ Nej  
 ◆ Ei ◆ Oxi

◆ Dealer address ◆ Händleradresse  
◆ Cachet du revendeur ◆ Indirizzo del rivenditore ◆ Adres van de dealer  
◆ Dirección del detallista ◆ Morada do revendedor ◆ Återförsäljarens adress  
◆ Forhandlerens adresse ◆ Forhandler adresse  
◆ Jälleenmyyjän osoite  
◆ Διεύθυνση αντιπροσώπου

◆ Address ◆ Adresse ◆ Adresse ◆ Indirizzo ◆ Adres ◆ Dirección ◆ Morada ◆ Address ◆ Adresse ◆ Adresse ◆ Osoite ◆ Διεύθυνση:

◆ Town ◆ Ort ◆ Ville ◆ Città ◆ Plaats  
◆ Ciudad ◆ Localidade ◆ Ort ◆ By  
◆ Paikkakunta ◆ Πόλη:

◆ Is this tool your first purchase? ◆ Ist dieses Gerät ein Erstkauf? ◆ Est-ce un 1er achat? ◆ Questo prodotto è il suo primo acquisto? ◆ Is deze machine uw eerste aankoop? ◆ Es esta herramienta la primera de este tipo? ◆ Esta ferramenta é a sua primeira compra? ◆ Ar detta ditt första B&D-verktyg? ◆ Er dette ditt første B&D verktyg? ◆ Onko tämä ensimmäinen B&D-koneesi? ◆ Είναι το εργαλείο αυτό η πρώτη σας αγορά;

◆ Postal code ◆ Postleitzahl ◆ Code postal  
◆ Codice postale ◆ Postcode  
◆ Código ◆ Código postal ◆ Postnr.  
◆ Postnr. ◆ Postnr. ◆ Postnummero  
◆ Κωδικός

Cat. no.:



◆ Data protection act: Tick the box if you prefer not to receive further information.  
◆ Bitte ankreuzen, falls Sie keine weiteren Informationen erhalten möchten. ◆ Si vous ne souhaitez pas recevoir d'informations, cochez cette case. ◆ Barrate la casella se non desiderate ricevere informazioni.  
◆ A.u.b. dit vakje aankruisen indien u geen informatie wenst te ontvangen.  
◆ Señale en la casilla sino quiere recibir información. ◆ Por favor, assinala com uma cruz se não desejar receber informação.  
◆ Vänligen kryssa för i rutan om Ni inte vill ha information.  
◆ Vennligst kryss av dersom du ikke ønsker informasjon. ◆ Venligst sæt kryds i ruden såfremt De ikke måtte ønske at modtage information.  
◆ Merkittäki rasti ruutuun, mikäli ette halua vastaanottaa informaatiota.  
◆ Παρακαλείστε να σημειώσετε εάν δεν θέλετε να λάβετε πληροφορίες.

- ◆ GUARANTEE CARD
- ◆ GARANTIEKART
- ◆ GARANTI KORT
- ◆ GARANTIEKARTE
- ◆ TARJETA DE GARANTÍA
- ◆ GARANTI KORT
- ◆ CARTE DE GARANTIE
- ◆ CARTÃO DE GARANTIA
- ◆ TAKUUKORTTI
- ◆ TAGLIANDO DI GARANZIA
- ◆ GARANTIBEVIS
- ◆ ΚΑΡΤΑ ΕΓΓΥΗΣΗΣ



<b>English</b>	Please complete this section immediately after the purchase of your tool and send it to Black & Decker in your country.	<b>Português</b>	Por favor, recorte esta parte, coloque-a num envelope selado e endereçado e envie-o logo após a compra do seu produto para o endereço da Black & Decker do seu país.
<b>Deutsch</b>	Bitte schneiden Sie diesen Abschnitt ab, stecken ihn in einen frankierten Umschlag und schicken ihn an die Black & Decker Adresse Ihres Landes.	<b>Svenska</b>	Var vänlig klipp ur denna del och sänd den i ett frankerat kuvert till Black & Deckers adress i Ditt land.
<b>Français</b>	Découpez cette partie et envoyez-la sous enveloppe timbrée à l'adresse de Black & Decker dans votre pays, ceci immédiatement après votre achat.	<b>Norsk</b>	Vennligst klipp ut denne delen umiddelbart etter du har pakket ut ditt produkt og legg det i en adressert konvolutt til Black & Decker (Norge) A/S.
<b>Italiano</b>	Per favore ritagliate questa parte, inseritela in una busta con francobollo e spediteola subito dopo l'acquisto del prodotto all'indirizzo della Black & Decker nella vostra nazione.	<b>Dansk</b>	Venligst klip denne del ud og send frankeret til Black & Decker i dit land.
<b>Nederlands</b>	Knip dit gedeelte uit en zend het direct na aankoop in een gefrankeerde, geaddresseerde enveloppe naar het adres van Black & Decker in uw land.	<b>Suomi</b>	Leikkaa irti tämä osa, laita se kuoreen ja postita kuori paikalliseen Black & Decker osoitteeseen.
<b>Español</b>	Después de haber comprado su herramienta envíe usted, por favor, esta tarjeta a la central de Black & Decker en su país.	<b>Ελληνικά</b>	Παράκαλι κόψτε αυτό το κομμάτι και τοχυθούποιήσατε το αμέσως μετά την αγορά του προϊόντος σας στην διεύθυνση της Black & Decker στην Ελλάδα.