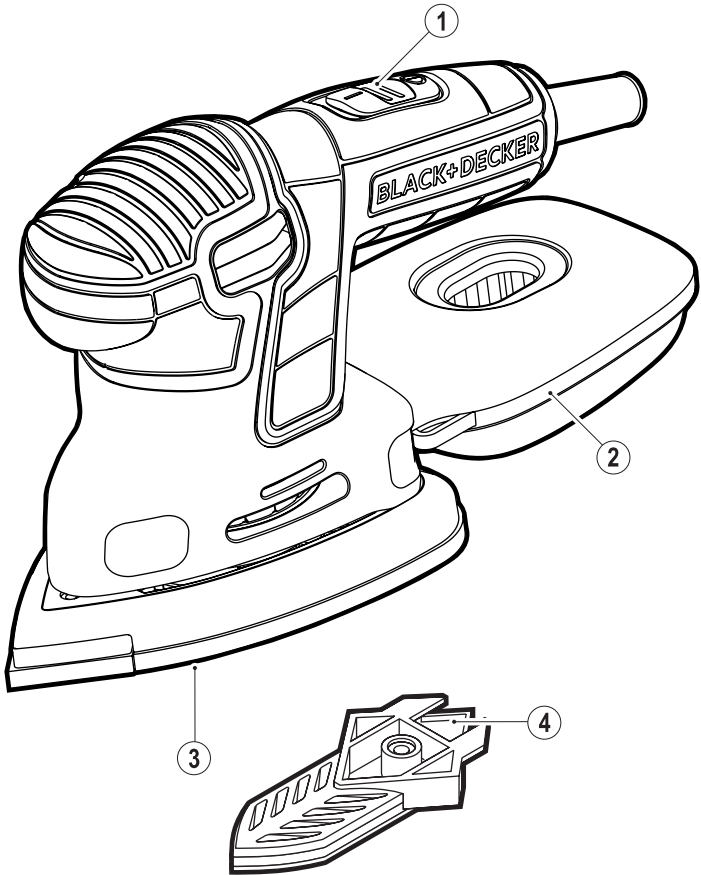
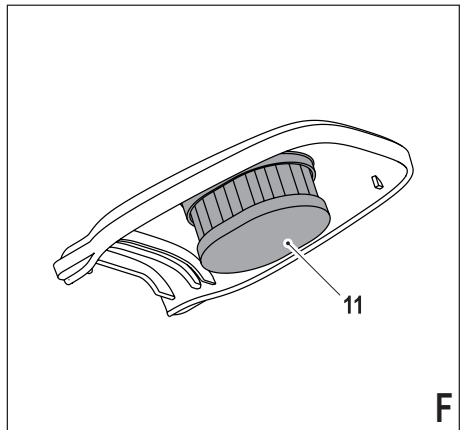
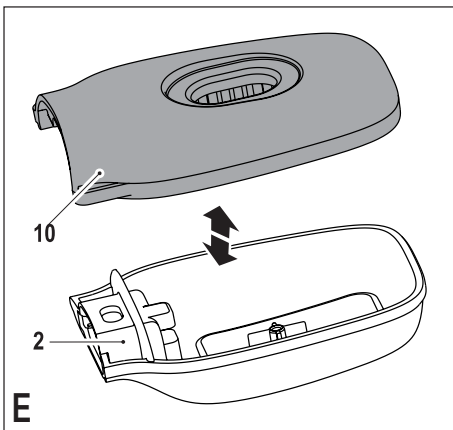
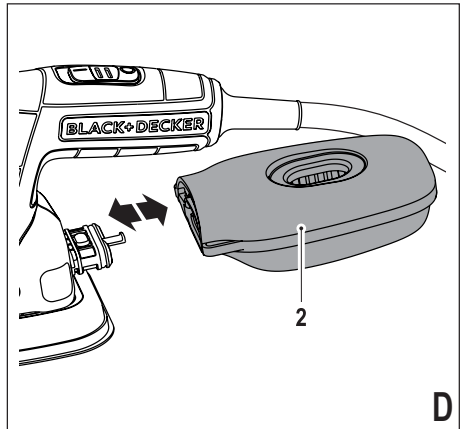
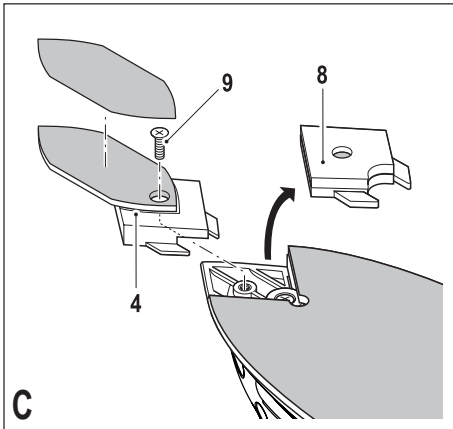
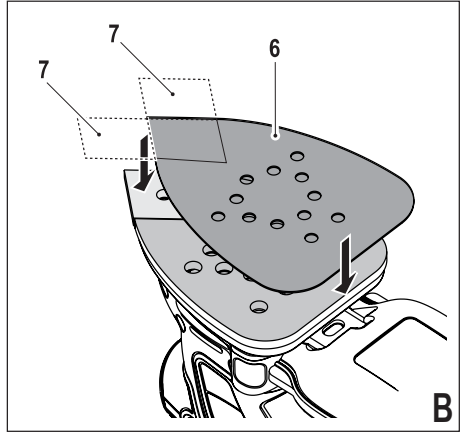
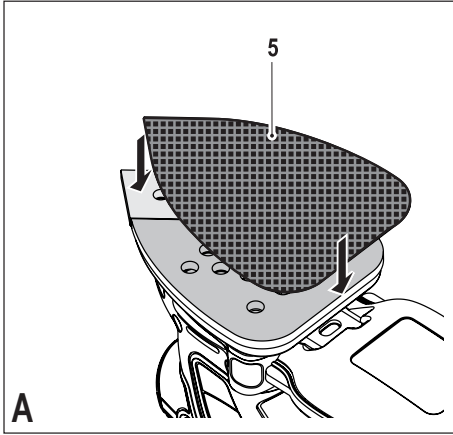


[www.blackanddecker.com](http://www.blackanddecker.com)

**KA2000**  
**KA2500**

EN  
FR  
PT  
RU  
TR  
UA  
AR





## Intended use

Your BLACK+DECKER sander has been designed for sanding wood, metal, plastics and painted surfaces. This tool is intended for consumer use only.

## Safety instructions

### General power tool safety warnings



**Warning! Read all safety warnings and all instructions.** Failure to

follow the warnings and instructions listed below may result in electric shock, fire and/or serious injury.

### Save all warnings and instructions for future reference.

The term “power tool” in all of the warnings listed below refers to your mains operated (corded) power tool or battery operated (cordless) power tool.

#### 1. Work area safety

- a. **Keep work area clean and well lit.**  
Cluttered or dark areas invite accidents.
- b. **Do not operate power tools in explosive atmospheres, such as in the presence of flammable liquids, gases or dust.** Power tools create sparks which may ignite the dust or fumes.
- c. **Keep children and bystanders away while operating a power tool.**  
Distractions can cause you to lose control.

#### 2. Electrical safety

- a. **Power tool plugs must match the outlet. Never modify the plug in any way. Do not use any adapter plugs with earthed (grounded) power tools.** Unmodified plugs and matching outlets will reduce risk of electric shock.
- b. **Avoid body contact with earthed or grounded surfaces such as pipes, radiators, ranges and refrigerators.**  
There is an increased risk of electric shock if your body is earthed or grounded.

- c. **Do not expose power tools to rain or wet conditions.** Water entering a power tool will increase the risk of electric shock.
- d. **Do not abuse the cord. Never use the cord for carrying, pulling or unplugging the power tool. Keep cord away from heat, oil, sharp edges or moving parts.** Damaged or entangled cords increase the risk of electric shock.
- e. **When operating a power tool outdoors, use an extension cord suitable for outdoor use.** Use of a cord suitable for outdoor use reduces the risk of electric shock.
- f. **If operating a power tool in a damp location is unavoidable, use a residual current device (RCD) protected supply.** Use of an RCD reduces the risk of electric shock.

#### 3. Personal safety

- a. **Stay alert, watch what you are doing and use common sense when operating a power tool. Do not use a power tool while you are tired or under the influence of drugs, alcohol or medication.** A moment of inattention while operating power tools may result in serious personal injury.
- b. **Use personal protective equipment. Always wear eye protection.** Protective equipment such as dust mask, non-skid safety shoes, hard hat, or hearing protection used for appropriate conditions will reduce personal injuries.
- c. **Prevent unintentional starting. Ensure the switch is in the off-position before connecting to power source and/or battery pack, picking up or carrying the tool.** Carrying power tools with your finger on the switch or energising power tools that have the switch on invites accidents.
- d. **Remove any adjusting key or wrench before turning the power tool on.** A wrench or a key left attached to a rotating part of the power tool may result in personal injury.

**e. Do not overreach. Keep proper footing and balance at all times.** This enables better control of the power tool in unexpected situations.

**f. Dress properly. Do not wear loose clothing or jewellery. Keep your hair, clothing and gloves away from moving parts.** Loose clothes, jewellery or long hair can be caught in moving parts.

**g. If devices are provided for the connection of dust extraction and collection facilities, ensure these are connected and properly used.** Use of dust collection can reduce dust-related hazards.

#### 4. Power tool use and care

**a. Do not force the power tool. Use the correct power tool for your application.** The correct power tool will do the job better and safer at the rate for which it was designed.

**b. Do not use the power tool if the switch does not turn it on and off.** Any power tool that cannot be controlled with the switch is dangerous and must be repaired.

**c. Disconnect the plug from the power source and/or the battery pack from the power tool before making any adjustments, changing accessories, or storing power tools.** Such preventive safety measures reduce the risk of starting the power tool accidentally.

**d. Store idle power tools out of the reach of children and do not allow persons unfamiliar with the power tool or these instructions to operate the power tool.** Power tools are dangerous in the hands of untrained users.

**e. Maintain power tools. Check for misalignment or binding of moving parts, breakage of parts and any other condition that may affect the power tools operation. If damaged, have the power tool repaired before use.** Many accidents are caused by poorly maintained power tools.

**f. Keep cutting tools sharp and clean.**

Properly maintained cutting tools with sharp cutting edges are less likely to bind and are easier to control.

**g. Use the power tool, accessories and tool bits etc., in accordance with these instructions, taking into account the working conditions and the work to be performed.** Use of the power tool for operations different from those intended could result in a hazardous situation.

#### 5. Service

**a. Have your power tool serviced by a qualified repair person using only identical replacement parts.** This will ensure that the safety of the power tool is maintained.

#### Additional power tool safety warnings



**Warning!** Additional safety warnings for sanders



**Warning!** Contact with or inhalation of dusts arising from sanding applications may endanger the health of the operator and possible bystanders. Wear a dust mask specifically designed for protection against dust and fumes and ensure that persons within or entering the work area are also protected.

- **Hold power tool by insulated gripping surfaces when performing an operation where the cutting accessory may contact hidden wiring.** Accessory contacting a "live" wire may make exposed metal parts of the power tool "live" and could give the operator an electric shock

- **Use clamps or another practical way to secure and support the workpiece to a stable platform.** Holding the work by hand or against your body leaves it unstable and may lead to loss of control.



**Warning!** Take special care when sanding some woods (e.g. beech, oak) and metal which may produce toxic dust. Wear a dust mask specifically designed for protection against toxic dust and fumes and ensure that persons within or entering the work area are also protected.



**Warning!** Use this tool in a well ventilated area when sanding ferrous metals. Do not operate the tool near flammable liquids, gases or dust. Sparks or hot particles from sanding or arcing motor brushes may ignite combustible materials.



**Warning!** Do not sand magnesium! There is a risk of fire or explosions.

- Thoroughly remove all dust after sanding.
- The intended use is described in this instruction manual. The use of any accessory or attachment or performance of any operation with this tool other than those recommended in this instruction manual may present a risk of personal injury and/or damage to property.

### Safety when sanding paint

**Warning!** Observe the applicable regulations for sanding paint. Pay special attention to the following:

- Whenever possible, use a vacuum extractor for dust collection.
- Take special care when sanding paint which is possibly lead based and may produce toxic dust:
- Do not let children or pregnant women enter the work area.
- All persons entering the work area should wear a mask specially designed for protection against lead paint dust and fumes.
- Do not eat, drink or smoke in the work area.
- Dispose of dust particles and any other removal debris safely.

### Safety of others

- This appliance is not intended for use by persons (including children) with reduced physical, sensory or mental capabilities, or lack of experience and knowledge, unless they have been given supervision or instruction concerning use of the appliance by a person responsible for their safety.
- Children should be supervised to ensure

that they do not play with the appliance.

### Residual risks

Additional residual risks may arise when using the tool which may not be included in the enclosed safety warnings. These risks can arise from misuse, prolonged use etc. Even with the application of the relevant safety regulations and the implementation of safety devices, certain residual risks can not be avoided. These include:

- Injuries caused by touching any rotating/moving parts.
- Injuries caused when changing any parts, blades or accessories.
- Injuries caused by prolonged use of a tool. When using any tool for prolonged periods ensure you take regular breaks.
- Impairment of hearing.
- Health hazards caused by breathing dust developed when using your tool (example:- working with wood, especially oak, beech and MDF.)

### Vibration

The declared vibration emission values stated in the technical data and the declaration of conformity have been measured in accordance with a standard test method provided by EN 60745 and may be used for comparing one tool with another. The declared vibration emission value may also be used in a preliminary assessment of exposure.

**Warning!** The vibration emission value during actual use of the power tool can differ from the declared value depending on the ways in which the tool is used. The vibration level may increase above the level stated.

When assessing vibration exposure to determine safety measures required by 2002/44/EC to protect persons regularly using power tools in employment, an estimation of vibration exposure should consider, the actual conditions of use and the way the tool is used, including taking account of all parts of the operating cycle such as the times when the tool is switched off and when it is running idle in addition to the trigger time.

## Labels on tool

The following pictograms are shown on the tool:



**Warning!** To reduce the risk of injury, the user must read the instruction manual.

## Electrical safety



This tool is double insulated; therefore no earth wire is required. Always check that the power supply corresponds to the voltage on the rating plate.

- If the supply cord is damaged, it must be replaced by the manufacturer or an authorised BLACK+DECKER Service Centre in order to avoid a hazard.

## Using an extension cable

- Always use an approved extension cable suitable for the power input of this tool (see technical data). Before use, inspect the extension cable for signs of damage, wear and ageing. Replace the extension cable if damaged or defective. When using a cable reel, always unwind the cable completely. Use of an extension cable not suitable for the power input of the tool or which is damaged or defective may result in a risk of fire and electric shock.

## Features


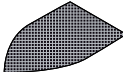
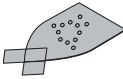
This tool includes some or all of the following features.

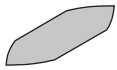
1. On/off switch
2. Dust collection canister
3. Sanding base
4. Finger attachment

## Accessories

The accessories supplied with your sander depend upon the model that you have purchased. All the accessories listed below are available in our Piranha® range. If you require an accessory that is listed below but is not supplied with your sander please visit our website at [www.blackanddecker.eu](http://www.blackanddecker.eu).

The performance of your tool depends on the accessory used. BLACK+DECKER and Piranha accessories are engineered to high quality standards and designed to enhance the performance of your tool. By using these accessories you will get the very best from your tool.

Item	Description
	<p><b>Detail finger.</b></p> <p>For small hard-to-reach areas. The detail finger can be used for light sanding and for sanding into corners.</p> <p><b>(Part Number - X32214-XJ)</b></p>
	<p><b>240 grit sanding mesh.</b></p> <p>For a fine finish for large detail sanding.</p> <p><b>(Part Number - X39132-XJ)</b></p> <p><b>120 grit sanding mesh.</b></p> <p>For a medium finish for large detail sanding.</p> <p><b>(Part Number - X39127-XJ)</b></p> <p><b>80 grit sanding mesh.</b></p> <p>For a coarse finish for large detail sanding.</p> <p><b>(Part Number - X39122-XJ)</b></p>
	<p><b>240 grit large detail sanding sheet with two replacement tips.</b></p> <p>For a fine finish for large detail sanding.</p> <p><b>(Part Number - X31019-XJ)</b></p> <p><b>120 grit large detail sanding sheet with two replacement tips.</b></p> <p>For a medium finish for large detail sanding.</p> <p><b>(Part Number - X31009-XJ)</b></p> <p><b>60 grit large detail sanding sheet with two replacement tips.</b></p> <p>For a coarse finish for large detail sanding.</p> <p><b>(Part Number - X31039-XJ)</b></p>



**120 grit detailed finger sanding sheet.**

For a medium finish for detailed sanding.

**(Part Number - X3277-XJ)**

## Assembly

**Warning!** Before assembly, make sure that the tool is switched off and unplugged.

### Fitting sanding mesh (fig. A)

- Hold the tool with the sanding base facing upwards.
- Place the sanding mesh (5) onto the sanding base, making sure that the holes in the sheet line up with the holes in the base.

### Fitting sanding sheets (fig. B - Optional accessory)

- Detach the two additional diamond-shaped tips (7) from the sanding sheet (6).

The diamond-shaped tip (7) can be reversed and replaced when worn.

- When the front part of the tip is worn, detach it from the sheet, reverse it and press it onto the sanding base again.
- When the whole tip is worn, remove it from the sanding base and fit a new tip.

For optimal dust collection, ensure the correct type of sanding paper is used.

### Finger attachment (fig. C)

The finger attachment is used for fine detail sanding.

- Remove the screw (9).
- Remove the diamond-shaped tip (8) from the sanding base.
- Fit the finger attachment (4) onto the sanding base.
- Fit and tighten the screw.

- Fit the appropriate sanding sheet onto the finger attachment.

### Fitting and removing the dust cassette (fig. D)

- Slide the dust cassette (2) onto the tool and make sure that it is securely located.
- To remove the dust cassette, pull it to the rear and off the tool.

## Use

**Warning!** Let the Otool work at its own pace. Do not overload.

### Switching on and off

- To switch the tool on, slide the on/off switch (1) to the forward position I.
- To switch the tool off, slide the on/off switch (1) to the back position O.

### Emptying the dust cassette (fig. D, E & F)

The dust cassette should be emptied every 10 minutes of use.

- While holding the tool, pull the dust cassette (2) off the tool.
- Remove the cassette lid (10).
- Shake the lid (10) and dust cassette (2) to empty the contents, the filter (11) inside the lid (10) can be cleaned with a soft dry brush.
- Refit the lid (10) to the dust cassette (2).
- Refit the dust cassette (2).

## Maintenance

Your tool has been designed to operate over a long period of time with a minimum of maintenance. Continuous satisfactory operation depends upon proper tool care and regular cleaning.

**Warning!** Before performing any maintenance, switch off and unplug the tool.

- Regularly clean the ventilation slots in your tool using a soft brush or dry cloth.



- Regularly clean the motor housing using a damp cloth. Do not use any abrasive or solvent-based cleaner.

## EC declaration of conformity

MACHINERY DIRECTIVE



KA2000 / KA2500

### Technical data

		KA2000 (Type 1)	KA2500 (Type 1)
Input voltage	V <sub>ac</sub>	220-240	220-240
Power input	W	120	120
Oscillations (no load)	min <sup>-1</sup>	28,000	28,000
Orbits (no load)	min <sup>-1</sup>	14,000	14,000
Sanding base surface	mm <sup>2</sup>	8161	8161
Weight	kg	1	1

BLACK+DECKER declares that these products described under "technical data" are in compliance with: 2006/42/EC, EN 60745-1, EN 60745-2-4

These products also comply with Directive 2014/30/EU and 2011/65/EU. For more information, please contact BLACK+DECKER at the following address or refer to the back of the manual.

The undersigned is responsible for compilation of the technical file and makes this declaration on behalf of BLACK+DECKER.

L<sub>pA</sub> (sound pressure) 73 dB(A), Uncertainty (K) 3 dB(A)

L<sub>WA</sub> (sound power) 84 dB(A), Uncertainty (K) 3 dB(A)

Vibration total values (triax vector sum) according to EN 60745:

Vibration emission value (ah) 7.0 m/s<sup>2</sup>, uncertainty (K) 1.5 m/s<sup>2</sup>

**R. Laverick**

Engineering Manager  
BLACK+DECKER Europe, 210 Bath Road,  
Slough,  
Berkshire, SL1 3YD  
United Kingdom  
10.2015

## Protecting the environment



Separate collection. This product must not be disposed of with normal household waste.

Should you find one day that your BLACK+DECKER product needs replacement, or if it is of no further use to you, do not dispose of it with household waste. Make this product available for separate collection.



Separate collection of used products and packaging allows materials to be recycled and used again. Reuse of recycled materials helps prevent environmental pollution and reduces the demand for raw materials.

Local regulations may provide for separate collection of electrical products from the household, at municipal waste sites or by the retailer when you purchase a new product.

BLACK+DECKER provides a facility for the collection and recycling of BLACK+DECKER products once they have reached the end of their working life. To take advantage of this service please return your product to any authorised repair agent who will collect them on our behalf.

You can check the location of your nearest authorised repair agent by contacting your local BLACK+DECKER office at the address indicated in this manual. Alternatively, a list of authorised BLACK+DECKER repair agents and full details of our after-sales service and contacts are available on the Internet at: [www.2helpU.com](http://www.2helpU.com).

## Guarantee

Black + Decker is confident of the quality of its products and offers an outstanding guarantee. This guarantee statement is in addition to and in no way prejudices your statutory rights.

If a Black + Decker product becomes defective due to faulty materials, workmanship or lack of conformity, within 24 months from the date of purchase, BLACK+DECKER guarantees to replace defective parts, repair products subjected to fair wear and tear or replace such products to make sure of the minimum inconvenience to the customer unless:

- The product has been used for trade, professional or hire purposes.
- The product has been subjected to misuse or neglect.
- The product has sustained damage through foreign objects, substances or accidents.
- Repairs have been attempted by persons other than authorised repair agents or Black + Decker service staff.

To claim on the guarantee, you will need to submit proof of purchase to the seller or an authorised repair agent. You can check the location of your nearest authorised repair agent by contacting your local BLACK+DECKER office at the address indicated in this manual. Alternatively, a list of authorised BLACK+DECKER repair agents and full details of our aftersales service and contacts are available on the Internet at: [www.2helpU.com](http://www.2helpU.com)

## Usage prévu

Votre ponceuse BLACK+DECKER a été spécialement conçue pour poncer le bois, le métal, le plastique et les surfaces peintes. Cet outil est destiné à une utilisation exclusivement domestique.

## Consignes de sécurité

### Consignes de sécurité concernant les outils électroportatifs



**Attention ! Lisez avec attention tous les avertissements et toutes les instructions.** Le non-respect de

cette consigne peut entraîner une électrocution, un incendie et/ou de graves blessures.

**Conservez tous les avertissements et instructions pour référence ultérieure.** La notion d'« outil électroportatif » mentionnée par la suite se rapporte à des outils électriques raccordés au secteur (avec câble de raccordement) ou fonctionnant avec piles (sans fil).

#### 1. Sécurité de la zone de travail

- a. **Maintenez la zone de travail propre et bien éclairée.** Un lieu de travail en désordre ou mal éclairé augmente le risque d'accidents.
- b. **N'utilisez pas les outils électroportatifs dans un environnement présentant des risques d'explosion ni en présence de liquides, gaz ou poussières inflammables.** Les outils électroportatifs génèrent des étincelles risquant d'enflammer les poussières ou les vapeurs.
- c. **Tenez les enfants et autres personnes éloignés durant l'utilisation de l'outil électroportatif.** En cas d'inattention, vous risquez de perdre le contrôle.

#### 2. Sécurité électrique

- a. **La prise de l'outil électroportatif doit être compatible avec la prise d'alimentation. Ne modifiez en aucun cas la prise. N'utilisez pas de prises d'adaptateur avec des appareils ayant une prise de terre.** Le respect de ces consignes réduit le risque de choc électrique.

- b. **Évitez le contact physique avec des surfaces mises à la terre telles que tuyaux, radiateurs, fours et réfrigérateurs.** Il y a un risque élevé de choc électrique si votre corps est relié à la terre.
- c. **N'exposez pas l'outil électroportatif à la pluie ou à l'humidité.** La pénétration d'eau dans un outil électroportatif augmente le risque de choc électrique.
- d. **Préservez le câble d'alimentation. N'utilisez pas le câble pour porter l'outil. Ne le tirez pas pour le débrancher. Maintenez le câble éloigné des sources de chaleurs, des parties huilées, des bords tranchants ou des parties de l'appareil en rotation.** Le risque de choc électrique augmente si les câbles sont endommagés ou emmêlés.
- e. **Si vous utilisez l'outil électroportatif à l'extérieur, utilisez une rallonge homologuée pour une utilisation à l'extérieur.** L'utilisation d'une rallonge électrique homologuée pour les travaux à l'extérieur réduit le risque de choc électrique.
- f. **Si l'outil doit être utilisé dans un endroit humide, prenez les précautions nécessaires en utilisant un dispositif à courant résiduel (RCD).** L'utilisation d'un tel dispositif réduit les risques d'électrocution.

#### 3. Sécurité personnelle

- a. **Restez vigilant, surveillez ce que vous faites. Faites preuve de bon sens quand vous utilisez un outil électroportatif. N'utilisez pas l'outil lorsque vous êtes fatigué ou après avoir consommé de l'alcool ainsi que des médicaments.** Un moment d'inattention lors de l'utilisation de l'outil peut entraîner de graves blessures.
- b. **Portez un équipement de protection. Portez toujours des lunettes de protection.** Selon le travail à effectuer, le port d'équipement de protection tels que masque anti-poussières, casques de sécurité antidérapantes, casque ou protection auditive, réduit le risque de blessures.

- c. Évitez un démarrage imprévu. L'outil doit être en position OFF (arrêt) avant d'effectuer le branchement à l'alimentation et/ou au bloc-batterie, de le ramasser ou de le porter.** Ne laissez pas votre doigt sur le bouton de commande en le transportant. N'alimentez pas l'outil si le bouton est activé. Ceci pourrait être à l'origine d'accident.
- d. Enlevez tout outil ou clé de réglage avant de mettre l'appareil en marche.** Une clé ou un outil se trouvant sur une pièce en rotation peut causer des blessures.
- e. Adoptez une position confortable. Adoptez une position stable et gardez votre équilibre en permanence.** Vous contrôlerez mieux l'outil dans des situations inattendues.
- f. Portez des vêtements appropriés. Ne portez pas de vêtements amples ou de bijoux. N'approchez pas les cheveux, vêtements ou gants des parties des pièces mobiles.** Les vêtements amples, les bijoux ou les cheveux longs peuvent s'accrocher dans les pièces en mouvement.
- g. En cas d'utilisation d'appareils servant à aspirer ou à recueillir les poussières, assurez-vous qu'ils sont correctement raccordés et utilisés.** L'utilisation de tels dispositifs réduit les dangers dus aux poussières.
- 4. Utilisation des outils électroportatifs et précautions**
- a. Respectez la capacité de l'outil. Utilisez l'outil électroportatif correspondant au travail à effectuer.** Avec un outil approprié, vous travaillerez mieux et en toute sécurité.
- b. N'utilisez pas un outil électroportatif dont l'interrupteur est défectueux.** Un outil électroportatif qui ne peut plus être mis en marche/arrêt présente un danger et doit être réparé.
- c. Retirez la prise de courant et/ou débranchez le bloc-batterie avant d'effectuer des réglages, de changer les accessoires ou de ranger l'outil.** Cette mesure de précaution empêche de mettre l'outil en marche accidentellement.
- d. Rangez les outils électroportatifs hors de portée des enfants. Les personnes ne connaissant pas l'outil ou n'ayant pas lu ces instructions ne doivent en aucun cas l'utiliser.** Les outils électroportatifs sont dangereux lorsqu'ils sont utilisés par des personnes non initiées.
- e. Entretenez les outils électroportatifs. Vérifiez que les parties mobiles fonctionnent correctement et qu'elles ne sont pas coincées. Vérifiez qu'il n'y a pas de pièces cassées ou endommagées susceptibles de nuire au bon fonctionnement de l'outil. S'il est endommagé, faites réparer l'outil avant de l'utiliser.** De nombreux accidents sont dus à des outils électroportatifs mal entretenus.
- f. Maintenez les outils de coupe aiguisés et propres.** Des outils soigneusement entretenus avec des bords tranchants bien aiguisés se coincent moins souvent et peuvent être guidés plus facilement.
- g. Utilisez les outils électroportatifs, les accessoires, etc., en suivant ces instructions et en tenant compte des conditions de travail, ainsi que du travail à effectuer.** L'utilisation des outils électroportatifs à d'autres fins que celles prévues peut vous mettre en situation dangereuse.
- 5. Réparations**
- a. Faites réparer votre outil électroportatif uniquement par du personnel qualifié et seulement avec des pièces de rechange appropriées.** Cela garantira le maintien de la sécurité de votre outil.

### Consignes de sécurité supplémentaires concernant les outils électriques



**Attention !** Instructions de sécurité supplémentaires pour ponceuses



**Attention !** Tout contact ou inhalation de poussières pendant le ponçage peut présenter un danger pour la santé de l'opérateur et des personnes éventuellement présentes à proximité. Portez un masque antipoussières spécialement conçu pour vous protéger des poussières et des fumées toxiques et veillez à ce que les personnes se trouvant à l'intérieur de la zone de travail ou y pénétrant soient également protégées.

- **Tenez l'outil électrique au niveau des surfaces de prise isolées lorsque vous l'utilisez dans des endroits où l'accessoire de coupe peut entrer en contact avec des fils cachés.** Tout contact de l'accessoire avec un fil « sous tension » pourrait transférer une charge électrique aux parties métalliques exposées de l'outil électrique et exposer l'opérateur à un choc électrique
- **Utilisez des pinces ou autres pour fixer et soutenir la pièce de manière stable.** Si vous la tenez à la main ou contre votre corps, elle ne sera pas stable et vous pourriez en perdre le contrôle.



**Attention !** Prenez des précautions particulières lorsque vous poncez certains bois (notamment du hêtre ou du chêne) ainsi que du métal susceptibles de produire des poussières toxiques. Portez un masque antipoussières spécialement conçu pour vous protéger des poussières et des fumées toxiques et veillez à ce que les personnes se trouvant à l'intérieur de la zone de travail ou y pénétrant soient également protégées.



**Attention !** Pour poncer des métaux ferreux, utilisez l'outil dans un endroit bien aéré. N'utilisez pas l'outil à proximité de liquides, de gaz ou de poussières inflammables. Les étincelles et les particules chaudes provenant des balais de moteur pendant le ponçage ou la formation d'un arc peuvent enflammer les matériaux combustibles.



**Attention !** Ne poncez pas du magnésium ! Cela risquerait de provoquer un incendie ou une explosion.

- Éliminez complètement toutes les poussières après le ponçage.
- L'usage prévu de l'outil est décrit dans le présent manuel d'instructions. L'utilisation d'un accessoire ou d'une fixation, ou bien l'utilisation de cet outil à d'autres fins que celles recommandées dans ce manuel d'instructions peut entraîner des blessures corporelles et/ou des dommages matériels.

## Sécurité pendant le ponçage de peinture



**Attention !** Respectez les réglementations applicables lorsque vous poncez de la peinture.

Accordez une attention particulière aux points suivants :

- Dans la mesure du possible, utilisez un aspirateur pour collecter les poussières.
- Soyez particulièrement prudent lorsque vous poncez de la peinture susceptible de contenir du plomb, car cela pourrait produire des poussières toxiques :
- Ne laissez pas les enfants ou les femmes enceintes entrer dans la zone de travail.
- Toutes les personnes qui pénètrent dans la zone de travail doivent porter un masque spécialement conçu pour assurer une protection contre les poussières et fumées de peinture contenant du plomb.
- Ne mangez pas, ne buvez pas ou ne fumez pas dans la zone de travail.
- Éliminez les particules de poussières et autres débris en toute sécurité.

## Sécurité des personnes

- Cet appareil ne doit pas être utilisé par des personnes (y compris les enfants) ayant des déficiences physiques, mentales ou sensorielles ou qui manquent d'expérience et de connaissance, sans avoir reçu les instructions appropriées à l'utilisation de l'appareil ou être encadrées par une personne responsable de leur sécurité.
- Ne laissez jamais les enfants sans surveillance pour éviter qu'ils ne jouent avec cet outil.

## Risques résiduels

L'utilisation d'un outil non mentionné dans les consignes de sécurité données peut entraîner des risques résiduels supplémentaires. Ces risques peuvent survenir si l'appareil est mal utilisé, si l'utilisation est prolongée, etc. Malgré l'application des normes de sécurité correspondantes et la présence de dispositifs de sécurité, les risques résiduels suivants ne peuvent être évités. Ceci comprend :

- Les blessures dues au contact avec une pièce mobile/en rotation.
- Les blessures causées en changeant des pièces, lames ou accessoires.
- Les blessures dues à l'utilisation prolongée d'un outil. Une utilisation prolongée de l'outil nécessite des pauses régulières.
- Déficience auditive.
- Risques pour la santé causés par l'inhalation de poussières produites pendant l'utilisation de l'outil (exemple : travail avec du bois, surtout le chêne, le hêtre et les panneaux en MDF).

## Vibration

La valeur des émissions de vibration déclarée dans la section Déclaration/Données techniques de conformité a été mesurée selon une méthode d'essai standard fournie par la norme EN 60745 et peut être utilisée pour comparer un outil à un autre. Elle peut aussi être utilisée pour une évaluation préliminaire à l'exposition.

**Attention !** Selon la manière dont l'outil est utilisé, la valeur des émissions de vibration pendant l'utilisation de l'outil peut être différente de la valeur déclarée. Le niveau de vibration peut augmenter au-dessus du niveau établi.

Quand l'exposition aux vibrations est évaluée afin de déterminer les mesures de sécurité requises par la norme 2002/44/CE pour protéger les personnes utilisant régulièrement des outils électroportatifs, il

faut tenir compte d'une estimation de l'exposition aux vibrations, des conditions actuelles d'utilisation et de la manière dont l'outil est utilisé. Il faut aussi tenir compte de toutes les pièces du cycle de fonctionnement comme la durée pendant laquelle l'outil est arrêté et quand il fonctionne au ralenti, ainsi que la durée du déclenchement.

## Étiquettes de l'outil

Les pictogrammes ci-dessous se trouvent sur l'appareil :



**Attention !** Pour réduire le risque de blessures, l'utilisateur doit lire le manuel d'instructions.

## Sécurité électrique



Cet outil est doublement isolé. Par conséquent, aucun câble de mise à la terre n'est nécessaire. Vérifiez si l'alimentation mentionnée sur la plaque signalétique de l'outil correspond bien à la tension présente sur le lieu.

- Si le câble d'alimentation est endommagé, il doit être remplacé par le fabricant ou par un Centre de réparation agréé BLACK+DECKER pour éviter tout risque.

## Utilisation d'une rallonge

- La rallonge utilisée doit être conforme aux normes et doit s'adapter exactement à la prise de cette machine (voir les données techniques). Avant d'utiliser la rallonge, assurez-vous qu'elle est en bon état et récente. Remplacez la rallonge si elle est en mauvais état. Si vous utilisez un dévidoir, le câble doit être complètement déroulé. Le non-respect de toutes ces consignes, risque de provoquer un incendie et un choc électrique.

## Caractéristiques

Cet outil présente la totalité ou une partie des caractéristiques suivantes.


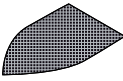
1. Interrupteur marche/arrêt
2. Collecteur de poussière

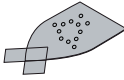
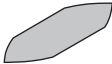
## 3. Plateau de ponçage

## 4. Accessoire de précision

**Accessoires**

Les accessoires fournis avec votre ponceuse varient selon le modèle acheté. Tous les accessoires listés ci-dessous sont disponibles dans notre gamme Piranha®. Si vous avez besoin d'un accessoire mentionné dans la liste ci-dessous qui n'est pas fourni avec votre ponceuse, visitez notre site Web à l'adresse [www.blackanddecker.eu](http://www.blackanddecker.eu). Les performances de votre outil dépendent de l'accessoire utilisé. Les accessoires BLACK+DECKER et Piranha correspondent aux normes de qualité supérieure et sont conçus pour donner le meilleur résultat possible. L'utilisation de ces accessoires vous permettra de tirer pleinement profit de votre outil.

Pièce	Description
	<p><b>Accessoire de précision.</b></p> <p>Pour les petites zones difficilement accessibles. Cet accessoire peut être utilisé pour poncer dans les coins et pour les ponçages légers.</p> <p><b>(Référence - X32214-XJ)</b></p>
	<p><b>Tamis de ponçage grain 240.</b></p> <p>Pour une finition délicate des zones de précision importantes.</p> <p><b>(Référence - X39132-XJ)</b></p> <p><b>Tamis de ponçage grain 120.</b></p> <p>Pour une finition moyenne des zones de précision importantes.</p> <p><b>(Référence - X39127-XJ)</b></p> <p><b>Tamis de ponçage grain 80.</b></p> <p>Pour une finition grossière des zones de précision importantes.</p> <p><b>(Référence - X39122-XJ)</b></p>

	<p><b>Feuille de ponçage, grain 240, avec deux languettes de remplacement - ponçage de précision sur zone importante.</b></p> <p>Pour une finition délicate des zones de précision importantes.</p> <p><b>(Référence - X31019-XJ)</b></p> <p><b>Feuille de ponçage, grain 120, avec deux languettes de remplacement - ponçage de précision sur zone importante.</b></p> <p>Pour une finition moyenne des zones de précision importantes.</p> <p><b>(Référence - X31009-XJ)</b></p> <p><b>Feuille de ponçage, grain 60, avec deux languettes de remplacement - ponçage de précision sur zone importante.</b></p> <p>Pour une finition grossière des zones de précision importantes.</p> <p><b>(Référence - X31039-XJ)</b></p>
	<p><b>Feuille de ponçage de précision, grain 120.</b></p> <p>Pour une finition moyenne de ponçage de précision.</p> <p><b>(Référence - X3277-XJ)</b></p>

**Assemblage**

**Attention !** Avant l'assemblage, assurez-vous que l'outil est hors tension et débranché.

**Mise en place du tamis de ponçage (fig. A)**

- Tenez l'outil en orientant le plateau de ponçage vers le haut.
- Placez le tamis de ponçage (5) sur le plateau de ponçage, en vous assurant que les trous de la feuille sont alignés sur ceux du plateau.

**Mise en place des feuilles de ponçage (fig. B - Accessoire en option)**

- Retirez les deux languettes supplémentaires en forme de losange (7) de la feuille de ponçage (6).

Vous pouvez retourner la languette en forme de losange (7) et la remplacer lorsqu'elle est usée.

- Lorsque l'avant de la languette est usé, retirez la languette de la feuille, retournez-la et repositionnez-la sur le plateau de ponçage.
- Lorsqu'une languette est complètement usée, retirez-la du plateau de ponçage et installez-en une nouvelle.

Pour optimiser la collecte des poussières, veillez à utiliser le type correct de papier à poncer.

### Accessoire de précision (figure C)

Grâce à l'accessoire de précision, vous pouvez effectuer un ponçage de finition soigné.

- Retirez la vis (9).
- Retirez la languette en forme de losange (8) du plateau de ponçage.
- Installez l'accessoire de précision (4) sur le plateau de ponçage.
- Installez et serrez la vis.
- Installez la feuille de ponçage appropriée sur l'accessoire de précision.

### Mise en place et retrait du collecteur de poussière (figure D)

- Glissez le collecteur de poussière (2) sur l'outil et fixez-le correctement.
- Pour retirer le collecteur de poussière, tirez-le vers l'arrière et détachez-le de l'outil.

### Utilisation

**Attention !** Laissez l'outil fonctionner à sa propre vitesse. Ne le poussez pas au-delà de sa limite.

#### Mise en marche et arrêt

- Pour mettre l'outil en marche, glissez l'interrupteur marche/arrêt (1) vers l'avant sur la position I.
- Pour éteindre l'outil, glissez l'interrupteur

marche/arrêt (1) vers l'arrière sur la position O.

### Vidage du collecteur de poussière (figures D, E et F)

Vous devez vider le collecteur de poussière toutes les 10 minutes d'utilisation.

- Pendant que vous tenez l'outil, extrayez le collecteur de poussière (2) hors de l'outil.
- Enlevez le couvercle du collecteur (10).
- Secouez le couvercle (10) et le collecteur de poussière (2) pour les vider de leur contenu ; le filtre (11) situé à l'intérieur du couvercle (10) peut être nettoyé à l'aide d'une brosse douce et sèche.
- Réinstallez le couvercle (10) sur le collecteur de poussière (2).
- Réinstallez le collecteur de poussière (2).

### Entretien

Votre outil a été conçu pour fonctionner pendant longtemps avec un minimum d'entretien. Un fonctionnement continu satisfaisant dépend d'un nettoyage régulier et d'un entretien approprié de l'outil.

**Attention !** Préalablement à toute opération d'entretien, éteignez et débranchez l'outil.

- Nettoyez régulièrement les orifices de ventilation de votre outil à l'aide d'une brosse souple ou d'un chiffon sec.
- Nettoyez régulièrement le compartiment du moteur à l'aide d'un chiffon humide. N'utilisez pas de produit abrasif ou à base de solvant.



**Données techniques**

		<b>KA2000 (Type 1)</b>	<b>KA2500 (Type 1)</b>
Tension d'entrée	$V_{ac}$	220-240	220-240
Puissance	W	120	120
Oscillations (sans charge)	$min^{-1}$	28,000	28,000
Orbites (sans charge)	$min^{-1}$	14,000	14,000
Surface de base de ponçage	$mm^2$	8161	8161
Poids	kg	1	1

$L_{pA}$  (pression sonore) 73 dB(A), incertitude (K) 3 dB(A)

$L_{WA}$  (pression sonore) 84 dB(A), incertitude (K) 3 dB(A)

Valeurs totales des vibrations (somme vectorielle triaxiale) selon la norme EN 60745 :

Valeur d'émission de vibration ( $a_{h1}$ ) 7.0  $m/s^2$ ,  
incertitude (K) 1.5  $m/s^2$

**Déclaration de conformité CE**

CONSIGNES DE MACHINERIE

**KA2000 / KA2500**

BLACK+DECKER confirme que les produits décrits dans les « Données techniques » sont conformes aux normes : 2006/42/CE, EN 60745-1, EN 60745-2-4

Ces produits sont conformes aux Directives 2014/30/UE et 2011/65/UE. Pour plus de détails, veuillez contacter BLACK+DECKER à l'adresse suivante ou reportez-vous au dos du manuel.

Le soussigné est responsable des données de la fiche technique et fait cette déclaration au nom de BLACK+DECKER.

**R. Laverick**

Engineering Manager  
BLACK+DECKER Europe, 210 Bath Road,  
Slough,

Berkshire, SL1 3YD

Royaume-Uni

10.2015

## Protection de l'environnement



Collecte séparée. Ce produit ne doit pas être jeté avec les déchets domestiques normaux.

Si vous décidez de remplacer ce produit BLACK+DECKER, ou si vous n'en avez plus l'utilité, ne le jetez pas avec vos déchets domestiques. Rendez-le disponible pour une collecte séparée.



La collecte séparée des produits et emballages usés permet le recyclage des articles afin de les utiliser à

nouveau. Le fait d'utiliser à nouveau des produits recyclés permet d'éviter la pollution environnementale et de réduire la demande de matières premières.

Les réglementations locales peuvent permettre la collecte séparée des produits électriques du foyer, dans des déchetteries municipales ou auprès du revendeur vous ayant vendu votre nouveau produit.

BLACK+DECKER fournit un dispositif permettant de collecter et de recycler les produits BLACK+DECKER lorsqu'ils ont atteint la fin de leur cycle de vie. Pour pouvoir profiter de ce service, veuillez retourner votre produit à un réparateur agréé qui se chargera de le collecter pour nous.

Pour connaître l'adresse du réparateur agréé le plus proche de chez vous, contactez le bureau BLACK+DECKER à l'adresse indiquée dans ce manuel. Vous pourrez aussi trouver une liste des réparateurs agréés de BLACK+DECKER et de plus amples détails sur notre service après-vente sur le site Internet à l'adresse suivante : [www.2helpU.com](http://www.2helpU.com)

## Garantie

BLACK+DECKER vous assure la qualité de ses produits et vous offre une garantie très étendue. Ce certificat de garantie est un document supplémentaire et ne peut en aucun cas se substituer à vos droits légaux.

Si un produit BLACK+DECKER s'avère défectueux en raison de matériaux en mauvais état, d'une erreur humaine, ou d'un manque de conformité dans les 24 mois suivant la date d'achat, BLACK+DECKER garantit le remplacement des pièces défectueuses, la réparation des produits usés ou cassés ou remplace ces produits à la convenance du client, sauf dans les circonstances suivantes :

- Le produit a été utilisé dans un but commercial, professionnel, ou a été loué.
- Le produit a été mal utilisé ou avec négligence.
- Le produit a subi des dommages à cause de corps étrangers, de substances ou d'accidents.
- Des réparations ont été tentées par des techniciens ne faisant pas partie du service technique de BLACK+DECKER.

Pour avoir recours à la garantie, il est nécessaire de fournir une preuve d'achat au vendeur ou à un réparateur agréé. Pour connaître l'adresse du réparateur agréé le plus proche de chez vous, contactez le bureau BLACK+DECKER à l'adresse indiquée dans ce manuel. Vous pourrez aussi trouver une liste de réparateurs agréés de BLACK+DECKER et de plus amples détails sur notre service après-vente sur le site Internet à l'adresse suivante : [www.2helpU.com](http://www.2helpU.com)

## Utilização prevista

A sua lixadora BLACK+DECKER foi concebida para lixar madeira, metal, plástico e superfícies pintadas. Esta ferramenta destina-se apenas a utilização doméstica.

## Instruções de segurança

### Avisos de segurança gerais para ferramentas eléctricas



**Atenção! Leia com atenção todos os avisos de segurança e instruções.**

O não cumprimento dos seguintes avisos e instruções pode resultar em choque eléctrico, incêndio e/ou graves lesões.

**Guarde todos os avisos e instruções para futura referência.** A expressão "ferramenta eléctrica" utilizada a seguir refere-se a ferramentas eléctricas com ligação à corrente eléctrica (com cabo) ou com bateria (sem fios).

### 1. Segurança na área de trabalho

- Mantenha a área de trabalho limpa e bem iluminada.** Áreas desarrumadas ou mal iluminadas são propícias a acidentes.
- Não trabalhe com ferramentas eléctricas em áreas com risco de explosão, nas quais se encontrem líquidos, gases ou poeiras inflamáveis.** As ferramentas eléctricas produzem faíscas que podem provocar a ignição de poeiras ou vapores.
- Mantenha crianças e outras pessoas afastadas durante a utilização da ferramenta eléctrica.** Distacções podem provocar perda de controlo do aparelho.

### 2. Segurança eléctrica

- A ficha da ferramenta eléctrica deve caber na tomada. A ficha não deve ser modificada de modo algum. Não utilize quaisquer fichas adaptadoras em ferramentas eléctricas com ligação à terra.** Fichas sem modificações e tomadas adequadas reduzem o risco de choques eléctricos.

- Evite que o corpo entre em contacto**

**com superfícies ligadas à terra, como tubos, radiadores, fogões e frigoríficos.** Existe um risco elevado de choques eléctricos se o corpo estiver ligado à terra.

- As ferramentas eléctricas não podem ser expostas a chuva nem humidade.** A penetração de água na ferramenta eléctrica aumenta o risco de choques eléctricos.
  - Manuseie o cabo com cuidado. O cabo não deve ser utilizado para transportar ou pendurar a ferramenta, nem para puxar a ficha da tomada. Mantenha o cabo afastado de calor, óleo, pontas afiadas ou partes móveis.** Cabos danificados ou torcidos aumentam o risco de choques eléctricos.
  - Quando trabalhar com uma ferramenta eléctrica ao ar livre, utilize um cabo de extensão apropriado para esse fim.** A utilização de um cabo apropriado para áreas ao ar livre reduz o risco de choques eléctricos.
  - Se for inevitável trabalhar com uma ferramenta eléctrica num local húmido, utilize um Dispositivo de Corrente Residual (RCD).** A utilização de um RCD reduz o risco de choque eléctrico.
- ### 3. Segurança pessoal
- Mantenha-se atento, observe o que está a fazer e seja prudente ao trabalhar com uma ferramenta eléctrica. Não utilize uma ferramenta eléctrica se estiver cansado ou sob a influência de drogas, álcool ou medicamentos.** Um momento de falta de atenção enquanto trabalha com ferramentas eléctricas poderá resultar em lesões graves.
  - Utilize equipamento de protecção pessoal. Utilize sempre óculos de protecção.** Equipamento de protecção como, por exemplo, máscara anti-poeiras, sapatos de segurança anti-derrapantes, capacete de segurança ou protecção auricular, de acordo com o tipo e a aplicação de ferramenta eléctrica, reduz o risco de lesões.

**c. Evite arranques involuntários. Certifique-se de que o botão está desligado antes de ligar a ferramenta à corrente eléctrica e/ou a bateria, pegando ou transportando a ferramenta.** Transportar ferramentas eléctricas com o dedo no botão ou ligar ferramentas eléctricas à tomada com o interruptor na posição de ligado pode dar origem a acidentes.

**d. Retire eventuais chaves de ajuste ou chaves inglesas antes de ligar a ferramenta eléctrica.** Uma chave fixa ou qualquer outra chave ligada a uma peça rotativa da ferramenta eléctrica pode provocar lesões.

**e. Não se incline. Mantenha-se sempre bem posicionado e em equilíbrio.** Assim, controlar a melhor a ferramenta eléctrica em situações imprevistas.

**f. Utilize vestuário adequado. Não utilize roupas largas nem jóias. Mantenha o cabelo, roupa e luvas afastados de peças em movimento.** Roupas largas, jóias ou cabelo comprido podem ser apanhados por partes móveis.

**g. Se for prevista a montagem de dispositivos de extracção e recolha de pó, assegure-se de que estão ligados e que são utilizados de forma correcta.** A recolha das poeiras pode reduzir os riscos provocados por poeiras.

#### **4. Utilização e manutenção da ferramenta eléctrica**

**a. Não sobrecarregue a ferramenta eléctrica. Utilize a ferramenta eléctrica adequada para o trabalho pretendido.** A ferramenta eléctrica correcta realizará o trabalho de forma melhor e mais segura, com a potência com que foi concebida.

**b. Não utilize a ferramenta eléctrica se o interruptor não puder ser ligado nem desligado.** Qualquer ferramenta eléctrica que não possa ser controlada com o interruptor é perigosa e terá de ser reparada.

**c. Desligue a ficha da tomada e/ou a bateria da tomada antes de proceder a ajustes, trocar acessórios ou guardar**

**ferramentas eléctricas.** Estas medidas de prevenção de segurança reduzem o risco de ligação inadvertida da ferramenta eléctrica.

**d. Mantenha as ferramentas eléctricas que não estiverem a ser utilizadas fora do alcance de crianças. Não permita que a ferramenta eléctrica seja utilizada por pessoas não familiarizadas com a mesma ou que não tenham lido estas instruções.**

As ferramentas eléctricas são perigosas quando utilizadas por pessoas não qualificadas.

**e. Efectue a manutenção das ferramentas eléctricas. Verifique se as partes móveis estão desalinhasadas ou bloqueadas, se existem peças partidas ou qualquer outra situação que possa afectar o funcionamento das ferramentas eléctricas. As peças danificadas devem ser reparadas antes da utilização da ferramenta eléctrica.** Muitos acidentes são provocados por falta de manutenção das ferramentas eléctricas.

**f. Mantenha as ferramentas de corte sempre afiadas e limpas.** Ferramentas de corte com a manutenção adequada e extremidades afiadas bloqueiam com menos frequência e são mais fáceis de controlar.

**g. Utilize a ferramenta eléctrica, acessórios e peças de ferramenta de acordo com estas instruções, considerando as condições de trabalho e a tarefa a ser executada.** A utilização da ferramenta eléctrica para fins diferentes dos previstos pode resultar em situações perigosas.

#### **5. Reparação**

**a. A sua ferramenta eléctrica só deve ser reparada por pessoal qualificado e só devem ser colocadas peças sobressalentes originais.** Isso garante a manutenção da segurança da ferramenta eléctrica.

#### **Avisos de segurança adicionais para ferramentas eléctricas**



**Aviso!** Avisos de segurança adicionais para lixadoras



**Aviso!** O contacto ou a inalação de poeiras originadas pelas aplicações da lixadora poderá colocar em

perigo a saúde do operador ou das pessoas presentes. Utilize uma máscara especificamente concebida para protecção contra poeiras e vapores e certifique-se de que as pessoas perto da área de trabalho também estão protegidas.

- **Segure a ferramenta eléctrica pelas áreas isoladas quando executar uma operação em que o acessório de corte possa entrar em contacto com a cablagem oculta.** Os acessórios em contacto com um cabo "electrificado" poderão expor peças metálicas do sistema eléctrico da ferramenta e provocar um choque eléctrico ao operador
- **Utilize grampos ou outro meio para fixar e apoiar a peça numa plataforma estável.** Se fixar a peça com a mão ou contra o seu corpo, a peça ficará instável e poderá originar a perda de controlo.



**Aviso!** Tenha cuidados especiais quando lixar madeiras (como faia ou carvalho) e metais passíveis de produzir poeiras tóxicas. Utilize uma máscara especificamente concebida para protecção contra poeiras e vapores tóxicos e certifique-se de que as pessoas perto da área de trabalho também estão protegidas.



**Aviso!** Ao lixar metais ferrosos, utilize esta ferramenta numa área com boa ventilação. Não utilize a ferramenta perto de líquidos, gases ou poeiras inflamáveis. As faíscas ou partículas quentes das escovas dos motores de lixar ou de escorvamento poderão inflamar os materiais combustíveis.



**Atenção! Não lixe magnésio!** Existe risco de incêndio ou explosão.

- Remova completamente toda a poeira depois de terminar.
- A utilização prevista para este aparelho está descrita neste manual de instruções. A utilização de qualquer acessório ou a realização de qualquer operação com este aparelho que não se inclua no presente manual de instruções poderá representar um risco de ferimentos

personais e/ou danos materiais.

## Segurança ao lixar pinturas



**Aviso!** Verifique as normas aplicáveis para lixar pinturas. Tenha atenção especial ao seguinte:

- Sempre que possível, utilize um extractor para recolha de poeiras.
- Tenha cuidados especiais quando lixar pinturas que possam conter chumbo e produzir poeiras tóxicas:
- Não permita que crianças ou mulheres grávidas entrem na área de trabalho.
- Todas as pessoas na área de trabalho devem utilizar uma máscara de protecção especificamente concebida contra poeiras e vapores de pinturas com chumbo.
- Não coma, beba ou fume na área de trabalho.
- Elimine de forma segura as partículas de poeira e outros detritos originados pela remoção.

## Segurança de terceiros

- Este aparelho não deve ser utilizado por pessoas (incluindo crianças) que apresentem capacidades físicas, sensoriais ou mentais reduzidas ou que não possuam os conhecimentos e a experiência necessários, excepto se forem vigiadas e instruídas acerca da utilização do aparelho por uma pessoa responsável pela sua segurança.
- As crianças deverão ser vigiadas para que não mexam no aparelho.

## Riscos residuais

Podem surgir riscos residuais adicionais durante a utilização da ferramenta que poderão não constar nos avisos de segurança incluídos. Estes riscos podem resultar de má utilização, uso prolongado, etc.

Mesmo com a aplicação dos regulamentos de segurança relevantes e com a implementação de dispositivos de segurança, alguns riscos residuais não podem ser evitados. Incluem:

- ferimentos causados pelo contacto com peças em rotação/movimento.
- ferimentos causados durante a troca de peças, lâminas ou acessórios.
- ferimentos causados pela utilização prolongada de uma ferramenta. Quando utilizar uma ferramenta por períodos prolongados, faça intervalos regulares.
- Diminuição da audição.
- Os problemas de saúde causados pela inalação de poeiras resultantes da utilização da ferramenta (exemplo: trabalhos em madeira, especialmente carvalho, faia e MDF).

### Vibração

Os valores de emissão de vibração declarados na secção de dados técnicos e na declaração de conformidade foram medidos de acordo com o método de teste padrão fornecido pela norma EN 60745 e podem ser utilizados para comparar ferramentas. O valor de emissão de vibração declarado pode ainda ser utilizado numa avaliação preliminar de exposição.

**Atenção!** O valor de emissão de vibração durante a utilização real da ferramenta eléctrica pode ser diferente do valor declarado, dependendo da forma como a ferramenta é utilizada. O nível de vibração pode aumentar acima do nível indicado.

Quando avaliar a exposição da vibração para determinar as medidas de segurança exigidas pela norma 2002/44/CE para proteger pessoas que utilizem regularmente ferramentas eléctricas na sua actividade profissional, deve ser considerada uma estimativa de exposição de vibração, as actuais condições de utilização e o modo de utilização da ferramenta, incluindo ainda todas as partes do ciclo de funcionamento, como os períodos de inactividade e espera da ferramenta, para além do tempo de funcionamento.

### Rótulos na ferramenta

A ferramenta apresenta os seguintes pictogramas:



**Atenção!** Para reduzir o risco de ferimentos, o utilizador deve ler o manual de instruções.

### Segurança eléctrica



Esta ferramenta tem um isolamento duplo e, por isso, não é necessário um fio de terra. Verifique sempre se a fonte de alimentação corresponde à tensão indicada na placa de especificações.

- Se o cabo de alimentação estiver danificado, terá de ser substituído pelo fabricante ou por um centro de assistência autorizado BLACK+DECKER para evitar acidentes.

### Utilizar um cabo de extensão

- Utilize sempre um cabo de extensão aprovado e adequado para a potência desta ferramenta (ver dados técnicos). Antes de utilizar, verifique se o cabo de extensão apresenta sinais de envelhecimento, danos ou desgaste. Substitua o cabo de extensão se este se encontrar danificado ou avariado. Quando utilizar um enrolador de cabo, desenrole sempre o cabo totalmente. A utilização de um cabo de extensão não adequado à potência da ferramenta ou que esteja danificado ou avariado pode causar incêndios ou choques eléctricos.

### Características


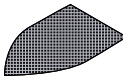
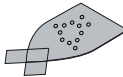
Esta ferramenta inclui alguns ou todos os seguintes componentes.

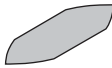
1. Interruptor para Ligar/Desligar
2. Caixa para recolha de poeiras
3. Base para lixadora
4. Ponta de longo alcance

### Acessórios

Os acessórios fornecidos com a sua lixadora dependem do modelo adquirido. Todos os acessórios listados abaixo estão disponíveis na nossa gama de produtos Piranha®. Se necessitar de um dos acessórios listados abaixo mas este não for fornecido com a sua lixadora, visite o nosso Web site em [www.blackanddecker.eu](http://www.blackanddecker.eu).

O desempenho da ferramenta depende dos acessórios utilizados. Os acessórios BLACK+DECKER e Piranha são concebidos segundo normas de elevada qualidade e desenvolvidos de modo a melhorar o desempenho da sua ferramenta. Ao utilizar estes acessórios, obterá o melhor desempenho da sua ferramenta.

Item	Descrição
	<p><b>Ponta de longo alcance.</b></p> <p>Para pequenas áreas de difícil acesso. A ponta de longo alcance pode ser utilizada para lixar superfícies suavemente e para lixar cantos.</p> <p><b>(Número de Peça - X32214-XJ)</b></p>
	<p><b>Malha de lixa de granulação 240.</b></p> <p>Para um acabamento polido para lixamento de amplo detalhe.</p> <p><b>(Número de Peça - X39132-XJ)</b></p> <p><b>Malha de lixa de granulação 120.</b></p> <p>Para um acabamento médio para lixamento de amplo detalhe.</p> <p><b>(Número de Peça - X39127-XJ)</b></p> <p><b>Malha de lixa de granulação 80.</b></p> <p>Para um acabamento irregular para lixamento de amplo detalhe.</p> <p><b>(Número de Peça - X39122-XJ)</b></p>
	<p><b>Folha de lixa de amplo detalhe com granulação 240 e duas pontas de substituição.</b></p> <p>Para um acabamento polido para lixamento de amplo detalhe.</p> <p><b>(Número de Peça - X31019-XJ)</b></p> <p><b>Folha de lixa de amplo detalhe com granulação 120 e duas pontas de substituição.</b></p>

	<p>Para um acabamento médio para lixamento de amplo detalhe.</p> <p><b>(Número de Peça - X31009-XJ)</b></p> <p><b>Folha de lixa de amplo detalhe com granulação 60 e duas pontas de substituição.</b></p> <p>Para um acabamento irregular para lixamento de amplo detalhe.</p> <p><b>(Número de Peça - X31039-XJ)</b></p>
	<p><b>Folha de lixa para ponta de longo alcance com granulação 120.</b></p> <p>Folha de lixa para ponta de longo alcance com granulação 120.</p> <p><b>(Número de Peça - X3277-XJ)</b></p>

## Montagem

**Aviso!** Antes da montagem, certifique-se de que a ferramenta está desligada e que não está ligada à corrente eléctrica.

### Colocar a malha de lixa (fig. A)

- Segure a ferramenta com a base voltada para a lixadora e virada para cima.
- Coloque a malha de lixa (5) na base para lixadora, certificando-se de que os orifícios da folha ficam alinhados com os orifícios da base.

### Colocar folhas de lixa (fig. B - acessório opcional)

- Destaque as duas pontas adicionais em forma de diamante (7) da folha de lixa (6).

A ponta em forma de diamante (7) pode ser invertida e substituída quando estiver gasta.

- Quando a parte da frente da ponta está gasta, solte-a da folha, inverta-a e pressione-a de novo contra a base para lixadora.
- Quando toda a ponta estiver gasta, retire-a da base para lixadora e coloque uma nova.

Para uma recolha ideal de poeiras, certifique-se de que utiliza o papel de lixa correcto.

### Ponta de longo alcance (fig. C)

A ponta de longo alcance é utilizado para lixar com detalhe polido.

- Retire o parafuso (9).
- Retire a ponta em forma de diamante (8) da base para lixadora.
- Coloque a ponta de longo alcance (4) na base para lixadora.
- Fixe e aperte o parafuso.
- Coloque a folha de lixa adequada na ponta de longo alcance.

### Colocar e remover o extractor de poeiras (fig. D)

- Faça deslizar o extractor de poeiras (2) na direcção da ferramenta e certifique-se de que está colocado firmemente.
- Para remover o extractor de poeiras, puxe-o para a parte de trás e para fora da ferramenta.

### Utilização

**Aviso!** Deixe a ferramenta funcionar ao seu próprio ritmo. Não sobrecarregue.

### Ligar e desligar

- Para ligar a ferramenta, faça deslizar o interruptor ligar/desligar (1) para a posição I (frente).
- Para desligar a ferramenta, faça desligar o interruptor ligar/desligar (1) para a posição O (trás).

### Esvaziar o extractor de poeiras (fig. D, E e F)

O extractor de poeiras deve ser esvaziado após cada 10 minutos de utilização.

- Enquanto segura a ferramenta, retire o extractor de poeiras (2) da ferramenta.
- Retire a tampa do extractor (10).
- Sacuda a tampa (10) e o extractor de

poeiras (2) para esvaziar o respectivo conteúdo. O filtro (11) no interior da tampa (10) pode ser limpo com uma escova suave e seca.

- Volte a colocar a tampa (10) no extractor de poeiras (2).
- Volte a encaixar o extractor de poeiras (2).

### Manutenção

A sua ferramenta foi concebida para funcionar por um longo período de tempo com uma manutenção mínima. Um funcionamento contínuo e satisfatório depende de uma manutenção adequada e da limpeza regular da ferramenta.

**Atenção!** Antes de proceder a qualquer acção de manutenção, desligue a ferramenta e retire a ficha da tomada.

- Limpe regularmente as aberturas de ventilação da ferramenta com uma escova suave ou um pano seco.
- Limpe regularmente o compartimento do motor com um pano húmido. Não utilize produtos de limpeza abrasivos ou à base de solventes.



**Dados técnicos**

		<b>KA2000 (Tipo 1)</b>	<b>KA2500 (Tipo 1)</b>
Tensão de entrada $V_{ac}$		220-240	220-240
Potência utilizada $W$		120	120
Oscilações (sem carga)	$min^{-1}$	28,000	28,000
Órbitas (sem carga)	$min^{-1}$	14,000	14,000
Superfície de base para lixadora	$mm^2$	8161	8161
Peso	$kg$	1	1

$L_{pA}$  (pressão acústica) 73 dB(A), Imprecisão (K) 3 dB(A)

$L_{WA}$  (potência acústica) 84 dB(A), Imprecisão (K) 3 dB(A)

Valores totais de vibração (soma de vectores triax) de acordo com EN 60745:

Valor de emissão de vibrações ( $a_{h1}$ ) 7.0  $m/s^2$ ,  
imprecisão (K) 1.5  $m/s^2$

**Declaração de conformidade CE**  
DIRECTIVA PARA MÁQUINAS**KA2000 / KA2500**

A BLACK+DECKER declara que os produtos descritos em "dados técnicos" estão em conformidade com as seguintes normas: 2006/42/CE, EN 60745-1, EN 60745-2-4

Estes produtos estão também em conformidade com a Directiva 2014/30/UE e 2011/65/UE. Para obter mais informações, contacte a BLACK+DECKER no endereço indicado em seguida ou consulte a parte posterior do manual.

O signatário é responsável pela compilação do ficheiro técnico e efectua esta declaração em nome da BLACK+DECKER.

**R. Laverick**

Director de Engenharia  
BLACK+DECKER Europe, 210 Bath Road,  
Slough,  
Berkshire, SL1 3YD  
Reino Unido  
10.2015

## Proteger o ambiente



Recolha separada. Este produto não deve ser eliminado juntamente com os resíduos domésticos normais.

Se algum dia necessitar de substituir o seu produto BLACK+DECKER ou se já não o voltar a utilizar, não o elimine juntamente com os outros resíduos domésticos. Disponibilize este produto para recolha separada.



A recolha separada de produtos usados e embalagens permite que os materiais sejam reciclados e utilizados novamente. A reutilização de materiais reciclados ajuda a prevenir a poluição ambiental e reduz a procura de matérias-primas.

As normas locais podem fornecer a recolha separada de produtos elétricos a nível doméstico, locais de resíduos urbanos ou pelo revendedor onde adquiriu um produto novo.

A BLACK+DECKER providencia uma unidade para a recolha e reciclagem de produtos BLACK+DECKER uma vez que tenham alcançado o fim da sua vida útil. Para beneficiar deste serviço, devolva o seu produto a qualquer agente reparador autorizado, que fará a recolha em nosso favor.

Pode verificar a localização do seu agente reparador mais próximo, contactando o seu escritório local BLACK+DECKER através do endereço indicado neste manual. Como alternativa, está disponível na Internet uma lista de agentes reparadores autorizados da BLACK+DECKER e dados completos do serviço de pós-venda e contactos em: [www.2helpU.com](http://www.2helpU.com).

## Garantia

A Black + Decker está confiante da qualidade de seus produtos e oferece uma garantia excelente. Esta declaração de garantia está em adição e em nada prejudica os seus direitos estatutários. A garantia é válida nos territórios dos Estados-Membros da União Europeia e da Zona Europeia de Comércio Livre.

Se um produto Black + Decker apresenta algum defeito devido a falhas de material, mão de obra ou falta de conformidade, no prazo de 24 meses a partir da data da compra, a BLACK+DECKER garante a substituição das peças defeituosas, produtos de reparação sujeitos a uso e desgaste regular ou substituição de tais produtos para se certificar do mínimo de inconveniência ao cliente a menos que:

- O produto tenha sido utilizado para fins comerciais, profissionais ou contratação.
- O produto tenha sido submetido a utilização inadequada ou negligência.
- O produto tenha sofrido danos causados por objetos estranhos, substâncias ou acidentes.
- As reparações foram efetuadas por terceiros e não por agentes autorizados ou pelo pessoal de serviço Black + Decker.

Para ativar a garantia, terá que apresentar o comprovativo de compra ao vendedor ou a um agente técnico autorizado. Pode verificar a localização do seu agente reparador autorizado mais próximo, contactando o seu escritório local BLACK+DECKER através do endereço indicado neste manual. Como alternativa, está disponível na Internet uma lista de agentes reparadores autorizados BLACK+DECKER, dados completos do serviço de pós-venda e contactos em: [www.2helpU.com](http://www.2helpU.com)

## Назначение

Шлифовальный инструмент производства BLACK+DECKER предназначен для шлифования деревянных, металлических, пластмассовых и окрашенных поверхностей. Этот инструмент предназначен только для использования потребителем.

## Указания по технике безопасности

Общие указания по безопасной работе с электрическим инструментом



**Внимание! Внимательно прочитайте все предупреждающие надписи и указания по безопасной работе.** Несоблюдение указаний

по безопасной работе может привести к поражению электрическим током, пожару и/или серьезным травмам персонала.

**Храните все предупреждающие надписи и указания по безопасной работе для использования в будущем.**

Термин «электрический инструмент», используемый во всех предупреждающих надписях и указаниях по технике безопасности, представленных ниже, относится к электрическому инструменту, работающему от сети (со шнуром электропитания) или от аккумуляторной батареи (без шнура питания).

### 1. Указания по безопасности на рабочем месте

- a. Рабочее место должно содержаться в чистоте и должно быть оборудовано надлежащим освещением. Беспорядок или плохое освещение на рабочем месте может привести к несчастному случаю.
- b. Запрещается использование электрического инструмента во взрывоопасной среде, например, в условиях наличия легковоспламеняющихся жидкостей, газов или пыли. Искры, возникающие при работе электрического инструмента, могут воспламенить пыль, пары и газы.
- c. Запрещается нахождение детей и посторонних лиц вблизи работающего электрического инструмента. Отвлекающие факторы могут привести к потере контроля за работой инструмента.

### 2. Электрическая безопасность

- a. Вилка шнура электрического инструмента должна соответствовать сетевой розетке. Запрещается вносить какие-либо изменения в вилку электрического шнура. Запрещается использование каких-либо штепсельных переходников при работе заземленного электрического инструмента. Отсутствие

изменений в вилках электрических шнуров и соответствие электрических вилок и розеток снижает риск поражения электрическим током.

- b. **Не допускайте контакта тела с заземленными поверхностями таких объектов, как трубы, радиаторы, электроплиты и холодильники.** Если ваше тело заземлено, риск его поражения электрическим током повышается.
  - c. **Электрические инструменты не должны подвергаться воздействию дождя и находится в условиях повышенной влажности.** При попадании влаги внутрь электрического инструмента повышается риск поражения электрическим током.
  - d. **Запрещается использовать электрический шнур не по назначению. Никогда не берите, не тяните и не вынимайте электрический инструмент за шнур. Электрический шнур не должен находиться вблизи источников тепла, масла, острых краев и движущихся деталей.** Поврежденные и закрученные электрические шнуры повышают риск поражения электрическим током.
  - e. **При работе электрического инструмента на открытом воздухе используйте соответствующий удлинитель.** Использование удлинителя, предназначенного для работы на открытом воздухе, снижает риск поражения электрическим током.
  - f. **Если работы с помощью электрического инструмента внутри влажного помещения должны быть выполнены обязательно, в таком случае необходимо использовать устройство защитного отключения (УЗО) электрической сети.** Использование УЗО снижает риск поражения электрическим током.
- ### 3. Безопасность персонала
- a. При работе с электрическим инструментом необходимо быть осматрительным, видеть выполняемую работу и руководствоваться здравым смыслом. Запрещается работать с электрическим инструментом в состоянии усталости и под воздействием наркотиков, алкоголя и лекарственных препаратов. Ослабление внимания даже на мгновение может привести к серьезной травме.
  - b. **Используйте средства индивидуальной защиты. Всегда надевайте средства защиты глаз.** Используемые в соответствующих условиях средства индивидуальной защиты, такие как пылезащитная маска, нескользящая защитная обувь, защитная каска или средства защиты органов слуха, всегда снижают риск травмирования.

- c. Не допускайте непреднамеренного включения инструмента. Перед тем, так подключить источник питания или аккумулятор, поднимая или неся инструмент, проверьте, чтобы его выключатель находился в выключенном положении. Переноска инструмента пальцем, расположенном на его выключателе, или включенного инструмента повышает риск несчастного случая.
  - d. Перед включением инструмента всегда снимайте с него регулировочный и гаечный ключ. Оставленный на вращающейся детали инструмента ключ может привести к травмированию.
  - e. Не прикладывайте к инструменту чрезмерное усилие во время работы. Всегда прочно держитесь на ногах и сохраняйте равновесие во время работы. Это позволяет лучше контролировать электрический инструмент в непредвиденных ситуациях.
  - f. Надевайте соответствующую одежду. Запрещается надевать свободную одежду и украшения. Волосы, одежда и перчатки должны находиться на расстоянии от движущихся деталей инструмента. Свободная одежда, украшения или длинные волосы могут быть захвачены движущимися деталями.
  - g. Если установлены устройства подключения средств пылеулавливания и пылесборников, необходимо проверять, чтобы они были подключены и использовались надлежащим образом. Использование средств пылеулавливания снижает уровень риска, связанного с наличием пыли в воздухе.
- 4. Использование и уход за электрическим инструментом**
- a. Не прикладывайте чрезмерное усилие к электрическому инструменту. Используйте электрический инструмент, соответствующий выполняемой задаче. При использовании надлежащего инструмента вы выполните работу лучше, с меньшим риском и со скоростью, на которую рассчитан ваш инструмент.
  - b. Запрещается использовать инструмент, если его выключатель не включается и не выключается. Любой электрический инструмент, работой которого нельзя управлять с помощью его выключателя, представляет собой опасность и подлежит обязательному ремонту.
  - c. Перед выполнением регулировки электрического инструмента, заменой его принадлежностей и постановкой на хранение необходимо вынуть вилку его электрического шнура из розетки и/или достать из него аккумулятор. Такая превентивная мера безопасности снижает риск случайного включения инструмента.
  - d. Храните электрический инструмент, который в данный момент не используется, в недоступном для детей месте и разрешайте работать с инструментом лицам, которые не знакомы с ним или с этими указаниями. Электрический инструмент является опасным в руках необученного человека.
  - e. Поддерживайте инструмент в рабочем состоянии. Проверяйте центровку и соединение движущихся деталей, наличие поврежденных деталей и любые факторы, которые могут отрицательно сказаться на работе электрического инструмента. В случае обнаружения повреждения электрический инструмент необходимо отремонтировать. Много несчастных случаев происходит вследствие того, что инструмент находится в ненадлежащем состоянии.
  - f. Режущие инструменты должны быть остро заточенными и чистыми. Поддерживаемый в надлежащем рабочем состоянии режущий инструмент с острыми режущими кромками меньше застревает и легче управляется.
  - g. Используйте электрический инструмент, принадлежности, вставные резы и т.д. в соответствии с данными указаниями, учитывая условия эксплуатации и работу, которая должна быть выполнена. Использование электрического инструмента с целью, отличной от предусмотренного назначения, может привести к опасной ситуации.
- 5. Обслуживание**
- a. Обслуживать электрический инструмент должен только квалифицированный ремонтный персонал, при этом должны использоваться только оригинальные запасные детали. Благодаря этому будет поддерживаться безопасное рабочее состояние электрического инструмента.
- Дополнительные указания по безопасной работе с электрическим инструментом**



**Внимание!** Дополнительные указания по безопасной работе с шлифовальным инструментом



**Внимание!** Контакт с пылью или вдыхание пыли, возникающей вследствие шлифовальной обработки, может представлять опасность для здоровья шлифовальщика и находящихся рядом лиц. Надевайте пылезащитную маску, которая специально разработана для защиты от пыли и ядовитых газов и гарантирует защиту всех лиц, которые находятся или заходят на рабочий участок.

- **Во время выполнения работ, когда режущая деталь электрического инструмента может соприкоснуться со скрытой электропроводкой, инструмент необходимо держать за диэлектрическую поверхность.** При контакте крепежной детали с проводом, находящимся под напряжением, под напряжение могут попасть металлические детали электрического инструмента, вследствие чего возникает опасность поражения оператора электрическим током.
- **Для фиксации положения обрабатываемой детали на устойчивом основании используйте зажимы или другой удобный и практический способ.** Если держать деталь руками или прижимать ее к телу, она будет находиться в незакрепленном положении, что может привести к потере контроля за работой инструмента.



**Внимание!** Будьте особенно внимательны при шлифовании некоторых видов дерева (например, бука, дуба) и металлов, при обработке которых производится токсичная пыль. Надевайте пылезащитную маску, которая специально разработана для защиты от токсичной пыли паров, и гарантирует защиту всех лиц, которые находятся или заходят на рабочий участок.



**Внимание!** Шлифовку черных металлов этим инструментом необходимо производить в хорошо проветриваемом помещении. Запрещается работа этого инструмента вблизи легковоспламеняющихся жидкостей, газов и пыли. Искры или горячие частички, разлетающиеся во время шлифовки, а также искрение щеток электродвигателя могут воспалить горячие материалы.



**Внимание!** Запрещается шлифовать магний! Существует опасность его воспламенения и взрыва.

- Тщательно удалите всю пыль после выполнения шлифования.
- Назначение инструмента описано в этой инструкции по эксплуатации. Использование любых принадлежностей и дополнительных приспособлений вместе с этим инструментом или

использование инструмента в целях, которые не рекомендованы в этой инструкции, может привести к возникновению риска травмирования персонала и повреждения имущества.

## Указания по безопасной шлифовке краски

**Внимание!** Выполняйте все правила техники безопасности при выполнении шлифовки краски. Уделите специальное внимание следующему:

- Для удаления пыли используйте пылесос, если это возможно.
- Будьте особенно внимательны при шлифовании поверхностей, покрытых краской, которая, возможно, содержит свинец, и может быть источником ядовитой пыли:
- Детям и беременным женщинам запрещается находиться на рабочем участке.
- Все лица, находящиеся на рабочем участке, должны быть в маске, специально разработанной для защиты от пыли и паров свинецсодержащей краски.
- Принимать пищу, пить и курить на рабочем участке запрещено.
- Утилизируйте безопасным образом все частицы пыли и другие отходы.

## Безопасность других лиц

- Этот инструмент не предназначен для использования лицами (включая детей) с ограниченными физическими, сенсорными или умственными способностями или лицами, у которых отсутствует необходимый опыт и знания, кроме случаев, когда они находятся под наблюдением и получили надлежащие инструкции по работе с инструментом от лица, ответственного за их безопасность.
- Чтобы дети не играли с инструментом, они должны находиться под присмотром.

## Остаточный риск

Дополнительный остаточный риск может возникать в случаях использования инструмента, которые могут быть не учтены в перечисленных указаниях по безопасной работе. Такой риск может возникнуть при неправильном использовании, продолжительном использовании и т.д. Даже при соблюдении всех соответствующих правил техники безопасности и использовании защитных устройств некоторый остаточный риск все же остается. Он включает:

- Травмы, полученные при касании вращающихся или движущихся деталей.

- Травмы, полученные при замене деталей, ножей или принадлежностей.
- Травмы, полученные вследствие продолжительного использования инструмента. При продолжительном использовании инструмента необходимо делать регулярные перерывы в работе.
- Ухудшение слуха.
- Вред для здоровья, вызванный вдыханием пыли, которая появляется во время работы инструмента (например, при работе с деревом, особенно с дубом, буком или ДВП).

## Вибрация

Уровни вибрации, указанные в технических данных и декларации соответствия, были измерены в соответствии со стандартным методом испытаний, изложенным в EN 60745, и могут использоваться для сравнения инструментов. Заявленный уровень вибрации может также использоваться для предварительной оценки их воздействия.

**Внимание!** Уровень вибрации во время работы электрического инструмента может отличаться от заявленного уровня вибрации, поскольку он зависит от конкретно выполняемой инструментом работы. Уровень вибрации может быть выше установленного уровня.

При оценке воздействия вибрации для определения мер безопасности, требуемых 2002/44/ЕС для защиты лиц, постоянно работающих с электрическими инструментами, необходимо учитывать реальные условия использования и способ использования инструмента, включая все детали рабочего цикла, такие как время выключения и время холостого хода дополнительно к времени запуска.

## Наклейки на инструменте

К поверхности инструмента прикреплены следующие графические изображения:



**Внимание!** Запрещается шлифовать магний! Существует опасность его воспламенения и взрыва.

## Электрическая безопасность



Этот инструмент имеет двойную изоляцию, и поэтому провод заземления ему не нужен. Всегда проверяйте, чтобы сетевое напряжение соответствовало значению, указанному в табличке с паспортными данными.

- В случае повреждения шнура питания, чтобы

избежать возникновения опасных ситуаций, его замену должен выполнить производитель оборудования или уполномоченный сервисный центр BLACK+DECKER.

## Использование удлинителя

- Всегда используйте только утвержденный к применению удлинитель, который соответствует входной (потребляемой) мощности этого инструмента (смотрите технические данные). Проверьте удлинитель перед использованием на наличие повреждений, износа и признаков старения. В случае обнаружения повреждений или дефектов замените удлинитель. В случае использования кабельной катушки всегда разматывайте удлинитель до конца. При использовании удлинителя, не соответствующего входной мощности инструмента, или поврежденного или дефектного удлинителя возникает опасность возникновения пожара и поражения электрическим током.

## Функции


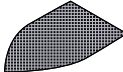
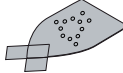

Этот инструмент может обладать всеми или некоторыми из перечисленных ниже функций.

- 1.- Выключатель
- 2.- Контейнер для сбора пыли
- 3.- Шлифовальное основание
- 4.- Пальчиковое крепление

## Принадлежности

Принадлежности, поставляемые вместе с шлифовальным инструментом, зависят от приобретенной вами модели. Все перечисленные ниже принадлежности доступны в нашей линейке изделий Piranha®. Если вам необходима принадлежность, которая указана ниже, но не поставляется вместе с шлифовальным инструментом, зайдите на наш сайт [www.blackanddecker.eu](http://www.blackanddecker.eu).

Эффективность работы инструмента зависит от используемых принадлежностей. Принадлежности BLACK+DECKER и Piranha разработаны в соответствии с высокими стандартами качества, и их конструкция улучшает рабочие характеристики вашего инструмента. При использовании этих принадлежностей вы получите от вашего инструмента максимальную пользу.

Принадлежность	Описание
	<p><b>Пальчиковая деталь</b></p> <p>Для небольших труднодоступных участков. Пальчиковая деталь может использоваться для легкой шлифовки и для шлифовки в углах.</p> <p>(№ по каталогу — X32214-XJ)</p>
	<p><b>Шлифовальная сетка с зернистостью 240.</b></p> <p>Для тонкой отделки больших деталей.</p> <p>(№ по каталогу — X39132-XJ)</p> <p><b>Шлифовальная сетка с зернистостью 120.</b></p> <p>Для средней отделки больших деталей.</p> <p>(№ по каталогу — X39127-XJ)</p> <p><b>Шлифовальная сетка с зернистостью 80.</b></p> <p>Для грубой отделки больших деталей.</p> <p>(№ по каталогу — X39122-XJ)</p>
	<p><b>Наждачный лист с зернистостью 240 с двумя сменными наконечниками для шлифовки больших деталей.</b></p> <p>Для тонкой отделки больших деталей.</p> <p>(№ по каталогу — X31019-XJ)</p> <p><b>Наждачный лист с зернистостью 120 с двумя сменными наконечниками для шлифовки больших деталей.</b></p> <p>Для средней отделки больших деталей.</p> <p>(№ по каталогу — X31009-XJ)</p> <p><b>Наждачный лист с зернистостью 60 с двумя сменными наконечниками для шлифовки больших деталей.</b></p> <p>Для грубой отделки больших деталей.</p> <p>(№ по каталогу — X31039-XJ)</p>
	<p><b>Наждачный лист с зернистостью 120 для шлифовки мелких деталей.</b></p> <p>Для средней отделки мелких деталей.</p> <p>(№ по каталогу — X3277-XJ)</p>

## Сборка

**Внимание!** Перед выполнением сборки проверьте, чтобы инструмент был выключен, а вилка шнура была вынута из сетевой розетки.

### Установка шлифовальной сетки (рис. А)

- Установите инструмент шлифовальным основанием вверх.
- Расположите шлифовальную сетку (5) на шлифовальном основании и проверьте, чтобы отверстия в листе совпадали с отверстиями в основании.

### Установка наждачных листов (рис. В — дополнительная принадлежность)

- Снимите два дополнительных ромбовидных наконечника (7) с шлифовального листа (6).
- Изношенный ромбовидный наконечник (7) можно перевернуть другой стороной или заменить.
- Если передняя часть наконечника износилась, отсоедините наконечник от листа, переверните его другой стороной и прижмите его с усилием на шлифовальное основание.
  - Если наконечник износился полностью, снимите его с шлифовального основания и установите новый наконечник.

Чтобы удаление пыли выполнялось наилучшим образом, проверяйте, чтобы использовались наждачные листы надлежащего типа.

### Пальчиковое крепление (рис. С)

Пальчиковое крепление используется для шлифовки мелких деталей.

- Выкрутите винт (9).
- Снимите ромбовидный наконечник (8) с шлифовального основания.
- Установите пальчиковое крепление (4) на шлифовальное основание.
- Вставьте обратно винт и закрутите его до упора.
- Установите соответствующий наждачный лист на пальчиковое крепление.

### Установка и извлечение кассеты для пыли (рис. D)

- Вставьте кассету для пыли (2) в инструмент и проверьте, чтобы она надежно стала по месту.

- Чтобы снять кассету для пыли, выдвиньте ее назад и достаньте из инструмента.

## Работа инструмента

**Внимание!** Дайте возможность инструменту работать с естественной скоростью. Не перегружайте его.

## Включение и выключение

- Чтобы включить инструмент, переместите выключатель (1) вперед в положение I.
- Чтобы включить инструмент, переместите выключатель (1) назад в положение O.

## Опорожнение кассеты для пыли (рис. D, E и F)

Кассету для пыли необходимо опорожнять через каждые 10 минут работы.

- Придерживая инструмент, достаньте из него кассету для пыли (2).
- Снимите крышку (10) с кассеты.
- Встряхните крышку (10) и кассету для пыли (2), чтобы их опорожнить, а фильтр (11) внутри крышки (10) можно очистить мягкой щеточкой.
- Установите обратно крышку (10) на кассету для пыли (2).
- Установите на место кассету (2) в инструмент.

## Техническое обслуживание

Конструкция вашего инструмента рассчитана на работу на протяжении длительного периода времени при минимальном техническом обслуживании. Продолжительная удовлетворительная работа инструмента обеспечивается надлежащим уходом и регулярной очисткой.

**Внимание!** Перед выполнением каких-либо действий по техническому обслуживанию инструмента выключите инструмент и выньте вилку его шнура из сетевой розетки.

- Регулярно выполняйте чистку вентиляционных прорезей в инструменте с помощью мягкой щеточки или сухой ткани.
- Регулярно выполняйте очистку корпуса двигателя с помощью влажной ткани. Не используйте для очистки абразивные материалы и чистящие средства на основе неводных растворителей.

## Технические данные

		KA2000 (Тип 1)	KA2500 (Тип 1)
Входное напряжение	Впер. тока	220-240	220-240
Потребляемая мощность	Вт	120	120
Колебания (без нагрузки)	мин <sup>-1</sup>	28 000	28 000
Траектории (без нагрузки)	мин <sup>-1</sup>	14 000	14 000
Поверхность шлифовального основания	мм <sup>2</sup>	8161	8161
Вес	кг	1	1

$L_{pA}$  (звуковое давление) 73 дБ(A), разброс (K) 3 дБ(A)

$L_{WA}$  (звуковая мощность) 84 дБ(A), разброс (K) 3 дБ(A)

Суммарные уровни вибрации (сумма векторов по трем осям) согласно EN 60745:

Значение вибрации ( $a_{rv}$ ) 7,0 м/с<sup>2</sup>, разброс (K) 1,5 м/с<sup>2</sup>



**Декларация соответствия ЕС**  
ДИРЕКТИВА ПО МАШИННОМУ ОБОРУДОВАНИЮ



**KA2000 / KA2500**

BLACK+DECKER заявляет, что изделия, описанные в «технических данных», соответствуют: 2006/42/ЕС, EN 60745-1, EN 60745-2-4

Эти продукты также соответствуют Директиве 2014/30/ЕС и 2011/65/ЕС. Для получения более подробной информации, пожалуйста, свяжитесь с BLACK+DECKER по адресу, который указан ниже или с обратной стороны инструкции.

Нижеподписавшийся является ответственным за составление файла с техническими данными и подписывает эту декларацию от имени BLACK+DECKER.

**R. Laverick**  
Главный инженер  
BLACK+DECKER Europe, 210 Bath Road,  
Slough,  
Berkshire, SL1 3YD  
Соединенное Королевство  
10.2015

**Защита окружающей среды**



Раздельный сбор отходов. Запрещается утилизировать этот продукт вместе с обычными бытовыми отходами.

Если вы решите, что ваше изделие BLACK+DECKER необходимо заменить, или если вы не будете его больше использовать, не утилизируйте его вместе с бытовыми отходами. Этот продукт подлежит раздельному сбору отходов.



Раздельный сбор использованных продуктов и упаковочных материалов позволяет производить их вторичную переработку с дальнейшим повторным использованием. Повторное использование материалов, прошедших вторичную переработку, снижает загрязнение окружающей среды и уменьшает потребность в сырьевых материалах.

Нормативные акты местных органов власти могут предусматривать сбор использованных электрических изделий отдельно от бытовых отходов, в муниципальных пунктах сбора отходов или в магазине при покупке нового изделия.

BLACK+DECKER предоставляет возможность для сбора и повторной переработки продуктов BLACK+DECKER после окончания срока их службы. Чтобы воспользоваться преимуществом этого сервиса, пожалуйста, отправьте ваш продукт любому уполномоченному представителю по ремонту, который собирает такие изделия от нашего имени.

Вы можете узнать адрес нашего ближайшего уполномоченного представителя по ремонту, позвонив в региональное представительство BLACK+DECKER, указанное в этой инструкции. Кроме того, список уполномоченных представителей по ремонту BLACK+DECKER, подробная информация о послепродажном обслуживании и контактные данные можно найти на сайте [www.2helpU.com](http://www.2helpU.com).

## Гарантийные обязательства

Black + Decker уверена в качестве своих изделий и предоставляет исключительную гарантию. Данное заявление о гарантии дополняет и ни в коей мере не нарушает ваши законные права.

Если продукт производства Black + Decker придет в негодность вследствие некачественных материалов, некачественного изготовления или несоответствия требованиям, BLACK+DECKER гарантирует в пределах 24-х месяцев с даты продажи выполнять замену дефектных деталей, выполнять ремонт изделий, подвергшихся естественному износу, или выполнять замену таких изделий, для сведения к минимуму неудобств для покупателя, за исключением перечисленных ниже случаев:

- Данный продукт был использован для продажи, на промышленных работах или сдавался на прокат.
- Данный продукт использовался неправильно или без надлежащего ухода.
- Данному продукту был нанесен ущерб посторонними предметами, веществами или вследствие чрезвычайного происшествия.
- Была осуществлена попытка ремонта продукта лицами, не являющимися уполномоченными представителями по ремонту или ремонтно-обслуживающим персоналом Black + Decker.

Чтобы заявить претензию по гарантии, необходимо будет предоставить подтверждение покупки продавцу или уполномоченному представителю по ремонту. Вы можете узнать адрес нашего ближайшего уполномоченного представителя по ремонту, позвонив в региональное представительство BLACK+DECKER, указанное в этой инструкции. Кроме того, список уполномоченных представителей по ремонту BLACK+DECKER, подробная информация о послепродажном обслуживании и контактные данные можно найти на сайте [www.2helpU.com](http://www.2helpU.com).



## Гарантийные условия

### Уважаемый покупатель!

1. Поздравляем Вас с покупкой высококачественного изделия Black + Decker и выражаем признательность за Ваш выбор.
2. При покупке изделия требуйте проверки его комплектности и исправности в Вашем присутствии, инструкцию по эксплуатации и заполненный гарантийный талон на русском языке.

В гарантийном талоне должны быть внесены: модель, дата продажи, серийный номер, дата производства инструмента; название, печать и подпись торговой организации. При отсутствии у Вас правильно заполненного гарантийного талона мы будем вынуждены отклонить Ваши претензии по качеству данного изделия.

3. Во избежание недоразумений убедительно просим Вас перед началом работы с изделием внимательно ознакомиться с инструкцией по его эксплуатации.

Правовой основой настоящих гарантийных условий является действующее Законодательство.

Гарантийный срок на данное изделие составляет 24 месяца и исчисляется со дня продажи. В случае устранения недостатков изделия, гарантийный срок продлевается на период его нахождения в ремонте.

Срок службы изделия - 5 лет со дня продажи.

4. В случае возникновения каких-либо проблем в процессе эксплуатации изделия рекомендуем Вам обращаться только в уполномоченные сервисные центры Black + Decker, адреса и телефоны которых Вы сможете найти в гарантийном талоне, на сайте [www.2helpU.com](http://www.2helpU.com) или узнать в магазине. Наши сервисные станции - это не только квалифицированный ремонт, но и широкий ассортимент запчастей и принадлежностей.
5. Производитель рекомендует проводить периодическую проверку и техническое обслуживание изделия в уполномоченных сервисных центрах.

6. Наши гарантийные обязательства распространяются только на неисправности, выявленные в течение гарантийного срока и вызванные дефектами производства и \ или материалов.
7. Гарантийные обязательства не распространяются на неисправности изделия, возникшие в результате:
  - 7.1. Несоблюдения пользователем предписаний инструкции по эксплуатации изделия, применения изделия не по назначению, неправильному хранении, использовании принадлежностей, расходных материалов и запчастей, не предусмотренных производителем.
  - 7.2. Механического повреждения (сколы, трещины и разрушения) внутренних и внешних деталей изделия, основных и вспомогательных рукояток, сетевого электрического кабеля, вызванного внешним ударным или любым иным воздействием.
  - 7.3. Попадания в вентиляционные отверстия и проникновение внутрь изделия посторонних предметов, материалов или веществ, не являющихся отходами, сопровождающими применение изделия по назначению, такими как: стружка, опилки, песок, и пр.
  - 7.4. Воздействие на изделие неблагоприятных атмосферных и иных внешних факторов, таких как дождь, снег, повышенная влажность, нагрев, агрессивные среды, несоответствие параметров питающей электросети, указанным на инструменте.
  - 7.5. Стихийного бедствия. Повреждение или утрата изделия, связанное с непредвиденными бедствиями, стихийными явлениями, в том числе вследствие действия непреодолимой силы (пожар, молния, потоп и другие природные явления), а так же вследствие перепадов напряжения в электросети и другими причинами, которые находятся вне контроля производителя.
8. Гарантийные условия не распространяются:
  - 8.1. На инструменты, подвергавшиеся вскрытию, ремонту или модификации вне уполномоченной сервисного центра.
  - 8.2. На детали и узлы, имеющие следы естественного износа, такие как: приводные ремни и колеса, угольные щетки, смазка, подшипники, зубчатое зацепление редукторов, резиновые уплотнения, сальники, направляющие ролики, муфты, выключатели, бойки, толкатели, стволы и т.п.
  - 8.3. на сменные части: патроны, цанги, зажимные гайки и фланцы, фильтры, аккумуляторные батареи, ножи, шлифовальные подошвы, цепи, звездочки, пильные шины, защитные кожухи, пилки, абразивы, пыльные и абразивные диски, фрезы, сверла, буры и т.п.
  - 8.4. На неисправности, возникшие в результате перегрузки инструмента (как механической, так и электрической), повлекшей выход из строя одновременно двух и более деталей и узлов, таких как: ротора и статора, обеих обмоток статора, ведомой и ведущей шестерни редуктора и других узлов и деталей. К безусловным признакам перегрузки изделия относятся, помимо прочего: появление цветов побежалости, деформация или оплавление деталей и узлов изделия, потемнение или обугливание изоляции проводов электродвигателя под воздействием высокой температуры.

Изготовитель

Блэк энд Деккер Холдингс ГмбХ  
Германия, 655 10, Идштайн,  
ул. Блэк энд Деккер, 40

## Kullanım amacı

BLACK + DECKER zımpara makineniz ahşap, metal, plastikler ve boyalı yüzeyleri zımparalama işlemine yönelik olarak tasarlanmıştır. Bu alet, yalnızca tüketici kullanımı içindir.

## Güvenlik talimatları

### Genel elektrikli alet güvenlik uyarıları



**Uyarı!** Tüm güvenlik uyarılarını ve talimatları okuyun. TTüm uyarılara ve talimatlara uyulmaması halinde, elektrik çarpması, yangın ve/veya ciddi yaralanmalar olabilir.

### İleride ihtiyaç duyulması ihtimaline karşın tüm uyarıları ve talimatları saklayın.

Aşağıda listelenen uyarıların tümünde geçen "elektrikli alet" terimi, elektrik şebekesiyle çalışan (kablolu) elektrikli aletleri veya bataryayla çalışan (kablesiz) elektrikli aletleri ifade etmektedir.

### 1. Çalışma alanı güvenliği

- Çalışma alanı temiz tutulmalı ve iyi aydınlatılmalıdır.** Dağınık veya karanlık alanlar, kazalara neden olur.
- Elektrikli aletleri, alev alabilen sıvıların, gazların veya tozun olduğu ortamlar gibi patlayıcı ortamlarda çalıştırmayın.** Elektrikli aletler, tozları veya buharları tutuşturabilen kıvılcımlar çıkarır.
- Bir elektrikli aleti çalıştırırken, çocukları ve izleyen kişileri uzak tutun.** Dikkat dağınıklığı, kontrolü kaybetmenize neden olabilir.

### 2. Elektriksel güvenlik

- Elektrikli aletlerin fişleri, prizlerle uyumlu olmalıdır.** Fişin üzerinde hiçbir şekilde değişiklik yapmayın. Adaptör fişleri, topraklanmış elektrikli aletlerle kullanmayın. Üzerinde değişiklik yapılmamış fişler ve uyumlu prizler, elektrik çarpması riskini azaltır.
- Boru, radyatör, ocak veya buzdolabı gibi topraklanmış yüzeylerle vücut temasından kaçının.** Vücutunuz topraklanırsa, elektrik çarpması riski artar.
- Elektrikli aletleri yağmura veya ıslak koşullara maruz bırakmayın.** Elektrikli aletin içine su girmesi, elektrik çarpması riskini artırır.
- Kabloya zarar vermeyin. Kabloyu asla taşıma, çekme ve prizden sökme gibi işlemler için kullanmayın. Kabloyu ısıdan, yağdan, keskin kenarlardan ve hareketli parçalardan uzak tutun.** Hasar görmüş veya karışmış kablolar, elektrik çarpması riskini artırır.

- Elektrikli bir aleti açık havada çalıştırırken, açık havada kullanım için uygun bir uzatma kablosu kullanın.** Açık havada kullanımı için uygun bir kablonun kullanılması, elektrik çarpması riskini azaltır.
- Elektrikli aletin nemli bir yerde çalıştırılması gerekiyorsa, kaçak akım rölesi (RCD) korumalı bir besleme kullanın.** Kaçak akım rölesinin kullanılması, elektrik çarpması riskini azaltır.

### 3. Kişisel güvenlik

- Bir elektrikli aleti çalıştırırken tetikte olun, ne yaptığınızda dikkat edin ve sağduyulu davranın.** Uyuşturucu maddelerin, alkolün veya ilaçların etkisi altındayken elektrikli alet kullanmayın. Elektrikli aletleri çalıştırırken, bir anlık dikkatsizlik ciddi yaralanmalara neden olabilir.
  - Kişisel koruyucu donanım kullanın. Daima göz koruması kullanın.** Uygun koşullar için kullanılan toz maskesi, kaymaz güvenlik ayakkabısı, baret veya kulak tıkacı gibi koruyucu donanımlar, yaralanma riskini azaltır.
  - İstem dışı çalışmayı önleyin. Aleti kaldırmadan, taşımadan veya güç kaynağına ve /veya batarya kutusuna bağlamadan önce, aletin kapalı konumda olduğundan emin olun.** Aleti, parmağınız düğmenin üzerindeyken taşımak veya açma düğmesi olan aletlere enerji vermek, kazalara davetiye çıkarır.
  - Elektrikli aleti açmadan önce, ayar anahtarını veya İngiliz anahtarını çıkarın.** Aletin döner bölümüne takılı halde bırakılmış İngiliz anahtarı veya anahtar, yaralanmalara neden olabilir.
  - Kapasiteyi aşmayın. Daima uygun dayanak ve denge sağlayın.** Bu, beklenmeyen durumlarda aletin daha iyi kontrol edilebilmesini sağlar.
  - Uygun giyinin. Bol kıyafetler giymeyin ve takı takmayın. Saçlarınızı, kıyafetlerinizi ve eldivenlerinizi, hareketli parçalardan uzak tutun.** Bol kıyafetler, takılar ve uzun saçlar, hareketli parçalara takılabilir.
  - Cihazlarda toz giderme ve toplama tesisatı varsa, bunların bağlı olduğundan ve uygun şekilde bağlantı yapılarak kullanıldığından emin olun.** Toz toplama tesisatının kullanımı, tozdan kaynaklı hasarları azaltabilir.
- ### 4. Elektrikli alet kullanımı ve bakımı

- Elektrikli aleti zorlamayın. Uygulamanız için doğru elektrikli aleti kullanın.** Doğru elektrikli alet, tasarlanma amacı oranında işi daha iyi ve daha güvenli bir şekilde yapacaktır.

- b. **Elektrikli alet, düğme kullanılarak açılmıyor veya kapatılmıyorsa, aleti kullanmayın.** Düğme ile kontrol edilemeyen elektrikli aletler tehlike arz eder ve tamir edilmeleri gerekir. **yapmadan veya aletleri kaldırmadan önce, fişi güç kaynağından çekin ve/veya batarya kutusunu elektrikli aletten çıkarın.** Bu gibi önleyici güvenlik önlemleri, elektrikli aletin kazara çalıştırılması riskini azaltır.
- d. **Kullanılmayan elektrikli aletleri çocukların erişemeyeceği yerlerde saklayın ve elektrikli alete veya bu talimatlara aşına olmayan kişilerin aleti çalıştırmasına izin vermeyin.** Elektrikli aletler, eğitimsiz kişiler tarafından kullanıldığında tehlike arz eder.
- e. **Elektrikli aletlerin bakımını yapın. Hareketli parçalarda yanlış ayarlama veya bağlantı olup olmadığını, parçalarda kırık olup olmadığını ve elektrikli aletin çalışmasını etkileyecek herhangi başka bir durum olup olmadığını kontrol edin. Hasar varsa, elektrikli aleti kullanmadan önce tamir ettirin.** Çoğu kazanın nedeni, elektrikli aletlerin bakımının iyi yapılmamasıdır.
- f. **Kesme aletlerini keskin ve temiz halde tutun.** Bakımı iyi yapılmış keskin kenarlı kesme aletlerinin tutukluk yapma ihtimali daha düşüktür ve kontrol edilmeleri daha kolaydır.
- g. **Elektrikli aleti, aksesuarları, torna kalemlerini vb. parçaları, çalışma koşullarını ve yapılacak işi dikkate alarak, bu talimatlar uyarınca kullanın.** Elektrikli aletin kullanım amacından başka işlemler için kullanılması, tehlikeli durumlara neden olabilir.
5. **Servis**
- a. **Elektrikli cihazınızın bakımını, yalnızca aynı yedek parçaları kullanan kalifiye bir tamirciye yaptırın.** Böylece, cihazınızın güvenli halinin devam ettiğinden emin olursunuz.

## Ek elektrikli alet güvenlik uyarıları



**Uyarı!** Zımpara makinelerine yönelik güvenlik uyarıları



**Uyarı!** Zımparalama uygulamalar sonucunda ortaya çıkan tozlarla temas veya bu tozların solunması operatörün ve yanında bulunan kişilerin sağlığı açısından tehlike arz edebilir. Toza ve dumana karşı özel olarak koruma sağlamak üzere tasarlanmış bir toz maskesi giyin ve iş alanı içerisindeki veya bu alan giren kişilerin de korunmasını sağlayın.

- **Kesme aksesuarlarının gizli bağlantıya temas edebileceği bir iş yaparken, elektrikli aleti yalıtımlı tutma yüzeylerinden tutun.** Aksesuarların "elektrikli" bir

tele temas etmesi, elektrikli aletinın açtıktaki metal parçalarının "elektriklenmesine" ve kullanıcının çarpılmasına neden olabilir.

- **Parçayı sabit bir platforma sabitlemek ve desteklemek için, kıskaç veya başka bir pratik yol kullanın.** Parçayı elinizle veya vücudunuza doğru tutmak, parçayı sabit olmayan bir hale getirir ve kontrol kaybına neden olabilir.



**Uyarı!** Zehirli tozlar üretebilecek ahşap (örneğin kayın, meşe) ve metal zımparalarken özellikle dikkatli olun. Zehirli tozlara ve dumana karşı özel olarak koruma sağlamak üzere tasarlanmış bir toz maskesi giyin ve iş alanı içerisindeki veya bu alan giren kişilerin de korunmasını sağlayın.



**Uyarı!** Bu aletle demirli metallerde zımparalama yapmak için iyi havalandırılmış bir yer seçin. Yangıcı sıvıların, gazların ya da tozların yakınında çalıştırmayın. Zımparalamadan ya da ark oluşturan motor sürtünmelerinden kaynaklanan kıvılcımlar ya da sıcak partiküller, yangıcı materyalleri tutuşturabilir.



**Uyarı!** Magnezyum üzerinde zımparalama yapmayın! Yangın veya patlama riski söz konusudur.

- Zımparalama işlemini yaptıktan sonra oluşan tüm tozu tamamen giderin.
- Kullanım amacı bu talimat kılavuzunda açıklanmıştır. Bu aletin, talimat kılavuzunda tavsiye edilenler dışında herhangi bir aksesuarını, eklentisinin veya performansının kullanılmasını, yararlanmalarını ve/veya mal hasarına neden olabilir.

## Boya zımparalamasında güvenlik

**Uyarı!** Boya zımparalarken ilgili yönetmeliklere uyun. Şunlara özellikle dikkat edin:

- Mümkün olan durumlarda, tozları toplamak için bir elektrikli süpürge kullanın.
- Muhtemelen kurşun bazlı boya veya zehirli toz oluşturabilecek materyalleri zımparalarken özellikle dikkat edin:
- Çocukların ve hamile kadınların çalışma alanına girmesine izin vermeyin.
- Çalışma alanına giren herkes, kurşun boya tozuna ve dumanlarına karşı koruma sağlayan bir maske giymelidir.
- Çalışma alanında bir şeyler tüketmeyin, sigara içmeyin.
- Toz partiküllerini ve diğer kalıntıları güvenli bir şekilde giderin.

## Diğer kişilerin güvenliği

- Bu alet, aletin kullanımı konusunda bilgilendirilmedikleri veya güvenliklerinden sorumlu bir kişi tarafından gözetim altında tutulmadıkları sürece, fiziksel, duyuşsal veya zihinsel yetenekleri yetersiz olan veya tecrübe ve bilgi eksikliği olan kişiler (çocuklar dahil) tarafından kullanılabilir.
- Çocuklar, cihazla oynamadıklarından emin olmak için gözetim altında tutulmalıdır.

## Kalıntı riskleri

Artık ek riskler, ürün ilgili güvenlik uyarılarında mevcut olmayan şekilde kullanıldığında ortaya çıkabilir. Bu riskler yanlış kullanım, uzun süreli kullanım vb. nedenlerden dolayı ortaya çıkabilir. Güvenlik cihazlarının ilgili güvenlik yönetmeliklerinin ve uygulamalarının yerine getirilmesi bile, bazı kalan risklerden kaçınmak için yeterli değildir. Bu risklerden bazıları şunlardır:

- Döner/hareketli parçalara dokunmaktan kaynaklanan yaralanmalar.
- Parçaları, bıçakları veya aksesuarları değiştirirken meydana gelen yaralanmalar,
- Bir aletin uzun süreli kullanımından kaynaklanan yaralanmalar, Herhangi bir aleti uzun süre kullanırken, düzenli aralar verdiğinizden emin olun,
- Duyma bozukluğu.
- Aletinizi kullanırken toz solumaktan dolayı meydana gelen sağlık tehditleri (örneğin, ahşapla çalışırken; özellikle de meşe, kayın ve MDF).

## Titreşim

Teknik veriler ve uygunluk beyanında belirtilen titreşim emisyonu değerleri, EN 60745 tarafından sağlanan standart bir test yöntemi uyarınca ölçülmüştür ve bir aleti başka bir aletle karşılaştırmak için kullanılabilir. Belirtilen titreşim emisyonu değeri, aynı zamanda teşhirin ön değerlendirmesi için de kullanılabilir.

**Uyarı!** Elektrikli aletin fiili kullanımı sırasındaki titreşim emisyonu değeri, aletin kullanım şekillerine göre belirtilen değerden farklı olabilir. Titreşim seviyesi, belirtilen seviyenin üzerine çıkabilir.

İşlerinde elektrikli aletleri düzenli olarak kullanan kişileri korumak için 2002/44/EC uyarınca gerekli görülen güvenlik önlemlerini belirlemek için titreşim maruziyeti değerlendirilirken, titreşim maruziyetinin tahmini, başlatma zamanına ek olarak, aletin kapandığı ve boşta çalıştığı zamanlar gibi faaliyet döngüsünün tamamı dahil, gerçek

kullanım koşulları ve aletin kullanım şekli göz önünde bulundurulmalıdır.

## Aletin üzerindeki etiketler

Aletin üzerinde, aşağıdaki resimli şemalar gösterilmektedir:



**Uyarı!** Magnezyum üzerinde zımparalama yapmayın! Yangın veya patlama riski söz konusudur.

## Elektriksel güvenlik



Bu alet çift yalıtımlıdır; dolayısıyla topraklama kablosu gerekmez. Şebeke geriliminin anma değeri plakasındaki gerilimle uyumlu olup olmadığını daima kontrol edin.

- Besleme kablosu hasar görmüşse, tehlikelerden kaçınmak için üretici veya yetkili bir BLACK+DECKER Servis Merkezi tarafından yenisiyle değiştirilmelidir.

## Uzatma kablosunun kullanımı

Daima bu aletin güç girişi için uygun ve onaylanmış bir uzatma kablosu kullanın (teknik verilere göz atın). Kullanmadan önce, uzatma kablosunu hasar, aşınma ve eskime olup olmadığını görmek için kontrol edin. Hasar görmüş veya kusurlu olması durumunda uzatma kablosunu değiştirin. Kablo makarası kullanırken kabloyu daima tamamen çözün. Aletin güç girişine uygun olmayan veya hasar görmüş ya da kusurlu bir uzatma kablosunun kullanımı yangın ve elektrik çarpması riskini doğurabilir.


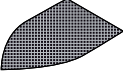
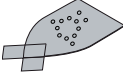
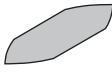
## Özellikler

Aşağıdaki özelliklerin bazıları veya tümü bu alette mevcuttur.

- Açma/Kapama düğmesi
- Toz biriktirme haznesi
- Zımparalama tabanı
- Parmak ataşmanı

## Aksesuarlar

Zımpara makinenizle birlikte verilen aksesuarlar, satın aldığınız modele göre değişir. Aşağıda listelenen tüm aksesuarlar, Piranha® modellerimiz içindir. Aşağıda listelenen ancak zımpara makinenizle birlikte verilmeyen bir aksesuara ihtiyaç duyarsanız, [www.blackanddecker.eu](http://www.blackanddecker.eu) adresindeki web sitemizi ziyaret edin. Aletinizin performansı, kullanılan aksesuara bağlıdır. BLACK+DECKER ve Piranha aksesuarları, yüksek kalite standartlarına göre ve aletinizin performansını iyileştirmek üzere tasarlanmıştır. Bu aksesuarları kullanarak, aletinizden en iyi performansı alırsınız.

Ürün	Açıklama
	<p><b>Detay parmağı.</b></p> <p>Küçük ve erişilmesi zor alanlar için. Bu detay parmağı, hafif zımparalama işlemleri ve köşelerin zımparalanması için kullanılabilir.</p> <p>(Parça Numarası - X32214-XJ)</p>
	<p><b>240 kum zımparalama ağı.</b></p> <p>Büyük detaylı zımparalama işlemleri için ince bir son kat.</p> <p>(Parça Numarası - X39132-XJ)</p> <p><b>120 kum zımparalama ağı.</b></p> <p>Büyük detaylı zımparalama işlemleri için orta bir son kat.</p> <p>(Parça Numarası - X39127-XJ)</p> <p><b>80 kum zımparalama ağı.</b></p> <p>Büyük detaylı zımparalama işlemleri için kaba bir son kat.</p> <p>(Parça Numarası - X39122-XJ)</p>
	<p>İki yedek uçlu 240 kum büyük detaylı zımpara kağıdı.</p> <p>Büyük detaylı zımparalama işlemleri için ince bir son kat.</p> <p>(Parça Numarası - X31019-XJ)</p> <p><b>120 kum büyük detaylı zımpara kağıdı, iki yedek uç ile.</b></p> <p>Büyük detaylı zımparalama işlemleri için orta bir son kat.</p> <p>(Parça Numarası - X31009-XJ)</p> <p><b>İki yedek uçlu 60 kum büyük detaylı zımpara kağıdı.</b></p> <p>Büyük detaylı zımparalama işlemleri için kaba bir son kat.</p> <p>(Parça Numarası - X31039-XJ)</p>
	<p><b>120 kum detaylı parmak zımpara kağıdı.</b></p> <p>Detaylı zımparalama işlemleri için orta bir son kat.</p> <p>(Parça Numarası - X3277-XJ)</p>

## Montaj

**Uyarı!** Montajdan önce, ürünün kapalı konumda ve prizden çekilmiş olduğundan emin olun.

## Zımpara ağının takılması (şekil A)

- Aleti, zımpara tabanı yukarı bakacak şekilde tutun.
- Zımpara ağını (5) tabanın üzerine yerleştirin ve kağıttaki deliklerin üsteki deliklerle hizada olduğundan emin olun.

## Zımpara kağıtlarının takılması (Şekil B - Opsiyonel aksesuar)

- İki ilave elmas şekilli ucu (7) zımpara kağıdından (6) çıkarın.

Elmas şekilli uç (7) aşındığında ters çevrilebilir ve değiştirilebilir.

- Ucun ön kısmı aşındığında, kağıttan çıkarın, ters çevirin ve sonra zımparalama tabanına tekrar takın.
- Tüm uç eskidiğinde, zımparalama tabanından çıkarın ve yeni bir uç takın.

Toz toplama performansını en iyi duruma getirmek için, doğru bir zımpara kağıdı kullandığınızdan emin olun.

## Parmak eki (Şekil C)

Parmak eki, ince detaylı zımparalama için kullanılır.

- Vidayı (9) çıkarın.
- Elmas ucu (8) zımparalama tabanından çıkarın.
- Parmak ataşmanını (4) zımparalama tabanına takın.
- Vidayı takın ve sıkıştırın.
- Uygun zımparalama kağıdını parmak ataşmanına takın.

## Toz kutusunun takılması ve çıkarılması (şekil D)

- Toz kutusunu (2) alete takın ve güvenli bir şekilde yerleştirildiğinden emin olun.
- Toz kutusunu çıkarmak için, kutuyu arkaya doğru çekip aletten çıkarın.

## Kullanım

**Uyarı!** Aleti kendi temposunda çalıştırın. Aşırı yüklemeyin.

## Açma ve kapatma

- Aleti açmak için, açma/kapama düğmesini (1) ileri pozisyona I kaydırın.
- Aleti açmak için, açma/kapama düğmesini (1) geri pozisyona O kaydırın.

**Toz kutusunun boşaltılması (Şekil D, E ve F)**

Toz kutusu, her 10 dakikalık kullanımda bir kez temizlenmelidir.

- Aleti tutarken, toz kutusunu (2) aletten çekerek çıkarın.
- Toz kapağını (10) çıkarın.
- Kapağı (10) ve toz kutusunu (2) sallayarak içindekileri boşaltın, kapağın (10) içindeki filtre (11), yumuşak kuru bir fırça ile temizlenebilir.
- Kapağı (10) toz kutusuna (2) tekrar takın.
- Toz kutusunu (2) tekrar takın.

**Bakım**

Aletiniz, minimum bakım gereksinimi ile uzun zaman çalışmak üzere tasarlanmıştır. Aletin sürekli olarak memnun edici şekilde çalışması, uygun alet bakımına ve düzenli temizliğe bağlıdır.

**Uyarı!** Herhangi bir bakım işlemi gerçekleştirmeden önce, aleti kapatın ve prizden çekin.

- Yumuşak bir fırça veya kuru bir bez kullanarak, aletinizdeki havalandırma deliklerini düzenli olarak temizleyin.
- Motor yuvasını nemli bir bez kullanarak düzenli olarak temizleyin. Aşındırıcı veya çözücü bazlı temizlik malzemeleri kullanmayın.

**Teknik veriler**

		KA2000 (Tip 1)	KA2500 (Tip 1)
Giriş gerilimi	$V_{ac}$	220-240	220-240
Güç girişi	W	120	120
Salınım (yüksüz halde)	$min^{-1}$	28.000	28.000
Faaliyet yörüngesi (yüksüz halde)	$min^{-1}$	14.000	14.000
Zımparalama tabanı yüzeyi	$mm^2$	8161	8161
Ağırlık	kg	1	1

$L_{pA}$  (ses basıncı) 73 dB(A), Belirsizlik (K) 3 dB(A)

$L_{WA}$  (ses basıncı) 84 dB(A), Belirsizlik (K) 3 dB(A)

EN 60745 uyarınca titreşim toplam değerleri (üç eksenli vektör toplamı):

Vibrasyon salma değeri ( $a_n$ ) 7,0 m/s<sup>2</sup>, belirsizlik (K) 1,5 m/s<sup>2</sup>

**AB uygunluk beyanı**

MAKİNE DİREKTİFİ



KA2000 / KA2500

BLACK+DECKER "teknik veriler" altında tanımlanan bu ürünlerin aşağıdakilere uygun olduğunu beyan eder: 2006/42/EC, EN 60745-1, EN 60745-2-4

Bu ürünler aynı zamanda 2014/30/EU ve 2011/65/EU Direktiflerine de uygundur. Daha fazla bilgi için, lütfen aşağıdaki adresten BLACK+DECKER ile iletişime geçin veya kılavuzun arkasına bakın.

Aşağıda imzası bulunan şahıs, teknik dosyanın derlenmesinden sorumludur ve BLACK+DECKER adına bu beyanını vermektedir.

**R. Laverick**

Mühendislik Müdürü

BLACK+DECKER Europe, 210 Bath Road,

Slough,

Berkshire, SL1 3YD

Birleşik Krallık

10,2015



## Çevrenin korunması



Ayrı olarak atın. Bu ürün, normal evsel atıklarla birlikte atılmamalıdır.

BLACK+DECKER ürününüzün değiştirilmesi gerektiğini düşünmeniz veya artık kullanılamaz durumda olması halinde onu, evsel atıklarla birlikte atmayın. Bu ürünü, ayrı olarak toplanacak şekilde atın.



Kullanılmış ürünlerin ve ambalajların ayrı olarak toplanması bu maddelerin geri dönüşüme sokularak yeniden kullanılmasına olanak tanır. Geri dönüşümlü maddelerin tekrar kullanılması çevre kirliliğinin önlenmesine yardımcı olur ve ham madde ihtiyacını azaltır.

Yerel yönetmelikler, elektrikli ürünlerin evlerden toplanıp belediye atık tesislerine aktarılması veya yeni bir ürün satın alırken perakende satıcı tarafından toplanması yönünde hükümler içerebilir.

BLACK+DECKER, hizmet ömrünün sonuna ulaşan BLACK+DECKER ürünlerinin toplanması ve geri dönüşme sokulması için bir imkan sunmaktadır. Bu hizmetin avantajlarından faydalanmak için, lütfen, ürününüzü bizim adımıza teslim edecek herhangi bir yetkili servise iade edin.

Bu kılavuzda belirtilen listeden size en yakın BLACK+DECKER yetkili tamir servisinin yerini öğrenebilirsiniz. Ya da, alternatif olarak internet'ten BLACK+DECKER yetkili tamir servislerinin listesini ve satış sonrası hizmetlerimizle ilgili tüm bilgiler ve temas bilgilerine aşağıdaki siteden ulaşabilirsiniz. [www.2helpU.com](http://www.2helpU.com)

## Garanti

BLACK+DECKER, ürünün kalitesinden emindir ve bu yüzden kanunlarda belirtilen taleplerin üstünde bir garanti verir. Ayrıca bu garanti hiçbir şekilde garanti ile ilgili kanuni haklarınızı ihlal etmez ve haklarınızı hiç bir şekilde kısıtlamaz.

Eğer bir BLACK+DECKER ürünü, satın alma tarihinden itibaren 24 ay içinde hatalı malzeme, işçilik ya da uygunsuzluk nedeniyle bozulursa, müşteriye mümkün olabilecek en az sorunu yaşatarak BLACK+DECKER hatalı kısımları değiştirmeyi, adil bir şekilde aşınmış ve yıpranmış ürünleri tamir etmeyi veya değiştirmeyi garanti eder. Ancak bu belirtilenler şu durumlar dışında geçerlidir:

- Ürün ticari veya profesyonel amaçlarla kullanılmışsa veya kiraya verilmişse;
- Ürün yanlış veya amaç dışı kullanılmışsa;
- Ürün yabancı nesnelere, maddelere veya kaza sırasında zarar görmüşse;
- Yetkili tamir servisleri veya Black + Decker servis ekibinden başkası tarafından tamir edilmeye çalışılmışsa.

Garanti talebinde bulunmak için, satıcıya veya yetkili tamir servisine satın aldığınıza dair ispat sunmalısınız. Fatura ve garanti kartı gerekmektedir. Bu kılavuzda belirtilen listeden size en yakın BLACK+DECKER yetkili tamir servisinin yerini öğrenebilirsiniz. Ya da, alternatif olarak internet'ten BLACK+DECKER yetkili tamir servislerinin listesini ve satış sonrası hizmetlerimizle ilgili tüm bilgiler ve temas bilgilerine aşağıdaki siteden ulaşabilirsiniz. [www.2helpU.com](http://www.2helpU.com)

## Призначення

Інструмент для шліфування виробництва BLACK+DECKER призначений для шліфування дерев'яних, металевих, пластмасових та пофарбованих поверхонь. Цей інструмент призначений тільки для використання споживачем.

## Вказівки з техніки безпеки

Загальні вказівки щодо безпечної роботи з електричним інструментом



**Увага! Уважно прочитайте всі попереджувальні написи та вказівки щодо безпечної роботи.** Недотримання вказівок щодо безпечної роботи може призвести до ураження електричним струмом, пожежі та/або серйозних травм персоналу.

Зберігайте всі попереджувальні написи та вказівки щодо безпечної роботи для використання в майбутньому.

Термін «електричний інструмент», що використовується у всіх застережливих написах та вказівках щодо техніки безпеки, представлених нижче, відноситься до електричного інструменту, що працює від мережі (зі шнуром електроживлення) або від акумуляторної батареї (без шнура живлення).

### 1. Вказівки з безпеки на робочому місці

- a. **Робоче місце повинне утримуватися в чистоті та повинне бути обладнане належним освітленням.** Безлад або погане освітлення на робочому місці може призвести до нещасного випадку.
- b. **Забороняється використання електричного інструменту у вибухонебезпечному середовищі, наприклад, в умовах наявності легкозаймистих рідин, газів або пилу.** Іскри, що виникають при роботі електричного інструменту, можуть запалити пил, пари і газу.
- c. **Забороняється перебування дітей та сторонніх осіб поблизу працюючого електричного інструменту.** Відволікаючі фактори можуть призвести до втрати контролю за роботою інструменту.

### 2. Електрична безпека

- a. **Вилка шнура електричного інструменту повинна відповідати мережеві розетці.** Забороняється вносити які-небудь зміни у вилку електричного шнура. Забороняється використання будь-яких

штепсельних перехідників при роботі заземленого електричного інструменту. Відсутність змін у вилках електричних шнурів та відповідність електричних вилок і розеток знижує ризик ураження електричним струмом.

- b. **Не допускайте контакту тіла із заземленими поверхнями таких об'єктів, як труби, радіатори, електроплити та холодильники.** Якщо ваше тіло заземлене, ризик його ураження електричним струмом підвищується.
  - c. **Електричні інструменти не повинні піддаватися впливу дощу та знаходитися в умовах підвищеної вологості.** При попаданні вологи всередину електричного інструменту підвищується ризик ураження електричним струмом.
  - d. **Забороняється використовувати електричний шнур не за призначенням.** Ніколи не беріть, не тягніть та не виймайте електричний інструмент за шнур. Електричний шнур не повинен знаходитися поблизу джерел тепла, масла, гострих країв та рухомих деталей. Пошкоджені та закручені електричні шнури підвищують ризик ураження електричним струмом.
  - e. **При роботі електричного інструменту на відкритому повітрі використовуйте відповідний з'єднувач.** Використання подовжувача, призначеного для роботи на відкритому повітрі, знижує ризик ураження електричним струмом.
  - f. **Якщо роботи за допомогою електричного інструменту всередині вологого приміщення повинні бути виконані обов'язково, в такому випадку необхідно використовувати пристрій захисного відключення (ПЗВ) електричної мережі.** Використання ПЗВ знижує ризик ураження електричним струмом.
- ### 3. Безпека персоналу
- a. **При роботі з електричним інструментом необхідно бути обачним, бачити виконувану роботу та керуватися здоровим глуздом.** Забороняється працювати з електричним інструментом у стані втоми та під впливом наркотиків, алкоголю і лікарських препаратів. Ослаблення уваги навіть на мить може призвести до серйозної травми.
  - b. **Використовуйте засоби індивідуального захисту. Завжди надягайте засоби захисту очей.** Використовувані у відповідних умовах засоби індивідуального захисту, такі як пилезахисна маска, не ковзаюче захисне взуття, захисна каска або засоби захисту органів слуху завжди знижують ризик травмування.

- c. **Не допускайте ненавмисного вмикання інструменту.** Перед тим, як підключити джерело живлення або акумулятор, піднімаючи або несучи інструмент, перевірте, щоб його вимикач знаходився у вимкненому положенні. Перенесення інструменту пальцем, розташованому на його вимикачі, або увімкненого інструменту підвищує ризик нещасного випадку.
- d. **Перед включенням інструменту завжди знімайте з нього регульовальний та гайковий ключ.** Залишений ключ на деталі інструменту, що обертається, може призвести до травмування.
- e. **Не прикладайте до інструменту надмірне зусилля під час роботи.** Завжди міцно тримайтеся на ногах та зберігайте рівновагу під час роботи. Це дозволяє краще контролювати електричний інструмент в непередбачених ситуаціях.
- f. **Одягайте відповідний одяг.** Забороняється одягати вільний одяг та прикраси. Волосся, одяг та рукавиці повинні знаходитися на відстані від рухомих деталей інструменту. Вільний одяг, прикраси або довге волосся можуть бути захоплені рухомими деталями.
- g. **Якщо встановлені пристрої підключення засобів пиловловлювання та пилозбірників, необхідно перевіряти, щоб вони були підключені та використовувалися належним чином.** Використання засобів пиловловлювання знижує рівень ризику, пов'язаного з наявністю пилу в повітрі.
4. **Використання та догляд за електричним інструментом**
- a. **Не застосовуйте надмірне зусилля до електричного інструменту.** Використовуйте електричний інструмент, відповідний виконуваному завданню. При використанні належного інструменту ви виконаєте роботу краще, з меншим ризиком та зі швидкістю, на яку розрахований ваш інструмент.
- b. **Забороняється використовувати інструмент, якщо його вимикач не вмикається і не вимикається.** Будь-який електричний інструмент, роботою якого не можна керувати за допомогою його вимикача, являє собою небезпеку та підлягає обов'язковому ремонту.
- c. **Перед виконанням регулювання електричного інструменту, заміною його приладдя і постановкою на зберігання необхідно вийняти вилку його електричного шнура з розетки та/або дістати з нього акумулятор.** Така превентивна міра безпеки знижує ризик випадкового увімкнення інструменту.
- d. **Зберігайте електричний інструмент, який в даний момент не використовується, в недоступному для дітей місці та не дозволяйте працювати з інструментом особам, які не знайомі з ним або з цими вказівками.** Електричний інструмент є небезпечним в руках ненавченої людини.
- e. **Підтримуйте інструмент в робочому стані.** Перевіряйте центровку та з'єднання рухомих деталей, наявність пошкоджених деталей та будь-які фактори, які можуть негативно позначитися на роботі електричного інструменту. У разі виявлення пошкодження електричний інструмент необхідно відремонтувати. Багато нещасних випадків відбувається внаслідок того, що інструмент знаходиться в неналежному стані.
- f. **Ріжучі інструменти повинні бути гостро заточеними і чистими.** Підтримуваний в належному робочому стані ріжучий інструмент з гострими ріжучими крайками менше застряє та легше управляється.
- g. **Використовуйте електричний інструмент, приладдя, вставні різці та ін. відповідно до даних вказівок, враховуючи умови експлуатації та роботу, яка повинна бути виконана.** Використання електричного інструменту з метою, відмінною від передбаченого призначення, може призвести до небезпечної ситуації.
5. **Обслуговування**
- a. **Обслуговувати електричний інструмент повинен тільки кваліфікований ремонтний персонал, і при цьому повинні використовуватися тільки оригінальні запасні деталі.** Завдяки цьому буде підтримуватися безпечний робочий стан електричного інструменту.

### Додаткові вказівки щодо безпечної роботи з електричним інструментом



**Увага!** Додаткові вказівки щодо безпечної роботи з шліфувальним інструментом



**Увага!** Контакт з пилом або вдихання того пилу, що виникає внаслідок шліфувальної обробки, може становити небезпеку для здоров'я шліфувальника і тих, хто перебуває поруч. Одягайте пилозахисну маску, яка спеціально розроблена для захисту від пилу й отруйних газів і гарантує захист всіх осіб, які знаходяться на робочій ділянці або заходять на неї.

- **Під час виконання робіт, коли ріжуча деталь електричного інструменту може стикатися з прихованою електропроводкою, інструмент необхідно тримати за діелектричну поверхню.** При контакті приладдя з проводом, що під напругою, під напругу можуть потрапити металеві деталі електричного інструменту, внаслідок чого виникає небезпека ураження оператора електричним струмом.
- **Для фіксації положення оброблюваної деталі на стійкій основі використовуйте затискачі або інший зручний і практичний спосіб.** Якщо тримати деталь руками або притискати її до тіла, вона буде перебувати в незакріпленому положенні, що може призвести до втрати контролю за роботою інструменту.



**Увага!** Будьте особливо уважні при шліфуванні деяких видів дерев (наприклад, бука, дуба) і металів, при обробці яких виробляється токсичний пил. Одягайте пилозахисну маску, яка спеціально розроблена для захисту від токсичного пилу й отруйних газів і гарантує захист всіх осіб, які знаходяться на робочій ділянці або заходять на неї.



**Увага!** Шліфування чорних металів цим інструментом необхідно проводити в добре провітрюваному приміщенні. Забороняється робота цього інструменту поблизу легкозаймистих рідин, газів і пилу. Іскри або гарячі частинки, що розлітаються під час шліфування, а також іскріння щіток електродвигуна можуть призвести до займання горючих матеріалів.



**Увага!** Забороняється шліфувати магній! Існує небезпека його займання і вибуху.

- Ретельно видаліть весь пил після виконання шліфування.
- Призначення інструменту описане в цій інструкції з експлуатації. Використання будь-якого приладдя і додаткових пристосувань разом з цим інструментом або використання інструменту в цілях, які не рекомендовані в цій інструкції, може призвести до виникнення ризику травмування персоналу та пошкодження майна.

## Техніка безпеки при шліфування фарби

**Увага!** Виконуйте всі правила техніки безпеки при виконанні шліфування фарби. Придільте особливу увагу наступному:

- Для видалення пилу за можливості використовуйте пилосос.

- Будьте особливо уважні при шліфуванні поверхонь, покритих фарбою, яка, можливо, містить свинець, і які можуть бути джерелом отруйного пилу.
- Дітям і вагітним жінкам забороняється перебувати на робочій ділянці.
- Всі особи, що знаходяться на робочій ділянці, повинні вдягати маску, спеціально розроблену для захисту від пилу і парів фарби, що містить свинець.
- Приймати їжу, пити і курити на робочій ділянці заборонено.
- Утилізуйте безпечним чином всі частинки пилу та інші відходи.

## Безпека інших осіб

- Цей інструмент не призначений для використання особами (включаючи дітей) з обмеженими фізичними, сенсорними або розумовими здібностями або особами, у яких відсутній необхідний досвід і знання, крім випадків, коли вони знаходяться під наглядом і отримали належні інструкції по роботі з інструментом від особи, відповідальної за їхню безпеку.
- Щоб діти не гралися з інструментом, вони повинні знаходитися під наглядом.

## Залишковий ризик

Додатковий залишковий ризик може виникнути у випадках використання інструменту, які можуть бути не враховані в перерахованих вказівках щодо безпечної роботи. Такий ризик може виникати при неправильному використанні, тривалому використанні і т.п. Навіть при дотриманні всіх відповідних правил техніки безпеки і використанні захисних пристроїв деякий залишковий ризик все ж залишається. Він включає:

- Травми, отримані при торканні обертових і рухомих деталей.
- Травми, отримані при заміні деталей, ножів та приладдя.
- Травми, отримані внаслідок тривалого використання інструменту. При тривалому використанні інструменту необхідно робити регулярні перерви в роботі.
- Погіршення слуху.
- Шкода для здоров'я, викликана вдиханням пилу, яка з'являється під час роботи інструменту (наприклад, при роботі з деревом, особливо з дубом, буком або ДВП).

## Вібрація

Рівні вібрації, зазначені в технічних даних та декларації відповідності, були виміряні у відповідності зі стандартним методом випробувань, викладеним в EN 60745, і можуть використовуватися для порівняння інструментів. Заявлений рівень вібрації може також використовуватися для попередньої оцінки їх впливу.

**Увага!** Рівень вібрації під час роботи електричного інструменту може відрізнятись від заявленого рівня вібрації, оскільки він залежить від конкретно виконуваної інструментом роботи. Рівень вібрації може бути нижче встановленого рівня.

При оцінці впливу вібрації для визначення заходів безпеки, необхідних 2002/44/ЕС для захисту осіб, які постійно працюють з електричними інструментами, необхідно враховувати реальні умови використання та спосіб використання інструменту, включаючи всі деталі робочого циклу, такі як час автоматичного вимкнення та час холостого ходу додатково до часу запуску.

## Наклейки на інструменті

До поверхні інструменту прикріплені наступні графічні зображення:



**Увага!** Забороняється шліфувати магній! Існує небезпека його займання і вибуху.

## Електрична безпека



Цей інструмент має подвійну ізоляцію, тож дріт заземлення йому не потрібен. Завжди перевіряйте, щоб мережева напруга відповідала значенню, зазначеному в таблиці з паспортними даними.

- У разі пошкодження кабелю живлення, щоб уникнути виникнення небезпечних ситуацій, його заміну повинен виконати виробник обладнання або уповноважений сервісний центр BLACK+DECKER.

## Використання подовжувача

Завжди використовуйте тільки затверджений до застосування подовжувач, який відповідає вхідний (споживаної) потужності цього інструменту (дивіться технічні дані). Перевірте подовжувач перед використанням на наявність пошкоджень, зносу і ознак старіння. У разі виявлення пошкоджень або дефектів замініть подовжувач. У разі використання кабельної котушки завжди розмотуйте подовжувач до кінця. При використанні подовжувача, який не відповідає вхідної потужності інструменту, або пошкодженого або дефектного подовжувача, виникає небезпека виникнення пожежі та ураження електричним струмом.


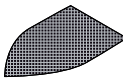
## Функції

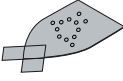
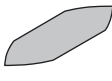
Цей інструмент може володіти всіма або деякими з перерахованих нижче функцій.

1. Вимикач
2. Контейнер для збору пилу
3. Шліфувальна основа
4. Пальчикові кріплення

## Приладдя

Приладдя, що поставляється разом зі шліфувальним інструментом, залежить від придбаної вами моделі. Все перераховане нижче приладдя є доступним в нашій лінійці виробів Piranha®. Якщо вам необхідне вказане нижче приладдя, яке не поставляється разом із шліфувальним інструментом, зайдіть на наш сайт [www.blackanddecker.eu](http://www.blackanddecker.eu). Ефективність роботи вашого інструменту залежить від використовуваного приладдя. Приладдя BLACK+DECKER та Piranha розроблені у відповідності з високими стандартами якості, і їх конструкція покращує робочі характеристики вашого інструменту. При використанні цього приладдя ви отримуєте від вашого інструменту максимальну користь.

Приладдя	Опис
	<b>Пальчикова деталь</b> Для невеликих важкодоступних ділянок Пальчикова деталь може використовуватися для легкого шліфування і для шліфування в кутах. (№ за каталогом — X32214-XJ)
	<b>Шліфувальна сітка із зернистістю 240.</b> Для тонкої обробки великих деталей. (№ за каталогом — X39132-XJ) <b>Шліфувальна сітка із зернистістю 120.</b> Для середньої обробки великих деталей. (№ за каталогом — X39127-XJ) <b>Шліфувальна сітка із зернистістю 80.</b> Для грубої обробки великих деталей. (№ за каталогом — X39122-XJ)

	<p>Наждаковий лист із зернистістю 240 з двома змінними наконечниками для шліфування великих деталей.</p> <p>Для тонкої обробки великих деталей. (№ за каталогом — Х31019-ХJ)</p> <p>Наждаковий лист із зернистістю 120 з двома змінними наконечниками для шліфування великих деталей.</p> <p>Для середньої обробки великих деталей. (№ за каталогом — Х31009-ХJ)</p> <p>Наждаковий лист із зернистістю 60 з двома змінними наконечниками для шліфування великих деталей.</p> <p>Для грубої обробки великих деталей. (№ за каталогом — Х31039-ХJ)</p>
	<p>Наждаковий лист із зернистістю 120 для шліфування дрібних деталей.</p> <p>Для середньої обробки дрібних деталей. (№ за каталогом — Х3277-ХJ)</p>

## Збірка

**Увага!** Перед виконанням збірки перевірте, щоб інструмент був вимкнений, а вилка шнура була виїнята з розетки.

## Установка шліфувальної сітки (рис. А)

- Встановіть інструмент основою для шліфування дотори
- Розмістіть шліфувальну сітку (5) на основі для шліфування і переконайтесь, що отвори в аркуші знаходяться навпроти отворів в основі.

## Установка наждакових листів (рис. В — додатково)

- Зніміть два додаткових ромбоподібних наконечника (7) зі шліфувального аркуша (6).

Зношений ромбоподібний наконечник (7) можна перевернути іншою стороною або замінити.

- Якщо передня частина наконечника зносилася, від'єднайте наконечник від аркуша, переверніть його іншою стороною і притисніть його із зусиллям на основу для шліфування.
- Якщо наконечник зносився повністю, зніміть його з основи для шліфування і встановіть новий наконечник.

Для найкращого видалення пилу завжди використовуйте наждакові аркуші належного типу.

## Пальчикові кріплення (рис. С)

Пальчикові кріплення використовуються для шліфування дрібних деталей.

- Зніміть гвинт (9).
- Зніміть ромбоподібний наконечник (8) з основи для шліфування.
- Встановіть пальчикові кріплення (4) на основу для шліфування.
- Вставте назад гвинт і закрутіть його до упору.
- Встановіть на пальчикові кріплення відповідний наждачний аркуш.

## Установка і зняття касети для пилу (рис. D)

- Вставте касету для пилу (2) в інструмент і переконайтесь, що вона надійно зафіксована на місці.
- Щоб зняти касету для пилу, висуньте її назад і дістаньте з інструменту.

## Робота інструмента

**Увага!** Дайте можливість інструменту працювати з природною швидкістю. Не перевантажуйте його.

## Вмикання та вимикання

- Для увімкнення інструмента перемістіть вимикач (1) вперед в положення I.
- Для вимкнення інструмента перемістіть вимикач (1) назад в положення O.

## Спорожнення касети для пилу (рис. D, E і F)

Касету для пилу необхідно спорожнити через кожні 10 хвилин роботи.

- Притримуючи інструмент, дістаньте з нього касету для пилу (2).
- Зніміть кришку (10) з касети.
- Струсіть кришку (10) і касету для пилу (2), щоб їх спорожнити, а фільтр (11) всередині кришки (10) можна очистити м'якою щіточкою.
- Встановіть назад кришку (10) на касету для пилу (2).
- Встановіть касету (2) в інструмент.

**Технічне обслуговування**

Конструкція вашого інструменту розрахована на роботу протягом тривалого періоду часу при мінімальному технічному обслуговуванні. Тривала задовільна робота інструменту забезпечується належним доглядом та регулярним очищенням.

**Увага!** Перед виконанням будь-якої операції техобслуговування вимкніть інструмент та вимкніть його шнур з мережевої розетки.

- Регулярно очищуйте вентиляційні прорізи в інструменті і зарядному пристрої за допомогою м'якої щітки або сухої тканини.
- Регулярно очищуйте корпус двигуна за допомогою вологої тканини. Не використовуйте для очищення абразивні матеріали та чистячі засоби на основі неводних розчинників.

**Технічні дані**

		KA2000 (Тип 1)	KA2500 (Тип 1)
Вхідна напруга	В <sub>зм. ст.</sub>	220-240	220-240
Споживана потужність	Вт	120	120
Коливання (без навантаження)	хв <sup>-1</sup>	28 000	28 000
Траєкторії (без навантаження)	хв <sup>-1</sup>	14 000	14 000
Поверхня шліфувальної підставки	мм <sup>2</sup>	8161	8161
Вага	кг	1	1

$L_{pA}$  (звуковий тиск) 73 дБ (А), розкид (К) 3 дБ (А)

$L_{WA}$  (звукова потужність) 84 дБ (А), розкид (К) 3 дБ (А)

Сумарні рівні вібрації (сума векторів по тим осях) згідно EN 60745:

Значення вібрації ( $a_h$ ) 7,0 м/с<sup>2</sup>, розкид (К) 1,5 м/с<sup>2</sup>

**Декларація відповідності ЄС**  
ДИРЕКТИВА З МАШИННОГО ОБЛАДНАННЯ

KA2000 / KA2500

BLACK+DECKER заявляє, що вироби, описані в «технічних даних», відповідають: 2006/42/EC, EN 60745-1, EN 60745-2-4

Ці продукти також відповідають Директивам 2014/30/EC та 2011/65/EU. Для отримання більш детальної інформації, будь ласка, зв'яжіться з компанією BLACK+DECKER за адресою, яка вказана нижче або на зворотній стороні інструкції.

Нижчепідписаний є відповідальним за складання файлу з технічними даними та підписує цю декларацію від імені BLACK+DECKER.

**R. Laverick**  
Головний інженер  
BLACK+DECKER Europe, 210 Bath Road,  
Slough,  
Berkshire, SL1 3YD  
United Kingdom  
10,2015

## Захист навколишнього середовища



Роздільний збір відходів. Забороняється утилізувати цей продукт разом зі звичайними побутовими відходами.

Якщо ви вирішите, що ваш виріб BLACK+DECKER необхідно замінити, або якщо ви не будете його більше використовувати, не утилізуйте його разом з побутовими відходами. Цей продукт підлягає роздільному збору відходів.



Роздільний збір використаних продуктів та пакувальних матеріалів дозволяє здійснювати їх вторинну переробку з подальшим повторним використанням. Повторне використання матеріалів, що пройшли вторинну переробку, знижує забруднення навколишнього середовища та зменшує потребу в сировинних матеріалах.

Нормативні акти місцевих органів влади можуть передбачати збір використаних електричних виробів окремо від побутових відходів, в муніципальних пунктах збору відходів або в магазині при покупці нового обладнання.

BLACK+DECKER представляє можливість для збору та повторної переробки продуктів BLACK+DECKER після закінчення терміну їх служби. Щоб скористатися перевагою цього сервісу, будь ласка, надішліть ваш продукт будь-якому уповноваженому представнику з ремонту, який збирає такі вироби від нашого імені.

Ви можете дізнатися адресу вашого найближчого уповноваженого представника з ремонту, зателефонувавши в регіональне представництво BLACK+DECKER, вказане в цій інструкції. Крім того, список уповноважених представників з ремонту BLACK+DECKER, детальну інформацію про обслуговування після продажу та контактні дані можна знайти на сайті [www.2helpU.com](http://www.2helpU.com).

## Гарантійні зобов'язання

Black + Decker впевнена в якості своїх виробів та надає виняткову гарантію. Дана заява про гарантії доповнює і ні в якій мірі не порушує ваші законні права.

Якщо продукт виробництва Black + Decker прийде в непридатність внаслідок неякісних матеріалів, неякісного виготовлення або невідповідності вимогам, BLACK+DECKER гарантує в межах 24-х місяців з дати продажу виконувати заміну дефектних деталей, виконувати ремонт виробів, які зазнали природного зносу, або виконувати заміну таких виробів, для зведення до мінімуму незручностей для покупця, за винятком перерахованих нижче випадків:

- Даний продукт був використаний для продажу, на промислових роботах або здавався на прокат.
- Даний продукт використовувався неправильно або без належного догляду.
- Даному продукту було завдано збитків сторонніми предметами, речовинами або внаслідок надзвичайної події.
- Була здійснена спроба ремонту продукту особами, які не є уповноваженими представниками з ремонту або ремонтно-обслуговуючим персоналом Black + Decker.

Щоб заявити претензію по гарантії, необхідно буде надати підтвердження покупки продавцю або уповноваженому представнику з ремонту. Ви можете дізнатися адресу вашого найближчого уповноваженого представника з ремонту, зателефонувавши в регіональне представництво BLACK+DECKER, вказане в цій інструкції. Крім того, список уповноважених представників з ремонту BLACK+DECKER, детальну інформацію про обслуговування після продажу та контактні дані можна знайти на сайті [www.2helpU.com](http://www.2helpU.com).





Гарантійні умови

Шановний покупець!

1. Вітаємо Вас з покупкою високоякісного виробу BLACK + DECKER і висловлюємо вдячність за Ваш вибір.
2. При покупці виробу вимагайте перевірки його комплектності і справності у Вашій присутності, інструкцію за експлуатації та заповнений гарантійний талон українською мовою  
В гарантійному талоні повинні бути внесені: модель, дата продажу, серійний номер, дата виробництва інструменту; назва, печатка і підпис торгової організації. За відсутності у Вас правильно заповненого гарантійного талону, а також при невідповідності зазначених у ньому даних ми будемо змушені відхилити Ваші претензії щодо якості даного виробу.
3. Щоб уникнути непорозумінь, переконливо просимо Вас перед початком роботи з виробом уважно ознайомитися з інструкцією за його експлуатації. Правовою основою справжніх гарантійних умов є чинне Законодавство. Гарантійний термін на даний виріб складає 24 місяці і обчислюється з дня продажу. У разі усунення недоліків виробу, гарантійний строк продовжується на період його перебування в ремонті. Термін служби виробу становить 5 років з дня продажу.
4. У разі виникнення будь-яких проблем у процесі експлуатації виробу рекомендуємо Вам звертатися тільки в уповноважені сервісні центри BLACK + DECKER, адреси та телефони яких Ви зможете знайти в гарантійному талоні, на сайті [www.2helpU.com](http://www.2helpU.com) або дізнатися в магазині. Наші сервісні станції - це не тільки кваліфікований ремонт, але і широкий асортимент запчастин і аксесуарів.
5. Виробник рекомендує проводити періодичну перевірку і технічне обслуговування виробу в уповноважених сервісних центрах.
6. Наші гарантійні зобов'язання поширюються тільки на несправності, виявлені протягом гарантійного терміну і викликані дефектами виробництва та \ або матеріалів.
7. Гарантійні умови не поширюються на несправності виробу, що виникли в результаті:
  - 7.1 Недотримання користувачем вписів інструкції за експлуатації виробу, застосування виробу не за призначенням, неправильного зберігання, використання приладдя, витратних матеріалів і запчастин, що не передбачені виробником.

- 7.2 Механічного пошкодження (відколи, тріщини і руйнування) внутрішніх і зовнішніх деталей виробу, основних і допоміжних рукояток, мережевого кабелю, що викликані зовнішнім ударним або будь-яким іншим впливом
- 7.3 Потрапляння у вентиляційні отвори та проникнення всередину виробу сторонніх предметів, матеріалів або речовин, що не є відходами, які супроводжують застосування виробу за призначенням, такими як: стружка, тирса, пісок, та ін.
- 7.4 Впливу на виріб несприятливих атмосферних і інших зовнішніх факторів, таких як дощ, сніг, підвищена вологість, нагрівання, агресивна середовища, невідповідність параметрів електромережі, що зазначені на інструменті.
- 7.5 Стихійного лиха. Пошкодження або втрати виробу, що пов'язані з непередбаченими лихами, стихійними явищами, у тому числі внаслідок дії непереборної сили (пожежа, блискавка, потоп і інші природні явища), а також внаслідок перепадів напруги в електромережі та іншими причинами, які знаходяться поза контролем виробника.
8. Гарантійні умови не поширюються:
  - 8.1. На інструменти, що піддавались розкриттю, ремонту або модифікації поза уповноваженим сервісним центром.
  - 8.2. На деталі, вузли та матеріали, що мають сліди природного зносу, такі як: приводні реміні і колеса, вугільні щітки, мастило, підшипники, зубчасті зчеплення редукторів, гумові ущільнення, сальники, направляючі ролики, муфти, вимикачі, бойки, штовхачі, стволы тощо
  - 8.3. На змінні частини: патрони, цанги, затискні гайки і фланці, фільтри, акумуляторні батареї, ножі, шліфувальні підшови, ланцюги, зірочки, пильні шини, захисні кожухи, пилки, абразиви, пильні і абразивні диски, фрези, свердла, бури тощо
  - 8.4. На несправності, що виникли в результаті перевантаження інструменту (як механічного, так і електричного), що спричинили вихід з ладу одночасно двох і більше деталей і вузлів, таких як: ротора і статора, обох обмоток статора, веденої і ведучої шестерень редуктора або інших вузлів і деталей. До безумовних ознак перевантаження виробу відносяться, крім інших: поява кольорів мінливості, деформація або оплавлення деталей і вузлів виробу, потемніння або обвуглювання ізоляції проводів електродвигуна під впливом високої температури.



Виробник:  
"Stanley BLACK+DECKER Deutschland GmbH" Black-&-Decker Str.40, D-65510 Idstein, Німеччина

## الضمان

تتق بلاك أند ديكر بجودة منتجاتها وتقدم ضماناً مميزاً. ويكون بيان الضمان هذا بالإضافة ولا يخل بأي حال من الأحوال بالحقوق القانونية.

إذا أصبح منتج بلاك أند ديكر معيباً بسبب عيوب المواد والصناعة وعدم المطابقة، تضمن بلاك أند ديكر في غضون ٢٤ شهراً من تاريخ الشراء استبدال الأجزاء المعيبة وإصلاح المنتجات مع مراعاة البلي بالاستخدام العادي أو استبدال هذه المنتجات للتأكد من رضا العملاء ما لم:

- تم استخدام المنتج لأغراض تجارية أو مهنية أو للتأجير.
- إهمال أو إساءة استخدام المنتج.
- تعرض المنتج لتلف بسبب مواد أو أغراض غريبة أو الحوادث.
- محاولة إجراء عمليات الإصلاح من قبل الأشخاص الآخرين بخلاف وكلاء الإصلاح المصرح بهم أو فريق الخدمة التابع لبلاك أند ديكر.

للمطالبة بالضمان، يجب تقديم إثبات الشراء للبائع أو وكيل البيع المعتمد. ويمكنك معرفة مكان أقرب وكيل إصلاح معتمد بمراجعة مكتب بلاك أند ديكر المحلي في العنوان المشار إليه في الدليل. كما تتوفر قائمة بوكلاء الإصلاح المعتمدين لدى بلاك أند ديكر وبيانات خدمات ما بعد البيع والاتصال على الموقع الإلكتروني: [www.2helpU.com](http://www.2helpU.com).

## حماية البيئة

تجميع منفصل. يجب عدم إلقاء هذا المنتج مع  
المخلفات المنزلية.



إذا تبين لك في أحد الأيام بأنه يجب تبديل جهاز بلاك أند ديكر  
الخاص بك أو لم تعد بحاجة لاستخدامه. لا تتخلص منه مع  
المخلفات المنزلية. وقم بتوفير هذا المنتج للتجميع المنفصل.

يمكن التجميع المنفصل للمنتجات والعبوات  
المستخدمة من إعادة تدوير المواد واستخدامها مرة  
أخرى، إذ يساعد إعادة استخدام المواد المعاد تدويرها على منع  
التلوث البيئي وخفض الطلب على المواد الخام



قد تنص التشريعات المحلية على تجميع منفصل للمنتجات  
الكهربائية عن المخلفات المنزلية في مواقع مخلفات البلدية أو  
تاجر التجزئة عند شراء منتج جديد.

توفر بلاك أند ديكر منشأة لتجميع وإعادة تدوير منتجات بلاك  
أند ديكر عند وصول تلك المنتجات لنهاية عمرها النافع.  
وللاستفادة من هذه الخدمة، يرجى إعادة المنتج إلى أي وكيل  
إصلاح معتمد الذي سيقوم بتجميع المنتجات نيابة عنا.

يمكنك معرفة مكان أقرب وكيل إصلاح معتمد بمراجعة مكتب  
بلاك أند ديكر المحلي في العنوان المشار إليه في الدليل. كما  
تتوفر قائمة بوكلاء الإصلاح المعتمدين لدى بلاك أند ديكر  
وبيانات خدمات ما بعد البيع والاتصال على الموقع الإلكتروني:  
[www.2helpU.com](http://www.2helpU.com)

## بيان التوافق مع المجموعة الأوروبية

مواصفة الماكينات



KA2000 / KA2500

شركة **BLACK+DECKER** تقر فيما يلي على أن هذه المنتجات  
الموضحة أسفل بند "البيانات الفنية" متوافقة مع المواصفات:  
EN 60745 و EN 60745 و EN 60745-2-2

تتوافق هذه المنتجات أيضًا مع المواصفة EU/30/2014 و  
EU/75/2011 للحصول على مزيد من المعلومات فيرجى الاتصال  
بشركة **BLACK+DECKER** على العنوان التالي أو الرجوع إلى  
ظهر الدليل.

الموقع أدناه مسئول عن الإيفاء بإتمام الملف الفني وإخراج هذا الإقرار  
بالنيابة عن شركة **BLACK+DECKER**.

أر. لافريك

رئيس قسم الهندسة

بلاك + ديكر يورب، ٢١٠ باث روود،

بلدة سلاو، مقاطعة باركشير، إس إل ٣١ واي دي

المملكة المتحدة

10.2015

- قم بتنظيف منافذ التهوية بانتظام في أدواتك باستخدام فرشاة ناعمة أو قطعة قماش جافة.
- نظف علبة المحرك بانتظام بقطعة قماش مبللة. لا تستخدم المنظفات الكاشطة أو المذيبة.

### البيانات الفنية

KA2500 (النوع ١)	KA2000 (النوع ١)		
٢٤٠-٢٢٠	٢٤٠-٢٢٠	الغولت) تردد	فلطية الدخل
١٢٠	١٢٠	وات	دخل الطاقة
٢٨.٠٠٠	٢٨.٠٠٠	١- في الدقيقة	تذبذبات (بدون أحمال)
١٤.٠٠٠	١٤.٠٠٠	١- في الدقيقة	مدارات (بدون أحمال)
٨١٦١	٨١٦١	٢ ملم	سطح قاعدة الصنفرة
	١١	كيلو غرام	الوزن

- $L_{pA}$  (ضغط الصوت) ٧٣ ديسيبل (أ)، عدم اليقين (طاقة حركية) ٣ ديسيبل (أ)
- $L_{WA}$  (قدرة الصوت) ٨٤ ديسيبل (أ)، عدم اليقين (طاقة حركية) ٣ ديسيبل (أ)

إجمالي قيم الاهتزاز وفقاً للمواصفة EN ٦٠٧٤٥:

- قيمة انبعاث الاهتزاز (أ/س) ٧,٠ متر/ثانية<sup>٢</sup>،  
عدم اليقين (طاقة حركية) ١,٥ متر/ثانية<sup>٢</sup>

- وقم بإزالة البرغي (٩).

- وقم بإزالة الطرف ماسي الشكل (٨) من قاعدة الصنفرة.

- وقم بتركيب ملحق الإصبع (٤) على قاعدة الصنفرة.

- قم بتركيب وربط البرغي.

- قم بتركيب لوح الصنفرة المناسب على ملحق الإصبع.

### تركيب حاوية الغبار وخلعها (الشكل D)

- حرك حاوية الغبار (٢) على الأداة وتأكد من أنه يقع بشكل آمن.

- لإزالة حاوية الغبار، اسحبها إلى الخلف وأوقف الأداة.

### الاستخدام

- تحذيراً! اترك الأداة تعمل بسرعتها. لا تفرط في التحميل عليها.

### التشغيل والإطفاء

- لتشغيل الأداة، حرك مفتاح التشغيل (١) إلى الوضع الأمامي تشغيل (I).

- لإيقاف الأداة، حرك مفتاح التشغيل (١) إلى الوضع الخلفي إيقاف (O).

### تفريغ حاوية الغبار (الأشكال D و E و F)

- يجب تفريغ حاوية الغبار كل ١٠ دقائق من الاستخدام.

- اسحب حاوية الغبار (٢) من الأداة، بينما تمسك بها.

- وقم بإزالة غطاء الحافظة (١٠).

- هن الغطاء (١٠) وحاوية الغبار (٢) لتفريغ المحتويات والمصفاة

(١١) داخل الغطاء (١٠) يمكن تنظيفه بفرشاة جافة وناعمة.

- أعد تركيب الغطاء (١٠) إلى حاوية الغبار (٢).

- أعد تركيب حاوية الغبار (٢).

### الصيانة

تم تصميم هذه الأداة لكي تعمر لفترة طويلة بأقل قدر من الحاجة للصيانة. ويعتمد استمرار الجهاز في أداء عمله على النحو المرضي على العناية المناسبة والتنظيف المنتظم.

تحذيراً! قبل إجراء أية أعمال صيانة، قم بإيقاف الأداة وفصلها عن الكهرباء.

## الخواص

تشتمل هذه الأداة على بعض أو جميع الأجزاء التالية.

١. مفتاح التشغيل/الإيقاف

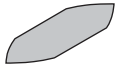
٢. أسطوانة جمع الغبار

٣. قاعدة الصنفرة

٤. ملحق الإصبع

## الكماليات

تعتمد الملحقات المرفقة مع ماكينة الصنفرة على النموذج الذي اشتريته. جميع الملحقات المذكورة أدناه متاحة في إطار **Piranha**.\* إذا كنت تحتاج إلى ملحق مسرود أدناه ولكن لم يتم توفيره مع الصنفرة يرجى زيارة موقعنا على [www.blackanddecker.eu](http://www.blackanddecker.eu). تعتمد كفاءة أداء هذه الأداة على الكماليات المستخدمة. ولقد تم تصميم الكماليات **Piranha** و **BLACK+DECKER** لتلبي بمواصفات الجودة الفائقة، ولتحسين كفاءة أداة هذه الأداة. ويمكنك الحصول على أفضل النتائج من خلال استخدام هذه الكماليات.

٢٤٠ لوح صنفرة رملية للتفاصيل الكبيرة مع طرفين للاستبدال. لتشطيب جيد لصنفرة تفاصيل كبيرة. (رقم الجزء - XJ-X31019)	
١٢٠ لوح صنفرة رملية للتفاصيل الكبيرة مع طرفين للاستبدال. لتشطيب متوسط لصنفرة تفاصيل كبيرة. (رقم الجزء - XJ-X31009)	
٦٠ لوح صنفرة رملية للتفاصيل الكبيرة مع طرفين للاستبدال. لتشطيب خشن لصنفرة تفاصيل كبيرة. (رقم الجزء - XJ-X31039)	
١٢٠ لوح صنفرة رملية للإصبع المفصل. لتشطيب متوسط لصنفرة مفصلة. (رقم الجزء - XJ-X3277)	

## التجميع

تحذيراً: قبل التجميع تحقق من أن الجهاز مطفأ ومفصول.

## تركيب شبكة الصنفرة (الشكل A)

- امسك الأداة مع توجيه قاعدة الصنفرة للأعلى.
- ضع شبكة الصنفرة (٥) على قاعدة الصنفرة مع الحرص على محاذاة واصطفاف الثقوب الموجودة في اللوح أمام الثقوب الموجودة في القاعدة.


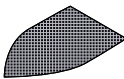
## تركيب ألواح الصنفرة (الشكل B - ملحق اختياري)

- أفضل الطرفين الإضافيين ماسي الشكل (٧) من لوح الصنفرة (٦).
- يمكن عكس الطرف ماسي الشكل (٧) واستبداله عندما يتلف.
- عندما يتلف الجزء الأمامي من الطرف، أفصله من اللوح، واعكسه واضغطه على قاعدة الصنفرة مرة أخرى.
- عندما يتلف الطرف بالكامل، قم بإزالته من قاعدة الصنفرة وقم بتركيب طرف جديد.

لجمع أمثال للغبار، تأكد من استخدام النوع الصحيح من ورق الصنفرة.

## ملحق الإصبع (الشكل C)

يستخدم ملحق الإصبع لصنفرة مفصلة جيدة.

الوصف	لعنصر
	إصبع التفصيل. للمساحات الضيقة التي يصعب الوصول إليها. يمكن استخدام إصبع التفاصيل للصنفرة الخفيفة وصنفرة الزوايا. (رقم الجزء - XJ-X32214)
	٢٤٠ شبكة صنفرة رملية. لتشطيب جيد لصنفرة تفاصيل كبيرة. (رقم الجزء - XJ-X39132) ١٢٠ شبكة صنفرة رملية. لتشطيب متوسط لصنفرة تفاصيل كبيرة. (رقم الجزء - XJ-X39127) ٨٠ شبكة صنفرة رملية. لتشطيب خشن لصنفرة تفاصيل كبيرة. (رقم الجزء - XJ-X39122)

خشبية، ولا سيما البلوط والزان وقطاعات (MDF).

### الاهتزاز

قيم انبعاث الاهتزازات المعلنة والمثبتة في المواصفات الفنية وإعلان التوافق تم قياسها بما يتوافق مع طرق الاختبار المعيارية وفقاً لمواصفة EN 60745، ويمكن أن يتم استخدامها لمقارنة أداة بأخرى. قيم انبعاث الاهتزازات المعلنة يمكن أن يتم استغلالها أيضاً في التقييم الأولي للتعرض للاهتزاز.

تحذيراً! قيمة انبعاثات الاهتزازات الصادرة أثناء الاستخدام الفعلي لأداة الطاقة الكهربائية يمكن أن تتباين عن القيمة الموضحة اعتماداً على طرق استخدام الأداة. مستوى الاهتزاز يمكن أن يزيد إلى أعلى من المستوى المثبت.

عند القيام بتقييم التعرض للاهتزاز لتحديد إجراءات السلامة الضرورية وفقاً للمواصفة EC/44/2002 الرامية لحماية الأفراد بانتظام باستخدام أدوات الطاقة الكهربائية في العمل، فيتمتعين أن يتم تقدير التعرض للاهتزاز مع الوضع في الحسبان الظروف الفعلية للاستخدام وطريقة استعمال الأداة، ومراعاة كل أجزاء دورة التشغيل، مثل مواقيت إطفاء الأداة وتشغيلها على الوضع المحايد بالإضافة إلى زمن التفعيل.

### الملصقات الموجودة على الأداة

الصور المصغرة التالية موجودة على الأداة:

تحذيراً! لا تصنفر المغنيسيوم! هناك خطر لحدوث حريق أو انفجار.



### السلامة من مخاطر الكهرباء

هذا الجهاز معزول عزلاً مزدوجاً، وبالتالي لا حاجة إلى توصيل سلك أرضي. تحقق دائماً من أن فولت مصدر الكهرباء مماثل للفولت المطلوب المبين على الجهاز.



• في حالة تلف سلك توصيل الكهرباء، يجب استبداله من قبل جهة التصنيع أو أي مركز خدمة معتمد من BLACK+DECKER لتجنب المخاطر.

### استخدام كابلات امتداد

احرص دائماً على استخدام كابلات امتداد معتمد ومناسب لدخل طاقة هذه الأداة (انظر البيانات الفنية). قبل الاستخدام، افحص كابلات الامتداد للتحقق من وجود علامات التضرر أو البلى أو التقادم. استبدل الكابلات الامتداد إذا ما كان متضرراً أو تالفاً. عند استخدام بكرة كابلات فاحرص على فك ملفات الكابلات تماماً. قد تترتب مخاطر الحريق أو الصدمة الكهربائية على استخدام كابلات امتداد غير مناسبة لدخول طاقة هذه الأداة أو الذي قد يكون متضرراً أو تالفاً.

### السلامة عند صنفرة الطلاء

تحذيراً! لاحظ اللوائح المعمول بها لصنفرة الطلاء. أولي اهتماماً خاصاً لما يلي:

- كلما كان ذلك ممكناً، استخدم مستخرج الهواء لجمع الغبار.
- ابدل عناية خاصة عند صنفرة طبقات الطلاء التي يُحتمل أن تكون مصنوعة من الرصاص التي قد تُنتج غبار سام:
- لا تسمح للأطفال أو النساء الحوامل بالدخول إلى منطقة العمل.
- ينبغي لجميع الأشخاص الذين يدخلون إلى منطقة العمل ارتداء قناع مصمم خصيصاً للحماية من الغبار الناتج عن طلاء الرصاص والأبخرة.
- يُحظر عليك الأكل أو الشرب أو التدخين داخل منطقة العمل.
- تخلص بصورة آمنة من جزيئات الغبار وغيرها من إزالة جزيئات الحطام الأخرى.

### سلامة الآخرين

• هذا الجهاز غير مصمم ليستخدمه الأشخاص ذوو القدرات الجسدية والذهنية والحسية والعقلية المتدنية والخبرة والمعرفة القليلتين (بما في ذلك الأطفال) إلا في ظل الإشراف عليهم أو إعطائهم التعليمات المتعلقة باستخدام الجهاز من قبل الشخص المسؤول عن سلامتهم.

• يلزم الإشراف على الأطفال لضمان عدم عبثهم بالجهاز.

### المخاطر الأخرى

عند استخدام الأداة يمكن أن تظهر مخاطر أخرى إضافية قد لا تكون مدرجة في تحذيرات السلامة المذكورة. يمكن أن تظهر هذه المخاطر بسبب سوء الاستخدام أو الاستخدام لفترة طويلة وما إلى ذلك، حتى مع سريان تعليمات السلامة وتطبيق تجهيزات السلامة فهناك بعض المخاطر الأخرى التي لا يمكن تجنب وقوعها. وهي تشمل:

- إصابات تنشأ جراء ملامسة أية أجزاء دوارة/متحركة.
- إصابات تنشأ عند تغيير أية أجزاء أو شفرات أو كماليات.
- إصابات تنشأ جراء طول فترة استعمال الأداة. عند استعمال الأداة لفترات ممتدة فتتحقق من إيقافها بانتظام للاستراحة.
- تضرر السمع.
- المخاطر الصحية الناتجة عن استنشاق الغبار المتكون عند استخدام الأداة الخاصة بك (على سبيل المثال: العمل في قطع

الكهربائية الخاصة بك فقط باستخدام قطع الغيار المتطابقة. ومن شأن ذلك أن يضمن سلامة صيانة أداة الطاقة الكهربائية.

### تحذيرات إضافية متعلقة بسلامة أداة الطاقة الكهربائية

تحذير! تحذيرات السلامة الإضافية الخاصة بماكينات السنفرة



تحذير! قد يؤدي ملامسة أو استنشاق الغبار الناتج عن تطبيقات السنفرة إلى الإضرار بصحة المُشغِّل وربما يؤثر على المارة أيضًا. قم بارتداء قناع الحماية من الأتربة المُصمَّم خصيصًا للوقاية من الغبار والأبخرة، واحرص على تأمين وحماية الأشخاص المتواجدين بمنطقة العمل أو الداخلين إليها.



- احرص على حمل أداة الطاقة الكهربائية باستخدام أسطح الإمساك المعزول عند القيام بالتشغيل في الأماكن التي يمكن أن ينشأ فيه تلامس بين كماليات التقطع وبين الأسلاك المختفية. الملحقات المحتوية على سلك "حي" يمكن أن تعرض الأجزاء المعدنية لأداة الطاقة الكهربائية "الحية" ويمكن أن يعرض المشغل لصدمة كهربائية

- استخدم المشابك أو أية طرق عملية أخرى لغرض تأمين وتدعيم قطعة الشغل على منصة ثابتة. القيام بالعمل يدويًا أو في مقابل جسمك يجعل قطع الشغل غير مستقرة ويمكن أن يؤدي إلى فقدان التحكم.

تحذير! العناية الخاصة عند صنفرة بعض الأخشاب (مثل خشب الزان والبلوط) والمعادن التي قد تنتج غبارًا سام. قم بارتداء قناع الحماية من الأتربة المُصمَّم خصيصًا للوقاية من الغبار السام والأبخرة، واحرص على تأمين وحماية الأشخاص المتواجدين بمنطقة العمل أو الداخلين إليها.



تحذير! استخدم هذه الأداة في منطقة جيدة التهوية عند صنفرة المعادن الحديدية. لا تشغِّل الأداة بالقرب من السوائل أو الغازات أو الغبار القابل للاشتعال. قد يشعل الشرر أو الجزيئات الساخنة من الصنفرة أو شرارة فرش الدرجات المواد القابلة للاحتراق.



تحذير! لا تصنفر المغنيسيوم! هناك خطر لحدوث حريق أو انفجار.



- تخلص تمامًا من الغبار والشاردة عقب الانتهاء من الصنفرة.
- يحدد دليل التعليمات هذا الاستخدام المُصمَّم للجهاز له. استخدام أي قطع كمالية أو ملحق غير الموجودة مع الجهاز أو استخدام الجهاز في غرض غير المنصوص عليه في هذا الدليل قد يشكل خطراً أو يؤدي إلى حدوث إصابة و/أو أية أضرار.

ن عند توفير أجهزة متعلقة بتوصيل مرافق تنقية الغبار وتجميعه فتتحقق من أنها موصلة ومستخدمة بشكل سليم. استخدام خاصية تجميع الغبار يمكن أن يقلل من المخاطر المتعلقة بالغبار.

4 استخدام أداة الطاقة الكهربائية والعناية بها

أ لا تستخدم العنف مع أداة الطاقة الكهربائية. استخدم أداة الطاقة الكهربائية الصحيحة لتطبيقك. أداة الطاقة الكهربائية الصحيحة سوف تقوم بأداء العمل بشكل أفضل وأكثر أمانًا على المعدل الذي تم تصميمه لأجله.

ب لا تستخدم أداة الطاقة الكهربائية إذا لم يتم استخدام المفتاح لشغليها وإطافها. أية أداة طاقة كهربائية لا يمكن التحكم فيها باستخدام المفتاح تصبح خطرة ويجب أن يتم إصلاحها.

ج. افصل القابس عن مصدر الطاقة الكهربائية و/أو لعبة البطارية من أداة الطاقة الكهربائية قبل الشروع في إجراء أية تعديلات ضبط أو تغيير الكماليات أو تخزين أدوات الطاقة الكهربائية. من شأن اتخاذ إجراءات السلامة الوقائية هذه أن يقلل من خطر بدء تشغيل أداة الطاقة الكهربائية فجأة.

د. خزن أدوات الطاقة الكهربائية المتعلبة بعيدًا عن متناول يد الأطفال ولا تسمح للأفراد من غير ذوي الخبرة في التعامل مع أداة الطاقة الكهربائية أو ليسوا على علم بهذه التعليمات بتشغيل أداة الطاقة الكهربائية. أدوات الطاقة الكهربائية خطيرة في أيدي المستخدمين غير المتدربين.

هـ. احرص على صيانة أدوات الطاقة الكهربائية. افحص الجهاز أيضًا للتعرف على حالات عدم انتظام أو تجلد الأجزاء المتحركة أو الأجزاء المكسورة وأية حالة يمكن أن تؤثر على تشغيل أدوات الطاقة الكهربائية. إذا ما تحققت من وجود ضرر فاحرص على إصلاح أداة الطاقة الكهربائية قبل استخدامها. تقع العديد من الحوادث جراء عدم صيانة أدوات الطاقة الكهربائية بالشكل الكافي.

و. احرص على أن تظل أدوات القطع حادة ونظيفة. أدوات القطع التي تتم صيانتها بشكل مناسب وحوافها حادة احتمالية أن تتلم ضعيفة ويمكن التحكم فيها بشكل أسهل.

ز. استخدم أداة الطاقة الكهربائية والكماليات ورووس الأداة وما إلى ذلك بما يتوافق مع هذه التعليمات، مع الوضع في الاعتبار ظروف العمل والأعمال المراد تنفيذها. استخدام أداة الطاقة الكهربائية لتنفيذ العمليات في الأغراض غير المخصصة يمكن أن يتسبب في التعرض لمواقف خطيرة.

5. الخدمة

أ. احرص على أن يقوم فني متخصص بإصلاح أداة الطاقة

## الاستخدام المقصود

مخاطر التعرض للصدمة الكهربائية.

- د. لا تسيء استخدام السلك. لا تستخدم السلك مطلقاً لأغراض حمل أداة الطاقة الكهربائية أو سحبها أو فصلها. احرص على وضع السلك بعيداً عن الحرارة والزيت والحواف الحادة والأجزاء المتحركة. الأسلاك المتضررة أو المتشابكة تزيد من مخاطر التعرض للصدمة الكهربائية.

صُممت ماكينة الصنفرة من شركة [BLACK+DECKER] لصنفرة الخشب والمعدن والبلاستيك والأسطح المطلية. هذا الجهاز معد لاستخدام العملاء فقط.

## تعليمات السلامة

تحذيرات عامة متعلقة بسلامة أداة الطاقة الكهربائية



تحذيراً! احرص على قراءة كل تحذيرات السلامة والتعليمات ذات الصلة. أي قصور في اتباع تعليمات السلامة يمكن أن تتسبب في التعرض لصدمة كهربائية و نشوب حريق و/أو وقوع إصابات بالغة.

احرص على ضرورة الاحتفاظ بكل التحذيرات والتعليمات ذات الصلة للاستخدام المستقبلي كمرجع.

المصطلح "أداة الطاقة الكهربائية" الوارد في كل التحذيرات المدرجة أدناه يشير إلى أداة الطاقة الكهربائية المشغلة بكابل (محزمة ثنائي الخوط) يوصل بشبكة التيار الأساسية أو بطارية (بدون كابلات).

## ١. سلامة منطقة العمل

أ. احرص على أن تكون منطقة العمل نظيفة ومضاءة جيداً. فالمناطق غير المرتبة أو المظلمة تستدعي وقوع حوادث.

ب. لا تقم بتشغيل أدوات الطاقة الكهربائية في أجواء انفجارية، مثل تلك المحتوية على سوائل قابلة للاشتعال أو غازات أو غبار. أدوات الطاقة الكهربائية تسبب في وجود شرر يمكن أن يشعل الغبار أو الشعلات.

ج. احرص على إبعاد الأطفال والمارة عن تشغيل أداة الطاقة الكهربائية. مصادر صرف الانتباه يمكن أن تجعلك تفقد القدرة على التحكم.

## ٢. السلامة الكهربائية

أ. يلزم توافق قوايس أداة الطاقة الكهربائية مع مصدر التيار الكهربائي. تجنب مطلقاً تعديل القابس بأية طريقة. لا تستخدم مكيف القابس مع أداة الطاقة الكهربائية المتصلة بالأرضي (مؤرض). عدم تعديل القابس واستخدام فتحات الكهرباء المناسبة يحد من مخاطر الصدمات الكهربائية.

ب. تجنب ملامسة الجسم مع أسطح مؤرضة، مثل المواسير والمشعات والإطارات والمبردات. يوجد خطر متزايد من التعرض لصدمة كهربائية إذا كان جسمك أصبح في وضع تأريض.

ج. لا تعرض أدوات الطاقة الكهربائية للمطر أو ظروف الرطوبة. تسرب الماء إلى داخل أداة الطاقة الكهربائية سوف يزيد من

هـ. عند تشغيل أداة الطاقة الكهربائية في الخارج فاستخدم سلك امتداد مناسباً للاستخدام الخارجية. استخدام سلك مناسب لأغراض الاستخدام الخارجي يقلل من مخاطر التعرض للصدمة الكهربائية.

و. إذا تعذر تجنب تشغيل أداة الطاقة الكهربائية في منطقة رطبة فاستخدم شبكة تغذية محمية بقاطع الدائرة (RCD). استخدام قاطع الدائرة يقلل من مخاطر التعرض للصدمة الكهربائية.

## ٣. السلامة الشخصية

أ. كن متيقظاً وراقب ما تفعل واستخدم حسك العام عند تشغيل أداة الطاقة الكهربائية. لا تستخدم أداة الطاقة الكهربائية عندما تكون مجهداً أو تحت تأثير المخدرات أو الكحوليات أو الأدوية. فحالة عدم الانتباه عند تشغيل أداة الطاقة الكهربائية يمكن أن تتسبب في وقوع إصابات شخصية بالغة.

ب. استخدم تجهيزات الحماية الشخصية الوقائية. احرص دائماً على ارتداء واقية العينين، تجهيزات الحماية، مثل قناع الغبار وأحذية السلامة غير الانزلاقية والقفبات المتينة أو واقية السمع المستخدمة لظروف مناسبة سوف تقلل من معدل التعرض لإصابات شخصية.

جـ. تجنب بدء العمل بدون قصد. تحقق من أن المفتاح في وضع

الإطفاء قبل التوصيل بمصدر الطاقة الكهربائية و/أو علبه البطارية أو التقاط أو حمل الأداة. حمل أدوات الطاقة الكهربائية وإصبعك على المفتاح أو أدوات الطاقة الكهربائية المشغلة من شأنه أن يستدعي وقوع حوادث.

د. تخلص من أية مفاتيح ضبط أو ربط قبل تشغيل أداة الطاقة الكهربائية. أي مفتاح ربط أو ضبط موصل بالجزء الدوائ من أداة الطاقة الكهربائية يمكن أن يتسبب في وقوع إصابات شخصية.

هـ. لا تفرط في التجاوز. احرص على أن تتوفر القواعد ونسب الأتزان في كل الأوقات. ومن شأن ذلك أن يتيح إمكانية تحكم أفضل في أداة الطاقة الكهربائية في المواقف غير المتوقعة.

و. ارتد زياً مناسباً. لا ترتد الملابس الفضفاضة أو مجوهرات. احرص على إبقاء شعرك وملابسك والقفازات بعيداً عن الأجزاء المتحركة. الملابس الفضفاضة أو المجوهرات أو الشعر الطويل يمكن أن تنحسر في الأجزاء المتحركة.



## Names & Addresses for BLACK + DECKER Service Concessionaries

**ALGERIA:** SARL Outillage Corporation, After Sale Service Center-08, Rue Mohamed Boudiaf - Cheraga, Algiers, Algeria, Tel: +213 21 375131, Fax: +213-0-369667. **AZERBAIJAN:** Kontakt - NN LLC, M.Qashqay 43, Baku, Azerbaijan Az1000. Tel: +994 12 4082050, Fax: +994 12 4117090. **BAHRAIN:** Alfouz Services Co. WLL., P.O. Box 26562, Tubli, Manama, Tel: +973-17783562/ 17879987, Fax: +973-17783479. Kewalram & Sons Co. WLL P.O. Box 84, Manama, Kingdom of Bahrain, Tel: +973-17213110/ 17210617/ 17210619, Fax: +973-17213211/ 17210627. **BANGLADESH:** Ultra Corporation, 8, Kushol Centre, Uttara, Dhaka 1230. Tel: +880-2-8922144, Fax: +880-2-8951339. **EGYPT:** Anasia - Egypt for Trading S.A.E., 9, Mostafa Refaat St., Sheraton Heliopolis Bldgs., Cairo, Egypt, P.O.Box 2443 Heliopolis 11361, Tel. : (202) 268 4159, Fax.: (202) 268 4169, www.anasia.com. **ETHIOPIA:** Seif Sherif Trade PLC -Arada Sub City, Kebele 01-02, Global Insurance Bldg., 2nd Flr. Room 43, P.O.Box 2525, Addis Ababa, Ethiopia, Tel: 00-251-11-1563968/ 1563969, Fax: 00-251-11-1558009. **INDIA:** Gryphon Appliances Ltd., D-6/4, Okhla Industrial Area, Phase-I, New Delhi-110020, Tel: +91-11-46731111, Fax: +91-11-46731111. **JORDAN:** Bashiti Hardware, 93 King Abdullah 2nd St., Opp ELBA House, P.O. Box 3005, Tel: +962-6-5349098 ext.11, Fax: +962-6-5330731. **KENYA:** Leading Concepts, P.O. Box: 40877-00100, Nairobi, Kenya. Tel: +254 20 690 5000, Fax: +254 20 690 5111. **KUWAIT:** Al Omar Technical Co., P.O. Box 4062, Safat 13041, Kuwait, Tel: 00965-24848595/ 24840039, Fax: 00965-24845652. The Sultan Centre, P.O. Box 26567-13126 Safat, Kuwait, Tel: 00965-24343155 Etn. 432, Fax: 00965-24319071. **LEBANON:** Aces Service Centre, P.O. Box 90-102, Nahr El Mot, Seaside Highway, Pharaon Building, Beirut. Tel: 00961-1-898989, Fax: 00961-1-245880. **LIBYA:** Homeworld Co., Building No.5, Senidal St., Amr Ibn Elaas Road, Benghazi, Libya. Tel: 00218-61-9094183. Service Center1 - Benghazi: Tel: +218-061-3383994, Fax: +218-092-7640688, Service Center2 - Tripoli: Tel: +218-021-3606430, Fax: +218-092-6514813. **MALTA:** John G Cassar Ltd. 36-Victory Street, Qormi QRM 06, Malta. Tel: +356-21493251, Fax: +356-21483231. **MAURITIUS:** J.M. Goupille & Co. Ltd., Rogers Industrial Park 1, Riche Terre, Mauritius, Tel: +230 206 9450 / +230 207 1700, Fax: +230 206 9474/ +230 248 3188. **MOROCCO:** UATS 26 Rue Ennarjisse, Hay Erraihan, Beausejour - Hay Hassani-Casablanca, Morocco. Tel: +212 522945114, Fax: +212 522942442. **NEPAL:** Universal Electrocom, Tripureshwor, Kathmandu, Nepal. Tel: +977-1-4265191. **NIGERIA:** Dana Electronics Ltd. (Lagos) 116/ 120, Apapa Oshodi Express Way, Isolo, Lagos, Nigeria. Tel: +234-17431818/ +234-8037767774/ +234-8057445477. (Abuja) 18, A.E. Ekuikinan Street, Off Obsfemi Awolowo Road, Utako, Abuja, Nigeria. Tel: +234-8032276101/ +234-8037767774. (Kano) 9A - Mai Malari Road, Bompai, Kano, Nigeria. Tel: +234-8053294947/ +234-8037767774. **OMAN:** Oman Marketing & Service Co. (Omasco), P.O. Box 2734, Behind Honda Showroom, Wattayah, Oman, Tel: +968-24560232/ 24560255, Fax: +968-24560993. Oman Marketing & Service Co. (Omasco), Al Ohi, Sohar, Oman, Tel: +968-26846379, Fax: +968-26846379. Oman Marketing & Service Co. (Omasco) - Sanaya, Salalah, Oman, Tel: 00968-23212290, Fax: +968-23210936. **PAKISTAN:** Ammar Service & Spares - 60-Bank Arcade, Serai Road, Karachi, Pakistan, Tel: 0092-21-32426905, Fax: 0092-21-32427214. **PHILIPPINES:** 476 J. P. Rizal St., cor Kakarong St. Brgy Olympia, Makati City, Tel: +632 403-5698. **QATAR:** Al Muftah Service Centre - Al Wakrah Road, P.O. Box 875, Doha, Qatar. Tel: 00974-4650880/ 4650110/ 4446868, Fax: 00974-4441415/ 4662599. **SAUDI ARABIA: (Al Khobar)** Al-Suwaiket Catering & Trading Co., P.O.Box 4228, King A.Aziz Street, Al Khobar, Tel: +966-3-8591088, Fax: +966-3-8595648. Fawaz Ebrahim Al Zayani Trading Est. P.O. Box 76026, Al Khobar #31952, Tel: +966-3-8140914, Fax: +966-3-8140824. **(Jeddah)** Banaja Trading Co. Ltd, P.O. Box 366, Jeddah-21411, Tel: +966-2-6511111, Fax: +966-2-6503668. **(Riyadh)** Banaja Trading Co. Ltd, P.O. Box 566, Riyadh-11421, Tel: 00966-1-4124444, Fax: +966-1-4033378. **SOUTH AFRICA:** Trecco Power Tool Service 14 Steenbok Street, Koedoespoort, 0186, Pretoria, South Africa, Tel: +27-86-1873826, Fax: +27-86-5001771. **SRI LANKA:** Delmege Construction Products (Pvt) Ltd., No 101 Vinayalankara Mawatha, Colombo-10, Sri Lanka, Tel: +94-11-2693361-7, Service hotline: +94-77-2211111. **TUNISIA:** Société Tunisienne De Manutention - Rue de la Physique, Nouvelle Zone Industrielle de Ben Arous-2013 Tunisia, Tel: +216-71-386102/ 380620, Fax: +216-71380412 ext 216. **UGANDA:** Anisuma Investment and Services Ltd., J R complex, Ware House No.5, Plot No 101, 3rd Street Industrial Area, Jinja Road, Kampala, Tel: +256-414237106. **UAE: (Abu Dhabi)** Light House Electrical, P.O. Box 120, Abu Dhabi, Tel: +971-2-6726131, Fax: +971-2-6720667. **(Al Ain)** Zillion Equipment and Spare Parts Trading LLC, P.O. Box 19740, Opp. Bin Sadal/Trimix Redymix Sanaiya, Al Ain. Tel: +971-3-7216690, Fax: +971-3-7216103. **(Dubai)** Black & Decker (Overseas) GmbH, P.O. Box 5420, Dubai, Tel: +971-4-8127400/ 8127406, Fax: +971-4-2822765. **(Musaffah)** Light House Electrical, P.O. Box 120, Abu Dhabi, Tel: +971-2-5548315, Fax: +971-2-5540461. **(Sharjah)** Mc Coy Middle East LLC, P.O. Box 25793, Sharjah, Tel: +971-6-5395931, Fax: +971-6-5395932. **(Ras Al Khaimah)** Mc Coy Middle East LLC, P.O.Box 10584, Ras Al Khaimah, Tel: +971-7-2277095, Fax: +971-7-2277096. **YEMEN: (Aden)** Muala St., Tel: +967 2 222670, Fax: +967 2 222670. **(Sana'a)** Middle East Trad. Co. Ltd., P.O. Box 12363, Hayel Street, Sana'a. Tel: +967-1-204201, Fax: +967-1-204204. **(Taiz)** Middle East Trading Co. (METCO), 5th Flr. Hayel Saeed Anam Bldg, Al-Mugamma St. Taiz, Yemen, Tel: +967-4-213455, Fax: +967-4-219869.

## **Names & Addresses for BLACK + DECKER India Service Concessionaries**

**ANDHRA PRADESH:** KAKINADA - LAKSHMI SIVARAM ENTERPRISES, #43-1-48, OPP: IDBI BANK, MAIN ROAD, KAKINADA. BRANCH:SARPAVARAM JUNCTION, BESIDE POLICE STATION KAKINADA, ANDHRA PRADESH, 533001, Tel: 9848317859, Email: lsr1.nani1980@gmail.com. RAJAMUNDRY - SRK POWER TOOLS CORPORATION, DOOR NO: 7-30-15 OPP:BATA SHOW ROOM, NEAR SANTHI, MAIN, ROAD RAJAHMUNDRY RAJAMUNDRY, 533101, Tel: 9966644555, Email: srk.powertools@gmail.com. TIRUPATI - MAHARAJA SPARES, NO. 42 NETHAJI ROAD TIRUPATI, 517501, Tel: 0877 2253426, Email: "ramsing.yrajurohit@gmail.com, mahasinghrp39@gmail.com". VISAKHAPATTANAM - S B ENTERPRISES, 28-16-14 / SURYABAGH VISAKHAPATANAM, ANDHRA PRADESH, 530020, Tel: 0891-2562208 / 2569917, Email: sbevsp@gmail.com. VISAKHAPATTANAM - SRI GANESH HARDWARE & ELECTRICALS, NO. 7-16-73 OLD GAJUWAKA JN VISAKHAPATANAM, ANDHRA PRADESH, 530026, Tel: 0891 515524, Email: sriganeshhardware1982@gmail.com. **ASSAM:** GUWAHATI - ARUN MACHINE AND TOOLS, A.T.ROAD NEAR RUPSHREE CINEMA, TOKOBARI GUWAHATI, ASSAM, 781001, Tel: 2591868, Email: arunmachinetools@rediffmail.com. GUWAHATI - BAGARIA TOOLS AND HARDWARE, NEAR HOTEL VISHWARATNA AT ROAD GUWAHATI, ASSAM, 781001, Tel: 2511173, Email: bagariatools@yahoo.com. GUWAHATI - VINAYAK TOOLS AND MACHINERY, A-1, MANGAL RAM TOWER OPPOSITE POLICE RESERVE, A.T.ROAD GUWAHATI, ASSAM, 781001, Tel: , Email: sarawgi\_anil@yahoo.com. JORHAT - ASSAM MACHINE TOOLS, GAR-ALI, JORHAT GUWAHATI ASSAM, 785001, Tel: 2321607, Email: arunmachinetools@rediffmail.com. TEZPUR - SHYAM MACHINERY AND TOOLS, A.C. PLAZA, N.B.ROAD (NEAR ANANTA CINEMA) TEZPUR, ASSAM, 784001, Tel: 03712-230142, Email: dipeshagarwal8@gmail.com. **BIHAR:** GAYA - JAI AMBEY TRADERS, RAMNA ROAD, NEAR RAMA BHAVAN, P.S.-CIVIL LAIN, P.O.- GAYA , BIHAR, 823001, Tel: , Email: jatgaya@gmail.com. **CHATTISGARH:** RAIPUR - V. M. ENTERPRISES, MILLENNIUM PLAZA, FIRST FLOOR-31 BANSTAL G E ROAD RAIPUR, 492001, Tel: 0771-4280808, Email: vmenterprises9@gmail.com. **DELHI/NCR:** NOIDA - SHIVA MACHINERY TOOLS, C-100, SECTOR-9 NOIDA-UTTAR PRADESH, 201301, Tel: 0120-4356062, Email: shiva\_machinery@yahoo.co.in. DELHI - JMR TECHSERV INDIA, M-7 1st FLOOR GURU RAM DASS BHAWAN COMMUNITY CENTRE RANJIT NAGAR NEW DELHI, 110041, Tel: 011-45669290, Email: jmrtechserv@gmail.com. FARIDABAD - MAHALAKSHMI TRADING CORPORATION, Plot no 40/66B, Industrial area, (near Raj gas agency) Near Hardware chowk, FARIDABAD, 121001, Tel: 0129-4023814, Email: khatri\_vinod@hotmail.com. GURGAON - M/S SHRI GANPATI TRADERS, Plot NO:377/24,Model Town (4Marla) Near Gurudwara, Gurgaon-122001 GURGAON, 122001, Tel: 0124 2320088, Email: vibhu@shreeganpatitraders.com. **GOA:** PANJIM - MECH-TECH ENGINEERING SYSTEMS, G-2, EMERALD TOWERS, M.G. ROAD OPP STATE BANK ZONAL OFFICE, PANJI, GOA, 403001, Tel: 0832-2223601, Email: arya\_gc@rediffmail.com. PANJIM - S.K .TRADING, SHOP NO 4 ESTEEVE APARTMENT NEAR ALUA HOTEL, MERCES PANJIM, 403005, Tel: , Email: sktradinggoa@gmail.com. VASCO-DA-GAMA - S.S.HITECH ENGINEERS, SHOP NO-2, LAXJOT APPTS NEAR KTC BUS STAND VASCO-DA GAMA, GOA, 403802, Tel: 0832-2515582, Email: s\_sshe@rediffmail.com. **GUJARAT:** AHMEDABAD - RUSHABH TRADERS, MIRA CHEMBUR, OPP.SYNDICATE BANK KADIA KULI, RELIEF ROAD AHMEDABAD, 380001, Tel: 079 22180265, Email: rushabhavm@yahoo.in. AHMEDABAD - SHIVAM SALES & SERVICE, Shop No.7,G/F,Mira Mangal Appt.,Opp.Uday Tenamemnt,Times Of India Road,Satellite,Ahmedabad, 380051, Tel: 079-69501111, Email: shivam.dewalt@gmail.com. AHMEDABAD - SHREE MARUTI TOOLS, B/5,NEW SHIVKRIPA APARTMENT OPP, AGIYARAS MATA MANDIR, NAVA AHMEDABAD, GUJARAT, 380013, Tel: 079-7643580/7..., Email: shreemarutitools@gmail.com. AHMEDABAD - SHYAM TRADING, 34, GREEN VILLA NR. H.B. KAPADIA SCHOOL, GURUKUL ROAD, MEMNAGAR, AHMEDABAD, GUJARATH, 380052, Tel: 079 66522025, Email: bosch\_shyam@yahoo.com. ANKELESHWAR - CHINTAN ELECTRICALS, PLOT NO-1006,GIDC ESTATE, ANKELESHWAR,DIST-BHARUCH ANKELESHWAR,DIST-BHARUCH, 393002, Tel: 02646-251524, Email: chintanele@yahoo.com. RAJKOT - JAY ENTERPRISE, Dhebar Road, Near Ashok Guest House, RAJKOT, 360001, Tel: 0281 – 2236235, Email: viralmehta.01@gmail.com. SURAT - NATIONAL POWER TOOLS ( SURAT ), HG41-42, RUSHABH TOWERS, Near Jain Temple, Adajan Patia Rander Road, Surat, 395009, Tel: 0261-2788227, Email: npt\_surat@yahoo.co.in. SURAT - SOHAM REPAIRING CENTER, 11,RAMESHWAR SOCIETY, BESIDE RUDRAKSH RESIDENCE,KAPODRA CROSSING, VARUCHA ROAD SURAT, 395006, Tel: , Email: sohamtools@yahoo.in. SURAT - VIKRAM ENGINEERS, M.G.ROAD , NO-4 , SANGHAVI HOUSE UDYOGNAGAR UDHANA, 394210, Tel: 0261-2274025, Email: sujata1290@gmail.com. VADODARA - HARIOM ENTERPRISE, Laheripura New Road Opposite Sai Baba temple VADODARA, GUJARAT, 390001, Tel: 0265-6543678, Email: patel\_rajesh67@yahoo.com. VAPI - BRIGHT MACHINE TOOLS, A-1 Plot no 126,Opp Hotel way wait bhadakmora silvasa road, vapi, 396195, Tel: 0260-2450808, Email: brightvapi@ymail.com. BARDOLI - VDN ENTERPRISE PVT LTD, 201, 1ST FLOOR, M.G ROAD DARSHAN APARTMENT, BARDOLI, 394601, Tel: 0262 - 2226507, Email: vdnptvtd@gmail.com. AHMEDABAD - GITANJALI TRADERS, LAXMI NAGAR CORNER OPP;GANGOTRI HOTEL, NH NO 8 NARODA,AHMEDABAD,GUJARAT, 382330, Tel: 079-22801346, Email: info@gitanjalitraders.com. SILVASSA - INDIA TOOLS CENTRE, NO.8,Silver Point, OPP: TO ICICI BANK, Silvassa - Vapi Main Road SILVASSA, 396230, Tel: 2602423518, Email: indiabrgntools@yahoo.com. AHMEDABAD - SHREE GANESH SALES &SERVICE, E/21, MIRA MANGAL APARTMENTS OPP: UDAY,SOC TIMES OF INDIA ROAD,VEJALPUR , SATELLITE, AHMEDABAD, 380051, Tel: 079 - 40320976, Email: ganeshservice2bosch@gmail.com.

**HARYANA:** BHIWADI - HARYANA AGENCIES, NEAR ALLAHABAD BANK NH-8 , DELHI-JAIPUR HIGHWAY, BANIPUR CHOWK BAWAL(REWARI)HARYANA, 123501, Tel: 01493-226319, Email: haryana.agency@gmail.com. **HIMACHAL PRADESH:** BADDI - CHANDAN INDUSTRIES, B.O. OPP. 4 SEASON HOTEL, PINJORE ROAD, NEAR BUS STAND BADDI, HIMACHAL PRADESH, 177701, Tel: 94180-01785, Email: dewaltbaddi@gmail.com. **JAMMU AND KASHMIR:** JAMMU - BHAGWATI SALES CORPORATION, MAIN ROAD, LAST MORTH GANDHI NAGAR , JAMMU, 180001, Tel: 0191-2452718, Email: pranav272@gmail.com . **DHANBAD - SIGMA ENTERPRISES, SARAIHELIA MAIN ROAD NEAR AJAY TALKIES DHANBAD, BIHAR, 828127, Tel: 206253, Email: sigmaenterprises66@yahoo.com. **JHARKHAND:** JAMSHEDPUR - INDUSTRIAL TOOLS & EQUIPMENTS, S ' TYPE CHAWK , MAIN ROAD ADITYAPUR, JAMSHEDPUR WEST BENGAL, 831013, Tel: 0657-2383282, Email: udaybavdekar@yahoo.com. JAMSHEDPUR - MANGILALL RUNGTA, P.O.JUGSALAI JAMSHEDPUR, JHARKHAND JAMSHEDPUR, 831006, Tel: 0657-423738, Email: mlrungtas@rediffmail.com. RANCHI - INDUSTRIAL TOOLS AGENCY, DR. FATAULLAH ROAD RANCHI JHARKHAND, 834001, Tel: 0651-2206712, Email: industrialtoolsagency123@gmail.com**

**KARNATAKA:** BANGALORE - HINDUSTAN TOOLS, Shop No.40/3, Dr. Ismail complex,S.P.Road, Bangalore, 560002, Tel: 080-41513796, Email: hindustantoolsraghu@gmail.com. BANGALORE - MINI SALES AND TOOLS SERVICE, NO 12,1ST FLOOR,R.K.BUILDING 1ST CROSS, N.R.ROAD BANGALORE, KARNATAKA, 560002, Tel: 26702375, Email: mini\_tools@yahoo.co.in. BANGALORE - NEW BANGALORE POWER TOOLS, NO-637/4,FIRST FLOOR, MUNIYAPPA COMPLEX, OPP.I.B.P.PETROL BUNK, JALAHALLI CROSS BANGALORE, KARNATAKA, 560057, Tel: 25900650, Email: nbpt.blr@gmail.com. BANGALORE - PATEL TRADING CORPORATION, 1ST FLOOR, NO. 57/3 SARDAR PATRAPPA ROAD BANGALORE, KARNATAKA, 560026, Tel: 8026754572, Email: ptcyrolit@gmail.com. BANGALORE - VISHAL ENTERPRISES, I FLOOR, NO.5 MANDI VEERAPPA LANE S.J.P. ROAD CROSS BANGALORE, KARNATAKA, 560002, Tel: 080-40903826, Email: vish3777@gmail.com. BELGAUM - VIKRANT SALES CORPORATION, KHANAPUR ROAD UDYAMBAG BELGAUM, KARNATAKA, 590008, Tel: 0831-2441256, Email: vikrantsalescorpn@gmail.com. BHATKAL - CITY TOOLS CENTER, ISMAIL COMPLEX, N H-17 MAIN ROAD BHATKAL, KARNATAKA, 581320, Tel: 227613, Email: citytoolsbhatkal@gmail.com. BIJAPUR - SAGAR ELECTRICALS, SHOP NO. 55 CMC COMPLEX BAGALKOT CROSS BIJAPUR, KARNATAKA, 586101, Tel: 08352-22637. HUBLI - A B AGENCIES, RAZAK BUILDING, KOPPIKAR ROAD KOPPIKAR ROAD, HUBLI KARNATAKA, 580020, Tel: 0836-2366812, Email: axaybs@gmail.com. MANGALORE - LAKSHMI SALES CORPORATION, LAKSHMI TOWERS, MAIN ROAD,KULAI, , MANGLORE MANGALORE, 574196, Tel: 0824-2407836, Email: lakshmicryo@gmail.com. **KERALA:** CALICUT - TOOL TECH INC, DOOR NO. 16/931 & 932B ARADHANA TOURIST HOME, KALLAI ROAD, CALICUT, 673002, Tel: 0495-4025065, Email: inc.tooltech@gmail.com. KOCHI - POWERTOOL ENTERPRISES, 44/2133E, FREEDOM ROAD KALOOR KOCHI, KERALA, 682017, Tel: 0484-4047593, Email: ptecochin@yahoo.co.in. KOCHI - TOOL WORLD, 44/2708C KARUKAPPILLY DESHABHIMANI ROAD KOCHI,KERALA, 682017, Tel: 0484-3295546/2409745, Email: toolworld.world068@gmail.com. KOCHI - VINDIA ENTERPRISES, 39/3686, BUVIPURAM ROAD ERNAKULAM, KOCHI, KERALA, 682016, Tel: 0484-2356924, Email: vindiano1tool@yahoo.com. MALLAPURAM - KOLAR MILL STORES PVT. LTD., 18/1819 KOLAR BUILDINGS OPP POLICE STATION, UP HILL P.O MALLAPURAM, 676505, Tel: 0483-2730603, Email: mail@kolaronline.com. THRISSUR - TOOL MEC, XII/689/27, MARS COMPLEX POOTHOLE ROAD THRISSUR, KERALA, 680004, Tel: 0487-2389739, Email: jayadev58@gmail.com. TRIVANDRUM - VIZHINJAM POWER TOOLS, SARHAN BUILDING, ARYASALAI TRIVANDRUM, 695036, Tel: 0471-6050001, Email: vizhinjampowertools@gmail.com. KOTHAMANGALAM - JAMSAS TRADELINKS PRIVATE LTD, IX/529 D,FORSQUARE, THRIKKARIYOOR, NELLIKUZHI ROAD, ERNAKULAM DISTRIC, KOTHAMANGALAM, 686692, Tel: 0485-2828520, Email: jamsastradelinks@gmail.com. **MADHYA PRADESH:** BHOPAL - BHOPAL TOOLS, 64, HAMIDIA ROAD, BHOPAL- MADHYA PRADESH, 462001, Tel: 0755-2736173, Email: bhopaltools@gmail.com. INDORE - PIONEER INTERNATIONAL, 223, SHASTRI MARKET, 2ND FLOOR , INDORE - MADHYA PRADESH, 452007, Tel: 0731-2538007, Email: pioneerindore221@gmail.com. INDORE - RELIABLE POWER TOOLS, 12, JAWAHAR MARG,SHOP NO 9 ,1st FLOOR, SHALIMAR PLAZA, INDORE- MADHYA PRADESH, 452007, Tel: 0731-2366352, Email: reliablepowertools@gmail.com. INDORE - BALAJI ENTERPRISES, 118, SIYAGANJ MAIN ROAD, INDORE- MADHYA PRADESH, 452001, Tel: 0731-2549374, Email: rbalajient@rediffmail.com. AHMEDNAGAR - DATTA ENTERPRISES, N-16, NIMBALAK ROAD MIDC INDUSTRIAL AREA AHMEDNAGAR, MAHARASHTRA, 414111, Tel: 0241-6611130 / 6611131, Email: datta1@rediffmail.com. **MAHARASHTRA:** AKOLA - R B MACHINERY, MALIPURA CHOWK AKOLA MAHARASHTRA, 444001, Tel: 0724-2424354, Email: vijaybaniya@yahoo.co.in. ANDHERI (E) MUMBAI - UNIQUE AGENCIES, MAROL MAROSHI ROAD, , MAROL, MUMBAI MUMBAI MUMBAI, 400059, Tel: 022-29257512, Email: uniqueage@ymail.com. AURANGABAD - ANIKET ENTERPRISES, X-324, NEAR HDFC BANK MAHARANA PRATAP CHOWK, BALAJI NAGAR MIDC, AURANGABAD, 431005, Tel: 0240-2563312, Email: aniketent1408@gmail.com. AURANGABAD - PADMAVATI ELECTRICALS, OPP. RAMANAND COLONY KRANTI CHOWK AURANGABAD, 431005, Tel: 0240 - 2323033, Email: padmavati.electricals@rediffmail.com. AURANGABAD - SHACO SALES & SERVICES-AURANGABAD, Shop No. 9 , Awargaonkar Complex , Below Hotel Ramgiri Jalna Road , Cidco , Aurangabad, 431005, Tel: 0240-6542111, Email: aurangabad@shacosales.com.

BOISAR - YASH VINAYAK ELECTRICAL, shop no 17, F-1 , Stayam Apt. Near- Ostwal English Academy School, Ostwal Empire BOISAR, MAHARASHTRA, 401501, Tel: , Email: yashvinayakelectrical@gmail.com. BULDHANA - J B MACHINERY & TOOLS, NEAR ST JOSEPH SCHOOL BOTHA ROAD BULDHANA, 443001, Tel: 07262-46159, Email: ajay.sharma1711@gmail.com. CHAKAN - SADGURU POWER TOOLS AND ELECTRICAL, KOHINOOR CENTRE SHIVAJI CHOWK CHAKAN, PUNE, 410501, Tel: 02135-645361, Email: sadgurutools@rediffmail.com. DHULE - MISTRY ENTERPRISES, NEAR PRAKASH TALKIES PAROLA ROAD DHULE, MAHARASHTRA, 424003, Tel: 02562-234429, Email: mistryenterprises234429@gmail.com. ICHALKARANJI - SAPANA ENTERPRISES, 23/151, PANCHGANGA FACTORY TO SHAHPUR ROAD, NEAR KOTHARI SIZING, P O - GANGAN ICHALKARANJI, MAHARASHTRA, 416116, Tel: 0230-2440592, Email: sapana.enterprises@rediffmail.com. JALANA - S.P. SHAH & SONS, MUTTA BUILDING NEAR NATRAJ CINEMA JALANA, MAHARASHTRA, 431203, Tel: -, Email: spshahjalna234827@yahoo.in. JALGAON - KAURENU INDUSTRIAL ENTERPRISES, NO. 5, LAXMI TOWER NERI NAKA, JALGAON MAHARASHTRA, 425001, Tel: 0257-2227384, Email: kaurenutools@gmail.com. JALGAON - SHRI GAJANAN ELECTRICALS & MACHINER, 327-A , MAIN GATE , BASEMENT NEW B.J.MARKET, JALGAON MAHARASHTRA, 425001, Tel: 0257-222 4198, Email: pawandandge117@gmail.com. KHAR (W) MUMBAI - MAHAVIR ELECTRICALS, Shop No 8, Inside B.M.C Market Khar (W), MUMBAI, 400052, Tel: 022-26462082, Email: kamleshbhati1974@yahoo.com. KOLHAPUR - SUSHITO ENTERPRISES, B,UNDER GROUND - 1 PRABHAKAR PLAZA, STATION ROAD KOLHAPUR, MAHARASHTRA, 416001, Tel: 0231-2667433, Email: sushito2667433@yahoo.co.in. KOLHAPUR - YASH ENTERPRISES, 1446 B/C, EMPIRE TOWER, SHOP NO.16-B DASARA CHOWK, LAXMIPURI KOLHAPUR, MAHARASHTRA, 416002, Tel: 0231-2644811, Email: yashenterprises10@gmail.com. LATUR - S D TRADERS, JAMDADDE BUILDING BEHIND OLD POWER HOUSE LATUR, MAHARASHTRA, 413512, Tel: 02382-252127, Email: shailsun@yahoo.com. LONAVALA - SUPER AGENCIES, G' WARD , SHOP NO - 6 GURUNANAK CO-OPP HSG SOCIETY LONAWALA, MAHARASHTRA, 410401, Tel: 02114-273279, Email: rajivsuper@gmail.com. MUMBAI - MANOHER ELECTRIC STORES, 10,Roshni Building,S.V.Road Oshiwara,Jogeshwari(West) MUMBAI, MAHARASHTRA, 400102, Tel: 022-26784783, Email: manoharmachinetools@gmail.com. MUMBAI - RAJ MACHINE TOOLS, II ND FLOOR 71/73, NAGDEVI STREET MUMBAI, MAHARASHTRA, 400003, Tel: 022-65213643/2035, Email: rajtools@yahoo.co.in. MUMBAI - S. A. TRADERS, 76 , NAGDEVI CROSS LANE , SHOP NO 3. MUMBAI, MAHARASHTRA, 400003, Tel: 022 - 23400988, Email: tkglobalstar@gmail.com. MUMBAI - SHREE SIDHIVINYAK MACHINE TOOLS, Shop No 1 ,Vishwa Mohini Building Opp Kamla Nehru Shopping Centre N.S Road , Mulund, 400080, Tel: 022-25612255, Email: jaindilip525@gmail.com. NAGPUR - RATHI ENGINEERING COMPANY, 31 A, RADKE LAYOUT OPP- SAINT XAVIERS HIGH SCHOOL NAGPUR, MAHARASHTRA, 440016, Tel: 07104-232221, Email: kjrathi\_rec@yahoo.com. NAGPUR - UNION HARDWARE STORES, CENTRAL AVENUE DARODKAR CHOWK, NEAR ITWARI HIGH SCHOOL NAGPUR, 440002, Tel: 2769620, 2777729, Email: unionhardwarenz@gmail.com. NASIK - ESSEL ENGINEERS, NO. 6/7, KHETWANI D NEAR DONDE BRIDGE, UNTWADI, CIDCO NASHIK, MAHARASHTRA, 422009, Tel: -, Email: avinashkale32@yahoo.in. NASIK - MESON TRADERS, NO. 994, MAIN ROAD NASHIK NASHIK (M.S.), 422001, Tel: 0253 2507862, Email: meson\_ambad@yahoo.in. NASIK - VIDAD ENGINEERING & ELECTRICALS, MAHADEV NAGAR CORNER NEAR SATPUR BUS STOP, SATPUR - TRIMBAK ROAD SATPUR NASIK, 422007, Tel: 0253 2363567, Email: vidadengg@yahoo.com. NAVI MUMBAI - FINE ELECTRICAL WORKS, SHOP NO -3 ,JANTA MARKET PLOT NO 3 & 4 ,SEC-23 , NR SADGURU HOTEL,TURBHE ,NAVI MUMBAI NAVI MUMBAI, 400705, Tel: 022-27839587, Email: fine.electricalworks@yahoo.in. NAVI MUMBAI - NEW BOMBAY (HARDWARE) TRADERS PVT., PLOT NO 107, SECTOR-23 TURBHE SERVICE INDUSTRIES, NEAR JANTA MARKET VASHI, NAVI MUMBAI, 400705, Tel: 022-67973977 / 27835529, Email: nbht@nbhtpl.com. OSMANABAD - SHREE AMBICA MACHINE TOOLS, SHOP NO 26 SHIVAJI CHOWK OSMANABAD, MAHARASHTRA, 413501, Tel: 0242-227281, Email: ashoksapkal75@gmail.com. PUNE - EVEREST ENTERPRISES, SUKHWANI NEST SHOP NO. 7, VIDHYAM NAGAR PIMPRI, PUNE, 411018, Tel: 27433522, Email: everest\_entp@yahoo.co.in. PUNE - FAITH MACHINERY STORES, TIP TOP BLDG , SHOP NO-6&7 , 550B , NANAPETH , NEAR CHACHA HALWAI CHOWK , LAXMI ROAD , PUNE., 411002, Tel: 020-26137868 / 27433169, Email: faithpurchase2010@gmail.com. PUNE - K Z TRADING CO, Shop no 2 , padamjee palace, Bhawani Peth PUNE, 411042, Tel: 020 32927052, Email: mustafa\_reshamwalla@yahoo.com. PUNE - MAX CORPORATION, NO. 95, GANESH PETH, LAXMI ROAD DULYA MARUTI CHOWK PUNE, 411002, Tel: 020-26344945 / 26344946 / 26341647, Email: maxcorpni@yahoo.com. PUNE - RAM ELECTRICALS, SHAGUN CHOWK PIMPRI PUNE, 411017, PUNE - SOLANKI ENTERPRISES, NO. 288/B, RASTA PETH OPP M.S.E.B NEAR SAI MOTORS, PUNE, 411011, Tel: 020 26120268, Email: solankienterprisespune@gmail.com. PUNE - SUPERWELD SOURCES PVT LTD, Near Century Enka MIDC Bhosari PUNE, 411026, Tel: 020-30681560, Email: supertraderspune@gmail.com. PUNE - TECHNO TOOLS, 1 & 2, P.J. CHAMBERS NEAR AMBEDKAR STATUE PIMPRI, PUNE, 411018, Tel: 020 30683334/5/6/7/8, Email: technodewalt@yahoo.com/techno.tools@yahoo.com. PUNE - TOOL MAX, "MAULI" 738, BUDHWAR PETH GANESH ROAD, NR. PHADKE HOUD PUNE, 411002, Tel: 020 64007995, Email: sales@toolmax.in. SANGLI - ARC POWER TOOLS & EQUIPMENTS, Atharv Sankul , Basement , Near Hotel New Ratna , Kupwad Patha , Vishrambag , Sangli, 416436, Tel: 0233-2670443, Email: madhav@arcpowertools.com / mohar@arcpowertools.com. SANGLI - SHREE SALES AND SERVICES, PLOT NO. P-90 CHAKAN OIL MILL ROAD, M.I.D.C . SANGLI, 416436, Tel: 0233-2645005 / 2645437, Email: vinodlatthe1@yahoo.com.

SATARA - M P ENGINEERS, SHOP NO -7 , JIWHALA HOUSING SOCIETY NEAR BOMBAY RESTAURANT, OLD M.I.D.C SATARA, 415001, Tel: 02162 - 247341, Email: mpengineersatara@gmail.com. SATARA - NEW MAHARASHTRA TRADERS, NO. 184 B1/C, RAVIWAR PETH POWAI NAKA SATARA, MAHARASHTRA, 415002, Tel: 02162-235605, Email: newmaharashtratradrs.pt@gmail.com. SOLAPUR - MADAN .J. DALVI, GALA NO -7 .L.V.COMPLEX RAMLAL CHOWK, RAILWAY LINE SOLAPUR, MAHARASHTRA, 413001, Tel: 0217-2727051, Email: dalvi.prem@gmail.com . SOLAPUR - SIDDHRATNA SALES & SERVICES, NO. 64 JODHBHAVI PETH SOLAPUR, 413002, Tel: 0217 2729911, Email: siddhratna.sales@rediffmail.com. SOLAPUR - SUNEEL TEXTILE ENGINEERING INDUSTRI, PLOT NO. 65, NAGANE NAGAR BEHIND MAHAVIR TEA COMPANY,KONDH-413004 KONDH, SOLAPUR, 413007, Tel: 0217-2622500, Email: sgpendesol@bsnl.in .THANE - SUPER SALES & SERVICES, MONALISA BLDG., SHOP NO.5, HARINIWAS CIRCLE, , THANE, 400602, Tel: 022 - 25386845, Email: contact@supersaleservice.com . PUNE - ABRA SALES, T-96/1 BHOSARI PIMPRI ROAD, M.I.D.C BHOSARI, PUNE , MAHARASHTRA, 411026, Tel: 020-66300599, Email: rssbhosari@gmail.com. MUMBAI - UNIQUE ENGINEERS, OFFICE NO.3,183 MUTTON STREET, NULL BAZAR, MUMBAI, 400003, Tel: 022-23475221, Email: murtaza@uniqueengineers.com. **ORISSA:** BHUBANESWAR - UTKAL POWER TOOLS &SALES, SHOP NO 121,ANAND PLAZA LAKSHMI SAGAR SQUARE BHUBANESHWAR, 751006, Tel: 0674-2571079, Email: utkalpowertoolssales2012@gmail.com. ROURKELA - SUBHAM ENTERPRISES, NO. 41 , TARINGINI MARKET ROURKELA ORISSA, 769004, Tel: 0661-440 1443, Email: subhamenterprises42@gmail.com.CUTTACK - M/S ADITYA TRADE &CO, APARNA NAGAR, PO CHAULIAGANJ, NEAR SITADEVI JOGLEKAR SCHOOL CUTTACK CUTTACK, 753004, Email: aditya.dewalt@gmail.com.CUTTACK - HINDUSTAN TRADERS-ORISSA, Bhadrakvati Road, Sanjay Cafe Building ,Cuttack, Email: abhindustantraders879@gmail.com. BHUBANESWAR - SUPREME TOOLS CENTRE,CUTTACK ROAD, KALPANA AREA,APEX MARKET COMPLEX, 751006, Tel: 6742311368, Email: supreme.tools.centre@gmail.com. **PUNJAB:** CHANDIGARH - D.P.JAGAN & SONS, SCO 46-47, SEC.NO-28-C CHANDIGARH, HARYANA, 160002, Tel: 0172-5072717, Email: dpjagan@yahoo.in.JALANDHAR - FAIRDEAL AGENCIES, NEHRU GARDEN ROAD NEAR AJIT PRESS JALANDHAR, 144001, Tel: 0181-5030304, Email: sg@fairdealagencies.co.in. LUDHIANA - ARNEJA MACHINERY STORE, GILL ROAD LUDHIANA PUNJAB, 141003, Tel: 0161-2537923, Email: arneja375@yahoo.in. PANCHKULA - VIKAS WELD, PLOT NO-257 ,INDUSTRIAL AREA, PHASE - I , PANCHKULA HARYANA, 134113, Tel: 0172-2576437, Email: vikasgasesvg@yahoo.co.in. PHAGWARA - MOHINDRA BROS. OIL CO., DANA MANDI, PHAGWARA PHAGWARA PHAGWARA, 144401, Tel: 01824 269082, Email: anant.raman@yahoo.com. CHANDIGARH - J.V. MILL AND HARDWARE STORES, 418-A , INDUSTRIAL AREA PHASE II RAM DARBAR , CHANDIGARH, 160002, Tel: 0172-2640658, Email: jvm418@rediffmail.com. **RAJASTHAN:** AJMER - S. S. AUTO AGENCIES, 4, KHAILAND MARKET, AJMER AJMER, 305001, Tel: 1452424120, Email: ssauto07@gmail.com. ALWAR - HARYANA IRON TRADERS, RAM GANJ, ALWAR ALWAR, 301001, Tel: 0144-2700205, Email: haryanairon.alwar@gmail.com. JAIPUR - ATUL ENTERPRISES, NEAR SIKAR HOTEL HANS MARG, S.C.ROAD JAIPUR, RAJASTHAN, 302001, Tel: 0141-2360327, Email: atuldhurka@gmail.com. JODHPUR - BHATI HARDWARE HOUSE, OPP-HANWANT SCHOOL PAL ROAD, JODHPUR (RAJ) JODHPUR-342003, 342003, Tel: 0291-2770506 / 0291-2770337, Email: bhathardware\_house@yahoo.com. JODHPUR - SEJAL POWER TOOLS, 1ST PAL PULIYA NEAR GOVT SCHOOL MAIN PAL ROAD VILLAGE PAL JODHPUR, 342001, Tel: 0823-3994001, Email: sejalpawertools285@gmail.com. JODHPUR - USHA TRADING COMPANY, INSIDE SOJATI GATE, JODHPUR JODHPUR, 342001, Tel: 2642023, Email: naveenut2011@gmail.com.SIKANDARA - JAGDAMBA ENTERPRISES, NEAR THANDI PAU KI THADI, Agra Road, Sikandra Chouraya SIKANDARA, 303303, Tel: , Email: jagdambaent06@yahoo.com. UDAIPUR - M.P.TRADERS, 40,NEW KESHAV NAGAR ROOPSAGAR ROAD UDAIPUR, 313001, Tel: , Email: mptraders.2010@rediffmail.com. UDAIPUR - RAJASTHAN TOOLS(PROP.DIESELS INDIA), 1, KASTURBA MARKET TOWN HALL ROAD, UDAIPUR, 313001, Tel: 0294-2419260, Email: rajasthantools@murdiagroup.com. **TAMIL NADU:** CHENNAI - CHENNAI POWER TOOLS AND ELECTRICALS, NO-648 , 1st Floor, MTH Road MANNURPET PADI CHENNAI, 600050, Tel: 044-26251663, Email: chennaipowertools@yahoo.com. CHENNAI - K.S.ENGINEERING EQUIPMENTS, 16, TRUNK ROAD, POONAMALLEE CHENNAI, 600056, Tel: 044 - 26492223, Email: k.s.engineeringequipments@gmail.com.CHENNAI - M/s.ROYAL TOOLS AGENCIES, Old.No.11, New.No.21, Errabalu Street, Chennai CHENNAI, 600001, Tel: 044 - 25212150,044 - 25212160": royaltoolsagencies@gmail.com.service@royaltools.in. CHENNAI - PROFESSIONAL POWER TOOLS SALES &SERVICE, NO 77/155, BROADWAY CHENNAI CHENNAI, 600108, Tel: 044-64555872, Email: pptssc@gmail.com. CHENNAI - SHRIMMA POWER TOOLS, NO. 13, OLD MAHABALIPURAM ROAD KANDANCHAVADI, CHENNAI. CHENNAI, TAMIL NADU, 600096, Tel: 044-64534203, Email: shrimmapowertool@yahoo.com. CHENNAI - SRI KATHYAYENI ENTERPRISES, H-24, CENTRAL AVENUE KORATTUR CHENNAI, TAMIL NADU, 600080, Tel: 044 - 26873550 /42878495, Email: kathyayeni\_tools2002@yahoo.co.in. COIMBATORE - AARDWOLF ENGINEERING CO., NO. 180 A/9, DR. NANJAPPA ROAD NSP COMPLEX, COIMBATORE COIMBATORE, TAMIL NADU, 641018, Tel: 0422 - 2301884 / 2380974, Email: myaardwolf@gmail.com. COIMBATORE - ORIENT EQUIPMENT & SERVICES, P.B. NO. 3795, SHOP NO G-5, V. R. ARCADE 295, DR. NANJAPPA ROAD COIMBATORE, TAMIL NADU, 641018, Tel: 0422 - 2236432 /2238507, Email: orientcbe@gmail.com,orientcalibration@gmail.com,rientcbe@dataone.in. HOSUR - BANU TOOLS, PLOT NO 7 , AMARAVATHI TOWERS VASAVI STREET,NEAR KVB BANK , NH 7, BYE PASS ROAD, HOSUR, 635109, Tel: 04344 - 242102, Email: banutools@gmail.com.



MADURAI - SANKER SALES CORPORATION, NO. 270, WEST MASI STREET MADURAI TAMIL NADU, 625001, Tel: 0452 - 2341803, Email: sankersalescorp270@gmail.com. TRICHY - SRI ANDAL POWER TOOLS, NO. 5, A BLOCK SREE COMPLEX, MADURAI ROAD TRICHY, 620008, Tel: 0431 4544271, Email: sriandalpowertools@yahoo.co.in. SALEM - SRI ANDAL AGENCIES, 47/10E DEVANGAPURAM EXTN ST SHEVAPET, SALEM, 636002, Tel: 0427 2223718, Email: sriandalagencies@yahoo.in. Madurai - SRI CHELLAM TOOLS, 166C NORTH VELI STREET Madurai Madurai, 625001, Tel: 04524-4504200, Email: srichelamtools@gmail.com. Chennai - THOMAS ENTERPRISES, 1/23, Kamatchi Nagar, vanagaram, Chennai, 600095, Tel: 044-24767133, Email: thomasenterprises30@gmail.com. TUTICORN - BLESSON TRADERS, NO.15, DEVARPURAM ROAD, TUTICORN, 628003, Tel: , Email: blessontraders@yahoo.in. **TELANGANA:** ANANTHPUR - GENERAL ENGINEERING, # 18-246 ,ROOM NO - 2 PINNI COMPLEX OPP KRISHNA THEATRE, ANANTHPUR, ANDHRA PRADESH, 515001, Tel: 0854-235706, Email: friendjan1@yahoo.co.in. HYDERABAD - GAYATHRI INDUSTRIAL CORPORATION, 10C, USHODAYA TOWERS, INDUSTRIAL ROAD, SHAPURNAGAR, JEEDINEMTLA. HYDERABAD, ANDRA PRADESH, 500055, Tel: 040 65964671, Email: gayathri.powertools@gmail.com. HYDERABAD - ORIENTAL ENGINEERING CORPORATION, 5-2-990 NIZAM SHAHI ROAD HYDERABAD, ANDRA PRADESH, 500095, Tel: 040 460 0056, 460 5319, Email: orientalgroup@gmail.com. HYDERABAD - S.V.INDUSTRIAL & MARKETING SERVICES, 2-3-64/8, S.NO-1 & 2 ,SAI POORNIMA OPP-AMBERPET NEW POLICE STATION, , HYDERABAD, ANDRA PRADESH, 500013, Tel: 040-27424828, Email: svindustrial1988@gmail.com. HYDERABAD - SRINIVASA ENTERPRISES, 5-5-80,2ND FLOOR, SRI SRINIVASA COMMERCIAL COMPLEX , BESIDE RAO'S HOTEL RANIGUNJ, SECUNDE HYDERABAD, ANDRA PRADESH, 500003, Tel: 040-66489943, Email: srinivasa\_enterprises99@yahoo.com. HYDERABAD - VRINDAVAN ENTERPRISES, SHOP NO - 113,MEGHANA COMPLEX, OPP- ANDHRA BANK , BALANAGAR HYDERABAD, 500037, Tel: 30906810, Email: vrindavanent@gmail.com. VIJAYWADA - GOPALAKRISHNA ENGINEERING CO., DOOR NO 12-6-15, HART STREET, TARAPET, VIJAYAWADA VIJAYAWADA VIJAYAWADA, 520001, Tel: 9848156713, Email: sambasivarapoathina@yahoo.com. SECUNDERABAD - RAMAN TRADING COMPANY, SHOP NO.3.GAYATRI COMMERCIAL COMPLE, LALATEMPLE SREET,RANIGUNJ,SECUNDERABAD, 500003. **UTTARAKHAND:** RUDRAPUR - PARVESH MARKETING, TEEN PANI DAM, FULSUNGA, U.S. NAGAR, RUDRAPUR-UTTRAKHAND, 263153, Tel: , Email: parveshmarketing@rediffmail.com. DEHRADUN - M P ABRASIVES, SHOP NO- 19, SRI LAXMI PLAZA, GANDHI ROAD, DEHRADUN-UTTRAKHAND, 248001, Tel: 0135-2623192, Email: mpabrasives@gmail.com. GHAZIABAD - SHARMA ELECTRICALS, 1577, VIVEKANAND NAGAR, DOUBLE STORY, GHAZIABAD-UTTAR PRADESH, 201001, Tel: 0120-2702670, Email: SPT\_2010@REDIFFMAIL.COM. KANPUR - CLIPCO TRADERS, 77/151, LATOUCHE ROAD , KANPUR- UTTAR PRADESH, 208001, Tel: 0512-2314228, Email: clipico@gmail.com. **UTTARPRADESH:** KANPUR - MAGADH INDUSTRIAL COMPANY, 123/414-A, GURU NANAK MARKET, GADARIAN PURVA, KANPUR- UTTAR PRADESH, 208022, Tel: 0512-2230545, Email: micokanpur@gmail.com. KANPUR - VIRAT ENTERPRISES, 122/230, SAROJINI NAGAR, KANPUR -UTTAR PRADESH, 208012, Tel: 0512-2221264, Email: premagarwal16@gmail.com. LUCKNOW - YASH ENGINEERING WORKS, 83, NAYA GAON EAST (BARROW MARKET) LATOUCH ROAD, LUCKNOW-UTTAR PRADESH, 226018, Tel: 0522-3046252, Email: yashengworkslo@gmail.com. SAHARANPUR - PREMIER MACHINERY STORE, VENUS CINEMA BUILDING, RAILWAY ROAD , SAHARANPUR -UTTAR PRADESH, 247001, Tel: 0132-2641663, Email: pmsre@gmail.com. LUCKNOW - POWER TOOLS COMMERCE, TALKATORA ROAD, NEAR HARDOI CROSSING, LUCKNOW-UTTAR PRADESH, 226017, Tel: 0522-3296595, Email: powertoolscommerce@gmail.com . GHAZIABAD - CHANANA BROTHERS, 228/6, HAPUR ROAD, GHAZIABAD-UTTAR PRADESH, 201001, Tel: 0120-4115993, Email: chanana\_brothers1@yahoo.com. MEERUT - GARG STEEL CENTRE, 419, PATEL GANJ, KABARI BAZAR, MEERUT CITY-UTTAR PRADESH, 250002, Tel: 0121-2515926, Email: mukul.gsc@rediffmail.com. LUCKNOW - NIMBUS INTERNATIONAL, 26, AISH BAGH ROAD, LUCKNOW-UTTAR PRADESH, 226004, Tel: 0522-692315, Email: nimbusinternational@gmail.com. VARANASI - DIAMOND EDGE, D 59/127, CURCH MISSION COMPOUND, SIGRA, VARANASI-UTTAR PRADESH, 221010, Tel: 0542-2224317, Email: diamondedgevns@rediffmail.com. ALLAHABAD - ASSOCIATED BROTHERS, 17 RAM BAGH, ALLAHABAD-UTTAR PRADESH, 211003, Tel: 0532-2418381, Email: ab\_all@rediffmail.com. HARIDWAR - U & D CORP, 1243, ARYA NAGAR, KANKHAL-JWALAPUR ROAD, HARIDWAR-UTTRAKHAND, 249404, Tel: 01334-253452, Email: undcorp@live.com. RUDRAPUR - NATIONAL MACHINERY STORES, 39, GALLA MANDI, U.S. NAGAR, RUDRAPUR-UTTRAKHAND, 263153, Tel: 05944-243417, Email: salujanms@yahoo.co.in . **WEST BENGAL:** DURGAPUR - CITY HARDWARE, NACHAN ROAD BENACHITY DURGAPUR, WEST BENGAL, 713213, Tel: 0343-2583831, Email: city\_steelcity@rediffmail.com. HOWRAH - CUTWELL TOOLS, BELOW WBSEB OFFICE HOWRAH AMTA ROAD, DASNAGAR HOWRAH, WEST BENGAL, 711105, Tel: 6530670, Email: yogesh@market-links.co.in. KOLKATA - BARDIA TRADING CO., NO. 17 , PRINCEP STREET KOLKATA WEST BENGAL, 700072, Tel: 2373065, Email: bardiatradingcompany@gmail.com. KOLKATA - MACHINERY & TOOLS ( INDIA ) , 24,NETAJI SUBHAS ROAD KOLKATA WEST BENGAL, 700001, Tel: 033-2221-3840, Email: mtools\_kol@yahoo.co.in. KOLKATA - S.M.B CORPORATION, NO. 218 OLD CHINA BAZAR STREET KOLKATA, 700001, Tel: 22422406/0666, Email: smbcorporation@gmail.com. KOLKATA - SUBOL DUTT & SONS PVT. LTD., NO. 13, BRABOURNE ROAD KOLKATA WEST BENGAL, 700001, Tel: 40051156, Email: suboldutt@rediffmail.com. KOLKATA - ESKAY CORPORATION, 26, N.S.ROAD(NETHAJI SUBAS ROAD) (GROUND FLOOR) KOLKATA, 700001, Tel: 65217049, Email: eskaycorp@live.in.

# Имена и адреса дистрибьютеров BLACK + DECKER

**Альметьевск**, ООО "Смарт", 423451, ул. Тухватуллина, д.12, база Смарт, Телефон: (8553) 30-01-01, Факс: (8553) 30-00-01. **Ангарск**, ООО "ВСРТА Кемеровские заводы" 665800, ул. Рабочего Штаба, д. 87, Телефон: (3955) 77-91-02, 96-96-59, Факс: (3955) 77-91-02. **Архангельск**, ООО "Архлес-сервис", 163071, ул. Тимме, д. 23, Телефон: (8182) 27-00-49, 29-35-86, Факс: (8182) 27-00-49. **Астрахань**, ООО "Компания Инструментал", 414057, ул. Рождественского, д. 1 Ж, Телефон: (8512) 35-14-46, 35-14-46, Факс: (8512) 50-21-21. **Астрахань**, ООО "Мастер-Класс", 414014, ул. Ярославская, д. 34 А, Телефон: (960) 856-05-11. **Ачинск**, ООО "Экстрим-Центр", 662150, ул. Дзержинского, д. 36, Телефон: (39151) 6-23-22. **Барнаул**, ИП Бескишкин В. П., 656010, ул. пр-т Ленина, д. 73, Телефон: (3852) 61-77-12, Факс: (3852) 61-77-12. **Барнаул**, ИП Никитин М. Д., 656067, ул. Балтийская, д. 66 А, Телефон: (3852) 45-58-47, 8 (964) 603-72-52, Факс: (3852) 45-39-85. **Белгород**, ООО "ЦентрИнструментСервис-Белгород", 308002, ул. Богдана Хмельницкого пр-т, д. 133 В, Телефон: (4722) 31-82-48, 34-61-29, Факс: (4722) 31-82-48. **Белгород**, ИП Шабанов С. И., 308024, ул. Хостюкова, д. 1, Телефон: (4722) 55-86-08, Факс: (4722) 55-26-43. **Благовещенск**, ООО "Амурская электротехника", 675014, ул. Кольцевая, д. 43, Телефон: (4162) 42-30-70. **Бор**, ООО "Молоток", 606440, ул. Первомайская, д. 7 А, Телефон: (83159) 9-35-58, Факс: (83159) 9-35-58. **Брянск**, ИП Тимошкин С. Н., 241035, ул. Бурова, д. 14, Телефон: (4832) 68-71-75, Факс: (4832) 68-71-75. **Брянск**, ИП Тимошкин С. Н., 241037, ул. Красноармейская, д. 103, Телефон: (4832) 41-71-44, Факс: (4832) 41-71-44. **Великие Луки**, ИП Леничев Ю. Г., 182100, ул. Мурманская, д. 16, Телефон: (81153) 3-71-20, Факс: (81153) 5-14-60. **Владивосток**, ИП Барса В. А., 690105, ул. Бородинская, д. 46/50, каб. 305, Телефон: (423) 234-57-12, Факс: (423) 234-57-12, **Владикавказ**, ИП Метрелели Г. В., 362003, ул. Карла Маркса, д.400, Телефон: (8672) 24-15-73, 51-32-23 Факс: (8672) 51-32-23. **Владимир**, ИП Верстин В. Ф. 600022, ул. пр-кт Ленина, д. 44, Телефон: (4922) 38-27-90, Факс:(4922) 38-67-55. **Владимир**, ООО "ИМКом-Сервис", 600035, ул. Куйбышева, д. 4,Телефон: (4922) 37-06-05. **Волгоград**, ООО "НПФ СПЛВЯНЕ", 400074, ул. Козловская, д. 20, Телефон: (8442) 94-52-49, Факс: (8442) 94-52-49. **Волгоград**, ООО "Инструмент-Сервис", 400055, ул. Фадеева, д. 29, Телефон:(8442) 55-00-11, Факс:(8442) 55-00-11. **Волгоград**, ООО "Инструмент-Сервис" 400050 ул., Рокоссовского,д. 52, Телефон: (8442) 55-00-11, Факс: (8442) 55-00-11. **Волжский**, ООО "Инструмент-Сервис" 404106, ул. Большевикская, д.70Б, Телефон: (8443) 55-00-99, Факс:(8443) 55-00-99. **Вологда**, ИП Журавлёв Д. А.160022, ул. Можайского, д. 44. Телефон: (8172) 74-30-63, Факс: (8172) 74-30-63. **Воронеж**, ООО "Энкор-Сервис", 394026, ул.Текстильщиков, д. 2 корп. 3, Телефон: (473) 261-96-35, 261-96-46, Факс: (473) 261-96-35 доб.458. **Воткинск**, ИП Татаринов К. В. 427430 ул. Садовникова, д. 17, Телефон: (950) 171-60-05, 8(963)546-22-34. **Екатеринбург**, ИП Салахов Д. Д. 620026, ул. Розы Люксембург, д. 67 А, Телефон: (343) 251-94-94. **Екатеринбург**, ООО "ИНИГС-Сервис", 620026, ул. Шефская, д. 3, корп. Г, Телефон: (343) 219-28-47, Факс: (343) 264-04-40. **Иваново**, ИП Грушина М. Е.,153000, ул. Красногвардейская д. 33, Телефон: (4932) 30-67-00. **Ижевск**, ИП Струков А. А., 426006, ул. Телегина, д. 30, Телефон: "(3412) 93-24-19", Факс: (3412) 93-24-19, 93-24-20. **Ижевск**, ООО "РЭМО", 426011, ул. Майская, д. 28, Телефон: (3412) 73-95-85, Факс: (3412) 72-72-76. **Иркутск**, ИП Паздникова Л. И. 664075, ул.Байкальская, д. 239, корп.7, Телефон: (3952) 22-60-29, 22-87-24, Факс: (3952) 22-60-29, доб.136. **Иркутск**, ООО "ВСРТА Кемеровские заводы", 664035, ул. Рабочего штаба, д. 87, Телефон:(3952) 77-91-02,96-96-59, Факс: (3952) 77-91-02, 77-93-87. **Ишар-Ола**, ООО "Дровосек", 424037, ул. Машиностроителей, д. 2 Б, Телефон: (8362) 41-97-70, Факс: (8362) 41-97-70. **Казань**, ИП Федосеев Е. И.,420029, ул. Сибирский Тракт, д. 34 корп. 12, Телефон: (843) 211-99-01 (02,03,04), Факс:(843) 211-99-01 (02,03,04). **Казань**, ООО "Вавилон-С", 420136, ул. Маршала Чуйкова, д. 25, Телефон: (843) 525-44-15, Факс: (843) 525-44-15. **Казань**, ООО "Дровосек", 420129, ул. Габдуллы Тукая, д. 125, корп.3, Телефон: (843) 205-33-32, 205-33-34. **Казань**, ООО "Профтулз", 422625, с. Песчаные Ковали, ул. Октябрьская, д.28,Телефон:(843) 225-80-20. **Казань**, ООО "Профтулз", 422622 с. Сокуры, ул. Державина, д. 9 А,Телефон: (843) 225-20-80, **Калининград**, ИП Скрицкий О. И., 236001, ул. Московский пр., д. 253, Телефон: (4012) 59-06-06, 59-06-13, Факс: (4012) 59-06-13. **Калуга**, ИП Смогляева А. Б., 248000, ул. Карла Либкнехта, д. 31, Телефон: (4842) 22-03-65, (920) 617-81-91. **Кемерово**, ООО "Сервисный центр "Электра",650044, ул. Абызова, д. 12 А, Телефон: (3842) 64-01-03, 64-28-00, 64-04-55, Факс: (3842) 64-00-07, **Киров**, ИП Касихин В. Н., 610020, ул. Труда, д. 71, Телефон: (8332) 64-66-56, Факс: (8332) 64-66-56. **Киров**, ООО "Дровосек", 610004, ул. Ленина, д. 54,Телефон: (8332) 35-80-24, 35-80-25, Факс: (8332) 35-80-24, 35-80-25. **Киров**, ООО "НеолиТ", 610035, ул. Пугачева, д. 1, Телефон: (8332) 56-35-63, Факс: (8332) 56-35-63. **Ковров**, ООО "ИМКом-Сервис" 601916, ул. Летняя, д. 24 А, Телефон: (49232) 4-58-66, Факс: (49232) 4-58-66. **Кострома**, ООО "КрафтТулз", 156026, ул. Северной правды, д. 41 А, Телефон: (4942) 32-59-91, (910) 376-00-10, Факс: (4942) 32-59-91. **Краснодар**, ООО " СТО " Авто-Кубань ", 350059, ул. Новороссийская, д. 174 А,Телефон: (989) 800-86-32, (918) 977-76-22. **Красноярск**, ООО "Инструмент-Сервис", 660121, ул. Парашютная, д. 15,Телефон:(3912) 61-98-99, 61-98-95, Факс: (3912) 61-98-99, 61-98-95. **Красноярск**, ООО "Сервисный Центр", 660022, ул. Аэровокзальная, д. 21 стр. 2, Телефон: (3912) 41-86-40, Факс: (3912) 41-86-40, **Курск**, ИП Долголев Р. В. 305001, ул. Кожевенная, д.31-А, Телефон: (4712) 38-90-65, Факс: (4712) 38-90-65. **Липецк**, ООО "Арсенал", 398001, д. 9 Марта, д. 13,Телефон:(4742) 74-06-96, 35-32-15, Факс: (4742) 74-66-76, 22-74-78. **Липецк**, ЗАО "ППрофтулз", ул. Космонавтов, д. 43,Телефон:(4742) 31-92-69, 790, Факс: (4742) 31-92-69, 79. **Магнитогорск**, ИП Трухин А. С. 455045, ул. Свободы, д. 7, (3519) 49-26-77, **Миасс**, ИП Макаров В. В., 456317, ул. Академика Павлова, д. 8 Б, Телефон: (904) 305-83-79, **Москва**, ООО "Фирма Технопарк", 121471, ул. Гвардейская, д. 3, к.1,Телефон:(495) 737-81-59, 444-10-70, Факс: (495) 737-81-59, **Мурманск**, ИП Гиренко С. Г., 183038, ул. Ленина пр-т, д. 45, Телефон: (8152) 47-47-25, (8152) 47-47-25, **Муром**, ООО "ИМКом-Сервис", 602266, ул. Владимирское шоссе, д. 12, Телефон: (49234) 2-63-41, Факс: (49234) 2-63-41. **Набережные Челны**, ООО "КамаСнабТорг", 423803, ул. Сармановский тракт, д. 60,Телефон: (8552) 33-23-12, 44-49-99, **Набережные Челны**, ИП Давлеева И. М., 423800, ул. 40 лет Победы, ГСК "Визиди",бокс № 19, Телефон: (962)566-95-23, Факс: (8552) 40-04-48, **Нальчик**, ООО "Техно-Сити", 360004, ул. Кирова, д.137,Телефон:(8662) 40-29-83, Факс: (8662) 40-78-78, **Нижний Новгород**, ИП Федосеев Е. И., 603124, ул. Московское ш., д. 300,Телефон: (831) 274-89-66, 274-89-67, Факс: 274-89-66, доб.117. **Нижний Новгород**, ООО "Пигмент", 603089, ул. Полтавская, д. 32,Телефон: (831) 416-78-70, 416-78-80, Факс: (831) 416-78-70. **Нижний Новгород**, ООО "Дровосек", 603086, ул. Бульвар Мира, д. 7,Телефон: (831) 281-81-91, Факс: (831) 281-81-91, **Новокузнецк**, ООО "Механик", 654005, ул. Пирогова, д. 301,Телефон: (3843) 73-83-17, Факс: (3843) 73-83-17, **Новосибирск**, ООО "Телец", 353920, ул. Героев Десантников, д. 61,Телефон: (8617) 63-50-10, Факс:(8617) 63-50-10, **Новосибирск**, ООО "СТП Регламент", 630091, ул. Советская, д. 52,Телефон: (3832) 20-00-30, Факс: (3832) 20-00-30. **Обнинск**, ИП Вишняков О. В. 249034, ул. Кабицинская Гос Заря №244,Телефон: (48439) 9-07-46, Факс:(48439) 9-07-46. **Сочи**, ЗАО "Исток", 354340, ул. Старонасыльная, д. 30/2,Телефон: (8622) 40-20-64, 8-800-100-44-33. **Омск**, ООО "Профинструмент сервис", 644001, ул. Шебадина, д. 199, к.1, Телефон: (3812) 36-65-09,Факс: (3812) 36-65-09. **Орел**, ИП Долженков А. В. 302030, ул. Старо-Московская, д. 7,Телефон: (4862) 54-36-07, Факс:(4862) 54-36-07.

# Имена и адреса дистрибьютеров BLACK + DECKER

**Оренбург**, ООО "Уральский мастер", 460050, ул.Томиллинская, д. 238/1,Телефон: (3532) 53-26-11, 27-87-97, Факс: (3532) 53-26-11,  
**Орск**, ИП Балан Ю. Л. 462421, ул. Новосибирская, д. 90 ,Телефон: (3537) 42-10-99, **Орск**, ООО "Проминком", 462421, ул. Новосибирская, д. 211,Телефон: (3537) 28-15-29, **Пенза**, ООО "Анкор", 440600 ул. Гладкова, д. 10, Телефон: (8412) 55-32-27 ,  
**Пермь**, ООО "КУБ", 614064, ул. Героев Хасана, д. 41,Телефон: (342) 240-25-39, 240-25-38,Факс: (342) 240-25-38, **Петрозаводск**,  
ООО "Батя - Сервис", 185031, ул. Заводская, д. 4,Телефон: (8142) 74-72-42, 77-15-77, **Псков**, ООО "Сервисный центр "Мастер",  
180006, ул. Первомайская, д. 33,Телефон: (8112) 72-45-55, 72-30-56,Факс: (8112) 72-45-55, 72-30-56, **Сочи**, ИП Никишина Т. Л.,  
354000, ул. 20-й Горнострелковой дивизии д. 16,Телефон: (8622) 241-25-92. **Симферополь**, ООО "Инструмент Крым", 295001, ул.  
Крылова, д. 21, (0652) 60-09-36, (978)735-43-12, **Севастополь**, ИП Малинка А. Н., 299033, ул. Льва Толстого, д. 7, (978)  
018-27-90,**Пятигорск**, ООО "Электра", 357500, ул. Суворовский проезд, д. 1 А, Телефон:(8793) 38-27-57 Факс: (8793) 38-27-57.  
**Ростов-на-Дону**, ИП Холод В. Н., 344004, ул. Нансена, д. 140,Телефон: (863) 279-03-05, 8(938)160-52-52. **Ростов-на-Дону**, ООО  
"Электроинструмент-Сервис", 344079, ул. Нансена, д. 77 (863) 295-74-65, **Рязань**, ООО "С-ФК",390000, ул. Садовая, д. 33,Телефон:  
(4912) 28-20-16, 92-34-72,Факс: (4912) 28-20-16, **Рязань**, ИП Ильина Н. С., 390037, ул. Зубковой, д.8 А, Телефон: (4912)  
32-07-81,Факс: (4912) 32-07-81, **Самара**, ООО "ЭлектроМаркТ", 443052, ул. Земеца, д. 25,Телефон: (846) 955-24-14, Факс: (846)  
955-24-14, **Самара**, ООО "Специалист", 443080, ул. 4-й проезд, д. 66,Телефон: (846) 342-52-61, Факс: (846) 342-52-61,  
**Санкт-Петербург**, ООО "Инфраком - Сервис", 190103, ул. наб. Обводного канала, д. 187, литер Д, Телефон: (812) 777-0-111,  
251-83-39,Факс: (812) 251-83-74, 575-48-13, Санкт-Петербург, ООО "Электра", 190013, ул. Рузовская, д. 5/13, литер А, пом. 6-Н.  
Телефон: (812) 647-35-68,Факс: (812) 647-35-68, **Саратов**, ИП Петриченко В. В., 410005, ул. Соколова, д. 376,Телефон: (8452)  
27-26-55, 69-26-15, 69-30-16,Факс: (8452) 69-30-37, **Саратов**, ООО "Дровосек", 410004, ул. Чернышевского, д. 88,Телефон: (8452)  
20-03-81,20-03-87, Факс:(8452) 20-03-81,20-03-87, **Серпухов**, ИП Бекренев Г. А. 142200, деревня Борисово, Данковское шоссе, д. 3  
А,Телефон: (4967) 76-12-80, (926) 617-10-19, **Смоленск**, ИП Шульман А. И. 214004, ул. 2-й Красинский переулок, д. 14,Телефон:  
(4812) 32-15-42,Факс: (4812) 32-15-42, **Сокол**, ООО "Домострой", 162130 ул. Набережная Свободы, д. 52,Телефон: (81733) 2-29-79,  
2-26-72,Факс: (81733) 2-29-79, 2-26-72, **Сочи**, ИП Семенченко Т. В. 354000, ул. Транспортная, д./78,Телефон: 8-965-481-13-05,  
**Сочи**, ИП Никишина Т. Л., 352002, ул. 20-й Горнострелковой, дивизии д.16,Телефон: (8622) 25-52-13. **Ставрополь**, ИП Матвеев А.  
Б., 355002, ул. 50 лет ВЛКСМ, д. 89,Телефон: (8652) 55-41-35,Факс: (8652) 55-46-13. **Стерлитамак**, ИП Исаев А. В., 453118, ул.  
Худайбердина, д. 202 А,Телефон: (3473) 41-41-19. **Тамбов**, ОП Поликашин Ю. В., 392000, ул. Монтажников, д. 8 А,Телефон: (4752)  
50-47-67. **Тольятти**, ООО "Инструмент сервис" 445000,ул.Офицерская, д. 24,Телефон: (8482) 51-58-13, 51-54-48, Факс:(8482)  
51-54-48. **Томск**, ИП Брусиныч Н. К. 634061 ул. Герцена, д. 72,Телефон: (3822) 52-25-02, 97-95-73, Факс: (3822) 52-34-73. **Томск**, ИП  
Обухов М. Г.,634063,ул. Мичурина, д. 47, стр. 1,Телефон: (3822) 67-95-74, Факс: (3822) 67-95-74. **Тюмень**, ООО "Спецтехника",  
625026, ул. Республики, д. 143, ост. Газпром, Телефон: (3452) 31-03-11, 20-55-97, Факс: (3452) 20-55-97. **Туапсе**, ИП Гвилава В. Б.,  
352800, ул. Армавирская, д. 8 Б, Телефон: (918) 600-32-42, Факс: (86176) 2-54-47, **Тула**, ИП Машинков Ю. Н., 300041, ул.  
Коминтерна, д. 24,Телефон: (4872) 55-87-21, **Узловая**, ООО "Инструмент-сервис", 301600, ул. Треугова, д. 31 А,Телефон: (48731)  
6-29-64, Факс: (48731) 6-29-64. **Улан-Удэ**, ИП Коркина О. Ю., 670031, ул. Сахьяновская, д. 9 В, Телефон: (3012) 43-70-54, 43-58-61,  
Факс: (3012) 43-58-61. **Ульяновск**, ООО "ДПС", 432071, ул. пр-т Нариманова, д. 1, Телефон: (8422) 37-01-46, Факс: (8422) 37-01-46,  
**Ульяновск**, ООО "Дровосек", 432017, ул. Минаева, д. 12, Телефон: (8422) 32-21-28, Факс: (8422) 32-21-28. **Уфа**, ИП Мингалев А. В.,  
450078, ул. Кирова, д. 101,Телефон: (347) 246-31-86, Факс: (347) 246-31-86, **Ухта**, ООО "ТМ Мушковой Инструмент", 169300, ул.  
**Интернациональная**, д.40,Телефон: (8216) 72-09-00, **Хабаровск**, ООО "БизнесСтройИнструмент", 680014, ул. Переулоч Гражарный,  
д. 4, Телефон: (4212) 40-07-78, Факс: (4212) 40-07-77, **Чебоксары**, ИП Васильев А. Ю., 428000, ул. Базовый проезд, д. 8 Б,Телефон:  
(8352) 57-39-62, **Челябинск**, ИП Альперхова Д.П., 454138, ул. Молодогвардейцев, д. 7, корп.3,Телефон: (351) 267-50-01, 267-50-04,  
Факс: (351) 267-50-01, 267-50-04. **Череповец**, ИП Исупов А. А., 162614 ул. Вологодская, д. 50 А, Телефон: (8202) 202-102, доб.3.  
**Ярославль**, ООО "ЦентрРегионСервис", 150014, ул. Рыбинская, д. 30/30, Телефон: (4852) 20-05-28, 20-05-29, Факс: (4852) 20-05-29,  
**Ярославль**, ООО "ЯрБошСервис", 150040, ул. пр-т Ленина, д. 37/73, пом. 69, 70, 71 Телефон: (4852) 73-34-91. **Примьный Пункт**,  
Саранск, ООО "ФиТеС", 430030, ул., Титова, д. 4, Телефон: (8342) 23-32-23, Факс: (8342) 23-32-23. **Тверь**, ООО "Левша", ул. наб.  
Никитина, д. 142, Телефон: (4822) 52-27-87. **Камышин**, ООО "Инструмент-Сервис" 403873, ул. Пролетарская, д. 111 Б, Телефон:  
(84457) 5-27-27 Факс: (84457) 5-27-27. **Новоочековск**, ООО "Инструмент-Сервис" 301660, ул. Мира, д.17 А, Телефон: (48762)  
7-90-37, **Украина**, Донецк, ДП "ЭСКО-Донецк", 83018, ул. Ершова, д. 10, 38(062), Телефон: 349-24-20, Факс: 349-24-30 ,  
**Днепропетровск**, ООО "ЭСКО-Днепр", 49038, ул. Возкальная, д. 6, Телефон: 38(056) 770-60-28, Факс: 38(062) 349-24-10  
**Запорожье**, ООО "Альцест - Запорожье", 69057, ул. 40 лет Советской Украины, д. 86Б, Телефон: 38(061) 220-28-13, Факс: 38(0562)  
311-971 **Ивано-Франковск**, АОЗТ "Альцест-Карпаты", 76000, ул. Мельничука, д. 8, Телефон: 38(0342) 50-24-04, Факс: 38(061)  
701-71-52, 53 , **Киев**, ООО ПКП "ЭСКО", 04073, ул. Сырецкая, д. 33Ш, Телефон: 38(044) 581-11-25, Факс: 38(0342) 50-24-04. **Львов**,  
ООО "Дом инструментов ", 79020, ул. Замарстыновская, д. 76, Телефон: 38(0322) 24-72-13, 24-72-51, Факс: 38(044) 581-11-25. **Оде**  
**сса**, ДП "ЭСКО-Одесса", 65033, ул. Строганова, д. 29А, 38(0482) 37-61-76, 38(0322) 24-72-13, **Харьков**, ФПП Коротченко Е.В., 61001, ул.  
Юлия Чигирина, д. 13, Телефон: 38(057) 731-97-22,24,26, Факс: 38(0652) 600-936. **Луцк**, ФОП "Круковещ В. С.", 43024, пр.  
Соборности, д. 11 а, Телефон: 38(0332) 29-97-90, Факс: 38(057) 731-97-22, 24, 26, **КривойРог**, ЧП"Коновал А. В.", 50000, пр. Мира,  
д. 16, Телефон: 38(056) 404-03-45, Факс: 38(0332) 29-97-90, **Херсон**, ФОП Пархоменко Игорь Алексеевич, 73000, ул. Дровника, д. 12,  
Телефон: 38(0552) 39-06-90 Факс: 38(0552) 39-06-90. **Армения**, Ереван, ПК "АРЕГ", 0070, ул. Вардананца, д. 28, Телефон: (37410)  
57-02-31, Факс: (37410) 57-02-38. **Беларусь**, Минск, УП "18", 220049, ул. Волгоградская, д. 13, к. 8, Телефон: (017) 280-77-81,  
280-76-93, Факс: (37517) 207-22-78, 251-43-07. **Казахстан**, Алматы, ТОО "Ламэд", 050060, ул. Березовского, д. 3А, Телефон: (727)  
244-64-46, Факс: (727) 244-64-46, **Актобе**, Филиал ТОО "Ламэд", 030000, ул., Санжибай Батыра, д. 4 Л, Телефон: (7132) 53-86-80,  
Факс: (7132) 51-05-54. **Астана** Филиал ТОО "Ламэд", 010000, ул. Пушкина, д. 37/1,Телефон: (7172) 47-81-37, Факс: (7172) 54-16-47.  
**Усть-Каменогорск**, ТОО "Алтай-Метиз", 070003 , ул. Космическая, д. 4/19, Телефон: (7232) 53-45-44, Факс: (7232) 76-54-93.  
**Кустанай**, ИП Шипилин В. Г., 110000, ул. Складская, бутик № 35,Телефон: (7142) 39-25-24, Факс: (7142) 56-62-67. **Павлодар**, ТОО  
"Луса - Сервис", 140000, ул. Академика Бектурова, д. 58, Телефон:(7182) 32-08-68. **Грузия**, Тбилиси, ООО "Кавказия 99", 0141, ул.  
Ксанская №22, Телефон: (832) 260 94 49. **Тбилиси**, ООО "Евротехнологии", 177, ул.пр-т Казбеги, 26, Телефон: (832) 238 52 38.  
**Азербайджан**, Баку, ООО "Сантрал Электрик", AZ1029, ул. пр-т Зии Буньятова 2071-квартал, Телефон: (994) 12 514-40-44, Факс:  
(994) 12 514-40-46.



Şehir	Servis Adı	Adres	Telefon
Adana	Emin Elektrik Bobinaj	Karasu Mah. Kızılay Cad. 28006 Sok. No: 9/D Seyhan	0322 351 80 46
Adana	Demir Elektrik	Karasu Mah. Kızılay Cad. Güngör Pasajı No: 12 Seyhan	0322 352 97 95
Afyon	Katar Bobinaj	Güvenevler Mahallesi 1. San. Sitesi 622 Sokak 6. Blok No :12/A	0272 214 48 64
Ağrı	Tamgüç Bobinaj	Yavuz Mah. Kağızman Cad. Bülbül Sok. No: 51	0472 215 70 41
Amasya	Akotek Ticaret	Yeni Yol Cad. No: 85	0358 218 71 19
Ankara	Başak Elektrik	Başkent Orta San. Sit. 664. Sok. No: 28 Ostim	0312 386 20 84
Ankara	Tezcan Elektrik Bobinaj	1230/1 Sok. No:38 Ostim	0312 354 80 21
Ankara	Tezcan Elektrik Bobinaj	ŞubeYeni San. Sit. Demir Cad. No:64 Dışkapı	0312 311 28 09
Ankara	Tezcan Elektrik Bobinaj Şube	Çalim Sok. No: 32/E Sitelер	0312 348 63 88
Antalya	Yaşar Bobinaj	Aşağı Pazarcı Mah.1068 Sok. No: 19 Manavgat	0242 742 44 07
Antalya	Uslu Bobinaj	G. Pınarı Mah. Oba Yolu Üzeri No: 27/C Alanya	0242 511 57 01
Antalya	Gözde Bobinaj	Akdeniz San. Sit. 5010 Sok. No: 25 Kepez	0242 221 40 30
Antalya	E.B.A Teknik	Cumhuriyet Mah. Eski San. Sit. 682 Sok. No: 38	0242 345 36 22
Aydın	Ege Bobinaj	Yeni Mah. Atatürk Bul. No: 206/E Didim	0256 811 05 95
Aydın	Ozen Bobinaj	Ata Mah. Tepecik Bulvarı No:39	0256 227 07 07
Balıkesir	Küre Bobinaj	Atatürk Cad. No: 109 Bandırma	0266 718 46 79
Balıkesir	Tezger Bobinaj	Yeni San. Sit. Cumhuriyet Cad. No:198	0266 246 23 01
Batman	Topiz Bobinaj	Cumhuriyet Mah. 1512 Sok. No: 35/A	0488 214 87 70
Bolu	Moral Elektrik Bobinaj	Karamanlı Mah. Konuralp Cad. Bilgi Apt. No: 24	0374 210 02 32
Bursa	Vokart Ltd. Şti.	Gasızlar Cad. Erikli Bağçe Sok. No: 7/B Osmangazi	0224 254 48 75
Bursa	Çağ Teknik Bobinaj	Yeni San. Orhangazi Cad. No:23 Inegöl	0224 715 57 37
Bursa	Vokart Ltd. Şti. Şube	Beşevler Küçük San. Sit. Ertuğrul Cad. 13. Satış Blok No: 19 Nilüfer	0224 441 57 00
Çanakkale	Ovalı Bobinaj	Hamdi Bey Mah. İstiklal Cad. No: 160 Biga	0286 316 49 66
Çanakkale	Kısacık Bobinaj	Namık Kemal Mah. Kaynak Sok. No: 41	0286 217 96 71
Çorum	Emek Bobinaj	Küçük San. Sit. 23. Cad. No: 5/C	0364 234 68 84
Denizli	Örsler Bobinaj	Ahisinan Cad. 171 Sok. Sedef Çarşısı No: 9/10	0258 261 42 74
Diyarbakır	Çetsan Elektrik	San. Sit. Karakol Sok. No: 1	0412 237 29 04
Düzce	Yıldız Makina	Burhanıye Mah. Gen. Kazım Sok. No: 10	0380 514 70 56
Düzce	Berke Makine	Kültür Mah. 793 Sok. No:10	0380 524 83 83
Edirne	Eray Bobinaj	Eski San. Sit. 12. Blok No: 9	0284 225 26 92
Elazığ	Kalender Elektrik Bobinaj	San. Sit. 11. Sok. No: 46	0424 224 85 01
Erzurum	Ümit Elektrik Makina	Karaağaç Mah. Sümerbank Cad. No:18/3	0446 224 08 01
Erzurum	Ümit Teknik	Bakırçı Mah. Bakırçı Sok. No: 1	0442 235 05 72
Erzurum	Teknik Makina Bobinaj	Demirciler San. Sit. 1. Blok D: 46 Yakutiye	0442 243 17 34
Eskişehir	Escan Hırdavat	İhsaniye Mah. Kırm Cad. No: 71/A	0222 321 20 40
Gaziantep	Eser Bobinaj	Küçük San. Sit. A Blok 11. Cad. 25. Ada No: 55 Ş. Kamil	0342 235 30 84
Gaziantep	Karavaşın Bobinaj	İsmet Paşa Mah. Şenyurt Cad. No: 35	0342 231 17 33
Hatay	Öz Kardeş Bobinaj	Yeni San. Sit. 38/A Blok No: 53	0326 221 22 91
İsparta	Izmir Bobinaj	Yeni San. Sit. 5 Blok No: 28	0246 223 70 11
İstanbul	Altek Mekatronik	İçmeler Mah. Ankara Cad. Erdoğan Sok. No: 5/C Tuzla	0216 494 03 43
İstanbul	Tarıf Makina	Bağdat Cad. Adalı Sok. No: 8 Maltepe	0216 370 21 11
İstanbul	Fırat Dış Ticaret	Tersane Cad. Zincirli Han Sok. No:3/A Karaköy	0212 252 93 43
İstanbul	Birlik Elektromekanik	Perpa Tic. Mer. B Blok Mavi Avlu Kat. 4 No: 318 Okmeydanı	0212 222 94 18
İstanbul	Kardeşler Bobinaj	Kağıthane Cad. No: 47 Çağlayan	0212 224 97 54
İstanbul	Merj Elektrik	İkitelli Org. Demirciler San. Sit. D/2 Blok No: 280 İkitelli	0212 549 65 78
İstanbul	Orjinal Elektrik	Bağlar Mah. Mimar Sinan Cad. No: 24 Güneşli	0212 515 67 71
İstanbul	Akel El. Servis Hizmetleri	Nato Yolu Cad. Tamer Sok. No: 1 Yukarı Dudullu Ümraniye	0216 540 53 54
İstanbul	Fırat Dış Ticaret Şube	Yakuplu Merkez Mah. 63. Sok. Ağaogulları Plaza A Blok No:9/A Beylikdüzü	0212 876 63 51
İstanbul	Zirve Teknik	Mehmet Akif Ersoy Mah. Atatürk Cad. No: 58/B Sultanbeyli	0216 419 24 34
İzmir	Çetin Bobinaj	Cüneyt Bey Mah. İbrahim Turan Cad. No 98/A Menderes	0232 782 73 00
İzmir	Birlik Bobinaj	2824 Sok. No: 18 1. San. Sit. Halkapınar	0232 458 39 40
İzmir	Boro Cıvata	1203 Sok. Baltalı İş Merkezi C Blok. No: 18/C Yenisehir	0232 469 80 72
İzmir	Doruk Hırdavat	1426 Sok. No: 14 Hurdacılar Sitesi Doğanlar Bornova	0232 478 14 12
Kahramanmaraş	Bayram Bobinaj	Menderes mah. Girne Cad. No: 82	0344 281 08 26
Karabük	Damla Elektrik Bobinaj	Hürriyet Mah. Aktaş Cad. No: 17/B	0370 412 77 00
Karaman	Özüm Elektrik Bobinaj	Yeni San. Sit. 735. Sok. No: 2	0338 212 32 69
Kastamonu	Teknik Bobinaj	İnönü Mah. İnebulu Cad. No: 132	0366 212 62 26
Kayseri	Akın Elektrik Bobinaj	Eski San. Bölgesi 5. Cad. No: 8	0352 336 41 23
Kayseri	Akın Elektrik Bobinaj Şube	Ağaç İşleri San. Sit. 29. Cad. No:84 Melikgazi	0352 311 41 74
Kocaeli	Gülsoy Bobinaj	S. Orhan Mah. İlyas Bey Cad. 1111 Sok. No: 5/1 Gebze	0262 646 92 49
Kocaeli	Teknik Karot	Gasızlar Mah. İbrahimpaşa Cad. No: 159/A Gebze	0262 642 26 86
Kocaeli	Efe Elektrik Bobinaj	Körfez San. Sit. 12. Blok No: 11	0262 335 18 94
Konya	Sözönerler Bobinaj	Fevzi Çakmak Mah. Komsan İş Merkezi Anamur 10562 Sok. No: 8	0332 342 63 18
Konya	MEB Murat Elk. Bobinaj	Karatay San. Sit. Fatih Mah. Çiçekli Sok. No: 10	0332 235 64 63
Kütahya	Doğan Bobinaj	Yeni San. Sit. 19. Sok. No: 32	0274 231 22 00
Malatya	Özer Bobinaj	Yeni San. Sit. 2. Cad. No: 95	0422 336 39 53
Manisa	Çavuş Bobinaj	Kurtuluş Mah. Fatih Cad. No: 44/A Soma	0236 614 13 78
Mersin	Coşkun Bobinaj	Mahmudiye Mah. 4810 sok. No: 68 Akdeniz	0324 337 31 61
Mersin	Üniversal Bobinaj	Yeni Mah. Çiftçiler Cad. No:12/B Akdeniz	0324 233 44 29
Muğla	Başaran Teknik	Beldibi Cad. Sanayi Girişi No: 5/C Marmaris	0252 419 20 29
Muğla	General Elektrik Bobinaj	Tuzla Mah. Adnan Menderes Bulvarı No: 37/A	0252 612 38 34
Muğla	Özseker Bobinaj	San. Sit. Demiröz Sok. No: 3 Bodrum	0252 313 11 02
Neşehir	Çiftğöç Soğutma	Yeni San. Sit 8 Blok No: 28	0384 213 19 96
Niğde	Emek Motor	Eski San. Çarşısı 1. Blok No: 2	0388 232 83 59
Sakarya	Engin Elektrik Bobinaj	Maltepe Mah. Orhan Gazi Cad. Şehit Metin Akkuş Sok. No: 19	0264 291 05 67
Samsun	Akış Bobinaj	Ülüs Cad. San. Sit. Keresteciler Kısmı No: 40	0362 238 07 23
Sivas	Bayraktar Elektrik	Camii Kebir Mah. Mahkemecarşısı Cad. No:40/C	0346 221 47 55
Şanlıurfa	Ay Elektrik	Samsat Kapiyaşaroglu Garajı No: 7	0414 215 74 76
Tekirdağ	Birkan Teknik	Şehsinan Mah. Ereğli Sok. No: 25	0282 654 50 91
Tekirdağ	Çetin Elektrik Bobinaj	100. Yıl San. Sit. 14B Blok No: 10	0282 263 86 60
Tokat	Çetin Elektrik Bobinaj	San. Sit. Camii Altı No: 22	0356 214 63 07
Trabzon	Akçay Bobinaj Makina	Yaylacık Mah. Tosun San Sit No: 3 Akçaabat	0462 227 54 26
Trabzon	Makina Market	Rize Cad. No: 71 Değirmendere	0462 328 14 80
Uşak	Zengin Bobinaj	İslicce Mah. Ş. İbrahim Aydın Sok. No:12	0276 227 27 46
Van	Özen Elektrik Bobinaj	Vali Mithatbey Mah. Koçbey Cad. Armoni İş Merkezi No: 23	0432 214 22 27
Yalova	Deniz El. Ser. Hizmetleri	Hürriyet Mah. Devlet Yolu Üzeri No: 54/1	0226 461 22 43
Zonguldak	Aytekin Elektrik	Kışla San. Sit. 1 Blok No: 24 Kdz. Ereğli	0372 316 39 71

**GB** WARRANTY CARD

**BY** ГАРАНТЫЙНЫЙ ТАЛОН

**RUS** ГАРАНТИЙНЫЙ ТАЛОН

**KZ** КЕПІЛДІК ТАЛОН

**UA** ГАРАНТІЙНИЙ ТАЛОН

**UZ** ГАРАНТИЯ ЧИПТАСИ



**GB** months

**BY** месяцы

**RUS** месяца

**KZ** ай

**UA** місяці

**24**

**UZ** ой

<b>GB</b> Serial No.	Date of sale	Selling stamp, Signature
<b>RUS</b> Серийный номер	Дата продажи	Печать и подпись торговой организации
<b>UA</b> Серійний номер	Дата продажу	Печатка та підпис торгівельної організації
<b>BY</b> Серийны нумар	Дата продажы	Пячатка і подпіс гандлёвай установы
<b>KZ</b> Сериялық нөмір	Сату күні	Сауда ұйымының мөрі мен қолтанбасы
<b>UZ</b> Серия сони	Сотилган куни	Савдо корхонанинг мухр ва имзоси

№ 1

Order No. / Заказ № / Замовлення №

Date of receipt/ Дата поступления/ Дата прийому

Date of receipt/ Дата выдачи/ Дата видання

Stamp and signature of the service centre/  
Печать и подпись сервисного центра/  
Печатка та підпис сервісного центру

№ 1

Order No. / Заказ № / Замовлення №

Date of receipt/ Дата поступления/ Дата прийому

Stamp and signature of the service centre/  
Печать и подпись сервисного центра/  
Печатка та підпис сервісного центру

№ 2

Order No. / Заказ № / Замовлення №

Date of receipt/ Дата поступления/ Дата прийому

Date of receipt/ Дата выдачи/ Дата видання

Stamp and signature of the service centre/  
Печать и подпись сервисного центра/  
Печатка та підпис сервісного центру

№ 2

Order No. / Заказ № / Замовлення №

Date of receipt/ Дата поступления/ Дата прийому

Stamp and signature of the service centre/  
Печать и подпись сервисного центра/  
Печатка та підпис сервісного центру

№ 3

Order No. / Заказ № / Замовлення №

Date of receipt/ Дата поступления/ Дата прийому

Date of receipt/ Дата выдачи/ Дата видання

Stamp and signature of the service centre/  
Печать и подпись сервисного центра/  
Печатка та підпис сервісного центру

№ 3

Order No. / Заказ № / Замовлення №

Date of receipt/ Дата поступления/ Дата прийому

Stamp and signature of the service centre/  
Печать и подпись сервисного центра/  
Печатка та підпис сервісного центру

№ 4

Order No. / Заказ № / Замовлення №

Date of receipt/ Дата поступления/ Дата прийому

Date of receipt/ Дата выдачи/ Дата видання

Stamp and signature of the service centre/  
Печать и подпись сервисного центра/  
Печатка та підпис сервісного центру

№ 4

Order No. / Заказ № / Замовлення №

Date of receipt/ Дата поступления/ Дата прийому

Stamp and signature of the service centre/  
Печать и подпись сервисного центра/  
Печатка та підпис сервісного центру

№ 4	№ 3	№ 2	№ 1
Заказ №/Талсырыс №/Буюртма №	Заказ №/Талсырыс №/Буюртма №	Заказ №/Талсырыс №/Буюртма №	Заказ №/Талсырыс №/Буюртма №
Дата прыемки/Кабылдау күні/Кабул килинган күни	Дата прыемки/Кабылдау күні/Кабул килинган күни	Дата прыемки/Кабылдау күні/Кабул килинган күни	Дата прыемки/Кабылдау күні/Кабул килинган күни
Дата выдачы/Беру күні/Кайтарыб берилган күни	Дата выдачы/Беру күні/Кайтарыб берилган күни	Дата выдачы/Беру күні/Кайтарыб берилган күни	Дата выдачы/Беру күні/Кайтарыб берилган күни
Пачатка і подпіс сэрвіснага цэнтра/ Сервіс орталыгының мөрі мен колтанбасы/ Сервіс марказининг мухр ва имзоси	Пачатка і подпіс сэрвіснага цэнтра/ Сервіс орталыгының мөрі мен колтанбасы/ Сервіс марказининг мухр ва имзоси	Пачатка і подпіс сэрвіснага цэнтра/ Сервіс орталыгының мөрі мен колтанбасы/ Сервіс марказининг мухр ва имзоси	Пачатка і подпіс сэрвіснага цэнтра/ Сервіс орталыгының мөрі мен колтанбасы/ Сервіс марказининг мухр ва имзоси
----- № 4	----- № 3	----- № 2	----- № 1
Заказ №/Талсырыс №/Буюртма №	Заказ №/Талсырыс №/Буюртма №	Заказ №/Талсырыс №/Буюртма №	Заказ №/Талсырыс №/Буюртма №
Дата прыемки/Кабылдау күні/Кабул килинган күни	Дата прыемки/Кабылдау күні/Кабул килинган күни	Дата прыемки/Кабылдау күні/Кабул килинган күни	Дата прыемки/Кабылдау күні/Кабул килинган күни



# АВТОРИЗОВАННЫЕ СЕРВИСНЫЕ ЦЕНТРЫ



Сервисная сеть BLACK+DECKER постоянно расширяется.  
Информацию об обслуживании в других городах Вы можете получить по телефонам  
в Москве: (495) 258 39 81/2/3, в Киеве: (044) 238 95 94, [www.blackanddecker.ru](http://www.blackanddecker.ru)

---

„Исправный и полностью укомплектованный товар получил(а), с гарантийными условиями ознакомлен(а)/  
Справний та повністю укомплектований товар отримав(ла), з гарантійними забор'язаннями ознайомлен(а)/  
Спра ны і по насцю укомплектаваны тавар атрыма(ла), з гарантійнымі умовамі азнаёмлены(а)/  
Т зу ж не толы жина тал ан тауар абылдадым, кепілдік шарттарымен таныстым/  
Т затилган ва тулик комплектли махсулотни олдим, гарантия шартлари билан танишиб чикдим“

---

Подпись покупателя/ Підпис покупця/ Подпис закупника/ Сатып алушыны олтанбасы/ Хариддорнинз имзоси

## İTHALATÇI FİRMA

Ünvanı	: Kale Hırdavat ve Makina A.Ş.
Adresi	: Defterdar Mah. Savaklar Cad. No:15 Edirnekapı - Eyüp / İSTANBUL
Telefon No.	: (0212) 533 52 55 (Pbx)
Faks No.	: (0212) 533 10 05
E-mail	: info@kalemakina.com



## ÜRÜNÜN

Cinsi	:
Markası	: BLACK+DECKER
Modeli	:
Seri Numarası	:
Garanti Süresi	: 2 YIL
Azami Tamir Süresi	: 20 İŞ GÜNÜ

## SATICI FİRMANIN

Ünvanı	:
Adresi	:
Telefon No.	:
Faks No.	:
Fatura Tarih ve No.	:
Ürün Teslim Tarihi	:
Ürün Teslim Yeri	:
Belgeyi Dolduranın Adı Soyadı :	:

Kaşe - Yetkili İmza

## GARANTİ ŞARTLARI

- Garanti süresi, malın teslim tarihinden itibaren başlar ve 2 yıldır.
- Malın bütün parçaları dahil olmak üzere tamamı firmamızın garantisine kapsamındadır.
- Malın ayıplı olduğunun anlaşılması durumunda tüketici, 6502 sayılı Tüketicinin Korunması Hakkında Kanununun 11 inci maddesinde yer alan;
  - a- Sözleşmeden dönme,
  - b-Satış bedelinden indirim isteme
  - c-Ücretsiz onarılmasını isteme
  - d-Satılanın ayıpsız bir misli ile değiştirilmesini isteme,haklarından birini kullanabilir.
- Tüketicinin bu haklardan ücretsiz onarım hakkını seçmesi durumunda satıcı; işçilik masrafı, değiştirilen parça bedeli ya da başka herhangi bir ad altında hiçbir ücret talep etmeksizin malın onarımını yapmak veya yaptırmakla yükümlüdür. Tüketici ücretsiz onarım hakkını üretici veya ithalatçıya karşı da kullanabilir.  
Satıcı, üretici ve ithalatçı tüketicinin bu hakkını kullanmasından müteselsilen sorumludur.
- Tüketicinin, ücretsiz onarım hakkını kullanması halinde malın;
  - Garanti süresi içinde tekrar arızalanması,
  - Tamiri için gereken azami sürenin aşılması,
  - Tamirinin mümkün olmadığı için, yetkili servis istasyonu, satıcı, üretici veya ithalatçı tarafından bir raporla belirlenmesidurumlarında; tüketici malın bedel iadesini, ayp oranında bedel indirimini veya imkan varsa malın ayıpsız misli ile değiştirilmesini satıcıdan talep edebilir.
- Satıcı, tüketicinin talebini reddedemez. Bu talebin yerine getirilmemesi durumunda satıcı, üretici ve ithalatçı müteselsilen sorumludur.
- Malın tamir süresi 20 iş gününü geçemez. Bu süre, garanti süresi içerisinde mala ilişkin arızanın yetkili servis istasyonuna veya satıcıya bildiri tarihinde, garanti süresi dışında ise malın yetkili servis istasyonuna teslim tarihinden itibaren başlar. Malın arızasının 10 iş günü içerisinde giderilmemesi halinde, üretici veya ithalatçı; malın tamiri tamamlanıncaya kadar, benzer özelliklere sahip başka bir malı tüketicinin kullanımına tahsis etmek zorundadır. Malın garanti süresi içerisinde arızalanması durumunda, tamirde geçen süre garanti süresine eklenir.
- Malın kullanma kılavuzunda yer alan hususlara aykırı kullanılmasından kaynaklanan arızalar garanti kapsamı dışındadır.
  - Garanti kapsam şartları ;
    - a-Ürün hatalı kullanılmamıştır.
    - b-Ürün yıpranmamış, hırpalanmamış ve aşınmamıştır.
    - c-Yetkili olmayan kişilerce tamire çalışılmamıştır.
    - d-Satın alma belgesi (fatura) ibraz edilmiştir.
    - e-Ürün, tüm orijinal parçaları ile iade edilmiştir.
- Tüketici, garantiden doğan haklarının kullanılması ile ilgili olarak çıkabilecek uyuşmazlıklarda yerleşim yerinin bulunduğu veya tüketici işleminin yapıldığı yerdeki Tüketici Hakem Heyetine veya Tüketici Mahkemesine başvurabilir.
- Satıcı tarafından bu Garanti Belgesinin verilmemesi durumunda, tüketici Gümrük ve Ticaret Bakanlığı Tüketicinin Korunması ve Piyasa Gözetimi Genel Müdürlüğüne başvurabilir.

EEE Yönetmeliğine uygundur.

# KULLANMA KILAVUZU İÇİN EK BİLGİLER

-Taşıma ve nakliye sırasında dikkat edilecek hususlar;  
Cihazı taşıma ve nakliye esnasında hasar verecek şekilde taşınmamalı, bir yerden bir yere fırlatılmamalı, istifleme yapılırken dikkat edilmeli.

-Gümrük ve Ticaret Bakanlığı uyarınca belirlenen kullanım ömürleri aşağıdaki gibidir;

Testere Makineleri	7 yıl
Polisaj Makineleri	7 yıl
Matkaplar	7 yıl
Vidalama Makineleri	7 yıl
Zımpara Makineleri	7 yıl
Elektrikli Süpürgeler	10 yıl
Jeneratörler	10 yıl
Akümülatörler	5 yıl
Kesintisiz Güç Kaynakları	5 yıl
Dönüştürücüler	3 yıl
Çim-Ot-Çit Kesme Makineleri	5 yıl
Çim Biçme Makineleri	5 yıl
Zincirli Testere Makineleri	5 yıl
Çapalama Makineleri	5 yıl
Araç Buzdolapları	10 yıl
Buharlı Temizlik Makineleri	10 yıl

-Malın ayıplı olduğunun anlaşılması durumunda tüketici, 6502 sayılı Tüketici Korunması Hakkında Kanununun 11 inci maddesinde yer alan;

- Sözleşmeden dönme,
- Satış bedelinden indirim isteme
- Ücretsiz onarılmasını isteme
- Satılanın ayıpsız bir misli ile değiştirilmesini isteme,

haklarından birini kullanabilir.

-Tüketici, garantiden doğan haklarının kullanılması ile ilgili olarak çıkabilecek uyuşmazlıklarda yerleşim yerinin bulunduğu veya tüketici işleminin yapıldığı yerdeki Tüketici Hakem Heyetine veya Tüketici Mahkemesine başvurabilir.



## WARRANTY REGISTRATION CARD

YOUR NAME/ الإسم .....

.....

YOUR ADDRESS العنوان .....

.....

.....

.....

POSTCODE الرمز البريدي .....

.....

DATE OF PURCHASE تاريخ الشراء .....

.....

DEALER'S NAME & ADDRESS/ إسم و عنوان البائع .....

.....

.....

PRODUCT MODEL NO. KA2000, KA2500

02.2016

90634383

