

KG711
KG911
KG912
KG752

www.blackanddecker.eu

EN

DE

FR

IT

NL

ES

PT

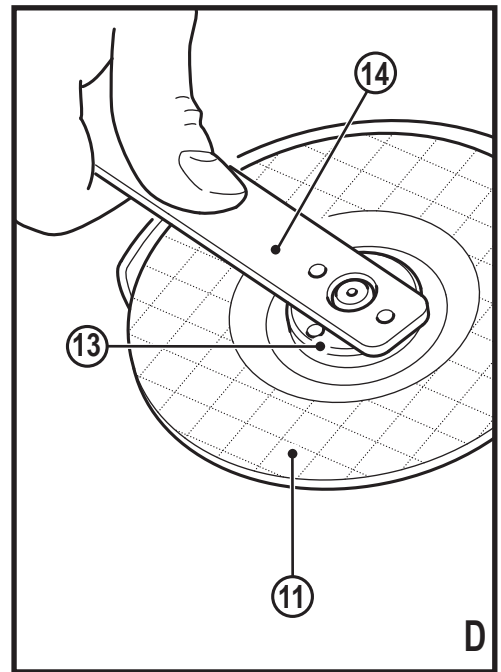
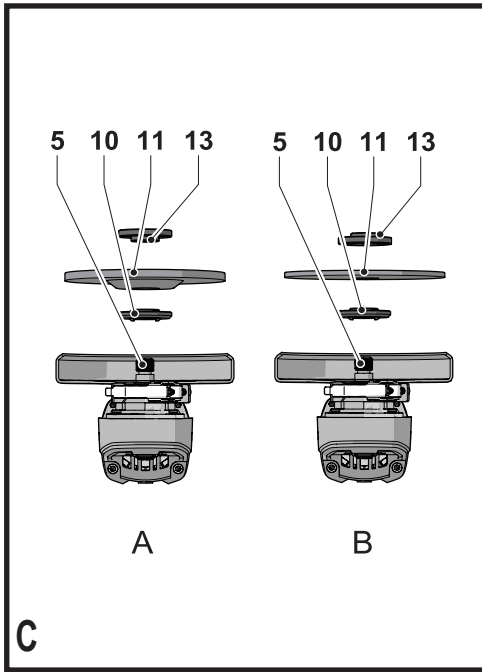
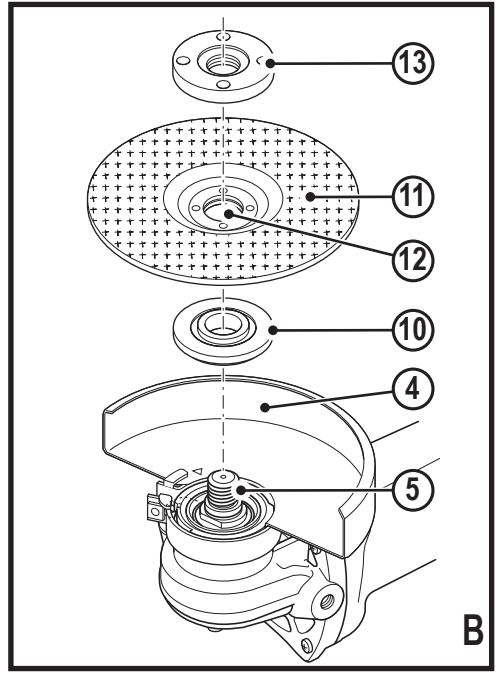
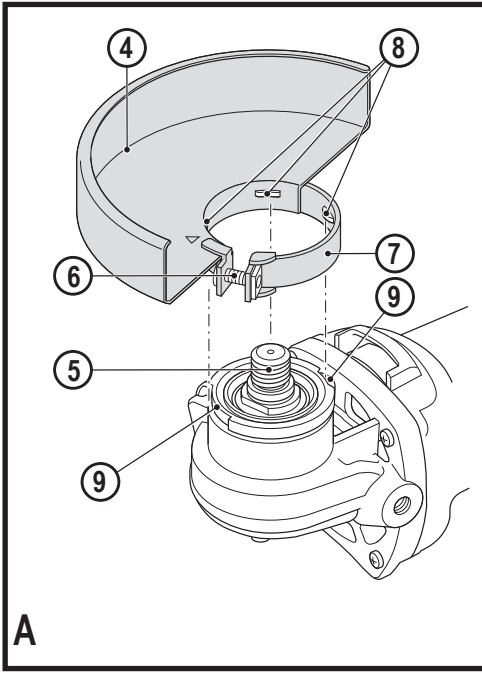
SV

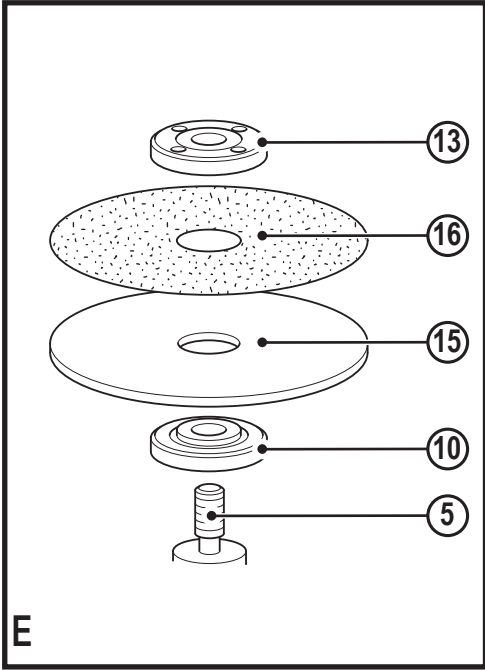
NO

DK

FI

EL





Intended use

Your BLACK+DECKER KG711, KG911, KG912, KG752 angle grinders have been designed for grinding and cutting metal and masonry using the appropriate type of cutting or grinding disc. When fitted with the appropriate guard, this tool is intended for consumer use only.

Safety instructions

General power tool safety warnings



Warning! Read all safety warnings and all instructions. Failure to follow the warnings and instructions listed below may result in electric shock, fire and/or serious injury.

Save all warnings and instructions for future reference.

The term "power tool" in all of the warnings listed below refers to your mains operated (corded) power tool or battery operated (cordless) power tool.

1. **Work area safety**
 - a. **Keep work area clean and well lit.** Cluttered or dark areas invite accidents.
 - b. **Do not operate power tools in explosive atmospheres, such as in the presence of flammable liquids, gases or dust.** Power tools create sparks which may ignite the dust or fumes.
 - c. **Keep children and bystanders away while operating a power tool.** Distractions can cause you to lose control.
2. **Electrical safety**
 - a. **Power tool plugs must match the outlet. Never modify the plug in any way. Do not use any adapter plugs with earthed (grounded) power tools.** Unmodified plugs and matching outlets will reduce risk of electric shock.
 - b. **Avoid body contact with earthed or grounded surfaces such as pipes, radiators, ranges and refrigerators.** There is an increased risk of electric shock if your body is earthed or grounded.
 - c. **Do not expose power tools to rain or wet conditions.** Water entering a power tool will increase the risk of electric shock.
 - d. **Do not abuse the cord. Never use the cord for carrying, pulling or unplugging the power tool. Keep cord away from heat, oil, sharp edges or moving parts.** Damaged or entangled cords increase the risk of electric shock.
 - e. **When operating a power tool outdoors, use an extension cord suitable for outdoor use.** Use of a cord suitable for outdoor use reduces the risk of electric shock.
 - f. **If operating a power tool in a damp location is unavoidable, use a residual current device (RCD) protected supply.** Use of an RCD reduces the risk of electric shock.
3. **Personal safety**
 - a. **Stay alert, watch what you are doing and use common sense when operating a power tool. Do not use a power tool while you are tired or under the influence of drugs, alcohol or medication.** A moment of inattention while operating power tools may result in serious personal injury.
 - b. **Use personal protective equipment. Always wear eye protection.** Protective equipment such as dust mask, non-skid safety shoes, hard hat, or hearing protection used for appropriate conditions will reduce personal injuries.
 - c. **Prevent unintentional starting. Ensure the switch is in the off-position before connecting to power source and/or battery pack, picking up or carrying the tool.** Carrying power tools with your finger on the switch or energising power tools that have the switch on invites accidents.
 - d. **Remove any adjusting key or wrench before turning the power tool on.** A wrench or a key left attached to a rotating part of the power tool may result in personal injury.
 - e. **Do not overreach. Keep proper footing and balance at all times.** This enables better control of the power tool in unexpected situations.
 - f. **Dress properly. Do not wear loose clothing or jewellery. Keep your hair, clothing and gloves away from moving parts.** Loose clothes, jewellery or long hair can be caught in moving parts.
 - g. **If devices are provided for the connection of dust extraction and collection facilities, ensure these are connected and properly used.** Use of dust collection can reduce dust-related hazards.
4. **Power tool use and care**
 - a. **Do not force the power tool. Use the correct power tool for your application.** The correct power tool will do the job better and safer at the rate for which it was designed.
 - b. **Do not use the power tool if the switch does not turn it on and off.** Any power tool that cannot be controlled with the switch is dangerous and must be repaired.
 - c. **Disconnect the plug from the power source and/or the battery pack from the power tool before making any adjustments, changing accessories, or storing power tools.** Such preventive safety measures reduce the risk of starting the power tool accidentally.

- d. **Store idle power tools out of the reach of children and do not allow persons unfamiliar with the power tool or these instructions to operate the power tool.** Power tools are dangerous in the hands of untrained users.
 - e. **Maintain power tools. Check for misalignment or binding of moving parts, breakage of parts and any other condition that may affect the power tools operation. If damaged, have the power tool repaired before use.** Many accidents are caused by poorly maintained power tools.
 - f. **Keep cutting tools sharp and clean.** Properly maintained cutting tools with sharp cutting edges are less likely to bind and are easier to control.
 - g. **Use the power tool, accessories and tool bits etc. in accordance with these instructions, taking into account the working conditions and the work to be performed.** Use of the power tool for operations different from those intended could result in a hazardous situation.
5. **Service**
- a. **Have your power tool serviced by a qualified repair person using only identical replacement parts.** This will ensure that the safety of the power tool is maintained.

Additional power tool safety warnings



Warning! Additional safety warnings for grinding, sanding, polishing or abrasive cutting-off operations

- ◆ **This power tool is intended to function as a grinder, sander, polisher or cut-off tool. Read all safety warnings, instructions, illustrations and specifications provided with this power tool.** Failure to follow all instructions listed below may result in electric shock, fire and/or serious injury.
- ◆ **Operations for which the power tool was not designed may create a hazard and cause personal injury.**
- ◆ **Do not use accessories which are not specifically designed and recommended by the tool manufacturer.** Just because the accessory can be attached to your power tool, it does not assure safe operation.
- ◆ **The rated speed of the accessory must be at least equal to the maximum speed marked on the power tool.** Accessories running faster than their rated speed can break and fly apart.
- ◆ **The outside diameter and the thickness of your accessory must be within the capacity rating of your power tool.** Incorrectly sized accessories cannot be adequately guarded or controlled.
- ◆ **Threaded mounting of accessories must match the grinder spindle thread. For accessories mounted by flanges, the arbour hole of the accessory must fit the locating diameter of the flange.** Accessories that do not match the mounting hardware of the power tool will run out of balance, vibrate excessively and may cause loss of control.
- ◆ **Do not use a damaged accessory. Before each use inspect the accessory such as abrasive wheels for chips and cracks, backing pad for cracks, tear or excess wear, for loose or cracked wires. If power tool or accessory is dropped, inspect for damage or install an undamaged accessory. After inspecting and installing an accessory and run the power tool at maximum no-load speed for one minute.** Damaged accessories will normally break apart during this test time.
- ◆ **Wear personal protective equipment. Depending on application, use face shield, safety goggles or safety glasses. As appropriate, wear dust mask, hearing protectors, gloves and workshop apron capable of stopping small abrasive or workpiece fragments.** The eye protection must be capable of stopping flying debris generated by various operations. The dust mask or respirator must be capable of filtering particles generated by your operation. Prolonged exposure to high intensity noise may cause hearing loss.
- ◆ **Keep bystanders a safe distance away from work area. Anyone entering the work area must wear personal protective equipment.** Fragments of workpiece or of a broken accessory may fly away and cause injury beyond immediate area of operation.
- ◆ **Hold power tool by insulated gripping surfaces only, when performing an operation where the cutting accessory may contact hidden wiring or its own cord.** Cutting accessory contacting a "live" wire may make exposed metal parts of the power tool "live" and could give the operator an electric shock.
- ◆ **Position the cord clear of the spinning accessory.** If you lose control, the cord may be cut or snagged and your hand or arm may be pulled into the spinning accessory.
- ◆ **Never lay the power tool down until the accessory has come to a complete stop.** The spinning accessory may grab the surface and pull the power tool out of your control.
- ◆ **Do not run the power tool while carrying it at your side.** Accidental contact with the spinning accessory could snag your clothing, pulling the accessory into your body.
- ◆ **Regularly clean the power tool's air vents.** The motor's fan will draw the dust inside the housing and excessive accumulation of powdered metal may cause electrical hazards.
- ◆ **Do not operate the power tool near flammable materials.** Sparks could ignite these materials.
- ◆ **Do not use accessories that require liquid coolants.**

Using water or other liquid coolants may result in electrocution or shock.

Note: The above warning does not apply for power tools specifically designed for use with a liquid system.

Kickback and related warnings

Kickback is a sudden reaction to a pinched or snagged rotating wheel, backing pad, brush or any other accessory. Pinching or snagging causes rapid stalling of the rotating accessory which in turn causes the uncontrolled power tool to be forced in the direction opposite of the accessory's rotation at the point of the binding.

For example, if an abrasive wheel is snagged or pinched by the workpiece, the edge of the wheel that is entering into the pinch point can dig into the surface of the material causing the wheel to climb out or kick out. The wheel may either jump toward or away from the operator, depending on direction of the wheel's movement at the point of pinching.

Abrasive wheels may also break under these conditions.

Kickback is the result of power tool misuse and/or incorrect operating procedures or conditions and can be avoided by taking proper precautions as given below.

- ◆ **Maintain a firm grip on the power tool and position your body and arm to allow you to resist kickback forces. Always use auxiliary handle, if provided, for maximum control over kickback or torque reaction during start-up.** The operator can control torque reactions or kickback forces, if proper precautions are taken.
- ◆ **Never place your hand near the rotating accessory.** Accessory may kickback over your hand.
- ◆ **Do not position your body in the area where power tool will move if kickback occurs.** Kickback will propel the tool in direction opposite to the wheel's movement at the point of snagging.
- ◆ **Use special care when working corners, sharp edges etc. Avoid bouncing and snagging the accessory.** Corners, sharp edges or bouncing have a tendency to snag the rotating accessory and cause loss of control or kickback.
- ◆ **Do not attach a saw chain woodcarving blade or toothed saw blade.** Such blades create frequent kickback and loss of control.

Safety warnings specific for grinding and abrasive cutting-off operations

- ◆ **Use only wheel types that are recommended for your power tool and the specific guard designed for the selected wheel.** Wheels for which the power tool was not designed cannot be adequately guarded and are unsafe.

- ◆ **The grinding surface of centre depressed wheels must be mounted below the plane of the guard lip.** An improperly mounted wheel that projects through the plane of the guard lip cannot be adequately protected.
- ◆ **The guard must be securely attached to the power tool and positioned for maximum safety, so the least amount of wheel is exposed towards the operator.** The guard helps to protect operator from broken wheel fragments, accidental contact with wheel and sparks that could ignite clothing.
- ◆ **Wheels must be used only for recommended applications. For example: do not grind with the side of cut-off wheel.** Abrasive cut-off wheels are intended for peripheral grinding, side forces applied to these wheels may cause them to shatter.
- ◆ **Always use undamaged wheel flanges that are of correct size and shape for your selected wheel.** Proper wheel flanges support the wheel thus reducing the possibility of wheel breakage. Flanges for cut-off wheels may be different from grinding wheel flanges.
- ◆ **Do not use worn down wheels from larger power tools.** Wheel intended for larger power tool is not suitable for the higher speed of a smaller tool and may burst.

Additional safety warnings specific for abrasive cutting-off operations

- ◆ **Do not "jam" the cut-off wheel or apply excessive pressure. Do not attempt to make an excessive depth of cut.** Over stressing the wheel increases the loading and susceptibility to twisting or binding of the wheel in the cut and the possibility of kickback or wheel breakage.
- ◆ **Do not position your body in line with and behind the rotating wheel.** When the wheel, at the point of operation, is moving away from your body, the possible kickback may propel the spinning wheel and the power tool directly at you.
- ◆ **When wheel is binding or when interrupting a cut for any reason, switch off the power tool and hold the power tool motionless until the wheel comes to a complete stop. Never attempt to remove the cut-off wheel from the cut while the wheel is in motion otherwise kickback may occur.** Investigate and take corrective action to eliminate the cause of wheel binding.
- ◆ **Do not restart the cutting operation in the workpiece. Let the wheel reach full speed and carefully re-enter the cut.** The wheel may bind, walk up or kickback if the power tool is restarted in the workpiece.
- ◆ **Support panels or any oversized workpiece to minimize the risk of wheel pinching and kickback.** Large workpieces tend to sag under their own weight. Supports must be placed under the workpiece near the line of cut and near the edge of the workpiece on both sides of the wheel.

- ◆ Use extra caution when making a "pocket cut" into existing walls or other blind areas. The protruding wheel may cut gas or water pipes, electrical wiring or objects that can cause kickback.

Safety warnings specific for sanding operations

- ◆ Do not use excessively oversized sanding disc paper. Follow manufacturers recommendations, when selecting sanding paper. Larger sanding paper extending beyond the sanding pad presents a laceration hazard and may cause snagging, tearing of the disc or kickback.

Safety warnings specific for polishing operations

- ◆ Do not allow any loose portion of the polishing bonnet or its attachment strings to spin freely. Tuck away or trim any loose attachment strings. Loose and spinning attachment strings can entangle your fingers or snag on the workpiece.

Safety of others

- ◆ This appliance is not intended for use by persons (including children) with reduced physical, sensory or mental capabilities, or lack of experience and knowledge, unless they have been given supervision or instruction concerning use of the appliance by a person responsible for their safety.
- ◆ Children should be supervised to ensure that they do not play with the appliance.

Residual risks.

Additional residual risks may arise when using the tool which may not be included in the enclosed safety warnings. These risks can arise from misuse, prolonged use etc. Even with the application of the relevant safety regulations and the implementation of safety devices, certain residual risks can not be avoided. These include:

- ◆ Injuries caused by touching any rotating/moving parts.
- ◆ Injuries caused when changing any parts, blades or accessories.
- ◆ Injuries caused by prolonged use of a tool. When using any tool for prolonged periods ensure you take regular breaks.
- ◆ Impairment of hearing.
- ◆ Health hazards caused by breathing dust developed when using your tool (example:- working with wood, especially oak, beech and MDF.)

Vibration

The declared vibration emission values stated in the technical data and the declaration of conformity have been measured in accordance with a standard test method provided by EN60745

and may be used for comparing one tool with another. The declared vibration emission value may also be used in a preliminary assessment of exposure.

Warning! The vibration emission value during actual use of the power tool can differ from the declared value depending on the ways in which the tool is used. The vibration level may increase above the level stated. When assessing vibration exposure to determine safety measures required by 2002/44/EC to protect persons regularly using power tools in employment, an estimation of vibration exposure should consider, the actual conditions of use and the way the tool is used, including taking account of all parts of the operating cycle such as the times when the tool is switched off and when it is running idle in addition to the trigger time.

Labels on tool

The following pictograms are shown on the tool along with the date code:



Warning! To reduce the risk of injury, the user must read the instruction manual.



Wear safety glasses or goggles when operating this tool.



Wear ear protection when operating this tool.

Electrical safety



This tool is double insulated; therefore no earth wire is required. Always check that the power supply corresponds to the voltage on the rating plate.

- ◆ If the supply cord is damaged, it must be replaced by the manufacturer or an authorised BLACK+DECKER Service Centre in order to avoid a hazard.

Features

This tool includes some or all of the following features.

1. On/off switch
2. Side handle
3. Spindle lock
4. Guard

Assembly

Warning! Before assembly, make sure that the tool is switched off and unplugged.

Fitting and removing the guard (fig. A)

The tool is supplied with a guard intended for grinding purposes only. If the unit is intended to perform cutting operations, a guard specific for this operation must be fitted. A suitable

guard for cutting operations part numbers 1004702-27 and 1004702-28 for KG711/KG911 and KG912/KG752 is available and can be obtained from BLACK+DECKER service centres.

Fitting and removing the guard (fig. A)

KG912 Only

The tool is supplied with a guard intended for cutting off purposes only. If the unit is intended to perform grinding operations, a guard specific for this operation must be fitted. A suitable guard for grinding operations part number 1004702-36 is available and can be obtained from BLACK & DECKER service centres.

Fitting

- ◆ Place the angle grinder on a table, spindle (5) up.
- ◆ Align the lugs (8) with the notches (9).
- ◆ Press the guard (4) down and rotate it to the required position.
- ◆ Securely tighten the screw (6).
- ◆ To remove the guard, slacken the screw

Warning! Never use the tool without the guard.

Fitting the side handle

- ◆ Screw the side handle (2) into one of the mounting holes in the tool.

Warning! Always use the side handle.

Fitting and removing grinding or cutting discs (fig. B - D)

Always use the correct type of disc for your application.

Always use discs with the correct diameter and bore size (see technical data).

Fitting

- ◆ Fit the guard as described above.
- ◆ Place the inner flange (10) onto the spindle (5) as shown (fig. B). Make sure that the flange is correctly located on the flat sides of the spindle.
- ◆ Place the disc (11) onto the spindle (5) as shown (fig. B). If the disc has a raised centre (12), make sure that the raised centre faces the inner flange.
- ◆ Make sure that the disc locates correctly on the inner flange.
- ◆ Place the outer flange (13) onto the spindle. When fitting a grinding disc, the raised centre on the outer flange must face towards the disc (A in fig. C). When fitting a cutting disc, the raised centre on the outer flange must face away from the disc (B in fig. C).
- ◆ Keep the spindle lock (3) depressed and tighten the outer flange using the two-pin spanner (14) (fig. D).

Removing

- ◆ Keep the spindle lock (3) depressed and loosen the outer flange (13) using the two-pin spanner (14) (fig. D).
- ◆ Remove the outer flange (13) and the disc (11).

Fitting and removing sanding discs (fig. D & E)

For sanding, a backing pad is required. The backing pad is available from your BLACK+DECKER dealer as an accessory.

Fitting

- ◆ Place the inner flange (10) onto the spindle (5) as shown (fig. E). Make sure that the flange is correctly located on the flat sides of the spindle.
- ◆ Place the backing pad (15) onto the spindle.
- ◆ Place the sanding disc (16) onto the backing pad.
- ◆ Place the outer flange (13) onto the spindle with the raised centre facing away from the disc.
- ◆ Keep the spindle lock (3) depressed and tighten the outer flange using the two-pin spanner (14) (fig. D). Make sure that the outer flange is fitted correctly and that the disc is clamped tightly.

Removing

- ◆ Keep the spindle lock (3) depressed and loosen the outer flange (13) using the two-pin spanner (14) (fig. D).
- ◆ Remove the outer flange (13), the sanding disc (16) and the backing pad (15).

Use

Warning! Let the tool work at its own pace. Do not overload.

- ◆ Carefully guide the cable in order to avoid accidentally cutting it.
- ◆ Be prepared for a stream of sparks when the grinding or cutting disc touches the workpiece.
- ◆ Always position the tool in such a way that the guard provides optimum protection from the grinding or cutting disc.

Switching on and off

- ◆ To switch on, slide the on/off switch (1) forward. Note that the tool will continue running when you release the switch.
- ◆ To switch off, press the rear part of the on/off switch.

Warning! Do not switch the tool off while under load.

Soft Start Feature

The soft start feature allows a slow speed build-up to avoid an initial jerk when starting. This feature is particularly useful when working in confined spaces.

No-Volt

The No-volt function stops the grinder restarting without the switch being cycled if there is a break in the power supply.

Hints for optimum use

- ◆ Firmly hold the tool with one hand around the side handle and the other hand around the main handle.
- ◆ When grinding, always maintain an angle of approx. 15° between the disc and the workpiece surface.

Maintenance

Your BLACK+DECKER corded/cordless appliance/tool has been designed to operate over a long period of time with a minimum of maintenance. Continuous satisfactory operation depends upon proper tool care and regular cleaning.

Warning! Before performing any maintenance on corded/cordless power tools:

- ◆ Switch off and unplug the appliance/tool.
- ◆ Or switch off and remove the battery from the appliance/tool if the appliance/tool has a separate battery pack.
- ◆ Or run the battery down completely if it is integral and then switch off.
- ◆ Unplug the charger before cleaning it. Your charger does not require any maintenance apart from regular cleaning.
- ◆ Regularly clean the ventilation slots in your appliance/tool/charger using a soft brush or dry cloth.
- ◆ Regularly clean the motor housing using a damp cloth. Do not use any abrasive or solvent-based cleaner.
- ◆ Regularly open the chuck and tap it to remove any dust from the interior (when fitted).

Mains plug replacement (U.K. & Ireland only)

If a new mains plug needs to be fitted:

- ◆ Safely dispose of the old plug.
- ◆ Connect the brown lead to the live terminal in the new plug.
- ◆ Connect the blue lead to the neutral terminal.

Warning! No connection is to be made to the earth terminal.

Follow the fitting instructions supplied with good quality plugs. Recommended fuse: 13 A.

Protecting the environment



Separate collection. Products and batteries marked with this symbol must not be disposed of with normal household waste.

Products and batteries contain materials that can be recovered or recycled reducing the demand for raw materials. Please recycle electrical products and batteries according to local provisions.

Technical data

		KG711 (Type 1)
Input voltage	V _{AC}	230
Power input	W	750
Rated speed	min ⁻¹	12,000
Disc diameter	mm	115
Disc bore	mm	22
Max disc thickness		
grinding discs	mm	6
cutting discs	mm	3.5
Spindle size		M14
Weight	kg	2

		KG911-KG912-KG752 (Type 1)
Input voltage	V _{AC}	230
Power input	W	KG911, KG912 = 900W KG752 = 800W
Rated speed	min ⁻¹	12,000
Disc diameter	mm	KG711, KG911 = 115 KG912, KG752 = 125
Disc bore	mm	22
Max disc thickness		
grinding discs	mm	6
cutting discs	mm	3.5
Spindle size		M14
Weight	kg	KG711, KG911, KG752 = 2.1 KG912 = 2.2

		KG711,KG911,KG912
L_{pA} (sound pressure)		92.6 dB(A), Uncertainty (K) 3 dB(A)
L_{WA} (sound power)		103.6 dB(A), Uncertainty (K) 3 dB(A)
Vibration total values (triax vector sum) according to EN60745:		
Surface grinding ($a_{h,SG}$)		9.9 m/s ² , uncertainty (K) 1.5 m/s ²
Cutting-off (a_h)		4.6 m/s ² , uncertainty (K) 1.5 m/s ²
Polishing ($a_{h,p}$)		4.5 m/s ² , uncertainty (K) 1.5 m/s ²
Disc sanding ($a_{h,DS}$)		9.6 m/s ² , uncertainty (K) 1.5 m/s ²

KG752
L_{pA} (sound pressure) 94.5 dB(A), Uncertainty (K) 3 dB(A)
L_{wVA} (sound power) 105.5 dB(A), Uncertainty (K) 3 dB(A)
Vibration total values (triax vector sum) according to EN60745:
Surface grinding ($a_{h,SG}$) 9.9 m/s ² , uncertainty (K) 1.5 m/s ²
Cutting-off (a_h) 9.1 m/s ² , uncertainty (K) 1.5 m/s ²
Polishing ($a_{h,p}$) 5.0 m/s ² , uncertainty (K) 1.5 m/s ²
Disc sanding ($a_{h,DS}$) 3.3 m/s ² , uncertainty (K) 1.5 m/s ²

EC declaration of conformity

MACHINERY DIRECTIVE



KG711, KG911, KG912, KG752 Angle Grinders

Black & Decker declares that these products described under

"technical data" are in compliance with:

2006/42/EC, EN60745-1:2009 +A11:2010;

EN60745-2-3:2011 +A2:2013 +A11:2014 +A12:2014

These products also comply with Directive 2004/108/EC (until 19.04.2016), 2014/30/EU (from 20.04.2016) and 2011/65/EU.

For more information, please contact Black & Decker at the following address or refer to the back of the manual.

The undersigned is responsible for compilation of the technical file and makes this declaration on behalf of Black & Decker.

Ray Laverick

Director of Engineering

Black & Decker Europe, 210 Bath Road, Slough,

Berkshire, SL1 3YD, United Kingdom

25/11/2015

Guarantee

Black & Decker is confident of the quality of its products and offers consumers a 24 month guarantee from the date of purchase. This guarantee is in addition to and in no way prejudices your statutory rights. The guarantee is valid within the territories of the Member States of the European Union and the European Free Trade Area. To claim on the guarantee, the claim must be in accordance with Black&Decker Terms and Conditions and you will need to submit proof of purchase to the seller or an authorised repair agent.

Terms and conditions of the Black&Decker 2 year guarantee and the location of your nearest authorised repair agent can be obtained on the Internet at www.2helpU.com, or by contacting your local Black & Decker office at the address indicated in this manual.

Please visit our website www.blackanddecker.co.uk to register your new Black & Decker product and receive updates on new products and special offers.

Verwendungszweck

Ihr BLACK+DECKER KG711, KG911, KG912, KG752 Winkelschneider wurden zum Schleifen und Schneiden von Metall und Mauerwerk mit dem entsprechenden Typ von Schleif- oder Trennscheibe. Mit dem entsprechenden Schutz versehen, ist dieses Werkzeug nur für den Verbrauchergebrauch vorgesehen.

Sicherheitshinweise

Allgemeine Sicherheitswarnungen für das Gerät



Warnung! Lesen Sie alle Sicherheitswarnhinweise und alle Anweisungen. Die Nichteinhaltung der folgenden Warnungen und Anweisungen kann einen elektrischen Schlag, Brand und/oder schwere Verletzungen verursachen.

Bewahren Sie alle Sicherheitswarnungen und Anweisungen gut auf. Der nachfolgend verwendete Begriff "Gerät" bezieht sich auf netzbetriebene Geräte (mit Netzkabel) und auf akkubetriebene Geräte (ohne Netzkabel).

1. Sicherheit im Arbeitsbereich

- a. **Halten Sie Ihren Arbeitsbereich sauber und gut ausgeleuchtet.** Unaufgeräumte oder dunkle Bereiche begünstigen Unfälle.
- b. **Betreiben Sie das Gerät nicht in Umgebungen, in denen Explosionsgefahr z. B. aufgrund von brennbaren Flüssigkeiten, Gasen oder Staub besteht.** Geräte erzeugen Funken, die den Staub oder die Dämpfe entzünden können.
- c. **Halten Sie Kinder und andere Personen während der Benutzung eines Geräts fern.** Bei Ablenkung können Sie die Kontrolle verlieren.

2. Elektrische Sicherheit

- a. **Der Netzstecker des Geräts muss in die Steckdose passen. Ändern Sie niemals den Stecker in irgendeiner Form. Verwenden Sie keinerlei Adapterstecker an geerdeten Elektrogeräten.** Unveränderte Stecker und passende Steckdosen mindern die Gefahr eines elektrischen Schlages.
- b. **Vermeiden Sie Körperkontakt mit geerdeten Oberflächen von Rohren, Heizungen, Herden und Kühlschränken.** Es besteht eine erhöhte Gefahr für einen elektrischen Schlag, wenn Ihr Körper geerdet ist.
- c. **Halten Sie Geräte von Regen und Nässe fern.** Das Eindringen von Wasser in ein Gerät erhöht das Risiko eines elektrischen Schlages.
- d. **Verwenden Sie das Kabel ordnungsgemäß. Verwenden Sie es niemals zum Tragen. Trennen Sie**

das Gerät nicht durch Ziehen am Kabel vom Netz. Halten Sie das Kabel fern von Hitze, Öl, scharfen Kanten oder beweglichen Teilen. Beschädigte oder verhedderte Kabel erhöhen die Gefahr eines elektrischen Schlages.

- e. **Verwenden Sie nur für den Außenbereich zugelassene Verlängerungskabel, wenn Sie mit dem Gerät im Freien arbeiten.** Die Verwendung eines für den Außenbereich geeigneten Verlängerungskabels verringert das Risiko eines elektrischen Schlages.
 - f. **Wenn das Gerät in einer feuchten Umgebung verwendet werden muss, schließen Sie es unbedingt an eine Steckdose mit Fehlerstromschutzschalter (FI-Schalter) an.** Ein Fehlerstromschutzschalter verringert das Risiko eines elektrischen Schlages.
- ### 3. Sicherheit von Personen
- a. **Seien Sie aufmerksam, achten Sie darauf, was Sie tun, und gehen Sie sachgerecht mit einem Gerät um. Benutzen Sie kein Gerät, wenn Sie müde sind oder unter dem Einfluss von Drogen, Alkohol oder Medikamenten stehen.** Ein Moment der Unachtsamkeit beim Betrieb eines Geräts kann zu schweren Verletzungen führen.
 - b. **Verwenden Sie eine geeignete Schutzausrüstung. Tragen Sie immer einen Augenschutz.** Das Tragen persönlicher Schutzausrüstung, wie Staubmaske, rutschfeste Sicherheitsschuhe, Schutzhelm oder Gehörschutz, je nach Art und Einsatz des Geräts, verringert das Risiko von Verletzungen.
 - c. **Vermeiden Sie eine unbeabsichtigte Inbetriebnahme. Vergewissern Sie sich, dass das Gerät ausgeschaltet ist, bevor Sie es an eine Steckdose oder einen Akku anschließen, es hochheben oder tragen.** Wenn Sie beim Tragen des Geräts den Finger am Schalter haben oder das Gerät eingeschaltet an die Stromversorgung anschließen, kann dies zu Unfällen führen.
 - d. **Entfernen Sie Einstell- oder Schraubenschlüssel, bevor Sie das Gerät einschalten.** Werkzeuge oder Schlüssel, die an rotierenden Teilen des Geräts angebracht sind, können zu Verletzungen führen
 - e. **Beugen Sie sich nicht zu weit nach vorne. Sorgen Sie für einen sicheren Stand und halten Sie jederzeit das Gleichgewicht.** Dadurch können Sie das Gerät in unerwarteten Situationen besser kontrollieren.
 - f. **Tragen Sie geeignete Kleidung. Tragen Sie keine weite Kleidung und keinen Schmuck. Halten Sie Ihre Haare, Kleidung und Handschuhe von beweglichen Teilen fern.** Lose sitzende Kleidung, Schmuck oder lange Haare können sich in den beweglichen Teilen verfangen.
 - g. **Falls Vorrichtungen zum Absaugen oder Auffangen von Staub vorhanden sind, vergewissern Sie sich,**

dass diese angeschlossen sind und richtig verwendet werden. Das Verwenden einer Staubauffangvorrichtung verringert Gefährdungen durch Staub.

Zusätzliche Sicherheitswarnungen für das Gerät



Warnung! Zusätzliche Sicherheitswarnungen zum Schleifen, Schmirgeln, polieren oder abrasiven Abschneidätigkeiten

4. Gebrauch und Pflege von Geräten

- a. **Überlasten Sie das Gerät nicht. Verwenden Sie das für Ihre Arbeit passende Gerät.** Das richtige Gerät wird die Aufgabe besser und sicherer erledigen, wenn es bestimmungsgemäß verwendet wird.
- b. **Verwenden Sie das Gerät nicht, wenn der Ein-/Ausschalter nicht funktioniert.** Ein Gerät, das sich nicht mehr ein- oder ausschalten lässt, ist gefährlich und muss repariert werden.
- c. **Ziehen Sie den Stecker aus der Steckdose, oder trennen Sie das Gerät vom Akku, bevor Sie Einstellungen vornehmen, Zubehörteile wechseln oder das Gerät lagern.** Diese Vorbeugemaßnahmen mindern die Gefahr, dass das Elektrogerät unbeabsichtigt startet.
- d. **Bewahren Sie unbenutzte Geräte außerhalb der Reichweite von Kindern auf. Lassen Sie Geräte nicht von Personen benutzen, die damit nicht vertraut sind oder diese Anweisungen nicht gelesen haben.** Geräte sind in den Händen nicht geschulter Personen gefährlich.
- e. **Halten Sie das Gerät in einem einwandfreien Zustand. Kontrollieren Sie, ob bewegliche Teile falsch ausgerichtet sind oder klemmen und ob Teile gebrochen oder so beschädigt sind, dass die Funktion des Geräts beeinträchtigt ist. Bei Beschädigungen lassen Sie das Gerät reparieren, bevor Sie es verwenden.** Viele Unfälle entstehen wegen mangelnder Wartung der Geräte.
- f. **Halten Sie Schneidgeräte scharf und sauber.** Richtig gewartete Schneidwerkzeuge mit scharfen Klingen blockieren seltener und sind leichter unter Kontrolle zu halten.
- g. **Verwenden Sie Gerät, Zubehör, Einsatz-Bits usw. entsprechend diesen Anweisungen, und berücksichtigen Sie dabei die Arbeitsbedingungen und die auszuführende Arbeit.** Der Gebrauch von Geräten für andere als die vorgesehenen Zwecke kann zu gefährlichen Situationen führen.

5. Service

- a. **Lassen Sie das Gerät nur von qualifiziertem Fachpersonal und nur mit Originalersatzteilen reparieren.** Damit wird sichergestellt, dass die Sicherheit des Geräts erhalten bleibt.

- ◆ **Dieses Elektrowerkzeug ist zu verwenden als Schleifer, Drahtbürste und Trennschleifmaschine. Beachten Sie alle Sicherheitshinweise, Anweisungen, Darstellungen und Daten, die Sie mit dem Gerät erhalten.** Wenn Sie die folgenden Anweisungen nicht beachten, kann es zu elektrischem Schlag, Feuer und/oder schweren Verletzungen kommen.
- ◆ **Verwendungen, für die das Elektrowerkzeug nicht vorgesehen ist, können Gefährdungen und Verletzungen verursachen.**
- ◆ **Verwenden Sie kein Zubehör, das vom Hersteller nicht speziell für dieses Elektrowerkzeug vorgesehen und empfohlen wurde.** Nur weil Sie das Zubehör an Ihrem Elektrowerkzeug befestigen können, garantiert dies keine sichere Verwendung.
- ◆ **Die zulässige Drehzahl des Einsatzwerkzeugs muss mindestens so hoch sein wie die auf dem Elektrowerkzeug angegebene Höchstdrehzahl.** Zubehör, das sich schneller als zulässig dreht, kann zerbrechen und umherfliegen.
- ◆ **Außendurchmesser und Dicke des Einsatzwerkzeugs müssen den Maßangaben Ihres Elektrowerkzeugs entsprechen.** Falsch bemessene Einsatzwerkzeuge können nicht ausreichend abgeschirmt oder kontrolliert werden.
- ◆ **Zubehör mit Gewindemontage muss mit dem Gewinde der Schleiferspindel übereinstimmen.** Bei Zubehör mit Flanschbefestigung muss das Aufnahmeloch des Zubehörs mit dem Flanschdurchmesser übereinstimmen. Zubehör, das nicht genau auf die Schleifspindel des Elektrowerkzeugs passt, dreht sich ungleichmäßig, vibriert sehr stark und kann zum Verlust der Kontrolle führen.
- ◆ **Verwenden Sie keine beschädigten Einsatzwerkzeuge.** Kontrollieren Sie vor jeder Verwendung Einsatzwerkzeuge wie z. B. die Schleifscheibe auf Absplitterungen und Risse, den Stützteller auf Risse und Verschleiß oder starke Abnutzung. Wenn das Elektrowerkzeug oder das Einsatzwerkzeug heruntergefallen ist, überprüfen Sie, ob es beschädigt ist, oder verwenden Sie ein unbeschädigtes Einsatzwerkzeug. Wenn Sie das Einsatzwerkzeug kontrolliert und eingesetzt haben, positionieren Sie sich und in der Nähe befindliche Personen außerhalb der Ebene des rotierenden Einsatzwerkzeugs und lassen Sie das Gerät eine Minute lang mit Höchstdrehzahl laufen. Beschädigte Einsatzwerkzeuge brechen meist in dieser Testzeit.

- ◆ **Tragen Sie persönliche Schutzausrüstung. Verwenden Sie je nach Anwendung Vollgesichtsschutz, Augenschutz oder Schutzbrille. Soweit angemessen, tragen Sie Staubmaske, Gehörschutz, Schutzhandschuhe oder Spezialschürze, die kleine Schleif- und Materialpartikel von Ihnen fernhält.** Die Augen sollen vor herumfliegenden Fremdkörpern geschützt werden, die bei verschiedenen Anwendungen entstehen. Staub- oder Atemschutzmaske müssen den bei der Anwendung entstehenden Staub filtern. Wenn Sie lange lautem Lärm ausgesetzt sind, können Sie einen Hörverlust erleiden.
- ◆ **Achten Sie bei anderen Personen auf sicheren Abstand zu Ihrem Arbeitsbereich. Jeder, der den Arbeitsbereich betritt, muss persönliche Schutzausrüstung tragen.** Bruchstücke des Werkstücks oder gebrochener Einsatzwerkzeuge können wegfiegen und Verletzungen auch außerhalb des direkten Arbeitsbereichs verursachen.
- ◆ **Halten Sie das Elektrowerkzeug an den isolierten Griffflächen, wenn Arbeiten durchgeführt werden, bei denen das Schneidwerkzeug versteckte Leitungen oder die eigene Anschlussleitung berühren könnte.** Der Kontakt des Schneidwerkzeugs mit einer spannungsführenden Leitung kann auch metallene Geräteteile unter Spannung setzen und zu einem elektrischen Schlag führen.
- ◆ **Halten Sie das Netzkabel von sich drehenden Einsatzwerkzeugen fern.** Wenn Sie die Kontrolle über das Gerät verlieren, kann das Netzkabel durchtrennt oder erfasst werden und Ihre Hand oder Ihr Arm in das sich drehende Einsatzwerkzeug geraten.
- ◆ **Legen Sie das Elektrowerkzeug niemals ab, bevor das Einsatzwerkzeug völlig zum Stillstand gekommen ist.** Das sich drehende Einsatzwerkzeug kann in Kontakt mit der Ablagefläche geraten, wodurch Sie die Kontrolle über das Elektrowerkzeug verlieren können.
- ◆ **Lassen Sie das Elektrowerkzeug nicht laufen, während Sie es tragen.** Ihre Kleidung kann durch zufälligen Kontakt mit dem sich drehenden Einsatzwerkzeug erfasst werden, und das Einsatzwerkzeug sich in Ihren Körper bohren.
- ◆ **Reinigen Sie regelmäßig die Lüftungsschlitze Ihres Elektrowerkzeugs.** Das Motorgebläse zieht Staub in das Gehäuse, und eine starke Ansammlung von Metallstaub kann elektrische Gefahren verursachen.
- ◆ **Verwenden Sie das Elektrowerkzeug nicht in der Nähe brennbarer Materialien.** Funken können diese Materialien entzünden.
- ◆ **Verwenden Sie keine Einsatzwerkzeuge, die flüssige Kühlmittel erfordern.** Die Verwendung von Wasser oder anderen flüssigen Kühlmitteln kann zu einem elektrischen Schlag führen.

Hinweis: Die vorstehende Warnung gilt nicht für Elektrowerkzeuge, die speziell für den Gebrauch mit einem Flüssigkeitssystem entwickelt wurden.

Rückschlag und damit verbundene Sicherheitshinweise

Rückschlag ist die plötzliche Reaktion infolge eines hakenden oder blockierten drehenden Einsatzwerkzeugs, wie Schleifscheibe, Schleifteller, Drahtbürste usw. Durch das daraus folgende unmittelbare Stoppen des Zubehörs wird das Gerät in die Richtung bewegt, die der Drehrichtung des Zubehörs entgegengesetzt ist.

Wenn z. B. eine Schleifscheibe im Werkstück hakt oder blockiert, kann sich die Kante der Schleifscheibe, die in das Werkstück eintaucht, verfangen und dadurch die Schleifscheibe ausbrechen oder einen Rückschlag verursachen. Abhängig von der Drehrichtung kann die Scheibe entweder zum Bediener hin- oder von ihm wegspringen. Hierbei können Schleifscheiben auch brechen.

Ein Rückschlag ist das Resultat eines Missbrauchs und/oder einer falschen Bedienung des Geräts und/oder falscher Betriebsbedingungen. Er kann durch die entsprechenden unten angegebenen Vorsichtsmaßnahmen vermieden werden.

- ◆ **Halten Sie das Gerät stets fest im Griff, und nehmen Sie eine Körper- und Armhaltung ein, in der Sie Rückschläge auffangen können. Verwenden Sie stets den Zusatzgriff, sofern vorhanden, sodass Sie optimal auf eventuelle Rückschläge oder Drehmomente während des Startens reagieren können.** Rückschlagkräfte oder Drehmomente können vom Bediener mittels entsprechender Vorsichtsmaßnahmen unter Kontrolle gehalten werden.
- ◆ **Halten Sie Ihre Hände von sich drehendem Zubehör fern.** Das Einsatzwerkzeug kann sich beim Rückschlag über Ihre Hand bewegen.
- ◆ **Positionieren Sie Ihren Körper so, dass das Gerät im Falle eines Rückschlags nicht in Ihre Richtung gedrückt wird.** Durch einen Rückschlag wird das Gerät in die Richtung gedrückt, die der Drehrichtung des Zubehörs zum Zeitpunkt des Verkantens entgegengesetzt ist.
- ◆ **Beim Bearbeiten von Ecken, scharfen Kanten usw. ist besondere Aufmerksamkeit erforderlich. Verhindern Sie ein Springen und Verkanten des Geräts.** Das rotierende Einsatzwerkzeug neigt bei Ecken, scharfen Kanten oder wenn es abprallt, dazu, sich zu verklemmen. Dies verursacht einen Kontrollverlust oder Rückschlag.
- ◆ **Bringen Sie keine Sägeketten, Holzmesser oder gezahnte Sägen an.** Solche Einsatzwerkzeuge verursachen häufig einen Rückschlag oder den Verlust der Kontrolle über das Elektrowerkzeug.

Spezifische Sicherheitswarnhinweise für Schleif- und Trennarbeiten

- ◆ **Verwenden Sie ausschließlich die für Ihr Elektrowerkzeug zugelassenen Schleifkörper und die für diese Schleifkörper vorgesehene Schutzhaube.** Schleifkörper, die nicht für das Elektrowerkzeug vorgesehen sind, können nicht ausreichend abgeschirmt werden und sind unsicher.
- ◆ **Die Schleiffläche der mittleren heruntergedrückten Räder muss unter der Fläche der Schutzlippe montiert werden.** Ein falsch montiertes Rad, das durch die Fläche der Schutzlippe hervorsteht, wird nicht angemessen geschützt.
- ◆ **Die Schutzhaube muss sicher am Elektrowerkzeug angebracht und so eingestellt sein, dass ein Höchstmaß an Sicherheit erreicht wird, d. h. der kleinstmögliche Teil des Schleifkörpers zeigt offen zur Bedienperson.** Die Schutzvorrichtung soll die Bedienperson vor Bruchstücken und zufälligem Kontakt mit dem Schleifkörper sowie vor Funken schützen, durch die die Kleidung entzündet werden könnte.
- ◆ **Schleifkörper dürfen nur für die empfohlenen Einsatzmöglichkeiten verwendet werden. Zum Beispiel: Schleifen Sie nie mit der Seitenfläche einer Trennscheibe.** Trennscheiben sind zum Materialabtrag mit der Kante der Scheibe bestimmt. Seitliche Krafteinwirkung auf diese Schleifkörper kann sie zerbrechen.
- ◆ **Verwenden Sie immer unbeschädigte Spannflansche in der richtigen Größe und Form für die von Ihnen gewählte Schleifscheibe.** Geeignete Flansche stützen die Schleifscheibe und verringern so die Gefahr eines Schleifscheibenbruchs. Flansche für Trennscheiben können sich von den Flanschen für andere Schleifscheiben unterscheiden.
- ◆ **Verwenden Sie keine abgenutzten Schleifscheiben von größeren Elektrowerkzeugen.** Schleifscheiben für größere Elektrowerkzeuge sind nicht für die höheren Drehzahlen von kleineren Elektrowerkzeugen ausgelegt und können brechen.

Zusätzliche Sicherheitshinweise für Trennarbeiten

- ◆ **Rammen Sie die Scheibe nicht in das Werkstück, und üben Sie keinen übermäßigen Druck aus. Führen Sie keine übermäßig tiefen Schnitte aus.** Bei Überlastung der Scheibe erhöht sich das Risiko eines Verdrehens oder Verkantens im Schnitt und somit auch das Risiko eines Rückschlags oder Scheibenbruchs.
- ◆ **Positionieren Sie Ihren Körper niemals in einer Linie mit und hinter der sich drehenden Scheibe.** Wenn Sie die Trennscheibe im Werkstück von sich wegbewegen, kann im Falle eines Rückschlags das Elektrowerkzeug mit der sich drehenden Scheibe direkt auf Sie zugeschleudert werden.

- ◆ **Wenn die Scheibe verkantet oder Sie die Arbeit unterbrechen möchten, schalten Sie das Gerät aus, und halten Sie es bewegungslos, bis die Scheibe vollständig zum Stillstand kommt. Versuchen Sie nie, die noch laufende Trennscheibe aus dem Schnitt zu ziehen, sonst kann ein Rückschlag erfolgen.** Ermitteln und beheben Sie die Ursache für das Verklammen.
- ◆ **Starten Sie den Arbeitsvorgang nicht im Werkstück.** Lassen Sie die Trennscheibe erst ihre volle Drehzahl erreichen, bevor Sie den Schnitt vorsichtig fortsetzen. Anderenfalls kann die Scheibe verhaken, aus dem Werkstück springen oder einen Rückschlag verursachen.
- ◆ **Stützen Sie Platten oder sehr große Werkstücke ab, um ein mögliches Verklammen oder Rückschlagen der Scheibe zu vermeiden.** Große Werkstücke können sich unter ihrem eigenen Gewicht durchbiegen. Das Werkstück muss auf beiden Seiten der Scheibe abgestützt werden, und zwar sowohl in der Nähe des Trennschnitts als auch an der Kante.
- ◆ **Gehen Sie beim Eintauchschnitt in Wände oder sonstige unübersichtliche Bereiche besonders vorsichtig vor.** Die eintauchende Trennscheibe kann beim Schneiden in Gas- oder Wasserleitungen, elektrische Leitungen oder andere Objekte einen Rückschlag verursachen.

Spezielle Sicherheitshinweise für Schleifarbeiten

- ◆ **Verwenden Sie kein Schleifpapier, das die erforderliche Größe zu sehr übersteigt. Befolgen Sie bei der Auswahl von Schleifpapier die Herstellerempfehlungen.** Schleifblätter, die über den Schleifteller hinausragen, können Verletzungen verursachen sowie zum Blockieren, Zerreißen der Schleifblätter oder zum Rückschlag führen.

Spezielle Sicherheitshinweise für Polierarbeiten

- ◆ **Lose Komponenten der Polierhaube oder lose Befestigungsschnüre dürfen keinesfalls frei drehen. Verstauen oder kürzen Sie die Befestigungsschnüre.** Lose, sich mitdrehende Befestigungsschnüre können Ihre Finger erfassen oder sich im Werkstück verfangen.

Sicherheit anderer Personen

- ◆ Dieses Gerät darf nicht von Personen (einschließlich Kindern) mit eingeschränkten körperlichen, sensorischen oder geistigen Fähigkeiten oder mangelnder Erfahrung und Wissen in Bezug auf dessen Gebrauch bedient werden, es sei denn, sie werden bei der Verwendung des Geräts von einer erfahrenen Person beaufsichtigt oder angeleitet.
- ◆ Kinder müssen beaufsichtigt werden, um sicherzustellen, dass sie nicht mit dem Gerät spielen.

Restrisiken.

Beim Gebrauch dieses Geräts verbleiben zusätzliche Restrisiken, die möglicherweise nicht in den Sicherheitswarnungen genannt werden. Diese Risiken bestehen beispielsweise bei Missbrauch oder längerem Gebrauch.

Auch bei der Einhaltung der entsprechenden Sicherheitsvorschriften und der Verwendung aller Sicherheitsgeräte bestehen weiterhin bestimmte Restrisiken. Diese sind:

- ◆ **Verletzungen, die durch das Berühren von sich drehenden/bewegenden Teilen verursacht werden.**
- ◆ **Verletzungen, die durch das Austauschen von Teilen, Sägeblättern oder Zubehör verursacht werden.**
- ◆ **Verletzungen, die durch längeren Gebrauch eines Geräts verursacht werden. Legen Sie bei längerem Gebrauch regelmäßige Pausen ein.**
- ◆ **Beeinträchtigung des Gehörs.**
- ◆ **Gesundheitsrisiken durch das Einatmen von Staub beim Gebrauch des Geräts (beispielsweise bei Holzarbeiten, insbesondere Eiche, Buche und Pressspan)**

Vibration

Die in den Abschnitten "Technische Daten" und "EG-Konformitätserklärung" angegebenen Werte für die Vibrationsemission wurden mit einer Standard-Prüfmethode nach EN60745 ermittelt und können zum Vergleich verschiedener Geräte herangezogen werden. Außerdem kann mit Hilfe dieses Werts die Belastung bei Verwendung des Geräts schon im Voraus eingeschätzt werden.

Warnung! Die bei Verwendung des Geräts auftretende Vibrationsemission hängt von der Art des Gerätegebrauchs ab und kann dementsprechend von dem angegebenen Wert abweichen.

Gegebenenfalls kann die Vibration über dem angegebenen Wert liegen.

Für die Ermittlung der Vibrationsbelastung müssen die tatsächlichen Einsatzbedingungen und Verwendungen des Geräts während des gesamten Arbeitsgangs berücksichtigt werden, einschließlich der Zeiten, wenn das Gerät nicht verwendet oder im Leerlauf betrieben wird. Diese Werte werden benötigt, um die gemäß 2002/44/EG erforderlichen Sicherheitsmaßnahmen zum Schutz von Personen festlegen zu können.

Etiketten am Werkzeug

Am Gerät sind die folgenden Piktogramme inkl. Datumcode angegeben:



Warnung! Lesen Sie vor Gebrauch die Anleitung. Andernfalls besteht Verletzungsgefahr.



Tragen Sie eine Schutzbrille, wenn Sie mit dem Gerät arbeiten.



Tragen Sie einen Gehörschutz, wenn Sie mit dem Gerät arbeiten.

Elektrische Sicherheit



Dieses Gerät ist schutzisoliert, daher ist keine Erdleitung erforderlich. Überprüfen Sie immer, dass die Stromversorgung der Spannung auf dem Typenschild entspricht.

- ◆ Bei einer Beschädigung des Netzkabels muss dieses durch den Hersteller oder eine BLACK+DECKER Vertragswerkstatt ausgetauscht werden, um mögliche Gefahren zu vermeiden.

Merkmale

Dieses Gerät verfügt über einige oder alle der folgenden Merkmale:

1. Ein-/Aus-Schalter
2. Zusatzhandgriff
3. Spindelverriegelung
4. Schutzhaube

Montage

Warnung! Vergewissern Sie sich vor der Montage, dass das Gerät ausgeschaltet ist und der Netzstecker gezogen wurde.

Anbringen und Entfernen der Schutzvorrichtung (Abb. A)

Das Gerät ist mit einer Schutzvorrichtung ausgestattet, die nur für Schleifarbeiten vorgesehen ist. Wenn mit dem Gerät Trennarbeiten durchgeführt werden sollen, muss eine entsprechende Schutzvorrichtung angebracht werden. Eine geeignete Schutzvorrichtung für Trennarbeiten, Teilnr. 1004702-27 und 1004702-28 für KG711/KG911 und KG912/KG752, ist in BLACK & DECKER Vertragswerkstätten erhältlich.

Anbringen und Entfernen der Schutzvorrichtung (Abb. A) nur KG912

Das Gerät ist mit einer Schutzvorrichtung ausgestattet, die nur für Schneidarbeiten ausgelegt ist. Wenn mit dem Gerät Schleifarbeiten ausgeführt werden sollen, muss eine entsprechende Schutzvorrichtung angebracht werden. Für Schleifarbeiten ist die Schutzvorrichtung mit der Teilenummer 1004702-36 erhältlich und kann über eine BLACK & DECKER Werkstatt bezogen werden.

Anbringen

- ◆ Legen Sie den Winkelschleifer auf einen Tisch mit der Spindel (5) nach oben.
- ◆ Richten Sie die Haltevorrichtungen (8) an den Kerben (9) aus.
- ◆ Drücken Sie die Schutzabdeckung (4) nach unten und drehen Sie sie in die gewünschte Stellung.
- ◆ Bringen Sie die Schraube (6) an, und ziehen Sie diese sicher fest.
- ◆ Um die Schutzabdeckung zu entfernen, lösen Sie die Schraube

Warnung! Verwenden Sie das Gerät nie ohne Schutzvorrichtung.

Anbringen des seitlichen Haltegriffs

- ◆ Schrauben Sie den seitlichen Haltegriff (2) in eine der Montageöffnungen des Geräts.

Warnung! Verwenden Sie stets den seitlichen Haltegriff.

Anbringen und Entfernen einer Schleif- oder Trennscheibe (Abb. B bis D)

Verwenden Sie stets die für Ihre Arbeit passende Scheibe. Verwenden Sie stets Scheiben mit korrektem Durchmesser und entsprechender Bohrung (s. technische Daten).

Anbringen

- ◆ Bringen Sie die Schutzvorrichtung wie oben beschrieben an.
- ◆ Setzen Sie den inneren Flansch (10) auf die Spindel (5) auf (s. Abb. B). Vergewissern Sie sich, dass der Flansch ordnungsgemäß auf den flachen Seiten der Spindel sitzt.
- ◆ Setzen Sie die Scheibe (11) auf die Spindel (5) auf (s. Abb. B). Wenn die Scheibe über einen erhöhten Mittelteil (12) verfügt, muss diese Erhöhung zum inneren Flansch weisen.
- ◆ Vergewissern Sie sich, dass die Scheibe ordnungsgemäß auf dem inneren Flansch sitzt.
- ◆ Setzen Sie den äußeren Flansch (13) auf die Spindel auf. Bei Schleifscheiben muss die Erhöhung in der Mitte am äußeren Flansch zur Scheibe weisen (A in Abb. C). Bei Trennscheiben muss die Erhöhung in der Mitte am äußeren Flansch von der Scheibe weg weisen (B in Abb. C).
- ◆ Halten Sie die Spindelarretierung (3) gedrückt, und ziehen Sie den äußeren Flansch mithilfe des Stirnlochschlüssels (14) fest (Abb. D).

Entfernen

- ◆ Halten Sie die Spindelarretierung (3) gedrückt, und lösen Sie den äußeren Flansch (13) mithilfe des Stirnlochschlüssels (14) (Abb. D).
- ◆ Nehmen Sie den äußeren Flansch (13) und die Scheibe (11) ab.

Anbringen und Entfernen der Schleifscheiben (Abb. D und E)

Für Schleifarbeiten ist Trägerpapier erforderlich. Sie erhalten dieses Trägerpapier als Zubehör im BLACK+DECKER Fachhandel.

Anbringen

- ◆ Setzen Sie den inneren Flansch (10) auf die Spindel (5) auf (s. Abb. E). Vergewissern Sie sich, dass der Flansch ordnungsgemäß auf den flachen Seiten der Spindel sitzt.
- ◆ Setzen Sie das Trägerpapier (15) auf der Spindel auf.
- ◆ Positionieren Sie die Schleifscheibe (16) über dem Trägerpapier.
- ◆ Setzen Sie den äußeren Flansch (13) auf der Spindel auf. Dabei muss der erhöhte Mittelteil von der Scheibe weg weisen.
- ◆ Halten Sie die Spindelarretierung (3) gedrückt, und ziehen Sie den äußeren Flansch mithilfe des Stirnlochschlüssels (14) fest (Abb. D). Vergewissern Sie sich, dass der äußere Flansch ordnungsgemäß sitzt und die Scheibe sorgfältig befestigt ist.

Entfernen

- ◆ Halten Sie die Spindelarretierung (3) gedrückt, und lösen Sie den äußeren Flansch (13) mithilfe des Stirnlochschlüssels (14) (Abb. D).
- ◆ Nehmen Sie den äußeren Flansch (13), die Schleifscheibe (16) und das Trägerpapier (15) ab.

Verwendung

Warnung! Beschleunigen Sie den Arbeitsvorgang nicht mit Gewalt. Vermeiden Sie eine Überlastung.

- ◆ Achten Sie auf sorgfältige Kabelführung, um unbeabsichtigte Kabelschäden zu vermeiden.
- ◆ Rechnen Sie mit Funkenflug, wenn die Schleif- oder Trennscheibe das Werkstück berührt.
- ◆ Richten Sie das Gerät stets so aus, dass die Schutzvorrichtung optimalen Schutz vor der Schleif- oder Trennscheibe bietet.

Ein- und Ausschalten

- ◆ Zum Einschalten des Geräts schieben Sie den Ein-/Aus-Schalter (1) nach vorn. Beachten Sie, dass das Gerät nach dem Freigeben des Schalters weiterläuft.
- ◆ Zum Ausschalten des Geräts drücken Sie den hinteren Teil des Ein-/Ausschalters.

Warnung! Schalten Sie das Gerät nicht unter Last aus.

Sanftanlauf

Der Sanftanlauf ermöglicht eine langsame Steigerung der Drehzahl und verhindert den Ruck beim Starten. Dieses Merkmal ist besonders nützlich bei Arbeiten in beengter Umgebung.

No-Volt

Die No-Volt-Funktion verhindert das Wiederanlaufen des Schleifgeräts, ohne dass der Schalter getaktet wurde, wenn es eine Unterbrechung in der Stromversorgung gab.

Hinweise für optimale Arbeitsergebnisse

- ◆ Halten Sie das Gerät mit einer Hand am seitlichen Haltegriff und mit der anderen Hand am Hauptgriff sorgfältig fest.
- ◆ Achten Sie beim Schleifen stets auf einen Winkel von rund 15° zwischen der Scheibe und der Oberfläche des Werkstücks.

Wartung

Ihr BLACK+DECKER Gerät (mit und ohne Netzkabel) wurde im Hinblick auf eine lange Lebensdauer und einen möglichst geringen Wartungsaufwand entwickelt. Ein kontinuierlicher, zufriedenstellender Betrieb hängt von der richtigen Pflege des Gerätes und seiner regelmäßigen Reinigung ab.

Warnung! Vor dem Ausführen jeglicher Wartungsarbeiten an Geräten mit und ohne Netzkabel:

- ◆ Schalten Sie das Gerät aus, und ziehen Sie den Netzstecker.
- ◆ Wenn das Gerät über einen separaten Akku verfügt, schalten Sie das Gerät ab und entfernen Sie ihn vom Gerät.
- ◆ Wenn der Akku integriert ist, entladen Sie diesen vor dem Abschalten vollständig.
- ◆ Trennen Sie das Ladegerät von der Stromversorgung, bevor Sie es reinigen. Das Ladegerät benötigt keine Wartung, es sollte jedoch regelmäßig gereinigt werden.
- ◆ Reinigen Sie regelmäßig die Lüftungsschlitze des Geräts und des Ladegeräts mit einer weichen Bürste oder einem trockenen Tuch.
- ◆ Reinigen Sie das Motorgehäuse regelmäßig mit einem feuchten Tuch. Verwenden Sie keine scheuernden Reinigungsmittel oder Reinigungsmittel auf Lösungsmittelbasis.
- ◆ Öffnen Sie regelmäßig das Spannfutter, und entfernen Sie durch Klopfen ggf. Staub aus dem Inneren des Geräts.

Umweltschutz



Getrennte Sammlung. Produkte und Batterien, die mit diesem Symbol gekennzeichnet sind, dürfen nicht mit dem normalen Haushaltsmüll entsorgt werden.

Produkte und Batterien enthalten Materialien, die wiedergewonnen oder recycelt werden können und damit die Nachfrage nach Rohstoffen reduzieren. Bitte recyceln Sie Elektroprodukte und Batterien gemäß den lokalen Bestimmungen.

Technische Daten

		KG711 (Typ 1)
Eingangsspannung	V _{AC}	230
Leistungsaufnahme	W	750
Nenn Drehzahl	min ⁻¹	12.000
Scheibendurchmesser	mm	115
Scheibenbohrung	mm	22
Max. Scheibenstärke		
Schleifscheiben	mm	6
Trennscheiben	mm	3,5
Spindelgröße		M14
Gewicht	kg	2

		KG911-KG912-KG752 (Typ 1)
Eingangsspannung	V _{AC}	230
Leistungsaufnahme	W	KG911, KG912 = 900W KG752 = 800W
Nenn Drehzahl	min ⁻¹	12.000
Scheibendurchmesser	mm	KG711, KG911 = 115 KG912, KG752 = 125
Scheibenbohrung	mm	22
Max. Scheibenstärke		
Schleifscheiben	mm	6
Trennscheiben	mm	3,5
Spindelgröße		M14
Gewicht	kg	KG711, KG911, KG752 = 2,1 KG912 = 2,2

		KG711, KG911, KG912
L _{DA} (Schalldruck)		92,6 dB(A), Unsicherheitsfaktor (K) 3 dB(A)
L _{WA} (Schalleistung)		103,6 dB(A), Unsicherheitsfaktor (K) 3 dB(A)
Gesamtvibration (Triax-Vektorsumme) gemäß EN60745:		
Oberflächenschleifen (a _{h,SG})		9,9 m/s ² , Unsicherheitsfaktor (K) 1,5 m/s ²
Abschneiden (a _n)		4,6 m/s ² , Unsicherheitsfaktor (K) 1,5 m/s ²
Polieren (a _{n,p})		4,5 m/s ² , Unsicherheitsfaktor (K) 1,5 m/s ²
Scheibenschleifen (a _{h,DS})		9,6 m/s ² , Unsicherheitsfaktor (K) 1,5 m/s ²

KG752
L_{pA} (Schalldruck) 94,5 dB(A), Unsicherheitsfaktor (K) 3 dB(A)
L_{wA} (Schalleistung) 105,5 dB(A), Unsicherheitsfaktor (K) 3 dB(A)
Gesamtvibration (Triax-Vektorsumme) gemäß EN60745:
Oberflächenschleifen ($a_{h,SG}$) 9,9 m/s ² , Unsicherheitsfaktor (K) 1,5 m/s ²
Abschneiden (a_h) 9,1 m/s ² , Unsicherheitsfaktor γ (K) 1,5 m/s ²
Polieren ($a_{h,p}$) 5,0 m/s ² , Unsicherheitsfaktor (K) 1,5 m/s ²
Scheibenschleifen ($a_{h,DS}$) 3,3 m/s ² , Unsicherheitsfaktor (K) 1,5 m/s ²

EU-Konformitätserklärung MASCHINENRICHTLINIE



KG711, KG911, KG912, KG752 Winkelschleifer
Black & Decker erklärt, dass die unter "Technische Daten"
beschriebenen Geräte übereinstimmen mit:
2006/42/EC, EN60745-1:2009 +A11:2010;
EN60745-2-3:2011 +A2:2013 +A11:2014 +A12:2014

Diese Produkte entsprechen außerdem den Richtlinien
2004/108/EG (bis 19.4.2016), 2014/30/EU (ab 20.4.2016) und
2011/65/EU. Für weitere Informationen wenden Sie sich bitte
an Black & Decker unter der folgenden Adresse oder schauen
Sie auf der Rückseite dieser Betriebsanleitung nach.

Der Unterzeichnete ist verantwortlich für die Zusammenstel-
lung der technischen Daten und gibt diese Erklärung im
Namen von Black & Decker ab.

Director of Engineering
Black & Decker Europe, 210 Bath Road, Slough,
Berkshire, SL1 3YD, Großbritannien
18.11.2015

Garantie

Black & Decker ist überzeugt von der Qualität seiner Produkte und bietet Verbrauchern eine 24-monatige Garantie ab dem Kaufdatum. Diese Garantie versteht sich unbeschadet der gesetzlichen Gewährleistungsansprüche und schränkt diese keinesfalls ein. Diese Garantie gilt innerhalb der Staatsgebiete der Mitgliedstaaten der Europäischen Union und der Europäischen Freihandelszone. Um die Garantie in Anspruch zu nehmen, muss der Anspruch den Geschäftsbedingungen von Black&Decker entsprechen und Sie müssen dem Verkäufer oder der zugelassenen Reparaturwerkstatt den Kaufbeleg vorlegen.

Die Geschäftsbedingungen der 2-jährigen Garantie von Black&Decker sowie der Standort Ihrer zugelassenen Reparaturwerkstatt in Ihrer Nähe können über das Internet unter www.2helpU.com abgefragt werden oder durch Kontaktaufnahme mit Ihrem lokalen Black & Decker Büro unter der in diesem Handbuch angegebenen Adresse.

Ihr neues Black & Decker Produkt können Sie auf unserer Website unter www.blackanddecker.de registrieren. Dort erhalten Sie auch Updates zu neuen Produkten und Sonderangeboten.

Utilisation prévue

Vos meuleuses d'angle BLACK+DECKER KG711, KG911, KG912 et KG752 ont été conçues pour le meulage et le tronçonnage de métal et matériaux de maçonnerie à l'aide de disques à tronçonner et à meuler adaptés. Équipés des dispositifs de protection appropriés, ces outils ne sont prévus que pour un usage grand public.

Consignes de sécurité

Consignes de sécurité concernant les outils électriques



Avvertissement ! Lisez tous les avertissements et toutes les consignes de sécurité. Le non-respect des avertissements et des instructions listés ci-dessous peut entraîner des chocs électriques, des incendies et/ou de graves blessures.

Conservez tous les avertissements et toutes les instructions afin de pouvoir vous y référer dans le futur. Le terme "outil électrique" mentionné dans tous les avertissements listés ci-dessous fait référence à vos outils électriques branchés sur secteur (avec câble) ou fonctionnant sur pile ou batterie (sans fil).

1. Sécurité de la zone de travail

- a. **Maintenez la zone de travail propre et bien éclairée.** Les zones sombres ou encombrées sont propices aux accidents.
- b. **N'utilisez pas d'outils électriques dans un environnement présentant des risques d'explosion ou en présence de liquides, gaz ou poussières inflammables.** Les outils électriques créent des étincelles qui peuvent enflammer les poussières et les fumées.
- c. **Maintenez les enfants et autres personnes éloignés lorsque les outils électriques sont en marche.** Toute distraction peut vous faire perdre le contrôle de l'outil.

2. Sécurité électrique

- a. **Les prises des outils électriques doivent correspondre à la prise de courant murale. Ne modifiez jamais la prise d'aucune sorte. N'utilisez aucun adaptateur avec des outils électriques reliés à la terre.** L'utilisation de prises d'origine et de prises murales appropriées permet de réduire le risque de choc électrique.
- b. **Évitez tout contact physique avec des surfaces reliées à la terre comme des tuyaux, des radiateurs, des fours et des réfrigérateurs par exemple.** Le risque de choc électrique augmente si votre corps est relié à la terre.

- c. **N'exposez pas les outils électriques à la pluie, ni à l'humidité.** Le risque de choc électrique augmente si de l'eau pénètre dans un outil électrique.
- d. **Ne tirez pas sur le cordon d'alimentation. N'utilisez jamais le cordon pour transporter, tirer ou débrancher l'outil électrique. Maintenez le cordon éloigné de la chaleur, des substances grasses, des bords tranchants ou des pièces mobiles.** Les cordons endommagés ou emmêlés augmentent le risque de choc électrique.
- e. **Si vous utilisez un outil électrique à l'extérieur, utilisez une rallonge homologuée pour les travaux extérieurs.** L'utilisation d'un cordon adapté pour l'extérieur réduit le risque de choc électrique.
- f. **Si l'utilisation d'un outil électrique dans un endroit humide est inévitable, utilisez une alimentation électrique protégée par un disjoncteur différentiel.** L'utilisation d'un disjoncteur différentiel réduit le risque de choc électrique.

3. Sécurité personnelle

- a. **Restez vigilant, surveillez ce que vous faites et faites preuve de bon sens lorsque vous utilisez un outil électrique. N'utilisez pas d'outils électriques si vous êtes fatigué ou sous l'influence de drogue, d'alcool ou de médicaments.** Tout moment d'inattention pendant l'utilisation d'un outil électrique peut engendrer de graves blessures.
- b. **Portez des équipements de protection individuelle. Portez toujours une protection oculaire.** Les équipements de protection comme les masques à poussière, les chaussures de sécurité antidérapantes, les casques ou les protections auditives utilisés à bon escient réduisent le risque de blessures.
- c. **Empêchez tout démarrage par inadvertance. Assurez-vous que l'outil est en position OFF (Arrêt) avant de raccorder l'outil à l'alimentation électrique et/ou au bloc-batterie ou avant de ramasser ou de transporter l'outil.** Le fait de transporter les outils électriques le doigt sur l'interrupteur ou d'alimenter les outils électriques dont l'interrupteur est déjà en position de marche augmente les accidents.
- d. **Retirez toutes les clés ou pinces de réglage avant de mettre l'outil en marche.** Une clé ou une pince restée fixée à la partie rotative de l'outil électrique peut engendrer des blessures.
- e. **Ne présumez pas de vos forces. Gardez les pieds bien ancrés au sol et conservez votre équilibre en permanence.** Cela permet de mieux maîtriser l'outil électrique en cas de situations imprévues.
- f. **Portez des vêtements appropriés. Ne portez aucun vêtement ample ou de bijou. Gardez vos cheveux, vos**

vêtements et vos gants éloignés des pièces mobiles. Les vêtements amples, les bijoux ou les cheveux longs peuvent être happés par les pièces mobiles.

- g. **Si des dispositifs pour l'extraction des poussières ou des installations pour la récupération sont présents, assurez-vous qu'ils sont correctement raccordés et utilisés.** L'utilisation de dispositifs récupérateurs de poussières réduit les risques liés aux poussières.

4. Utilisation et entretien des outils électriques

- a. **Ne forcez pas sur l'outil électrique. Utilisez le bon outil adapté pour votre intervention.** Un outil adapté fonctionne mieux, de façon plus sûre et à la cadence pour laquelle il a été conçu.
- b. **N'utilisez pas l'outil électrique si l'interrupteur Marche/Arrêt est défectueux.** Tout appareil électrique qui ne peut plus être commandé par son interrupteur est dangereux et doit être réparé.
- c. **Débranchez la prise du secteur et/ou le bloc-batterie de l'outil électrique avant d'effectuer tout réglage, de changer un accessoire ou de ranger l'outil électrique.** Ces mesures de sécurité préventives réduisent le risque de démarrage accidentel de l'outil électrique.
- d. **Rangez les outils électriques non utilisés hors de portée des enfants et ne laissez aucune personne ne connaissant pas ces outils ou leurs instructions d'utilisation les faire fonctionner.** Les outils électriques peuvent être dangereux entre des mains inexpérimentées.
- e. **Entretenez vos outils électriques. Vérifiez que les pièces mobiles sont alignées correctement et qu'elles ne sont pas coincées. Vérifiez qu'il n'y a pas de pièces cassées ou toute autre condition qui pourrait nuire au bon fonctionnement de l'outil. En cas de dommage, faites réparer l'outil électrique avant utilisation.** De nombreux accidents sont provoqués par des outils électriques mal entretenus.
- f. **Maintenez les organes de coupe affûtés et propres.** Des organes de coupe bien entretenus et affûtés sont moins susceptibles de rester coincés et sont plus faciles à contrôler.
- g. **Utilisez les outils électriques, les accessoires et les embouts d'outil conformément à ces instructions, en tenant compte des conditions de travail, ainsi que du travail à effectuer.** L'utilisation d'un outil électrique à des fins autres que celles pour lesquelles il a été prévu engendre des situations dangereuses.

5. Réparation

- a. **Faites réparer votre outil électrique par une personne qualifiée, n'utilisant que des pièces de rechange d'origine.** Cela permet de garantir la sûreté de l'outil électrique.

Consignes de sécurité supplémentaires concernant les outils électriques



Avertissement ! Avertissements de sécurité supplémentaires concernant les opérations de meulage, ponçage, polissage ou tronçonnage

- ◆ **Cet outil électrique a été conçu pour le meulage, le ponçage, le polissage et le tronçonnage. Veuillez lire tous les avertissements de sécurité, toutes les instructions, illustrations et spécifications fournies avec cet outil électrique.** Le non respect des instructions listées ci-dessous peut conduire à des chocs électriques, des incendies et/ou de graves blessures.
- ◆ **Les opérations pour lesquelles l'outil électrique n'a pas été conçu peuvent engendrer des risques et conduire à des blessures.**
- ◆ **N'utilisez pas d'accessoires qui n'aient pas été spécifiquement conçus et recommandés par le fabricant de l'outil.** Le fait que l'accessoire puisse être fixé à votre outil électrique ne veut pas forcément dire que son utilisation est sans risque.
- ◆ **La vitesse nominale de l'accessoire doit être au moins égale à la vitesse maximum spécifiée sur l'outil électrique.** Les accessoires qui tournent plus vite que leur vitesse nominale peuvent rompre et voler en éclats.
- ◆ **Le diamètre extérieur et l'épaisseur de votre accessoire doivent correspondre à la capacité nominale de votre outil électrique.** Des accessoires mal dimensionnés ne peuvent pas être correctement protégés et contrôlés.
- ◆ **Le filetage d'installation des accessoires doit correspondre à celui de l'axe de la meuleuse. Pour les accessoires montés avec des brides, l'alésage de l'accessoire doit correspondre au diamètre de positionnement de la bride.** Les accessoires qui ne correspondent pas au dispositif d'installation de l'outil électrique ne tournent pas correctement, vibrent de façon excessive et peuvent provoquer la perte de contrôle de l'outil.
- ◆ **N'utilisez pas d'accessoires endommagés. Avant chaque utilisation, vérifiez tous les accessoires, l'absence d'ébréchures ou de fissures sur les disques, l'absence de fissures ou d'usure excessive sur les patins-supports, l'absence d'usure excessive. En cas de chute de l'outil électrique ou de l'un de ses accessoires, contrôlez l'absence de dommages et remplacez tout accessoire qui serait endommagé. Après avoir inspecté et installé un accessoire, éloignez vous et toutes personnes présentes du plan de rotation de l'accessoire et laissez tourner l'outil électrique une minute à sa vitesse à vide maximale. En général, c'est pendant ce délai de test que se brisent les accessoires endommagés.**

- ◆ **Portez des équipements de protection individuelle. En fonction de l'intervention, utilisez un écran facial ou des lunettes de protection. Si approprié, portez un masque anti-poussières, une protection auditive, des gants et un tablier d'atelier capables de stopper tout fragment abrasif ou provenant de la pièce à travailler.** La protection oculaire doit être capable d'arrêter les débris générés par les diverses opérations. Le masque anti-poussières ou le respirateur doivent pouvoir filtrer les particules générées par votre intervention. Les expositions prolongées à un niveau de bruit élevé peuvent provoquer la perte de l'ouïe.
- ◆ **Maintenez les personnes présentes à une distance sûre de la zone de travail. Toute personne pénétrant dans la zone de travail doit porter des équipements de protection individuelle.** Des débris provenant de la pièce à travailler ou d'un accessoire brisé peuvent être éjectés et provoquer des blessures au-delà de la zone de travail immédiate.
- ◆ **Ne tenez l'outil que par ses surfaces de préhension isolées lorsque vous réalisez une opération pendant laquelle l'accessoire de coupe peut entrer en contact avec des câbles cachés ou son propre cordon électrique.** Tout contact de l'accessoire de coupe avec un fil sous tension peut mettre les parties métalliques exposées de l'outil sous tension et provoquer un choc électrique à l'utilisateur.
- ◆ **Maintenez le cordon électrique éloigné de l'accessoire en rotation.** En cas de perte de contrôle, le cordon pourrait être sectionné ou abîmé, et vos bras ou mains pourraient entrer en contact avec l'accessoire en rotation.
- ◆ **Ne posez jamais l'outil électrique avant que l'accessoire ne soit complètement arrêté.** L'accessoire en rotation pourrait sinon accrocher la surface et vous faire perdre le contrôle de l'outil.
- ◆ **Ne mettez pas l'outil en marche tant que vous le portez sur le côté.** Un contact accidentel avec l'accessoire en rotation pourrait accrocher vos vêtements, et entraîner l'accessoire vers votre corps.
- ◆ **Nettoyez régulièrement les orifices d'aération de l'outil électrique.** Le ventilateur du moteur attire la poussière à l'intérieur du boîtier et une accumulation excessive de poussières métalliques peut conduire à un risque électrique.
- ◆ **N'utilisez pas l'outil électrique à proximité de matières inflammables.** Des étincelles pourraient enflammer ces matières.
- ◆ **N'utilisez pas d'accessoires nécessitant l'utilisation d'un liquide de refroidissement.** L'utilisation d'eau ou de tout autre fluide de refroidissement peut provoquer une électrocution ou un choc électrique.

Remarque : L'avertissement ci-dessus ne s'applique pas aux outils électriques spécialement conçus pour une utilisation avec un système à liquide.

Rebond et avertissements liés

Les rebonds sont une réaction soudaine au pincement ou au grippage d'un disque, d'un patin-support, d'une brosse ou de tout autre accessoire. Le pincement ou le grippage provoque le blocage rapide de l'accessoire en rotation forçant alors l'outil électrique non contrôlé à se diriger dans la direction opposée par rapport à son sens de rotation au niveau du point de grippage.

Par exemple, si un disque abrasif reste grippé ou pincé dans l'ouvrage, le bord du disque engagé au point de grippage peut s'enfoncer dans la surface du matériau ce qui le fait tressauter ou rebondir. Le disque peut alors rebondir vers ou à l'opposé de l'utilisateur, selon le sens du mouvement du disque au niveau du point de grippage. Dans ces conditions, il peut aussi arriver que les disques abrasifs se brisent.

Les rebonds proviennent d'une utilisation inappropriée de l'outil électrique et/ou de conditions ou procédures d'exécution incorrectes, et peuvent être évités en prenant les précautions adéquates énoncées ci-dessous.

- ◆ **Maintenez fermement l'outil électrique et placez votre corps et votre bras de façon à pouvoir résister à la force d'un rebond. Utilisez toujours la poignée auxiliaire, si elle existe, pour un contrôle maximal de l'outil en cas de rebonds ou de retour de couple au démarrage.** L'utilisateur peut contrôler les retours de couple ou la force des rebonds si des précautions adéquates sont prises.
- ◆ **Ne placez jamais vos mains près de l'accessoire en rotation.** L'accessoire pourrait rebondir sur vos mains.
- ◆ **Ne positionnez pas votre corps dans l'espace que pourrait occuper l'outil en cas de rebonds.** Un rebond propulse l'outil dans la direction opposée au mouvement du disque au niveau du point de grippage.
- ◆ **Prenez des précautions particulières si vous travaillez dans des coins, des bords acérés, etc. Évitez de faire rebondir l'outil sur la matière et le grippage de l'accessoire.** Les coins, bords acérés ou les rebondis ont tendance à faire accrocher l'accessoire en rotation et à provoquer la perte de contrôle de l'outil ou des rebonds.
- ◆ **Ne fixez pas de lame à sculpter ou de lame dentée.** Ces lames provoquent de fréquents rebonds ou pertes de contrôle.

Consignes spécifiques de sécurité propres aux opérations de meulage et de tronçonnage :

- ◆ **N'utilisez que les types de disques recommandés pour votre outil électrique ainsi que le dispositif de protection spécifiquement conçu pour le disque choisi.** Les disques non conçus pour l'outil électrique ne peuvent pas être correctement protégés et ils sont dangereux.
- ◆ **La surface de meulage des disques à moyeu déporté doit être montée sous le plat de la lèvre du carter.** Un disque mal monté qui dépasse du plat de la lèvre du carter ne peut pas être correctement protégé.
- ◆ **Le dispositif de protection doit être soigneusement fixé à l'outil électrique et placé de façon à optimiser la sécurité, de façon à ce que l'utilisateur soit le moins possible exposé au disque.** La protection doit protéger l'utilisateur contre les fragments de disques cassés, le contact accidentel avec le disque et les étincelles qui pourraient enflammer les vêtements.
- ◆ **Les disques ne doivent être utilisés que pour les applications recommandées. Ne meulez par exemple pas avec le côté d'un disque à tronçonner.** Les disques abrasifs sont prévus pour le meulage périphérique, toute force latérale appliquée sur ces disques peut les faire voler en éclats.
- ◆ **Utilisez toujours des brides de disques en parfait état, de taille et de forme adaptées au disque choisi.** Les brides de disque servent de support aux disques, réduisant ainsi les possibilités de rupture. Les brides de disques à tronçonner peuvent différer des brides de disques à meuler.
- ◆ **N'utilisez pas de disques usés provenant d'autres outils électriques plus gros.** Les disques conçus pour des outils électriques plus gros ne sont pas adaptés pour les vitesses plus rapides des outils plus petits et ils peuvent voler en éclats.

Consignes de sécurité supplémentaires spécifiques aux opérations de coupe abrasive

- ◆ **Ne coincez pas le disque à tronçonner et ne lui appliquez pas de pression excessive. Ne tentez pas de réaliser des découpes de trop grandes profondeurs.** Une pression excessive sur le disque augmente la charge imposée à l'outil et les possibilités de torsion ou de grippage du disque dans la coupe et par conséquent les risques de rebonds ou de ruptures.
- ◆ **Ne placez pas votre corps dans l'alignement ou derrière le disque en rotation.** Lorsque le disque, au point d'exécution, s'éloigne de votre corps, le rebond possible peut le propulser avec l'outil électrique directement vers vous.

- ◆ **En cas de grippage du disque ou si une coupe est interrompue pour une quelconque raison, éteignez l'outil électrique et maintenez-le immobile jusqu'à l'arrêt complet du disque. Ne tentez jamais de retirer un disque à tronçonner de la coupe alors qu'il est en rotation, un rebond pourrait sinon se produire.** Cherchez la cause du grippage du disque et appliquez les actions correctives afin de la supprimer.
- ◆ **Ne redémarrez pas l'outil dans l'ouvrage. Laissez le disque tourner à plein régime puis ré-entrez le prudemment dans la coupe.** Le disque pourrait sinon se gripper, sortir de la coupe ou rebondir si l'outil électrique était remis en marche à l'intérieur de la pièce à découper.
- ◆ **Soutenez les panneaux et les pièces de grandes tailles afin de minimiser le risque de coincement du disque et les rebonds.** Les pièces de grande taille ont tendance à s'affaisser sous leur propre poids. Des supports doivent être placés sous la pièce à découper, près de la ligne de découpe, des deux côtés du disque.
- ◆ **Prenez des précautions supplémentaires pour les « découpes de cavités » dans des murs existants ou dans toute zone à visibilité limitée.** La saillie du disque pourrait couper des canalisations de gaz ou d'eau, des fils électriques ou des objets pouvant provoquer des rebonds.

Consignes de sécurité spécifiques aux opérations de ponçage

- ◆ **N'utilisez pas de disques de papier abrasif surdimensionnés. Suivez les recommandations des fabricants pour sélectionner le papier abrasif.** Les feuilles de papier abrasif de grande taille, dépassant du patin de ponçage, posent des risques de laceration, et peuvent provoquer l'accrochage ou la rupture du disque ou des rebonds.

Consignes de sécurité spécifiques aux opérations de polissage

- ◆ **Ne laissez aucune portion flottante du bonnet de polissage ou de ses cordons de fixation tourner librement. Rangez ou coupez les parties de cordons de fixation en surplus.** Des cordons de fixation trop longs, en rotation libre, peuvent se prendre dans les doigts ou dans la pièce à travailler.

Sécurité des personnes

- ◆ **Cet outil n'est pas prévu pour être utilisé par des personnes (y compris des enfants) ayant des capacités mentales, sensorielles ou physiques réduites, ou celles manquant d'expérience et de connaissances, à moins qu'elles ne soient encadrées ou qu'elles n'aient été formées à l'utilisation de l'appareil par une personne responsable de leur sécurité.**

- ◆ Ne laissez jamais les enfants sans surveillance pour éviter qu'ils ne jouent avec cet appareil.



Portez des lunettes de protection lorsque vous utilisez cet outil.



Portez des protections auditives lorsque vous utilisez cet outil.

Risques résiduels.

Certains risques résiduels autres que ceux mentionnés dans les avertissements sur la sécurité peuvent survenir en utilisant l'outil. Ces risques peuvent être provoqués par une utilisation incorrecte, prolongée, etc...

Malgré l'application des normes de sécurité pertinentes et la présence de dispositifs de sécurité, certains risques résiduels ne peuvent pas être évités. Ils comprennent :

- ◆ **Les blessures dues au contact avec une pièce rotative/mobile.**
- ◆ **Les blessures dues au remplacement de pièces, lames ou accessoires.**
- ◆ **Les blessures dues à l'utilisation prolongée d'un outil. Lorsque l'outil est utilisé pendant de longues périodes, assurez-vous de faire des pauses régulières.**
- ◆ **La diminution de l'acuité auditive.**
- ◆ **Les risques sanitaires dus à l'inhalation de poussières émises pendant l'utilisation de l'outil (exemple : travail avec du bois, surtout le chêne, le hêtre et les panneaux en MDF).**

Vibrations

La valeur des émissions de vibrations déclarée dans les caractéristiques techniques et la déclaration de conformité a été mesurée conformément à la méthode de test standard de la norme EN60745 et peut être utilisée pour comparer un outil à un autre. La valeur des émissions de vibrations déclarée peut aussi être utilisée pour une évaluation préliminaire de l'exposition.

Avertissement ! En fonction de la manière dont l'outil est utilisé, la valeur des émissions de vibrations réelles pendant l'utilisation de l'outil peut différer de la valeur déclarée. Le niveau des vibrations peut dépasser le niveau déclaré. Quand l'exposition aux vibrations est évaluée afin de déterminer les mesures de sécurité requises par la norme 2002/44/CE pour protéger les personnes utilisant régulièrement des outils électriques, cette estimation doit tenir compte des conditions réelles d'utilisation et de la façon dont l'outil est utilisé. Il faut également tenir compte de toutes les composantes du cycle de fonctionnement comme la durée pendant laquelle l'outil est arrêté et quand il fonctionne au ralenti, ainsi que la durée du déclenchement.

Étiquettes sur l'outil

Les pictogrammes qui suivent figurent sur l'outil avec le code date :



Avertissement ! Pour réduire le risque de blessures, l'utilisateur doit lire le manuel d'instructions.



Cet outil est doublement isolé et ne nécessite donc aucun fil de terre. Vérifiez toujours que l'alimentation électrique correspond à la tension indiquée sur la plaque signalétique.

- ◆ Si le câble d'alimentation est endommagé, il doit être remplacé par le fabricant ou par un centre de réparation agréé BLACK+DECKER afin d'éviter tout accident.

Caractéristiques

Cet outil dispose de tout ou partie des caractéristiques suivantes.

1. Interrupteur Marche/Arrêt
2. Poignée latérale
3. Verrou de l'axe
4. Dispositif de protection

Assemblage

Avertissement ! Avant l'assemblage, assurez-vous que l'outil est éteint et débranché.

Installation et retrait de la protection (figure A)

L'outil est livré avec un dispositif de protection destiné uniquement aux opérations de meulage. Si l'appareil est prévu pour effectuer des opérations de tronçonnage, un dispositif de protection spécifique à cette opération doit être installé. Des protections adaptées aux opérations de tronçonnage (N° de pièce 1004702-27 et 1004702-28 pour les KG711/KG911 et les KG912/KG752) sont disponibles dans les centres de réparation agréés BLACK & DECKER.

Installation et retrait de la protection (figures A) seulement KG912

Une protection ayant pour seule fonction de couper le courant, se trouve sur l'outil. Si l'outil doit effectuer des ponçages, une protection spécifique doit être installée. Une protection adaptée au ponçage, réf. 1004702-36, est disponible dans les centres de réparation agréés BLACK & DECKER.

Installation

- ◆ Placez la meuleuse d'angle sur une table, l'axe (5) vers le haut.
- ◆ Alignez les ergots (8) avec les encoches (9).
- ◆ Abaissez la protection (4) et tournez-la à la position voulue.

- ◆ Vissez fermement la vis (6).
- ◆ Pour retirer la protection, desserrez la vis

Avertissement ! N'utilisez jamais l'outil sans la protection.

Installation de la poignée latérale

- ◆ Vissez la poignée latérale (2) dans un des trous de montage sur l'outil.

Avertissement ! Utilisez toujours la poignée latérale.

Installation et retrait du disque de coupe ou de ponçage (figures B à D)

Utilisez toujours le bon type de disque en fonction de votre intervention. Utilisez toujours des disques du bon diamètre et dont le trou est à la bonne taille (voir donnée technique).

Installation

- ◆ Installez la protection comme décrit ci-dessus.
- ◆ Placez la bride intérieure (10) sur l'axe (5) comme indiqué (fig. B). Assurez-vous que la bride est correctement positionnée sur les côtés plats de l'axe.
- ◆ Placez le disque (11) sur l'axe (5) comme illustré (figure B). Si le disque est bombé au centre (12), assurez-vous que la partie bombée pointe vers la bride intérieure.
- ◆ Assurez-vous que le disque tourne correctement sur la bride intérieure.
- ◆ Placez la bride extérieure (13) sur l'axe. Lorsque vous installez un disque à meuler, le centre bombé sur la bride extérieure doit pointer vers le disque (A sur la fig. C). Lors du montage d'un disque de coupe, le centre surélevé sur le flasque extérieur doit être orienté à l'opposé du disque (B dans la figure C).
- ◆ Maintenez le dispositif de verrouillage de l'axe (3) enfoncé et serrez la bride extérieure à l'aide de la clé à deux griffes (14) (fig. D).

Retrait

- ◆ Maintenez le dispositif de verrouillage de l'axe (3) enfoncé et desserrez la bride extérieure (13) à l'aide de la clé à deux griffes (14) (fig. D).
- ◆ Retirez la bride extérieure (13) et le disque (11).

Installation et retrait des disques de ponçage (fig. D et E)

Un patin-support est nécessaire pour le ponçage. Le patin-support est un accessoire disponible auprès de votre revendeur BLACK+DECKER.

Installation

- ◆ Placez la bride intérieure (10) sur l'axe (5) comme indiqué (fig. E). Assurez-vous que la bride est correctement positionnée sur les côtés plats de l'axe.
- ◆ Placez le patin-support (15) sur l'axe.

- ◆ Placez le disque de ponçage (16) sur le patin-support.
- ◆ Installez la bride extérieure (13) sur l'axe en orientant le centre bombé vers l'extérieur du disque.
- ◆ Maintenez le dispositif de verrouillage de l'axe (3) enfoncé et serrez la bride extérieure à l'aide de la clé à deux griffes (14) (fig. D). Assurez-vous que le flasque extérieur est correctement installé et que le disque est fermement serré.

Retrait

- ◆ Maintenez le dispositif de verrouillage de l'axe (3) enfoncé et desserrez la bride extérieure (13) à l'aide de la clé à deux griffes (14) (fig. D).
- ◆ Retirez la bride extérieure (13), le disque de ponçage (16) et le patin-support (15).

Utilisation

Avertissement ! Laissez l'outil fonctionner à son propre rythme. Ne le poussez pas au-delà de sa limite.

- ◆ Guidez soigneusement le câble afin d'éviter de le couper accidentellement.
- ◆ Restez préparé à l'apparition d'un faisceau d'étincelles au moment où le disque à meuler ou à tronçonner touche l'ouvrage.
- ◆ Placez toujours l'outil de manière à ce que la protection vous protège au maximum du disque de meulage ou de tronçonnage.

Mise en marche et arrêt

- ◆ Pour allumer la machine, glissez l'interrupteur Marche/Arrêt (1) vers l'avant. Il est à noter que l'outil continue à tourner lorsque vous relâchez l'interrupteur.
- ◆ Pour étendre l'outil, appuyez sur la partie arrière de l'interrupteur Marche/Arrêt.

Avertissement ! N'éteignez pas l'outil s'il ne tourne pas à vide.

Fonction Démarrage en douceur

La fonction Démarrage en douceur permet d'augmenter la vitesse progressivement et d'éviter la secousse initiale du démarrage. Cette fonctionnalité est particulièrement utile pour travailler dans des espaces réduits.

Perte de tension

La fonction Perte de tension stoppe le redémarrage de la meuleuse sans que l'interrupteur ne soit actionné en cas de coupure de l'alimentation électrique.

Conseils pour une utilisation optimale

- ◆ Maintenez fermement l'outil en plaçant une main autour de la poignée latérale et l'autre main autour de la poignée principale.
- ◆ Pendant le meulage, maintenez toujours un angle d'environ 15° entre le disque et la surface de la pièce.

Maintenance

Votre appareil/outil sans fil/avec fil BLACK+DECKER a été conçu pour fonctionner pendant longtemps avec un minimum d'entretien. Le fonctionnement continu et satisfaisant de l'outil dépend d'un entretien adéquat et d'un nettoyage régulier.

Avertissement ! Avant toute intervention de maintenance sur des outils électriques avec ou sans fil :

- ◆ Éteignez l'appareil/l'outil et débranchez-le.
- ◆ Ou, éteignez l'appareil/l'outil et retirez en la batterie si celui-ci est muni d'un bloc-batterie séparé.
- ◆ Ou, déchargez complètement la batterie si elle est intégrée, puis éteignez l'appareil.
- ◆ Débranchez le chargeur avant de le nettoyer. Votre chargeur ne nécessite aucun entretien particulier, à l'exception d'un nettoyage régulier.
- ◆ Nettoyez régulièrement les fentes d'aération de votre appareil/outil/chargeur à l'aide d'une brosse souple ou d'un chiffon sec.
- ◆ Nettoyez régulièrement le carter moteur à l'aide d'un chiffon humide. N'utilisez pas de détergents abrasifs ou à base de solvants.
- ◆ Ouvrez régulièrement le mandrin et retirez la poussière à l'intérieur en tapotant dessus (s'il est installé).

Protection de l'environnement



Tri sélectif. Les produits et batteries marqués de ce symbole ne doivent pas être jetés avec les déchets ménagers.

Les produits et batteries contiennent des matières qui peuvent être récupérées et recyclées afin de réduire la demande en matières premières. Veuillez recycler les produits électriques et les batteries conformément aux dispositions locales en vigueur.

Données techniques

		KG711 (Type 1)
Tension d'entrée	V _{CA}	230
Puissance absorbée	W	750
Vitesse à nominale	min ⁻¹	12 000
Diamètre de disque	mm	115
Orifice du disque	mm	22
Épaisseur max. du disque		
disques à meuler	mm	6
disques à tronçonner	mm	3,5
Taille de l'axe		M14
Poids	kg	2

		KG911-KG912-KG752 (Type 1)
Tension d'entrée	V _{CA}	230
Puissance absorbée	W	KG911, KG912 = 900W KG752 = 800W
Vitesse à nominale	min ⁻¹	12 000
Diamètre de disque	mm	KG711, KG911 = 115 KG912, KG752 = 125
Orifice du disque	mm	22
Épaisseur max. du disque		
disques à meuler	mm	6
disques à tronçonner	mm	3,5
Taille de l'axe		M14
Poids	kg	KG711, KG911, KG752 = 2,1 KG912 = 2,2

		KG711,KG911,KG912
L _{PA} (pression acoustique)		92,6 dB(A), incertitude (K) 3 dB(A)
L _{WA} (pression acoustique)		103,6 dB(A), incertitude (K) 3 dB(A)
Valeurs totales des vibrations (somme vectorielle triaxiale) selon la norme EN60745 :		
Meulage en surface (a _{h,SG})		9,9 m/s ² , incertitude (K) 1,5 m/s ²
Tronçonnage (a _h)		4,6 m/s ² , incertitude (K) 1,5 m/s ²
Polissage (a _{h,p})		4,5 m/s ² , incertitude (K) 1,5 m/s ²
Ponçage disque (a _{h,DS})		9,6 m/s ² , incertitude (K) 1,5 m/s ²

		KG752
L _{PA} (pression acoustique)		94,5 dB(A), incertitude (K) 3 dB(A)
L _{WA} (pression acoustique)		105,5 dB(A), incertitude (K) 3 dB(A)
Valeurs totales des vibrations (somme vectorielle triaxiale) selon la norme EN60745 :		
Meulage en surface (a _{h,SG})		9,9 m/s ² , incertitude (K) 1,5 m/s ²
Tronçonnage (a _h)		9,1 m/s ² , incertitude (K) 1,5 m/s ²
Polissage (a _{h,p})		5,0 m/s ² , incertitude (K) 1,5 m/s ²
Ponçage disque (a _{h,DS})		3,3 m/s ² , incertitude (K) 1,5 m/s ²

Déclaration de conformité CE

DIRECTIVES MACHINES



Meuleuses d'angle KG711, KG911, KG912, KG752
Black & Decker déclare que les produits décrits
dans les "Données techniques" sont conformes

aux normes :

2006/42/CE, EN60745-1:2009 +A11:2010;

EN60745-2-3:2011 +A2:2013 +A11:2014 +A12:2014

Ces produits sont aussi conformes aux directives 2004/108/
CE (jusqu'au 19.04.2016), 2014/30/UE (à partir du
20.04.2016) et 2011/65/UE. Pour plus de détails, veuillez
contacter Black & Decker à l'adresse suivante ou vous repor-
ter au dos du manuel.

Le soussigné est responsable des données de la fiche tech-
nique et fait cette déclaration au nom de Black & Decker.

Directeur Ingénierie

Black & Decker Europe, 210 Bath Road, Slough,

Berkshire, SL1 3YD, Royaume-Uni

18.11.2015

Garantie

Black & Decker assure la qualité de ses produits et offre
une garantie* de 24 mois aux utilisateurs, à partir de la date
d'achat. Cette garantie s'ajoute à vos droits légaux auxquels
elle ne porte aucunement préjudice. Cette garantie est valable
au sein des territoires des États membres de l'Union Européen-
ne et au sein de la Zone européenne de libre-échange. Pour
prétendre à la garantie, la réclamation doit être en conformité
avec les conditions générales de Black & Decker et vous
devez fournir une preuve d'achat au vendeur ou au réparateur
agréé.

Les conditions générales de la garantie de 2 ans
Black&Decker ainsi que l'adresse du réparateur agréé le
plus proche sont disponibles sur le site Internet www.2helpU.com
ou en contactant votre agence Black & Decker locale à
l'adresse indiquée dans ce manuel.

Veuillez consulter notre site Internet www.blackanddecker.co.uk
pour enregistrer votre nouveau produit Black & Decker
et pour être tenu informé des nouveaux produits et offres
spéciales.

Uso previsto

Le smerigliatrici angolari BLACK+DECKER KG711, KG911, KG912, KG752 sono state progettate per la molatura e il taglio di metallo e muratura usando il tipo appropriato di disco di taglio o mola. Una volta montata la protezione appropriata, questo utensile è destinato esclusivamente all'uso da parte del consumatore.

Istruzioni di Sicurezza

Avvisi di sicurezza generici per gli elettrotensili



Avvertenza! Leggere attentamente tutte le avvertenze e le istruzioni. La mancata osservanza dei presenti avvisi e istruzioni potrebbe causare scosse elettriche, incendi e/o infortuni gravi.

Conservare tutti gli avvertimenti e le istruzioni per consultazioni future Il termine "elettrotensile" che ricorre in tutti gli avvisi seguenti si riferisce ad utensili elettrici con o senza filo.

1. Sicurezza nella zona di lavoro

- Mantenere pulita e bene illuminata l'area di lavoro.** Gli ambienti disordinati o scarsamente illuminati favoriscono gli incidenti.
- Evitare di usare gli elettrotensili in ambienti esposti a rischio di esplosione, ad esempio in presenza di liquidi, gas o polveri infiammabili.** Gli apparati elettrici creano scintille che possono incendiare le polveri o i fumi.
- Tenere lontani bambini e astanti mentre si usa un elettrotensile.** Le distrazioni possono provocare la perdita di controllo.

2. Sicurezza elettrica

- Le spine elettriche degli elettrotensili devono essere adatte alla presa. Non modificare la spina in alcun modo. Non collegare un adattatore alla spina di un apparato elettrico dotato di scarico a terra.** Per ridurre il rischio di scossa elettrica evitare di modificare le spine e utilizzare sempre le prese appropriate.
- Evitare il contatto fisico con superfici collegate a terra, tipo tubi, radiatori, forni e frigoriferi.** Se il proprio corpo è collegato con la terra, il rischio di scossa elettrica aumenta.
- Custodire gli elettrotensili al riparo dalla pioggia o dall'umidità.** Se l'acqua entra nell'apparato elettrico aumenta il rischio di scossa elettrica.
- Non utilizzare il cavo in modo improprio. Non utilizzare mai il cavo per spostare, tirare o scollegare l'apparato elettrico. Tenere il cavo elettrico lontano da fonti di calore, olio, bordi taglienti o parti in movimento.** Se il cavo è danneggiato o impigliato, il rischio di scossa elettrica aumenta.

- Se l'elettrotensile viene adoperato all'aperto, usare esclusivamente prolunghie omologate per l'impiego all'esterno.** L'uso di un cavo elettrico adatto ad ambienti esterni riduce il rischio di scossa elettrica.
- Se non è possibile evitare di lavorare in una zona umida, usare un'alimentazione elettrica protetta da un dispositivo a corrente residua (RCD).** L'uso di un interruttore differenziale riduce il rischio di scossa elettrica.

3. Sicurezza delle persone

- È importante concentrarsi su ciò che si sta facendo e maneggiare con giudizio l'elettrotensile. Non utilizzare l'apparato elettrico quando si è stanchi o sotto l'effetto di droghe, alcool o medicinali.** Un solo attimo di distrazione durante l'uso di tali apparati potrebbe provocare gravi lesioni personali
 - Usare l'equipaggiamento di protezione personale. Utilizzare sempre protezioni oculari.** L'uso di abbigliamento di protezione quali mascherine antipolvere, scarpe antinfortunistiche antiscivolo, caschi di sicurezza o protezioni uditive, in condizioni opportune consente di ridurre le lesioni personali.
 - Impedire l'avviamento involontario. Accertarsi che l'interruttore di accensione sia regolato su spento prima di collegare l'elettrotensile all'alimentazione elettrica e/o al battery pack, di prenderlo in mano o di trasportarlo.** Il trasporto di apparati elettrici tenendo il dito sull'interruttore o quando sono collegati alla rete elettrica con l'interruttore nella posizione di acceso provoca incidenti.
 - Prima di accendere un elettrotensile, togliere eventuali utensili o chiavi di regolazione.** Un utensile di regolazione o una chiave fissati su una parte rotante dell'apparato elettrico possono provocare lesioni personali.
 - Non sbilanciarsi. Mantenere sempre un appoggio ed equilibrio adeguati.** Ciò consente un migliore controllo dell'apparato nelle situazioni impreviste.
 - Vestirsi adeguatamente. Non indossare abiti lenti o gioielli. Tenere i capelli, i vestiti e i guanti lontano dalle parti mobili.** Abiti larghi, gioielli o capelli lunghi possono impigliarsi nelle parti in movimento.
 - Se gli elettrotensili sono provvisti di attacchi per il collegamento di dispositivi di aspirazione o di raccolta della polvere, assicurarsi che questi siano installati e utilizzati correttamente.** La raccolta delle polveri può ridurre i pericoli legati a queste ultime.
- #### 4. Uso e cura degli elettrotensili
- Non sovraccaricare l'elettrotensile. Utilizzare un apparato adatto al lavoro da eseguire.** L'apparato lavora meglio e con maggior sicurezza se utilizzato secondo quanto è stato previsto.

- b. **Non utilizzare elettrotensili con interruttori difettosi.** Qualsiasi apparato elettrico che non possa essere controllato tramite l'interruttore è pericoloso e deve essere riparato.
- c. **Scollegare la spina dalla presa di corrente e/o il battery pack dall'elettrotensile prima di regolarlo, sostituirne gli accessori o di ripararlo.** Queste misure di sicurezza preventive riducono il rischio di azionare l'apparato accidentalmente.
- d. **Quando non vengono usati, gli elettrotensili devono essere custoditi fuori dalla portata dei bambini. Non consentire l'uso dell'elettrotensile a persone inesperte o che non abbiano letto le presenti istruzioni.** Gli apparati elettrici sono pericolosi in mano a persone inesperte.
- e. **Sottoporre gli elettrotensili a regolare manutenzione. Verificare che le parti mobili siano bene allineate e non inceppate, che non vi siano componenti rotti e che non sussistano altre condizioni che possono compromettere il funzionamento dell'elettrotensile. Se danneggiato, far riparare l'apparato elettrico prima dell'uso.** Molti incidenti sono provocati da apparati elettrici su cui non è stata effettuata la corretta manutenzione.
- f. **Mantenere affilati e puliti gli strumenti da taglio.** La manutenzione corretta degli utensili da taglio con bordi affilati riduce le probabilità di inceppamento e ne facilita il controllo.
- g. **Utilizzare l'elettrotensile, gli accessori e le punte in conformità alle presenti istruzioni, tenendo conto delle condizioni di lavoro e del lavoro da completare.** L'utilizzo dell'apparato elettrico per impieghi diversi da quelli previsti può provocare situazioni di pericolo.

5. Assistenza

- a. **Fare riparare l'elettrotensile esclusivamente da personale specializzato e solo usando pezzi di ricambio originali.** In questo modo viene garantita la sicurezza dell'apparato elettrico.

Altri avvisi di sicurezza per gli elettrotensili



Avvertenza! Ulteriori avvisi di sicurezza per le operazioni di levigatura, sabbatura, lucidatura o taglio abrasivo

- ◆ **Questo elettrotensile è destinato all'uso come smerigliatrice, sabbatrice o utensile da taglio. Leggere attentamente tutte le avvertenze, istruzioni, illustrazioni e specifiche fornite con l'apparato.** La mancata osservanza delle istruzioni seguenti può dar luogo a scossa elettrica, incendio e/o lesioni gravi.

- ◆ **L'esecuzione di operazioni per le quali l'elettrotensile non è stato progettato comporta dei rischi e può causare lesioni personali.**
- ◆ **Non utilizzare accessori non progettati appositamente o non consigliati dal produttore dell'elettrotensile.** Anche se un accessorio può essere collegato all'elettrotensile, ciò non ne garantisce la sicurezza di utilizzo.
- ◆ **La velocità nominale dell'accessorio deve essere almeno pari alla velocità massima indicata sull'elettrotensile.** Gli accessori fatti funzionare a una velocità superiore a quella nominale possono rompersi e disintegrarsi.
- ◆ **Il diametro esterno e lo spessore dell'accessorio devono rientrare nei limiti previsti per l'elettrotensile.** Non è possibile proteggere o controllare adeguatamente gli accessori di dimensioni errate.
- ◆ **L'attacco filettato degli accessori deve corrispondere alla filettatura del mandrino della smerigliatrice. Per gli accessori montati tramite flange, il foro dell'albero dell'accessorio deve corrispondere al diametro di posizionamento della flangia.** Gli accessori che non corrispondono alla struttura di montaggio dell'apparato non mantengono l'equilibrio, vibrano eccessivamente e possono causare la perdita di controllo.
- ◆ **Non utilizzare accessori danneggiati.** Prima di ogni utilizzo controllare gli accessori affinché sulle mole diamantate non vi siano scheggiature e lesioni e non siano presenti crepe o segni eccessivi di usura sul platorello. Se l'elettrotensile o l'accessorio è caduto, verificare eventuali danni o installare un accessorio non danneggiato. Dopo aver ispezionato o installato un accessorio, verificare che l'operatore e le altre persone siano lontane dal piano dell'accessorio in rotazione e far girare l'apparato a vuoto alla massima velocità per un minuto. Gli accessori danneggiati normalmente si rompono durante questa fase di verifica.
- ◆ **Indossare dispositivi di protezione individuale.** A seconda delle operazioni, utilizzare una maschera o occhiali di protezione. Se opportuno, indossare una mascherina antipolvere, protezioni acustiche, guanti e un grembiule da lavoro in grado di arrestare frammenti abrasivi o di lavorazione di piccole dimensioni. La protezione oculare deve impedire ai detriti volanti generati dalle varie operazioni di raggiungere gli occhi. La maschera antipolvere o il respiratore devono essere in grado di filtrare le particelle generate dalle operazioni. L'esposizione prolungata a rumori di alta intensità può causare la perdita dell'udito.
- ◆ **Tenere i non addetti ai lavori a distanza di sicurezza dalla zona di lavoro.** Chiunque acceda alla zona di

lavoro deve indossare abbigliamento di protezione adeguato. Frammenti del pezzo da lavorare o di un accessorio rotto possono volare via e causare lesioni al di là dell'immediata area di lavoro.

- ◆ **Sostenere l'elettrotensile soltanto mediante supporti dotati di superfici isolanti, quando si eseguono operazioni in cui l'accessorio di taglio potrebbe toccare cavi elettrici nascosti o il proprio cavo di alimentazione** Gli accessori da taglio che vengono a contatto con un cavo sotto tensione trasmettono la corrente elettrica anche alle parti metalliche esposte dell'elettrotensile e possono provocare la folgorazione dell'operatore.
- ◆ **Posizionare il cavo lontano dall'accessorio in rotazione.** In caso di perdita di controllo, il cavo può essere tagliato o impigliato e potrebbe avere una forza tale da trascinare la mano o il braccio dell'operatore verso l'accessorio in rotazione.
- ◆ **Non appoggiare mai l'elettrotensile finché l'accessorio non si è completamente arrestato.** L'accessorio in rotazione potrebbe fare presa sulla superficie e trascinare l'elettrotensile, facendone perdere il controllo.
- ◆ **Non azionare l'elettrotensile mentre lo si trasporta sul fianco.** Un contatto accidentale con l'accessorio in rotazione può farlo impigliare ai vestiti e trascinarlo verso il corpo dell'operatore.
- ◆ **Pulire regolarmente le prese d'aria dell'elettrotensile.** La ventola del motore può attirare la polvere all'interno dell'alloggiamento e l'accumulo eccessivo di metallo polverizzato può causare pericoli elettrici.
- ◆ **Non utilizzare l'elettrotensile vicino a materiali infiammabili.** Le scintille possono far incendiare i materiali.
- ◆ **Non utilizzare accessori che richiedono refrigeranti liquidi.** L'utilizzo di acqua o altri liquidi refrigeranti può provocare elettrocuzione o scosse elettriche.

Nota: l'avvertenza riportata sopra non si applica agli elettrotensili specificamente progettati per l'uso con un sistema di raffreddamento a liquido.

Rimbalzo e relative avvertenze

Il rimbalzo è una reazione improvvisa provocata da mole, palette, spazzole o qualsiasi altro accessorio in rotazione che rimanga pinzato o impigliato. Ciò provoca un arresto immediato dell'accessorio rotante, che, a sua volta, causa la perdita di controllo dell'elettrotensile. Quest'ultimo viene spinto nella direzione opposta rispetto alla rotazione dell'accessorio nel punto in cui è stato trattenuto.

Ad esempio, se un disco abrasivo è impigliato o pinzato dal pezzo da lavorare, il bordo della mola penetrato nel punto pinzato può scavare nel materiale e causare lo scavalca-

mento o il rimbalzo della mola. La mola può saltare sia verso l'operatore che in direzione opposta, a seconda della direzione del movimento della mola nel punto pinzato. In queste condizioni è possibile che i dischi abrasivi si spezzino.

Il rimbalzo è il risultato di un uso sbagliato dell'elettrotensile e/o di metodi o condizioni di lavoro scorretti e può essere evitato prendendo le appropriate precauzioni, come descritto di seguito:

- ◆ **Mantenere una salda presa sull'elettrotensile e scegliere una posizione per corpo e braccia che sia in grado di resistere alle forze di rimbalzo. Utilizzare sempre l'impugnatura ausiliaria, se presente, per offrire la massima resistenza al rimbalzo o alla reazione di coppia durante l'avviamento.** L'operatore può frenare la reazione di coppia o la forza di rimbalzo, se vengono prese le precauzioni adatte.
- ◆ **Non porre mai le mani vicino all'accessorio in rotazione.** L'accessorio potrebbe rimbalzare sulle mani dell'operatore.
- ◆ **L'operatore non deve posizionarsi nella zona in cui si potrebbe dirigere l'elettrotensile in caso di rimbalzo.** Il rimbalzo spinge l'elettrotensile nella direzione opposta al movimento della mola nel punto in cui si impiglia.
- ◆ **Prestare particolare attenzione quando si lavorano angoli, estremità appuntite, ecc.** Evitare di far rimbalzare o impigliare l'accessorio. Angoli, estremità appuntite o rimbalzi tendono a fare impigliare l'accessorio in rotazione e a causare la perdita di controllo o il rimbalzo dell'elettrotensile.
- ◆ **Non collegare una lama da motosega per legno o una lama da sega dentata.** Queste lame creano rimbalzi e perdita di controllo frequenti.

Avvertenze di sicurezza specifiche per operazioni di smerigliatura e taglio abrasivo

- ◆ **Usare esclusivamente i tipi di mola raccomandati per il proprio elettrotensile e le protezioni specifiche progettate per la mola selezionata.** Le mole non concepite per l'elettrotensile non possono essere protette adeguatamente e non sono sicure.
- ◆ **La superficie di smerigliatura delle mole premute al centro deve essere montata al di sotto del piano della linguetta di protezione.** Non è possibile fornire una protezione adeguata a una mola non montata correttamente che sporge attraverso il piano della linguetta di protezione.
- ◆ **La protezione deve essere fissata saldamente all'elettrotensile e posizionata per garantire la massima sicurezza, in modo che la mola sporga il meno possibile verso l'operatore.** La protezione serve per proteggere l'operatore da frammenti di mole spezzate, da

un contatto accidentale con la mola e dalle scintille che potrebbero incendiare gli indumenti.

- ◆ **Le mole vanno usate solo nelle operazioni per cui sono raccomandate. Per esempio, non si deve eseguire una lavorazione di smerigliatura con la mola da taglio abrasivo.** Le mole da taglio abrasivo sono progettate per la smerigliatura periferica. Forze laterali applicate a queste mole possono causarne la frantumazione.
- ◆ **Per le mole utilizzare sempre flange non danneggiate, della dimensione e forma corrette per quella mola.** Se le flange sono adeguate, supportano la mola e ne riducono la possibilità di rottura. Le flange per le mole da taglio abrasivo possono differire da quelle per le mole smerigliatrici.
- ◆ **Non utilizzare mole usurate di elettroutensili più potenti.** Le mole progettate per elettroutensili più potenti non sono adatte alle maggiori velocità degli elettroutensili più piccoli e si possono spaccare.

Addizionali avvisi di sicurezza specifici per le operazioni di taglio con abrasivo

- ◆ **Non inceppare il disco di taglio e non esercitare una pressione eccessiva. Non provare a fare tagli troppo profondi.** Una sollecitazione eccessiva del disco aumenta il carico e la suscettibilità del disco stesso a piegarsi o a incepparsi nel taglio con la possibilità di contraccolpi o di rottura del disco.
- ◆ **Non posizionare il corpo in linea con il disco rotante e neppure dietro di esso.** Quando la mola si muove nella direzione di allontanamento dal corpo, il possibile rimbalzo può spingere la mola in rotazione e l'apparato proprio verso di se.
- ◆ **Se il disco si inceppa, oppure quando, per una qualsiasi ragione, si interrompe l'operazione di taglio, spegnere l'elettroutensile e tenerlo fermo nel pezzo fino a quando il disco si arresta del tutto. Non tentare mai di rimuovere il disco da taglio mentre la mola è in movimento, altrimenti può rimbalzare.** Esaminare e prendere azioni correttive per eliminare le cause che inceppano la lama.
- ◆ **Non riprendere l'operazione di taglio nel pezzo. Far raggiungere la massima velocità alla mola e poi rientrare con attenzione nel taglio.** La mola può incepparsi, scavalcare o rimbalzare se l'apparato elettrico viene riavviato quando ancora è dentro al pezzo in lavorazione.
- ◆ **Sorreggere i pannelli o i pezzi di grandi dimensioni per contenere al massimo il rischio che il disco si inceppi e causi un contraccolpo.** I pezzi più grandi tendono a incurvarsi sotto il loro stesso peso. Devono essere collocati dei supporti sotto al pezzo da entrambi i lati, vicino la linea di taglio e alle estremità del pannello, da entrambi i lati della mola.

- ◆ **Prestare una maggiore attenzione quando si pratica un "taglio di cavità" in pareti esistenti o in altre zone con scarsa visibilità.** La parte sporgente della mola può tagliare tubi del gas o dell'acqua, cavi elettrici o anche oggetti che possono provocare il ribalzo.

Avvisi di sicurezza specifici per le operazioni di levigatura

- ◆ **Non usare dischi di levigatura di dimensioni maggiorate. Seguire i consigli del fabbricante quando si sceglie la carta vetrata.** Una carta vetrata che sporga oltre il platello di sabbiatura presenta il rischio di lacerazioni e può restare impigliata, strappare il disco o rimbalzare.

Avvisi di sicurezza specifici per le operazioni di lucidatura

- ◆ **Non lasciare che né le parti allentate della cuffia di lucidatura né le cordicelle di fissaggio girino liberamente. Riavvolgere o tagliare eventuali cordicelle di fissaggio pendenti.** Le cordicelle pendenti o rotanti possono intrappolare le dita dell'operatore o impigliarsi sul pezzo da lavorare.

Sicurezza altrui

- ◆ Questo apparecchio non è stato progettato per impiego da parte di persone (o bambini) portatrici di handicap fisici, psichici o sensoriali o che non abbiano la dovuta esperienza o conoscenza, a meno che non siano seguite o opportunamente istruite sul suo impiego da parte di una persona responsabile della loro sicurezza.
- ◆ I bambini devono essere sorvegliati per assicurarsi che non giochino con l'apparecchio.

Rischi residui.

L'utilizzo dell'apparecchio può comportare altri rischi non contemplati negli avvisi di sicurezza qui riportati. Tali rischi possono sorgere a seguito di un uso prolungato o improprio, ecc.

Pur osservando le norme di sicurezza e utilizzando dispositivi di protezione adeguati, certi rischi non possono essere evitati. Sono inclusi:

- ◆ **Lesioni causate o subite a seguito del contatto con parti rotanti/in movimento.**
- ◆ **Lesioni causate o subite durante la sostituzione di parti, lame o accessori.**
- ◆ **Lesioni causate dall'impiego prolungato di un elettroutensile. Quando si usa qualsiasi apparecchio per lunghi periodi, accertarsi di fare regolarmente delle pause.**
- ◆ **Menomazioni uditive.**

- ◆ **Rischi per la salute causati dall'aspirazione di polvere generata dall'utilizzo dell'elettrotensile (ad esempio quando si lavora con il legno, in modo particolare quello di quercia, faggio o l'MDF.)**

Vibrazioni

I valori dichiarati delle emissioni di vibrazioni al paragrafo Dati tecnici e nella Dichiarazione di conformità del presente manuale sono stati misurati in base al metodo di test standard previsto dalla normativa EN60745 e possono essere usati come parametri di confronto tra due utensili. Il valore delle emissioni di vibrazioni dichiarato può anche essere usato come valutazione preliminare dell'esposizione.

Avvertenza! Il valore delle emissioni di vibrazioni durante l'impiego effettivo dell'elettrotensile può variare da quello dichiarato a seconda delle modalità d'uso.

Il livello delle vibrazioni può aumentare oltre quello dichiarato. Quando si valuta l'esposizione alle vibrazioni per determinare le misure di sicurezza richieste dalla normativa 2002/44/CE destinata alla protezione delle persone che usano regolarmente gli elettrotensili nello svolgimento delle proprie mansioni, è necessario prendere in considerazione le condizioni effettive di utilizzo e il modo in cui l'utensile è usato, oltre a tenere in conto tutte le componenti del ciclo operativo, vale a dire i periodi in cui l'elettrotensile è spento, quelli in cui è acceso ma a riposo e quelli in cui è effettivamente utilizzato.

Etichette sull'apparato

Sull'elettrotensile sono presenti i seguenti simboli assieme al codice data:



Avvertenza! Per ridurre il rischio di infortuni, l'utente deve leggere il manuale d'uso.



Indossare occhiali di sicurezza quando si usa l'elettrotensile.



Indossare otoprotezioni quando si usa questo elettrotensile.

Sicurezza elettrica



Il doppio isolamento di cui è provvisto l'elettrodomestico rende superfluo il filo di terra. La fornitura del voltaggio e della corrente deve essere conforme alle specifiche indicate sulla targa.

- ◆ In caso di danneggiamento del filo di alimentazione, è necessario farlo riparare dal fabbricante o presso un centro assistenza BLACK+DECKER autorizzato in modo da evitare eventuali pericoli.

Caratteristiche

Questo elettrodomestico presenta alcune o tutte le seguenti caratteristiche.

1. Interruttore acceso/spento
2. Impugnatura laterale
3. Blocco dell'alberino
4. Riparo

Assemblaggio

Avvertenza! Prima di montare l'elettrotensile, assicurarsi che sia spento e scollegato dalla presa di corrente.

Montaggio e smontaggio della protezione (fig. A)

L'elettrotensile è dotato di protezione adatta solo alle operazioni di smerigliatura. Se deve invece essere usato per il taglio, è necessario montare una protezione specifica, idonea a tale operazione. Una protezione idonea alle operazioni di taglio, numero di parte 1004702-27 per il modello KG711/KG911 e 1004702-28 per il KG912/KG752, è reperibile presso i centri di assistenza BLACK+DECKER.

Montaggio e smontaggio della protezione (fig. A) solo KG912

L'elettrotensile è dotato di protezione adatta solo alle operazioni di taglio. Se deve invece essere usato per la smerigliatura, è necessario montare una protezione specifica, idonea a tale operazione. Per le operazioni di smerigliatura è disponibile la protezione parte n. 1004702-36, reperibile presso i centri di assistenza BLACK & DECKER.

Montaggio

- ◆ Poggiare la smerigliatrice angolare su un tavolo, con l'alberino (5) in su.
- ◆ Allineare le linguette (8) alle tacche (9).
- ◆ Premere la protezione (4) verso il basso e ruotarla sulla posizione richiesta.
- ◆ Avvitare e serrare la vite (6).
- ◆ Per rimuovere la protezione, allentare la vite.

Avvertenza! Non usare mai l'elettrotensile senza la protezione.

Montaggio dell'impugnatura laterale

- ◆ Avvitare l'impugnatura laterale (2) in uno dei fori di fissaggio nell'elettrotensile.

Avvertenza! Usare sempre l'impugnatura laterale.

Montaggio e rimozione dei dischi di smerigliatura o di taglio (fig. B - D)

Usare sempre il corretto tipo di disco per l'applicazione in oggetto. Usare sempre dischi con diametro e alesaggio di misura corretta (vedere i dati tecnici).

Montaggio

- ◆ Montare la protezione come descritto qui sopra.
- ◆ Appoggiare la flangia interna (10) sull'alberino (5) come illustrato (fig. B). Verificare che la flangia sia correttamente situata sui lati piatti dell'alberino.
- ◆ Appoggiare il disco (11) sull'alberino (5) come illustrato (fig. B). Se il disco ha un centro convesso (12), accertarsi che sia rivolto verso la flangia interna.
- ◆ Verificare che il disco si centri correttamente sulla flangia interna.
- ◆ Appoggiare la flangia esterna (13) sull'alberino. Quando si monta un disco di smerigliatura, il centro sollevato sulla flangia esterna deve essere rivolto verso il disco (A in fig. C). Quando si monta un disco di taglio, il centro sollevato sulla flangia esterna deve essere rivolto dalla parte opposta al disco (B in fig. C).
- ◆ Tenere premuto il blocco dell'alberino (3) e serrare la flangia esterna usando la chiave a due perni (14) (fig. D).

Smontaggio

- ◆ Tenere premuto il blocco dell'alberino (3) e allentare la flangia esterna (13) usando la chiave a due perni (14) (fig. D).
- ◆ Rimuovere la flangia esterna (13) e il disco (11).

Montaggio e rimozione dei dischi di levigatura (figg. D ed E)

Per la levigatura, è necessario usare un tampone di rinforzo. Tale tampone di rinforzo è reperibile quale accessorio presso il rivenditore BLACK+DECKER di zona.

Montaggio

- ◆ Appoggiare la flangia interna (10) sull'alberino (5) come illustrato (fig. E). Verificare che la flangia sia correttamente situata sui lati piatti dell'alberino.
- ◆ Infilare il tampone di rinforzo (15) sull'alberino.
- ◆ Posizionare il disco di levigatura (16) sul tampone di rinforzo.
- ◆ Appoggiare la flangia esterna (13) sull'alberino con il centro sollevato rivolto dalla parte opposta al disco.
- ◆ Tenere premuto il blocco dell'alberino (3) e serrare la flangia esterna usando la chiave a due perni (14) (fig. D). Verificare che la flangia esterna sia montata correttamente e che il disco sia serrato saldamente.

Smontaggio

- ◆ Tenere premuto il blocco dell'alberino (3) e allentare la flangia esterna (13) usando la chiave a due perni (14) (fig. D).
- ◆ Smontare la flangia esterna (13), il disco di levigatura (16) e il tampone di rinforzo (15).

Utilizzo

Avvertenza! Lasciare che l'elettrotensile funzioni al suo ritmo. Non sovraccaricarlo.

- ◆ Stendere con attenzione il cavo per evitare di tagliarlo accidentalmente.
- ◆ Aspettarsi tutta una serie di scintille quando il disco di smerigliatura o di taglio tocca il pezzo.
- ◆ Posizionare sempre l'elettrotensile affinché la protezione possa proteggere in modo ottimale dal disco di smerigliatura o di taglio.

Accensione e spegnimento

- ◆ Per accenderlo, far scorrere in avanti l'interruttore di accensione (1). Tenere presente che l'elettrotensile continuerà a funzionare quando si rilascia l'interruttore.
- ◆ Per spegnere l'elettrotensile, premere la parte posteriore dell'interruttore di accensione.

Avvertenza! Non spegnere l'elettrotensile quando è sotto carico.

Funzione di avviamento lento

La funzione di avviamento lento consente una velocità di partenza rallentata per evitare il sobbalzo iniziale. Questa caratteristica è particolarmente utile quando si lavora in spazi ristretti.

No-Volt

La funzione No-Volt interrompe il riavvio della smerigliatrice senza l'attivazione e disattivazione dell'interruttore in caso di interruzione dell'alimentazione.

Consigli per un utilizzo ottimale

- ◆ Tenere saldamente l'elettrotensile con una mano sull'impugnatura laterale e l'altra su quella principale.
- ◆ Durante la smerigliatura, mantenere sempre un angolo di 15° circa tra il disco e la superficie del pezzo.

Manutenzione

Questo elettrotensile BLACK+DECKER con o senza filo è stato progettato per funzionare a lungo con una manutenzione minima. Prestazioni sempre soddisfacenti dipendono da una cura appropriata e da una pulizia regolare.

Avvertenza! Prima di eseguire interventi di manutenzione su elettrotensili con o senza filo procedere come descritto di seguito.

- ◆ Spegnerlo e scollegare l'apparecchio/elettrotensile dalla presa di corrente.
- ◆ Oppure spegnere ed estrarre la batteria se l'apparecchio/elettrotensile è dotato di battery pack a parte.
- ◆ Oppure scaricare completamente la batteria se è di tipo integrale e quindi spegnerlo.

- ◆ Scollegare l'alimentatore dalla spina prima di pulirlo. Il caricabatteria non richiede nessuna manutenzione salvo una regolare pulitura.
- ◆ Pulire regolarmente le prese di ventilazione dell'apparecchio/elettrotensile/caricabatterie con un pennello o con un panno morbido e asciutto.
- ◆ Il vano del motore deve essere pulito regolarmente con un panno umido. Non usare materiali abrasivi o detergenti a base di solventi.
- ◆ Aprire regolarmente il mandrino e batterlo leggermente per eliminare la polvere dall'interno (se in dotazione).

Protezione dell'ambiente



Effettuare la raccolta differenziata. I prodotti e le batterie contrassegnati con questo simbolo devono essere smaltiti con i rifiuti domestici normali.

I prodotti e le batterie contengono materiali che possono essere recuperati o riciclati riducendo la richiesta di materie prime. Riciclare i prodotti elettrici e le batterie secondo le disposizioni locali.

Dati tecnici

KG711 (Tipo 1)		
Tensione in ingresso	V _{AC}	230
Potenza assorbita	W	750
Velocità nominale	min ⁻¹	12.000
Diametro disco	mm	115
Alesaggio disco	mm	22
Spessore max. disco		
dischi di smerigliatura	mm	6
dischi di taglio	mm	3,5
Misura alberino		M14
Peso	kg	2

KG911-KG912-KG752 (Tipo 1)		
Tensione in ingresso	V _{AC}	230
Potenza assorbita	W	KG911, KG912 = 900W KG752 = 800W
Velocità nominale	min ⁻¹	12.000
Diametro disco	mm	KG711, KG911 = 115 KG912, KG752 = 125
Alesaggio disco	mm	22
Spessore max. disco		
dischi di smerigliatura	mm	6
dischi di taglio	mm	3,5
Misura alberino		M14
Peso	kg	KG711, KG911, KG752 = 2,1 KG912 = 2,2

KG711, KG911, KG912	
L _{pA} (pressione sonora)	92,6 dB(A), incertezza (K) 3 dB(A)
L _{WA} (pressione acustica)	103,6 dB(A), incertezza (K) 3 dB(A)
Valori totali vibrazioni (somma vettoriale triassiale) in base a EN60745:	
Smerigliatura superficiale (a _{h,SG})	9,9 m/s ² , incertezza (K) 1,5 m/s ²
Taglio (a _h)	4,6 m/s ² , incertezza (K) 1,5 m/s ²
Lucidatura (a _{h,P})	4,5 m/s ² , incertezza (K) 1,5 m/s ²
Levigatura a disco (a _{h,DS})	9,6 m/s ² , incertezza (K) 1,5 m/s ²

KG752	
L _{pA} (pressione sonora)	94,5 dB(A), incertezza (K) 3 dB(A)
L _{WA} (pressione acustica)	105,5 dB(A), incertezza (K) 3 dB(A)
Valori totali vibrazioni (somma vettoriale triassiale) in base a EN60745:	
Smerigliatura superficiale (a _{h,SG})	9,9 m/s ² , incertezza (K) 1,5 m/s ²
Taglio (a _h)	9,1 m/s ² , incertezza (K) 1,5 m/s ²
Lucidatura (a _{h,P})	5,0 m/s ² , incertezza (K) 1,5 m/s ²
Levigatura a disco (a _{h,DS})	3,3 m/s ² , incertezza (K) 1,5 m/s ²

Dichiarazione di conformità CE

DIRETTIVA MACCHINE



Smerigliatrici angolari KG711, KG911, KG912, KG752
Black & Decker dichiara che i prodotti descritti al paragrafo
"Dati tecnici" sono conformi alle seguenti normative:
2006/42/EC, EN60745-1:2009 +A11:2010;
EN60745-2-3:2011 +A2:2013 +A11:2014 +A12:2014

Questi prodotti sono conformi alle Direttive 2004/108/CE (fino
al 19.04.2016), 2014/30/UE (dal 20.04.2016) e
2011/65/UE. Per ulteriori informazioni, contattare Black &
Decker all'indirizzo seguente o vedere sul retro del manuale.

Il sottoscritto è responsabile della redazione di questo docu-
mento tecnico e rilascia questa dichiarazione per conto di
Black & Decker.

Ray Laverick
Direttore tecnico

Black & Decker Europe, 210 Bath Road, Slough,
Berkshire, SL1 3YD, Regno Unito
18.11.2015

Garanzia

Black & Decker è sicura della qualità dei propri prodotti e offre ai consumatori una garanzia di 24 mesi dalla data di acquisto. Il presente certificato di garanzia è complementare ai diritti legali e non li pregiudica in alcun modo. La garanzia è valida sui territori degli stati membri dell'Unione Europea o dell'EFTA (Associazione europea di libero scambio). Per attivare la garanzia, il reclamo deve essere effettuato in accordo con i Termini e Condizioni Black & Decker e sarà necessario presentare la prova di acquisto al venditore o all'agente di riparazione autorizzato.

I Termini e condizioni della garanzia Black & Decker di 2 anni e la sede dell'agente di riparazione autorizzato più vicino sono consultabili su Internet all'indirizzo www.2helpU.com, o contattando l'ufficio Black & Decker di zona all'indirizzo indicato in questo manuale.

Visitare il nostro sito www.blackanddecker.co.uk per registrare il nuovo prodotto Black & Decker e ricevere gli aggiornamenti sui nuovi prodotti e le offerte speciali.

Bedoeld gebruik

Uw BLACK+DECKER haakse slijper van het type KG711, KG911, KG912, KG752 is ontworpen voor het slijpen en zagen van metaal en metselwerk met het juiste type zaag- of slijpschijf. Met de juiste beschermkap erop gemonteerd is dit gereedschap uitsluitend bedoeld voor consumentengebruik.

Instructies voor de veiligheid

Algemene veiligheidswaarschuwingen voor elektrisch gereedschap



Waarschuwing! Lees alle veiligheidswaarschuwingen en alle instructies. Wanneer de volgende waarschuwingen en voorschriften niet in acht worden genomen, kan dit een elektrische schok, brand of ernstig letsel tot gevolg hebben.

Bewaar alle waarschuwingen en instructies als referentiemateriaal. Det hierna gebruikte term 'elektrisch gereedschap' in alle waarschuwingen die hieronder worden vermeld, heeft betrekking op elektrisch gereedschap voor gebruik op de netspanning (met netsnoer) of op een accu (snoerloos).

1. Veilige werkomgeving

- Houd uw werkomgeving schoon en goed verlicht.** Op rommelige of donkere plekken zullen sneller ongelukken gebeuren.
- Gebruik elektrisch gereedschap niet in een omgeving met explosiegevaar, zoals in de nabijheid van brandbare vloeistoffen, gassen of stof.** Elektrisch gereedschap veroorzaakt vonken die het stof of de dampen kunnen doen ontbranden.
- Houd kinderen en omstanders tijdens het gebruik van elektrisch gereedschap op afstand.** Als u wordt afgeleid, kunt u de controle over het gereedschap verliezen.

2. Elektrische veiligheid

- De netstekker van het gereedschap moet in het stopcontact passen. Pas de stekker nooit op enige manier aan. Gebruik geen adapterstekkers in combinatie met geaard elektrisch gereedschap.** Niet-aangepaste stekkers en passende contactdozen verminderen het risico van een elektrische schok.
- Vermijd aanraking van het lichaam met geaarde oppervlakken, bijv. leidingen, radiateurs, fornuizen en koelkasten.** Er bestaat een verhoogd risico van een elektrische schok als uw lichaam contact heeft met aarde.
- Stel het gereedschap niet bloot aan regen en vocht.** Als er water in een elektrisch gereedschap dringt, verhoogt dit het risico van een elektrische schok.

- Behandel het snoer voorzichtig. Gebruik het snoer nooit om het elektrische gereedschap te dragen of naar u toe te trekken, of de stekker uit het stopcontact te halen. Houd het snoer uit de buurt van warmte, olie, scherpe randen, of bewegende onderdelen.**

Beschadigde snoeren of snoeren die in de war zijn geraakt, verhogen het risico van een elektrische schok.

- Gebruik, wanneer u buitenshuis met elektrisch gereedschap werkt, alleen verlengsnoeren die zijn goedgekeurd voor gebruik buitenshuis.** Het gebruik van een verlengsnoer dat geschikt is voor buitenshuis, vermindert het risico van een elektrische schok.
- Als u met elektrisch gereedschap werkt op een vochtige locatie, gebruik dan een aardlekschakelaar (RCD).** Het gebruik van een aardlekschakelaar vermindert het risico van een elektrische schok.

3. Persoonlijke veiligheid

- Blijf alert, let goed op wat u doet en ga met verstand te werk bij het gebruik van elektrisch gereedschap. Gebruik het gereedschap niet als u vermoeid bent of onder de invloed van drugs, alcohol of medicatie bent.** Een moment van onoplettendheid tijdens het bedienen van elektrisch gereedschap kan leiden tot ernstig persoonlijk letsel.
- Draag persoonlijke beschermende uitrusting. Draag altijd oogbescherming.** Beschermende uitrusting, zoals een stofmasker, antislip veiligheidsschoenen, een helm, of gehoorbescherming, gebruikt in de juiste omstandigheden, zal het risico op persoonlijk letsel verminderen.
- Zorg ervoor dat het gereedschap niet per ongeluk kan worden ingeschakeld. Controleer dat de schakelaar in de uit-stand staat voordat u het gereedschap aansluit op het stopcontact en/of de accu plaatst en voordat u het gereedschap optilt of gaat dragen.** Het dragen van elektrisch gereedschap met uw vinger op de schakelaar of het aanzetten van elektrisch gereedschap waarvan de schakelaar aan staat, kan leiden tot ongelukken.
- Verwijder instelgereedschap of schroefsleutels voordat u het gereedschap inschakelt.** Een instelgereedschap of sleutel in een draaiend deel van het gereedschap kan tot verwondingen leiden.
- Reik niet te ver. Blijf altijd stevig en in balans op de grond staan.** Dit zorgt voor betere controle over het elektrisch gereedschap in onverwachte situaties.
- Draag geschikte kleding. Draag geen loszittende kleding of sieraden. Houd uw haar, kleding en handschoenen uit de buurt van bewegende onderdelen.** Loszittende kleding, sieraden of lang haar kunnen door bewegende delen worden gegrepen.
- Als voorzieningen voor stofafzuiging en stofopvang kunnen worden gemonteerd, is het belangrijk dat u controleert dat ze goed zijn aangesloten en op juiste**

wijze worden gebruikt. Het gebruik van stofafzuiging kan aan stof gerelateerde gevaren verminderen.

Aanvullende veiligheidswaarschuwingen voor elektrisch gereedschap



Waarschuwing! Aanvullende veiligheidswaarschuwingen voor slijpen, schuren, polijsten of afkortzagen.

4. **Gebruik en onderhoud van elektrisch gereedschap**
 - a. **Overbelast het gereedschap niet. Gebruik het juiste elektrische gereedschap voor uw toepassing.** Met het juiste elektrische gereedschap kunt u de werkzaamheden waarvoor het gereedschap is ontworpen, beter en veiliger uitvoeren.
 - b. **Gebruik het elektrisch gereedschap niet wanneer de schakelaar niet goed werkt.** Ieder gereedschap dat niet met de schakelaar kan worden bediend, is gevaarlijk en moet worden gerepareerd.
 - c. **Trek de stekker uit het stopcontact en/of de accu uit het elektrisch gereedschap voordat u het gereedschap instelt, toebehoren wisselt of het gereedschap opbergt.** Dergelijke preventieve veiligheidsmaatregelen verminderen het risico dat het elektrische gereedschap per ongeluk opstart.
 - d. **Bewaar niet-gebruikte elektrische gereedschappen buiten bereik van kinderen. Laat het gereedschap niet gebruiken door personen die er niet vertrouwd mee zijn en deze aanwijzingen niet hebben gelezen.** Elektrisch gereedschap is gevaarlijk in handen van ongetrainde gebruikers.
 - e. **Onderhoud het gereedschap goed. Controleer of bewegende delen van het gereedschap correct functioneren en niet klemmen, en of er onderdelen zodanig zijn gebroken of beschadigd dat de werking van het gereedschap nadelig wordt beïnvloed. Laat het gereedschap voor gebruik repareren als het beschadigd is.** Veel ongelukken worden veroorzaakt door slecht onderhouden elektrisch gereedschap.
 - f. **Houd zaag- en snijdgereedschap scherp en schoon.** Goed onderhouden snijdgereedschap met scherpe snijvlakken lopen minder snel vast en zijn gemakkelijker te onder controle te houden.
 - g. **Gebruik elektrisch gereedschap, toebehoren, zaagjes en boortjes, enz., volgens deze aanwijzingen. Let daarbij op de arbeidsomstandigheden en de uit te voeren werkzaamheden.** Gebruik van het elektrisch gereedschap voor werkzaamheden die anders zijn dan het bedoelde gebruik, kunnen leiden tot een gevaarlijke situatie.
5. **Service**
 - a. **Laat het gereedschap repareren door gekwalificeerd en vakkundig personeel en alleen met originele vervangende onderdelen.** Dit zorgt ervoor dat de veiligheid van het gereedschap gewaarborgd blijft.

- ◆ **Dit elektrisch gereedschap is bedoeld als slijpmachine, schuurmachine, polijstmachine of afkortgereedschap. Lees alle veiligheidswaarschuwingen, instructies, illustraties en specificaties die bij dit gereedschap zijn meegeleverd.** Het niet opvolgen van alle onderstaande instructies kan leiden tot een elektrische schok, brand en/of ernstig persoonlijk letsel.
- ◆ **Werkzaamheden waarvoor het elektrisch gereedschap niet is ontworpen, kunnen leiden tot gevaarlijke situaties en lichamelijk letsel.**
- ◆ **Gebruik geen accessoires die niet speciaal ontworpen en aanbevolen zijn door de fabrikant van het gereedschap.** Als u een accessoire op uw gereedschap kunt bevestigen, betekent dat nog niet dat u er gegarandeerd veilig mee kunt werken.
- ◆ **Het nominale toerental van het accessoire moet tenminste gelijk zijn aan het maximale toerental zoals dit op het gereedschap staat vermeld.** Accessoires die sneller draaien dan hun nominale toerental kunnen in stukken breken en deze stukken kunnen worden weggeslingerd.
- ◆ **De buitendiameter en de dikte van uw accessoire moeten binnen het nominale vermogen van uw gereedschap liggen.** Accessoires met een onjuiste grootte kunnen niet voldoende worden vastgemaakt of onder controle worden gehouden.
- ◆ **Bij het monteren van accessoires moet de schroefdraad overeenkomen met die van de as van de slijpmachine. Voor accessoires die zijn gemonteerd door middel van flenzen moet het drevelgat van het accessoire passen bij de plaatsingsdiameter van de flens.** Accessoires die niet passen op de bevestigingshardware van het gereedschap zullen uit balans raken en/of extreem trillen en kunnen u de beheersing over het gereedschap doen verliezen.
- ◆ **Gebruik een accessoire niet als het beschadigd is. Controleer het accessoire, bijvoorbeeld een diamantschijf, voor gebruik steeds op beschadigingen en barsten en controleer het steunkussen op barsten, scheuren en excessieve slijtage. Als het gereedschap of het accessoire is gevallen, controleer het dan op schade of plaats een onbeschadigd accessoire. Na het inspecteren en plaatsen van een accessoire zorgt u ervoor dat u en omstanders uit de buurt van het bereik van het ronddraaiende accessoire blijven en laat**

u het gereedschap gedurende een minuut onbelast op maximale snelheid draaien. Beschadigde accessoires breken gewoonlijk af tijdens deze testtijd.

- ◆ **Draag beschermende uitrusting. Gebruik afhankelijk van de toepassing gezichtsbedekking of bescherming van de ogen, zoals een veiligheidsbril. Draag, zo nodig, een stofmasker, gehoorbescherming, handschoenen en een werkschort die kleine afgeschuurde deeltjes of deeltjes van het werkstuk tegenhouden.** De bescherming van de ogen moet rondvliegende deeltjes die door de diverse werkzaamheden vrijkomen, tegen kunnen houden. Het stofmasker moet in staat zijn deeltjes die door uw werkzaamheden vrijkomen te filteren. Langdurige blootstelling aan intense geluiden kan gehoorverlies veroorzaken.
- ◆ **Houd omstanders op een veilige afstand van de werkplek. Iedereen die het werkgebied betreedt, moet persoonlijke beschermende kleding dragen.** Brokstukken van het werkstuk of van een afgebroken accessoire kunnen worden weggeslingerd en tetsel buiten het directe werkgebied veroorzaken.
- ◆ **Houd het elektrisch gereedschap alleen vast aan geïsoleerde oppervlakken wanneer u een handeling uitvoert waarbij het accessoire van het zaaggereedschap in contact kan komen met verborgen bedrading of het eigen netsnoer.** Accessoires van zaaggereedschap die in contact komen met bedrading waar spanning op staat, kunnen metalen onderdelen van het gereedschap onder stroom zetten en de gebruiker een elektrische schok geven.
- ◆ **Plaats het netsnoer buiten het bereik van het ronddraaiende accessoire.** Als u de controle verliest, wordt het snoer mogelijk doorgesneden of gegrepen en kan uw hand of arm in het draaiende accessoire worden getrokken.
- ◆ **Leg het elektrisch gereedschap nooit neer voordat het accessoire volledig tot stilstand is gekomen.** Het ronddraaiende accessoire kan mogelijk in contact met de oppervlakte komen waardoor u de controle over het gereedschap verliest.
- ◆ **Laat het elektrisch gereedschap niet draaien terwijl u het aan uw zijde draagt.** Wanneer uw kleding per ongeluk bekneld raakt in het ronddraaiende accessoire, kan het accessoire tegen uw lichaam aan worden getrokken.
- ◆ **Maak de ventilatieopeningen van het gereedschap regelmatig schoon.** De ventilator van de motor zuigt het stof in de behuizing en extreme ophoping van metaaldeeltjes kan een elektrische schok veroorzaken.
- ◆ **Werk niet met het gereedschap in de buurt van ontvlambare materialen.** Vonken kunnen deze materialen doen ontbranden.

- ◆ **Gebruik geen accessoires waarvoor vloeibare koelmiddelen nodig zijn.** Het gebruik van water of andere vloeibare koelmiddelen kan een elektrische schok tot gevolg hebben.

Opmerking: De hierboven vermelde waarschuwing geldt niet voor elektrisch gereedschap dat is ontworpen voor gebruik met een vloeistofsysteem.

Terugslag en bijbehorende waarschuwingen

Terugslag is een plotselinge reactie op een ronddraaiende schijf, steunkussen, borstel of ander accessoire dat bekneld raakt of vastloopt. Beknelling of vastlopen veroorzaakt het snel tot stilstand komen van het ronddraaiende accessoire dat dan weer tot gevolg heeft dat het gereedschap ongecontroleerd in de tegenovergestelde richting van de draaiing van het accessoire wordt gedwongen op het punt van vastlopen.

Als bijvoorbeeld een slijpschijf vastloopt of bekneld raakt in het werkstuk, kan de rand van de schijf die bij het knelpunt in het oppervlak van het materiaal dringt, de schijf omhoog doen komen en op de gebruiker afsturen. De schijf kan naar de gebruiker toe of van hem vandaan springen, afhankelijk van de richting van de beweging van de schijf op het knelpunt. Slijpschijven kunnen onder deze omstandigheden ook afbreken.

Terugslag is het gevolg van een verkeerd gebruik en/of onjuiste gebruiksomstandigheden van het elektrisch gereedschap en kan worden voorkomen door geschikte voorzorgsmaatregelen te nemen, zoals hieronder vermeld:

- ◆ **Houd het gereedschap stevig vast en plaats uw lichaam en arm zo dat u terugslagkrachten kunt weerstaan. Gebruik altijd een hulphandgreep, als deze is meegeleverd, voor maximale controle over terugslag of torsiereactie tijdens het opstarten.** De gebruiker kan torsiereactie of terugslagkrachten controleren, als de juiste voorzorgsmaatregelen worden genomen.
- ◆ **Plaats uw handen nooit in de buurt van het ronddraaiende accessoire.** Het accessoire kan over uw hand terugslaan.
- ◆ **Plaats uw lichaam niet in het gebied waar het elektrisch gereedschap zich zal verplaatsen als terugslag optreedt.** Terugslag slingert het gereedschap weg in de tegenovergestelde richting van de beweging van de schijf op het knelpunt.
- ◆ **Wees extra voorzichtig wanneer u aan hoeken, scherpe randen, enz. werkt. Voorkom dat het accessoire wegspringt of vastloopt.** Hoeken, scherpe randen en wegspringen kunnen er vaak toe leiden dat het ronddraaiende accessoire vastloopt en dat kan verlies van controle of terugslag veroorzaken.

- ◆ **Bevestig geen kettingzaagblad of getand zaagblad op het gereedschap.** Dergelijke zaagbladen veroorzaken vaak terugslag en verlies van controle.

Veiligheidswaarschuwingen speciaal voor slijp- en afkortwerkzaamheden:

- ◆ **Gebruik uitsluitend schijftypen die voor uw elektrisch gereedschap worden aanbevolen, en de specifieke beschermkap die is ontworpen voor de geselecteerde schijf.** Schijven waarvoor het elektrisch gereedschap niet is ontwikkeld, kunnen niet voldoende worden afgeschermd en zijn onveilig.
- ◆ **Het slijpoppervlak van de in het midden ingedrukte schijven moet worden gemonteerd onder het vlak van de beveiligingslip.** Een schijf die niet goed is gemonteerd en die uitsteekt door het vlak van de beveiligingslip, kan niet naar behoren worden afgeschermd.
- ◆ **De beschermkap moet stevig op het elektrisch gereedschap worden bevestigd en geplaatst, voor maximale veiligheid, zodat het gedeelte dat onafgeschermd is voor de gebruiker zo klein mogelijk is.** De beschermkap helpt de gebruiker te beschermen tegen afgebroken deeltjes van de schijf en voorkomt dat de gebruiker in contact komt met de schijf en met vonken die kleding in brand kunnen zetten.
- ◆ **Schijven mogen uitsluitend worden gebruikt voor de aanbevolen toepassingen. Bijvoorbeeld: slijp niet met de zijkant van een afkortschijf.** Schuur/afkortschijven zijn bedoeld voor rondom slijpen; zijwaartse krachten kunnen maken dat deze schijven uit elkaar spatten.
- ◆ **Gebruik altijd onbeschadigde flenzen van de juiste grootte en vorm voor de schijf van uw keuze.** De juiste schijfflenzen ondersteunen de schijf en verminderen zo de mogelijkheid van schijfbreuk. Flenzen voor afkortschijven kunnen verschillen van flenzen voor slijpschijven.
- ◆ **Gebruik geen versleten schijven die afkomstig zijn van groter elektrisch gereedschap.** Een schijf die is bedoeld voor groter elektrisch gereedschap, is niet geschikt voor de hogere snelheid van kleiner gereedschap en kan barsten.

Aanvullende veiligheidswaarschuwingen voor slijpen/afkorten

- ◆ **Laat de afkortschijf niet vastlopen en duw niet te hard. Probeer niet al te diepe zaagsneden te maken.** Wanneer u te veel druk uitoefent op de schijf wordt deze teveel belast en is er meer risico op verdraaiing of beknelling van de schijf in de zaagsnede en is er ook meer kans op terugslag of zelfs breken van de schijf.
- ◆ **Plaats uw lichaam niet op één lijn achter de draaiende schijf.** Wanneer de schijf tijdens het gebruik van u af

draait, kunnen de schijf en het gereedschap bij eventuele terugslag mogelijk recht op u af worden geslingerd.

- ◆ **Wanneer de schijf vast komt te zitten, of wanneer u het zagen om welke reden dan ook wilt onderbreken, schakel dan het gereedschap uit en houd het zonder te bewegen in het materiaal tot de schijf volledig tot stilstand is gekomen. Probeer nooit een afkortschijf uit de zaagsnede te verwijderen terwijl het wiel in beweging is, omdat dan terugslag kan optreden.** Zoek naar de oorzaak van het vastlopen van de schijf en neem de juiste maatregelen om dit te verhelpen.
- ◆ **Hervat de werkzaamheden niet met de schijf nog in het werkstuk. Laat het wiel volledig op snelheid komen en steek het voorzichtig opnieuw in de zaagsnede.** Het wiel kan blokkeren, weglopen of terugslaan als het gereedschap opnieuw wordt opgestart in het werkstuk.
- ◆ **Ondersteun panelen of grote werkstukken zodat het risico op vastlopen van de schijf en terugslag worden voorkomen.** Grote werkstukken kunnen onder hun eigen gewicht doorzakken. De ondersteuning moeten aan beide zijden worden geplaatst onder het werkstuk, dicht bij de zaaglijn en aan beide zijden van de schijf.
- ◆ **Wees extra voorzichtig wanneer u een invalzaagsnede wilt maken in bestaande muren of andere plekken die u niet kunt overzien.** Het uitstekende wiel kan in gas- of waterbuizen, elektrische bedrading of objecten zagen die een terugslag veroorzaken.

Veiligheidswaarschuwingen met betrekking tot schuren

- ◆ **Gebruik geen al te groot schuurmateriaal. Volg bij het selecteren van schuurpapier de richtlijnen van de fabrikant.** Groter schuurpapier dat buiten het schuurkussen steekt, veroorzaakt gevaar van schaafwonden en kan beknelling of scheuren van de schijf of terugslag veroorzaken.

Veiligheidswaarschuwingen voor polijstwerkzaamheden

- ◆ **Laat geen losse delen de polijstschijf of de bevestigingsdraden vrij ronddraaien. Stop losse bevestigingsdraden weg of knip ze af.** Losse en ronddraaiende bevestigingsdraden kunnen in uw vingers verstrikt raken of in het werkstuk haken.

Veiligheid van anderen

- ◆ Dit gereedschap is niet bedoeld voor het gebruik door personen (inclusief kinderen) met een verminderde fysieke, sensorische of mentale vermogens, of met een gebrek aan ervaring en kennis, tenzij zij onder toezicht staan of instructie over het gebruik van dit gereedschap hebben

ontvangen, van iemand die verantwoordelijk is voor hun veiligheid.

- ◆ Houd toezicht op kinderen zodat zij niet met het apparaat kunnen spelen.

Overige risico's.

Er kunnen zich nog meer risico's voordoen bij het gebruik van dit gereedschap, die mogelijk niet in de bijgesloten veiligheidswaarschuwingen worden beschreven. Deze risico's kunnen zich voordoen als gevolg van onoordeelkundig gebruik, langdurig gebruik, enz.

Zelfs wanneer de veiligheidsvoorschriften in acht worden genomen en de veiligheidshulpmiddelen worden gebruikt, kunnen bepaalde risico's niet worden vermeden. Dit zijn onder meer:

- ◆ **Verwondingen die worden veroorzaakt door het aanraken van draaiende/bewegende onderdelen.**
- ◆ **Verwondingen die worden veroorzaakt bij het vervangen van onderdelen, zaagbladen of accessoires.**
- ◆ **Verwondingen die worden veroorzaakt door langdurig gebruik van gereedschap. Wanneer u langere periodes met het gereedschap werkt, kunt u het beste regelmatig een pauze nemen.**
- ◆ **Gehoorschadiging.**
- ◆ **Gezondheidsrisico's door het inademen van stof dat vrijkomt bij gebruik van uw gereedschap (bijv.: het werken met hout, vooral eiken, beuken en MDF.)**

Trillingen

De aangegeven waarden voor trillingsemissie in de technische gegevens en de conformiteitsverklaring zijn gemeten conform een standaardtestmethode die door EN60745 wordt geboden. Hiermee kan het ene gereedschap met het andere worden vergeleken. De aangegeven waarde voor trillingsemissie kan ook worden gebruikt bij een voorlopige bepaling van blootstelling.

Waarschuwing! De waarde voor trillingsemissie tijdens het werkelijke gebruik van het gereedschap kan verschillen van de aangegeven waarde afhankelijk van de manieren waarop het gereedschap wordt gebruikt.

Het trillingsniveau kan hoger worden dan het aangegeven niveau.

Wanneer de blootstelling aan trillingen wordt vastgesteld teneinde veiligheidsmaatregelen te bepalen die worden vereist door 2002/44/EG ter bescherming van personen die tijdens hun werk regelmatig elektrische gereedschappen gebruiken, moet bij een schatting van de blootstelling aan trillingen rekening worden gehouden met de werkelijke omstandigheden van het gebruik en de manier waarop het gereedschap wordt gebruikt. Daarbij moet ook rekening worden gehouden met alle stappen in de gebruikscyclus, zoals het moment waarop

het gereedschap wordt uitgeschakeld en wanneer het gereedschap stationair loopt alsook de aanlooptijd.

Etiketten op het gereedschap

Naast de datumcode is het gereedschap voorzien van de volgende symbolen:



Waarschuwing! De gebruiker moet de instructiehandleiding lezen zodat het risico van letsel wordt beperkt.



Draag een veiligheidsbril of een stofbril als u dit gereedschap gebruikt.



Draag gehoorbescherming wanneer u dit gereedschap gebruikt.

Elektrische veiligheid



Dit gereedschap is dubbel geïsoleerd. Een aardaansluiting is daarom niet nodig. Controleer altijd of de stroomvoorziening overeenkomt met de voltage op het typeplaatje.

- ◆ Als het netsnoer is beschadigd, moet dit door de fabrikant of door een geautoriseerd BLACK+DECKER-servicecentrum worden vervangen, zodat gevaarlijke situaties worden voorkomen.

Onderdelen

Dit gereedschap is voorzien van enkele of alle van de volgende functies.

1. Aan/Uit-schakelaar
2. Zijhandgreep
3. Spindelvergrendeling
4. Beschermpak

Montage

Waarschuwing! Controleer voor aanvang van de montage dat het apparaat is uitgeschakeld en de netstekker uit het stopcontact is getrokken.

Monteren en verwijderen van de beschermpak (afb. A)

Deze machine is uitgerust met een beschermpak, die alleen bedoeld is voor slijpen. Als met de machine wordt gezaagd, moet een specifieke beschermpak voor deze toepassing worden gemonteerd. Er is een geschikte beschermpak voor zaagwerkzaamheden leverbaar, onderdeelnummers 1004702-27 en 1004702-28 voor KG711/KG911 en KG912/KG752, verkrijgbaar bij BLACK+DECKER-servicecentra.

Aanbrengen en verwijderen van de beschermkap (fig. A en B) alleen KG912

Deze machine is uitgerust met een beschermkap, die alleen bedoeld is voor afzagen. Als de machine wordt gebruikt om te schuren, moet een specifieke beschermkap voor deze toepassing worden gemonteerd. Een geschikte beschermkap voor het schuren, artikelnummer 1004702-36, is beschikbaar bij Black & Decker-servicecentra en kan hier worden aangeschaft.

Monteren

- ◆ Plaats de haakse slijper op een tafel, met de as (5) omhoog.
- ◆ Houd de nokken (8) tegenover de uitsparingen (9).
- ◆ Druk de beschermkap (4) omlaag en draai de kap in de gewenste positie.
- ◆ Zet de schroef (6) stevig vast.
- ◆ U kunt de beschermkap wegnemen door de schroef los te draaien

Waarschuwing! Gebruik het apparaat nooit zonder de beschermkap.

Monteren van de zijhandgreep

- ◆ Schroef de zijhandgreep (2) in een van de montagegaten van het gereedschap.

Waarschuwing! Maak altijd gebruik van de zijhandgreep.

Monteren en verwijderen van slijp- en afkortschijven (afb. B - D)

Gebruik altijd het juiste type schijf voor uw specifieke toepassing. Gebruik altijd schijven met de juiste diameter en asgaten (zie ook de technische gegevens).

Monteren

- ◆ Bevestig de beschermkap zoals hierboven beschreven.
- ◆ Plaats de binnenste flens (10) op de as (5), zoals wordt getoond in (afb. B). Let erop dat de flens op de juiste manier is geplaatst op de platte zijden van de as.
- ◆ Plaats de schijf (11) op de as (5) zoals getoond (afb. B). Als de schijf een verhoogd middelpunt (12) heeft, plaats dan het verhoogde gedeelte naar de binnenste flens is gericht.
- ◆ Controleer dat de schijf op de juiste manier contact maakt met de binnenste flens.
- ◆ Plaats de buitenste flens (13) op de as. Bij het plaatsen van een slijpschijf, moet u erop letten dat het verhoogde middelpunt van de buitenste flens naar de schijf is gericht (A in afb. C). Bij het plaatsen van een zaagschijf, moet u erop letten dat het verhoogde middelpunt van de buitenste flens niet naar de schijf is gericht (B in afb. C).
- ◆ Houd de asvergrendeling (3) ingedrukt en draai de buitenste flens vast met de tweepens-sleutel (14) (afb. D).

Verwijderen

- ◆ Houd de asvergrendeling (3) ingedrukt en draai de buitenste flens (13) los met de tweepens-sleutel (14) (afb. D).
- ◆ Verwijder de buitenste flens (13) en de schijf (11).

Schuurschijven plaatsen en verwijderen (afb. D en E)

Voor schuurwerk moet u een steunkussen plaatsen. Het steunkussen is als hulpstuk verkrijgbaar bij uw BLACK+DECKER-leverancier.

Monteren

- ◆ Plaats de binnenste flens (10) op de as (5), zoals wordt getoond in (afb. E). Let erop dat de flens op de juiste manier is geplaatst op de platte zijden van de as.
- ◆ Plaats het steunkussen (15) op de as.
- ◆ Plaats de schuurschijf (16) op het steunkussen.
- ◆ Plaats de buitenste flens (13) op de as met het verhoogde midden van de schijf af gericht.
- ◆ Houd de asvergrendeling (3) ingedrukt en draai de buitenste flens vast met de tweepens-sleutel (14) (afb. D). Controleer dat de buitenste flens op de juiste manier is gemonteerd en dat de schijf goed wordt vastgeklemd.

Verwijderen

- ◆ Houd de asvergrendeling (3) ingedrukt en draai de buitenste flens (13) los met de tweepens-sleutel (14) (afb. D).
- ◆ Verwijder de buitenste flens (13), de schuurschijf (16) en het steunkussen (15).

Gebruik van het apparaat

Waarschuwing! Laat het gereedschap op zijn eigen snelheid werken. Overbelast het apparaat niet.

- ◆ Leid de kabel zorgvuldig zodat deze niet per ongeluk doorsnijdt.
- ◆ Houd er rekening mee dat er een vonkenregen vrij kan komen wanneer bij het slijpen of zagen de schijf het werkstuk raakt.
- ◆ Houd het gereedschap altijd zo dat de beschermkap optimale bescherming biedt tegen de slijp- of zaagschijf.

In- en uitschakelen

- ◆ Schakel de machine in door de Aan Uit-schakelaar (1) naar voren te schuiven. Let op dat het gereedschap blijft draaien wanneer u de schakelaar loslaat.
- ◆ U kunt de machine weer uitschakelen door op het achterste gedeelte van de Aan Uit-schakelaar te drukken.

Waarschuwing! Zet het gereedschap niet uit terwijl de schijf contact maakt met het werkstuk.

Functie Langzame start

Met de functie Langzame start kunt u de machine langzaam op snelheid laten komen, zodat een eerste schok bij het opstarten wordt voorkomen. Deze functie is vooral handig als u in beperkte ruimten werkt.

No-Volt

De functie No-volt voorkomt dat de slijpmachine weer wordt gestart als u niet eerst een schakelaar omzet, als er een onderbreking is geweest in de stroomvoorziening.

Tips voor optimaal gebruik

- ◆ Houd het gereedschap stevig vast waarbij u met uw ene hand de zijgreep vasthoudt en met uw andere hand de hoofdhandgreep.
- ◆ Houd bij slijpen altijd een hoek aan van ongeveer 15° tussen de schijf en het oppervlak van het werkstuk.

Onderhoud

Uw BLACK+DECKER-machine/-gereedschap (met netsnoer/snoerloos) is ontworpen om gedurende langere tijd te functioneren met een minimum aan onderhoud. Het continu naar tevredenheid functioneren hangt af van de juiste zorg voor het gereedschap en regelmatig schoonmaken.

Waarschuwing! Doe altijd het volgende voordat u onderhouds- of reinigingswerkzaamheden aan het gereedschap (met snoer/snoerloos) uitvoert.

- ◆ Schakel het gereedschap/apparaat uit en trek de stekker uit het stopcontact.
- ◆ Of schakel het gereedschap/apparaat en haal de accu eruit, als het een aparte accu heeft.
- ◆ Of maak de accu geheel leeg, als de accu een integraal onderdeel van het gereedschap is en schakel het apparaat vervolgens uit.
- ◆ Neem de lader uit het stopcontact voordat u deze schoonmaakt. Behalve regelmatige reiniging vraagt de lader geen onderhoud.
- ◆ Reinig regelmatig de ventilatieopeningen van het gereedschap/apparaat/lader met een zachte borstel of droge doek.
- ◆ Reinig de behuizing van de motor regelmatig met een vochtige doek. Gebruik niet een schurend schoonmaakmiddel of een schoonmaakmiddel op basis van een oplosmiddel.
- ◆ Open regelmatig de boorkop en tik erop zodat stof uit het binnenste (indien van toepassing) kan vallen.

Het milieu beschermen



Gescheiden afvalinzameling. Producten en accu's waarop dit symbool is aangebracht, mogen niet bij het normale huishoudafval worden weggegooid.

Producten en accu's bevatten materialen die kunnen worden teruggewonnen of gerecycled en dat doet de vraag naar grondstoffen. Recycle elektrische producten en accu's volgens de ter plaatse geldende voorschriften.

Technische gegevens

		KG711 (Type 1)
Ingangsspanning	V _{AC}	230
Vermogen	W	750
Nominaal toerental	min ⁻¹	12.000
Diameter schijf	mm	115
Boring schijf	mm	22
Max. dikte van schijf		
slijpschijven	mm	6
zaagschijven	mm	3,5
Asgrootte		M14
Gewicht	kg	2

		KG911-KG912-KG752 (Type 1)
Ingangsspanning	V _{AC}	230
Nominaal toerental	W	KG911, KG912 = 900 W KG752 = 800 W
Snelheid onbelast	min ⁻¹	12.000
Diameter schijf	mm	KG711, KG911 = 115 KG912, KG752 = 125
Boring schijf	mm	22
Max. dikte van schijf		
slijpschijven	mm	6
zaagschijven	mm	3,5
Asgrootte		M14
Gewicht	kg	KG711, KG911, KG752 = 2,1 KG912 = 2,2

Ondergetekende is verantwoordelijk voor de samenstelling van het technische bestand en legt deze verklaring af namens Black & Decker.



Director of Engineering
Black & Decker Europe, 210 Bath Road, Slough,
Berkshire, SL1 3YD, Verenigd Koninkrijk
18.11.2015

KG711,KG911,KG912
L_{pA} (geluidsdruk) 92,6 dB(A), onzekerheid (K) 3 dB(A)
L_{WA} (geluidsvermogen) 103,6 dB(A), onzekerheid (K) 3 dB(A)
Totale trillingwaarden (som triaxvector) volgens EN60745:
Slijpen van oppervlakken (a _{h,SG}) 9,9 m/s ² , onzekerheid (K) 1,5 m/s ²
Afkorten (a _h) 4,6 m/s ² , onzekerheid (K) 1,5 m/s ²
Polijsten (a _{h,P}) 4,5 m/s ² , onzekerheid (K) 1,5 m/s ²
Schuren met schijf (a _{h,DS}) 9,6 m/s ² , onzekerheid (K) 1,5 m/s ²

KG752
L_{pA} (geluidsdruk) 94,5 dB(A), onzekerheid (K) 3 dB(A)
L_{WA} (geluidsvermogen) 105,5 dB(A), onzekerheid (K) 3 dB(A)
Totale trillingwaarden (som triaxvector) volgens EN60745:
Slijpen van oppervlakken (a _{h,SG}) 9,9 m/s ² , onzekerheid (K) 1,5 m/s ²
Afkorten (a _h) 9,1 m/s ² , onzekerheid (K) 1,5 m/s ²
Polijsten (a _{h,P}) 5,0 m/s ² , onzekerheid (K) 1,5 m/s ²
Schuren met schijf (a _{h,DS}) 3,3 m/s ² , onzekerheid (K) 1,5 m/s ²

Garantie

Black & Decker heeft vertrouwen in zijn producten en biedt consumenten een garantie van 24 maanden vanaf de datum van aankoop. Deze garantie is een aanvulling op uw wettelijke rechten en beperken deze niet. De garantie is geldig op het grondgebied van de Lidstaten van de Europese Unie en de Europese Vrijhandelszone. Wilt u aanspraak maken op de garantie, dan moet de aanspraak in overeenstemming zijn met de voorwaarden en condities van Black&Decker en moet u een bewijs van aankoop overleggen aan de verkoper of aan een geautoriseerde reparatiemonteur.

Voorwaarden en condities van de 2-jarige garantie van Black&Decker en het adres van de vestiging van de geautoriseerde reparatiemonteur bij u in de buurt, kunt u vinden op Internet op www.2helpU.com, of door contact op te nemen met het Black & Decker-kantoor bij u in de buurt, op het adres dat in deze handleiding wordt vermeld. Bezoek onze website www.blackanddecker.nl en registreer uw nieuwe Black & Decker-product, u kunt hier ook terecht voor informatie over nieuwe producten en speciale aanbiedingen.

EG-conformiteitverklaring
RICHTLIJN VOOR MACHINES



KG711, KG911, KG912, KG752 Haakse Slijpers
Black & Decker verklaart dat deze producten, beschreven bij 'Technische gegevens', voldoen aan:
2006/42/EC, EN60745-1:2009 +A11:2010;
EN60745-2-3:2011 +A2:2013 +A11:2014 +A12:2014

Deze producten voldoen tevens aan richtlijn 2004/108/EG (tot 19.04.2016) 2014/30/EU (vanaf 20.04.2016) en 2011/65/EU. Neem voor meer informatie contact op met Black & Decker op het volgende adres of kijk op de achterzijde van de handleiding.

Uso previsto

Las amoladoras angulares BLACK+DECKER KG711, KG911, KG912, KG752 han sido diseñadas para el amolado y el corte de metales y mampostería usando el tipo de disco de corte o amolado apropiado. Cuando se coloca el protector correspondiente, esta herramienta está destinada solo al uso doméstico.

Instrucciones de seguridad

Advertencias de seguridad generales para herramientas eléctricas



Advertencia. Lea todas las advertencias de seguridad y todas las instrucciones. En caso de no atenderse a las siguientes advertencias e instrucciones de seguridad, podría producirse una descarga eléctrica, incendio o lesión grave.

Guarde todas las advertencias e instrucciones para futuras consultas. El término "herramienta eléctrica" empleado en las advertencias a continuación hace referencia a la herramienta eléctrica con alimentación de red (con cable) o alimentada por batería (sin cable).

1. **Seguridad del área de trabajo**
 - a. **Mantenga limpia y bien iluminada el área de trabajo.** Las áreas en desorden u oscuras pueden provocar accidentes.
 - b. **No utilice herramientas eléctricas en atmósferas explosivas tales como aquellas en las que haya líquidos, gases o polvos inflamables.** Las herramientas eléctricas originan chispas que pueden inflamar el polvo o los gases.
 - c. **Mantenga alejados a los niños y a otras personas del área de trabajo al emplear la herramienta eléctrica.** Las distracciones pueden ocasionar que pierda el control.
 2. **Seguridad eléctrica**
 - a. **El enchufe de la herramienta eléctrica debe corresponder a la toma de corriente. No modifique nunca el enchufe de ninguna forma. No utilice ningún enchufe adaptador con las herramientas eléctricas conectadas a tierra.** Los enchufes no modificados y las tomas de corriente correspondientes reducirán el riesgo de descarga eléctrica.
 - b. **Evite que su cuerpo toque partes conectadas a tierra como tuberías, radiadores, cocinas y refrigeradores.** Existe un mayor riesgo de descarga eléctrica si su propio cuerpo está conectado a tierra.
 - c. **No exponga las herramientas eléctricas a la lluvia o a condiciones de humedad.** Si entra agua a una
 - herramienta eléctrica aumentará el riesgo de descarga eléctrica.
 - d. **Cuide el cable de alimentación. No use nunca el cable para transportar, tirar de la herramienta eléctrica o desenchufarla. Mantenga el cable alejado del calor, aceite, bordes afilados y piezas en movimiento.** Los cables dañados o enredados aumentan el riesgo de descarga eléctrica.
 - e. **Al trabajar con la herramienta eléctrica en la intemperie utilice solamente cables de prolongación homologados para su uso en exteriores.** La utilización de un cable adecuado para el uso en exteriores reduce el riesgo de descarga eléctrica.
 - f. **Si la utilización de una herramienta eléctrica en un lugar húmedo es inevitable, utilice una fuente protegida con un dispositivo de corriente residual (RCD).** El uso de un dispositivo de corriente residual reduce el riesgo de descarga eléctrica.
3. **Seguridad personal**
 - a. **Esté atento a lo que hace y emplee la herramienta eléctrica con prudencia. No maneje una herramienta eléctrica cuando esté cansado o bajo los efectos de drogas, medicamentos o alcohol.** Un momento de falta de atención cuando se manejan las herramientas eléctricas puede ocasionar lesiones personales graves.
 - b. **Utilice un equipo de protección personal. Utilice siempre protección ocular.** El uso del equipo protector como mascarillas antipolvo, calzado antideslizante, casco o protección auditiva para condiciones apropiadas reducirá las lesiones personales.
 - c. **Impida que la herramienta se ponga en marcha accidentalmente. Asegúrese de que el interruptor se encuentre en la posición de apagado antes de conectar la herramienta a la fuente de alimentación o a la batería, o de coger o transportar la herramienta.** Transportar herramientas eléctricas con el dedo puesto en el interruptor o herramientas eléctricas activadoras que tengan el interruptor encendido puede provocar accidentes.
 - d. **Retire las herramientas de ajuste o llaves fijas antes de encender la herramienta eléctrica.** Dejar una llave inglesa u otra llave puesta en una pieza en movimiento de la herramienta eléctrica puede ocasionar lesiones personales.
 - e. **Sea precavido. Mantenga un equilibrio adecuado y la estabilidad constantemente.** Esto permite un mejor control de la herramienta eléctrica en situaciones inesperadas.
 - f. **Lleve puesta una vestimenta de trabajo adecuada. No se ponga ropa suelta o joyas. Mantenga el cabello, la ropa y los guantes alejados de las piezas en**

- movimiento.** La ropa suelta, las joyas y el pelo largo pueden quedar atrapados en las piezas en movimiento.
- g. Siempre que sea posible utilice unos equipos de aspiración o captación de polvo, asegúrese de que estén bien montados y de que se utilicen correctamente.** El uso de equipo de recogida de polvo puede reducir los riesgos relacionados con el polvo.
- 4. Uso y cuidado de herramientas eléctricas**
- a. No sobrecargue la herramienta eléctrica. Use la herramienta eléctrica correcta para su trabajo.** La herramienta eléctrica correcta funcionará mejor y con mayor seguridad si se utiliza de acuerdo con sus características técnicas.
- b. No utilice herramientas eléctricas con interruptor defectuoso.** Toda herramienta eléctrica que no pueda controlarse con el interruptor es peligrosa y debe ser reparada.
- c. Desconecte el conector de la herramienta eléctrica de la fuente de alimentación y la batería antes de realizar cualquier ajuste, cambiar accesorios o guardar la herramienta.** Dichas medidas de seguridad preventivas reducen el riesgo de poner en marcha accidentalmente la herramienta eléctrica.
- d. Guarde las herramientas eléctricas fuera del alcance de los niños y no permita que las personas que no estén familiarizadas con su uso o que no hayan leído este manual utilicen esta herramienta.** Las herramientas eléctricas son peligrosas en manos de personas no capacitadas.
- e. Realice el mantenimiento de sus herramientas eléctricas. Controle si funcionan correctamente, sin atascarse, las partes móviles de la herramienta eléctrica, y si existen partes rotas o deterioradas que pudieran afectar al funcionamiento de la herramienta. Si la herramienta eléctrica está dañada, llévela para que sea reparada antes de utilizarla.** Se ocasionan muchos accidentes por el mal mantenimiento de las herramientas eléctricas.
- f. Mantenga las herramientas de corte limpias y afiladas.** Hay menos probabilidad de que las herramientas de cortar con bordes afilados se bloqueen, y son más fáciles de controlar.
- g. Utilice la herramienta eléctrica, los accesorios, los útiles de la herramienta, etc. de acuerdo con estas instrucciones, y tenga en cuenta las condiciones de trabajo y la tarea que va a realizar.** El uso de la herramienta eléctrica para operaciones que no sean las previstas puede ocasionar una situación peligrosa.

5. Servicio

- a. Esta herramienta eléctrica debe ser reparada solo por personal técnico autorizado que emplee exclusivamente piezas de repuesto originales.** Así se asegurará que se mantenga la seguridad de la herramienta eléctrica.

Advertencias de seguridad adicionales para herramientas eléctricas



Advertencia. Advertencias de seguridad adicionales para operaciones de amolado, lijado, bruñido o corte abrasivo.

- ◆ **Esta herramienta eléctrica está diseñada para funcionar como amoladora, cepillo de alambre o herramienta de corte. Lea todas las advertencias de seguridad, instrucciones, ilustraciones y especificaciones suministradas con esta herramienta eléctrica.** El incumplimiento de las instrucciones que se indican a continuación puede causar descargas eléctricas, incendios y/o lesiones graves.
- ◆ **El uso para operaciones para las que la herramienta no ha sido diseñada puede ocasionar riesgos y lesiones personales.**
- ◆ **No utilice accesorios que no estén diseñados y recomendados específicamente por el fabricante de la herramienta.** El hecho de que el accesorio pueda acoplarse a la herramienta eléctrica no garantiza un funcionamiento sin riesgos.
- ◆ **La velocidad prevista del accesorio debe ser como mínimo igual a la velocidad máxima marcada en la herramienta eléctrica.** Los accesorios que funcionen más rápido que su velocidad prevista pueden romperse y salir volando.
- ◆ **El diámetro externo y el grosor del accesorio deben estar dentro de la capacidad de su herramienta eléctrica.** Los accesorios de tamaño incorrecto no pueden protegerse o controlarse adecuadamente.
- ◆ **La instalación por rosca de accesorios debe coincidir con la rosca del eje de la amoladora. Para los accesorios instalados por bridas, el orificio del eje del accesorio debe adaptarse al diámetro de la brida.** Los accesorios que no se corresponden con las piezas de montaje de la herramienta eléctrica se desequilibrarán, vibrarán excesivamente y pueden causar pérdida de control.
- ◆ **No utilice un accesorio dañado. Antes de cada uso, inspeccione el accesorio, como, por ejemplo, las muelas abrasivas, para verificar si tienen muescas o grietas, o el portadiscos para comprobar si registra un desgaste excesivo. Si la herramienta eléctrica o un ac-**

cesorio se caen, compruebe que no estén dañados y, en su caso, instale un accesorio no dañado. Después de inspeccionar e instalar un accesorio, usted y otras personas que estuviesen cerca deben alejarse del plano del accesorio en movimiento, solo entonces ponga la herramienta eléctrica en funcionamiento a velocidad máxima en vacío durante un minuto. Por lo general, los accesorios dañados se rompen durante la prueba.

- ◆ **Póngase un equipo de protección personal.** Dependiendo de la aplicación, use un protector facial y gafas protectoras. Si corresponde, póngase una mascarilla antipolvo, protectores para el oído, guantes y un delantal de trabajo que pueda detener pequeños fragmentos abrasivos o de la pieza de trabajo. La protección ocular debe poder detener las partículas volantes que se producen con varias operaciones. La mascarilla antipolvo o el respirador deben poder filtrar las partículas generadas por la operación que esté realizando. La exposición prolongada al ruido de intensidad elevada puede causar pérdida auditiva.
- ◆ **Mantenga a las personas que estén cerca a una distancia de seguridad del área de trabajo.** Todas las personas que entren al área de trabajo deben llevar puesto un equipo de protección personal. Los fragmentos de una pieza de trabajo o de un accesorio roto pueden salir disparados y provocar una lesión más allá del área inmediata de operación.
- ◆ **Sostenga exclusivamente la herramienta eléctrica por las superficies de agarre aisladas cuando realice una operación en la que el accesorio de corte pueda estar en contacto con un cable oculto o con su propio cable.** El contacto de los accesorios de corte con un cable cargado puede cargar las partes metálicas expuestas de la herramienta eléctrica y producir una descarga eléctrica en el operador.
- ◆ **Coloque el cable lejos del accesorio giratorio.** Si pierde el control, el cable puede cortarse o engancharse y puede arrastrar a la mano o el brazo hacia el accesorio giratorio.
- ◆ **No deje nunca a un lado la herramienta eléctrica hasta que el accesorio se haya detenido por completo.** El accesorio giratorio puede agarrarse a la superficie y hacer que usted pierda el control de la herramienta.
- ◆ **No ponga en funcionamiento la herramienta eléctrica mientras la transporte a su lado.** El contacto accidental con el accesorio giratorio podría hacer que se enganche la ropa y que el accesorio toque su cuerpo.
- ◆ **Limpie periódicamente los orificios de ventilación de la herramienta eléctrica.** El ventilador del motor atraerá el polvo dentro de la caja protectora y la acumulación excesiva del metal en polvo puede ocasionar riesgos eléctricos.

- ◆ **No utilice la herramienta eléctrica cerca de materiales inflamables.** Las chispas podrían prender fuego a estos materiales.
- ◆ **No utilice accesorios que requieran líquidos refrigerantes.** El uso de agua u otros refrigerantes líquidos puede ocasionar electrocución o descarga.

Nota: La advertencia anterior no se aplica a las herramientas eléctricas que se hayan diseñado específicamente para usarlas con un sistema líquido.

Rebote y advertencias relacionadas

El rebote es una reacción repentina al quedar enganchados o atrapados una muela, un plato portadiscos, un cepillo u otro accesorio en movimiento. Al engancharse o quedar presionado un accesorio en movimiento, este se detiene rápidamente y, a su vez, provoca que la herramienta eléctrica no controlada quede forzada en dirección opuesta a la rotación del accesorio en el punto del trabado.

Por ejemplo, si una muela abrasiva se engancha o queda presionada por la pieza de trabajo, el borde de la muela que entra en el punto de presión puede incrustarse en la superficie del material ocasionando que la muela se salga o se trabe. La muela puede saltar hacia el operador o lejos de él, dependiendo de la dirección del movimiento de la muela en el punto de presión. Las muelas abrasivas también pueden romperse en estas condiciones.

El rebote es el resultado del mal uso de la herramienta eléctrica o de procedimientos o condiciones de operación incorrectos, y se puede evitar si se toman las precauciones debidas, que se enumeran a continuación:

- ◆ **Sujete firmemente la herramienta eléctrica y sitúe el cuerpo y el brazo de manera que pueda resistir la fuerza del rebote.** Para un máximo control del rebote o de la reacción del par motor durante la puesta en marcha, utilice siempre la empuñadura auxiliar, si la hubiera. El operador puede controlar la reacción del par motor o la fuerza del rebote si se toman las precauciones adecuadas.
- ◆ **No ponga nunca la mano cerca del accesorio giratorio.** El accesorio puede rebotarle en la mano.
- ◆ **No se sitúe en el área hacia donde vaya a moverse la herramienta eléctrica si ocurre un rebote.** El rebote impulsará la herramienta en la dirección opuesta al movimiento de la muela en el momento del enganche.
- ◆ **Tenga especial cuidado cuando trabaje con esquinas, bordes afilados, etc. Evite hacer rebotar o enganchar el accesorio.** Las esquinas, los bordes afilados o los rebotes tienen tendencia a enganchar el accesorio en movimiento y ocasionar pérdida de control o tensión de retroceso.

- ◆ **No acople una hoja de tallado de madera de sierra de cadena o una hoja de sierra dentada.** Dichas hojas ocasionan frecuentes rebotes y pérdida de control.

Advertencias de seguridad específicas para operaciones de amolado y corte abrasivo

- ◆ **Utilice solo tipos de muela que estén recomendados para su herramienta eléctrica y el protector específico diseñado para la muela seleccionada.** Las muelas para las que la herramienta eléctrica no ha sido diseñada no pueden protegerse adecuadamente y no son seguras.
- ◆ **La superficie de amolado de las muelas centrales presionadas debe instalarse debajo del plano del borde del protector.** Una rueda instalada incorrectamente que se proyecta fuera del plano del borde del protector no puede protegerse correctamente.
- ◆ **El protector debe estar bien sujeto a la herramienta eléctrica y posicionado para una seguridad máxima, de manera que la muela quede lo menos expuesta posible hacia el operador.** El protector ayuda a proteger al operador de fragmentos de muela rotos y del contacto accidental con la muela y las chispas que podrían incendiar la ropa.
- ◆ **Las muelas deben utilizarse únicamente para las aplicaciones recomendadas. Por ejemplo, no amole con el lado de una muela de corte.** Las muelas de corte abrasivo están previstas para el amolado periférico y si se aplican fuerzas laterales a estas muelas se podrían romper.
- ◆ **Use siempre bridas de muela no dañadas que sean del tamaño y la forma correctos para la muela seleccionada.** Las bridas de muela apropiadas sirven de soporte para la muela, reduciendo así la posibilidad de rotura de la misma. Las bridas de las muelas de corte pueden ser diferentes de las bridas de las muelas para amolado.
- ◆ **No utilice muelas desgastadas de herramientas eléctricas más grandes.** Una muela diseñada para una herramienta eléctrica más grande no es adecuada para la mayor velocidad de una herramienta más pequeña y puede explotar.

Advertencias de seguridad adicionales para operaciones de corte abrasivas

- ◆ **No bloquee el disco de corte ni aplique una presión excesiva sobre él. No intente hacer un corte de profundidad excesiva.** Una presión excesiva sobre el disco puede aumentar la carga y la posibilidad de que el disco se doble o se bloquee durante el corte, además de aumentar la probabilidad de que se produzcan retrocesos o roturas del disco.
- ◆ **No coloque el cuerpo en la línea de corte y detrás del disco giratorio.** Durante el funcionamiento, cuando el

disco se aleje de su cuerpo, un posible retroceso podría impulsar el disco giratorio y la herramienta eléctrica directamente hacia usted.

- ◆ **Si el disco se bloquea o si, por algún motivo, se interrumpe el corte, desconecte la herramienta y no la mueva hasta que el disco se haya detenido por completo. No intente nunca sacar del corte el disco de corte mientras este esté en movimiento, de lo contrario puede ocurrir un rebote.** Investigue y tome medidas correctivas para eliminar la causa del trabado del disco.
- ◆ **No reinicie la operación de corte en la pieza de trabajo. Espere a que el disco alcance la velocidad máxima y vuelva a introducirlo en el corte con cuidado.** El disco puede bloquearse, saltar o rebotar si la herramienta eléctrica vuelve a ponerse en marcha en la pieza de trabajo.
- ◆ **Sujete los paneles o cualquier pieza de trabajo de grandes dimensiones para minimizar el riesgo de que el disco quede atrapado o salga despedido hacia atrás.** Las piezas de trabajo grandes tienden a hundirse por su propio peso. Se deben colocar soportes bajo la pieza de trabajo cerca de la línea de corte y cerca del borde de la pieza de trabajo a ambos lados del disco.
- ◆ **Adopte medidas de precaución extraordinarias cuando efectúe un “corte de cavidad” en muros u otras zonas ciegas.** Si el disco sobresale puede cortar las tuberías de gas o de agua, la instalación eléctrica u objetos que pueden ocasionar un rebote.

Advertencias de seguridad específicas para operaciones de lijado

- ◆ **No utilice papel de lija demasiado grande para el disco. Siga las recomendaciones del fabricante a la hora de seleccionar el papel de lija.** El papel de lija grande que sobresalga del disco de lijado presenta un riesgo de laceración y puede ocasionar el enganche o rotura del disco o un rebote.

Advertencias de seguridad específicas para operaciones de pulido

- ◆ **No permita que ninguna parte suelta de la cubierta para pulido o sus cuerdas accesorias giren sin control. Oculte o corte todos los cables sueltos de los accesorios.** Los cables de los accesorios sueltos o en movimiento pueden engancharse en los dedos o en la pieza de trabajo.

Seguridad de otras personas

- ◆ Las personas (incluidos niños) con capacidades físicas, sensoriales o mentales disminuidas o que carezcan de experiencia y conocimientos no deben utilizar esta

herramienta, salvo que hayan recibido supervisión o formación con respecto al uso del aparato por parte de una persona responsable de su seguridad.

- ◆ Los niños deberán permanecer vigilados para asegurarse de que no jueguen con el aparato.

Riesgos residuales.

El uso de esta herramienta puede producir riesgos residuales adicionales no incluidos en las advertencias de seguridad adjuntas. Estos riesgos se pueden generar por un uso incorrecto, demasiado prolongado, etc.

El cumplimiento de las normas de seguridad correspondientes y el uso de dispositivos de seguridad no evitan ciertos riesgos residuales. Esto incluye:

- ◆ **Lesiones producidas por el contacto con piezas móviles o giratorias.**
- ◆ **Lesiones producidas al cambiar cualquier pieza, cuchilla o accesorio.**
- ◆ **Lesiones producidas al usar una herramienta por un tiempo demasiado prolongado. Si utiliza una herramienta durante períodos de tiempo demasiado prolongados, asegúrese de realizar pausas con frecuencia.**
- ◆ **Deterioro auditivo.**
- ◆ **Riesgos para la salud producidos al respirar el polvo que se genera cuando se utiliza la herramienta (ejemplo: en los trabajos con madera, especialmente si son de roble, haya y tableros de densidad mediana).**

Vibración

Los valores de emisión de vibraciones declarados en el apartado de características técnicas y en la declaración de conformidad se han calculado según un método de prueba estándar proporcionado por la norma EN 60745 y podrán utilizarse para comparar una herramienta con otra. El valor de emisión de vibraciones especificado también puede utilizarse en una evaluación preliminar de la exposición.

¡Advertencia! El valor de emisión de vibraciones durante el funcionamiento real de la herramienta eléctrica puede diferir del valor declarado en función de cómo se utilice dicha herramienta.

El nivel de las vibraciones puede aumentar por encima del nivel declarado.

Al evaluar la exposición a las vibraciones con el fin de determinar las medidas de seguridad que exige la norma 2002/44/CE para proteger a las personas que utilizan periódicamente herramientas eléctricas en el entorno laboral, deberá tenerse en cuenta una estimación de la exposición a las vibraciones, las condiciones de uso reales y el modo de empleo de la herramienta, así como los pasos del ciclo operativo como, por ejemplo, el número de veces que la herramienta se apaga, el tiempo que está parada y el tiempo de activación.

Etiquetas en la herramienta

Junto con el código de la fecha, en la herramienta aparecen los siguientes pictogramas:



¡Advertencia! Para reducir el riesgo de lesiones, el usuario debe leer el manual de instrucciones.



Cuando utilice la herramienta, lleve siempre gafas o anteojos protectores.



Cuando utilice la herramienta, utilice siempre protección para los oídos.

Seguridad eléctrica



Esta herramienta lleva un doble aislamiento; por lo tanto, no requiere una toma de tierra. Compruebe siempre que el voltaje suministrado corresponda al indicado en la placa de características.

- ◆ Si se daña el cable de alimentación, el fabricante o un centro de servicio técnico autorizado de BLACK+DECKER deberán sustituirlo para evitar riesgos.

Características

Esta herramienta incluye parte o la totalidad de estas características.

1. Interruptor de encendido/apagado
2. Empuñadura lateral
3. Bloqueo del eje
4. Barra de protección

Ensamblaje

¡Advertencia! Antes de proceder al montaje, compruebe que la herramienta está apagada y desenchufada.

Ajuste y desmontaje del protector (Fig. A)

La herramienta se suministra con un protector que solamente está diseñado para realizar trabajos de amolado. Si la unidad está diseñada para realizar trabajos de corte, debe colocar el protector específico para este trabajo. Hay disponibles protectores adecuado para los componentes de trabajo de corte números 1004702-27 y 1004702-28 para KG711/KG911 y KG912/KG752, que se puede obtener en los centros de servicio de BLACK+DECKER.

Ajuste y desmontaje del protector (fig. A) Sólo KG912

La herramienta se suministra con un protector que solamente debe utilizarse para cortar. Si desea utilizar la herramienta para lijar, deberá ajustar un protector específico para ello.

En los centros de asistencia técnica de BLACK & DECKER encontrará el protector adecuado, con número de pieza 1004702-36 .

Colocación

- ◆ Coloque la amoladora angular sobre una mesa, con el eje (5) hacia arriba.
- ◆ Alinee los salientes (8) con las muescas (9).
- ◆ Apriete el protector (4) hacia abajo y gírelo hasta la posición necesaria.
- ◆ Apriete bien el tornillo (6).
- ◆ Para sacar el protector, afloje el tornillo.

¡Advertencia! Nunca utilice la herramienta sin el protector.

Colocación de la empuñadura lateral

- ◆ Atornille la empuñadura lateral (2) en uno de los orificios de montaje de la herramienta.

¡Advertencia! Utilice siempre la empuñadura lateral.

Instalación y desmontaje de un disco de corte o de amolado (Figs. B - D)

Utilice siempre el tipo de disco adecuado para cada aplicación. Utilice siempre discos con el diámetro y tamaño del diámetro interior adecuados (consulte la ficha técnica).

Colocación

- ◆ Coloque el protector como se ha descrito anteriormente.
- ◆ Coloque la brida interior (10) en el eje (5) tal y como se indica (Fig. B). Asegúrese de que la brida está colocada correctamente en las superficies planas del eje.
- ◆ Coloque el disco (11) en el eje (5) tal y como se indica (Fig. B). Si el disco cuenta con un centro elevado (12), asegúrese de que dicho centro está orientado hacia la brida interior.
- ◆ Asegúrese de que el disco está colocado correctamente en la brida interior.
- ◆ Coloque la brida exterior (13) en el eje. Cuando se coloca un disco de amolado, el centro elevado en la brida exterior debe estar orientado hacia el disco (A en Fig. C). Cuando se coloca un disco de corte, el centro elevado en la brida exterior debe estar orientado en dirección hacia el exterior del disco (B en Fig. C).
- ◆ Mantenga presionado el bloqueo del eje (3) y ajuste la brida exterior utilizando la llave de dos pivotes (14) (Fig. D).

Extracción

- ◆ Mantenga presionado el bloqueo del eje (3) y suelte la brida exterior (13) utilizando la llave de dos pivotes (14) (Fig. D).
- ◆ Extraiga la brida exterior (13) y el disco (11).

Colocación y extracción de los discos de lijado (Figs. D y E)

Es necesario un plato de apoyo para el lijado. El plato de apoyo está disponible en su distribuidor de BLACK+DECKER como accesorio.

Colocación

- ◆ Coloque la brida interior (10) en el eje (5) tal y como se indica (Fig. E). Asegúrese de que la brida está colocada correctamente en las superficies planas del eje.
- ◆ Coloque el plato de apoyo (15) en el eje.
- ◆ Coloque el disco de lijado (16) en el plato de apoyo.
- ◆ Coloque la brida exterior (13) en el eje, con el centro elevado en dirección hacia el exterior del disco.
- ◆ Mantenga presionado el bloqueo del eje (3) y ajuste la brida exterior utilizando la llave de dos pivotes (14) (Fig. D). Asegúrese de que la brida exterior está colocada correctamente y que el disco está sujeto firmemente.

Extracción

- ◆ Mantenga presionado el bloqueo del eje (3) y suelte la brida exterior (13) utilizando la llave de dos pivotes (14) (Fig. D).
- ◆ Extraiga la brida exterior (13), el disco de lijado (16) y el plato de apoyo (15).

Uso

¡Advertencia! Deje que la herramienta funcione a su ritmo.

No la sobrecargue.

- ◆ Guíe el cable con cuidado para evitar cortarlo accidentalmente.
- ◆ Tenga en cuenta que se pueden producir chispas cuando el disco de amolado o de corte entre en contacto con la pieza de trabajo.
- ◆ Coloque siempre la herramienta de tal forma que el protector proporcione la máxima protección del disco de amolado o de corte.

Encendido y apagado

- ◆ Para encender el aparato, deslice el interruptor de encendido/apagado (1) hacia delante. Tenga en cuenta que la herramienta continuará funcionando cuando suelte el interruptor.
- ◆ Para apagar la herramienta, presione la parte posterior del interruptor de encendido/apagado.

¡Advertencia! No apague la herramienta cuando esta tenga carga.

Función de arranque suave

La característica de arranque suave permite que la velocidad aumente lentamente para evitar una sacudida inicial al poner la herramienta en marcha. Esta característica es especialmente útil cuando se trabaja en espacios reducidos.

Tensión nula

La función tensión nula impide que la amoladora se reinicie sin iniciar el ciclo con el interruptor en caso de interrupción del suministro de energía.

Consejos por un uso óptimo

- ◆ Sujete firmemente la herramienta con una mano alrededor de la empuñadura lateral y con la otra mano alrededor de la empuñadura principal.
- ◆ Al amolar, mantenga siempre un ángulo de aproximadamente 15° entre el disco y la superficie de la pieza de trabajo.

Mantenimiento

Su aparato o herramienta con o sin cable de BLACK+DECKER ha sido diseñada para funcionar durante un largo período de tiempo con un mantenimiento mínimo. El funcionamiento satisfactorio y continuo depende del buen cuidado de la herramienta y de una limpieza frecuente.

¡Advertencia! Antes de realizar el mantenimiento de herramientas eléctricas con o sin cables:

- ◆ Apague y desenchufe el aparato o herramienta.
- ◆ O bien, apague y extraiga las pilas o la batería del aparato o herramienta, en caso de que disponga de una batería separada.
- ◆ O bien, deje que la batería se agote por completo si es integral y, a continuación, apague el aparato.
- ◆ Desenchufe el cargador antes de limpiarlo. El cargador no requiere ningún mantenimiento especial excepto la limpieza periódica.
- ◆ Limpie periódicamente las ranuras de ventilación de la herramienta, aparato o cargador con un cepillo suave o un paño seco.
- ◆ Limpie periódicamente la carcasa del motor con un paño húmedo. No utilice limpiadores de base abrasiva ni disolventes.
- ◆ Abra regularmente el portabrocas y golpéelo suavemente para eliminar los restos de polvo que haya en su interior (si se encuentra colocado).

Protección del medio ambiente



Recogida selectiva. Los productos y las baterías marcadas con este símbolo no se deben eliminar con los residuos domésticos normales.

Los productos y las baterías que contienen materiales que se puedan recuperar o reciclar reducen la demanda de materias primas. Recicle los productos eléctricos y las baterías de conformidad con la normativa local.

Datos técnicos

		KG711 (Tipo 1)
Voltaje de entrada	V_{CA}	230
Potencia de entrada	W	750
Velocidad prevista	mín.^{-1}	12.000
Diámetro del disco	mm	115
Diámetro interior del disco	mm	22
Espesor máximo del disco		
Discos de amolado	mm	6
Discos de corte	mm	3,5
Tamaño del eje		M14
Peso	kg	2

		KG911-KG912-KG752 (Tipo 1)
Voltaje de entrada	V_{CA}	230
Potencia de entrada	W	KG911, KG912 = 900W KG752 = 800W
Velocidad prevista	mín.^{-1}	12.000
Diámetro del disco	mm	KG711, KG911 = 115 KG912, KG752 = 125
Diámetro interior del disco	mm	22
Espesor máximo del disco		
Discos de amolado	mm	6
Discos de corte	mm	3,5
Tamaño del eje		M14
Peso	kg	KG711, KG911, KG752 = 2.1 KG912 = 2.2

KG711, KG911, KG912	
L_{PA} (presión acústica)	92,6 dB(A), incertidumbre (K) 3 dB(A)
L_{WA} (potencia acústica)	103,6 dB(A), incertidumbre (K) 3 dB(A)
Valores totales de vibración (suma vectorial triaxial) de acuerdo con la norma EN60745:	
Amolado de superficies ($a_{h,SG}$)	9,9 m/s^2 , incertidumbre (K) 1,5 m/s^2
Corte (a_h)	4,6 m/s^2 , incertidumbre (K) 1,5 m/s^2
Pulido ($a_{h,p}$)	4,5 m/s^2 , incertidumbre (K) 1,5 m/s^2
Lijado con disco ($a_{h,DS}$)	9,6 m/s^2 , incertidumbre (K) 1,5 m/s^2

KG752
L_{DA} (presión acústica) 94,5 dB(A), incertidumbre (K) 3 dB(A)
L_{WA} (potencia acústica) 105,5 dB(A), incertidumbre (K) 3 dB(A)
Valores totales de vibración (suma vectorial triaxial) de acuerdo con la norma EN60745:
Amolado de superficies (a _{h,SG}) 9,9 m/s ² , incertidumbre (K) 1,5 m/s ²
Corte (a _h) 9,1 m/s ² , incertidumbre (K) 1,5 m/s ²
Pulido (a _{h,p}) 5,0 m/s ² , incertidumbre (K) 1,5 m/s ²
Lijado con disco (a _{h,DS}) 3,3 m/s ² , incertidumbre (K) 1,5 m/s ²

Declaración de conformidad CE

DIRECTIVA SOBRE MÁQUINAS



Amoladoras angulares KG711, KG911, KG912, KG752
 Black & Decker declara que los productos descritos en el apartado "Datos técnicos" son conformes a las normas siguientes:

2006/42/EC, EN60745-1:2009 +A11:2010;
 EN60745-2-3:2011 +A2:2013 +A11:2014 +A12:2014

Estos productos también cumplen con las Directivas 2004/108/CE (hasta el 19.04.2016), 2014/30/UE (desde el 20.04.2016) y 2011/65/UE. Si desea más información, póngase en contacto con Black & Decker en la dirección indicada a continuación o bien consulte la parte posterior de este manual.

El abajo firmante es el responsable de la compilación del archivo técnico y realiza esta declaración en representación de Black & Decker.

Director de Ingeniería
 Black & Decker Europa, 210 Bath Road, Slough,
 Berkshire, SL1 3YD, Reino Unido
 18.11.2015

Garantía

Black & Decker confía en la calidad de sus productos y ofrece a los consumidores una garantía de 24 meses a partir de la fecha de compra. Esta garantía es adicional a sus derechos legales y no los menoscaba en modo alguno. La garantía es válida dentro de los territorios de los Estados Miembros de la Unión Europea y del Área de Libre Comercio Europea. Para reclamar la garantía, la reclamación se debe presentar de conformidad con las condiciones de Black & Decker. Tendrá que adjuntar un justificante de compra al vendedor o al agente técnico autorizado.

Las condiciones de la garantía de 2 años de Black & Decker y la ubicación de su agente técnico autorizado más cercano se pueden obtener en Internet en www.2helpU.com o poniéndose en contacto con su oficina local de Black & Decker en la dirección que se indica en este manual.

Visite nuestro sitio web www.blackanddecker.co.uk para registrar su nuevo producto Black & Decker y recibir noticias sobre nuevos productos y ofertas especiales.

Utilização pretendida

As rebardadoras angulares BLACK+DECKER KG711, KG911, KG912, KG752 foram concebidas para o desbaste e corte de metal e alvenaria utilizando o disco de corte e desbaste adequado. Quando está instalada com a protecção adequada, esta ferramenta foi concebida apenas para utilização do consumidor.

Instruções de segurança

Avisos de segurança gerais para ferramentas eléctricas



Atenção! Leia todos os avisos de segurança e todas as instruções. O não cumprimento dos seguintes avisos e instruções pode resultar em choque eléctrico, incêndio e/ou graves lesões.

Guarde todos os avisos e instruções para futura referência. A expressão “ferramenta eléctrica” utilizada a seguir refere-se a ferramentas eléctricas com ligação à corrente eléctrica (com cabo) ou com bateria (sem fios).

1. Segurança na área de trabalho

- a. **Mantenha a área de trabalho limpa e bem iluminada.** As áreas desorganizadas ou escuras são propensas a acidentes.
- b. **Não trabalhe com ferramentas eléctricas em áreas com risco de explosão, nas quais se encontrem líquidos, gases ou poeiras inflamáveis.** As ferramentas eléctricas criam faíscas que poderão inflamar estas poeiras ou vapores.
- c. **Mantenha crianças e outras pessoas afastadas durante a utilização da ferramenta eléctrica.** As distrações podem levar à perda do controlo da ferramenta.

2. Segurança eléctrica

- a. **As fichas da ferramenta eléctrica devem caber na tomada. Nunca modifique a ficha de forma alguma. Não utilize fichas adaptadoras com ferramentas eléctricas ligadas à terra.** As fichas não modificadas e as tomadas compatíveis reduzem o risco de choque eléctrico.
- b. **Evite que o corpo entre em contacto com superfícies ligadas à terra, como tubos, radiadores, fogões e frigoríficos.** Se o seu corpo estiver “ligado” à terra, o risco de choque eléctrico é maior.
- c. **As ferramentas eléctricas não podem ser expostas a chuva nem humidade.** A entrada de água numa ferramenta eléctrica aumenta o risco de choque eléctrico.

- d. **Manuseie o cabo com cuidado. Nunca o utilize para transportar, puxar ou desligar a ferramenta eléctrica. Mantenha o cabo afastado de fontes de calor, substâncias oleosas, extremidades aguçadas ou peças móveis.** Os cabos danificados ou emaranhados aumentam o risco de choque eléctrico.
- e. **Quando trabalhar com uma ferramenta eléctrica ao ar livre, utilize um cabo de extensão apropriado para esse fim.** A utilização de um cabo adequado para uso ao ar livre reduz o risco de choque eléctrico.
- f. **Se for inevitável trabalhar com uma ferramenta eléctrica num local húmido, utilize um dispositivo de corrente residual (RCD).** A utilização de um DCR reduz o risco de choque eléctrico.

3. Segurança pessoal

- a. **Mantenha-se alerta, tenha atenção ao que está a fazer e seja cuidadoso quando trabalhar com a ferramenta eléctrica. Não utilize uma ferramenta eléctrica quando estiver cansado ou sob o efeito de drogas, álcool ou medicamentos.** Um momento de distração durante a utilização de ferramentas eléctricas poderá resultar em ferimentos graves.
- b. **Utilize equipamento de protecção pessoal. Use sempre uma protecção ocular.** O equipamento de protecção, como, por exemplo, uma máscara contra o pó, sapatos de segurança antiderrapantes, um capacete de segurança ou uma protecção auditiva, usado nas condições apropriadas, reduz o risco de ferimentos.
- c. **Evite arranques involuntários. Certifique-se de que o botão está desligado antes de ligar a ferramenta à corrente eléctrica e/ou à bateria, e antes de pegar ou transportar a ferramenta.** Se mantiver o dedo sobre o interruptor ao transportar ferramentas eléctricas ou se as ligar à fonte de alimentação com o interruptor ligado, poderá dar origem a acidentes.
- d. **Retire eventuais chaves de ajuste ou chaves de fendas antes de ligar a ferramenta eléctrica.** Uma chave de fenda ou de ajuste que se encontre numa peça em rotação da ferramenta eléctrica poderá causar lesões.
- e. **Não tente chegar a pontos fora do alcance. Mantenha sempre os pés bem apoiados e um equilíbrio apropriado.** Desta forma, será mais fácil controlar a ferramenta eléctrica em situações inesperadas.
- f. **Use vestuário adequado. Não use roupa larga nem jóias. Mantenha o cabelo, a roupa e as luvas afastados das peças móveis.** As roupas largas, as jóias ou o cabelo comprido podem ficar presos nestas peças.
- g. **Se for prevista a montagem de dispositivos de extracção e recolha de poeiras, assegure-se de que estão ligados e que são utilizados de forma correcta.**

A utilização de dispositivos de extracção de partículas pode reduzir os riscos relacionados com as mesmas.

4. **Utilização e manutenção da ferramenta eléctrica**
 - a. **Não sobrecarregue a ferramenta eléctrica. Utilize a ferramenta eléctrica correcta para o seu trabalho.** A ferramenta eléctrica adequada irá efectuar o trabalho de um modo mais eficiente e seguro se for utilizada de acordo com a capacidade para a qual foi concebida.
 - b. **Não utilize a ferramenta eléctrica se o interruptor não puder ser ligado nem desligado.** Qualquer ferramenta eléctrica que não possa ser controlada através do interruptor de alimentação é perigosa e tem de ser reparada.
 - c. **Desligue a ficha da tomada e/ou a bateria da ferramenta eléctrica antes de proceder a ajustes, trocar acessórios ou guardar ferramentas eléctricas.** Estas medidas de segurança preventivas reduzem o risco de ligar a ferramenta eléctrica acidentalmente.
 - d. **Mantenha as ferramentas eléctricas que não estiverem a ser utilizadas fora do alcance das crianças. Não permita que a ferramenta eléctrica seja utilizada por pessoas não familiarizadas com a mesma ou que não tenham lido estas instruções.** As ferramentas eléctricas são perigosas nas mãos de pessoas que não possuam as qualificações necessárias para as manusear.
 - e. **Proceda à manutenção das ferramentas eléctricas. Verifique se as partes móveis estão desalinhasadas ou bloqueadas, se existem peças partidas ou qualquer outra situação que possa afectar o funcionamento das ferramentas eléctricas. Se a ferramenta eléctrica estiver danificada, esta não deve ser utilizada até que seja reparada.** Muitos acidentes têm como principal causa ferramentas eléctricas com uma manutenção insuficiente.
 - f. **Mantenha as ferramentas de corte afiadas e limpas.** As ferramentas de corte sujeitas a uma manutenção adequada, com arestas de corte afiadas, emperram com menos frequência e controlam-se com maior facilidade.
 - g. **Utilize a ferramenta eléctrica, acessórios e peças de ferramenta de acordo com estas instruções, considerando as condições de trabalho e a tarefa a ser executada.** A utilização da ferramenta eléctrica para fins diferentes dos previstos poderá resultar em situações perigosas.
5. **Assistência**
 - a. **A sua ferramenta eléctrica só deve ser reparada por pessoal qualificado e só devem ser colocadas peças sobressalentes originais.** Desta forma, é garantida a segurança da ferramenta eléctrica.

Avisos de segurança adicionais para ferramentas eléctricas



Atenção! Avisos de segurança adicionais para operações de desbaste, lixagem, polimento e corte abrasivo

- ◆ **Esta ferramenta eléctrica foi concebida para funcionar como ferramenta de desbaste, lixagem, polimento ou corte. Leia todos os avisos de segurança, instruções, ilustrações e especificações fornecidas com esta ferramenta eléctrica.** O não cumprimento de todas as instruções indicadas abaixo pode resultar em choque eléctrico, incêndio e/ou lesões graves.
- ◆ **As operações para as quais a ferramenta eléctrica não foi concebida poderão criar perigo e causar ferimentos.**
- ◆ **Não utilize acessórios que não tenham sido especificamente concebidos e recomendados pelo fabricante da ferramenta.** O facto de um acessório poder ser instalado na sua ferramenta eléctrica não garante um funcionamento seguro do mesmo.
- ◆ **A velocidade nominal do acessório tem de ser, no mínimo, equivalente à velocidade máxima indicada na ferramenta eléctrica.** Os acessórios que forem utilizados a uma velocidade superior à respectiva velocidade nominal poderão fragmentar-se e projectar esses fragmentos
- ◆ **O diâmetro exterior e a espessura do seu acessório têm de ser compatíveis com a capacidade da sua ferramenta eléctrica.** Os acessórios com um tamanho incorrecto não podem ser protegidos nem controlados de forma adequada.
- ◆ **A montagem em rosca dos acessórios deve corresponder à rosca do veio da ferramenta de desbaste. No que respeita a acessórios montados com flanges, o orifício de fixação do acessório deve corresponder ao diâmetro de localização da flange.** Os acessórios que não correspondam ao tamanho dos elementos de montagem da ferramenta eléctrica irão funcionar de forma desequilibrada e vibrar de modo excessivo, podendo causar a perda do controlo da ferramenta.
- ◆ **Não utilize acessórios danificados. Antes de cada utilização, inspecione o acessório e verifique se existem rachas e fendas nos discos abrasivos, disco de suporte quanto a rachas, fendas ou excesso de desgaste. Se deixar cair a ferramenta eléctrica ou os acessórios, verifique se apresenta danos ou instale um acessório sem danos. Se o acessório instalado na ferramenta ficar danificado, substitua-o. Após inspecionar e instalar um acessório, coloque-se a si mesmo e quaisquer outras pessoas presentes no local numa posição afastada do ângulo de trabalho do acessório**

rotativo e ligue a ferramenta eléctrica na respectiva velocidade máxima em vazio durante um minuto. Os acessórios danificados irão normalmente fragmentar-se durante este período de teste.

- ◆ **Use equipamento de protecção pessoal. Dependendo da operação, use uma viseira ou óculos de protecção. De acordo com o necessário, use uma máscara contra o pó, protectores auditivos, luvas e um avental de trabalho capaz de o proteger contra pequenos fragmentos abrasivos ou da peça de trabalho.** A protecção ocular tem de ser capaz de o proteger contra a projecção de detritos resultantes de várias operações. A máscara contra o pó (ou um filtro respiratório equivalente) tem de ser capaz de filtrar as partículas criadas pela utilização da ferramenta. A exposição prolongada a ruídos de elevada intensidade poderá causar perda de audição.
- ◆ **Mantenha as outras pessoas presentes no local a uma distância segura da área de trabalho. Qualquer pessoa que entre no perímetro da área de trabalho tem de usar equipamento de protecção pessoal.** Poderá dar-se o caso de fragmentos da peça de trabalho ou de um acessório partido serem projectados para longe e causarem ferimentos fora da área de trabalho imediata.
- ◆ **Segure a ferramenta eléctrica apenas pelas superfícies isoladas específicas para o efeito ao efectuar uma operação em que o acessório de corte possa entrar em contacto com fios ocultos ou com o próprio cabo da ferramenta.** O acessório de corte que entrem em contacto com um fio com tensão eléctrica poderão fazer com que as peças de metal expostas da ferramenta conduzam electricidade e electrocitem o utilizador.
- ◆ **Afaste o cabo de alimentação do acessório rotativo.** Se perder o controlo da ferramenta, o cabo poderá ser cortado ou ficar preso no acessório, puxando a sua mão ou o seu braço na direcção do acessório rotativo.
- ◆ **Nunca pouse a ferramenta eléctrica antes de o acessório ficar completamente imobilizado.** Caso contrário, o acessório rotativo poderá ficar preso na superfície onde pousou a ferramenta eléctrica e puxá-la para longe das suas mãos, fazendo-o perder o controlo da mesma.
- ◆ **Não ligue a ferramenta eléctrica enquanto estiver a transportá-la ao seu lado.** Um contacto accidental do acessório rotativo com a sua roupa poderá prendê-la no mesmo, puxando o acessório na direcção do seu corpo.
- ◆ **Limpe regularmente as aberturas de ventilação da ferramenta eléctrica.** A ventoinha do motor irá puxar as partículas no interior da caixa da ferramenta e a acumulação excessiva de metal em pó poderá causar riscos eléctricos.
- ◆ **Não utilize a ferramenta eléctrica perto de materiais inflamáveis.** Estes materiais poderão ser inflamados por faíscas da ferramenta.

- ◆ **Não utilize acessórios que necessitem de líquidos de refrigeração.** A utilização de água ou outros líquidos de refrigeração poderá resultar em electrocussão ou choque eléctrico.

Nota: O aviso indicado acima não se aplica a ferramentas eléctricas concebidas especificamente para utilização com um sistema líquido.

Aviso relacionado com o efeito de coice e situações semelhantes

O efeito de coice é uma reacção súbita resultante do aperto ou bloqueio de um disco rotativo, de um disco de suporte, de uma catrabuça ou de qualquer outro acessório. O aperto ou bloqueio causa uma paragem rápida do acessório rotativo, o que, por sua vez, faz com que a ferramenta eléctrica seja impelida na direcção oposta à rotação do acessório no ponto de bloqueio.

Por exemplo, se um disco abrasivo ficar preso ou for apertado pela peça de trabalho, a extremidade do disco que estiver em contacto com o ponto de aperto pode penetrar a superfície do material, fazendo o disco subir ou saltar da peça. O disco poderá então saltar na direcção do utilizador ou para longe do mesmo, dependendo da direcção do movimento do disco no ponto de aperto. Os discos abrasivos podem também partir-se nestas condições.

O efeito de coice é o resultado de uma utilização abusiva da ferramenta eléctrica e/ou de condições ou procedimentos de utilização incorrectos e pode ser evitado tomando as precauções indicadas abaixo:

- ◆ **Segure a ferramenta eléctrica com firmeza e posicione o seu corpo e o seu braço de forma a poder resistir ao efeito de coice. Utilize sempre o punho auxiliar, caso este seja fornecido, para controlar ao máximo o efeito de coice ou a reacção do binário durante o arranque da ferramenta.** O utilizador pode controlar facilmente a reacção do binário ou o efeito de coice se forem tomadas as devidas precauções.
- ◆ **Nunca coloque a sua mão perto do acessório rotativo.** O efeito de coice poderá fazer o acessório saltar para cima da sua mão.
- ◆ **Não posicione o seu corpo na área para a qual a ferramenta eléctrica poderá saltar caso ocorra o efeito de coice.** O efeito de coice irá projectar a ferramenta na direcção oposta ao movimento do disco no ponto de bloqueio.
- ◆ **Tenha especial cuidado ao utilizar a ferramenta em cantos, extremidades aguçadas, etc. Evite que o acessório salte ou fique preso na peça de trabalho.** Os cantos, as extremidades aguçadas ou o facto de o acessório rotativo saltar tendem a fazê-lo ficar preso na peça

de trabalho e, consequentemente, a causar a perda do controlo da ferramenta ou a ocorrência do efeito de coice.

- ◆ **Não instale na ferramenta uma lâmina de corrente de serra para esculpir madeira ou uma lâmina de serra dentada.** Estas lâminas originam frequentemente o efeito de coice e a perda do controlo da ferramenta.

Avisos de segurança específicos para operações de desgaste e corte abrasivo:

- ◆ **Utilize apenas os tipos de disco recomendados para a sua ferramenta eléctrica e a protecção específica concebida para o disco seleccionado.** Os discos para os quais a ferramenta eléctrica não foi concebida não podem ser protegidos de forma adequada e, consequentemente, não são seguros.
- ◆ **A superfície de desgaste das rodas com depressão central deve ser montada abaixo da plaina da aba de protecção.** Uma roda montada incorrectamente que fique saliente através da plaina da aba de protecção não dispõe de protecção adequada.
- ◆ **A protecção tem de ser fixa com segurança à ferramenta eléctrica e posicionada de forma a proporcionar a máxima segurança possível, de modo a que apenas esteja exposta uma superfície mínima do disco na direcção do utilizador.** O resguardo ajuda a proteger o utilizador contra fragmentos do disco partido, qualquer contacto accidental com o disco e as faiscas podem queimar a roupa.
- ◆ **Os discos devem ser utilizados exclusivamente para as operações recomendadas. Por exemplo, não desgaste materiais com a parte lateral de um disco de corte.** Os discos de corte abrasivos destinam-se a efectuar desgastes periféricos e qualquer pressão lateral aplicada nestes discos poderá parti-los.
- ◆ **Utilize sempre encaixes de disco intactos com um tamanho e uma forma adequados para o disco seleccionado.** Os encaixes de disco apropriados suportam correctamente o disco, reduzindo assim a possibilidade de quebra do mesmo. Os encaixes para discos de corte poderão ser diferentes dos encaixes para discos de desgaste.
- ◆ **Não utilize discos gastos de ferramentas eléctricas maiores.** Os discos concebidos para ferramentas eléctricas maiores não são adequados para a velocidade mais alta de uma ferramenta mais pequena e poderão fragmentar-se.

Avisos de segurança adicionais específicos para operações de corte abrasivo

- ◆ **Não “encrave” a roda de corte nem aplique pressão excessiva. Não efectue cortes excessivamente profundos.** Uma pressão excessiva sobre a roda aumenta

a carga e a susceptibilidade de torcer ou bloquear a roda durante o corte, bem como a possibilidade de contra-golpe ou de a roda se partir.

- ◆ **Não posicione o corpo alinhado e atrás da roda rotativa.** Quando a roda, no ponto de funcionamento, se estiver a afastar do seu corpo, um possível contra-golpe poderá impulsionar a roda e a ferramenta eléctrica directamente para si.
- ◆ **Quando a roda estiver a ficar bloqueada ou quando interromper um corte por qualquer motivo, desligue a ferramenta eléctrica e mantenha-a imóvel até que a roda pare completamente. Nunca retire o disco de corte do corte enquanto o disco estiver em movimento. Caso contrário, poderá ocorrer o efeito de coice.** Investigue e tome acções correctivas para eliminar a causa do bloqueio do disco.
- ◆ **Não reinicie a operação de corte na peça. Deixe o disco alcançar a velocidade máxima e coloque a serra com cuidado no local do corte.** A roda poderá subir ou saltar da peça de trabalho ou emperrar se a ferramenta eléctrica for reiniciada em contacto com a peça.
- ◆ **Apoie painéis ou qualquer peça de grandes dimensões para minimizar o risco de prisão da roda e de contra-golpe.** As peças de trabalho de grandes dimensões tendem a vergar sobre o seu próprio peso. É necessário colocar suportes por baixo da peça de trabalho em ambos os lados do disco, perto da linha de corte e da extremidade da peça.
- ◆ **Tenha especial cuidado quando efectuar um corte directo em paredes existentes ou outras áreas ocultas.** O disco poderá cortar a canalização de gás ou água, a cablagem eléctrica ou outros objectos que podem causar o efeito de coice.

Avisos de segurança específicos para operações de lixadeira

- ◆ **Não utilize papel de disco para lixar com dimensões excessivas. Siga as recomendações dos fabricantes quando seleccionar o papel para lixar.** Uma lixa com um tamanho excessivo que ultrapasse o limite do disco de suporte representa um risco de dilaceração e poderá fazer o disco ficar preso ou danificado, ou causar a ocorrência do efeito de coice.

Avisos de segurança específicos para operações de polimento

- ◆ **Não permita que partes soltas da cobertura de polimento ou respectivos fios de ligação rodem livremente. Esconda ou corte quaisquer fios de fixação soltos.** Os fios de fixação soltos a rodar podem prender os seus dedos ou ficar presos na peça de trabalho.

Segurança de terceiros

- ◆ Este aparelho não deve ser utilizado por pessoas (incluindo crianças) que apresentem capacidades físicas, sensoriais ou mentais reduzidas ou que não possuam os conhecimentos e a experiência necessários, excepto se forem vigiadas e instruídas acerca da utilização do aparelho por uma pessoa responsável pela sua segurança.
- ◆ As crianças deverão ser vigiadas para que não mexam no aparelho.

Riscos residuais.

Podem surgir riscos residuais adicionais durante a utilização da ferramenta, que poderão não constar nos avisos de segurança incluídos. Estes riscos podem resultar de má utilização, uso prolongado, etc.

Mesmo com o cumprimento dos regulamentos de segurança relevantes e com a implementação de dispositivos de segurança, alguns riscos residuais não podem ser evitados. Estes incluem:

- ◆ **Ferimentos causados pelo contacto com peças em rotação/movimento.**
- ◆ **Ferimentos causados durante a troca de peças, lâminas ou acessórios.**
- ◆ **Ferimentos causados pela utilização prolongada de uma ferramenta. Quando utilizar uma ferramenta durante períodos prolongados, certifique-se de que faz pausas regularmente.**
- ◆ **Danos auditivos.**
- ◆ **Problemas de saúde causados pela inalação de poeiras resultantes da utilização da ferramenta (exemplo: trabalhos em madeira, especialmente carvalho, faia e MDF).**

Vibração

Os valores de emissão de vibração declarados na secção de dados técnicos e na declaração de conformidade foram medidos de acordo com o método de teste padrão fornecido pela norma EN60745 e podem ser utilizados para comparar ferramentas. O valor de emissão de vibração declarado pode ainda ser utilizado numa avaliação preliminar de exposição.

Atenção! O valor de emissão de vibração durante a utilização real da ferramenta eléctrica pode ser diferente do valor declarado, dependendo da forma como a ferramenta é utilizada. O nível de vibração pode aumentar acima do nível indicado. Quando avaliar a exposição da vibração para determinar as medidas de segurança exigidas pela Directiva 2002/44/CE para proteger pessoas que utilizem regularmente ferramentas eléctricas na sua actividade profissional, deve ser considerada uma estimativa de exposição de vibração, as condições reais de utilização e o modo de utilização da ferramenta, incluindo ainda todas as partes do ciclo de funcionamento,

como os períodos de inactividade e espera da ferramenta, para além do tempo de funcionamento.

Etiquetas colocadas na ferramenta

A ferramenta apresenta os seguintes pictogramas de aviso juntamente com o código de data:



Atenção! Para reduzir o risco de ferimentos, o utilizador deve ler o manual de instruções.



Utilize óculos ou viseiras de protecção quando utilizar esta ferramenta.



Utilize protectores dos ouvidos quando utilizar esta ferramenta.

Segurança eléctrica



Esta ferramenta tem isolamento duplo. Por esse motivo, não precisa de ligação à terra. Verifique sempre se a tensão da tomada de electricidade corresponde à voltagem indicada na placa com os requisitos de alimentação da ferramenta.

- ◆ Se o cabo de alimentação estiver danificado, terá de ser substituído pelo fabricante ou por um Centro de Assistência autorizado BLACK+DECKER, de modo a evitar situações de perigo.

Componentes

Esta ferramenta inclui algumas ou todas as características seguintes.

1. Interruptor de ligar/desligar
2. Punho lateral
3. Bloqueio do veio
4. Protecção

Montagem

Atenção! Antes da montagem, certifique-se de que a ferramenta está desligada e que não está ligada à corrente eléctrica.

Colocar e remover a protecção (fig. A)

A ferramenta é fornecida com uma protecção apenas para trabalhos de esmerilhão. Se a unidade se destinar a operações de corte, deverá ser colocada uma protecção específica desta operação. Está disponível uma protecção adequada para operações de corte com os números de peça 1004702-27 e 1004702-28 para os modelos KG711/KG911 e KG912/KG752 e pode ser obtida nos centros de assistência BLACK+DECKER.

Colocar e remover a protecção (fig. A)

Apenas KG912

A ferramenta é fornecida com uma protecção para trabalhos de corte. Se a unidade se destinar a operações de esmeril, deve ser utilizada uma protecção específica para esta operação. Existe uma protecção adequada para operações de esmeril com número de peça 1004702-36, que pode ser obtida nos centros de assistência da BLACK & DECKER.

Montagem

- ◆ Coloque a rebarbadora angular em cima de uma mesa com o veio (5) virado para cima.
- ◆ Alinhe os apoios (8) com os entalhes (9).
- ◆ Prima a protecção (4) para baixo e rode-a para a posição pretendida.
- ◆ Aperte o parafuso (6) com segurança.
- ◆ Para retirar a protecção, afrouxe o parafuso

Atenção! Nunca utilize a ferramenta sem a protecção.

Encaixar o punho lateral

- ◆ Aparafuse a pega lateral (2) num dos orifícios de montagem da ferramenta.

Atenção! Utilize sempre o punho lateral.

Colocar e remover discos de esmerilação ou corte (fig. B - D)

Utilize sempre o tipo de disco correcto para a sua aplicação. Utilize sempre discos com o diâmetro e o orifício correctos (ver os dados técnicos).

Montagem

- ◆ Coloque a protecção como indicado acima.
- ◆ Coloque a flange interior (10) no eixo (5) como indicado (fig. B). Certifique-se de que a flange está correctamente posicionada nos lados lisos do eixo.
- ◆ Coloque o disco (11) no eixo (5) como indicado (fig. B). Se o disco tiver um centro elevado (12), certifique-se de que esse centro elevado está virado para a flange interior.
- ◆ Certifique-se de que o disco está correctamente localizado na flange interior.
- ◆ Coloque a flange exterior (13) no eixo. Quando se monta um disco de esmerilação, o centro elevado da flange exterior deverá estar virado para o disco (A na fig. C). Quando se monta um disco de corte, o centro elevado da flange exterior deverá estar de costas para o disco (B na fig. C).
- ◆ Mantenha o bloqueio do eixo (3) premido e aperte a flange exterior utilizando a chave-inglesa de dois pinos (14) (fig. D).

Remover

- ◆ Mantenha o bloqueio do eixo (3) premido e solte a flange exterior (13) utilizando a chave-inglesa de dois pinos (14) (fig. D).
- ◆ Remova a flange exterior (13) e o disco (11).

Colocar e remover discos para lixar (fig. D e E)

Para lixar, é necessário uma protecção. Pode encontrar a protecção com acessório no seu revendedor BLACK+DECKER.

Montagem

- ◆ Coloque a flange interior (10) no eixo (5) como indicado (fig. E). Certifique-se de que a flange está correctamente posicionada nos lados lisos do eixo.
- ◆ Coloque a protecção (15) no eixo.
- ◆ Coloque o disco para lixar (16) na protecção.
- ◆ Coloque a flange exterior (13) no eixo com o centro elevado de costas para o disco.
- ◆ Mantenha o bloqueio do eixo (3) premido e aperte a flange exterior utilizando a chave-inglesa de dois pinos (14) (fig. D). Certifique-se de que a flange exterior está correctamente colocada e que o disco está firmemente fixado.

Remover

- ◆ Mantenha o bloqueio do eixo (3) premido e solte a flange exterior (13) utilizando a chave-inglesa de dois pinos (14) (fig. D).
- ◆ Remova a flange exterior (13), o disco para lixar (16) e a protecção (15).

Utilização

Atenção! Não altere o ritmo de funcionamento da ferramenta. Não sobrecarregue.

- ◆ Oriente o cabo com cuidado para evitar cortes acidentais.
- ◆ Esteja preparado para uma torrente de faíscas quando o disco de esmerilação ou corte tocar na peça.
- ◆ Posicione sempre a ferramenta de forma a que a protecção contra o disco de esmerilação ou corte seja a ideal.

Ligar e desligar

- ◆ Para ligar, faça deslizar para a frente o interruptor para ligar/desligar (1). Tenha em atenção que a ferramenta continuará a funcionar quando libertar o interruptor.
- ◆ Para desligar, pressione a parte de trás do interruptor para ligar/desligar.

Atenção! Não desligue a ferramenta sob carga.

Funcionalidade de arranque suave

A funcionalidade de arranque suave permite o aumento progressivo da velocidade, de forma a evitar um puxão

inicial da ferramenta aquando do respectivo arranque. Esta funcionalidade é particularmente útil ao trabalhar em espaços confinados.

Corte de alimentação

A função de corte de alimentação impede o arranque da rebarbadora sem o interruptor se houver uma falha na fonte de alimentação.

Sugestões para uma utilização óptima

- ◆ Segure com firmeza a ferramenta com uma mão no punho lateral e a outra no punho principal.
- ◆ Ao esmerilar, mantenha sempre um ângulo aproximado de 15° entre o disco e a superfície da peça.

Manutenção

O seu aparelho/ferramenta com/sem fios BLACK+DECKER foi concebido para funcionar durante muito tempo, com um mínimo de manutenção. Uma utilização continuamente satisfatória depende de uma manutenção apropriada da ferramenta e de uma limpeza regular.

Atenção! Antes de proceder a qualquer acção de manutenção em ferramentas eléctricas com cabo/sem fios:

- ◆ Desligue o aparelho/ferramenta e retire a respectiva ficha da tomada.
- ◆ Ou desligue e remova a bateria do aparelho/ferramenta caso o aparelho/ferramenta tenha uma bateria individual.
- ◆ Ou deixe a bateria descarregar completamente se estiver incorporada e, em seguida, desligue-a.
- ◆ Desligue o carregador antes de o limpar. O seu carregador não necessita de manutenção para além da limpeza regular.
- ◆ Limpe regularmente as ranhuras de ventilação do aparelho/ferramenta/carregador com uma escova suave ou um pano seco.
- ◆ Limpe regularmente o compartimento do motor com um pano húmido. Não utilize produtos de limpeza abrasivos ou à base de solventes.
- ◆ Abra o mandril regularmente e bata no mesmo para remover qualquer vestígio de pó do seu interior (quando colocado).

Protecção do ambiente



Faça uma recolha de lixo selectiva. Os produtos e as baterias assinaladas com este símbolo não devem ser eliminados juntamente com o lixo doméstico normal.

Os produtos e as baterias contêm materiais que podem ser recuperados ou reciclados, reduzindo assim a necessidade de matérias-primas. Recicle os produtos eléctricos e as baterias de acordo com as disposições locais.

Dados técnicos

		KG711 (Type 1)
Tensão de entrada	V _{AC}	230
Alimentação	W	750
Velocidade nominal	min. ⁻¹	12.000
Diâmetro do disco	mm	115
Furo do disco	mm	22
Espessura máxima do disco		
discos de esmerilação	mm	6
discos de corte	mm	3,5
Tamanho do eixo		M14
Peso	kg	2

		KG911-KG912-KG752 (Type 1)
Tensão de entrada	V _{AC}	230
Alimentação	W	KG911, KG912 = 900 W KG752 (800 W)
Velocidade nominal	min. ⁻¹	12.000
Diâmetro do disco	mm	KG711, KG911 = 115 KG912, KG752 = 125
Furo do disco	mm	22
Espessura máxima do disco		
discos de esmerilação	mm	6
discos de corte	mm	3,5
Tamanho do eixo		M14
Peso	kg	KG711, KG911, KG752 = 2,1 KG912 = 2,2

KG711, KG911, KG912	
L _{DA} (pressão acústica)	92,6 dB(A), Imprecisão (K) 3 dB(A)
L _{WA} (potência acústica)	103,6 dB(A), Imprecisão (K) 3 dB(A)
Valores totais de vibração (soma vectores triax) de acordo com EN60745:	
Esmerilação da superfície (a _{h,SG})	9,9 m/s ² , imprecisão (K) 1,5 m/s ²
Corte (a _v)	4,6 m/s ² , imprecisão (K) 1,5 m/s ²
Polimento (a _{h,p})	4,5 m/s ² , imprecisão (K) 1,5 m/s ²
Lixamento com disco (a _{h,DS})	9,6 m/s ² , imprecisão (K) 1,5 m/s ²

KG752
L_{pA} (pressão acústica) 94,5 dB(A), Imprecisão (K) 3 dB(A)
L_{VA} (potência acústica) 105,5 dB(A), Imprecisão (K) 3 dB(A)
Valores totais de vibração (soma vectores triax) de acordo com EN60745:
Esmerilização da superfície ($a_{h,SG}$) 9,9 m/s ² , imprecisão (K) 1,5 m/s ²
Corte (a_h) 9,1 m/s ² , imprecisão (K) 1,5 m/s ²
Polimento ($a_{h,p}$) 5,0 m/s ² , imprecisão (K) 1,5 m/s ²
Lixamento com disco ($a_{h,DS}$) 3,3 m/s ² , imprecisão (K) 1,5 m/s ²

Declaração de conformidade CE

DIRECTIVA "MÁQUINAS"



Rebarbadoras angulares KG711, KG911, KG912, KG752

A Black & Decker declara que os produtos descritos nos

"dados técnicos" estão em conformidade com:

2006/42/CE, EN60745-1:2009 +A11:2010;

EN60745-2-3:2011 +A2:2013 +A11:2014 +A12:2014

Estes produtos estão também em conformidade com as Directivas 2004/108/CE (até 19.04.2016), 2014/30/UE (a partir de 20.04.2016) e 2011/65/UE. Para obter mais informações, contacte a Black & Decker através da morada indicada em seguida ou consulte o verso do manual.

O signatário é responsável pela compilação do ficheiro técnico e efectua esta declaração em nome da Black & Decker.

Director de Engenharia

Black & Decker Europe, 210 Bath Road, Slough,
Berkshire, SL1 3YD, Reino Unido

18.11.2015

Garantia

A Black & Decker confia na qualidade dos seus produtos e oferece aos consumidores uma garantia de 24 meses a partir da data de compra. Esta garantia é um complemento dos seus direitos estabelecidos por lei, não os prejudicando de forma alguma. A garantia é válida nos Estados-membros da União Europeia e nos países-membros da Zona Europeia de Comércio Livre. Para accionar a garantia, esta deverá estar de acordo com os termos de condições da Black&Decker terá de apresentar comprovativos de compra ao vendedor ou a um agente de reparação autorizado.

Os termos e condições da garantia de 2 anos da Black&Decker e a localização do seu agente de reparação autorizado mais próximo podem ser obtidos na Internet em www.2helpU.com ou contactando o escritório da local Black & Decker através da morada indicada neste manual. Visite o nosso Web site www.blackanddecker.co.uk para registar o novo produto Black & Decker e manter-se actualizado relativamente a novos produtos e ofertas especiais.

Avsedd användning

Din BLACK+DECKER KG711, KG911, KG912, KG752 vinkelslip är konstruerad för kapning av metall och murverk med hjälp av rätt slags kap- eller slipskiva. Försett med rätt slags skydd är detta verktyg endast avsett för konsumentbruk.

Säkerhetsinstruktioner

Allmänna säkerhetsanvisningar för elverktyg



Varning! Läs alla säkerhetsvarningar och instruktioner. Fel som uppstår till följd av att varningarna och instruktionerna som listas nedan inte följts kan orsaka elstötar, brand och/eller allvarliga kroppsskador.

Spara alla säkerhetsföreskrifter och anvisningar för framtida bruk. Begreppet "Elverktyg" i alla varningar som listas nedan avser nätdrivna elverktyg (med nätsladd) och batteridrivna elverktyg (sladdlösa).

1. Säkerhet på arbetsområdet

- Se till att arbetsområdet är rent och väl belyst.** Stökiga eller mörka områden inbjuder till olyckor.
- Använd inte elverktyget i explosionsfarlig omgivning, t.ex. i närheten av brännbara vätskor, gaser eller damm.** Elverktyg ger upphov till gnistor som kan antända damm eller ångor.
- Håll barn och andra obehöriga personer på avstånd vid arbete med elverktyget.** Distractioner kan göra att du förlorar kontrollen.

2. Elsäkerhet

- Elverktygets stickkontakt måste passa i eluttaget.** Modifiera aldrig kontakten på något sätt. Använd inga adapterpluggar med jordanslutna (jordade) elektriska verktyg. Icke modifierade kontakter och passande uttag minskar risken för elektrisk stöt.
- Undvik kroppskontakt med jordade ytor, t.ex. rör, värmeelement, spisar och kylskåp.** Det finns en ökad risk för elektrisk stöt om din kropp är jordansluten eller jordad.
- Utsätt inte elverktyget för regn eller våta omgivelningar.** Vatten som kommer in i ett elverktyg ökar risken för elektrisk stöt.
- Hantera nätsladden varsamt. Använd aldrig sladden för att bära, dra eller koppla bort elverktyget från uttaget.** Håll sladden borta från värme, olja, skarpa kanter eller rörliga delar. Skadade eller tilltrasslade sladdar ökar risken för elektrisk stöt.
- Använd en förlängningssladd som lämpar sig för utomhusbruk när du arbetar med elverktyg utomhus.**

Att använda en sladd som lämpar sig för utomhusanvändning minskar risken för elektrisk stöt.

- Om du måste använda ett elverktyg på en fuktig plats, bör du använda en strömförsörjning med jordfelsbrytare.** Att använda en jordfelsbrytare minskar risken för elektrisk stöt.
- ### 3. Personlig säkerhet
- Var uppmärksam, se på vad du gör och använd sunt omdöme när du använder elverktyget.** Använd inte ett elverktyg när du är trött eller påverkad av droger, alkohol eller mediciner. Ett ögonblicks ouppmärksamhet när du arbetar med elektriska verktyg kan leda till allvarliga personskador.
 - Använd personlig skyddsutrustning. Använd alltid skyddsglasögon.** Skyddsutrustning såsom dammskyddsmask, halksäkra säkerhetsskor, skyddshjälm, eller hörselskydd om de används under rätta förhållanden, minskar risken för personskador.
 - Förhindra oavsiktlig igångsättning. Kontrollera att strömbrytaren står i avstängt läge innan du ansluter verktyget till elnätet eller sätter i batteriet, samt innan du tar upp eller bär verktyget.** Att bära elektriska verktyg med fingret på strömbrytaren eller att koppla strömmen till elektriska verktyg när strömbrytaren är på leder till olyckor.
 - Ta bort alla inställningsverktyg och skruvnycklar innan du startar elverktyget.** Ett verktyg eller en nyckel som har lämnats kvar på en roterande del av det elektriska verktyget kan orsaka kroppsskador.
 - Sträck dig inte för mycket. Ha ordentligt fotfäste och balans hela tiden.** Detta möjliggör bättre kontroll av elverktyget i oväntade situationer.
 - Bär lämpliga kläder. Bär inte lösa kläder eller smycken. Håll hår, beklädnad och handskar borta från delar i rörelse.** Lösa kläder, smycken eller långt hår kan fastna i rörliga delar.
 - Om elverktyget har dammsugnings- och uppsamlingsutrustning, säkerställ att den är ansluten och används på korrekt sätt.** Användning av dammuppsamling kan minska dammrelaterade risker.
- ### 4. Bruk och skötsel av elverktyg
- Överbelasta inte elverktyget. Använd rätt elverktyg för ditt arbete.** Det korrekta elverktyget gör arbetet bättre och säkrare vid den hastighet för vilket det konstruerades.
 - Använd inte elverktyget om det inte kan startas och stängas av med strömbrytaren.** Ett elverktyg som inte kan kontrolleras med strömbrytaren är farligt och måste repareras.
 - Dra stickproppen ur vägguttaget och/eller ta ut batteriet ur elverktyget innan inställningar görs, tillbehörsdelar byts ut eller elverktyget ställs undan.**

Sådana förebyggande säkerhetsåtgärder minskar risken att oavsiktligt starta elverktuget.

- d. **Förvara elverktyg utom räckhåll för barn och låt inte personer som är ovana vid elverktuget eller som inte läst denna bruksanvisning använda det.** Elektriska verktyg är farliga i händerna på ovana användare.
- e. **Underhålla elverktyg.** Kontrollera att rörliga komponenter fungerar felfritt och inte kärvar, att komponenter inte gått sönder eller skadats och inget annat föreligger som kan påverka elverktugets funktion. Om det är skadat, se till att elverktuget blir reparerat före användningen. Många olyckor orsakas av dåligt underhållna elektriska verktyg.
- f. **Håll kapverktyg vassa och rena.** Ordentligt underhållna kapningsverktyg med vassa skårytor fastnar inte så lätt och är lättare att kontrollera.
- g. **Använd elverktyg, tillbehör, bits m.m. enligt dessa anvisningar, samtidigt som arbetsförhållandena och det arbete som ska utföras beaktas.** Att använda elverktuget för något annat än det som det är avsett för, kan leda till en riskfylld situation.

5. Service

- a. **Låt en kvalificerad reparatör som bara använder originaldelar utföra service på elverktuget.** Detta säkerställer att elverktugets säkerhet bibehålls.

Ytterligare säkerhetsanvisningar för elverktyg



Varning! Ytterligare säkerhetsanvisningar för slipning och sandslipning, samt polerings- eller kapningsarbeten

- ◆ **Detta elverktyg är avsett att fungera som slip-, sandslip-, polerings- eller kapverktyg.** Läs alla säkerhetsvarningar, instruktioner, illustrationer och specifikationer som levereras med detta elverktyg. Underlåtenhet att läsa alla instruktioner som listas här nedan kan resultera i elektrisk stöt, eldsvåda och/eller allvarlig personskada.
- ◆ **Arbeten som elverktuget inte är konstruerat för kan eventuellt ge upphov till fara och orsaka personskada.**
- ◆ **Använd inte tillbehör som inte är specifikt konstruerade och rekommenderade av verktygstillverkaren.** Bara för att tillbehöret kan monteras på ditt elverktyg, garanterar inte detta en säker användning.
- ◆ **Tillbehörets nominella hastighet måste vara åtminstone samma som den maximala hastighet som anges på elverktuget.** Tillbehör som går snabbare än sin nominella hastighet kan gå sönder och splittras.
- ◆ **Ytterdiametern och tjockleken på ditt tillbehör måste vara inom elverktugets nominella kapacitet.** Tillbehör med fel storlek kan inte skyddas eller kontrolleras korrekt.
- ◆ **Pågångade tillbehörs gänga måste vara den samma som slipens spindelgänga.** För tillbehör monterade med flansar måste spindelhålet på tillbehöret passa fixeringsdiametern på flänsen. Tillbehör med som inte matchar elverktugets monterade hårdvara kommer att gå obalanserat, vibrera för mycket och kan orsaka att man tappar kontrollen.
- ◆ **Använd inte ett skadat tillbehör.** Inspektera tillbehören före varje användning, t.ex. om delar av slipskivorna har brutits bort eller om de är spruckna, om stödrondeller är spruckna, nöta eller extremt slitna. Om elverktyg eller tillbehör tappas, inspektera för ev. skada eller installera ett oskadat tillbehör. Efter inspektion och installation av ett tillbehör, placera dig själv och åskådare på sidan av det roterande tillbehörets plan och kör elverktuget med maximal hastighet utan belastning i en minut. Skadade tillbehör kommer normalt att falla sönder under denna testkörning.
- ◆ **Använd personlig skyddsutrustning.** Beroende på tillämpning, använd ansiktskydd, skyddsglasögon eller säkerhetsglasögon. Efter vad som är lämpligt, bär dammskyddsmask, hörselskydd, handskar och verkstadsförkläde som klarar av att stoppa små slivande delar eller bitar av arbetsstycket. Ögonskyddet måste klara av att stoppa flygande skräp som skapas av diverse arbetsmoment. Dammskyddsmasken eller respiratorn måste kunna filtrera partiklar som uppstår vid ditt arbete. Att utsättas för högt buller under lång tid kan orsaka hörselskador.
- ◆ **Håll åskådare på säkert avstånd från arbetsområdet.** Alla som kommer in i arbetsområdet måste ha personlig skyddsutrustning. Småbitar av arbetsstycket eller av ett trasigt tillbehör kan flyga iväg och orsaka personskada bortom det omedelbara arbetsområdet.
- ◆ **Håll elverktuget endast i de isolerade greppytorna när arbete utförs där det skärande tillbehöret kan komma i kontakt med dolda elledningar eller sin egen sladd.** Skärande tillbehör som kommer i kontakt med en strömförande ledning kan göra att oskyddade metalldelar av elverktuget blir strömförande och kan ge användaren en elektrisk stöt.
- ◆ **Placera sladden så att den inte kommer i kontakt med det roterande tillbehöret.** Om du tappar kontrollen kan sladden bli kapad eller fastna, och din hand eller arm kan dras in i det roterande tillbehöret.
- ◆ **Lägg aldrig ifrån dig elverktuget förrän tillbehöret har stannat helt och hållet.** Det roterande tillbehöret kan hugga tag i ytan och dra iväg verktyget så att du tappar kontrollen över det.

- ◆ **Kör inte elverktyget medan du bär det vid sidan.** Oavsiktlig kontakt med det roterande tillbehöret skulle kunna ta tag i dina kläder och dra in tillbehöret i din kropp.
- ◆ **Rengör regelbundet elverktygets lufthål.** Motorns fläkt kommer att dra in dammet i kåpan och för mycket metall-damm som samlas där kan ge upphov till elektriska risker.
- ◆ **Använd inte elverktyget i närheten lättantändliga material.** Gnistor skulle kunna antända dessa material.
- ◆ **Använd inte tillbehör som kräver flytande kylmedel.** Användning av vatten eller andra flytande kylmedel kan leda till livsfarlig elstöt eller stöt.

Notera: Ovanstående varning gäller inte för elverktyg som har konstruerats speciellt för användning med ett vätskesystem.

Rekyl och varningar i samband med det

Rekyl är en plötslig reaktion på en fastklämd eller fastkörd roterande skiva, stödrondell, borste eller något annat tillbehör. Klämning eller fastkörning orsakar snabb överstegring av det roterande tillbehöret, som i sin tur tvingar det okontrollerade elverktyget i motsatt riktning mot tillbehörets rotation på det ställe där det har fastnat.

Om till exempel en slipskiva fastnar eller kläms av arbetsstycket, kan kanten på skivan som går in i klämpunkten gräva sig in i materialets yta och göra att skivan dras eller hoppar ut. Skivan kan antingen hoppa mot eller bort från användaren, beroende på skivans rörelseriktning vid klämpunkten. Slipskivor kan dessutom brytas sönder under dessa förhållanden.

Rekyl är resultatet av felanvändning av elverktyget och/eller felaktiga arbetsprocedurer eller arbetsförhållanden, och kan undvikas genom att vidta ordentliga försiktighetsåtgärder så som beskrivs här nedan:

- ◆ **Bibehåll ett fast grepp om elverktyget, och placera din kropp och arm så att de motverkar rekytkrafter.** Använd alltid extrahandtag, om sådant medföljer, för maximal kontroll över rekyl eller vridmomentreaktion vid starten. Användaren kan kontrollera vridmomentreaktion eller rekytkrafter, om korrekta försiktighetsåtgärder vidtas.
- ◆ **Placera aldrig din hand nära roterande tillbehör.** Tillbehöret kan rekylera över din hand.
- ◆ **Placera inte din kropp inom det område dit elverktyget kommer att förflytta sig om rekyl inträffar.** Rekylen kommer att kasta verktyget i motsatt riktning mot skivans rörelse vid klämpunkten.
- ◆ **Var speciellt försiktig när du bearbetar hörn, vassa kanter, etc. undvik att tillbehöret studsar och kör fast.** Hörn, vassa kanter eller studsande har en tendens att hugga tag i det roterande tillbehöret och orsaka kontrollförlust eller rekyl.

- ◆ **Montera inte en sågkedjeklinga för träsnideri eller en tandad sågklinga.** Sådana klingor ger ofta upphov till rekyl och förlust av kontroll.

Säkerhetsvarningar speciellt för slipnings- och kapningsarbeten:

- ◆ **Använd enbart de typer av skivor som är rekommenderade för ditt elverktyg och det skydd som är avsett speciellt för den valda skivan.** Skivor som elverktyget inte är konstruerat för kan inte skyddas ordentligt och är inte säkra.
- ◆ **Slipytan på slipskivor med intryckt centrum måste monteras under skyddsklackens nivå.** En felaktigt monterad skiva som sticker ut ovanför skyddsklackens nivå kan inte skyddas ordentligt.
- ◆ **Skyddet måste fästas säkert på elverktyget och placeras för maximal säkerhet, så att så litet som möjligt av skivan är exponerad mot användaren.** Skyddet bidrar till att skydda användaren från lösbrutna skivfragment, oavsiktlig kontakt med skivan och gnistor som kan antända kläderna.
- ◆ **Skivorna får bara användas för rekommenderade tillämpningar. Exempelvis: Slipa inte med sidan på en kapskiva.** Slipande kapskivor är avsedda för slipning med ytterkanten; om dessa skivor utsätts för sidokrafter kan de splittras.
- ◆ **Använd alltid oskadade skivflänsar som har korrekt storlek och form för din valda skiva.** Rätt skivflänsar stöder skivan och reducerar på så sätt risken att den går sönder. Flänsar för kapskivor kan vara annorlunda än flänsar för slipskivor
- ◆ **Använd inte nedslitna skivor från större elverktyg.** Skivor som är avsedda för större elverktyg lämpar sig inte för den högre hastigheten hos mindre verktyg och kan brytas sönder.

Ytterligare säkerhetsanvisningar som är specifika för kaping

- ◆ **Låt inte kapskivan "fastna" och tryck inte för hårt på verktyget. Försök inte skära för djupt.** Att belasta skivan för mycket ökar risken och sannolikheten för att skivan ska vridas eller kärva i snittet och möjligheten för rekyl eller att skivan går sönder.
- ◆ **Placera inte din kropp i linje med och bakom den roterande skivan.** När skivan, på arbetspunkten rör sig bort ifrån din kropp, kan en eventuell rekyl slunga den roterande skivan och elverktyget rakt mot dig.
- ◆ **När skivan kärvar fast eller när du avbryter ett snitt av någon orsak, stäng av elverktyget och håll elverktyget stilla tills skivan har stannat helt och hållet.** Försök aldrig ta bort skivan ur skärspåret medan skivan snurrar eftersom detta kan leda till kast. Undersök varför skivan har fastnat och avlägsna orsaken till detta.

- ◆ **Starta inte kapningen på nytt i arbetsstycket. Låt skivan nå full hastighet och återgå försiktigt till kapningen.** Skivan kan fastna, vandra upp eller rekylas om verktyget startas om i arbetsstycket.
- ◆ **Stöd plattor och stora arbetsstycken för att minimera risken för att skivan kläms fast eller rekylas.** Stora arbetsstycken tenderar att svikta under sin egen vikt. Stöd måste placeras under arbetsstycket nära kaplinjen och nära kanten på arbetsstycket på båda sidor av skivan.
- ◆ **Var speciellt försiktig när du skär in ett "urtag" i en existerande vägg eller andra dolda områden.** Det utstickande skivan kan skära in i vattenrör, elledningar eller objekt som kan orsaka en rekyl.

Säkerhetsanvisningar som är specifika för sandning

- ◆ **Använd inte ett alltför stor sliprondell. Följ tillverkarens rekommendationer när du väljer sandpapper.** Större sliprondeller som når utanför stödrondellen utgör en risk för rivsår, kan orsaka fastkörning och sönderslitning av skivan eller rekyl.

Speciella säkerhetsvarningar för poleringsarbeten

- ◆ **Låt inte någon lös del av polertrissan eller dess fastsättningsrådar snurra fritt. Stoppa undan eller klipp bort alla eventuella lösa fastsättningsband.** Lösa och roterande fastsättningsband kan trassla in sig i dina fingrar eller fastna i arbetsstycket.

Säkerhet för andra

- ◆ Detta verktyg får inte användas av personer (inklusive barn) med nedsatt fysisk eller mental förmåga eller bristande erfarenhet och kunskap, om de inte övervakas och får vägledning om användningen av apparaten av en person som ansvarar för deras säkerhet.
- ◆ Barn ska hållas under uppsikt så att de inte leker med apparaten.

Övriga risker.

Ytterligare risker som inte finns med i de bifogade säkerhetsanvisningarna kan uppstå när verktyget används. Dessa risker kan uppstå vid felaktig eller långvarig användning, etc. Även om alla relevanta säkerhetsanvisningar följs och säkerhetsanordningar används kan vissa ytterligare risker inte undvikas. Dessa omfattar:

- ◆ **Skador orsakade av att roterande/rörliga delar vidrörs.**
- ◆ **Skador som uppstår vid byte av delar, blad eller tillbehör.**
- ◆ **Skador som orsakas av långvarig användning av ett verktyg. Se till att regelbundet ta vilopausar när du använder ett verktyg under en längre period.**
- ◆ **Nedsatt hörsel.**

- ◆ **Hälsorisker till följd av inandning av damm när redskapet används (exempel: arbete med trämaterial, särskilt ek, bok och MDF).**

Vibrationer

De vibrationsvärden som anges i avsnitten Tekniska data och deklARATIONEN om överensstämmelse har uppmätts i enlighet med en standardtestmetod föreskriven i EN60745 och kan användas för jämförelse med andra verktyg. Det angivna vibrationsvärdet kan även användas för en preliminär bedömning av exponeringen.

Varning! Vibrationsvärdet under faktisk användning av elverktyget kan skilja sig från det uppgivna värdet beroende på hur verktyget används.

Vibrationsnivån kan överstiga den uppgivna nivån.

Vid uppskattningar av exponering för vibrationer i syfte att bedöma vilka säkerhetsåtgärder som är nödvändiga enligt 2002/44/EG för att skydda personer som regelbundet använder elverktyg i arbetet ska man utgå från de faktiska omständigheter under vilka elverktyget används och sättet på vilket det används. Bedömningen ska även ta hänsyn till alla moment i arbetscykeln, t.ex. när verktyget är avstängt och när det går på tomgång såväl som när det faktiskt används.

Etiketter på verktyget

Följande varningssymboler finns på verktyget, tillsammans med datumkoden:



Varning! Läs bruksanvisningen före användning för att minska risken för personskador.



Använd säkerhetsglasögon när du använder detta verktyg.



Använd hörselskydd när du använder detta verktyg.

Elsäkerhet



Detta verktyg är dubbelt isolerat; av den orsaken krävs ingen jordledning. Kontrollera alltid att spänningen på nätet motsvarar den spänning som finns angiven på märkplåten.

- ◆ Om nätsladden är skadad, måste den för att undvika risker, bytas ut av tillverkaren eller en auktoriserad BLACK+DECKER-verkstad.

Funktioner

Det här verktyget har några eller samtliga av följande funktioner:

1. Strömbrytare
2. Sidohandtag

3. Spindellås
4. Skydd

Montering

Varning! Se till att verktyget är avstängt och att det inte är anslutet innan monteringen börjar.

Montera och ta bort skyddet (Fig. A)

Verktyget är utrustat med ett skydd som bara är avsett för slipning. Om skärbeten ska utföras med enheten, måste ett speciellt skydd för detta slags arbete monteras. Ett skydd som lämpar sig för skärbeten har artikelnummer 1004702-27 och 1004702-28 för KG711/KG911 och de kan anskaffas på ett BLACK & DECKER servicecenter.

Montera och ta bort skyddet (fig. A) endast KG912

Verktyget är utrustat med ett skydd som bara är avsett för kapning. Om verktyget ska användas för slipning måste ett skydd som är speciellt avsett för detta monteras. Ett passande skydd för slipning har artikelnummer 1004702-36 och kan beställas från BLACK & DECKERs servicecenter.

Montering

- ◆ Placera vinkelslipen på bordet, med spindeln (5) vänd uppåt.
- ◆ Rikta in klackarna (8) mot spåren (9).
- ◆ Tryck ner skyddet (4) och vrid det till det erforderliga läget.
- ◆ Spänn skruven (6) ordentligt.
- ◆ Lossa på skruven för att avlägsna skyddet

Varning! Använd aldrig verktyget utan skyddet.

Montering av sidohandtaget

- ◆ Skruva in sidohandtaget (2) i ett av monteringshålerna på verktyget.

Varning! Använd alltid sidohandtaget.

Montera och ta bort slip- och kapskivor (Fig. B - D)

Använd alltid rätt typ av skiva för det aktuella arbetet. Använd alltid skivor med rätt diameter och hålstorlek (se tekniska data).

Montering

- ◆ Montera skyddet enligt beskrivningen ovan.
- ◆ Placera den inre flänsen (10) på spindeln (5) såsom bilden visar (Fig. B). Säkerställ att flänsen är korrekt placerad på de platta sidorna av spindeln.
- ◆ Placera skivan (11) på spindeln (5) såsom bilden visar (Fig. B). Om skivan har en upphöjd mittdel (12), se till att den är riktad mot den inre flänsen.
- ◆ Se till att skivan är korrekt placerad på den inre flänsen.

- ◆ Placera den yttre flänsen (13) på spindeln. När du monterar en slipskiva måste den upphöjda mittdelen på den yttre flänsen vara riktad mot skivan (A i Fig. C). När du monterar en kapskiva måste den upphöjda mittdelen på den yttre flänsen vara riktad bort från skivan (B i Fig. C).
- ◆ Håll spindellåset (3) intryckt och dra åt den yttre flänsen med tvåstiftsnycckeln (14) (Fig. D).

Demontering

- ◆ Håll spindellåset (3) intryckt och lossa den yttre flänsen (13) med tvåstiftsnycckeln (14) (Fig. D).
- ◆ Ta bort den yttre flänsen (13) och skivan (11).

Montera och demontera sliprondeller (Fig. D & E)

För sandslipning krävs en stödrondell. Stödrondellen finns tillgänglig som tillbehör hos din BLACK+DECKER återförsäljare.

Montering

- ◆ Placera den inre flänsen (10) på spindeln (5) såsom bilden visar (Fig. E). Säkerställ att flänsen är korrekt placerad på de platta sidorna av spindeln.
- ◆ Placera stödrondellen (15) på spindeln.
- ◆ Placera sliprondellen (16) på stödrondellen.
- ◆ Placera den yttre flänsen (13) på spindeln med den upphöjda mittdelen riktad bort från rondellen.
- ◆ Håll spindellåset (3) intryckt och dra åt den yttre flänsen med tvåstiftsnycckeln (14) (Fig. D). Säkerställ att den yttre flänsen är korrekt placerad och att rondellen är ordentligt fastspänd.

Demontering

- ◆ Håll spindellåset (3) intryckt och lossa den yttre flänsen (13) med tvåstiftsnycckeln (14) (Fig. D).
- ◆ Ta bort den yttre flänsen (13), sliprondellen (16) och stödrondellen (15).

Användning

Varning! Låt redskapet arbeta i sin egen takt. Överbelasta inte.

- ◆ Var noggrann med att hålla undan kabeln, så att du inte skär av den i misstag.
- ◆ Var beredd på ett gnistregn när slip- eller kapskivan vidrör arbetsstycket.
- ◆ Placera alltid verktyget så att skyddet för slip- eller kapskivan blir optimalt.

Slå på och av

- ◆ Slå på maskinen genom att trycka till/från brytaren (1) framåt. Observera att verktyget fortsätter att gå när du släpper knappen.
- ◆ Stäng av verktyget genom att trycka på den bakre delen av till/från brytaren.

Varning! Starta inte och stäng inte av verktyget när det är belastat.

Mjukstartsfunktion

Mjukstartsfunktionen möjliggör en acceleration från låg hastighet för att undvika ett ryck vid starten. Denna egenskap är särskilt användbar vid arbete i trånga utrymmen.

Strömavbrott

Strömavbrott-funktionen förhindrar att vinkelslipen startar om trots att omkopplaren inte har återställts efter ett avbrott i strömförsörjningen.

Tips för optimal användning

- ◆ Håll verktyget stadigt med en hand runt sidohandtaget och den andra handen runt huvudhandtaget.
- ◆ När du slipar ska du alltid ha skivan vinklad cirka 15° mot arbetsstyckets yta.

Underhåll

Det här BLACK+DECKER-redskapet (med eller utan sladd) är konstruerat för att fungera under lång tid med minsta möjliga underhåll. Kontinuerlig tillfredsställande drift beror på ordentlig verktygsvård och regelbunden rengöring.

Varning! Innan något underhåll utförs på sladdanslutna/sladdlösa elverktyg:

- ◆ Stäng av apparaten/verktyget och dra ur nätkontakten.
- ◆ Eller avlägsna batteriet ur apparaten/verktyget om det har ett separat batteripaket.
- ◆ Eller töm batteriet fullständigt om det är integrerat och stäng sedan av maskinen.
- ◆ Dra ut laddaren ur uttaget innan den rengörs. Laddaren behöver inget annat underhåll än regelbunden rengöring.
- ◆ Rengör regelbundet apparatens/verktygets/laddarens ventilationsöppningar med en mjuk borste eller torr trasa.
- ◆ Rengör motorhöljet regelbundet med en fuktig trasa. Använd aldrig rengöringsmedel med lösnings- eller slipmedel.
- ◆ Öppna chocken (där sådan finns) med jämna mellanrum och knacka på den för att avlägsna damm som sitter på insidan.

Skydda miljön



Separat insamling Produkter och batterier som är märkta med denna symbol får inte bortskaffas med de normala hushållssoporna.

Produkter och batterier innehåller material som kan återanvändas eller återvinnas för att minska behovet av råmaterial. Återvinn elektriska produkter och batterier enligt lokala bestämmelser.

Tekniska data

		KG711 (Typ 1)
Ingångsspänning	V _{AC}	230
Ingångseffekt	W	750
Klassad hastighet	min ⁻¹	12 000
Skivdiameter	mm	115
Skivhåll	mm	22
Maximal skivtjocklek		
Slipskivor	mm	6
Kapskivor	mm	3,5
Spindelstorlek		M14
Vikt	kg	2

		KG911-KG912-KG752 (Typ 1)
Ingångsspänning	V _{AC}	230
Ineffekt	W	KG911, KG912 = 900W KG752 = 800W
Klassad hastighet	min ⁻¹	12 000
Skivdiameter	mm	KG711, KG911 = 115 KG912, KG752 = 125
Skivhåll	mm	22
Maximal skivtjocklek		
Slipskivor	mm	6
Kapskivor	mm	3,5
Spindelstorlek		M14
Vikt	kg	KG711, KG911, KG752 = 2,1 KG912 = 2,2

KG711, KG911, KG912	
L_{pA} (ljudtryck)	92,6 dB(A), osäkerhet (K) 3 dB(A)
L_{WA} (ljudeffekt)	103,6 dB(A), osäkerhet (K) 3 dB(A)
Totala vibrationsvärden (vektorsumman av tre axlar) enligt EN60745:	
Slipning ($a_{h,SG}$)	9,9 m/s ² , osäkerhet (K) 1,5 m/s ²
Kapning (a_h)	4,6 m/s ² , osäkerhet (K) 1,5 m/s ²
Polering ($a_{h,P}$)	4,5 m/s ² , osäkerhet (K) 1,5 m/s ²
Slipredell ($a_{h,DS}$)	9,6 m/s ² , osäkerhet (K) 1,5 m/s ²

KG752
L_{pA} (ljudtryck) 94,5 dB(A), osäkerhet (K) 3 dB(A)
L_{wA} (ljudeffekt) 105,5 dB(A), osäkerhet (K) 3 dB(A)
Totala vibrationsvärden (vektorsumman av tre axlar) enligt EN60745:
Slipning ($a_{h,SG}$) 9,9 m/s ² , osäkerhet (K) 1,5 m/s ²
Kapning ($a_{h,P}$) 9,1 m/s ² , osäkerhet (K) 1,5 m/s ²
Polering ($a_{h,P}$) 5,0 m/s ² , osäkerhet (K) 1,5 m/s ²
Slipprondell ($a_{h,DS}$) 3,3 m/s ² , osäkerhet (K) 1,5 m/s ²

EG Försäkran om överensstämmelse MASKINDIREKTIVET



KG711, KG911, KG912, KG752 Vinkelslipar
Black & Decker deklarerar att dessa produkter, beskrivna
under "tekniska specifikationer" uppfyller:
2006/42/EC, EN60745-1:2009 +A11:2010;
EN60745-2-3:2011 +A2:2013 +A11:2014 +A12:2014

De här produkterna överensstämmer även med direktiven
2004/108/EG (till 2016.04.19) 2014/30/EU (från 2016.04.20)
och 2011/65/EU. För mer information, var god kontakta Black
& Decker på följande adress, eller se handbokens baksida.

Undertecknad är ansvarig för sammanställningen av tekniska
data och gör denna försäkran för Black & Decker.

Director of Engineering
Black & Decker Europe, 210 Bath Road, Slough,
Berkshire, SL1 3YD, Storbritannien
18.11.2015

Garanti

Black & Decker är säker på kvaliteten hos denna produkt och erbjuder kunder 24 månaders garanti från inköpsdatumet. Garantin gäller utöver konsumentens rättigheter enligt lag och påverkar inte dessa. Garantin är giltig i de territorier som tillhör medlemsstaterna i Europeiska unionen och det europeiska frihandelsområdet. För yrkande under garantin måste yrkandet vara i enlighet med Black&Deckers villkor och du kommer att behöva skicka in bevis på köpet till försäljaren eller en auktoriserad reparatör.

Villkoren för Black&Deckers tvååriga garanti och var du hittar din närmaste auktoriserade reparatör kan erhållas på internet på www.2helpU.com, eller genom att kontakta ditt lokala Black & Decker kontor på adressen som angetts i denna bruksanvisning.

Besök vår webbplats www.blackanddecker.se för att registrera din nya Black & Decker-produkt samt för att få information om nya produkter och specialerbjudanden.

Tiltenkt bruk

BLACK+DECKER KG711, KG911, KG912, KG752 vinkelsli-
pere er designet for sliping og kapping av metall og murverk
ved hjelp av passende slipe- eller kappeskiver. Ved påmontert
passende beskyttelse er dette apparatet kun ment for privat
bruk.

Sikkerhetsinstruksjoner

Generelle sikkerhetsadvarsler for elektroverktøy



Advarsel! Les alle sikkerhetsadvarsler og alle instruksjoner. Hvis advarslene og anvisningene nedenfor ikke overholdes, kan det medføre elektrisk støt, brann og/eller alvorlige personskader.

Ta vare på alle advarsler og instruksjoner for fremtidig bruk. Uttrykket "elektroverktøy" i alle advarslene nedenfor gjelder for strømdrevne elektroverktøy (med ledning) og batteridrevne elektroverktøy (uten ledning).

1. Sikkerhet i arbeidsområdet

- Hold arbeidsområdet rent og godt opplyst.** Rotete eller mørke områder er en invitasjon til ulykker.
- Ikke arbeid med elektroverktøy i eksplosjonsfarlige omgivelser, for eksempel der det befinner seg brennbare væsker, gass eller støv.** Elektrisk verktøy skaper gnister som kan antenne støv eller gasser.
- Hold barn og andre personer unna når du bruker et elektroverktøy.** Distraksjoner kan føre til at du mister kontrollen.

2. Elektrisk sikkerhet

- Støpselet til verktøyet må passe til stikkkontakten. Aldri modifier støpselet på noen måte. Ikke bruk adapterstøpsler til jordede elektriske verktøy.** Umodifiserte støpsler og stikkontakter som passer vil redusere risikoen for elektrisk sjokk.
- Unngå kroppskontakt med jordede overflater som rør, radiatorer, komfyrer og kjøleskap.** Det er økt risiko for elektrisk støt dersom kroppen din er jordat.
- Ikke utsett elektroverktøy for regn eller fuktighet.** Dersom det kommer vann inn i et elektrisk verktøy vil det øke risikoen for elektrisk sjokk.
- Unngå uforsvarlig behandling av ledningen. Aldri bruk ledningen til å bære, trekke eller dra ut støpselet til det elektriske verktøyet. Hold ledningen borte fra varme, olje, skarpe kanter eller bevegelige deler.** Skadede eller innviklede ledninger øker risikoen for elektrisk sjokk.

- Når du bruker et elektroverktøy utendørs, må du bruke en skjøteledning som er egnet til utendørs bruk.** Bruk av en skjøteledning beregnet for utendørs bruk reduserer risikoen for elektrisk støt.
- Hvis du ikke kan unngå å bruke elektroverktøy på et fuktig sted, må du bruke en strømforsyning som er beskyttet med jordfeilbryter.** Bruk av jordfeilbryter (RCD) reduserer risikoen for elektrisk sjokk.

3. Personikkerhet

- Vær oppmerksom, pass på hva du gjør, og vis fornuft når du arbeider med et elektroverktøy. Ikke bruk et elektrisk verktøy dersom du er trøtt eller er påvirket av medikamenter, narkotika eller alkohol.** Ett øyeblikks uoppmerksomhet under bruk av elektriske verktøy kan føre til alvorlig personskade.
 - Bruk personlig verneutstyr. Bruk alltid vernebriller.** Verneutstyr slik som støvmaske, skliskre vernesko, hjelm, eller hørselsvern brukt under passende forhold vil redusere personskader.
 - Forhindre utilsiktet start. Kontroller at bryteren står i posisjon "av" før du kobler til strømkilden og/eller batteripakken, og før du tar opp eller bærer verktøyet.** Å bære elektriske verktøy med fingeren på bryteren eller å sette inn støpselet mens elektriske verktøy har bryteren på øker faren for ulykker.
 - Fjern eventuelt innstillingsverktøy eller skruverktøy før du slår på elektroverktøyet.** Et skruverktøy eller en nøkkel som fortsatt er festet til en roterende del av elektroverktøyet, kan føre til personskade.
 - Ikke strekk deg for langt. Ha godt fotfeste og stå støtt hele tiden.** Dette fører til at du har bedre kontroll over det elektriske verktøyet ved uventede situasjoner.
 - Bruk egnede klær. Ikke ha på deg løstsittende klær eller smykker. Hold hår, antrekk og hansker borte fra bevegelige deler.** Løstsittende klær, smykker og langt hår kan bli fanget opp av bevegelige deler.
 - Hvis det kan monteres støvavsug- og oppsamlingsinnretninger, må du forvisse deg om at disse er tilkoblet og brukes på riktig måte.** Bruk av støvoppsamlere kan redusere støvrelaterte farer.
- #### 4. Bruk og behandling av elektroverktøy
- Ikke bruk makt på elektroverktøyet. Bruk det elektriske verktøyet som situasjonen krever.** Det riktige elektriske verktøyet vil gjøre jobben bedre og tryggere ved den hastigheten det ble konstruert for.
 - Ikke bruk elektroverktøyet hvis du ikke kan slå det på og av med bryteren.** Ethvert elektrisk verktøy som ikke kan kontrolleres med bryteren er farlig og må repareres.
 - Trekk støpselet ut av stikkkontakten og/eller koble fra batteripakken på elektroverktøyet før du utfører**

innstillinger, bytter tilbehør eller legger

elektroverktøyet bort. Slike preventive sikkerhetsforanstaltninger reduserer risikoen for å starte det elektriske verktøyet ved et uhell.

- d. **Elektroverktøy som ikke er i bruk, må oppbevares utilgjengelig for barn. Ikke la verktøyet bli brukt av personer som ikke er fortrolige med det, eller som ikke kjenner disse instruksjonene.** Elektriske verktøy er farlige i hendene på utrenede brukere.
- e. **Sørg for vedlikehold av elektroverktøy. Undersøk om bevegelige deler er feiljustert eller blokkert, om deler er skadet, og om det er andre forhold som kan påvirke elektroverktøyet funksjon. Dersom det er skadet, få verktøyet reparert før neste bruk.** Mange ulykker forårsakes av dårlig vedlikeholdte verktøy.
- f. **Hold skjæreverktøy skarpe og rene.** Godt vedlikeholdte skjæreverktøy med skarpe skjærekanten setter seg mindre sannsynlig fast og er lettere å kontrollere.
- g. **Bruk elektroverktøy, tilbehør, bor osv. i henhold til disse instruksjonene. Ta hensyn til arbeidsforholdene og arbeidet som skal utføres.** Bruk av det elektriske verktøyet for oppgaver som er forskjellige fra de som er tiltenkt kan føre til en farlig situasjon.

5. Service

- a. **Elektroverktøy skal repareres av kvalifisert personell og bare med originale reservedeler.** Dette vil sikre at verktøyet sikkerhet blir ivarettatt.

Ytterligere sikkerhetsadvarsler for elektroverktøy



Advarsel! Ekstra sikkerhetsvarsler for sliping, sandpapirpussing, polering eller kapping

- ◆ Dette elektriske verktøyet er ment til bruk som slipemaskin, stålborste eller kutteverktøy. Les alle sikkerhetsanvisninger, instruksjoner, illustrasjoner og spesifikasjoner som følger dette elektriske verktøyet. Manglende overholdelse av instruksjonene som er listet opp under kan resultere i elektroshokk, ild og/eller alvorlig skade.
- ◆ Dersom elektroverktøyet brukes til andre oppgaver enn det er tiltenkt, kan det føre til fare og forårsake personskade.
- ◆ Ikke bruk tilbehør som ikke er spesifikt konstruert og anbefalt fra produsenten av verktøyet. Selv om tilbehøret kan kobles til elektroverktøyet, sikrer ikke dette trygg drift.
- ◆ Merket hastighet på tilbehøret må være minst lik maksimal hastighet som er angitt på elektroverktøyet. Tilbehør som går fortere enn merkehastigheten sin, kan bli ødelagt og fly i stykker
- ◆ **Utvendig diameter og tykkelse på tilbehøret må være innenfor nominell kapasitet for elektroverktøyet.** Tilbehør av feil størrelse kan ikke sikres og kontrolleres tilstrekkelig.
- ◆ **Gjenget feste på tilbehør må passe til slipemaskinens gjenger.** For tilbehør montert på flens, må senterhullet på tilbehøret passe til diameteren på flensen. Tilbehør som ikke passer monteringsdelene på elektroverktøyet, vil rotere eksentrisk, vibrere for mye og kan føre til at du mister kontrollen.
- ◆ **Ikke bruk skadet tilbehør.** Før hver bruk må du inspisere tilbehøret, som slipeskiver, for hakk og sprekker, festeplatene må inspiseres for sprekker, rifter eller slitasje. Dersom elektroverktøyet eller tilbehøret slippes ved et uhell, må du kontrollere om det er skadet eller montere uskadet tilbehør. Etter å ha inspisert og installert et tilbehør, still deg selv og eventuelle tilstedeværende bort fra planet for det roterende tilbehøret og kjør elektroverktøyet på maksimal, ubelastet hastighet i ett minutt. Skadet tilbehør vil normalt rives i stykker under denne testen.
- ◆ **Bruk personlig verneutstyr.** Avhengig av bruksområdet må du bruke ansiktsvern eller vernebriller. Bruk støvmaske, hørselvern, hansker og verkstedforkle som kan stoppe små slipefragmenter eller deler fra arbeidsstykket. Øyebeskyttelsen må kunne stoppe flygende biter som kan løsne fra arbeidsstykket. Støvmasken eller åndedrettsvernet må kunne filtrere partikler som oppstår under arbeid. Langvarig eksponering for høyintensiv støy kan føre til hørselstap.
- ◆ **Hold tilstedeværende på trygg avstand fra arbeidsområdet.** Personer som går inn i arbeidsområdet, må bruke personlig verneutstyr. Fragmenter fra arbeidsstykket eller ødelagt tilbehør kan fly av gårde, og kan føre til skader langt ut over det umiddelbare arbeidsområdet.
- ◆ **Hold det elektriske verktøyet kun i isolerte gripeoverflater når du utfører operasjoner hvor kutteutstyret kan komme i kontakt med skjulte ledninger eller egen ledning.** Kapping av en strømførende ledning kan føre til at eksponerte metalldele på elektroverktøyet blir strømførende, og kan gi operatøren støt.
- ◆ **Plasser ledningen slik at den ikke kommer i kontakt med roterende tilbehør.** Hvis du mister kontrollen, kan ledningen bli kuttet av eller henge seg fast, og hånden eller armen din kan bli dratt inn i det roterende tilbehøret.
- ◆ **Ikke legg elektroverktøyet fra deg før tilbehøret har stanset helt.** Det roterende tilbehøret kan ta tak i overflaten og trekke elektroverktøyet ut av kontrollen din.
- ◆ **Ikke la elektroverktøyet gå mens du bærer det langs siden din.** Utisiktet kontakt med det roterende tilbehøret kan føre til at det kjører seg fast i klærne dine og trekker tilbehøret inn i kroppen din.

- ◆ **Luftåpningene på elektroverktøyet må rengjøres regelmessig.** Motorviften vil trekke støvet inn i kabinettet, og overskytende oppsamling av forstøvet metall kan føre til elektriske farlige situasjoner.
- ◆ **Ikke bruk elektroverktøyet i nærheten av antenner og andre elektriske materialer.** Gnister kan antenne dette materialet.
- ◆ **Ikke bruk tilbehør som krever flytende kjølemidler.** Bruk av vann eller andre flytende kjølemidler kan føre til elektrisk støt eller sjokk.

Merk: Advarselen over gjelder ikke elektriske verktøy som er spesielt designet for bruk med væsker.

Advarsler om tilbakeslag og lignende

Tilbakeslag er en plutselig reaksjon på et fastklemt eller fastkjørt roterende skive, støttetallerken, børste eller annet tilbehør. Fastklemming eller fastkjøring forårsaker at det roterende tilbehøret stopper raskt, hvilket i sin tur forårsaker at det ukontrollerbare elektroverket slynges i motsatt retning i forhold rotasjonsretningen på tilbehøret.

For eksempel, hvis en slipeskive kjøres fast eller klemmes fast i arbeidsstykket, kan kanten av den skiven som går inn i klempunktet grave seg inn i overflaten på materialet og føre til at skiven hopper ut eller kastes ut. Skiven kan enten hoppe mot eller bort fra brukeren, avhengig av hvilken vei skiven roterer da den klemte seg fast. Slipeskiver kan også bli ødelagt under slike forhold.

Tilbakeslag er resultatet av feil bruk av verktøyet og/eller feil driftsprosedyrer eller betingelser, og kan unngås ved å treffe skikkelige forholdsregler, som angitt nedenfor.

- ◆ **Sørg for et godt grep på elektroverktøyet, og plasser kroppen og armene slik at du kan stå imot tilbakeslagskrefter.** Bruk alltid hjelpehåndtaket, dersom montert, for maksimal kontroll på tilbakeslag eller momentreaksjon under oppstart. Brukeren kan kontrollere momentreaksjonen eller tilbakeslagskreftene hvis det er tatt tilstrekkelige forholdsregler.
- ◆ **Plasser aldri hånden i nærheten av det roterende tilbehøret.** Tilbehøret kan slå tilbake over hånden.
- ◆ **Ikke plasser kroppen i det området elektroverktøyet vil bevege seg hvis det oppstår tilbakeslag.** Et tilbakeslag vil drive fram verktøyet i motsatt retning av skivens rotasjonsretning i det punktet det den kjørte seg fast.
- ◆ **Vær spesielt forsiktig ved arbeid i hjørner, ved skarpe kanter osv. Unngå at tilbehøret hopper eller kjører seg fast.** Hjørner, skarpe kanter eller hopping har en tendens til å kjøre fast det roterende tilbehøret og føre til tilbakeslag eller at du mister kontrollen.
- ◆ **Ikke bruk sagkjedeblad eller et tannet sagblad.** Slike blad fører ofte til tilbakeslag og at du mister kontrollen.

Spesifikke sikkerhetsadvarsler for sliping og kappeoperasjoner:

- ◆ **Bruk kun skivetyper som anbefales for ditt elektroverktøy og den spesifiserte verneanordningen for den valgte skiven.** Skiver som elektroverktøyet ikke ble laget for, er ikke tilstrekkelig beskyttet og er farlige.
- ◆ **Slipeflaten på hjul med senterforsenkning må monteres under planet på beskyttelseskanten.** Feilmontert hjul som går utenfor planet på beskyttelseskanten kan ikke beskyttes tilstrekkelig.
- ◆ **Beskyttelsen må festes forsvarlig til elektroverktøyet og stilles inn for maksimale sikkerhet, slik at minst mulig av skiven eksponeres mot brukeren.** Beskyttelsen verner brukeren mot fragmenter fra ødelagte skiver, utilsiktet kontakt med skiven og gnister som kan antenne tøyet.
- ◆ **Skiver må kun brukes for anbefalte operasjoner. For eksempel: ikke slip med siden av kappeskiven.** Slipende kappeskiver er laget for kantsliping, dersom det brukes sidekrefter på disse skivene kan det få dem til å knuses.
- ◆ **Bruk alltid uskadede skiveflenser av korrekt størrelse og form for den valgte skiven.** Riktige skiveflenser støtter skiven og reduserer på den måten muligheten for at skiven ødelegges. Flenser for kappeskiver kan være annerledes enn flenser for slipeskiver.
- ◆ **Ikke bruk nedslitte skiver fra større elektroverktøy.** Skiver beregnet på større elektroverktøy er ikke egnet for den høyere hastigheten til et mindre verktøy og kan ødelegges.

Ytterligere spesielle sikkerhetsadvarsler for slipekuttingsoppgaver

- ◆ **Ikke kjør fast kutteskiven, og ikke bruk makt. Ikke forsøk å kutte for dypt.** Hvis skiven overbelastes, kan det øke kreftene og tendensen til å vri eller sette fast skiven i kuttet og øke muligheten for tilbakeslag eller at skiven går i stykker.
- ◆ **Ikke plasser kroppen på linje med og bak den roterende skiven.** Når skiven, i arbeidspunktet, beveger seg bort fra kroppen din, kan et mulig tilbakeslag sende den roterende skiven og elektroverktøyet direkte mot deg.
- ◆ **Når skiven setter seg fast, eller du avbryter et kutt av én eller annen grunn, må du slå av elektroverktøyet og holde det uten å bevege det til skiven stanser helt. Forsøk aldri å fjerne kappeskiven fra kuttet mens skiven beveger seg ellers kan det oppstå tilbakeslag.** Undersøk og sørg for å fjerne årsakene til fastklemming av bladet.
- ◆ **Ikke start kutteoperasjonen på nytt i arbeidsstykket. La skiven nå full hastighet og gå forsiktig tilbake i kuttet.** Skiven kan komme til å sette seg fast, bevege seg

framover eller slå tilbake dersom den startes opp igjen i arbeidsstykket.

- ◆ **Støtt plater eller andre store arbeidsstykker for å minimere risikoen for klemming av skiven og tilbake-slag.** Store arbeidsstykker har en tendens til å henge ned under sin egen vekt. Det må plasseres støtter under arbeidsstykket på begge sider av skiven, nær kuttelinjen og nær kanten av panelet.
- ◆ **Vær ekstra varsom når du kutter en "lomme" i eksisterende vegger eller andre steder du ikke ser.** Skiven stikker ut og kan komme til å kappe gass- eller vannrør, elektriske ledninger eller gjenstander som kan føre til tilbakeslag.

Spesielle sikkerhetsadvarsler for pussing

- ◆ **Ikke bruk for store sandpapisriver. Følg produsentens anbefalinger når du velger sandpapir.** Sandpapir som er større enn pusseskiven, kan føre til opprivningsfare, og tilbakeslag eller at skiven kjører seg fast eller flenges opp.

Spesielle sikkerhetsadvarsler for polering

- ◆ **Ikke la noen løse deler av poleringsheten eller festesnoren snurre fritt. Gjem eller kutt av løse tilbehørsstrenger.** Løse og roterende tilbehørsstrenger kan snurre seg rundt fingrene dine eller kjøre seg fast i arbeidsstykket.

Andre personers sikkerhet

- ◆ Det er ikke meningen at dette verktøyet skal brukes av personer (inkludert barn) med reduserte fysiske, sansemessige eller mentale evner, eller som mangler erfaring og kunnskap, med mindre de har fått oppfølging eller instruksjon når det gjelder bruken av apparatet, fra en person som er ansvarlig for deres sikkerhet.
- ◆ Barn må holdes under oppsyn, sørg for at de ikke leker med apparatet.

Andrerisikoer.

Når verktøyet brukes, kan det oppstå ytterligere risikoer som kanskje ikke er beskrevet i de medfølgende sikkerhetsadvarslene. Disse risikoene kan bli forårsaket av feil bruk, langvarig bruk osv.

Selv om de relevante sikkerhetsbestemmelsene blir fulgt, og sikkerhetstiltakene blir gjennomført, kan visse gjenværende risikoer ikke unngås. Disse inkluderer:

- ◆ **Personskader som forårsakes av berøring av en roterende/bevegelig del.**
- ◆ **Personskader som forårsakes av at en del, et blad eller tilbehør endres.**
- ◆ **Personskader som skyldes for lang tids bruk av verktøyet.** Når du bruker et verktøy i lange perioder, må du sørge for å ta regelmessige pauser.

- ◆ **Hørselskader.**
- ◆ **Helsefarer som forårsakes av innånding av støv som dannes når du bruker verktøyet (eksempel: arbeid med tre, spesielt eik, bøk og MDF.)**

Vibrasjon

Vibrasjonsemisjonsverdien som er angitt under tekniske data og samsvarserklæring, er blitt målt i henhold til en standard testmetode som er angitt i EN60745, og kan brukes til å sammenligne et verktøy med et annet. Den oppgitte vibrasjonsemisjonsverdien kan også brukes til en foreløpig vurdering av eksponering.

Advarsel! Vibrasjonsemisjonsverdien under faktisk bruk av elektroverktøyet kan avvike fra den oppgitte verdien avhengig av måten verktøyet blir brukt på.

Vibrasjonsnivået kan øke over nivået som er oppgitt. Når det vurderes vibrasjonseksponering for å avgjøre hvilke sikkerhetstiltak som kreves ifølge 2002/44/EF, for å beskytte personer som bruker elektroverktøy regelmessig til arbeidsformål, skal det, når vibrasjonseksponeringen anslås, tas hensyn til de faktiske bruksforholdene og måten verktøyet blir brukt på. Dette inkluderer å ta hensyn til alle deler av brukssyklusen, for eksempel når verktøyet er avslått, når det går på tomgang og når utløseren er trykket inn.

Etiketter på verktøyet

Følgende symboler vises på verktøyet sammen med datokoden:



Advarsel! Brukeren må lese håndboken for å redusere risikoen for personskade.



Benytt vernebriller når du bruker dette verktøyet.



Benytt hørselvern når du bruker dette verktøyet.

Elektrisk sikkerhet



Dette verktøyet er dobbeltisolert. Jording er derfor ikke nødvendig. Kontroller alltid at strømforsyningen samsvarer med spenningen på merkeskiltet.

- ◆ Hvis strømledningen blir skadet, må den byttes av produsenten eller et autorisert BLACK+DECKER-service-senter for å unngå fare.

Funksjoner

Dette verktøyet har noen av eller alle følgende egenskaper.

1. På-/av-bryter
2. Sidehåndtak
3. Spindellås
4. Beskyttelse

Montering

Advarsel! Før monteringen må du passe på at verktøyet er slått av, og at støpselet er trukket ut.

Montere og demontere vernet (figur A)

Verktøyet leveres med et vern som er beregnet bare for slipeoppgaver. Hvis hensikten er å bruke verktøyet til kutting, må det monteres et vern som er utformet spesielt for denne bruken. Et passende vern for kutteoppgaver med delenummer 1004702-27 og 1004702-28 for KG711/KG911 og KG912/KG752 er tilgjengelig og kan leveres fra BLACK+DECKERs servicesentere.

Montere og demontere vernet (figur A) bare KG912

Verktøyet leveres med et vern som er beregnet bare for kutteoppgaver. Hvis hensikten er å bruke verktøyet til sliping, må det monteres et vern som er utformet spesielt for denne bruken. Et passende vern for sliping, med delenummer 1004702-36, er tilgjengelig og kan fås hos BLACK & DECKER-servicesentre.

Montering

- ◆ Plasser vinkelsliperen på et bord med spindelen (5) opp.
- ◆ Plasser tappene (8) i forhold til hakkene (9).
- ◆ Press ned verneanordningen (4) og roter den til ønsket stilling.
- ◆ Stram skruen (6) forsvarlig.
- ◆ For å fjerne verneanordningen, løsne skruen

Advarsel! Bruk aldri verktøyet uten beskyttelsesskjermen.

Montere sidehåndtaket

- ◆ Skru sidehåndtaket (2) inn i et av monteringshullene i verktøyet.

Advarsel! Bruk alltid sidehåndtaket.

Montere og demontere slipe- eller kutteskiver (figur B–D)

Bruk alltid riktig type skive for anvendelsen. Bruk alltid skiver med riktig diameter og hulldimensjon (se tekniske data).

Montering

- ◆ Monter beskyttelsesskjermen som beskrevet ovenfor.
- ◆ Sett den indre flensen (10) på spindelen (5) som vist (figur B). Pass på at flensen er riktig plassert på de flate sidene av spindelen.
- ◆ Sett skiven (11) på spindelen (5) som vist (figur B). Hvis skiven er opphøyd på midten (12), må du passe på at den opphøyde midtdelen er vendt mot den indre flensen.
- ◆ Pass på at skiven plasseres korrekt på den indre flensen.
- ◆ Plasser den ytre flensen (13) på spindelen. Når du monterer en slipeskive, skal den opphøyde midtdelen på

den ytre flensen vende mot skiven (A i figur C). Når du monterer en kutteskive, skal den opphøyde midtdelen på den ytre flensen vende bort fra skiven (B i figur C).

- ◆ Hold spindellåsen (3) nedklemt, og stram den ytre flensen med nøkkelen (14) med to tapper (figur D).

Demontering

- ◆ Hold spindellåsen (3) nedklemt, og løsne den ytre flensen (13) med nøkkelen (14) med to tapper (figur D).
- ◆ Fjern den ytre flensen (13) og skiven (11).

Sette på og ta av sandpapirskiver (figur D og E)

Ved pussing kreves en underlagsskive. Underlagsskiven er tilgjengelig hos BLACK+DECKER forhandleren som tilbehør.

Montering

- ◆ Sett den indre flensen (10) på spindelen (5) som vist (figur E). Pass på at flensen er riktig plassert på de flate sidene av spindelen.
- ◆ Plasser underlagsskiven (15) på spindelen.
- ◆ Plasser sandpapirskiven (16) på underlagsskiven.
- ◆ Plasser den ytre flensen (13) på spindelen med den opphøyde midtdelen vendt bort fra skiven.
- ◆ Hold spindellåsen (3) nedklemt, og stram den ytre flensen med nøkkelen (14) med to tapper (figur D). Pass på at den ytre flensen er riktig montert, og at skiven er klemt godt fast.

Demontering

- ◆ Hold spindellåsen (3) nedklemt, og løsne den ytre flensen (13) med nøkkelen (14) med to tapper (figur D).
- ◆ Fjern den ytre flensen (13), sandpapirskiven (16) og underlagsskiven (15).

Bruk

Advarsel! La verktøyet arbeide i sin egen hastighet. Må ikke overbelastes.

- ◆ Før ledningen med varsomhet for å unngå å kutte den ved et uhell.
- ◆ Vær forberedt på en strøm av gnister når slipe- eller kappeskibven berører arbeidsstykket.
- ◆ Plasser alltid verktøyet slik at vernet gir maksimal beskyttelse mot slipe- eller kappeskiven.

Slå av og på

- ◆ Når du skal slå på, skyver du på/av-bryteren (1) fremover. Vær oppmerksom på at verktøyet fortsetter å gå når du slipper bryteren.
- ◆ Når du vil slå av, trykker du på den bakre delen av på/av-bryteren.

Advarsel! Ikke slå verktøyet av mens det er belastet.

Myk oppstart

Myk oppstart gir en sakte oppbygging av hastighet for å unngå et plutselig kast ved oppstart. Denne egenskapen er spesielt nyttig ved arbeid i trange rom.

No-Volt

"No-volt" (spenningsløs) funksjonen hindrer vinkelsliperen fra å starte igjen uten først å bruke bryteren dersom det var brudd i strømforsyningen.

Råd for optimal bruk

- ◆ Hold verktøyet fast med den ene hånden rundt sidehåndtaket og den andre hånden rundt hovedhåndtaket.
- ◆ Når du sliper, må du alltid opprettholde en vinkel på ca. 15° mellom skiven og arbeidsstykkets overflate.

Vedlikehold

BLACK+DECKER-apparatet/-verktøyet med ledning/batteri er laget for å brukes over lang tid med et minimum av vedlikehold. For at den skal fungere tilfredsstillende over tid, er det viktig å sørge for riktig stell av verktøyet og regelmessig renhold.

Advarsel! Før du utfører vedlikehold på elektriskdrevet/batteridrevet elektroverktøy:

- ◆ Slå av apparatet/verktøyet og trekk ut støpselet.
- ◆ Eller slå av apparatet/verktøyet og fjern batteriet fra dette hvis apparatet/verktøyet har separat batteripakke.
- ◆ Eller la batteriet gå helt tomt hvis det er innebygd, og slå deretter av.
- ◆ Trekk ut laderen fra stikkkontakten før du rengjør den. Laderen krever ikke annet vedlikehold enn regelmessig rengjøring.
- ◆ Rengjør ventilasjonsåpningene i apparatet/verktøyet/laderen jevnlig med en myk børste eller tørr klut.
- ◆ Rengjør motorhuset regelmessig med en fuktig klut. Ikke bruk slipende eller løsemiddelbaserte rengjøringsmidler.
- ◆ Åpne borelåsen regelmessig, og bank på den for å fjerne eventuelt støv fra innsiden (hvis det er aktuelt).

Miljøvern



Separat avfallshåndtering. Produkter og batterier merket med dette symbolet skal ikke kastes i vanlig husholdningsavfall.

Produkter og batterier inneholder materialer som kan gjenbrukes eller gjenvinnes for å redusere behovet for nye råmaterialer. Vennligst lever elektrisk utstyr og batterier til gjenbruk i henhold til lokale regler.

Tekniske data

		KG711 (Type 1)
Inngangsspenning	V_{AC}	230
Inngangseffekt	W	750
Merkehastighet	min^{-1}	12 000
Skivediameter	mm	115
Skivehulldimensjon	mm	22
Maks. skivetykkelse		
slipeskiver	mm	6
kappeskiver	mm	3,5
Spindelstørrelse		M14
Vekt	kg	2

		KG911-KG912-KG752 (Type 1)
Inngangsspenning	V_{AC}	230
Inngangseffekt	W	KG911, KG912 = 900W KG752 = 800W
Merkehastighet	min^{-1}	12 000
Skivediameter	mm	KG711, KG911 = 115 KG912, KG752 = 125
Skivehulldimensjon	mm	22
Maks. skivetykkelse		
slipeskiver	mm	6
kappeskiver	mm	3,5
Spindelstørrelse		M14
Vekt	kg	KG711, KG911, KG752 = 2,1 KG912 = 2,2

		KG711, KG911, KG912
L_{pA} (lydtrykk)		92,6 dB(A), usikkerhet (K) 3 dB(A)
L_{WA} (lydeffekt)		103,6 dB(A), usikkerhet (K) 3 dB(A)
Totale vibrasjonsverdier (vektorsum fra tre retninger) bestemt i samsvar med EN60745:		
Overflatesliping ($a_{h,SC}$)		9,9 m/s^2 , usikkerhet (K) 1,5 m/s^2
Kapping (a_p)		4,6 m/s^2 , usikkerhet (K) 1,5 m/s^2
Polering ($a_{h,p}$)		4,5 m/s^2 , usikkerhet (K) 1,5 m/s^2
Sandpapirpusning ($a_{h,DS}$)		9,6 m/s^2 , usikkerhet (K) 1,5 m/s^2

KG752
L_{pA} (lydtrykk) 94,5 dB(A), usikkerhet (K) 3 dB(A)
L_{WA} (lydeffekt) 105,5 dB(A), usikkerhet (K) 3 dB(A)
Totale vibrasjonsverdier (vektorsum fra tre retninger) bestemt i samsvar med EN60745:
Overflatesliping ($a_{h,SG}$) 9,9 m/s ² , usikkerhet (K) 1,5 m/s ²
Kapping ($a_{h,P}$) 9,1 m/s ² , usikkerhet (K) 1,5 m/s ²
Polering ($a_{h,P}$) 5,0 m/s ² , usikkerhet (K) 1,5 m/s ²
Sandpapirpussing ($a_{h,DS}$) 3,3 m/s ² , usikkerhet (K) 1,5 m/s ²

EU-samsvarserklæring

MASKINERIDIREKTIV



KG711, KG911, KG912, KG752 Vinkelslipere
 Black & Decker erklærer at disse produktene, som er beskrevet under "Tekniske data", er i samsvar med:
 2006/42/EC, EN60745-1:2009 +A11:2010;
 EN60745-2-3:2011 +A2:2013 +A11:2014 +A12:2014

Disse produktene er også i samsvar med direktiv 2004/108/EU (til 19.04.2016), 2014/30/EU (fra 20.04.2016) og 2011/65/EU. For mer informasjon, vennligst kontakt Black & Decker på følgende adresser eller se baksiden av håndboken.

Undertegnede er ansvarlig for utarbeidelsen av den tekniske dokumentasjonen og gir denne erklæringen på vegne av Black & Decker.

Director of Engineering
 Black & Decker Europe, 210 Bath Road, Slough,
 Berkshire, SL1 3YD, Storbritannia
 18.11.2015

Garanti

Black & Decker er trygg på kvaliteten av produktene sine og tilbyr en 24 måneders garanti fra kjøpsdato. Denne garantierklæringen kommer i tillegg til dine lovbestemte rettigheter og er ikke i konflikt med disse. Garantien er gyldig innen områdene tilhørende medlemslandene i den Europeiske Union (EU) og det Europeiske Frihandelsområdet (EFTA). For å ta garantien i bruk må kravet være i samsvar med kjøpsbetingelsene fra Black&Decker og du må vise kjøpskvittering til forhandleren eller til et autorisert serviceverksted. Betingelsene for Black&Deckers 2 års garanti og adressen til din nærmeste autoriserte serviceverksted kan du finne på internett under www.2helpU.com, eller ved å kontakte ditt lokale Black & Decker kontor, adressen er angitt i denne bruksanvisningen. Besøk våre nettsider på www.blackanddecker.no for å registrere ditt nye Black & Decker-produkt og for å få informasjon om nye produkter og spesialtilbud.

Tilsigtet brug

Dine BLACK+DECKER KG711, KG911, KG912, KG752 vinkelslibere er designet til slibning og skæring i metal og murværk ved hjælp af passende type skære- eller slibeskiver. Når de er udstyret med passende beskyttelsesskærme, er disse værktøjer beregnet til private brugere.

Sikkerhedsinstruktioner

Generelle sikkerhedsadvarsler vedrørende elværktøj



Advarsel! Læs alle sikkerhedsadvarsler og alle instruktioner. Hvis nedenstående advarsler og instruktioner ikke følges, er der risiko for elektrisk stød, brand og/eller alvorlige personskader.

Gem alle advarsler og anvisninger til senere brug.

Begrebet "elværktøj", der benyttes i nedenstående advarsler, henviser til nedrevet elværktøj (med netledning) eller batteridrevet elværktøj (uden netledning).

1 Sikkerhed i arbejdsområdet

- Hold arbejdsområdet rent og ordentligt oplyst.** Rodede eller mørke områder giver anledning til ulykker.
- Brug ikke elværktøj i eksplosive omgivelser, f.eks. hvor der er brændbare væsker, gasser eller støv.** Elværktøj danner gnister, der kan antænde støv eller dampe.
- Hold børn og omkringstående på afstand, når der arbejdes med elværktøj.** Distractioner kan medføre, at du mister kontrollen.

2 Elektricitet og sikkerhed

- Elværktøjets stik skal passe til kontakten. Stikket må aldrig modificeres på nogen måde. Undlad at bruge adapterstik sammen med jordforbundet elektrisk værktøj.** Umodificerede stik og dertil passende stikkontakter reducerer risikoen for elektrisk stød.
- Undgå kropskontakt med jordforbundne overflader som f.eks. rør, radiatorer, komfurer og køleskabe.** Der er øget risiko for elektrisk stød, hvis din krop er jordforbundet.
- Udsæt ikke elværktøj for regn, og brug det ikke, hvor omgivelserne er våde.** Hvis der trænger vand ind i et elektrisk værktøj, øges risikoen for elektrisk stød.
- Pas på, at ledningen ikke beskadiges. Brug aldrig ledningen til at bære, trække værktøjet eller trække det ud af stikkontakten. Hold ledningen borte fra varme, olie, skarpe kanter og bevægelige dele.**

Beskadigede eller sammenfiltrede ledninger øger risikoen for elektrisk stød.

- Hvis elværktøj benyttes i det fri, skal der benyttes en forlængerledning, som er godkendt til udendørs brug.** Brug af en ledning, der er egnet til udendørs brug, reducerer risikoen for elektrisk stød.
- Brug en strømkilde med fejlstrømsrelæ, hvis det er nødvendigt at anvende elværktøj på fugtige steder.** Ved at benytte en fejlstrømsafbryder reduceres risikoen for elektrisk stød.

3 Personlig sikkerhed

- Vær opmærksom, hold øje med, hvad du laver, og brug elværktøjet fornuftigt. Betjen ikke værktøjet, hvis du er træt, påvirket af narkotika, alkohol eller medicin.** Et øjeblikvis uopmærksomhed under anvendelse af et elektrisk værktøj kan forårsage alvorlig personskade.
- Brug personligt beskyttelsesudstyr. Bær altid beskyttelsesbriller.** Sikkerhedsudstyr, såsom støvmaske, skridsikre sikkerhedssko, sikkerhedshjelm eller høreværn, brugt når omstændighederne foreskriver det, reducerer omfanget af personskader.
- Træf forholdsregler, så utilsigtet start ikke er mulig. Kontroller, at afbryderkontakten står på slukket, inden værktøjet tilsluttes strømkilden og/eller batteriet, samles op eller bæres.** Når elektrisk værktøj bæres med fingeren på kontakten eller tilsluttes, når kontakten er tændt, giver det anledning til ulykker.
- Fjern indstillingsværktøj eller skruenøgle, inden elværktøjet startes.** En skruenøgle eller anden nøgle, der bliver siddende på en roterende del af elektrisk værktøj, kan give anledning til personskade.
- Stræk dig ikke for langt. Hold hele tiden en god fodstilling og balance.** Dette giver bedre kontrol af det elektriske værktøj, når uventede situationer opstår.
- Brug egnet arbejdstøj. Bær ikke løst tøj eller smykker.** Hold dit hår, tøj og handsker væk fra bevægelige dele. Løstsiddende tøj, smykker eller langt hår kan blive fanget i bevægelige dele.
- Hvis der kan monteres støvudsugnings- og opsamlingsudstyr, skal dette tilsluttes og benyttes korrekt.** Anvendelse af støvopsamlingsudstyr kan begrænse farer forårsaget af støv.

4 Brug og vedligeholdelse af elværktøj

- Overbelast ikke elværktøjet. Brug det værktøj, der er bedst egnet til det arbejde, der skal udføres.** Værktøjet vil klare opgaven bedre og mere sikkert med den ydelse, som det er beregnet til.
- Brug ikke elværktøjet, hvis afbryderkontakten er defekt.** Alt elektrisk værktøj, der ikke kan kontrolleres med kontakten, er farligt og skal repareres.

- c. **Træk stikket ud af stikkontakten og/eller batteriet inden indstilling, tilbehørsudskiftning eller opbevaring af elværktøjet.** Sådanne forebyggende sikkerhedsforanstaltninger mindsker risikoen for, at værktøjet startes utilsigtet.
- d. **Opbevar ubenyttet elværktøj uden for børns rækkevidde.** Lad aldrig personer, der ikke er fortrolige med elværktøjet, eller som ikke har læst denne vejledning, benytte maskinen. El-værktøj er farligt i hænderne på personer, som ikke er instrueret i brugen deraf.
- e. **Elværktøj skal vedligeholdes.** Kontroller, om bevægelige dele er skæve og ikke sidder fast, og om delene er brækket eller beskadiget, så elværktøjets funktion påvirkes. Hvis det elektriske værktøj er beskadiget, skal det repareres før brug. Mange ulykker er forårsaget af dårligt vedligeholdt værktøj.
- f. **Hold skæreværktøj skarpt og rent.** Ordentligt vedligeholdt skæreværktøj med skarpe skærekanter har mindre tilbøjelighed til at binde og er lettere at styre.
- g. **Brug elværktøjet, tilbehøret, indsatsværktøj osv. i overensstemmelse med disse instruktioner under hensyntagen til arbejdsforholdene og arbejdet, der skal udføres med værktøjet.** Brug af elektrisk værktøj til andre opgaver end dem, det er beregnet til, kan resultere i en farlig situation.

5 Service

- a. **Lad kun kvalificerede fagfolk reparere elværktøjet og benyt kun originale reservedele.** Derved sikres det, at værktøjets driftssikkerhed opretholdes.

Yderligere sikkerhedsadvarsler for elværktøj



Advarsel! Yderligere sikkerhedsadvarsler til slibning, polering eller slibeskæring

- ◆ Dette elektriske værktøj er beregnet til at fungere som en slibemaskine, pudsemaskine eller afstikkerværktøj. Læs alle sikkerhedsadvarsler, instruktioner, illustrationer og specifikationer, der følger med dette elværktøj. Manglende overholdelse af alle nedenstående instruktioner kan medføre elektrisk stød, brand og/eller alvorlig personskade.
- ◆ Anden brug end den, elværktøjet er fremstillet til, kan udgøre en fare og forårsage personskade.
- ◆ Anvend ikke tilbehør, der ikke er specielt designet til værktøjet og anbefalet af producenten. Blot fordi tilbehøret kan påsættes værktøjet, garanterer det ikke sikker betjening.
- ◆ Tilbehørets nominelle hastighed skal mindst svare til den maksimale hastighed, der er markeret på elværk-

tøjet. Tilbehør, der kører hurtigere end dets nominelle hastighed, kan gå itu og flyve væk

- ◆ **Tilbehørets yvendige diameter og tykkelse skal være inden for elværktøjets kapacitetsvurdering.** Tilbehør af ukorrekt størrelse kan ikke opbevares eller kontrolleres korrekt.
- ◆ **Gevindmontering af tilbehør skal matche med slibemaskinens spindelgevind.** For tilbehør monteret med flanger skal dornhullet på tilbehøret passe til flangens placeringsdiameter. Tilbehør, der ikke matcher med el-værktøjets monterede hardware, vil køre ud af balance, vibrere for meget og kan medføre tab af kontrol.
- ◆ **Brug ikke et beskadiget tilbehør. Før brug af tilbehør undersøges f.eks. slibehjul for skår og revner, beklædningsunderlag for revner og normalt slid.** Hvis elværktøjet eller tilbehøret tabes, bør det undersøges for skade, eller der bør monteres ubeskadiget tilbehør. Efter undersøgelse og montering af tilbehør placeres du og tilskuere væk fra tilbehørets rotationsplan, og elværktøjet køres ved maksimal tomgangshastighed i et minut. Beskadiget tilbehør vil normalt gå i stykker under denne testkørsel.
- ◆ **Bær personligt beskyttelsesudstyr.** Afhængig af brugen bør du anvende ansigtsskærm eller beskyttelsesbriller. Hvis det er nødvendigt, skal du anvende støvmaske, hørebeskyttelse, handsker og et arbejdsforklæde, der kan modstå småt slibemateriale eller arbejdsbemefragmenter. Øjenbeskyttelsen skal kunne stoppe flyvende fremmedlegemer, der opstår som følge af de forskellige betjening. Støvmasken eller åndedrætsværnet skal kunne filtrere partikler, der frembringes som følge af dit arbejde. Forlænget eksponering for høj, intens støj kan forårsage høreskader.
- ◆ **Sørg for, at tilskuere står i en sikker afstand fra arbejdsområdet.** Folk, der befinder sig i arbejdsområdet, skal anvende personligt beskyttelsesudstyr. Fragmenter af arbejdsområdet eller ødelagt tilbehør kan flyve afsted og forårsage skade uden for det umiddelbare arbejdsområde.
- ◆ **Hold fast i elværktøjet ved hjælp af de isolerede håndtagsflader, når der skal saves i emner, hvor skæreværktøjet kan berøre skjulte ledninger eller sit eget kabel.** Kommer skæreværktøjet i kontakt med en "strømførende ledning", kan blottagte metaldele på el-værktøjet gøres strømførende og give stød til brugeren.
- ◆ **Anbring ledningen på afstand af roterende tilbehør.** Hvis du mister kontrollen, kan ledningen blive skåret eller fastklemmet, og din hånd eller arm kan trækkes ind i det roterende tilbehør.
- ◆ **Læg aldrig værktøjet fra dig, før tilbehøret er helt stoppet.** Det roterende tilbehør kan gribe fast i overfladen, og du kan miste kontrollen over elværktøjet.

- ◆ **Start ikke elværktøjet, mens du bærer det.** Utilsigtet kontakt med det roterende tilbehør kan hænge fast i dit tøj og efterfølgende ind i huden.
- ◆ **Rengør værktøjets lufthuller med jævne mellemrum.** Motorens ventilator vil trække støv ind i kabinettet, og for megen akkumulering af metalstykker kan udgøre en elektrisk fare.
- ◆ **Bedjen ikke elværktøjet nær brændbare materialer.** Gnister kan antænde disse materialer.
- ◆ **Anvend ikke tilbehør, der kræver kølevæsker.** Brug af vand eller anden kølevæske kan resultere i livsfarlig elektrisk stød.

Bemærk: Ovenstående advarsel gælder ikke for el-værktøj, der specifikt er designet til brug sammen med et flydende system.

Tilbageslag og relaterede advarsler

Tilbageslag er en pludselig reaktion på et fastklemt eller blokeret slibehjul, støttepude, børste eller andet tilbehør. Klemning eller blokering forårsager hurtig blokering af det roterende tilbehør, der gør, at det ukontrollerede elværktøj kører i modsat retning af tilbehørets rotation på det sted, det er fastkørt.

F.eks. hvis et slibehjul er fastklemt eller blokeret af arbejdssemnet, kan kanten af hjulet, der er på vej ind i det spidse punkt, grave sig ind i overfladen på materialet og forårsage, at hjulet arbejder sig ud eller falder ud. Hjulet kan enten gå imod eller væk fra operatøren, afhængigt af hjulets bevægelsesretning ved fastklemmelsespunktet. Slibehjul kan også gå i stykker under disse forhold.

Et tilbageslag opstår som følge af forkert brug eller ved misbrug af elværktøjet. Det kan undgås ved at følge nedenstående forholdsregler.

- ◆ **Hold godt fast på elværktøjet og placer kroppen og armen således, at du kan modstå styrken fra et tilbageslag.** Anvend altid ekstrahåndtaget, hvis det medfølger, for maksimal kontrol over tilbageslag eller momentreaktion under opstart. Operatøren kan kontrollere momentreaktioner eller tilbageslagets styrke, hvis der tages korrekte forholdsregler.
- ◆ **Placer aldrig hånden i nærheden af det roterende tilbehør.** Tilbehøret kan slå tilbage over din hånd.
- ◆ **Placer ikke kroppen i det område, hvor værktøjet kan bevæge sig, hvis der opstår et tilbageslag.** Tilbageslag vil drive værktøjet frem i den modsatte retning af hjulets bevægelse ved blokeringspunktet.
- ◆ **Vær ekstra omhyggelig når du arbejder med hjørner, skarpe kanter osv. Undgå at bumpe eller blokere tilbehøret.** Hjørner, skarpe kanter eller bump har en tendens til at blokere det roterende tilbehør og kan forårsage mangel på kontrol eller tilbageslag.

- ◆ **Påsæt ikke en savkædes snitteblad eller en savklinge med tænder.** Sådanne klinger forårsager ofte tilbageslag og mangel på kontrol.

Sikkerhedsadvarsler, der er specifikke for slibnings- og afskæringsfunktioner:

- ◆ **Brug kun hjul typer, der er anbefalet til dit elværktøj og den specifikke beskyttelsesskærm, der er fremstillet til det valgte hjul.** Hjul, der ikke er fremstillet til værktøjet, kan ikke afskærmes korrekt og er usikre.
- ◆ **Slibeoverfladen på de midterste nedtrykkede hjul skal være monteret under fladen på kanten af beskyttelsesskærmen.** Et hjul, der ikke er monteret korrekt, og som projekteres gennem fladen på kanten af beskyttelsesskærmen, kan ikke beskyttes tilstrækkeligt.
- ◆ **Beskyttelsesskærmen skal være sikkert fastgjort til elværktøjet for maksimal sikkerhed, således at mindst muligt af hjulet er blotlagt mod operatøren.** Beskyttelsesskærmen hjælper med til at beskytte operatøren mod hjulfragmenter og utilsigtet kontakt med hjulet og gnister, som kan antænde tøj.
- ◆ **Hjulene må kun anvendes til den anbefalede brug.** Eksempelvis: slib ikke med siden af afskæringshjulet. Slibeskæringshjul er tilsigtet perifer slibning. Sidekraft på disse hjul kan ødelægge dem.
- ◆ **Brug altid udskadigede hjulflanger med den rette størrelse og form til dit valgte hjul.** Korrekte hjulflanger støtter hjulet og reducerer dermed muligheden for hjulskade. Flanger til skærehjul kan være forskellige fra slibehjulflanger.
- ◆ **Brug ikke brugte, slidte hjul fra større elværktøjer.** Hjul, der er tilsigtet større elværktøjer, er ikke egnet til det lille værktøjs høje hastighed og kan gå i stykker.

Yderligere sikkerhedsadvarsler, som er specifikke for afskæring ved slibning

- ◆ **Bloker ikke afskæringshjulet, og tryk ikke for kraftigt.** Forsøg ikke at foretage et for dybt snit. For stor belastning på hjulet øger sandsynligheden for at det vrides eller sætter sig fast i snittet eller muligheden for tilbageslag eller hjuldefekt.
- ◆ **Placer ikke kroppen på linje med eller bag det roterende hjul.** Når hjulet fra arbejds punktet bevæger sig væk fra din krop, kan det mulige tilbageslag sætte gang i drejende hjul og elværktøjet i din retning.
- ◆ **Sluk for elværktøjet, og hold det stille, indtil hjulet er helt stoppet, hvis hjulet sætter sig fast, eller hvis et snit afbrydes.** Forsøg aldrig at fjerne afskæringshjulet fra snittet, mens hjulet er i bevægelse, da der kan forekomme tilbageslag. Find ud af, hvorfor hjulet har sat sig fast, og træf passende forholdsregler, så det ikke kan ske igen.

- ◆ **Genstart ikke snittet i arbejdsemnet. Lad hjulet nå fuld hastighed og sæt det derefter forsigtigt ind i snittet.** Hjulet kan eventuelt binde, arbejde sig ud af arbejdsemnet eller forårsage tilbageslag, hvis elværktøjet startes i arbejdsemnet.
- ◆ **Understøt plader eller store arbejdsemner for at minimere risikoen for, at hjulet klemmes fast, og der opstår et tilbageslag.** Store arbejdsemner har en tendens til at synke under deres egen vægt. Arbejdsemnet skal afstøttes på begge sider af hjulet, både i nærheden af skærelinjen og ved arbejdsemnets kant.
- ◆ **Vær især forsigtig, hvis der foretages et indstik i eksisterende vægge eller andre steder, hvor du ikke kan se, hvad du skærer i.** Hjulet, der skal dykke ned, kan skære gas- eller vandrør, elektriske ledninger eller genstande, der kan forårsage tilbageslag.

Sikkerhedsadvarsler, som er specifikke for pudsnig

- ◆ **Brug ikke for store pudseskiver. Følg producentens anbefalinger ved valg af pudsepapir.** Slibepapir, der går ud over slibepuden, udgør en fare for flænsning og kan forårsage blokering eller flænsning af disken eller tilbageslag.

Sikkerhedsadvarsler, som er specifikke for polering

- ◆ **Løse dele af poleringshætten eller dens fastgørelsesnørene må ikke kunne rotere frit. Gem eventuelle løse snører af vejen eller skær dem af.** Løst, roterende tilbehør kan vikles ind i dine fingre eller sætte sig fast på arbejdsemnet.

Andres sikkerhed

- ◆ Dette værktøj må ikke bruges af personer (herunder børn) med nedsatte fysiske, sensoriske eller mentale evner eller manglende erfaring og viden, medmindre det sker under overvågning, eller der gives instruktion i brugen af værktøjet af en person, der er ansvarlig for deres sikkerhed.
- ◆ Børn skal overvåges for at sikre, at de ikke leger med udstyret.

Restrisici.

Der kan opstå yderligere restrisici under brugen af værktøjet, som ikke kan medtages i vedlagte sikkerhedsadvarsler. Disse risici kan opstå pga. forkert anvendelse, langvarig brug etc. Selv ved overholdelse af relevante sikkerhedsforskrifter og anvendelse af sikkerhedsudstyr kan visse restrisici ikke undgås. Disse omfatter:

- ◆ **Tilskadekomst forårsaget af berøring af roterende/bevægelige dele.**
- ◆ **Tilskadekomst forårsaget af udskiftning af dele, klinger eller tilbehør.**

- ◆ **Tilskadekomst forårsaget af langvarig brug af et værktøj. Husk at holde pause jævnligt ved brug af et værktøj i længere tid.**
- ◆ **Hørenedsættelse.**
- ◆ **Sundhedsrisici forårsaget af indånding af støv, der genereres ved brug af værktøjet (eksempel: Arbejde med træ, især, eg, bøg og MDF.)**

Vibration

De angivne værdier for udsendelse af vibration opført under de tekniske data og overensstemmelseserklæringen er målt i henhold til standardtestmetoden anført i EN60745 og kan bruges til at sammenligne ét værktøj med et andet. Den angivne vibrationsmissionsværdi kan også bruges som en foreløbig vurdering af eksponeringen.

Advarsel! Værdien for udsendelse af vibration ved faktisk brug af elværktøjet kan afvige fra den angivne værdi afhængig af måden, værktøjet anvendes på.

Vibrationsniveauet kan overstige det angivne niveau.

I vurderingen af eksponeringen for vibration med henblik på fastsættelse af sikkerhedsforanstaltninger som krævet i 2002/44/EF til beskyttelse af personer, der jævnligt anvender elværktøj i deres arbejde, skal der tages hensyn til de faktiske betingelser under brugen, og måden værktøjet bruges på, herunder alle arbejdsrykklussens elementer, f.eks. perioder, hvor værktøjet er slukket, og hvor det kører i tomgang, tillige med startperioderne.

Mærkater på værktøjet

Værktøjet er forsynet med følgende piktogrammer sammen med en datokode:



Advarsel! Brugeren skal læse brugervejledningen for at reducere risikoen for tilskadekomst.



Bær beskyttelses- eller sikkerhedsbriller, når du bruger dette værktøj.



Bær høreværn, når du bruger dette værktøj.

Elektricitet og sikkerhed



Dette værktøj er dobbelt isoleret, derfor er en jordledning ikke nødvendig. Kontrollér altid, at strømforstyringen svarer til spændingen på mærkepladen.

- ◆ Hvis netledningen beskadiges, skal den udskiftes af producenten eller et autoriseret BLACK+DECKER-værksted, så farlige situationer undgås.

Funktioner

Dette værktøj leveres med nogle af eller alle de følgende komponenter.

- 1 Tænd/sluk-kontakt
- 2 Sidehåndtag
- 3 Spindellås
- 4 Beskyttelsesskærm

Samling

Advarsel! Kontroller før samling, at værktøjet er slukket, og at stikket er taget ud af stikkontakten.

Montering og afmontering af skærmen (fig. A)

Med værktøjet følger en skærm, der kun er beregnet til slibeopgaver. Hvis enheden er beregnet til skæreopgaver, skal der monteres en særlig skærm til denne type arbejde. Der findes en egnet skærm til skæreopgaver med delnumrene 1004702-27 og 1004702-28 for KG711/KG911 og KG912/KG752, og de kan anskaffes fra BLACK & DECKER-servicecentre.

Montering og afmontering af skjoldet (fig. A) kun KG912

Med værktøjet følger et skjold kun beregnet til afskæringsopgaver. Hvis apparatet skal bruges til slibearbejde, skal der monteres et særligt skjold til denne type arbejde. Et egnet skjold til slibearbejde, delnr. 1004702-36, kan fås hos BLACK & DECKER-servicecentre.

Montering

- ◆ Anbring vinkelsliberen på et bord, spindel (5) op.
- ◆ Ret øsknerne (8) ind efter hakkene (9).
- ◆ Tryk beskyttelsesskærmen (4) ned og drej den til den ønskede position.
- ◆ Spænd skruen godt (6).
- ◆ Løsn skruen for at fjerne beskyttelsesskærmen

Advarsel! Brug aldrig værktøjet uden monteret skærm.

Montering af sidehåndtaget

- ◆ Skru sidehåndtaget (2) ind i et af værktøjets monteringshuller.

Advarsel! Brug altid sidehåndtaget.

Påsætning og aftagning af slibe- eller skæreskiver (fig. B-D)

Brug altid den rette type skive til opgaven. Brug altid skiver med korrekt diameter og hulstørrelse (se tekniske data).

Montering

- ◆ Sæt skærmen på som beskrevet ovenfor.
- ◆ Placer den indvendige flange (10) på spindlen (5) som vist (fig. B). Sørg for, at flangen er placeret korrekt på spindlens flade sider.

- ◆ Placer skiven (11) på spindlen (5) som vist (fig. B). Hvis skiven har forhøjet midte (12), skal du sikre, at den forhøjede midte vender mod den indvendige flange.
- ◆ Sørg for, at skiverne placeres korrekt på den indvendige flange.
- ◆ Placer den udvendige flange (13) på spindlen. Ved påsætning af en slibeskive skal den forhøjede midte på den udvendige flange vende mod skiven (A i fig. C). Ved påsætning af en skæreskive skal den forhøjede midte på den udvendige flange vende væk fra skiven (B i fig. C).
- ◆ Hold spindellåsen (3) trykket ned, og spænd den udvendige flange vha. skruenøglen (14) (fig. D).

Afmontering

- ◆ Hold spindellåsen (3) trykket ned, og løsn den udvendige flange (13) vha. skruenøglen (14) (fig. D).
- ◆ Fjern den udvendige flange (13) og skiven (11).

Montering og afmontering af slibeskiver (fig. D og E)

Til pudsnng kræves en underpude. Underpuden fås hos din BLACK+DECKER forhandler som tilbehør.

Montering

- ◆ Placer den indvendige flange (10) på spindlen (5) som vist (fig. E). Sørg for, at flangen er placeret korrekt på spindlens flade sider.
- ◆ Placer underpuden (15) på spindlen.
- ◆ Placer pudseskiven (16) på underpuden.
- ◆ Placer den udvendige flange (13) på spindlen med den forhøjede midte væk fra skiven.
- ◆ Hold spindellåsen (3) trykket ned, og spænd den udvendige flange vha. skruenøglen (14) (fig. D). Sørg for, at den udvendige flange er placeret korrekt, og at skiven er solidt fastgjort.

Afmontering

- ◆ Hold spindellåsen (3) trykket ned, og løsn den udvendige flange (13) vha. skruenøglen (14) (fig. D).
- ◆ Fjern den udvendige flange (13), pudseskiven (16) og underpuden (15).

Anvendelse

Advarsel! Lad værktøjet arbejde i dets eget tempo. Det må ikke overbelastes.

- ◆ Styr omhyggeligt ledningen, så du ikke klipper den over ved et uheld.
- ◆ Vær forberedt på en strøm af gnister, når slibe- eller skæreskiven berører arbejdsområdet.
- ◆ Placer altid værktøjet på en sådan måde, at skærmen giver optimal beskyttelse mod slibe- eller skæreskiven.

Tænd og sluk

- ◆ Tænd ved at skubbe tænd/sluk-kontakten (1) fremad. Bemærk, at værktøjet fortsætter med at køre, efter du har sluppet kontakten.
- ◆ Sluk ved at trykke på den bageste del af tænd/sluk-kontakten.

Advarsel! Sluk ikke værktøjet, mens det er under belastning.

Blød startfunktion

Den bløde startfunktion giver mulighed for langsom hastighed-sopbygning for at undgå ryk ved start. Denne funktion er særdeles nyttig, når der arbejdes i lukkede rum.

Ingen-volt

Ingen-volt-funktionen stopper vinkelsliberens genstart, uden at der er tændt og slukket for kontakten, hvis der er en pause i strømforsyningen.

Gode råd til optimal brug

- ◆ Hold godt fast i værktøjet med den ene hånd omkring sidehåndtaget og den anden hånd omkring hovedhåndtaget.
- ◆ Ved slibning opretholdes altid en vinkel på ca. 15° mellem skiven og arbejdsemnets overflade.

Vedligehold

Dit BLACK+DECKER-apparat/værktøj med eller uden ledning er beregnet til brug gennem lang tid med et minimum af vedligeholdelse. Vedvarende tilfredsstillende funktion er afhængig af, om værktøjet plejes korrekt og rengøres regelmæssigt.

Advarsel! Før udførelse af nogen form for vedligeholdelse på elværktøj med/uden ledning:

- ◆ Sluk og tag apparatets/værktøjets stik ud af stikkontakten.
- ◆ Eller sluk og fjern batteriet fra apparatet/værktøjet, hvis det har en separat batteripakke.
- ◆ Eller aflad batteriet helt, hvis det er indbygget, og sluk derefter.
- ◆ Træk laderen ud af stikkontakten, før den rengøres. Laderen kræver ingen vedligeholdelse, men skal rengøres jævnligt.
- ◆ Rengør jævnligt apparatets/værktøjets/laderens ventilationshuller med en blød børste eller en tør klud.
- ◆ Rengør med jævne mellemrum motorhuset med en fugtig klud. Der må ikke bruges skuremidler eller opløsningsmidler.
- ◆ Åbn jævnligt patronen og bank på den for at fjerne indvendigt støv (hvis monteret)..

Miljøbeskyttelse



Særskilt indsamling. Produkter og batterier mærket med dette symbol må ikke bortskaffes sammen med normalt husholdningsaffald.

Produkter og batterier indeholder materialer, der kan blive gendannet eller genanvendt og således reducere efterspørgslen efter råvarer. Genbrug venligst elektriske produkter og batterier i henhold til lokale regulativer.

Tekniske data

		KG711 (Type 1)
Indgangsspænding	V _{AC}	230
Effektindgang	W	750
Nominel hastighed	min ⁻¹	12.000
Skivediameter	mm	115
Skivehul	mm	22
Maks. skivetykkelse		
slibeskiver	mm	6
skæreskiver	mm	3,5
Spindelstørrelse		M14
Vægt	kg	2

		KG911-KG912-KG752 (Type 1)
Indgangsspænding	V _{AC}	230
Effektindgang	W	KG911, KG912 = 900W KG752 = 800W
Nominel hastighed	min ⁻¹	12.000
Skivediameter	mm	KG711, KG911 = 115 KG912, KG752 = 125
Skivehul	mm	22
Maks. skivetykkelse		
slibeskiver	mm	6
skæreskiver	mm	3,5
Spindelstørrelse		M14
Vægt	kg	KG711, KG911, KG752 = 2,1 KG912 = 2,2

KG711,KG911,KG912
L_{DA} (lydtryk) 92,6 dB(A), usikkerhed (K) 3 dB(A)
L_{WA} (lydeffekt) 103,6 dB(A), usikkerhed (K) 3 dB(A)
Samlede værdier for vibration (triaksial vektorsum) i henhold til EN60745:
Overfladeslibning (a _{h,SG}) 9,9 m/s ² , usikkerhed (K) 1,5 m/s ²
Afskæring (a _p) 4,6 m/s ² , usikkerhed (K) 1,5 m/s ²
Polering (a _{h,P}) 4,5 m/s ² , usikkerhed (K) 1,5 m/s ²
Skivepudsning (a _{h,DS}) 9,6 m/s ² , usikkerhed (K) 1,5 m/s ²

KG752
L_{DA} (lydtryk) 94,5 dB(A), usikkerhed (K) 3 dB(A)
L_{WA} (lydeffekt) 105,5 dB(A), usikkerhed (K) 3 dB(A)
Samlede værdier for vibration (triaksial vektorsum) i henhold til EN60745:
Overfladeslibning (a _{h,SG}) 9,9 m/s ² , usikkerhed (K) 1,5 m/s ²
Afskæring (a _p) 9,1 m/s ² , usikkerhed (K) 1,5 m/s ²
Polering (a _{h,P}) 5,0 m/s ² , usikkerhed (K) 1,5 m/s ²
Skivepudsning (a _{h,DS}) 3,3 m/s ² , usikkerhed (K) 1,5 m/s ²

EF-overensstemmelseserklæring

MASKINDIREKTIV



KG711, KG911, KG912, KG752 vinkelslibere

Black & Decker erklærer, at produkterne beskrevet under "Tekniske data" er i overensstemmelse med:

2006/42/EC, EN60745-1:2009 +A11:2010;

EN60745-2-3:2011 +A2:2013 +A11:2014 +A12:2014

Disse produkter er endvidere i overensstemmelse med direktiv 2004/108/EF (indtil 19.04.2016) 2014/30/EU (fra 20.04.2016) og 2011/65/EU. Kontakt Black & Decker på følgende adresse for yderligere oplysninger eller se bagsiden af vejledningen.

Undertegnede er ansvarlig for udarbejdelsen af de tekniske data og fremsætter denne erklæring på vegne af Black & Decker.

Direktør for maskinteknik

Black & Decker Europe, 210 Bath Road, Slough,
Berkshire, SL1 3YD, Storbritannien

18.11.2015

Garanti

Black & Decker er sikker på kvaliteten af sine produkter og giver forbrugerne en garanti på 24 måneder fra købsdatoen. Garantien er et tillæg til forbrugerens lovsikrede rettigheder og påvirker ikke disse. Garantien er gyldig inden for medlemsstaterne af Den Europæiske Union og Det Europæiske Frihandelsområde. Når du gør krav på garantien, skal kravet være i overensstemmelse med Black&Decker vilkår og betingelser, og du skal indsende dokumentation for købet til sælgeren eller til en autoriseret reparatør.

Vilkår og betingelser for Black & Decker 2 års garanti og placeringen af dit nærmeste autoriserede serviceværksted kan fås på internettet på www.2helpU.com, eller ved at kontakte dit lokale Black & Decker kontor på den adresse, der er angivet i denne vejledning.

Besøg venligst vores websted www.blackanddecker.co.uk for at registrere dit nye Black & Decker produkt og modtage opdateringer om nye produkter og specielle tilbud.

Käyttötarkoitus

BLACK+DECKER KG711, KG911, KG912, KG752 -kulmahiomakoneet on tarkoitettu metallin ja kivimateriaalin hiomiseen ja leikkaamiseen oikeanlaista katkaisu- tai hiomalaikkaa käyttäen. Kun laitteeseen on asennettu asianmukainen suojus, se on tarkoitettu vain yksityiskäyttöön.

Turvallisuusohjeet

Sähkötyökalujen yleiset turvavaroitukset



Varoitus! Lue kaikki turvallisuusvaroitukset ja ohjeet. Alla olevien varoitusten ja ohjeiden noudattamisen laiminlyönti saattaa johtaa sähköiskun, tulipaloon ja/tai vakavaan loukkaantumiseen.

Säästä kaikki varoitukset ja ohjeet tulevaa käyttöä varten. Ohjeissa käytetty käsite "sähkötyökalu" tarkoittaa verkkokäyttöisiä sähkötyökaluja (verkkojohdolla varustettuja) ja akkukäyttöisiä sähkötyökaluja (ilman verkkojohtoa).

1. Työalueen turvallisuus

- Pidä työalue puhtaana ja varmista sen hyvä valaistus.** Onnettomuuksia sattuu herkemmin epäsiistissä tai huonosti valaistussa ympäristössä.
- Älä käytä sähkötyökalua räjähdysalttiissa ympäristössä, jossa on syttyvää nestettä, kaasua tai pölyä.** Sähkötyökalujen aiheuttamat kipinät voivat sytyttää pölyn tai kaasut.
- Pidä lapset ja sivulliset loitolla sähkötyökalua käyttäessäsi.** Keskittymiskyvyn herpaantuminen voi aiheuttaa hallinnan menettämisen.

2. Sähköturvallisuus

- Sähkötyökalun pistokkeen on sovitava pistorasiaan. Älä koskaan tee pistokkeeseen mitään muutoksia. Älä yhdistä maadoitettua sähkötyökalua jatkojohtoon.** Sähköiskun vaara vähenee, jos pistokkeisiin ei tehdä muutoksia ja ne yhdistetään vain niille tarkoitettuihin pistorasioihin.
- Vältä koskettamasta maadoitettuja pintoja, kuten putkia, lämpöpattereita, liesiä tai jääkaappeja.** Voit saada sähköiskun, jos kehosi on maadoitettu.
- Älä altista sähkötyökalua sateelle tai kosteudelle.** Sähkötyökaluun menevä vesi lisää sähköiskun vaaraa.
- Älä käsittele virtajohtoa kovakouraisesti. Älä kannata työkaluja sähköjohdosta tai vedä pistoketta pistorasiasta sähköjohdon avulla. Pidä sähköjohto kaukana kuumuudesta, öljystä, terävistä reunoista tai liikkuvista osista.** Vaurioituneet tai sokeutuneet johdot lisäävät sähköiskun vaaraa.

- Käyttäessäsi sähkötyökalua ulkona käytä ainoastaan ulkokäyttöön soveltuvaa jatkojohtoa.** Ulkokäyttöön tarkoitettun sähköjohdon käyttäminen vähentää sähköiskun vaaraa.
- Jos sähkötyökalua on välttämättä käytettävä kosteassa paikassa, käytä vikavirtasuojalla (RCD) suojattua virtälähdettä.** Tämä vähentää sähköiskun vaaraa.

3. Henkilöturvallisuus

- Ole valpas, keskity työhön ja noudata tervettä järkeä sähkötyökalun käytössä. Älä käytä tätä työkalua ollessasi väsynyt tai alkoholin, huumeiden tai lääkkeiden vaikutuksen alaisena.** Keskittymisen herpaantuminen hetkeksikin sähkötyökalua käytettäessä voi aiheuttaa vakavan henkilövahingon.
- Käytä henkilökohtaisia suojavarusteita. Käytä aina suojalaseja.** Hengityssuojaimen, liukumattomien turvajalkineiden, kypärän ja kuulosuojaimen käyttäminen vähentää henkilövahinkojen vaaraa.
- Vältä tahatonta käynnistämistä. Varmista, että kytkin on OFF-asennossa, ennen kuin liität laitteen virtalähteeseen ja/tai akkuun, nostat laitteen tai kannat sitä.** Sähkötyökalun kantaminen sormi virtakytkimellä lisää onnettomuusvaaraa.
- Irrota mahdollinen säätö- tai kiintoavain ennen kuin käynnistät sähkötyökalun.** Sähkötyökalun pyöriivään osaan kiinni jäänyt avain voi johtaa loukkaantumiseen.
- Älä kurkota. Huolehdi siitä, että sinulla on koko ajan tukeva jalansija ja hyvä tasapaino.** Näin voit hallita sähkötyökalua paremmin odottamattomissa tilanteissa.
- Käytä tarkoitukseen soveltuvia vaatteita. Älä käytä löysiä vaatteita tai koruja. Pidä hiukset, vaatteet ja kädet loitolla liikkuvista osista.** Löysät vaatteet, korut tai pitkät hiukset voivat tarttua liikkuviin osiin.
- Jos työkalun voi liittää polynimuriin, tarkista, että liitos on tehty asianmukaisesti ja että laitteita käytetään oikealla tavalla.** Pölyn ottaminen talteen voi vähentää pölyn aiheuttamia vaaroja.

4. Sähkötyökalujen käyttö ja hoito

- Älä ylikuormita sähkötyökalua. Valitse käyttötarkoituksen kannalta oikea sähkötyökalu.** Sähkötyökalu toimii paremmin ja turvallisemmin, kun sitä käytetään sille suunniteltuun käyttötarkoitukseen.
- Älä käytä sähkötyökalua, jota ei voida käynnistää ja pysäyttää virtakytkimestä.** Jos sähkötyökalua ei voi hallita kytkimen avulla, se on vaarallinen ja se on korjattava.
- Irrota pistotulppa pistorasiasta ja/tai akku laitteesta ennen kuin suoritat säätöjä, vaihdat tarvikkeita tai siirrä sähkötyökalun varastoitavaksi.** Näin voit

vähentää vahingossa käynnistymisen aiheuttaman henkilövahingon vaaraa.

- d. Säilytä sähkötyökalut poissa lasten ulottuvilta, kun niitä ei käytetä. Älä anna sähkötyökalua sellaisen henkilön käyttöön, joka ei tunne sitä tai joka ei ole tutustunut tähän käyttöohjeeseen. Sähkötyökalut ovat vaarallisia kouluttamattomien käyttäjien käsissä.
- e. Hoida sähkötyökalusi huolella. Tarkista, että liikkuvat osat toimivat moitteettomasti ja etteivät ne ole puristuksessa. Tarkista myös, ettei työkalussa ei ole murtuneita tai vahingoittuneita osia, jotka saattaisivat vaikuttaa haitallisesti sen toimintaan. Jos havaitset vaurioita, korjauta sähkötyökalu ennen niiden käyttämistä. Huonosti kunnossapidetyt sähkötyökalut aiheuttavat onnettomuuksia.
- f. Pidä leikkausterät terävinä ja puhtaina. Kunnossa pidettyjen leikkaavia teräviä reunoja sisältävien työkalut todennäköisyys jumiutua vähenee, ja niitä on helpompi hallita.
- g. Käytä sähkötyökaluja, tarvikkeita, vaihtoteriä yms. näiden ohjeiden mukaisesti. Ota tällöin huomioon työolosuhteet ja suoritettava toimenpide. Jos sähkötyökalua käytetään näiden ohjeiden vastaisesti, voi syntyä vaaratilanne.

5. Huolto

- a. Korjauta sähkötyökalu koulutetulla ja ammattitaitoisella henkilöllä ja hyväksy korjauksiin vain alkuperäisiä varaosia. Tämä varmistaa sähkötyökalun turvallisuuden.

Sähkötyökalujen lisäturvavaroitukset



Varoitus! Lisäturvavaroitukset hiomiseen, kiillotukseen tai katkaisutoimenpiteisiin

- ◆ Tämä sähkötyökalu on tarkoitettu käytettäväksi hioma-, kiillotus- tai leikkauskoneena. Lue kaikki tämän sähkötyökalun mukana toimitetut varoitukset, käyttöohjeet ja tekniset tiedot. Jos kaikkia ohjeita ei noudateta, on olemassa sähköiskun, tulipalon ja/tai vakavan henkilövahingon vaara.
- ◆ Jos sähkötyökalua käytetään tarkoitukseen, johon sitä ei ole suunniteltu, voi aiheutua vaaratilanne ja henkilövahinko.
- ◆ Älä käytä varaosia tai varusteita, joita valmistaja ei suosittele tai ole hyväksynyt. Varusteen käyttäminen ei ole turvallista vain siksi, että se voidaan yhdistää sähkötyökaluun.
- ◆ Varusteen nimellisa nopeuden tulee olla vähintään sama kuin sähkötyökaluun merkityn enimmäisnopeuden.

Jos varusteita käytetään niiden nimellisa nopeutta suuremmalla nopeudella, ne voivat särkyä ja niistä voi lentää kappaleita

- ◆ Varusteen ulkoläpimitan ja paksuuden on vastattava sähkötyökalun kapasiteettia. Väärän kokoista varustetta ei voida suojata tai hallita riittävän tehokkaasti.
- ◆ Lisävarusteiden kierteisen kiinnitysosan on sovittava hiomakoneen karan kierteisiin. Laippojen avulla asennettujen lisävarusteiden kohdalla lisävarusteen kiinnitysreiän on sovittava laipan sijoituskohdan halkaisijaan. Jos varustetta ei voi kiinnittää sähkötyökaluun kunnolla, voi aiheutua epätasapaino ja voit menettää työkalun hallinnan tärinänsä vuoksi.
- ◆ Älä käytä vaurioitunutta lisävarustetta. Ennen käyttämistä tarkista, ettei tarvikkeessa (esimerkiksi hiomalaiikassa) ole halkeamia, repeämiä tai kulumia. Jos sähkötyökalu putoaa, tarkista, onko siihen tullut vaurioita ja vaihda vaurioitunut osa. Kun olet tarkistanut laitteen, siirry kauas siitä ja pyydä muitakin siirtymään kauemmas. Anna sähkötyökalun käydä suurimmalla nopeudella kuormittamattomana minuutin ajan. Vaurioitunut varuste tavallisesti särkyvät tämän testausajan kuluessa.
- ◆ Käytä henkilökohtaisia suojavarusteita. Käytä kasvusojusta tai turvalaseja tehtävän työn vaatimusten mukaisesti. Käytä tarvittaessa hengityssuojainta, kuulosuojaimia, käsineitä ja suojavaateetusta, joka estää lentäviä kappaleiden aiheuttamat henkilövahingot. Turvalasien on pystyttävä estämään lentäviä kappaleita aiheuttamasta henkilövahinkoja. Hengityssuojaimen on pystyttävä estämään hiukkasia pääsemästä hengitysteihin. Pitkäaikainen altistuminen melulle voi heikentää kuuloa.
- ◆ Pidä sivulliset turvallisen etäisyyden päässä työskentelyalueesta. Työskentelyalueella on käytettävä henkilösuojavarusteita. Työstettävän kappaleen tai särkyneen varusteen singahtavat osat voivat aiheuttaa henkilövahinkoja.
- ◆ Jos terä voi osua pilotettuihin sähköjohtoihin tai työkalun omaan sähköjohtoon, tartu vain työkalun eristettyihin tarttumapintoihin. Leikkaavien varusteiden osuminen jännitteeseen johtoon tekee sen paljaista metalliosista jännitteisiä, joten käyttäjä voi saada sähköiskun.
- ◆ Pidä sähköjohto kaukana työkalusta. Jos menetät työkalun hallinnan, johto voi katketa tai vaurioitua tai työkalu voi osua käteesi.
- ◆ Laske työkalu alas vasta kun se on täysin pysähtynyt. Käynnissä oleva työkalu voi osua työtason pintaan, jolloin menetät sen hallinnan.
- ◆ Älä anna sähkötyökalun olla käynnissä kantaessasi sitä. Jos käynnissä oleva sähkötyökalu tarttuu vaatteisiisi, se voi osua kehoosi.

- ◆ **Puhdista sähkötyökalun ilmanvaihtoaukot säännöllisesti.** Moottorin puhallin vetää pölyä työkalun sisään. Metallipölyn kertyminen voi aiheuttaa sähköiskun vaaran.
- ◆ **Älä käytä sähkötyökalua helposti syttyvien aineiden läheisyydessä.** Kipinät voivat sytyttää ne.
- ◆ **Älä käytä nestejäähdytystä edellyttäviä varusteita.** Vedden tai muun jäähdytysaineen käyttäminen voi aiheuttaa sähköiskun.

Huomautus: Yllä oleva varoitus ei koske sähkötyökaluja, jotka on tarkoitettu käytettäväksi nestejärjestelmällä.

Takapotku ja vastaavat varoitukset

Takapotku aiheutuu äkillisesti hiomalaikan, taustalevyn, harjan tai varusteen juutuessa kiinni. Tällöin pyörä pysähtyy ja sähkötyökalu lähtee hallitsemattomasti vastakkaiseen suuntaan.

Jos esimerkiksi hiomalaikka jää kiinni työstettävään kappaleeseen, laikan reuna voi kaivautua sen pintaan, jolloin hiomalaikka voi nousta pinnalle tai aiheuttaa potkun. Hiomalaikka voi singahtaa käyttäjää kohden tai hänestä pois päin sen mukaan mihin suuntaan laikka pyörii jäädessään kiinni. Tällöin hiomalaikka voi myös rikkoutua.

Takapotku on seurausta sähkötyökalun väärinkäyttämisestä tai virheellisistä olosuhteista. Se voidaan välttää seuraavien varoitimien avulla.

- ◆ **Pitele työkalua tiukasti. Pidä kehosi ja käsivartesi asennossa, jossa ne vastustavat takapotkun voimaa. Pidä aina kiinni lisäkavhasta, jotta takapotku ja käynnistymisen aikana esiintyvä vääntöreaktio pysyvät hallinnissa.** Käyttäjä voi hallita vääntöreaktiota tai takapotkuvoimaa, jos tarvittaviin varotoimiin ryhdytään.
- ◆ **Älä vie käsiä käynnissä olevan työkalun lähelle.** Se voi aiheuttaa takapotkun.
- ◆ **Pidä kehosi kaukana alueelta, johon sähkötyökalu singahtaa takapotkun vaikutuksesta.** Takapotku saa työkalun singahtamaan vastakkaiseen suuntaan laikan liikkeeseen nähden, jos se tarttuu kiinni.
- ◆ **Noudata erityistä huolellisuutta kulmia, teräviä reunoja yms. työstäessä.** Vältä varusteen kimpoamista ja tarttumista. Nurkat, terävät kulmat tai kimpoaminen voivat aiheuttaa toiminnassa olevan työkalun jäämisen kiinni, jolloin sen hallinta menetetään tai voi aiheutua takapotku.
- ◆ **Älä kiinnitä työkaluun sahanterää.** Muutoin aiheutuu helposti takapotku tai hallinnan menetys.

Varoitukset hiomiseen ja katkaisutoimenpiteisiin:

- ◆ **Käytä vain sähkötyökalulle suositeltuja laikkoja ja niitä varten tarkoitettuja suojuksia.** Jos sähkötyökalussa

käytetään laikkoja, joita ei ole tarkoitettu käytettäväksi siinä, niitä ei voi suojata kunnolla, joten ne aiheuttavat vaaran.

- ◆ **Keskelle painettujen laikkojen hiomapinta on asennettava suojakaistaleen tason alapuolelle.** Virheellisesti asennettua laikkaa, joka näkyy suojakaistaleen tason läpi, ei voida suojata oikeoppisesti.
- ◆ **Suojos on kiinnitettävä sähkötyökaluun kunnolla ja asetettava turvalliseen asentoon, jotta mahdollisimman pieni osa laikasta jää näkyviin.** Suoja estää rikkoutuneiden laikan sirujen sinkoamisen, koskettamisen vahingossa laikkaan ja vaaratuksen syyntymisen kipinöiden vuoksi.
- ◆ **Käytä laikkoja vain niille suositeltuihin käytötarkoituksiin.** Esimerkki: **Älä käytä katkaisulaikkaa hiomiseen.** Hiovat katkaisulaikat on tarkoitettu hiomiseen. Niiden aiheuttamat sivusuuntaiset voimat voivat saada laikan rikkoutumaan.
- ◆ **Käytä aina oikean kokoisia ja muotoisia ehjiä hiomalaikkoja.** Tällöin laikan rikkoutuminen vaara vähenee. Katkaisulaikat voivat olla erilaisia kuin hiomalaikat.
- ◆ **Älä käytä suuremmissa sähkötyökaluissa käytettyjä kuluneita laikkoja.** Suurempien sähkötyökalujen laikat eivät kestä pienemmän työkalun suurempaa nopeutta, joten ne voivat särkyä.

Lisäturvavaroitukset laikkakatkaisuun

- ◆ **Älä jumita katkaisulaikkaa äläkä paina sitä liian voimakkaasti. Älä yritä leikata liian syvälle.** Laikan voimakas painaminen kasvattaa kuormitusta ja allistaa vääntymiselle tai laipan jumiumiselle leikkauskohtaan, sekä lisää takapotkun ja laikan rikkoutumisen vaaraa.
- ◆ **Älä aseta vartaloasi suoraan linjaan pyörivään laikkaan nähden äläkä sen taakse.** Kun leikkaava laikka liikkuu pois päin vartalostasi, mahdollinen takapotku voi lennättää pyörivän laikan ja sähkötyökalun suoraan sinua päin.
- ◆ **keskeyty, katkaise työkalusta virta ja pidä sitä paikallaan, kunnes laikka on kokonaan pysähtynyt.** Älä koskaan yritä irrottaa katkaisulaikkaa leikkauskohtadasta, kun laikka vielä pyörii, koska se voi aiheuttaa takapotkun. Selvitä laikan jumiumiseen johtanut syy ja poista se.
- ◆ **Älä käynnistä leikkaustoimintoa, kun laikka on kiinni työstökappaleessa.** Anna laikan saavuttaa täysi nopeus ja aseta se varoen takaisin leikkauskohtaan. Laikka voi taittua, siirtyä ylös tai iskeytyä takaisin, jos sähkötyökalu käynnistetään uudelleen työkappaleessa.
- ◆ **Tue levyjä tai muita suurikokoisia työstökappaleita minimoidaksesi laikan puristumisen ja takapotkun riskin.** Suuret työkappaleet pyrkivät taipumaan omasta

painostaan. Tuet tulee asettaa työkappaleen alapuolelle leikkauslinjan lähelle ja työkappaleen reunan lähelle laikan molemmalla puolella.

- ◆ **Ole erityisen varovainen, jos teet taskun valmiiseen seinään tai muuhun tuntemattomaan paikkaan.** Esin työntävä laikka saattaa leikata kaasui- tai vesiputkia, sähköjohtoja tai esineitä, jotka voivat aiheuttaa takapotkun.

Turvavaroitukset hiontaan

- ◆ **Älä käytä liian suuria hiekkapaperilaikkoja. Noudata hiekkapaperin valinnassa valmistajan antamia suosituksia.** Jos hiomapaperi ulottuu laikan ulkopuolelle, voi aiheutua haavan saamisen, laikan kulumisen tai takapotkun vaara.

Turvavaroitukset kiillotukseen

- ◆ **Älä anna kiillotustyynyn löysien osien tai sen kiinnitysnaurujen pyöriä vapaasti. Katkaise tai kiristä liian pitkät kiinnitysnaurut.** Irtonaiset kiinnitysnaurut voivat tarttua sormiisi tai työstettävään kappaleeseen.

Muiden henkilöiden turvallisuus

- ◆ Tätä laitetta ei ole tarkoitettu sellaisten henkilöiden käyttöön, joilla on fyysisiä tai älyllisiä rajoitteita tai aistirajoitteita, eikä laitteen toimintaan perehtymättömien henkilöiden käyttöön (lapset mukaan luettuina), paitsi valvonnan alaisina, tai jos he ovat saaneet laitteen käyttöön liittyvää opastusta heidän turvallisuudestaan vastaavalta henkilöltä.
- ◆ Lapsia tulee valvoa ja varmistaa, että he eivät leiki laitteella.

Muut riskit.

Myös muut kuin turvavaroituksissa mainitut riskit ovat mahdollisia työkalua käytettäessä. Nämä riskit voivat liittyä muun muassa virheelliseen tai pitkäaikaiseen käyttöön. Tiettyjä jännönsriskejä ei voi välttää, vaikka noudatat kaikkia turvamaarayksisiä ja käytät turvalaitteita. Näitä ovat:

- ◆ **Pyörivien tai liikkuvien osien koskettamisen aiheuttamat vahingot.**
- ◆ **Osia, teriä tai lisävarusteita vaihdettaessa aiheutuneet vahingot.**
- ◆ **Työkalun pitkäaikaisen käytön aiheuttamat vahingot.** Varmista, että pidät säännöllisesti taukoja työkalun pitkäaikaisen käytön aikana.
- ◆ **Kuulon heikkeneminen.**
- ◆ **Työkalua käytettäessä (esimerkiksi puuta, erityisesti tammea, pyökkiä ja MDF-levyjä käsiteltäessä) syntyneen pölyn sisäänhengityksen aiheuttamat terveysriskit.**

Tärinä

Teknisissä tiedoissa ja vaatimustenmukaisuusilmoituksessa ilmoitetut tärinäpäästöarvot on mitattu standardin EN60745 testausmenetelmän mukaisesti, ja niiden avulla voidaan vertailla työkaluja keskenään. Ilmoitettua tärinäpäästöarvoa voi käyttää myös altistumisen alustavaan arviointiin.

Varoitus! Sähkötyökalun käytön aikana mitattu todellinen tärinäpäästöarvo voi poiketa ilmoitetusta tärinäpäästöarvosta työkalun käyttötavan mukaan.

Tärinätasoa voi olla ilmoitettua tasoa suurempi.

Kun tärinälle altistumista arvioidaan sen määrittämiseksi, mitä direktiivin 2002/44/EY mukaisia turvatoimenpiteitä vaaditaan sähkötyökaluja säännöllisesti käyttävien henkilöiden suojelemiseksi, tärinälle altistumisen arvioinnissa on otettava huomioon todelliset käyttöolosuhteet ja työkalun käyttötavat. Todellisen käytön lisäksi on kiinnitettävä huomiota myös siihen, milloin työkalu on sammutettuna tai se käy tyhjäkäynnillä.

Työkalun tarrat

Työkaluun on merkitty päivämääräkoodi sekä seuraavat varoitusmerkinät:



Varoitus! Käyttäjän on luettava käyttöohje vahinkojen välttämiseksi.



Käytä suoja- tai turvalaseja, kun käytät työkalua.



Käytä kuulosuojaimia, kun käytät työkalua.

Sähköturvallisuus



Tämä työkalu on kaksoiseristetty, joten erillistä maadoitusta ei tarvita. Tarkista aina, että verkkovirran jännite vastaa tyyppikilpeen merkittyä jännitettä.

- ◆ Jos virtajohto vahingoittuu, sen vaihtaminen on turvallisuussyistä jätettävä valmistajan tai valtuutetun BLACK+DECKER-huollon tehtäväksi.

Yleiskuvasu

Tässä työkalussa on joitakin tai kaikki seuraavista ominaisuuksista.

1. Virtakytkin
2. Sivukahva
3. Karan lukko
4. Suojus

Asennus

Varoitus! Varmista ennen kokoamista, että virta on katkaistu ja että virtajohto on irti pistorasiasta.

Suojuksen kiinnittäminen ja irrottaminen (kuva A)

Työkalun mukana toimitetaan suojuus, joka on tarkoitettu vain hiontaa varten. Jos laitetta aiotaan käyttää leikkaamiseen, on asennettava leikkaamista varten tarkoitettu suojuus. Leikkaamiseen soveltuvat suojuukset (tuotenumero 1004702-27 ja 1004702-28) malleihin KG711/KG911 ja KG912/KG752 on saatavilla BLACK+DECKER -huoltoliikkeistä.

Suojuksen kiinnittäminen ja irrottaminen (kuva A) Ainoastaan KG912

Työkalun mukana toimitetaan suojuus, joka on tarkoitettu vain katkaisua varten. Jos laitetta aiotaan käyttää hiomiseen, on asennettava hiomista varten tarkoitettu suojuus. Hiomiseen sopiva suojuus (osanumero 1004702-36) on saatavana BLACK & DECKER -huoltoliikkeistä.

Kiinnittäminen

- ◆ Aseta kulmahiomakone pöydälle kara (5) ylöspäin.
- ◆ Kohdistat korvakkeet (8) loviin (9).
- ◆ Paina suojuus (4) alas ja käännä se vaadittavaan asentoon.
- ◆ Kiristä kiinnitysruuvi (6) paikalleen.
- ◆ Poista suojuus ruuvia löysäämällä

Varoitus! Älä koskaan käytä työkalua ilman suojuusta.

Sivukahvan kiinnittäminen

- ◆ Ruuvaa sivukahva (2) yhteen työkalun kiinnitysreistä.

Varoitus! Käytä aina sivukahvaa.

Hioma- tai leikkauslaikan kiinnittäminen ja irrottaminen (kuvat B-D)

Käytä aina työhösi sopivaa laikkatyyppiä. Käytä aina laikkaa, jolla on oikea halkaisija ja sisäläpimitä (katso Tekniset tiedot).

Kiinnittäminen

- ◆ Aseta suojuus paikalleen yllä kuvatulla tavalla.
- ◆ Aseta sisälaippa (10) karaan (5) kuvan B mukaisesti. Varmista, että laippa on asetettu oikein karan tasaisille pinnoille.
- ◆ Aseta laikka (11) karaan (5) kuvan B mukaisesti. Jos laikka on korotettu keskusta (12), varmista, että keskusta on sisälaipan puolella.
- ◆ Varmista, että laikka on asetettu sisälaipalle oikein.
- ◆ Aseta ulkolaippa (13) karaan. Hiomalaiikkaa kiinnitettäessä ulkolaipan korotettu keskusta täytyy olla laikan puolella (kohta A kuvassa C). Leikkauslaiikkaa kiinnitettäessä ulkolaipan korotettu keskusta täytyy olla laikasta pois päin (kohta B kuvassa C).
- ◆ Pidä karalukkoa (3) painettuna ja kiristä ulkolaippa sakara-avainta (14) käyttäen (kuva D).

Irrottaminen

- ◆ Pidä karalukko (3) painettuna ja löysää ulkolaippaa (13) sakara-avaimella (14) (kuva D).
- ◆ Poista ulkolaippa (13) ja laikka (11).

Hiekkapaperilaikkojen kiinnittäminen ja irrottaminen (kuvat D ja E)

Tukilaiipan käyttäminen on pakollista hionnassa. Tukilaippoja on saatavana lisävarusteena BLACK+DECKER -jälleenmyyjiltä.

Kiinnittäminen

- ◆ Aseta sisälaippa (10) karaan (5) kuvan E mukaisesti. Varmista, että laippa on asetettu oikein karan tasaisille pinnoille.
- ◆ Aseta tukilaippa (15) karaan.
- ◆ Aseta hiekkapaperilaikka (16) tukilaiपालle.
- ◆ Aseta ulkolaippa (13) karaan siten, että sen korotettu keskusta on pois päin laikasta.
- ◆ Pidä karalukkoa (3) painettuna ja kiristä ulkolaippa sakara-avainta (14) käyttäen (kuva D). Varmista, että ulkolaippa on kiinnitetty oikein ja että laikka on tiukasti paikallaan.

Irrottaminen

- ◆ Pidä karalukko (3) painettuna ja löysää ulkolaippaa (13) sakara-avaimella (14) (kuva D).
- ◆ Poista ulkolaippa (13), hiekkapaperilaikka (16) ja tukilaippa (15).

Käyttö

Varoitus! Anna työkalun käydä omaan tahtiinsa. Älä ylikuormita sitä.

- ◆ Ohjaa kaapeli siten, ettei vahingossa leikkaa sitä.
- ◆ Valmistaudu kipinävirtaan hioma- tai leikkulaikan koskettaessa työstökappaletta.
- ◆ Aseta työkalu aina siten, että suojuus antaa optimaalisen suojan hioma- tai leikkulaikalta.

Käynnistäminen ja pysäyttäminen

- ◆ Käynnistä laite painamalla virtakytkintä (1) eteenpäin. Huomioi, että työkalu jää päälle vapauttaessasi kytkimen.
- ◆ Sammuta työkalu painamalla virtakytkimen takaosaa.

Varoitus! Älä sammuta työkalua sen ollessa kuormitettuna.

Pehmeä käynnistys

Pehmeä käynnistys estää laitteen hallinnan menettämisen käynnistettäessä. Tästä ominaisuudesta on hyötyä varsinkin ahtaissa paikoissa.

No-Volt-toiminto

No-volt-toiminto estää hiomakoneen uudelleen käynnistymisen ilman kytkintä, jos virransyötössä tapahtuu keskeytys.

Vinkkejä parhaimman tuloksen saavuttamiseksi

- ◆ Pidä työkalusta tiukasti kiinni toisella kädellä sivukahvasta ja toisella pääkahvasta.
- ◆ Pidä hionnassa aina noin 15°:een kulma laikan ja työstökappaleen pinnan välillä.

Huolto

Verkkojohdolla varustettu tai verkkojohdoton BLACK+DECKER-laite on suunniteltu toimimaan mahdollisimman kauan mahdollisimman vähällä huollolla. Oikea käsittely ja säännöllinen puhdistus varmistavat laitteen ongelmattoman toiminnan.

Varoitus! Ennen verkkojohdolla varustetun tai verkkojohdoton sähkötyökalun huoltoa toimi seuraavasti:

- ◆ Sammuta laite/työkalu ja irrota se verkkovirrasta.
- ◆ Jos laitteessa/työkalussa on erillinen akku, sammuta laite/työkalu ja irrota sen akku.
- ◆ Jos akku on kiinteä, käytä akku täysin loppuun ja sammuta laite sitten.
- ◆ Irrota laturi pistorasiasta ennen laturin puhdistamista. Laturi ei tarvitse säännöllisen puhdistamisen lisäksi mitään muuta huoltoa.
- ◆ Puhdista laitteen/työkalun/laturin ilma-aukot säännöllisesti pehmeällä harjalla tai kuivalla kangasliinalla.
- ◆ Puhdista moottorin kotelo säännöllisesti kostealla rätillä. Älä käytä hankaavia tai liuotinpohjaisia puhdistusaineita.
- ◆ Avaa istukka säännöllisesti ja naputtele pöly pois sen sisältä (soveltuvin osin).

Ympäristönsuojelu



Toimita tämä laite erilliskeräykseen. Tällä symbolilla merkityjä tuotteita ja akkuja ei saa hävittää tavallisen kotitalousjätteen mukana.

Tuotteissa ja akuissa on materiaaleja, jotka voidaan ottaa talteen tai kierrättää uudelleen käyttöä varten. Kierrätä sähkölaitteet ja akut paikallisten määräyksien mukaan.

Tekniset tiedot

		KG711 (Tyyppi 1)
Syöttöjännite	V _{AC}	230
Ottoteho	W	750
Nimellisa nopeus	min ⁻¹	12 000
Laikan halkaisija	mm	115
Laikan sisäläpimitta	mm	22
Laikan maksimipaksuus		
hiomalaiikat	mm	6
katkaisulaikat	mm	3,5
Karan koko		M14
Paino	kg	2

		KG911-KG912-KG752 (Tyyppi 1)
Syöttöjännite	V _{AC}	230
Ottoteho	W	KG911, KG912 = 900 W KG752 = 800 W
Nimellisa nopeus	min ⁻¹	12 000
Laikan halkaisija	mm	KG711, KG911 = 115 KG912, KG752 = 125
Laikan sisäläpimitta	mm	22
Laikan maksimipaksuus		
hiomalaiikat	mm	6
katkaisulaikat	mm	3,5
Karan koko		M14
Paino	kg	KG711, KG911, KG752 = 2,1 KG912 = 2,2

KG711, KG911, KG912	
L _{PA} (äänenpaine)	92,6 dB(A), epävarmuus (K) 3 dB(A)
L _{WA} (äänitehotaso)	103,6 dB(A), epävarmuus (K) 3 dB(A)
Tärinän kokonaisarvot (vektorisumma) standardin EN60745 mukaisesti:	
Pintahionta (a _{h,SG})	9,9 m/s ² , epävarmuus (K) 1,5 m/s ²
Leikkaaminen (a _v)	4,6 m/s ² , epävarmuus (K) 1,5 m/s ²
Kiillottaminen (a _{h,p})	4,5 m/s ² , epävarmuus (K) 1,5 m/s ²
Laikkahionta (a _{h,DS})	9,6 m/s ² , epävarmuus (K) 1,5 m/s ²

KG752
L_{pA} (äänenpaine) 94,5 dB(A), epävarmuus (K) 3 dB(A)
L_{WA} (äänitehotaso) 105,5 dB(A), epävarmuus (K) 3 dB(A)
Tärinän kokonaisarvot (vektorisumma) standardin EN60745 mukaisesti:
Pintahionta ($a_{h,SG}$) 9,9 m/s ² , epävarmuus (K) 1,5 m/s ²
Leikkaaminen ($a_{h,P}$) 9,1 m/s ² , epävarmuus (K) 1,5 m/s ²
Kiillottaminen ($a_{h,P}$) 5,0 m/s ² , epävarmuus (K) 1,5 m/s ²
Laikkahionta ($a_{h,DS}$) 3,3 m/s ² , epävarmuus (K) 1,5 m/s ²

EY-vaatimustenmukaisuusvakuutus

KONEDIREKTIIVI



KG711, KG911, KG912, KG752 Kulmahiomakoneet
Black & Decker ilmoittaa, että tuotteet, jotka on kuvattu
kohdassa Tekniset tiedot, täyttävät seuraavien direktiivien
vaatimukset:

2006/42/EY, EN60745-1:2009 +A11:2010;
EN60745-2-3:2011 +A2:2013 +A11:2014 +A12:2014

Nämä tuotteet täyttävät myös direktiivien 2004/108/EY
(19.4.2016 saakka), 2014/30/EU (20.4.2016 alkaen) ja
2011/65/EU vaatimukset. Saat lisätietoja ottamalla yhteyden
Black & Deckeriin. Osoitteet näkyvät käyttöohjeen takasivulla

Allekirjoittanut vastaa teknisten tietojen kokoamisesta tehden
tämän ilmoituksen Black & Deckerin puolesta.

Teknisen osaston johtaja
Black & Decker Europe, 210 Bath Road, Slough,
Berkshire, SL1 3YD, Iso-Britannia
18.11.2015

Takuu

Black & Decker on vakuuttunut tuotteidensa laadusta ja tarjoaa kuluttajille 24 kuukauden takuun, joka astuu voimaan ostopäivänä. Takuu on lisäys kuluttajan laillisiin oikeuksiin eikä vaikuta niihin. Tämä takuu on voimassa kaikissa EU- ja ETA-maissa. Edellytyksenä takuun saamiselle on, että vaade täyttää Black & Deckerin ehdot ja ostotosite esitetään jälleenvyyjälle tai valtuutetulle huoltoliikkeelle.

Black & Deckerin kahden vuoden takuun ehdot ja lähimmän valtuutetun korjauspalvelun yhteystiedot ovat saatavilla osoitteessa www.2helpU.com tai ottamalla yhteyttä paikalliseen Black & Decker -toimipisteeseen tässä ohjekirjassa ilmoitettuihin osoitteisiin.

Käy verkkosivuillemme osoitteessa www.blackanddecker.fi ja rekisteröi uusi Black & Decker -tuotteesi saadaksesi tietoa uusista tuotteista ja erikoistarjouksista.

Προβλεπόμενη χρήση

Οι γωνιακοί τροχοί BLACK+DECKER KG711, KG911, KG912 και KG752 έχουν σχεδιαστεί για τρύχισμα-λείανση και κοπή μετάλλων και ειδών τοιχοποιίας με χρήση του κατάλληλου δίσκου κοπής ή τρύχισματος. Όταν είναι εξοπλισμένοι με κατάλληλο προστατευτικό, αυτό το εργαλείο προορίζεται μόνο για ερασιτεχνική χρήση.

Οδηγίες ασφαλείας

Γενικές προειδοποιήσεις ασφαλείας για ηλεκτρικά εργαλεία



Προειδοποίηση! Διαβάστε όλες τις προειδοποιήσεις ασφαλείας και όλες τις οδηγίες. Η μη τήρηση των παρακάτω προειδοποιήσεων και οδηγιών μπορεί να προκαλέσει ηλεκτροπληξία, πυρκαγιά ή/και σοβαρούς τραυματισμούς.

Φυλάξτε όλες τις προειδοποιήσεις και τις οδηγίες για μελλοντική αναφορά. Ο χαρακτηρισμός "ηλεκτρικό εργαλείο" που χρησιμοποιείται σε όλες τις παρακάτω προειδοποιήσεις αφορά είτε το εργαλείο που λειτουργεί με ρεύμα δικτύου (με καλώδιο) είτε το εργαλείο που λειτουργεί με μπαταρία (χωρίς καλώδιο).

1. Ασφάλεια χώρου εργασίας

- α. Διατηρείτε το χώρο εργασίας καθαρό και καλά φωτισμένο. Οι ατακτοποιητοί ή σκοτεινοί χώροι γίνονται αιτίες ατυχημάτων.
- β. Μη χρησιμοποιείτε ηλεκτρικά εργαλεία σε περιβάλλον όπου υπάρχει κίνδυνος έκρηξης, όπως με παρουσία εύφλεκτων υγρών, αερίων ή σκόνης. Τα ηλεκτρικά εργαλεία παράγουν σπινθήρες που μπορεί να προκαλέσουν ανάφλεξη της σκόνης ή των αναθυμιάσεων.
- γ. Όταν χρησιμοποιείτε ηλεκτρικό εργαλείο, κρατάτε τα παιδιά και άλλα άτομα μακριά. Παράγοντες που αποσπούν την προσοχή μπορεί να σας κάνουν να χάσετε τον έλεγχο.

2. Ασφαλής χρήση ηλεκτρικού ρεύματος

- α. Τα φως των ηλεκτρικών εργαλείων πρέπει να ταιριάζουν στην πρίζα. Δεν επιτρέπεται με κανέναν τρόπο η μετασκευή του φως. Μη χρησιμοποιείτε προσαρμοστικά φως με γειωμένα ηλεκτρικά εργαλεία. Τα φως που δεν έχουν υποστεί τροποποιήσεις και οι κατάλληλες πρίζες μειώνουν τον κίνδυνο ηλεκτροπληξίας.
- β. Αποφεύγετε την επαφή του σώματός σας με γειωμένες επιφάνειες, όπως σωλήνες, καλοριφέρ, κουζίνες και ψυγεία. Υπάρχει αυξημένος κίνδυνος ηλεκτροπληξίας αν το σώμα σας είναι γειωμένο.

- γ. Μη εκθέτετε τα ηλεκτρικά εργαλεία σε βροχή ή υγρασία. Η εισχώρηση νερού σε ηλεκτρικό εργαλείο αυξάνει τον κίνδυνο ηλεκτροπληξίας.
- δ. Μη κακομεταχειριζόμαστε το καλώδιο. Μη χρησιμοποιείτε ποτέ το καλώδιο για να μεταφέρετε το εργαλείο, να το τραβήξετε ή να το αποσυνδέσετε από την πρίζα. Κρατάτε το καλώδιο μακριά από θερμότητα, λάδια, αιχμηρά άκρα ή κινούμενα μέρη. Τα καλώδια που έχουν υποστεί ζημιά ή είναι μπερδεμένα αυξάνουν τον κίνδυνο ηλεκτροπληξίας.
- ε. Όταν χρησιμοποιείτε ηλεκτρικό εργαλείο σε εξωτερικούς χώρους, να χρησιμοποιείτε πάντοτε καλώδιο επέκτασης κατάλληλο για εργασία σε εξωτερικούς χώρους. Η χρήση καλωδίου κατάλληλου για εργασία σε εξωτερικούς χώρους μειώνει τον κίνδυνο ηλεκτροπληξίας.
- στ. Εάν είναι αναπόφευκτη η χρήση ενός ηλεκτρικού εργαλείου σε συνθήκες υγρασίας, χρησιμοποιήστε μια διάταξη προστασίας από ρεύμα διαρροής (RCD). Η χρήση μιας διάταξης RCD μειώνει τον κίνδυνο ηλεκτροπληξίας.

3. Προσωπική ασφάλεια

- α. Όταν χρησιμοποιείτε ηλεκτρικό εργαλείο, να είστε σε εγρήγορση, να συγκεντρώνετε στην εργασία που κάνετε και να επιστρατεύετε την κοινή λογική. Μη χρησιμοποιείτε ηλεκτρικό εργαλείο όταν είστε κουρασμένος/ή ή υπό την επήρεια ναρκωτικών, οινοπνεύματος ή φαρμακευτικής αγωγής. Μια στιγμή απροσεξίας κατά τη χρήση ηλεκτρικών εργαλείων μπορεί να προκαλέσει σοβαρό τραυματισμό.
- β. Να χρησιμοποιείτε ατομικό εξοπλισμό προστασίας. Πάντα φοράτε προστασία ματιών. Ο εξοπλισμός προστασίας, όπως μάσκα κατά της σκόνης, αντιοιολιθητικά παπούτσια ασφαλείας, κράνος ή προστασία ακοής, όταν χρησιμοποιείται για τις κατάλληλες συνθήκες, θα μειώσει τους τραυματισμούς.
- γ. Αποτρέψτε την ακούσια ενεργοποίηση. Βεβαιωθείτε ότι ο διακόπτης λειτουργίας βρίσκεται στη θέση απενεργοποίησης πριν συνδέσετε το εργαλείο στην πηγή ρεύματος και/ή τοποθετήσετε το πακέτο μπαταρίας, πριν πάρετε ή μεταφέρετε το εργαλείο. Η μεταφορά ηλεκτρικών εργαλείων με το δάχτυλο πάνω στο διακόπτη ή η σύνδεση στο ρεύμα ηλεκτρικών εργαλείων με το διακόπτη στη θέση ενεργοποίησης, ενέχει κινδύνους πρόκλησης ατυχημάτων.
- δ. Πριν θέσετε το ηλεκτρικό εργαλείο σε λειτουργία, αφαιρέστε τυχόν εργαλεία ή κλειδιά ρύθμισης. Αν παραμείνει μηχανικό κλειδί ή κλειδί ρύθμισης συνδεδεμένο σε περιστρεφόμενο εξάρτημα του ηλεκτρικού εργαλείου, αυτό μπορεί να έχει ως αποτέλεσμα τραυματισμό ατόμων.

- ε. Μην τεντώνεστε υπερβολικά. Διατηρείτε πάντα σταθερή στήριξη στα πόδια σας και καλή ισορροπία. Έτσι μπορείτε να έχετε καλύτερο έλεγχο του ηλεκτρικού εργαλείου σε μη αναμενόμενες καταστάσεις.
- στ. Φοράτε κατάλληλη ενδυμασία εργασίας. Μη φοράτε ρούχα με χαλαρή εφαρμογή ούτε κοσμήματα. Κρατάτε τα μαλλιά, τα ρούχα και τα γάντια σας μακριά από κινούμενα μέρη. Τα χαλαρά ρούχα, τα κοσμήματα και τα μακριά μαλλιά μπορούν να πιαστούν σε κινούμενα μέρη.
- ζ. Αν παρέχονται διατάξεις για τη σύνδεση συστημάτων απομάκρυνσης και συλλογής της σκόνης, βεβαιωθείτε ότι αυτές είναι συνδεδεμένες και χρησιμοποιούνται κατάλληλα. Η χρήση διατάξεων συλλογής της σκόνης μπορεί να μειώσει τους κινδύνους που προέρχονται από τη σκόνη.
4. Χρήση και φροντίδα ηλεκτρικών εργαλείων
- α. Μην υπερφορτώνετε το ηλεκτρικό εργαλείο. Χρησιμοποιείτε το σωστό ηλεκτρικό εργαλείο για την εκάστοτε εφαρμογή. Το σωστό ηλεκτρικό εργαλείο θα εκτελέσει την εργασία καλύτερα και ασφαλέστερα, με την ένταση χρήσης για την οποία σχεδιάστηκε.
- β. Μη χρησιμοποιήσετε ηλεκτρικό εργαλείο αν ο διακόπτης του δεν μπορεί να ενεργοποιηθεί και απενεργοποιηθεί. Ένα ηλεκτρικό εργαλείο του οποίου η λειτουργία δεν μπορεί να ελεγχθεί με το διακόπτη είναι επικίνδυνο και πρέπει να επισκευαστεί.
- γ. Αποσυνδέστε το φως από την πηγή ρεύματος και/ή το πακέτο μπαταρίας από το ηλεκτρικό εργαλείο, πριν διεξάγετε οποιαδήποτε ρύθμιση, αλλαγή αξεσουάρ ή όταν πρόκειται να αποθηκεύσετε το ηλεκτρικό εργαλείο. Τέτοια προληπτικά μέτρα ασφαλείας μειώνουν το κίνδυνο αβέλτηρης εκκίνησης του ηλεκτρικού εργαλείου.
- δ. Να φυλάσσετε μακριά από παιδιά τα ηλεκτρικά εργαλεία που δεν χρησιμοποιείτε. Μην αφήνετε να χρησιμοποιήσουν ηλεκτρικό εργαλείο άτομα που δεν είναι εξοικειωμένα με αυτό ή άτομα που δεν έχουν διαβάσει αυτές τις οδηγίες χρήσης. Τα ηλεκτρικά εργαλεία είναι επικίνδυνα στα χέρια μη εκπαιδευμένων χρηστών.
- ε. Να συντηρείτε τα ηλεκτρικά εργαλεία. Ελέγχετε για προβλήματα ευθυγράμμισης ή μάγκωμα των κινούμενων εξαρτημάτων, θραύση εξαρτημάτων, καθώς και για οποιοδήποτε άλλο πρόβλημα μπορεί να επηρεάσει τη λειτουργία των ηλεκτρικών εργαλείων. Αν το εργαλείο έχει υποστεί ζημιά, φροντίστε να επισκευαστεί πριν το χρησιμοποιήσετε. Η ανεπαρκής συντήρηση των ηλεκτρικών εργαλείων αποτελεί αιτία πολλών ατυχημάτων.
- στ. Διατηρείτε τα κοπτικά εργαλεία κοφτερά και καθαρά. Τα κοπτικά εργαλεία με αιχμηρά κοπτικά άκρα που συντηρούνται σωστά έχουν λιγότερες πιθανότητες να μπλοκάρουν και ελέγχονται ευκολότερα.

- ζ. Να χρησιμοποιείτε το ηλεκτρικό εργαλείο, τα αξεσουάρ και τις μύτες των εργαλείων κλπ. σύμφωνα με τις παρούσες οδηγίες, λαμβάνοντας υπόψη σας τις συνθήκες εργασίας και την εργασία που θέλετε να εκτελέσετε. Η χρήση του ηλεκτρικού εργαλείου για εργασίες διαφορετικές από τις προβλεπόμενες θα μπορούσε να οδηγήσει σε επικίνδυνη κατάσταση.

5. Σέρβις

- α. Το σέρβις του ηλεκτρικού σας εργαλείου πρέπει να αναλαμβάνει έμπειρος τεχνικός που χρησιμοποιεί μόνο γνήσια ανταλλακτικά. Έτσι θα εξασφαλίσετε τη διατήρηση της ασφάλειας του ηλεκτρικού εργαλείου.

Πρόσθετες προειδοποιήσεις ασφαλείας για ηλεκτρικά εργαλεία



Προειδοποίηση! Πρόσθετες προειδοποιήσεις ασφαλείας για εργασίες τροχίσματος, γυαλοχαρτίσματος, γυαλισματος ή κοπής με λείανση

- ◆ Αυτό το ηλεκτρικό εργαλείο προορίζεται για εργασίες τροχίσματος, γυαλοχαρτίσματος, γυαλισματος ή κοπής. Διαβάστε όλες τις προειδοποιήσεις ασφαλείας, τις οδηγίες, τις απεικονίσεις και τις προδιαγραφές που συνοδεύουν αυτό το ηλεκτρικό εργαλείο. Η μη τήρηση οποιασδήποτε από τις οδηγίες που αναφέρονται πιο κάτω μπορεί να έχει ως αποτέλεσμα ηλεκτροπληξία, πυρκαγιά και/ή σοβαρό τραυματισμό.
- ◆ Οι εργασίες για τις οποίες δεν έχει σχεδιαστεί το εργαλείο μπορεί να δημιουργήσουν κίνδυνο και να προκαλέσουν σωματική βλάβη.
- ◆ Μη χρησιμοποιείτε αξεσουάρ τα οποία δεν είναι ειδικά σχεδιασμένα και δεν συνιστώνται από τον κατασκευαστή του εργαλείου. Απλά επειδή το αξεσουάρ μπορεί να προσαρτηθεί στο ηλεκτρικό σας εργαλείο, αυτό δεν εξασφαλίζει την ασφαλή λειτουργία.
- ◆ Η ονομαστική ταχύτητα του αξεσουάρ πρέπει να είναι τουλάχιστον ίση με τη μέγιστη ταχύτητα που είναι εισηγημένη πάνω στο ηλεκτρικό εργαλείο. Αξεσουάρ που περιστρέφονται ταχύτερα από την ονομαστική τους ταχύτητα μπορεί να σπαστούν και τα θραύσματά τους να εκτιναχθούν.
- ◆ Η εξωτερική διάμετρος και το πάχος του αξεσουάρ σας πρέπει να είναι εντός της ονομαστικής χωρητικότητας του ηλεκτρικού εργαλείου σας. Δεν είναι εφικτή η επαρκής προφύλαξη ή έλεγχος για αξεσουάρ λανθασμένου μεγέθους.
- ◆ Η βιδωτή βάση των αξεσουάρ πρέπει να ταιριάζει με το σπείρωμα του άξονα του εργαλείου τροχού. Για αξεσουάρ που στερεώνονται με φλάντζες, η οπή

ατράκτου του αξεσουάρ πρέπει να ταιριάζει με τη διάμετρο τοποθέτησης της φλάντζας. Αξεσουάρ που δεν ταιριάζουν με τα υλικά στερέωσης του ηλεκτρικού εργαλείου θα κινούνται εκτός ζυγοστάθμισης, θα δονούνται υπερβολικά και μπορεί να γίνουν αιτία απώλειας του ελέγχου.

- ◆ **Μη χρησιμοποιήσετε αξεσουάρ που έχει υποστεί ζημιά.** Πριν από κάθε χρήση επιθεωρείτε το αξεσουάρ, όπως είναι οι τροχοί λείανσης, για εκλεπίσεις και ρωγμές, το πέλμα στήριξης τους για ρωγμές, σχίσσιμο ή υπερβολική φθορά. Αν πέσει κάτω το ηλεκτρικό εργαλείο ή το αξεσουάρ, ελέγξτε το αξεσουάρ προσεκτικά για ζημιά ή εγκαταστήστε αξεσουάρ που δεν έχει υποστεί ζημιά. Μετά την επιθεώρηση και την εγκατάσταση ενός αξεσουάρ, εξείς και τυχόν παρευρισκόμενα άτομα πρέπει να πάρετε θέση μακριά από το επίπεδο περιστροφής της λεπίδας και να λειτουργήσετε το ηλεκτρικό εργαλείο στη μέγιστη ταχύτητα χωρίς φορτίο για ένα λεπτό. Τα αξεσουάρ που έχουν υποστεί ζημιά κανονικά θα διαλυθούν στη διάρκεια αυτού του χρόνου δοκιμής.
- ◆ **Φοράτε ατομικό εξοπλισμό προστασίας.** Ανάλογα με την εφαρμογή, χρησιμοποιείτε προστατευτικό πρόσωπου, ειδικά προστατευτικά γυαλιά ή γυαλιά ασφαλείας. Φοράτε, όπως ενδεικνύεται, μάσκα κατά της σκόνης, προστατευτικά ακοής, γάντια και ποδιά συνεργείου ικανή να σταματά θραύσματα από τον τροχό λείανσης ή το τεμάχιο εργασίας. Τα προστατευτικά ματιών πρέπει να έχουν την ικανότητα να σταματούν εκτινασσόμενα σωματίδια που παράγονται από διάφορες εργασίες. Η μάσκα ή η αναπνευστική συσκευή πρέπει να έχει την ικανότητα να φιλτράρει σωματίδια που παράγονται από την εργασία σας. Η παρατεταμένη έκθεση σε θόρυβο υψηλής έντασης μπορεί να προκαλέσει μόνιμη βλάβη της ακοής.
- ◆ **Κρατάτε τους παρευρισκόμενους σε ασφαλή απόσταση από την περιοχή εργασίας.** Οποιοσδήποτε εισέρχεται στην περιοχή εργασίας πρέπει να φορά εξοπλισμό προστασίας. Θραύσματα του τεμαχίου εργασίας ή σπασμένους αξεσουάρ μπορεί να εκτιναχθούν και να προκαλέσουν τραυματισμό πέρα από την άμεση περιοχή όπου εκτελείται η εργασία.
- ◆ **Κρατάτε το ηλεκτρικό εργαλείο από μονωμένες επιφάνειες λαβής όταν εκτελείτε μια εργασία όπου το αξεσουάρ κοπής μπορεί να έρθει σε επαφή με αθέατα καλώδια ή με το ίδιο του το καλώδιο.** Αν αξεσουάρ κοπής έρθει σε επαφή με καλώδιο υπό τάση, μπορεί να τεθούν υπό ηλεκτρική τάση και να εκτεθειμένα μεταλλικά μέρη του ηλεκτρικού εργαλείου και να προκληθεί ηλεκτροπληξία στο χειριστή.
- ◆ **Διευθετήστε το καλώδιο μακριά από το περιστρεφόμενο αξεσουάρ.** Αν χάσετε τον έλεγχο, το

καλώδιο μπορεί να κοπεί ή να πλεχτεί και το κάτω ή το πάνω τμήμα του χεριού σας μπορεί τραβηχτεί πάνω στο περιστρεφόμενο αξεσουάρ.

- ◆ **Ποτέ μην αφήσετε κάτω το ηλεκτρικό εργαλείο αν πρώτα δεν έχει σταματήσει τελείως να κινείται το αξεσουάρ.** Το περιστρεφόμενο αξεσουάρ μπορεί να έρθει σε επαφή με την επιφάνεια και να ακινητοποιηθεί σε αυτή, με αποτέλεσμα το ηλεκτρικό εργαλείο να τραβηχτεί εκτός ελέγχου σας.
- ◆ **Μην έχετε ή θέτετε σε λειτουργία το ηλεκτρικό εργαλείο ενώ το μεταφέρετε στο πλευρό σας.** Τυχόν αθέλητη επαφή με το περιστρεφόμενο αξεσουάρ θα μπορούσε να πιάσει τα ρούχα σας, τραβώντας το αξεσουάρ προς το σώμα σας.
- ◆ **Καθαρίζετε τακτικά τα ανοίγματα αέρα του ηλεκτρικού εργαλείου.** Ο ανεμιστήρας του μοτέρ θα τραβήξει τη σκόνη μέσα στο περιβλημα και η υπερβολικά μεγάλη συγκέντρωση σκόνης μετάλλου μπορεί να προκαλέσει κινδύνους από το ηλεκτρικό ρεύμα.
- ◆ **Μη χρησιμοποιείτε το ηλεκτρικό εργαλείο κοντά σε εύφλεκτα υλικά.** Αυτά τα υλικά θα μπορούσαν να αναφλεγούν από σπινθήρες.
- ◆ **Μη χρησιμοποιείτε αξεσουάρ για τα οποία απαιτείται ψύξη με ψυκτικά υγρά.** Η χρήση νερού ή άλλων υγρών ψυκτικών μπορεί να προκαλέσει ηλεκτροπληξία που ίσως αποβεί θανατηφόρα.

ΣΗΜΕΙΩΣΗ: Η παραπάνω προειδοποίηση δεν έχει εφαρμογή σε ηλεκτρικά εργαλεία που έχουν σχεδιαστεί ειδικά για χρήση με σύστημα υγρού.

Ανάδραση και σχετικές προειδοποιήσεις

Η ανάδραση είναι μια αιφνίδια αντίδραση σε ένα περιστρεφόμενο τροχό, ένα πέλμα στήριξης, μια βούρτσα ή οποιοδήποτε άλλο αξεσουάρ έχει σφηνώσει ή μαγκώσει. Το σφηνώμα ή το μάγκωμα προκαλεί ταχύτατη ακινητοποίηση του περιστρεφόμενου αξεσουάρ, κάτι που κάνει το μη ελεγχόμενο ηλεκτρικό εργαλείο να περιστραφεί σε κατεύθυνση αντίθετη με την κατεύθυνση περιστροφής του αξεσουάρ στο σημείο της ακινητοποίησης.

Για παράδειγμα, αν ένας τροχός λείανσης μαγκώσει ή σφηνώσει στο τεμάχιο εργασίας, το άκρο του τροχού που εισέρχεται στο σημείο του σφηνώματος μπορεί να σκαλώσει στην επιφάνεια του υλικού κάνοντας τον τροχό να ανέβει προς τα έξω ή να πιναχτεί προς τα έξω. Ο τροχός μπορεί να πιναχτεί είτε προς την κατεύθυνση του χειριστή είτε αντίθετα, ανάλογα με την κατεύθυνση κίνησης του τροχού στο σημείο της ακινητοποίησης. Οι τροχοί λείανσης μπορεί επίσης να σπιάσουν υπό αυτές τις συνθήκες.

Η ανάδραση είναι το αποτέλεσμα κακής χρήσης του ηλεκτρικού εργαλείου και/ή λανθασμένων διαδικασιών ή

συνθηκών χειρισμού και μπορεί να αποφευχθεί με τη λήψη κατάλληλων μέτρων προφύλαξης, όπως αναφέρεται πιο κάτω.

- ◆ Διατηρείτε σταθερό κράτημα του ηλεκτρικού εργαλείου και τοποθετείτε το σώμα και το χέρι σας έτσι ώστε να μπορείτε να αντισταθείτε στις δυνάμεις της ανάδρασης. Πάντα να χρησιμοποιείτε τη βοηθητική λαβή, αν παρέχεται, για μέγιστο έλεγχο έναντι της ανάδρασης ή της αντίδρασης στη ροπή που αναπτύσσεται κατά την έναρξη λειτουργίας. Ο χειριστής μπορεί να ελέγξει τις αντιδράσεις στη ροπή ή τις δυνάμεις ανάδρασης, αν λαμβάνονται κατάλληλα μέτρα προφύλαξης.
- ◆ Ποτέ μην τοποθετείτε το χέρι σας κοντά στο περιστρεφόμενο αξεσουάρ. Το αξεσουάρ μπορεί κατά την ανάδραση να κινηθεί πάνω στο χέρι σας.
- ◆ Μην τοποθετείτε το σώμα σας στην περιοχή όπου θα κινηθεί το ηλεκτρικό εργαλείο αν προκύψει ανάδραση. Η ανάδραση θα κινήσει το εργαλείο σε κατεύθυνση αντίθετη με την κίνηση του τροχού στο σημείο της ακινητοποίησης.
- ◆ Προσέχετε ιδιαίτερα όταν επεξεργάζεστε γωνίες, αιχμηρά άκρα κλπ. Αποφεύγετε την αναπήδηση και το μάγκωμα του αξεσουάρ. Οι γωνίες, τα αιχμηρά άκρα ή η αναπήδηση τείνουν να προκαλέσουν μάγκωμα του αξεσουάρ και να προκαλέσουν απώλεια του ελέγχου ή ανάδραση.
- ◆ Μη συνδέσετε στο εργαλείο λεπίδα ξυλογλυπτικής με αλυσίδα ή οδοντωτή λεπίδα πριονιού. Αυτού του είδους οι λεπίδες δημιουργούν συχνή ανάδραση και απώλεια του ελέγχου.

Προειδοποιήσεις ασφαλείας ειδικά για εργασίες τροχίσματος και κοπής με λείανση:

- ◆ Χρησιμοποιείτε μόνο τύπους τροχών που συνιστώνται για το ηλεκτρικό εργαλείο σας και το συγκεκριμένο προστατευτικό που έχει σχεδιαστεί για τον επιλεγμένο τροχό. Για τροχούς για τους οποίους δεν έχει σχεδιαστεί το ηλεκτρικό εργαλείο δεν μπορεί να επιτευχθεί επαρκής προστασία και επομένως αυτοί δεν είναι ασφαλείς.
- ◆ Η επιφάνεια τροχίσματος σε τροχούς βυθισμένου κέντρου πρέπει να τοποθετείται κάτω από το επίπεδο του χείλους του προστατευτικού. Ένας ακατάλληλα τοποθετημένος τροχός που προεξέχει από το επίπεδο του χείλους προφυλακτήρα δεν επιτρέπει επαρκή προστασία.
- ◆ Το προστατευτικό πρέπει να είναι προσαρτημένο στέρεα στο ηλεκτρικό εργαλείο και να έχει ρυθμιστεί η θέση του για μέγιστη ασφάλεια, ώστε ο χειριστής να είναι εκτεθειμένος σε όσο το δυνατόν μικρότερο μέρος του τροχού. Το προστατευτικό βοηθά να προστατεύεται

ο χειριστής από θραύσματα λόγω ενδεχόμενης θραύσης του τροχού, από κατά λάθος επαφή με τον τροχό και από σπινθήρες οι οποίοι θα μπορούσαν να προκαλέσουν ανάφλεξη σε ρουχισμό.

- ◆ Οι τροχοί πρέπει να χρησιμοποιούνται μόνο για τις συνιστώμενες εφαρμογές. Για παράδειγμα: μην τροχίζετε με το πλάι του τροχού κοπής. Οι λειαντικοί τροχοί κοπής προορίζονται για τρόχισμα με την περιφέρεια μόνο και αν εφαρμοστούν πλευρικές δυνάμεις στους τροχούς αυτούς, μπορεί να προκληθεί θραύση τους.
- ◆ Πάντα να χρησιμοποιείτε φλάντζες τροχών που δεν έχουν ζημιές και είναι του σωστού μεγέθους και σχήματος για τον τροχό που έχετε επιλέξει. Οι σωστές φλάντζες τροχού υποστηρίζουν τον τροχό, μειώνοντας έτσι την πιθανότητα θραύσης του. Οι φλάντζες για τροχούς κοπής μπορεί να είναι διαφορετικές από τις φλάντζες για τροχούς τροχίσματος.
- ◆ Μη χρησιμοποιείτε φθαρμένους τροχούς από μεγαλύτερα εργαλεία. Ένας τροχός που προορίζεται για μεγαλύτερο ηλεκτρικό εργαλείο δεν είναι κατάλληλος για τη μεγαλύτερη ταχύτητα ενός μικρότερου εργαλείου και μπορεί να σπάσει.

Πρόσθετες προειδοποιήσεις ασφαλείας για εργασίες λειαντικής αποκοπής

- ◆ Μη “σφηνώνετε” τον τροχό κοπής και μην εφαρμόζετε υπερβολική πίεση. Μην επιχειρείτε να επιτύχετε υπερβολικό βάθος κοπής. Η υπερβολική καταπόνηση του τροχού αυξάνει το φορτίο και την ευπάθεια σε συστροφή ή μάγκωμα του τροχού μέσα στην κοπή και την πιθανότητα ανάδρασης ή θραύσης του τροχού.
- ◆ Μην τοποθετείτε το σώμα σας σε ευθεία με ή πίσω από τον περιστρεφόμενο τροχό. Αν ο τροχός, στο σημείο χρήσης του, κινείται μακριά από το σώμα σας, μια πιθανή ανάδραση (κλώτσημα) μπορεί να κάνει τον περιστρεφόμενο τροχό και το ηλεκτρικό εργαλείο να τιναχτούν κατευθείαν προς το μέρος σας.
- ◆ Όταν μαγκώνει ο τροχός ή όταν διακόπτετε μια κοπή για οποιονδήποτε λόγο, απενεργοποιείτε το ηλεκτρικό εργαλείο και κρατάτε το εργαλείο ακίνητο έως ότου ο τροχός ακινητοποιηθεί τελείως. Ποτέ μην προσπαθήσετε να αφαιρέσετε τον τροχό κοπής από την οπή, ενώ ο τροχός είναι σε κίνηση, διαφορετικά μπορεί να σημειωθεί ανάδραση. Διερευνήστε και πάρτε διορθωτικά μέτρα για να εξαλείψετε το αίτιο του μαγκώματος του τροχού.
- ◆ Μην επανεκκινήσετε την εργασία κοπής από μέσα από το τεμάχιο εργασίας. Αφήστε πρώτα τον τροχό να φθάσει σε πλήρη ταχύτητα και προσεκτικά εισάγετε τον πάλι στην κοπή. Ο τροχός μπορεί

να μαγκώσει, να κινηθεί προς το μέρος σας ή να παρουσιάσει ανάδραση αν το ηλεκτρικό εργαλείο επανεκκινηθεί ενώ είναι μέσα στο τεμάχιο εργασίας.

- ◆ **Να υποστηρίζετε τα μεγάλα φύλλα ή τα υπερμεγέθη τεμάχια εργασίας ώστε να ελαχιστοποιείτε τον κίνδυνο σφηνώματος και ανάδρασης του τροχού.** Τα μεγάλα τεμάχια εργασίας τείνουν να κάμπτονται υπό το ίδιο τους το βάρος. Τα στηρίγματα πρέπει να τοποθετούνται κάτω από το τεμάχιο εργασίας κοντά στη γραμμή κοπής και κοντά στο άκρο του τεμαχίου εργασίας και στις δύο πλευρές του τροχού.
- ◆ **Να είστε εξαιρετικά προσεκτικοί όταν δημιουργείτε “κοπή εσωτερικού ανοίγματος” σε υπάρχοντες τοίχους ή άλλες τυφλές περιοχές.** Ο τροχός που προεξέχει μπορεί να κόψει σωλήνες αερίου ή νερού, ηλεκτρικά καλώδια ή αντικείμενα που μπορεί να προκαλέσουν ανάδραση.

Προειδοποιήσεις ασφαλείας ειδικά για εργασίες γυαλοχαρτίσματος

- ◆ **Μην χρησιμοποιείτε υπερβολικά υπερμεγέθες χαρτί δίσκου γυαλοχαρτίσματος. Τηρήστε τις συστάσεις του κατασκευαστή, κατά την επιλογή γυαλόχαρτου.** Το μεγάλο γυαλόχαρτο που εκτείνεται πέρα από το πέλμα γυαλοχαρτίσματος δημιουργεί κίνδυνο κοψίματος και μπορεί να προκαλέσει μάγκωμα, σχίσιμο του δίσκου ή ανάδραση.

Προειδοποιήσεις ασφαλείας ειδικά για εργασίες γυαλίσματος

- ◆ **Μην επιτρέψετε σε κανένα χαλαρωμένο τμήμα της κεφαλής γυαλίσματος ή των κορδονιών σύνδεσής της να περιστρέφονται ανεξέλεγκτα. Στερεώστε μέσα στην κεφαλή ή κόψτε τυχόν ελεύθερα κορδόνια σύνδεσης.** Τα ελεύθερα κορδόνια σύνδεσης που περιστρέφονται μπορούν να πιάσουν τα δάχτυλά σας ή να πιαστούν στο τεμάχιο εργασίας και να συσφιχτούν.

Ασφάλεια τρίτων

- ◆ Αυτή η συσκευή δεν προορίζεται για χρήση από άτομα (στα οποία περιλαμβάνονται και τα παιδιά) με μειωμένες φυσικές, αντιληπτικές ή διανοητικές ικανότητες ή άτομα χωρίς εμπειρία και γνώσεις, παρά μόνο εφόσον επιτηρούνται ή τους έχουν δοθεί οδηγίες σχετικά με τη χρήση του εργαλείου από άτομο υπεύθυνο για την ασφάλειά τους.
- ◆ Τα παιδιά πρέπει να επιτηρούνται για να διασφαλίζεται ότι δεν παίζουν με τη συσκευή.

Υπολειπόμενοι κίνδυνοι.

Κατά τη χρήση του εργαλείου μπορεί να δημιουργηθούν πρόσθετοι υπολειπόμενοι κίνδυνοι, οι οποίοι ενδέχεται να μη συμπεριλαμβάνονται στις προειδοποιήσεις ασφαλείας που εσωκλείονται. Αυτοί οι κίνδυνοι μπορεί να προκληθούν από κακή χρήση, παρατεταμένη χρήση κλπ. Παρά την εφαρμογή των σχετικών κανονισμών ασφαλείας και τη χρήση διατάξεων ασφαλείας, ορισμένοι υπολειπόμενοι κίνδυνοι δεν είναι δυνατόν να αποφευχθούν. Σ' αυτούς περιλαμβάνονται:

- ◆ **Τραυματισμοί από επαφή με περιστρεφόμενα/κινούμενα μέρη.**
- ◆ **Τραυματισμοί από αλλαγή οποιωνδήποτε εξαρτημάτων, λεπίδων ή αξεσουάρ.**
- ◆ **Σωματικές βλάβες από παρατεταμένη χρήση του εργαλείου. Όταν χρησιμοποιείτε οποιοδήποτε εργαλείο για παρατεταμένα χρονικά διαστήματα, μην παραλείπετε με κανένα τρόπο να κάνετε τακτικά διαλείμματα.**
- ◆ **Βλάβη της ακοής.**
- ◆ **Κίνδυνοι στην υγεία που προκαλούνται από την εισπνοή σκόνης, όταν χρησιμοποιείτε το εργαλείο (παραδείγματα:- όταν επεξεργάζεστε ξύλο, ειδικά δρυ, οξιά και MDF.)**

Κραδασμοί

Η δηλωμένη τιμή εκπομπής κραδασμών που αναφέρεται στα τεχνικά χαρακτηριστικά και τη δήλωση συμμόρφωσης έχει μετρηθεί σύμφωνα με τυποποιημένη μέθοδο δοκιμής που παρέχεται από το πρότυπο EN60745 και μπορεί να χρησιμοποιηθεί για τη σύγκριση ενός εργαλείου με ένα άλλο. Η δηλωμένη τιμή εκπομπής κραδασμών μπορεί επίσης να χρησιμοποιηθεί σε έναν προκαταρκτικό προσδιορισμό της έκθεσης σε κραδασμούς.

Προειδοποίηση! Η τιμή εκπομπής κραδασμών κατά την πραγματική χρήση του ηλεκτρικού εργαλείου μπορεί να διαφέρει από τη δηλωμένη τιμή, ανάλογα με τον τρόπο που χρησιμοποιείται το εργαλείο.

Το επίπεδο κραδασμών μπορεί να αυξηθεί πάνω από το επίπεδο που έχει δηλωθεί.

Κατά τον προσδιορισμό της έκθεσης σε κραδασμούς για τον καθορισμό των απαιτούμενων μέτρων ασφαλείας σύμφωνα με την οδηγία 2002/44/EK για την προστασία προσώπων που χρησιμοποιούν συχνά ηλεκτρικά εργαλεία στην εργασία τους, μια προσεγγιστική εκτίμηση της έκθεσης σε κραδασμούς πρέπει να λαμβάνει υπόψη τις πραγματικές συνθήκες χρήσης και τον τρόπο χρήσης του εργαλείου, συμπεριλαμβανομένων και όλων των επιμέρους τμημάτων του κύκλου εργασίας, όπως πόσες φορές τέθηκε το εργαλείο εκτός λειτουργίας, πότε είναι σε λειτουργία χωρίς φορτίο επιπλέον του χρόνου πίεσης της σκανδάλης.

Ετικέτες πάνω στο εργαλείο

Το εργαλείο φέρει τα παρακάτω εικονογράμματα μαζί με τον κωδικό ημερομηνίας:



Προειδοποίηση! Για να μειωθεί ο κίνδυνος τραυματισμού, ο χρήστης πρέπει να διαβάσει το εγχειρίδιο οδηγιών.



Φοράτε γυαλιά ασφαλείας ή ειδικά προστατευτικά γυαλιά όταν χρησιμοποιείτε αυτό το εργαλείο.



Φοράτε προστασία ακοής όταν χρησιμοποιείτε αυτό το εργαλείο.

Ασφαλής χρήση ηλεκτρικού ρεύματος



Αυτό το εργαλείο φέρει διπλή μόνωση και επομένως δεν απαιτείται καλώδιο γείωσης. Ελέγχετε πάντα ότι η παροχή ρεύματος αντιστοιχεί στην τάση που αναφέρεται στην πινακίδα στοιχείων.

- ♦ Αν το καλώδιο ρεύματος έχει υποστεί φθορά, η αντικατάστασή του πρέπει να γίνει από τον κατασκευαστή ή από ένα εξουσιοδοτημένο κέντρο επισκευών της BLACK+DECKER, ώστε να μην αποτελέσει κίνδυνο.

Χαρακτηριστικά

Αυτό το εργαλείο διαθέτει μερικά από ή όλα τα παρακάτω χαρακτηριστικά.

1. Διακόπτη ενεργοποίησης/απενεργοποίησης (on/off)
2. Πλευρική λαβή
3. Ασφάλεια άξονα
4. Προστατευτικό

Συναρμολόγηση

Προειδοποίηση! Πριν από τη συναρμολόγηση, βεβαιωθείτε ότι το εργαλείο είναι απενεργοποιημένο και ότι το φως δεν είναι συνδεδεμένο στην πρίζα.

Τοποθέτηση και αφαίρεση του προστατευτικού (Εικ. Α)

Το εργαλείο συνοδεύεται από ένα προστατευτικό που προορίζεται για χρήσεις τροχίσματος μόνο. Αν η μονάδα προορίζεται για εκτέλεση εργασιών κοπής, πρέπει να τοποθετηθεί ένα προστατευτικό ειδικό για αυτόν τον τύπο εργασίας. Διατίθενται προστατευτικά κατάλληλα για εργασίες κοπής, με αριθμούς εξαρτήματος 1004702-27 και 1004702-28 για KG711/KG911 και KG912/KG752, τα οποία μπορείτε να προμηθευθείτε από τα κέντρα σέρβις BLACK+DECKER.

Τοποθέτηση και αφαίρεση του προφυλακτήρα (Εικ. Α) μόνο KG912

Το εργαλείο παρέχεται με έναν προφυλακτήρα που προορίζεται μόνο για εργασίες κοπής. Εάν θελήσετε να χρησιμοποιήσετε τη συσκευή για να εκτελέσετε εργασίες λείανσης, πρέπει να τοποθετήσετε έναν ειδικό προφυλακτήρα για αυτή τη χρήση. Ένας κατάλληλος προφυλακτήρας για εργασίες λείανσης με αριθμό εξαρτήματος 1004702-36 διατίθεται και μπορείτε να τον προμηθευθείτε από τα σημεία επισκευής της BLACK & DECKER.

Τοποθέτηση

- ♦ Τοποθετήστε το γωνιακό τροχό πάνω σε ένα τραπέζι με τον άξονα (5) προς τα πάνω.
- ♦ Ευθυγραμμίστε τις προεξοχές (8) με τις εγκοπές (9).
- ♦ Πιέστε το προστατευτικό (4) προς τα κάτω και περιστρέψτε το έως ότου βρεθεί στην απαιτούμενη θέση.
- ♦ Τοποθετήστε και σφίξτε τη βίδα συγκράτησης (6).
- ♦ Για να αφαιρέσετε το προστατευτικό, λασκάρτε τη βίδα

Προειδοποίηση! Μην χρησιμοποιείτε ποτέ το εργαλείο χωρίς το προστατευτικό.

Τοποθέτηση της πλευρικής λαβής

- ♦ Βιδώστε την πλευρική λαβή (2) σε μία από τις οπές στερέωσης στο εργαλείο.

Προειδοποίηση! Χρησιμοποιείτε πάντοτε την πλευρική λαβή.

Τοποθέτηση και αφαίρεση δίσκων τροχίσματος ή κοπής (Εικ. Β - D)

Πάντα να χρησιμοποιείτε το σωστό τύπο δίσκου για την εφαρμογή σας. Χρησιμοποιείτε πάντα δίσκους κατάλληλης διαμέτρου και μεγέθους οπής άξονα (δείτε τα τεχνικά χαρακτηριστικά).

Τοποθέτηση

- ♦ Τοποθετήστε το προστατευτικό όπως περιγράφεται παραπάνω.
- ♦ Τοποθετήστε την εσωτερική φλάντζα (10) στον άξονα (5), όπως φαίνεται στην εικόνα (Εικ. Β). Βεβαιωθείτε ότι η φλάντζα τοποθετείται σωστά στις επίπεδες πλευρές του άξονα.
- ♦ Τοποθετήστε το δίσκο (11) στον άξονα (5), όπως φαίνεται στην εικόνα (Εικ. Β). Εάν ο δίσκος διαθέτει υπερυψωμένο κέντρο (12), βεβαιωθείτε ότι το υπερυψωμένο κέντρο είναι στραμμένο προς την εσωτερική φλάντζα.
- ♦ Βεβαιωθείτε ότι ο δίσκος τοποθετείται σωστά στην εσωτερική φλάντζα.
- ♦ Τοποθετήστε την εξωτερική φλάντζα (13) πάνω στον άξονα. Κατά την τοποθέτηση δίσκου τροχίσματος, το υπερυψωμένο κέντρο στην εξωτερική φλάντζα πρέπει να είναι στραμμένο προς το δίσκο (Α στην Εικ. C). Κατά την

τοποθέτηση δίσκου κοπής, το υπερυψωμένο κέντρο στην εξωτερική φλάντζα πρέπει να βλέπει αντίθετα προς το δίσκο (B στην Εικ. C).

- ◆ Κρατήστε πιεσμένη την ασφάλεια άξονα (3) και σφίξτε την εξωτερική φλάντζα χρησιμοποιώντας το κλειδί δύο πείρων (14) (Εικ. D).

Αφαίρεση

- ◆ Κρατήστε πιεσμένη την ασφάλεια άξονα (3) και λασκάρτε την εξωτερική φλάντζα (13) χρησιμοποιώντας το κλειδί δύο πείρων (14) (Εικ. D).
- ◆ Αφαιρέστε την εξωτερική φλάντζα (13) και το δίσκο (11).

Τοποθέτηση και αφαίρεση δίσκων γυαλοχαρτίσματος (Εικ. D & E)

Για το γυαλοχαρτίσμα, απαιτείται ένα πέλμα στήριξης. Το πέλμα στήριξης είναι διαθέσιμο από τον τοπικό σας αντιπρόσωπο BLACK+DECKER σαν αξεσουάρ.

Τοποθέτηση

- ◆ Τοποθετήστε την εσωτερική φλάντζα (10) στον άξονα (5), όπως φαίνεται στην εικόνα (Εικ. E). Βεβαιωθείτε ότι η φλάντζα τοποθετείται σωστά στις επίπεδες πλευρές του άξονα.
- ◆ Τοποθετήστε το πέλμα στήριξης (15) πάνω στον άξονα.
- ◆ Τοποθετήστε το δίσκο γυαλοχαρτίσματος (16) πάνω στο πέλμα στήριξης.
- ◆ Τοποθετήστε την εξωτερική φλάντζα (13) πάνω στον άξονα με το υπερυψωμένο κέντρο στραμμένο αντίθετα με το δίσκο.
- ◆ Κρατήστε πιεσμένη την ασφάλεια άξονα (3) και σφίξτε την εξωτερική φλάντζα χρησιμοποιώντας το κλειδί δύο πείρων (14) (Εικ. D). Βεβαιωθείτε ότι η εξωτερική φλάντζα έχει τοποθετηθεί σωστά και ότι ο δίσκος είναι καλά σφιγμένος.

Αφαίρεση

- ◆ Κρατήστε πιεσμένη την ασφάλεια άξονα (3) και λασκάρτε την εξωτερική φλάντζα (13) χρησιμοποιώντας το κλειδί δύο πείρων (14) (Εικ. D).
- ◆ Αφαιρέστε την εξωτερική φλάντζα (13), το δίσκο γυαλοχαρτίσματος (16) και το πέλμα στήριξης (15).

Χρήση

Προειδοποίηση! Αφήστε το εργαλείο να λειτουργήσει με το δικό του ρυθμό. Μην το υπερφορτώνετε.

- ◆ Καθοδηγείτε προσεκτικά το καλώδιο για να αποφύγετε να το κόψετε κατά λάθος.
- ◆ Να είστε προετοιμασμένοι για ροή σπινθήρων όταν ο δίσκος τροχίσματος ή κοπής έρθει σε επαφή με το τεμάχιο εργασίας.

- ◆ Πάντα τοποθετείτε το εργαλείο με τέτοιο τρόπο, ώστε το προστατευτικό να παρέχει τη βέλτιστη προστασία από το δίσκο τροχίσματος ή κοπής.

Ενεργοποίηση και απενεργοποίηση

- ◆ Για την ενεργοποίηση, μετακινήστε προς τα μπροστά το διακόπτη ενεργοποίησης/απενεργοποίησης (1). Σημειώστε ότι το εργαλείο θα συνεχίσει να λειτουργεί, όταν απελευθερώσετε το διακόπτη.
- ◆ Για να το απενεργοποιήσετε, πιέστε το πίσω τμήμα του διακόπτη ενεργοποίησης απενεργοποίησης.

Προειδοποίηση! Μην απενεργοποιείτε το εργαλείο ενώ βρίσκεται υπό φορτίο.

Λειτουργία ομαλής εκκίνησης

Η λειτουργία ομαλής εκκίνησης επιτρέπει αργή αύξηση της ταχύτητας ώστε να αποφευχθεί η αρχική ανάδραση κατά την εκκίνηση. Αυτή η δυνατότητα είναι ιδιαίτερα χρήσιμη κατά τη λειτουργία σε περιορισμένους χώρους.

Λειτουργία No-Volt (αποτροπής επανεκκίνησης)

Η λειτουργία No-volt αποτρέπει την επανεκκίνηση του εργαλείου τροχού μετά από αποκατάσταση διακοπής ρεύματος, αν αυτό δεν απενεργοποιηθεί και ενεργοποιηθεί πάλι με το διακόπτη.

Συμβουλές για βέλτιστη χρήση

- ◆ Κρατήστε γερά το εργαλείο με το ένα χέρι γύρω από την πλευρική λαβή και το άλλο γύρω από την κύρια λαβή.
- ◆ Κατά το τρόχισμα, πάντοτε διατηρείτε μια γωνία περ. 15° μεταξύ του δίσκου και της επιφάνειας του τεμαχίου εργασίας.

Συντήρηση

Αυτή η συσκευή/το εργαλείο με καλώδιο/χωρίς καλώδιο της BLACK+DECKER έχει σχεδιαστεί έτσι ώστε να λειτουργεί για μεγάλο χρονικό διάστημα με την ελάχιστη δυνατή συντήρηση. Η συνεχής ικανοποιητική λειτουργία εξαρτάται από τη σωστή φροντίδα και τον τακτικό καθαρισμό του εργαλείου.

Προειδοποίηση! Πριν πραγματοποιήσετε οποιαδήποτε συντήρηση σε ηλεκτρικά εργαλεία με καλώδιο/χωρίς καλώδιο:

- ◆ Απενεργοποιήστε και αποσυνδέστε τη συσκευή/το εργαλείο από την πρίζα.
- ◆ Απενεργοποιήστε και αφαιρέστε το πακέτο μπαταρίας από τη συσκευή/το εργαλείο, εάν η συσκευή/το εργαλείο διαθέτει αφαιρούμενο πακέτο μπαταρίας.
- ◆ Η χρήση/οι χρήσεις της μπαταρίας μέχρι να αδειάσει εντελώς, αν είναι ενσωματωμένη, και στη συνέχεια απενεργοποιήστε.
- ◆ Πριν καθαρίσετε το φορτιστή, αποσυνδέστε τον από την πρίζα. Ο φορτιστής σας δεν χρειάζεται άλλη συντήρηση εκτός του τακτικού καθαρισμού.

- ◆ Να καθαρίζετε τακτικά τις εγκοπές εξαιρισμού της συσκευής/του εργαλείου/του φορτιστή χρησιμοποιώντας μια μαλακή βούρτσα ή ένα στεγνό πανί.
- ◆ Να καθαρίζετε τακτικά το περίβλημα του μοτέρ με ένα ελαφρά υγρό πανί. Μη χρησιμοποιείτε καθαριστικά που χαράζουν ή περιέχουν διαλύτες.
- ◆ Να ανοίγετε τακτικά το τσοκ (όταν είναι τοποθετημένο) και να το χτυπάτε ελαφρά για να αφαιρείτε τη σκόνη από το εσωτερικό του.

Προστασία του περιβάλλοντος



Χωριστή συλλογή. Τα προϊόντα και οι μπαταρίες που επισημαίνονται με αυτό το σύμβολο δεν πρέπει να απορρίπτονται μαζί με τα κανονικά οικιακά απορρίμματα.

Τα προϊόντα και οι μπαταρίες περιέχουν υλικά που μπορούν να ανακτηθούν ή να ανακυκλωθούν ώστε να μειωθούν οι ανάγκες για πρώτες ύλες. Παρακαλούμε να ανακυκλώνετε τα ηλεκτρικά προϊόντα και τις μπαταρίες σύμφωνα με τους τοπικούς κανονισμούς.

Τεχνικά χαρακτηριστικά

		KG711 (Τύπος 1)
Τάση εισόδου	V _{AC}	230
Κατανάλωση ισχύος	W	750
Ονομαστική ταχύτητα	min ⁻¹	12.000
Διάμετρος δίσκου	mm	115
Οπή δίσκου	mm	22
Μέγ. πάχος δίσκου		
δίσκοι τροχίσματος	mm	6
δίσκοι κοπής	mm	3,5
Μέγεθος άξονα		M14
Βάρος	kg	2

		KG911-KG912-KG752 (Τύπος 1)
Τάση εισόδου	V _{AC}	230
Κατανάλωση ισχύος	W	KG911, KG912 = 900W KG752 = 800W
Ονομαστική ταχύτητα	min ⁻¹	12.000
Διάμετρος δίσκου	mm	KG711, KG911 = 115 KG912, KG752 = 125
Οπή δίσκου	mm	22
Μέγ. πάχος δίσκου		
δίσκοι τροχίσματος	mm	6
δίσκοι κοπής	mm	3,5
Μέγεθος άξονα		M14
Βάρος	kg	KG711, KG911, KG752 = 2,1 KG912 = 2,2

		KG711,KG911,KG912
L_{pA} (ηχητική πίεση)		92,6 dB(A), αβεβαιότητα (K) 3 dB(A)
L_{WA} (ηχητική Ισχύς)		103,6 dB(A), αβεβαιότητα (K) 3 dB(A)
Συνολικές τιμές κραδασμών (διανυσματικό άθροισμα τριών αξόνων) κατά EN60745:		
Τρόχισμα επιφάνειας ($a_{h,SG}$)		9,9 m/s ² , αβεβαιότητα (K) 1,5 m/s ²
Κοπή (a_h)		4,6 m/s ² , αβεβαιότητα (K) 1,5 m/s ²
Γυάλισμα ($a_{h,P}$)		4,5 m/s ² , αβεβαιότητα (K) 1,5 m/s ²
Γυαλοχάρτισμα με δίσκο ($a_{h,DS}$)		9,6 m/s ² , αβεβαιότητα (K) 1,5 m/s ²

		KG752
L_{pA} (ηχητική πίεση)		94,5 dB(A), αβεβαιότητα (K) 3 dB(A)
L_{WA} (ηχητική Ισχύς)		105,5 dB(A), αβεβαιότητα (K) 3 dB(A)
Συνολικές τιμές κραδασμών (διανυσματικό άθροισμα τριών αξόνων) κατά EN60745:		
Τρόχισμα επιφάνειας ($a_{h,SG}$)		9,9 m/s ² , αβεβαιότητα (K) 1,5 m/s ²
Κοπή (a_h)		9,1 m/s ² , αβεβαιότητα (K) 1,5 m/s ²
Γυάλισμα ($a_{h,P}$)		5,0 m/s ² , αβεβαιότητα (K) 1,5 m/s ²
Γυαλοχάρτισμα με δίσκο ($a_{h,DS}$)		3,3 m/s ² , αβεβαιότητα (K) 1,5 m/s ²

Δήλωση συμμόρφωσης ΕΚ

ΟΔΗΓΙΑ ΠΕΡΙ ΜΗΧΑΝΗΜΑΤΩΝ



KG711, KG911, KG912, KG752 Γωνιακοί τροχοί
 Η Black & Decker δηλώνει ότι τα προϊόντα αυτά
 που περιγράφονται στα "τεχνικά χαρακτηριστικά"
 συμμορφώνονται με τα ακόλουθα:

2006/42/ΕΚ, EN60745-1:2009 +A11:2010;
 EN60745-2-3:2011 +A2:2013 +A11:2014 +A12:2014

Αυτά τα προϊόντα συμμορφώνονται επίσης με την οδηγία
 για 2004/108/ΕΚ (μέχρι 19.04.2016) 2014/30/ΕΕ (από
 20.04.2016) και 2011/65/ΕΕ. Για περισσότερες πληροφορίες,
 παρακαλείστε να επικοινωνήσετε με την Black & Decker στην
 παρακάτω διεύθυνση ή να ανατρέξετε στο πίσω μέρος του
 εγχειριδίου.

Ο κάτωθι υπογεγραμμένος είναι υπεύθυνος για την κατάρτιση
 του τεχνικού φακέλου και δηλώνει τα παρόντα εκ μέρους της
 Black & Decker.

Διευθυντής Σχεδιασμού

Black & Decker Europe, 210 Bath Road, Slough,
 Berkshire, SL1 3YD, United Kingdom

18.11.2015

Εγγύηση

Η Black & Decker είναι σίγουρη για την ποιότητα των
 προϊόντων της και προσφέρει στους καταναλωτές εγγύηση
 24 μηνών από την ημερομηνία αγοράς. Αυτή η εγγύηση
 είναι πρόσθετο δικαίωμά σας και δεν ζημιώνει τα νόμιμα
 δικαιώματά σας. Η εγγύηση ισχύει εντός της επικράτειας των
 χωρών μελών της Ευρωπαϊκής Ένωσης και της Ευρωπαϊκής
 Ζώνης Ελεύθερων Συναλλαγών. Για να υποβάλετε αξίωση
 βάσει της εγγύησης, η αξίωση θα πρέπει να είναι σύμφωνη
 με τους Όρους και προϋποθέσεις της Black&Decker και θα
 χρειαστεί να υποβάλετε απόδειξη αγοράς στον πωλητή ή σε
 εξουσιοδοτημένο αντιπρόσωπο επισκευών.

Μπορείτε να αποκτήσετε τους Όρους και προϋποθέσεις
 της εγγύησης 2 ετών της Black&Decker και να μάθετε
 την τοποθεσία του πλησιέστερου εξουσιοδοτημένου
 αντιπροσώπου επισκευών στο Internet στο www.2helpU.com,
 ή επικοινωνώντας με το τοπικό σας γραφείο Black & Decker
 στη διεύθυνση που υποδεικνύεται στο παρόν εγχειρίδιο.
 Παρακαλούμε επισκεφθείτε την ιστοσελίδα μας www.black-anddecker.gr
 για να καταχωρίσετε το νέο σας προϊόν Black &
 Decker και για να ενημερώνεστε για τα νέα προϊόντα και τις
 ειδικές προσφορές.

België/Belgique/Luxembourg www.blackanddecker.be enduser.be@sbdinc.com	Stanley Black & Decker Belgium BVBA Egide Walschaertsstraat 16 2800 Mechelen	Tel. NL +32 15 47 37 65 Tel. FR +32 15 47 37 66 Fax. +32 15 47 37 99
Danmark	Black & Decker Roskildevej 22 2620 Albertslund	kundeservice.dk@sbdinc.com www.blackanddecker.dk
Deutschland www.blackanddecker.de infobfge@sdbinc.com	Stanley Black & Decker Deutschland GmbH Black & Decker Str. 40, D - 65510 Idstein	Tel. 06126 21-0 Fax 06126 21-2980
Ελλάδα www.blackanddecker.gr greece.service@sbdinc.com	Stanley Black & Decker (ΕΛΛΑΣ) Ε.Π.Ε ΓΡΑΦΕΙΑ: Σπύριδωνος 7 & Βουλιαγμένης 166 74 Γλυφάδα - Αθήνα	Τηλ. 210-8981616 Φαξ 210-8983570
SERVICE:	Ημερος Τόπος 2 -Χάνι Αδάμ 193 00 Ασπρόπυργος - Αθήνα	Τηλ. Service 210-8985208 Φαξ 210-5597598
España www.blackanddecker.es respuesta.posventa@sbdinc.com	Stanley Black & Decker Ibérica, S.C.A. Parc de Negocis "Mas Blau" Edificio Muntadas, c/Bergadà, 1, Of. A6 08820 El Prat de Llobregat (Barcelona)	Tel. 934 797 400 Fax 934 797 419
France www.blackanddecker.fr	Black & Decker (France) S.A.S. 5 allée des Hêtres B.P. 30084 69579 Limonest Cédex	Tel. 04 72 20 39 20 Fax 04 72 20 39 00
Helvetia www.blackanddecker.ch service@rofoag.ch	ROFO AG Gewerbezone Seeblick 3213 Kleinbödingen	Tel. 026-6749393 Fax 026-6749394
Italia www.blackanddecker.it service.italia@sbdinc.com	Stanley Black & Decker Italia Via Energypark 6 20871 Vimercate (MB)	Tel. 039-9590200 Fax 039-9590313 Numero verde 800-213935
Nederland www.blackanddecker.nl enduser.nl@sbdinc.com	Stanley Black & Decker Netherlands BV Holtum Noordweg 35, 6121 RE BORN Postbus 83, 6120 AB BORN	Tel. +31 164 283 065 Fax +31 164 283 200
Norge	Black & Decker Postboks 4613, Nydalen 0405 Oslo	kundeservice.no@sbdinc.com www.blackanddecker.no
Österreich www.blackanddecker.at service.austria@sbdinc.com	Stanley Black & Decker Austria GmbH Oberlaaerstraße 248, A-1230 Wien	Tel. 01 66116-0 Fax 01 66116-614
Portugal www.blackanddecker.pt resposta.posvenda@sbdinc.com	Black & Decker Limited SARL Quinta da Fonte - Edifício Q55 D. Diniz Rua dos Malhães, 2 e 2A - Piso 2 Esquerdo 2770 - 071 Paço de Arcos	Tel. 214667500 Fax 214667580
Suomi	Black & Decker PL47 00521, Helsinki	asiakaspalvelu.fi@sbdinc.com www.blackanddecker.fi
Sverige	Black & Decker AB Box 94, 431 22 Mölndal	kundservice.se@sbdinc.com www.blackanddecker.se
Türkiye www.blackanddecker.com.tr	KALE Hirdavat ve Makina A.Ş. Defferdar Mah. Savaklar Cad. No:15 Edimekapı / Eyüp / İstanbul 34050	Tel. 0212 533 52 55 Fax. 0212 533 10 05
United Kingdom & Republic Of Ireland www.blackanddecker.co.uk emeaservice@sbdinc.com	Black & Decker 210 Bath Road Slough, Berkshire SL1 3YD	Tel. 01753 511234 Fax 01753 512365
Middle East & Africa www.blackanddecker.ae service.mea@sbdinc.com	Black & Decker P.O.Box - 17164 Jebel Ali Free Zone (South), Dubai, UAE	Tel. +971 4 8863030 Fax +971 4 8863333