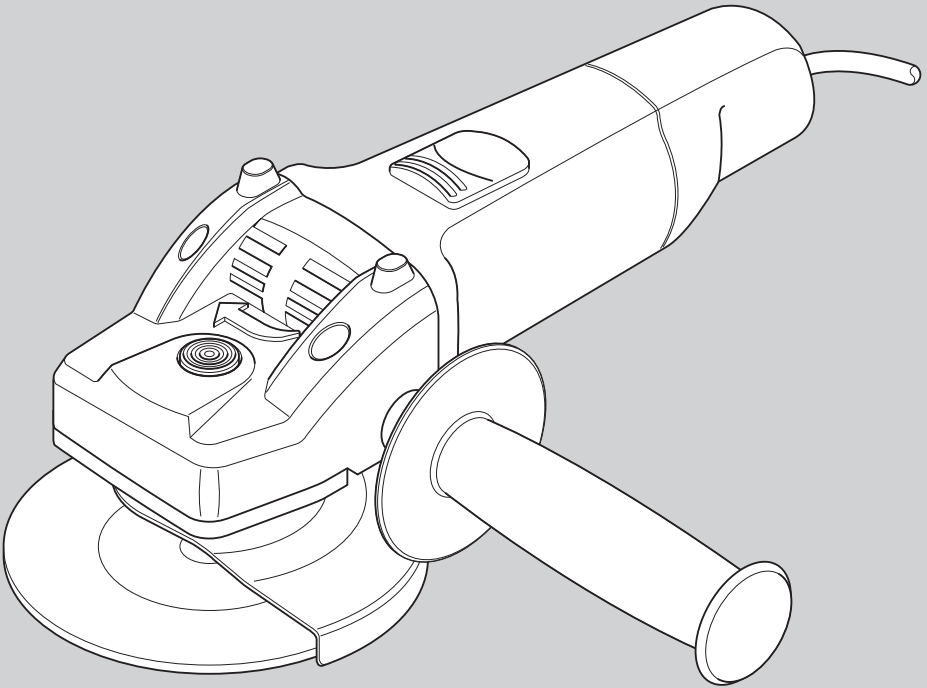
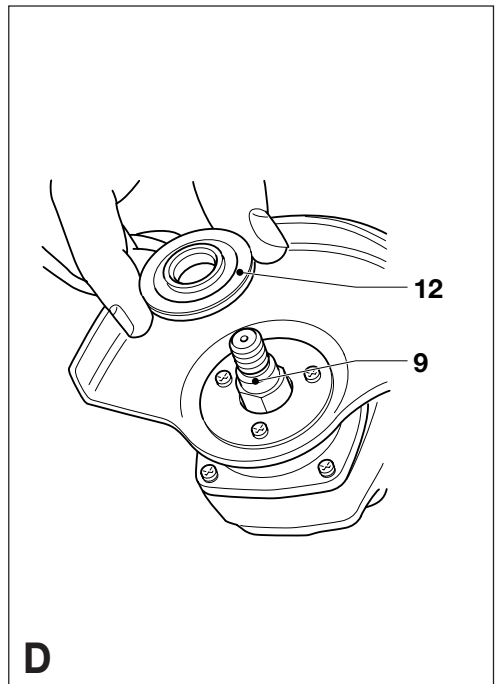
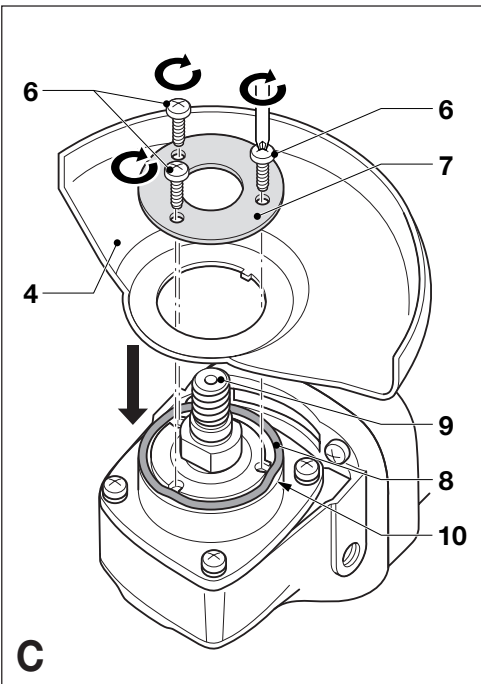
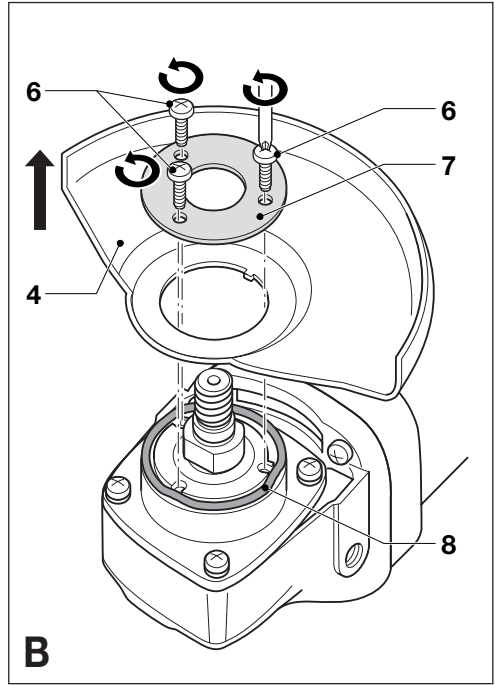
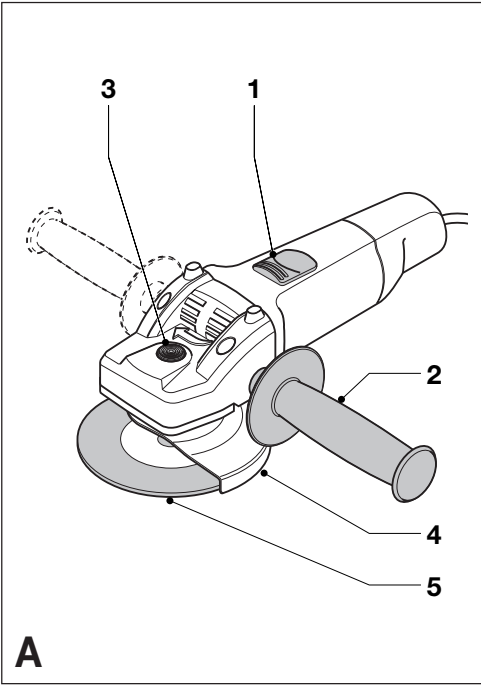


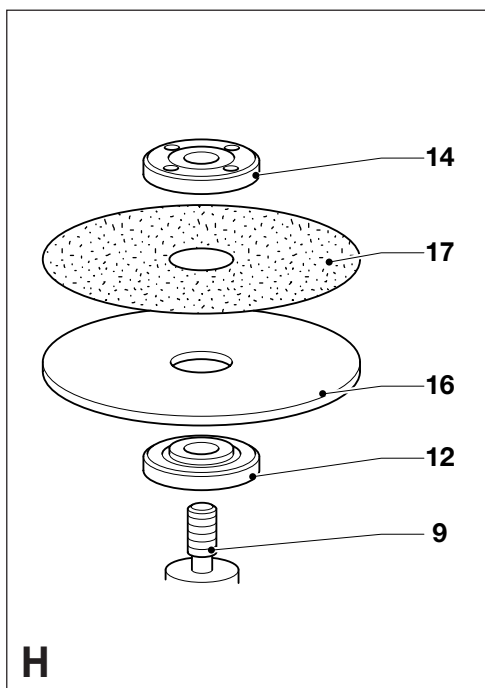
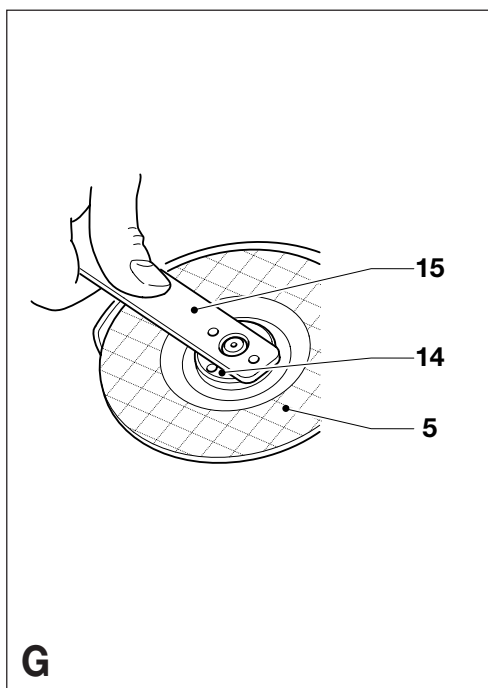
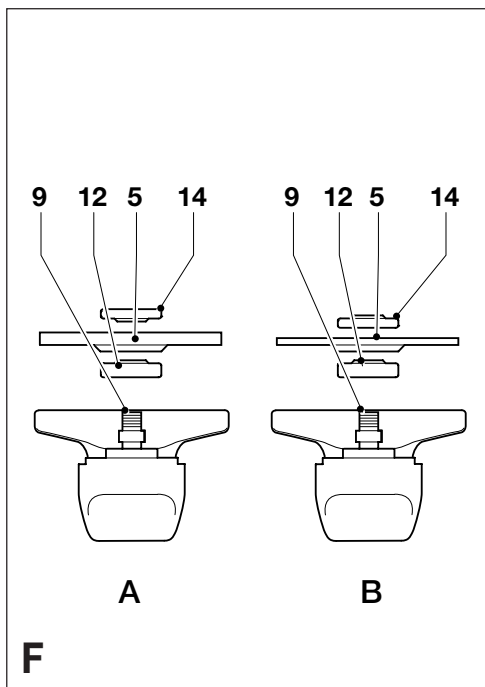
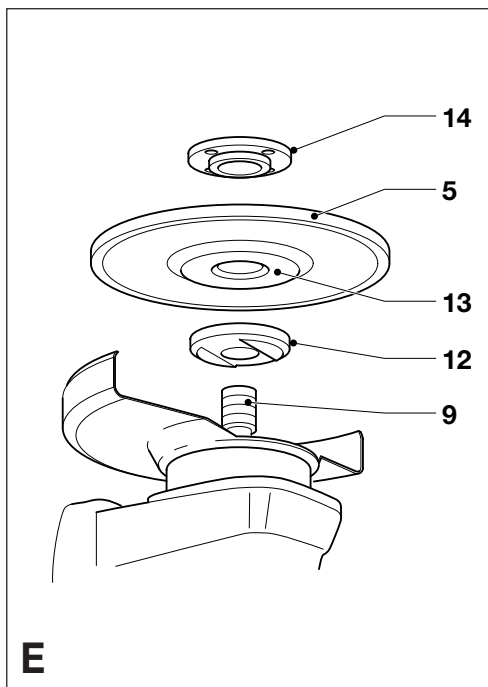
 **BLACK &  
DECKER**®

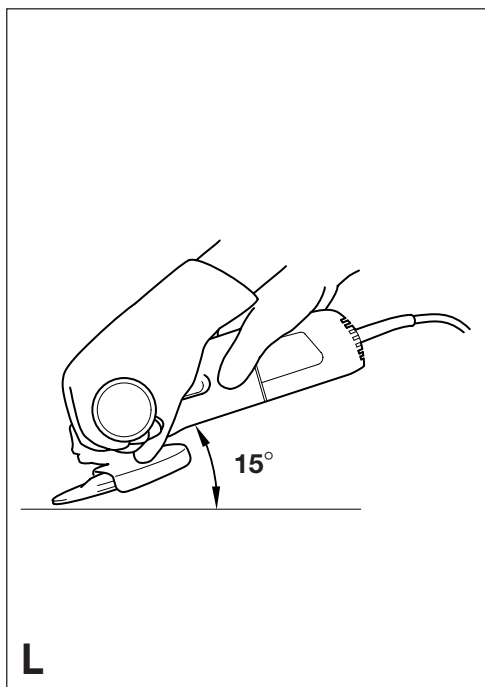
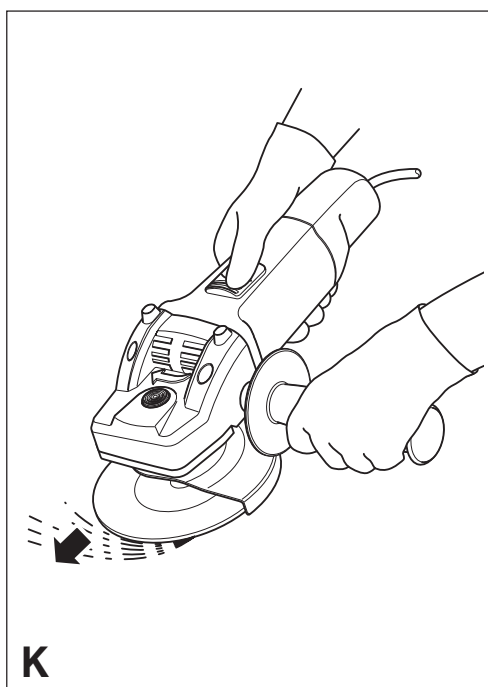
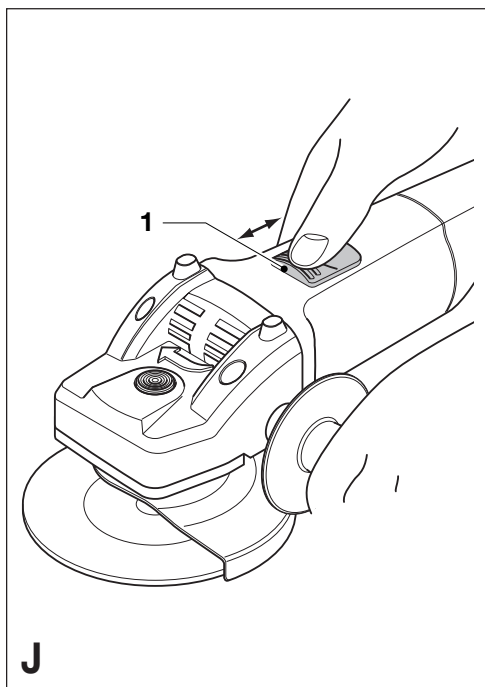
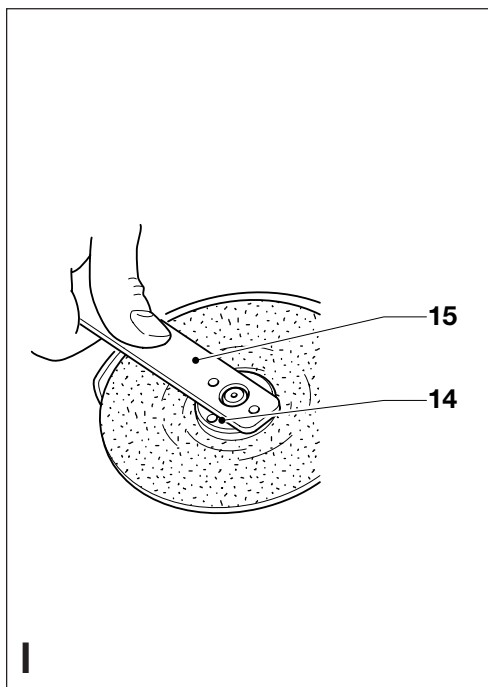


**KG900  
KG915**

<b>English</b>	<b>6</b>
<b>Deutsch</b>	<b>13</b>
<b>Français</b>	<b>20</b>
<b>Italiano</b>	<b>27</b>
<b>Nederlands</b>	<b>34</b>
<b>Español</b>	<b>41</b>
<b>Português</b>	<b>48</b>
<b>Svenska</b>	<b>54</b>
<b>Norsk</b>	<b>60</b>
<b>Dansk</b>	<b>66</b>
<b>Suomi</b>	<b>72</b>
<b>Ελληνικά</b>	<b>78</b>







# ANGLE GRINDER KG900/KG915

## CONGRATULATIONS!

You have chosen a Black & Decker tool. Our aim is to provide quality tools at an affordable price. We hope that you will enjoy using this tool for many years.

## EC DECLARATION OF CONFORMITY



### KG900/KG915

Black & Decker declares that these products conform to:  
98/37/EC, 89/336/EEC, 73/23/EEC,  
EN 50144, EN 55014, EN 61000

Level of sound pressure, measured according to EN 50144:

$L_{pA}$ (sound pressure)	dB(A)	89.9
$L_{WA}$ (acoustic power)	dB(A)	102.9



Always wear ear protection if the sound pressure exceeds 85 dB(A).

Hand/arm weighted vibration value according to EN 50144:

< 2.5 m/s<sup>2</sup>

Kevin Hewitt  
Director of Consumer Engineering  
Spennymoor, County Durham DL16 6JG,  
United Kingdom

## INTENDED USE

Your Black & Decker angle grinder has been designed for cutting metal and masonry using the appropriate type of cutting or grinding disc. It is also suitable for sanding using a backing pad and sanding disc.

This tool is intended for consumer use only.

## SAFETY INSTRUCTIONS

### Warning symbols

The following symbols are used in this manual:



Denotes risk of personal injury, loss of life or damage to the tool in case of non-observance of the instructions in this manual.



Denotes risk of electric shock.



Read the manual prior to operation.



Fire hazard.

### Know your tool



- ◆ **Warning!** When using mains-powered tools, basic safety precautions, including the following, should always be followed to reduce the risk of fire, electric shock, personal injury and material damage.
- ◆ Read all of this manual carefully before operating the tool.
- ◆ Before operating the tool, make sure that you know how to switch the tool off in an emergency.
- ◆ Retain this manual for future reference.

## General

### 1. Keep work area clean

Cluttered areas and benches can cause accidents.

### 2. Consider work area environment

Do not expose the tool to rain. Do not use the tool in damp or wet conditions. Keep the work area well lit. Do not use the tool where there is a risk of causing fire or explosion, e.g. in the presence of flammable liquids and gases.

### 3. Keep children away

Do not allow children, visitors or animals to come near the work area or to touch the tool or mains cable.

### 4. Dress properly

Do not wear loose clothing or jewellery, as these can be caught in moving parts. Preferably wear rubber gloves and non-slip footwear when working outdoors. Wear protective hair covering to keep long hair out of the way.

### 5. Personal protection

Always use safety glasses. Use a face or dust mask whenever the operations may produce dust or flying particles. Wear ear protection whenever the sound level seems uncomfortable.

### 6. Guard against electric shock

Prevent body contact with earthed or grounded surfaces (e.g. pipes, radiators, cookers and refrigerators). Electric safety can be further improved by using a high-sensitivity (30 mA / 30 mS) residual current device (RCD).

### 7. Do not overreach

Keep proper footing and balance at all times.

### 8. Stay alert

Watch what you are doing. Use common sense. Do not operate the tool when you are tired.

### 9. Secure workpiece

Use clamps or a vice to hold the workpiece. It is safer and it frees both hands to operate the tool.

### 10. Connect dust extraction equipment

If devices are provided for the connection of dust extraction and collection facilities, ensure that these are connected and properly used.

### 11. Remove adjusting keys and wrenches

Always check that adjusting keys and wrenches are removed from the tool before operating the tool.

### 12. Extension cables

Before use, inspect the extension cable and replace if damaged. When using the tool outdoors, only use extension cables intended for outdoor use.

### 13. Use appropriate tool

The intended use is described in this instruction manual. Do not force small tools or attachments to do the job of a heavy-duty tool. The tool will do the job better and safer at the rate for which it was intended. Do not force the tool.

**Warning!** The use of any accessory or attachment or performance of any operation with this tool other than those recommended in this instruction manual may present a risk of personal injury.

### 14. Check for damaged parts

Before use, carefully check the tool and mains cable for damage. Check for misalignment and seizure of moving parts, breakage of parts, damage to guards and switches and any other conditions that may affect its operation.

Ensure that the tool will operate properly and perform its intended function. Do not use the tool if any part is damaged or defective.

Do not use the tool if the switch does not turn it on and off. Have any damaged or defective parts repaired or replaced by an authorised repair agent. Never attempt any repairs yourself.

### 15. Unplug the tool

Unplug the tool when it is not in use, before changing any parts of the tool, accessories or attachments and before servicing.

### 16. Avoid unintentional starting

Do not carry the tool with a finger on the on/off switch. Be sure that the tool is switched off when plugging in.

### 17. Do not abuse cord

Never carry the tool by its cord or pull it to disconnect from the socket. Keep the cord away from heat, oil and sharp edges.

### 18. Store idle tools

When not in use, tools should be stored in a dry, locked up or high place, out of reach of children.

### 19. Maintain tools with care

Keep cutting tools sharp and clean for better and safer performance. Follow the instructions for maintenance and changing accessories.

Keep handles and switches dry, clean and free from oil and grease.

## 20. Repairs

This tool complies with relevant safety requirements. Repairs should only be carried out by qualified persons using original spare parts; otherwise this may result in considerable danger to the user.

### Additional safety instructions for angle grinders



Wear safety glasses or goggles when operating this tool.



Wear ear protection when operating this tool.



Wear gloves when operating this tool.



Do not cut or grind light metal with a magnesium content exceeding 80%, since this type of metal is flammable.

- ◆ Only use grinding and cutting discs and other accessories recommended in this manual.
- ◆ Make sure that the maximum speed of the grinding or cutting disc exceeds the no-load speed of the tool.
- ◆ Do not cut workpieces requiring a maximum depth of cut exceeding that of the cutting disc.
- ◆ Never use the tool without the guard, except for sanding.
- ◆ Do not exert side pressure on the grinding or cutting disc.
- ◆ Use this tool only as a hand held tool.

## Sanding

- ◆ Wear a dust mask whenever sanding.
- ◆ Thoroughly remove all dust after sanding.
- ◆ Take special care when sanding paint which is possibly lead based or when sanding some woods and metal which may produce toxic dust:
  - Wear a dust mask specifically designed for protection against lead paint dust and fumes and ensure that persons within or entering the work area are also protected.

- Do not let children or pregnant women enter the work area.
- Do not eat, drink or smoke in the work area.
- Dispose of dust particles and any other debris safely.

### Additional safety instructions for Australia and New Zealand

- ◆ This appliance is not intended for use by young or infirm persons without supervision. Children must be supervised to ensure they do not play with the appliance.
- ◆ If the supply cord is damaged, it must be replaced by the manufacturer or an authorised Black & Decker Service Centre in order to avoid a hazard.

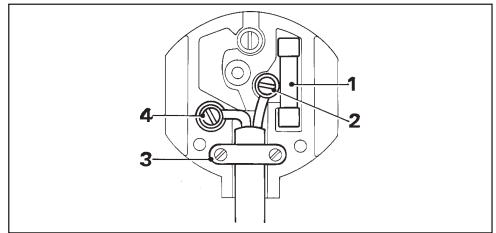
## ELECTRICAL SAFETY

The electric motor has been designed for one voltage only. Always check that the power supply corresponds to the voltage on the rating plate.



This tool is double insulated in accordance with EN 50144; therefore no earth wire is required.

### Mains plug replacement (U.K. & Ireland only)



- ◆ Should your mains plug need replacing and you are competent to do this, proceed as instructed below. If you are in doubt, contact an authorised repair agent or a qualified electrician.
- ◆ Disconnect the plug from the supply and remove the fuse from the plug.
- ◆ Cut off the plug and dispose of it safely; a plug with bared copper conductors is dangerous if engaged in a live socket outlet.
- ◆ Only fit 13 Amperes BS1363A approved plugs fitted with the correctly rated fuse (1).



- ◆ The cable wire colours, or a letter, will be marked at the connection points of most good quality plugs.

Attach the wires to their respective points in the plug (see above). Brown is for Live (L) (2), blue is for Neutral (N) (4).

- ◆ Before replacing the top cover of the mains plug ensure that the cable restraint (3) is holding the outer sheath of the cable firmly and that the leads are correctly fixed at the terminal screws.
- ◆ If the plug has a fuse cover, make sure that the fuse cover is fitted. Do not use the plug if the fuse cover is missing or damaged.



Never use a light socket.

### Using an extension cable

Always use an approved extension cable suitable for the power input of this tool (see technical data). Before use, inspect the extension cable for signs of damage, wear and ageing. Replace the extension cable if damaged or defective.

When using a cable reel, always unwind the cable completely. Use of an extension cable not suitable for the power input of the tool or which is damaged or defective may result in a risk of fire and electric shock.

### PACKAGE CONTENTS

The package contains:

- 1 Angle grinder
- 1 Side handle
- 1 Grinding or cutting disc
- 1 Flange set
- 1 Two-pin spanner
- 1 Instruction manual

- ◆ Carefully unpack all parts.
- ◆ Please note that additional items may be found in the package, depending on the letter suffix following the catalogue number of your tool.

### OVERVIEW (fig. A)

1. On/off switch
2. Side handle
3. Spindle lock

4. Guard
5. Grinding or cutting disc

### ASSEMBLY



Before attempting any of the following operations, make sure that the tool is switched off and unplugged and that the disc has stopped rotating.

### Removing and refitting of the guard



Never use the tool without the guard, except when sanding.

### Removing (fig. B)

This tool is fitted with a guard. For sanding only, you can remove the guard as follows.

- ◆ Remove the outer flange, disc and inner flange as described below.
- ◆ Use a screwdriver to remove the screws (6).
- ◆ Remove the flange (7), guard (4) and spring washer (8). Store these parts carefully.

### Refitting (fig. C)

- ◆ Place the tool on a table, with the spindle (9) facing up.
- ◆ Place the spring washer (8) over the spindle and locate it on the shoulder (10).
- ◆ Place the guard onto the tool as shown.
- ◆ Place the flange (11) over the spindle with the protruding pins towards the guard. Make sure that the holes in the flange align with the screw holes.
- ◆ Secure the flange with the screws (6). Make sure that the screws are fully tight and that the guard can be rotated.

### Fitting the side handle (fig. A)



Always use the side handle.

- ◆ Screw the side handle (2) into one of the mounting holes in the tool.

## Fitting and removing grinding or cutting discs (fig. A, D - G)



Always use the correct type of disc for your application. Always use discs with the correct diameter and bore size (see technical data).

The maximum thickness for grinding discs is 6 mm, for cutting discs 3.5 mm.

### Fitting

- ◆ If it has been removed, fit the guard as described above.
- ◆ Place the inner flange (12) onto the spindle (9) as shown (fig. D). Make sure that the flange is correctly located on the flat sides of the spindle.
- ◆ Place the disc (5) onto the spindle (9) as shown (fig. E). If the disc has a raised centre (13), make sure that the raised centre faces the inner flange.
- ◆ Make sure that the disc locates correctly on the inner flange.
- ◆ Place the outer flange (14) onto the spindle. When fitting a grinding disc, the raised centre on the outer flange must face towards the disc (A in fig. F). When fitting a cutting disc, the raised centre on the outer flange must face away from the disc (B in fig. F).
- ◆ Keep the spindle lock (3) depressed and tighten the outer flange using the two-pin spanner (15) (fig. A & G). Make sure that the outer flange is fitted correctly for the type of disc used and that the disc is clamped tightly.

### Removing

- ◆ Keep the spindle lock (3) depressed and loosen the outer flange (14) using the two-pin spanner (15) (fig. A & G).
- ◆ Remove the outer flange (14) and the disc (5).

## Fitting and removing sanding discs (fig. A, H & I)

For sanding, a backing pad is required. The backing pad is available from your Black & Decker dealer as an accessory.

### Fitting

- ◆ Remove the guard as described above.
- ◆ Place the inner flange (12) onto the spindle (9) as shown (fig. H). Make sure that the flange is correctly located on the flat sides of the spindle.
- ◆ Place the backing pad (16) onto the spindle.
- ◆ Place the sanding disc (17) onto the backing pad.
- ◆ Place the outer flange (14) onto the spindle with the raised centre facing away from the disc.
- ◆ Keep the spindle lock (3) depressed and tighten the outer flange using the two-pin spanner (15) (fig. A & I). Make sure that the outer flange is fitted correctly and that the disc is clamped tightly.

### Removing

- ◆ Keep the spindle lock (3) depressed and loosen the outer flange (14) using the two-pin spanner (15) (fig. A & I).
- ◆ Remove the outer flange (14), the sanding disc (17) and the backing pad (16).



After sanding, refit the guard on the tool.

### USE



Let the tool work at its own pace. Do not overload.

- ◆ Carefully guide the cable in order to avoid accidentally cutting it.
- ◆ Be prepared for a stream of sparks when the grinding or cutting disc touches the workpiece.
- ◆ Always position the tool in such a way that the guard provides optimum protection from the grinding or cutting disc.



Wear safety glasses or goggles when operating this tool.

### Switching on and off (fig. J)

- ◆ To switch on, slide the on/off switch (1) forward. Note that the tool will continue running when you release the switch.
- ◆ To switch off, press the rear part of the on/off switch.

**Hints for optimum use**

- ◆ Firmly hold the tool with one hand around the side handle and the other hand around the motor housing (fig. K).
- ◆ When grinding, always maintain an angle of approx. 15° between the disc and the workpiece surface (fig. L).

**MAINTENANCE**

Your Black & Decker tool has been designed to operate over a long period of time with a minimum of maintenance. Continuous satisfactory operation depends upon proper tool care and regular cleaning.



Before performing any maintenance, switch off and unplug the tool.

- ◆ Regularly clean the ventilation slots in your tool using a soft brush or dry cloth.
- ◆ Regularly clean the motor housing using a damp cloth. Do not use any abrasive or solvent-based cleaner.

**PROTECTING THE ENVIRONMENT**



Black & Decker provides a facility for recycling Black & Decker products once they have reached the end of their working life. This service is provided free of charge. To take advantage of this service please return your product to any authorised repair agent who will collect them on our behalf.

You can check the location of your nearest authorised repair agent by contacting your local Black & Decker office at the address indicated in this manual. Alternatively, a list of authorised Black & Decker repair agents and full details of our after-sales service and contacts are available on the Internet at: [www.2helpU.com](http://www.2helpU.com).

**Technical data**

	KG900	KG915
Voltage	V <sub>AC</sub> 230	230
(Australia & New Zealand)	V <sub>AC</sub> 240	240
Power input	W 900	900
No-load speed	min <sup>-1</sup> 10,000	10,000
Disc diameter	mm 100	115
Disc bore	mm 16	22
Spindle size	M10	M14
Weight	kg 2.1	2.1

**GUARANTEE**

Black & Decker is confident of the quality of its products and offers an outstanding guarantee. This guarantee statement is in addition to and in no way prejudices your statutory rights. The guarantee is valid within the territories of the Member States of the European Union and the European Free Trade Area.

If a Black & Decker product becomes defective due to faulty materials, workmanship or lack of conformity, within 24 months from the date of purchase, Black & Decker guarantees to replace defective parts, repair products subjected to fair wear and tear or replace such products to ensure minimum inconvenience to the customer unless:

- ◆ The product has been used for trade, professional or hire purposes;
- ◆ The product has been subjected to misuse or neglect;
- ◆ The product has sustained damage through foreign objects, substances or accidents;
- ◆ Repairs have been attempted by persons other than authorised repair agents or Black & Decker service staff.

To claim on the guarantee, you will need to submit proof of purchase to the seller or an authorised repair agent. You can check the location of your nearest authorised repair agent by contacting your local Black & Decker office at the address indicated in this manual. Alternatively, a list of authorised Black & Decker repair agents and full details of our after-sales service and contacts are available on the Internet at: [www.2helpU.com](http://www.2helpU.com).

## OTHER DIY TOOLS

Black & Decker has a full range of tools that make DIY jobs easy. If you would like further information on the following products, please contact our Service and Information Centre (see the address page towards the end of this manual) or your local Black & Decker retailer.

- Drills
- Cordless screwdrivers
- Cordless drills/screwdrivers
- Sanders
- Jigsaws
- Circular saws
- Mitre saws
- Angle grinders
- Planers
- Routers
- Corded and cordless multi-purpose tools
- Paint strippers
- Workbenches

We also have a wide range of accessories for the above tools.

Not all products are available in all countries.

# WINKELSCHLEIFER KG900/KG915

## HERZLICHEN GLÜCKWUNSCH!

Sie haben sich für ein Gerät von Black & Decker entschieden. Wir möchten Qualitätsgeräte zu einem erschwinglichen Preis bieten. Wir hoffen, daß Sie dieses Gerät viele Jahre mit Freude verwenden werden.

## EU-KONFORMITÄTSERKLÄRUNG



### KG900/KG915

Black & Decker erklärt hiermit, daß diese Geräte entsprechend folgenden Richtlinien und Normen konzipiert wurden: 98/37/EWG, 89/336/EWG, 73/23/EWG, EN 50144, EN 55014, EN 61000

Höhe des Schalldrucks, gemessen nach EN 50144:

$L_{pA}$ (Schalldruck)	dB(A)	89,9
$L_{WA}$ (Schalleistung)	dB(A)	102,9



Tragen Sie bei einem Schalldruck über 85 dB(A) einen Gehörschutz.

Gewichteter Effektivwert der Beschleunigung nach EN 50144:

< 2,5 m/s<sup>2</sup>

Kevin Hewitt

Director of Consumer Engineering  
Spennymoor, County Durham DL16 6JG,  
United Kingdom

## BESTIMMUNGSGEMÄSSE VERWENDUNG

Ihr Black & Decker Winkelschleifer wurde für das Schneiden und Schleifen von Metall und Mauerwerk unter Verwendung der entsprechenden Trenn- bzw. Schleifscheibe konstruiert. Das Gerät ist auch zum Schleifen mit Schleifpapierscheiben geeignet, sofern ein Schleifteller verwendet wird.

Dieses Gerät ist nicht für den gewerblichen Einsatz vorgesehen.

## SICHERHEITSHINWEISE

### Warnsymbole

Folgende Warnsymbole werden in dieser Anleitung verwendet:



Verletzungsgefahr, Lebensgefahr oder mögliche Beschädigung des Geräts infolge der Nichtbeachtung der Anweisungen dieser Anleitung!



Gefahr eines elektrischen Schlages.



Lesen Sie vor der Inbetriebnahme die Anleitung.



Feuergefahr.

### Kennen Sie Ihr Gerät



- ◆ **Warnung!** Bei der Verwendung elektrischer Geräte sind zum Schutz gegen Feuergefahr, gegen elektrischen Schlag sowie gegen Körper- und Sachschaden grundlegende Sicherheitsmaßnahmen, einschließlich der folgenden Vorschriften, zu beachten.
- ◆ Lesen Sie diese Anleitung gründlich durch, bevor Sie das Gerät verwenden.

- ◆ Informieren Sie sich vor der Inbetriebnahme, wie Sie das Gerät im Notfall ausschalten.
- ◆ Bewahren Sie diese Anleitung auf.

## Allgemeines

### 1. Halten Sie Ihren Arbeitsbereich in Ordnung!

Unordnung im Arbeitsbereich führt zu Unfallgefahren.

### 2. Berücksichtigen Sie Umgebungseinflüsse!

Setzen Sie das Gerät keinem Regen aus. Verwenden Sie das Gerät nicht in einer feuchten oder nassen Umgebung. Sorgen Sie für eine gute Beleuchtung des Arbeitsbereiches. Benutzen Sie das Gerät nicht an Orten, wo Feuergefahr oder Explosionsgefahr besteht, z.B. in der Nähe von brennbaren Flüssigkeiten oder Gasen.

### 3. Halten Sie Kinder fern!

Halten Sie Kinder, Besucher und Tiere dem Arbeitsbereich fern und sorgen Sie dafür, daß sie das Gerät und das Netzkabel nicht berühren.

### 4. Tragen Sie geeignete Arbeitskleidung!

Tragen Sie keine weite Kleidung oder Schmuck, da diese von sich bewegenden Teilen erfaßt werden können. Beim Arbeiten im Freien sind Gummihandschuhe und rutschfestes Schuhwerk empfehlenswert. Tragen Sie bei langen Haaren ein Haarnetz.

### 5. Schutzmaßnahmen:

Verwenden Sie immer eine Schutzbrille. Tragen Sie eine Atemschutzmaske, falls die Arbeiten Staub oder Späne erzeugen können. Tragen Sie bei einem hohen oder unangenehmen Schallpegel immer einen Gehörschutz.

### 6. Schutz vor elektrischem Schlag:

Vermeiden Sie eine Körperberührung mit geerdeten Objekten (z.B. Rohren, Heizkörpern, Herden und Kühlschränken). Die elektrische Sicherheit läßt sich durch Verwendung eines Fehlerstrom-Schutzschalters (30 mA / 30 mS) weiter erhöhen.

### 7. Achten Sie auf einen sicheren Stand!

Achten Sie auf einen sicheren Stand, um in jeder Arbeitsposition das Gleichgewicht zu halten.

### 8. Seien Sie stets aufmerksam!

Konzentrieren Sie sich auf Ihre Arbeit. Gehen Sie vernünftig vor. Verwenden Sie das Gerät nicht, wenn Sie müde sind.

### 9. Sichern Sie das Werkstück!

Benutzen Sie Spannvorrichtungen oder einen Schraubstock, um das Werkstück festzuhalten. Es ist damit sicherer gehalten und ermöglicht die Bedienung des Gerätes mit beiden Händen.

### 10. Schließen Sie Vorrichtungen zur Staubsabsaugung an!

Falls Vorrichtungen zur Absaugung oder zum Sammeln von Staub an das Gerät angeschlossen werden können, vergewissern Sie sich, daß diese angeschlossen sind und ordnungsgemäß verwendet werden.

### 11. Lassen Sie keine Schlüssel stecken!

Überprüfen Sie vor dem Einschalten, ob die Schlüssel und Einstellwerkzeuge entfernt sind.

### 12. Verlängerungskabel

Prüfen Sie vor dem Gebrauch das Verlängerungskabel und tauschen Sie es aus, falls es beschädigt ist. Wenn Sie das Gerät im Freien verwenden, verwenden Sie nur Verlängerungskabel, die sich für den Einsatz im Freien eignen.

### 13. Benutzen Sie das richtige Gerät!

Die bestimmungsgemäße Verwendung ist in dieser Betriebsanleitung beschrieben. Verwenden Sie keine zu schwachen Geräte oder Zubehörteile für schwere Arbeiten. Mit dem richtigen Gerät erzielen Sie eine optimale Qualität und gewährleisten Ihre persönliche Sicherheit. Überlasten Sie das Gerät nicht. **Warnung!** Das Verwenden anderer als der in dieser Anleitung empfohlenen Vorsatzgeräte und Zubehörteile oder die Ausführung von Arbeiten mit diesem Gerät, die nicht der bestimmungsgemäßen Verwendung entsprechen, kann zu Unfallgefahren führen.

### 14. Kontrollieren Sie Ihr Gerät auf Beschädigungen!

Überprüfen Sie das Gerät und das Netzkabel vor der Arbeit auf Beschädigungen. Überprüfen Sie, ob alle beweglichen Teile richtig montiert sind, ob keine Teile gebrochen sind, ob keine Schutzvorrichtungen und Schalter beschädigt sind, und ob irgendwelche andere Schäden den einwandfreien Betrieb des Gerätes beeinträchtigen könnten.

Vergewissern Sie sich, daß das Gerät ordnungsgemäß funktionieren wird. Benutzen Sie das Gerät nicht, wenn irgendein Teil defekt ist. Verwenden Sie das Gerät nicht, wenn der Ein-/Aus-Schalter nicht funktioniert. Lassen Sie defekte Teile immer von einer unserer Kundendienstwerkstätten reparieren oder austauschen. Versuchen Sie nie, das Gerät selber zu reparieren.



Tragen Sie bei der Verwendung dieses Geräts einen Gehörschutz!



Tragen Sie bei der Verwendung dieses Geräts Handschuhe!



Trennen bzw. schleifen Sie keine Leichtmetalle mit einem Magnesiumgehalt über 80%, da solche Metalle brennbar sind.

## 15. Ziehen Sie den Netzstecker!

Ziehen Sie den Netzstecker, wenn Sie das Gerät nicht benutzen, bevor Sie irgendwelche Werkzeuge, Zubehörteile oder Geräteteile auswechseln und bevor Sie irgendwelche Wartungsarbeiten vornehmen.

## 16. Vermeiden Sie ein unbeabsichtigtes Einschalten!

Tragen Sie das Gerät nicht mit dem Finger am Ein-/Aus-Schalter. Vergewissern Sie sich, daß das Gerät ausgeschaltet ist, wenn Sie es an die Stromversorgung anschließen.

## 17. Behandeln Sie das Kabel sorgfältig!

Tragen Sie das Gerät nicht am Kabel und benutzen Sie das Kabel nicht, um den Stecker aus der Steckdose zu ziehen. Schützen Sie das Kabel vor Hitze, Öl und scharfen Kanten.

## 18. Bewahren Sie Ihre Geräte sicher auf!

Unbenutzte Geräte sind an einem trockenen, für Kinder nicht erreichbaren Ort aufzubewahren.

## 19. Pflegen Sie Ihre Geräte mit Sorgfalt!

Halten Sie Schneidwerkzeuge scharf und sauber, um gut und sicher arbeiten zu können. Befolgen Sie die Wartungsvorschriften und die Hinweise für den Werkzeugwechsel. Halten Sie Handgriffe und Schalter trocken, sauber und frei von Öl und Fett.

## 20. Reparaturen:

Dieses Gerät entspricht den einschlägigen Sicherheitsvorschriften. Reparaturen sind nur von autorisierten Fachkräften und mit Original-Ersatzteilen vorzunehmen; andernfalls kann Unfallgefahr für den Betreiber entstehen.

## Zusätzliche Sicherheitsvorschriften für Winkelschleifer



Tragen Sie bei der Verwendung dieses Geräts eine Schutzbrille!

- ◆ Verwenden Sie ausschließlich die in diesem Handbuch empfohlenen Schleif- bzw. Trennscheiben und anderen Zubehörteile.
- ◆ Stellen Sie sicher, daß die maximale Drehzahl der Schleif- bzw. Trennscheibe größer ist als die Leerlaufdrehzahl des Werkzeugs.
- ◆ Trennen Sie keine Werkstücke, deren Stärke größer ist als die maximale Schnitttiefe der Trennscheibe.
- ◆ Verwenden Sie das Gerät ausschließlich beim Schleifen mit Schleifpapierscheiben ohne die Schutzhaube.
- ◆ Üben Sie keinen seitlichen Druck auf die Schleif- bzw. Trennscheibe aus.
- ◆ Verwenden Sie dieses Gerät ausschließlich als Handwerkzeug.

## Schleifen mit Schleifpapierscheiben

- ◆ Tragen Sie beim Schleifen mit Schleifpapierscheiben immer eine Staubmaske.
- ◆ Entfernen Sie nach dem Schleifen sorgfältig alle Staubreste.
- ◆ Treffen Sie beim Schleifen von möglicherweise bleihaltiger Farbe oder von bestimmten Holz- und Metallarten, die giftigen Staub bilden können, besondere Maßnahmen:
  - Tragen Sie eine spezielle Maske zum Schutz vor Bleifarbstaub und -dämpfen, und stellen Sie sicher, daß auch andere Personen, die den Arbeitsplatz betreten, geschützt werden.
  - Verhindern Sie, daß Kinder oder Schwangere den Arbeitsplatz betreten.
  - Essen, trinken und rauchen Sie nicht am Arbeitsplatz.
  - Entsorgen Sie Staubteilchen und andere Schleifabfälle auf fachgerechte Weise.

## ELEKTRISCHE SICHERHEIT

Der Elektromotor wurde für nur eine bestimmte Spannung konzipiert. Überprüfen Sie deswegen, ob die Netzspannung der auf dem Typenschild angegebenen Spannung entspricht.



Dieses Gerät ist gemäß EN 50144 doppelt isoliert; eine Erdleitung ist somit nicht erforderlich.

CH

Bei Ersatz des Netzkabels achten Sie auf Verwendung des Schweizer Netzsteckers: Typ 11 für Geräte Klasse II (Doppelisolierung)

## Verwendung eines Verlängerungskabels

Verwenden Sie immer ein zugelassenes Verlängerungskabel, das für die Leistungsaufnahme des Geräts ausreichend ist (vgl. technische Daten). Der Mindest-Leiterquerschnitt beträgt 1,5 mm<sup>2</sup>. Überprüfen Sie das Verlängerungskabel vor dem Gebrauch auf Beschädigung, Verschleiß und Alterserscheinungen. Tauschen Sie ein beschädigtes oder defektes Verlängerungskabel aus. Rollen Sie das Kabel bei Verwendung einer Kabelrolle immer völlig aus. Die Verwendung eines Verlängerungskabels, das für die Leistungsaufnahme des Werkzeugs nicht geeignet ist, oder eines beschädigten Verlängerungskabels, kann einen Brand und Stromschläge verursachen.

## INHALT DER VERPACKUNG

Die Verpackung enthält:

- 1 Winkelschleifer
- 1 Seitenhandgriff
- 1 Schleif- bzw. Trennscheibe
- 1 Flanschsatz
- 1 Gabelschlüssel
- 1 Bedienungsanleitung

- ◆ Packen Sie sorgfältig alle Teile aus.
- ◆ Bitte beachten Sie, daß je nach der an einer Buchstabenfolge hinter der Katalognummer erkenntlichen Geräteausführung weitere Teile im Lieferumfang enthalten sein können.

## GERÄTEBESCHREIBUNG (Abb. A)

- 1. Ein-/Aus-Schalter
- 2. Seitenhandgriff

- 3. Spindelarretierung
- 4. Handschutz
- 5. Schleif- bzw. Trennscheibe

## MONTAGE



Bevor Sie folgende Schritte durchführen, stellen Sie sicher, daß das Gerät ausgeschaltet und vom Netz getrennt ist und die Scheibe still steht.

### Entfernen und Montieren der Schutzhaube



Verwenden Sie das Gerät ausschließlich beim Schleifen mit Schleifpapierscheiben ohne die Schutzhaube.

### Entfernen (Abb. B)

Dieses Gerät ist mit einer Schutzhaube ausgestattet. Werden lediglich Schleifarbeiten mit Schleifpapierscheiben ausgeführt, so können Sie die Schutzhaube folgendermaßen entfernen.

- ◆ Entfernen Sie den Außenflansch, die Scheibe und den Innenflansch, wie im folgenden beschrieben.
- ◆ Entfernen Sie die Schrauben (6) mit Hilfe eines Schraubenziehers.
- ◆ Entfernen Sie den Flansch (7), die Schutzhaube (4) und den Federring (8). Bewahren Sie diese Teile sorgfältig auf.

### Montieren (Abb. C)

- ◆ Legen Sie das Werkzeug mit der Spindel (9) nach obenweisend auf einen Tisch.
- ◆ Legen Sie den Federring (8) über die Spindel und auf den Ansatz (10).
- ◆ Bringen Sie die Schutzhaube gemäß der Abbildung auf dem Gerät an.
- ◆ Legen Sie den Flansch (11) über die Spindel, mit den Spitzen zur Schutzhaubeweisend. Stellen Sie sicher, daß die Bohrungen im Flansch genau über den Schraubenbohrungen liegen.
- ◆ Befestigen Sie den Flansch mit Hilfe der Schrauben (6). Sorgen Sie dafür, daß die Schrauben fest angezogen sind und die Schutzhaube sich drehen kann.



**Anbringen des Zusatzhandgriffes (Abb. A)**

Verwenden Sie stets den Zusatzhandgriff.

- ◆ Schrauben Sie den Zusatzhandgriff (2) in eines der Befestigungslöcher im Werkzeug.

**Anbringen und Entfernen der Schleif- bzw. Trennscheiben (Abb. A, D - G)**

Verwenden Sie stets den richtigen Scheibentyp für Ihre Anwendung. Verwenden Sie stets Scheiben mit dem richtigen Durchmesser und der richtigen Bohrungsgröße (siehe technische Daten). Die maximale Stärke für Schleifscheiben beträgt 6 mm und für Trennscheiben 3,5 mm.

**Anbringen**

- ◆ Falls die Schutzhaube entfernt wurde, bringen Sie sie wie oben beschrieben an.
- ◆ Setzen Sie den Innenflansch (12) gemäß Abbildung auf die Spindel (9) (Abb. D). Stellen Sie sicher, daß der Flansch richtig auf den Flachseiten der Spindel sitzt.
- ◆ Setzen Sie die Scheibe (5) gemäß Abbildung auf die Spindel (9) (Abb. E). Falls die Scheibe eine Mittenerhebung (13) aufweist, stellen Sie sicher, daß die Mittenerhebung zum Innenflansch weist.
- ◆ Stellen Sie sicher, daß die Scheibe richtig auf dem Innenflansch sitzt.
- ◆ Setzen Sie den Außenflansch (14) auf die Spindel. Beim Anbringen einer Schleifscheibe muß die Mittenerhebung am Außenflansch zur Scheibe weisen (A in Abb. F). Beim Anbringen einer Trennscheibe muß die Mittenerhebung am Außenflansch von der Scheibe wegweisen (B in Abb. F).
- ◆ Halten Sie die Spindelarreterierung (3) gedrückt, und ziehen Sie den Außenflansch mit dem Gabelschlüssel (15) an (Abb. A & G). Vergewissern Sie sich, daß der Außenflansch für den verwendeten Scheibentyp richtig angebracht und die Scheibe fest eingespannt ist.

**Entfernen**

- ◆ Halten Sie die Spindelarreterierung (3) gedrückt, und lösen Sie den Außenflansch (14) mit dem Schlüssel (15) (Abb. A & G).
- ◆ Entfernen Sie den Außenflansch (14) und die Scheibe (5).

**Anbringen und Entfernen von Schleifpapierscheiben (Abb. A, H & I)**

Zum Schleifen mit Schleifpapierscheiben ist ein Schleifteller erforderlich. Der Schleifteller ist bei Ihrem Black & Decker Händler als Zubehör erhältlich.

**Anbringen**

- ◆ Entfernen Sie wie oben beschrieben die Schutzhaube.
- ◆ Setzen Sie den Innenflansch (12) gemäß Abbildung auf die Spindel (9) (Abb. H). Stellen Sie sicher, daß der Flansch richtig auf den Flachseiten der Spindel sitzt.
- ◆ Setzen Sie den Schleifteller (16) auf die Spindel.
- ◆ Setzen Sie die Schleifpapierscheibe (17) auf den Schleifteller.
- ◆ Setzen Sie den Außenflansch (14) mit der Mittenerhebung von der Scheibe wegweisend auf die Spindel.
- ◆ Halten Sie die Spindelarreterierung (3) gedrückt, und ziehen Sie den Außenflansch mit dem Gabelschlüssel (15) an (Abb. A & I). Vergewissern Sie sich, daß der Außenflansch richtig angebracht und die Scheibe fest eingeklemmt ist.

**Entfernen**

- ◆ Halten Sie die Spindelarreterierung (3) gedrückt, und lösen Sie den Außenflansch (14) mit dem Schlüssel (15) (Abb. A & I).
- ◆ Entfernen Sie den Außenflansch (14), die Schleifpapierscheibe (17) und den Schleifteller (16).



Bringen Sie nach dem Schleifen die Schutzhaube wieder am Werkzeug an.

## GEBRAUCH



Beschleunigen Sie den Arbeitsvorgang nicht mit Gewalt. Vermeiden Sie eine Überlastung des Gerätes.

- ◆ Führen Sie das Kabel sorgfältig, damit Sie es nicht versehentlich durchschneiden.
- ◆ Seien Sie auf ein Funkensprühen vorbereitet, sobald die Schleif- bzw. Trennscheibe das Werkstück berührt.
- ◆ Halten Sie das Werkzeug stets in einer Lage, in der die Schutzhaube einen optimalen Schutz vor der Schleif- bzw. Trennscheibe bietet.



Tragen Sie bei der Verwendung dieses Geräts eine Schutzbrille!

### Ein- und Ausschalten (Abb. J)

- ◆ Zum Einschalten schieben Sie den Ein-/Ausschalter (1) nach vorn. Beachten Sie, daß das Gerät nach dem Loslassen des Ein-/Ausschalters eingeschaltet bleibt.
- ◆ Zum Ausschalten drücken Sie den hinteren Teil des Ein-/Ausschalters.

### Hinweise für optimale Arbeitsergebnisse

- ◆ Halten Sie das Werkzeug sicher mit der einen Hand am Zusatzhandgriff und mit der anderen Hand am Motorgehäuse fest (Abb. K).
- ◆ Behalten Sie beim Schleifen immer einen Winkel von ca. 15° zwischen der Scheibe und der Werkstückfläche bei (Abb. L).

## WARTUNG

Ihr Black & Decker Gerät wurde für eine lange Lebensdauer und einen möglichst geringen Wartungsaufwand entwickelt. Ein dauerhafter, einwandfreier Betrieb setzt eine regelmäßige Reinigung voraus.



Bevor Sie irgendwelche Wartungsarbeiten vornehmen, schalten Sie das Gerät aus und ziehen Sie den Netzstecker.

- ◆ Reinigen Sie regelmäßig die Lüftungsschlitze im Gerät mit Hilfe einer weichen Bürste oder eines trockenen Tuches.
- ◆ Reinigen Sie regelmäßig das Motorgehäuse mit Hilfe eines feuchten Tuches. Verwenden Sie keine scheuernden Reinigungsmittel oder Reinigungsmittel auf Lösungsmittelbasis.

## UMWELTSCHUTZ



Black & Decker nimmt Ihre ausgedienten Black & Decker Geräte gern zurück und sorgt für eine umweltfreundliche Entsorgung. Diese Dienstleistung ist für Sie kostenlos. Um diese Dienstleistung in Anspruch zu nehmen, geben Sie das Gerät bitte bei einer autorisierten Reparaturwerkstatt ab, die für uns die Einsammlung übernimmt.

Die Adresse des zuständigen Büros von Black & Decker finden Sie in dieser Anleitung, darüber läßt sich die nächstgelegene Vertragswerkstatt ermitteln. Außerdem ist eine Liste der Vertragswerkstätten und aller Kundendienststellen von Black & Decker sowie der zuständigen Ansprechpartner im Internet zu finden unter: [www.2helpU.com](http://www.2helpU.com).

## Technische Daten

	KG900	KG915
Spannung	V <sub>AC</sub> 230	230
Leistungsaufnahme	W 900	900
Leerlaufdrehzahl	min <sup>-1</sup> 10.000	10.000
Scheibendurchmesser	mm 100	115
Scheibenbohrung	mm 16	22
Spindelgröße	M10	M14
Gewicht	kg 2,1	2,1

## GARANTIE

Black & Decker vertraut auf die Qualität der eigenen Geräte und bietet dem Käufer eine außergewöhnliche Garantie. Diese Garantiezusage versteht sich unbeschadet der gesetzlichen Gewährleistungsansprüche und schränkt diese keinesfalls ein. Sie gilt in sämtlichen Mitgliedsstaaten der Europäischen Union und der Europäischen Freihandelszone EFTA.

Tritt innerhalb von 24 Monaten ab Kaufdatum an einem Gerät von Black & Decker ein auf Material- oder Verarbeitungsfehler zurückzuführender Mangel auf, garantiert Black & Decker den Austausch defekter Teile, die Reparatur von Geräten mit üblichem Verschleiß bzw. den Austausch eines mangelhaften Geräts, ohne den Kunden dabei mehr als unbedingt nötig in Anspruch zu nehmen, allerdings vorbehaltlich folgender Ausnahmen:

- ◆ wenn das Gerät gewerblich, beruflich oder im Verleihgeschäft benutzt wurde;
- ◆ wenn das Gerät mißbräuchlich verwendet oder mit mangelnder Sorgfalt behandelt wurde;
- ◆ wenn das Gerät durch irgendwelche Fremdeinwirkung beschädigt wurde;
- ◆ wenn ein unbefugter Reparaturversuch durch anderes Personal als das einer Vertragswerkstatt oder des Black & Decker-Kundendienstes unternommen wurde.

Zur Inanspruchnahme dieser Garantie ist dem Verkäufer bzw. der Vertragswerkstatt ein Kaufnachweis vorzulegen. Die Adresse des zuständigen Büros von Black & Decker steht in dieser Anleitung, darüber läßt sich die nächstgelegene Vertragswerkstatt ermitteln. Außerdem ist eine Liste der Vertragswerkstätten und aller Kundendienststellen von Black & Decker sowie der zuständigen Ansprechpartner im Internet zu finden unter: **[www.2helpU.com](http://www.2helpU.com)**.

## WEITERE HEIMWERKERGERÄTE

Black & Decker bietet ein großes Sortiment an Heimwerkergeräten an, die die Heimwerkerarbeit erheblich erleichtern. Für nähere Informationen zu den folgenden Geräten wenden Sie sich bitte an den Black & Decker Kundendienst (Adresse hinten in dieser Anleitung) oder an Ihren Händler.

Bohrmaschinen  
Bohrhämmer  
Akku-Schrauber  
Akku-Bohrschrauber  
Akku-Handkreissägen  
Schleifer  
Stichsägen  
Handkreissägen  
Kapp- und Gehrungssägen  
Universalsägen  
Winkelschleifer  
Hobel  
Oberfräsen  
Multifunktionsgeräte  
Akku-Multifunktionsgeräte  
Heißluftgeräte  
Tacker  
Werkbänke

Wir bieten auch ein großes Sortiment an Zubehörteilen für diese Geräte an.

Nicht alle Produkte sind in allen Ländern erhältlich.

## MEULEUSE D'ANGLE KG900/KG915

## FÉLICITATIONS !

Vous avez choisi un outil Black & Decker. Notre but est de fournir des outils de qualité au juste prix. Nous espérons que vous profiterez de cet outil pendant longtemps.

## DECLARATION DE CONFORMITE CE



## KG900/KG915

Black & Decker déclare que ces outils sont conformes aux normes:

98/37/CEE, 89/336/CEE, 73/23/CEE,  
EN 50144, EN 55014, EN 61000

Niveau de pression acoustique, mesuré suivant la norme EN 50144:

$L_{pA}$ (pression acoustique)	dB(A)	89,9
$L_{WA}$ (puissance acoustique)	dB(A)	102,9



Portez toujours des protections pour les oreilles (casque) lorsque le niveau de pression acoustique est supérieur à 85 dB(A).

Niveau de vibration main/bras selon la norme EN 50144:

< 2,5 m/s<sup>2</sup>

Kevin Hewitt  
Directeur du Développement  
Spennymoor, County Durham DL16 6JG,  
Royaume-Uni

## UTILISATION PREVUE

Votre meuleuse d'angle Black & Decker a été conçue pour découper le métal et le béton grâce à des disques de tronçonnage ou de meulage spécifiques. Elle peut aussi être utilisée pour poncer à l'aide d'un patin de ponçage et d'un disque de ponçage.

Cet outil a été conçu pour une utilisation exclusivement domestique.

## INSTRUCTIONS DE SECURITE

## Symboles de prévention

Les symboles suivants sont utilisés dans le présent manuel:



Risque de blessure, danger de mort ou risque de dégradation de l'outil en cas de non-respect des instructions du présent manuel.



Risque d'électrocution.



Lire le manuel avant d'utiliser l'outil.



Risque d'incendie.

## Découvrez votre outil



- ♦ **Attention!** Lors de l'utilisation d'outils électriques, observez les consignes fondamentales de sécurité, y compris celles qui suivent afin de réduire les risques d'incendie, de décharges électriques, de blessures et de dommages matériels.
- ♦ Lisez et observez attentivement les instructions avant d'utiliser l'outil.

- ◆ Avant d'utiliser l'outil, assurez-vous de savoir comment mettre votre outil à l'arrêt en cas d'urgence.
- ◆ Conservez ces instructions.

## Généralités

### 1. Tenez votre aire de travail propre et bien rangée

Le désordre augmente les risques d'accident.

### 2. Tenez compte des conditions ambiantes

N'exposez pas l'outil à la pluie. N'exposez pas l'outil à l'humidité. Veillez à ce que l'aire de travail soit bien éclairée. N'utilisez pas l'outil s'il existe un risque d'incendie ou d'explosion, par exemple en présence de liquides ou de gaz inflammables.

### 3. Tenez les enfants éloignés

Ne laissez pas les enfants, les visiteurs ou les animaux s'approcher de l'aire de travail ou toucher l'outil ou le câble d'alimentation.

### 4. Portez des vêtements de travail appropriés

Ne pas porter de vêtements flottants ou de bijoux. Ils pourraient être happés par les pièces en mouvement. Lors de travaux à l'extérieur, il est recommandé de porter des gants en caoutchouc et des chaussures à semelle anti-dérapante. Le cas échéant, attachez vos cheveux s'ils sont longs, ou couvrez vous la tête.

### 5. Protection

Portez toujours des lunettes de protection. Portez des lunettes de protection et un masque pour protéger le visage si le travail exécuté produit de la poussière ou des copeaux volants. Portez des protections auditives lorsque le niveau sonore semble gênant.

### 6. Protégez-vous des décharges électriques.

Veillez à ce que le corps n'entre pas en contact avec des surfaces reliées à la prise de masse ou de terre (par ex. Tuyaux, radiateurs, cuisinières et réfrigérateurs). Utilisez un interrupteur de protection contre les courants de court-circuits à haute sensibilité (30 mA / 30 mS) pour améliorer la sécurité électrique.

### 7. Adoptez une position confortable

Toujours tenir les deux pieds à terre et garder l'équilibre.

### 8. Faites preuve de vigilance

Observez votre travail. Faites preuve de bon sens. Ne pas employer l'outil en cas de fatigue.

### 9. Fixez bien la pièce à travailler

Pour plus de sécurité, fixez la pièce à travailler avec un dispositif de serrage ou un étiau. Ainsi, vous aurez les deux mains libres pour manier l'outil.

### 10. Branchez le dispositif d'extraction de poussière.

Si vous disposez de systèmes pour brancher les dispositifs d'extraction et de ramassage de poussière, assurez-vous qu'ils sont bien branchés et qu'ils fonctionnent correctement.

### 11. Enlevez les clés et outils de réglage

Avant de mettre l'outil en marche, retirez les clés et outils de réglage.

### 12. Rallonges

Vérifiez la rallonge avant de l'utiliser et remplacez-la en cas de dommage. Si vous souhaitez utiliser cet outil à l'extérieur, n'utilisez que des rallonges prévues à cet effet.

### 13. Utilisez l'outil adéquat

Le domaine d'utilisation de l'outil est décrit dans le présent manuel. Ne pas utiliser d'outils ou d'accessoires de trop faible puissance pour exécuter des travaux lourds. L'utilisation d'accessoires autres que ceux recommandés dans le présent manuel pourrait entraîner un risque de blessure. Ne forcez pas l'outil.

**Attention!** Utilisez l'outil conformément à sa destination.

### 14. Contrôlez les dommages éventuels de votre outil

Avant d'utiliser l'outil et le câble d'alimentation, vérifiez soigneusement qu'ils ne sont pas endommagés. Vérifiez l'alignement des pièces en mouvement, leur prise et toute rupture de pièces, tout dommage des protections et des interrupteurs et toute autre condition pouvant affecter le fonctionnement de l'outil. Veillez à ce que l'outil fonctionne correctement et qu'il exécute les tâches pour lesquelles il est prévu. N'utilisez pas l'outil si une pièce est défectueuse. Ne pas utiliser l'outil si l'interrupteur marche/arrêt ne fonctionne pas. Faites réparer ou échangez toute pièce endommagée par un service de réparation agréé. Ne tentez jamais de le réparer vous-même.

## 15. Retirez l'outil de la prise

Retirez l'outil de la prise lorsque l'outil n'est pas utilisé, avant de changer toute pièce de l'outil ou tout accessoire et avant de procéder à l'entretien.

## 16. Évitez tout démarrage involontaire

Ne portez pas l'outil avec un doigt sur l'interrupteur marche/arrêt. Assurez-vous que l'outil est en position d'arrêt avant de le brancher.

## 17. Ne tirez pas sur le câble d'alimentation

Ne portez jamais l'outil par le câble et ne tirez pas sur celui-ci pour le débrancher de la prise. Préservez le câble de la chaleur, de l'huile et des arêtes tranchantes.

## 18. Rangez vos outils dans un endroit sûr

Lorsque vous n'utilisez pas vos outils, rangez-les dans un endroit sec, fermé ou élevé, hors de portée des enfants.

## 19. Entretenez vos outils avec soin

Maintenez vos outils affûtés et propres afin de travailler mieux et plus sûrement. Suivez les instructions d'entretien et de changement d'accessoires. Maintenez les poignées et les interrupteurs secs, propres et exempts d'huile et de graisse.

## 20. Réparations

Cet outil est conforme aux conditions de sécurité requises. Les réparations devront uniquement être effectuées par des personnes qualifiées utilisant des pièces de rechange d'origine ; en cas contraire, cela pourrait être très dangereux pour l'utilisateur.

### Consignes de sécurité supplémentaires pour les meuleuses d'angle.



Portez des lunettes de sécurité lorsque vous utilisez cet outil.



Portez des protections auditives lorsque vous utilisez cet outil.



Portez des gants lorsque vous utilisez cet outil.



Ne tronçonnez pas ou ne meulez pas de métaux légers avec un mélange d'une contenance en magnésium de plus de 80%, car ce type de métal est inflammable.

- ◆ N'utilisez que des disques de meulage et de tronçonnage ou d'autres accessoires recommandés dans ce manuel.
- ◆ Assurez-vous que la vitesse maximale du disque de meulage ou de tronçonnage dépasse la vitesse à vide de l'outil.
- ◆ Ne tronçonnez pas de pièces exigeant une profondeur de coupe plus grande que celle du disque de tronçonnage.
- ◆ N'utilisez jamais l'outil sans carter protecteur, sauf pour le ponçage.
- ◆ N'exercez pas de pression latérale sur le disque de meulage ou de tronçonnage.
- ◆ N'utilisez cet outil que comme un outil portatif.

### Ponçage

- ◆ Portez un masque contre la poussière lorsque vous poncez.
- ◆ Enlevez soigneusement toute poussière après le ponçage.
- ◆ Faites spécialement attention lorsque vous poncez de la peinture pouvant être à base de plomb ou lorsque vous poncez des bois et des métaux pouvant produire de la poussière toxique.
  - Portez un masque contre la poussière spécialement conçu pour vous protéger de la poussière des peintures à base de plomb et des fumées et veillez à ce que les personnes se trouvant à l'intérieur de la zone de travail ou y pénétrant soient également protégées.
  - Ne laissez pas les enfants ou les femmes enceintes entrer dans la zone de travail.
  - Ne mangez pas, ne buvez pas ou ne fumez pas dans la zone de travail.
  - Nettoyez l'outil de toutes particules de poussière et autre débris.

### SECURITE ELECTRIQUE

Le moteur électrique a été conçu pour une seule tension. Vérifiez si la tension secteur correspond à la tension indiquée sur la plaque d'identification.



Cet outil à double isolation est conforme à la norme EN 50144; un branchement à une prise de terre n'est donc pas nécessaire.



Toujours utiliser la fiche prescrite lors du remplacement du câble d'alimentation.  
Type 11 pour la classe II - double isolation

### Câbles de rallonge

Utilisez un câble de rallonge adapté à la puissance absorbée de cet outil (voir les caractéristiques techniques). La section minimum du conducteur est de 1,5 mm<sup>2</sup>. Avant d'utiliser l'outil, vérifiez que le câble n'est ni endommagé ni usé. Changez le câble de rallonge s'il est endommagé. En cas d'utilisation d'un dévidoir, déroulez toujours le câble complètement. L'utilisation d'une rallonge non adaptée ou endommagée ou défectueuse peut entraîner un risque d'incendie ou d'électrocution.

### CONTENU DE LA BOITE

La boîte contient :

- 1 Meuleuse d'angle
- 1 Poignée latérale
- 1 Disque de tronçonnage ou de meulage
- 1 Jeu de flasques
- 1 Clé à deux griffes
- 1 Manuel d'instructions

- ◆ Déballez soigneusement toutes les pièces.
- ◆ La boîte peut contenir encore d'autres articles, en fonction de la lettre qui figure après le numéro de catalogue de votre outil.

### APERÇU (fig. A)

1. Interrupteur marche/arrêt
2. Poignée latérale
3. Verrouillage de l'arbre
4. Carter de protection
5. Disque de tronçonnage ou de meulage

### ASSEMBLAGE



Avant d'effectuer l'une des opérations suivantes, assurez-vous que l'outil est bien éteint et débranché et que le disque a cessé de tourner.

### Démontage et remontage du carter de protection



N'utilisez jamais l'outil sans carter de protection, sauf pour le ponçage.

#### Démontage (fig. B)

L'outil est pourvu d'un carter de protection. Pour le ponçage, vous pouvez enlever le carter comme indiqué ci-dessous.

- ◆ Retirez le flasque externe, le disque et le flasque interne comme décrit ci-après.
- ◆ Utilisez un tournevis pour enlever les vis (6).
- ◆ Retirez le flasque (7), le carter (4) et la rondelle à ressort (8). Rangez ces pièces dans un endroit sûr.

#### Remontage (fig. C)

- ◆ Placez l'outil sur une table, arbre (9) tourné vers le haut.
- ◆ Placez la rondelle à ressort (8) sur l'arbre et engagez-la dans l'épaulement (10).
- ◆ Placez le carter de protection sur l'outil selon le schéma.
- ◆ Placez le flasque (11) sur l'arbre avec les lèvres protubérantes dirigées vers le carter. Assurez-vous que les trous du flasque sont alignés avec les trous pour les vis.
- ◆ Fixez le flasque avec les vis (6). Vérifiez que les vis sont bien serrées et que le carter de protection peut tourner.

### Montage de la poignée latérale (fig. A)



Utilisez toujours la poignée latérale.

- ◆ Vissez la poignée latérale (2) dans l'un des trous de montage de l'outil.

### Montage et démontage des disques de meulage ou de tronçonnage (fig. A, D – G).



Utilisez toujours le bon type de disque adapté à votre application. Utilisez toujours des disques d'un diamètre correct et avec la bonne taille d'alésage (voir caractéristiques techniques).

L'épaisseur maximale des disques de meulage est de 6 mm, et de 3,5 mm pour les disques de tronçonnage.

## Montage

- ◆ Remettez le carter en place comme indiqué ci-dessus si vous l'avez démonté.
- ◆ Placez le flasque intérieur (12) sur l'arbre (9) comme indiqué (fig. D). Assurez-vous que le flasque est bien mis en place sur les côtés plats de l'arbre.
- ◆ Placez le disque (5) sur l'arbre (9) comme indiqué (fig. E). Si le disque comporte un centre surélevé (13), assurez-vous que le centre surélevé est bien en face du flasque intérieur.
- ◆ Assurez-vous que le disque est bien en place sur le flasque intérieur.
- ◆ Placez le flasque extérieur (14) sur l'arbre. Lors du montage du disque de meulage, le centre surélevé sur le flasque extérieur doit faire face au disque (A dans fig. F). Lors du montage du disque de tronçonnage, le centre surélevé sur le flasque extérieur doit être opposé au disque (B dans fig. F).
- ◆ Appuyez sur le bouton de verrouillage de l'arbre (3) et serrez le flasque extérieur à l'aide de la clé à deux griffes (15) (fig. A et G). Vérifiez que le flasque extérieur est correctement posé pour le type de disque utilisé et que le disque est fermement fixé.

## Démontage

- ◆ Appuyez sur le bouton de verrouillage de l'arbre (3) et desserrez le flasque extérieur (14) à l'aide de la clé à deux griffes (15) (fig. A et G).
- ◆ Enlevez le flasque extérieur (14) et le disque (5).

## Installation et retrait des disques de ponçage (fig. A, H & I)

Il est nécessaire d'utiliser un patin de ponçage pour le ponçage. Vous pourrez vous procurer un patin de ponçage auprès d'un revendeur Black & Decker.

## Montage

- ◆ Retirez le carter de protection comme indiqué ci-dessus.
- ◆ Placez le flasque intérieur (12) sur l'arbre (9) comme indiqué (fig. H).

Assurez-vous que le flasque est bien mis en place sur les côtés plats de l'arbre.

- ◆ Placez le patin de ponçage (16) sur l'arbre.
- ◆ Placez le disque de ponçage (17) sur le patin de ponçage.
- ◆ Placez le flasque extérieur (14) sur l'arbre avec le centre surélevé face opposée à celle du disque.
- ◆ Appuyez sur le bouton de verrouillage de l'arbre (3) et serrez le flasque extérieur à l'aide de la clé à deux griffes (15) (fig. A et I). Vérifiez que le flasque extérieur est correctement posé et que le disque est fermement fixé.

## Démontage

- ◆ Appuyez sur le bouton de verrouillage de l'arbre (3) et desserrez le flasque extérieur (14) à l'aide de la clé à deux griffes (15) (fig. A et I).
- ◆ Enlevez le flasque extérieur (14), le disque de ponçage (17) et le patin de ponçage (16).



Après le ponçage, remplacez le carter de protection sur l'outil.

## UTILISATION



Laissez l'outil fonctionner à sa propre vitesse. Ne le surchargez pas.

- ◆ Guidez le câble avec soin pour ne pas le couper par mégarde.
- ◆ Attendez-vous à un jet d'étincelles lorsque le disque de meulage ou de tronçonnage touche la pièce à travailler.
- ◆ Placez toujours l'outil de telle sorte que le carter de protection puisse vous protéger au maximum du disque de meulage ou de tronçonnage.



Portez des lunettes de sécurité lorsque vous utilisez cet outil.

## Démarrage et arrêt (fig. J)

- ◆ Pour mettre l'appareil en marche, faites glisser le bouton marche/arrêt (1) vers l'avant. Vous remarquerez que l'outil continue à fonctionner lorsque vous relâchez le bouton.
- ◆ Pour éteindre l'outil, appuyez sur la partie arrière du bouton de marche/arrêt.



### Conseils pour une utilisation optimale

- ◆ Pour tenir l'outil, tenez d'une main la poignée latérale, et placez votre autre main autour du carter du moteur (fig. K).
- ◆ Lors du meulage, conservez toujours un angle d'environ 15° entre le disque et la surface de la pièce à travailler (fig. L).

### ENTRETIEN

Votre outil Black & Decker a été conçu pour fonctionner durablement avec un minimum d'entretien. Un fonctionnement continu satisfaisant dépend d'un nettoyage régulier et d'un entretien de l'outil approprié.



Avant d'effectuer tout entretien, éteignez et débranchez l'outil.

- ◆ Nettoyez régulièrement les orifices de ventilation de votre outil à l'aide d'une brosse douce ou d'un chiffon sec.
- ◆ Nettoyez régulièrement le carter du moteur à l'aide d'un chiffon humide. N'utilisez pas de produit abrasif ou à base de solvant.

### PROTECTION DE L'ENVIRONNEMENT



Black & Decker fournit un dispositif permettant de recycler les produits Black & Decker lorsqu'ils ont atteint la fin de leur cycle de vie. Ce service est gratuit. Pour pouvoir profiter de ce service, veuillez retourner votre produit à un réparateur agréé qui se chargera de le collecter pour nous.

Pour connaître l'adresse du réparateur agréé le plus proche de chez vous, contactez le bureau Black & Decker à l'adresse indiquée dans ce manuel. Vous pourrez aussi trouver une liste des réparateurs agréés de Black & Decker et de plus amples détails sur notre service après-vente sur le site Internet à l'adresse suivante : [www.2helpU.com](http://www.2helpU.com).

### Caractéristiques techniques

		KG900	KG915
Tension	V <sub>AC</sub>	230	230
Puissance absorbée	W	900	900
Vitesse à vide	min <sup>-1</sup>	10.000	10.000
Diamètre du disque	mm	100	115
Alésage du disque	mm	16	22
Taille de l'arbre		M10	M14
Poids	kg	2,1	2,1

### GARANTIE

Black & Decker est confiant dans la qualité de ses produits et vous offre une garantie très étendue. Ce certificat de garantie est un document supplémentaire et ne peut en aucun cas se substituer à vos droits légaux. La garantie est valable sur tout le territoire des Etats Membres de l'Union Européenne et de la Zone de Libre Echange Européenne.

Si un produit Black & Decker s'avère défectueux en raison de matériaux en mauvaises conditions, d'une erreur humaine, ou d'un manque de conformité dans les 24 mois suivant la date d'achat, Black & Decker garantit le remplacement des pièces défectueuses, la réparation des produits usés ou cassés ou remplace ces produits à la convenance du client, sauf dans les circonstances suivantes :

- ◆ Le produit a été utilisé dans un but commercial, professionnel, ou a été loué.
- ◆ Le produit a été mal utilisé ou avec négligence.
- ◆ Le produit a subi des dommages à cause d'objets étrangers, de substances ou à cause d'accidents.
- ◆ Des réparations ont été tentées par des techniciens ne faisant pas partie du service technique de Black & Decker.

Pour avoir recours à la garantie, il est nécessaire de fournir une preuve d'achat au vendeur ou à un réparateur agréé. Pour connaître l'adresse du réparateur agréé le plus proche de chez vous, contactez le bureau Black & Decker à l'adresse indiquée dans ce manuel.

Vous pourrez aussi trouver une liste des réparateurs agréés de Black & Decker et de plus amples détails sur notre service après-vente sur le site Internet à l'adresse suivante :

**[www.2helpU.com](http://www.2helpU.com)**.

## AUTRES OUTILS DE BRICOLAGE

Black & Decker possède une gamme complète d'outils rendant le bricolage facile. Si vous souhaitez obtenir de plus amples renseignements sur les produits suivants, veuillez contacter notre Centre de Service et d'Information (voir la page d'adresse à la fin de ce manuel) ou vous adresser à votre revendeur Black & Decker local.

Perceuses

Tournevis sans fil

Perceuses / Tournevis sans fil

Ponceuses

Scies sauteuses

Scies circulaires

Scies à onglets

Meuleuses

Rabots

Défonceuses

Outils multifonction sans fil et avec fil

Décapeurs thermiques

Décolleuse à papier peints

Etablis

Nous disposons également d'une large gamme d'accessoires pour les outils mentionnés ci-dessus.

Tous les produits ne sont pas disponibles dans tous les pays.

# SMERIGLIATRICE ANGOLARE KG900/KG915

## CONGRATULAZIONI!

Lei ha scelto un utensile Black & Decker. Il nostro obiettivo è fornire utensili di qualità ad un prezzo contenuto. Desideriamo che questo utensile sia di suo gradimento e lo possa usare per molti anni.

## DICHIARAZIONE CE DI CONFORMITÀ



### KG900/KG915

Black & Decker dichiara che questi utensili sono stati costruiti in conformità a: 98/37/CEE, 89/336/CEE, 73/23/CEE, EN 50144, EN 55014, EN 61000

Livello di rumorosità, dati ricavati in base alla norma EN 50144:

$L_{pA}$ (rumorosità)	dB(A)	89,9
$L_{WA}$ (potenza sonora)	dB(A)	102,9



Prendere appropriate misure a protezione dell'udito qualora il livello acustico superasse gli 85 dB(A).

Il valore medio quadratico ponderato dell'accelerazione secondo EN 50144:

< 2,5 m/s<sup>2</sup>

Kevin Hewitt

Direttore di Ricerca e Sviluppo  
Spennymoor, County Durham DL16 6JG,  
United Kingdom

## USO PROGETTATO

La smerigliatrice angolare Black & Decker è stata messa a punto per tagliare metalli e muratura mediante il disco abrasivo o da taglio appropriato e consente inoltre di smerigliare mediante un platorello ed un disco smerigliatore.

L'utensile è stato progettato per un uso individuale.

## ISTRUZIONI DI SICUREZZA

### Simboli di sicurezza

I seguenti simboli vengono usati nel presente manuale:



Indica rischio di infortunio, pericolo di morte o danno all'apparecchio qualora non ci si attenga alle istruzioni contenute nel presente manuale.



Indica pericolo di scossa elettrica.



Leggere attentamente il manuale prima di utilizzare l'utensile.



Pericolo d'incendio.

### Conoscere l'utensile



- ◆ **Attenzione!** Quando si impiegano utensili alimentati elettricamente, per ridurre il rischio di incendio, di scosse elettriche e danni a persone e cose è necessario seguire sempre delle precauzioni di sicurezza basilari, incluso le seguenti:
  - ◆ Prima di adoperare l'utensile, leggere attentamente le istruzioni di cui al presente manuale.

- ◆ Prima di far funzionare l'utensile, assicuratevi di conoscere come spegnere l'utensile in caso di emergenza.
- ◆ Conservare queste istruzioni per utilizzarle in futuro.

## Norme generali

### 1. Tenere pulita l'area di lavoro

Ambienti e banchi di lavoro in disordine possono essere causa d'incidenti.

### 2. Tener presenti le caratteristiche dell'ambiente di lavoro

Non lasciare l'utensile sotto la pioggia. Non usare l'utensile in ambienti carichi di umidità. Tenere ben illuminata l'area di lavoro. Non usare l'utensile quando vi sia rischio di provocare un incendio o una esplosione, per es. in luoghi con atmosfera gassosa o infiammabile.

### 3. Tenere i bambini lontani dall'area di lavoro

Non permettere a bambini, altre persone o animali di avvicinarsi alla zona di lavoro, toccare l'utensile o il cavo di alimentazione.

### 4. Usare il vestiario appropriato

Evitare l'uso di abiti svolazzanti, catenine, ecc. in quanto potrebbero rimanere impigliati nelle parti mobili dell'utensile. Lavorando all'aperto indossare guanti di gomma e scarpe con soles antisdrucciolo. Raccogliere i capelli se si portano lunghi.

### 5. Protezione personale

Indossate occhiali di sicurezza. Indossate una mascherina contro la polvere ogni volta che l'uso dell'utensile provochi polvere o schegge. Indossate cuffie acustiche quando consideriate che il livello acustico sia troppo alto.

### 6. Fare attenzione alle scosse elettriche

Evitare il contatto con le superfici messe a terra (ad esempio tubi, radiatori, cuocitori e refrigeratori). La sicurezza elettrica può essere ulteriormente ampliata utilizzando un dispositivo a corrente residua (RCD) ad alta sensibilità (30 mA / 30 mS).

### 7. Non sbilanciarsi

Mantenere sempre un buon equilibrio evitando posizioni malsicure.

### 8. Stare sempre attenti

Prestare attenzione a quanto si sta facendo.

Usare il proprio buon senso. Non utilizzare l'utensile quando si è stanchi.

### 9. Bloccare il pezzo da lavorare

Usare pinze o morse per bloccare il pezzo da lavorare. Ciò aumenta la sicurezza e consente di mantenere entrambe le mani libere per operare meglio.

### 10. Connettere l'apparecchiatura aspirapolvere

Se sono forniti i dispositivi per la connessione delle macchina aspirazione e raccolta della polvere, verificare che vengano collegati e utilizzati correttamente.

### 11. Non lasciare sull'utensile chiavi o strumenti di misura

Prima di mettere in funzione l'utensile abbiate cura di togliere chiavi e altri strumenti.

### 12. Prolunghe

Ispezionare la prolunga prima dell'uso e sostituirla se è danneggiata. Quando l'utensile viene impiegato all'esterno, usare unicamente le prolunghe per uso esterno.

### 13. Adoperare l'utensile adatto alla situazione

L'utilizzo previsto è quello indicato nel presente manuale. Non forzare utensili e accessori di potenza limitata impiegandoli per lavori destinati ad utensili di maggiore potenza. Non forzare l'utensile.

**Attenzione!** L'uso di accessori o attrezzature diversi o l'impiego del presente utensile per scopi diversi da quelli indicati nel presente manuale d'uso comportano il rischio di infortuni.

### 14. Controllare che non vi siano parti danneggiate

Prima dell'uso, ispezionare accuratamente l'utensile e il cavo elettrico per rilevare eventuali danni. Controllate se ci sono parti non allineate o parti mobili con gioco, pezzi rotti, danni alle protezioni o agli interruttori e qualsiasi altra condizione che possa ripercuotere nel funzionamento dell'utensile. Accertare che l'utensile funzioni come previsto e che venga impiegato per lo scopo per cui è stato progettato. Non usate l'utensile se presenta elementi danneggiati o difettosi. Non impiegare l'utensile se non è possibile accenderlo e spegnerlo mediante l'interruttore. Eventuali componenti difettosi o danneggiati vanno sostituiti o riparati da un tecnico autorizzato.

Non tentare mai di effettuare delle riparazioni.

#### 15. Estrarre la spina dalla presa di alimentazione

Estrarre la spina dalla presa di alimentazione quando l'utensile non è in uso, o prima di cambiare pezzi, accessori o complementi o prima di eseguire lavori di manutenzione.

#### 16. Evitate di avviare l'utensile quando non è necessario

Non portate l'utensile con il dito sull'interruttore. Prima di collegare l'utensile alla presa, verificare che sia spento.

#### 17. Non forzate il cavo di collegamento elettrico

Non sostenere mai l'utensile mediante il cavo né tirare quest'ultimo per estrarne la spina dalla presa. Mantenete il cavo lontano da fonti di calore, olio e spigoli taglienti.

#### 18. Conservazione dell'utensile dopo l'uso

Quando non vengono usati, gli utensili vanno conservati in un luogo asciutto e inaccessibile (sottochiave o in alto), fuori dalla portata dei bambini.

#### 19. Mantenere l'utensile con cura

Mantenere gli utensili da taglio affilati e puliti in modo da ottenere una miglior e più sicura resa. Seguire le istruzioni di manutenzione e cambio di accessori. Mantenere le impugnature e gli interruttori asciutti, puliti e senza tracce di olio o grassi.

#### 20. Riparazioni

Questo utensile è conforme ai relativi requisiti di sicurezza. Le riparazioni devono essere eseguite soltanto da personale qualificato e con pezzi di ricambio originali, per evitare di esporre gli utenti a considerevoli rischi.

#### Istruzioni di sicurezza supplementari per le smerigliatrici angolari



Indossate sempre occhiali di protezione quando fate funzionare questo utensile.



Indossate sempre protezioni acustiche quando fate funzionare questo utensile.



Indossate guanti quando fate funzionare questo utensile.



In quanto infiammabili, i metalli in lega leggera con un tenore di magnesio superiore all'80% non vanno sottoposti a taglio né a smerigliatura.

- ◆ Utilizzare esclusivamente i dischi abrasivi, i dischi da taglio e gli altri accessori suggeriti nel presente manuale.
- ◆ Accertare che la massima velocità del disco abrasivo o da taglio superi la velocità a vuoto dell'utensile.
- ◆ Non tagliare pezzi che richiedono una profondità di taglio superiore a quella del disco da taglio.
- ◆ Non usare mai l'utensile senza il riparo, tranne che per levigare.
- ◆ Non sottoporre a pressione laterale il disco abrasivo o da taglio.
- ◆ Questo utensile va utilizzato solo come utensile manuale.

#### Levigatura

- ◆ Indossare una mascherina durante le operazioni di levigazione.
- ◆ Dopo la levigazione, rimuovere tutta la polvere.
- ◆ Fate molta attenzione quando si levigano vernici che probabilmente contengono il piombo come componente di base o quando si levigano certi legni e metalli la cui polvere può essere tossica:
  - Indossare una mascherina di protezione specifica per fumi e polveri di vernice di piombo e verificare che anche le persone presenti o in arrivo nell'area di lavoro siano adeguatamente protette.
  - Vietare l'ingresso nell'area di lavoro a bambini o donne in gravidanza.
  - Non mangiare, bere o fumare nell'area di lavoro.
  - Eliminare la polvere e i rifiuti prendendo le necessarie misure di sicurezza.

#### SICUREZZA ELETTRICA

Il motore elettrico è stato predisposto per operare con un unico voltaggio. Assicuratevi che il voltaggio a disposizione corrisponda a quello indicato sulla targhetta.



L'utensile è fornito di doppio isolamento, in ottemperanza alla norma EN 50144, per la quale non è richiesta la messa a terra.

CH

Per la sostituzione del cavo di alimentazione, utilizzate sempre la spina di tipo prescritto. Tipo 11 per la classe II - doppio isolamento

## Impiego di una prolunga

Utilizzate soltanto cavi di prolunga di tipo omologato e di dimensione idonee a garantire l'alimentazione elettrica dell'utensile (vedere le caratteristiche tecniche). La dimensione minima del conduttore è 1,5 mm<sup>2</sup>. Prima dell'uso, controllare che la prolunga non presenti segni di danni, usura e invecchiamento. Una prolunga danneggiata o difettosa va sempre sostituita. Se si utilizza un avvolgitore, estrarre il cavo per l'intera lunghezza. Usare una prolunga non adatta alla corrente di ingresso dell'utensile, o una prolunga danneggiata o difettosa, può provocare rischi di incendio e di scosse elettriche.

## CONTENUTO DELLA SCATOLA

La scatola contiene:

- 1 Smerigliatrice angolare
- 1 Impugnatura laterale
- 1 Disco abrasivo o da taglio
- 1 Flange
- 1 Chiave a settore con due naselli
- 1 Libretto d'istruzioni

- ◆ Disimballate con cura tutte le parti.
- ◆ Il contenuto dell'imballaggio può variare in base alle lettere del suffisso che seguono il numero di serie sull'attrezzo.

## L'INSIEME (fig. A)

1. Interruttore acceso/spento
2. Impugnatura laterale
3. Blocco dell'alberino
4. Protezione
5. Disco abrasivo o da taglio

## MONTAGGIO



Prima di tentare una delle seguenti operazioni, accertare che l'utensile sia spento, che la spina sia disinserita dalla presa e che il disco non ruoti più.

## Rimozione e reinstallazione del riparo



Non usare mai l'utensile senza il riparo, tranne che per levigare.

## Rimozione (fig. B)

Questo utensile è munito di un riparo. Per le operazioni esclusivamente di levigazione, il riparo può essere smontato, come segue.

- ◆ Asportare la flangia esterna, il disco e la flangia interna, come descritto di seguito.
- ◆ Estrarre le viti (6) con un cacciavite.
- ◆ Asportare la flangia (8), il riparo (4) e la rondella elastica (8). Conservare questi elementi in un luogo sicuro.

## Rimontaggio (fig. C)

- ◆ Collocare l'utensile su un tavolo, con il mandrino (9) rivolto verso l'alto.
- ◆ Collocare la rondella elastica (8) sopra il mandrino e metterlo sulla spalla (10).
- ◆ Mettere il riparo sull'utensile, come illustrato.
- ◆ Collocare la flangia (11) sopra il mandrino, con le protuberanze in direzione del riparo. Verificare che i fori della flangia siano allineati ai fori delle viti.
- ◆ Bloccare la flangia con le viti (6). Verificare che le viti siano ben salde e che sia possibile ruotare il riparo.

## Installazione dell'impugnatura laterale (fig. A)



Utilizzare sempre l'impugnatura laterale.

- ◆ Avvitare l'impugnatura laterale (2) in uno dei fori di montaggio dell'utensile.

### Montaggio e smontaggio dei dischi abrasivi o da taglio (fig. A, D - G)



Usare sempre il tipo di disco giusto per il lavoro. Adoperare sempre dischi adatti per diametro e dimensione del foro (v. dati tecnici). Lo spessore massimo per i dischi abrasivi è 6 mm, per i dischi da taglio 3,5 mm.

#### Montaggio

- ◆ Se è stato smontato, montare il riparo come descritto sopra.
- ◆ Collocare la flangia interna (12) sul mandrino (9), come illustrato (fig. D). Accertare che la flangia sia alloggiata correttamente sui lati piatti del mandrino.
- ◆ Collocare il disco (5) sul mandrino (9), come illustrato (fig. E). Se il disco è sollevato al centro (13), accertare che la parte sollevata sia rivolta verso la flangia interna.
- ◆ Accertare che il disco alloggi correttamente sulla flangia interna.
- ◆ Collocare la flangia esterna (14) sul mandrino. Quando s'installa un disco abrasivo, il centro sollevato sulla flangia esterna deve essere rivolto verso il disco (A nella fig. F). Quando s'installa un disco da taglio, il centro sollevato sulla flangia esterna deve essere rivolto in direzione opposta al disco (B nella fig. F).
- ◆ Mantenere premuto il blocco del mandrino (3) e serrare la flangia esterna mediante la chiave a settore con due naselli (15) (fig. A & G). Verificare che la flangia esterna sia alloggiata correttamente in base al tipo di disco usato e che il disco sia bloccato saldamente.

#### Rimozione

- ◆ Mantenere premuto il blocco del mandrino (3) e allentare la flangia esterna (14) mediante la chiave a settore con due naselli (15) (fig. A & G).
- ◆ Asportare la flangia esterna (14) e il disco (5).

### Montaggio e smontaggio dei dischi smerigliatori (fig. A, H & I)

Per levigare è necessario l'utilizzo di un platorello. Il platorello è disponibile come accessorio presso il concessionario Black & Decker di fiducia.

#### Montaggio

- ◆ Smontare il riparo come descritto sopra.
- ◆ Collocare la flangia interna (12) sul mandrino (9), come illustrato (fig. H). Accertare che la flangia sia alloggiata correttamente sui lati piatti del mandrino.
- ◆ Collocare il platorello (16) sul mandrino.
- ◆ Collocare il disco smerigliatore (17) sul platorello.
- ◆ Disporre sul mandrino la flangia esterna (14) in modo che il centro sollevato sia rivolto in direzione opposta al disco.
- ◆ Mantenere premuto il blocco del mandrino (3) e serrare la flangia esterna mediante la chiave a settore con due naselli (15) (fig. A & I). Verificare che la flangia esterna sia alloggiata correttamente e che il disco sia bloccato saldamente.

#### Rimozione

- ◆ Mantenere premuto il blocco del mandrino (3) e allentare la flangia esterna (14) mediante la chiave a settore con due naselli (15) (fig. A & I).
- ◆ Asportare la flangia esterna (14), il disco smerigliatore (17) e il platorello (16).



Dopo la levigatura, montare di nuovo il riparo sull'utensile.

#### IMPIEGO



Lasciate che l'utensile lavori al proprio ritmo. Non sovraccaricarlo.

- ◆ Disporre con cura il cavo per evitare di tagliarlo involontariamente.
- ◆ Quando il disco abrasivo o da taglio tocca il pezzo da lavorare si producono molte scintille.
- ◆ Collocare l'utensile sempre in modo che il riparo offra una protezione ottimale dal disco abrasivo o da taglio.



Indossate sempre occhiali di protezione quando fate funzionare questo utensile.

#### Avviamento e spegnimento (fig. J)

- ◆ Per accendere l'utensile, far slittare in avanti l'interruttore on/off (1).

Osservare che quando si lascia l'interruttore l'utensile continua a funzionare .

- ◆ Per spegnere l'utensile, premere il lato posteriore dell'interruttore on/off.

## Consigli per un'ottima utilizzazione

- ◆ Mantenere saldamente l'utensile con una mano attorno all'impugnatura laterale e l'altra attorno al vano del motore (fig. K).
- ◆ Durante la levigatura, mantenere sempre un angolo di circa 15° tra il disco e la superficie del pezzo lavorato (fig. L).

## MANUTENZIONE

Il vostro utensile Black & Decker è stato progettato per funzionare durante un lungo periodo di tempo con un minimo di manutenzione. Il funzionamento continuo e soddisfacente dipende dall'adeguata cura dell'utensile e da pulizie sistematiche.



Prima di eseguire qualsiasi manutenzione, spegnete l'utensile e disinseritelo dalla spina.

- ◆ Le prese di ventilazione dell'utensile vanno pulite regolarmente con un pennello morbido o un panno asciutto.
- ◆ Il vano del motore va pulito regolarmente con un panno umido. Non usare materiali abrasivi o detergenti a base di solventi.

## PROTEZIONE DELL'AMBIENTE



Black & Decker offre ai suoi clienti la possibilità di riciclare i prodotti Black & Decker che hanno esaurito la loro vita di servizio. Il servizio viene offerto gratuitamente. Per utilizzarlo, è sufficiente restituire il prodotto a qualsiasi tecnico autorizzato, incaricato della raccolta per conto dell'azienda.

Per individuare il tecnico autorizzato più vicino, rivolgersi alla sede Black & Decker locale, presso il recapito indicato nel presente manuale. Altrimenti un elenco completo di tutti i tecnici autorizzati Black & Decker e i dettagli completi sui contatti e i servizi post-vendita sono disponibili su Internet presso: [www.2helpU.com](http://www.2helpU.com).

## Dati tecnici

		KG900	KG915
Tensione	V <sub>AC</sub>	230	230
Potenza assorbita	W	900	900
Velocità senza carico	min <sup>-1</sup>	10.000	10.000
Diametro del disco	mm	100	115
Foro del disco	mm	16	22
Dimensione del mandrino		M10	M14
Peso	kg	2,1	2,1

## GARANZIA

Certa della qualità dei suoi prodotti, Black & Decker offre una garanzia eccezionale. Il presente certificato di garanzia è complementare ai diritti statutari e non li pregiudica in alcun modo. La garanzia è valida entro il territorio degli Stati membri dell'Unione Europea e dell'EFTA (European Free Trade Area).

Se un prodotto Black & Decker risulta difettoso per qualità del materiale, della costruzione o per mancata conformità entro 24 mesi dalla data di acquisto, Black & Decker garantisce la sostituzione delle parti difettose, provvede alla riparazione dei prodotti se ragionevolmente usati oppure alla loro sostituzione, in modo da ridurre al minimo il disagio del cliente a meno che:

- ◆ Il prodotto non sia stato destinato ad usi commerciali, professionali o al noleggio;
- ◆ Il prodotto non sia stato usato in modo improprio o scorretto;
- ◆ Il prodotto non abbia subito danni causati da oggetti o sostanze estranee oppure incidenti;
- ◆ Il prodotto non abbia subito tentativi di riparazione non effettuati da tecnici autorizzati né dall'assistenza Black & Decker.



Per attivare la garanzia è necessario esibire la prova comprovante l'acquisto al venditore o al tecnico autorizzato. Per individuare il tecnico autorizzato più vicino, rivolgersi alla sede Black & Decker locale, presso il recapito indicato nel presente manuale. Altrimenti un elenco completo di tutti i tecnici autorizzati Black & Decker e i dettagli completi sui contatti e i servizi post-vendita sono disponibili su Internet presso: **www.2helpU.com**.

#### ALTRI UTENSILI PER L'HOBBISTICA

La Black & Decker ha una gamma completa di utensili che rendono semplice l'hobbistica.

Se desiderate ulteriori informazioni sui seguenti prodotti, Vi preghiamo di contattare il nostro Centro di Servizio ed Informazione (vedere la pagina con l'indirizzi verso la fine di questo libretto) o il vostro rivenditore Black & Decker.

Trapani  
Svitavvita a batteria  
Trapani/avvitatori a batteria  
Levigatrici  
Seghetti alternativi  
Seghe circolari  
Troncatrici  
Smerigliatrici  
Pialle  
Fresatrici  
Utensili multifunzione elettrici ed a batteria  
Pistole termiche  
Banchi di lavoro

Abbiamo inoltre una vasta gamma di accessori per questi utensili.

Non tutti i prodotti sono in vendita in tutti i paesi.

# HAAKSE SLIJPER KG900/KG915

## GEFELICITEERD!

U heeft gekozen voor een machine van Black & Decker. Ons doel is om kwaliteitsproducten te leveren tegen een betaalbare prijs. Wij vertrouwen erop dat u aan het gebruik van deze machine jarenlang plezier zult beleven.

## EG-VERKLARING VAN OVEREENSTEMMING



### KG900/KG915

Black & Decker verklaart dat deze elektrische machines in overeenstemming zijn met:  
98/37/EEG, 89/336/EEG, 73/23/EEG, EN 50144, EN 55014, EN 61000

Niveau van de geluidsdruk, gemeten volgens EN 50144:

$L_{pA}$ (geluidsdruk)	dB(A)	89,9
$L_{WA}$ (geluidsvermogen)	dB(A)	102,9



Neem de vereiste maatregelen voor gehoorbescherming wanneer de geluidsdruk het niveau van 85 dB(A) overschrijdt.

Gewogen kwadratische gemiddelde waarde van de versnelling overeenkomstig EN 50144:

$< 2,5 \text{ m/s}^2$
-----------------------

Kevin Hewitt  
Director of Consumer Engineering  
Spennymoor, County Durham DL16 6JG,  
United Kingdom

## GEBRUIK VOLGENS BESTEMMING

Uw haakse slijper van Black & Decker is ontwikkeld voor het slijpen van metaal en metselwerk, met behulp van de bijbehorende doorslijp- of slijpschijf. Met behulp van een steunschijf en schuurschijf is deze machine ook geschikt voor schuurwerkzaamheden.

Deze machine is uitsluitend bestemd voor consumentengebruik.

## VEILIGHEIDSVOORSCHRIFTEN

### Pictogrammen

In deze handleiding worden de volgende pictogrammen gebruikt:



Duidt op mogelijk lichamelijk letsel, levensgevaar of kans op beschadiging van de machine indien de instructies in deze handleiding worden genegeerd.



Geeft elektrische spanning aan.



Lees de handleiding voordat u met de machine gaat werken.



Brandgevaar.

### Ken uw machine



- ♦ **Waarschuwing!** Bij het gebruik van elektrische machines dienen ter bescherming tegen brandgevaar, elektrische schokken, letsel en materiële schade altijd gepaste veiligheidsmaatregelen in acht te worden genomen, waaronder de volgende veiligheidsvoorschriften.
- ♦ Lees de gebruiksaanwijzing aandachtig door voordat u met de machine gaat werken.

- ◆ Zorg ervoor dat u voor gebruik weet hoe u de machine in geval van nood uitschakelt.
- ◆ Bewaar deze instructies zorgvuldig!

## Algemeen

- 1. Zorg voor een opgeruimde werkomgeving**  
Een rommelige werkomgeving leidt tot ongelukken.
- 2. Houd rekening met omgevingsinvloeden**  
Stel de machine niet bloot aan regen. Gebruik de machine niet in een vochtige of natte omgeving. Zorg dat de werkomgeving goed is verlicht. Gebruik de machine niet op plaatsen waar brand- of explosiegevaar bestaat, b.v. in de buurt van brandbare vloeistoffen of gassen.
- 3. Houd kinderen uit de buurt**  
Houd kinderen, bezoekers en dieren buiten het werkgebied en laat ze de machine of de elektriciteitskabel niet aanraken.
- 4. Draag geschikte werkkleding**  
Draag geen wijde kleding of loshangende sieraden. Deze kunnen door de bewegende delen worden gegrepen. Draag bij het werken buitenshuis bij voorkeur rubber werkhandschoenen en schoenen met profielzolen. Houd lang haar bijeen.
- 5. Persoonlijke bescherming**  
Draag altijd een veiligheidsbril. Draag een gezichts- of stofmasker bij werkzaamheden waarbij stofdeeltjes vrijkomen. Draag altijd gehoorbescherming als het geluidsniveau onaangenaam hoog is.
- 6. Bescherming tegen elektrische schokken**  
Voorkom aanraking van gearde oppervlakken (bijv. buizen, radiatoren, fornuizen en koelkasten). Elektrische veiligheid kan verder worden verbeterd met behulp van een hooggevoelige (30 mA / 30 mS) reststromschakelaar (RCD).
- 7. Zorg voor een veilige houding**  
Zorg altijd voor een juiste, stabiele houding.
- 8. Blijf voortdurend opletten**  
Houd uw aandacht bij uw werk. Ga met verstand te werk. Gebruik de machine niet als u niet geconcentreerd bent.

## 9. Klem het werkstuk goed vast

Gebruik klemmen of een bankschroef om het werkstuk te fixeren. Dit is veiliger, bovendien kan de machine dan met beide handen worden bediend.

## 10. Sluit de uitrusting van de stofafvoer aan

Indien hulpmiddelen zijn meegeleverd voor de aansluiting van stofafvoer en voorzieningen voor stofopvang, zorg dan dat deze zijn aangesloten en naar behoren worden gebruikt.

## 11. Verwijder sleutels en hulpgereedschappen

Controleer vóór het inschakelen altijd of sleutels en andere hulpgereedschappen zijn verwijderd.

## 12. Verlengsnoeren

Inspecteer voor gebruik het verlengsnoer. Vervang het snoer indien het beschadigd is. Maak bij gebruik buitenshuis uitsluitend gebruik van verlengsnoeren die geschikt zijn voor gebruik buitenshuis.

## 13. Gebruik de juiste machine

Het gebruik volgens bestemming is beschreven in deze handleiding. Gebruik geen te lichte machine of hulpstukken voor te zwaar werk. De machine werkt beter en veiliger indien u deze gebruikt voor het beoogde doel. Overbelast de machine niet.

**Waarschuwing!** Gebruik ter voorkoming van lichamelijk letsel uitsluitend de in deze gebruiksaanwijzing aanbevolen accessoires en hulpstukken. Gebruik de machine uitsluitend volgens bestemming.

## 14. Controleer de machine op beschadigingen

Controleer de machine voor gebruik op schade. Controleer of alle bewegende delen correct gemonteerd zijn, of er geen onderdelen gebroken zijn, of er geen beschermkappen en schakelaars beschadigd zijn en of er andere gebreken zijn die invloed op de werking van de machine zouden kunnen hebben. Vergewis u ervan dat de machine correct werkt. Gebruik de machine niet als enig onderdeel defect is. Gebruik de machine niet als de aan/uitschakelaar niet werkt. Defecte onderdelen dienen door een erkend servicecentrum te worden gerepareerd of vervangen. Probeer nooit om de machine zelf te repareren.

## 15. De stekker uit het stopcontact verwijderen

Verwijder de stekker uit het stopcontact als u de machine niet gebruikt, voordat u gereedschappen, accessoires of onderdelen van de machine verwisselt en voordat u onderhoud aan de machine uitvoert.

## 16. Voorkom onbedoeld inschakelen

Draag de machine niet met uw vingers aan de aan/uit-schakelaar. Wees ervan verzekerd dat de machine is uitgeschakeld voordat u de stekker in het stopcontact steekt.

## 17. Misbruik het snoer niet

Draag de machine nooit aan het snoer. Trek niet aan het snoer om de stekker uit het stopcontact te verwijderen. Houd het snoer uit de buurt van warmtebronnen, olie en scherpe randen.

## 18. Berg de machine veilig op

Indien niet in gebruik, dienen machines te worden opgeborgen in een droge, afsluitbare of hoge plaats, buiten bereik van kinderen.

## 19. Onderhoud de machine met zorg

Houd snijgereedschappen scherp en schoon om beter en veiliger te kunnen werken. Houdt u aan de instructies met betrekking tot het onderhoud en het vervangen van accessoires. Houd de handgrepen en schakelaars droog en vrij van olie en vet.

## 20. Reparaties

Deze machine voldoet aan de geldende veiligheidseisen. Reparaties mogen uitsluitend worden uitgevoerd door bevoegde vakmensen en met behulp van originele reserveonderdelen; anders kan er een aanzienlijk gevaar voor de gebruiker ontstaan.

## Aanvullende veiligheidsinstructies voor haakse slijpers



Draag een veiligheidsbril als u deze machine bedient.



Draag gehoorbescherming als u deze machine bedient.



Draag handschoenen als u deze machine bedient.



Slijp nooit lichte metalen met een magnesiumgehalte van meer dan 80%, omdat dit type metalen zeer brandbaar is.

- ◆ Gebruik alleen doorslijp- en slijpschijven en andere accessoires die in deze handleiding aanbevolen worden.
- ◆ Zorg ervoor dat het maximale toerental van de doorslijp- of slijpschijf niet hoger is dan het onbelaste toerental van de machine.
- ◆ Slijp geen werkstukken door die een grotere maximale zaagdiepte vereisen dan die van de doorslijpschijf.
- ◆ Gebruik de machine nooit zonder de beschermkap, behalve bij schuurwerkzaamheden.
- ◆ Oefen geen zijwaartse druk uit op de doorslijp- of slijpschijf.
- ◆ Gebruik deze machine uitsluitend als handgereedschap.

## Schuren

- ◆ Gebruik altijd een stofmasker bij het schuren.
- ◆ Verwijder zorgvuldig alle stof na het schuren.
- ◆ Neem speciale maatregelen bij het schuren van verf met mogelijk een loodbasis of bij het schuren van bepaalde hout- en metaalsoorten die mogelijk giftige stoffen produceren:
  - Draag een stofmasker dat speciaal ontworpen is ter bescherming tegen loodverfstof en -damp en verzeker u ervan dat andere personen op de werkvloer of die de werkvloer betreden eveneens beschermd zijn.
  - Kinderen en zwangere vrouwen mogen de werkvloer niet betreden.
  - Eten, drinken en roken op de werkvloer is niet toegestaan.
  - Verwijder stof en ander afval op veilige en verantwoorde wijze.

## ELEKTRISCHE VEILIGHEID

De elektromotor is ontwikkeld voor een bepaalde netspanning. Controleer altijd of uw netspanning overeenkomt met de waarde op het typeplaatje.



Deze machine is dubbel geïsoleerd overeenkomstig EN 50144. Een aarddraad is daarom niet vereist.

### Gebruik van verlengsnoeren

Gebruik een goedgekeurd verlengsnoer dat geschikt is voor het vermogen van de machine (zie technische gegevens). De aders moeten minimaal een doorsnede hebben van 1,5 mm<sup>2</sup>. Controleer het verlengsnoer voor gebruik op beschadiging, veroudering en slijtage. Vervang een beschadigd of defect verlengsnoer. Wanneer het verlengsnoer op een haspel zit, rol het snoer dan helemaal af. Als u een verlengsnoer gebruikt dat niet geschikt is voor het vermogen van de machine, of dat beschadigd of kapot is, dan riskeert u brand of een elektrische schok.

### INHOUD VAN DE VERPAKKING

De verpakking bevat:

- 1 Haakse slijper
- 1 Zijhandgreep
- 1 Doorslijp- of slijpschijf
- 1 Flens-set
- 1 Steeksleutel met twee pennen
- 1 Handleiding

- ◆ Pak zorgvuldig alle onderdelen uit.
- ◆ Opmerking: al naar gelang de lettercode achter het catalogusnummer van uw machine kan het zijn dat zich meer artikelen in de verpakking bevinden.

### OVERZICHT (fig. A)

1. Aan/uit-schakelaar
2. Zijhandgreep
3. Spindelvergrendeling
4. Beschermkap
5. Doorslijp- of slijpschijf

### MONTAGE



Zorg vóór aanvang van de volgende handelingen dat de machine is uitgeschakeld, de netstekker van het lichtnet is losgekoppeld en de schijf stil staat.

### Verwijderen en aanbrengen van de beschermkap



Gebruik de machine nooit zonder de beschermkap, behalve bij schuurwerkzaamheden.

#### Verwijderen (fig. B)

Deze machine is voorzien van een beschermkap. Voor schuurtoepassingen kunt u de beschermkap als volgt verwijderen:

- ◆ Verwijder de buitenste flens, schijf en binnenste flens zoals hieronder beschreven.
- ◆ Verwijder de schroeven (6) met behulp van een schroevendraaier.
- ◆ Verwijder de flens (7), beschermkap (4) en veerring (8). Bewaar deze onderdelen zorgvuldig.

#### Aanbrengen (fig. C)

- ◆ Plaats de machine op een tafel, met de spindel (9) naar boven gericht.
- ◆ Breng de veerring (8) over de spindel aan en leg hem op de juiste plaats (10).
- ◆ Plaats de beschermkap zoals afgebeeld op de machine.
- ◆ Breng de flens (11) over de spindel aan met de uitstekende puntjes richting beschermkap. Zorg ervoor dat de gaten in de flens op een lijn liggen met de schroefgaten.
- ◆ Bevestig de beschermkap met de schroeven (6). Vergewis u ervan dat de schroeven stevig zijn aangedraaid en dat de beschermkap gedraaid kan worden.

#### Aanbrengen van de zijhandgreep (fig. A)



Gebruik altijd de zijhandgreep.

- ◆ Schroef de zijhandgreep (2) in een van de montagegaten van de machine.

#### Monteren en verwijderen van een doorslijp- of slijpschijf (fig. A, D - G)



Gebruik altijd het juiste type schijf voor uw toepassing. Gebruik altijd schijven met de juiste diameter en inwendige diameter (zie technische informatie).

De maximale dikte voor slijpschijven is 6 mm, en voor doorslijpschijven 3,5 mm.

## Montage

- ◆ Als de beschermkap is verwijderd, breng hem dan weer aan zoals hierboven beschreven.
- ◆ Plaats de binnenste flens (12) op de spindel (9) zoals afgebeeld (fig. D). Zorg dat de flens op de juiste manier tegen de platte zijden van de spindel is aangebracht.
- ◆ Plaats de schijf (5) op de spindel (9) zoals afgebeeld (fig. E). Als de schijf in het midden een verhoging heeft (13), zorg er dan voor dat deze verhoging naar de binnenste flens gericht is.
- ◆ Zorg dat de schijf op de juiste manier op de binnenste flens rust.
- ◆ Plaats de buitenste flens (14) op de spindel. Let er bij het aanbrengen van een slijpschijf op dat de verhoging in het midden van de buitenste flens naar de schijf toe gericht is (A in fig. F). Let er bij het aanbrengen van een doorslijpschijf op dat de verhoging in het midden van de buitenste flens van de schijf af gericht is (B in fig. F).
- ◆ Houd de spindelvergrendeling (3) ingedrukt, en draai de buitenste flens vast met de steeksleutel met twee pennen (15) (fig. A & G). Vergewis u ervan dat de buitenste flens naar behoren is aangebracht voor het gebruikte type schijf en dat de schijf stevig is vastgeklemd.

## Verwijderen

- ◆ Houd de spindelvergrendeling (3) ingedrukt, en draai de buitenste flens (14) los met de steeksleutel met twee pennen (15) (fig. A & G).
- ◆ Verwijder de buitenste flens (14) en de schijf (5).

## Monteren en verwijderen van schuurschijven (fig. A, H & I)

Voor schuurwerkzaamheden is een steunschijf vereist. De steunschijf is als accessoire verkrijgbaar bij uw Black & Decker-dealer.

## Montage

- ◆ Verwijder de beschermkap zoals hierboven beschreven.

- ◆ Plaats de binnenste flens (12) op de spindel (9) zoals afgebeeld (fig. H). Zorg dat de flens op de juiste manier tegen de platte zijden van de spindel is aangebracht.
- ◆ Plaats de steunschijf (16) op de spindel.
- ◆ Plaats de schuurschijf (17) op de steunschijf.
- ◆ Plaats de buitenste flens (14) op de spindel, met de verhoging in het midden van de schijf af gericht.
- ◆ Houd de spindelvergrendeling (3) ingedrukt, en draai de buitenste flens vast met de steeksleutel met twee pennen (15) (fig. A & I). Vergewis u ervan dat de buitenste flens naar behoren is aangebracht en dat de schijf stevig is vastgeklemd.

## Verwijderen

- ◆ Houd de spindelvergrendeling (3) ingedrukt, en draai de buitenste flens (14) los met de steeksleutel met twee pennen (15) (fig. A & I).
- ◆ Verwijder de buitenste flens (14), de schuurschijf (17) en de steunschijf (16).



Plaats na de schuurwerkzaamheden de beschermkap terug op de machine.

## ■ GEBRUIK



Laat de machine op eigen tempo werken. Niet overbelasten.

- ◆ Geleid de kabel zorgvuldig om te voorkomen dat u deze per ongeluk doorsnijdt.
- ◆ Houd rekening met een grote hoeveelheid aan afspattende vonken zodra de doorslijp- of slijpschijf in aanraking komt met het werkstuk.
- ◆ Houd de machine altijd zodanig dat de beschermkap maximale bescherming biedt tegen de doorslijp- of slijpschijf.



Draag een veiligheidsbril als u deze machine bedient.

## Aan- en uitschakelen (fig. J)

- ◆ Om in te schakelen schuift u de aan/uitschakelaar (1) naar voren. Let op: de machine blijft draaien als u de schakelaar loslaat.

- ◆ Om uit te schakelen, drukt u op het achterste deel van de aan/uit-schakelaar.

**Tips voor optimaal gebruik**

- ◆ Houd de machine stevig vast, met de ene hand rond de zijhandgreep en de andere hand rond het motorhuis (fig. K).
- ◆ Zorg tijdens het slijpen dat er altijd een hoek van ongeveer 15° zit tussen de schijf en het oppervlak van het werkstuk (fig. L).

**ONDERHOUD**

Uw Black & Decker machine is ontworpen om gedurende een langere periode te functioneren met een minimum aan onderhoud. Voortdurend tevreden gebruik is afhankelijk van correct onderhoud en regelmatig schoonmaken.



Zorg vóór aanvang van onderhoudswerkzaamheden dat de machine is uitgeschakeld en de netstekker van het lichtnet is losgekoppeld.

- ◆ Reinig regelmatig de ventilatieopeningen van uw machine met een zachte borstel of een droge doek.
- ◆ Reinig regelmatig de behuizing van de motor met een vochtige doek. Gebruik geen schuur- of oplosmiddel.

**MILIEU**



Black & Decker biedt de mogelijkheid tot recyclen van afgedankte Black & Decker producten. Deze service is kosteloos. Om gebruik van deze service te maken, dient u het product aan een van onze servicecentra te sturen, die voor ons de inzameling verzorgen.

U kunt het adres van het dichtstbijzijnde servicecentrum opvragen via de adressen op de achterzijde van deze handleiding. U kunt ook een lijst van onze servicecentra en meer informatie m.b.t. onze klantenservice vinden op het volgende Internet-adres: **www.2helpU.com**.

**Technische gegevens**

		KG900	KG915
Spanning	V <sub>AC</sub>	230	230
Opgenomen vermogen	W	900	900
Onbelast toerental	min <sup>-1</sup>	10.000	10.000
Schijfdiameter	mm	100	115
Inwendige diameter schijf	mm	16	22
Spindelmaat		M10	M14
Gewicht	kg	2,1	2,1

**GARANTIE**

Black & Decker heeft vertrouwen in zijn producten en biedt een uitstekende garantie.

Deze garantiebepalingen vormen een aanvulling op uw wettelijke rechten en beperken deze niet. De garantie geldt in de lidstaten van de Europese Unie en de Europese Vrijhandelsassociatie.

Mocht uw Black & Decker product binnen 24 maanden na datum van aankoop defect raken tengevolge van materiaal- of constructiefouten, dan garanderen wij de kosteloze vervanging van defecte onderdelen, de reparatie van het product of de vervanging van het product, tenzij:

- ◆ Het product is gebruikt voor handelsdoeleinden, professionele toepassingen of verhuurdoeleinden;
- ◆ Het product onoordeelkundig is gebruikt;
- ◆ Het product is beschadigd door invloeden van buitenaf of door een ongeval;
- ◆ Reparaties zijn uitgevoerd door anderen dan onze servicecentra of Black & Decker personeel.

Om een beroep op de garantie te doen, dient u een aankoopbewijs te overhandigen aan de verkoper of een van onze servicecentra. U kunt het adres van het dichtstbijzijnde servicecentrum opvragen via de adressen op de achterzijde van deze handleiding. U kunt ook een lijst van onze servicecentra en meer informatie m.b.t. onze klantenservice vinden op het volgende Internet-adres: **www.2helpU.com**.

## ANDERE MACHINES VOOR DOE-HET-ZELVERS

Black & Decker heeft een compleet assortiment aan machines die het de doe-het-zelver gemakkelijk maken. Als u meer informatie over de volgende producten wenst, neemt u dan contact op met ons Service- en Informatiecentrum (zie de adrespagina aan het eind van deze handleiding) of uw plaatselijke Black & Decker detailhandelaar.

Boormachines

Accu-schroevendraaiers

Accu-schroef/boormachines

Schuurmachines

Decoupeerzagen

Cirkelzagen

Verstekzaagmachines

Haakse slijpers

Schaafmachines

Bovenfrezen

Multifunctionele machines met of zonder snoer

Verfstrippers

Workmates

We hebben ook een uitgebreid assortiment aan accessoires voor de bovengenoemde machines.

Niet ieder product is verkrijgbaar in alle landen.



# AMOLADORA ANGULAR KG900/KG915

## ¡ENHORABUENA!

Ha escogido una herramienta Black & Decker. Nuestro objetivo es ofrecerle herramientas de calidad a un precio asequible y estamos seguros que podrá disfrutar de esta herramienta durante muchos años.

## DECLARACIÓN CE DE CONFORMIDAD



### KG900/KG915

Black & Decker certifica que estas herramientas eléctricas han sido construidas de acuerdo a las normas siguientes: 98/37/CEE, 89/336/CEE, 73/23/CEE, EN 50144, EN 55014, EN 61000

El nivel de la presión acústica, medida de acuerdo con EN 50144:

$L_{pA}$	(presión acústica)	dB(A)	89,9
$L_{WA}$	(potencia acústica)	dB(A)	102,9



Tome medidas adecuadas para proteger sus oídos cuando la presión acústica exceda el valor de 85 dB(A).

Valor cuadrático medio ponderado en frecuencia de la aceleración según EN 50144:

< 2,5 m/s<sup>2</sup>

Kevin Hewitt

Director de Ingeniería

Spennymoor, County Durham DL16 6JG,  
United Kingdom

## FINALIDAD

Esta amoladora angular Black & Decker ha sido diseñada para cortar metal y mampostería, utilizando el tipo adecuado de disco de corte o de esmerilar. Es también idónea para lijar empleando la almohadilla de soporte y el disco de lijar.

Esta herramienta está pensada únicamente para uso doméstico.

## INSTRUCCIONES DE SEGURIDAD

### Pictogramas

En el presente manual figuran los pictogramas siguientes:



Indica peligro de lesiones, de accidentes mortales o de averías en la herramienta en caso de no respeto de las instrucciones en este manual.



Indica tensión eléctrica.



Lea el manual antes de utilizar la herramienta.



Peligro de incendio.

### Conozca su herramienta



- ♦ **¡Atencion!** Cuando use herramientas eléctricas, debe seguir siempre las precauciones de seguridad básicas, incluidas las siguientes, a fin de reducir el riesgo de incendios, electrocución, lesiones personales y daños materiales.
- ♦ Lea completamente este manual antes de utilizar la herramienta.
- ♦ Antes de poner en marcha la herramienta, compruebe que sabe cómo desconectarla en caso de emergencia.

- ◆ Mantenga a mano este manual para consultas posteriores.

## Generalidades

### 1. Mantenga limpia el área de trabajo

Un área o un banco de trabajo en desorden aumentan el riesgo de accidentes.

### 2. Tenga en cuenta el entorno del área de trabajo

No exponga herramientas a la humedad. Procure que el área de trabajo esté bien iluminada. No utilice la herramienta donde exista riesgo de incendio o explosión, p. ej. en la proximidad de líquidos o gases inflamables.

### 3. ¡Mantenga alejados a los niños!

No permita que niños, otras personas o animales se acerquen al área de trabajo ni toquen la herramienta o el cable de corriente.

### 4. Vista ropa de trabajo apropiada

No lleve vestidos anchos ni joyas. Estos podrían ser atrapados por piezas en movimiento. Para trabajos en el exterior, se recomienda llevar guantes de goma y calzado de suela antideslizante. Si tiene el pelo largo, téngalo recogido y cubierto.

### 5. Protección personal

Lleve gafas de protección. Utilice una mascarilla si el trabajo ejecutado produce polvo u otras partículas volantes. Lleve protectores para los oídos cuando el ruido pueda resultar molesto.

### 6. Protéjase contra la electrocución

Evite que su cuerpo haga contacto con objetos conectados a tierra (p. ej. tuberías, radiadores, frigoríficos y electrodomésticos en general). Se puede incrementar la seguridad eléctrica utilizando disyuntores de alta sensibilidad (30 mA / 30 mS) para detectar corrientes de fuga.

### 7. No alargue demasiado su radio de acción

Mantenga un apoyo firme sobre el suelo y conserve el equilibrio en todo momento.

### 8. Esté siempre alerta

Mire lo que está haciendo. Use el sentido común. No maneje la herramienta cuando está cansado.

### 9. Sujete bien la pieza de trabajo

Utilice abrazaderas o un torno para sujetar la pieza de trabajo. Es más seguro que sujetarla con la mano y le permite utilizar ambas manos para manejar la herramienta.

### 10. Conecte los accesorios para la extracción de polvo.

Si se suministran adaptadores para la conexión de accesorios extractores y para el almacenamiento del polvo, asegúrese de que se conectan y utilizan adecuadamente.

### 11. Retire las llaves de maniobra

Antes de poner la herramienta en marcha, asegúrese de que las llaves y utensilios de reglaje hayan sido retirados.

### 12. Cables alargadores

Revise el cable alargador antes de utilizarlo por si presenta desperfectos. Al utilizar las herramientas en exteriores, utilice exclusivamente aquellos cables prolongadores diseñados para estas condiciones.

### 13. Utilice la herramienta adecuada

En este manual se explica para qué uso está destinada la herramienta. No utilice herramientas o dispositivos acoplables de potencia demasiado débil para ejecutar trabajos pesados. La herramienta funcionará mejor y con mayor seguridad al ser utilizada de acuerdo con sus características técnicas. No fuerce la herramienta.

**¡Atención!** El uso de otros accesorios, adaptadores, o la propia utilización de la herramienta en cualquier forma diferente de las recomendadas en este manual de instrucciones puede constituir un riesgo de lesiones a las personas.

### 14. Compruebe que no haya piezas averiadas

Antes de usarla, compruebe cuidadosamente que la herramienta y el cable de corriente no presenten desperfectos. Compruebe la posible existencia de piezas móviles mal alineadas o atascadas, la rotura de piezas, el posible daño de protectores e interruptores y cualquier otro aspecto que pueda afectar al funcionamiento de la herramienta. Asegúrese de que la herramienta puede funcionar adecuadamente y cumplir con el cometido para el que ha sido diseñada. No use la herramienta si hay alguna pieza defectuosa o averiada. No utilice la herramienta si no es posible apagar y encender el interruptor. Encargue al servicio técnico autorizado que repare o sustituya las piezas defectuosas o averiadas.

Jamás intente repararla usted mismo.

**15. Desenchufe la herramienta**

Desenchufe la herramienta cuando no esté usando la herramienta, antes de sustituir piezas, accesorios o acoplamientos, y antes de efectuar revisiones.

**16. Evite un arranque involuntario**

Procure no tocar el conmutador de encendido/apagado mientras transporta la herramienta. Asegúrese de que la herramienta esté apagada cuando la enchufe.

**17. Cuide el cable de alimentación**

No arrastre la herramienta tirando del cable, ni tire del cable para desenchufarlo. Proteja el cable del calor, del aceite y de las aristas vivas.

**18. Guarde las herramientas que no utiliza**

Cuando no las utilice, las herramientas deben guardarse en un lugar seco y cerrado o elevado, fuera del alcance de los niños.

**19. Mantenga las herramientas asiduamente**

Mantenga sus herramientas afiladas y limpias para trabajar mejor y más seguro. Siga las instrucciones para el mantenimiento y la sustitución de accesorios. Mantenga los mandos y conmutadores secos, limpios y libres de aceite y grasa.

**20. Reparaciones**

Esta herramienta cumple las normas de seguridad aplicables. Las reparaciones deben llevarse a cabo por personal cualificado, usando piezas de recambio originales; en caso contrario, podría ocasionarse un considerable riesgo para el usuario.

**Instrucciones adicionales de seguridad para amoladoras angulares**



Lleve gafas protectoras cuando utilice esta herramienta.



Lleve protectores para los oídos cuando utilice esta herramienta.



Lleve guantes cuando utilice esta herramienta.



No corte ni amole metales de poca densidad con un contenido en magnesio superior al 80%, ya que este tipo de metales son inflamables.

- ◆ Use únicamente los discos de esmerilar y de corte y los accesorios que se recomiendan en este manual.
- ◆ Asegúrese de que la velocidad máxima del disco de esmerilar o de corte supera la velocidad sin carga de la herramienta.
- ◆ No corte piezas que requieran una profundidad máxima de corte superior a la del disco de corte.
- ◆ No use nunca la herramienta sin la protección, excepto para lijar.
- ◆ No ejerza presión en el lateral del disco de esmerilar o de corte.
- ◆ Use esta herramienta sólo como herramienta de mano.

**Lijado**

- ◆ Utilice una mascarilla contra el polvo siempre que esté lijando.
- ◆ Elimine a fondo todo el polvo después de lijar.
- ◆ Ponga cuidado cuando lije pinturas con posible contenido de plomo o algunos tipos de maderas y metales que puedan producir polvo tóxico.
  - Utilice una mascarilla contra el polvo diseñada específicamente para proteger contra el polvo y las emanaciones de pinturas con plomo, y asegúrese de que las demás personas que se encuentren dentro de, o que penetren en el área de trabajo también esté protegidas.
  - No permita la entrada de niños ni de mujeres embarazadas al área de trabajo.
  - No ingiera alimentos ni bebidas, ni fume en el área de trabajo.
  - Deshágase de las partículas de polvo y demás residuos de un modo seguro.

**SEGURIDAD ELÉCTRICA**

El motor eléctrico ha sido diseñado para un solo voltaje. Compruebe siempre que el voltaje de la red corresponde al valor indicado en la placa de características.



La herramienta tiene doble aislamiento, conforme a la norma EN 50144; por consiguiente, no se requiere conexión a tierra.

### Utilización de un cable de prolongación

Use un cable de prolongación aprobado, adecuado para la potencia de esta herramienta (véanse las características técnicas). La sección mínima de conductor es de 1,5 mm<sup>2</sup>. Antes de utilizar la herramienta, revise el cable de alimentación de corriente para ver si presenta indicios de daños, envejecimiento o desgaste. Reemplace el cable alargador si estuviera dañado o defectuoso. Si utiliza un carrete de cable, desenrolle siempre el cable completamente. El empleo de cable de prolongación no adecuado para la entrada de corriente de la herramienta, o cable dañado o defectuoso, puede dar lugar a posibles incendios o descargas eléctricas.

### CONTENIDO DE LA CAJA

La caja contiene:

- 1 Amoladora angular
  - 1 Mango lateral
  - 1 Disco para esmerilar o para cortar
  - 1 Conjunto de brida
  - 1 Llave de doble tetón
  - 1 Manual de instrucciones
- ◆ Desembale con cuidado todas las piezas.
  - ◆ Por favor, tenga en cuenta que, en la caja de embalaje, puede encontrar otros componentes, en dependencia del sufijo de letras que vaya a continuación del número de catálogo de su herramienta.

### VISTA GENERAL (fig. A)

1. Conmutador ON/OFF (encendido/apagado)
2. Mango lateral
3. Cierre de husillo
4. Protección
5. Disco para esmerilar o para cortar

### MONTAJE



Antes de intentar realizar cualquiera de las operaciones siguientes, asegúrese de que la herramienta está desconectada y desenchufada, así como que el disco se ha dejado de girar.

### Retirada y reinstalación de la protección



No use nunca la herramienta sin la protección, excepto para lijar.

### Retirada (fig. B)

Esta herramienta va provista de una protección. Para realizar exclusivamente operaciones de lijado, puede retirar la protección de la siguiente manera:

- ◆ Retire la brida exterior, el disco y la brida interior como se describe a continuación.
- ◆ Utilice un destornillador para retirar los tornillos (8).
- ◆ Retire la brida (7), la protección (4) y la arandela del resorte (8). Ponga cuidado al almacenar estas piezas.

### Reinstalación (fig. C)

- ◆ Coloque la herramienta sobre una mesa, con el husillo (9) hacia arriba.
- ◆ Coloque la arandela del resorte (8) sobre el husillo ubicándola sobre el hombro (10).
- ◆ Coloque la protección en la herramienta tal y como se indica.
- ◆ Coloque la brida (11) sobre el husillo situando los salientes mirando hacia la protección. Asegúrese de que los orificios de la brida se alineen con los orificios de los tornillos.
- ◆ Sujete la brida con los tornillos (6). Asegúrese de que los tornillos queden apretados fuertemente y que se pueda hacer girar la protección.

### Acoplar el mango lateral (fig. A)



Use siempre el mango lateral.

- ◆ Atornille el mango lateral (2) dentro de uno de los agujeros de montaje de la herramienta.

**Fijación y desmontaje de los discos de esmerilar o de cortar (fig. A, D y G)**



Use siempre el tipo correcto de disco en su trabajo. Use siempre discos con el diámetro y diámetro interior correctos (consulte los datos técnicos)- El grosor máximo de los discos de esmerilar es 6 mm, y de los discos de corte 3,5 mm.

**Montaje**

- ◆ Si se ha retirado, coloque la protección tal como se indica anteriormente.
- ◆ Coloque la brida interior (12) sobre el husillo (9) tal como se muestra (fig. D). Asegúrese de que la brida está correctamente colocada en los lados planos del husillo.
- ◆ Coloque el disco (5) sobre el husillo (9) tal como se muestra (fig. E). Si el disco tiene el centro levantado (13), asegúrese de que este centro levantado está encarado con la brida interior.
- ◆ Asegúrese de que el disco encaja correctamente en la brida interior.
- ◆ Coloque la brida exterior (14) sobre el husillo. Cuando monte un disco de esmerilar, el centro levantando de la brida exterior debe estar encarado hacia el disco (A en fig. F). Cuando monte un disco de corte, el centro levantando de la brida exterior debe estar alejado del disco (B en fig. F).
- ◆ Mantenga presionado el cierre del husillo (3) y apriete la brida exterior empleando la llave de doble tetón (15) (fig. A y G). Asegúrese de que la brida exterior se instala correctamente para el disco que se utilice y que éste queda fuertemente sujeto.

**Retirada**

- ◆ Mantenga presionado el cierre del husillo (3) y afloje la brida exterior (14) empleando la llave de doble tetón (15) (fig. A y G).
- ◆ Retire la brida exterior (14) y el disco (5).

**Colocación y extracción de los discos lijadores (fig. A, H & I)**

Para lijado, se necesita una almohadilla de soporte. Esta almohadilla se puede adquirir, como accesorio, en un concesionario Black & Decker.

**Montaje**

- ◆ Retire la protección como se ha descrito anteriormente.
- ◆ Coloque la brida interior (12) sobre el husillo (9) tal como se muestra (fig. H). Asegúrese de que la brida está correctamente colocada en los lados planos del husillo.
- ◆ Coloque la almohadilla de soporte (16) sobre el husillo.
- ◆ Coloque el disco para lijar (17) sobre la almohadilla de soporte.
- ◆ Coloque la brida exterior (14) sobre el husillo con el centro elevado alejado del disco.
- ◆ Mantenga presionado el cierre del husillo (3) y apriete la brida exterior empleando la llave de doble tetón (15) (fig. A e I). Asegúrese de que la brida exterior se encuentra instalada correctamente y que el disco está fuertemente sujeto.

**Retirada**

- ◆ Mantenga presionado el cierre del husillo (3) y afloje la brida exterior (14) empleando la llave de doble tetón (15) (fig. A e I).
- ◆ Retire la brida exterior (14), el disco de lijar (17) y la almohadilla de soporte (16).



Después de lijar, vuelva a montar la protección en la herramienta.

**USO**



Deje que la herramienta funcione a su ritmo. No la sobrecargue.

- ◆ Guiar con cuidado el cable para evitar que se corte de manera accidental
- ◆ Prepárese para recibir un chorro de chispas en el momento en que el disco de esmerilado o de corte toque la pieza de trabajo.
- ◆ Coloque siempre la herramienta de forma que el protector le proteja eficazmente del disco de esmerilar o cortar.



Lleve gafas protectoras cuando utilice esta herramienta.

## Encendido y apagado (fig. J)

- ◆ Para encender el aparato, deslice el interruptor on/off (1) hacia delante. Tenga en cuenta que la herramienta sigue funcionando al soltar el interruptor
- ◆ Para apagar la herramienta, pulse la parte trasera del interruptor on/off.

## Consejos para un uso óptimo

- ◆ Sujete firmemente la herramienta con una mano alrededor del mango lateral y con la otra alrededor de la carcasa del motor (fig. K).
- ◆ Cuando esté esmerilando, mantenga siempre un ángulo de 15° aproximadamente entre el disco y la superficie de la pieza de trabajo (fig. L).

## MANTENIMIENTO

Su herramienta Black & Decker está diseñada para funcionar durante un largo período de tiempo con un mantenimiento mínimo. El funcionamiento satisfactorio continuado depende de un cuidado apropiado y una limpieza periódica de la herramienta.



Antes de realizar cualquier tipo de mantenimiento, apague y desenchufe la herramienta.

- ◆ Limpie periódicamente las ranuras de ventilación de la herramienta con un cepillo suave o con un paño seco.
- ◆ Limpie periódicamente la carcasa del motor con un paño húmedo. No utilice ninguna sustancia limpiadora abrasiva o que contenga disolventes.

## PROTECCIÓN DEL MEDIO AMBIENTE



Black & Decker proporciona facilidades para el reciclado de los productos Black & Decker que hayan llegado al final de su vida útil. Este servicio se proporciona de forma gratuita. Para poderlo utilizar, le rogamos entregue el producto en cualquier servicio técnico autorizado quien se hará cargo del mismo en nuestro nombre.

Pueden consultar la dirección de su servicio técnico más cercano poniéndose en contacto con la oficina local de Black & Decker en la dirección que se indica en este manual. Como alternativa, se puede consultar en Internet, en la dirección siguiente, la lista de servicios técnico autorizados e información completa de nuestros servicios de postventa y contactos: [www.2helpU.com](http://www.2helpU.com).

## Características técnicas

	KG900	KG915
Voltaje	V <sub>AC</sub> 230	230
Potencia absorbida	W 900	900
Velocidad sin carga	min-1 10.000	10.000
Diámetro del disco	mm 100	115
Diámetro interior del disco	mm 16	22
Dimensión del husillo	M10	M14
Peso	kg 2,1	2,1

## GARANTÍA

Black & Decker confía plenamente en la calidad de sus productos y ofrece una garantía extraordinaria. Esta declaración de garantía es una añadida, y en ningún caso un perjuicio para sus derechos estatutarios. La garantía es válida dentro de los territorios de los Estados Miembros de la Unión Europea y de los de la Zona Europea de Libre Comercio.

Si un producto Black & Decker resultara defectuoso debido a materiales o mano de obra defectuosos o a la falta de conformidad, Black & Decker garantiza, dentro de los 24 meses de la fecha de compra, la sustitución de las piezas defectuosas, la reparación de los productos sujetos a un desgaste y rotura razonables o la sustitución de tales productos para garantizar al cliente el mínimo de inconvenientes, a menos que:

- ◆ El producto haya sido utilizado con propósitos comerciales, profesionales o de alquiler;
- ◆ El producto haya sido sometido a un uso inadecuado o negligente;
- ◆ El producto haya sufrido daños causados por objetos o sustancias extrañas o accidentes;
- ◆ Se hayan realizado reparaciones por parte de

personas que no sean los servicios de reparación autorizados o personal de servicios de Black & Decker;

Para reclamar en garantía, será necesario que presente la prueba de compra al vendedor o al servicio técnico de reparaciones autorizado. Pueden consultar la dirección de su servicio técnico más cercano poniéndose en contacto con la oficina local de Black & Decker en la dirección que se indica en este manual. Como alternativa, se puede consultar en Internet, en la dirección siguiente, la lista de servicios técnico autorizados e información completa de nuestros servicios de postventa y contactos: **www.2helpU.com**.

### OTRAS HERRAMIENTAS DE BRICOLAJE

Black & Decker cuenta con una gama completa de herramientas que le facilitarán las tareas de bricolaje. Si desea más información sobre los siguientes productos, póngase en contacto con nuestro Centro de Servicio e Información (consulte la página de direcciones al final de este manual) o diríjase a su concesionario local de Black & Decker.

Taladros percutores

Taladros/atornilladores sin cable

Sierras de vaivén

Sierras circulares

Lijadoras

Ingletadoras

Esmeriladoras

Cepillos

Fresadoras

Pistolas decapadoras

Grapadoras

Herramientas multiusos

Bancos de trabajo

También disponemos de una amplia gama de accesorios y kits de accesorios para estas herramientas.

Todos los productos no se encuentran disponibles en todos los países.

## REBARBADORA KG900/KG915

### PARABÉNS!

Você escolheu uma ferramenta Black & Decker. O nosso objectivo é fornecer ferramentas de qualidade a um preço acessível. Esperamos que a utilize por muitos anos.

### DECLARAÇÃO DE CONFORMIDADE



#### KG900/KG915

A Black & Decker declara que estas ferramentas foram concebidas em conformidade com:

98/37/CEE, 89/336/CEE, 73/23/CEE,  
EN 50144, EN 55014, EN 61000

Nível de potência sonora, medido de acordo com a EN 50144:

$L_{pA}$	(pressão sonora)	dB(A)	89,9
$L_{WA}$	(potência sonora)	dB(A)	102,9



Use protectores auditivos quando a potência sonora ultrapassar 85 dB(A).

Valor médio quadrático ponderado em frequência de aceleração conforme a EN 50144:

< 2,5 m/s<sup>2</sup>

Kevin Hewitt  
Engenheiro Responsável  
Spennymoor, County Durham DL16 6JG,  
United Kingdom

### FINALIDADE

A sua rebarbadora Black & Decker foi projectada para cortar metal e alvenaria com o tipo de disco de corte ou de rebarbar apropriado. Serve também para lixar quando se utiliza com o disco de protecção e o disco de lixa.

Esta ferramenta destina-se apenas para uso doméstico.

### INSTRUÇÕES DE SEGURANÇA

#### Símbolos

Os seguintes símbolos são usados neste manual:



Indica risco de ferimentos, danos pessoais ou materiais no caso do não-cumprimento das instruções deste manual.



Indica risco de choques eléctricos.



Leia este manual antes de utilizar a ferramenta.



Perigo de incêndio.

#### Conhecer a ferramenta



- ♦ **Aviso!** Ao utilizar ferramentas eléctricas, é preciso seguir sempre as precauções básicas para a segurança, incluindo as detalhadas a seguir, para diminuir os riscos de incêndio, choque eléctrico, ferimentos pessoais e danos materiais.
- ♦ Leia atentamente este manual antes de utilizar a ferramenta.
- ♦ Antes de utilizar a ferramenta, certifique-se de que sabe como desligá-la em caso de urgência.
- ♦ Guarde este manual para futura consulta.



**Informações gerais**

**1. Mantenha a área de trabalho arrumada**

As mesas e áreas de trabalho desarrumadas podem provocar ferimentos.

**2. Cuide do ambiente da área de trabalho**

Não exponha a ferramenta à chuva. Não utilize a ferramenta em situações onde haja humidade ou água. Mantenha a área de trabalho bem iluminada. Não utilize a ferramenta onde haja risco de fogo ou explosão, p.ex. em presença de líquidos ou gases inflamáveis.

**3. Mantenha as crianças afastadas**

Não permita que crianças, visitantes ou animais cheguem perto da área de trabalho ou toquem na ferramenta ou no cabo eléctrico.

**4. Vista-se de maneira apropriada**

Não use vestuário largo nem jóias porque podem prender-se numa peça móvel. Quando se trabalha no exterior, aconselha-se o uso de luvas de borracha e de calçado antiderrapante. Prenda o cabelo se o tiver comprido.

**5. Protecção pessoal**

Utilize óculos de protecção. Utilize óculos de protecção e uma máscara de rosto para poeiras sempre que as operações possam produzir poeira ou partículas que voem. Utilize protector de ouvidos sempre que o nível de ruído pareça ser incómodo.

**6. Tenha cuidado com os choques eléctricos**

Evite tocar em superfícies aterradas ou ligadas à terra, como por exemplo: canos, radiadores, fogões e frigoríficos. A segurança eléctrica pode ser melhorada mediante o uso de dispositivos de corrente residual (RCD) de alta sensibilidade (30 mA / 30 mS).

**7. Verifique a sua posição**

Mantenha sempre o equilíbrio.

**8. Esteja atento**

Dê atenção ao que vai fazendo. Trabalhe com precaução. Não utilize ferramentas quando estiver cansado.

**9. Segure firmemente as peças a trabalhar**

Utilize grampos ou um torno para segurar as peças de trabalho. É mais seguro e permite manter as duas mãos livres para trabalhar.

**10. Ligue o equipamento de extracção de poeiras**

Caso sejam fornecidos os dispositivos para a extracção e colecta de poeiras, assegure-se de que os mesmos estão correctamente ligados e são correctamente utilizados.

**11. Tire as chaves de aperto**

Verifique sempre se as chaves de aperto foram retiradas da ferramenta antes de a utilizar.

**12. Extensões eléctricas**

Antes de iniciar o uso, verifique o estado da extensão eléctrica e substitua-a se estiver danificada. Ao utilizar a ferramenta no exterior, utilize apenas extensões adequadas para este tipo de utilização.

**13. Utilize a ferramenta apropriada**

Neste manual indicam-se as aplicações da ferramenta. Não force pequenas ferramentas ou acessórios para fazer o trabalho dum ferramenta profissional. A ferramenta trabalhará melhor e de uma maneira mais segura se for utilizada para o efeito indicado. Não force a ferramenta.

**Aviso!** O uso de qualquer acessório ou da própria ferramenta, além do que é recomendado neste manual de instruções pode dar origem a riscos de ferimentos.

**14. Verifique se há peças danificadas.**

Antes do uso, verifique cuidadosamente se a ferramenta e o cabo eléctrico não estão danificados. Verifique o tamanho das peças móveis e se as mesmas estão alinhadas; verifique se há alguma peça partida, se as protecções e os interruptores estão danificados, bem como quaisquer outras condições que possam afectar o funcionamento da ferramenta. Assegure-se de que a ferramenta funciona correctamente e de que está a desempenhar as funções para as quais foi projectada. Não utilize a ferramenta se houver alguma peça defeituosa. Não utilize a ferramenta se o interruptor liga/desliga não estiver a funcionar. Qualquer peça defeituosa deve ser reparada ou substituída por um técnico autorizado. Nunca tente efectuar qualquer reparação por sua conta.

**15. Desligue a ferramenta**

Desligue a ferramenta quando não estiver em uso, antes de trocar qualquer peça da ferramenta, acessórios ou anexos e antes de a enviar para os serviços técnicos.

## 16. Evite ligar sem intenção

Não transporte a ferramenta com um dedo sobre o interruptor liga/desliga. Assegure-se de que a ferramenta está desligada quando for ligá-la à tomada.

## 17. Não force o cabo eléctrico

Nunca transporte a ferramenta pelo cabo ou puxe o mesmo para retirá-lo da tomada. Proteja o cabo contra o calor e evite o contacto com óleo e objectos cortantes.

## 18. Guarde as ferramentas que não estiverem a ser utilizadas.

Quando não estiver em uso, as ferramentas deverão ser armazenadas em local seco, fechado ou alto, fora do alcance das crianças.

## 19. Cuide das suas ferramentas com atenção

Mantenha as ferramentas cortantes afiadas e limpas para um melhor e mais seguro desempenho. Siga as instruções para a manutenção e a troca de acessórios. Mantenha os punhos e os interruptores secos, limpos e isentos de óleo e gordura.

## 20. Reparações

Esta ferramenta cumpre os requisitos de segurança pertinentes. As reparações devem ser realizadas somente por pessoas qualificadas e as peças de reposição devem ser originais. A não observância disso poderá resultar em perigos consideráveis para os utilizadores.

### Instruções de segurança adicionais para rebarbadoras



Utilize óculos de segurança durante o funcionamento da ferramenta.



Utilize protector de ouvidos.



Utilize luvas.



Não corte nem rebarbe metais leves com conteúdo de magnésio superior a 80%, já que são materiais inflamáveis.

- ◆ Utilize apenas discos de corte e de rebarbar e outros acessórios recomendados neste manual.

- ◆ Assegure-se de que a velocidade máxima do disco de corte ou de rebarbar não ultrapasse a velocidade da ferramenta sem carga.
- ◆ Não corte peças de trabalho que exijam uma profundidade máxima de corte superior à do disco de corte.
- ◆ Nunca utilize a ferramenta sem o resguardo, excepto para lixar.
- ◆ Não exerça pressão sobre o disco de corte ou de rebarbar.
- ◆ Utilize esta ferramenta apenas como uma ferramenta de mão.

### Lixar

- ◆ Utilize uma máscara para protecção contra poeira quando estiver a lixar.
- ◆ Remova completamente toda a poeira após lixar.
- ◆ Tome cuidado especial quando lixar pintura que possa conter chumbo ou quando lixar madeiras ou metais que possam produzir poeira tóxica:
  - Utilize uma máscara para poeira especificamente desenhada para protecção contra poeira e vapores de pintura com chumbo e assegure-se de que as pessoas que estejam na área de trabalho ou que entrem nesta também estejam protegidas.
  - Não permita que crianças ou mulheres grávidas entrem na área de trabalho.
  - Não coma, beba ou fume na área de trabalho.
  - Jogue fora as partículas de poeira e os detritos de maneira segura.

### SEGURANÇA ELÉCTRICA

O motor eléctrico foi concebido para uma única tensão. Verifique sempre se a tensão da rede corresponde à voltagem indicada na placa de identificação.



A ferramenta tem duplo isolamento em conformidade com o estipulado na norma EN 50144, não sendo, por isso, necessária uma ligação à terra.

### Extensões

Se fôr necessário uma extensão eléctrica, use uma apropriada para a corrente desta ferramenta (veja os dados técnicos).

A dimensão mínima do condutor é 1,5 mm<sup>2</sup>. Antes do uso, verifique se há sinais de danos, envelhecimento e desgaste da extensão eléctrica. Substitua-a se estiver danificada ou apresentar defeitos. No caso de se usar uma bobina, desenrole o cabo todo. O uso de extensões não adequadas para a energia de entrada da ferramenta ou que esteja danificada ou com defeito poderá resultar em riscos de incêndio e choque eléctrico.

### CONTEÚDO DA CAIXA

A caixa contém:

- 1 Rebarbadora
  - 1 Punho lateral
  - 1 Disco de corte ou de rebarbar
  - 1 Conjunto de flange
  - 1 Chave de dois pinos
  - 1 Manual de instruções
- ◆ Retire todas as peças da embalagem, com cuidado.
  - ◆ Poderá encontrar itens adicionais na embalagem, dependendo da letra do sufixo que segue o número de referência da ferramenta no catálogo.

### VISÃO GERAL (fig. A)

1. Interruptor
2. Punho lateral
3. Trava do veio
4. Resguardo
5. Disco de corte ou de rebarbar

### MONTAGEM



Antes de tentar executar qualquer das operações a seguir, assegure-se de que a ferramenta esteja desligada e o disco parado.

#### Remoção e colocação do resguardo



Nunca utilize a ferramenta sem o resguardo, excepto para lixar.

#### Remoção (fig. B)

Esta ferramenta está equipada com um resguardo. Para lixar, pode remover o resguardo da seguinte maneira.

- ◆ Remova a flange externa, o disco e a flange interna tal como descrito abaixo.
- ◆ Utilize uma chave de parafusos para remover os parafusos (6).
- ◆ Remova a flange (7), resguardo (4) e anilha de mola (8). Armazene estas peças cuidadosamente.

#### Colocação (fig. C)

- ◆ Coloque a ferramenta numa mesa, com o fuso (9) para cima.
- ◆ Coloque a anilha de mola (8) por cima do fuso e localize-a a partir do ombro (10).
- ◆ Coloque o resguardo na ferramenta, conforme o indicado.
- ◆ Coloque a flange (11) por cima do fuso com as saliências na direcção do resguardo. Certifique-se de que os orifícios na flange estão alinhados com os orifícios do fuso.
- ◆ Fixe a flange com os parafusos (6). Certifique-se de que os parafusos estão completamente apertados e que o resguardo pode ser rodado.

#### Encaixe do punho lateral (fig. A)



Utilize sempre o punho lateral.

- ◆ Enrosque o punho lateral (2) num dos orifícios de montagem disponíveis na ferramenta.

#### Encaixe e remoção dos discos de corte ou de rebarbar (fig. A, D – G)



Utilize sempre o tipo de disco correcto para cada aplicação. Utilize discos cujo diâmetro e tamanho do orifício sejam correctos (veja os dados técnicos). A espessura máxima para os discos de rebarbar é de 6 mm e para os discos de corte é de 3,5 mm.

#### Montagem

- ◆ Caso tenha sido removido, coloque o resguardo como acima descrito.
- ◆ Coloque a flange interna (12) no fuso (9) conforme o mostrado (fig. D). Assegure-se de que a flange esteja localizada correctamente nos lados planos do fuso.

- ◆ Coloque o disco (5) no fuso (9) conforme o mostrado (fig. E). Se o disco tiver o centro elevado (13), assegure-se de que a parte mais alta esteja faceada com a flange interna.
- ◆ Assegure-se de que o disco esteja correctamente sobre a flange interna.
- ◆ Coloque a flange externa (14) no fuso. Quando for encaixar discos de rebarbar, o centro elevado da flange externa deverá estar orientado para o disco (A na fig. F). Quando for instalar discos de corte, o centro elevado da flange externa deverá estar em direcção oposta ao disco (B na fig. F).
- ◆ Mantenha o travão do fuso (3) para baixo e aperte a flange externa com a chave de dois pinos (15) (fig. A & G). Certifique-se de que a flange externa está correcta para o tipo de disco utilizado e de que o disco está correctamente colocado.

## Remoção

- ◆ Mantenha o travão do fuso (3) para baixo e solte a flange externa (14) com a chave de dois pinos (15) (fig. A & G).
- ◆ Remova a flange externa (14) e o disco (5).

## Colocação e remoção dos discos de lixa (fig. A, H & I)

Para lixar, será necessário um disco de protecção. O disco de protecção pode ser obtido como acessório através dos revendedores da Black & Decker.

## Montagem

- ◆ Remova o resguardo conforme o descrito acima.
- ◆ Coloque a flange interna (12) no fuso (9) conforme ilustrado (fig. H). Assegure-se de que a flange esteja localizada correctamente nos lados planos do fuso.
- ◆ Coloque o disco de protecção (16) no fuso.
- ◆ Coloque o disco de lixar (17) no disco de protecção.
- ◆ Coloque a flange externa (14) no fuso com o centro elevado em direcção contrária ao disco.
- ◆ Mantenha o travão do fuso (3) para baixo e aperte a flange externa com a chave de dois pinos (15) (fig. A & I).

Certifique-se de que a flange externa é a correcta para o disco e que este está correctamente colocado.

## Remoção

- ◆ Mantenha o travão do fuso (3) para baixo e solte a flange externa (14) com a chave de dois pinos (15) (fig. A & I).
- ◆ Remova a flange externa (14), o disco de lixar (17) e o disco de protecção (16).



Ao terminar de lixar, encaixe o resguardo na ferramenta novamente.

## UTILIZAÇÃO



Deixe que a ferramenta funcione à vontade. Não a sobrecarregue.

- ◆ Guie o cabo cuidadosamente para evitar cortá-lo acidentalmente.
- ◆ Prepare-se para a corrente de faíscas quando o disco de rebarbar ou de corte tocar a peça de trabalho.
- ◆ Posicione a ferramenta sempre de maneira que o resguardo ofereça uma protecção óptima contra o disco de corte ou de rebarbar.



Utilize óculos de segurança durante o funcionamento da ferramenta.

## Como ligar e desligar a ferramenta (fig. J)

- ◆ Para ligar a ferramenta, empurre o interruptor de ligar/desligar (1) para a frente. Note que a ferramenta continua a funcionamento depois de largar o interruptor.
- ◆ Para desligá-la, prima a parte traseira do mesmo.

## Sugestões para uma melhor utilização

- ◆ Segure firme a ferramenta com uma mão no punho lateral e a outra no compartimento do motor (fig. K).
- ◆ Quando for rebarbar, mantenha sempre um ângulo aproximado de 15° entre o disco e a superfície da peça de trabalho (fig. L).

## MANUTENÇÃO

Esta ferramenta Black & Decker foi desenvolvida para funcionar por um longo período, com um mínimo de manutenção. O funcionamento contínuo e satisfatório depende da limpeza regular e cuidado adequado da ferramenta.



Antes de qualquer procedimento de manutenção, desligue a ferramenta no interruptor e retire-a da tomada da corrente.

- ◆ Limpe regularmente as fendas de ventilação da ferramenta utilizando uma escova suave ou um pano seco.
- ◆ Limpe regularmente o compartimento do motor utilizando um pano húmido. Não utilize nenhum limpador abrasivo ou de base solvente.

## PROTECÇÃO DO MEIO AMBIENTE



A Black & Decker oferece facilidades para a reciclagem dos seus produtos uma vez que os mesmos tenham alcançado o final de suas vidas úteis. Este serviço é fornecido sem encargos. Para utilizá-lo, devolva o seu produto a qualquer agente de reparação autorizado, que se encarregará de recolher o equipamento em nosso nome.

Para verificar a localização do agente de reparação mais próximo de si, contacte o escritório local da Black & Decker no endereço indicado neste manual. Se preferir, consulte a lista de agentes autorizados da Black & Decker e os dados completos dos nossos serviços de atendimento pós-venda na Internet no endereço: [www.2helpU.com](http://www.2helpU.com).

### Dados técnicos

		KG900	KG915
Voltagem	V <sub>AC</sub>	230	230
Potência	W	900	900
Velocidade sem carga	min <sup>-1</sup>	10.000	10.000
Diâmetro do disco	mm	100	115
Orifício do disco	mm	16	22
Tamanho do fuso		M10	M14
Peso	kg	2,1	2,1

## GARANTIA

A Black & Decker confia na qualidade de seus produtos e oferece um programa de garantia excelente. Esta declaração de garantia soma-se aos seus direitos legais e não os prejudica em nenhum aspecto. A garantia será válida nos territórios dos Estados Membros da União Europeia e na Área de Livre Comércio da Europa.

Caso algum produto da Black & Decker apresente avarias devido a defeitos de material, mão-de-obra ou ausência de conformidade no prazo de 24 meses a partir da data de compra, a Black & Decker garantirá a substituição das peças defeituosas, a reparação dos produtos que foram submetidos a uso adequado e remoção ou substituição dos mesmos para assegurar o mínimo de inconvenientes ao cliente a menos que:

- ◆ O produto tenha sido utilizado para fins comerciais, profissionais ou aluguer;
- ◆ O produto tenha sido submetido a uso incorrecto ou descuido;
- ◆ O produto tenha sofrido danos causados por objectos estranhos, substâncias ou acidentes;
- ◆ Tenha um histórico de reparações efectuadas por terceiros que não sejam os agentes autorizados ou profissionais de manutenção da Black & Decker.

Para activar a garantia, será necessário enviar a prova de compra ao revendedor ou agente de reparação autorizado. Para verificar a localização do agente de reparação mais próximo de si contacte o escritório local da Black & Decker no endereço indicado neste manual. Se preferir, consulte a lista de agentes autorizados da Black & Decker e os dados completos de nossos serviços de atendimento pós-venda na Internet no endereço: [www.2helpU.com](http://www.2helpU.com).

## OUTRAS FERRAMENTAS "FAÇA VOCÊ MESMO"

A Black & Decker possui uma linha completa de ferramentas e acessórios que tornam fáceis os trabalhos feitos por si. Se deseja obter informações complementares sobre outros produtos, por favor contacte um dos Centros de Assistência ou o serviço de Apoio ao Cliente da Black & Decker (veja página de endereços dirigindo-se ao final deste manual) ou ainda um revendedor Black & Decker.

# VINKELSLIP KG900/KG915

## BÄSTE KUND!

Tack för att du har valt ett verktyg från Black & Decker. Vi hoppas att du kommer att få glädje av verktyget i många år.

## CE-FÖRSÄKRAN OM ÖVERENSSTÄMMELSE



### KG900/KG915

Black & Decker förklarar att dessa verktyg är konstruerade i överensstämmelse med: 98/37/EEG, 89/336/EEG, 73/23/EEG, EN 50144, EN 55014, EN 61000

Ljudnivå, uppmätt enligt EN 50144:

$L_{pA}$ (ljudtryck)	dB(A)	89,9
$L_{WA}$ (ljudeffekt)	dB(A)	102,9



Använd hörselskydd om ljudnivån överskrider 85 dB(A).

Det vägda geometriska medelvärdet av vibrationsfrekvensen enligt EN 50144:

< 2,5 m/s<sup>2</sup>

Kevin Hewitt

Director of Consumer Engineering  
Spennymoor, County Durham DL16 6JG,  
United Kingdom

## ANVÄNDNINGSSOMRÅDE

Din Black & Decker vinkelslip är avsedd till att skära i metall och murverk med rätt typ av kap- eller slipskiva. Den är även lämpad för finslipning med en stödskiva och sandpapper.

Verktyget är endast avsett som konsumentverktyg.

## SÄKERHETSINSTRUKTIONER

### Symboler

Följande symboler har använts i bruksanvisningen:



Anger risk för personskada, livsfara eller skada på verktyg om du inte följer de instruktioner som står i bruksanvisningen.



Anger risk för elektrisk stöt.



Läs bruksanvisningen innan du använder verktyget.



Brandfara.

### Lär känna verktyget



- ♦ **Varning!** När man använder elverktyg är det viktigt att man bl.a. följer nedanstående säkerhetsanvisningar för att minska risken för brand, elektriska stötar, personskador och materialskador.
- ♦ Var säker på att du vet hur man stänger av verktyget innan du börjar använda det.
- ♦ Spara bruksanvisningen lättillgängligt.

## Allmänt

### 1. Håll arbetsområdet i ordning

Nedskräpade ytor och arbetsbänkar inbjuder till skador.

### 2. Tänk på arbetsmiljöns inverkan

Utsätt inte verktyget för regn. Använd inte verktyget på fuktiga eller våta platser. Ha bra belysning över arbetsytan. Använd inte verktyget där det finns risk för eldsvåda eller explosion, t.ex. i närheten av lättantändliga vätskor eller gaser.

### 3. Utom räckhåll för barn

Tillåt inte barn, besökande eller djur att komma i närheten av arbetsplatsen eller att röra vid verktyget eller sladden.

### 4. Klä dig rätt

Bär inte löst hängande kläder eller smycken. De kan fastna i rörliga delar. Gummihandskar och halkfria skor rekommenderas vid utomhusarbeten. Använd hårmät om du har långt hår.

### 5. Skyddskläder

Använd alltid skyddsglasögon. Använd ansiktsmask om arbetet förorsakar damm eller partiklar i luften. Använd hörselskydd om du besväras av ljudnivån.

### 6. Eliminera risken för elektriska stötar

Undvik kroppskontakt med jordade ytor (t.ex. rör, värmeelement, vattenkokare och kylskåp). Elsäkerheten kan förbättras ytterligare genom användning av en jordfelsbrytare med hög känslighet (30 mA/30 mS).

### 7. Sträck dig inte för mycket

Se till att du alltid har säkert fotfäste och balans.

### 8. Var uppmärksam

Titta på det du gör. Använd sunt förnuft. Använd inte verktyget när du är trött.

### 9. Sätt fast arbetsstycket

Använd skruvtingar eller ett skruvstycke för att hålla fast arbetsstycket. Det är säkrare än att använda handen och du får bägge händerna fria för arbetet.

### 10. Anslut dammutsugningsutrustning

Om möjligheter finns för anslutning av utrustning för dammutsugning och dammuppsamling ska sådan utrustning anslutas och användas på korrekt sätt. OBS! Anslut endast grovsugare.

### 11. Tag bort nycklar

Kontrollera att nycklar och justerverktyg har tagits bort från verktyget innan det startas.

### 12. Förlängningssladdar

Kontrollera förlängningssladden innan den används. Byt ut den om det behövs.

Om verktyget används utomhus ska bara förlängningssladdar som är avsedda för utomhusbruk användas.

### 13. Använd rätt verktyg

Använd inte verktyg för ändamål de inte är avsedda för. Tvinga inte verktyget att göra arbeten som är avsedda för kraftigare verktyg. Använd endast tillbehör och tillsatser som är rekommenderade i bruksanvisningen och katalogerna. Överbelasta inte verktyget.

**Varning!** Användning av annat verktyg eller tillbehör kan innebära risk för personskada.

### 14. Kontrollera verktyget för skador

Kontrollera verktyget och sladden för skador innan du använder verktyget. Kontrollera att de rörliga delarna inte har fastnat eller är felmonterade. Kontrollera även att övriga delar och skydd inte är skadade och att det inte föreligger några andra fel som kan påverka verktygets funktion. Kontrollera att verktyget fungerar riktigt och kan utföra de avsedda funktionerna. Använd inte verktyget om fel uppstått på någon av dess delar. Använd inte verktyget om det inte kan kopplas till och från med strömbrytaren. Om fel uppstår skall delarna repareras eller bytas ut av en auktoriserad Black & Decker serviceverkstad. Försök aldrig reparera verktyget själv.

### 15. Dra ur kontakten

Tag ur kontakten när verktyget inte är i bruk samt före byte av någon del av verktyget, tillbehör eller verktygsfästen eller innan serviceåtgärder utförs.

### 16. Undvik oavsiktlig start

Bär aldrig verktyget med ett finger på strömbrytaren. Kontrollera att verktyget är avstängt innan du sätter i kontakten.

### 17. Misshandla inte sladden

Bär aldrig verktyget i sladden och använd inte sladden för att dra ut kontakten. Utsätt inte sladden för värmekällor, olja eller skarpa kanter.

## 18. Förvara verktyg säkert

När verktyget inte används ska det förvaras på ett torrt ställe, som antingen är låst eller högt beläget så att barn inte kan komma åt det.

## 19. Sköt verktyget med omsorg

Håll verktyget rent och använd skarpa tillbehör för bättre prestanda och säkrare drift.

Följ instruktionerna beträffande skötsel och byte av tillbehör. Håll handtagen och strömbrytare torra, rena och fria från olja och fett.

## 20. Reparationer

Detta verktyg uppfyller gällande säkerhetskrav. Reparationer ska utföras av en auktoriserad Black & Decker serviceverkstad som använder originaldelar, annars kan användaren utsättas för stor fara.

### Tillkommande säkerhetsanvisningar för vinkelslipar



Använd skyddsglasögon under arbetet med maskinen.



Använd hörselskydd under arbetet med maskinen.



Använd handskar under arbetet med maskinen.



Använd inte slipen till att kapa eller slipa lättmetall med ett magnesiuminnehåll som överstiger 80% eftersom sådana metaller är mycket lättantändliga.

- ◆ Använd endast slipskivor, kapskivor och övriga tillbehör som rekommenderas i denna manual.
- ◆ Se till att kap- eller slipskivans maximala varvtal överskrider maskinens hastighet utan belastning.
- ◆ Kapa inget material som måste kapas djupare än kapskivans maximidjup.
- ◆ Använd aldrig verktyget utan skyddet, utom för sandpapper.
- ◆ Utöva ingen kraft i sidled mot slip- eller kapskivan.
- ◆ Det här verktyget skall bara användas som handverktyg.

## Finslipning

- ◆ Använd alltid ansiktsmask när du utför sliparbeten.
- ◆ Var noga med att ta bort allt slipdamm när slipningen har avslutats.
- ◆ Var speciellt försiktig när du slipar bort färg som eventuellt innehåller bly eller vid slipning av trä- och metallmaterial som kan avge giftigt slipdamm.
  - Använd en specialkonstruerad ansiktsmask som skyddar mot damm från blyhaltiga färger och ångor, samt se till att personer som vistas på, eller kommer i närheten av arbetsplatsen också är skyddade.
  - Låt aldrig barn eller gravida kvinnor vistas på arbetsplatsen.
  - Ät, drick och rök inte på arbetsplatsen.
  - Släng damm och annat avfall på miljösäker plats.

## ELEKTRISK SÄKERHET

Den elektriska motorn är endast avsedd för en spänning. Kontrollera alltid att spänningen på nätet motsvarar den spänning som finns angiven på märkplåten.



Verktyget är dubbelisolerat motsvarande EN 50144; jordledare är således överflödigt.

## Användning med förlängningssladd

Använd en godkänd förlängningssladd lämpad för verktygets strömförbrukning (se tekniska data). Kontrollera före användning om förlängningssladden är skadad, sliten eller börjar bli gammal. Byt ut förlängningssladden om den är skadad eller trasig. Om du använder en sladdvinda, vira alltid av hela sladden. Det är risk för brand eller elchock om en förlängningssladd används som inte är avsedd för verktygets effekt eller som är skadad eller defekt.

## KARTONGENS INNEHÅLL

Kartongen innehåller:

- 1 Vinkelslip
- 1 Sidohandtag
- 1 Slip- eller kapskiva
- 1 Flänsats
- 1 Tvåstiftsnyckel
- 1 Bruksanvisning



- ◆ Packa försiktigt upp alla delar.
- ◆ Förpackningen kan eventuellt innehålla ytterligare delar, beroende på kodbokstaven som följer efter ditt verktygs katalognummer.

### ÖVERSIKT (fig. A)

1. Strömbrytare
2. Sidohandtag
3. Spindellås
4. Skydd
5. Slip- eller kapskiva

### MONTERING



Innan du utför någon av följande handlingar måste du försäkra dig om att verktyget har stängts av och att kontakten dragits ur och skivan har slutat rotera.

#### Ta av och sätta tillbaka skyddet



Använd aldrig verktyget utan skyddet, utom för sandpappersslipning.

#### Avmontage (fig. B)

Det här verktyget har ett skydd påmonterat. När man enbart skall slipa kan man ta av skyddet på följande sätt.

- ◆ Ta av den yttre flänsen, skivan och den inre flänsen på följande sätt.
- ◆ Avlägsna skruvarna (6) med en skruvmejsel.
- ◆ Ta av flänsen (7), skyddet (4) och fjäderbrickan (8). Ta hand om dessa delar ordentligt.

#### Montera tillbaka (fig. C)

- ◆ Lägg verktyget på ett bord med spindeln (9) uppåt.
- ◆ Placera in fjäderbrickan (8) över spindeln och passa in den på ansatsen (10).
- ◆ Placera skyddet på verktyget enligt figuren.
- ◆ Placera flänsen (11) över spindeln med de utskjutande delarna mot skyddet. Se till att hålen i flänsen stämmer med skruvhålen.
- ◆ Fäst flänsarna ordentligt med skruvarna (6). Se till att skruvarna sitter riktigt fast och att skyddet kan vridas.

#### Montera av sidohandtaget (fig. A)



Använd alltid sidohandtaget.

- ◆ Skruva in sidohandtaget (2) i ett av monteringshålerna i verktyget.

#### Montering och demontering av slip- och kapskivor (fig. A, D - G)



Använd alltid rätt typ av skiva för det aktuella ändamålet. Använd alltid skivor med rätt diameter och mått i axelhål (se tekniska data). Den maximala tjockleken för slipskivor är 6 mm, för kapskivor 3,5 mm.

#### Montering

- ◆ Om det är avtaget skall man sätta tillbaka skyddet som beskrivet ovan.
- ◆ Placera den inre flänsen (12) på spindeln (9) enligt bilden (fig. D). Se till att flänsen ligger ordentligt med den flata sidan mot spindeln.
- ◆ Placera skivan (5) på spindeln (9) enligt bilden (fig. E). Om skivan har en upphöjning i mitten (13) måste denna upphöjning ligga mot den inre flänsen.
- ◆ Kontrollera att skivan ligger ordentligt på den inre flänsen.
- ◆ Placera den yttre flänsen (14) på spindeln. Vid montering av en slipskiva måste upphöjningen i den yttre flänsens mitt ligga mot skivan (A i fig. F). Vid montering av en kapskiva måste upphöjningen i den yttre flänsens mitt ligga bort från skivan (B i fig. F).
- ◆ Håll spindellåset (3) intryckt och drag åt den yttre flänsen med tvåstiftsnyckeln (15) (fig. A & G). Se till att den yttre flänsen är korrekt monterad för den typ av skiva som används och att skivan är korrekt fastspänd.

#### Borttagning

- ◆ Håll spindellåset (3) intryckt och lossa den yttre flänsen (14) med tvåstiftsnyckeln (15) (fig. A & G).
- ◆ Avlägsna den yttre flänsen (14) och skivan (5).

## Montering och demontering av slippapper (fig. A, H & I)

För slipning krävs en stödskiva. Denna finns tillgänglig som tillbehör från din Black & Decker återförsäljare.

### Montering

- ◆ Avlägsna skyddet enligt ovanstående beskrivning.
- ◆ Placera den inre flänsen (12) på spindeln (9) enligt bilden (fig. H). Se till att flänsen ligger ordentligt med den flata sidan mot spindeln.
- ◆ Placera stödskivan (16) på spindeln.
- ◆ Placera slippapperet (17) på stödskivan.
- ◆ Placera den yttre flänsen (14) på spindeln med upphöjningen i mitten riktad bort från skivan.
- ◆ Håll spindellåset (3) intryckt och dra åt den yttre flänsen med tvåstiftsnyckeln (15) (fig. A & I). Se till att den yttre flänsen är korrekt monterad och att skivan är riktigt fastspänd.

### Borttagning

- ◆ Håll spindellåset (3) intryckt och lossa den yttre flänsen (14) med tvåstiftsnyckeln (15) (fig. A & I).
- ◆ Avlägsna den yttre flänsen (14), slippapperet (17) och stödskivan (16).



Sätt tillbaka skyddet på verktyget när du har slutat slipa.

### ANVÄNDNING



Överbelasta inte maskinen, låt den arbeta i sin egen takt.

- ◆ Var noga med hur du leder sladden så att du inte råkar skära i den.
- ◆ Var beredd på en kvast av gnistor när slip- eller kapskivan vidrör arbetsstycket.
- ◆ Håll verktyget alltid så att skyddet ger maximal avskärmning av slip- eller kapskivan.



Använd skyddsglasögon under arbetet med maskinen.

### Start och stopp (fig. J)

- ◆ Skjut strömbrytaren (1) framåt för att starta apparaten. Kom i håg att verktyget fortsätter att vara i gång när du släpper strömbrytaren.

- ◆ Tryck på strömbrytarens bakre del för att stänga av.

### Råd för bästa resultat

- ◆ Håll verktyget stadigt med ena handen runt sidohandtaget och den andra runt motorhuset (fig. K).
- ◆ En slipskiva bör alltid hållas i en vinkel på ca. 15° gentemot arbetsstyckets yta (fig. L).

### SKÖTSEL

Ditt Black & Decker verktyg har tillverkats för att fungera under lång tid med ett minimum av skötsel. Med rätt underhåll och regelbunden rengöring bibehåller verktyget sin prestanda.



Vid underhåll och skötsel skall verktyget vara avstängt och sladden utdragen.

- ◆ Rengör regelbundet verktygets luftintag med en mjuk borste eller torr trasa.
- ◆ Rengör kåpan regelbundet med en fuktig trasa. Använd aldrig rengöringsmedel med lösnings- eller slipmedel i.

### MILJÖ



När ditt verktyg är utslitet, skydda naturen genom att inte slänga det tillsammans med vanligt avfall. Lämna det till de uppsamlingsställen som finns i din kommun eller där du köpt verktyget.

### Tekniska data

	KG900	KG915
Spänning	V <sub>AC</sub> 230	230
Ineffekt	W 900	900
Obelastad hastighet	min <sup>-1</sup> 10.000	10.000
Skivdiameter	mm. 100	115
Axelhål	mm. 16	22
Spindelgånga	M10	M14
Vikt	kg 2,1	2,1

## RESERVDELAR / REPARATIONER

Reservdelar finns att köpa hos auktoriserade Black & Decker verkstäder, som även ger kostnadsförslag och reparerar våra produkter.

Förteckning över våra auktoriserade verkstäder finns på Internet, vår hemsida [www.blackdecker.se](http://www.blackdecker.se) samt [www.2helpU.com](http://www.2helpU.com).

## GARANTI

Black & Decker garanterar att produkten är fri från material- och/eller fabrikationsfel vid leverans till kund. Garantin är i tillägg till konsumentens lagliga rättigheter och påverkar inte dessa. Garantin gäller inom medlemsstaterna i Europeiska Unionen och i det Europeiska Frihandelsområdet.

Om en Black & Decker produkt går sönder på grund av material- och/eller fabrikationsfel eller brister i överensstämmelse med specifikationen, inom 24 månader från köpet, åtar sig Black & Decker att reparera eller byta ut produkten med minsta besvär för kunden.

Garantin gäller inte för fel som beror på:

- ◆ normalt slitage
- ◆ felaktig användning eller skötsel
- ◆ att produkten skadats av främmande föremål, ämnen eller genom olyckshändelse

Garantin gäller inte om reparation har utförts av någon annan än en auktoriserad Black & Decker verkstad.

För att utnyttja garantin skall produkten och inköpskvittot lämnas till återförsäljaren eller till en auktoriserad verkstad senast 2 månader efter det att felet har upptäckts. För information om närmaste auktoriserad verkstad; kontakta det lokala Black & Decker kontoret på den adress som är angiven i bruksanvisningen. En lista på alla auktoriserade verkstäder samt servicevillkor finns även tillgängligt på Internet, adress: [www.2helpU.com](http://www.2helpU.com).

## ANDRA GÖR-DET-SJÄLV-VERKTYG

Black & Decker har ett stort urval verktyg som underlättar alla gör-det-själv-arbeten. Kontakta närmaste Black & Decker återförsäljare för ytterligare information eller besök vår hemsida [www.blackdecker.se](http://www.blackdecker.se).

Borrmaskiner  
 Uppladdningsbara skruvdragare  
 Uppladdningsbara bormaskiner/skruvdragare  
 Slipmaskiner  
 Sticksågar  
 Cirkelsågar  
 Geringssågar  
 Vinkelslipar  
 Planslipar  
 Handöverfräsar  
 Multiverktyg  
 Varmluftspistoler  
 Arbetsbänkar

Vi har också ett stort urval tillbehör för verktygen ovan.

Alla produkter är inte tillgängliga i vissa länder.

# VINKELSLIPER KG900/KG915

## KJÆRE KUNDE!

Du har valgt et Black & Decker verktøy. Vi håper at du vil ha glede av dette verktøyet i mange år fremover.

## CE-SIKKERHETSERKLÆRING



### KG900/KG915

Black & Decker erklærer at disse verktøyer er konstruert i henhold til:

98/37/EØF, 89/336/EØF, 73/23/EØF,  
EN 50144, EN 55014, EN 61000

Lydnivået, målt i henhold til EN 50144:

$L_{pA}$ (lydnivå)	dB(A)	89,9
$L_{WA}$ (akustisk effekt)	dB(A)	102,9



Bruk hørselsbeskyttelse dersom lydnivået overskrider 85 dB(A).

Den veide geometriske middelverdien av vibrasjonsfrekvensen i følge EN 50144:

< 2,5 m/s<sup>2</sup>

Kevin Hewitt

Director of Consumer Engineering  
Spennymoor, County Durham DL16 6JG,  
United Kingdom

## BRUKSOMRÅDER

Din Black & Decker vinkelsliper er utformet for kapping av metall og murverk ved bruk av egnet kappe- eller slipeskive. Den er også egnet til pussing ved hjelp av pusserondell og sandpapisliver.

Verktøyet er tiltenkt kun som konsumentverktøy.

## SIKKERHETSINSTRUKSJONER

### Symboler

Følgende symboler brukes i denne bruksanvisningen:



Betegner risiko for personskade, livsfare eller skade på verktøyet dersom instruksene i denne bruksanvisningen ikke følges.



Betegner risiko for elektrisk støt.



Les bruksanvisningen før du bruker verktøyet.



Brannfare.

### Lær verktøyet å kjenne



- ♦ **Advarsel!** Ved bruk av elektroverktøy, må du alltid følge en del grunnleggende sikkerhetsregler, inkludert følgende, for å redusere faren for brann, elektrisk støt, personskade og materialskade.
- ♦ Ta deg tid til å lese nøye gjennom bruksanvisningen før du begynner å bruke verktøyet.
- ♦ Vær sikker på at du vet hvordan man slår av verktøyet før du begynner å bruke det.
- ♦ Oppbevar bruksanvisningen på et lett tilgjengelig sted.

## Generelt

- 1. Hold arbeidsområdet rent og ryddig**  
En uryddig arbeidsplass innbyr til skader.
- 2. Tenk på arbeidsmiljøets innvirkning**  
Utsett ikke verktøyet for regn. Bruk ikke verktøyet under våte eller fuktige forhold. Pass på at arbeidsområdet er godt opplyst. Bruk ikke verktøyet hvor det er fare for forårsaking av brann eller en eksplosjon, f. eks. i nærheten av brannfarlige væsker eller gasser.
- 3. Hold barn unna**  
Ikke la barn, besøkende eller dyr komme i nærheten av arbeidsområdet eller berøre verktøyet eller strømkabelen.
- 4. Kle deg riktig**  
Ha ikke på deg løstsittende klær eller smykker. De kan sette seg fast i de bevegelige delene. Vi anbefaler gummihansker og sko som ikke glir når du arbeider utendørs. Bruk hånett hvis du har langt hår.
- 5. Personlig vern**  
Bruk vernebriller. Bruk en ansikts- eller støvmaske når operasjonene kan forårsake støv eller flyvende partikler. Bruk ørevern når støynivået virker ukomfortabelt.
- 6. Vern mot elektrisk støt**  
Unngå kroppskontakt med jordede overflater (f. eks. rør, radiatorer, komfyrer og kjøleskap). Strømsikkerheten kan forbedres ytterligere ved bruk av jordfeilbryter med høy følsomhet (30 mA/30 mS).
- 7. Strekk deg ikke for langt**  
Pass på at du alltid har sikkert fotfeste og balanse.
- 8. Vær oppmerksom**  
Se på det du gjør. Bruk sunn fornuft. Bruk ikke maskinen når du er trett.
- 9. Sikre arbeidsstykket**  
Bruk tvinger eller skrustikker til å feste arbeidsstykket med. Dette er sikrere enn å bruke hånden, og du får begge hendene fri til å styre verktøyet.
- 10. Kople til støvutsugstutyr**  
Hvis det følger med utstyr for tilkoping av støvutsug og støvoppsamling, må du sørge for at dette koples til og brukes riktig. NB! Benytt kun grovsugere!

## 11. Fjern nøkler

Gjør det til vane å sjekke om nøkler og justeringsverktøy er fjernet før verktøyet startes.

## 12. Skjøteledninger

Før bruk må du kontrollere skjøteledningen og bytte den ut hvis den er skadet. Når du bruker verktøyet utendørs, må du kun bruke skjøteledninger beregnet for utendørs bruk.

## 13. Bruk riktig verktøy

Bruk ikke verktøyet til formål det ikke er ment for. Tving ikke en maskin til å gjøre arbeid som krever kraftigere verktøy. Bruk bare tilbehør og utstyr som anbefales i bruksanvisningen og i katalogene. Overbelast ikke verktøyet.

**Advarsel!** Bruk av annet verktøy eller tilbehør kan medføre en mulig risiko for personskade.

## 14. Sjekk verktøyet for skader

Kontroller verktøyet og strømledningen grundig for skade før bruk. Se etter feiljusteringer, om deler har satt seg fast eller har gått i stykker, skadede deksler og brytere eller andre forhold som kan påvirke bruken av verktøyet. Kontroller at verktøyet fungerer som det skal og utfører beregnet funksjon. Bruk aldri verktøyet hvis noen av delene er skadet. Ikke bruk verktøyet hvis det ikke er mulig å slå det på og av med strømbryteren. Hvis noen av delene er skadet så få de reparert eller byttet ut av et autorisert Black & Decker serviceverksted. Prøv aldri å reparere selv.

## 15. Trekk ut støpselet

Trekk ut støpselet når verktøyet ikke er i bruk, før du bytter noen av delene på verktøyet, tilbehør eller tilslutning og før vedlikeholdelse.

## 16. Unngå utilsiktet start

Bær aldri verktøyet med fingeren på strømbryteren. Pass på at verktøyet er slått av når du setter i støpselet.

## 17. Ikke mislighold ledningen

Ikke bær verktøyet etter ledningen eller trekk i ledningen når du skal ta ut støpselet. Utsett ikke ledningen for varme, olje, eller skarpe kanter.

## 18. Oppbevar verktøy på et trygt sted

Når verktøyet ikke er i bruk, bør det oppbevares på et tørt sted som er låst eller høyt oppe, utenfor barns rekkevidde.

## 19. Vær nøye med vedlikeholdet

Hold verktøyet rent og bruk skarpe tilbehør for bedre prestasjon og sikrere drift.

Følg forskriftene når det gjelder vedlikehold og skifte av tilbehør. Hold håndtakene og brytere tørre, rene og fri for olje og fett.

## 20. Reparasjoner

Dette verktøyet overholder relevante sikkerhetskrav. Reparasjoner må bare utføres av autoriserte Black & Decker serviceverksteder som benytter originale reservedeler, ellers kan det være farlig å bruke utstyret.

### Ekstra sikkerhetsinstruksjoner for vinkelslipere



Ha på deg vernebriller når du bruker dette verktøyet.



Ha på deg ørevern når du bruker dette verktøyet.



Ha på deg hansker når du bruker dette verktøyet.



Ikke kapp eller slip lettmetall med et magnesiuminnhold over 80 %, da denne metalltypen er brennbar.

- ◆ Ikke bruk andre kappe- og slipeskiver eller annet tilbehør enn det som er anbefalt i denne håndboken.
- ◆ Pass på at maksimal hastighet for kappe- eller slipeskiven er høyere enn ubelastet hastighet for verktøyet.
- ◆ Ikke kapp arbeidsemner som krever en maksimal kappedybde som er større enn kappeskivens dybde.
- ◆ Du må aldri bruke verktøyet uten beskyttelsen, bortsett for når du pusser.
- ◆ Ikke utsett kappe- eller slipeskiven for trykk fra siden.
- ◆ Dette verktøyet skal kun brukes som håndholdt verktøy.

### Pussing

- ◆ Bruk en maske når du sliper.
- ◆ Fjern alt støv grundig etter pussing.

- ◆ Vær ekstra forsiktig når du pusser maling som kan inneholde bly, eller metall som kan avgir giftig støv:
  - Bruk en spesialmaske som beskyttelse mot blystøv og damp, og pass på at andre som kommer inn der du arbeider, også beskyttes seg.
  - La ikke barn eller gravide komme inn der du arbeider.
  - Ikke spis, drikk eller røyk der du arbeider.
  - Deponer støvpartikler eller annet avfall på en miljøvennlig måte.

### ELEKTRISK SIKKERHET

Den elektriske motoren er kun konstruert for én spenning. Kontroller alltid at nettspenningen er i overensstemmelse med spenningen på typeskiltet.



Verktøyet er dobbeltisolert i samsvar med EN 50144. Jordet ledning er derfor ikke nødvendig.

### Bruk med skjøteledning

Bruk en godkjent skjøteledning som er egnet til dette verktøyets kraftbehov (se tekniske data). Før bruk må du kontrollere at skjøteledningen ikke er skadet eller slitt. Skift ut skjøteledningen hvis den er skadet. Hvis du bruker en kabeltrommel, vikl alltid ut all ledningen. Bruk av skjøteledning som er uegnet som strømtilførsel til verktøyet eller som er skadet eller defekt, kan føre til fare for brann og elektrisk støt.

### INNHOOLD I KARTONGEN

Kartongen inneholder:

- 1 Vinkelsliper
- 1 Sidehåndtak
- 1 Slipe- eller kappeskive
- 1 Flensesett
- 1 Dobbelt skiftenøkkel
- 1 Bruksanvisning
- ◆ Pakk forsiktig ut alle delene.
- ◆ Vær oppmerksom på at det kan finnes andre deler i pakken, avhengig av bokstavkoden etter katalognummeret til ditt verktøy.

**OVERSIKT (fig. A)**

1. Strømbryter
2. Sidehåndtak
3. Spindellås
4. Beskyttelse
5. Slipe- eller kappeskive

**MONTERING**

Før du forsøker noe av følgende, må du passe på at verktøyet er slått av og koplet fra strømtilførselen, og at skiven har sluttet å rotere.

**Fjerne og montere beskyttelsen på nytt**

Du må aldri bruke verktøyet uten beskyttelsen, bortsett for når du skal pusse.

**Fjerne (fig. B)**

Dette verktøyet leveres med en beskyttelse. Beskyttelsen kan kun fjernes når du skal pusse. Følg denne fremgangsmåten.

- ◆ Fjern ytterflensen, skiven og innerflensen som beskrevet nedenfor.
- ◆ Bruk en skrutrekker til å fjerne skruene (8).
- ◆ Fjern flensen (7), beskyttelsen (4) og fjærskiven (8). Oppbevar disse delene forsiktig.

**Montere på nytt (fig. C)**

- ◆ Legg verktøyet på et bord, med spindelen (9) opp.
- ◆ Sett fjærskiven (8) over spindelen og plasser den på skulderen (10).
- ◆ Sett beskyttelsen på maskinen som vist.
- ◆ Plasser flensen (11) over spindelen med de utstikkende rørene mot beskyttelsen. Kontroller at hullene i flensen er på linje med skru hullene.
- ◆ Fest flensen med skruene (6). Kontroller at skruene er strammet til, og at beskyttelsen kan roteres.

**Sette på sidehåndtaket (fig. A)**

Bruk alltid sidehåndtaket.

- ◆ Skru sidehåndtaket (2) inn i ett av festehullene på verktøyet.

**Sette på og ta av slipe- eller kappeskivene (fig. A, D-G)**

Bruk alltid riktig type skive til formålet. Bruk alltid skiver med riktig diameter og hullstørrelse (se den tekniske informasjonen). Maksimal tykkelse på slipeskiver er 6 mm og 3,5 mm for kappeskiver.

**Montere**

- ◆ Er den fjernet, monteres vernet som forklart ovenfor.
- ◆ Sett innerflensen (12) inn på spindelen (9), som vist (fig. D). Pass på at flensen sitter riktig på de flate sidene av spindelen.
- ◆ Sett skiven (5) inn på spindelen (9), som vist (fig. E). Hvis skiven har et hevet felt i midten (13), må du passe på at dette feltet er vendt mot innerflensen.
- ◆ Pass på at skiven sitter riktig på innerflensen.
- ◆ Sett ytterflensen (14) inn på spindelen. Når du setter på en slipeskive, må det hevede feltet på ytterflensen være vendt mot skiven (A i fig. F). Når du setter på en kappeskive, må det hevede feltet på ytterflensen være vendt bort fra skiven (B i fig. F).
- ◆ Hold spindellåsen (3) nede og stram ytterflensen ved hjelp av skiftene nøkkelen (15) (fig. A & G). Kontroller at ytterflensen er riktig montert for skivetypen som brukes, og at skiven er godt festet.

**Fjerne**

- ◆ Hold spindellåsen (3) nede og løsne ytterflensen (14) med skiftene nøkkelen (15) (fig. A & G).
- ◆ Ta av ytterflensen (14) og skiven (5).

**Sette på og ta av sandpapirskiver (fig. A, H & I)**

Du trenger en pusserondell når du skal pusse. Denne bestiller du fra din Black & Decker-forhandler som tilbehør.

## Montere

- ◆ Ta av beskyttelsen som beskrevet ovenfor.
- ◆ Sett innerflensen (12) inn på spindelen (9), som vist (fig. H). Pass på at flensen sitter riktig på de flate sidene av spindelen.
- ◆ Sett pusserondellen (16) inn på spindelen.
- ◆ Sett sandpapirkiven (17) inn på pusserondellen.
- ◆ Sett ytterflensen (14) inn på spindelen med det hevede feltet bort fra skiven.
- ◆ Hold spindellåsen (3) nede, og stram ytterflensen ved bruk av skiftenøkkelen (15) (fig. A & I). Kontroller at ytterflensen er riktig montert og at skiven er godt festet.

## Fjerne

- ◆ Hold spindellåsen (3) nede og løsne ytterflensen (14) ved hjelp av skiftenøkkelen (15) (fig. A & I).
- ◆ Ta av ytterflensen (14), sandpapirkiven (17) og pusserondellen (16).



Sett beskyttelsen på verktøyet igjen etter pussing.

## BRUK



La verktøyet jobbe i sin egen hastighet. Ikke overbelast.

- ◆ Før ledningen forsiktig slik at du unngår å kutte den ved et uhell.
- ◆ Husk at det vil sprute gnister når slipe- eller kappeskiven settes ned på arbeidsemnet.
- ◆ Hold alltid verktøyet slik at beskyttelsen verner deg optimalt mot sprut fra slipe- eller kappeskiven.



Ha på deg vernebriller når du bruker dette verktøyet.

## Start og stopp (fig. J)

- ◆ For å slå på verktøyet skyver du strømbryteren (1) fremover. Vær oppmerksom på at verktøyet vil fortsette å gå når du slipper bryteren.
- ◆ For å slå av verktøyet trykker du på bakre del av på/av-bryteren.

## Råd for optimalt resultat

- ◆ Hold verktøyet godt fast, med den ene hånden rundt sidehåndtaket og den andre hånden rundt motorhuset (fig. K).
- ◆ La det alltid være en vinkel på omtrent 15° mellom skiven og overflaten på arbeidsemnet når du sliper (fig. L).

## VEDLIKEHOLD

Ditt Black & Decker verktøy har blitt utformet for å være i drift over en lang periode med et minimum av vedlikehold. Ved riktig vedlikehold og regelmessig rengjøring beholder verktøyet sin prestasjon.



Før du setter igang hvilke som helst vedlikeholdelse må verktøyet slås av og kontakten trekkes ut.

- ◆ Rengjør luftinntaket på verktøyet regelmessig med en myk børste eller en tørr klut.
- ◆ Rengjør kåpen regelmessig med en fuktig klut. Ikke bruk slipende eller løsemiddelbaserte rengjøringsmidler.

## MILJØ



Når verktøyet ditt er utslitt, beskytt naturen ved ikke å kaste det sammen med vanlig avfall. Lever det til en oppsamlingsplass som finnes i din kommune eller der hvor du kjøpte verktøyet.

## Tekniske data

		KG900	KG915
Spenning	V <sub>AC</sub>	230	230
Inn-effekt	W	900	900
Hastighet ubelastet	min <sup>-1</sup>	10.000	10.000
Skivediameter	mm	100	115
Hullstørrelse	mm	16	22
Spindelstørrelse		M10	M14
Vekt	kg	2,1	2,1



## RESERVDELER / REPARASJONER

Reservdeler kan kjøpes hos autoriserte Black & Decker serviceverksteder, som også gir kostnadsoverslag og reparerer våre produkter.

Oversikt over våre autoriserte serviceverksteder finnes på Internet, vår hjemmeside [www.blackdecker.no](http://www.blackdecker.no) samt [www.2helpU.com](http://www.2helpU.com).

## GARANTI

Black & Decker garanterer at produktet ikke har material- og/eller fabrikkasjonsfeil ved levering til kunde. Garantien er i tillegg til kundens lovlige rettigheter og påvirker ikke disse. Garantien gjelder innen medlemsstatene i den Europeiske Unionen og i det Europeiske Frihandelsområdet.

Hvis et Black & Decker produkt går i stykker på grunn av material- og/eller fabrikkasjonsfeil eller har mangler i forhold til spesifikasjonene, innen 24 måneder fra kjøpet, påtar Black & Decker seg å reparere eller bytte ut produktet med minst mulig vanskelighet for kunden.

Garantien gjelder ikke for feil som kommer av:

- ◆ normal slittasje
- ◆ feilaktig bruk eller vedlikehold (mislighold)
- ◆ at produktet har blitt skadet av fremmede gjenstander, emner eller ved et uhell

Det gjøres oppmerksom på at produktet ikke er beregnet på industriell/profesjonell/yrkesmessig bruk, men til hus- og hjemmebruk.

Garantien gjelder ikke om reparasjoner har blitt utført av noen andre enn et autorisert Black & Decker serviceverksted.

For å ta garantien i bruk skal produktet og kjøpekvitteing leveres til forhandleren eller til et autorisert serviceverksted senest 2 måneder etter at feilen har blitt oppdaget. For informasjon om nærmeste autoriserte serviceverksted; kontakt det lokale Black & Decker kontoret på den adressen som er angitt i bruksanvisningen. En oversikt over alle autoriserte serviceverksteder samt servicevilkår finnes også tilgjengelig på Internet, adresse: [www.2helpU.com](http://www.2helpU.com).

## ANDRE GJØR-DET-SELV VERKTØY

Black & Decker har et stort utvalg av verktøy slik at alle gjør-det-selv jobbene blir enklere. Kontakt nærmeste Black & Decker forhandler for ytterligere informasjon eller besøk vår hjemmeside: [www.blackdecker.no](http://www.blackdecker.no).

Bormaskiner  
Oppladbare skruttrekkere  
Oppladbare bormaskiner/skruttrekkere  
Slipemaskiner  
Sirkelsager  
Stikksager  
Vinkelslipere  
Høvler  
Håndoverfresere  
Multiverktøy  
Varmluftpistoler  
Kapp- og gjærsager  
Arbeidsbenker

Vi har også et stort utvalg av tilbehør for verktøyene ovenfor.

Ikke alle produkter er tilgjengelige i alle land.

# VINKELSLIBER KG900/KG915

Tak fordi du valgte Black & Decker. Vi håber at du får glæde af dette værktøj i mange år fremover.

## EU-OVERENSSTEMMELSESERKLÆRING



### KG900/KG915

Black & Decker erklærer, at disse værktøjer er konstrueret i henhold til: 98/37/EØF, 89/336/EØF, 73/23/EØF, EN 50144, EN 55014, EN 61000

Lydniveauet målt i henhold til EN 50144:

LpA (lydniveau)	dB(A)	89,9
LWA (akustisk styrke)	dB(A)	102,9



Anvend høreværn, hvis lydniveauet overstiger 85 dB(A).

Den vægtede geometriske middelværdi af accelerationsfrekvensen i henhold til EN 50144:

< 2,5 m/s <sup>2</sup>
------------------------

Kevin Hewitt  
 Director of Consumer Engineering  
 Spennymoor, County Durham DL16 6JG,  
 United Kingdom

## ANVENDELSESOMRÅDE

Din Black & Decker vinkelsliber er konstrueret til at skære metal og murværk ved hjælp af passende typer skære- eller slibeskiver. Den er også velegnet til slibning ved hjælp af en støtterondel og en sliberondel.

Værktøjet er kun beregnet til privat brug.

## SIKKERHEDSINSTRUKTIONER

### Piktogrammer

Følgende piktogrammer anvendes i denne brugsanvisning:



Angiver risiko for personskade, livsfare eller ødelæggelse af værktøjet, hvis brugsanvisningens instruktioner ikke følges.



Angiver risiko for elektrisk stød.



Læs brugsanvisningen igennem, inden værktøjet tages i brug.



Brandfare.

### Lær værktøjet at kende



- ♦ **Advarsel!** Ved brug af elværktøj skal de grundlæggende sikkerhedsforanstaltninger altid følges, således at risikoen for brand, elektrisk stød, person- og materialeskader begrænses.
- ♦ Læs denne brugsanvisning igennem, inden værktøjet tages i brug.
- ♦ Du skal sikre dig, at du ved, hvordan værktøjet slukkes, inden det tages i brug.
- ♦ Opbevar brugsanvisningen let tilgængeligt.

## Generelt

### 1. Hold arbejdsområdet i orden

Risikoen for uheld er mindre hvis man holder orden omkring arbejdsområdet.

### 2. Tænk på arbejdsmiljøets indflydelse

Udsæt ikke værktøjet for regn. Anvend ikke værktøjet på fugtige eller våde pladser. Sørg for en god belysning over arbejdsområdet. Anvend ikke værktøjet hvor der eksisterer risiko for at brand kan opstå eller eksplosioner forekomme, som følge af brug af værktøjet. F. eks. aldrig i nærheden af let antændelige væsker eller gasser.

### 3. Hold børnene på afstand

Børn, besøgende eller dyr må ikke nærme sig arbejdsområdet eller røre ved værktøjet eller netkablet.

### 4. Klæd dig rigtigt på

Bær ikke løst hængende tøj eller smykker. De kan sidde fast i bevægelige dele. Gummihandsker og skridsikre sko anbefales ved udendørs arbejde. Brug hårnæ, hvis du har langt hår.

### 5. Personlig beskyttelse

Brug beskyttelsesbriller. Brug ansigts- eller støvmaske, når brug af værktøjet kan medføre støv eller flyvende partikler. Brug høreværn, når lydniveauet virker generende.

### 6. Beskyttelse mod elektrisk stød

Undgå kropskontakt med jordede emner (f.eks. rør, radiatorer, komfurer og køleskabe). Den elektriske sikkerhed kan forbedres yderligere ved brug af en højfølsom (30 mA / 30 mS) fejlstrømsafbryder (RCD).

### 7. Stræk dig ikke for meget

Sørg for, at du altid har sikkert fodfæste og balance.

### 8. Vær opmærksom

Se på det, du gør. Brug din sunde fornuft. Brug ikke værktøjet, når du er trætt.

### 9. Sæt arbejdsemnet fast

Brug skruetvinger eller skruestik for at spænde arbejdsemnet fast. Det er sikrere end at bruge hånden, og du får begge hænder fri til arbejdet.

### 10. Tilslut støvudsugningsudstyret

Hvis der findes enheder til tilslutningsfunktionerne støvudsugning og støvopsamling, skal man sørge for, at disse tilsluttes og bruges korrekt.

### 11. Fjern nøglerne

Kontroller at nøgler og justerværktøj er fjernet fra værktøjet, inden det startes.

### 12. Forlængerkabler

Før brugen skal forlængerkablet efterses og udskiftes, hvis det er skadet. Ved brug af værktøjet udendørs må man kun benytte forlængerledninger, der er beregnet til udendørs brug.

### 13. Brug det rigtige værktøj

Brugen af værktøjet er beskrevet i denne brugsanvisning. Tving ikke elværktøj til at udføre arbejde, som er beregnet til kraftigere værktøj. Brug kun tilbehør og dele, der er anbefalet i brugsanvisningen og katalogerne. Værktøjet må ikke forceres.

**Advarsel!** Anvendelsen af andet tilbehør eller udførelse af opgaver med andet værktøj end det her anbefalede kan medføre risiko for personskader.

### 14. Kontrollér værktøjet for skader

Kontrollér omhyggeligt værktøjet og netkablet for beskadigelser, før det tages i brug. Check de bevægelige dele for skæv indstilling og sammenbrændinger, kontrollér for brud på dele, skader på skærme og kontakter samt alt andet, der kan påvirke værktøjets funktion. Kontrollér, at værktøjet fungerer rigtigt og kan udføre det arbejde, det er beregnet til. Værktøjet må ikke benyttes, hvis en af delene er beskadiget eller defekt. Brug ikke værktøjet, hvis det ikke kan tændes og slukkes ved afbryderen. Skadede eller defekte dele skal repareres eller udskiftes af en autoriseret tekniker. Man må aldrig forsøge selv at reparere værktøjet.

### 15. Afbryd værktøjet

Afbryd værktøjet når det er ude af brug og før udskiftning af enhver værktøjsdel, tilbehør eller andet udstyr.

### 16. Undgå utilsigtet start af værktøjet

Man må ikke bære værktøjet med en finger på tænd/sluk knappen. Sørg for, at værktøjet er slukket, når ledningen tilsluttes strømmen.

### 17. Vær forsigtig med ledningen

Man må aldrig bære værktøjet i ledningen eller tage det ud af stikkontakten ved at rive i ledningen.

Ledningen skal holdes på afstand fra varme, olie og skarpe kanter.

## 18. Opbevar værktøjet sikkert, når det ikke bruges

Når værktøj ikke er i brug, skal det opbevares på et tørt sted, aflåst eller anbragt højt udenfor børns rækkevidde.

## 19. Vedligehold værktøjet omhyggeligt

Skærende værktøjer skal holdes skarpe og rene, for på denne måde at opnå et bedre og mere sikkert brug. Følg vedligeholdelsesvejledningen samt vejledningen til udskiftning af tilbehør. Hold håndtagene og knapperne tørre, rene og fri for olie og fedt.

## 20. Reparationer

Dette værktøj opfylder de relevante sikkerhedskrav. Reparationer må kun foretages af dertil kvalificerede personer, som bruger originale reservedele. I modsat fald kan der opstå betydelig fare for brugeren.

### Yderligere sikkerhedsanvisninger for vinkelslibere



Det anbefales at bære sikkerhedsbriller, når man arbejder med dette værktøj.



Man skal benytte høreværn, når man arbejder med dette værktøj.



Man skal bruge handsker, når man arbejder med dette værktøj.



Undgå at skære eller slibe letmetal, der indeholder mere end 80% magnesium, da denne slags metal er brandfarlig.

- ◆ Benyt kun slibe- og skæreskiver og andet tilbehør, der er anbefalet i denne manual.
- ◆ Sørg for, at slibeslivens og skæreslivens maksimumhastighed er højere end det ubelastede værktøjs højeste tilladte hastighed.
- ◆ Skær ikke i arbejdsemner, der kræver en maksimal skæredybde, som overskrider skæreslivens skæredybde.
- ◆ Benyt aldrig værktøjet uden beskyttelseskærmen, bortset fra ved slibning.
- ◆ Der må aldrig udøves sidepres på slibe- eller skæreskiven.
- ◆ Benyt kun dette værktøj som håndværktøj.

## Slibning med rondeller

- ◆ Man bør bære støvmaske, når man sliber.
- ◆ Man skal grundigt fjerne alt støv efter slibning.
- ◆ Man skal være specielt opmærksom ved slibning af maling, som er blybaseret, og ved slibning af nogle typer træ og metal, som kan frembringe giftigt støv:
  - Man skal bære en specielt designet støvmaske til beskyttelse mod støv frembragt af blybaseret maling og blybaserede dampe, samt sikre sig, at personer indenfor arbejdsområdet også er beskyttet.
  - Børn og gravide kvinder må ikke betræde arbejdsområdet.
  - Man må hverken spise, drikke eller ryge inden for arbejdsområdet.
  - Man skal bortskaffe støvpartikler og andet affald på sikker måde.

## ELEKTRISK SIKKERHED

Elmotoren er kun beregnet til én spænding. Kontroller, at strømforsyningen svarer til spændingen på typeskiltet.



Værktøjet er dobbelt isoleret i henhold til EN 50144; jordledning er derfor ikke påkrævet.

## Anvendelse af forlængerledning

Der skal bruges en forlængerledning svarende til maskinens strømforbrug (se de tekniske specifikationer). Den mindste lederstørrelse er 1,5 mm<sup>2</sup>. Før brug kontrolleres forlængerledningen for tegn på skader, slid og ældning. Udskift forlængerledningen, hvis den bliver beskadiget eller defekt. Ved anvendelse af en kabeltromle, skal kablet altid vindes helt ud. Brug af et forlængerkabel, der ikke passer til værktøjets strøminput, eller som er beskadiget eller defekt, kan resultere i risiko for brand og elektrisk stød.

## KASSENS INDHOLD

Kassen indeholder følgende:

- 1 Vinkelsliber
- 1 Sidehåndtag
- 1 Slibe- eller skæreskive
- 1 Flangesæt

- 1 Skruenøgle med to tappe
- 1 Brugsvejledning

- ◆ Pak forsigtigt alle dele ud.
- ◆ Bemærk, at kassen kan indeholde ekstra dele, afhængig af sidste bogstav i katalognummeret på værktøjet.

### OVERSIGT (fig. A)

1. Afbryder
2. Sidehåndtag
3. Spindellås
4. Beskyttelseskærm
5. Slibe- eller skæreskive

### MONTERING



Før man udfører nogen af nedenstående operationer, skal man sikre sig, at værktøjet er slukket og taget ud af stikkontakten, og at skiven er holdt op med at rotere.

### Fjernelse og genmontering af beskyttelseskærmen



Benyt aldrig værktøjet uden beskyttelseskærmen, bortset fra ved slibning.

### Fjernelse (fig. B)

Dette værktøj er forsynet med en skærm. Hvis der kun skal slibes, kan man tage skærmen af således:

- ◆ Fjern den ydre flange, skiven og den indre flange som beskrevet nedenfor.
- ◆ Benyt en skruetrækker til at fjerne skrueerne (6) med.
- ◆ Fjern flangen (7), skærmen (4) og fjederskiven (8). Opbevar disse dele omhyggeligt.

### Genmontering (fig. C)

- ◆ Placer værktøjet på et bord med spindelen (9) opad.
- ◆ Placer fjederskiven (8) over spindelen og anbring den på skulderen (10).
- ◆ Placer beskyttelseskærmen på værktøjet som vist.
- ◆ Placer flangen (11) over spindelen med de fremstående rør vendt mod skærmen.

Sørg for, at hullerne i flangen er på linje med skruerhullerne.

- ◆ Fastgør beskyttelseskærmen med skrueerne (6). Sørg for at skrueerne er strammet helt, og at skærmen kan drejes.

### Montering af sidehåndtaget (fig. A)



Benyt altid sidehåndtaget.

- ◆ Skru sidehåndtaget (2) ind i et af monteringshullerne i værktøjet.

### Montering og demontering af slibe- eller skæreskiver (fig. A, D - G)



Man skal altid benytte skiver af korrekt type til anvendelsen. Benyt altid skiver med korrekt diameter og hulstørrelse (se tekniske specifikationer).

Maksimumtykkelsen for slibeskiver er 6 mm og for skæreskiver 3,5 mm.

### Montering

- ◆ Hvis beskyttelseskærmen er fjernet, skal den sættes på plads igen som beskrevet ovenfor.
- ◆ Placer den indre flange (12) på spindelen (9) som vist (fig. D). Sørg for, at flangen er korrekt placeret på den flade side af spindelen.
- ◆ Placer skiven (5) på spindelen (9) som vist (fig. E). Hvis skiven har en løftet midterdel (13), skal man sørge for, at midterdelen vender mod den indre flange.
- ◆ Sørg for, at skiven er korrekt placeret på den indre flange.
- ◆ Sæt den ydre flange (14) på spindelen. Ved montering af en slibeskive skal den løftede midterdel af den ydre flange vende mod skiven (A i fig. F). Ved montering af en skæreskive skal den løftede midterdel af den ydre flange vende væk fra skiven (B i fig. F).
- ◆ Hold spindellåsen (3) trykket ind, og stram den ydre flange ved hjælp af skruenøglen med to tappe (15) (fig. A og G). Sørg for, at den ydre flange er monteret korrekt for den type skive der bruges, og at skiven er klemt godt fast.

## Demontering

- ◆ Hold spindellåsen (3) trykket ind, og løs den ydre flange (14) ved hjælp af skruenøglen med to tappe (15) (fig. A og G).
- ◆ Fjern den ydre flange (14) og skiven (5).

## Montering og demontering af sliberondeller (fig. A, H & I)

En støtterondel er nødvendig ved slibning. Støtterondellen fås hos Black & Decker-forhandleren som tilbehør.

## Montering

- ◆ Demonter beskyttelseskærmen som beskrevet ovenfor.
- ◆ Placer den indre flange (12) på spindelen (9) som vist (fig. H). Sørg for, at flangen er korrekt placeret på den flade side af spindelen.
- ◆ Placer støtterondellen (16) på spindelen.
- ◆ Placer sliberondellen (17) på støtterondellen.
- ◆ Placer den ydre flange (14) på spindelen med den løftede midterdel vendt væk fra rondellen.
- ◆ Hold spindellåsen (3) trykket ind, og stram den ydre flange ved hjælp af skruenøglen med to tappe (15) (fig. A og I). Sørg for, at den ydre flange er monteret korrekt, og at rondellen er klemt godt fast.

## Demontering

- ◆ Hold spindellåsen (3) trykket ind, og løs den ydre flange (14) ved hjælp af skruenøglen med to tappe (15) (fig. A og I).
- ◆ Fjern den ydre flange (14), sliberondellen (17) og støtterondellen (15).



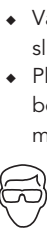
Efter slibning med rondeller skal beskyttelseskærmen monteres på værktøjet igen.

## ANVENDELSE



Lad maskinen arbejde i eget tempo. Det forhindrer den i at blive overbelastet.

- ◆ Arbejd forsigtigt med kablet for at undgå at komme til at klippe det over.



Det anbefales at bære sikkerhedsbriller, når man arbejder med dette værktøj.

## Start og stop (fig. J)

- ◆ Tænd værktøjet ved at skyde afbryderen (1) fremad. Bemærk at maskinen fortsætter med at køre, når du slipper kontakten.
- ◆ Sluk værktøjet ved at trykke på den bageste del af afbryderen.

## Gode råd til optimalt brug

- ◆ Hold fast på værktøjet med den ene hånd på sidehåndtaget og den anden omkring motorhuset (fig. K).
- ◆ Ved slibning skal man altid holde en vinkel på ca. 15° mellem skiven og arbejdsemnets overflade (fig. L).

## VEDLIGEHOLDELSE

Deres Black & Decker værktøj er designet til at være i drift gennem en længere periode med en minimal vedligeholdelse. Forsat tilfredsstillende drift afhænger af en korrekt behandling af værktøjet samt regelmæssig rengøring.



Før vedligeholdelse eller rengøring af værktøjet, skal det være slukket og taget ud af stikkontakten.

- ◆ Man skal regelmæssigt rengøre værktøjets ventilationshuller med en blød børste eller en tør klud.
- ◆ Man skal regelmæssigt rengøre motorhuset med en fugtig klud. Man må ikke benytte slibemidler eller opløsningsmidler.

## MILJØ



Når dit værktøj er udtjent, beskyt da naturen ved ikke at smide det ud sammen med det almindelige affald.

Aflever det til de opsamlingssteder, der findes i din kommune eller der hvor du købte værktøjet.

Garantien gælder ikke hvis reparationer er udført af nogen anden end et autoriseret Black & Decker værksted.

### Tekniske data

		KG900	KG915
Spænding	V <sub>AC</sub>	230	230
Motoreffekt	W	900	900
Ubelastet hastighed	min <sup>-1</sup>	10.000	10.000
Skivediameter	mm	100	115
Skivens hul	mm	16	22
Spindelstørrelse		M10	M14
Vægt	kg	2,1	2,1

### RESERVEDELE / REPARATIONER

Reserve dele kan købes hos autoriserede Black & Decker serviceværksteder, som giver forslag til omkostninger og reparerer vore produkter. Oversigt over vore autoriserede værksteder findes på internettet på vor hjemmeside [www.blackdecker.dk](http://www.blackdecker.dk) samt [www.2helpU.com](http://www.2helpU.com).

### GARANTI

Black & Decker garanterer, at produktet er fri for materielle skader og/eller fabrikations- fejl ved levering til kunden. Garantien er et tillæg til konsumentens lovlige rettigheder og påvirker ikke disse. Garantien gælder indenfor medlemsstaterne af den Europæiske Union og i det Europæiske Frihandelsområde.

Hvis et Black & Decker produkt går i stykker på grund af materiel skade og/eller fabrikationsfejl eller på anden måde ikke fungerer i overensstemmelse med specifikationen, inden for 24 måneder fra købsdatoen, påtager Black & Decker sig at reparere eller ombytte produktet med mindst muligt besvær for kunden.

Garantien gælder ikke for fejl og mangler, der er sket i forbindelse med:

- ◆ normal slitage
- ◆ uheldige følger efter unormal anvendelse af værktøjet
- ◆ overbelastning, hærværk eller overdrevent intensivt brug af værktøjet
- ◆ ulykkeshændelse

For at udnytte garantien skal produktet og købskvitteringen indleveres til forhandleren eller til et autoriseret værksted, senest 2 måneder efter at fejlen opdages. For information om nærmeste autoriserede værksted: kontakt det lokale Black & Decker kontor på den adresse som er opgivet i brugsanvisningen. Liste over alle autoriserede Black & Decker serviceværksteder samt servicevilkår er tilgængelig på internettet, på adressen [www.2helpU.com](http://www.2helpU.com).

### ANDET GØR-DET-SELV VÆRKTØJ

Black & Decker har en lang række kvalitetsprodukter indenfor elværktøj og havemaskiner. Hvis De ønsker yderligere information omkring vore produkter, bedes De kontakte vore Service- og informationscentre (se adressesiden sidst i denne brugervejledning), eller kontakte Deres lokale Black & Decker forhandler.

Boremaskiner  
 Batteridrevne skruetrækkere  
 Batteridrevne boremaskiner/skruetrækkere  
 Slibemaskiner  
 Stiksåve  
 Rundsåve  
 Kap/geringssåve  
 Vinkelslibere  
 Høvle  
 Fræsere  
 Batteridrevet multiværktøj  
 Multiværktøj med ledning  
 Varmluftpistoler  
 Arbejdsbænke

Vi har også en lang række tilbehør til ovenfor nævnte værktøj.

En del af produkterne findes ikke i alle lande.

# KULMAHIOMAKONE KG900/KG915

Kiitos, että olet valinnut Black & Decker -koneen. Toivomme, että nautit koneen käytöstä monen vuoden ajan.

## CE-VAATIMUSTENMUKAISUUSVAKUUTUS



### KG900/KG915

Black & Decker vakuuttaa, että nämä työkalut ovat 98/37/EC, 89/336/EEC, 73/23/EEC, EN 50144, EN 55014, EN 61000 mukaiset.

Melutaso, mitattu EN 50144:n mukaisesti:

$L_{pA}$ (äänenpaine)	dB(A)	89,9
$L_{WA}$ (ääniteho)	dB(A)	102,9



Käytä kuulosuojaimia, jos melutaso ylittää 85 dB(A).

Tärinätaajuuden painotettu geometrinen keskiarvo EN 50144 mukaisesti:

< 2,5 m/s<sup>2</sup>

Kevin Hewitt  
Director of Consumer Engineering  
Spennymoor, County Durham DL16 6JG,  
United Kingdom

## KÄYTTÖTARKOITUS

Black & Deckerin kulmahiomakone on tarkoitettu metallin ja kiven leikkaamiseen käyttäen sopivaa katkaisu- tai hiomalaikkaa. Se soveltuu myös hiomiseen, jolloin käytetään tukilaippaa ja smirgelilaikkaa.

Kone on tarkoitettu kotikäyttöön.

## TURVALLISUUSOHJEET

### Merkit

Tässä käyttöohjeessa käytetään seuraavia merkkejä:



Osoittaa henkilövahingon, hengenmenetyksen tai konevaurion vaaraa, mikäli käyttöohjeen neuvoja ei noudateta.



Osoittaa sähköiskun vaaraa.



Lue käyttöohje huolellisesti ennen koneen käyttöönottoa.



Tulenvaara.

### Tutustu koneeseen



- ♦ **Varoitus!** Sähkötyökaluja käytettäessä on aina noudatettava mm. seuraavia turvallisuusohjeita, jotta tulipalojen, sähköiskujen, henkilövahinkojen ja materiaalivaurioiden riski olisi mahdollisimman pieni.
- ♦ Varmista, että osaat sammuttaa koneen, ennen kuin käynnistät sen.
- ♦ Säilytä käyttöohje kaikkien koneen käyttäjien ulottuvilla.



## Yleistä

### 1. Pidä työskentelyalue siistinä

Poista roskat ja mahdolliset esteet työskentelyalueelta vältyksesi vaurioilta.

### 2. Ajattele työskentelyalueen vaikutusta työhösi

Älä altista sähkötyökaluja sateelle äläkä käytä niitä kosteissa tai märissä paikoissa. Järjestä työskentelyalueelle hyvä valaistus. Älä käytä konetta paikassa, jossa on tulipalo- tai räjähdysvaara, esim. palavien nesteiden tai kaasujen läheisyydessä.

### 3. Työskentele lasten ulottumattomissa

Älä anna lasten, vieraiden tai eläinten tulla lähelle työskentelyaluetta tai koskea koneeseen tai sähköjohtoon.

### 4. Pukeudu asianmukaisesti

Älä käytä liian väljiä vaatteita tai koruja. Ne voivat tarttua liikkuviin osiin. Käytä ulkona työskennellessäsi kumihansikkaita ja liukumattomia kenkiä. Jos sinulla on pitkät hiukset, käytä hiusverkkoa.

### 5. Suojavaatetus

Käytä suojalaseja. Käytä kasvosuojaa, jos työskennellessä syntyy pölyä tai hiukkasia. Käytä kuulosuojaimia, jos melutaso tuntuu epämukavalta.

### 6. Suojaudu sähköiskuilta

Vältä kosketusta maadoitettuihin pintoihin (esim. putket, lämpöpatterit, liedet ja jääkaapit). Sähköistä turvallisuutta voidaan parantaa käyttämällä erittäin herkkää (30 mA / 30 mS) vikavirtasuojaa.

### 7. Älä kurottele

Seiso aina tukevasti ja tasapainossa.

### 8. Ole tarkkaavainen

Keskity työhösi. Käytä tervettä järkeä. Älä käytä sähkötyökalua, kun olet väsynyt.

### 9. Kiinnitä työstökappale kunnolla

Käytä ruuvipuristinta tai -kappaletta, jotta työstökappale pysyy kunnolla kiinni. Näin saat molemmat kädet vapaaksi työhön.

### 10. Liitä pölynpoistolaite

Jos koneessa on liitäntä pölynpoisto- ja pölynkeräyslaitteistolle tulee sellainen kiinnittää ja käyttää oikein. HUOM! Liitä koneeseen ainoastaan teollisuuspölynimuri.

### 11. Poista avaimet

Poista säätöavaimet ja asennustyökalut koneesta ennen kuin käynnistät sen.

### 12. Jatkojohdot

Tarkista jatkojohto ennen käyttöä, ja vaihda vaurioitunut johto uuteen. Käytettäessä konetta ulkona tulee käyttää vain ulkokäyttöön soveltuvia jatkojohtoja.

### 13. Käytä oikeaa konetta

Käytä konetta ainoastaan sellaiseen työhön, johon se on tarkoitettu. Käytä vain käyttöohjeessa ja tuotekuvastossa suositeltuja tarvikkeita ja lisälaitteita. Jonkin muun laitteen käyttö voi aiheuttaa onnettomuuden.

Älä ylikuormita konetta.

**Varoitus!** Ohjeesta poikkeava käyttö voi aiheuttaa onnettomuuden.

### 14. Tarkista, että kone on kunnossa

Tarkista ennen käyttöä, ettei kone tai sähköjohto ole vaurioitunut. Tarkista, etteivät liikkuvat ja muut osat sekä suoja ole viallisia, ja että kaikki muut käyttöön mahdollisesti vaikuttavat tekijät ovat kunnossa. Varmista, että kone toimii oikein ja täyttää tehtävänsä. Älä käytä konetta, jos jokin sen osista on viallinen tai se ei käynnisty ja pysähdy virrankatkaisijasta. Viallinen osa tulee korjata tai vaihtaa valtuutetussa Black & Deckerin huoltoliikkeessä. Älä koskaan yritä korjata konetta itse.

### 15. Irrota kone virtalähteestä

Irrota kone virtalähteestä, kun konetta ei käytetä, ennen minkään koneen osan, tarvikkeen tai lisävarusteen vaihtamista, sekä ennen huoltoa.

### 16. Vältä tahatonta käynnistämistä

Älä koskaan kanno konetta sormet kiinni virrankatkaisijassa.

Varmista, että kone on pois päältä, ennen kuin kytket sen virtalähteeseen.

### 17. Huolehdi johdon kunnosta

Älä koskaan kanno konetta johdosta äläkä irrota pistoketta virtalähteestä vetämällä johdosta.

Suojaa johto kuumuudelta, öljyltä ja teräviltä reunoilta.

### 18. Säilytä konetta oikein

Kun konetta ei käytetä, säilytä sitä kuivassa, lukitussa paikassa tai korkealla lasten ulottumattomissa.

## 19. Hoida työkalua huolellisesti

Pidä työkalu puhtaana ja käytä teräviä teriä tehokasta ja turvallista työskentelyä varten. Noudata huollosta ja tarvikkeiden vaihdosta annettuja ohjeita. Pidä virrankatkaisija ja kädensijat kuivina ja puhtaina öljystä ja rasvasta.

## 20. Korjaukset

Tämä kone täyttää voimassa olevat turvallisuusvaatimukset. Korjauksia saa tehdä vain Black & Deckerin valtuuttama huoltoliike, joka käyttää alkuperäisosa. Muussa tapauksessa käyttäjä saattaa joutua vaaratilanteeseen.

### Kulmahiomakoneiden lisäturvaohjeet



Käytä suojalaseja konetta käyttäessäsi.



Käytä kuulosuojaimia konetta käyttäessäsi.



Käytä työhanskaita konetta käyttäessäsi.



Älä leikkaa tai hio yli kevytmetallia, jonka magnesiumpitoisuus ylittää 80%, koska tämän tyyppinen metalli on tulenarkaa.

- ◆ Käytä vain tässä käyttöohjeessa suositeltuja hioma- ja katkaisulaikkoja.
- ◆ Varmistu siitä, että hioma- tai katkaisulaikan suurin mahdollinen nopeus ylittää koneen kuormittamattoman nopeuden.
- ◆ Älä leikkaa työstökappaleita, jotka vaativat suurempaa leikkuusvyvyttä kuin katkaisulaikalla on.
- ◆ Älä koskaan käytä konetta, jos suoja ei ole paikallaan, paitsi hiomiseen hiomapaperilla.
- ◆ Älä kohdisti hioma- tai katkaisulaikkaan sivuttaista painetta.
- ◆ Käytä tätä työkalua vain käsityökaluna.

### Hiominen

- ◆ Käytä kasvusoajaa hiottaessa.
- ◆ Poista pöly huolellisesti hiomisen jälkeen.

- ◆ Ole erityisen varovainen hioessasi maalipintoja, jotka voivat sisältää lyijyä, tai puu- tai metallipintoja, jotka voivat erittää myrkyllistä hiomapölyä.
  - Käytä erityismuotoilua, lyijypitoisen maalin pölyltä ja höyryiltä suojaavaa kasvusoajusta. Varmista, että sekä työalueella olevat että sen läheisyyteen saapuvat ihmiset käyttävät suojaa.
  - Älä anna lasten tai raskaana olevien naisten olla työalueella.
  - Älä syö, juo tai tupakoi työalueella.
  - Hävitä pöly ja muu jäte ympäristöystävällisesti.

### SÄHKÖINEN TURVALLISUUS

Sähkömoottori on suunniteltu käytettäväksi vain yhdellä jännitteellä. Tarkista aina, että virtalähde vastaa arvokilvessä ilmoitettua jännitettä.



Kone on kaksoiseristetty EN 50144:n mukaisesti; siksi ei tarvita erillistä maadoitusta.

### Jatkojohdon käyttö

Käytä hyväksyttyä jatkojohtoa, joka sopii työkalun virran käyttöön (katso tekniset tiedot).

Tarkista jatkojohto ennen käyttöä vaurioiden, vanhenemisen tai kulumisen varalta.

Vaihda vaurioitunut tai viallinen jatkojohto.

Jos käytät jatkojohtokelaa, kelaat johto aina täysin auki. Käytettäessä jatkojohtoa, joka ei vastaa koneen tehoa tai joka on viallinen, voi aiheutua tulipalo tai sähköisku.

### PAKKAUKSEN SISÄLTÖ

Pakkaus sisältää:

- 1 Kulmahiomakone
- 1 Sivukahva
- 1 Hioma- tai katkaisulaikka
- 1 Laippasarja
- 1 Haarukka-avain
- 1 Käyttöohje

- ◆ Pura kaikki osat pakkauksesta varovaisesti.
- ◆ Pakkauksessa voi olla lisäksi muita tarvikkeita riippuen koneen tuotenumeron perässä olevasta kirjaimesta.

**YLEISKUVAUS (kuva A)**

1. Virrankatkaisija
2. Sivukahva
3. Karalukko
4. Suoja
5. Hioma- tai katkaisulaikka

**KOKOAMINEN**

Ennen kuin ryhdyt mihinkään seuraavista toimista, varmista siitä, että työkalu on sammutettu eikä sitä ole liitetty virtalähteeseen ja, että laikka on pysähtynyt.

**Suojan irrottaminen ja asentaminen takaisin**

Älä koskaan käytä konetta, jos suoja ei ole paikallaan, paitsi hiomiseen hiomapaperilla.

**Irrottaminen (kuva B)**

Tässä työkalussa on suojus. Suoja voidaan poistaa alla kuvatulla tavalla hiomista varten.

- ◆ Irrota ulkolaippa, laikka ja sisälaippa alla kuvatulla tavalla.
- ◆ Poista ruuvit (8) käyttämällä ruuvitalttaa.
- ◆ Irrota laippa (7), suojus (4) ja jousivoimainen aluslevy (8). Säilytä nämä osat huolellisesti.

**Asentaminen takaisin (kuva C)**

- ◆ Aseta kone pöydälle siten, että kara (9) osoittaa ylöspäin.
- ◆ Aseta jousivoimainen aluslevy (8) karan päälle ja asemoi se olakkeeseen (10).
- ◆ Aseta suoja koneeseen kuvan osoittamalla tavalla.
- ◆ Aseta laippa (11) karan päälle siten, että ulostulevat pisteet ovat suojusta kohden. Varmista, että laipassa olevat reiät kohdistuvat ruuvireikien kanssa.
- ◆ Kiinnitä laippa ruuveilla (6). Varmista, että ruuvit on täysin kiristetty ja, että suojusta voidaan pyörittää.

**Sivukahvan kiinnittäminen (kuva A)**

Käytä sivukahvaa aina.

- ◆ Ruuvaa sivukahva (2) johonkin työkalun asennusreikään.

**Hioma- tai katkaisulaikkojen kiinnitys ja poisto (kuvat A, D - G)**

Käytä aina oikean tyyppistä laikkaa.

Käytä aina laikkoja, joiden halkaisija ja sisäläpimitta ovat oikeat (katso teknisiä tietoja). Hiomalaikkojen suurin mahdollinen paksuus on 6 mm, katkaisulaikkojen 3,5 mm.

**Kiinnitys**

- ◆ Jos suoja on poistettu, asenna se yllä kuvatulla tavalla.
- ◆ Pane sisempi laippa (12) karaan (9) kuvan D osoittamalla tavalla. Varmista, että laippa on oikealla paikalla karan litteällä puolella.
- ◆ Pane laikka (5) karaan (9) kuvan E osoittamalla tavalla. Jos laikassa on kohotettu keskusta (13), varmista, että se osoittaa sisempää laippaa kohti.
- ◆ Varmista, että laikka asettuu paikalleen sisemmän laipan päälle.
- ◆ Pane ulompi laippa (14) karaan. Kun kiinnität hiomalaikkaa, ulomman laipan kohotetun keskustan pitää osoittaa laikkaan päin (A kuvassa F). Kun kiinnität katkaisulaikkaa, ulomman laipan kohotetun keskustan pitää osoittaa pois päin laikasta (B kuvassa F).
- ◆ Pidä karalukko (3) painettuna alas ja kiristä ulompi laippa haarukka-avaimella (15) (kuvat A ja G). Varmista, että ulkolaippa on asennettu oikein käytettävään laikkaan. Varmista myös, että laikka on kiinnitetty tiukasti.

**Poisto**

- ◆ Pidä karalukko (3) painettuna alas ja löysää ulompaa laippaa (14) haarukka-avaimella (15) (kuvat A ja G).
- ◆ Poista ulompi laippa (14) ja laikka (5).

**Smirgelilaikan kiinnitys ja poisto (kuvat A, H & I)**

Hiomiseen tarvitaan tukilaippaa. Tukilaippoja on saatavana Black & Decker -kauppiailta.

## Kiinnitys

- ◆ Poista suoja yllä kuvatulla tavalla.
- ◆ Pane sisempi laippa (12) karaan (9) kuvan H osoittamalla tavalla. Varmista, että laippa on oikealla paikalla karan litteällä puolella.
- ◆ Pane tukilaippa (16) karaan.
- ◆ Kiinnitä smirgelilaikka (17) tukilaippaan.
- ◆ Pane ulompi laippa (14) karaan siten, että sen kohotettu keskusta osoittaa pois päin laikasta.
- ◆ Pidä karalukko (3) painettuna alas ja kiristä ulompi laippa haarukka-avaimella (15) (kuvat A ja I). Varmista, että ulkolaippa on asennettu oikein ja että laikka on kiinnitetty tiukasti.

## Poisto

- ◆ Pidä karalukko (3) painettuna alas ja löysää ulompaa laippaa (14) haarukka-avaimella (15) (kuvat A ja I).
- ◆ Poista ulompi laippa (14), smirgelilaikka (17) ja tukilaippa (16).



Kun olet lopettanut hiomisen, pane suoja takaisin koneeseen.

## KÄYTTÖ



Anna koneen käydä omaan tahtiinsa. Älä ylikuormita sitä.

- ◆ Käsittele johtoa huolellisesti, jottet sahaa sitä vahingossa.
- ◆ Varaudu kipinäsuihkuun hioma- tai katkaisulaikan osuessa työstettävään kappaleeseen.
- ◆ Aseta kone aina sillä tavalla, että sen suoja tarjoaa parhaan suojan hioma- tai katkaisulaikoilta.



Käytä suojalaseja konetta käyttäessäsi.

## Käynnistys ja pysäytys (kuva J)

- ◆ Käynnistä kone työntämällä virrankatkaisijaa (1) eteenpäin. Muista, että työkalu jatkaa pyörimistä vielä kytkimen vapauttamisen jälkeenkin.
- ◆ Sammuta kone painamalla virrankatkaisimen takaosaa.

## Vinkkejä parhaimman tuloksen saamiseksi

- ◆ Pidä toisella kädellä tukevasti kiinni sivukahvasta ja toisella moottorin kotelosta (kuva K).
- ◆ Kun hiot, huolehdi siitä, että laikan ja työstettävän kappaleen pinnan välinen kulma aina noin 15° (kuva L).

## HUOLTO

Black & Deckerin kone on suunniteltu toimimaan mahdollisimman pitkän aikaa mahdollisimman vähällä huollolla. Oikealla huollolla ja säännöllisellä puhdistuksella kone säilyttää suorituskykynsä.



Ennen huoltoa ja puhdistusta tulee koneen olla pois päältä ja pistokkeen irti virtalähteestä.

- ◆ Puhdista koneen ilma-aukot säännöllisesti pehmeällä harjalla tai kuivalla rievulla.
- ◆ Puhdista koneen kuori säännöllisesti kostealla rievulla. Älä koskaan käytä puhdistamiseen liuotainaineita tai syövyttäviä puhdistusaineita.

## YMPÄRISTÖ



Kun koneesi on käytetty loppuun, älä heitä sitä tavallisten roskien mukana pois, vaan vie se paikkakuntasi kierrätyskeskukseen tai jätä valtuutettuun Black & Deckerin huoltoliikkeeseen.

## Tekniset tiedot

	KG900	KG915
Jännite	V <sub>AC</sub> 230	230
Ottoteho	W 900	900
Kuormittamaton nopeus	min <sup>-1</sup> 10.000	10.000
Laikan halkaisija	mm 100	115
Laikan sisäläpimitta	mm 16	22
Karan koko	M10	M14
Paino	kg 2,1	2,1

## KORJAUKSET / VARAOSAT

Mikäli koneeseen tulee vikaa, jätä se aina Black & Deckerin valtuuttamaan huoltoliikkeeseen korjattavaksi (tiedot löytyvät uusimmasta tuoteluettelostamme tai ottamalla yhteyttä Black & Decker Oy:hyn). Varaosia myyvät valtuutetut Black & Deckerin huoltoliikkeet, ja heiltä voi myös pyytää kustannusarvion koneen korjauksesta.

Tiedot valtuutetuista huoltoliikkeistä löytyvät myös internetistä osoitteesta [www.2helpU.com](http://www.2helpU.com) sekä kotisivuiltamme [www.blackdecker.fi](http://www.blackdecker.fi).

## TAKUU

Black & Decker Oy takaa, ettei koneessa ollut materiaali- ja/tai valmistusvikaa silloin, kun se toimitettiin ostajalle. Takuu on lisäksi kuluttajan laillisiin oikeuksiin eikä vaikuta niihin. Takuu on voimassa Euroopan Unionin jäsenmaissa ja Euroopan vapaakauppa-alueella (EFTA).

Mikäli Black & Decker -kone hajoaa materiaali- ja/ tai valmistusvirheen tai teknisten tietojen epätarkkuuden vuoksi 24 kk:n kuluessa ostopäivästä, Black & Decker korjaa koneen ilman kustannuksia ostajalle tai vaihtaa sen uuteen Black & Decker Oy:n valinnan mukaan.

Takuu ei kata vikoja, jotka johtuvat koneen

- ◆ normaalista kulumisesta
- ◆ ylikuormituksesta, virheellisestä käytöstä tai hoidosta
- ◆ vahingoittamisesta vieraalla esineellä tai aineella tai onnettomuustapauksessa.

Takuu ei ole voimassa, mikäli konetta on korjannut joku muu kuin Black & Deckerin valtuuttama huoltoliike.

Edellytyksenä takuun saamiselle on, että ostaja jättää koneen ja ostokuitin jälleenmyyjälle tai valtuutetulle huoltoliikkeelle viimeistään 2 kuukauden kuluessa vian ilmenemisestä.

Tiedot valtuutetuista huoltoliikkeistä saa ottamalla yhteyttä Black & Decker Oy:hyn sekä internetistä osoitteesta [www.2helpU.com](http://www.2helpU.com), jossa on myös takuuehdot.

## MUITA TYÖKALUJA

Black & Deckerillä on laaja valikoima työkaluja, jotka helpottavat nikkarointitöitä. Lisätietoja alla olevista tuotteista saat Black & Deckerin jälleenmyyjältä tai kotisivuiltamme [www.blackdecker.fi](http://www.blackdecker.fi).

Porakoneet  
 Akkukäyttöiset ruuvinvääntimet  
 Akkukäyttöiset porakoneet/ruuvinvääntimet  
 Hiomakoneet  
 Pistosahat  
 Pyörösahat  
 Katkaisu- ja jiirisahat  
 Hiomakoneet  
 Höylät  
 Yläjyrsimet  
 Monitoimityökalut  
 Kuumailmapistoolit  
 Yleistyöpenkit

Black & Deckerillä on myös laaja valikoima tarvikkeita yllä oleville työkaluille.

# ΓΩΝΙΑΚΟΣ ΤΡΟΧΟΣ KG900/KG915

## ΣΥΓΧΑΡΗΤΗΡΙΑ!

Έχετε επιλέξει ένα εργαλείο της Black & Decker. Στόχος μας είναι να σας προσφέρουμε εργαλεία ποιότητας σε προσιτές τιμές. Ευελπιστούμε ότι θα απολαύσετε τη χρήση αυτού του εργαλείου για πολλά χρόνια.

## ΔΗΛΩΣΗ ΣΥΜΜΟΡΦΩΣΗΣ ΕΚ



### KG900/KG915

Black & Decker δηλώνει ότι αυτά τα ηλεκτρικά εργαλεία σχεδιάστηκαν σύμφωνα με:  
98/37/ΕΟΚ, 89/336/ΕΟΚ, 73/23/ΕΟΚ,  
EN 50144, EN 55014, EN 61000

Ανώτατο όριο ηχητικής πίεσης, μέτρηση κατά EN 50144:

$L_{pA}$ (ηχητική πίεση)	dB(A)	89,9
$L_{WA}$ (ακουστική δύναμη)	dB(A)	102,9



Λάβετε τα ενδεδειγμένα μέτρα προστασίας σε περίπτωση που η ακουστική πίεση υπερβαίνει τα 85 dB(A).

Ο σταθμισμένος τετραγωνικός μέσος όρος επιτάχυνσης κατά EN 50144:

< 2,5 m/s<sup>2</sup>

Kevin Hewitt

Διευθυντής μηχανολογίας  
Spennymoor, County Durham DL16 6JG,  
United Kingdom

## ΕΝΔΕΔΕΙΓΜΕΝΗ ΧΡΗΣΗ

Ο γωνιακός τροχός της Black & Decker έχει σχεδιαστεί για την κοπή μετάλλων και λιθοδομών με χρήση του κατάλληλου τύπου δίσκου κοπής ή τροχίσματος. Είναι επίσης κατάλληλος για λείανση με χρήση ενισχυτικού παρεμβύσματος και δίσκου λείανσης.

Αυτό το εργαλείο προορίζεται μόνο για ερασιτεχνική χρήση.

## ΟΔΗΓΙΕΣ ΑΣΦΑΛΕΙΑΣ

### Σύμβολα ασφαλείας

Στις παρούσες οδηγίες χρησιμοποιούνται τα ακόλουθα σύμβολα:



Συμβολίζει κίνδυνο τραυματισμού ή θανάτου ή βλάβης του εργαλείου σε περίπτωση που δεν τηρηθούν οι οδηγίες χρήσεως.



Συμβολίζει ηλεκτρική τάση.



Πριν χρησιμοποιήσετε το εργαλείο διαβάστε το παρόν εγχειρίδιο προσεκτικά.



Κίνδυνος πυρκαγιάς.

### Γνωρίζετε το εργαλείο



- ♦ **Προσοχή!** Κατά τη χρήση εργαλείων που τροφοδοτούνται με ηλεκτρικό ρεύμα, θα πρέπει πάντα να λαμβάνονται οι βασικές προφυλάξεις ασφαλείας, για τον περιορισμό του κινδύνου πυρκαγιάς, ηλεκτροπληξίας, σωματικών βλαβών και υλικών ζημιών.
- ♦ Πριν χρησιμοποιήσετε το εργαλείο διαβάστε προσεκτικά τις παρακάτω οδηγίες.

- ♦ Πριν χρησιμοποιήσετε το εργαλείο αυτό, βεβαιωθείτε ότι γνωρίζετε πώς να οβήσετε το εργαλείο σε περίπτωση έκτακτης ανάγκης.
- ♦ Φυλάξτε τις οδηγίες καλά.

## Γενικά

### 1. Διατηρείτε καθαρό το χώρο εργασίας

Ακατάστατοι χώροι και πάγκοι εγκυμονούν κίνδυνο τραυματισμού.

### 2. Λάβετε υπ' όψη τις επιδράσεις του περιβάλλοντος

Μην εκθέτετε ηλεκτρικά εργαλεία σε υγρασία. Φροντίστε η περιοχή εργασίας να είναι καλά φωτισμένη. Μη χρησιμοποιείτε το εργαλείο αν υπάρχει κίνδυνος να προκληθεί πυρκαγιά ή έκρηξη, π.χ. κοντά σε εύφλεκτα υγρά και αέρια.

### 3. Κρατάτε τα παιδιά σε απόσταση

Μην επιτρέπετε σε παιδιά, επισκέπτες ή ζώα να πλησιάζουν στο χώρο εργασίας ή να αγγίζουν το εργαλείο ή το καλώδιο τροφοδοσίας.

### 4. Φοράτε τα κατάλληλα ρούχα εργασίας

Μη φοράτε φαρδιά ρούχα ή κοσμήματα. Υπάρχει πιθανότητα να πιαστούν σε κινούμενα μέρη μηχανών. Για υπαίθριες εργασίες συνιστώνται λαστιχένια γάντια και υποδήματα που δε γλιστρούν. Εάν έχετε μακριά μαλλιά φοράτε προστατευτικό διχτάκι.

### 5. Ατομική προστασία

Φορέστε προστατευτικά γυαλιά. Φορέστε μάσκα προσώπου ή προστασίας από τη σκόνη, στις περιπτώσεις που η εργασία ενδέχεται να προκαλέσει την παραγωγή σκόνης ή αιωρούμενων σωματιδίων. Φοράτε ωτασπίδες σε περιπτώσεις που η στάθμη του θορύβου σας προκαλεί δυσφορία.

### 6. Λάβετε τις κατάλληλες προφυλάξεις για το ενδεχόμενο ηλεκτροπληξίας

Αποφύγετε τη σωματική επαφή με γειωμένες ή συνδεδεμένες με το έδαφος επιφάνειες (π.χ. σωλήνες, ψυγεία, βραστήρες και ψυγεία). Η ηλεκτρική ασφάλεια μπορεί να βελτιωθεί αν χρησιμοποιηθεί συσκευή παραμένοντος ρεύματος (RCD) υψηλής ευαισθησίας (30 mA / 30 mS).

### 7. Μη σκύβετε πάρα πολύ

Φροντίστε πάντοτε να έχετε την κατάλληλη στάση και να διατηρείτε την ισορροπία σας.

### 8. Να είστε πάντα προσεκτικοί

Παρακολουθείτε την εργασία σας. Ενεργείτε λογικά. Μη χρησιμοποιείτε το εργαλείο όταν είστε κουρασμένος.

### 9. Στηρίξτε με ασφαλή τρόπο το αντικείμενο στο οποίο εργάζεστε

Χρησιμοποιείτε σφιγκτήρες ή μέγγενη για το σκοπό αυτό. Η μέθοδος αυτή είναι ασφαλέστερη και ελευθερώνει και τα δυό σας χέρια για το χειρισμό του εργαλείου.

### 10. Συνδέστε τη συσκευή αφαίρεσης σκόνης

Εάν παρέχονται συσκευές για τη σύνδεση συσκευών αφαίρεσης και συλλογής σκόνης, βεβαιωθείτε ότι η σύνδεση και η χρήση τους γίνεται με τον ενδεδειγμένο τρόπο.

### 11. Απομακρύνετε από το μηχανήμα τα κλειδιά που χρησιμοποιείτε για τη ρύθμισή του

Πριν βάλετε σε λειτουργία το εργαλείο, βεβαιωθείτε πάντα ότι έχετε βγάλει από αυτό τα κλειδιά για τη ρύθμισή του.

### 12. Καλώδια επιμήκυνσης

Πριν τη χρήση, επιθεωρήστε το καλώδιο επιμήκυνσης και αντικαταστήστε το, αν έχει φθαρεί. Εάν χρησιμοποιείτε τη συσκευή σε υπαίθριο χώρο, χρησιμοποιείτε μόνο καλώδια επιμήκυνσης κατάλληλα για χρήση σε υπαίθριο χώρο.

### 13. Χρησιμοποιείτε το σωστό εργαλείο

Η ενδεδειγμένη χρήση αναφέρεται σε αυτές τις οδηγίες χρήσεως. Μη χρησιμοποιείτε εργαλεία χαμηλής ισχύος ή προσθήκες για βαριές εργασίες. Το εργαλείο σας θα λειτουργήσει επιτυχέστερα και ασφαλέστερα εάν χρησιμοποιηθεί σύμφωνα με της προδιαγραφές του. Μη ζορίζετε το εργαλείο.

**Προσοχή!** Τόσο η χρήση εξαρτημάτων ή προσθηκών όσο και η πραγματοποίηση εργασιών που δεν συνιστώνται στις οδηγίες αυτές εγκυμονεί κίνδυνο τραυματισμού.

### 14. Ελέγχετε εάν το εργαλείο σας έχει θλάδες

Πριν από τη χρήση, ελέγξτε προσεκτικά το εργαλείο και το καλώδιο τροφοδοσίας για τυχόν ζημιές.

Ελέγξτε για τυχόν κακή ευθυγράμμιση και εμπλοκή των κινούμενων μερών, για μέρη που έχουν σπάσει, για τυχόν ζημιές στους προφυλακτικές και τους διακόπτες, και γενικά κάθε είδους συνθήκες οι οποίες ενδέχεται να επηρεάσουν τη λειτουργία του εργαλείου. Βεβαιωθείτε ότι το εργαλείο λειτουργεί κανονικά και χρησιμοποιείται για το σκοπό για τον οποίο προορίζεται.

Μη χρησιμοποιείτε το εργαλείο αν κάποιο εξάρτημά του παρουσιάζει ελάττωμα. Μη χρησιμοποιείτε το εργαλείο, εάν ο διακόπτης δεν μπορεί να το θέσει εντός ή εκτός λειτουργίας. Φροντίστε για την επισκευή ή αντικατάσταση τυχόν ελαττωματικών εξαρτημάτων από εξουσιοδοτημένο κέντρο επισκευών. Ποτέ μην επιχειρήσετε να επισκευάσετε οι ίδιοι το εργαλείο.

#### 15. Βγάλτε το εργαλείο από την πρίζα

Βγάλτε το εργαλείο από την πρίζα όταν το εργαλείο δεν χρησιμοποιείται, προτού αλλάξετε οποιοδήποτε ανταλλακτικό, παρελκόμενο ή εξάρτημα του εργαλείου, και πριν από τη συντήρησή του.

#### 16. Αποφύγετε την τυχαία εκκίνηση του εργαλείου

Μη μεταφέρετε το εργαλείο έχοντας το δάκτυλό σας πάνω στο διακόπτη εκκίνησης. Όταν βάζετε την πρίζα, βεβαιωθείτε ότι ο διακόπτης του εργαλείου είναι κλειστός.

#### 17. Μην κακομεταχειρίζεστε το καλώδιο

Ποτέ μη μεταφέρετε το εργαλείο κρατώντας το από το καλώδιο και μην το τραβάτε από το καλώδιο για να το βγάλετε από την πρίζα. Φροντίστε το καλώδιο να παραμένει μακριά από τη θερμότητα, τα λάδια και από αιχμηρές ακμές.

#### 18. Φυλάγετε τα εργαλεία σας σε ασφαλές μέρος

Ηλεκτρικά εργαλεία που δεν χρησιμοποιούνται πρέπει να φυλάσσονται σε στεγνούς, κλειστούς χώρους ή σε μεγάλο ύψος, μακριά από παιδιά.

#### 19. Συντηρήστε προσεκτικά τα εργαλεία

Φροντίστε τα εργαλεία σας να είναι κοφτερά και καθαρά, ώστε να προσφέρουν υψηλή απόδοση και ασφάλεια κατά τη χρήση τους. Ακολουθήστε τις σχετικές οδηγίες σε ότι αφορά τη συντήρηση και την αλλαγή των εξαρτημάτων. Φροντίστε οι λαβές και οι διακόπτες να είναι στεγνοί, καθαροί και χωρίς λάδια ή γράσα.

#### 20. Επισκευές

Το εργαλείο αυτό συμμορφώνεται με τις σχετικές προϋποθέσεις ασφαλείας. Οι επισκευές θα πρέπει να γίνονται μόνο από ειδικευμένους τεχνικούς και με τη χρήση αποκλειστικά γνήσιων ανταλλακτικών, διαφορετικά υπάρχει το ενδεχόμενο σοβαρού κινδύνου για το χρήστη.

#### Συμπληρωματικές οδηγίες ασφαλείας για γωνιακούς τροχούς



Κατά τη χρήση αυτού του εργαλείου, να φοράτε προστατευτικά γυαλιά.



Κατά τη χρήση αυτού του εργαλείου, να φοράτε ωτοασπίδες.



Κατά τη χρήση αυτού του εργαλείου, να φοράτε γάντια.



Μην κόβετε ή τροχίζετε ελαφρά μέταλλα με περιεκτικότητα σε μαγνήσιο πάνω από 80% επειδή αυτός ο τύπος μετάλλου είναι εύφλεκτος.

- ◆ Να χρησιμοποιείτε αποκλειστικά τους δίσκους λείανσης και κοπής και τα υπόλοιπα εξαρτήματα που συστήνονται στο παρόν εγχειρίδιο.
- ◆ Βεβαιωθείτε ότι η μέγιστη ταχύτητα του δίσκου τροχίσματος ή κοπής είναι μεγαλύτερη από την ταχύτητα χωρίς φορτίο του εργαλείου.
- ◆ Μην κόβετε τεμάχια εργασίας που απαιτούν μέγιστο βάθος κοπής μεγαλύτερο από εκείνο του δίσκου κοπής.
- ◆ Ποτέ μη χρησιμοποιείτε το εργαλείο χωρίς το προστατευτικό κάλυμμα, εκτός από τις περιπτώσεις λείανσης.
- ◆ Μην ασκείτε περισσότερη πίεση στο εργαλείο τροχίσματος ή κοπής.
- ◆ Να χρησιμοποιείτε το εργαλείο μόνο ως εργαλείο χειρός.

#### Λείανση

- ◆ Κατά τη λείανση, φορέστε μια μάσκα προστασίας από τη σκόνη.
- ◆ Μετά τη λείανση, καθαρίστε καλά τη σκόνη.



- ◆ Να προσέχετε ιδιαίτερα κατά τη λείανση χρωμάτων, τα οποία ενδέχεται να έχουν ως βάση τον μόλυβδο ή κατά τη λείανση ορισμένων ειδών ξύλου και μετάλλου, τα οποία ενδέχεται να παράγουν τοξική σκόνη:
  - Φορέστε μάσκα σκόνης ειδικά σχεδιασμένη για προστασία έναντι της σκόνης και των αναθυμιάσεων από χρώματα με μόλυβδο και βεβαιωθείτε ότι τα άτομα που βρίσκονται, ή εισέρχονται, στο χώρο εργασίας είναι επίσης προστατευμένα.
  - Μην επιτρέπετε σε παιδιά ή εγκύους να εισέρχονται στο χώρο εργασίας.
  - Μην τρώτε, πίνετε ή καπνίζετε στο χώρο εργασίας.
  - Αφαιρέστε όλα τα σωματίδια της σκόνης και τα άλλα υπολείμματα.

### ΗΛΕΚΤΡΙΚΗ ΑΣΦΑΛΕΙΑ

Το ηλεκτρικό μοτέρ είναι σχεδιασμένο να λειτουργεί σε μία και μόνο τάση. Ελέγχετε πάντοτε αν η τάση τροφοδοσίας αντιστοιχεί σε αυτήν που αναγράφεται στην πλακέτα του εργαλείου.



Το εργαλείο φέρει διπλή μόνωση κατά EN 50144. Κατά συνέπεια δε χρειάζεται καλώδιο γείωσης.

### Χρήση καλωδίου επέκτασης

Χρησιμοποιήστε εγκεκριμένο καλώδιο επέκτασης κατάλληλο για την απορροφούμενη ηλεκτρική ισχύ αυτού του εργαλείου (δείτε τα τεχνικά στοιχεία). Η ελάχιστη διατομή του αγωγού είναι 1,5 mm<sup>2</sup>. Πριν από τη χρήση, επιθεωρήστε προσεκτικά το καλώδιο επιμήκυνσης για σημάδια ζημιάς, φθοράς και παλαιώσης. Αντικαταστήστε το καλώδιο επέκτασης αν είναι κατεστραμμένο ή ελαττωματικό. Όταν χρησιμοποιείτε καρούλι καλωδίου, πάντα ξετυλίγετε τελείως το καλώδιο. Η χρήση καλωδίου επιμήκυνσης που είναι ακατάλληλο για την απαιτούμενη ισχύ του εργαλείου ή που έχει καταστραφεί ή είναι ελαττωματικό μπορεί να αποτελέσει κίνδυνο πυρκαϊάς και ηλεκτροπληξίας.

### ΠΕΡΙΕΧΟΜΕΝΑ ΣΥΣΚΕΥΑΣΙΑΣ

Η συσκευασία περιέχει:

- 1 Γωνιακός τροχός
  - 1 Πλευρική λαβή
  - 1 Δίσκος τροχίσματος ή κοπή
  - 1 Φλάντζα
  - 1 Κλειδί με δύο πείρους
  - 1 Οδηγίες χρήσης
- ◆ Αφαιρέστε προσεκτικά από τη συσκευασία όλα τα κομμάτια.
  - ◆ Έχετε υπόψη σας ότι η συσκευασία περιλαμβάνει πρόσθετα εξαρτήματα, ανάλογα με το γράμμα που ακολουθεί τον κωδικό καταλόγου του εργαλείου σας.

### ΓΕΝΙΚΗ ΠΕΡΙΓΡΑΦΗ (εικ. Α)

1. Διακόπτης on/off
2. Πλευρική λαβή
3. Ασφάλεια ατράκτου
4. Προστατευτικό κάλυμμα
5. Δίσκος τροχίσματος ή κοπή

### ΣΥΝΑΡΜΟΛΟΓΗΣΗ



Πριν από οποιαδήποτε από τις παρακάτω διαδικασίες, βεβαιωθείτε ότι το εργαλείο είναι εκτός λειτουργίας και ότι δεν είναι στην πρίζα, καθώς και ότι ο δίσκος έχει σταματήσει.

### Αφαίρεση και επανατοποθέτηση του προστατευτικού καλύμματος



Ποτέ μη χρησιμοποιείτε το εργαλείο χωρίς το προστατευτικό κάλυμμα, εκτός από τις περιπτώσεις λείανσης.

### Αφαίρεση (εικ. Β)

Το εργαλείο διαθέτει προστατευτικό κάλυμμα. Για εργασίες λείανσης μόνο, αφαιρέστε το προστατευτικό κάλυμμα ως εξής.

- ◆ Αφαιρέστε την εξωτερική φλάντζα, τον δίσκο και την εσωτερική φλάντζα σύμφωνα με τις οδηγίες που ακολουθούν.
- ◆ Χρησιμοποιήστε κατσαβίδι για να αφαιρέσετε τις βίδες (6).

- ♦ Αφαιρέστε τη φλάντζα (7), το προστατευτικό κάλυμμα (4) και τη ροδέλα γκρόβερ (8). Φυλάξτε προσεκτικά τα εξαρτήματα που αφαιρέσατε.

## Επανατοποθέτηση (εικ. C)

- ♦ Τοποθετήστε το εργαλείο στον πάγκο, με την άτρακτο (9) προς τα επάνω.
- ♦ Τοποθετήστε τη ροδέλα γκρόβερ (8) στην άτρακτο και τοποθετήστε τη στο έρεισμα (10).
- ♦ Τοποθετήστε τον προφυλακτήρα στο εργαλείο, όπως φαίνεται στην εικόνα.
- ♦ Τοποθετήστε τη φλάντζα (11) στην άτρακτο με τις προεξέχουσες εγκοπές προς το προστατευτικό κάλυμμα. Βεβαιωθείτε ότι οι οπές της φλάντζας είναι ευθυγραμμισμένες με τις οπές στις βίδες.
- ♦ Στερεώστε τη φλάντζα με τις βίδες (6). Βεβαιωθείτε ότι οι βίδες είναι καλά σφιγμένες και ότι το προστατευτικό κάλυμμα μπορεί να περιστραφεί.

## Τοποθέτηση της πλευρικής λαβής (εικ. A)



Να χρησιμοποιείτε πάντα την πλευρική λαβή.

- ♦ Βιδώστε την πλευρική λαβή (2) σε μία από τις οπές τοποθέτησης του εργαλείου.

## Τοποθέτηση και αφαίρεση δίσκων τροχίσματος ή κοπής (εικ. A, D – G)



Να χρησιμοποιείτε πάντα τον σωστό τύπο δίσκου για κάθε χρήση.

Να χρησιμοποιείτε πάντα δίσκους με τη σωστή διάμετρο και το σωστό μήκος εσωτερικής διαμέτρου (βλ. τα τεχνικά δεδομένα). Το μέγιστο πάχος των δίσκων τροχίσματος είναι 6 mm και των δίσκων κοπής 3,5 mm.

## Τοποθέτηση

- ♦ Αν έχει αφαιρεθεί, τοποθετήστε το προστατευτικό κάλυμμα σύμφωνα με τις οδηγίες που προαναφέρθηκαν.
- ♦ Τοποθετήστε την εσωτερική φλάντζα (12) στην άτρακτο (9) όπως φαίνεται στην εικ. D.

Βεβαιωθείτε ότι η φλάντζα είναι σωστά τοποθετημένη στις επίπεδες πλευρές της ατράκτου.

- ♦ Τοποθετήστε τον δίσκο (5) στην άτρακτο (9) όπως φαίνεται στην εικ. E. Αν ο δίσκος προεξέχει στη μέση (13), βεβαιωθείτε ότι το υπερυψωμένο σημείο βρίσκεται απέναντι από την εσωτερική φλάντζα.
- ♦ Βεβαιωθείτε ότι ο δίσκος τοποθετείται σωστά πάνω στην εσωτερική φλάντζα.
- ♦ Τοποθετήστε την εξωτερική φλάντζα (14) πάνω στην άτρακτο. Κατά την τοποθέτηση ενός δίσκου τροχίσματος, το υπερυψωμένο σημείο του κέντρου στην εξωτερική φλάντζα πρέπει να βρίσκεται απέναντι από τον δίσκο (A στην εικ. F). Κατά την τοποθέτηση ενός δίσκου κοπής, το υπερυψωμένο σημείο του κέντρου στην εξωτερική φλάντζα πρέπει να βρίσκεται μακριά από τον δίσκο (B στην εικ. F).
- ♦ Κρατήστε πατημένη την ασφάλεια της ατράκτου (3) και σφίξτε την εξωτερική φλάντζα με το κλειδί δύο πείρων (15) (εικ. A & G). Βεβαιωθείτε ότι έχει τοποθετηθεί σωστά η κατάλληλη εξωτερική φλάντζα για τον τύπο του δίσκου που χρησιμοποιείται και ότι ο δίσκος είναι γερά στερεωμένος.

## Αφαίρεση

- ♦ Κρατήστε πατημένη την ασφάλεια της ατράκτου (3) και χαλαρώστε την εξωτερική φλάντζα (14) με το κλειδί δύο πείρων (15) (εικ. A & G).
- ♦ Αφαιρέστε την εξωτερική φλάντζα (14) και τον δίσκο (5).

## Τοποθέτηση και αφαίρεση δίσκων λείανσης (εικ. A, H & I)

Σε περιπτώσεις λείανσης απαιτείται ελαστικό παρέμβυσμα. Το ελαστικό παρέμβυσμα διατίθεται στις αντιπροσωπίες της Black & Decker ως ξεχωριστό εξάρτημα.

## Τοποθέτηση

- ♦ Αφαιρέστε το προστατευτικό κάλυμμα όπως περιγράφεται παραπάνω.
- ♦ Τοποθετήστε την εσωτερική φλάντζα (12) στην άτρακτο (9) όπως φαίνεται στην εικ. H.

Βεβαιωθείτε ότι η φλάντζα είναι σωστά τοποθετημένη στις επίπεδες πλευρές της ατράκτου.

- ♦ Τοποθετήστε το ελαστικό παρέμβυσμα (16) πάνω στην άτρακτο.
- ♦ Τοποθετήστε τον δίσκο λείανσης (17) στο ελαστικό παρέμβυσμα.
- ♦ Τοποθετήστε την εξωτερική φλάντζα (14) πάνω στην άτρακτο με το υπερυψωμένο σημείο στραμμένο μακριά από τον δίσκο.
- ♦ Κρατήστε πατημένη την ασφάλεια της ατράκτου (3) και σφίξτε την εξωτερική φλάντζα με το κλειδί δύο πείρων (15) (εικ. A & I). Βεβαιωθείτε ότι έχει τοποθετηθεί σωστά η εξωτερική φλάντζα και ότι ο δίσκος είναι γερά στερεωμένος.

### Αφαίρεση

- ♦ Κρατήστε πατημένη την ασφάλεια της ατράκτου (3) και χαλαρώστε την εξωτερική φλάντζα (14) με το κλειδί δύο πείρων (15) (εικ. A & I).
- ♦ Αφαιρέστε την εξωτερική φλάντζα (14), τον δίσκο λείανσης (17) και το ελαστικό παρέμβυσμα (16).



Μετά τη λείανση, επανατοποθετήστε το προστατευτικό κάλυμμα στο εργαλείο.

### ΧΡΗΣΗ



Αφήστε το εργαλείο να λειτουργήσει στο δικό του ρυθμό και μην το υπερφορτώνετε.

- ♦ Περάστε προσεκτικά το καλώδιο ώστε να μην το κόψετε κατά λάθος.
- ♦ Λάβετε υπόψη ότι θα προκληθούν σπινθήρες όταν ο δίσκος τροχίσματος ή κοπής έρθει σε επαφή με το τεμάχιο εργασίας.
- ♦ Να τοποθετείτε πάντα το εργαλείο με τρόπο ώστε το προστατευτικό κάλυμμα να παρέχει τη βέλτιστη προστασία από τον δίσκο τροχίσματος ή κοπής.



Κατά τη χρήση αυτού του εργαλείου, να φοράτε προστατευτικά γυαλιά.

### Θέση εντός και εκτός λειτουργίας (εικ. J)

- ♦ Για να θέσετε το εργαλείο σε λειτουργία, σύρετε εμπρός το διακόπτη on/off (1). Σας επισημαίνουμε ότι το εργαλείο θα συνεχίσει να είναι σε λειτουργία όταν απελευθερώσετε τον διακόπτη.
- ♦ Για να θέσετε το εργαλείο εκτός λειτουργίας, πατήστε το πίσω τμήμα του διακόπτη on/off.

### Συμβουλές για άριστη χρήση

- ♦ Κρατήστε γερά το εργαλείο με το ένα χέρι στην πλευρική λαβή και το άλλο γύρω από το περιβλήμα του κινητήρα (εικ. K).
- ♦ Κατά τη λείανση, να διατηρείτε πάντα μία γωνία περίπου 15<gr> μεταξύ του δίσκου και της επιφάνειας του τεμαχίου εργασίας (εικ. L).

### ΣΥΝΤΗΡΗΣΗ

Αυτό το εργαλείο της Black & Decker έχει σχεδιαστεί έτσι ώστε να λειτουργεί για μεγάλο χρονικό διάστημα με την ελάχιστη δυνατή φροντίδα. Η αδιάλειπτη και κανονική λειτουργία του εξαρτάται από τη φροντίδα του εργαλείου και τον τακτικό καθαρισμό του.



Πριν από την εκτέλεση εργασιών συντήρησης στο εργαλείο, θα πρέπει να το σβήσετε και να το βγάλετε από την πρίζα.

- ♦ Να καθαρίζετε τακτικά τις υποδοχές εξαερισμού στο εργαλείο σας χρησιμοποιώντας μαλακή βούρτσα ή στεγνό πανί.
- ♦ Να καθαρίζετε τακτικά το περιβλήμα της μηχανής χρησιμοποιώντας ένα βρεγμένο πανί. Μη χρησιμοποιείτε σπλιβωτικά ή υγρά καθαρισμού που περιέχουν διαλυτικές ουσίες.

### ΠΡΟΣΤΑΣΙΑ ΤΟΥ ΠΕΡΙΒΑΛΛΟΝΤΟΣ



Η Black & Decker δίνει τη δυνατότητα ανακύκλωσης των προϊόντων της που έχουν συμπληρώσει τη διάρκεια ζωής τους. Η υπηρεσία αυτή είναι δωρεάν. Αν θέλετε να χρησιμοποιήσετε την εν λόγω υπηρεσία, επιστρέψτε το προϊόν σας σε οποιοδήποτε εξουσιοδοτημένο κέντρο επισκευών, όπου θα το παραλάβουν εκ μέρους σας.

Ενημερωθείτε για το πλησιέστερο κέντρο επισκευών της περιοχής σας, επικοινωνώντας με τα γραφεία της Black & Decker στη διεύθυνση που αναγράφεται στο εγχειρίδιο. Επίσης, για να πληροφορηθείτε για τα εξουσιοδοτημένα κέντρα επισκευών της Black & Decker, τις λεπτομέρειες και τους αρμόδιους των υπηρεσιών που παρέχονται μετά την πώληση, μπορείτε να ανατρέξετε στο Διαδίκτυο στη διεύθυνση: [www.2helpU.com](http://www.2helpU.com).

### Τεχνικά χαρακτηριστικά

		KG900	KG915
Τάση	V <sub>AC</sub>	230	230
Ισχύς εισόδου	W	900	900
Ταχύτητα άφορτου κίνησης	min <sup>-1</sup>	10.000	10.000
Διάμετρος δίσκου	mm	100	115
Εσωτερική διάμετρος δίσκου	mm	16	22
Μέγεθος ατράκτου		M10	M14
Βάρος	kg	2,1	2,1

### ΕΓΓΥΗΣΗ

Η Black & Decker είναι σίγουρη για την ποιότητα των προϊόντων της και παρέχει σημαντική εγγύηση. Η παρούσα γραπτή εγγύηση αποτελεί πρόσθετο δικαίωμά σας και δεν ζημιώνει τα συνταγματικά σας δικαιώματα. Η εγγύηση ισχύει εντός της επικράτειας των Κρατών Μελών της Ευρωπαϊκής Ένωσης και της Ευρωπαϊκής Ζώνης Ελευθέρων Συναλλαγών.

Σε περίπτωση που κάποιο προϊόν της Black & Decker παρουσιάσει βλάβη εξαιτίας ελαττωματικών υλικών, ποιότητας εργασίας ή έλλειψων σε σχέση με τις προδιαγραφές εντός 24 μηνών από την ημερομηνία αγοράς, η Black & Decker εγγυάται την αντικατάσταση των ελαττωματικών τμημάτων, την επισκευή προϊόντων που έχουν υποστεί εύλογη φθορά λόγω χρήσης ή την αντικατάσταση των προϊόντων προκειμένου να εξασφαλίσει την ελάχιστη ενόχληση στους πελάτες της, εκτός αν:

- ♦ Το προϊόν έχει χρησιμοποιηθεί σε εργασιακό, επαγγελματικό περιβάλλον ή αν έχει ενοικιαστεί
- ♦ Έχει γίνει εσφαλμένη χρήση του προϊόντος ή αν έχει παραμεληθεί
- ♦ Το προϊόν έχει υποστεί βλάβη από άλλα αντικείμενα, από ουσίες ή λόγω ατυχήματος

- ♦ Έχει γίνει προσπάθεια επισκευής από μη εξουσιοδοτημένα κέντρα επισκευών ή από προσωπικό που δεν ανήκει στο προσωπικό της Black & Decker

Για να ισχύσει η εγγύηση, πρέπει να υποβάλετε απόδειξη αγοράς στον πωλητή ή το εξουσιοδοτημένο κέντρο επισκευών. Ενημερωθείτε για το πλησιέστερο κέντρο επισκευών της περιοχής σας, επικοινωνώντας με τα γραφεία της Black & Decker στη διεύθυνση που αναγράφεται στο εγχειρίδιο. Επίσης, για να πληροφορηθείτε για τα εξουσιοδοτημένα κέντρα επισκευών της Black & Decker, τις λεπτομέρειες και τους αρμόδιους των υπηρεσιών που παρέχονται μετά την πώληση, μπορείτε να ανατρέξετε στο Διαδίκτυο στη διεύθυνση: [www.2helpU.com](http://www.2helpU.com).

### ΆΛΛΑ ΕΡΓΑΛΕΙΑ ΓΙΑ ΜΑΣΤΟΡΕΜΑΤΑ

Η Black & Decker διαθέτει μια πλήρη σειρά εργαλείων, τα οποία διευκολύνουν την εκτέλεση μαστορεμάτων. Για περισσότερες πληροφορίες σχετικά με τα προϊόντα που ακολουθούν, συμβουλευτείτε το Κέντρο Εξυπηρέτησης και Πληροφόρησης (δείτε τη σελίδα διευθύνσεων που βρίσκεται στο τέλος του παρόντος φυλλαδίου) ή το τοπικό σας κατάστημα πώλησης προϊόντων Black & Decker.

Δράπανα

Επαναφορτιζόμενα κατασαβίδια

Επαναφορτιζόμενα δραπανοκατσάβιδα

Τριβεία

Σέγες

Δισκοπρίονα

Φαλτσοπρίονα

Γωνιακά τριβεία

Πλάνες

Ρούτερ

Πολυεργαλεία, ηλεκτρικά και επαναφορτιζόμενα

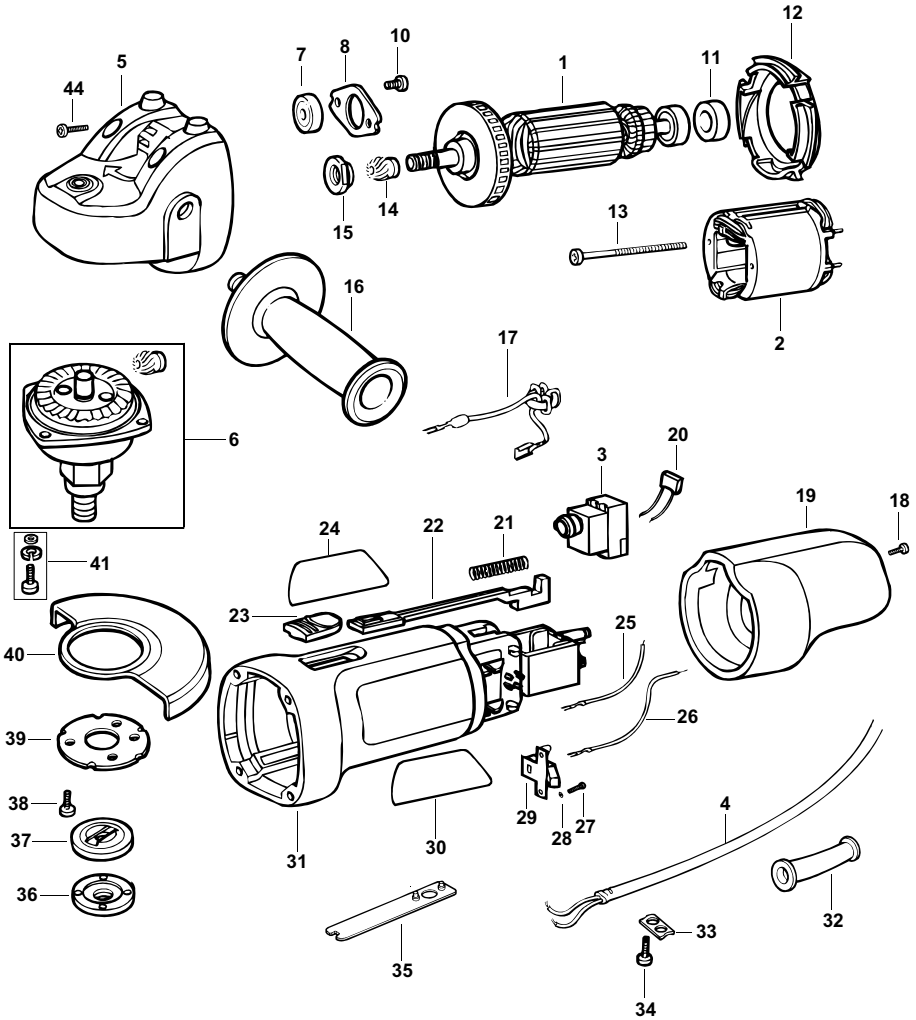
Πιστολέτα θερμού αέρα

Πάγκοι εργασίας

Διαθέτουμε επίσης μία εκτεταμένη σειρά

εξαρτημάτων για τα παραπάνω εργαλεία.

Δεν είναι όλα τα προϊόντα διαθέσιμα σε όλες τις χώρες.



<b>Australia</b>	DeWALT Industrial Power Tool Company 7 Clarice Road, Box Hill, Victoria 3128	Tel. 03 9895 9200 Fax 03 9899 7465
<b>Belgique/België</b>	Black & Decker (Belgium) N.V. Weihoek 1, 1930 Zaventem	Tel. 02/719.07.11 Fax 02/721.40.45
<b>Danmark</b>	Black & Decker Hejrevang 26B, 3450 Allerød Internet: www.blackdecker.dk	Tel. 70 20 15 10 Fax 48 14 13 99
<b>Deutschland</b>	Black & Decker GmbH Black & Decker Str. 40, D - 65510 Idstein	Tel. 06126/21 24 83 Fax 06126/21 26 01
<b>Ελλάς</b>	Black & Decker (Ελλάς) Α.Ε. Στράβωνος 7 & Βουλιαγμένης 159 16674 Γλυφάδα, Αθήνα, Ελλάδα	Τηλ. (010) 8981 616 Τηλ. (010) 8982 630 Φαξ Service (010) 8983 285
<b>España</b>	Black & Decker Spain Parque de Negocios "Mas Blau" Edificio Muntadas, c/Bergadá, 1, Of. A6 08820 El Prat de Llobregat (Barcelona)	Tel. 934 797 400 Fax 934 797 419
<b>France</b>	Black & Decker (France) S.A.S. B.P. 21, 69571 Dardilly Cédex	Tel. 04 72 20 39 20 Fax 04 72 20 39 00
<b>Helvetia</b>	ROFO AG Gewerbezone Seeblick 3213 Kleinbödingen	Tel. 026-6749391 Fax 026-6749394
<b>Italia</b>	Black & Decker Italia SpA Viale Elvezia 2 20052 Monza (MI)	Tel. 039-23871 Fax 039-2387592/2387594 Numero verde 800-213935
<b>Nederland</b>	Black & Decker (Nederland) BV Florijnstraat 10, 4879 AH Etten-Leur	Tel. 076-5082000 Fax 076-5038184
<b>New Zealand</b>	Black & Decker 81 Hugo Johnson Drive Penrose, Auckland, New Zealand	Tel. 09 579 7600 Fax 09 579 8200
<b>Norge</b>	Black & Decker (Norge) A/S Postboks 248, Leirdal, 1011 Oslo Internet: www.blackdecker.no	Tlf. 22 90 99 00 Fax 22 90 99 01
<b>Österreich</b>	Black & Decker Vertriebsges.m.b.H Erlaaerstraße 165, 1231 Wien	Tel. 01 66116-0 Fax 01 66116-14
<b>Portugal</b>	Black & Decker Rua Egas Moniz 173 S. João do Estoril 2766-651, Estoril	Tel. 214667500 Fax 214667575
<b>South Africa</b>	Black & Decker South Africa (Pty) Ltd Physical address: 39 Commerce Crescent Eastgate, ext. 12, Sandton, Kramerville 2148 Postal address: Postnet Suite 107, Private Bag X65 Halfway House 1685	Tel. (011) 653-1400 Fax (011) 653-1499
<b>Suomi</b>	Black & Decker Oy Palotie 3, 01610 Vantaa Black & Decker Oy, Brandvägen 3, 01610 Vanda	Puh: (09) 825 4540 Fax: (09) 825 45 444 Tel: (09) 825 4540 Fax: (09) 825 45 444
<b>Sverige</b>	Black & Decker AB Box 603, 421 26 Västra Frölunda, Besöksadr. Ekonomivägen 11	Tel: 031-68 60 00 Fax: 031-68 60 08
<b>Türkiye</b>	Black & Decker Merkez Servis Dudullu Cad. Kerembey Sok. No. 1 Küçükbakkalköy/Istanbul	Tel. 0216 455 89 73 Faks 0216 455 20 52
<b>United Kingdom</b>	Black & Decker 210 Bath Road Slough, Berkshire SL1 3YD	Tel. 01753 511234 Fax 01753 551155 Helpline 01753 574277

Dealer address  
Händleradresse  
Cachet du revendeur  
Indirizzo del rivenditore  
Adres van de dealer  
Dirección del detallista  
Morada do revendedor  
Återförsäljarens adress  
Forhandlerens adresse  
Forhandler adresse  
Jälleenmyyjän osoite  
Διεύθυνση αντιπροσώπου

Date of purchase  
Kaufdatum  
Date d'achat  
Data d'acquisto  
Aankoopdatum  
Fecha de compra  
Data de compra  
Inköpsdatum  
Inköpsdato  
Indkøbsdato  
Ostopäivä  
Ημερομηνία αγοράς

◆ Name ◆ Name ◆ Nom ◆ Nome ◆  
◆ Naam ◆ Nombre ◆ Nome ◆ Namm  
◆ Navn ◆ Navn ◆ Nimi ◆ Ovonja:  
.....  
◆ Address ◆ Adresse ◆ Adresse ◆  
Indirizzo ◆ Adresse ◆ Dirección ◆ Morada  
◆ Address ◆ Adresse ◆ Adresse ◆ Osoite  
◆ Διεύθυνση:

◆ Town ◆ Ort ◆ Ville ◆ Città ◆ Plaats  
◆ Ciudad ◆ Localidade ◆ Ort ◆ By  
◆ Paikkakunta ◆ Πόλη:

◆ Postal code ◆ Postleitzahl ◆ Code  
postal ◆ Codice postale ◆ Postcode  
◆ Código ◆ Código postal ◆ Postnr.  
◆ Postnr. ◆ Postnr. ◆ Postnummero  
◆ Κωδικός

◆ Is this tool a gift? ◆ Ist dieses Gerät  
ein Geschenk? ◆ S'agit-il d'un cadeau?  
◆ Si tratta di un regalo? ◆ Kreeg u de  
machine als cadeau? ◆ ¿Ha recibido  
usted esta herramienta como regalo?  
◆ Recebeu esta ferramenta como  
presente? ◆ Är verktyget en gåva?  
◆ Er verkjøyet en gave? ◆ Er verkjøyet  
en gave? ◆ Onko kone lahja?  
◆ Το εργαλείο είναι δωρό?

◆ Yes ◆ Ja ◆ Oui ◆ Si ◆ Ja ◆ Sí  
◆ Sim ◆ Ja ◆ Ja ◆ Ja ◆ Kyllä ◆ Naa  
 ◆ No ◆ Nein ◆ Non ◆ No ◆ Nee  
◆ No ◆ Nao ◆ Nej ◆ Nei ◆ Nej  
◆ Ei ◆ Oxi

◆ Is this tool your first purchase? ◆ Ist  
dieses Gerät ein Erstkauf? ◆ Est-ce un  
1er achat? ◆ Questo prodotto è il suo  
primo acquisto? ◆ Is deze machine uw  
eerste aankoop? ◆ ¿Es esta  
herramienta la primera de este tipo?  
◆ Esta ferramenta é a sua primeira  
compra? ◆ Är detta ditt första B&D-  
verktyg? ◆ Er dette ditt første B&D-  
verktyg? ◆ Er dette ditt første B&D

verktyg? ◆ Onko tämä ensimmäinen  
B&D-koneesi? ◆ Είναι το εργαλείο  
αυτό η πρώτη σας αγορά?

◆ Yes ◆ Ja ◆ Oui ◆ Si ◆ Ja ◆ Sí  
◆ Sim ◆ Ja ◆ Ja ◆ Ja ◆ Kyllä ◆ Naa  
 ◆ No ◆ Nein ◆ Non ◆ No ◆ Nee  
◆ No ◆ Nao ◆ Nej ◆ Nei ◆ Nej  
◆ Ei ◆ Oxi

◆ Dealer address ◆ Händleradresse  
◆ Cachet du revendeur ◆ Indirizzo del  
rivenditore ◆ Adres van de dealer  
◆ Dirección del detallista ◆ Morada do  
revendedor ◆ Återförsäljarens adress  
◆ Forhandlerens adresse ◆ Forhandler  
adresse ◆ Jälleenmyyjän osoite  
◆ Διεύθυνση αντιπροσώπου

**Cat. no.:**



◆ Data protection act: Tick the box if  
you prefer not to receive further  
information. ◆ Bitte ankreuzen, falls Sie  
keine weiteren Informationen erhalten  
möchten. ◆ Si vous ne souhaitez pas  
recevoir d'informations, cochez cette  
case. ◆ Barrate la casella se non  
desiderate ricevere informazioni.  
◆ A.u.b. dit vakje aankruisen indien u  
geen informatie wenst te ontvangen.  
◆ Señale en la casilla sino quiere recibir  
información. ◆ Por favor, assinala com  
uma cruz se não desejar receber  
informação. ◆ Vänligen kryssa för i  
rutan om Ni inte vill ha information.  
◆ Vennligst kryss av dersom du ikke  
ønsker informasjon. ◆ Venligst sæt  
kryds i ruden såfremt De ikke måtte  
ønske at modtage information.  
◆ Merkitkää rasti ruutuun, mikäli ette  
halua vastaanottaa informaatiota.  
◆ Παρακαλείσθε να σημειώσετε εάν  
δεν θέλετε να πάρετε πληροφορίες;

- ◆ GUARANTEE CARD
- ◆ GARANTIEKART
- ◆ GARANTI KORT
- ◆ GARANTIEKARTE
- ◆ TARJETA DE GARANTÍA
- ◆ GARANTI KORT
- ◆ CARTE DE GARANTIE
- ◆ CARTÃO DE GARANTIA
- ◆ TAKUUKORTTI
- ◆ TAGLIANDO DI GARANZIA
- ◆ GARANTIBEVIS
- ◆ KAPTA EFTYHSHZ



### English

Please complete this section immediately after the purchase of your tool and send it to Black & Decker in your country. If you live in Australia or New Zealand, please register by using the alternative guarantee card supplied.

### Deutsch

Bitte schneiden Sie diesen Abschnitt ab, stecken ihn in einen frankierten Umschlag und schicken ihn an die Black & Decker Adresse Ihres Landes.

### Français

Découpez cette partie et envoyez-la sous enveloppe timbrée à l'adresse de Black & Decker dans votre pays, ceci immédiatement après votre achat.

### Italiano

Per favore ritagliate questa parte, inseritela in una busta con francobollo e spedite la subito dopo l'acquisto del prodotto all'indirizzo della Black & Decker nella vostra nazione.

### Nederlands

Knip dit gedeelte uit en zend het direct na aankoop in een gefrankeerde, geaddresserde envelop naar het adres van Black & Decker in uw land.

### Español

Después de haber comprado su herramienta envíe usted, por favor, esta tarjeta a la central de Black & Decker en su país.

### Português

Por favor, recorte esta parte, coloque-a num envelope selado e endereçado e envie-o logo após a compra do seu produto para o endereço da Black & Decker do seu país.

### Svenska

Var vänlig klipp ur denna del och sänd den i ett frankerat kuvert till Black & Deckers adress i Ditt land.

### Norsk

Vennligst klipp ut denne delen umiddelbart etter du har pakket ut ditt produkt og legg det i en adressert konvolutt til Black & Decker (Norge) AS.

### Dansk

Venligst klip denne del ud og send frankeret til Black & Decker i dit land.

### Suomi

Leikkaa irti tämä osa, laita se kuoreen ja postitaa kuori paikalliseen Black & Decker osoitteeseen.

### Ελληνικά

Τακτικά κόψτε αυτό το κομμάτι και ταχυδρομήστε το μετρώς μετά την αγορά του προϊόντος σας στην διεύθυνση της Black & Decker στην Ελλάδα.