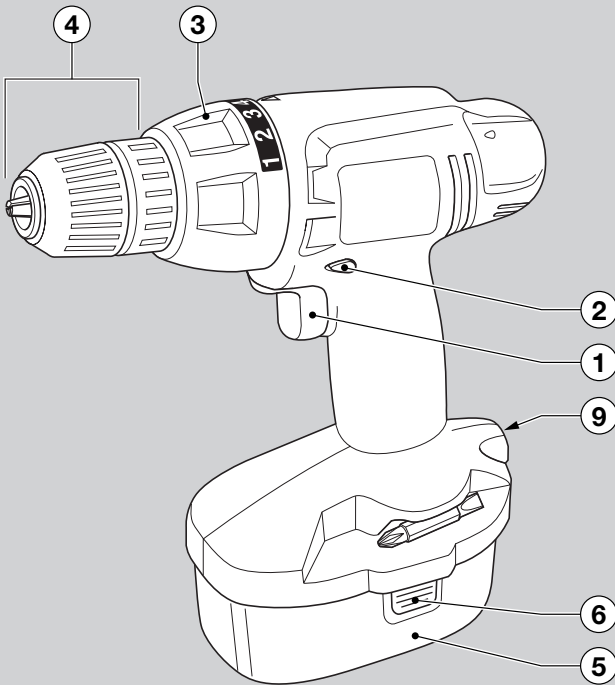


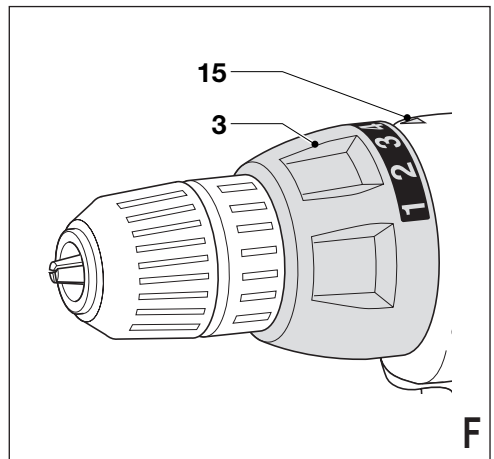
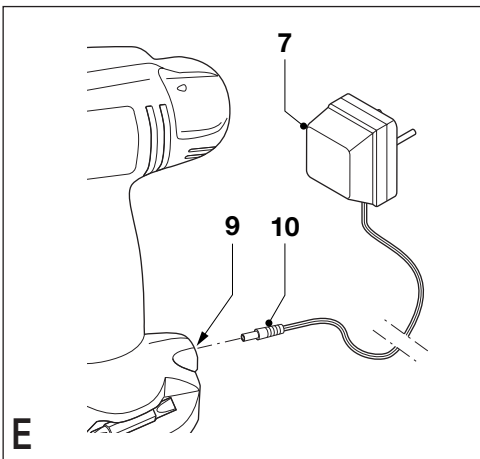
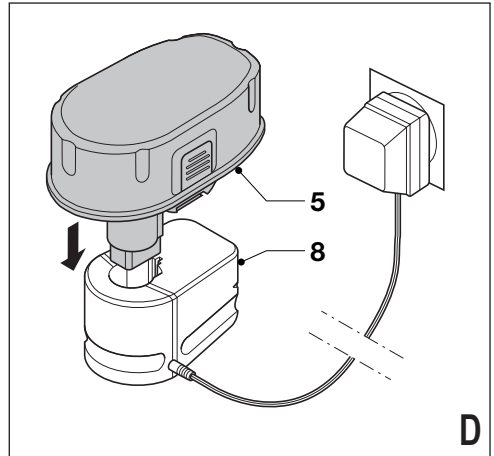
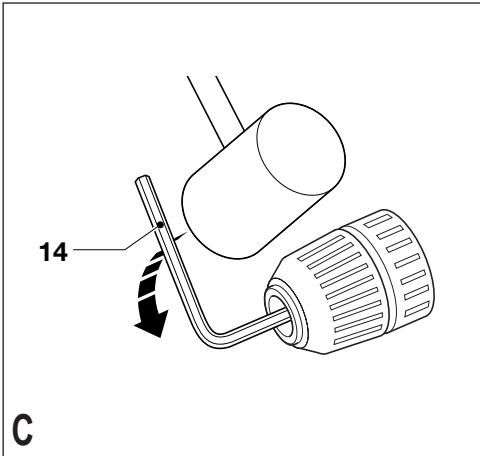
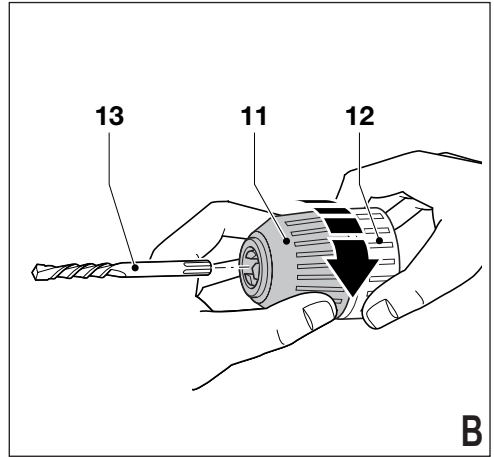
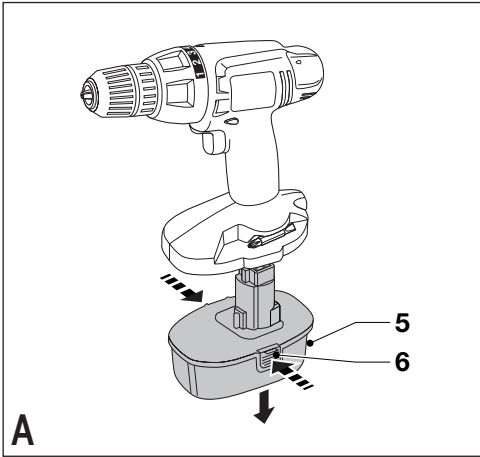


BLACK & DECKER®

www.blackanddecker.eu



English	3
Deutsch	9
Français	16
Italiano	23
Nederlands	30
Español	37
Português	44
Svenska	51
Norsk	57
Dansk	63
Suomi	69
Ελληνικά	75



Intended use

Your Black & Decker drill/screwdriver has been designed for screwdriving applications and for drilling in wood, metal and plastics. This tool is intended for consumer use only.

Safety instructions

General power tool safety warnings



Warning! Read all safety warnings and all instructions. Failure to follow the warnings and instructions listed below may result in electric shock, fire and/or serious injury.

Save all warnings and instructions for future reference.

The term "power tool" in all of the warnings listed below refers to your mains operated (corded) power tool or battery operated (cordless) power tool.

1. **Work area safety**
 - a. **Keep work area clean and well lit.** Cluttered or dark areas invite accidents.
 - b. **Do not operate power tools in explosive atmospheres, such as in the presence of flammable liquids, gases or dust.** Power tools create sparks which may ignite the dust or fumes.
 - c. **Keep children and bystanders away while operating a power tool.** Distractions can cause you to lose control.
2. **Electrical safety**
 - a. **Power tool plugs must match the outlet. Never modify the plug in any way. Do not use any adapter plugs with earthed (grounded) power tools.** Unmodified plugs and matching outlets will reduce risk of electric shock.
 - b. **Avoid body contact with earthed or grounded surfaces such as pipes, radiators, ranges and refrigerators.** There is an increased risk of electric shock if your body is earthed or grounded.
 - c. **Do not expose power tools to rain or wet conditions.** Water entering a power tool will increase the risk of electric shock.
 - d. **Do not abuse the cord. Never use the cord for carrying, pulling or unplugging the power tool. Keep cord away from heat, oil, sharp edges or moving parts.** Damaged or entangled cords increase the risk of electric shock.
 - e. **When operating a power tool outdoors, use an extension cord suitable for outdoor use.** Use of a cord suitable for outdoor use reduces the risk of electric shock.
 - f. **If operating a power tool in a damp location is unavoidable, use a residual current device (RCD) protected supply.** Use of an RCD reduces the risk of electric shock.
3. **Personal safety**
 - a. **Stay alert, watch what you are doing and use common sense when operating a power tool. Do not use a power tool while you are tired or under the influence of drugs, alcohol or medication.** A moment of inattention while operating power tools may result in serious personal injury.
 - b. **Use personal protective equipment. Always wear eye protection.** Protective equipment such as dust mask, non-skid safety shoes, hard hat, or hearing protection used for appropriate conditions will reduce personal injuries.
 - c. **Prevent unintentional starting. Ensure the switch is in the off-position before connecting to power source and/or battery pack, picking up or carrying the tool.** Carrying power tools with your finger on the switch or energising power tools that have the switch on invites accidents.
 - d. **Remove any adjusting key or wrench before turning the power tool on.** A wrench or a key left attached to a rotating part of the power tool may result in personal injury.
 - e. **Do not overreach. Keep proper footing and balance at all times.** This enables better control of the power tool in unexpected situations.
 - f. **Dress properly. Do not wear loose clothing or jewellery. Keep your hair, clothing and gloves away from moving parts.** Loose clothes, jewellery or long hair can be caught in moving parts.
 - g. **If devices are provided for the connection of dust extraction and collection facilities, ensure these are connected and properly used.** Use of dust collection can reduce dust-related hazards.
4. **Power tool use and care**
 - a. **Do not force the power tool. Use the correct power tool for your application.** The correct power tool will do the job better and safer at the rate for which it was designed.
 - b. **Do not use the power tool if the switch does not turn it on and off.** Any power tool that cannot be controlled with the switch is dangerous and must be repaired.
 - c. **Disconnect the plug from the power source and/or the battery pack from the power tool before making any adjustments, changing accessories, or storing power tools.** Such preventive safety measures reduce the risk of starting the power tool accidentally.
 - d. **Store idle power tools out of the reach of children and do not allow persons unfamiliar with the power tool or these instructions to operate the power tool.** Power tools are dangerous in the hands of untrained users.

- e. **Maintain power tools. Check for misalignment or binding of moving parts, breakage of parts and any other condition that may affect the power tools operation. If damaged, have the power tool repaired before use.** Many accidents are caused by poorly maintained power tools.
 - f. **Keep cutting tools sharp and clean.** Properly maintained cutting tools with sharp cutting edges are less likely to bind and are easier to control.
 - g. **Use the power tool, accessories and tool bits etc., in accordance with these instructions, taking into account the working conditions and the work to be performed.** Use of the power tool for operations different from those intended could result in a hazardous situation.
- 5. Battery tool use and care**
- a. **Recharge only with the charger specified by the manufacturer.** A charger that is suitable for one type of battery pack may create a risk of fire when used with another battery pack.
 - b. **Use power tools only with specifically designated battery packs.** Use of any other battery packs may create a risk of injury and fire.
 - c. **When battery pack is not in use, keep it away from other metal objects, like paper clips, coins, keys, nails, screws, or other small metal objects, that can make a connection from one terminal to another.** Shorting the battery terminals together may cause burns or a fire.
 - d. **Under abusive conditions, liquid may be ejected from the battery; avoid contact. If contact accidentally occurs, flush with water. If liquid contacts eyes, additionally seek medical help.** Liquid ejected from the battery may cause irritation or burns.
- 6. Service**
- a. **Have your power tool serviced by a qualified repair person using only identical replacement parts.** This will ensure that the safety of the power tool is maintained.

- ◆ **Hold power tool by insulated gripping surfaces when performing an operation where the cutting accessory may contact hidden wiring or its own cord.** Cutting accessory contacting a "live" wire may make exposed metal parts of the power tool "live" and shock the operator.
- ◆ **Use clamps or another practical way to secure and support the workpiece to a stable platform.** Holding the work by hand or against your body leaves it unstable and may lead to loss of control.
- ◆ Before drilling into walls, floors or ceilings, check for the location of wiring and pipes.
- ◆ Avoid touching the tip of a drill bit just after drilling, as it may be hot.
- ◆ This tool is not intended for use by persons (including children) with reduced physical, sensory or mental capabilities, or lack of experience and knowledge, unless they have been given supervision or instruction concerning use of the appliance by a person responsible for their safety. Children should be supervised to ensure that they do not play with the appliance.
- ◆ The intended use is described in this instruction manual. The use of any accessory or attachment or performance of any operation with this tool other than those recommended in this instruction manual may present a risk of personal injury and/or damage to property.

Additional safety instructions for batteries and chargers

Batteries

- ◆ Never attempt to open for any reason.
- ◆ Do not expose the battery to water.
- ◆ Do not expose the battery to heat.
- ◆ Do not store in locations where the temperature may exceed 40 °C.
- ◆ Charge only at ambient temperatures between 10 °C and 40 °C.
- ◆ Charge only using the charger provided with the tool.
- ◆ When disposing of batteries, follow the instructions given in the section "Protecting the environment".
- ◆ Under extreme conditions, battery leakage may occur. When you notice liquid on the battery, proceed as follows:
 - Carefully wipe the liquid off using a cloth. Avoid skin contact.
 - In case of skin or eye contact, follow the instructions below.

Warning! The battery fluid, a 25-30% solution of potassium hydroxide, can be harmful. In case of skin contact, immediately rinse with water. Neutralise with a mild acid such as lemon juice or vinegar. In case of eye contact, rinse abundantly with clean water for at least 10 minutes. Consult a physician.



Warning! Additional safety warnings for drills and impact drills

- ◆ **Wear ear protectors with impact drills.** Exposure to noise can cause hearing loss.
- ◆ **Use auxiliary handles supplied with the tool.** Loss of control can cause personal injury.



Fire hazard! Avoid short-circuiting the contacts of a detached battery (e.g. when storing the battery in a toolbox).



Do not incinerate the battery.



Do not attempt to charge damaged batteries.

Chargers

- ◆ Use your Black & Decker charger only to charge the battery in the tool with which it was supplied. Other batteries could burst, causing personal injury and damage.
- ◆ Never attempt to charge non-rechargeable batteries.
- ◆ Have defective cords replaced immediately.
- ◆ Do not expose the charger to water.
- ◆ Do not open the charger.
- ◆ Do not probe the charger.



The charger is intended for indoor use only.

Vibration

The declared vibration emission values stated in the technical data and the declaration of conformity have been measured in accordance with a standard test method provided by EN 60745 and may be used for comparing one tool with another. The declared vibration emission value may also be used in a preliminary assessment of exposure.

Warning! The vibration emission value during actual use of the power tool can differ from the declared value depending on the ways in which the tool is used. The vibration level may increase above the level stated.

When assessing vibration exposure to determine safety measures required by 2002/44/EC to protect persons regularly using power tools in employment, an estimation of vibration exposure should consider, the actual conditions of use and the way the tool is used, including taking account of all parts of the operating cycle such as the times when the tool is switched off and when it is running idle in addition to the trigger time.

Labels on tool

The following pictograms are shown on the tool:



Warning! To reduce the risk of injury, the user must read the instruction manual.

Electrical safety



Your charger is double insulated; therefore no earth wire is required. Always check that the mains voltage corresponds to the voltage on the rating plate. Never attempt to replace the charger unit with a regular mains plug.

- ◆ If the supply cord is damaged, it must be replaced by the manufacturer or an authorised Black & Decker Service Centre in order to avoid a hazard.

Features

This tool includes some or all of the following features.

1. Variable speed switch or two-speed on/off switch
2. Forward/reverse slider
3. Mode selector / torque adjustment collar
4. Chuck
5. Battery
6. Battery release button

Fig. D & E

7. Charger
8. Charging base
9. Charger connector
10. Charger plug

Assembly

Warning! Before assembly, remove the battery from the tool.

Fitting and removing the battery (fig. A)

- ◆ To fit the battery (5), line it up with the receptacle on the tool. Slide the battery into the receptacle and push until the battery snaps into place.
- ◆ To remove the battery, push the two release buttons (6) simultaneously while at the same time pulling the battery out of the receptacle.

Fitting and removing a drill bit or screwdriver bit (fig. B)

Warning! First remove the battery from the tool.

This tool is fitted with a keyless chuck to allow for an easy exchange of bits.

- ◆ Lock the tool by setting the forward/reverse slider (2) to the centre position.
- ◆ Open the chuck by turning the front part (11) with one hand while holding the rear part (12) with the other (fig. B).
- ◆ Insert the bit shank (17) into the chuck.
- ◆ Firmly tighten the chuck by turning the front part (11) with one hand while holding the rear part (12) with the other.

Removing and refitting the chuck (fig. C)

- ◆ Open the chuck as far as possible.
- ◆ Remove the chuck retaining screw by turning it clockwise using a screwdriver.
- ◆ Tighten an Allen key (14) into the chuck and strike it with a hammer as shown.
- ◆ Remove the Allen key.
- ◆ Remove the chuck by turning it counterclockwise.
- ◆ To refit the chuck, screw it onto the spindle and secure it with the chuck retaining screw.

Use

Warning! Let the tool work at its own pace. Do not overload.

Charging the battery

The battery needs to be charged before first use and whenever it fails to produce sufficient power on jobs that were easily done before. When charging the battery for the first time, or after prolonged storage, it will only accept an 80% charge. After several charge and discharge cycles, the battery will attain full capacity. The battery may become warm while charging; this is normal and does not indicate a problem.

Warning! Do not charge the battery at ambient temperatures below 4 °C or above 40 °C. Recommended charging temperature: approx. 24 °C.

Charger with charging base (fig. D)

- ◆ To charge the battery (5), remove it from the tool and insert it into the charging base (8). The battery will only fit into the charging base in one way. Do not force. Be sure that the battery is fully seated in the charging base.
- ◆ Plug in the charger.

After normal use, a charging time of 3 hours will provide sufficient power for most applications. However, further charging for up to 6 hours could significantly increase the use time, depending on the battery and charging conditions.

- ◆ Remove the battery from the charger.

Charger without charging base (fig. E)

- ◆ To charge the battery, make sure that it is fitted on the drill.
- ◆ Insert the charger plug (10) into the connector (9).
- ◆ Plug in the charger.
- ◆ Switch on at the mains.

After normal use, a charging time of 3 hours will provide sufficient power for most applications. However, further charging for up to 6 hours could significantly increase the use time, depending on the battery and charging conditions.

- ◆ Disconnect the tool from the charger.

Warning! Do not use the tool while it is connected to the charger.


Selecting the direction of rotation

For drilling and for tightening screws, use forward (clockwise) rotation. For loosening screws or removing a jammed drill bit, use reverse (counterclockwise) rotation.

- ◆ To select forward rotation, push the forward/reverse slider (2) to the left.
- ◆ To select reverse rotation, push the forward/reverse slider to the right.
- ◆ To lock the tool, set the forward/reverse slider into the centre position.

Selecting the operating mode or torque (fig. F)

This tool is fitted with a collar to select the operating mode and to set the torque for tightening screws. Large screws and hard workpiece materials require a higher torque setting than small screws and soft workpiece materials. The collar has a wide range of settings to suit your application.

- ◆ For drilling in wood, metal and plastics, set the collar (3) to the drilling position by aligning the symbol  with the marking (15).
- ◆ For screwdriving, set the collar to the desired setting. If you do not yet know the appropriate setting, proceed as follows:
 - Set the collar (3) to the lowest torque setting.
 - Tighten the first screw.
 - If the clutch ratchets before the desired result is achieved, increase the collar setting and continue tightening the screw. Repeat until you reach the correct setting. Use this setting for the remaining screws.

Switching on and off

Variable speed switch

- ◆ To switch the tool on, press the variable speed switch (1). The tool speed depends on how far you press the switch.
- ◆ To switch the tool off, release the variable speed switch.

Two-speed on/off switch

- ◆ To switch the tool on, press the on/off switch (1). When slightly pressing the switch, the tool will run at low speed. When pressing the switch further, the tool will run at high speed.
- ◆ To switch the tool off, release the variable speed switch.

Hints for optimum use

Drilling

- ◆ Always apply a light pressure in a straight line with the drill bit.
- ◆ Just before the drill tip breaks through the other side of the workpiece, decrease pressure on the tool.
- ◆ Use a block of wood to back up workpieces that may splinter.
- ◆ Use spade bits when drilling large diameter holes in wood.

- ◆ Use HSS drill bits when drilling in metal.
- ◆ Use masonry bits when drilling in soft masonry.
- ◆ Use a lubricant when drilling metals other than cast iron and brass.
- ◆ Make an indentation using a centre punch at the centre of the hole to be drilled in order to improve accuracy.

Screwdriving

- ◆ Always use the correct type and size of screwdriver bit.
- ◆ If screws are difficult to tighten, try applying a small amount of washing liquid or soap as a lubricant.
- ◆ Always hold the tool and screwdriver bit in a straight line with the screw.

Maintenance

Your Black & Decker tool has been designed to operate over a long period of time with a minimum of maintenance. Continuous satisfactory operation depends upon proper tool care and regular cleaning.

Your charger does not require any maintenance apart from regular cleaning.

Warning! Before performing any maintenance on the tool, remove the battery from the tool. Unplug the charger before cleaning it.

- ◆ Regularly clean the ventilation slots in your tool and charger using a soft brush or dry cloth.
- ◆ Regularly clean the motor housing using a damp cloth. Do not use any abrasive or solvent-based cleaner.
- ◆ Regularly open the chuck and tap it to remove any dust from the interior.

Protecting the environment



Separate collection. This product must not be disposed of with normal household waste.

Should you find one day that your Black & Decker product needs replacement, or if it is of no further use to you, do not dispose of it with household waste. Make this product available for separate collection.



Separate collection of used products and packaging allows materials to be recycled and used again. Re-use of recycled materials helps prevent environmental pollution and reduces the demand for raw materials.

Local regulations may provide for separate collection of electrical products from the household, at municipal waste sites or by the retailer when you purchase a new product.

Black & Decker provides a facility for the collection and recycling of Black & Decker products once they have reached the end of their working life. To take advantage of this service please return your product to any authorised repair agent who will collect them on our behalf.

You can check the location of your nearest authorised repair agent by contacting your local Black & Decker office at the address indicated in this manual. Alternatively, a list of authorised Black & Decker repair agents and full details of our after-sales service and contacts are available on the Internet at: www.2helpU.com

Batteries



Black & Decker batteries can be recharged many times. At the end of their useful life, discard batteries with due care for our environment:

- ◆ Run the battery down completely, then remove it from the tool.
- ◆ NiCd, NiMH and Li-Ion batteries are recyclable. Take them to any authorised repair agent or a local recycling station.

Technical data

		CD12	CD112	CD96
Voltage	V _{DC}	12	12	9.6
No-load speed	min ⁻¹	700	700	700
Max. torque	Nm	8	8	7.5
Chuck capacity	mm	10	10	10
Max drilling capacity				
Steel	mm	10	10	10
Wood	mm	25	25	25
Weight	kg	0.9	0.9	0.7

		CD14	CD18
Voltage	V _{DC}	14.4	18
No-load speed	min ⁻¹	750	850
Max. torque	Nm	12.5	13
Chuck capacity	mm	10	10
Max drilling capacity			
Steel	mm	10	10
Wood	mm	25	25
Weight	kg	1.01	1.03

		KC12GT	KC14GT
Voltage	V _{DC}	12	14,4
No-load speed	min ⁻¹	700	750
Max. torque	Nm	8	12,5
Chuck capacity	mm	10	10
Max drilling capacity			
Steel	mm	10	10
Wood	mm	25	25
Weight	kg	0,9	1,01

Battery	A9251	A9252	A9262
Voltage	V _{DC} 9.6	12	14.4
Capacity	Ah 1.3	1.0	1.2
Weight	kg 0.365	0.5	0.7

Battery	A9272	A9282
Voltage	V _{DC} 9.6	18
Capacity	Ah 1.5	1.2
Weight	kg 0.465	0.73

Charger	
Input voltage	V _{AC} 220-240
Approx. charging time	h 3

EC declaration of conformity

CD12/CD112/CD96/CD14/CD18/KC12GT/KC14GT

Black & Decker declares that these products conform to:
98/37/EC, EN 60745

Level of sound pressure according to EN 60745:

Sound pressure (L_{pA}) 79 dB(A), uncertainty (K) 3 dB(A)

Acoustic power (L_{WA}) 68 dB(A), uncertainty (K) 3 dB(A)

Vibration total values (triax vector sum) according to

EN 60745:

Drilling into metal (a_{h,D}) < 2.5 m/s², uncertainty (K) 1.5 m/s²

Screwdriving without impact (a_{n,S}) < 2.5 m/s²,
uncertainty (K) 1.5 m/s²



Kevin Hewitt

Director of Consumer Engineering
Spennymoor, County Durham DL16 6JG,
United Kingdom
5-2-2008

Guarantee

Black & Decker is confident of the quality of its products and offers an outstanding guarantee. This guarantee statement is in addition to and in no way prejudices your statutory rights. The guarantee is valid within the territories of the Member States of the European Union and the European Free Trade Area.

If a Black & Decker product becomes defective due to faulty materials, workmanship or lack of conformity, within 24 months from the date of purchase, Black & Decker guarantees to replace defective parts, repair products subjected to fair wear and tear or replace such products to ensure minimum inconvenience to the customer unless:

- ◆ The product has been used for trade, professional or hire purposes;
- ◆ The product has been subjected to misuse or neglect;
- ◆ The product has sustained damage through foreign objects, substances or accidents;
- ◆ Repairs have been attempted by persons other than authorised repair agents or Black & Decker service staff.

To claim on the guarantee, you will need to submit proof of purchase to the seller or an authorised repair agent. You can check the location of your nearest authorised repair agent by contacting your local Black & Decker office at the address indicated in this manual. Alternatively, a list of authorised Black & Decker repair agents and full details of our after-sales service and contacts are available on the Internet at:

www.2helpU.com

Please visit our website www.blackanddecker.co.uk to register your new Black & Decker product and to be kept up to date on new products and special offers. Further information on the Black & Decker brand and our range of products is available at www.blackanddecker.co.uk

Bestimmungsgemäße Verwendung

Ihr Black & Decker Bohrschrauber wurde für Schraubaufgaben sowie für das Bohren in Holz, Metall und Kunststoff konstruiert. Dieses Gerät ist nicht für den gewerblichen Einsatz vorgesehen.

Sicherheitshinweise

Allgemeine Warnhinweise zur Sicherheit von Elektrowerkzeugen



Achtung! Lesen Sie sämtliche Sicherheitswarnhinweise und sonstigen Anweisungen. Die Nichteinhaltung der nachstehend aufgeführten Warnhinweise und sonstigen Anweisungen kann einen elektrischen Schlag, Brand und/oder schwere Verletzungen verursachen.

Bewahren Sie alle Warnhinweise und sonstigen Anweisungen zur künftigen Bezugnahme auf. Der nachfolgend verwendete Begriff "Gerät" bezieht sich auf netzbetriebene Geräte (mit Netzkabel) und auf akkubetriebene Geräte (ohne Netzkabel).

1. Sicherheit am Arbeitsplatz

- a. **Halten Sie Ihren Arbeitsbereich sauber und gut ausgeleuchtet.** Unordnung und dunkle Arbeitsbereiche fordern Unfälle geradezu heraus.
- b. **Arbeiten Sie mit Geräten nicht in explosionsgefährdeter Umgebung, in der sich brennbare Flüssigkeiten, Gase oder Stäube befinden.** Geräte erzeugen Funken, die den Staub oder die Dämpfe entzünden können.
- c. **Halten Sie Kinder und andere Personen während der Benutzung eines Geräts fern.** Bei Ablenkung können Sie die Kontrolle verlieren.

2. Elektrische Sicherheit

- a. **Der Anschlussstecker des Geräts muß in die Steckdose passen. Der Stecker darf in keiner Weise verändert werden. Verwenden Sie keine Adapterstecker gemeinsam mit schutzgeerdeten Geräten.** Unveränderte Stecker und passende Steckdosen verringern das Risiko eines elektrischen Schlages.
- b. **Vermeiden Sie Körperkontakt mit geerdeten Oberflächen von Rohren, Heizungen, Herden und Kühlschränken.** Es besteht ein erhöhtes Risiko eines elektrischen Schlags, wenn Ihr Körper geerdet ist.
- c. **Halten Sie Geräte von Regen und Nässe fern.** Das Eindringen von Wasser in ein Gerät erhöht das Risiko eines elektrischen Schlages.

- d. **Mißbrauchen Sie nicht das Kabel. Verwenden Sie das Kabel niemals zum Tragen, Ziehen oder Trennen des Gerätes vom Netz. Halten Sie das Kabel fern von Hitze, Öl, scharfen Kanten oder sich bewegenden Teilen.** Beschädigte oder verwickelte Kabel erhöhen das Risiko eines elektrischen Schlages.
- e. **Wenn Sie mit einem Gerät im Freien arbeiten, verwenden Sie nur Verlängerungskabel, die auch für den Außenbereich zugelassen sind.** Die Verwendung eines für den Außenbereich geeigneten Verlängerungskabels verringert das Risiko eines elektrischen Schlages.
- f. **Falls der Betrieb des Elektrowerkzeugs in einer feuchten Umgebung unvermeidbar ist, verwenden Sie einen mit einem Fehlerstromschutzschalter (FI-Schutzschalter) abgesicherten Stromkreis.** Durch die Verwendung eines FI-Schutzschalters wird das Risiko eines Stromschlags verringert.

3. Sicherheit von Personen

- a. **Seien Sie aufmerksam, achten Sie darauf, was Sie tun, und gehen Sie vernünftig mit einem Gerät um. Benutzen Sie das Gerät nicht, wenn Sie müde sind oder unter dem Einfluß von Drogen, Alkohol oder Medikamenten stehen.** Ein Moment der Unachtsamkeit beim Gebrauch von Geräten kann zu ernsthaften Verletzungen führen.
- b. **Tragen Sie persönliche Schutzausrüstung. Tragen Sie immer eine Schutzbrille.** Das Tragen persönlicher Schutzausrüstung, wie Staubmaske, rutschfeste Sicherheitsschuhe, Schutzhelm oder Gehörschutz, je nach Art und Einsatz des Elektrowerkzeuges, verringert das Risiko von Verletzungen.
- c. **Vermeiden Sie eine unbeabsichtigte Inbetriebnahme. Vergewissern Sie sich, dass der Schalter auf der Aus-Stellung steht, bevor Sie den Stecker in die Steckdose stecken und/oder das Akkupaket im Werkzeug stecken, das Werkzeug aufnehmen oder tragen.** Wenn Sie beim Tragen des Elektrowerkzeuges den Finger am Schalter haben oder das Werkzeug eingeschaltet an die Stromversorgung anschließen, kann dies zu Unfällen führen.
- d. **Entfernen Sie Einstell- oder Schraubenschlüssel, bevor Sie das Gerät einschalten.** Ein Schlüssel, der sich in einem sich drehenden Teil befindet, kann zu Verletzungen führen.
- e. **Nicht zu weit nach vorne strecken! Achten Sie auf einen sicheren Stand, um in jeder Arbeitsposition das Gleichgewicht zu halten.** Dadurch können Sie das Gerät in unerwarteten Situationen besser unter Kontrolle halten.
- f. **Tragen Sie geeignete Kleidung. Tragen Sie keine weite Kleidung oder Schmuck. Halten Sie Haare, Kleidung und Handschuhe fern von sich bewegenden Teilen.** Lockere Kleidung, Schmuck oder lange Haare können von sich bewegenden Teilen erfaßt werden.

- g. Falls Staubabsaug- und -auffangvorrichtungen vorhanden sind, vergewissern Sie sich, daß diese angeschlossen sind und richtig verwendet werden.** Das Verwenden dieser Einrichtungen verringert Gefährdungen durch Staub.
- 4. Gebrauch und Pflege von Geräten**
- a. Überlasten Sie das Gerät nicht. Verwenden Sie für Ihre Arbeit das dafür bestimmte Gerät.** Mit dem passenden Gerät arbeiten Sie besser und sicherer im angegebenen Leistungsbereich.
- b. Benutzen Sie kein Gerät, dessen Schalter defekt ist.** Ein Gerät, das sich nicht mehr ein- oder ausschalten läßt, ist gefährlich und muß repariert werden.
- c. Trennen Sie den Stecker von der Stromquelle und/ oder das Akkupaket vom Elektrowerkzeug, bevor Einstellungen vorgenommen, Zubehör gewechselt oder Elektrowerkzeuge verstaut werden.** Diese Vorsichtsmaßnahmen verhindern den unbeabsichtigten Start des Gerätes.
- d. Bewahren Sie unbenutzte Geräte außerhalb der Reichweite von Kindern auf. Lassen Sie Geräte nicht von Personen benutzen, die damit nicht vertraut sind oder diese Anweisungen nicht gelesen haben.** Geräte sind gefährlich, wenn Sie von unerfahrenen Personen benutzt werden.
- e. Halten Sie Geräte in einem einwandfreien Zustand. Kontrollieren Sie, ob bewegliche Teile falsch ausgerichtet sind oder klemmen und ob Teile gebrochen oder so beschädigt sind, daß die Funktion des Geräts beeinträchtigt ist. Lassen Sie beschädigte Geräte vor dem Gebrauch reparieren.** Viele Unfälle haben ihre Ursache in schlecht gewarteten Geräten.
- f. Halten Sie Schneidgeräte scharf und sauber.** Sorgfältig gepflegte Schneidgeräte mit scharfen Schneidkanten verklemmen sich weniger und sind leichter zu führen.
- g. Verwenden Sie das Elektrowerkzeug, Zubehör sowie Werkzeug-Bits, usw. entsprechend diesen Anweisungen. Berücksichtigen Sie dabei die Arbeitsbedingungen sowie die durchzuführende Arbeit.** Der Gebrauch von Geräten für andere als die vorgesehenen Anwendungen kann zu gefährlichen Situationen führen.
- 5. Gebrauch und Pflege von Akkugeräten**
- a. Laden Sie die Akkus nur in Ladegeräten auf, die vom Hersteller angegeben wurden.** Für ein Ladegerät, das nur für eine bestimmte Akkuart geeignet ist, besteht Brandgefahr, wenn es mit anderen Akkus verwendet wird.
- b. Verwenden Sie nur die für die Geräte vorgesehenen Akkus.** Der Gebrauch von anderen Akkus kann zu Verletzungen und Brandgefahr führen.
- c. Halten Sie den nicht benutzten Akku fern von Büroklammern, Münzen, Schlüsseln, Nägeln, Schrauben oder anderen kleinen Metallgegenständen, die eine Überbrückung der Kontakte verursachen könnten.** Ein Kurzschluss zwischen den Akkukontakten kann Verbrennungen oder Feuer zur Folge haben.
- d. Bei falscher Anwendung kann Flüssigkeit aus dem Akku austreten. Vermeiden Sie den Kontakt damit. Bei unbeabsichtigtem Kontakt mit Wasser abspülen. Gelangt die Flüssigkeit in die Augen, ziehen Sie außerdem ärztliche Hilfe hinzu.** Austretende Batterieflüssigkeit kann zu Hautreizungen oder Verbrennungen führen.
- 6. Service**
- a. Lassen Sie Ihr Gerät nur von qualifiziertem Fachpersonal und nur mit Original-Ersatzteilen reparieren.** Damit wird gewährleistet, daß die Sicherheit des Geräts erhalten bleibt.

Zusätzliche Warnhinweise zur Sicherheit von Elektrowerkzeugen



Achtung! Zusätzliche Warnhinweise zur Sicherheit für Bohrmaschinen und Schlagbohrmaschinen

- ◆ **Tragen Sie bei Schlagbohrmaschinen einen Gehörschutz.** Lärm kann Gehörschäden verursachen.
- ◆ **Verwenden Sie die im Lieferumfang des Werkzeugs enthaltenen Zusatzhandgriffe.** Ein Kontrollverlust kann Personenverletzungen verursachen.
- ◆ **Halten Sie das Elektrowerkzeug an den isolierten Griffflächen, wenn Arbeiten durchgeführt werden, bei denen das Schneidezubehör versteckte Leitungen oder die eigene Anschlußleitung berühren könnte.** Schneidezubehöerteil, das eine spannungsführende Leitung berühren, setzen die freiliegenden Metallteile des Geräts unter Spannung und der Benutzer erleidet einen Stromschlag.
- ◆ **Verwenden Sie Zwingen oder ähnliche Mittel, um das Werkstück auf einer stabilen Plattform zu halten und zu sichern.** Falls das Werkstück mit der Hand oder gegen den Körper gehalten wird, bleibt es instabil und Sie können die Kontrolle verlieren.
- ◆ Informieren Sie sich vor dem Bohren in Wände, Böden und Decken über den genauen Verlauf von Leitungen und Rohren.
- ◆ Vermeiden Sie eine Berührung der Spitze eines Bohrers kurz nach dem Bohren, da sie heiß sein kann.
- ◆ Dieses Gerät darf nicht von Personen (einschließlich Kindern) mit eingeschränkten körperlichen, sensorischen oder geistigen Fähigkeiten verwendet werden.

Auch darf es nicht von Personen verwendet werden, die keine Erfahrung mit dem Gerät oder Kenntnis darüber haben, es sei denn, sie stehen beim Gebrauch unter der Aufsicht und Anleitung einer für deren Sicherheit verantwortlichen Person. Kinder müssen beaufsichtigt werden, um sicherzustellen, daß sie nicht mit dem Gerät spielen.

- ◆ Die bestimmungsgemäße Verwendung ist in dieser Bedienungsanleitung beschrieben. Das Verwenden anderer als der in dieser Anleitung empfohlenen Anbaugeräte und Zubehörteile oder die Ausführung von Arbeiten mit diesem Gerät, die nicht der bestimmungsgemäßen Verwendung entsprechen, kann zu Unfallgefahren und/oder Sachschäden führen.



Verbrennen Sie den Akku nicht.



Versuchen Sie nie, einen beschädigten Akku zu laden!

Ladegeräte

- ◆ Verwenden Sie Ihr Black & Decker Ladegerät nur zum Laden von Akkus des im Lieferumfang enthaltenen Typs. Andere Akkus könnten platzen und Sach- und Personenschäden verursachen.
- ◆ Versuchen Sie nie, nicht aufladbare Batterien zu laden.
- ◆ Lassen Sie beschädigte Leitungen sofort austauschen.
- ◆ Setzen Sie das Ladegerät niemals Nässe aus.
- ◆ Öffnen Sie das Ladegerät nicht.
- ◆ Fassen Sie nicht mit den Fingern oder irgendwelchen Gegenständen in das Ladegerät.



Das Ladegerät ist ausschließlich für den Gebrauch in geschlossenen Räumen vorgesehen.

Vibrationen

Die angegebenen Vibrationswerte in den Technischen Daten und der Konformitätserklärung wurden gemäß einer standardisierten und durch EN 60745 festgelegten Prüfmethode gemessen und können herangezogen werden, um ein Werkzeug mit einem anderen zu vergleichen. Der angegebene Vibrationswert kann auch für eine vorläufige Einstufung der Freisetzung herangezogen werden.

Achtung! Der Vibrationswert beim eigentlichen Gebrauch des Elektrowerkzeugs kann vom angegebenen Wert abweichen. Dies hängt davon ab, auf welche Weise das Werkzeug verwendet wird. Der Vibrationswert kann über den angegebenen Wert hinaus ansteigen.

Bei der Einstufung der Vibrationen zur Festlegung der von 2002/44/EG geforderten Sicherheitsmaßnahmen zum Schutz von Personen, die beruflich regelmäßig mit Elektrowerkzeugen arbeiten, muß eine Vibrationseinstufung die tatsächlichen Gebrauchsbedingungen und die Art und Weise berücksichtigen, wie das Werkzeug verwendet wird. Auch müssen alle Aspekte des Arbeitszyklus berücksichtigt werden, wie beispielsweise die Zeiten, in denen das Werkzeug aus- und eingeschaltet ist und im Leerlauf läuft.

Schilder auf dem Gerät

Es befinden sich folgende Bildzeichen auf dem Gerät:



Achtung! Um die Verletzungsgefahr zu verringern, muß der Benutzer die Bedienungsanleitung lesen.

Zusätzliche Sicherheitsanweisungen für Akku und Ladegeräte

Akkus

- ◆ Versuchen Sie auf keinen Fall, eine Batterie zu öffnen.
- ◆ Setzen Sie den Akku keiner Nässe aus.
- ◆ Setzen Sie den Akku keiner Hitze aus.
- ◆ Nicht an einem Ort aufbewahren, wo die Temperatur 40 °C überschreiten kann.
- ◆ Nur bei Umgebungstemperaturen zwischen 10 °C und 40 °C aufladen.
- ◆ Laden Sie den Akku nur mit dem im Lieferumfang enthaltenen Ladegerät.
- ◆ Befolgen Sie bei der Entsorgung von Batterien die Anweisungen im Abschnitt "Umweltschutz".
- ◆ Unter extremen Einsatzbedingungen kann Batterieflüssigkeit austreten. Wenn sich Flüssigkeit auf dem Akku befindet, gehen Sie folgendermaßen vor:
 - Wischen Sie die Flüssigkeit mit Hilfe eines Lappens vorsichtig von der Batterie. Vermeiden Sie eine Berührung mit der Haut.
 - Falls die Flüssigkeit doch mit der Haut oder den Augen in Berührung kommen sollte, befolgen Sie die folgenden Hinweise.

Achtung! Die Akkuflüssigkeit, eine 25 bis 30% starke Kaliumhydroxidlösung, kann schädlich sein. Falls die Lösung mit der Haut in Berührung kommt, spülen Sie sofort mit reichlich Wasser. Neutralisieren Sie die Lösung mit einer milden Säure wie Zitronensaft oder Essig. Falls die Lösung mit den Augen in Berührung kommt, spülen Sie mindestens 10 Minuten lang mit reichlich klarem Wasser. Wenden Sie sich an einen Arzt.



Feuergefahr! Vermeiden Sie, daß Metallteile die Anschlüsse eines nicht am Gerät befindlichen Akkus kurzschließen (z.B. wenn Sie einen Akku im Werkzeugkasten aufbewahren).

Elektrische Sicherheit



Ihr Ladegerät ist schutzisoliert, daher ist keine Erdleitung erforderlich. Überprüfen Sie immer, ob die Netzspannung mit der Spannung auf der Datenplakette übereinstimmt. Tauschen Sie das Ladegerät auf keinen Fall gegen einen Netzstecker aus.

- ◆ Falls das Netzkabel beschädigt ist, so ist es vom Hersteller oder einem autorisierten Black & Decker Service Center auszutauschen, um Gefahren vorzubeugen.

Merkmale

Dieses Gerät weist einige oder alle der folgenden Merkmale auf.

1. Drehzahl-Regelschalter oder zweistufiger Ein-/Ausschalter
2. Rechts-/Linkslaufschalter
3. Betriebsart-Wahlschalter/Drehmoment-Einstellung
4. Spannfutter
5. Akku
6. Akku-Löseknopf

Abb. D & E

7. Ladegerät
8. Ladestation
9. Anschlußbuchse für Ladegerät
10. Ladegerätstecker

Montage

Achtung! Nehmen Sie vor der Montage den Akku vom Gerät.

Anbringen und Entfernen des Akkus (Abb. A)

- ◆ Um den Akku (5) anzubringen, richten Sie ihn mit der Aufnahme am Gerät aus. Schieben Sie den Akku in die Aufnahme und drücken Sie, bis er einrastet.
- ◆ Um den Akku zu entfernen, drücken Sie beide Löseknöpfe (6) gleichzeitig und ziehen Sie den Akku aus der Aufnahme heraus.

Anbringen und Entfernen eines Bohrers oder einer Schrauber Klinge (Abb. B)

Achtung! Entfernen Sie zuerst den Akku vom Gerät.

Dieses Werkzeug ist mit einem Schnellspannfutter ausgestattet, das ein leichtes und schnelles Austauschen von Bohrern und Schrauberkingen ermöglicht.

- ◆ Sperren Sie das Werkzeug, indem Sie den Rechts-/ Linkslaufschalter (2) in die mittlere Stellung schieben.
- ◆ Öffnen Sie das Bohrfutter, indem Sie den vorderen Teil (11) mit der einen Hand aufdrehen, während Sie den hinteren Teil (12) mit der anderen Hand festhalten (Abb. B).
- ◆ Stecken Sie den Schaft (17) des Bohrers bzw. der Schrauber Klinge in das Bohrfutter.

- ◆ Ziehen Sie das Bohrfutter fest, indem Sie den vorderen Teil (11) mit der einen Hand zudrehen, während Sie den hinteren Teil (12) mit der anderen Hand festhalten.

Entfernen und Anbringen des Bohrfutters (Abb. C)

- ◆ Öffnen Sie das Spannfutter vollständig.
- ◆ Entfernen Sie die Bohrfuttersicherungsschraube, indem Sie sie mit einem Schraubendreher im Uhrzeigersinn drehen.
- ◆ Spannen Sie einen Innensechskantschlüssel (14) in das Spannfutter ein, und schlagen Sie wie angegeben mit einem Hammer auf den Innensechskantschlüssel.
- ◆ Entfernen Sie den Innensechskantschlüssel.
- ◆ Entfernen Sie das Spannfutter, indem Sie es gegen den Uhrzeigersinn drehen.
- ◆ Um das Spannfutter wieder anzubringen, schrauben Sie es auf die Spindel, und sichern Sie es mit der Spannfutter-Sicherungsschraube.

Gebrauch

Achtung! Beschleunigen Sie den Arbeitsvorgang nicht mit Gewalt. Vermeiden Sie eine Überlastung des Gerätes.

Laden des Akkus

Der Akku ist zu laden, bevor Sie das Akku-Gerät zum ersten Mal benutzen sowie wenn die Leistung des Akku-Geräts spürbar nachläßt. Wenn der Akku zum ersten Mal oder nach längerer Lagerung geladen wird, wird er nur 80% der Nennkapazität erreichen. Erst nach mehreren Lade- und Entladezyklen wird der Akku die volle Kapazität erreichen. Während des Ladens kann sich der Akku erwärmen. Dies deutet nicht auf irgendein Problem hin.

Achtung! Laden Sie den Akku nicht bei einer Umgebungstemperatur unter 4 °C oder über 40 °C. Empfohlene Ladetemperatur: zirka 24 °C.

Ladegerät mit Ladestation (Abb. D)

- ◆ Um den Akku (5) zu laden, entfernen Sie ihn vom Gerät, und setzen Sie ihn in die Ladestation (8). Der Akku läßt sich nur in einer Stellung in die Ladestation einsetzen. Wenden Sie keine Gewalt an. Vergewissern Sie sich, daß der Akku vollständig in die Ladestation eingesetzt ist.
 - ◆ Stecken Sie das Ladegerät in die Steckdose.
- Bei normalem Gebrauch liefert eine Ladezeit von 3 Stunden für die meisten Einsätze ausreichend Energie. Je nach Zustand des Akkus und den Ladebedingungen kann eine weitere Ladezeit von bis zu 6 Stunden die Einsatzzeit jedoch beträchtlich erhöhen.
- ◆ Entfernen Sie den Akku vom Ladegerät.

Ladegerät ohne Ladestation (Abb. E)

- ◆ Um die Batterie zu laden, stellen Sie sicher, daß Sie am Bohrschrauber angebracht ist.
- ◆ Stecken Sie den Stecker des Ladegeräts (10) in die Buchse (9).
- ◆ Stecken Sie das Ladegerät in die Steckdose.

Bei normalem Gebrauch liefert eine Ladezeit von 3 Stunden für die meisten Einsätze ausreichend Energie. Je nach Zustand des Akkus und den Ladebedingungen kann eine weitere Ladezeit von bis zu 6 Stunden die Einsatzzeit jedoch beträchtlich erhöhen.

- ◆ Trennen Sie das Werkzeug vom Ladegerät.

Achtung! Verwenden Sie das Werkzeug nicht, während es am Ladegerät angeschlossen ist.


Wahl der Laufrichtung

Zum Bohren sowie zum Eindrehen von Schrauben verwenden Sie den Rechtslauf (im Uhrzeigersinn). Zum Lösen von Schrauben sowie zum Lösen eines festsitzenden Bohrers verwenden Sie den Linkslauf (gegen den Uhrzeigersinn).

- ◆ Für Rechtslauf schieben Sie den Rechts-/Linkslaufschalter (2) nach links.
- ◆ Für Linkslauf schieben Sie den Rechts-/Linkslaufschalter nach rechts.
- ◆ Um das Werkzeug zu sperren, schieben Sie den Rechts-/Linkslaufschalter in die Mittelstellung.

Wahl der Betriebsart bzw. des Drehmoments (Abb. F)

Dieses Gerät ist mit einem Drehring zur Einstellung der Betriebsart und zur Einstellung des Drehmoments beim Eindrehen von Schrauben ausgestattet. Große Schrauben und harte Werkstücke erfordern eine höhere Einstellung des Drehmoments als kleine Schrauben und weiche Werkstücke. Der Ring hat einen großen Einstellbereich, um Ihrem Einsatz gerecht zu werden.

- ◆ Zum Bohren in Holz, Metall und Kunststoff drehen Sie den Ring (3) in die Bohrstellung, indem Sie das Symbol  mit der Markierung (15) ausrichten.
- ◆ Zum Schrauben drehen Sie den Ring in die gewünschte Stellung. Falls Sie die richtige Einstellung noch nicht kennen, gehen Sie folgendermaßen vor:
 - Stellen Sie den Ring (3) in die Stellung mit dem geringsten Drehmoment.
 - Ziehen Sie die erste Schraube fest.
 - Falls die Kupplung zu schnell auskuppelt, stellen Sie den Ring auf einen größeren Wert ein und setzen Sie den Schraubvorgang fort. Wiederholen Sie diese Methode, bis Sie den richtigen Wert gefunden haben. Verwenden Sie diesen Wert für die anderen Schrauben.

Ein- und Ausschalten

Drehzahl-Regelschalter

- ◆ Um das Gerät einzuschalten, drücken Sie auf den Drehzahl-Regelschalter (1). Je tiefer Sie den Schalter drücken, umso höher ist die Drehzahl des Geräts.
- ◆ Um das Gerät auszuschalten, lassen Sie den Geschwindigkeitsregelschalter los.

Zweistufiger Ein-/Ausschalter

- ◆ Um das Werkzeug einzuschalten, drücken Sie auf den Ein-/Ausschalter (1). Bei nur leichtem Druck auf den Schalter läuft das Gerät mit langsamer Drehzahl. Bei weiterem Druck auf den Schalter läuft das Gerät mit schneller Drehzahl.
- ◆ Um das Gerät auszuschalten, lassen Sie den Geschwindigkeitsregelschalter los.

Hinweise für optimale Arbeitsergebnisse

Bohren

- ◆ Üben Sie immer einen leichten Druck in Richtung der Bohrerspitze aus.
- ◆ Sobald Sie spüren, daß das Werkstück fast durchbohrt ist, reduzieren Sie schrittweise den Druck auf die Bohrerspitze, bis der Bohrvorgang beendet ist.
- ◆ Beim Bohren in Materialien, die leicht splintern oder ausreißen, sollten Sie einen Holzklötzchen hinter Ihr Werkstück legen.
- ◆ Verwenden Sie zum Bohren größerer Löcher in Holz einen Flachbohrer.
- ◆ Verwenden Sie zum Bohren in Metall HSS-Bohrer.
- ◆ Verwenden Sie zum Bohren in weiches Mauerwerk Steinbohrer.
- ◆ Verwenden Sie beim Bohren in andere Metalle als Gußeisen und Messing ein Schmiermittel.
- ◆ Markieren Sie die Bohrstelle mit Hilfe eines Bohrkörners, um ein positionsgenaues Bohren zu gewährleisten.

Schrauben

- ◆ Verwenden Sie immer ein Schraubendreher-Bit des richtigen Typs und in der richtigen Größe.
- ◆ Falls sich Schrauben schwer eindrehen lassen, tragen Sie etwas Spülmittel oder Seife als Schmiermittel an der Schraube auf.
- ◆ Halten Sie das Werkzeug und das Schraubendreher-Bit immer in einer geraden Linie mit der Schraube.

Wartung

Ihr Black & Decker Gerät wurde im Hinblick auf eine lange Lebensdauer und einen möglichst geringen Wartungsaufwand entwickelt. Ein dauerhafter, einwandfreier Betrieb setzt eine regelmäßige Reinigung voraus.

Ihr Ladegerät bedarf keinerlei Wartung außer einer regelmäßigen Reinigung.

Achtung! Bevor Sie irgendwelche Wartungsarbeiten vornehmen, entfernen Sie den Akku vom Akku-Gerät. Ziehen Sie den Netzstecker des Ladegerätes aus der Steckdose, bevor Sie es reinigen.

- ◆ Reinigen Sie regelmäßig die Lüftungsschlitze im Gerät und Ladegerät mit Hilfe einer weichen Bürste oder eines trockenen Tuches.
- ◆ Reinigen Sie regelmäßig das Motorgehäuse mit Hilfe eines feuchten Tuches. Verwenden Sie keine scheuernden Reinigungsmittel oder Reinigungsmittel auf Lösungsmittelbasis.
- ◆ Reinigen Sie regelmäßig das Spannfutter, indem Sie es öffnen und durch leichtes Klopfen Staub aus dem Inneren entfernen.

Umweltschutz



Getrennte Entsorgung. Dieses Produkt darf nicht über den normalen Hausmüll entsorgt werden.

Sollte Ihr Black & Decker Produkt eines Tages erneuert werden müssen, oder falls Sie es nicht weiter verwenden wollen, so darf es nicht über den Hausmüll entsorgt werden. Stellen Sie dieses Produkt zur getrennten Entsorgung bereit.



Durch die getrennte Entsorgung gebrauchter Produkte und Verpackungen können die Materialien recycelt und wiederverwertet werden. Die Wiederverwertung recycelter Materialien schont die Umwelt und verringert die Nachfrage nach Rohstoffen.

Die regionalen Bestimmungen schreiben unter Umständen die getrennte Entsorgung elektrischer Produkte aus dem Haushalt an Sammelstellen oder seitens des Händlers vor, bei dem Sie das neue Produkt erworben haben.

Black & Decker nimmt Ihre ausgedienten Black & Decker Geräte gern zurück und sorgt für eine umweltfreundliche Entsorgung und Wiederverwertung. Um diesen Dienst zu nutzen, schicken Sie bitte Ihr Produkt zu einer Vertragswerkstatt. Hier wird es dann auf unsere Kosten gesammelt.

Die Adresse der zuständigen Black & Decker Vertretung steht in diesem Handbuch, darüber lässt sich die nächstgelegene Vertragswerkstatt ermitteln. Außerdem ist eine Liste der Vertragswerkstätten und aller Kundendienststellen von Black & Decker sowie der zuständigen Ansprechpartner im Internet zu finden unter: www.2helpU.com

Akkus



Black & Decker Akkus lassen sich viele Male wiederaufladen. Entsorgen Sie eine leere Batterie am Ende ihrer Lebensdauer auf umweltgerechte Weise:

- ◆ Entladen Sie die Batterie vollständig, und entfernen Sie sie anschließend aus dem Werkzeug.
- ◆ NiCd-, NiMH- und Li-Ion-Akkus sind wiederverwertbar. Bringen Sie sie zu einer Vertragswerkstatt oder einer Recycling-Station in Ihrer Nähe.

Technische Daten

		CD12	CD112	CD96
Spannung	V _{DC}	12	12	9,6
Leerlaufdrehzahl	min ⁻¹	700	700	700
Max. Drehmoment	Nm	8	8	7,5
Spannfutterweite	mm	10	10	10
Max. Bohrkapazität				
Stahl	mm	10	10	10
Holz	mm	25	25	25
Gewicht	kg	0,9	0,9	0,7

		CD14	CD18
Spannung	V _{DC}	14,4	18
Leerlaufdrehzahl	min ⁻¹	750	850
Max. Drehmoment	Nm	12,5	13
Spannfutterweite	mm	10	10
Max. Bohrkapazität			
Stahl	mm	10	10
Holz	mm	25	25
Gewicht	kg	1,01	1,03

		KC12GT	KC14GT
Spannung	V _{DC}	12	14,4
Leerlaufdrehzahl	min ⁻¹	700	750
Max. Drehmoment	Nm	8	12,5
Spannfutterweite	mm	10	10
Max. Bohrkapazität			
Stahl	mm	10	10
Holz	mm	25	25
Gewicht	kg	0,9	1,01

Akku	A9251	A9252	A9262
Spannung	V _{DC} 9,6	12	14,4
Kapazität	Ah 1,3	1,0	1,2
Gewicht	kg 0,365	0,5	0,7

Akku	A9272	A9282
Spannung	V _{DC} 9,6	18
Kapazität	Ah 1,5	1,2
Gewicht	kg 0,465	0,73

Ladegerät

Netzspannung	V _{AC} 220-240
Ladezeit (zirka)	Std. 3

EG-Konformitätserklärung

CD12/CD112/CD96/CD14/CD18/KC12GT/KC14GT

Black & Decker erklärt, daß diese Produkte folgende

Konformität erfüllen:

98/37/EG, EN 60745

Höhe des Schalldrucks gemäß EN 60745:

Schalldruck (L_{pA}) 68 dB(A), Unsicherheitsfaktor (K) 3 dB(A)

Schallleistung (L_{WA}) 79 dB(A),

Unsicherheitsfaktor (K) 3 dB(A)

Gesamtvibrationswerte (Triax-Vektorsumme) gemäß

EN 60745:

Bohren in Metall (a_{n,D}) < 2,5 m/s²,

Unsicherheitsfaktor (K) 1,5 m/s²

Schlagloses Schrauben (a_{n,S}) < 2,5 m/s²,

Unsicherheitsfaktor (K) 1,5 m/s²



Kevin Hewitt

Director of Consumer Engineering

Spennymoor, County Durham DL16 6JG,

Vereinigtes Königreich

5-2-2008

Tritt innerhalb von 24 Monaten ab Kaufdatum an einem Gerät von Black & Decker ein auf Material- oder Verarbeitungsfehler zurückzuführender Mangel auf, garantiert Black & Decker den Austausch defekter Teile, die Reparatur von Geräten mit üblichem Verschleiß bzw. den Austausch eines mangelhaften Geräts, ohne den Kunden dabei mehr als unbedingt nötig in Anspruch zu nehmen, allerdings vorbehaltlich folgender Ausnahmen:

- ◆ wenn das Gerät gewerblich, beruflich oder im Verleihgeschäft benutzt wurde;
- ◆ wenn das Gerät mißbräuchlich verwendet oder mit mangelnder Sorgfalt behandelt wurde;
- ◆ wenn das Gerät durch irgendwelche Fremdeinwirkung beschädigt wurde;
- ◆ wenn ein unbefugter Reparaturversuch durch anderes Personal als das einer Vertragswerkstatt oder des Black & Decker-Kundendienstes unternommen wurde.

Zur Inanspruchnahme dieser Garantie ist dem Verkäufer bzw. der Vertragswerkstatt ein Kaufnachweis vorzulegen. Der Kaufnachweis muß Kaufdatum und Gerätetyp bescheinigen. Die Adresse des zuständigen Büros von Black & Decker steht in dieser Anleitung, darüber läßt sich die nächstgelegene Vertragswerkstatt ermitteln. Außerdem ist eine Liste der Vertragswerkstätten und aller Kundendienststellen von Black & Decker sowie der zuständigen Ansprechpartner im Internet zu finden unter: www.2helpU.com

Bitte besuchen Sie unsere Webseite www.blackanddecker.de, um Ihr neues Black & Decker Produkt zu registrieren und über neue Produkte und Sonderangebote aktuell informiert zu werden. Weitere Informationen über die Marke Black & Decker und unsere Produkte finden Sie unter www.blackanddecker.de

Garantie

Black & Decker vertraut auf die Qualität der eigenen Geräte und bietet dem Käufer eine außergewöhnliche Garantie.

Diese Garantiezusage versteht sich unbeschadet der gesetzlichen Gewährleistungsansprüche und schränkt diese keinesfalls ein. Sie gilt in sämtlichen Mitgliedsstaaten der Europäischen Union und der Europäischen Freihandelszone EFTA.

Utilisation prévue

Votre perceuse / tournevis Black & Decker a été conçue pour la pose de vis et pour le perçage du bois, du métal et des matières plastiques. Cet outil a été conçu pour une utilisation exclusivement domestique.

Instructions de sécurité

Consignes de sécurité générales pour les outils électriques



Attention ! Prenez connaissance de tous les avertissements de sécurité et de toutes les instructions. Le non-respect des avertissements et des instructions indiqués ci-dessous peut entraîner une électrocution, un incendie ou de graves blessures.

Conservez tous les avertissements et instructions pour référence future. La notion d'« outil électroportatif » mentionnée par la suite se rapporte à des outils électriques raccordés au secteur (avec câble de raccordement) ou fonctionnant sur piles (sans fil).

1. Sécurité de la zone de travail

- a. **Maintenez la zone de travail propre et bien éclairée.** Un lieu de travail en désordre ou mal éclairé augmente le risque d'accidents.
- b. **N'utilisez pas les outils électroportatifs dans un environnement présentant des risques d'explosion ni en présence de liquides, gaz ou poussières inflammables.** Les outils électroportatifs génèrent des étincelles risquant d'enflammer les poussières ou les vapeurs.
- c. **Tenez les enfants et autres personnes éloignés durant l'utilisation de l'outil électroportatif.** En cas d'inattention, vous risquez de perdre le contrôle sur l'outil.

2. Sécurité électrique

- a. **La fiche de secteur de l'outil électroportatif doit convenir à la prise de courant. Ne modifiez en aucun cas la fiche. N'utilisez pas de fiches d'adaptateur avec des outils ayant une prise de terre.** Les fiches non modifiées et les prises de courant appropriées réduisent le risque d'électrocution.
- b. **Évitez le contact physique avec des surfaces mises à la terre telles que tuyaux, radiateurs, fours et réfrigérateurs.** Il y a un risque élevé d'électrocution si votre corps est relié à la terre.
- c. **N'exposez pas l'outil électroportatif à la pluie ni à l'humidité.** La pénétration d'eau dans un outil électroportatif augmente le risque d'électrocution.

- d. **Préservez le câble d'alimentation. N'utilisez pas le câble à d'autres fins que celles prévues, notamment pour porter l'outil, l'accrocher voire le débrancher de la prise de courant. Maintenez le câble éloigné des sources de chaleur, des parties grasses, des bords tranchants ou des parties de l'outil en rotation.** Un câble endommagé ou enchevêtré augmente le risque d'électrocution.
 - e. **Si vous utilisez l'outil électroportatif à l'extérieur, utilisez une rallonge homologuée pour utilisation à l'air libre.** L'utilisation d'une rallonge électrique homologuée pour les applications extérieures réduit le risque d'électrocution.
 - f. **Si l'usage d'un outil dans un emplacement humide est inévitable, utilisez une alimentation protégée par un dispositif à courant différentiel résiduel (RCD).** L'usage d'un RCD réduit le risque de choc électrique.
- #### 3. Sécurité personnelle
- a. **Restez vigilant, surveillez ce que vous faites. Faites preuve de bon sens quand vous utilisez l'outil électroportatif. N'utilisez pas l'outil lorsque vous êtes fatigué ou après avoir consommé de l'alcool, des drogues voire des médicaments.** Un moment d'inattention lors de l'utilisation de l'outil peut entraîner de graves blessures.
 - b. **Utilisez un équipement de protection personnelle. Portez toujours une protection pour les yeux.** Les équipements de protection personnelle tels que les masques anti-poussières, chaussures de sécurité antidérapantes, casques ou protections acoustiques utilisés dans des conditions appropriées réduisent les blessures.
 - c. **Évitez toute mise en marche involontaire. Vérifiez que l'interrupteur est en position arrêté avant de brancher l'outil au secteur ou au bloc de batteries, de le prendre ou de le porter.** Transporter les outils en avec le doigt sur l'interrupteur ou les brancher avec l'interrupteur en position de marche est une source d'accidents.
 - d. **Enlevez tout outil ou clé de réglage avant de mettre l'outil en marche.** Une clé ou un outil se trouvant sur une partie en rotation peut causer des blessures.
 - e. **Adoptez une position confortable. Adoptez une position stable et gardez votre équilibre à tout moment.** Vous contrôlerez mieux l'outil dans des situations inattendues.
 - f. **Portez des vêtements appropriés. Ne portez pas de vêtements flottants ou de bijoux. N'approchez pas les cheveux, vêtements ou gants des parties des pièces mobiles.** Les vêtements amples, les bijoux ou les cheveux longs peuvent être attrapés dans les pièces en mouvement.

- g. Si des dispositifs servant à aspirer ou à recueillir les poussières doivent être utilisés, vérifiez qu'ils sont correctement raccordés et utilisés.** Le fait d'aspirer la poussière permet de réduire les risques inhérents à la poussière.
- 4. Utilisation des outils électroportatifs et précautions**
- a. Ne surchargez pas l'outil. Utilisez l'outil électroportatif approprié pour le travail à effectuer.** Avec l'outil électroportatif approprié, vous travaillerez mieux et avec plus de sécurité à la vitesse pour laquelle il a été conçu.
- b. N'utilisez pas un outil électroportatif dont l'interrupteur est défectueux.** Un outil électroportatif qui ne peut plus être mis en ou hors fonctionnement est dangereux et doit être réparé.
- c. Déconnectez la prise de la source d'alimentation ou le pack-batterie de l'outil électrique avant tout réglage, changement d'accessoire voire rangement des outils électriques.** Cette mesure de précaution empêche une mise en marche par mégarde.
- d. Rangez les outils électroportatifs hors de portée des enfants. Ne laissez pas les personnes n'étant pas familiarisées avec l'outil ou n'ayant pas lu ces instructions l'utiliser.** Les outils électroportatifs sont dangereux lorsqu'ils sont utilisés par des personnes non initiées.
- e. Prenez soin des outils électroportatifs. Vérifiez que les parties en mouvement fonctionnent correctement et qu'elles ne sont pas coincées ; vérifiez qu'il n'y a pas de pièces cassées ou endommagées susceptibles de nuire au bon fonctionnement de l'outil. S'il est endommagé, faites réparer l'outil avant de l'utiliser.** De nombreux accidents sont dus à des outils électroportatifs mal entretenus.
- f. Maintenez les outils de coupe aiguisés et propres.** Des outils soigneusement entretenus avec des bords tranchants bien aiguisés se coincent moins souvent et peuvent être guidés plus facilement.
- g. Utilisez l'outil électrique, les accessoires et forets, etc. conformément à ces instructions, en tenant compte des conditions de travail et des tâches à effectuer.** L'utilisation des outils électroportatifs à d'autres fins que celles prévues peut entraîner des situations dangereuses.
- 5. Utilisation des outils à batterie et précautions**
- a. Rechargez la batterie uniquement avec le chargeur spécifié par le fabricant.** Un chargeur prévu pour un type de batterie présente un risque d'incendie s'il est utilisé avec un autre type de batterie.
- b. Utilisez les outils électroportatifs uniquement avec les batteries spécifiquement conçues pour eux.** L'utilisation d'autres batteries peut comporter un risque de blessures ou d'incendie.
- c. Quand vous ne l'utilisez pas, rangez la batterie loin d'autres objets métalliques tels que trombones, pièces, clous, vis ou autres pouvant créer une connexion entre deux bornes.** Court-circuiter les bornes du pack-batteries peut provoquer des brûlures ou un incendie.
- d. Dans des conditions inappropriées, la batterie peut rejeter du liquide. Évitez le contact. Si un contact accidentel se produit, rincez à l'eau. Si le liquide touche les yeux, consultez un médecin.** Le liquide rejeté par la pile peut causer une irritation cutanée ou des brûlures.
- 6. Réparations**
- a. Faites réparer votre outil électroportatif uniquement par du personnel qualifié et seulement avec des pièces de rechange d'origine.** Cela garantira le maintien de la sécurité de votre outil.

Avertissements de sécurité supplémentaires pour les outils électriques



Attention ! Avertissements de sécurité supplémentaires pour les perceuses et perceuses à percussion

- ◆ **Portez une protection auditive avec les perceuses à percussion.** L'exposition au bruit peut causer des pertes de l'audition.
- ◆ **Utilisez les poignées additionnelles fournies avec l'outil.** Une perte de contrôle peut provoquer des blessures.
- ◆ **Tenez l'outil uniquement par les surfaces isolées des poignées si l'opération effectuée peut mettre la lame en contact avec des câbles électriques cachés ou son propre cordon électrique.** Le contact de l'accessoire de coupe avec un câble sous tension met les parties métalliques de l'outil sous tension et peut provoquer une électrocution de l'utilisateur.
- ◆ **Utilisez des fixations ou tout autre moyen pratique pour fixer et soutenir la pièce à ouvrir sur une plate-forme stable.** Si vous tenez la pièce à la main ou contre votre corps, elle est instable et vous pouvez en perdre le contrôle.
- ◆ **Avant de percer les murs, les planchers ou les plafonds, vérifiez l'emplacement des fils électriques et des tuyaux.**
- ◆ **Évitez de toucher l'extrémité d'un foret juste après avoir percé car il peut être chaud.**
- ◆ **Cet outil n'est pas destiné à être utilisé par des personnes (notamment des enfants) présentant des capacités physiques, sensorielles ou mentales limitées voire dépourvues de connaissance et d'expérience, sauf si elles sont supervisées ou ont reçu des instructions pour l'usage de l'appareil par une personne responsable de leur sécurité.** Les enfants ne doivent pas jouer avec l'appareil.

- ◆ Le domaine d'utilisation de l'outil est décrit dans le présent manuel. L'utilisation d'accessoires ou la réalisation d'opérations avec cet outil autres que ceux recommandés dans le présent manuel peut entraîner un risque de blessure ou de dégâts.

Instructions de sécurité supplémentaires pour les batteries et chargeurs

Batteries

- ◆ Ne tentez jamais d'ouvrir pour quelque raison que ce soit.
- ◆ N'exposez pas la batterie à l'humidité.
- ◆ N'exposez pas la batterie à la chaleur.
- ◆ Ne stockez pas dans des endroits où la température peut dépasser 40 °C.
- ◆ Chargez uniquement à température ambiante, entre 10 °C et 40 °C.
- ◆ Chargez uniquement en utilisant le chargeur fourni avec l'outil.
- ◆ Lorsque vous jetez des batteries, suivez les instructions données à la section « Protection de l'environnement ».
- ◆ Dans des conditions extrêmes, une pile peut fuir. Si vous remarquez que la batterie a coulé, procédez comme suit :
 - Essayez soigneusement le liquide à l'aide d'un chiffon. Évitez le contact avec la peau.
 - En cas de contact avec la peau ou les yeux, suivez les instructions ci-dessous.

Attention ! Le liquide de la batterie, une solution d'hydroxyde de potassium à 25-30%, est toxique. En cas de contact avec la peau, rincez abondamment à l'eau. Neutralisez avec un acide doux tel que du citron ou du vinaigre. En cas de contact avec les yeux, rincez abondamment à l'eau au moins pendant 10 minutes. Consultez un médecin.



Risque d'incendie! Eviter toute possibilité de court-circuit au niveau des contacts d'une batterie (exemple: porter des clés dans la même poche qu'une batterie).



N'incinerez pas la batterie.



Ne chargez pas une batterie endommagée.

Chargeurs

- ◆ Utilisez uniquement votre chargeur Black & Decker pour charger les batteries fournies avec votre outil ou de même type et modèle. D'autres batteries pourraient exploser et causer des dommages ou blessures.
- ◆ Ne tentez jamais de charger des batteries non rechargeables.

- ◆ Remplacez immédiatement les fils électriques défectueux.
- ◆ Ne mettez pas le chargeur en contact avec de l'eau.
- ◆ N'ouvrez pas le chargeur.
- ◆ Ne testez pas le chargeur.



Le chargeur a été conçu pour être utilisé uniquement à l'intérieur.

Vibration

Les valeurs des émissions de vibrations mentionnées dans les données techniques et la déclaration de conformité ont été mesurées conformément à la méthode de test normalisée indiquée par EN 60745 et permettent les comparaisons entre outils. Les valeurs des émissions de vibrations peuvent également servir à une évaluation préliminaire de l'exposition.

Attention ! Les valeurs des émissions de vibrations en utilisant réellement l'outil peuvent différer des valeurs déclarées en fonction du mode d'usage de l'outil. Le niveau de vibration peut dépasser le niveau indiqué.

Pour évaluer l'exposition aux vibrations afin de déterminer les mesures de sécurité imposées par 2002/44/CE pour protéger les personnes utilisant régulièrement des outils électriques, une estimation de l'exposition aux vibrations devrait prendre en compte les conditions réelles et le mode d'utilisation de l'outil, notamment l'ensemble du cycle de fonctionnement ainsi l'arrêt de l'outil et son fonctionnement au ralenti, outre le démarrage.

Étiquettes apposées sur l'outil

Les pictogrammes suivants sont présents sur l'outil :



Attention ! Afin de réduire les risques de blessures, l'utilisateur doit lire le manuel d'instructions.

Sécurité électrique



Votre chargeur est doublement isolé ; par conséquent, aucun câble de masse n'est nécessaire. Vérifiez toujours que la tension du secteur correspond à la tension indiquée sur la plaque d'identification. Ne tentez jamais de remplacer le chargeur par une prise au secteur normale.

- ◆ Si le câble d'alimentation est endommagé, il doit être remplacé par le fabricant ou par un centre de réparation agréé Black & Decker afin d'éviter tout accident.

Caractéristiques

Cet outil comprend toutes ou certaines des caractéristiques suivantes.

1. Bouton de commande de vitesse variable ou bouton marche/arrêt à deux vitesses.
2. Sélecteur de rotation droite / gauche
3. Sélecteur de mode / bague de réglage du couple
4. Mandrin
5. Batterie
6. Bouton de déverrouillage de la batterie

Fig. D & E

7. Chargeur
8. Base de chargement
9. Connecteur pour chargeur
10. Prise de chargeur

Assemblage

Attention ! Avant l'assemblage, enlevez la batterie.

Installation et retrait de la batterie (fig. A)

- ◆ Pour mettre la batterie en place (5), alignez-la avec le boîtier sur l'outil. Faites glisser la batterie dans le boîtier et poussez jusqu'à ce qu'elle se mette en place avec un bruit sec.
- ◆ Pour retirer la batterie, appuyez simultanément sur les deux boutons de libération (6) tout en retirant la batterie du boîtier.

Installation et retrait d'un foret de perçage ou de vissage (fig. B)

Attention ! Retirez d'abord la batterie de l'outil.

Cet outil est équipé d'un mandrin sans clef pour vous permettre de changer les accessoires plus rapidement.

- ◆ Verrouillez l'outil en réglant le sélecteur de rotation droite / gauche (2) sur la position centrale.
- ◆ Ouvrez le mandrin en faisant tourner la partie avant (11) d'une main tout en tenant la partie arrière (12) de l'autre main (fig. B).
- ◆ Insérez la tige du foret (17) dans le mandrin.
- ◆ Serrez fermement le mandrin en tournant la partie avant (11) avec une main tout en tenant la partie arrière (12) avec l'autre.

Comment enlever et replacer le mandrin (fig. C)

- ◆ Ouvrez le mandrin jusqu'à son ouverture maximum.
- ◆ Enlevez la vis de serrage du mandrin en la faisant tourner dans le sens des aiguilles d'une montre à l'aide d'un tournevis.
- ◆ Placez une clé Allen (14) dans le mandrin et enfoncez-la avec un marteau comme indiqué.

- ◆ Enlevez la clé Allen.
- ◆ Enlevez le mandrin en le faisant tourner dans le sens anti-horaire.
- ◆ Pour replacer le mandrin, vissez-le sur l'arbre et serrez-le avec la vis de serrage.

Utilisation

Attention ! Laissez l'outil fonctionner à sa propre vitesse. Ne le surchargez pas.

Chargement de la batterie

La batterie a besoin d'être chargée avant la première utilisation et à chaque fois qu'elle ne produit pas une puissance suffisante pour des travaux facilement effectués auparavant. Lorsque vous chargez la batterie pour la première fois ou suite à une inutilisation prolongée, le chargement ne se fera qu'à 80%. Après plusieurs cycles de chargement et de déchargement, la batterie atteindra sa capacité totale. La batterie peut chauffer pendant le chargement ; cela est normal et n'indique pas de problème particulier.

Attention ! Ne chargez pas la batterie à une température ambiante inférieure à 4 °C ou supérieure à 40 °C.
Température de chargement recommandée : environ 24 °C.

Chargeur avec base de chargement (fig. D)

- ◆ Pour charger la batterie (5), retirez-la de l'outil et insérez-la dans la base du chargeur (8). La batterie ne rentrera dans le chargeur que d'une seule façon. Ne forcez pas. Assurez-vous que la batterie est complètement enclenchée dans le chargeur.
- ◆ Branchez le chargeur.

Après une utilisation normale, la batterie doit être mise en charge pendant environ 3 heures pour pouvoir être utilisée dans la plupart des applications. Toutefois, un temps de charge de 6 heures peut accroître considérablement la durée d'utilisation, en fonction de la batterie et des conditions de charge.

- ◆ Enlevez-la du chargeur.

Chargeur sans base de chargement (fig. E)

- ◆ Pour charger la batterie, assurez-vous qu'elle est bien installée sur la perceuse.
- ◆ Insérez la prise de chargeur (10) dans le connecteur (9).
- ◆ Branchez le chargeur.

Après une utilisation normale, la batterie doit être mise en charge pendant environ 3 heures pour pouvoir être utilisée dans la plupart des applications. Toutefois, un temps de charge de 6 heures peut accroître considérablement la durée d'utilisation, en fonction de la batterie et des conditions de charge.

- ◆ Débranchez l'outil du chargeur.

Attention ! Veillez à ne pas utiliser l'outil lorsqu'il est branché au chargeur.

Sélection du sens de rotation

Pour le perçage et le serrage des vis, utilisez la rotation vers l'avant (dans le sens horaire). Pour desserrer les vis ou enlever un foret de perçage coincé, utilisez la rotation vers l'arrière (dans le sens anti-horaire).

- ◆ Pour sélectionner la rotation vers l'avant, poussez le sélecteur de rotation droite / gauche (2) vers la gauche.
- ◆ Pour sélectionner la rotation vers l'arrière, poussez le sélecteur de rotation droite / gauche vers la droite.
- ◆ Pour verrouiller l'outil, réglez le sélecteur de rotation droite / gauche sur la position centrale.

Sélection du mode de fonctionnement (fig. F)

Cet outil est muni d'une bague servant à régler le mode de fonctionnement et le couple de serrage des vis. Les grosses vis et les matières d'œuvre rigides nécessitent un couple de serrage plus grand que les petites vis et les matières d'œuvre peu rigides. La bague possède une large gamme de réglages de manière à pouvoir répondre à vos besoins.

- ◆ Pour le perçage du bois, du métal et du plastique, placez la bague (3) sur la position de perçage en alignant le symbole 1 avec la marque (15).

- ◆ Pour le vissage, réglez la bague à la position désirée.

Si vous ne connaissez pas encore le bon réglage, procédez comme suit :

- Placez la bague (3) au réglage de couple le plus bas.
- Serrez la première vis.
- Si l'embrayage fait « clic » avant d'avoir obtenu le résultat désiré, augmentez le réglage de la bague et continuez à serrer la vis. Répétez jusqu'à obtenir le bon réglage. Utilisez ce réglage pour les vis restantes.

Démarrage et arrêt

Interrupteur à variateur de vitesse

- ◆ Pour allumer l'outil, appuyez sur l'interrupteur de vitesse variable (1). La vitesse de l'outil dépend de la force que vous exercez sur l'interrupteur.
- ◆ Pour éteindre l'outil, relâchez le sélecteur de vitesse.

Interrupteur marche/arrêt à deux vitesses

- ◆ Pour allumer l'outil, appuyez sur l'interrupteur marche/arrêt (1). Appuyez doucement sur l'interrupteur pour faire fonctionner l'outil à vitesse réduite. Appuyez plus fortement sur l'interrupteur pour faire fonctionner l'outil à grande vitesse.
- ◆ Pour éteindre l'outil, relâchez le sélecteur de vitesse.

Conseils pour une utilisation optimale

Perçage

- ◆ Appliquez toujours une pression légère et rectiligne avec le foret de perçage.
- ◆ Juste avant que le foret de perçage ne passe de l'autre côté de la pièce, diminuez la pression sur l'outil.
- ◆ Utilisez un bloc de bois pour protéger les pièces pouvant se briser.
- ◆ Utilisez des mèches à bois lorsque vous percez des trous d'un large diamètre dans du bois.
- ◆ Utilisez des forets de perçage HSS lorsque vous percez du métal.
- ◆ Utilisez des forets de maçonnerie lorsque vous percez des pièces de maçonnerie légères.
- ◆ Utilisez un lubrifiant lorsque vous percez des métaux autres que la fonte et le laiton.
- ◆ Faites une entaille à l'aide d'une contrepointe de centrage au centre de l'orifice à percer afin d'améliorer la précision

Vissage

- ◆ Utilisez toujours le bon type et la bonne taille d'embout de tournevis.
- ◆ Si les vis sont difficiles à serrer, essayez d'appliquer un petit peu de liquide vaisselle ou de savon comme lubrifiant.
- ◆ Tenez toujours l'outil et l'embout de tournevis en ligne droite par rapport à la vis.

Entretien

Votre outil Black & Decker a été conçu pour fonctionner pendant longtemps avec un minimum d'entretien.

Un fonctionnement continu satisfaisant dépend d'un nettoyage régulier et d'un entretien approprié de l'outil.

Votre chargeur ne nécessite aucun entretien autre qu'un nettoyage régulier.

Attention ! Avant de procéder à tout entretien de l'outil, retirez la batterie. Débranchez le chargeur avant de le nettoyer.

- ◆ Nettoyez régulièrement les orifices de ventilation de votre outil et le chargeur à l'aide d'une brosse douce ou d'un chiffon sec.
- ◆ Nettoyez régulièrement le carter du moteur à l'aide d'un chiffon humide. N'utilisez pas de produit abrasif ou à base de solvant.
- ◆ Ouvrez régulièrement le mandrin et tapotez dessus pour retirer toute poussière à l'intérieur.

Protection de l'environnement



Collecte séparée. Ce produit ne doit pas être jeté avec les déchets domestiques normaux.

Si vous décidez de remplacer ce produit Black & Decker, ou si vous n'en avez plus l'utilité, ne le jetez pas avec vos déchets domestiques. Rendez-le disponible pour une collecte séparée.



La collecte séparée des produits et emballages usés permet le recyclage des articles afin de les utiliser à nouveau. Le fait d'utiliser à nouveau des produits recyclés permet d'éviter la pollution environnementale et de réduire la demande de matières premières.

Les réglementations locales peuvent permettre la collecte séparée des produits électriques du foyer, dans des déchetteries municipales ou auprès du revendeur vous ayant vendu votre nouveau produit.

Black & Decker fournit un dispositif permettant de collecter et de recycler les produits Black & Decker lorsqu'ils ont atteint la fin de leur cycle de vie. Pour pouvoir profiter de ce service, veuillez retourner votre produit à un réparateur agréé qui se chargera de le collecter pour nous.

Pour connaître l'adresse du réparateur agréé le plus proche de chez vous, contactez le bureau Black & Decker à l'adresse indiquée dans ce manuel. Vous pourrez aussi trouver une liste des réparateurs agréés de Black & Decker et de plus amples détails sur notre service après-vente sur le site Internet à l'adresse suivante : www.2helpU.com

Packs-batteries



Les batteries Black & Decker peuvent être rechargées de nombreuses fois. A la fin de leur durée de vie technique, jetez les batteries en respectant l'environnement :

- ◆ Videz complètement la batterie, puis retirez-la de l'outil.
- ◆ Les batteries NiCd, NiMH et Li-Ion sont recyclables. Apportez-les à votre réparateur agréé ou à un centre de recyclage local.

Caractéristiques techniques

	CD12	CD112	CD96
Voltage	V _{DC} 12	12	9,6
Vitesse à vide	min ⁻¹ 700	700	700
Couple max.	Nm 8	8	7,5
Capacité du mandrin	mm 10	10	10
Capacité max. de perçage			
Acier	mm 10	10	10
Bois	mm 25	25	25
Poids	kg 0,9	0,9	0,7

	CD14	CD18
Voltage	V _{DC} 14,4	18
Vitesse à vide	min ⁻¹ 750	850
Couple max.	Nm 12,5	13
Capacité du mandrin	mm 10	10
Capacité max. de perçage		
Acier	mm 10	10
Bois	mm 25	25
Poids	kg 1,01	1,03

	KC12GT	KC14GT
Voltage	V _{DC} 12	14,4
Vitesse à vide	min ⁻¹ 700	750
Couple max.	Nm 8	12,5
Capacité du mandrin	mm 10	10
Capacité max. de perçage		
Acier	mm 10	10
Bois	mm 25	25
Poids	kg 0,9	1,01

Batterie	A9251	A9252	A9262
Voltage	V _{DC} 9,6	12	14,4
Ampérage	Ah 1,3	1,0	1,2
Poids	kg 0,365	0,5	0,7

Batterie	A9272	A9282
Voltage	V _{DC} 9,6	18
Ampérage	Ah 1,5	1,2
Poids	kg 0,465	0,73

Chargeur	
Tension secteur	V _{AC} 220-240
Temps de chargement approx.	h 3

Déclaration de conformité CE

CD12/CD112/CD96/CD14/CD18/KC12GT/KC14GT

Black & Decker déclare que ces produits sont conformes à :
98/37/CE, EN 60745

Niveau de pression acoustique selon EN 60745 :

Pression acoustique (L_{pA}) 68 dB(A), incertitude (K) 3 dB(A)Puissance acoustique (L_{WA}) 79 dB(A), incertitude (K) 3 dB(A)Valeurs totales de vibration (somme vectorielle triax) selon
EN 60745 :Perçage dans le métal ($a_{h,D}$) < 2.5 m/s²,
incertitude (K) 1,5 m/s²Vissage sans percussion ($a_{h,S}$) < 2.5 m/s²,
incertitude (K) 1,5 m/s²

Kevin Hewitt

Directeur Ingénierie Client

Spennymoor, County Durham DL16 6JG,

Royaume Uni

5-2-2008

Pour avoir recours à la garantie, il est nécessaire de fournir une preuve d'achat au vendeur ou à un réparateur agréé. Pour connaître l'adresse du réparateur agréé le plus proche de chez vous, contactez le bureau Black & Decker à l'adresse indiquée dans ce manuel. Vous pourrez aussi trouver une liste des réparateurs agréés de Black & Decker et de plus amples détails sur notre service après-vente sur le site Internet à l'adresse suivante : www.2helpU.com

Visitez notre site Web www.blackanddecker.fr pour enregistrer votre nouveau produit Black & Decker et être informé des nouveaux produits et des offres spéciales. Pour plus d'informations concernant la marque Black & Decker et notre gamme de produits, consultez notre site www.blackanddecker.fr

Garantie

Black & Decker est confiant dans la qualité de ses produits et vous offre une garantie très étendue. Ce certificat de garantie est un document supplémentaire et ne peut en aucun cas se substituer à vos droits légaux. La garantie est valable sur tout le territoire des Etats Membres de l'Union Européenne et de la Zone de Libre Echange Européenne.

Si un produit Black & Decker s'avère défectueux en raison de matériaux en mauvaises conditions, d'une erreur humaine, ou d'un manque de conformité dans les 24 mois suivant la date d'achat, Black & Decker garantit le remplacement des pièces défectueuses, la réparation des produits usés ou cassés ou remplace ces produits à la convenance du client, sauf dans les circonstances suivantes :

- ◆ Le produit a été utilisé dans un but commercial, professionnel, ou a été loué.
- ◆ Le produit a été mal utilisé ou avec négligence.
- ◆ Le produit a subi des dommages à cause d'objets étrangers, de substances ou à cause d'accidents.
- ◆ Des réparations ont été tentées par des techniciens ne faisant pas partie du service technique de Black & Decker.

Usò previsto

Il trapano/avvitatore Black & Decker è stato progettato per inserire ed estrarre viti e per forare legno, metalli e plastica. L'utensile è stato progettato per un uso individuale.

Precauzioni di sicurezza

Avvisi generali di sicurezza per l'elettrotensile



Attenzione! Leggere tutti gli avvisi e le istruzioni di sicurezza. La mancata osservanza dei seguenti avvisi e istruzioni potrebbe causare scosse elettriche, incendi e/o infortuni gravi.

Conservare tutte gli avvisi e le istruzioni per consultazioni future. Il termine "elettrotensile" che ricorre in tutte le seguenti avvertenze si riferisce ad utensili elettrici con o senza filo.

1. **Sicurezza dell'area di lavoro**
 - a. **Mantenere pulita e bene illuminata l'area di lavoro.** Il disordine o la scarsa illuminazione possono causare incidenti.
 - b. **Evitare d'impiegare gli elettrotensili in ambienti esposti al rischio di esplosione, ad esempio in presenza di liquidi, gas o polveri infiammabili.** Gli elettrotensili producono scintille che possono far infiammare la polvere o i fumi.
 - c. **Mantenere lontani bambini ed astanti mentre si usa l'elettrotensile.** Eventuali distrazioni possono comportare la perdita del controllo dell'elettrotensile.
2. **Sicurezza elettrica**
 - a. **La spina elettrica deve essere adatta alla presa. Evitare assolutamente di alterare la spina. Non impiegare spine adattatrici con elettrotensili provvisti di messa a terra.** L'uso di spine inalterate e corrispondenti alle prese della rete domestica riduce il rischio di scosse elettriche.
 - b. **Evitare il contatto fisico con superfici collegate a terra, come tubi, radiatori, forni e frigoriferi.** Un corpo collegato a terra è esposto maggiormente al rischio di scosse elettriche.
 - c. **Custodire gli elettrotensili al riparo dalla pioggia o dall'umidità.** L'eventuale infiltrazione di acqua in un elettrotensile aumenta il rischio di scosse elettriche.
 - d. **Non esporre il cavo a sollecitazioni. Non usare il cavo per trasportare o trainare l'elettrotensile e non tirarlo per estrarre la spina dalla presa di corrente. Mantenere il cavo a distanza da fonti di calore, olio, bordi taglienti e/o parti in movimento.** I cavi elettrici danneggiati o aggrovigliati aumentano il rischio di scosse elettriche.
3. **Sicurezza delle persone**
 - a. **È importante concentrarsi su ciò che si sta facendo e maneggiare con giudizio l'elettrotensile. Non adoperare l'elettrotensile se si è stanchi o sotto l'effetto di stupefacenti, alcol o medicinali.** Un attimo di distrazione durante l'uso dell'elettrotensile può causare gravi infortuni personali.
 - b. **Indossare un equipaggiamento protettivo. Utilizzare sempre occhiali protettivi di sicurezza.** Indossando un equipaggiamento protettivo, ad esempio: maschera antipolvere, calzature di sicurezza con suola antiscivolo, casco e protezioni per l'udito, in condizioni adeguate, si riduce il rischio di lesioni personali.
 - c. **Evitare l'accensione involontaria dell'elettrotensile. Verificare che l'interruttore di accensione sia posizionato su off prima di collegare il cavo di alimentazione o la batteria, di sollevare o trasportare l'elettrotensile.** Trasportare gli elettrotensili con il dito sull'interruttore di accensione o collegare all'alimentazione elettrotensili con l'interruttore posizionato su on, favorisce il verificarsi di incidenti.
 - d. **Prima di accendere un elettrotensile, togliere eventuali chiavi o attrezzi di regolazione.** Un attrezzo o una chiave lasciati in un componente mobile dell'elettrotensile possono causare lesioni.
 - e. **Non sporgersi. Mantenere sempre un buon equilibrio evitando posizioni malsicure.** In questo modo è possibile controllare meglio l'elettrotensile in situazioni inaspettate.
 - f. **Vestirsi adeguatamente. Evitare di indossare indumenti larghi o gioielli. Tenere capelli, vestiti e guanti lontani dalle parti in movimento.** Vestiti larghi, gioielli o capelli lunghi possono impigliarsi nei componenti in movimento.
 - g. **Se gli elettrotensili sono provvisti di attacchi per la connessione di dispositivi di aspirazione o raccolta della polvere, assicurarsi che questi siano installati e utilizzati correttamente.** L'uso di un dispositivo di aspirazione può ridurre i rischi correlati alle polveri.
4. **Uso e cura degli elettrotensili**
 - a. **Non sovraccaricare l'elettrotensile. Usare un elettrotensile idoneo al lavoro da eseguire.** Un elettrotensile appropriato permetterà una migliore e più sicura lavorazione alla potenza nominale prevista.
- e. **Se l'elettrotensile viene adoperato all'aperto, usare esclusivamente prolunghie omologate per l'impiego all'esterno.** Un cavo adatto per impieghi all'esterno riduce il rischio di scosse elettriche.
- f. **Se l'uso di un elettrotensile in un ambiente umido è inevitabile, utilizzare una fonte di alimentazione dotata di un dispositivo di protezione da correnti residue (RCD).** L'uso di un RCD riduce il rischio di scosse elettriche.

- b. Non utilizzare elettroutensili con interruttori difettosi.**
Un elettroutensile che non può essere controllato mediante l'interruttore è pericoloso e deve essere riparato.
- c. Scollegare la spina dalla presa e/o estrarre la batteria dall'elettroutensile prima di eseguire regolazioni, di sostituire degli accessori o di riporre l'elettroutensile.**
Queste precauzioni riducono le possibilità che l'elettroutensile venga messo in funzione accidentalmente.
- d. Quando non vengono usati, gli elettroutensili devono essere custoditi fuori della portata dei bambini. Non consentire l'uso dell'elettroutensile a persone inesperte o che non abbiano letto le presenti istruzioni.** Gli elettroutensili risultano pericolosi se usati da persone inesperte.
- e. Sottoporre gli elettroutensili alle procedure di manutenzione del caso. Verificare che le parti mobili siano bene allineate e non inceppate, che non vi siano componenti rotti e che non sussistano altre condizioni che possano compromettere il funzionamento dell'elettroutensile. In caso di danni, riparare l'elettroutensile prima dell'uso.** La scarsa manutenzione causa molti incidenti.
- f. Mantenere affilati e puliti gli utensili da taglio.** Se sottoposti alla corretta manutenzione, gli utensili da taglio con taglienti affilati s'inceppano meno frequentemente e sono più facili da manovrare.
- g. Utilizzare l'elettroutensile, gli accessori, le punte ecc. in conformità alle presenti istruzioni, tenendo conto delle condizioni lavorative e del tipo di lavoro da eseguire.** L'impiego degli elettroutensili per usi diversi da quelli previsti può dar luogo a situazioni di pericolo.
- 5. Uso e cura degli utensili a batteria**
- a. Ricaricare la batteria esclusivamente con il caricabatterie specificato dal fabbricante.** Un caricabatterie adatto per un tipo di batteria può esporre al rischio d'incendio se usato con una batteria diversa.
- b. Utilizzare gli elettroutensili solo con le batterie indicate.** L'uso di batterie diverse può esporre al rischio di infortuni e incendi.
- c. Quando non è in uso, la batteria deve essere conservata lontana da oggetti metallici come graffette, monete, chiavi, chiodi, viti o altre minuterie in metallo che possono creare contatto tra i poli.** Il cortocircuito dei poli di una batteria può causare ustioni o incendi.
- d. In condizioni di sovraccarico, le pile possono perdere liquido: evitare di toccarlo. In caso di contatto accidentale, sciacquare con acqua. Se il liquido entra a contatto con gli occhi, rivolgersi ad un medico.**
Il liquido che fuoriesce dalla pila può causare irritazioni o ustioni.

6. Riparazioni

- a. Fare riparare l'elettroutensile solo ed esclusivamente da personale specializzato e solo impiegando pezzi di ricambio originali.** Ciò permetterà di conservare le condizioni di sicurezza dell'elettroutensile.

Ulteriori avvisi di sicurezza per l'elettroutensile



Attenzione! Ulteriori avvisi di sicurezza per trapani e trapani a percussione

- ◆ **Indossare protezioni acustiche per utilizzare i trapani a percussione.** L'esposizione al rumore può causare la perdita dell'udito.
- ◆ **Utilizzare le impugnature ausiliarie fornite con l'elettroutensile.** La perdita di controllo può causare lesioni.
- ◆ **Eseguendo lavori in cui l'accessorio da taglio può entrare in contatto con linee elettriche nascoste o con il cavo di alimentazione, afferare l'elettroutensile tramite le apposite impugnature isolanti.** Il contatto dell'accessorio da taglio con una "linea sotto tensione", può sottoporre a tensione le parti metalliche dell'elettroutensile e provocare una scossa elettrica.
- ◆ **Utilizzare morsetti o un altro metodo sicuro per fissare e supportare il pezzo in lavorazione su una piattaforma stabile.** Se il pezzo in lavorazione è sostenuto a mano o appoggiato al proprio corpo, rimane in posizione instabile e si possono verificare perdite di controllo.
- ◆ **Prima di forare pareti, pavimenti o soffitti, verificare l'ubicazione di cavi elettrici e tubazioni.**
- ◆ **Evitare di toccare la punta del trapano subito dopo aver forato, può essere molto calda.**
- ◆ **Questo elettroutensile non è destinato ad essere utilizzato da persone (bambini inclusi) con ridotte capacità fisiche, sensoriali o mentali, senza esperienza o non in possesso delle dovute conoscenze, senza la supervisione o l'addestramento sull'uso dell'elettroutensile da parte di una persona responsabile per la loro sicurezza. Controllare i bambini per evitare che giochino con l'elettroutensile.**
- ◆ **L'utilizzo previsto è quello indicato nel presente manuale.** L'utilizzo di qualsiasi accessorio o attrezzatura o l'uso del presente elettroutensile per scopi diversi da quelli consigliati nel presente manuale d'istruzioni potrebbero comportare il rischio di infortuni e/o danni alle proprietà.

Istruzioni supplementari sulla sicurezza per batterie e caricatori

Batterie

- ◆ Non tentare mai di aprire le batterie, per nessuna ragione.
- ◆ Non esporre la batteria all'acqua.
- ◆ Non esporre la batteria al calore.

- ◆ Non conservarle in ambienti in cui la temperatura possa superare i 40 °C.
- ◆ Caricarle solo a temperatura ambiente compresa tra 10 °C e 40 °C.
- ◆ Caricare la batteria solo usando il caricabatterie fornito con l'elettrotensile.
- ◆ Per smaltire le batterie seguire le istruzioni riportate nel capitolo "Protezione dell'ambiente".
- ◆ In condizioni estreme, la pila può perdere liquido. Se si rileva la presenza di liquido sulla batteria, procedere come segue:
 - Asciugare con cura il liquido usando un panno. Evitare il contatto con l'epidermide.
 - In caso di contatto con l'epidermide o gli occhi, osservare le seguenti istruzioni.

Attenzione! Il liquido delle batterie, una soluzione al 25-30% di idrossido di potassio, può essere nocivo. In caso di contatto con l'epidermide, sciacquare immediatamente con acqua. Intervenire con una sostanza leggermente acida, come succo di limone o aceto. In caso di contatto con gli occhi, sciacquare con abbondante acqua pulita per almeno 10 minuti. Consultare un medico.



Pericolo d'incendio! Evitare di mettere in cortocircuito i contatti della batteria rimossa (ad es. riponendo la batteria in uno scomparto con altri oggetti metallici).



Non bruciare la batteria.



Non tentare di caricare batterie danneggiate.

Caricabatterie

- ◆ Usare il caricabatterie Black & Decker soltanto per caricare le batterie fornite con l'elettrodomestico. Batterie di altro tipo possono esplodere, provocando danni a persone e cose.
- ◆ Non tentare mai di ricaricare una batteria non ricaricabile.
- ◆ Sostituire immediatamente i cavi difettosi.
- ◆ Non esporre il caricabatterie all'acqua.
- ◆ Non aprire il caricabatterie.
- ◆ Non applicare i puntali di un multimetro sul caricabatterie.



Il caricabatterie è destinato ad essere usato esclusivamente in ambienti interni.

Vibrazioni

I valori delle vibrazioni dichiarati nei dati tecnici e nella dichiarazione di conformità sono stati misurati in conformità ai metodi di test standard descritti in: EN 60745 e possono essere utilizzati per comparare due elettrotensili.

I valori di emissioni dichiarati possono essere usati anche per una valutazione preliminare dell'esposizione.

Attenzione! Il valore delle vibrazioni durante l'uso dell'elettrotensile può differire dai valori dichiarati a seconda del modo in cui viene usato l'elettrotensile. Il livello di vibrazioni può aumentare rispetto al livello nominale.

Quando si valuta l'esposizione alle vibrazioni e si stabiliscono le misure di sicurezza richieste dalla direttiva 2002/44/CE per proteggere il personale che utilizza regolarmente gli elettrotensili nello svolgimento delle proprie funzioni, considerare una stima dell'esposizione alle vibrazioni, le effettive condizioni d'uso e il modo in cui l'elettrotensile viene usato, analizzando tutte le parti del ciclo operativo, ovvero i periodi in cui l'elettrotensile è spento o gira a vuoto, oltre al tempo in cui è in uso.

Etichette sull'elettrotensile

Sull'elettrotensile sono presenti le seguenti immagini:



Attenzione! Per ridurre il rischio di lesioni, l'utente è tenuto a leggere il presente manuale di istruzioni.

Sicurezza elettrica



Il caricabatterie è provvisto di doppio isolamento che rende superflua la messa a terra. Controllare che la tensione di alimentazione corrisponda a quella indicata sulla targhetta con i dati caratteristici. Non cercare di utilizzare una normale presa di corrente al posto del caricabatterie.

- ◆ Se il cavo elettrico in dotazione risulta danneggiato, deve essere sostituito dal produttore o da un Centro di assistenza autorizzato Black & Decker, onde evitare rischi.

Funzioni

Questo elettrotensile è dotato di tutte le caratteristiche elencate di seguito, o di alcune di esse.

1. Interruttore di velocità variabile o interruttore on / off a due velocità
2. Selettore avanti/indietro
3. Selettore modalità/anello di regolazione coppia di serraggio
4. Mandrino
5. Batteria
6. Pulsante di sgancio batteria

Fig. D & E

7. Caricabatteria
8. Base di ricarica
9. Connettore per caricabatteria
10. Spina del caricabatteria

Montaggio

Attenzione! Prima di montaggio, rimuovere la batteria.

Inserimento ed estrazione della batteria (fig. A)

- ◆ Per inserire la batteria (5), allinearla alla base sull'utensile. Fare scivolare la batteria nella base fino a che non s'inserisce con uno scatto.
- ◆ Per togliere la batteria, premere simultaneamente i due pulsanti di sgancio (6) e, contemporaneamente, estrarre la batteria dal vano.

Inserimento e rimozione di una punta per trapano o per cacciavite (fig. B)

Attenzione! Prima di tutto rimuovere la batteria dall'utensile.

L'elettrotensile è dotato di un mandrino senza chiave che permette di cambiare con facilità le punte.

- ◆ Bloccare l'elettrotensile posizionando il selettore avanti/indietro (2) nella posizione centrale.
- ◆ Aprire il mandrino girando con una mano la parte anteriore (11) e sorreggendo con l'altra la parte posteriore (12) (fig. B).
- ◆ Inserire lo stelo della punta (17) nel mandrino.
- ◆ Stringere fortemente il mandrino girando con una mano la parte anteriore (11) mentre con l'altra mano sorreggete la parte posteriore (12).

Rimozione e reinserimento del mandrino (fig. C)

- ◆ Aprire il mandrino il più possibile.
- ◆ Estrarre le vite che fissa il mandrino, ruotandola in senso orario con un cacciavite.
- ◆ Stringere una chiave Allen (14) nel mandrino e percuoterla con un martello, come illustrato.
- ◆ Rimuovere la chiave Allen.
- ◆ Rimuovere il mandrino, ruotandolo in senso antiorario.
- ◆ Per rimontare il mandrino, avvitarlo sull'alberino e bloccarlo con l'apposita vite di ritengo.

Uso

Attenzione! Lasciare che l'utensile lavori al suo ritmo, senza sovraccaricarlo.

Caricamento della batteria

E' necessario caricare la batteria prima del primo utilizzo e ogniqualvolta che non eroghi la sufficiente energia per eseguire un lavoro che prima veniva eseguito con facilità. Quando si carica la batteria per la prima volta, o dopo un lungo periodo d'inattività, accetterà soltanto l'80% della sua capacità. Dopo diversi cicli di carica e scarica la batteria raggiunge la sua piena capacità. La batteria si può riscaldare durante il processo di carica; è normale e non è indicativo di nessun problema.

Attenzione! Non caricare la batteria ad una temperatura ambiente inferiore ai 4 °C o superiore ai 40 °C.

La temperatura di carica consigliata è di circa 24 °C.

Caricabatteria con base (fig. D)

- ◆ Per caricare la batteria (5), toglierla dall'utensile ed inserirla nella base del caricabatteria (8). La batteria s'inserisce nella base in un solo verso. Non forzarla. Accertare che la batteria sia perfettamente inserita nella base del caricabatteria.
- ◆ Inserire la spina del caricabatterie nella presa.

Dopo un uso normale, 3 ore di carica danno una potenza sufficiente per la maggior parte delle applicazioni. Ad ogni modo, un'ulteriore carica fino a 6 ore potrebbe aumentare considerevolmente il tempo d'utilizzo, a seconda della batteria e delle condizioni di carica.

- ◆ Togliere la batteria dal caricabatterie.

Caricabatteria senza base (fig. E)

- ◆ Per caricare la batteria, verificare che sia montata sul trapano.
- ◆ Inserire la spina del caricabatteria (10) nel connettore (9).
- ◆ Inserire la spina del caricabatterie nella presa.

Dopo un uso normale, 3 ore di carica danno una potenza sufficiente per la maggior parte delle applicazioni. Ad ogni modo, un'ulteriore carica fino a 6 ore potrebbe aumentare considerevolmente il tempo d'utilizzo, a seconda della batteria e delle condizioni di carica.

- ◆ Scollegare l'utensile dal caricabatteria.

Attenzione! Non usare l'elettrotensile mentre è collegato al caricabatterie.


Selezione del senso di rotazione

Per trapanare e avvitare, selezionare il senso di rotazione in avanti (senso orario). Per svitare o per togliere una punta inceppata, selezionare il senso di rotazione indietro (senso antiorario).

- ◆ Per selezionare la rotazione in avanti, spingere il selettore avanti/indietro (2) verso sinistra.
- ◆ Per selezionare la rotazione indietro, spingere il selettore avanti/indietro verso destra.
- ◆ Per bloccare l'elettrotensile, collocare il selettore avanti/indietro nella posizione centrale.

Selezione del modo operativo o della coppia di serraggio (fig. F)

Questo utensile è dotato di una ghiera che permette di regolare la coppia di serraggio alla quale avvitare le viti. Viti grandi e materiali duri richiedono una coppia di serraggio più elevata rispetto a viti piccole e materiali morbidi. La ghiera ha un'ampia gamma di impostazioni adatte ad ogni applicazione.

- ◆ Per trapanare legno, metallo e plastica, collocare l'anello (3) nella posizione di trapanatura allineando il simbolo  alla tacca (15).
- ◆ Per usare l'elettrotensile come cacciavite, collocare la ghiera sull'impostazione desiderata. Se non si è ancora pratici delle impostazioni corrette, procedere come segue:
 - Collocare la ghiera (3) sull'impostazione della coppia di serraggio più bassa.
 - Stringere la prima vite.
 - Se la frizione si arresta prima che si sia ottenuto il risultato desiderato, regolare la ghiera su un valore maggiore e continuare a stringere la vite. Ripetere l'operazione fino ad ottenere l'impostazione corretta. Fare uso di quest'impostazione per tutte le altre viti.

Avviamento e spegnimento

Interruttore velocità variabile

- ◆ Per accendere l'elettrotensile, premere l'interruttore variatore di velocità (1). La velocità dell'elettrotensile dipende dalla pressione esercitata sull'interruttore.
- ◆ Per spegnere l'elettrotensile, rilasciare l'interruttore variatore di velocità.

Interruttore on/off a due velocità

- ◆ Per accendere l'elettrotensile, premere l'interruttore on/off (1). Se si preme leggermente l'interruttore l'attrezzo funziona a bassa velocità; se si aumenta la pressione sull'interruttore, l'attrezzo funziona ad alta velocità.
- ◆ Per spegnere l'elettrotensile, rilasciare l'interruttore variatore di velocità.

Consigli per un'ottima utilizzazione

Istruzioni per trapanare

- ◆ Esercitare sempre una leggera pressione in linea retta con la punta.
- ◆ Prima che la punta fuoriesca dall'altra parte del pezzo in lavorazione, diminuire la pressione sull'elettrotensile.
- ◆ Usare un blocco di legno per sostenere i pezzi in lavorazione che si possono scheggiare.
- ◆ Usare punte a pala per praticare fori di diametro largo su legno.
- ◆ Usare punte in acciaio rapido per trapanare i metalli.
- ◆ Usare punte per muratura per trapanare i muri.
- ◆ Usare un lubrificante per trapanare metalli diversi da ottone e ferro.
- ◆ Per aumentare l'accuratezza della trapanatura, fare una tacca con un punteruolo al centro del punto da trapanare.

Avvitatura

- ◆ Usare sempre una punta per avvitare di tipo e misura adeguati.
- ◆ Se le viti sono difficili da stringere, provare ad applicare un piccola quantità di liquido detergente o sapone come lubrificante.
- ◆ Mantenere sempre l'elettrotensile e la punta in linea retta rispetto alla vite.

Manutenzione

Questo utensile Black & Decker è stato progettato per funzionare a lungo con un minimo di manutenzione. Per ottenere prestazioni sempre soddisfacenti occorre avere cura dell'utensile e sottoporlo a manutenzione periodica.

Il caricabatteria non richiede alcun tipo di manutenzione oltre a una regolare pulizia.

Attenzione! Prima di eseguire qualsiasi tipo di manutenzione dell'utensile, estrarre le batterie. Scollegare il caricatore dalla presa elettrica prima di pulirlo.

- ◆ Pulite regolarmente con una spazzola morbida o un panno asciutto le prese di ventilazione dell'utensile e del caricabatteria.
- ◆ Il vano motore va pulito regolarmente con un panno umido. Non usare materiali abrasivi o detersivi a base di solventi.
- ◆ Aprire regolarmente il mandrino e colpirlo leggermente per togliere tutta la polvere dall'interno.

Protezione dell'ambiente



Raccolta differenziata. Questo prodotto non deve essere smaltito con i normali rifiuti domestici.

Nel caso in cui si decida di sostituire l'apparecchio oppure di disfarsene in quanto non più necessario, non dovrà essere smaltito con i normali rifiuti domestici. Smaltire il prodotto tramite raccolta differenziata.



La raccolta differenziata di prodotti e imballaggi usati, consente il riciclaggio e il riutilizzo dei materiali. Riutilizzare i materiali riciclati aiuta a prevenire l'inquinamento ambientale e riduce la richiesta di materie prime.

In base alle normative locali, i servizi per la raccolta differenziata di elettrodomestici possono essere disponibili presso i punti di raccolta municipali o presso il rivenditore, al momento dell'acquisto di un nuovo prodotto.

Black & Decker offre ai suoi clienti un servizio per la raccolta differenziata e la possibilità di riciclare i prodotti Black & Decker che hanno esaurito la loro durata in servizio. Per usufruire del servizio, è sufficiente restituire il prodotto a qualsiasi tecnico autorizzato, incaricato della raccolta per conto dell'azienda.

Per individuare il tecnico autorizzato più vicino, rivolgersi alla sede Black & Decker locale, presso il recapito indicato nel presente manuale. Altrimenti un elenco completo di tutti i tecnici autorizzati Black & Decker e i dettagli completi sui contatti e i servizi post-vendita sono disponibili sul sito Internet: www.2helpU.com

Batterie



Le batterie della Black & Decker si possono ricaricare più volte: al termine della loro durata in servizio, devono essere raccolte negli appositi contenitori, per garantirne lo smaltimento nel rispetto dell'ambiente.

- ◆ Quando è completamente esaurita, la batteria deve essere estratta dall'utensile.
- ◆ Le batterie NiCd, NiMH e Li-Ion sono riciclabili e devono essere consegnate a un tecnico autorizzato o portate presso un impianto di riciclaggio di zona.

Dati tecnici

		CD12	CD112	CD96
Tensione	V_{DC}	12	12	9,6
Velocità a vuoto	min^{-1}	700	700	700
Coppia max.	Nm	8	8	7,5
Capacità del mandrino	mm	10	10	10
Capacità max. di perforazione				
Acciaio	mm	10	10	10
Legno	mm	25	25	25
Peso	kg	0,9	0,9	0,7

		CD14	CD18
Tensione	V_{DC}	14,4	18
Velocità a vuoto	min^{-1}	750	850
Coppia max.	Nm	12,5	13
Capacità del mandrino	mm	10	10
Capacità max. di perforazione			
Acciaio	mm	10	10
Legno	mm	25	25
Peso	kg	1,03	1,03

		KC12GT	KC14GT
Tensione	V_{DC}	12	14,4
Velocità a vuoto	min^{-1}	700	750
Coppia max.	Nm	8	12,5
Capacità del mandrino	mm	10	10
Capacità max. di perforazione			
Acciaio	mm	10	10
Legno	mm	25	25
Peso	kg	0,9	1,01

Batteria	A9251	A9252	A9262
Tensione	V_{DC} 9,6	12	14,4
Capacità	Ah 1,3	1,0	1,2
Peso	kg 0,365	0,5	0,7

Batteria	A9272	A9282
Tensione	V_{DC} 12	18
Capacità	Ah 1,5	1,2
Peso	kg 0,465	0,73

Caricabatteria

Tensione di rete	V_{AC} 220-240
Tempo approssimato di carica	h 3

Dichiarazione europea di conformità del macchinario

CD12/CD112/CD96/CD14/CD18/KC12GT/KC14GT

Black & Decker dichiara che i presenti prodotti sono conformi a:
98/37/CE, EN 60745

Livello di pressione sonora, dati conformi alla norma EN 60745:

Pressione sonora (L_{pA}) 68 dB(A), incertezza (K) 3 dB(A)
Potenza acustica (L_{WA}) 79 dB(A), incertezza (K) 3 dB(A)

Valori totali di vibrazione (somma vettoriale triax) determinati in base a EN 60745:

Foratura nel metallo ($a_{h,D}$) < 2,5 m/s^2 , incertezza (K) 1,5 m/s^2
Avvitatura senza percussione ($a_{h,S}$) < 2,5 m/s^2 ,
incertezza (K) 1,5 m/s^2

Kevin Hewitt
Direttore tecnico prodotti di consumo
Spennymoor, County Durham DL16 6JG,
Regno Unito
5-2-2008

Garanzia

Certa della qualità dei suoi prodotti, Black & Decker offre una garanzia eccezionale. Il presente certificato di garanzia è complementare ai diritti statutari e non li pregiudica in alcun modo. La garanzia è valida entro il territorio degli Stati membri dell'Unione Europea e dell'EFTA (European Free Trade Area).

Se un prodotto Black & Decker risulta difettoso per qualità del materiale, della costruzione o per mancata conformità entro 24 mesi dalla data di acquisto, Black & Decker garantisce la sostituzione delle parti difettose, provvede alla riparazione dei prodotti se ragionevolmente usurati oppure alla loro sostituzione, in modo da ridurre al minimo il disagio del cliente a meno che:

- ◆ Il prodotto non sia stato destinato ad usi commerciali, professionali o al noleggio;
- ◆ Il prodotto non sia stato usato in modo improprio o scorretto;
- ◆ Il prodotto non abbia subito danni causati da oggetti o sostanze estranee oppure incidenti;
- ◆ Il prodotto non abbia subito tentativi di riparazione non effettuati da tecnici autorizzati né dall'assistenza Black & Decker.

Per attivare la garanzia è necessario esibire la prova comprovante l'acquisto al venditore o al tecnico autorizzato. Per individuare il tecnico autorizzato più vicino, rivolgersi alla sede Black & Decker locale, presso il recapito indicato nel presente manuale. Altrimenti un elenco completo di tutti i tecnici autorizzati Black & Decker e i dettagli completi sui contatti e i servizi post-vendita sono disponibili su Internet presso: www.2helpU.com

I clienti che desiderano registrare il nuovo prodotto Black & Decker e ricevere gli aggiornamenti sui nuovi prodotti e le offerte speciali, sono invitati a visitare il sito Web (www.blackanddecker.it). Ulteriori informazioni sul marchio e la gamma di prodotti Black & Decker sono disponibili all'indirizzo www.blackanddecker.it

Gebruik volgens bestemming

Uw Black & Decker boor/schroefmachine is bedoeld voor het in- en uitdraaien van schroeven en voor het boren in hout, metaal en kunststoffen. Deze machine is uitsluitend bestemd voor consumentengebruik.

Veiligheidsvoorschriften

Algemene veiligheidswaarschuwingen voor elektrisch gereedschap



Waarschuwing! Lees alle veiligheidsinstructies en alle voorschriften. Wanneer de volgende waarschuwingen en voorschriften niet in acht worden genomen, kan dit een elektrische schok, brand of ernstig letsel tot gevolg hebben.

Bewaar alle waarschuwingen en instructies zorgvuldig.

Het hierna gebruikte begrip "elektrisch gereedschap" heeft betrekking op elektrische gereedschappen voor gebruik op het stroomnet (met netsnoer) of op batterijen (snoerloos).

1. **Veiligheid van de werkomgeving**
 - a. **Houd uw werkomgeving schoon en opgeruimd.**
Een rommelige en een onverlichte werkomgeving kan tot ongevallen leiden.
 - b. **Werk niet met elektrische gereedschappen in een omgeving met explosiegevaar, zoals in aanwezigheid van brandbare vloeistoffen, gassen of stof.** Elektrische gereedschappen veroorzaken vonken die het stof of de dampen tot ontsteking kunnen brengen.
 - c. **Houd kinderen en andere personen tijdens het gebruik van het elektrische gereedschap uit de buurt.** Wanneer u wordt afgeleid, kunt u de controle over het gereedschap verliezen.
2. **Elektrische veiligheid**
 - a. **De netstekker van het gereedschap moet in het stopcontact passen. De stekker mag in geen geval worden veranderd. Gebruik geen adapterstekkers in combinatie met geaarde gereedschappen.**
Onveranderde stekkers en passende stopcontacten verminderen de kans op een elektrische schok.
 - b. **Voorkom aanraking van het lichaam met geaarde oppervlakken, bijvoorbeeld buizen, verwarmingen, fornuizen en koelkasten.** De kans op een elektrische schok is groter als uw lichaam geaard is.
 - c. **Stel elektrisch gereedschap niet bloot aan regen en vocht.** In elektrisch gereedschap binnendringend water vergroot de kans op een elektrische schok.
 - d. **Gebruik het snoer niet voor een verkeerd doel. Gebruik het snoer niet om het gereedschap te dragen, voor te trekken of om de stekker uit het stopcontact te trekken. Houd het snoer uit de buurt van hitte, olie, scherpe randen of bewegende delen.** Beschadigde of in de war geraakte snoeren vergroten de kans op een elektrische schok.
 - e. **Gebruik wanneer u buitenshuis met elektrisch gereedschap werkt alleen verlengsnoeren die voor gebruik buitenshuis zijn goedgekeurd.** Het gebruik van een voor gebruik buitenshuis geschikt verlengsnoer verkleint de kans op een elektrische schok.
 - f. **Gebruik een netvoeding voorzien van een reststroomvoorziening (RCD) indien het gebruiken van elektrisch gereedschap op een vochtige locatie onvermijdelijk is.** Gebruik van een reststroomvoorziening verkleint het risico van elektrische schok.
3. **Veiligheid van personen**
 - a. **Wees alert, let goed op wat u doet en ga met verstand te werk bij het gebruik van elektrische gereedschappen. Gebruik elektrisch gereedschap niet wanneer u moe bent of onder invloed van drugs, alcohol of medicijnen.**
Een moment van onoplettendheid bij het gebruik van het gereedschap kan tot ernstige verwondingen leiden.
 - b. **Gebruik persoonlijke beschermende uitrusting. Draag altijd oogbescherming.** Persoonlijke beschermende uitrusting zoals een stofmasker, slipvaste werkschoenen, een veiligheidshelm of gehoorbescherming, gebruikt voor geschikte condities, verkleint het risico van verwondingen.
 - c. **Voorkom onbedoeld inschakelen. Zorg ervoor dat de schakelaar in de "uit"-stand staat voordat u de stekker in het stopcontact steekt, de accu plaatst of het gereedschap oppakt of draagt.** Het dragen van het gereedschap met uw vinger aan de schakelaar of het gereedschap ingeschakeld op de stroomvoorziening aansluiten kan tot ongelukken leiden.
 - d. **Verwijder stelsleutels of moersleutels voordat u het gereedschap inschakelt.** Een sleutel in een draaiend onderdeel van het elektrische gereedschap kan tot verwondingen leiden.
 - e. **Reik niet te ver. Zorg altijd dat u stevig staat en in evenwicht blijft.** Daardoor kunt u het gereedschap in onverwachte situaties beter onder controle houden.
 - f. **Draag geschikte kleding. Draag geen loshangende kleding of sieraden. Houd haren, kleding en handschoenen uit de buurt van bewegende delen.**
Loshangende kleding, sieraden en lange haren kunnen bekneld raken in bewegende delen.
 - g. **Sluit eventueel bijgeleverde stofzuig- of stofopvangvoorzieningen aan en gebruik ze op de juiste manier.**
Het gebruik van stofopvang beperkt het gevaar door stof.

4. **Gebruik en onderhoud van elektrische gereedschappen**
 - a. **Overbelast het gereedschap niet. Gebruik voor uw toepassing het daarvoor bestemde elektrische gereedschap.** Met het passende elektrische gereedschap werkt u beter en veiliger binnen het aangegeven capaciteitsbereik.
 - b. **Gebruik geen elektrisch gereedschap waarvan de schakelaar defect is.** Elektrisch gereedschap dat niet meer kan worden in- of uitgeschakeld is gevaarlijk en moet worden gerepareerd.
 - c. **Trek de stekker uit het stopcontact en/of accu alvorens het gereedschap af te stellen, accessoires te verwisselen of elektrisch gereedschap op te bergen.** Deze voorzorgsmaatregel voorkomt onbedoeld starten van het gereedschap.
 - d. **Bewaar elektrische gereedschappen die niet worden gebruikt buiten bereik van kinderen. Laat personen die niet met het gereedschap vertrouwd zijn of deze aanwijzingen niet hebben gelezen niet met het gereedschap werken.** Elektrische gereedschappen zijn gevaarlijk in de handen van onervaren personen.
 - e. **Verzorg het gereedschap zorgvuldig. Controleer bewegende delen van het gereedschap op goede uitlijning en soepele werking. Controleer of onderdelen niet gebroken zijn of dat de werking van het gereedschap niet op enige andere wijze nadelig wordt beïnvloed. Laat beschadigde delen repareren voordat u met het gereedschap gaat werken.** Veel ongevallen worden veroorzaakt door slecht onderhouden elektrische gereedschappen.
 - f. **Houd snijgereedschappen scherp en schoon.** Zorgvuldig onderhouden snijgereedschappen met scherpe snijkanten lopen minder snel vast en zijn gemakkelijker te sturen.
 - g. **Gebruik elektrische gereedschappen, toebehoren, inzetgereedschappen en dergelijke volgens deze aanwijzingen. Let daarbij op de arbeidsomstandigheden en de uit te voeren werkzaamheden.** Het gebruik van elektrische gereedschappen voor andere dan de voorziene toepassingen kan tot gevaarlijke situaties leiden.
5. **Gebruik en onderhoud van op een accu werkende gereedschappen**
 - a. **Laad accu's alleen op in door de fabrikant gespecificeerde opladers.** Een voor een bepaald type accu geschikte oplader levert brandgevaar op bij gebruik met een andere accu.
 - b. **Gebruik elektrische gereedschappen alleen met de daarvoor bedoelde accu's.** Het gebruik van andere accu's kan letsel en brand veroorzaken.

- c. **Houd accu's die niet in gebruik zijn uit de buurt van metalen voorwerpen, zoals paperclips, munten, sleutels, spijkers, schroeven en andere kleine metalen voorwerpen, die overbrugging van de contacten kunnen veroorzaken.** Kortsluiting tussen de accupolen brandwonden of brand veroorzaken.
 - d. **Bij verkeerd gebruik kan vloeistof uit de batterij lekken. Voorkom contact. Spoel in geval van onbedoeld contact met water. Raadpleeg tevens een arts als de vloeistof in contact komt met de ogen.** Uit de batterij gelekte vloeistof kan huidirritaties of brandwonden veroorzaken.
6. **Service**
 - a. **Laat het elektrische gereedschap alleen repareren door een gekwalificeerde reparateur en alleen met gebruik van originele vervangingsonderdelen.** Dit garandeert de veiligheid van het gereedschap.

Aanvullende veiligheidswaarschuwingen voor elektrisch gereedschap



Waarschuwing! Aanvullende veiligheidswaarschuwingen voor boormachines en klopboormachines

- ◆ **Draag oorbeschermers bij klopboormachines.** Blootstelling aan lawaai kan gehoorbeschadiging veroorzaken.
- ◆ **Gebruik de handgrepen die met de machine worden meegeleverd.** Het niet in bedwang kunnen houden van de machine kan leiden tot ongelukken.
- ◆ **Houd de machine alleen aan de geïsoleerde greepvlakken vast als u werkzaamheden uitvoert waarbij het zaagaccessoire verborgen stroomleidingen of de eigen machinekabel kan raken.** Het zaagaccessoire dat een onder spanning staande leiding raakt, zetten ook de zichtbare metalen machinedelen onder spanning; dit kan leiden tot een elektrische schok.
- ◆ **Hanteer klemmen of een andere praktische manier om het werkstuk op een stabiele ondergrond vast te klemmen en te ondersteunen.** Het werkstuk met de hand vasthouden of tegen het lichaam houden zorgt voor instabiliteit en kan leiden tot controleverlies.
- ◆ **Controleer voordat u gaat boren in muren, vloeren of plafonds de locatie van eventueel aanwezige gas-, water- en elektriciteitsleidingen.**
- ◆ **Vermijd aanraking met de punt van de boor vlak na het boren, omdat deze heet kan zijn.**

- ◆ Deze machine is niet bedoeld voor gebruik door personen (inclusief kinderen) met beperkt lichamelijk, zintuigelijk of geestelijk vermogen, of gebrek aan ervaring en kennis, tenzij hen de supervisie of instructie is gegeven omtrent het gebruik van de machine door een persoon die verantwoordelijk is voor hun veiligheid. Houd toezicht op kinderen om ervoor te zorgen dat zij niet met het apparaat gaan spelen.
- ◆ Het gebruik volgens bestemming is beschreven in deze handleiding. Gebruik ter voorkoming van lichamelijk letsel en/of materiële schade uitsluitend de in deze gebruiksaanwijzing aanbevolen accessoires en hulpstukken. Gebruik het instrument uitsluitend volgens bestemming.

Aanvullende veiligheidsvoorschriften voor accu's en opladers

Accu's

- ◆ Probeer nooit een accu te openen.
- ◆ Stel de accu niet aan water bloot.
- ◆ Stel de batterij niet aan warmtebronnen bloot.
- ◆ Bewaar accu's niet op plaatsen waar de temperatuur hoger kan worden dan 40 °C.
- ◆ Laad accu's uitsluitend op bij een omgevingstemperatuur tussen 10 °C en 40 °C.
- ◆ Laad accu's uitsluitend op met behulp van de meegeleverde oplader.
- ◆ Volg bij het weggooiën van batterijen de instructies in de paragraaf "Milieu" op.
- ◆ Onder extreme gebruikscondities kan er vloeistof uit de batterij vrijkomen. Als u vloeistof op de accu opmerkt, gaat u als volgt te werk:
 - Verwijder met behulp van een doekje voorzichtig de vloeistof van de batterij. Vermijd huidcontact.
 - Als de vloeistof toch in aanraking komt met de huid of de ogen, volgt u de onderstaande instructies op.

Waarschuwing! De accuvloeistof bestaat uit een 25-30 % oplossing van kaliumhydroxide en kan gevaarlijk zijn. Indien accuvloeistof met de huid in aanraking is gekomen, spoel dan de huid onmiddellijk met water af. Neutraliseer de vloeistof met een zwak zuur zoals citroensap of azijn. Indien accuzuur in de ogen is gekomen, spoel de ogen dan gedurende minimaal 10 minuten met schoon stromend water. Raadpleeg vervolgens een arts.



Brandgevaar! Voorkom kortsluiting tussen de contactpunten van een losse accu (bijv. als u de accu in een gereedchapskist bewaart).



Verbrand de accu nooit.



Probeer nooit een beschadigde accu op te laden.

Opladers

- ◆ Gebruik uw Black & Decker oplader uitsluitend voor het opladen van accu's van het meegeleverde type. Andere accu's kunnen scheuren en zo letsel en materiële schade veroorzaken.
- ◆ Probeer nooit niet-oplaadbare batterijen op te laden.
- ◆ Laat een defect netsnoer onmiddellijk vervangen.
- ◆ Stel de oplader niet aan water bloot.
- ◆ Open de oplader niet.
- ◆ Doorboor de oplader niet.



De oplader is uitsluitend bedoeld voor gebruik binnenshuis.

Vibratie

De verklaarde trillingsafgifte in het gedeelte van de technische gegevens / conformiteitsverklaring zijn gemeten volgens een standaard testmethode vastgesteld door EN 60745 en kan worden gebruikt om apparaten met elkaar te vergelijken. De verklaarde trillingsafgifte kan ook worden gebruikt in een voorlopige beoordeling van blootstelling.

Waarschuwing! De waarde van de trillingsafgifte tijdens daadwerkelijk gebruik van elektrisch gereedschap kan afwijken van de verklaarde waarde afhankelijk op wat voor manieren het apparaat wordt gebruikt. Het trillingsniveau kan toenemen boven het aangegeven niveau.

Bij het bepalen van de trillingsblootstelling ter vaststelling van de veiligheidsmaatregelen vereist door 2002/44/EG - ter bescherming van personen die werkmatig geregeld elektrisch gereedschap gebruiken - dient een inschatting van de trillingsblootstelling de feitelijke gebruikscondities en bedieningswijze in acht te nemen, inclusief alle onderdelen van de bedieningscyclus, zoals het uisthakelen van het apparaat en het onbelast laten lopen alsmede de trekkertijd.

Labels op de machine

Op de machine vindt u de volgende pictogrammen:



Waarschuwing! De gebruiker moet de handleiding lezen om risico op letsel te verkleinen.

Elektrische veiligheid



Uw oplader is dubbel geïsoleerd; een aardaansluiting is daarom niet noodzakelijk. Controleer altijd of de netspanning overeenkomt met het voltage op het typeplaatje. Vervang de oplader nooit door een netstekker.

- ◆ Indien het netsnoer is beschadigd, dient het ter voorkoming van gevaren te worden vervangen door de fabrikant of een erkend servicecentrum.

Onderdelen

Al naar gelang de uitvoering beschikt deze machine over de volgende onderdelen.

1. Variabele snelheidsknop of twee-snelheden aan/uit schakelaar
2. Links/rechts-schakelaar
3. Modusselectie/koppelstelkraag
4. Boorhouder
5. Accu
6. Accu-ontgrendelingsknop

Fig. D & E

7. Oplader
8. Oplaadstation
9. Aansluitpunt voor oplader
10. Opladerstekker

Montage

Waarschuwing! Neem voor de montage de accu van de machine.

Aanbrengen en verwijderen van de accu (fig. A)

- ◆ Om de batterij (5) aan te brengen, houdt u hem voor de houder in de machine. Schuif de accu in de houder en duw deze aan totdat hij vastklikt.
- ◆ Om de accu te verwijderen, drukt u de twee ontgrendelingsknoppen (6) tegelijk in en trekt de accu uit de houder.

Monteren en verwijderen van een boor of schroefbit (fig. B)

Waarschuwing! Verwijder eerst de accu uit de machine.

Deze machine is voorzien van een snelspanboorhouder voor het eenvoudig verwisselen van bits.

- ◆ Vergrendel de machine door de links/rechts-schuif (2) in de middenpositie te zetten.
- ◆ Open de boorhouder door met één hand aan het voorste deel (11) te draaien en ondertussen met de andere hand het achterste deel (12) vast te houden (fig. B).
- ◆ Steek de schacht van de boor of bit (17) in de boorhouder.
- ◆ Draai de boorhouder stevig vast door met één hand aan het voorste deel (11) te draaien en ondertussen met de andere hand het achterste deel (12) vast te houden.

Verwijderen en opnieuw aanbrengen van de boorhouder (fig. C)

- ◆ Open de boorhouder zo ver als mogelijk.

- ◆ Verwijder de borgschroef van de boorhouder door hem rechtsom te draaien met behulp van een schroevendraaier.
- ◆ Draai een inbussleutel (14) in de boorhouder en sla er met een hamer op zoals afgebeeld.
- ◆ Verwijder de inbussleutel.
- ◆ Verwijder de boorhouder door hem linksom te draaien.
- ◆ Om de boorhouder weer aan te brengen, schroeft u hem op de spindel en borgt u hem met behulp van een borgschroef.

Gebruik

Waarschuwing! Laat de machine op haar eigen tempo werken. Niet overbelasten.

Opladen van de accu

De accu moet worden opgeladen voor het eerste gebruik alsmede zodra hij niet meer genoeg energie levert voor werkzaamheden die eerder moeiteloos konden worden verricht. Als u de accu voor de eerste keer of na langdurige opslag oplaadt, zal deze slechts voor ca. 80% worden opgeladen. Na een aantal laad- en ontlad-cycli wordt de accu echter compleet opgeladen. Tijdens het opladen kan de accu warm aanvoelen. Dit is normaal en duidt niet op een defect.

Waarschuwing! Laad de accu niet op bij omgevingstemperaturen onder 4 °C of boven 40 °C. Aanbevolen oplaadtemperatuur: ca. 24 °C.

Oplader met oplaadstation (fig. D)

- ◆ Om de accu (5) op te laden, haalt u deze uit de machine en steekt hem in het oplaadstation (8). De accu past slechts op één manier in het oplaadstation. Niet forceren. Verzeker u ervan dat de accu volledig in het oplaadstation is geplaatst.
- ◆ Steek de stekker van de oplader in het stopcontact. Na normaal gebruik zal een oplaadperiode van 3 uur voldoende zijn voor de meeste toepassingen. Een verdere oplading tot 6 uur zal echter, afhankelijk van de toestand van de accu en de oplaadomstandigheden, de gebruikstijd sterk verlengen.
- ◆ Verwijder de accu uit de oplader.

Oplader zonder oplaadstation (fig. E)

- ◆ Om de accu op te laden moet u ervoor zorgen dat deze in de boomachine is geplaatst.
- ◆ Steek de stekker van de oplader (10) in de connector (9).
- ◆ Steek de stekker van de oplader in het stopcontact.

Na normaal gebruik zal een oplaadperiode van 3 uur voldoende zijn voor de meeste toepassingen. Een verdere oplading tot 6 uur zal echter, afhankelijk van de toestand van de accu en de oplaadomstandigheden, de gebruikstijd sterk verlengen.

- ◆ Ontkoppel de machine van de oplader.

Waarschuwing! Gebruik de machine niet terwijl hij gekoppeld is aan de oplader.


Selecteren van de draairichting

Kies voor boren en schroeven indraaien de draairichting rechtsom (met de klok mee). Kies voor schroeven losdraaien of voor het verwijderen van een vastgelopen boor de draairichting linksom (tegen de klok in).

- ◆ Om de draairichting rechtsom te selecteren, drukt u de links/rechts-schakelaar (2) naar links.
- ◆ Om de draairichting linksom te selecteren, drukt u de links/rechts-schakelaar naar rechts.
- ◆ Om de machine te vergrendelen, zet u de links/rechts-schakelaar in de middenpositie.

De werkmodus of het koppel selecteren (fig. F)

Deze machine is voorzien van een kraag om de werkmodus te selecteren en het koppel in te stellen voor het vastdraaien van schroeven. Grote schroeven en werkstukken van harde materialen vereisen een hogere koppelinstelling dan kleine schroeven en werkstukken van zachte materialen. De kraag bevat een groot aantal instellingen om op uw toepassing af te stellen.

- ◆ Voor boren in hout, metaal en kunststoffen zet u de kraag (3) in de boorpositie door het symbool  op één lijn met de markering (15) te brengen.
- ◆ Voor schroevendraaien zet u de kraag in de gewenste stand. Als u de geschikte stand nog niet kent, gaat u als volgt te werk:
 - Zet de kraag (3) op de laagste koppelinstelling.
 - Draai de eerste schroef in.
 - Als de koppeling slijt voordat het gewenste resultaat is bereikt, verhoogt u de koppelstand en gaat u verder met het indraaien van de schroef. Herhaal totdat u de juiste stand bereikt. Gebruik deze stand voor de resterende schroeven.

Aan- en uitschakelen

Variabele-snelheidsschakelaar

- ◆ Om de machine in te schakelen, drukt u de variabele-snelheidsschakelaar (1) in. De machinesnelheid hangt af van hoever u de schakelaar indrukt.
- ◆ Om de machine uit te schakelen, laat u de variabele-snelheidsschakelaar los.

Twee snelheden aan/uit-schakelaar

- ◆ Om de machine in te schakelen, drukt u de aan/uit-schakelaar (1) in. Als de schakelaar lichtjes wordt ingedrukt, loopt de machine op lage snelheid. Als de schakelaar verder wordt ingedrukt, loopt de machine op hoge snelheid.

- ◆ Om de machine uit te schakelen, laat u de variabele-snelheidsschakelaar los.

Tips voor optimaal gebruik

Boren

- ◆ Voer altijd lichte druk uit in een rechte lijn met de boor.
- ◆ Verminder de druk op de machine net voordat de boorpunt door de andere kant van het werkstuk heengaat.
- ◆ Gebruik een blok hout om werkstukken die kunnen versplinteren te beschermen.
- ◆ Gebruik houtboren voor het boren van grote gaten in hout.
- ◆ Gebruik HSS-boren voor het boren in metaal.
- ◆ Gebruik steenboorbits voor boren in zacht metselwerk.
- ◆ Gebruik een smeermiddel voor boren in andere metalen dan gietijzer en koper.
- ◆ Maak een inkerving met behulp van een centerprons in het midden van het te boren gat om de nauwkeurigheid te vergroten.

Schroeven

- ◆ Gebruik altijd het juiste type en de juiste maat schroefbit.
- ◆ Als schroeven moeilijk in te draaien zijn, gebruik dan een beetje vloeibaar wasmiddel of zeep als smeermiddel.
- ◆ Houd de machine en schroefbit altijd in een rechte lijn met de schroef.

Onderhoud

Uw Black & Decker machine is ontworpen om gedurende langere periode te functioneren met een minimum aan onderhoud. Voortdurend tevreden gebruik is afhankelijk van correct onderhoud en regelmatig schoonmaken.

Uw oplader heeft geen ander onderhoud dan een regelmatig reiniging.

Waarschuwing! Verwijder de accu van de machine alvorens onderhoudswerkzaamheden uit te voeren. Koppel voor het reinigen van de oplader de netstekker los van het lichtnet.

- ◆ Reinig regelmatig de ventilatieopeningen van de machine en oplader met behulp van een zachte borstel of een droge doek.
- ◆ Reinig regelmatig de behuizing van de motor met een vochtige doek. Gebruik geen schuur- of oplosmiddel.
- ◆ Open regelmatig de boorhouder en tik zachtjes om eventueel stof uit de binnenkant te verwijderen.

Milieu



Gescheiden inzameling. Dit product mag niet met het gewone huishoudelijke afval worden weggegooid.

Wanneer uw oude Black & Deckerproduct aan vervanging toe is of het u niet langer van dienst kan zijn, gooi het dan niet bij het huishoudelijk afval. Zorg ervoor dat het product gescheiden kan worden ingezameld.



Door gebruikte producten en verpakkingen gescheiden in te zamelen, worden de materialen gerecycled en opnieuw gebruikt. Hergebruik van gerecyclede materialen voorkomt milieuvuiling en vermindert de vraag naar grondstoffen.

Inzamelpunten voor gescheiden inzameling van elektrische huishoudproducten bij gemeentelijke vuilnisbergen of bij de verkoper waar u een nieuw product koopt, kunnen aan plaatselijke voorschriften gebonden zijn.

Black & Decker biedt de mogelijkheid tot inzamelen en recyclen van afgedankte Black & Decker producten. Om gebruik van deze service te maken, dient u het product aan een van onze servicecentra te sturen, die voor ons de inzameling verzorgen.

U kunt het adres van het dichtstbijzijnde servicecentrum opvragen via de adressen op de achterzijde van deze handleiding. U kunt ook een lijst van onze servicecentra en meer informatie m.b.t. onze klantenservice vinden op het volgende Internet-adres: www.2helpU.com

Accu's



Black & Decker accu's kunnen vele malen opnieuw worden opgeladen. Versleten accu's dienen op milieubewuste wijze te worden verwijderd:

- ◆ Gebruik de energie van de accu helemaal op en verwijder hem dan van de machine.
- ◆ NiCd-, NiMH- en Li-Ion-accu's zijn te recyclen. Breng ze naar een servicecentrum of naar een plaatselijk verwerkingscentrum voor klein chemisch afval.

Technische gegevens

		CD12	CD112	CD96
Spanning	V_{DC}	12	12	9,6
Onbelast toerental	min^{-1}	700	700	700
Max. koppel	Nm	8	8	7,5
Boorhoudercapaciteit	mm	10	10	10
Max. boorcapaciteit				
Staal	mm	10	10	10
Hout	mm	25	25	25
Gewicht	kg	0,9	0,9	0,7

		CD14	CD18
Spanning	V_{DC}	14,4	18
Onbelast toerental	min^{-1}	750	850
Max. koppel	Nm	12,5	13
Boorhoudercapaciteit	mm	10	10
Max. boorcapaciteit			
Staal	mm	10	10
Hout	mm	25	25
Gewicht	kg	1,01	1,03

		KC12GT	KC14GT
Spanning	V_{DC}	12	14,4
Onbelast toerental	min^{-1}	700	750
Max. koppel	Nm	8	12,5
Boorhoudercapaciteit	mm	10	10
Max. boorcapaciteit			
Staal	mm	10	10
Hout	mm	25	25
Gewicht	kg	0,9	1,01

Accu		A9251	A9252	A9262
Spanning	V_{DC}	9,6	12	14,4
Capaciteit	Ah	1,3	1,0	1,2
Gewicht	kg	0,365	0,5	0,7

Accu		A9272	A9282
Spanning	V_{DC}	9,6	18
Capaciteit	Ah	1,5	1,2
Gewicht	kg	0,465	0,73

Oplader

Netspanning	V_{AC}	220-240
Gemiddelde oplaadtijd	h	3

EG-conformiteitsverklaring

CD12/CD112/CD96/CD14/CD18/KC12GT/KC14GT

Black & Decker verklaart dat deze producten in overeenstemming zijn met:

98/37/EG, EN 60745

Niveau van de geluidsdruk, gemeten volgens EN 60745:

Geluidsdruk (L_{pA}) 68 dB(A), onzekerheid (K) 3 dB(A)

Geluidsvermogen (L_{WA}) 79 dB(A), onzekerheid (K) 3 dB(A)

Totale trillingswaarden (triaxale vectorsom) volgens EN 60745:

Boren in metaal ($a_{n,D}$) < 2.5 m/s², onzekerheid (K) 1,5 m/s²

In- en uitdraaien van schroeven zonder stootkracht

($a_{n,s}$) < 2.5 m/s², onzekerheid (K) 1,5 m/s²



Kevin Hewitt

Director of Consumer Engineering

Spennymoor, County Durham DL16 6JG,

Verenigd Koninkrijk

5-2-2008

Garantie

Black & Decker heeft vertrouwen in zijn producten en biedt een uitstekende garantie. Deze garantiebepalingen vormen een aanvulling op uw wettelijke rechten en beperken deze niet. De garantie geldt in de lidstaten van de Europese Unie en de Europese Vrijhandelsassociatie.

Mocht uw Black & Decker product binnen 24 maanden na datum van aankoop defect raken tengevolge van materiaal- of constructiefouten, dan garanderen wij de kosteloze vervanging van defecte onderdelen, de reparatie van het product of de vervanging van het product, tenzij:

- ◆ Het product is gebruikt voor handelsdoeleinden, professionele toepassingen of verhuurdoeleinden;
- ◆ Het product onoordeelkundig is gebruikt;
- ◆ Het product is beschadigd door invloeden van buitenaf of door een ongeval;
- ◆ Reparaties zijn uitgevoerd door anderen dan onze servicecentra of Black & Decker personeel.

Om een beroep op de garantie te doen, dient u een aankoopbewijs te overhandigen aan de verkoper of een van onze servicecentra. U kunt het adres van het dichtstbijzijnde servicecentrum opvragen via de adressen op de achterzijde van deze handleiding. U kunt ook een lijst van onze servicecentra en meer informatie m.b.t. onze klantenservice vinden op het volgende Internet-adres: www.2helpU.com

Meld u aan op onze website www.blackanddecker.nl om te

worden geïnformeerd over nieuwe producten en speciale aanbiedingen. Verdere informatie over het merk Black & Decker en onze producten vindt u op www.blackanddecker.nl

Finalidad

Su taladro/destornillador Black & Decker está diseñado para atornillar y destornillar así como para taladrar madera, metal y plástico. Esta herramienta está pensada únicamente para uso doméstico.

Instrucciones de seguridad

Advertencias de seguridad generales para herramientas eléctricas



¡Atención! Lea todas las advertencias e instrucciones de seguridad. En caso de no respetarse las advertencias e instrucciones indicadas a continuación, podría producirse una descarga eléctrica, incendio y/o lesión grave.

Conserve todas las advertencias e instrucciones para su posterior consulta. El término "herramienta eléctrica" empleado en las advertencias indicadas a continuación se refiere a la herramienta eléctrica con alimentación de red (con cable) o alimentada por pila (sin cable).

1. **Seguridad del área de trabajo**
 - a. **Mantenga limpia y bien iluminada el área de trabajo.**
El desorden o una iluminación deficiente en las áreas de trabajo pueden provocar accidentes.
 - b. **No utilice la herramienta eléctrica en un entorno con peligro de explosión, en el que se encuentren combustibles líquidos, gases o material en polvo.**
Las herramientas eléctricas producen chispas que pueden llegar a inflamar los materiales en polvo o vapores.
 - c. **Mantenga alejados a los niños y otras personas del área de trabajo al emplear la herramienta eléctrica.**
Una distracción le puede hacer perder el control sobre la herramienta.
2. **Seguridad eléctrica**
 - a. **El enchufe de la herramienta eléctrica debe corresponder a la toma de corriente utilizada. No es admisible modificar el enchufe en forma alguna. No emplee adaptadores en herramientas eléctricas dotadas con una toma de tierra.** Los enchufes sin modificar adecuados a las respectivas tomas de corriente reducen el riesgo de una descarga eléctrica.
 - b. **Evite que su cuerpo toque partes conectadas a tierra como tuberías, radiadores, cocinas y refrigeradores.** El riesgo a quedar expuesto a una descarga eléctrica es mayor si su cuerpo tiene contacto con tierra.
 - c. **No exponga las herramientas eléctricas a la lluvia y evite que penetren líquidos en su interior.** Existe el peligro de recibir una descarga eléctrica si penetran ciertos líquidos en la herramienta eléctrica.
 - d. **Cuide el cable eléctrico. No utilice el cable eléctrico para transportar o colgar la herramienta eléctrica, ni tire de él para sacar el enchufe de la toma de corriente. Mantenga el cable eléctrico alejado del calor, aceite, bordes afilados o piezas móviles.** Los cables eléctricos dañados o enredados pueden provocar una descarga eléctrica.
 - e. **Al trabajar con la herramienta eléctrica en la intemperie utilice solamente cables alargadores homologados para su uso en exteriores.** La utilización de un cable alargador adecuado para su uso en exteriores reduce el riesgo de una descarga eléctrica.
 - f. **Si fuera inevitable la utilización de una herramienta eléctrica en un lugar húmedo, utilice un suministro protegido con un dispositivo de corriente residual (RCD).** La utilización de un dispositivo de corriente residual reduce el riesgo de descarga eléctrica.
3. **Seguridad personal**
 - a. **Esté atento a lo que hace y emplee la herramienta eléctrica con prudencia. No utilice la herramienta eléctrica si estuviese cansado, ni tampoco después de haber consumido alcohol, drogas o medicamentos.** El no estar atento durante el uso de una herramienta eléctrica puede provocarle serias lesiones.
 - b. **Utilice equipos de protección personal. Lleve siempre protección ocular.** Los equipos de protección tales como una mascarilla antipolvo, zapatos de seguridad con suela antideslizante, casco o protectores auditivos, utilizados en condiciones adecuadas, contribuyen a reducir las lesiones personales.
 - c. **Evite una puesta en marcha involuntaria. Asegúrese de que el interruptor esté en la posición de apagado antes de conectar a la fuente de alimentación o la batería, coger o transportar la herramienta.** Si se transportan herramientas eléctricas con el dedo sobre el interruptor o si se enchufan con el interruptor encendido puede dar lugar a accidentes.
 - d. **Retire las herramientas de ajuste o llaves fijas antes de conectar la herramienta eléctrica.** Una herramienta o llave colocada en una pieza giratoria de la herramienta eléctrica puede producir lesiones al ponerse a funcionar.
 - e. **Sea precavido. Evite adoptar una posición que fatigue su cuerpo; mantenga un apoyo firme sobre el suelo y conserve el equilibrio en todo momento.** Ello le permitirá controlar mejor la herramienta eléctrica en caso de presentarse una situación inesperada.

- f. **Lleve puesta una vestimenta de trabajo adecuada. No lleve vestidos anchos ni joyas. Mantenga su pelo, vestimenta y guantes alejados de las piezas móviles.** La vestimenta suelta, las joyas y el pelo largo se pueden enganchar con las piezas en movimiento.
- g. **Siempre que sea posible utilizar unos equipos de aspiración o captación de polvo, asegúrese que éstos estén montados y que sean utilizados correctamente.** El empleo de equipos de recogida de polvo reduce los riesgos derivados del polvo.

4. Uso y cuidado de herramientas eléctricas

- a. **No sobrecargue la herramienta eléctrica. Use la herramienta eléctrica prevista para el trabajo a realizar.** Con la herramienta eléctrica adecuada podrá trabajar mejor y más seguro dentro del margen de potencia indicado.
- b. **No utilice herramientas eléctricas con un interruptor defectuoso.** Las herramientas eléctricas que no se puedan conectar o desconectar son peligrosas y deben hacerse reparar.
- c. **Desconecte el enchufe de la fuente eléctrica y/o la batería de la herramienta eléctrica antes de realizar ajustes, cambiar accesorios o almacenar la herramienta eléctrica.** Esta medida preventiva reduce el riesgo de conectar accidentalmente la herramienta eléctrica.
- d. **Guarde las herramientas eléctricas fuera del alcance de los niños y de las personas que no estén familiarizadas con su uso.** Las herramientas eléctricas utilizadas por personas inexpertas son peligrosas.
- e. **Cuide sus herramientas eléctricas con esmero. Controle si funcionan correctamente, sin atascarse, las partes móviles de la herramienta eléctrica, y si existen partes rotas o deterioradas que pudieran afectar al funcionamiento de la herramienta. Si la herramienta eléctrica estuviese defectuosa haga que la reparen antes de volver a utilizarla.** Muchos accidentes se deben a herramientas eléctricas con un mantenimiento deficiente.
- f. **Mantenga las herramientas de corte limpias y afiladas.** Las herramientas de corte mantenidas correctamente se dejan guiar y controlar mejor.
- g. **Utilice la herramienta eléctrica, los accesorios y las puntas de la herramienta, etc. de acuerdo a estas instrucciones, teniendo en cuenta las condiciones de trabajo y la tarea a realizar.** El uso de herramientas eléctricas para trabajos diferentes de aquellos para los que han sido concebidas puede resultar peligroso.

5. Uso y cuidado de herramientas con batería

- a. **Recargue la batería únicamente con el cargador especificado por el fabricante.** Un cargador adecuado para un tipo de batería puede provocar un incendio si se utiliza con otra batería.

- b. **Use las herramientas únicamente con las baterías específicamente designadas.** El uso de cualquier otra batería puede provocar lesiones o un incendio.
- c. **Cuando no utilice la batería, manténgala alejada de objetos metálicos como clips, monedas, llaves, clavos, tornillos, o cualquier otro objeto metálico pequeño que pueda dar lugar a una conexión entre los bornes.** El cortocircuito entre los bornes de la batería puede ocasionar quemaduras o un incendio.
- d. **Un mal uso puede dar lugar a que la pila pierda líquido; evite cualquier contacto con el líquido.**

Si accidentalmente entra en contacto con el líquido, enjuáguese con agua. Si le entra líquido en los ojos, busque rápidamente asistencia médica. El líquido que pierde la pila puede ocasionar irritación o quemaduras.

6. Servicio técnico

- a. **Haga reparar su herramienta eléctrica sólo por personal técnico autorizado que emplee exclusivamente piezas de repuesto originales.** Solamente así se garantiza la seguridad de la herramienta eléctrica.

Advertencias de seguridad adicionales para herramientas eléctricas



¡Atención! Advertencias de seguridad adicionales para taladros y taladros percutores

- ◆ **Lleve protección acústica cuando utilice taladros percutores.** La exposición al ruido puede provocar la pérdida de audición.
- ◆ **Utilice las empuñaduras auxiliares que se suministran con la herramienta.** La pérdida de control puede provocar lesiones personales.
- ◆ **Sujete la herramienta eléctrica únicamente por las empuñaduras aisladas al realizar trabajos en los que el accesorio de corte pueda tocar cables eléctricos ocultos o su propio cable.** El accesorio de corte que haga contacto con cables con corriente pueden hacer que las partes metálicas al descubierto de la herramienta eléctrica provoquen una descarga al usuario.
- ◆ **Utilice mordazas u otra forma práctica para fijar y soportar la pieza de trabajo a una plataforma estable.** Sujetar el trabajo a mano o contra su cuerpo hace que pierda estabilidad y puede provocar la pérdida de control.
- ◆ **Antes de taladrar paredes, suelos o techos, compruebe la ubicación de cableados y tuberías.**
- ◆ **Evite tocar la punta de la broca inmediatamente después de taladrar, ya que estará caliente.**

- ◆ Esta herramienta no está destinada para ser utilizada por personas (niños incluidos) con capacidades físicas, sensoriales o mentales reducidas, o que carezcan de experiencia y conocimiento, a menos que reciban supervisión o instrucción respecto al uso de la misma por una persona responsable de su seguridad. Debe vigilarse a los niños para asegurarse de que no jueguen con el aparato.
- ◆ En este manual se explica el uso previsto de la herramienta. El uso de otros accesorios, adaptadores, o la propia utilización de la herramienta en cualquier forma diferente de las recomendadas en este manual de instrucciones puede constituir un riesgo de lesiones a las personas y/o daños materiales.



No intente cargar baterías en mal estado.

Cargadores

- ◆ Use el cargador Black & Decker únicamente para cargar baterías del tipo suministrado. Otras baterías podrían estallar, causando daños y lesiones personales.
- ◆ Nunca intente cargar baterías no recargables.
- ◆ Sustituya inmediatamente los cables defectuosos.
- ◆ No exponga el cargador al agua.
- ◆ No abra el cargador.
- ◆ No manipule el cargador.



El cargador está pensado únicamente para su uso en interiores.

Vibración

Los valores declarados de emisión de vibración indicados en los datos técnicos y la declaración de conformidad se han medido de acuerdo a un método de prueba estándar contemplado por la EN 60745 y puede utilizarse para comparar una herramienta con otra. El valor declarado de emisión de vibración también puede utilizarse en una evaluación preliminar de exposición.

¡Atención! El valor de emisión de vibración durante el uso real de la herramienta eléctrica puede variar del valor declarado en función del modo de utilización de la herramienta. El nivel de vibración puede aumentar por encima del valor indicado.

Cuando se evalúe la exposición a la vibración con el fin de determinar las medidas de seguridad exigidas por la 2002/44/CE para proteger a las personas que utilizan herramientas eléctricas en su empleo con regularidad, una estimación de la exposición a la vibración debe considerar las condiciones reales de uso y la forma en que se utiliza la herramienta, teniendo en cuenta incluso todas las partes del ciclo de trabajo como los momentos en que la herramienta se apaga y cuando está conectada sin funcionar además del tiempo de accionamiento.

Etiquetas sobre la herramienta

En la herramienta se indican los siguientes pictogramas:



¡Atención! Para reducir el riesgo de lesiones, el usuario debe leer el manual de instrucciones.

Seguridad eléctrica



El cargador lleva un doble aislamiento; por lo tanto no requiere una toma a tierra. Compruebe siempre que la tensión de la red corresponda al valor indicado en la placa de características.

Instrucciones de seguridad adicionales para baterías y cargadores

Baterías

- ◆ Nunca, por ningún motivo, trate de abrir las baterías.
- ◆ No exponga la batería al agua.
- ◆ No exponga la batería al calor.
- ◆ No las almacene en lugares donde la temperatura pueda superar los 40 °C.
- ◆ Cargue las baterías únicamente a temperaturas entre 10 y 40 °C.
- ◆ Recargue utilizando únicamente el cargador suministrado con la herramienta.
- ◆ Cuando deseche las baterías, siga las instrucciones indicadas en la sección "Protección del medio ambiente".
- ◆ Bajo condiciones extremas, las pilas podrían perder líquido. Si observa que la batería ha perdido líquido, proceda del modo siguiente:
 - Limpie cuidadosamente el líquido con un paño. Evite el contacto con la piel.
 - En caso de producirse contacto con la piel o los ojos, siga estas instrucciones.

¡Atención! El líquido de la batería es una solución con un 25-30% de hidróxido de potasio, y puede resultar nocivo. En caso de que entre en contacto con la piel, lávese inmediatamente con agua. Neutralícelo con un ácido suave como zumo de limón o vinagre. En caso de contacto con los ojos, láveselos con abundante agua limpia durante, al menos, 10 minutos. Consulte a un médico.



¡Peligro de incendio! Evite que se produzcan cortocircuitos entre los polos de una batería desconectada (por ejemplo, si protección la batería en una caja de herramientas metálicas).



No arroje la batería al fuego.

No intente nunca sustituir el cargador por un enchufe normal a la red.

- ◆ Si el cable eléctrico está estropeado, debe ser sustituido por el fabricante o un servicio técnico autorizado de Black & Decker con el fin de evitar accidentes.

Características

Esta herramienta incluye alguna o todas las características siguientes.

1. Interruptor de velocidad variable o interruptor de encendido/apagado de dos velocidades
2. Guía de deslizamiento de avance/retroceso
3. Selector de modo / anillo de ajuste del par de apriete
4. Portabrocas
5. Batería
6. Botón liberador de batería

Fig. D & E

7. Cargador
8. Base de carga
9. Conector del cargador
10. Enchufe del cargador

Montaje

¡Atención! Antes de proceder al montaje, extraiga siempre la batería.

Colocación y retirada de la batería (fig. A)

- ◆ Para introducir la batería (5), colóquela en línea con el alojamiento sobre la herramienta. Introduzca la batería en el alojamiento y empujela hasta que encaje en su sitio.
- ◆ Para retirar la batería, presione los dos botones de liberación (6) simultáneamente mientras extrae la batería del receptáculo.

Colocación y extracción de una broca de taladrar o una broca de atornillar (fig. B)

¡Atención! Extraiga primero la batería de la herramienta.

Esta herramienta lleva un portabrocas sin llave para facilitar el intercambio de puntas.

- ◆ Bloquee la herramienta colocando la guía de deslizamiento de avance/retroceso (2) en la posición central.
- ◆ Abra el portabrocas girando la pieza delantera (11) con una mano mientras sujeta la pieza posterior (12) con la otra (fig. B).
- ◆ Inserte el eje de la broca (17) en el portabrocas.
- ◆ Apriete firmemente el portabrocas girando la pieza delantera (11) con una mano mientras sujeta la pieza posterior (12) con la otra.

Retirada y reinstalación del portabrocas (fig. C)

- ◆ Abra el portabrocas al máximo posible.
- ◆ Quite el tornillo de sujeción del portabrocas girándolo en el sentido de las agujas del reloj con un destornillador.
- ◆ Apriete una llave Allen (14) en el portabrocas, golpeando con un martillo como se muestra.
- ◆ Quite la llave Allen.
- ◆ Saque el portabrocas girándolo en el sentido contrario a las agujas del reloj.
- ◆ Para reinstalar el portabrocas, enrósquelo en el eje y fijelo con el tornillo de sujeción del portabrocas.

Uso

¡Atención! Deje que la herramienta funcione a su ritmo. No lo sobrecargue.

Carga de la batería

La batería debe cargarse antes de usarla por primera vez y siempre que no obtenga la suficiente potencia en trabajos que antes efectuaba con facilidad. Cuando cargue la batería por primera vez, o después de un prolongado almacenaje, sólo obtendrá una carga del 80%. Después de varios ciclos de carga y descarga, la batería alcanzará su capacidad máxima. Durante la carga, la batería podría calentarse; esto es normal y no indica ningún problema.

¡Atención! No cargue la batería a una temperatura ambiente inferior a 4 °C o superior a 40 °C. Temperatura recomendada de carga: aprox. 24 °C.

Cargador con base de carga (fig. D)

- ◆ Para cargar la batería (5), extráigala de la herramienta e insértela en la base de carga (8). La batería encajará en el cargador sólo en un sentido. No la fuerce. Compruebe que la batería está totalmente insertada en la base de carga.
- ◆ Enchufe el cargador.

Tras una utilización normal, será suficiente con un tiempo de carga de 3 horas para la mayoría de las aplicaciones. No obstante, una carga de hasta 6 horas podría incrementar, significativamente, el tiempo de uso, dependiendo de la batería y de las condiciones de carga.

- ◆ Extraiga la batería del cargador.

Cargador sin base de carga (fig. E)

- ◆ Para cargar la batería, asegúrese de que está montada en la taladradora.
- ◆ Inserte la clavija del cargador (10) en el conector (9).
- ◆ Enchufe el cargador.

Tras una utilización normal, será suficiente con un tiempo de carga de 3 horas para la mayoría de las aplicaciones.

No obstante, una carga de hasta 6 horas podría incrementar, significativamente, el tiempo de uso, dependiendo de la batería y de las condiciones de carga.

- ◆ Desconecte la herramienta del cargador.

¡Atención! No utilice la herramienta mientras esté conectada al cargador.


Selección de la dirección de rotación

Para taladrar y apretar tornillos, use la rotación directa (en el sentido de las agujas del reloj). Para aflojar tornillos o para extraer una broca atascada, use la rotación inversa (en sentido contrario a las agujas del reloj).

- ◆ Para seleccionar la rotación directa, empuje la guía de deslizamiento de avance/retroceso (2) hacia la izquierda.
- ◆ Para seleccionar la rotación inversa, empuje la guía de deslizamiento de avance/retroceso hacia la derecha.
- ◆ Para bloquear la herramienta, coloque la guía de deslizamiento de avance/retroceso en la posición central.

Selección del modo de funcionamiento o del par de torsión (fig. F)

Esta herramienta lleva acoplado un collarín para seleccionar el modo de funcionamiento o para ajustar el par de apriete de los tornillos. Los tornillos grandes y el material duro de las piezas a trabajar requieren un ajuste de par de apriete mayor que los tornillos pequeños y el material blando de las piezas de trabajo. El anillo dispone de una amplia gama de ajustes que se ajustan a sus necesidades.

- ◆ Para taladrar madera, metal y plásticos, coloque el anillo (3) en la posición de taladrado alineando el símbolo  con la marca (15).
- ◆ Para atornillar, coloque el anillo en el valor deseado. Si todavía no sabe cuál es el valor apropiado, proceda del modo siguiente:
 - Ponga el anillo (3) en el ajuste de par de apriete más bajo.
 - Apriete el primer tornillo.
 - Si el embrague patina y hace ruido antes de lograr el resultado deseado, aumente el valor del anillo y continúe apretando el tornillo. Repita el procedimiento hasta que alcance el ajuste correcto. Utilice dicho ajuste para los tornillos restantes.

Encendido y apagado

Interruptor de velocidad variable

- ◆ Para encender la herramienta, pulse el interruptor de velocidad variable (1). La velocidad de la herramienta dependerá de hasta dónde pulse el interruptor.
- ◆ Para apagar la herramienta, suelte el interruptor de velocidad variable.

Interruptor de encendido/apagado de dos velocidades

- ◆ Para encender la herramienta, pulse el interruptor de encendido/apagado (1). Cuando se presiona ligeramente el interruptor, la herramienta trabajará a baja velocidad. Cuando se presiona con más fuerza el interruptor, la herramienta trabajará a alta velocidad.
- ◆ Para apagar la herramienta, suelte el interruptor de velocidad variable.

Consejos para un uso óptimo

Perforación

- ◆ Aplique siempre una suave presión en línea recta con la broca.
- ◆ Justo antes de que la punta de la broca atraviese la pieza de trabajo, disminuya la presión sobre la herramienta.
- ◆ Use un bloque de madera como soporte de piezas de trabajo que puedan astillarse.
- ◆ Use brocas de pala para taladrar agujeros de gran diámetro en madera.
- ◆ Use brocas de acero rápido (HSS) para taladrar metal.
- ◆ Use brocas de mampostería para taladrar mampostería blanda.
- ◆ Use un lubricante para taladrar metales distintos del hierro fundido y el latón.
- ◆ Haga una marca con un punzón de perforar en el centro del orificio que desea taladrar para mayor precisión.

Atornillado

- ◆ Use siempre el tipo y el tamaño adecuado de punta de atornillar.
- ◆ Si le resulta difícil apretar los tornillos, intente aplicar una pequeña cantidad de jabón o líquido jabonoso como lubricante.
- ◆ Sujete siempre la herramienta y la punta de atornillar en línea recta con el tornillo.

Mantenimiento

Su herramienta Black & Decker está diseñada para que funcione durante un largo periodo de tiempo con un mantenimiento mínimo. El funcionamiento satisfactorio continuado depende de un cuidado apropiado y una limpieza periódica de la herramienta.

Su cargador no requiere ningún mantenimiento aparte de una limpieza periódica.

¡Atención! Antes de efectuar cualquier mantenimiento en la herramienta, retire la batería de la herramienta. Desenchufe el cargador antes de limpiarlo.

- ◆ Limpie periódicamente las ranuras de ventilación de la herramienta y del cargador con un cepillo suave o un paño seco.

- ◆ Limpie periódicamente la carcasa del motor con un paño húmedo. No utilice ninguna sustancia limpiadora abrasiva o que contenga disolventes.
- ◆ Abra periódicamente el portabrocas y golpéelo suavemente para extraer el polvo del interior.

Protección del medio ambiente



Separación de desechos. Este producto no debe desecharse con la basura doméstica normal.

Si llega el momento de reemplazar su producto Black & Decker o éste ha dejado de tener utilidad para usted, no lo deseché con la basura doméstica normal. Asegúrese de que este producto se deseche por separado.



La separación de desechos de productos usados y embalajes permite que los materiales puedan reciclarse y reutilizarse. La reutilización de materiales reciclados ayuda a evitar la contaminación medioambiental y reduce la demanda de materias primas.

La normativa local puede prever la separación de desechos de productos eléctricos de uso doméstico en centros municipales de recogida de desechos o a través del distribuidor cuando adquiere un nuevo producto.

Black & Decker proporciona facilidades para la recogida y el reciclado de los productos Black & Decker que hayan llegado al final de su vida útil. Para hacer uso de este servicio, devuelva su producto a cualquier servicio técnico autorizado, que lo recogerá en nuestro nombre.

Pueden consultar la dirección de su servicio técnico más cercano poniéndose en contacto con la oficina local de Black & Decker en la dirección que se indica en este manual. Como alternativa, puede consultar en Internet la lista de servicios técnicos autorizados e información completa de nuestros servicios de posventa y contactos en la siguiente dirección:

www.2helpU.com

Baterías



Las baterías Black & Decker pueden recargarse muchas veces. Cuando se agoten, deséchelas respetando las normas de protección del entorno:

- ◆ Utilice la batería hasta que se agote por completo y luego retírela de la herramienta.
- ◆ Las baterías NiCd, NiMH y Li-Ion son reciclables. Llévelas a cualquier servicio técnico autorizado o a un centro de reciclado.

Características técnicas

		CD12	CD112	CD96
Voltaje	V_{DC}	12	12	9,6
Velocidad sin carga	min^{-1}	700	700	700
Par de apriete máx.	Nm	8	8	7,5
Capacidad del portabrocas	mm	10	10	10
Capacidad máx. de perforación				
Acero	mm	10	10	10
Madera	mm	25	25	25
Peso	kg	0,9	0,9	0,7

Características técnicas

		CD14	CD18
Voltaje	V_{DC}	14,4	18
Velocidad sin carga	min^{-1}	750	850
Par de apriete máx.	Nm	12,5	13
Capacidad del portabrocas	mm	10	10
Capacidad máx. de perforación			
Acero	mm	10	10
Madera	mm	25	25
Peso	kg	1,01	1,03

		KC12GT	KC14GT
Voltaje	V_{DC}	12	14,4
Velocidad sin carga	min^{-1}	700	750
Par de apriete máximo	Nm	8	12,5
Capacidad del portabrocas	mm	10	10
Capacidad máx. de perforación			
Acero	mm	10	10
Madera	mm	25	25
Peso	kg	0,9	1,01

Batería		A9251	A9252	A9262
Voltaje	V_{DC}	9,6	12	14,4
Capacidad	Ah	1,3	1,0	1,2
Peso	kg	0,365	0,5	0,7

Batería		A9272	A9282
Voltaje	V_{DC}	9,6	18
Capacidad	Ah	1,5	1,2
Peso	kg	0,465	0,73

Cargador

Tensión de la red	V_{AC}	220-240
Tiempo aproximado de carga	h	3

Declaración de conformidad CE

CD12/CD112/CD96/CD14/CD18/KC12GT/KC14GT

Black & Decker declara que estos productos cumplen las normas siguientes:
98/37/CE, EN 60745

Nivel de la presión acústica según EN 60745:

Presión acústica (L_{pA}) 68 dB(A), incertidumbre (K) 3 dB(A)

Presión acústica (L_{wA}) 79 dB(A), incertidumbre (K) 3 dB(A)

Valores totales de vibración (suma de vector triaxial) según EN 60745:

Perforación en metal ($a_{h,D}$) < 2.5 m/s²,
incertidumbre (K) 1,5 m/s²

Atomillado sin percusión ($a_{h,S}$) < 2.5 m/s²,
incertidumbre (K) 1,5 m/s²



Kevin Hewitt

Director de Ingeniería del Consumidor
Spennymoor, County Durham DL16 6JG,
Reino Unido
5-2-2008

Para reclamar en garantía, será necesario que presente la prueba de compra al vendedor o al servicio técnico de reparaciones autorizado. Pueden consultar la dirección de su servicio técnico más cercano poniéndose en contacto con la oficina local de Black & Decker en la dirección que se indica en este manual. Como alternativa, se puede consultar en Internet, en la dirección siguiente, la lista de servicios técnicos autorizados e información completa de nuestros servicios de postventa y contactos:

www.2helpU.com

Visite nuestro sitio web **www.blackanddecker.eu** para registrar su nuevo producto Black & Decker y mantenerse al día sobre nuestros productos y ofertas especiales. Encontrará información adicional sobre la marca Black & Decker y nuestra gama de productos en **www.blackanddecker.eu**

Garantía

Black & Decker confía plenamente en la calidad de sus productos y ofrece una garantía extraordinaria. Esta declaración de garantía es una añadida, y en ningún caso un perjuicio para sus derechos estatutarios. La garantía es válida dentro de los territorios de los Estados Miembros de la Unión Europea y de los de la Zona Europea de Libre Comercio.

Si un producto Black & Decker resultará defectuoso debido a materiales o mano de obra defectuosos o a la falta de conformidad, Black & Decker garantiza, dentro de los 24 meses de la fecha de compra, la sustitución de las piezas defectuosas, la reparación de los productos sujetos a un desgaste y rotura razonables o la sustitución de tales productos para garantizar al cliente el mínimo de inconvenientes, a menos que:

- ◆ El producto haya sido utilizado con propósitos comerciales, profesionales o de alquiler;
- ◆ El producto haya sido sometido a un uso inadecuado o negligente;
- ◆ El producto haya sufrido daños causados por objetos o sustancias extrañas o accidentes;
- ◆ Se hayan realizado reparaciones por parte de personas que no sean los servicios de reparación autorizados o personal de servicios de Black & Decker.

Utilização

O berbequim aparafusador da Black & Decker foi projectado para aparafusar e furar madeira, metal e plástico. Esta ferramenta destina-se apenas ao doméstico.

Instruções de segurança

Avisos de segurança gerais para ferramentas eléctricas



Advertência! Leia todos os avisos de segurança e instruções. O não cumprimento dos avisos e instruções a seguir pode resultar em choque eléctrico, incêndio e/ou graves lesões.

Guarde todos os avisos e instruções para futura referência. O termo "ferramenta eléctrica", utilizado nas advertências que se seguem, refere-se a ferramentas eléctricas com ligação à corrente eléctrica (com fios) ou operadas a pilha (sem fios).

1. Segurança na área de trabalho

- Mantenha a sua área de trabalho limpa e bem iluminada.** Desordem ou áreas de trabalho com fraca iluminação podem causar acidentes.
- Não utilize ferramentas eléctricas em áreas com risco de explosão, nas quais se encontrem líquidos, gases ou pós inflamáveis.** As ferramentas eléctricas produzem faíscas que podem provocar a ignição de pó e vapores.
- Mantenha crianças e outras pessoas afastadas durante a utilização de ferramentas eléctricas.** As distrações podem dar origem a que perca o controlo da ferramenta.

2. Segurança eléctrica

- A ficha da ferramenta eléctrica deve caber na tomada. A ficha não deve ser modificada de modo algum. Não utilize quaisquer fichas de adaptação com ferramentas eléctricas ligadas à terra.** Fichas inalteradas e tomadas adequadas reduzem o risco de choques eléctricos.
- Evite que o corpo entre em contacto com superfícies ligadas à terra, como por exemplo tubos, radiadores, fogões e frigoríficos.** Há um risco elevado de choques eléctricos, caso o corpo seja ligado à terra.
- As ferramentas eléctricas não devem ser expostas à chuva nem a humidade.** A penetração de água numa ferramenta eléctrica aumenta o risco de choques eléctricos.
- Manuseie o cabo com cuidado. O cabo da ferramenta não deve ser utilizado para o transporte, para puxar a ferramenta, nem para retirar a ficha da tomada.**

Mantenha o cabo afastado de calor, óleo, cantos afiados ou peças em movimento. Cabos danificados ou torcidos aumentam o risco de choques eléctricos.

- Quando a utilização de uma ferramenta eléctrica num local húmido é inevitável, utilize uma fonte de alimentação protegida com um dispositivo de corrente residual (RCD).** A utilização de um RCD reduz o risco de choques eléctricos.
- Segurança pessoal**
 - Mantenha-se atento, observe o que está a fazer e seja prudente durante a utilização de uma ferramenta eléctrica. Não use a ferramenta eléctrica se estiver cansado ou sob a influência de drogas, álcool ou medicamentos.** Um momento de falta de atenção durante a utilização de ferramentas eléctricas pode causar graves lesões.
 - Use equipamento de protecção pessoal. Utilize sempre óculos de protecção.** A utilização de equipamento de protecção pessoal, como por exemplo, máscara de protecção contra pó, sapatos de segurança anti-derrapantes, capacete de segurança ou protecção auricular, de acordo com o tipo e aplicação da ferramenta eléctrica, reduz o risco de lesões.
 - Evite o accionamento involuntário. Certifique-se de que o interruptor está na posição desligada antes de ligar a ferramenta à corrente eléctrica ou a uma bateria, antes de elevar ou transportar a mesma.** O transporte de ferramentas eléctricas com o dedo no interruptor ou a ligação das mesmas à corrente eléctrica com o interruptor ligado provoca acidentes.
 - Retire eventuais chaves de ajuste ou chaves de fenda, antes de ligar a ferramenta eléctrica.** Uma chave de fenda ou chave de ajuste, que se encontre numa peça móvel da ferramenta, pode dar origem a lesões.
 - Não se incline. Mantenha-se sempre bem posicionado e em equilíbrio.** Desta forma, poderá ser mais fácil controlar a ferramenta em situações inesperadas.
 - Utilize vestuário adequado. Não utilize roupas largas nem jóias. Mantenha o cabelo, roupa e luvas afastados de peças em movimento.** Roupas largas, jóias ou cabelos longos podem ser ficar presos nas peças em movimento.
 - Se for prevista a montagem de dispositivos de extracção e recolha de pó, assegure-se de que estão ligados e que são utilizados de forma correcta.** A utilização destes dispositivos reduz os riscos provocados por pó.

4. **Utilização e manutenção da ferramenta eléctrica**
 - a. **Não sobrecarregue a ferramenta eléctrica. Utilize a ferramenta eléctrica correcta para o trabalho que irá realizar.** A ferramenta correcta realizará o trabalho de forma melhor e mais segura dentro da potência indicada.
 - b. **Não utilize a ferramenta eléctrica se o interruptor não puder ser ligado nem desligado.** Qualquer ferramenta eléctrica que não possa ser controlada através do interruptor é perigosa e deve ser reparada.
 - c. **Desligue a ficha da tomada e/ou a bateria da ferramenta eléctrica antes de efectuar quaisquer ajustes, substituir acessórios ou armazenar a ferramenta eléctrica.** Esta medida de segurança evita que a ferramenta eléctrica seja ligada acidentalmente.
 - d. **Mantenha as ferramentas eléctricas que não estiverem a ser utilizadas fora do alcance de crianças. Não permita que a ferramenta seja utilizada por pessoas não familiarizadas com a mesma ou que tenham lido estas instruções.** As ferramentas eléctricas são perigosas se utilizadas por pessoas não qualificadas.
 - e. **Efectue a manutenção das ferramentas eléctricas. Verifique se as peças móveis funcionam perfeitamente e não emperram, bem como se há peças quebradas ou danificadas que possam influenciar o funcionamento da ferramenta. Em caso de danos, solicite a reparação da ferramenta eléctrica antes da sua utilização.** Muitos acidentes têm como causa uma manutenção insuficiente das ferramentas eléctricas.
 - f. **Mantenha as ferramentas de corte sempre afiadas e limpas.** As ferramentas de corte, sujeitas a uma manutenção adequada e com extremidades de corte afiadas, emperram com menos frequência e podem ser controladas com maior facilidade.
 - g. **Utilize a ferramenta eléctrica, os acessórios e as brocas da ferramenta etc., de acordo com estas instruções. Considere também as condições de trabalho e o trabalho a ser efectuado.** A utilização da ferramenta eléctrica para outros fins que não os previstos pode resultar em situações perigosas.
5. **Utilização e manutenção da bateria**
 - a. **Recarregue apenas com o carregador especificado pelo fabricante.** Um carregador que seja adequado a um tipo de bateria pode causar risco de incêndio quando utilizado noutro tipo de bateria.
 - b. **Utilize as ferramentas eléctricas apenas com as baterias especificamente designadas.** A utilização de outro tipo de bateria pode causar risco de lesões ou incêndio.

- c. **Quando a bateria não está a ser utilizada, mantenha-a afastada de quaisquer outros objectos metálicos, como clips de papel, moedas, chaves, pregos, parafusos ou outros objectos metálicos pequenos que possam efectuar a ligação de um terminal para outro.** O contacto de ambos os terminais da bateria pode causar queimaduras ou incêndio.
 - d. **Em condições abusivas, o líquido pode ser ejectado da pila; evite o contacto. Caso isso aconteça, passe por água. Caso o líquido entre em contacto com os olhos, procure ajuda médica.** O líquido ejectado da pilha pode causar irritação ou queimaduras.
6. **Reparação**
 - a. **A sua ferramenta eléctrica só deve ser reparada por pessoal qualificado e só devem ser colocadas peças sobressalentes originais.** Desta forma, é assegurada a segurança da ferramenta eléctrica.

Avisos de segurança adicionais para ferramentas eléctricas



Advertência! Instruções adicionais de segurança para berbequins e berbequins de percussão

- ◆ **Utilize protectores auriculares com os berbequins de percussão.** A exposição ao ruído poderá provocar perda de audição.
- ◆ **Utilize os punhos auxiliares fornecidos com a ferramenta.** A perda de controlo da mesma pode provocar ferimentos pessoais.
- ◆ **Segure sempre a ferramenta pelas superfícies de pega isoladas ao efectuar trabalhos, durante os quais o acessório de corte possa entrar em contacto com cabos eléctricos escondidos ou com o cabo da ferramenta.** O contacto do acessório de corte com um cabo com tensão coloca as partes metálicas da ferramenta eléctrica sob tensão, resultando em choque eléctrico.
- ◆ **Utilize grampos ou outra forma prática de fixar e apoiar a peça de trabalho numa plataforma estável.** Segurar a peça com a mão ou contra o corpo deixa-a instável e poderá resultar em perda de controlo.
- ◆ **Antes de perfurar paredes, pisos ou tectos, verifique a localização de fios e canos.**
- ◆ **Evite tocar na ponta da broca imediatamente após perfurar, pois esta pode estar quente.**
- ◆ **Esta ferramenta não se destina a ser utilizada por pessoas (incluindo crianças) com reduzidas capacidades físicas, sensoriais ou mentais ou falta de experiência e conhecimentos, a menos que tenham recebido instruções ou sejam supervisionadas relativamente à utilização do aparelho por uma pessoa responsável pela sua segurança.**

As crianças deverão ser vigiadas para que não mexam no aparelho.

- ◆ Neste manual indicam-se as aplicações do acessório. O uso de qualquer acessório ou da própria ferramenta para realizar quaisquer operações além das recomendadas neste manual de instruções pode dar origem a ferimentos e/ou danos em propriedade.

Instruções adicionais de segurança para baterias e carregadores

Pilhas

- ◆ Nunca tente abrir a bateria seja qual for a razão.
- ◆ Não deixe que a bateria entre em contacto com a água.
- ◆ Não exponha a bateria ao calor.
- ◆ Não armazene em locais onde a temperatura possa exceder 40 °C.
- ◆ Carregue somente à temperatura ambiente, entre 10 °C e 40 °C.
- ◆ Carregue somente utilizando o carregador fornecido com a ferramenta.
- ◆ Siga as instruções fornecidas na secção "Protecção do meio ambiente" quando desejar desfazer-se das pilhas.
- ◆ Sob condições extremas, é possível que a pilha apresente fugas. Quando notar que há líquido na bateria, proceda da seguinte maneira:
 - Limpe o líquido cuidadosamente utilizando um pano. Evite o contacto com a pele.
 - Em caso de contacto com a pele ou com os olhos, siga as instruções abaixo.

Advertência! O líquido da bateria, uma solução de hidróxido de potássio de 25-30%, pode ser nocivo. Em caso de contacto com a pele, lave imediatamente com água. Neutralize com um ácido suave, como sumo de limão ou vinagre. Em caso de contacto com os olhos, enxágue abundantemente com água limpa durante 10 minutos. Consulte um médico.



Perigo de incêndio! Evite curto-circuito metálico nos contactos de uma bateria (p.e. chaves de porcas na mesma caixa que a bateria).



Não exponha a bateria ao fogo.



Não tente carregar baterias danificadas.

Carregadores

- ◆ Utilize seu carregador Black & Decker somente para carregar as baterias do tipo fornecido com a sua ferramenta. Outras baterias poderiam explodir, causando ferimentos pessoais e estragos.

- ◆ Nunca tente carregar baterias não recarregáveis.
- ◆ Substitua os cabos defeituosos imediatamente.
- ◆ Não deixe que o carregador entre em contacto com a água.
- ◆ Não abra o carregador.
- ◆ Não submeta o carregador a testes.



O carregador destina-se apenas a ser utilizado no interior.

Vibração

Os valores de emissão de vibrações declarados, indicados nos dados técnicos e na declaração de conformidade, foram medidos de acordo com um método de teste padrão providenciado por EN 60745 e podem ser utilizados para efectuar a comparação entre ferramentas. O valor de emissão de vibrações declarado pode também ser utilizado numa avaliação preliminar da exposição.

Advertência! O valor de emissão de vibrações durante a utilização da ferramenta eléctrica pode divergir do valor declarado, dependendo do modo como a ferramenta é utilizada. O nível de vibrações pode aumentar relativamente ao nível indicado.

Durante a avaliação da exposição a fim de determinar as medidas de segurança requeridas pela directiva 2002/44/CE para a protecção de pessoas que utilizam regularmente ferramentas eléctricas nas respectivas profissões, o cálculo da exposição a vibrações deve considerar as condições reais de utilização e a forma como a ferramenta é utilizada, incluindo a consideração de todas as partes do ciclo de utilização como, por exemplo, as vezes que a ferramenta é desligada e o tempo em que se encontra a funcionar sem carga para além do tempo de accionamento.

Etiquetas da ferramenta

Aparecem os seguintes pictogramas na ferramenta:



Advertência! Para reduzir o risco de ferimentos, o utilizador deve ler o manual de instruções.

Segurança eléctrica



O seu carregador está duplamente isolado, pelo que não é necessário fio de terra. Verifique sempre se a tensão eléctrica corresponde à indicada na placa de especificações. Nunca tente substituir o carregador por uma tomada normal.

- ◆ Se o cabo de alimentação estiver danificado, deverá ser substituído pelo fabricante ou por um Centro de Assistência autorizado pela Black & Decker, de modo a evitar perigos.

Características

Esta ferramenta inclui algumas ou todas as seguintes características.

1. Interruptor de velocidade variável ou interruptor de ligar/deligar de duas velocidades
2. Selector de reversibilidade
3. Selector de modo / anel de ajuste de par de torção
4. Bucha
5. Bateria
6. Botão de libertação da bateria

Fig. D & E

7. Carregador
8. Base de carga
9. Conector do carregador
10. Ficha do carregador

Montagem

Advertência! Antes da montagem, retire a bateria.

Colocação e remoção da bateria (fig. A)

- ◆ Para colocar a bateria (5), alinhe-a com o respectivo receptáculo na ferramenta. Empurre a bateria em direcção ao respectivo receptáculo até encaixar.
- ◆ Para remover a bateria, prima os dois botões de fixação (6) e puxe a bateria para fora do receptáculo simultaneamente.

Colocar e remover uma broca ou ponta de aparafusar (fig. B)

Advertência! Remova a bateria.

A ferramenta está equipada com uma bucha sem chave para permitir a troca fácil das brocas.

- ◆ Trave a ferramenta colocando o selector de reversibilidade (2) na posição central.
- ◆ Abra a bucha girando a parte frontal (11) com uma mão enquanto segura a parte traseira (12) com a outra (fig. B).
- ◆ Insira uma broca (17) na bucha.
- ◆ Aperte firmemente o mandril girando a parte frontal (11) com uma mão enquanto segura a parte traseira (12) com a outra.

Remoção e encaixe da bucha (fig. C)

- ◆ Abra a bucha o mais possível.
- ◆ Remova o parafuso de fixação da bucha girando-o para a direita utilizando uma chave de fendas.
- ◆ Aperte a chave Allen (14) na bucha e dê-lhe uma pancada com um martelo como mostrado.

- ◆ Remova a chave Allen.
- ◆ Remova a bucha rodando-a para a esquerda.
- ◆ Para voltar a colocar a bucha, aperte-a no veio e fixe-a com o respectivo parafuso de fixação.

Utilização

Advertência! Deixe que a ferramenta funcione à vontade. Não o sobrecarregue.

Carregar a bateria

A bateria precisa ser carregada antes da primeira utilização e sempre que falhe em produzir potência suficiente para realizar trabalhos que antes eram facilmente realizados. Quando estiver a carregar a bateria pela primeira vez, ou após armazenamento prolongado, ela aceitará somente 80% da carga. Após vários ciclos de carga e descarga, a bateria atingirá sua capacidade total. A bateria pode ficar quente enquanto estiver a carregar; isto é normal e não indica um problema.

Advertência! Não carregue a bateria a temperaturas ambientes inferiores a 4 °C ou superiores a 40 °C.

A temperatura recomendada para carregar é de aproximadamente 24 °C.

Carregador com base de carga (fig. D)

- ◆ Para carregar a bateria (5), remova-a da ferramenta e insira-a no carregador (8). A bateria só encaixará no carregador de um modo. Não force. Esteja seguro de que a bateria está completamente encaixada no carregador.
- ◆ Ligue o carregador à corrente eléctrica.

Após o uso normal, 3 horas de carregamento serão suficientes para fornecer energia para a maioria das aplicações. Entretanto, um tempo de carregamento estendido até 6 horas poderá aumentar significativamente o tempo de uso, em dependência do estado da bateria e das condições de carregamento.

- ◆ Retire a bateria do carregador.

Carregador sem base de carga (fig. E)

- ◆ Para carregar a bateria, certifique-se de que está colocada no berbequim.
- ◆ Insira a ficha do carregador (10) no conector (9).
- ◆ Ligue o carregador à corrente eléctrica.

Após o uso normal, 3 horas de carregamento serão suficientes para fornecer energia para a maioria das aplicações. Entretanto, um tempo de carregamento estendido até 6 horas poderá aumentar significativamente o tempo de uso, em dependência do estado da bateria e das condições de carregamento.

- ◆ Desligue a ferramenta do carregador.

Advertência! Não utilize a ferramenta enquanto ela estiver ligada ao carregador.


Seleccção da direcção da rotação

Para perfurar e apertar parafusos, utilize a rotação "avançar" (para a direita). Para soltar parafusos ou remover uma broca presa, utilize a rotação "inverter" (para a esquerda).

- ◆ Para seleccionar a rotação de avanço, empurre o selector de reversibilidade (2) para a esquerda.
- ◆ Para seleccionar a rotação inversa, empurre o selector para a direita.
- ◆ Para travar a ferramenta, coloque o selector na posição central.

Seleccção do modo de operação ou par de aperto (fig. F)

Esta ferramenta está equipada com um anel de ajuste do par de aperto para apertar parafusos. Parafusos grandes e materiais duros requerem um par maior que parafusos pequenos e materiais mais moles. O anel dispõe de uma ampla variedade de ajustes com o fim de que a ferramenta se adapte a cada aplicação.

- ◆ Para perfurar madeira, metal e plástico, ajuste o anel (3) à posição de perfuração alinhando o símbolo  com a marca (15).
- ◆ Para aparafusar, ajuste o anel à posição desejada. Se não souber qual é a posição apropriada, proceda da seguinte maneira:
 - Ajuste o anel (3) ao menor par de aperto.
 - Aperte o primeiro parafuso.
 - Se a bucha breca antes que o resultado seja conseguido, aumente o ajuste e continue a apertar o parafuso. Repita esta operação até atingir o ajuste correcto. Utilize este ajuste para o resto dos parafusos.

Como ligar e desligar a ferramenta

Interruptor de velocidade variável

- ◆ Para ligar a ferramenta, prima o interruptor de velocidade variável (1). A velocidade da ferramenta depende de quanto se prime o interruptor.
- ◆ Para desligar a ferramenta, solte o interruptor de velocidade variável.

Interruptor de ligar/desligar de duas velocidades

- ◆ Para ligar a ferramenta, prima o interruptor de ligar/desligar (1). Se carregar ligeiramente no interruptor, a ferramenta funciona a baixa velocidade. Se carregar com mais força no interruptor, a ferramenta funciona a alta velocidade.
- ◆ Para desligar a ferramenta, solte o interruptor de velocidade variável.

Sugestões para uma melhor utilização

Perfurar

- ◆ Aplique sempre uma leve pressão em linha recta com a broca.
- ◆ Um pouco antes de a broca atravessar a peça de trabalho, diminua a pressão sobre a ferramenta.
- ◆ Utilize uma peça de madeira como suporte para peças de trabalho que possam lascar.
- ◆ Utilize brocas puas quando perfurar orifícios de grande diâmetro em madeira.
- ◆ Utilize brocas de alta dureza quando perfurar em metal.
- ◆ Utilize brocas de pedra quando perfurar em alvenaria.
- ◆ Utilize um lubrificante quando perfurar em metais que não sejam ferro fundido e latão.
- ◆ Para um furo mais preciso, marque o centro do furo a executar utilizando um furador.

Aparafusar e desaparafusar

- ◆ Utilize sempre o tipo e tamanho correcto de ponta de aparafusar.
- ◆ Se os parafusos forem difíceis de apertar, tente aplicar uma pequena quantidade de detergente ou sabão como lubrificante.
- ◆ Segure sempre a ferramenta e a ponta de aparafusar em linha recta com o parafuso.

Manutenção

Esta ferramenta Black & Decker foi desenvolvida para funcionar por um longo período, com um mínimo de manutenção. O funcionamento contínuo e satisfatório depende da limpeza regular e cuidado adequado da ferramenta.

O seu carregador não requer qualquer manutenção além de sua limpeza regular.

Advertência! Antes de executar qualquer manutenção na ferramenta, remova a bateria da ferramenta. Desligue o carregador de bateria antes de limpar o aparelho.

- ◆ Limpe regularmente as fendas de ventilação na ferramenta e no carregador utilizando uma escova macia ou pano seco.
- ◆ Limpe regularmente o compartimento do motor utilizando um pano húmido. Não utilize nenhum limpador abrasivo ou de base solvente.
- ◆ Abra regularmente o mandril e bata nele para remover qualquer poeira do interior.

Protecção do meio ambiente



Recolha em separado. Não deve deitar este produto fora juntamente com o lixo doméstico normal.

Caso chegue o momento em que um dos seus produtos Black & Decker precise de ser substituído ou decida desfazer-se do mesmo, não o deite fora juntamente com o lixo doméstico. Torne este produto disponível para uma recolha em separado.



A recolha em separado de produtos e embalagens utilizados permite que os materiais sejam reciclados e reutilizados. A reutilização de materiais reciclados ajuda a evitar a poluição ambiental e a reduzir a procura de matérias-primas.

Os regulamentos locais poderão providenciar a recolha em separado de produtos eléctricos junto das casas, em lixeiras municipais ou junto dos fornecedores ao adquirir um novo produto.

A Black & Decker oferece um serviço de recolha e reciclagem de produtos Black & Decker que tenha atingido o fim das suas vidas úteis. Para tirar proveito deste serviço, devolva seu produto a qualquer agente de reparação autorizado, que se encarregará de recolher o equipamento em nosso nome.

Para verificar a localização do agente de reparação mais próximo de si, contacte o escritório local da Black & Decker no endereço indicado neste manual. Se preferir, consulte a lista de agentes autorizados da Black & Decker e os dados completos dos nossos serviços de atendimento pós-venda na Internet no endereço: www.2helpU.com

Baterias



As baterias Black & Decker podem ser recarregadas inúmeras vezes. Quando atingirem o fim das suas vidas úteis, deite-as fora com o devido cuidado com o nosso meio ambiente.

- ◆ Descarregue completamente a bateria e remova-a do aparelho.
- ◆ As baterias NiCd, NiMH e Li-Ion são recicláveis. Entregue-as em qualquer agente de reparação autorizado ou numa estação de reciclagem local.

Dados técnicos

	CD12	CD112	CD96
Voltagem	V_{DC} 12	12	9,6
Velocidade sem carga	min^{-1} 700	700	700
Binário máx.	Nm 8	8	7,5
Capacidade da bucha	mm 10	10	10
Capacidade máx. de perfuração			
Aço	mm 10	10	10
Madeira	mm 25	25	25
Peso	kg 0,9	0,9	0,7

	CD14	CD18
Voltagem	V_{DC} 14,4	18
Velocidade sem carga	min^{-1} 750	850
Binário máx.	Nm 12,5	13
Capacidade da bucha	mm 10	10
Capacidade máx. de perfuração		
Aço	mm 10	10
Madeira	mm 25	25
Peso	kg 1,01	1,03

	KC12GT	KC14GT
Voltagem	V_{DC} 12	14,4
Velocidade sem carga	min^{-1} 700	750
Binário máximo	Nm 8	12,5
Capacidade da bucha	mm 10	10
Capacidade máx. de perfuração		
Aço	mm 10	10
Madeira	mm 25	25
Peso	kg 0,9	1,01

Bateria	A9251	A9252	A9262
Voltagem	V_{DC} 9,6	12	14,4
Capacidade	Ah 1,3	1,0	1,2
Peso	kg 0,365	0,5	0,7

Bateria	A9272	A9282
Voltagem	V_{DC} 9,6	18
Capacidade	Ah 1,5	1,2
Peso	kg 0,465	0,73

Carregador

Voltagem	V_{AC} 220-240
Tempo aproximado de carregamento	h 3

Declaração de conformidade CE

CD12/CD112/CD96/CD14/CD18/KC12GT/KC14GT

A Black & Decker declara que estes produtos estão em conformidade com a:
98/37/CE, EN 60745

Nível de pressão de ruído segundo a EN 60745:

Pressão acústica (L_{pa}) 68 dB(A), imprecisão (K) 3 dB(A)

Potência acústica (L_{wa}) 79 dB(A), imprecisão (K) 3 dB(A)

Valores totais de vibração (soma vectorial triaxial) segunda EN 60745:

Perfuração em metal ($a_{h,d}$) < 2.5 m/s²,
imprecisão (K) 1,5 m/s²

Operação de aparafusar e desaparafusar sem impacto
($a_{h,s}$) < 2.5 m/s², imprecisão (K) 1,5 m/s²



Kevin Hewitt

Director de Engenharia do Consumo
Spennymoor, County Durham DL16 6JG,
Reino Unido
5-2-2008

Para activar a garantia, será necessário enviar a prova de compra ao revendedor ou agente de reparação autorizado. Para verificar a localização do agente de reparação mais próximo de si contacte o escritório local da Black & Decker no endereço indicado neste manual. Se preferir, consulte a lista de agentes autorizados da Black & Decker e os dados completos de nossos serviços de atendimento pós-venda na Internet no endereço: www.2helpU.com

Visite o nosso website www.blackanddecker.eu para registar o seu novo produto Black & Decker e para se manter actualizado sobre novos produtos e ofertas especiais. Estão disponíveis mais informações sobre a Black & Decker e sobre a nossa gama de produtos em www.blackanddecker.eu

Garantia

A Black & Decker confia na qualidade de seus produtos e oferece um programa de garantia excelente. Esta declaração de garantia soma-se aos seus direitos legais e não os prejudica em nenhum aspecto. A garantia será válida nos territórios dos Estados Membros da União Europeia e na Área de Livre Comércio da Europa.

Caso algum produto da Black & Decker apresente avarias devido a defeitos de material, mão-de-obra ou ausência de conformidade no prazo de 24 meses a partir da data de compra, a Black & Decker garantirá a substituição das peças defeituosas, a reparação dos produtos que foram submetidos a uso adequado e remoção ou substituição dos mesmos para assegurar o mínimo de inconvenientes ao cliente a menos que:

- ◆ O produto tenha sido utilizado para fins comerciais, profissionais ou aluguer;
- ◆ O produto tenha sido submetido a uso incorrecto ou descuido;
- ◆ O produto tenha sofrido danos causados por objectos estranhos, substâncias ou acidentes;
- ◆ Tenha um histórico de reparações efectuadas por terceiros que não sejam os agentes autorizados ou profissionais de manutenção da Black & Decker.

Användningsområde

Din borrmaskin/skruvdragare från Black & Decker kan användas till skruvdragning och borring i trä, metall och plast. Verkytet är endast avsett som konsumentverkyt.

Säkerhetsregler

Allmänna säkerhetsvarningar för motordrivna verktyg



Varning! Läs alla säkerhetsvarningar och alla anvisningar. Fel som uppstår till följd av att varningarna och anvisningarna nedan inte följts kan orsaka elchock, brand och/eller allvarliga kroppsskador.

Spara alla varningar och anvisningar för framtida referens. Nedan använt begrepp lverkyt hänför sig till nätdrivna elverkyt (med nätsladd) och till batteridrivna elverkyt (sladdlösa).

1. **Säkerhet för arbetsområdet**
 - a. **Håll arbetsplatsen ren och välbelyst.** Oordning på arbetsplatsen och dåligt belyst arbetsområde kan leda till olyckor.
 - b. **Använd inte elverkytet i explosionsfarlig omgivning med brännbara vätskor, gaser eller damm.** Elverkyten alstrar gnistor som kan antända dammet eller gaserna.
 - c. **Håll under arbetet med elverkytet barn och obehöriga personer på betryggande avstånd.** Om du störs av obehöriga personer kan du förlora kontrollen över elverkytet.
2. **Elsäkerhet**
 - a. **Elverkytets stickkontakt måste passa i vägguttaget. Ändra aldrig stickkontakten på något sätt. Använd inte adapterkontakter tillsammans med skyddsjordade elverkyt.** Oförändrade stickkontakter och passande vägguttag minskar risken för elchock.
 - b. **Undvik kroppskontakt med jordade ytor som t.ex. rör, värmeelement, spisar och kylskåp.** Det finns en större risk för elchock om din kropp är jordad.
 - c. **Skydda elverkytet mot regn och väta.** Tränger vatten in i ett elverkyt ökar risken för elchock.
 - d. **Misshandla inte nätsladden. Använd inte sladden för att bära eller hänga upp elverkytet och inte heller för att dra stickproppen ur vägguttaget. Håll nätsladden på avstånd från värme, olja, skarpa kanter och rörliga maskindelar.** Skadade eller tilltrasslade sladdar ökar risken för elchock.
 - e. **Använd endast förlängningssladdar som är godkända för utomhusbruk när du arbetar med ett elverkyt utomhus.** Om en förlängningssladd avsedd för utomhusbruk används minskar risken för elchock.
3. **Personlig säkerhet**
 - a. **Var uppmärksam, se på vad du gör och använd elverkytet med förnuft. Använd inte elverkytet när du är trött eller om du är påverkad av droger, alkohol eller mediciner.** Under användning av elverkyt kan ett ögonblicks bristande uppmärksamhet leda till allvarliga kroppsskador.
 - b. **Använd personlig skyddsutrustning. Bär alltid skyddsglasögon.** Den personliga skyddsutrustningen, som t.ex. dammfiltermask, halkfria skyddsskor, hjälm eller hörselskydd, som bör användas under de gällande omständigheterna minskar risken för kroppsskada.
 - c. **Undvik att verkytet startas av misstag. Kontrollera att strömställaren står i läge från innan du ansluter till vägguttaget och/eller batteripaketet, lyfter upp eller bär verkytet.** Det kan vara mycket farligt att bära ett elverkyt med fingret på strömbrytaren eller koppla det till nätet med strömbrytaren på.
 - d. **Ta bort alla inställningsverkyt och skruvnycklar innan du startar elverkytet.** Ett verkyt eller en nyckel i en roterande komponent kan medföra kroppsskada.
 - e. **Sträck dig inte för långt. Se till att du alltid har säkert fötäfte och balans.** På så sätt kan du lättare kontrollera elverkytet i oväntade situationer.
 - f. **Bär lämplig klädsel. Bär inte löst hängande kläder eller smycken. Håll hår, kläder och handskar undan från rörliga delar.** Löst hängande kläder, smycken och långt hår kan dras in av roterande delar.
 - g. **Om elverkytet är utrustat med dammsugnings- och -uppsamlingsutrustning, kontrollera att dessa anordningar är rätt monterade och att de används på korrekt sätt.** Dammuppsamling minskar riskerna för dammrelaterade olyckor.
4. **Bruk och skötsel av elverkyt**
 - a. **Överbelasta inte elverkytet. Använd rätt elverkyt för det aktuella arbetet.** Med ett lämpligt elverkyt kan du arbeta bättre och säkrare inom angivet effektområde.
 - b. **Ett elverkyt med defekt strömbrytare får inte användas.** Ett elverkyt som inte kan kopplas till eller från är farligt och måste repareras.
 - c. **Dra ut stickkontakten ur vägguttaget och/eller batteripaketet ur det motordrivna verkytet innan inställningar utförs, tillbehörsdelar byts ut eller det motordrivna verkytet ställs undan.** Denna skyddsåtgärd förhindrar oavsiktlig inkoppling av elverkytet.
- f. **Om man måste använda ett elverkyt på en fuktig plats bör man använda ett uttag som skyddats med en restströmsanordning (RCD). Vid användning av en restströmsanordning (RCD) minskar risken för elektriska stötar.**

- d. Förvara elverktygen oåtkomliga för barn. Låt inte elverktyget användas av personer som inte är förtrogna med dess användning eller inte läst denna anvisning. Elverktyg är farliga om de används av oerfarna personer.
- e. Sköt elverktyget omsorgsfullt. Kontrollera att rörliga komponenter fungerar felfritt och inte kärvar, att komponenter inte brustit eller skadats och inget annat föreligger som kan påverka elverktygets funktioner. Låt skadade delar repareras innan elverktyget används på nytt. Många olyckor orsakas av dåligt skötta elverktyg.
- f. Håll skärverktyg skarpa och rena. Omsorgsfullt skötta skärverktyg med skarpa eggar fastnar inte så lätt och går lättare att styra.
- g. Använd det motordrivna verktyget, tillbehör och insatsverktyg etc. enligt dessa anvisningar. Ta hänsyn till arbetsvillkoren och arbetsmomenten. Används elverktyget på icke ändamålsenligt sätt kan farliga situationer uppstå.

5. Bruk och skötsel av elverktyg

- a. Ladda batterierna endast i de laddare som tillverkaren rekommenderat. Om en laddare som är avsedd för en viss typ av batterier används för andra batterityper finns risk för brand.
- b. Använd endast batterier som är avsedda för aktuellt elverktyg. Används andra batterier finns risk för kroppsskada och brand.
- c. Håll gem, mynt, nycklar, spikar, skruvar och andra metallföremål på avstånd från reservbatterier för att undvika att kontakterna kortslogs. Kortslutning av batteriets kontakter kan leda till brännskador eller brand.
- d. Om batteriet används på felaktigt sätt finns risk för att vätska rinner ur batteriet. Undvik kontakt med vätskan. Vid oavsiktlig kontakt spola med vatten. Om vätska kommer i kontakt med ögonen uppsök dessutom läkare. Batterivätskan kan medföra hudirritation eller brännskada.

6. Service

- a. Låt endast elverktyget repareras av kvalificerad fackpersonal och med originalreservdelar. Detta garanterar att elverktygets säkerhet bibehålls.

Extra säkerhetsvarningar för motordrivna verktyg



Varning! Extra säkerhetsvarningar för borrar och slagborrar

- ◆ Bär örnskydd vid arbete med en slagborr. Att utsättas för buller kan leda till hörselskador.
- ◆ Använd hjälphandtagen som levererades med verktyget. Kontrollförlust kan orsaka personskador.

- ◆ Håll fast sågen endast vid de isolerade handtagen när sågning utförs på ställen där sågtillbehöret kan skada dolda elledningar eller egen nätsladd. Om sågtillbehöret kommer i kontakt med en spänningsförande ledning sätts verktygets metalldelar under spänning vilket kan leda till elektriska stötar.
- ◆ Använd klämmor eller något annat praktiskt sätt för att fästa och stödja arbetsstycket på ett stabilt underlag. Om man håller arbetsstycket med handen eller mot kroppen blir det instabilt och man kan riskera att förlora kontrollen över det.
- ◆ Kontrollera var de elektriska ledningarna och rörledningarna är installerade innan du borrar i väggar, golv och tak.
- ◆ Rör inte borrspetsen omedelbart efter det att borrar har stannat eftersom den kan vara varm.
- ◆ Verktyget är inte avsett att användas av personer (inklusive barn) med försvagade fysiska, sensoriska eller mentala förmågor, eller som saknar erfarenhet och kunskaper, om de inte får övervakning eller undervisning i användning av apparaten av någon som ansvarar för deras säkerhet. Håll uppsyn så att inga barn leker med apparaten.
- ◆ Verktygets avsedda bruk beskrivs i denna bruksanvisning. Bruk av tillbehör eller tillsatser, eller utförande av någon verksamhet med detta verktyg, som inte rekommenderas i denna bruksanvisning kan innebära risk för personskada och/eller skada på egendom.

Tillkommande säkerhetsanvisningar för batterier och laddare

Batterier

- ◆ Försök aldrig öppna.
- ◆ Låt inte batteriet komma i kontakt med vatten.
- ◆ Exponera inte batteriet för värme.
- ◆ Förvara inte laddaren i utrymmen där temperaturen kan överstiga 40 °C.
- ◆ Ladda endast inom temperaturområdet 10 °C till 40 °C.
- ◆ Ladda endast med laddaren som medföljer.
- ◆ När batterierna kasseras skall instruktionerna i kapitlet "Miljö" följas.
- ◆ Under extrema förhållanden kan batteriet läcka. Om du upptäcker vätska från batteriet skall följande iakttas:
 - Torka försiktigt bort vätskan med en trasa. Undvik kontakt med huden.
 - Vid kontakt med huden eller ögonen skall instruktionerna nedan följas.

Varning! Batterivätskan, en 25-30% lösning av kaliumhydroxid, kan vara skadlig. Skölj omedelbart med vatten vid kontakt med huden. Neutralisera med en svag syra, t ex citronsaft eller ättika. Om syran kommer i kontakt med ögonen, skölj rikligt med rent vatten i minst 10 minuter. Kontakta läkare.



Brandfara! Undvik att kontakterna på ett fränkopplat batteri kortsluts av metall (t ex vid förvaring av batteriet i en verktygslåda).



Utsätt inte batteriet för eld.



Försök aldrig ladda ett skadat batteri.

Laddare

- ◆ Använd Black & Decker-laddaren endast för att ladda batteriet i det verktyg det medföljde. Andra typer av batterier kan explodera och förorsaka person- och materialskador.
- ◆ Försök aldrig ladda icke-uppladdningsbara batterier.
- ◆ Byt genast ut skadade sladdar.
- ◆ Låt inte laddaren komma i kontakt med vatten.
- ◆ Öppna inte laddaren.
- ◆ Gör ingen åverkan på laddaren.



Laddaren är endast avsedd för inomhusbruk.

Skakas

De angivna vibrationsemissionsvärdena i tekniska data / försäkran om överensstämmelse har uppmätts enligt en standardtestmetod som tillhandahålls av EN 60745 och kan användas för att jämföra olika verktyg med varandra.

De angivna vibrationsemissionsvärdena kan även användas för en preliminär beräkning av exponering.

Varning! Vibrationsemissionsvärdet under faktisk användning av elverktyget kan skilja sig från det angivna värdet beroende på hur verktyget används. Vibrationsnivån kan överstiga den angivna nivån.

Vid beräkning av vibrationsexponering för att bestämma säkerhetsåtgärder enligt 2002/44/EG för att skydda personer som regelbundet använder elverktyg i arbetet, bör en beräkning av vibrationsexponeringen ta med i beräkningen de faktiska användningsförhållandena och sättet verktyget används, inkluderande att man tar med i beräkningen alla delar av användningscykeln, förutom själva "avtryckartiden" även t.ex. när verktyget är avstängt och när det går på tomgång.

Märken på verktyget

Följande symboler finns på verktyget:



Varning! För att minska risken för skador måste användaren läsa igenom bruksanvisningen.

Elsäkerhet



Laddaren är dubbelisolerad; jordledare är således överflödiga. Kontrollera alltid att nätspänningen överensstämmer med typskylten. Försök aldrig att ersätta laddningsenheten med en vanlig nätkontakt.

- ◆ Om nätsladden är skadad måste den bytas ut av tillverkaren eller en godkänd Black & Deckerserviceverkstad för att undvika en risksituation.

Detaljbeskrivning

Verktyget har en del eller samtliga av nedanstående funktioner.

1. Strömbrytare för steglös hastighet eller strömbrytare för två varvtal
2. Reglage höger- vänstergång
3. Lägesväljare/krage för justering av vridmoment
4. Chuck
5. Batteri
6. Lösgöringsknapp - batteri

Fig. D & E

7. Laddare
8. Laddningsstation
9. Anslutning för laddaren
10. Laddarkontakt

Montering

Varning! Tag alltid bort batteriet innan montering.

Montering och borttagning av batteri (fig. A)

- ◆ Montera batteriet (5) genom att rikta det efter hållaren på verktyget. Skjut sedan in batteriet i hållaren tills det klickar fast.
- ◆ Tag bort batteriet genom att hålla de två frikopplingsknapparna (6) intryckta samtidigt som du drar ut batteriet.

Isättning och borttagning av borrh och skruvbits (fig. B)

Varning! Ta först ut batteriet ur verktyget.

För att det ska vara lätt att byta borrh och bits är verktyget försett med en snabbchuck.

- ◆ Lås verktyget genom att ställa reglaget (2) i mittläge.
- ◆ Öppna chucken genom att vrida den främre delen (11) med en hand samtidigt som den bakre delen (12) hålls på plats med den andra (fig. B).
- ◆ Sätt i bits-skafvet (17) i chucken.
- ◆ Drag åt chucken stadigt genom att vrida den främre delen (11) med en hand medan du håller fast den bakre delen (12) med den andra handen.

Montering och borttagning av chucken (fig. C)

- ◆ Öppna chucken så mycket det går.
- ◆ Ta bort chuckens fästskruv genom att vrida den medsols med en skruvmejsel.
- ◆ Sätt i en insexnyckel (14) i chucken. Slå med ett lätt slag med en hammare enligt bild.
- ◆ Ta bort insexnyckeln.
- ◆ Ta bort chucken genom att vrida den motsols.
- ◆ Sätt tillbaka chucken genom att skruva den på spindeln och lås fast den med fästskruven.

Användning

Varning! Överbelasta inte maskinen, låt den arbeta i sin egen takt.

Laddning av batteriet

Batteriet måste laddas innan det används första gången och alltid när verktyget inte längre fungerar effektivt. När batteriet laddas första gången eller efter en längre tids förvaring är laddningskapaciteten endast 80%. Efter flera uppladdnings- och urladdningscyklar uppnår batteriet full kapacitet. Batteriet kan bli varmt under laddningen; detta är en normal företeelse och indikerar inte något fel.

Varning! Ladda inte batteriet om lufttemperaturen är lägre än 4 °C eller högre än 40 °C. Rekommenderad temperatur vid laddning är cirka 24 °C.

Laddare med laddningsstation (fig. D)

- ◆ När batteriet (6) skall laddas tas det ur verktyget och placeras i laddaren (8). Det finns bara ett sätt att sätta batteriet i laddaren. Bruka inte våld. Kontrollera att batteriet sitter ordentligt i laddaren.
 - ◆ Anslut laddaren till vägguttaget.
- Efter normal användning, brukar en laddningstid på 3 timmar vara tillräcklig för att tillföra de flesta verktyg tillräckligt med ström. En längre laddningstid, upp till 6 timmar, ökar användningstiden avsevärt, beroende på batteriet och laddningsförhållandena.
- ◆ Tag ut batteriet ur laddaren.

Laddare utan laddningsstation (fig. E)

- ◆ Se till att batteriet sitter monterat på borren när du skall ladda det.
- ◆ Sätt laddarkontakten (10) i uttaget (9).
- ◆ Anslut laddaren till vägguttaget.

Efter normal användning, brukar en laddningstid på 3 timmar vara tillräcklig för att tillföra de flesta verktyg tillräckligt med ström. En längre laddningstid, upp till 6 timmar, ökar användningstiden avsevärt, beroende på batteriet och laddningsförhållandena.

- ◆ Koppla bort verktyget från laddaren.

Varning! Använd inte verktyget när det är anslutet till laddaren.


Höger-/vänstergång

När du borrar och drar åt, rotera framåt (medurs). För att dra ur skruvar eller lossa en borr som har kört fast, rotera bakåt (moturs).

- ◆ Välj rotation framåt genom att föra reglaget (2) åt vänster.
- ◆ Välj rotation bakåt genom att föra reglaget åt höger.
- ◆ Spärra verktyget genom att ställa reglaget i mittläget.

Val av driftläge eller vridmoment (fig. F)

Verktyget är försett med en krage för val av driftläge, och för att ställa in vridmomentet för iskrivning av skruvar. Stora skruvar och hårda arbetsmaterial kräver högre vridmoment än små skruvar och mjukare arbetsmaterial. Kragen kan ställas in i många olika lägen, för att anpassa vridmomentet.

- ◆ För borring i trä, metall eller plast ska kragen (3) vridas till borringläget, d.v.s. så att symbolen  hamnar i linje med märket (15).
- ◆ För skruvdragning ställer du in kragen i önskat läge. Gör så här om du inte är säker på rätt inställning:
 - Ställ kragen (3) på det lägsta vridmomentet.
 - Dra åt den första skruven.
 - Om kopplingen släpper innan önskat resultat uppnås höjer du vridmomentet och skruvar vidare. Upprepa tills du nått rätt inställning. Använd denna inställning för de återstående skruvarna.

Start och stopp

Strömbrytare

- ◆ Starta verktyget genom att trycka på strömbrytaren/hastighetskontrollen (1). Verktygets hastighet beror på hur långt in strömbrytaren trycks.
- ◆ Stanna verktyget genom att släppa den steglösa strömbrytaren.

Strömbrytare för två hastigheter

- ◆ Tryck på strömbrytaren för att starta verktyget (1). När man trycker lätt på strömbrytaren, går verktyget på låg hastighet. När man trycker in strömbrytaren längre, går verktyget på hög hastighet.
- ◆ Stanna verktyget genom att släppa den steglösa strömbrytaren.

Råd för bästa resultat

Borring

- ◆ Utöva alltid ett lätt tryck i borrarbetsens längdriktning.
- ◆ Reducera verktygets tryck ytterligare strax innan borrarbetsens tränger ut ur arbetsstyckets andra sida.

- ◆ Använd en träbit under arbetsstycket för att undvika att arbetsstycket spricker.
- ◆ Använd flatborrbits när du skall borra hål med stor diameter i trä.
- ◆ Använd HSS-borrbits vid borring i metall.
- ◆ Använd betongborrbits vid borring i murverk.
- ◆ Använd smörjmedel vid borring i andra metaller än gjutjärn och mässing.
- ◆ För bättre precision bör du slå ett kärnslag i mitten av hålet som skall borras.

Skruvdragning

- ◆ Använd alltid rätt typ och storlek på bitset.
- ◆ Om det är svårt att dra åt skruven kan lite flytande tvättmedel eller tvål anbringas som smörjmedel.
- ◆ Håll alltid verktyget och bitset i rak linje med skruven.

Skötsel

Ditt Black & Decker verktyg har tillverkats för att fungera under lång tid med ett minimum av underhåll. Med rätt underhåll och regelbunden rengöring behåller verktyget sina prestanda.

Laddaren behöver inget underhåll förutom regelbunden rengöring.

Varning! Tag bort batteriet innan underhåll utförs på verktyget. Tag ur laddarkontakten före rengöring.

- ◆ Rengör ventilationsöppningarna på verktyget och laddaren regelbundet med en mjuk borste eller torr trasa.
- ◆ Rengör kåpan regelbundet med en fuktig trasa. Använd aldrig rengöringsmedel med lösnings- eller slipmedel i.
- ◆ Öppna chucken regelbundet och knacka på den för att avlägsna eventuellt damm som hamnat inuti den.

Miljöskydd



Särskild insamling. Denna produkt får inte kastas bland vanliga hushållssopor.

Om du någon gång i framtiden behöver ersätta din Black & Decker-produkt med en ny, eller inte längre behöver den, ska du inte kasta den i hushållssoporna. Denna produkt skall lämnas till särskild insamling.



Efter insamling av använda produkter och förpackningsmaterial kan materialen återvinnas och användas på nytt. Användning av återvunna material skonar miljön och minskar förbrukningen av råvaror.

Enligt lokal lagstiftning kan det förekomma särskilda insamlingar av uttjänt elutrustning från hushåll, antingen vid kommunala miljöstationer eller hos detaljhandlaren när du köper en ny produkt.

Black & Decker erbjuder en insamlings- och återvinningsstjänst för Black & Decker-produkter när de en gång har tjänat ut. För att använda den här tjänsten lämnar du in produkten till en auktoriserad B & D -reparatör/representant som tar hand om den för din räkning.

Närmaste auktoriserade Black & Decker-representant finner du genom det lokala Black & Decker-kontoret på adressen i den här manualen. Annars kan du söka på Internet, på listan över auktoriserade Black & Decker-representanter och alla uppgifter om vår kundservice och andra kontakter. www.2helpU.com

Batterier



Black & Decker-batterierna kan laddas många gånger. Skydda miljön genom att lämna uttjänta batterier till avsedd uppsamlingsplats.

- ◆ Låt batteriet laddas ur helt och ta sedan bort det från verktyget.
- ◆ NiCd-, NiMH- och Li-Ion-batterier kan återvinnas. Lämna dem till inköpsstället eller den lokala återvinningsstationen.

Tekniska data

		CD12	CD112	CD96
Spänning	V _{DC}	12	12	9,6
Obelastad hastighet	min ⁻¹	700	700	700
Max. vridmoment	Nm	8	8	7,5
Chuckkapacitet	mm	10	10	10
Max. borrkapacitet				
Stål	mm	10	10	10
Trä	mm	25	25	25
Vikt	kg	0,9	0,9	0,7

		CD14	CD18
Spänning	V _{DC}	14,4	18
Obelastad hastighet	min ⁻¹	750	850
Max. vridmoment	Nm	12,5	13
Chuckkapacitet	mm	10	10
Max. borrkapacitet			
Stål	mm	10	10
Trä	mm	25	25
Vikt	kg	1,01	1,03

		KC12GT	KC14GT
Spänning	V _{DC}	12	14,4
Obelastad hastighet	min ⁻¹	700	750
Max. vridmoment	Nm	8	12,5
Chuckkapacitet	mm	10	10
Max. borrkapacitet			
Stål	mm	10	10
Trä	mm	25	25
Vikt	kg	0,9	1,01

Batteri	A9251	A9252	A9262
Spänning	V _{DC} 9,6	12	14,4
Kapacitet	Ah 1,3	1,0	1,2
Vikt	kg 0,365	0,5	0,7

Batteri	A9272	A9282
Spänning	V _{DC} 9,6	18
Kapacitet	Ah 1,5	1,2
Vikt	kg 0,465	0,73

Laddare

Spänning	V _{AC} 220-240
Laddningstid cirka	tim 3

EC-förklaring om överensstämmelse

CD12/CD112/CD96/CD14/CD18/KC12GT/KC14GT

Black & Decker förklarar att dessa produkter överensstämmer med:

98/37/EG, EN 60745

Bullernivå, uppmätt enligt EN 60745:

Bullernivå (L_{PA}) 68 dB(A), avvikelse (K) 3 dB(A)

Ljudeffekt (L_{WA}) 79 dB(A), avvikelse (K) 3 dB(A)

Vibrationens totala värde (treaxelvektorsumma) bestämd enligt EN 60745:

Borning i metall (a_{h,d}) < 2.5 m/s², avvikelse (K) 1,5 m/s²

Skruvdragning utan belastning (a_{h,s}) < 2.5 m/s², avvikelse (K) 1,5 m/s²



Kevin Hewitt

Director of Consumer Engineering
Spennymoor, County Durham DL16 6JG,
Storbritannien
5-2-2008

Garanti

Black & Decker garanterar att produkten är fri från material- och/eller fabriktionsfel vid leverans till kund. Garantin är i tillägg till konsumentens lagliga rättigheter och påverkar inte dessa. Garantin gäller inom medlemsstaterna i Europeiska Unionen och i det Europeiska Frihandelsområdet.

Om en Black & Decker produkt går sönder på grund av material- och/eller fabriktionsfel eller brister i överensstämmelse med specifikationen, inom 24 månader från köpet, åtar sig Black & Decker att reparera eller byta ut produkten med minsta besvär för kunden.

Garantin gäller inte för fel som beror på:

- ◆ normalt slitage
- ◆ felaktig användning eller skötsel
- ◆ att produkten skadats av främmande föremål, ämnen eller genom olyckshändelse

Garantin gäller inte om reparation har utförts av någon annan än en auktoriserad Black & Decker verkstad.

För att utnyttja garantin skall produkten och inköpskvittot lämnas till återförsäljaren eller till en auktoriserad verkstad senast 2 månader efter det att felet har upptäckts.

För information om närmaste auktoriserad verkstad; kontakta det lokala Black & Decker kontoret på den adress som är angiven i bruksanvisningen. En lista på alla auktoriserade verkstäder samt servicevillkor finns även tillgängligt på Internet, adress: www.2helpU.com

Besök vår webbplats www.blackanddecker.se för att registrera din nya Black & Decker-produkt samt för att erhålla information om nya produkter och specialerbjudanden. Vidare information om märket Black & Decker och vårt produktsortiment kan återfinnas på www.blackanddecker.se

Reservdelar / reparationer

Reservdelar finns att köpa hos auktoriserade Black & Decker verkstäder, som även ger kostnadsförslag och reparerar våra produkter.

Förteckning över våra auktoriserade verkstäder finns på Internet, vår hemsida www.blackanddecker.se samt www.2helpU.com

Bruksområder

Din Black & Decker drill/skrutrekker er utformet for skruing og boring i tre, metall og plast. Verktøyet er tiltenkt kun som konsumentverktøy.

Sikkerhetsinstruksjoner

Generelle sikkerhetsadvarsler for elektroverktøy



Advarsel! Les alle sikkerhetsadvarsler og alle instruksjoner. Hvis advarsler og instruksjoner ikke følges, kan det medføre elektrisk støt, brann og/eller alvorlige skader.

Ta vare på alle advarsler og instruksjoner for fremtidige oppslag. Uttrykket «elektroverktøy» i alle advarslene nedenfor gjelder for strømdrevne elektroverktøy (med ledning) og batteridrevne elektroverktøy (uten ledning).

1. Sikkerhet i arbeidsområdet

- Hold arbeidsområdet rent og godt opplyst.** Rotete arbeidsområder med dårlig belysning kan føre til ulykker.
- Ikke arbeid med elektroverktøy i eksplosjonsfarlige omgivelser hvor det finnes brennbare væsker, gass eller støv.** Elektroverktøy forårsaker gnister som kan antenne støv eller røyk.
- Hold barn og andre personer unna når elektroverktøyet brukes.** Hvis du blir forstyrret under arbeidet, kan du miste kontrollen.

2. Elektrisk sikkerhet

- Støpselet til elektroverktøyet må passe inn i stikkkontakten. Støpselet må ikke forandres på noen som helst måte. Ikke bruk adapterstøpsler sammen med jordete elektroverktøy.** Bruk av originale støpsler og passende stikkontakter reduserer risikoen for elektrisk støt.
- Unngå kroppskontakt med jordete overflater som rør, radiatorer, komfyrer og kjøleskap.** Det er større fare for elektrisk støt hvis kroppen din er jordet.
- Utsett ikke elektroverktøy for regn eller fuktighet.** Dersom det kommer vann i et elektroverktøy, øker risikoen for elektrisk støt.
- Unngå uforvarlig behandling av ledningen. Elektroverktøyet må aldri bæres eller trekkes etter ledningen, og trekk heller ikke ut støpselet ved å rykke i ledningen. Hold ledningen unna varme, olje, skarpe kanter eller bevegelige deler.** Med skadde eller sammenflokete ledninger øker risikoen for elektrisk støt.
- Når du arbeider utendørs med et elektroverktøy, må du kun bruke en skjøteledning som er godkjent til utendørs bruk.** Ved å bruke en skjøteledning som er egnet for utendørs bruk, reduseres risikoen for elektrisk støt.

- Hvis du må bruke et elektrisk verktøy på et fuktig sted, må du bruke en forsyning som er beskyttet med en reststrømsanordning (RCD).** Bruk av en RCD reduserer risikoen for støt.

3. Personssikkerhet

- Vær oppmerksom, pass på hva du gjør og vis fornuft når du arbeider med et elektroverktøy. Ikke bruk elektroverktøy når du er trett eller er påvirket av narkotika, alkohol eller medikamenter.** Et øyeblikks uoppmerksomhet under bruk av verktøyet kan føre til alvorlige personskader.
 - Bruk personlig verneutstyr. Bruk alltid vernebriller.** Verneutstyr som støvmaske, sko med gode såler, hjelm og hørselsvern bør brukes for å redusere risikoen for personskade.
 - Unngå utilsiktet oppstart. Påse at bryteren er i avstilling før du kople til strøm og/eller batteripakke, plukker opp eller bærer verktøyet.** Hvis du bærer et elektrisk verktøy med fingeren på bryteren, eller hvis du setter strøm på et verktøy som har bryteren slått på, inviterer du til ulykker.
 - Fjern innstillingsverktøy eller skrunøkler før du slår på elektroverktøyet.** Et verktøy eller en nøkkel som befinner seg i en roterende del kan føre til personskade.
 - Ikke strekk deg for langt. Pass på at du alltid har sikkert fotfeste og god balanse.** Da kan du kontrollere elektroverktøyet bedre i uventede situasjoner.
 - Bruk alltid egnede klær. Ikke bruk løstsittende klær eller smykker. Hold hår, klær og hansker unna bevegelige deler.** Løstsittende klær, smykker eller langt hår kan komme inn i bevegelige deler.
 - Hvis det kan monteres støvavsug- og oppsamlingsinnretninger, må du forvisse deg om at disse er tilkoblet og brukes på riktig måte.** Bruk av støvavsug reduserer farer i forbindelse med støv.
- #### 4. Aktsom håndtering og bruk av elektroverktøy
- Ikke bruk makt på elektroverktøyet. Bruk et elektroverktøy som er beregnet på den type arbeid du vil utføre.** Med et passende elektroverktøy arbeider du bedre og sikrere i det angitte effektområdet.
 - Ikke bruk elektroverktøyet hvis det ikke lar seg slå på og av med bryteren.** Et elektroverktøy som ikke kan kontrolleres med bryteren er farlig og må repareres.
 - Trekk støpselet ut av stikkkontakten og/eller kople fra batteripakken før du utfører innstillinger på et elektrisk verktøy, skifter tilbehør eller legger verktøyet bort.** Disse tiltakene reduserer risikoen for en utilsiktet start av elektroverktøyet.

- d. **Elektroverktøy som ikke er i bruk må oppbevares utilgjengelig for barn. Ikke la verktøyet brukes av personer som ikke er fortrolig med det eller som ikke har lest disse bruksanvisningene.** Elektroverktøy er farlige når de brukes av uerfarne personer.
- e. **Vær nøye med vedlikehold av elektroverktøy. Kontroller om bevegelige deler fungerer feilfritt og ikke klemmes fast, om deler er brukt eller skadet og andre forhold som kan innvirke på elektroverktøys funksjon. Hvis elektroverktøyet er skadet, må det repareres før bruk.** Dårlig vedlikeholdte elektroverktøy er årsaken til mange uhell.
- f. **Hold skjæreverktøy skarpe og rene.** Godt vedlikeholdte skjæreverktøy med skarpe egger setter seg ikke så ofte fast og er lettere å føre.
- g. **Bruk elektroverktøy, tilbehør, bor osv. i henhold til disse instruksjonene. Ta hensyn til arbeidsforholdene og arbeidet som skal utføres.** Bruk av elektroverktøy til andre formål enn det som er angitt, kan føre til farlige situasjoner.
5. **Aktsom håndtering og bruk av oppladbare elektroverktøy**
- a. **Lad batteriet kun opp i laderen som er anbefalt av produsenten.** Det oppstår brannfare hvis en lader som er egnet til en bestemt type batterier, brukes med andre batterier.
- b. **Bruk kun riktig type batterier for elektroverktøyene.** Bruk av andre batterier kan medføre skader og brannfare.
- c. **Hold batterier som ikke er i bruk, unna binders, mynter, nøkler, spikre, skruer eller andre mindre metallgjenstander som kan lage en forbindelse mellom kontaktene.** En kortslutning mellom batterikontaktene kan føre til forbrenninger eller brann.
- d. **Ved feilaktig bruk kan det lekke væske ut av batteriet. Unngå kontakt med denne væsken. Ved tilfeldig kontakt må det skylles med vann. Hvis det kommer væske i øynene, må du i tillegg oppsøke lege.** Batterivæske som renner ut, kan føre til hudirritasjoner eller forbrenninger.
6. **Service**
- a. **Elektroverktøyet ditt skal alltid repareres av kvalifisert personell og kun med originale reservedeler.** Dette sikrer at elektroverktøyet sikkerhet opprettholdes.

- ◆ **Bruk ekstrahåndtakene som følger med verktøyet.** Hvis du mister kontrollen, kan det oppstå personskade.
- ◆ **Hold elektriske verktøy i de isolerte gripeflatene når du utfører arbeid der skjæretilbehøret kan komme i kontakt med skjulte ledninger eller sin egen kabel.** Kontakt med en strømførende ledning vil gjøre verktøyet metalldele strømførende og gi operatøren støt.
- ◆ **Bruk klemmer eller en annen praktisk måte til å feste arbeidsemmet til et stabilt underlag.** Arbeidsemmet blir ustabil og du mister kontroll dersom du holder det i hånden eller inn mot kroppen.
- ◆ **Før drilling i vegger, gulv eller tak, må du undersøke hvor ledninger og rør befinner seg.**
- ◆ **Unngå å røre borspissen rett etter at du har boret, da den kan være varm.**
- ◆ **Dette verktøyet er ikke beregnet til å brukes av personer (inkludert barn) med redusert fysisk, sansesmessig eller mental kapasitet eller mangel på erfaring og kunnskap, med mindre de er under oppsyn eller har fått opplæring i bruk av verktøyet av en person som har ansvaret for deres sikkerhet.** Barn må ha tilsyn for å sikre at de ikke leker med apparatet.
- ◆ **Denne instruksjonshåndboken forklarer beregnet bruksmåte. Bruk bare tilbehør og utstyr som anbefales i bruksanvisningen. Bruk av annet verktøy eller tilbehør kan medføre risiko for skade på person og/eller utstyr.**

Ekstra sikkerhetsforskrifter for batterier og ladere

Batterier

- ◆ Gjør aldri under noen omstendigheter forsøk på å åpne apparatet.
- ◆ Batteriet må ikke komme i kontakt med vann.
- ◆ Batteriet må ikke komme i kontakt med varme.
- ◆ Apparatet må ikke oppbevares på steder hvor temperaturen kan overstige 40 °C.
- ◆ Må bare lades i lufttemperaturer mellom 10 °C og 40 °C.
- ◆ Må bare lades med laderen som følger med verktøyet.
- ◆ Når batteriene skal kastes, følg instruksene i avsnittet "Å beskytte miljøet".
- ◆ Under ekstreme forhold kan det oppstå batterilekkasje. Hvis du merker væske på batteriet, må du gjøre som følger:
 - Tørk forsiktig bort væsken med en klut.
 - Unngå hudkontakt.
 - I tilfeller hvor det oppstår kontakt med hud eller øyne, skal instruksjonene nedenfor følges.

Advarsel! Batterivæsken, en 25-30% løsning av kaliumhydroksid, kan være skadelig. Hvis den kommer i berøring med hud, må du straks skylle med vann. Nøytraliser med en svak syre, f.eks. sitronsaft eller eddik. Hvis du får væsken i øynene, må du rense dem med rikelige mengder rent vann i minst 10 minutter. Kontakt lege.



Advarsel! Ekstra sikkerhetsadvarslar for bormaskiner og slagbormaskiner

- ◆ **Bruk hørselvern når du bruker slagbor.** Utsettelse for støy kan forårsake hørselstap.



Brannfare! Unngå at metall kortsletter kontaktene på et batteri som er tatt ut (f.eks. ved oppbevaring av batteriet i en verktøykasse).



Batteriet må ikke brennes.



Bruk aldri et skadet batteri.

Ladere

- ◆ Bruk din Black & Decker lader kun sammen med det batteriet som blir levert med verktøyet. Andre typer batterier kan eksplodere og forårsake person- og materialskader.
- ◆ Forsøk aldri å lade ikke-oppladbare batterier.
- ◆ Bytt straks ut defekte ledninger.
- ◆ Laderen må ikke komme i kontakt med vann.
- ◆ Laderen må ikke åpnes.
- ◆ Ikke undersøk laderen på egenhånd.



Laderen er kun beregnet på innendørs bruk.

Vibrasjon

De erklærte vibrasjonsnivåene i avsnittet Tekniske Data / Samsvarserklæring er målt i samsvar med en standard testmetode som gis av EN 60745, og kan brukes til å sammenligne et verktøy med et annet. Erklært vibrasjonsnivå kan også brukes i en foreløpig vurdering av eksponering.

Advarsel! Vibrasjonsnivået ved faktisk bruk av elektroverktøyet kan variere fra erklært verdi, avhengig av måten verktøyet brukes på. Vibrasjonsnivået kan øke over det oppgitte nivået.

Når du vurderer eksponering til vibrasjon for å bestemme sikkerhetstiltak som anbefalt i 2002/44/EF for å beskytte personer som jevnlig bruker elektroverktøy, bør en estimering av eksponeringen ta hensyn til de faktiske bruksforholdene og måten verktøyet brukes på. Dette inkluderer alle deler av brukssyklusen som f.eks. tidsperioder da verktøyet er slått av og når det går uten belastning, i tillegg til faktisk arbeidstid.

Etiketter på verktøyet

Følgende symboler befinner seg på verktøyet:



Advarsel! Bruker må lese bruksanvisningen for å redusere faren for skader.

Elektrisk sikkerhet



Laderen er dobbeltisolert. Derfor er ikke jording nødvendig. Kontroller at nettspenningen er i overensstemmelse med spenningen på typeskiltet. Du må aldri forsøke å bytte laderen ut med et vanlig støpsel.

- ◆ Hvis strømledningen skades, må den skiftes ut av fabrikanten eller et autorisert Black & Decker servicesenter for å unngå fare.

Egenskaper

Dette verktøyet har noen av eller alle disse funksjonene:

1. Bryter for justerbar hastighet eller på/av-bryter med to hastigheter.
2. Bryter for høyre-/venstregange
3. Justering for funksjonsvalg/dreiemoment
4. Chuck
5. Batteri
6. Utløserknapp for batteriet

Fig. D & E

7. Lader
8. Laderholder
9. Tilslutning for lader
10. Laderstøpsel

Montering

Advarsel! Før montering må du alltid ta ut batteriet.

Plassering og fjerning av batteriet (fig. A)

- ◆ Når du skal sette i batteriet (5), holder du det på høyde med holderen på verktøyet. Skyv batteriet inn i holderen, og trykk til det sitter på plass.
- ◆ Skal du fjerne batteriet, trykker du på de to utløserknappene (6) samtidig, mens du trekker batteriet ut av holderen.

Sette på og ta av bor og bits (fig. B)

Advarsel! Fjern først batteriet fra verktøyet.

Dette verktøyet er utstyrt med en nøkkelfri chuck, slik at det blir enklere å bytte bor og biter.

- ◆ Lås verktøyet ved å stille bryteren for høyre-/venstregange (2) på midtstillingen.
- ◆ Du åpner chucken ved å dreie den forreste delen (11) med den ene hånden, mens du holder i den bakerste delen (12) med den andre hånden (fig. B).
- ◆ Sett skaftet på biten (17) inn i chucken.
- ◆ Skru chucken godt fast ved å dreie den forreste delen (11) med den ene hånden mens du holder den bakerste delen (12) med den andre.

Ta av og sette på chucken (fig. C)

- ◆ Åpne chucken så mye som mulig.
- ◆ Fjern skruen som holder fast chucken, ved å dreie den med klokken ved hjelp av en skrutrekker.
- ◆ Sett en sekskantnøkkel (14) inn i chucken, og slå med et lett slag med en hammer, som vist.
- ◆ Fjern sekskantnøkkelen.
- ◆ Fjern chucken ved å dreie den mot klokken.
- ◆ Du setter på chucken igjen ved å skru den inn på spindelen og feste den med festeskruen.

Bruk

Advarsel! La verktøyet jobbe med sin egen hastighet. Ikke overbelast det.

Lading av batteriet

Batteriet må lades før første gangs bruk og alltid når verktøyet ikke lenger fungerer effektivt. Når batteriet lades for første gang, eller etter at det ikke har vært brukt i en periode, er ladekapasiteten kun 80%. Etter flere ladings- og utladingsperioder, vil batteriet oppnå full kapasitet. Batteriet kan bli varmt mens det lades; dette er normalt og indikerer ikke at noe er feil.

Advarsel! Lad ikke batteriet hvis lufttemperaturen er under 4 °C eller over 40 °C. Anbefalt ladingstemperatur: ca. 24 °C.

Lade med holderen (fig. D)

- ◆ Ta batteriet (5) ut av verktøyet og sett det inn i holderen (8) når det skal lades. Det er bare en måte å plassere batteriet inn i laderen. Ikke bruk makt. Pass på at batteriet er satt riktig inn i holderen.
 - ◆ Sett laderen i vegguttaket.
- Etter normalt bruk vil en oppladningstid på 3 timer gi nok strøm til de fleste bruksområder. Lengre ladetid, på opptil 6 timer, kan øke brukstiden betydelig, avhengig av batteriet og ladingen.
- ◆ Ta batteriet ut av laderen.

Lade uten holderen (fig. E)

- ◆ Batteriet må være tatt av drillen før det lades.
- ◆ Sett ladestøpslet (10) i kontakten (9).
- ◆ Sett laderen i vegguttaket.

Etter normalt bruk vil en oppladningstid på 3 timer gi nok strøm til de fleste bruksområder. Lengre ladetid, på opptil 6 timer, kan øke brukstiden betydelig, avhengig av batteriet og ladingen.

- ◆ Kople verktøyet fra laderen.

Advarsel! Ikke bruk verktøyet mens det er koplet til laderen.

Velge rotasjonsretning

Til drilling og tilstramning av skruer skal verktøyet rotere forover (med klokken). For å løse skruer eller fjerne en blokkert drillbit bruker du rotasjon bakover (mot klokken).

- ◆ For å velge rotasjon forover trykker du bryteren (2) mot venstre.
- ◆ For å velge rotasjon bakover trykker du bryteren mot høyre.
- ◆ For å låse verktøyet stiller du bryteren i midtstilling.

Valg av funksjon eller vrilmoment (fig. F)

Dette verktøyet er utstyrt med en justering for valg av driftsmodus og for innstilling av dreiemomentet for isetting av skruer. Store skruer og harde materialer krever en høyere innstilling av dreiemomentet enn små skruer og myke materialer. Kraven har en lang rekke innstillinger som passer til forskjellige oppgaver.

- ◆ For boring i tre, metall og plast stiller du kraven (3) inn på boreposisjon ved å sette drillsymbolet **2** på linje med merket (15).
- ◆ For skruing stilles kraven til ønsket innstilling. Hvis du ikke vet hvilken innstilling du bør bruke, gjør du slik:
 - Sett kraven (3) på det laveste dreiemomentet.
 - Stram den første skruen.
 - Hvis koplingen frigjøres før det ønskete resultatet er oppnådd, øker du innstillingen på justeringen og fortsetter å stramme skruen. Gjenta dette til du har oppnådd den korrekte innstillingen. Bruk denne innstillingen for de resterende skruene.

Start og stopp

Trinnløs strømbryter

- ◆ Trykk på den trinnløse strømbryteren (1) for å slå verktøyet på. Verktøyet hastighet er avhengig av hvor langt inn du trykker bryteren.
- ◆ Slipp den trinnløse strømbryteren for å slå verktøyet av.

På/av-bryter med to hastigheter

- ◆ Trykk på strømbryteren (1) for å slå verktøyet på. Når du trykker forsiktig på bryteren, går verktøyet ved lav hastighet. Når du trykker bryteren lenger inn, går verktøyet ved høy hastighet.
- ◆ Slipp den trinnløse strømbryteren for å slå verktøyet av.

Råd for optimalt resultat

Boring

- ◆ Boret skal trykkes lett og rett mot arbeidsstykket.
- ◆ Like før boret bryter gjennom på den andre siden av arbeidsstykket, slipper du trykket litt.
- ◆ Bruk en trebit under arbeidsstykket for å unngå at arbeidsstykket splintres.

- ◆ Bruk et flatbor/spiralbor når du skal bore hull med stor diameter i tre.
- ◆ Bruk HSS-bor når du borer i metall.
- ◆ Bruk betongbor når du borer i mur.
- ◆ Bruk smøremiddel når du borer i annet metall enn støpejern og messing.
- ◆ For bedre presisjon: lag en fordypning med en kjerne i midten av hullet som skal bores.

Skruing

- ◆ Bruk alltid riktig type og størrelse på skrutrekkerkronen.
- ◆ Hvis det er vanskelig å stramme skruene, kan du forsøke å bruke litt flytende vaskemiddel eller såpe som smøremiddel.
- ◆ Hold alltid verktøyet og skrutrekkerkronen i rett linje med skruen.

Vedlikehold

Ditt Black & Decker verktøy har blitt utformet for å være i drift over en lang periode med et minimum av vedlikehold. Med riktig vedlikehold og regelmessig rengjøring beholder verktøyet ytelsen.

Laderen din behøver ikke annet vedlikehold enn at den rengjøres med jevne mellomrom.

Advarsel! Før det utføres noen form for vedlikehold av verktøyet, må batteriet tas ut. Trekk ut kontakten når laderen skal gjøres ren.

- ◆ Rengjør ventilasjonsåpningene på verktøyet og laderen regelmessig med en myk børste eller en tørr klut.
- ◆ Rengjør kåpen regelmessig med en fuktig klut. Ikke bruk slipende eller løsemiddelbaserte rengjøringsmidler.
- ◆ Åpne opp chucken regelmessig, og slå lett på den for å fjerne eventuelt støv fra innsiden.

Miljøvern



Kildesortering. Dette produktet må ikke kastes i det vanlige husholdningsavfallet.

Hvis du finner ut at Black & Decker-produktet ditt må skiftes ut, eller hvis du ikke lenger har bruk for det, må du unnlate å kaste det sammen med det vanlige husholdningsavfallet. Sørg for at dette produktet gjøres tilgjengelig for kildesortering.



Kildesortering av brukte produkter og emballasje gjør det mulig å resirkulere materialer og bruke dem igjen. Gjenbruk av resirkulerte materialer bidrar til å forhindre forurensning av miljøet og reduserer behovet for råmaterialer.

Lokale regelverk kan legge tilrette for kildesortering av elektriske produkter fra husholdningen, ved kommunale deponier eller gjennom forhandleren når du kjøper et nytt produkt.

Black & Decker har tilrettelagt for innsamling og resirkulering av Black & Decker-produkter etter at de har utspilt sin rolle. Ønsker du å benytte deg av denne tjenesten, returnerer du produktet ditt til et autorisert serviceverksted, som tar det imot og formidler det videre.

Du kan få adressen til ditt nærmeste autoriserte serviceverksted ved å kontakte ditt lokale Black & Decker-kontor på adressen oppgitt i denne håndboken. Du kan også finne en komplett liste over autoriserte Black & Decker-serviceverksteder og utfyllende informasjon om vår etter salg-service og kontaktnumre på Internett på følgende adresse: www.2helpU.com

Batterier



Black & Decker-batterier kan lades mange ganger. Beskytt miljøet ved å levere kasserte batteriet til kildesortering:

- ◆ Kjør batteriet til det er helt flatt og ta det så ut av verktøyet.
- ◆ NiCd-, NiMH- og Li-Ion-batterier kan resirkuleres. Ta dem med til en hvilken som helst autorisert forhandler eller en lokal kildesorteringsstasjon.

Tekniske data

		CD12	CD112	CD96
Spenning	V_{DC}	12	12	9,6
Hastighet ubelastet	min^{-1}	700	700	700
Maks. dreiemoment	Nm	8	8	7,5
Chuck-kapasitet	mm	10	10	10
Maks. drillekapasitet				
Stål	mm	10	10	10
Tre	mm	25	25	25
Vekt	kg	0,9	0,9	0,7

		CD14	CD18
Spenning	V_{DC}	14,4	18
Hastighet ubelastet	min^{-1}	750	850
Maks. dreiemoment	Nm	12,5	13
Chuck-kapasitet	mm	10	10
Maks. drillekapasitet			
Stål	mm	10	10
Tre	mm	25	25
Vekt	kg	1,01	1,03

		KC12GT	KC14GT
Spenning	V_{DC}	12	14,4
Hastighet ubelastet	min^{-1}	700	750
Maks. dreiemoment	Nm	8	12,5
Chuck-kapasitet	mm	10	10
Maks. drillekapasitet			
Stål	mm	10	10
Tre	mm	25	25
Vekt	kg	0,9	1,01

Batteri		A9251	A9252	A9262
Spenning	V_{DC}	9,6	12	14,4
Kapasitet	Ah	1,3	1,0	1,2
Vekt	kg	0,365	0,5	0,7

Batteri		A9272	A9282
Spenning	V_{DC}	9,6	18
Kapasitet	Ah	1,5	1,2
Vekt	kg	0,465	0,73

Lader		
Spenning	V_{AC}	220-240
Ladetid, ca	timer	3

Samsvarserklæring for EU

CD12/CD112/CD96/CD14/CD18/KC12GT/KC14GT

Black & Decker erklærer at disse produktene overholder:
98/37/EF, EN 60745

Lydnivået, målt i henhold til EN 60745:

Lydtrykk (L_{pA}) 68 dB(A), usikkerhet (K) 3 dB(A)

Lydeffekt (L_{WA}) 79 dB(A), usikkerhet (K) 3 dB(A)

Totalverdier, vibrasjon (triax vektorsum) bestemt ifølge
EN 60745:

Slagboring i metall ($a_{h,d}$) < 2,5 m/s², usikkerhet (K) 1,5 m/s²

Skrutrekking uten slag ($a_{h,s}$) < 2,5 m/s², usikkerhet (K) 1,5 m/s²



Kevin Hewitt

Adm. dir. for forbrukerteknikk
Spennymoor, County Durham DL16 6JG,
Storbritannia
5-2-2008

Oversikt over våre autoriserte serviceverksteder finnes på Internet, vår hjemmeside www.blackanddecker.no samt www.2helpU.com

Garanti

Black & Decker garanterer at produktet ikke har material- og/eller fabrikkasjonsfeil ved levering til kunde. Garantien er i tillegg til kundens lovlige rettigheter og påvirker ikke disse. Garantien gjelder innen medlemsstatene i den Europeiske Unionen og i det Europeiske Frihandelsområdet.

Hvis et Black & Decker produkt går i stykker på grunn av material- og/eller fabrikkasjonsfeil eller har mangler i forhold til spesifikasjonene, innen 24 måneder fra kjøpet, påtar Black & Decker seg å reparere eller bytte ut produktet med minst mulig vanskelighet for kunden.

Garantien gjelder ikke for feil som kommer av:

- ◆ normal slittasje
- ◆ feilaktig bruk eller vedlikehold (mislighold)
- ◆ at produktet har blitt skadet av fremmede gjenstander, emner eller ved et uhell

Det gjøres oppmerksom på at produktet ikke er beregnet på industriell/profesjonell/yrkessmessig bruk, men til hus- og hjemmebruk.

Garantien gjelder ikke om reparasjoner har blitt utført av noen andre enn et autorisert Black & Decker serviceverksted.

For å ta garantien i bruk skal produktet og kjøpekvittring leveres til forhandleren eller til et autorisert serviceverksted senest 2 måneder etter at feilen har blitt oppdaget. For informasjon om nærmeste autoriserte serviceverksted; kontakt det lokale Black & Decker kontoret på den adressen som er angitt i bruksanvisningen. En oversikt over alle autoriserte serviceverksteder samt servicevilkår finnes også tilgjengelig på Internet, adresse: www.2helpU.com

Vennligst stikk innom våre nettsider på www.blackanddecker.no for å registrere ditt nye Black & Decker-produkt og for å holde deg oppdatert om nye produkter og spesialtilbud. Du finner mer informasjon om Black & Decker og produktutvalget vårt på www.blackanddecker.no

Reservdeler / reparasjoner

Reservdeler kan kjøpes hos autoriserte Black & Decker serviceverksteder, som også gir kostnadsoverslag og reparerer våre produkter.

Anvendelsesområde

Din Black & Decker boremaskine/skruetrækker er designet til bore- og skrueopgaver i træ, metal og plastik. Værktøjet er kun beregnet til privat brug.

Sikkerhedsinstruktioner

Generelle sikkerhedsadvarsler for værktøjet



Advarsel! Læs alle sikkerhedsadvarsler og instrukser. Hvis nedenstående advarsler og instrukser ikke følges, er der risiko for elektrisk stød, brand og/eller alvorlige personskader.

Gem alle advarsler og instruktioner til fremtidig brug.

Det benyttede begreb "el-værktøj" i nedennævnte advarsler refererer til el-netdrevne (med tilslutningsledning) eller batteridrevne maskiner (uden tilslutningsledning).

1. Sikkerhed i arbejdsområdet

- Sørg for, at arbejdsområdet er rent og ryddeligt.**
Rodede eller uoplyste arbejdsområder øger faren for uheld.
- Brug ikke el-værktøj i eksplosionsfarlige omgivelser, f.eks. hvor der er brændbare væsker, gasser eller støv.**
El-værktøj kan slå gnister, der kan antænde støv eller dampe.
- Sørg for, at børn og andre personer holder sig på afstand, når el-værktøjet er i brug.** Hvis man distraheres, kan man miste kontrollen over maskinen.

2. El-sikkerhed

- El-værktøjsstik skal passe til kontakten. Stikkene må under ingen omstændigheder ændres. Brug ikke adapterstik sammen med jordforbundet el-værktøj.**
Uændrede stik, der passer til kontakterne, nedsætter risikoen for elektrisk stød.
- Undgå kropskontakt med jordforbundne overflader som f.eks. rør, radiatorer, komfurer og køleskabe.** Hvis din krop er jordforbundet, øges risikoen for elektrisk stød.
- El-værktøj må ikke udsættes for regn eller fugt.**
Indtrængen af vand i el-værktøj øger risikoen for elektrisk stød.
- Undgå at ødelægge ledningen. Undgå at bære, trække eller afbryde el-værktøjet ved at rykke i ledningen. Beskyt ledningen mod varme, olie, skarpe kanter eller maskindele, der er i bevægelse.** Beskadede eller indviklede ledninger øger risikoen for elektrisk stød.
- Hvis el-værktøj benyttes i det fri, skal der benyttes en forlængerledning, som er godkendt til udendørs brug.** Brug af en forlængerledning til udendørs brug nedsætter risikoen for elektrisk stød.

- Ved anvendelse af et elektrisk værktøj i områder med damp, anvend da en beskyttende afskærmning.** Denne afskærmning reducerer risikoen for elektrisk stød.

3. Personlig sikkerhed

- Vær opmærksom, hold øje med, hvad du laver, og brug el-værktøjet fornuftigt. Man bør ikke bruge maskinen, hvis man er træt, har nydt alkohol eller er påvirket af medicin eller euforiserende stoffer.**
Få sekunders uopmærksomhed ved brug af el-værktøjet kan føre til alvorlige personskader.
 - Anvend sikkerhedsudstyr. Bær altid beskyttelsesbriller.** Beskyttende udstyr, som en støvmaske, skridsikre sikkerhedssko, beskyttelseshjelm eller ørepropper anvendt i de rigtige betingelser reducere ulykker.
 - Forebyg umotiveret opstart. Vær sikker på, at kontakten er slukket før du forbinder kraftkilden og/eller batteriet, løfter eller bærer værktøjet.** Hvis du bærer på værktøjet med din finger på kontakten eller starter værktøjet med kontakten slået til indbyder til ulykker.
 - Fjern indstillingsværktøj eller skruenøgle, inden el-værktøjet tændes.** Et værktøj eller en nøgle, der efterlades i en roterende del i el-værktøjet, kan resultere i personskader.
 - Overvurder ikke dig selv. Sørg for, at du altid har sikkert fodfæste og balance.** Det gør det nemmere at kontrollere el-værktøjet, hvis der skulle opstå uventede situationer.
 - Brug egnet arbejdstøj. Undgå løse beklædningsgenstande eller smykker. Hold hår, tøj og handsker væk fra dele, der bevæger sig.** Bevægelige dele kan gribe fat i løstsiddende tøj, smykker eller langt hår.
 - Hvis støvudsugnings- og opsamlingsudstyr kan monteres, er det vigtigt, at dette tilsluttes og benyttes korrekt.** Brug af støvopsamling nedsætter risikoen for personskader som følge af støv.
- #### 4. Brug og vedligeholdelse af el-værktøj
- Undgå at overbelaste el-værktøjet. Brug altid det rette el-værktøj til opgaven.** Med det rigtige el-værktøj udføres arbejdet lettere og sikrere inden for det angivne effektområde.
 - Brug ikke el-værktøjet, hvis afbryderen er defekt.** El-værktøj, der ikke kan reguleres med afbryderen, er farligt og skal repareres.
 - Træk stikket ud af stikkontakten og/eller afmonter batteriet inden indstilling, tilbehørsudskiftning eller opbevaring af el-værktøjet.** Disse sikkerhedsforanstaltninger reducerer risikoen for utilsigtet start af værktøjet.

- d. **Opbevar ubenyttet el-værktøj uden for børns rækkevidde. Lad aldrig personer, der ikke er fortrolige med el-værktøj, eller som ikke har gennemlæst disse instrukser, benytte maskinen.** El-værktøj er farligt, hvis det benyttes af ukyndige personer.
- e. **El-værktøj bør vedligeholdes omhyggeligt. Kontroller, om bevægelige dele er skæve og ikke sidder fast, og om delene er brækket eller beskadiget, således at el-værktøjets funktion påvirkes. Få beskadigede dele repareret, inden el-værktøjet tages i brug.** Mange uheld skyldes dårligt vedligeholdt el-værktøj.
- f. **Sørg for, at skæreværktøjer er skarpe og rene.** Omhyggeligt vedligeholdt skæreværktøjer med skarpe skærekanter sætter sig ikke så hurtigt fast og er nemmere at føre.
- g. **Brug el-værktøj, tilbehør, indsatsværktøj osv. i overensstemmelse med disse instrukser, og sådan som det kræves for denne specielle værktøjstype. Tag hensyn til arbejdsforholdene og det arbejde, der skal udføres.** I tilfælde af anvendelse af el-værktøjet til formål, som ligger uden for det fastsatte anvendelsesområde, kan der opstå farlige situationer.
5. **Brug og vedligeholdelse af batteriværktøj**
- a. **Oplades kun ved hjælp af ladeaggregater, der er anbefalet af fabrikanten.** Et ladeaggregat, der er egnet til en bestemt type batterier, kan udgøre brandfare, hvis det bruges med andre batterityper.
- b. **Brug kun el-værktøjet med specifikt fremstillede batterier.** Brug af andre batterier kan øge risikoen for personskader og er forbundet med brandfare.
- c. **Batterier, der ikke er i brug, må ikke komme i berøring med andre metalgenstande som f.eks. kontorclips, mønter, nøgler, søm, skruer eller andre små metalgenstande, da disse kan kortslutte kontakterne.** En kortslutning mellem batteripolerne kan medføre forbrændinger eller brand.
- d. **Hvis batteriet anvendes forkert, kan der slippe væske ud af det. Undgå kontakt med denne væske. Hvis der alligevel skulle forekomme kontakt, skylles med vand. Søg læge, hvis væsken kommer i øjnene.** Væske fra batteriet kan give hudirritation eller forbrændinger.
6. **Service**
- a. **Sørg for, at el-værktøjet kun reparerer af kvalificerede fagfolk, og at der kun benyttes originale reservedele.** Dermed bevares el-værktøjets sikkerhed.
- ◆ **Brug høreværn, når du bruger slagbor.** Udsættelse for støj kan føre til høretab.
- ◆ **Brug de hjælpehåndtag, der følger med maskinen.** Tab af kontrol kan forårsage lemlæstelser.
- ◆ **Hold altid kun fast på maskinen på de isolerede håndtagsflader, når der skal saves i emner, hvor der er risiko for, at skæretilbehøret kan komme i kontakt med strømførende ledninger eller apparatets eget kabel.** I tilfælde af at skæretilbehør kommer i kontakt med strømførende ledninger, vil metaldelene på værktøjet være under spænding og give elektrisk stød.
- ◆ **Brug spænder eller en anden praktisk måde til at sikre og støtte arbejdsemnet til en stabil flade.** Hvis det holdes i hånden eller mod kroppen, er det ustabilt og kan føre til tab af kontrol.
- ◆ Før der bores i vægge, gulve eller lofter checkes ledningers og rørs placering.
- ◆ Man skal undgå at røre borespidsen lige efter, at man har boret, idet den kan være varm.
- ◆ Dette apparat er ikke egnet for brug af personer (inklusive børn) med manglende evner, eller uden omkring produktet med mindre de har modtaget undervisning eller instruktioner i brug af apparatet fra en person, som er ansvarlig for sikkerheden. Der skal være opsyn med børn for at sikre, at de ikke leger med maskinen.
- ◆ Det formål, som dette værktøj er beregnet til, er beskrevet i denne brugsanvisning. Brug af andet tilbehør eller udførelse af en anden opgave med dette værktøj end de her anbefalede kan medføre risiko for personskader og/eller skader på materiel.

Yderligere sikkerhedsanvisninger til batterier og opladere

Batterier

- ◆ Man må aldrig forsøge at åbne et batteri.
- ◆ Udsæt det ikke for vand.
- ◆ Udsæt ikke batteriet for varme.
- ◆ Batteriet må ikke opbevares i et lokale, hvor temperaturen overstiger 40 °C.
- ◆ Batteriet må kun oplades ved omgivelsestemperaturer mellem 4 °C og 40 °C.
- ◆ Oplad kun med den vedlagte oplader.
- ◆ Ved kassering af batterier, skal man følge vejledningen i afsnittet "Miljø".
- ◆ Under ekstreme forhold kan der forekomme batteriutæthed. Hvis man opdager væske på batteriet, skal man gå frem på følgende måde:
- Tør forsigtigt væsken af med en klud. Undgå kontakt med huden.
 - I tilfælde af at væsken kommer i kontakt med huden, skal man følge nedenstående vejledning.



Advarsel! Yderligere sikkerhedsadvarsler for bor og slagbor

Advarsel! Batterivæsken, en 25-30% opløsning af kaliumhydroxid, kan være skadelig. Ved hudkontakt skal stedet omgående skylles med vand. Neutralisér med en mild syre såsom citronsaft eller eddike. Rens med rigeligt rent vand i mindst 10 minutter, hvis det kommer i kontakt med øjnene. Opsøg læge.



Brandfare! Undgå at kortslutte kontakterne på et frakoblet batteri (f.eks. ved at opbevare batteriet i en værktøjskasse).



Brænd ikke batteriet.



Oplad ikke beskadigede batterier.

Opladere

- ◆ Din Black & Decker lader må kun benyttes til Black & Decker batterier af samme slags som dem, der fulgte med værktøjet. Andre batterier kan eksplodere og derved forårsage personskader og skader på ting.
- ◆ Man må aldrig forsøge at genoplade ikke-opladelige batterier.
- ◆ Defekte ledninger skal straks udskiftes.
- ◆ Udsæt ikke opladeren for vand.
- ◆ Opladeren må ikke åbnes.
- ◆ Opladeren må ikke manipuleres.



Opladeren er kun beregnet til indendørs brug.

Vibration

De deklarerede vibrationsemissionsværdier, som er angivet i tekniske data og overensstemmelseserklæring er blevet udmålt i overensstemmelse med en standardtestmetode foreskrevet af EN 60745 og kan anvendes til at sammenligne et værktøj med et andet. De deklarerede vibrationsemissionsværdier kan ligeledes anvendes i en præliminær undersøgelse af eksponeringen.

Advarsel! Vibrationsemissionsværdien under den faktiske brug af værktøjet kan variere fra den deklarerede værdi, alt efter hvilken måde værktøjet anvendes på. Vibrationerne kan nå op på et niveau over det anførte.

Når vibrationseksponeringen undersøges med det formål at fastsætte sikkerhedsforanstaltningerne ifølge 2002/44/EF for at beskytte personer, som regelmæssigt anvender værktøjer i forbindelse med deres arbejde, bør en måling af vibrationseksponeringen betænke, den måde værktøjet anvendes på inklusive alle dele af arbejdsrytmen såsom tidspunkter, hvor værktøjet er slukket eller kører i tomgang, ud over det tidsrum hvor det anvendes.

Etiketter på værktøjet

Følgende piktogrammer ses på værktøjet:



Advarsel! For at mindske risikoen for skader skal brugeren læse instruktionsmanualen.

El-sikkerhed



Din oplader er dobbelt isoleret. Derfor er jordledning ikke nødvendig. Før brug skal det kontrolleres, at netspændingen svarer til den, der er angivet på typeskiltet. Forsøg aldrig at udskifte opladerenheden med et almindeligt netstik.

- ◆ Hvis el-ledningen er skadet, skal den udskiftes af producenten eller et autoriseret Black & Decker servicecenter for at undgå ulykker.

Funktioner

Dette værktøj har nogle af - eller alle følgende funktioner:

1. Variabel hastighedskontrol eller to-hastigheds afbryder
2. Højre/venstre-omskifter
3. Funktionsvælger / kravet til vridmomentjustering
4. Borepatron
5. Batteri
6. Batteri-udløserknap

Fig. D & E

7. Lader
8. Holder med indbygget lader
9. Opladerkontakt
10. Opladerstik

Montering

Advarsel! Før montering skal batteriet altid afmonteres.

Isætning og fjernelse af batteriet (fig. A)

- ◆ Sæt batteriet (5) i ved at placere det på linje med værktøjets batteriholder. Dernæst placeres batteriet i holderen og skubbes på plads.
- ◆ For at fjerne batteriet, trykkes der på de to udløserknapper (6) samtidig med, at batteriet tages ud af batteriholderen.

Montering og demontering af en borebits eller en skruetrækkerbits (fig. B)

Advarsel! Tag først batteriet ud af værktøjet.

Værktøjet er udstyret med en selvspændende patron for at lette udskiftning af bits.

- ◆ Fastlås værktøjet ved at sætte fremad/bagud omskifteren (2) i midterposition.

- ◆ Åbn patronen ved at dreje frontdelen (11) med den ene hånd, mens bagenden (12) holdes med den anden (fig. B).
- ◆ Sæt bitskaffet (17) ind i patronen.
- ◆ Stram patronen ved at dreje frontdelen (11) med den ene hånd, mens bagenden (12) holdes med den anden.

Udtagning og genindsættelse af borepatronen (fig. C)

- ◆ Åbn borepatronen så meget som muligt.
- ◆ Fjern patronens fastholdelsesskrue ved at dreje den med uret med en skruetrækker.
- ◆ Stram en unbraconøgle (14) ind i borepatronen, og slå den med en hammer som vist.
- ◆ Fjern unbraconøglen.
- ◆ Fjern borepatronen ved at dreje den mod uret.
- ◆ Sæt borepatronen på plads igen ved at skruе den på spindelen og låse den med borepatronens fastholdelsesskrue.

Anvendelse

Advarsel! Lad værktøjet arbejde i dets eget tempo. Det må ikke overbelastes.

Opladning af batteriet

Batteriet skal oplades, før det tages i brug for første gang, og derefter skal der genoplades når maskinen virker træg og ikke længere arbejder med vanlig præstation. Når batteriet oplades for første gang eller efter en længere periode uden at være brugt, kan det kun oplades 80%. Efter adskillige opladnings- og afladningsperioder opnår batteriet fuld kapacitet. Batteriet kan blive opvarmet under opladning; dette er normalt og er ikke ensbetydende med, at der er problemer.

Warning Batteriet må ikke oplades i omgivelsestemperaturer på under 4 °C eller over 40 °C. Anbefalet opladningstemperatur: ca. 24 °C.

Oplader med vægholder (fig. D)

- ◆ For at oplade batteriet (6) fjernes det fra værktøjet og sættes ind i opladervægholderen (8). Batteriet kan kun sættes ind på én måde. Man må ikke tvinge det. Man skal sikre sig, at batteriet sidder helt inde i opladeren.
- ◆ Sæt opladeren i stikkontakten.

Efter normal brug vil en opladning på 3 timer give tilstrækkelig kraft til de fleste formål. Men yderligere opladning i op til 6 timer kan øge anvendelsestiden betydeligt, afhængigt af batteriets tilstand og opladningsforholdene.

- ◆ Fjern batteriet fra opladeren.

Oplader uden vægholder (fig. E)

- ◆ Sørg for at batteriet er monteret på boremaskinen, når det skal lades op.

- ◆ Sæt opladerstikket (10) i kontakten (9).
- ◆ Sæt opladeren i stikkontakten.

Efter normal brug vil en opladning på 3 timer give tilstrækkelig kraft til de fleste formål. Men yderligere opladning i op til 6 timer kan øge anvendelsestiden betydeligt, afhængigt af batteriets tilstand og opladningsforholdene.

- ◆ Tag værktøjet fra opladeren.

Advarsel! Brug ikke værktøjet, mens det er koblet til opladeren.

Valg af drejeretning

Til boring og stramning af skruer benyttes fremadrotation (med uret). Til løsning af skruer eller fjernelse af blokerede borebits bruges bagudrotation (mod uret).

- ◆ Vælg fremadrotation ved at skubbe fremad/bagud omskifteren (2) til venstre.
- ◆ Vælg bagudrotation ved at skubbe fremad/bagud omskifteren til højre.
- ◆ For at låse værktøjet sættes fremad/bagud omskifteren i midten.

Valg af funktionstilstand eller vridmoment (fig. F)

Værktøjet er udstyret med en krave til valg af funktionstilstanden og til indstilling af vridmomentet til stramning af skruer. Store skruer og hårde arbejdsemner kræver en højere vridmomentindstilling end små skruer og bløde arbejdsemner. Kraven har mange indstillinger til ethvert behov.

- ◆ Hvis man vil bore i træ, metal og plastic, indstilles kraven (3) på borepositionen ved at sætte 2 ud for markeringen (15).
- ◆ Til skruetrækning indstilles kraven på den ønskede position. Hvis ikke man kender den korrekte indstilling, skal man gå frem som angivet nedenfor:
 - Indstil kraven (3) på det laveste vridmoment.
 - Stram den første skrue.
 - Hvis ikke man opnår det ønskede resultat, øges kravens indstilling, og man fortsætter med at stramme skruen. Proceduren gentages, indtil man opnår det ønskede resultat. Denne indstilling benyttes til resten af skrueene.

Start og stop

Variabel hastighedskontrol

- ◆ Tænd værktøjet ved at trykke på kontakten til variabel hastighed (1). Værktøjets hastighed afhænger af, hvor langt ind man trykker afbryderen.
- ◆ Sluk værktøjet ved at slippe kontakten til variabel hastighed.

Afbryder med to hastigheder

- ◆ Tænd for værktøjet ved at trykke på afbryderen (1). Når man trykker let på afbryderen, kører maskinen for lav hastighed. Når man trykker yderligere på afbryderen, kører maskinen for fuld hastighed.
- ◆ Sluk værktøjet ved at slippe kontakten til variabel hastighed.

Gode råd til optimalt brug

Boring

- ◆ Tryk kun let i samme retning som den monterede borebit.
- ◆ Lige før borespidsen går igennem arbejdsemnets bagside, lettes trykket på værktøjet.
- ◆ Benyt en træklods til at støtte bagsiden af arbejdsemner, som kan splintre.
- ◆ Benyt spadebits, når der bores huller med stor diameter i træ.
- ◆ Benyt HSS borebits, når der bores i metal.
- ◆ Benyt murbor til boring i blødt murværk.
- ◆ Benyt smøremiddel, når der bores i metal, som ikke er støbejern eller messing.
- ◆ Lav et prøvehul ved at benytte en kørner i centrum af det hul, som skal bores, for således at forbedre nøjagtigheden.

Anvendelse som skruetrækker

- ◆ Man skal altid benytte skruetrækkerbits af korrekt type og størrelse.
- ◆ Hvis skrueerne er svære at stramme, kan man påsmøre en smule sæbe som smøremiddel.
- ◆ Værktøjet og skruetrækkerbit'en skal altid holdes lige på skruen.

Vedligeholdelse

Black & Decker værktøjet er blevet designet til at være i drift gennem en længere periode med en minimal vedligeholdelse. Forsat tilfredsstillende drift afhænger af korrekt behandling af værktøjet samt regelmæssig rengøring.

Opladeren kræver ingen anden vedligeholdelse end regelmæssig rengøring.

Advarsel! Før udførelse af vedligeholdelsesopgaver på værktøjet, skal batteriet fjernes. Tag opladeren ud af stikkontakten, før den rengøres.

- ◆ Man skal regelmæssigt rengøre værktøjets ventilationshuller og oplader med en blød børste eller en tør klud.
- ◆ Man skal regelmæssigt gøre motorhuset rent med en fugtig klud. Man må ikke bruge slibemidler eller opløsningsmidler.
- ◆ Man skal regelmæssigt åbne patronen og banke den let for at fjerne støv fra dens indre.

Beskyttelse af miljøet



Separat indsamling. Dette produkt må ikke bortskaffes sammen med almindeligt husholdningsaffald.

Hvis du en dag skal udskifte dit Black & Decker produkt, eller hvis du ikke skal bruge det længere, må du ikke bortskaffe det sammen med husholdningsaffald. Dette produkt skal være tilgængeligt for separat indsamling.



Separat indsamling af brugte produkter og emballage gør det muligt at genbruge materialer. Genbrugte materialer forebygger miljøforurening og nedbringer behovet for råstoffer.

Lokale regler kan give mulighed for separat indsamling af elektriske husholdningsprodukter på kommunale lossepladser eller hos den forhandler, som du købte produktet af.

Black & Decker har en facilitet til indsamling og genbrug af Black & Decker-produkter, når deres levetid er slut. Få fordelene ved denne service ved at returnere produktet til en autoriseret tekniker, der samler værktøj sammen på vores vegne.

Du kan få oplyst den nærmeste autoriserede tekniker ved at kontakte det lokale Black & Decker-kontor på den adresse, der er angivet i denne brugsanvisning. Alternativt findes der en liste over autoriserede Black & Decker-teknikere og oplysninger om vores eftersalgsservice og kontaktpersoner på Internettet på adressen: www.2helpU.com

Batterier



Black & Decker batterier kan oplades mange gange. Ved endt teknisk levetid skal man kassere dem med omtanke for miljøet:

- ◆ Aflad batteriet fuldstændigt, og fjern det derefter fra værktøjet.
- ◆ NiCd-, NiMH- og Li-Ion-batterier kan genbruges. Bring dem til en autoriseret tekniker eller en lokal genbrugscentral.

Tekniske data

		CD12	CD112	CD96
Spænding	V_{DC}	12	12	9,6
Ubelastet hastighed	min^{-1}	700	700	700
Maks. vridmoment	Nm	8	8	7,5
Patronkapacitet	mm	10	10	10
Maks. borekapacitet				
Stål	mm	10	10	10
Træ	mm	25	25	25
Vægt	kg	0,9	0,9	0,7

		CD14	CD18
Spænding	V_{DC}	14,4	18
Ubelastet hastighed	min^{-1}	750	850
Maks. vridmoment	Nm	12,5	13
Patronkapacitet	mm	10	10
Maks. borekapacitet			
Stål	mm	10	10
Træ	mm	25	25
Vægt	kg	1,01	1,03

		KC12GT	KC14GT
Spænding	V_{DC}	12	14,4
Ubelastet hastighed	min^{-1}	700	750
Maks. vridmoment	Nm	8	12,5
Patronkapacitet	mm	10	10
Maks. borekapacitet			
Stål	mm	10	10
Træ	mm	25	25
Vægt	kg	0,9	1,01

Batteri	A9251	A9252	A9262
Spænding	V_{DC} 9,6	12	14,4
Kapacitet	Ah 1,3	1,0	1,2
Vægt	kg 0,365	0,5	0,7

Batteri	A9272	A9282
Spænding	V_{DC} 9,6	18
Kapacitet	Ah 1,5	1,2
Vægt	kg 0,465	0,73

Lader	
Spænding	V_{AC} 220-240
Opladningstid (ca.)	t 3

EU overensstemmelseserklæring

CD12/CD112/CD96/CD14/CD18/KC12GT/KC14GT

Black & Decker erklærer, at disse produkter er i overensstemmelse med følgende:

98/37/EF, EN 60745

Lydniveauet i henhold til :

Lydtryk (L_{pA}) 68 dB(A), usikkerhed (K) 3 dB(A)

Lydintensitet (L_{WA}) 79 dB(A), usikkerhed (K) 3 dB(A)

Vibrationernes totale værdi (triax vector sum) i henhold til EN 60745:

Slagboring i metal ($a_{h,D}$) < 2.5 m/s², usikkerhed (K) 1,5 m/s²

Skruing uden kraft ($a_{n,S}$) < 2.5 m/s², usikkerhed (K) 1,5 m/s²



Kevin Hewitt
 Director of Consumer Engineering
 Spennymoor, County Durham DL16 6JG,
 Storbritannien
 5-2-2008

Reserve dele / reparationer

Reserve dele kan købes hos autoriserede Black & Decker serviceværksteder, som giver forslag til omkostninger og reparerer vore produkter. Oversigt over vore autoriserede værksteder findes på internettet på vor hjemmeside www.blackanddecker.dk samt www.2helpU.com

Garanti

Black & Decker garanterer, at produktet er fri for materielle skader og/eller fabriktionsfejl ved levering til kunden. Garantien er et tillæg til konsumentens lovlige rettigheder og påvirker ikke disse. Garantien gælder indenfor medlemsstaterne af den Europæiske Union og i det Europæiske Frihandelsområde.

Hvis et Black & Decker produkt går i stykker på grund af materiel skade og/eller fabriktionsfejl eller på anden måde ikke fungerer i overensstemmelse med specifikationen, inden for 24 måneder fra købsdatoen, påtager Black & Decker sig at reparere eller ombytte produktet med mindst muligt besvær for kunden.

Garantien gælder ikke for fejl og mangler, der er sket i forbindelse med:

- ◆ normal slitage
- ◆ uheldige følger efter unormal anvendelse af værktøjet
- ◆ overbelastning, hævværk eller overdrevent intensivt brug af værktøjet
- ◆ ulykkeshændelse

Garantien gælder ikke hvis reparationer er udført af nogen anden end et autoriseret Black & Decker værksted.

For at udnytte garantien skal produktet og købskvitteringen indleveres til forhandleren eller til et autoriseret værksted, senest 2 måneder efter at fejlen opdages. For information om nærmeste autoriserede værksted: kontakt det lokale Black & Decker kontor på den adresse som er opgivet i brugsanvisningen. Liste over alle autoriserede Black & Decker serviceværksteder samt servicevilkår er tilgængelig på internettet, på adressen www.2helpU.com

Gå venligst ind på vores website www.blackanddecker.dk for at registrere dit nye produkt og for at blive holdt ajour om nye produkter og specialtilbud. Der findes yderligere oplysninger om mærket Black & Decker og vores produktsortiment på adressen www.blackanddecker.dk

Käyttötarkoitus

Black & Deckerin akkuporakone/ruuvinväännin on tarkoitettu ruuvaamiseen sekä puun, metallin ja muovin poraamiseen. Kone on tarkoitettu kotikäyttöön.

Turvaohjeet

Yleiset sähkötyökalujen turvallisuusohjeet



Varoitus! Kaikki ohjeet täytyy lukea. Alla olevien ohjeiden noudattamisen laiminlyönti saattaa johtaa sähköiskuun, tulipaloon ja/tai vakavaan loukkaantumiseen.

Säilytä nämä ohjeet hyvin. Seuraavassa käytetty käsite "sähkötyökalu" käsittää verkkokäyttöiset sähkötyökalut (verkkojohdolla) ja paristokäyttöiset sähkötyökalut (ilman verkkojohdtoa).

1. Työpisteen turvallisuus

- Pidä työskentelyalue puhtaana ja hyvin valaistuna.** Epäjärjestyksessä olevilla ja valaisemattomilla työalueilla voi tapahtua tapaturmia.
- Älä työskentele sähkötyökalulla räjähdysalttiissa ympäristössä, jossa on palavaa nestettä, kaasua tai pölyä.** Sähkötyökalu muodostaa kipinöitä, jotka saattavat sytyttää pölyn tai höyryt.
- Pidä lapset ja sivulliset loitolla sähkötyökalua käyttäessäsi.** Voit menettää laitteesi hallinnan huomiosi suuntautuessa muualle.

2. Sähköturvallisuus

- Sähkötyökalun pistotulpan tulee sopia pistorasiaan. Pistotulppaa ei saa muuttaa millään tavalla. Älä käytä minkäänlaisia sovittinpistokkeita maadoitettujen sähkötyökalujen kanssa.** Alkuperäisessä tilassa olevat pistotulpat ja sopivat pistorasiat vähentävät sähköiskun vaaraa.
- Vältä koskettamasta maadoitettuja pintoja, kuten putkia, pattereita, liesiä tai jääkaappeja.** Sähköiskun vaara kasvaa, jos kehosi on maadoitettu.
- Älä altista sähkötyökalua sateelle tai kosteudelle.** Veden tunkeutuminen sähkötyökalun sisään kasvattaa sähköiskun riskiä.
- Älä käytä verkkojohtoa väärin. Älä käytä sitä sähkötyökalun kantamiseen, vetämiseen tai pistotulpan irrottamiseen pistorasiasta. Pidä johto loitolla kuumuudesta, öljystä, terävistä reunoista ja liikkuvista osista.** Vahingoittuneet tai sotkeutuneet johdot kasvattavat sähköiskun vaaraa.

- Käyttäessäsi sähkötyökalua ulkona, käytä ainoastaan ulkokäyttöön soveltuvaa jatkojohtoa.** Ulkokäyttöön soveltuvan jatkojohtoon käyttö pienentää sähköiskun vaaraa.
- Jos sähkötyökalua joudutaan käyttämään kosteassa ympäristössä, käytä aina jäännösvirtalaitteella (RCD) suojattua virtalähdettä.** Jäännösvirtalaitteen käyttö vähentää sähköiskun vaaraa.

3. Henkilöturvallisuus

- Ole valpas, kiinnitä huomiota työskentelyysi ja noudata tervettä järkeä sähkötyökalua käyttäessäsi. Älä käytä sähkötyökalua, jos olet väsynyt tai huumeiden, alkoholin tai lääkkeiden vaikutuksen alaisena.** Hetken tarkkaamattomuus sähkötyökalua käytettäessä saattaa johtaa vakavaan loukkaantumiseen.
- Käytä suojaruusteita. Käytä aina suojalaseja.** Suojaruusteet, kuten pölynsuojaanamari, luistamattomat turvajalkineet, kypärä ja kuulosuojaimet pienentävät, tilanteen mukaan oikein käytettynä, loukkaantumisriskiä.
- Vältä sähkötyökalun tahatonta käynnistämistä. Varmista, että käynnistyskytkin on asennossa "off", ennen kuin kytket pistotulpan pistorasiaan tai kannat sähkötyökalua.** Jos kannat sähkötyökalua sormi käynnistyskytkimellä tai kytket sähkötyökalun pistotulpan pistorasiaan, käynnistyskytkimen ollessa käyntiasennossa, altistat itsesi onnettomuuksille.
- Poista kaikki säätötyökalut ja ruuvitalpat, ennen kuin käynnistät sähkötyökalun.** Laitteen pyörivään osaan jäänyt työkalu tai avain saattaa johtaa loukkaantumiseen.
- Älä kurkota. Seiso aina tukevasti ja tasapainossa.** Täten voit paremmin hallita sähkötyökalua odottamattomissa tilanteissa.
- Käytä tarkoitukseen soveltuvia vaatteita. Älä käytä löysiä työvaatteita tai koruja. Pidä hiukset, vaatteet ja käsineet loitolla liikkuvista osista.** Väljät vaatteet, korut ja pitkät hiukset voivat takertua liikkuviin osiin.
- Jos pölynimu- ja keräilylaitteita voidaan asentaa työkaluun, sinun pitää tarkistaa, että ne on liitetty ja että niitä käytetään oikealla tavalla.** Näiden laitteiden käyttö vähentää pölyn aiheuttamia vaaroja.

4. Sähkötyökalujen käyttö ja hoito

- Älä ylikuormita sähkötyökalua. Käytä kyseiseen työhön tarkoitettua sähkötyökalua.** Sopivaa sähkötyökalua käyttäen työskentelet paremmin ja varmemmin tehoalueella, jolle sähkötyökalu on tarkoitettu.
- Älä käytä sähkötyökalua, jota ei voida käynnistää ja pysäyttää virtakytkimestä.** Sähkötyökalu, jota ei enää voida käynnistää ja pysäyttää käynnistyskytkimellä, on vaarallinen ja se täytyy korjata.

- c. **Irrota pistotulppa pistorasiasta, ennen kuin suoritat säätöjä, vaihdat tarvikkeita tai siirrät sähkötyökalun varastoivaksi.** Nämä turvatoimenpiteet laskevat sähkötyökalun tahatonta käynnistysriskiä.
- d. **Säilytä sähkötyökalu poissa lasten ulottuvilta, kun niitä ei käytetä. Älä anna sellaisten henkilöiden käyttää sähkötyökalua, jotka eivät tunne sitä tai jotka eivät ole lukeneet tätä käyttöohjetta.** Sähkötyökalut ovat vaarallisia, jos niitä käyttävät kokemattomat henkilöt.
- e. **Hoida sähkötyökalusi huolella. Tarkista, että liikkuvat osat toimivat moitteettomasti, eivätkä ole puristuksessa ja että työkalussa ei ole murtuneita tai vahingoittuneita osia, jotka saattaisivat vaikuttaa haitallisesti sen toimintaan. Korjauta mahdolliset viat ennen käyttöönottoa.** Moni tapaturma aiheutuu huonosti huolletuista laitteista.
- f. **Pidä leikkausterät terävinä ja puhtaina.** Huolellisesti hoidetut leikkaustyökalut, joiden terät ovat teräviä, eivät tartu helposti kiinni ja niitä on helpompi hallita.
- g. **Käytä sähkötyökaluja, tarvikkeita, vaihtotyökaluja jne. näiden ohjeiden mukaisesti. Ota tällöin huomioon työolosuhteet ja suoritettava toimenpide.** Sähkötyökalun käyttö muuhun kuin tarkoituksenmukaiseen käyttöön saattaa johtaa vaarallisiin tilanteisiin.
5. **Akkukäyttöisten työkalujen käyttö ja hoito**
- a. **Lataa akku vain valmistajan määrittelemällä laturilla.** Laturi, joka soveltuu määrätyn tyyppiselle akulle, saattaa muodostaa tulipalovaaran erilaista akkua ladattaessa.
- b. **Käytä sähkötyökalussa ainoastaan kyseiseen sähkötyökaluun tarkoitettua akkua.** Jonkun muun akun käyttö saattaa johtaa loukkaantumiseen ja tulipaloon.
- c. **Pidä irrallista akkua loitolla metalliesineistä, kuten paperinliittimistä, kolikoista, avaimista, nauloista, ruuveista tai muista pienistä metalliesineistä, jotka voivat oikosulkea akun koskettimet.** Akun kosketintien välinen oikosulku saattaa aiheuttaa palovammoja tai johtaa tulipaloon.
- d. **Väärästä käytöstä johtuen saattaa paristosta vuotaa nestettä, jota ei tule koskettaa. Jos nestettä vahingossa joutuu iholle, huuhtele kosketuskohta vedellä. Jos nestettä pääsee silmiin, tarvitaan tämän lisäksi lääkärin apua.** Paristosta vuotava neste saattaa aiheuttaa ärsytystä ja palovammoja.
6. **Huolto**
- a. **Anna koulutettujen ammattitaitoisten henkilöiden korjata sähkötyökalusi ja hyväksy korjauksiin vain alkuperäisiä varaosia.** Täten varmistat, että sähkötyökalu säilyy turvallisena.

Sähkötyökalujen lisäturvallisuusohjeet



Varoitus! Porakoneiden ja iskuporakoneiden lisäturvallisuusohjeet

- ◆ **Käytä kuulonsuojaimia iskuporakoneiden käytön yhteydessä.** Altistuminen melulle voi aiheuttaa kuulovaurioita.
- ◆ **Käytä koneen varusteisiin kuuluvia lisäkahvoja.** Koneen hallinnan menetyksellä voi aiheuttaa loukkaantumisen.
- ◆ **Käsittele sähkötyökalua eristävien tartuntapintojen avulla kun teet työtä jossa leikkaustarvike voi joutua kosketuksiin piilossa olevien sähköjohtojen tai oman virtajohtonsa kanssa.** Jännitteeseen johtimeen koskettava leikkaustarvike saattaa tehdä työkalun paljaista metalliosista jännitteisiä ja aiheuttaa sähköiskun käyttäjälle.
- ◆ **Käytä ruuvipuristimia tai vastaavaa keinoa, jolla saat kiinnitettyä ja tuettua työkappaleen tukevalle alustalle.** Työkappaleen kannatteleminen käsin tai tukeminen kehoa vasten voi johtaa kappaleen irtaamiseen ja vaaratilanteen syntymiseen.
- ◆ Ennen seinien, lattioiden tai kattojen poraamista tarkista sähköjohtojen ja putkistojen sijainnit.
- ◆ Vältä poranterän koskettamista heti poraamisen jälkeen, sillä se saattaa olla kuuma.
- ◆ Henkilöt (lapset mukaan lukien), joilla on fyysisiä, tunnollisia tai henkisiä rajoituksia tai rajallinen kokemus ja tuntemus, eivät saa käyttää tätä laitetta ellei heidän turvallisuudesta vastaava henkilö valvo tai ohjaa heitä laitteen käytössä. Lapsia on valvottava, etteivät he leiki koneen kanssa.
- ◆ Käyttö, johon työkalu on tarkoitettu, on kuvailtu tässä käyttöohjeessa. Käytä vain käyttöohjeessa ja tuotekuvastossa suositeltuja tarvikkeita ja lisälaitteita. Ohjeesta poikkeava käyttö voi aiheuttaa onnettomuuden ja/tai aineellisia vahinkoja.

Lisäturvaohteet akuille ja latureille

Akut

- ◆ Älä koskaan yritä avata paristoa.
- ◆ Älä altista akkua vedelle.
- ◆ Älä altista akkua kuumuudelle.
- ◆ Älä säilytä paristoa paikassa, jonka lämpötila ylittää +40 °C.
- ◆ Lataa akku ainoastaan lämpötilan ollessa +10 °C - +40 °C.
- ◆ Lataa akku käyttäen ainoastaan laitteen mukana toimitettua laturia.
- ◆ Kun poistat pariston käytöstä, noudata kappaleessa "Ympäristönsuojelu" annettuja ohjeita.
- ◆ Ääriolosuhteissa paristot saattavat vuotaa. Kun havaitset akusta tulevan nestettä, toimi seuraavasti:
 - Kuivaa neste varovasti pois siivousliinalla.
 - Vältä nesteen joutumisen iholle.

- Mikäli nestettä osuu iholle tai silmiin, noudata alla olevia ohjeita:

Varoitus! Akkuneste (25-30% kaliumhydroksidiliuosta) saattaa olla haitallista. Jos akkunestettä pääsee iholle, huuhto se välittömästi vedellä. Neutralisoi akkuneste esim. etikalla tai sitruunamehulla. Jos akkunestettä joutuu silmiin, huuhtelee silmiä runsaalla puhtaalla vedellä vähintään 10 minuutin ajan. Ota yhteys lääkäriin.



Palovaara! Älä anna irrotetun akun kontaktien mennä oikosulkuun metallin kanssa (esim. säilytettäessä akku työkalupakissa).



Älä polta akkuja.



Älä koskaan yritä ladata viallisia akkuja.

Laturit

- ◆ Käytä Black & Decker -laturia ainoastaan laitteen mukana toimitetun akun lataamiseen. Muunlaiset akut saattavat räjähtää aiheuttaen henkilö- ja esinevahinkoja.
- ◆ Älä koskaan yritä ladata ei-ladattavia akkuja.
- ◆ Vaihda vialliset johdot välittömästi.
- ◆ Älä altista laturia vedelle.
- ◆ Älä avaa laturia.
- ◆ Älä vahingoita laturia.



Laturi on tarkoitettu vain sisäkäyttöön.

Tärinä

Käyttöohjeen teknisissä tiedoissa ja vaatimustenmukaisuusvaikutuksessa ilmoitetut tärinän päästöarvot on mitattu EN 60745-normin vakioiden testimenetelmän mukaisesti ja niitä voidaan käyttää työkalun vertaamisessa toiseen. Ilmoitettua tärinän päästöarvoa voidaan myös käyttää altistumisen arviointiin ennakolta.

Varoitus! Sähkötyökalun tärinän päästöarvo voi varsinaisen käytön aikana poiketa ilmoitetusta arvosta riippuen siitä, millä tavalla työkalua käytetään. Tärinän taso voi kohota ilmoitetun tason yläpuolelle.

Kun tärinälle altistumista arvioidaan, jotta voidaan määrittää 2002/44/EY-direktiivin edellyttämät turvatoimenpiteet säännöllisesti sähkötyökaluja työssä käyttävien henkilöiden suojelemiseksi, tärinälle altistumisen arvion tulee ottaa huomioon varsinaiset käyttöolosuhteet ja työkalun käyttötavan, johon sisältyy kaikkien käyttöjakson osien huomioon ottaminen, kuten ajat, jolloin työkalu on pois päältä tai kun se käy joutokäyntiä sekä käynnistysajan.

Koneessa olevat merkit

Koneessa on seuraavat kuvakemerkinnät:



Varoitus! Loukkaantumisen vaaran ehkäisemiseksi käyttäjän on luettava käyttöohjeet.

Sähköturvallisuus



Laturi on kaksoiseristetty; siksi erillistä maadoitusta ei tarvita. Tarkista aina ennen laitteen käyttöä, että verkkojännite vastaa arvokilvessä ilmoitettua jännitettä. Älä koskaan yritä vaihtaa laturia normaaliin verkkovirtapistokkeeseen.

- ◆ Jos sähköjohto on vaurioitunut, se saadaan vaihtaa vain valtuutetussa Black & Deckerin huoltoliikkeessä vaaratilanteiden välttämiseksi.

Ominaisuudet

Tällä koneella on kaikki tai joitakin seuraavista ominaisuuksista.

1. Nopeudensäätönappi tai kaksinopeuksinen vierreunkatkaisija (on/off)
2. Suunnanvaihtokytkin
3. Porausasennon valitsin / vääntömomentin säädin
4. Istukka
5. Akku
6. Akun vapautusnappi

Kuvat D & E

7. Laturi
8. Latausteline
9. Laturin liitin
10. Laturin kontakti

Kokoaminen

Varoitus! Poista akku koneesta aina ennen kokoamista.

Akun kiinnittäminen ja poistaminen (kuva A)

- ◆ Kiinnitä akku (5) asettamalla se koneen liitännän kanssa samaan linjaan. Liu'uta akku liittäen, kunnes se lukittuu paikalleen.
- ◆ Poista akku painamalla kahta vapautusnappia (6) samanaikaisesti, kun vedät akun pois.

Poranterien ja ruuvitaltojen kiinnitys ja poisto (kuva B)

Varoitus! Poista ensin akku koneesta.

Koneessa on pikaistukka, jonka avulla terien vaihtaminen on helppoa.

- ◆ Lukitse työkalu laittamalla suunnanvaihtokytkin (2) keskiasentoon.
- ◆ Avaa istukka kiertämällä etuosaa (11) toisella kädellä samalla, kun pidät takaosasta (12) kiinni toisella kädellä (kuva B).
- ◆ Laita terävarsi (17) istukkaan.
- ◆ Kiristä istukka tiukalle kiertämällä etuosaa (11) toisella kädellä samalla kun pidät takaosasta (12) kiinni toisella kädellä.

Istukan poisto ja kiinnittäminen (kuva C)

- ◆ Avaa istukkaa niin paljon kuin mahdollista.
- ◆ Poista istukan kiristysruuvi kiertämällä sitä myötäpäivään ruuvimeisselillä.
- ◆ Kiristä kuusiokoloavain (14) istukkaan ja lyö sitä kevyesti vasaralla kuvan osoittamalla tavalla.
- ◆ Poista kuusiokoloavain.
- ◆ Poista istukka kiertämällä sitä vastapäivään.
- ◆ Kiinnittäaksesi istukan uudelleen ruuvaa se karaan ja lukitse kiristysruuvilla.

Käyttö

Varoitus! Anna koneen käydä omaan tahtiinsa.

Älä ylikuormita sitä.

Akun lataaminen

Akku tulee ladata ennen ensimmäistä käyttökertaa ja aina silloin, kun se ei enää tuota riittävästi virtaa toimintoihin, jotka aikaisemmin hoituivat helposti. Ladatessasi akkua ensimmäistä kertaa tai pitkäaikaisen säilytyksen jälkeen, latautuu se vain 80 %:sesti. Usean lataamis- ja tyhjentyiskerran jälkeen akku saavuttaa täyden kapasiteettinsa. Akku voi lämmetä ladattaessa; tämä on normaalia eikä ole merkinä minkäänlaisesta ongelmasta.

Varoitus! Älä lataa akkua alle +4 °C tai yli +40 °C asteen lämpötiloissa. Suositeltu lämpötila lataamiseen on noin +24 °C.

Laturi lataustelineellä (kuva D)

- ◆ Akun (5) lataamiseksi poista se koneesta ja aseta se lataustelineeseen (8). Akku sopii lataustelineeseen vain yhdessä asennossa. Älä laita sitä laturiin väkisin. Varmista, että akku on kunnolla lataustelineessä.
- ◆ Kytke laturi virtalähteeseen.

Normaalin käytön jälkeen 3 tunnin latausaika antaa riittävän tehon useimpia käyttökohteita varten. Jos latausta jatketaan 6 tuntiin asti, käyttöaika voi kasvaa huomattavasti akun ja latausolosuhteiden mukaan.

- ◆ Poista akku laturista.

Laturi ilman lataustelinettä (kuva E)

- ◆ Varmista, että akku on porakoneessa, kun alat lataamaan.
- ◆ Liitä laturin pistoke (10) liittimeen (9).
- ◆ Kytke laturi virtalähteeseen.

Normaalin käytön jälkeen 3 tunnin latausaika antaa riittävän tehon useimpia käyttökohteita varten. Jos latausta jatketaan 6 tuntiin asti, käyttöaika voi kasvaa huomattavasti akun ja latausolosuhteiden mukaan.

- ◆ Irrota työkalu laturista.

Varoitus! Älä käytä konetta, kun se on liitettyä laturiin.

Suunnanvaihto

Käytä eteenpäin (myötäpäivään) suuntautuvaa pyörimisliikettä poraamiseen ja ruuvien kiristämiseen. Käytä taaksepäin (vastapäivään) suuntautuvaa pyörimisliikettä ruuvien tai jumiutuneen poran terän irrottamiseen.

- ◆ Valitaksesi pyörimissuunnan eteenpäin siirrä suunnanvaihtokytkintä (2) vasemmalle.
- ◆ Kun haluat vaihtaa pyörimissuunnan taaksepäin, siirrä suunnanvaihtokytkintä oikealle.
- ◆ Lukitse kone asettamalla suunnanvaihtokytkin keskiasentoon.

Porausasennon ja vääntömomentin valitseminen (kuva F)

Koneessa on säädin, jolla valitaan porausasento tai vääntömomentti ruuvien kiristämistä varten. Isot ruuvit ja kovat materiaalit vaativat suuremman momentin kuin pienet ruuvit ja pehmeät materiaalit. Säätimessä on monia valintamahdollisuuksia eri käyttötarkoituksia varten.

- ◆ Jos aiot porata puuta, metallia tai muoveja, aseta säädin (3) porausasentoon siirtämällä merkki 1 kohdakkain nuolen (15) kanssa.
- ◆ Ruuvaamista varten aseta säädin haluttuun momenttiin. Jos et tiedä vielä oikeaa momenttiasetusta, toimi seuraavalla tavalla:
 - Aseta säädin (3) pienimmälle momentille.
 - Kiristä ensimmäinen ruuvi.
 - Jos momentti ei riitä ruuvien ruuvaukseen, lisää momenttia ja jatka ruuvien kiristämistä. Toista toimenpide, kunnes löydät oikean momentin. Käytä samaa momenttia jäljellä olevien ruuvien kiristämiseen.

Käynnistys ja pysäytys

Virrankatkaisija portaattomalla nopeudensäädöllä

- ◆ Käynnistä kone painamalla virrankatkaisijaa (1). Koneen nopeus riippuu siitä, kuinka paljon virrankatkaisijaa painetaan.
- ◆ Sammuta kone päästämällä irti virrankatkaisijasta.

Kaksinopeuksinen virrankatkaisija (on/off)

- ◆ Käynnistä kone painamalla virrankatkaisijaa (1). Työkalu toimii pienellä nopeudella, kun kytkintä painetaan vain hieman. Kun kytkintä painetaan lisää, työkalu toimii suuremmalla nopeudella.
- ◆ Sammuta kone päästämällä irti virrankatkaisijasta.

Vinkkejä parhaimman tuloksen saamiseksi

Poraus

- ◆ Paina terää kevyesti suoraan työstökappaletta kohti.
- ◆ Vähennä koneen painamista juuri ennen kuin terän kärki tulee ulos työstökappaleen toiselta puolelta.
- ◆ Käytä puunpalaa työstökappaleen alla halkeilun estämiseksi.
- ◆ Käytä litteää puuporanterää poratessasi suuria reikiä puuhun.
- ◆ Käytä HSS-teriä (pikaterästeriä) poratessasi metallia.
- ◆ Käytä betoniteriä poratessasi betonia.
- ◆ Käytä voiteluainetta poratessasi muita metalleja kuin valurautaa tai messinkiä.
- ◆ Tee pistepuikolla aloitusreikä porattavan reiän keskikohtaan, niin porauksen tarkkuus paranee.

Ruuvaus

- ◆ Käytä aina oikean mallista ja -kokoista ruuvinväänintä.
- ◆ Jos ruuvi on hankala kiristää, voidaan voiteluaineena käyttää hiukan nestemäistä pesuainetta tai saippuaa.
- ◆ Pidä konetta ja ruuvinväänintä aina kohtisuorassa ruuviin nähden.

Huolto

Black & Deckerin kone on suunniteltu toimimaan mahdollisimman pitkän aikaa mahdollisimman vähällä huollolla. Oikealla huollolla ja säännöllisellä puhdistuksella kone säilyttää suorituskykynsä.

Laturi ei tarvitse säännöllisen puhdistamisen lisäksi minkään muunlaista huoltoa.

Varoitus! Poista akku ennen työkalun huoltamista. Irrota laturi virtalähteestä ennen puhdistamista.

- ◆ Puhdista koneen ja laturin ilma-aukot säännöllisesti pehmeällä harjalla tai kuivalla siivousliinalla.
- ◆ Puhdista työkalun kuori säännöllisesti kostealla siivousliinalla. Älä koskaan käytä puhdistamiseen liuotainaineita tai syövyttäviä puhdistusaineita.
- ◆ Avaa istukka säännöllisin väliajoin ja kopauta sitä pölyjen poistamiseksi sisältä.

Ympäristö



Erillinen keräys. Tätä tuotetta ei saa hävittää normaalin kotitalousjätteen kanssa.

Kun Black & Decker -koneesi on käytetty loppuun, älä hävitä sitä kotitalousjätteen mukana. Tämä tuote on kerätävä erikseen.



Käytettyjen tuotteiden ja pakkausten erillinen keräys mahdollistaa materiaalien kierrätyksen ja uudelleenkäytön. Kierrätettyjen materiaalien uudelleenkäyttö auttaa ehkäisemään ympäristön saastumisen ja vähentää raaka-aineiden kysyntää.

Paikallisten säännösten mukaisesti on mahdollista viedä kotitalouksien sähkölaitteet kuntien kaatopaikoille tai jättää ne vähittäismyyjälle ostettaessa uusi tuote.

Black & Decker tarjoaa mahdollisuuden Black & Decker -tuotteiden keräykseen ja kierrätykseen sen jälkeen, kun ne on poistettu käytöstä. Jotta voit hyötyä tästä palvelusta, palauta laitteesi johonkin valtuutettuun huoltoiliikkeeseen, joka kerää laitteet meidän puolestamme.

Voit tarkistaa lähimmän valtuutetun huoltoiliikkeen sijainnin ottamalla yhteyden Black & Deckerin toimistoon, joka sijaitsee tässä käsikirjassa annetussa osoitteessa. Lista valtuutetuista Black & Decker -huoltoilikeistä sekä yksityiskohtaiset tiedot korjauspalvelustamme ovat vaihtoehtoisesti saatavilla Internetissä, osoitteessa www.2helpU.com

Akut



Black & Deckerin akut voidaan ladata useaan kertaan. Vie loppuunkäytetyt akut niille tarkoitettuun keräyspaikkaan tai -astiaan:

- ◆ Käytä akku täysin loppuun ja poista se sitten työkalusta.
- ◆ NiCd-, NiMH-, Li-Ion-akut ovat kierrätettäviä. Voit viedä ne mihin tahansa valtuutettuun huoltoiliikkeeseen tai paikalliseen kierrätyskeskukseen. Kerätyt akut toimitetaan kierrätykseen tai käsitellään asianmukaisesti.

Tekniset tiedot

		CD12	CD112	CD96
Jännite	V _{DC}	12	12	9,6
Kuormittamaton nopeus	min ⁻¹	700	700	700
Suurin mahdollinen vääntömomentti	Nm	8	8	7,5
Istukan kapasiteetti	mm	10	10	10
Max. porausteho				
Teräs	mm	10	10	10
Puu	mm	25	25	25
Paino	kg	0,9	0,9	0,7

		CD14	CD18
Jännite	V_{DC}	14,4	18
Kuormittamaton nopeus	min^{-1}	750	850
Suurin mahdollinen vääntömomentti	Nm	12,5	13
Istukan kapasiteetti	mm	10	10
Max. porausteho			
Teräs	mm	10	10
Puu	mm	25	25
Paino	kg	1,01	1,03

		KC12GT	KC14GT
Jännite	V_{DC}	12	14,4
Kuormittamaton nopeus	min^{-1}	700	750
Suurin mahdollinen vääntömomentti	Nm	8	12,5
Istukan kapasiteetti	mm	10	10
Max. porausteho			
Teräs	mm	10	10
Puu	mm	25	25
Paino	kg	0,9	1,01

Akku		A9251	A9252	A9262
Jännite	V_{DC}	9,6	12	14,4
Teho	Ah	1,3	1,0	1,2
Paino	kg	0,365	0,5	0,7

Akku		A9272	A9282
Jännite	V_{DC}	9,6	18
Teho	Ah	1,5	1,2
Paino	kg	0,465	0,73

Laturi		
Jännite	V_{AC}	220-240
Latausaika (noin)	h	3

EU:n yhdenmukaisuusilmoitus

CD12/CD112/CD96/CD14/CD18/KC12GT/KC14GT
 Black & Decker vakuuttaa näiden tuotteiden olevan seuraavien standardien vaatimusten mukaisia:
 98/37/EY, EN 60745

Äänenpainetaso mitattu EN 60745:n mukaisesti:
 Äänenpaine (L_{pA}) 68 dB(A), epävarmuus (K) 3 dB(A)
 Akustinen teho (L_{WA}) 79 dB(A), epävarmuus (K) 3 dB(A)

Tärinän kokonaisarvot (kolmiaks. vektorisumma) EN 60745:n mukaisesti:
 Poraus metalliin ($a_{h,D}$) < 2,5 m/s^2 , epävarmuus (K) 1,5 m/s^2
 Ruuvitaltaus ilman iskua ($a_{h,S}$) < 2,5 m/s^2 ,
 epävarmuus (K) 1,5 m/s^2



Kevin Hewitt
 Director of Consumer Engineering
 Spennymoor, County Durham DL16 6JG,
 Iso-Britannia
 1-8-2007

Korjaukset / varaosat

Mikäli koneeseen tulee vikaa, jätä se aina Black & Deckerin valtuuttamaan huoltoliikkeeseen korjattavaksi. Varaosia myyvät valtuutetut Black & Deckerin huoltoliikkeet, ja heiltä voi myös pyytää kustannusarvion koneen korjauksesta.

Tiedot valtuutetuista huoltoliikkeistä löytyvät internetistä osoitteesta www.2helpU.com sekä kotisivuiltamme www.blackanddecker.fi

Takuu

Black & Decker Oy takaa, ettei koneessa ollut materiaali- ja/tai valmistusvikaa silloin, kun se toimitettiin ostajalle. Takuu on lisäyksenä kuluttajan laillisiin oikeuksiin eikä vaikuta niihin. Takuu on voimassa Euroopan Unionin jäsenmaissa ja Euroopan vapaakauppa-alueella (EFTA).

Mikäli Black & Decker -kone hajoaa materiaali- ja/tai valmistusvirheen tai teknisten tietojen epätarkkuuden vuoksi 24 kk:n kuluessa ostopäivästä, Black & Decker korjaa koneen ilman kustannuksia ostajalle tai vaihtaa sen uuteen Black & Decker Oy:n valinnan mukaan.

Takuu ei kata vikoja, jotka johtuvat koneen

- ◆ normaalista kulumisesta
- ◆ ylikuormituksesta, virheellisestä käytöstä tai hoidosta
- ◆ vahingoittamisesta vieraalla esineellä tai aineella tai onnettomuustapauksessa.

Takuu ei ole voimassa, mikäli konetta on korjannut joku muu kuin Black & Deckerin valtuuttama huoltoliike.

Edellytyksenä takuun saamiselle on, että ostaja jättää koneen ja ostokuitin jälleenmyyjälle tai valtuutetulle huoltoliikkeelle viimeistään 2 kuukauden kuluessa vian ilmenemisestä. Tiedot valtuutetuista huoltoliikkeistä saa ottamalla yhteyttä Black & Decker Oy:hyn sekä internetistä osoitteesta www.2helpU.com, jossa on myös takuehdot.

Voit vieraila verkkosivullamme www.blackanddecker.fi rekisteröidäksesi uuden Black & Decker-tuotteesi ja saadaksesi tietoa uusista tuotteista ja erikoistarjouksista. Saat lisätietoja Black & Deckerin tavaramerkistä ja tuotevalikoimastamme osoitteesta www.blackanddecker.fi

Ενδεδειγμένη χρήση

Το δραπενοκαταβίδο Black & Decker έχει σχεδιαστεί για εφαρμογές βιδώματος και για διάτρηση σε ξύλο, μέταλλο και πλαστικά. Αυτό το εργαλείο προορίζεται μόνο για ερασιτεχνική χρήση.

Οδηγίες ασφαλείας

Γενικές προειδοποιήσεις ασφαλείας για ηλεκτρικά εργαλεία



Προσοχή! Διαβάστε όλες τις προειδοποιήσεις ασφαλείας και όλες τις οδηγίες. Η μη τήρηση των παρακάτω προειδοποιήσεων και οδηγιών μπορεί να προκαλέσει ηλεκτροπληξία, πυρκαγιά ή/και σοβαρούς τραυματισμούς.

Αποθηκεύστε όλες τις προειδοποιήσεις και οδηγίες για μελλοντική αναφορά. Ο χαρακτηρισμός "ηλεκτρικό εργαλείο" που χρησιμοποιείται στις παρακάτω προειδοποιητικές υποδείξεις αφορά ή το εργαλείο που συνδέεται στην πρίζα (με καλώδιο) ή το εργαλείο που λειτουργεί με μπαταρία (χωρίς καλώδιο).

1. Ασφάλεια χώρου εργασίας

- Διατηρείτε το χώρο που εργάζεστε καθαρό και καλά φωτισμένο.** Η αταξία στο χώρο που εργάζεστε και τα σημεία χωρίς καλό φωτισμό μπορεί να οδηγήσουν σε ατυχήματα.
- Μη χρησιμοποιείτε τα ηλεκτρικά εργαλεία σε περιβάλλον όπου υπάρχει κίνδυνος έκρηξης, π.χ. παρουσία εύφλεκτων υγρών, αερίων ή σκόνης.** Τα ηλεκτρικά εργαλεία μπορεί να δημιουργήσουν σπινθηρισμό ο οποίος μπορεί να αναφλέξει τη σκόνη ή τις αναθυμιάσεις.
- Όταν χρησιμοποιείτε το ηλεκτρικό εργαλείο, κρατάτε τα παιδιά και τα υπόλοιπα άτομα μακριά από το χώρο που εργάζεστε.** Σε περίπτωση που άλλα άτομα αποσπάσουν την προσοχή σας μπορεί να χάσετε τον έλεγχο του μηχανήματος.

2. Ασφαλής χρήση του ηλεκτρικού ρεύματος

- Το φως του καλωδίου του ηλεκτρικού εργαλείου πρέπει να ταιριάζει στην αντίστοιχη πρίζα.** Δεν επιτρέπεται με κανένα τρόπο η μετασκευή του φως. Μη χρησιμοποιείτε προσαρμοστικά φως στα γειωμένα ηλεκτρικά εργαλεία. Τα φως που δεν έχουν υποστεί τροποποιήσεις και οι κατάλληλες πρίζες μειώνουν τον κίνδυνο ηλεκτροπληξίας.

- Αποφεύγετε την επαφή του σώματός σας με γειωμένες επιφάνειες όπως σωλήνες, θερμαντικά σώματα (καλοριφέρ), κουζίνες και ψυγεία.** Όταν το σώμα σας είναι γειωμένο, αυξάνεται ο κίνδυνος ηλεκτροπληξίας.
- Μην εκθέτετε το ηλεκτρικό εργαλείο στη βροχή ή την υγρασία.** Η διείσδυση νερού στο ηλεκτρικό εργαλείο αυξάνει τον κίνδυνο ηλεκτροπληξίας.
- Μην κακομεταχειρίζεστε το καλώδιο.** Μη χρησιμοποιήσετε ποτέ το καλώδιο για να μεταφέρετε, να τραβήξετε ή να αποσυνδέσετε το εργαλείο από την πρίζα. Κρατάτε το καλώδιο μακριά από υψηλές θερμοκρασίες, λάδια, κοφτερές ακμές ή κινούμενα εξαρτήματα. Τυχόν χαλασμένα ή μπερδεμένα καλώδια αυξάνουν τον κίνδυνο ηλεκτροπληξίας.
- Όταν χρησιμοποιείτε το ηλεκτρικό εργαλείο σε εξωτερικούς χώρους, να χρησιμοποιείτε πάντοτε προεκτάσεις (μπαλαντέζες) που έχουν εγκριθεί για χρήση σε εξωτερικούς χώρους.** Η χρήση προεκτάσεων εγκεκριμένων για εργασία σε εξωτερικούς χώρους μειώνει τον κίνδυνο ηλεκτροπληξίας.
- Αν η χρήση του εργαλείου σε μια βρεγμένη περιοχή δεν είναι απόφευκτη, χρησιμοποιήστε μια συσκευή κατάλοιπου ρεύματος (RCD) προστατευόμενης παροχής.** Η χρήση μιας RCD μειώνει τον κίνδυνο ηλεκτροπληξίας.

3. Ασφάλεια προσώπων

- Όταν χρησιμοποιείτε το ηλεκτρικό εργαλείο, να είστε προσεκτικοί, να δίνετε προσοχή στην εργασία που κάνετε και να επιστρατεύετε την κοινή λογική.** Μη χρησιμοποιείτε το ηλεκτρικό εργαλείο όταν είστε κουρασμένοι ή όταν βρίσκεστε υπό την επήρεια ναρκωτικών, οινοπνεύματος ή φαρμάκων. Μια στιγμή απροσεξία κατά το χειρισμό του ηλεκτρικού εργαλείου μπορεί να οδηγήσει σε σοβαρούς τραυματισμούς.
- Χρησιμοποιήστε προσωπικό εξοπλισμό τραυματισμού. Να φοράτε πάντα προστατευτικά γυαλιά.** Ο προστατευτικός εξοπλισμός όπως μάσκα σκόνης, υποδήματα ασφαλείας κατά το γλιστρήμα, σκληρό καπέλο, ή προστασία ακοής για τις κατάλληλες συνθήκες θα μειώσουν τους σωματικούς τραυματισμούς.
- Να αποφύγετε την εκκίνηση κατά λάθος.** Επιβεβαιωθείτε ότι ο διακόπτης είναι στην θέση off πριν συνδέσετε την παροχή ρεύματος και/ή τη μπαταρία, πριν πιάσετε ή μεταφέρετε το εργαλείο. Η μεταφορά εργαλείων με το δάχτυλο στον διακόπτη ή η ενεργοποίηση εργαλείων με τον διακόπτη στη θέση on μπορεί να οδηγήσει σε ατυχήματα.

d. **Πριν θέσετε το ηλεκτρικό εργαλείο σε λειτουργία, αφαιρέστε τυχόν εργαλεία ή κλειδιά ρύθμισης.** Ενα εργαλείο ή κλειδί συναρμολογημένο στο περιστρεφόμενο εξάρτημα ενός ηλεκτρικού εργαλείου μπορεί να προκαλέσει τραυματισμούς.

e. **Μην τεντώνετε. Φροντίστε πάντοτε να έχετε την κατάλληλη στάση και να διατηρείτε την ισορροπία σας.** Αυτό σας επιτρέπει τον καλύτερο έλεγχο του ηλεκτρικού εργαλείου σε περιπτώσεις απροσδόκτων καταστάσεων.

f. **Φοράτε κατάλληλη ενδυμασία εργασίας. Μη φοράτε φαρδιά ρούχα ή κοσμήματα. Κρατάτε τα μαλλιά, τα ενδύματα και τα γάντια σας μακριά από τα κινούμενα εξαρτήματα.** Τα φαρδιά ρούχα, τα κοσμήματα και τα μακριά μαλλιά μπορεί να εμπλακούν στα κινούμενα εξαρτήματα.

g. **Αν προβλέπονται διατάξεις απαγωγής και συλλογής της σκόνης, βεβαιωθείτε ότι είναι συνδεδεμένες και ότι χρησιμοποιούνται σωστά.** Η χρήση της συλλογής της σκόνης μπορεί να μειώσει τους κινδύνους σχετικά με τη σκόνη.

4. Χρήση και συντήρηση του ηλεκτρικού εργαλείου

a. **Μην υπερφορτώνετε το ηλεκτρικό εργαλείο.**

Χρησιμοποιείτε για την εκάστοτε εργασία σας το ηλεκτρικό εργαλείο που προορίζεται γι' αυτήν. Με το κατάλληλο ηλεκτρικό εργαλείο εργάζεσθε καλύτερα και ασφαλέστερα στην ονομαστική περιοχή ισχύος του.

b. **Μη χρησιμοποιήσετε ποτέ ένα ηλεκτρικό εργαλείο του οποίου ο διακόπτης λειτουργίας είναι χαλασμένος.**

Ενα ηλεκτρικό εργαλείο του οποίου η λειτουργία δεν μπορεί να ελεγχθεί με το διακόπτη είναι επικίνδυνο και πρέπει να επισκευαστεί.

c. **Αποσυνδέστε το βύσμα από τη πυγή ρεύματος και/ή το συγκρότημα μπαταρίας πριν κάνετε κάποια ρύθμιση, αλλάζετε τα αξεσουάρ, ή αποθηκεύετε τα ηλεκτρικά εργαλεία.** Αυτά τα προληπτικά μέτρα ασφαλείας μειώνουν τον κίνδυνο να τεθεί το μηχάνημα αθέλητα σε λειτουργία.

d. **Να φυλάτε τα ηλεκτρικά εργαλεία που δεν χρησιμοποιείτε μακριά από παιδιά. Μη αφήνετε άτομα που δεν είναι εξοικειωμένα με το ηλεκτρικό εργαλείο ή που δεν έχουν διαβάσει αυτές τις οδηγίες χρήσης να το χρησιμοποιήσουν.** Τα ηλεκτρικά εργαλεία είναι επικίνδυνα όταν χρησιμοποιούνται από άπειρα άτομα.

e. **Να συντηρείτε τα ηλεκτρικά εργαλεία. Ελέγξτε εάν τα κινούμενα μέρη είναι σωστά ευθυγραμμισμένα ή αν έχουν μπλοκάρει, εάν έχουν σπάσει κομμάτια και εάν πληρούνται όλες οι υπόλοιπες συνθήκες που ενδεχομένως να επηρεάσουν τη σωστή λειτουργία του εργαλείου. Δώστε τυχόν χαλασμένα εξαρτήματα του ηλεκτρικού εργαλείου για επισκευή πριν το χρησιμοποιήσετε πάλι.**

Η ανεπαρκής συντήρηση των ηλεκτρικών εργαλείων αποτελεί αιτία πολλών ατυχημάτων.

f. **Διατηρείτε τα κοπτικά εργαλεία κοφτερά και καθαρά.**

Τα κοπτικά εργαλεία με αιχμηρά κοπτικά άκρα που συντηρούνται σωστά έχουν λιγότερες πιθανότητες να μπλοκάρουν και ελέγχονται ευκολότερα.

g. **Να χρησιμοποιείτε το ηλεκτρικό εργαλείο, τα εξαρτήματα και τις μύτες κλπ σύμφωνα με αυτές τις οδηγίες, λαμβάνοντας υπόψη τις καταστάσεις εργασίας και την εργασία προς εκτέλεση.** Η χρήση του ηλεκτρικού εργαλείου για άλλες εκτός από τις προβλεπόμενες εργασίες μπορεί να δημιουργήσει επικίνδυνες καταστάσεις.

5. Χρήση και συντήρηση του εργαλείου μπαταρίας

a. **Να επαναφορτίσετε τις μπαταρίες μόνο με το φορτιστή που προβλέπει ο κατασκευαστής.** Ενας φορτιστής που είναι κατάλληλος για έναν τύπο μπαταρίας μπορεί να προκαλέσει πυρκαγιά όταν χρησιμοποιηθεί για τη φόρτιση κάποιου άλλου τύπου μπαταρίας.

b. **Να χρησιμοποιείτε τα ηλεκτρικά εργαλεία μόνο με τις προβλεπόμενες γι' αυτά μπαταρίες.** Η χρήση μπαταριών διαφορετικού τύπου μπορεί να οδηγήσει σε τραυματισμούς ή πυρκαγιά.

c. **Να φυλάτε τις μπαταρίες που δεν χρησιμοποιείτε μακριά από μεταλλικά αντικείμενα, όπως συνδετήρες χαρτί, νομίσματα, κλειδιά, καρφιά, βίδες κι άλλα παρόμοια μικροαντικείμενα, τα οποία θα μπορούσαν να γεφυρώσουν τους δυο πόλους.** Τυχόν βραχυκύκλωση των πόλων της μπαταρίας μπορεί να προκαλέσει εγκαύματα ή πυρκαγιά.

d. **Υπό δυσμενείς συνθήκες λειτουργίας μπορεί να διαρρέουσιν υγρά από τη μπαταρία. Αποφεύγετε κάθε επαφή με μια μη στεγανή μπαταρία. Σε περίπτωση ακούσιας επαφής με τα υγρά, ξεπλύνετε αμέσως με νερό. Εκτός από αυτό, αν τα υγρά διεισδύσουν στα μάτια σας, επισκεφτείτε χωρίς καθυστέρηση ένα γιατρό.** Τα διαρρέοντα υγρά των μπαταριών μπορεί να προκαλέσουν ερεθισμούς ή και εγκαύματα.

6. Σέρβις

a. **Το σέρβις του ηλεκτρικού σας εργαλείου πρέπει να αναλαμβάνει έμπειρος τεχνικός που θα χρησιμοποιεί μόνο γνήσια ανταλλακτικά.** Ετσι εξασφαλίζεται η διατήρηση της ασφαλείας του ηλεκτρικού εργαλείου.

Συμπληρωματικές προειδοποιήσεις ασφαλείας για ηλεκτρικά εργαλεία



Προσοχή! Συμπληρωματικές προειδοποιήσεις ασφαλείας για τριπάνι και κρουστικό τρυπάνι

- ◆ **Να φοράτε ωτασπίδες για τα αυτιά με κρουστικά τρυπάνια.** Η έκθεση σε θόρυβο μπορεί να προκαλέσει απώλεια ακοής.
- ◆ **Χρησιμοποιείτε βοηθητικές λαβές που παρέχονται με το εργαλείο.** Η απώλεια ελέγχου μπορεί να προκαλέσει σωματικές βλάβες.
- ◆ **Πιάνετε το μηχάνημα μόνο από τις μονωμένες επιφάνειές του όταν κατά την εργασία σας υπάρχει κίνδυνος το αξεσουάρ κοπής να "χτυπήσει" ηλεκτρικές γραμμές ή το ηλεκτρικό καλώδιο του ίδιου του μηχανήματος.** Το αξεσουάρ κοπής σε επαφή με μια υπό τάση ευρισκόμενη ηλεκτρική γραμμή μπορεί να θέτουν επίσης και τα μεταλλικά τμήματα του μηχανήματος υπό τάση κι έτσι μπορεί να οδηγήσει σε ηλεκτροπληξία.
- ◆ **Χρησιμοποιήστε σφινκτήρες ή κάποιο άλλο πρακτικό μέσο για να ασφαλίστε και στριζίτε το τεμάχιο εργασίας σε μια σταθερή επιφάνεια.** Το κράτημα με το χέρι ή με το σώμα σας το κάνει ασταθές και μπορεί να οδηγήσει στο χάσιμο ελέγχου.
- ◆ Πριν από τη διάτρηση τοίχων, δαπέδων ή οροφών, εντοπίστε τις θέσεις όπου βρίσκονται καλώδια και σωληνώσεις.
- ◆ Αποφύγετε να αγγίξετε τη μύτη ενός τρυπανιού αμέσως μετά τη διάτρηση, καθώς ενδέχεται να είναι πολύ ζεστή.
- ◆ Αυτό το εργαλείο δεν προσδιορίζεται για χρήση από άτομα (συμπεριλαμβανόντας και τα παιδιά) με ελαττωμένες φυσικές, αισθητήριες και ψυχικές δυνατότητες, ή έλλειψη εμπειρίας και γνώσης, εκτός αν υπάρχει επιτήρηση ή οδηγίες για τη χρήση της συσκευής από έναν υπεύθυνο άτομο για την ασφάλεια τους. Τα παιδιά πρέπει να επιτηρηθούν για να βεβαιωθείτε ότι δεν παίζουν με το εργαλείο.
- ◆ Η ενδεχόμενη χρησιμοποίηση αναφέρεται σε αυτές τις οδηγίες χρήσεως. Τόσο η χρήση εξαρτημάτων ή προσθηκών όσο και η πραγματοποίηση εργασιών που δεν συνιστώνται στις οδηγίες αυτές εγκυμονεί κίνδυνο τραυματισμού και/ή περιουσίας.

Επιπρόσθετες οδηγίες ασφαλείας για μπαταρίες και φορτιστές

Μπαταρίες

- ◆ Μην επιχειρήσετε ποτέ να την ανοίξετε, για κανένα λόγο.
- ◆ Μην εκθέτετε την μπαταρία σε νερό.
- ◆ Μην εκθέτετε την μπαταρία σε θερμότητα.
- ◆ Μην την αποθηκεύετε σε χώρους όπου η θερμοκρασία μπορεί να υπερβεί τους 40 °C.
- ◆ Να τη φορτίζετε μόνο σε θερμοκρασία περιβάλλοντος μεταξύ 10 °C και 40 °C.
- ◆ Η φόρτιση πρέπει να γίνεται μόνο με το φορτιστή που παρέχεται με το εργαλείο.

- ◆ Σε ό,τι αφορά την απόρριψη των μπαταριών, ακολουθήστε τις οδηγίες που παρατίθενται στην ενότητα «Προστασία του Περιβάλλοντος».
- ◆ Σε περίπτωση έκθεσης σε ακραίες συνθήκες, η μπαταρία ενδέχεται να παρουσιάσει διαρροή. Αν παρατηρήσετε υγρά στην μπαταρία, ενεργήστε ως ακολούθως:
 - Σκουπίστε προσεκτικά τα υγρά με ένα πανί. Αποφύγετε την επαφή με το δέρμα.
 - Σε περίπτωση επαφής με το δέρμα ή τα μάτια, ακολουθήστε τις παρακάτω οδηγίες.

Προειδοποίηση! Το υγρό μπαταριών, ένα διάλυμα 25-30% υδροξειδίου του καλίου, μπορεί να είναι βλαβερό. Σε περίπτωση δερματικής επαφής, ξεπλύνετε αμέσως με νερό. Εξουδετερώστε με ήπιο οξύ όπως χυμός λεμονιού ή ξίδι. Σε περίπτωση επαφής με τα μάτια, ξεπλύνετε με άφθονο καθαρό νερό για τουλάχιστον 10 λεπτά. Συμβουλευτείτε γιατρό.



Κίνδυνος πυρκαγιάς! Αποφύγετε βραχυκύκλωμα με μέταλλο των επαφών της μπαταρίας (π.χ. κλειδιά που είναι στην ίδια στέψη με την μπαταρία).



Μην καίτε την μπαταρία.



Μην φορτίζετε κατεστραμμένες μπαταρίες.

Φορτιστές

- ◆ Χρησιμοποιήστε μόνο το φορτιστή της Black & Decker για τη φόρτιση μπαταριών του τύπου που συνοδεύει το εργαλείο σας. Σε άλλες μπαταρίες ενδέχεται να σημειωθεί διάρρηξη, προκαλώντας τραυματισμό και ζημιά.
- ◆ Μην επιχειρήσετε ποτέ να επαναφορτίσετε μη επαναφορτιζόμενες μπαταρίες.
- ◆ Αντικαταστήστε αμέσως τα ελαττωματικά καλώδια.
- ◆ Μην εκθέτετε το φορτιστή σε νερό.
- ◆ Μην ανοίγετε το φορτιστή.
- ◆ Μην επιχειρήσετε να διερευνήσετε το εσωτερικό του φορτιστή.



Ο φορτιστής προορίζεται μόνο για χρήση σε εσωτερικού χώρους.

Δόνηση

Οι δηλωμένες τιμές εκπομπής δόνησης στον τομέα τεχνικών χαρακτηριστικών και στη δήλωση συμμόρφωσης έχουν μετρηθεί σύμφωνα με μια πρότυπη μέθοδο δοκιμής παρεχόμενη από το EN 60745 και μπορεί να χρησιμοποιηθεί για την σύγκριση ενός εργαλείου με ένα άλλο. Η δηλωμένη τιμή εκπομπής δόνησης μπορεί να χρησιμοποιηθεί επίσης σε μια προκαταρκτική εκτίμηση έκθεσης.

Προσοχή! Η τιμή εκπομπής δόνησης κατά τη παρόν χρήση του ηλεκτρικού εργαλείου μπορεί να διαφέρει από τη δηλωμένη τιμή αναλόγως με τον τρόπο που χρησιμοποιείται το εργαλείο. Το επίπεδο δόνησης μπορεί να αυξηθεί πάνω από το δηλωμένο επίπεδο.

Κατά την εκκίνηση έκθεσης στη δόνηση για να αποφασιστούν τα μέτρα ασφαλείας που απαιτούνται από το 2002/44/ΕΚ για την προστασία ατόμων που χρησιμοποιούν τακτικά το εργαλείο, πρέπει να ληφθεί υπόψη μια εκτίμηση έκθεσης δόνησης, οι παρόν καταστάσεις χρήσης και ο τρόπος χρήσης εργαλείου, συμπεριλαμβανοντας όλα τα μερί του κύκλου εργασίας όπως πόσες φορές σβήνεται το εργαλείο και όταν δουλεύει χωρίς φορτίο πρόσθετα πόσες φορές πατιέται η σκανδάλη.

Ετικέτες επάνω στο εργαλείο

Πάνω στο εργαλείο υπάρχουν οι εξής σχηματικές απεικονίσεις:



Προσοχή! Για να μειώσετε τον κίνδυνο τραυματισμού, ο χρήστης πρέπει να διαβάσει το εγχειρίδιο οδηγιών.

Ασφαλής χρήση του ηλεκτρικού ρεύματος



Ο φορτιστής σας φέρει διπλή μόνωση, επομένως δεν απαιτείται σύρμα γείωσης. Ελέγχετε πάντα αν η τάση τροφοδοσίας αντιστοιχεί σε αυτήν που αναγράφεται στην πινακίδα χαρακτηριστικών. Ποτέ μην επιχειρήσετε να υποκαταστήσετε το φορτιστή με κοινή πρίζα ρεύματος.

- ◆ Αν το καλώδιο ρεύματος έχει υποστεί βλάβη, πρέπει να αντικατασταθεί από τον κατασκευαστή ή από εξουσιοδοτημένο Κέντρο Επισκευών Black & Decker ώστε να αποφυγείτε τους κινδύνους.

Χαρακτηριστικά

Το εργαλείο διαθέτει όλα ή ορισμένα από τα εξής χαρακτηριστικά.

1. Διακόπτη μεταβλητής ταχύτητας ή διακόπτη on/off δύο ταχυτήτων
2. Συρόμενος διακόπτης εμπρός/πίσω
3. Διακόπτη επιλογής λειτουργίας / κολάρο ρύθμισης ροτής
4. Τσοκ
5. Μπαταρία
6. Κουμπί απελευθέρωσης μπαταρίας

Εικ. D & E

7. Φορτιστής
8. Βάση φόρτισης
9. Υποδοχή για φορτιστή
10. Βύσμα φορτιστή

Συναρμολογήση

Προειδοποίηση! Πριν από τη συναρμολόγηση, αφαιρείτε πάντα την μπαταρία.

Τοποθέτηση και αφαίρεση της μπαταρίας (εικ. A)

- ◆ Για να τοποθετήσετε την μπαταρία (5), ευθυγραμμίστε την με την υποδοχή πάνω στο εργαλείο. Ολισθήστε τη μπαταρία μέσα στη θήκη και σπρώξτε τη μέχρι να κουμπώσει στη θέση της.
- ◆ Για να αφαιρέσετε τη μπαταρία, σπρώξτε μαζί και τα δύο κουμπιά απελευθέρωσης (6) ενώ ταυτόχρονα τραβάτε τη μπαταρία έξω από την υποδοχή.

Τοποθέτηση και αφαίρεση τρυπανιού ή μύτης κατασβιδιού (εικ. B)

Προειδοποίηση! Πρώτα αφαιρέστε τη μπαταρία από το εργαλείο.

Το εργαλείο αυτό διαθέτει τσοκ χωρίς κλειδί ώστε να διευκολύνεται η αλλαγή εξαρτημάτων.

- ◆ Ασφαλίστε το εργαλείο, θέτοντας το συρόμενο διακόπτη λειτουργίας εμπρός/ανάποδα (2) στην κεντρική θέση.
- ◆ Ανοίξτε στο τσοκ, γυρίζοντας το μπροστινό μέρος του (11) με το ένα χέρι και κρατώντας ταυτόχρονα το πίσω μέρος (12) με το άλλο (εικ. B).
- ◆ Εισάγετε το στέλεχος της μύτης (17) μέσα στο τσοκ.
- ◆ Σφίξτε καλά το τσοκ, γυρίζοντας το μπροστινό μέρος του (11) με το ένα χέρι ενώ κρατάτε το πίσω μέρος (12) με το άλλο.

Αφαίρεση και επανατοποθέτηση του τσοκ (εικ. C)

- ◆ Ανοίξτε το τσοκ όσο το δυνατόν περισσότερο.
- ◆ Αφαιρέστε τη βίδα συγκράτησης του τσοκ στρέφοντάς τη δεξιόστροφα με ένα κατασβίδι.
- ◆ Προσαρμόστε ένα κλειδί Allen (14) στο τσοκ και χτυπήστε το με ένα σφυρί, όπως φαίνεται στη φωτογραφία.
- ◆ Απομακρύνετε το κλειδί Allen.
- ◆ Αφαιρέστε το τσοκ στρέφοντάς το αριστερόστροφα.
- ◆ Για να επανατοποθετήσετε το τσοκ, βιδώστε το στον άξονα και ασφαλίστε το με τη βίδα συγκράτησης.

Χρήση

Προειδοποίηση! Αφήστε το εργαλείο να λειτουργήσει με το δικό του ρυθμό. Μην το υπερφορτώνετε.

Φόρτιση της μπαταρίας

Η μπαταρία πρέπει να φορτιστεί πριν από την πρώτη χρήση και όποτε δεν μπορεί να παράγει αρκετή ισχύ για εργασίες που παλαιότερα εκτελούνταν με ευκολία. Όταν η μπαταρία φορτίζεται για πρώτη φορά ή μετά από παρατεταμένη αποθήκευση, θα φορτιστεί μόνο κατά το 80%.

Μετά από μερικούς κύκλους φόρτισης και αποφόρτισης, η μπαταρία θα αποκτήσει πλήρη χωρητικότητα. Η μπαταρία μπορεί να ζεσταθεί κατά τη φόρτισή της. Αυτό είναι φυσιολογικό και δεν είναι ενδεικτικό κάποιου προβλήματος.

Προειδοποίηση! Μη φορτίζετε τη μπαταρία σε θερμοκρασίες περιβάλλοντος κάτω των 4 °C ή άνω των 40 °C. Συνιστώμενη θερμοκρασία φόρτισης: περίπου 24 °C.

Φορτιστής με βάση φόρτισης (εικ. D)

- ◆ Για να φορτίσετε τη μπαταρία (5), αφαιρέστε την από το εργαλείο και τοποθετήστε την στη βάση φόρτισης (8). Η μπαταρία μπαίνει στη βάση φόρτισης κατά ένα τρόπο και μόνο. Μην ασκείτε πίεση. Βεβαιωθείτε ότι η μπαταρία έχει εφαρμόσει καλά στη βάση φόρτισης.
- ◆ Συνδέστε το φορτιστή στην πρίζα.

Μετά από κανονική χρήση, ο χρόνος φόρτισης των 3 ωρών είναι αρκετός για να παρέχει επαρκή ισχύ στις περισσότερες συσκευές. Ωστόσο, ο μεγαλύτερος χρόνος φόρτισης, έως και 6 ώρες, αυξάνει σημαντικά τον χρόνο χρήσης, ανάλογα τη μπαταρία και τις συνθήκες φόρτισης.

- ◆ Αφαιρέστε τη μπαταρία από το φορτιστή.

Φορτιστής χωρίς βάση φόρτισης (εικ. E)

- ◆ Για να φορτίσετε τη μπαταρία, βεβαιωθείτε ότι είναι τοποθετημένη στο δράπανο.
- ◆ Εισαγάγετε το βύσμα του φορτιστή (10) στο ακροδέκτη σύνδεσης (9).
- ◆ Συνδέστε το φορτιστή στην πρίζα.

Μετά από κανονική χρήση, ο χρόνος φόρτισης των 3 ωρών είναι αρκετός για να παρέχει επαρκή ισχύ στις περισσότερες συσκευές. Ωστόσο, ο μεγαλύτερος χρόνος φόρτισης, έως και 6 ώρες, αυξάνει σημαντικά τον χρόνο χρήσης, ανάλογα τη μπαταρία και τις συνθήκες φόρτισης.

- ◆ Αφαιρέστε το εργαλείο από το φορτιστή.

Προειδοποίηση! Μη χρησιμοποιείτε το εργαλείο όταν αυτό είναι συνδεδεμένο στο φορτιστή.

Επιλογή της κατεύθυνσης περιστροφής

Για διάτρηση και για τη σύσφιξη βιδών, χρησιμοποιείτε την περιστροφή προς τα εμπρός (δεξιόστροφη). Για το ξεβίδωμα των βιδών ή για να αφαιρέσετε τρυπάνι που έχει κολλήσει, χρησιμοποιείτε την ανάποδη περιστροφή (αριστερόστροφη).

- ◆ Για να επιλέξετε την περιστροφή προς τα εμπρός, πιέστε το συρόμενο διακόπτη εμπρός/πίσω (2) προς τα αριστερά.
- ◆ Για να επιλέξετε την ανάποδη περιστροφή, πιέστε το συρόμενο διακόπτη εμπρός/πίσω προς τα δεξιά.
- ◆ Για να ασφαλίσετε το εργαλείο, τοποθετήστε το συρόμενο διακόπτη εμπρός / πίσω στη μεσαία θέση.

Επιλογή της κατάστασης λειτουργίας ή της ροπής (εικ. F)

Το εργαλείο αυτό διαθέτει κολάρο για την επιλογή της κατάστασης λειτουργίας και για τη ρύθμιση της ροπής για σύσφιξη βιδών. Οι μεγάλες βίδες και τα τεμάχια από σκληρό υλικό απαιτούν υψηλότερη ρύθμιση ροπής σε σύγκριση με τις μικρές βίδες και τα τεμάχια από μαλακό υλικό. Το κολάρο αυτό προσφέρει μία μεγάλη κλίμακα ρυθμίσεων ανάλογα με την εφαρμογή σας.

- ◆ Για διάτρηση σε ξύλο, μέταλλο και πλαστικά, θέστε το κολάρο (3) στη θέση διάτρησης ευθυγραμμίζοντας το σύμβολο 2 με την ένδειξη (15).
- ◆ Για λειτουργία κατασβιδιού, θέστε το κολάρο στην επιθυμητή θέση. Αν δεν γνωρίζετε ακόμη την κατάλληλη θέση που πρέπει να επιλεγεί, ακολουθήστε τα παρακάτω βήματα:
 - Ρυθμίστε το δακτύλιο (3) στη ρύθμιση της χαμηλότερης ροπής.
 - Σφίξτε την πρώτη βίδα.
 - Αν ο συμπλέκτης σταματήσει πριν επιτευχθεί το επιθυμητό αποτέλεσμα, αυξήστε τη ρύθμιση στο δακτύλιο και συνεχίστε να σφίγγετε τη βίδα. Επαναλάβετε τη διαδικασία αυτή μέχρι να επιτύχετε την κατάλληλη ρύθμιση. Με τη ρύθμιση αυτή, βιδώστε τις υπόλοιπες βίδες.

Θέση εντός και εκτός λειτουργίας

Διακόπτης ρυθμιζόμενης ταχύτητας

- ◆ Για να θέσετε σε λειτουργία το εργαλείο, πατήστε το διακόπτη ρυθμιζόμενης ταχύτητας (1). Η ταχύτητα του εργαλείου εξαρτάται από το βαθμό που θα πατήσετε το διακόπτη.
- ◆ Για να σβήσετε το εργαλείο, απελευθερώστε το διακόπτη ρυθμιζόμενης ταχύτητας.

Διακόπτης θέσης εντός/εκτός λειτουργίας (on/off) δυο ταχυτήτων

- ◆ Για να θέσετε σε λειτουργία το εργαλείο, πατήστε το διακόπτη on/off (1). Όταν πατάτε ελαφρά τον διακόπτη, το εργαλείο λειτουργεί σε χαμηλή ταχύτητα. Όταν πατάτε πιο δυνατά τον διακόπτη, το εργαλείο λειτουργεί σε υψηλή ταχύτητα.
- ◆ Για να σβήσετε το εργαλείο, απελευθερώστε το διακόπτη ρυθμιζόμενης ταχύτητας.

Συμβουλές για άριστη χρήση

Διάτρηση

- ◆ Να ασκείτε πάντα μια ελαφρά πίεση στην ίδια ευθεία με το τρυπάνι.

- ◆ Μόλις πριν το τρυπάνι βγει από την άλλη πλευρά του τεμαχίου εργασίας, ελαττώστε την ασκούμενη πίεση στο εργαλείο.
- ◆ Χρησιμοποιήστε ένα κομμάτι ξύλο για να στηρίξετε τα τεμάχια εργασίας, των οποίων το υλικό ενδέχεται να εμφανίσει ρωγμές κατά το τρύπημα.
- ◆ Για τη διάτρηση οπών μεγάλης διαμέτρου σε ξύλο, χρησιμοποιήστε τρυπάνι διχαλωτής μορφής.
- ◆ Για τη διάτρηση σε μέταλλο, χρησιμοποιήστε τρυπάνια από ταχυάλυβα (HSS).
- ◆ Χρησιμοποιήστε τρυπάνια τοίχου κατά τη διάτρηση μαλακής τοιχοποιίας.
- ◆ Χρησιμοποιήστε λιπαντικό κατά τη διάτρηση μετάλλων εκτός από χυτοσίδηρο και ορείχαλκο.
- ◆ Δημιουργήστε μια μικρή εγκοπή με μία πόντα στο κέντρο της οπής που θα τρυπηθεί προκειμένου να τρυπήσετε με μεγαλύτερη ακρίβεια.

Βίδωμα

- ◆ Να χρησιμοποιείτε πάντα τον κατάλληλο τύπο και μέγεθος μύτης κατασβιδιού.
- ◆ Αν το σφίξιμο των βιδών παρουσιάζει δυσκολία, απλώστε μικρή ποσότητα υγρού απορρυπαντικού ή σαπουνιού σαν λιπαντικό.
- ◆ Το εργαλείο και η μύτη του κατασβιδιού πρέπει να κρατούνται πάντα στην ίδια ευθεία με τη βίδα.

Συντήρηση

Αυτό το εργαλείο της Black & Decker έχει σχεδιαστεί έτσι ώστε να λειτουργεί για μεγάλο χρονικό διάστημα με την ελάχιστη δυνατή φροντίδα. Η αδιάλειπτη και κανονική λειτουργία του εξαρτάται από τη φροντίδα του εργαλείου και τον τακτικό καθαρισμό του.

Ο φορτιστής σας δεν απαιτεί καμία συντήρηση εκτός από τον τακτικό καθαρισμό του.

Προειδοποίηση! Πριν εκτελέσετε οποιαδήποτε εργασία συντήρησης στο εργαλείο, αφαιρέστε τη μπαταρία από το εργαλείο. Βγάλτε τον φορτιστή από την πρίζα πριν τον καθαρίσετε.

- ◆ Καθαρίζετε τακτικά τις οπές εξαιρισμού του εργαλείου σας και του φορτιστή με μαλακή βούρτσα ή με στεγνό πανί.
- ◆ Να καθαρίζετε τακτικά το περίβλημα της μηχανής χρησιμοποιώντας ένα βρεγμένο πανί. Μη χρησιμοποιείτε σπινθηρικά ή υγρά καθαρισμού που περιέχουν διαλυτικές ουσίες.
- ◆ Να ανοίγετε τακτικά το σοκ και να το αδειάζετε, προκειμένου να αφαιρείται η σκόνη από το εσωτερικό του.

Διάθεση εργαλείων και περιβάλλον



Ξεχωριστή συλλογή. Αυτό το προϊόν δεν πρέπει να απορριφθεί με συνηθισμένα σπιτικά απορρίμματα.

Εάν κάποια μέρα διαπιστώσετε ότι το προϊόν σας Black & Decker χρειάζεται αντικατάσταση ή δεν σας χρησιμεύει πλέον, μην το απορρίψετε με τα σπιτικά απορρίμματα. Κάντε αυτό το προϊόν διαθέσιμο για ξεχωριστή συλλογή.



Η ξεχωριστή συλλογή χρησιμοποιημένων προϊόντων και συσκευασιών επιτρέπει την ανακύκλωση υλικών. Η επανάχρηση ανακυκλωμένων υλικών βοηθάει την προστασία του περιβάλλον και μειώνει την ζήτηση για σπάνια υλικά.

Οι τοπικοί κανονισμοί μπορεί να παρέχουν ξεχωριστή συλλογή ηλεκτρικών προϊόντων από κατοικίες, δημοτικές τοποθεσίες απορριμμάτων ή από τον έμπορο όταν αγοράσατε το καινούργιο προϊόν.

Η Black & Decker δίνει τη δυνατότητα συλλογής και ανακύκλωσης των προϊόντων της που έχουν συμπληρώσει τη διάρκεια ζωής τους. Αν θέλετε να χρησιμοποιήσετε την εν λόγω υπηρεσία, επιστρέψτε το προϊόν σας σε οποιοδήποτε εξουσιοδοτημένο κέντρο επισκευών, όπου θα το παραλάβουν εκ μέρους σας.

Ενημερωθείτε για το πλησιέστερο κέντρο επισκευών της περιοχής σας, επικοινωνώντας με τα γραφεία της Black & Decker στη διεύθυνση που αναγράφεται στο εγχειρίδιο. Επίσης, για να πληροφορηθείτε τα εξουσιοδοτημένα κέντρα επισκευών της Black & Decker και τις λεπτομέρειες και τους αρμόδιους των υπηρεσιών που παρέχονται μετά την πώληση, μπορείτε να ανατρέξετε στο Διαδίκτυο στη διεύθυνση: www.2helpU.com

Μπαταρίες



Οι μπαταρίες Black & Decker μπορούν να επαναφορτιστούν πολλές φορές. Όταν πλέον δεν μπορούν να ξαναχρησιμοποιηθούν, απορρίψτε τις με τρόπο κατάλληλο για το περιβάλλον:

- ◆ Εξαντήστε πλήρως τη μπαταρία και μετά αφαιρέστε την από το εργαλείο.
- ◆ Οι μπαταρίες NiCd, NiMH και Li-Ion είναι ανακυκλώσιμες. Στείλτε τις σε κάποιο εξουσιοδοτημένο κέντρο επισκευών ή στον τοπικό σταθμό ανακύκλωσης.

Τεχνικά χαρακτηριστικά

		CD12	CD112	CD96
Τάση	V_{DC}	12	12	9,6
Ταχύτητα άφορτου κίνησης	min^{-1}	700	700	700
Μέγ. ροπή	Nm	8	8	7,5
Απόδοση τσακ	mm	10	10	10
Μέγ. δυνατότητα διάτρησης				
Χάλυβας	mm	10	10	10
Ξύλο	mm	25	25	25
Βάρος	kg	0,9	0,9	0,7

		CD14	CD18
Τάση	V_{DC}	14,4	18
Ταχύτητα άφορτου κίνησης	min^{-1}	750	850
Μέγ. ροπή	Nm	12,5	13
Απόδοση τσακ	mm	10	10
Μέγ. δυνατότητα διάτρησης			
Χάλυβας	mm	10	10
Ξύλο	mm	25	25
Βάρος	kg	1,01	1,03

		KC12GT	KC14GT
Τάση	V_{DC}	12	14,4
Ταχύτητα άφορτου κίνησης	min^{-1}	700	750
Μέγ. ροπή	Nm	8	12,5
Απόδοση τσακ	mm	10	10
Μέγ. δυνατότητα διάτρησης			
Χάλυβας	mm	10	10
Ξύλο	mm	25	25
Βάρος	kg	0,9	1,01

Μπαταρία		A9251	A9252	A9262
Τάση	V_{DC}	9,6	12	14,4
Χωρητικότητα	Ah	1,3	1,0	1,2
Βάρος	kg	0,365	0,5	0,7

Μπαταρία		A9272	A9282
Τάση	V_{DC}	9,6	18
Χωρητικότητα	Ah	1,5	1,2
Βάρος	kg	0,465	0,73

Φορτιστής

Τάση δικτύου	V_{AC}	220-240
Χρόνος φόρτισης κατά προσέγγιση	h	3

Δήλωση συμμόρφωσης με την Ευρωπαϊκή Κοινότητα

CD12/CD112/CD96/CD14/CD18/KC12GT/KC14GT

H Black & Decker δηλώνει ότι τα προϊόντα αυτά

συμμορφώνονται με:

98/37/EK, EN 60745

Στάθμη πίεσης ήχου σύμφωνα με το πρότυπο EN 60745:

Πίεση ήχου (L_{pA}) 68 dB(A), αβεβαιότητα (K) 3 dB(A)Ακουστική ισχύς (L_{WA}) 79 dB(A), αβεβαιότητα (K) 3 dB(A)

Τιμές συνολικής δόνησης (άθροισμα τριαξονικών ανυσμάτων) αποφασισμένο σύμφωνα με EN 60745:

Διάτρηση κρούσης σε μέταλλο ($a_{h,d}$) < 2.5 m/s²,αβεβαιότητα (K) 1,5 m/s²Βίδωμα χωρίς κρούση ($a_{h,s}$) < 2.5 m/s²,αβεβαιότητα (K) 1,5 m/s²


Kevin Hewitt

Διευθυντής Εξυπηρέτησης Πελατών
Spennymoor, County Durham DL16 6JG,

Αγγλία

5-2-2008

Εγγύηση

H Black & Decker είναι σίγουρη για την ποιότητα των προϊόντων της και παρέχει σημαντική εγγύηση. Η παρούσα γραπτή εγγύηση αποτελεί πρόσθετο δικαίωμά σας και δεν ζημιώνει τα συνταγματικά σας δικαιώματα. Η εγγύηση ισχύει εντός της επικράτειας των Κρατών Μελών της Ευρωπαϊκής Ένωσης και της Ευρωπαϊκής Ζώνης Ελευθέρων Συναλλαγών.

Σε περίπτωση που κάποιο προϊόν της Black & Decker παρουσιάσει βλάβη εξαιτίας ελαττωματικών υλικών, ποιότητας εργασίας ή έλλειψης συμφωνίας με τις προδιαγραφές εντός 24 μηνών από την ημερομηνία αγοράς, η Black & Decker εγγυάται την αντικατάσταση των ελαττωματικών τμημάτων, την επισκευή προϊόντων που έχουν υποστεί εύλογη φθορά λόγω χρήσης ή την αντικατάσταση των προϊόντων προκειμένου να εξασφαλίσει την ελάχιστη ενόχληση στους πελάτες της, εκτός αν:

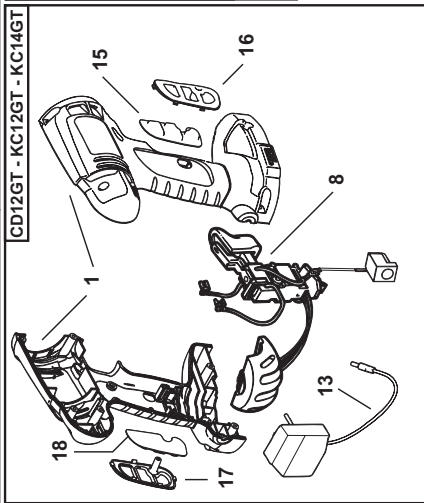
- ◆ Το προϊόν έχει χρησιμοποιηθεί σε εργασιακό, επαγγελματικό περιβάλλον ή αν έχει εννοικιαστεί
- ◆ Έχει γίνει εσφαλμένη χρήση του προϊόντος ή αν έχει παραμεληθεί
- ◆ Το προϊόν έχει υποστεί βλάβη από άλλα αντικείμενα, από ουσίες ή λόγω ατυχήματος
- ◆ Έχει γίνει προσπάθεια επισκευής από μη εξουσιοδοτημένα κέντρα επισκευών ή από προσωπικό που δεν ανήκει στο προσωπικό της Black & Decker

Για να ισχύσει η εγγύηση, πρέπει να υποβάλετε απόδειξη αγοράς στον πωλητή ή το εξουσιοδοτημένο κέντρο επισκευών. Ενημερωθείτε για το πλησιέστερο κέντρο επισκευών της περιοχής σας, επικοινωνώντας με τα γραφεία της Black & Decker στη διεύθυνση που αναγράφεται στο εγχειρίδιο. Επίσης, για να πληροφορηθείτε για τα εξουσιοδοτημένα κέντρα επισκευών της Black & Decker, τις λεπτομέρειες και τους αρμόδιους των υπηρεσιών που παρέχονται μετά την πώληση, μπορείτε να ανατρέξετε στο Διαδίκτυο στη διεύθυνση: **www.2helpU.com**

Παρακαλούμε να επισκεφτείτε την ιστοσελίδα μας **www.blackanddecker.eu** για να καταχωρήσετε το νέο σας προϊόν Black & Decker και για να ενημερώσετε για τα νέα προϊόντα και τις ειδικές προσφορές. Περισσότερες πληροφορίες σχετικά με τη μάρκα Black & Decker και τη σειρά προϊόντων μας θα βρείτε στη διεύθυνση **www.blackanddecker.eu**

**CD96C - CD12C - CD14C - CD18C -
CD112C - CD12GT - KC12GT - KC14GT**

TYP.

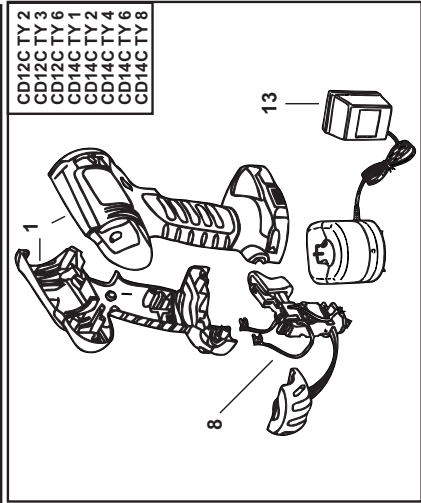


CD12GT - KC12GT - KC14GT

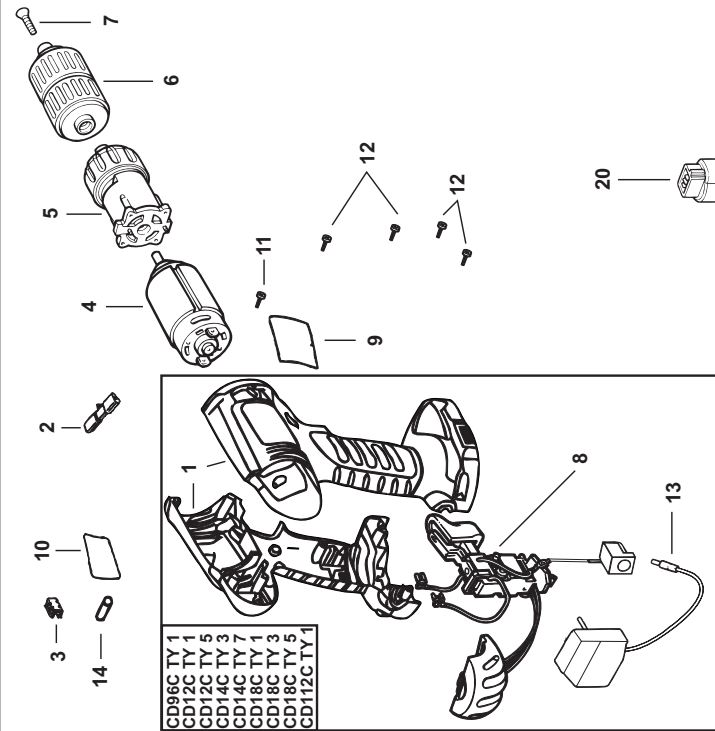
- CD96C TY 1
- CD12C TY 1
- CD12C TY 2
- CD12C TY 3
- CD14C TY 3
- CD14C TY 4
- CD14C TY 6
- CD18C TY 3
- CD18C TY 4
- CD12GT TY 1
- CD12C TY 1
- KC12GT TY 1
- KC14GT TY 1



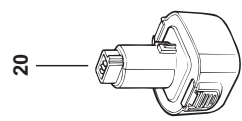
19



- CD12C TY 2
- CD12C TY 3
- CD12C TY 6
- CD14C TY 1
- CD14C TY 2
- CD14C TY 4
- CD14C TY 6
- CD14C TY 8



- CD96C TY 1
- CD12C TY 5
- CD14C TY 3
- CD14C TY 7
- CD18C TY 1
- CD18C TY 3
- CD18C TY 5
- CD112C TY 1



België/Belgique	Black & Decker (Belgium) N.V. Nieuwlandlaan 321 3200 Aarschot	Tel. Fax	016 68 91 00 016 68 91 11
Danmark	Black & Decker Sluseholmen 2-4, 2450 København SV Internet: www.blackanddecker.dk	Tel. Fax	70 20 15 10 70 22 49 10
Deutschland	Black & Decker GmbH Black & Decker Str. 40, D - 65510 Idstein	Tel. Fax	06126/21 - 0 06126/21 29 80
Ελλάδα	Black & Decker (Ελλάς) Α.Ε. Στράβωνος 7 & Λεωφ. Βουλιαγμένης 159 166 74 Γλυφάδα - Αθήνα	Τηλ. Φαξ www.blackanddecker.eu	210 8981616 210 8983285
España	Black & Decker Ibérica, S.C.A. Parc de Negocis "Mas Blau" Edificio Muntadas, c/Bergadá, 1, Of. A6 08820 El Prat de Llobregat (Barcelona)	Tel. Fax	934 797 400 934 797 419
France	Black & Decker (France) S.A.S. B.P. 21, 69571 Dardilly Cédex	Tel. Fax	04 72 20 39 20 04 72 20 39 00
Helvetia	ROFO AG Gewerbezone Seeblick 3213 Kleinbödingen	Tel. Fax	026-6749391 026-6749394
Italia	Black & Decker Italia SpA Viale Elvezia 2 20052 Monza (MI)	Tel. Fax Numero verde	039-23871 039-2387592/2387594 800-213935
Nederland	Black & Decker Benelux Joulehof 12, 4622 RG Bergen op Zoom	Tel. Fax	0164 - 283000 0164 - 283100
Norge	Black & Decker (Norge) A/S Postboks 4814, Nydalen, 0422 Oslo Internet: www.blackanddecker.no	Tlf. Fax	22 90 99 00 22 90 99 01
Österreich	Black & Decker Vertriebsges.m.b.H Oberlaaerstraße 246, A1100 Wien	Tel. Fax	01 66116-0 01 66116-14
Portugal	Black & Decker Rua Egas Moniz 173 S. João do Estoril 2766-651 Estoril	Tel. Fax	214667500 214667580
Suomi	Black & Decker Oy Keilasatama 3, 02150 Espoo Black & Decker Oy, Kägelhamnen 3, 02150 Esbo	Puh. Faksi Tel. Fax	010 400 430 (09) 2510 7100 010 400 430 (09) 2510 7100
Sverige	Black & Decker AB Fabriksq. 7, 412 50 Göteborg	Tel. Fax	031-68 60 60 031-68 60 80
United Kingdom	Black & Decker 210 Bath Road Slough, Berkshire SL1 3YD	Tel. Fax Helpline	01753 511234 01753 551155 01753 574277
Middle East & Africa	Black & Decker (Overseas) A.G. PB 5420, Dubai, United Arab Emirates	Tel. Fax	+971 4 2826464 +971 4 2826466905

Dealer address
Händleradresse
Cachet du revendeur
Indirizzo del rivenditore
Adres van de dealer
Dirección del detallista
Morada do revendedor
Återförsäljarens adress
Forhandlerens adresse
Forhandler adresse
Jälleenmyyjän osoite
Διεύθυνση αντιπροσώπου

Date of purchase
Kaufdatum
Date d'achat
Data d'acquisto
Aankoopdatum
Fecha de compra
Data de compra
Inkõpsdato
Indkøbsdato
Ostopäivä
Ημερομηνία αγοράς

◆ Name ◆ Nom ◆ Nome
◆ Naam ◆ Nombre ◆ Nome ◆ Namn
◆ Navn ◆ Navn ◆ Nimi ◆ Διεύθυνση:

◆ Is this tool a gift? ◆ Ist dieses Gerät ein Geschenk? ◆ S'agiti-ì d'un cadeau? ◆ Si tratta di un regalo? ◆ Kreeg u de machine als cadeau? ◆ ¿Ha recibido usted esta herramienta como regalo? ◆ Recebeu esta ferramenta como presente? ◆ Ar verkjøyet en gave? ◆ Er verkjøyet en gave? ◆ Onko kante lahja? ◆ Το εργαλείο είναι δώρο;

◆ Yes ◆ Ja ◆ Oui ◆ Si ◆ Ja ◆ Si
◆ Sim ◆ Ja ◆ Ja ◆ Ja ◆ Kyllä ◆ Nai

◆ No ◆ Nein ◆ Non ◆ No ◆ Nee
◆ No ◆ Não ◆ Nej ◆ Nei ◆ Nej
◆ Ei ◆ Oxi

◆ Dealer address ◆ Händleradresse
◆ Cachet du revendeur ◆ Indirizzo del rivenditore ◆ Adres van de dealer
◆ Dirección del detallista ◆ Morada do revendedor ◆ Återförsäljarens adress
◆ Forhandlerens adresse ◆ Forhandler adresse
◆ Jälleenmyyjän osoite
◆ Διεύθυνση αντιπροσώπου

◆ Address ◆ Adresse ◆ Adresse ◆ Indirizzo ◆ Adres ◆ Dirección ◆ Morada ◆ Address ◆ Adresse ◆ Adresse ◆ Osoite ◆ Διεύθυνση:

◆ Town ◆ Ort ◆ Ville ◆ Città ◆ Plaats
◆ Ciudad ◆ Localidade ◆ Ort ◆ By
◆ Paikkakunta ◆ Πόλη:

◆ Postal code ◆ Postleitzahl ◆ Code postal
◆ Codice postale ◆ Postcode
◆ Código ◆ Código postal ◆ Postnr.
◆ Postnr. ◆ Postnr. ◆ Postnummero
◆ Κωδικός

◆ Is this tool your first purchase? ◆ Ist dieses Gerät ein Erstkauf? ◆ Est-ce un 1er achat? ◆ Questo prodotto è il suo primo acquisto? ◆ Is deze machine uw eerste aankoop? ◆ ¿Es esta herramienta la primera de este tipo? ◆ Esta herramienta é a sua primeira compra? ◆ Ar dette ditt første B&D-verktyg? ◆ Er dette ditt første B&D-verktyg? ◆ Onko tämä ensimmäinen B&D-koneesi? ◆ Είναι το εργαλείο αυτό η πρώτη σας αγορά;

Cat. no.:



◆ Data protection act: Tick the box if you prefer not to receive further information.
◆ Bitte ankreuzen, falls Sie keine weiteren Informationen erhalten möchten. ◆ Si vous ne souhaitez pas recevoir d'informations, cochez cette case. ◆ Barrate la casella se non desiderate ricevere informazioni.
◆ A.u.b. dit vakje aankruisen indien u geen informatie wenst te ontvangen.
◆ Señale en la casilla sino quiere recibir información. ◆ Por favor, assinale com uma cruz se não desejar receber informação.
◆ Vänligen kryssa för i rutan om Ni inte vill ha information.
◆ Vennligst kryss av dersom du ikke ønsker informasjon. ◆ Venligst sæt kryds i ruden såfremt De ikke måtte ønske at modtage information.
◆ Merkittäki rasti ruutuun, mikäli ette halua vastaanottaa informaatiota.
◆ Παρακαλείστε να σημειώσετε εάν δεν θέλετε να λάβετε πληροφορίες.

- ◆ GUARANTEE CARD ◆ GARANTIEKARTE ◆ CARTE DE GARANTIE ◆ TAGLIANDO DI GARANZIA
 ◆ GARANTIEKART ◆ TARJETA DE GARANTÍA ◆ CARTÃO DE GARANTIA ◆ GARANTIBEVIS
 ◆ GARANTI KORT ◆ GARANTI KORT ◆ TAKUUKORTTI ◆ KAPTA ETTYHSHZ



English	Please complete this section immediately after the purchase of your tool and send it to Black & Decker in your country.	Português	Por favor, recorte esta parte, coloque-a num envelope selado e endereçado e envie-o logo após a compra do seu produto para o endereço da Black & Decker do seu país.
Deutsch	Bitte schneiden Sie diesen Abschnitt ab, stecken ihn in einen frankierten Umschlag und schicken ihn an die Black & Decker Adresse Ihres Landes.	Svenska	Var vänlig klipp ur denna del och sänd den i ett frankerat kuvert till Black & Deckers adress i Ditt land.
Français	Découpez cette partie et envoyez-la sous enveloppe timbrée à l'adresse de Black & Decker dans votre pays, ceci immédiatement après votre achat.	Norsk	Vennligst klipp ut denne delen umiddelbart etter du har pakket ut ditt produkt og legg det i en adressert konvolutt til Black & Decker (Norge) A/S.
Italiano	Per favore ritagliate questa parte, inseritela in una busta con francobollo e spedite-la subito dopo l'acquisto del prodotto all'indirizzo della Black & Decker nella vostra nazione.	Dansk	Venligst klip denne del ud og send frankeret til Black & Decker i dit land.
Nederlands	Knip dit gedeelte uit en zend het direct na aankoop in een gefrankeerde, geaddresseerde enveloppe naar het adres van Black & Decker in uw land.	Suomi	Leikkaa irti tämä osa, laita se kuoreen ja postita kuori paikalliseen Black & Decker osoitteeseen.
Español	Después de haber comprado su herramienta envíe usted, por favor, esta tarjeta a la central de Black & Decker en su país.	Ελληνικά	Παράκαλι κόψτε αυτό το κομμάτι και τοχυθούποληστε το αμέσως μετά την αγορά του προϊόντος σας στην διεύθυνση της Black & Decker στην Ελλάδα.