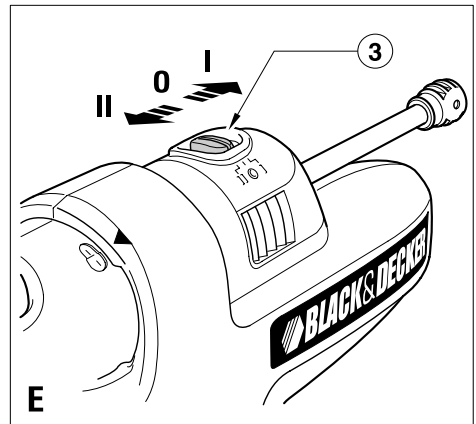
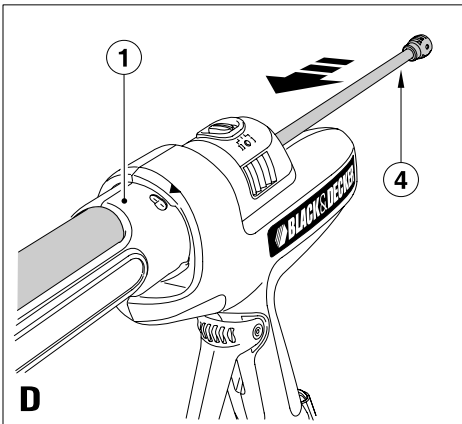
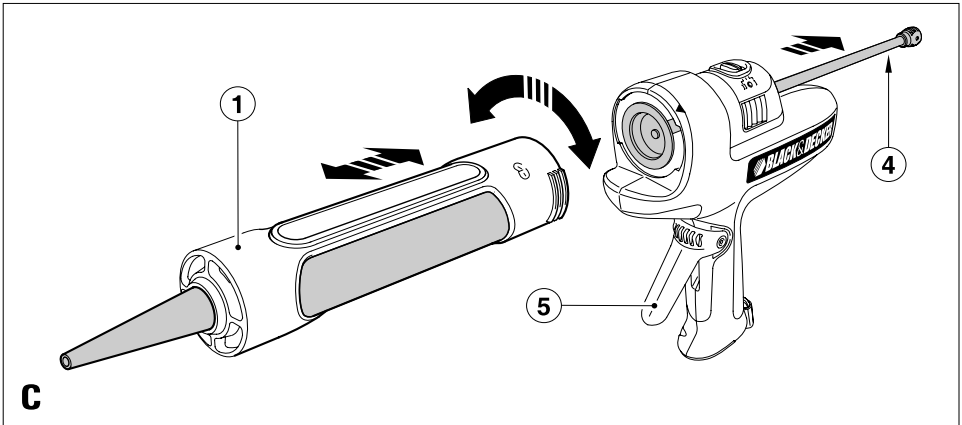
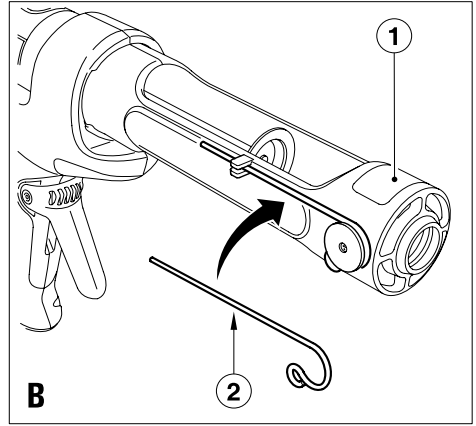
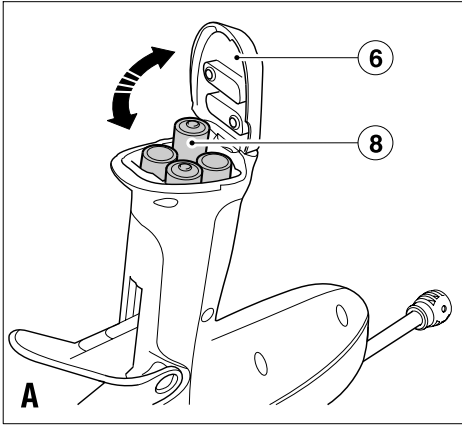


English	3
Deutsch	7
Français	12
Italiano	16
Nederlands	20
Español	24
Português	29
Svenska	34
Norsk	38
Dansk	42
Suomi	46
Ελληνικά	50



## Intended use

Your Black & Decker caulk gun has been designed to assist with the application of caulk, adhesive, sealant and filler materials from tubes. This tool is intended for consumer use only.

## General safety rules

**Warning!** Read all instructions. Failure to follow all instructions listed below may result in electric shock, fire and/or serious injury. The term "power tool" in all of the warnings listed below refers to your mains operated (corded) power tool or battery operated (cordless) power tool.

SAVE THESE INSTRUCTIONS.

### 1. Work area

- a. **Keep work area clean and well lit.** Cluttered and dark areas invite accidents.
- b. **Do not operate power tools in explosive atmospheres, such as in the presence of flammable liquids, gases or dust.** Power tools create sparks which may ignite the dust or fumes.
- c. **Keep children and bystanders away while operating a power tool.** Distractions can cause you to lose control.

### 2. Electrical safety

- a. **Power tool plugs must match the outlet. Never modify the plug in any way. Do not use any adapter plugs with earthed (grounded) power tools.** Unmodified plugs and matching outlets will reduce risk of electric shock.
- b. **Avoid body contact with earthed or grounded surfaces such as pipes, radiators, ranges and refrigerators.** There is an increased risk of electric shock if your body is earthed or grounded.
- c. **Do not expose power tools to rain or wet conditions.** Water entering a power tool will increase the risk of electric shock.
- d. **Do not abuse the cord. Never use the cord for carrying, pulling or unplugging the power tool. Keep cord away from heat, oil, sharp edges or moving parts.** Damaged or entangled cords increase the risk of electric shock.
- e. **When operating a power tool outdoors, use an extension cord suitable for outdoor use.** Use of a cord suitable for outdoor use reduces the risk of electric shock.

### 3. Personal safety

- a. **Stay alert, watch what you are doing and use common sense when operating a power tool. Do not use a power tool while you are tired or under the influence of drugs, alcohol or medication.** A moment of inattention while operating power tools may result in serious personal injury.

### b. Use safety equipment. Always wear eye protection.

Safety equipment such as dust mask, non-skid safety shoes, hard hat, or hearing protection used for appropriate conditions will reduce personal injuries.

### c. Avoid accidental starting. Make sure that the switch is in the off position before plugging in.

Carrying power tools with your finger on the switch or plugging in power tools that have the switch on invites accidents.

### d. Remove any adjusting key or wrench before turning the power tool on.

A wrench or a key left attached to a rotating part of the power tool may result in personal injury.

### e. Do not overreach. Keep proper footing and balance at all times.

This enables better control of the power tool in unexpected situations.

### f. Dress properly. Do not wear loose clothing or jewellery. Keep your hair, clothing and gloves away from moving parts.

Loose clothes, jewellery or long hair can be caught in moving parts.

### g. If devices are provided for the connection of dust extraction and collection facilities, make sure that these are connected and properly used.

Use of these devices can reduce dust related hazards.

### 4. Power tool use and care

#### a. Do not force the power tool. Use the correct power tool for your application.

The correct power tool will do the job better and safer at the rate for which it was designed.

#### b. Do not use the power tool if the switch does not turn it on and off.

Any power tool that cannot be controlled with the switch is dangerous and must be repaired.

#### c. Disconnect the plug from the power source before making any adjustments, changing accessories, or storing power tools.

Such preventive safety measures reduce the risk of starting the power tool accidentally.

#### d. Store idle power tools out of the reach of children and do not allow persons unfamiliar with the power tool or these instructions to operate the power tool.

Power tools are dangerous in the hands of untrained users.

#### e. Maintain power tools. Check for misalignment or binding of moving parts, breakage of parts and any other condition that may affect the power tools operation. If damaged, have the power tool repaired before use.

Many accidents are caused by poorly maintained power tools.

#### f. Keep cutting tools sharp and clean.

Properly maintained cutting tools with sharp cutting edges are less likely to bind and are easier to control.

**g. Use the power tool, accessories and tool bits etc., in accordance with these instructions and in the manner intended for the particular type of power tool, taking into account the working conditions and the work to be performed.** Use of the power tool for operations different from those intended could result in a hazardous situation.

## 5. Service

**a. Have your power tool serviced by a qualified repair person using only identical replacement parts.** This will make sure that the safety of the power tool is maintained.

### Additional safety instructions for the caulk gun

- ◆ **Keep hands out of the plunger and rod area of the caulk gun.** Fingers can be crushed between the tube holder and the plunger.
- ◆ **When operating caulk gun overhead, do not have the plunger rod in the path of your eyes or head.** The plunger rod may slip back in the direction of user. Always wear eye protection when using the caulk gun.
- ◆ **Always read and follow all manufacturer's instructions regarding caulk or adhesive.** Failure to do so may result in personal injury.
- ◆ **Always work in properly ventilated area and wear appropriate respiratory protection if necessary.** Fumes from some caulks and adhesives can be noxious.
- ◆ **Do not operate the caulk gun with a sealed caulk or adhesive tube.** Always remove any seals and make sure that the nozzle is clear from blockages before use.
- ◆ **Make sure that the speed selector switch is in the off position before inserting the batteries,** making adjustments or cleaning. Accidental start-up may cause injury.

### Additional safety instructions for non-rechargeable batteries

**Warning!** Batteries can explode, or leak, and can cause injury or fire. To reduce this risk:

- ◆ **Make sure that the speed selector switch is in the off position before inserting the battery(s).** Inserting batteries into power tools and appliances that have the switch on invites accidents.
- ◆ **Under abusive conditions, liquid may be ejected from the battery, avoid contact.** If contact accidentally occurs, flush with water. If liquid contacts eyes, additionally seek medical help. Liquid ejected from the battery may cause irritation or burns.
- ◆ Carefully follow all instructions and warnings on the battery label and package.
- ◆ Always insert batteries correctly with regard to polarity (+ and -), marked on the battery and the equipment.

- ◆ Do not short battery terminals.
- ◆ Do not charge batteries.
- ◆ Do not mix old and new batteries. Replace all of them at the same time with new batteries of the same brand and type.
- ◆ Keep batteries out of the reach of children.
- ◆ Remove batteries if the device will not be used for several months.
- ◆ Never attempt to open for any reason.
- ◆ Do not store in locations where the temperature may exceed 40 °C.
- ◆ When disposing of batteries, follow the instructions given in the section "Protecting the environment".
- ◆ Do not incinerate the batteries.

### Features

1. Caulk carriage
2. Seal poker
3. Speed selector switch
4. Plunger rod
5. Trigger switch
6. Battery compartment
7. Wrist strap

### Assembly

#### Installing the batteries (fig. A)

**Warning!** Use AA size batteries only. Use alkaline batteries only.

- ◆ Slide the cover of the battery compartment (6) forward to open it.
- ◆ Insert four new alkaline AA batteries (8), make sure to match the (+) positive and the (-) negative terminals correctly.
- ◆ Close the cover of the battery compartment (6) and slide it rearwards to lock it into position.

#### Preparing the caulk or adhesive tube (fig. B)

- ◆ Follow the manufacturer's recommendation to select the caulk material or adhesive to suit the job.
- ◆ Cut the nozzle of the tube at an angle. The closer to the end of the nozzle that you make your cut, the narrower the opening will be. The smaller the opening the smaller the bead of caulk.
- ◆ The seal poker (2) is located on the caulk carriage (1) and can be used to pierce the inner seal of the tube or to clear blockages from a partially used tube.

Make sure that the seal is pierced and the nozzle is unblocked before use. If not, the material may be forced out the rear of the gun.

#### Installing the caulk or adhesive tube (fig. C & D)

- ◆ Pull the plunger rod (4) back far enough to allow the tube to fit in the caulk carriage (1).

- ◆ Rotate the caulk carriage (1) anti-clockwise and remove it from the main housing.
- ◆ Insert the caulk or adhesive tube into the caulk carriage (1).
- ◆ Insert the caulk carriage (1) into the main housing. Confirm that the caulk carriage (1) is aligned properly and rotate it clockwise until the arrow on the main housing is aligned with the lock image on the caulk carriage (1).
- ◆ Push the plunger rod (4) forward until it rests against the back of the tube.

**Removing the caulk or adhesive tube (fig. C & E)**

- ◆ Release the trigger switch (5), set the speed selector switch (3) to off (0) and pull the plunger rod (4) back.
- ◆ Rotate the caulk carriage (1) anti-clockwise and remove it from the main housing.
- ◆ Remove the tube from the caulk carriage (1).

**Use**

**Switching on and off (fig. E)**

- ◆ Move the speed selector switch (3) from the off position (0) to the high-speed position (II).
- ◆ Pull the trigger switch (5) to begin dispensing caulk or adhesive.
- ◆ As the material begins to dispense from the tube, move the speed selector switch (3) to the low-speed position (I) if more control of the flow of material is required.
- ◆ Release the trigger switch (5) to stop dispensing the material from the tube. Set the speed selector switch (3) to the off position (0).

**Hints for optimum use**

The diameter of the nozzle, the temperature and the type of material being used will affect the flow rate.

Pull the trigger switch (5) at a consistent rate to achieve a more consistent bead and delivery of material.

**Warning!** Make sure that the speed selector switch (3) is in the off (0) position before inserting the batteries, making adjustments or cleaning. Accidental start-up may cause injury.

**Maintenance**

Your Black & Decker tool has been designed to operate over a long period of time with a minimum of maintenance. Continuous satisfactory operation depends upon proper tool care and regular cleaning

- ◆ Regularly clean the motor housing using a damp cloth. Do not use any abrasive or solvent-based cleaner. Never let any liquid get inside the tool and never immerse any part of the tool in liquid.
- ◆ Clean any caulk material or adhesive from the tube locations on the caulk carriage and main housing.

**Protecting the environment**

**Separate collection**



This product must not be disposed of with normal household waste.

Should you find one day that your tool needs replacement, or if it is of no further use to you, think of the protection of the environment. Black & Decker repair agents will accept old Black & Decker tools and ensure that they are disposed of in an environmentally safe way.



Separate collection of used products and packaging allows materials to be recycled and used again. Re-use of recycled materials helps prevent environmental pollution and reduces the demand for raw materials.

Local regulations may provide for separate collection of electrical products from the household, at municipal waste sites or by the retailer when you purchase a new product.

Black & Decker provides a facility for the collection and recycling of Black & Decker products once they have reached the end of their working life. To take advantage of this service please return your product to any authorised repair agent who will collect them on our behalf.

You can check the location of your nearest authorised repair agent by contacting your local Black & Decker office at the address indicated in this manual. Alternatively, a list of authorised Black & Decker repair agents and full details of our after-sales service and contacts are available on the Internet at: [www.2helpU.com](http://www.2helpU.com).



At the end of their useful life, discard batteries with due care for our environment. Remove the batteries as described above.

- ◆ Place the batteries in suitable packaging to ensure that the terminals cannot be short-circuited.
- ◆ Take the batteries to a local recycling station.

**Technical data**

		<b>CG100</b>
Voltage	Vdc	6
No load speed	mm/min	90 - 150
Battery size	Type	LR06 (AA)
Weight	g	950

**EC declaration of conformity**

CG100

Black &amp; Decker declares that these products conform to:

98/37/EC, 89/336/EEC, EN 60745, EN 55014

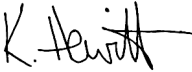
LpA (sound pressure) 61.6 dB(A),

LWA (acoustic power) 72.6 dB(A),

hand/arm weighted vibration 0.18m/s<sup>2</sup>,

Kpa (sound pressure uncertainty 3 dB(A),

Kwa (sound power uncertainty 3 dB(A),



Kevin Hewitt  
 Director of Consumer Engineering  
 Spennymoor, County Durham  
 DL16 6JG,  
 United Kingdom  
 06-12-2006

Please visit our website [www.blackanddecker.co.uk](http://www.blackanddecker.co.uk) to register your new Black & Decker product and to be kept up to date on new products and special offers. Further information on the Black & Decker brand and our range of products is available at [www.blackanddecker.co.uk](http://www.blackanddecker.co.uk).

**Guarantee**

Black & Decker is confident of the quality of its products and offers an outstanding guarantee. This guarantee statement is in addition to and in no way prejudices your statutory rights. The guarantee is valid within the territories of the Member States of the European Union and the European Free Trade Area.

If a Black & Decker product becomes defective due to faulty materials, workmanship or lack of conformity, within 24 months from the date of purchase, Black & Decker guarantees to replace defective parts, repair products subjected to fair wear and tear or replace such products to make sure of the minimum inconvenience to the customer unless:

- ◆ The product has been used for trade, professional or hire purposes.
- ◆ The product has been subjected to misuse or neglect.
- ◆ The product has sustained damage through foreign objects, substances or accidents.
- ◆ Repairs have been attempted by persons other than authorised repair agents or Black & Decker service staff.

To claim on the guarantee, you will need to submit proof of purchase to the seller or an authorised repair agent. You can check the location of your nearest authorised repair agent by contacting your local Black & Decker office at the address indicated in this manual. Alternatively, a list of authorised Black & Decker repair agents and full details of our after-sales service and contacts are available on the Internet at:

**[www.2helpU.com](http://www.2helpU.com)**

## Bestimmungsgemäße Verwendung

Ihre Black & Decker Dichtungspistole dient als Hilfsmittel beim Aufbringen von Fugenmasse, Klebstoff, Dichtungsmittel und Füllmaterial aus Kartuschen. Dieses Gerät ist nicht für den gewerblichen Einsatz vorgesehen.

## Allgemeine Sicherheitsregeln

**Achtung!** Sämtliche Anweisungen sind zu lesen. Die Nichteinhaltung der nachstehend aufgeführten Anweisungen kann einen elektrischen Schlag, Feuer und/oder schwere Verletzungen verursachen. Der nachfolgend verwendete Begriff "Gerät" bezieht sich auf netzbetriebene Geräte (mit Netzkabel) und auf batterie- oder akkubetriebene Geräte (ohne Netzkabel). BEWAHREN SIE DIESE ANWEISUNGEN AUF.

1. **Arbeitsbereich**
    - a. **Halten Sie Ihren Arbeitsbereich sauber und gut ausgeleuchtet.** Unordnung und dunkle Arbeitsbereiche können zu Unfällen führen.
    - b. **Arbeiten Sie mit Geräten nicht in explosionsgefährdeter Umgebung, in der sich brennbare Flüssigkeiten, Gase oder Stäube befinden.** Geräte erzeugen Funken, die den Staub oder die Dämpfe entzünden können.
    - c. **Halten Sie Kinder und andere Personen während der Benutzung des Geräts fern.** Bei Ablenkung können Sie die Kontrolle verlieren.
  2. **Elektrische Sicherheit**
    - a. **Der Netzstecker des Geräts muss in die Steckdose passen. Der Stecker darf in keiner Weise verändert werden. Verwenden Sie für schutzgeerdete Geräte keine Adapterstecker.** Unveränderte Stecker und passende Steckdosen verringern das Risiko eines elektrischen Schlages.
    - b. **Vermeiden Sie Körperkontakt mit geerdeten Oberflächen von Rohren, Heizungen, Herden und Kühlschränken.** Es besteht ein erhöhtes Risiko eines elektrischen Schlages, wenn Ihr Körper geerdet ist.
    - c. **Halten Sie Geräte von Regen und Nässe fern.** Das Eindringen von Wasser in ein Gerät erhöht das Risiko eines elektrischen Schlages.
    - d. **Verwenden Sie das Kabel ordnungsgemäß. Verwenden Sie es niemals zum Tragen. Trennen Sie das Gerät nicht durch Ziehen am Kabel vom Netz. Halten Sie das Kabel fern von Hitze, Öl, scharfen Kanten oder sich bewegenden Teilen.** Beschädigte oder verwickelte Kabel erhöhen das Risiko eines elektrischen Schlages.
  - e. **Wenn Sie mit einem Gerät im Freien arbeiten, verwenden Sie nur Verlängerungskabel, die auch für den Außenbereich zugelassen sind.** Die Verwendung eines für den Außenbereich geeigneten Verlängerungskabels verringert das Risiko eines elektrischen Schlages.
3. **Sicherheit von Personen**
    - a. **Seien Sie aufmerksam, achten Sie darauf, was Sie tun, und gehen Sie sachgerecht mit einem Gerät um. Benutzen Sie das Gerät nicht, wenn Sie müde sind oder unter dem Einfluss von Drogen, Alkohol oder Medikamenten stehen.** Ein Moment der Unachtsamkeit beim Gebrauch des Geräts kann zu ernsthaften Verletzungen führen.
    - b. **Verwenden Sie Schutzausrüstung. Tragen Sie stets eine Schutzbrille.** Schutzausrüstung wie Staubmaske, rutschfeste Sicherheitsschuhe, Schutzhelm oder Gehörschutz, je nach Art und Einsatz des Geräts, verringert das Risiko von Verletzungen.
    - c. **Vermeiden Sie eine unbeabsichtigte Inbetriebnahme. Vergewissern Sie sich, dass das Gerät ausgeschaltet ist, bevor Sie es an das Stromnetz anschließen.** Durch das Tragen des Geräts mit dem Finger am Schalter oder durch das Anschließen eingeschalteter Geräte werden Unfälle provoziert.
    - d. **Entfernen Sie Einstell- oder Schraubenschlüssel, bevor Sie das Gerät einschalten.** Ein Schlüssel in einem sich drehenden Teil kann zu Verletzungen führen.
    - e. **Nicht zu weit nach vorn beugen! Achten Sie jederzeit auf einen sicheren Stand, und halten Sie jederzeit das Gleichgewicht.** Dadurch können Sie das Gerät in unerwarteten Situationen besser unter Kontrolle halten.
    - f. **Tragen Sie geeignete Kleidung. Tragen Sie keine weite Kleidung oder Schmuck. Halten Sie Haare, Kleidung und Handschuhe fern von sich bewegenden Teilen.** Lockere Kleidung, Schmuck oder lange Haare können von sich bewegenden Teilen erfasst werden.
    - g. **Falls Vorrichtungen zum Absaugen oder Auffangen von Staub vorhanden sind, vergewissern Sie sich, dass diese angeschlossen sind und richtig verwendet werden.** Diese Vorrichtungen verringern Gefährdungen durch Staub.
  4. **Gebrauch und Pflege von Geräten**
    - a. **Überlasten Sie das Gerät nicht. Verwenden Sie das für Ihre Arbeit passende Gerät.** Durch das Arbeiten in dem für das Gerät angegebenen Leistungsbereich erzielen Sie nicht nur optimale Ergebnisse, Sie erhöhen auch die Sicherheit.

- b. Verwenden Sie das Gerät nicht, wenn der Ein-/Ausschalter nicht funktioniert.** Ein Elektrogerät, das sich nicht mehr ein- oder ausschalten lässt, ist gefährlich und muss repariert werden.
- c. Ziehen Sie den Stecker aus der Steckdose, bevor Sie Einstellungen vornehmen, Zubehörteile wechseln oder das Gerät weglegen.** Diese Vorsichtsmaßnahmen verhindern den unbeabsichtigten Start des Geräts.
- d. Bewahren Sie unbenutzte Geräte außerhalb der Reichweite von Kindern auf. Lassen Sie Geräte nicht von Personen benutzen, die damit nicht vertraut sind oder diese Anweisungen nicht gelesen haben.** Geräte sind gefährlich, wenn Sie von unerfahrenen Personen benutzt werden.
- e. Halten Sie Elektrowerkzeuge in einem einwandfreien Zustand. Kontrollieren Sie, ob bewegliche Teile falsch ausgerichtet sind bzw. klemmen und ob Teile gebrochen oder so beschädigt sind, dass die Funktion des Geräts beeinträchtigt ist. Lassen Sie beschädigte Geräte vor dem Gebrauch reparieren.** Viele Unfälle haben ihre Ursache in schlecht gewarteten Geräten.
- f. Halten Sie Schneidwerkzeuge scharf und sauber.** Sorgfältig gepflegte Schneidwerkzeuge mit scharfen Schneidkanten verklemmen sich weniger und sind leichter zu führen.
- g. Verwenden Sie Gerät, Zubehör, Einsatz-Bits usw. entsprechend diesen Anweisungen und so, wie es für diesen speziellen Gerätetyp vorgeschrieben ist. Berücksichtigen Sie dabei die Arbeitsbedingungen und die auszuführende Arbeit.** Der Gebrauch von Geräten für andere als die vorgesehenen Anwendungen kann zu gefährlichen Situationen führen.
- 5. Service**
  - a. Lassen Sie das Gerät nur von qualifiziertem Fachpersonal und nur mit Originalersatzteilen reparieren.** Die Sicherheit des Geräts bleibt so erhalten.

#### **Zusätzliche Sicherheitshinweise für Dichtungspistolen**

- ◆ **Achten Sie darauf, dass Ihre Hände nicht in den Bereich des Kolbens und der Druckstange der Dichtungspistole geraten.** Die Finger könnten zwischen Kartuschenhalter und Kolben eingeklemmt werden.
- ◆ **Achten Sie bei Arbeiten in Kopfhöhe darauf, dass die Druckstange nicht in Richtung von Augen oder Kopf weist.** Die Stange kann in Richtung des Bedieners zurückschnappen. Tragen Sie bei der Verwendung der Dichtungspistole immer eine Schutzbrille.
- ◆ **Lesen und befolgen Sie immer die Herstelleranweisungen für die Dichtungsmasse bzw. Klebstoffe.** Eine Nichtbeachtung kann Verletzungen zur Folge haben.

- ◆ **Führen Sie die Arbeiten immer bei ausreichender Belüftung aus. Tragen Sie, falls erforderlich, einen Atemschutz.** Die Dämpfe einiger Dichtungs- und Klebstoffe sind giftig.
- ◆ **Die Dichtungspistole darf nicht betätigt werden, solange die Dichtungs- oder Klebstoffkartusche verschlossen ist.** Entfernen Sie vor der Verwendung des Geräts stets die Versiegelung der Kartusche. Überprüfen Sie, ob die Ausgabeöffnung frei ist.
- ◆ **Stellen Sie sicher, dass der Geschwindigkeitsregler des Geräts ausgeschaltet ist, bevor Sie Batterien einlegen,** Einstellungen vornehmen oder das Gerät reinigen. Durch versehentliches Einschalten kann es zu Verletzungen kommen.

#### **Zusätzliche Sicherheitshinweise für nicht aufladbare Batterien**

**Achtung!** Batterien können explodieren oder auslaufen und zu Verletzungen oder Bränden führen. So verringern Sie das Risiko:

- ◆ **Stellen Sie sicher, dass der Geschwindigkeitsregler des Geräts ausgeschaltet ist, bevor Sie die Batterie(n) einlegen.** Das Einsetzen von Batterien in eingeschaltete Elektrowerkzeuge oder Geräte kann zu Unfällen führen.
- ◆ **Durch unsachgemäßen Gebrauch können Flüssigkeiten aus der Batterie austreten. Berühren Sie diese nicht!** Sollten Sie dennoch unbeabsichtigt damit in Berührung kommen, waschen Sie die betroffenen Stellen sofort mit reichlich Wasser ab. Suchen Sie sofort einen Arzt auf, wenn die Flüssigkeit in Kontakt mit Ihren Augen gekommen ist. Ausgetretene Flüssigkeiten aus Batterien können Hautreizungen oder Verätzungen hervorrufen.
- ◆ Befolgen Sie sorgfältig alle Hinweise und Warnungen auf der Batterie und deren Verpackung.
- ◆ Achten Sie beim Einsetzen der Batterien auf die richtige Polung (+ und –). Die Lage der Pole ist auf den Batterien und auf dem Gerät angegeben.
- ◆ Schließen Sie die Batteriepole nicht kurz.
- ◆ Laden Sie die Batterien nicht auf.
- ◆ Verwenden Sie gebrauchte und neue Batterien nicht zusammen. Tauschen Sie alle Batterien gleichzeitig aus. Setzen Sie nur Batterien derselben Marke und desselben Typs ein.
- ◆ Bewahren Sie Batterien außerhalb der Reichweite von Kindern auf.
- ◆ Nehmen Sie die Batterien heraus, wenn das Gerät mehrere Monate nicht genutzt wird.
- ◆ Auf keinen Fall öffnen.
- ◆ Nicht bei Temperaturen über 40 °C lagern.



- ◆ Bei der Entsorgung von Batterien die Hinweise im Abschnitt „Umweltschutz“ beachten.
- ◆ Batterien nicht ins Feuer werfen.

### Merkmale

1. Kartuschenhalter
2. Entsiegelungshaken
3. Geschwindigkeitsregler
4. Druckstange
5. Auslöser
6. Batteriefach
7. Trageriemen

### Montage

#### Einsetzen der Batterien (Abb. A)

**Achtung!** Verwenden Sie nur Batterien der Größe AA. Verwenden Sie nur Alkalibatterien.

- ◆ Schieben Sie den Batteriefachdeckel (6) zum Öffnen nach vorn.
- ◆ Setzen Sie vier neue Alkalibatterien der Größe AA ein. Achten Sie dabei auf die richtige Lage der Plus- und Minuspole.
- ◆ Schließen Sie den Batteriefachdeckel (6), und schieben Sie ihn nach hinten in die verriegelte Position.

#### Vorbereiten der Dichtmittel- bzw. Klebstoffkartusche (Abb. B)

- ◆ Folgen Sie den Herstellerempfehlungen bei der Auswahl des am besten für die Arbeiten geeigneten Dichtmittels/ Klebstoffs.
- ◆ Schneiden Sie die Spitze der Kartusche schräg ab. Je näher an der Spitze Sie den Schnitt ansetzen, desto kleiner ist die Öffnung. Je kleiner die Öffnung, desto kleiner ist der herausgedrückte Dichtmittelwulst.
- ◆ Der Entsiegelungshaken (2) befindet sich am Kartuschenhalter (1) und kann zum Durchstoßen der Kartuschenversiegelung oder zur Beseitigung von Verstopfungen bei bereits benutzten Kartuschen verwendet werden.

Stellen Sie vor der Benutzung des Geräts sicher, dass die Versiegelung der Kartusche durchstoßen und die Austrittsöffnung nicht verstopft ist. Ist dies nicht der Fall, kann das Material an der Rückseite der Dichtungspistole austreten.

#### Einsetzen der Dichtmittel- bzw. Klebstoffkartusche (Abb. C u. B)

- ◆ Ziehen Sie die Druckstange (4) weit genug zurück, um die Kartusche in den Halter (1) einlegen zu können.
- ◆ Drehen Sie den Kartuschenhalter (1) gegen den Uhrzeigersinn, und nehmen Sie ihn vom Gerät ab.
- ◆ Setzen Sie die Kartusche in den Halter (1) ein.

- ◆ Montieren Sie den Kartuschenhalter (1) wieder am Gerät. Stellen Sie sicher, dass der Kartuschenhalter (1) korrekt ausgerichtet ist, und drehen Sie ihn im Uhrzeigersinn, bis die Pfeilmarkierung am Gerät und das Verschlussymbol am Kartuschenhalter sich gegenüber liegen.
- ◆ Schieben Sie die Druckstange (4) nach vorn, bis sie die Rückseite der Kartusche berührt.

#### Entfernen der Dichtmittel- bzw. Klebstoffkartusche (Abb. C u. E)

- ◆ Geben Sie den Auslöser (5) frei, schalten Sie den Geschwindigkeitsregler (3) aus (0), und ziehen Sie die Druckstange (4) nach hinten.
- ◆ Drehen Sie den Kartuschenhalter (1) gegen den Uhrzeigersinn, und nehmen Sie ihn vom Gerät ab.
- ◆ Nehmen Sie die Kartusche aus dem Halter (1).

### Gebrauch

#### Ein- und Ausschalten (Abb. E)

- ◆ Stellen Sie den Geschwindigkeitsregler (3) aus der ausgeschalteten Position (0) in die Position für hohe Geschwindigkeit (II).
- ◆ Ziehen Sie am Auslöser (5), um mit dem Ausbringen des Dichtmittels bzw. Klebstoffs zu beginnen.
- ◆ Bewegen Sie den Geschwindigkeitsregler (3) in die Position für niedrige Geschwindigkeit (I), sobald das Material aus der Kartusche austritt und eine genaue Regulierung des Materialflusses erforderlich ist.
- ◆ Lassen Sie den Auslöser (5) los, um das Ausdrücken von Material aus der Kartusche zu stoppen. Schalten Sie den Geschwindigkeitsregler (3) aus (0).

#### Hinweise für optimale Funktion

Die Menge des ausfließenden Materials wird durch den Durchmesser der Öffnung, die Temperatur und den Materialtyp bestimmt.

Ziehen Sie mit gleichbleibender Kraft am Auslöser (5), um einen homogenen Materialfluss zu erreichen.

**Achtung!** Stellen Sie sicher, dass sich der Geschwindigkeitsregler (3) in der ausgeschalteten Position (0) befindet, bevor Sie Batterien einlegen, Einstellungen vornehmen oder das Gerät reinigen. Durch versehentliches Einschalten kann es zu Verletzungen kommen.

### Wartung

Ihr Black & Decker Gerät wurde im Hinblick auf eine lange Lebensdauer und einen möglichst geringen Wartungsaufwand entwickelt. Ein dauerhafter, einwandfreier Betrieb setzt eine regelmäßige Pflege und Reinigung voraus.

- ◆ Reinigen Sie regelmäßig das Motorgehäuse mit Hilfe eines feuchten Tuchs. Verwenden Sie keine scheuernden Reinigungsmittel oder Reinigungsmittel auf Lösungsmittelbasis. Achten Sie darauf, dass keine Flüssigkeit in das Gerät gelangt. Tauchen Sie kein Teil des Geräts in Flüssigkeit ein.
- ◆ Reinigen Sie den Kartuschenhalter und das Gerätegehäuse von Dicht- oder Klebstoffrückständen.

## Umweltschutz

### Getrennte Entsorgung



Dieses Produkt darf keinesfalls mit dem Hausmüll entsorgt werden.

Wenn Sie das Gerät durch ein neues Gerät ersetzen möchten oder keine Verwendung mehr dafür haben, denken Sie bitte an den Schutz der Umwelt. Black & Decker nimmt Ihre ausgedienten Black & Decker Geräte gern zurück und sorgt für eine umweltgerechte Entsorgung.



Durch die separate Sammlung von ausgedienten Produkten und Verpackungsmaterialien können Rohstoffe recycelt und wieder verwendet werden. Die Wiederverwendung aufbereiteter Materialien trägt zur Vermeidung der Umweltverschmutzung bei und senkt den Rohstoffbedarf.

Die Verordnung zur Abfallentsorgung Ihrer Gemeinde sieht möglicherweise vor, dass Elektrogeräte getrennt vom Hausmüll gesammelt, an der örtlichen Abfallentsorgungseinrichtung abgegeben oder beim Kauf eines neuen Produkts vom Fachhandel zur Entsorgung angenommen werden müssen.

Black & Decker nimmt Ihre ausgedienten Black & Decker-Geräte gern zurück und sorgt für eine umweltfreundliche Entsorgung bzw. Wiederverwertung. Um diese Dienstleistung in Anspruch zu nehmen, geben Sie das Gerät bitte bei einer autorisierten Reparaturwerkstatt ab, die für uns die Einsammlung übernimmt.

Die Adresse der zuständigen Niederlassung von Black & Decker steht in dieser Anleitung. Diese teilt Ihnen gerne die nächstgelegene Vertragswerkstatt mit. Außerdem ist eine Liste der Vertragswerkstätten und aller Kundendienststellen von Black & Decker sowie der zuständigen Ansprechpartner im Internet zu finden unter: [www.2helpU.com](http://www.2helpU.com).



Entsorgen Sie verbrauchte Batterien umweltgerecht. Entfernen Sie die verbrauchten Batterien aus dem Gerät, wie oben beschrieben.

- ◆ Verpacken Sie die Batterien in einem geeigneten Behälter, so dass die Batteriekontakte nicht kurzgeschlossen werden können.

- ◆ Bringen Sie alte Batterien zu einer Rücknahmestelle in Ihrer Nähe.

### Technische Daten

		CG100
Spannung	VDC	6
Leerlaufdrehzahl	mm/min	90 - 150
Batteriegröße	Typ	LR06 (AA)
Gewicht	g	950

## EU-Konformitätserklärung

CG100

Black & Decker erklärt, dass diese Produkte den folgenden Normen entsprechen:

98/37/EC, 89/336/EEC, EN 60745, EN 55014

LpA (Schalldruck): 61,6 dB(A)

LWA (Schallleistung): 72,6 dB(A)

Gewichtete Hand-Arm-Vibration: 0,18 m/s<sup>2</sup>,

KpA (Schalldruck-Unsicherheitswert): 3 dB(A)

KwA (Schallleistungs-Unsicherheitswert): 3 dB(A)

Kevin Hewitt

Director of Consumer Engineering  
Spennymoor, County Durham

DL16 6JG,

Vereinigtes Königreich

06.12.2006

## Garantie

Black & Decker vertraut auf die Qualität der eigenen Geräte und bietet dem Käufer eine außergewöhnliche Garantie. Diese Garantiezusage versteht sich unbeschadet der gesetzlichen Gewährleistungsansprüche und schränkt diese keinesfalls ein. Sie gilt in sämtlichen Mitgliedsstaaten der Europäischen Union und der Europäischen Freihandelszone EFTA.

Tritt innerhalb von 24 Monaten ab Kaufdatum an einem Gerät von Black & Decker ein auf Material- oder Verarbeitungsfehler zurückzuführender Mangel auf, garantiert Black & Decker den Austausch defekter Teile, die Reparatur von Geräten mit üblichem Verschleiß bzw. den Austausch eines mangelhaften Gerätes, ohne dass dem Kunden dabei mehr als unvermeidlich Unannehmlichkeiten entstehen, allerdings vorbehaltlich folgender Ausnahmen:

- ◆ wenn das Gerät gewerblich, beruflich oder im Verleihgeschäft benutzt wurde;
- ◆ wenn das Gerät missbräuchlich verwendet oder mit mangelnder Sorgfalt behandelt wurde;
- ◆ wenn das Gerät durch irgendwelche Fremdeinwirkung beschädigt wurde;

- ◆ wenn ein unbefugter Reparaturversuch durch anderes Personal als das einer Vertragswerkstatt oder des Black & Decker-Kundendienstes unternommen wurde.

Zur Inanspruchnahme dieser Garantie ist dem Verkäufer bzw. der Vertragswerkstatt ein Kaufnachweis vorzulegen. Die Adresse der zuständigen Niederlassung von Black & Decker steht in dieser Anleitung. Dort teilt man Ihnen gerne die nächstgelegene Vertragswerkstatt mit. Außerdem ist eine Liste der Vertragswerkstätten und aller Kundendienststellen von Black & Decker sowie der zuständigen Ansprechpartner im Internet zu finden unter:

**[www.2helpU.com](http://www.2helpU.com)**

Bitte besuchen Sie unsere Webseite

**[www.blackanddecker.de](http://www.blackanddecker.de)**, um Ihr neues Black & Decker-Produkt zu registrieren und über neue Produkte und Sonderangebote informiert zu werden. Weitere Informationen über die Marke Black & Decker und unsere Produkte finden Sie unter **[www.blackanddecker.de](http://www.blackanddecker.de)**.

## Utilisation

Votre pistolet à calfeutrer Black & Decker est conçu pour vous permettre d'utiliser les tubes de mastic, colle, joint et matériaux de calfeutrage. Cet outil a été conçu pour une utilisation exclusivement domestique.

## Consignes générales de sécurité

**Attention !** Lisez toutes les instructions. Le non-respect des instructions indiquées ci-dessous peut entraîner une électrocution, un incendie et/ou de graves blessures. La notion d'outil électroportatif mentionné par la suite se rapporte à des outils électriques raccordés au secteur (avec câble de raccordement) ou fonctionnant sur piles (sans fil).

CONSERVEZ PRÉCIEUSEMENT CES CONSIGNES DE SÉCURITÉ.

1. **Aire de travail**
  - a. **Maintenez la zone de travail propre et bien éclairée.** Un lieu de travail en désordre ou mal éclairé augmente le risque d'accidents.
  - b. **N'utilisez pas les outils électroportatifs dans un environnement présentant des risques d'explosion, ni en présence de liquides, gaz ou poussières inflammables.** Les outils électroportatifs génèrent des étincelles risquant d'enflammer les poussières ou les vapeurs.
  - c. **Tenez les enfants et autres personnes éloignés durant l'utilisation de l'outil électroportatif.** En cas d'inattention, vous risquez de perdre le contrôle sur l'appareil.
2. **Sécurité électrique**
  - a. **La prise de l'outil électroportatif doit convenir à la prise de courant. Ne modifiez en aucun cas la prise. N'utilisez pas de prises d'adaptateur avec des appareils ayant une prise de terre.** Le respect de ces consignes réduit le risque de choc électrique.
  - b. **Évitez le contact physique avec des surfaces mises à la terre telles que tuyaux, radiateurs, fours et réfrigérateurs.** Il y a un risque élevé de choc électrique si votre corps est relié à la terre.
  - c. **N'exposez pas l'outil électroportatif à la pluie ni à l'humidité.** La pénétration d'eau dans un outil électroportatif augmente le risque de choc électrique.
  - d. **Préservez le câble d'alimentation. N'utilisez pas le câble pour porter l'outil, pour l'accrocher ou encore pour le débrancher. Maintenez le câble éloigné des sources de chaleurs, des parties huilées, des bords tranchants ou des parties de l'appareil en rotation.** Le risque de choc électrique augmente si les câbles sont endommagés ou emmêlés.
- e. **Si vous utilisez l'outil électroportatif à l'extérieur, utilisez une rallonge homologuée pour utilisation à l'air libre.** L'utilisation d'une rallonge électrique homologuée pour les travaux à l'extérieur réduit le risque de choc électrique.
3. **Sécurité personnelle**
  - a. **Restez vigilant, surveillez ce que vous faites. Faites preuve de bon sens quand vous utilisez un outil électroportatif. Si vous êtes fatigué, si vous avez un traitement médical, si vous avez consommé de l'alcool ou pris des médicaments, n'utilisez pas cet outil.** Un moment d'inattention peut entraîner de graves blessures.
  - b. **Portez des équipements de protection. Portez toujours des lunettes de protection.** Le port d'équipements de protection tels que masque anti-poussières, chaussures de sécurité antidérapantes, casque ou protection auditive, selon le travail à effectuer, réduit le risque de blessures.
  - c. **Évitez une mise en route accidentelle. Avant de brancher l'appareil, vérifiez que le bouton marche/arrêt est en position (0).** Si vous transportez l'outil avec votre doigt sur le bouton marche/arrêt ou si vous le branchez avec le bouton marche/arrêt en position (I), il y a risque d'accident.
  - d. **Retirez tout outil ou clé de réglage avant de mettre l'outil en marche.** Une clé ou un outil se trouvant sur une partie en mouvement peut causer des blessures.
  - e. **Installez-vous confortablement. Adoptez une position stable et gardez en permanence votre équilibre.** Vous contrôlerez mieux l'outil dans des situations inattendues.
  - f. **Portez des vêtements appropriés. Ne pas porter de vêtements larges ou de bijoux. N'approchez pas les cheveux, vêtements ou gants des parties de l'appareil en mouvement.** Les vêtements amples, les bijoux ou les cheveux longs peuvent être attrapés dans les pièces en mouvement.
  - g. **Si des appareils servant à aspirer ou à recueillir les poussières doivent être utilisés, vérifiez-en le branchement et le fonctionnement.** L'utilisation de tels appareils réduit les dangers dus aux poussières.
4. **Utilisation des outils électroportatifs et précautions**
  - a. **Respectez la capacité de l'outil. Utilisez l'outil électroportatif approprié pour le travail à effectuer.** Avec un outil approprié, vous travaillerez mieux et en toute sécurité.
  - b. **N'utilisez pas un outil électroportatif dont le bouton est défectueux.** Un outil électroportatif qui ne peut plus être mis en ou hors fonction avec le bouton marche/arrêt est dangereux et doit être réparé.

- c. Retirez la prise avant d'effectuer des réglages sur l'outil, de changer les accessoires ou de ranger l'appareil.** Cette mesure de précaution empêche que l'outil ne se mette en marche accidentellement.
- d. Rangez les outils électroportatifs hors de portée des enfants. Les personnes ne connaissant pas l'outil ou n'ayant pas lu ces instructions ne doivent absolument pas l'utiliser.** Les outils électroportatifs sont dangereux lorsqu'ils sont utilisés par des personnes non initiées.
- e. Prenez soin des outils électroportatifs. Vérifiez que les parties en mouvement fonctionnent correctement et qu'elles ne sont pas coincées. Vérifiez qu'il n'y a pas de pièces cassées ou endommagées susceptibles de nuire au bon fonctionnement de l'outil. S'il est endommagé, faites réparer l'outil avant de l'utiliser.** De nombreux accidents sont le résultat d'un mauvais entretien.
- f. Maintenez les outils aiguisés et propres.** Des outils soigneusement entretenus avec des bords tranchants bien aiguisés se coincent moins souvent et peuvent être guidés plus facilement.
- g. Utilisez les outils électroportatifs, les accessoires, les outils rapportés, etc. en respectant ces instructions et en conformité avec ce type d'outils. Tenez compte également des conditions de travail et du travail à effectuer.** L'utilisation des outils électroportatifs à d'autres fins que celles prévues peut entraîner des situations dangereuses.

## 5. Réparations

- a. Faites réparer votre outil électroportatif uniquement par du personnel qualifié et seulement avec des pièces de rechange appropriées.** La fiabilité de l'outil sera ainsi maintenue.

### Consignes de sécurité supplémentaires applicables aux pistolets à calfeutrer

- \* **Éloignez les mains du piston et de la tige du pistolet à calfeutrer.** Vous risquez de vous coincer les doigts entre le support du tube et le piston.
- \* **Si le pistolet à calfeutrer est utilisé en hauteur, ne laissez pas la tige du piston près de vos yeux ou de votre tête.** La tige du piston peut glisser vers l'utilisateur. Pendant l'utilisation du pistolet à calfeutrer, portez toujours des lunettes de protection.
- \* **Lisez et suivez toujours les instructions du fabricant en ce qui concerne le mastic ou la colle.** Le non respect de cette consigne peut entraîner des blessures.
- \* **Travaillez toujours dans un endroit aéré et le cas échéant, portez un masque.** Les mastics et les colles peuvent dégager des émanations nocives.

- \* **Ne jamais faire fonctionner le pistolet à calfeutrer avec un tube de colle ou de mastic bouché.** Retirez les capuchons et assurez-vous que l'embout n'est pas bouché avant de l'utiliser.
- \* **Assurez-vous que le sélecteur de débit est en position avant d'insérer les piles,** d'effectuer des réglages ou de nettoyer l'appareil. L'appareil pourrait se mettre en marche et provoquer de blessures.

### Consignes de sécurité supplémentaires pour piles non-rechargeables

**Attention !** Les piles peuvent exploser ou couler et peuvent provoquer des blessures ou prendre feu. Pour réduire ce risque :

- \* **Assurez-vous que le sélecteur de débit est en position avant d'insérer les piles.** Le non respect de cette consigne peut entraîner des accidents.
- \* **En cas d'utilisation excessive, le liquide peut sortir de la pile. Évitez tout contact.** En cas de contact, rincez à l'eau. En cas de contact avec les yeux, consultez un médecin. Le liquide sortant des piles peut causer des irritations ou des brûlures.
- \* Suivez toutes les consignes et tous les avertissements sur l'étiquette et l'emballage de la pile.
- \* Insérez correctement les piles en tenant compte de la polarité (+ et -) indiquée sur la pile et l'appareil.
- \* Ne court-circuitez pas les pôles de pile.
- \* Ne chargez pas les piles.
- \* Ne mélangez pas des piles neuves et usées. Remplacez-les toutes en même temps par de nouvelles piles de la même marque et du même type.
- \* Laissez les piles hors de portée des enfants.
- \* Retirez les piles si l'appareil n'est pas utilisé pendant plusieurs mois.
- \* En aucun cas, n'essayez d'ouvrir l'appareil.
- \* Ne le rangez pas dans des endroits où la température peut dépasser 40 °C.
- \* Pour jeter les piles, suivez les instructions données dans la section "Protection de l'environnement".
- \* Ne jetez pas les piles au feu.

### Caractéristiques

1. Support du tube
2. Tige d'ouverture
3. Sélecteur de débit
4. Tige de piston
5. Déclencheur
6. Boîtier des piles
7. Cordon

## Assemblage

### Installation des piles (figure A)

**Attention !** N'utilisez que des piles AA. N'utilisez que des piles alcalines.

- \* Glissez le couvercle du boîtier (6) vers l'avant pour l'ouvrir.
- \* Insérez quatre piles alcalines AA neuves (8), en faisant correspondre correctement les pôles positifs (+) et négatifs (-).
- \* Fermez le couvercle du boîtier (6) et glissez-le vers l'arrière pour le verrouiller.

### Préparation du tube de mastic ou de colle (figure B)

- \* Suivez les recommandations du fabricant pour sélectionner le mastic ou la colle qui s'adapte le mieux au travail.
- \* Coupez l'extrémité du tube en angle. Plus vous coupez près de l'embout, plus l'ouverture sera étroite. Plus l'ouverture est étroite, plus le bourrelet est fin.
- \* La tige d'ouverture (2) se trouve dans le support (1) et peut être utilisée pour percer le capuchon à l'intérieur du tube ou pour éliminer les morceaux qui bloquent un tube partiellement utilisé.

Assurez-vous que le capuchon est percé et que l'embout est débouché avant l'utilisation. Si cette consigne n'est pas respectée, le tube risque de s'ouvrir à l'arrière du pistolet.

### Installation du tube de mastic ou de colle (figure C et D)

- \* Tirez la tige du piston (4) suffisamment en arrière pour insérer le tube dans le support (1).
- \* Tournez le support (1) dans le sens contraire des aiguilles d'une montre et retirez-le du logement principal.
- \* Insérez le tube de colle ou de mastic dans le support (1).
- \* Insérez le support (1) dans le logement principal. Vérifiez l'alignement du support (1) et tournez-le dans le sens des aiguilles d'une montre jusqu'à ce que la flèche sur le logement principal soit alignée au repère du support (1).
- \* Poussez la tige du piston (4) vers l'avant jusqu'à ce qu'elle touche l'arrière du tube.

### Retrait du tube de mastic ou de colle (figure C et E)

- \* Relâchez le déclencheur (5), réglez la vitesse du sélecteur (3) en position (0) et tirez la tige du piston (4) vers l'arrière.
- \* Tournez le support (1) dans le sens contraire des aiguilles d'une montre et retirez-le du logement principal.
- \* Retirez le tube du support (1).

## Utilisation

### Mise en marche et arrêt (figure E)

- \* Déplacez le sélecteur de débit (3) de la position (0) à la position de débit maximum (II).
- \* Appuyez sur le déclencheur (5) pour commencer à appliquer la colle ou le mastic.

- \* Quand la colle ou le mastic commence à sortir du tube, déplacez le sélecteur (3) en débit faible (I) pour contrôler le débit plus facilement.
- \* Relâcher le déclencheur (5) pour arrêter la sortie du produit. Sélectionnez (0) sur le sélecteur (3).

### Conseils pour une utilisation optimale

Le débit dépend du diamètre de l'embout, de la température et du type de produit utilisé.

Appuyez sur le déclencheur (5) de manière régulière pour obtenir un bourrelet uniforme et un débit régulier.

**Attention !** Assurez-vous que le sélecteur de débit (3) est en position (0) avant d'insérer les piles, d'effectuer des réglages ou de nettoyer l'appareil. L'appareil pourrait se mettre en marche et provoquer de blessures.

## Entretien

Votre appareil Black & Decker a été conçu pour fonctionner pendant longtemps avec un minimum d'entretien. Un fonctionnement continu satisfaisant dépend d'un nettoyage régulier et d'un entretien approprié de l'outil.

- \* Nettoyez régulièrement le compartiment du moteur à l'aide d'un chiffon humide. N'utilisez pas de produit abrasif ou à base de solvant. Évitez toute pénétration de liquide dans l'outil et ne plongez aucune pièce dans du liquide.
- \* Nettoyez la colle ou le mastic sur le support du tube et le logement principal.

## Protection de l'environnement

### Recyclage



Cet outil ne doit pas être jeté avec les déchets ménagers.

Si vous désirez remplacer cet outil ou si vous ne l'utilisez plus, songez à la protection de l'environnement. Les réparateurs agréés Black & Decker accepteront la collecte d'anciens outils Black & Decker et veilleront à ce que leur mise au rebut ne porte pas atteinte à l'environnement.



La collecte séparée des produits et des emballages usagés permet de recycler et de réutiliser des matériaux. La réutilisation de matériaux recyclés évite la pollution de l'environnement et réduit la demande de matières premières.

Des réglementations locales peuvent stipuler la collecte séparée des produits électriques et des produits ménagers, dans des déchetteries municipales ou par le revendeur lorsque vous achetez un nouveau produit.

Black & Decker fournit un dispositif permettant de recycler les produits Black & Decker lorsqu'ils ont atteint la fin de leur cycle de vie. Pour pouvoir profiter de ce service, veuillez retourner votre produit à un réparateur agréé qui se chargera de le collecter pour nous.

Pour connaître l'adresse du réparateur agréé le plus proche de chez vous, contactez le bureau Black & Decker à l'adresse indiquée dans ce manuel. Vous pourrez aussi trouver une liste de réparateurs agréés de Black & Decker et de plus amples détails concernant notre service après-vente sur le site Internet : [www.2helpU.com](http://www.2helpU.com).



Quand les piles sont hors d'usage, jetez-les en conformité avec la protection de l'environnement. Retirez les piles, comme décrit ci-dessus.

- \* Placez les piles dans un emballage approprié pour éviter un court-circuit.
- \* Jetez les piles dans un centre de recyclage local.

### Caractéristiques techniques

		CG100
Tension	V c.c.	6
Aucune vitesse de charge	mm/min	90 - 150
Piles	Type	LR06 (AA)
Poids	g	950

## Déclaration de conformité CE

CG100

Black & Decker déclare que ces produits sont conformes à :

98/37/EC, 89/336/CEE, EN 60745, EN 55014

LpA (pression sonore) 61,6 dB(A),

LWA (puissance acoustique) 72,6 dB(A),

vibration pondérée sur la main/le bras : 0,18 m/s<sup>2</sup>,

Kpa (incertitude de la pression sonore) 3 dB(A),

Kwa (incertitude de la puissance acoustique) 3 dB(A),

Si un produit Black & Decker s'avère défectueux en raison de matériaux en mauvais état, d'une erreur humaine, ou d'un manque de conformité dans les 24 mois suivant la date d'achat, Black & Decker garantit le remplacement des pièces défectueuses, la réparation des produits usés ou cassés ou remplace ces produits à la convenance du client, sauf dans les circonstances suivantes :

- \* Le produit a été utilisé dans un but commercial, professionnel, ou a été loué.
- \* Le produit a été mal utilisé ou avec négligence.
- \* Le produit a subi des dommages à cause de corps étrangers, de substances ou d'accidents.
- \* Des réparations ont été tentées par des techniciens ne faisant pas partie du service technique de Black & Decker.

Pour avoir recours à la garantie, il est nécessaire de fournir une preuve d'achat au vendeur ou à un réparateur agréé. Pour connaître l'adresse du réparateur agréé le plus proche de chez vous, contactez le bureau Black & Decker à l'adresse indiquée dans ce manuel. Vous pourrez aussi trouver une liste de réparateurs agréés de Black & Decker et de plus amples détails concernant notre service après-vente sur le site Internet : [www.2helpU.com](http://www.2helpU.com)

Visitez notre site Web [www.blackanddecker.fr](http://www.blackanddecker.fr) pour enregistrer votre nouveau produit Black & Decker et être informé des nouveaux produits et des offres spéciales. Pour plus d'informations concernant la marque Black & Decker et notre gamme de produits, consultez notre site [www.blackanddecker.fr](http://www.blackanddecker.fr).

Kevin Hewitt  
 Directeur Ingénierie Client  
 Spennymoor, County Durham  
 DL16 6JG,  
 Royaume-Uni  
 06-12-2006

## Garantie

Black & Decker vous assure la qualité de ses produits et vous offre une garantie très étendue. Ce certificat de garantie est un document supplémentaire et ne peut en aucun cas se substituer à vos droits légaux. La garantie est valable sur tout le territoire des États Membres de l'Union Européenne et de la Zone de Libre Échange Européenne.

## Usò previsto

La pistola per tubi Black & Decker è stata progettata per facilitare l'applicazione di materiali adesivi, sigillanti, per calafataggio e stucchi contenuti in tubi. L'elettrotensile non è destinato all'utilizzo professionale.

## Norme generiche di sicurezza

**Attenzione!** Leggere tutte le istruzioni. La mancata osservanza delle presenti istruzioni potrebbe causare scosse elettriche, incendi e/o infortuni gravi. Il termine "elettrotensile" che ricorre in tutte le avvertenze seguenti si riferisce ad utensili elettrici con o senza filo.

CONSERVARE QUESTE ISTRUZIONI.

### 1. Area di lavoro

- a. **Mantenere pulita e bene illuminata l'area di lavoro.** Il disordine e la scarsa illuminazione possono causare incidenti.
- b. **Evitare d'impiegare gli elettrotensili in ambienti esposti al rischio di esplosione, ad esempio in presenza di liquidi, gas o polveri infiammabili.** Gli elettrotensili producono scintille che possono far incendiare la polvere o i fumi.
- c. **Mantenere lontani bambini e osservatori mentre si usa l'elettrotensile.** Eventuali distrazioni possono comportare la perdita del controllo dell'elettrotensile.

### 2. Sicurezza elettrica

- a. **Le spine elettriche degli elettrotensili devono essere adatte alla presa. Evitare assolutamente di modificare la spina. Non impiegare spine adattatrici con elettrotensili provvisti di messa a terra.** L'uso di spine inalterate e delle prese corrispondenti riduce il rischio di scosse elettriche.
- b. **Evitare il contatto fisico con superfici collegate a terra, come tubi, radiatori, forni e frigoriferi:** un corpo collegato a terra è esposto maggiormente al rischio di scosse elettriche.
- c. **Custodire gli elettrotensili al riparo dalla pioggia o dall'umidità.** L'eventuale infiltrazione di acqua in un elettrotensile va ad aumentare il rischio di scosse elettriche.
- d. **Non esporre il cavo a sollecitazioni. Non usare il cavo per trasportare o trainare l'elettrotensile e non tirarlo per estrarre la spina dalla presa di corrente. Mantenere il cavo al riparo dal calore, da bordi taglienti e/o da parti in movimento.** I cavi danneggiati o aggrovigliati aumentano il rischio di scosse elettriche.
- e. **Se l'elettrotensile viene adoperato all'aperto, usare esclusivamente prolunghie omologate per l'impiego all'esterno.** Un cavo adatto per uso esterno riduce il rischio di scosse elettriche.

### 3. Sicurezza delle persone

- a. **È importante concentrarsi su ciò che si sta facendo e maneggiare con giudizio l'elettrotensile. Non adoperare l'elettrotensile se si è stanchi o sotto l'effetto di stupefacenti, alcol o farmaci.** Un attimo di distrazione può causare gravi infortuni personali.
  - b. **Indossare sempre un equipaggiamento protettivo. Indossare sempre degli occhiali di sicurezza.** Se si ha cura d'indossare un equipaggiamento protettivo appropriato - ad esempio una maschera antipolvere, delle calzature antiscivolo, un casco o delle otoprotezioni - si riduce il rischio di infortuni.
  - c. **Evitare l'accensione involontaria dell'elettrotensile. Prima d'inserire la spina nella presa, controllare che l'interruttore sia spento.** Per non esporsi al rischio d'incidenti, non trasportare gli elettrotensili tenendo le dita sull'interruttore oppure, se sono collegati all'alimentazione, con l'interruttore acceso.
  - d. **Prima di accendere un elettrotensile, togliere eventuali chiavi o attrezzi di regolazione.** Un utensile o una chiave inglese lasciati in un componente mobile dell'elettrotensile possono causare lesioni.
  - e. **Non protendersi troppo in avanti. Mantenere sempre un buon equilibrio evitando posizioni malsicure.** In questo modo è possibile controllare meglio l'elettrotensile in situazioni inaspettate.
  - f. **Vestirsi adeguatamente. Evitare di indossare indumenti larghi o gioielli. Tenere capelli, vestiti e guanti lontani da pezzi in movimento.** Vestiti larghi, gioielli o capelli lunghi potranno impigliarsi nei componenti in movimento.
  - g. **Se gli utensili sono provvisti di attacchi per il collegamento di dispositivi di aspirazione o di raccolta della polvere, assicurarsi che questi siano installati e utilizzati correttamente.** L'impiego dei suddetti dispositivi diminuisce i rischi correlati alle polveri.
- ### 4. Uso e cura degli elettrotensili
- a. **Non sovraccaricare l'elettrotensile. Usare l'elettrotensile adatto per il lavoro da eseguire.** Utilizzando l'elettrotensile adatto si potrà lavorare meglio e con maggiore sicurezza alla potenza nominale prevista.
  - b. **Non utilizzare elettrotensili con interruttori difettosi.** Un elettrotensile che non può essere controllato mediante l'interruttore è pericoloso e deve essere riparato.
  - c. **Estrarre la spina dalla presa di corrente prima di regolare l'elettrotensile, di sostituire gli accessori o di riporre l'elettrotensile.** Queste precauzioni di sicurezza riducono le possibilità che l'elettrotensile venga messo in funzione inavvertitamente.



- d. **Quando non vengono usati, gli elettroutensili vanno custoditi fuori della portata dei bambini. Non consentire l'uso dell'elettroutensile a persone inesperte o che non abbiano letto le presenti istruzioni, onde evitare pericoli.**
- e. **Sottoporre gli elettroutensili alle procedure di manutenzione del caso. Verificare che le parti mobili siano bene allineate e non inceppate, che non vi siano componenti rotti e che non sussistano altre condizioni che possono compromettere il funzionamento dell'elettroutensile. Eventuali guasti vanno riparati prima dell'uso.** La scarsa manutenzione causa molti incidenti.
- f. **Mantenere affilati e puliti gli strumenti da taglio.** Se sottoposti alla giusta manutenzione, gli strumenti da taglio con taglienti affilati s'inceppano meno frequentemente e sono più facili da manovrare.
- g. **Utilizzare l'elettroutensile, gli accessori, le punte ecc. in conformità delle presenti istruzioni e secondo la specifica destinazione prevista, tenendo conto delle condizioni di lavoro e del lavoro da completare.** L'impiego degli elettroutensili per usi diversi da quelli consentiti può dar luogo a situazioni pericolose.

## 5. Riparazioni

- a. **Fare riparare l'elettroutensile solo ed esclusivamente da personale specializzato e solo impiegando pezzi di ricambio originali, onde non alterarne la sicurezza.**

### Ulteriori istruzioni di sicurezza per la pistola per tubi

- ◆ **Tenere le mani lontane dalla zona dell'asta e dello stantuffo della pistola per tubi.** È possibile schiacciarsi le dita tra la guida del tubo e lo stantuffo.
- ◆ **Quando si usa la pistola per tubi in posizione sopraelevata, non tenere l'asta dello stantuffo direttamente sopra gli occhi o la testa,** dato che potrebbe scivolare indietro verso l'utente. Indossare sempre occhiali protettivi quando si usa una pistola per tubi.
- ◆ **Leggere e osservare sempre tutte le istruzioni del fabbricante relative al materiale per calafataggio o all'adesivo.** La mancata osservanza di queste istruzioni potrebbe causare lesioni personali.
- ◆ **Lavorare sempre in zone adeguatamente ventilate e indossare un respiratore idoneo se necessario.** I fumi esalati da certi materiali per calafataggio o da adesivi possono essere nocivi.
- ◆ **Non azionare la pistola per tubi con un tubo per calafataggio o di adesivo sigillato.** Prima dell'uso eliminare sempre i sigilli e verificare che l'ugello non sia intasato.

- ◆ **Verificare che il selettore della velocità sia spento prima di inserire le batterie** e di eseguire regolazioni o la pulitura. L'avviamento accidentale potrebbe causare lesioni.

### Istruzioni di sicurezza supplementari per le batterie non ricaricabili

**Attenzione!** Le batterie possono esplodere o perdere e causare lesioni o incendi. Accorgimenti per ridurre questo rischio:

- ◆ **Verificare che il selettore di velocità sia spento prima di inserire la batteria o le batterie.** L'inserimento delle batterie in elettroutensili ed elettrodomestici accesi provoca incidenti.
- ◆ **A seguito di un uso improprio, la batteria potrebbe espellere del liquido; evitare ogni contatto.** In caso di contatto accidentale, lavare con acqua. Se il liquido viene a contatto degli occhi, rivolgersi anche a un medico. Il liquido espulso dalla batteria potrebbe causare irritazioni o ustioni.
- ◆ Seguire con attenzione tutte le istruzioni e le avvertenze sull'etichetta e sulla confezione della batteria.
- ◆ Inserire sempre correttamente le batterie rispettando la polarità (+ e -) indicata sulla batteria e sull'elettroutensile.
- ◆ Non cortocircuitare i morsetti della batteria.
- ◆ Non ricaricare le batterie.
- ◆ Non mischiare le batterie vecchie con le nuove. Sostituirle tutte contemporaneamente con batterie nuove della medesima marca e tipo.
- ◆ Tenere le batterie fuori dalla portata dei bambini.
- ◆ Estrarre le batterie se l'utensile non deve essere usato per parecchi mesi.
- ◆ Non tentare di aprirle per qualsiasi ragione.
- ◆ Non riporle in luoghi dove la temperatura potrebbe superare i 40 °C.
- ◆ Quando si smaltiscono le batterie, seguire le istruzioni riportate al capitolo "Protezione dell'ambiente".
- ◆ Non incenerire le batterie.

### Caratteristiche

1. Guida per il tubo
2. Rompisigillo
3. Selettore velocità
4. Asta stantuffo
5. Interruttore a grilletto
6. Vano batterie
7. Cordino

## Assemblaggio

### Inserimento delle batterie (fig. A)

**Attenzione!** Usare solo batterie di tipo AA. Usare solo batterie alcaline.

- ◆ Far scorrere in avanti il coperchio del vano batterie (6) per aprirlo.

- ◆ Inserire quattro nuove batterie alcaline AA (8) accertandosi di abbinare correttamente i poli positivo (+) e negativo (-).
- ◆ Chiudere il coperchio del vano batterie (6) e farlo scorrere indietro per bloccarlo in sede.

### Preparazione del tubo di adesivo o per calafataggio (fig. B)

- ◆ Seguire i consigli del fabbricante per scegliere il materiale per calafataggio o l'adesivo adatti al lavoro da eseguire.
- ◆ Tagliare angolarmente l'ugello del tubo. Tanto più vicino alla punta è il taglio, quanto più stretta sarà l'apertura. E tanto più piccola è l'apertura, quanto più sottile sarà la striscia di materiale per calafataggio.
- ◆ Il rompisigillo (2) si trova sulla guida per il tubo (1) e può essere usato per forare il sigillo interno del tubo o per eliminare intasamenti da un tubo parzialmente usato.

Prima dell'uso, verificare che il sigillo sia stato forato e che l'ugello non sia intasato. In caso contrario il materiale potrebbe essere forzato ad uscire dal retro della pistola.

### Montaggio del tubo di adesivo o per calafataggio (figg. C e D)

- ◆ Tirare indietro l'asta dello stantuffo (4) quanto basta a poter inserire il tubo nell'apposita guida (1).
- ◆ Ruotare in senso antiorario la guida del tubo (1) e staccarla dall'alloggiamento principale.
- ◆ Inserire il tubo di adesivo o per calafataggio nella rispettiva guida (1).
- ◆ Inserire la guida del tubo (1) nell'alloggiamento principale. Accertarsi che la guida del tubo (1) sia allineata correttamente e ruotarla in senso orario fino a quando la freccia sull'alloggiamento principale è allineata con la figura del lucchetto sulla guida del tubo (1).
- ◆ Premere in avanti lo stantuffo dell'asta (4) fino a quando poggia contro la parte posteriore del tubo.

### Estrazione del tubo di adesivo o per calafataggio (figg. C ed E)

- ◆ Rilasciare l'interruttore a grilletto (5), regolare il selettore della velocità (3) su spento (0) e tirare indietro l'asta dello stantuffo (4).
- ◆ Ruotare in senso antiorario la guida del tubo (1) e staccarla dall'alloggiamento principale.
- ◆ Estrarre il tubo dalla guida (1).

## Utilizzo

### Accensione e spegnimento (fig. E)

- ◆ Spostare il selettore della velocità (3) da spento (0) alla velocità massima (II).
- ◆ Premere l'interruttore a grilletto (5) per incominciare a distribuire l'adesivo o il materiale per calafataggio.

- ◆ Non appena il materiale comincia ad uscire dal tubo, spostare il selettore della velocità (3) sulla posizione minima (I) se si desidera controllare maggiormente il flusso del materiale.
- ◆ Rilasciare l'interruttore a grilletto (5) per interrompere la distribuzione di materiale dal tubo. Regolare il selettore della velocità (3) su spento (0).

### Consigli per un utilizzo ottimale

Il diametro dell'ugello, la temperatura e il tipo di materiale usato influiscono sulla portata.

Premere l'interruttore a grilletto (5) a un ritmo costante per ottenere una striscia e una distribuzione del materiale più uniformi.

**Attenzione!** Verificare che il selettore della velocità (3) sia spento (0) prima di inserire le batterie e di eseguire regolazioni o la pulitura. L'avviamento accidentale potrebbe causare lesioni.

## Manutenzione

Questo elettrotensile Black & Decker è stato progettato per funzionare a lungo con un minimo di manutenzione. Per ottenere prestazioni sempre soddisfacenti occorre avere cura dell'elettrotensile e sottoporlo a manutenzione periodica.

- ◆ Il vano del motore deve essere pulito regolarmente con un panno umido. Non usare materiali abrasivi o detersivi a base di solventi. Evitare la penetrazione di liquidi all'interno dell'elettrotensile e non immergere mai nessuna parte dello stesso in sostanze liquide.
- ◆ Eliminare l'adesivo o il materiale per calafataggio dalla guida del tubo e dall'alloggiamento principale.

## Protezione dell'ambiente

### Raccolta differenziata



Questo prodotto non deve essere smaltito con i normali rifiuti domestici.

Nel caso in cui l'elettrotensile debba essere sostituito o comunque non sia più necessario, agire nel rispetto dell'ambiente. È infatti possibile restituirlo al rivenditore Black & Decker che provvederà a smaltirlo in modo sicuro per l'ambiente.



La raccolta differenziata dei prodotti e degli imballaggi utilizzati consente il riciclaggio dei materiali e il loro continuo utilizzo. Il riutilizzo dei materiali riciclati favorisce la protezione dell'ambiente prevenendo l'inquinamento e riduce il fabbisogno di materie prime.

Seguire la regolamentazione locale per la raccolta differenziata dei prodotti elettrici che può prevedere punti di raccolta o la consegna dell'elettrodomestico al rivenditore presso il quale viene acquistato un nuovo prodotto.

Black & Decker offre ai suoi clienti la possibilità di riciclare i prodotti Black & Decker che hanno esaurito la loro vita di servizio. Per usufruire di tale servizio, è sufficiente restituire il prodotto a qualsiasi tecnico autorizzato, incaricato della raccolta per conto dell'azienda.

Per individuare il tecnico autorizzato più vicino, rivolgersi alla sede Black & Decker locale, presso il recapito indicato nel presente manuale. In alternativa, un elenco completo di tutti i tecnici autorizzati Black & Decker e i dettagli completi sui contatti e i servizi post-vendita sono disponibili su Internet presso: [www.2helpU.com](http://www.2helpU.com).



Alla fine della loro vita utile, smaltire le batterie in conformità alle norme ambientali. Estrarre le batterie come descritto in precedenza.

- ◆ Imballare le batterie in modo idoneo per evitare che i terminali possano essere cortocircuitati.
- ◆ Consegnarle al centro di riciclaggio di zona.

#### Dati tecnici

		CG100
Tensione	V c.c.	6
Regime a vuoto	mm/min	90 - 150
Misura batterie	Tipo	LR06 (AA)
Peso	g	950

### Dichiarazione CE di conformità

CG100

Black & Decker dichiara che i presenti prodotti sono conformi alle normative:

98/37/CE, 89/336/CEE, EN 60745, EN 55014, EN61000

LpA (pressione sonora) 61,6 dB(A),

LWA (potenza acustica) 72,6 dB(A),

Vibrazione misurata su braccio/mano 0,18 m/s<sup>2</sup>,

Kpa (incertezza sulla pressione sonora 3 dB(A),

Kwa (incertezza sulla potenza acustica 3 dB(A),

Kevin Hewitt  
Direttore tecnico prodotti di  
consumo  
Spennymoor, County Durham  
DL16 6JG,  
Regno Unito  
06-12-2006

## Garanzia

Certa della qualità dei suoi prodotti, Black & Decker offre una garanzia eccezionale. Il presente certificato di garanzia è complementare ai diritti legali e non li pregiudica in alcun modo. La garanzia è valida entro il territorio degli Stati membri dell'Unione Europea e dell'EFTA (European Free Trade Area).

Se un prodotto Black & Decker risulta difettoso per qualità del materiale, della costruzione o per mancata conformità entro 24 mesi dalla data di acquisto, Black & Decker garantisce la sostituzione delle parti difettose, provvede alla riparazione dei prodotti se ragionevolmente usurati oppure alla loro sostituzione, in modo da ridurre al minimo il disagio del cliente a meno che:

- ◆ Il prodotto non sia stato destinato ad usi commerciali, professionali o al noleggio;
- ◆ Il prodotto non sia stato usato in modo improprio o scorretto;
- ◆ Il prodotto non abbia subito danni causati da oggetti o sostanze estranee oppure incidenti;
- ◆ Il prodotto non abbia subito tentativi di riparazione non effettuati da tecnici autorizzati né dall'assistenza Black & Decker.

Per attivare la garanzia è necessario esibire la prova di acquisto al venditore o al tecnico autorizzato. Per individuare il tecnico autorizzato più vicino, rivolgersi alla sede Black & Decker locale, presso il recapito indicato nel presente manuale. Altrimenti un elenco completo di tutti i tecnici autorizzati Black & Decker e i dettagli completi sui contatti e i servizi post-vendita sono disponibili su Internet presso:

[www.2helpU.com](http://www.2helpU.com)

I clienti che desiderano registrare il nuovo prodotto Black & Decker e ricevere gli aggiornamenti sui nuovi prodotti e le offerte speciali, sono invitati a visitare il sito Web ([www.blackanddecker.it](http://www.blackanddecker.it)). Ulteriori informazioni sul marchio e la gamma di prodotti Black & Decker sono disponibili all'indirizzo [www.blackanddecker.it](http://www.blackanddecker.it).

## Beoogd gebruik

Het dichtingspistool van Black & Decker is ontworpen om te helpen met de toepassing van dichtingsmiddelen, lijm, afdichtingsmiddelen en vulmateriaal vanuit kokers. Dit gereedschap is uitsluitend bestemd voor consumentengebruik.

## Algemene veiligheidsvoorschriften

**Waarschuwing!** Lees alle voorschriften. Wanneer de volgende voorschriften niet in acht worden genomen, kan dit een elektrische schok, brand en/of ernstig letsel tot gevolg hebben. Het hierna gebruikte begrip 'elektrisch gereedschap' heeft betrekking op elektrische gereedschappen voor gebruik op de netspanning (met netsnoer) of op accu (snoerloos).

BEWAAR DEZE VOORSCHRIFTEN GOED.

1. **Werkomgeving**
  - a. **Houd uw werkomgeving schoon en opgeruimd.** Een rommelige of onverlichte werkomgeving kan tot ongevallen leiden.
  - b. **Gebruik elektrisch gereedschap niet in een omgeving met explosiegevaar, zoals in de nabijheid van brandbare vloeistoffen, gassen of stof.** Elektrisch gereedschap veroorzaakt vonken die het stof of de dampen tot ontsteking kunnen brengen.
  - c. **Houd kinderen en andere personen tijdens het gebruik van elektrisch gereedschap uit de buurt.** Wanneer u wordt afgeleid, kunt u de controle over het gereedschap verliezen.
2. **Elektrische veiligheid**
  - a. **De netstekker van het gereedschap moet in het stopcontact passen. De stekker mag in geen geval worden omgebouwd. Gebruik geen adapterstekkers in combinatie met geaarde gereedschappen.** Niet omgebouwde stekkers en passende stopcontacten beperken het risico van een elektrische schok.
  - b. **Vermijd aanraking van het lichaam met geaarde oppervlakken, bijvoorbeeld buizen, verwarmingen, fornuizen en koelkasten.** Er bestaat een verhoogd risico op een elektrische schok wanneer uw lichaam geaard is.
  - c. **Houd het gereedschap uit de buurt van regen en vocht.** Het binnendringen van water in het elektrische gereedschap vergroot het risico van een elektrische schok.
  - d. **Gebruik het snoer niet voor een verkeerd doel. Gebruik het snoer niet om het gereedschap te dragen of op te hangen of om de stekker uit het stopcontact te trekken. Houd het snoer uit de buurt van hitte, olie, scherpe randen of bewegende delen.** Beschadigde of in de war geraakte snoeren vergroten het risico van een elektrische schok.
- e. **Wanneer u buitenshuis met elektrisch gereedschap werkt, dient u alleen verlengsnoeren te gebruiken die zijn goedgekeurd voor gebruik buitenshuis.** Het gebruik van een verlengsnoer dat geschikt is voor gebruik buitenshuis beperkt het risico van een elektrische schok.
3. **Veiligheid van personen**
  - a. **Wees alert, let goed op wat u doet en ga verstandig te werk bij het gebruik van elektrisch gereedschap. Gebruik elektrisch gereedschap niet wanneer u moebent of onder invloed van drugs, alcohol of medicijnen.** Een moment van onoplettendheid bij het gebruik van het gereedschap kan leiden tot ernstige verwondingen.
  - b. **Draag persoonlijke beschermende uitrusting. Draag altijd een veiligheidsbril.** Het dragen van persoonlijke beschermende uitrusting zoals een stofmasker, slipvaste werkschoenen, een veiligheidshelm of gehoorbescherming, afhankelijk van de aard en het gebruik van het elektrische gereedschap, vermindert het risico van verwondingen.
  - c. **Voorkom ongewenste inschakeling. Controleer of de schakelaar in de uit-stand staat voordat u de stekker in het stopcontact steekt.** Wanneer u bij het dragen van het gereedschap uw vinger op de schakelaar hebt of wanneer u het gereedschap ingeschakeld op de stroomvoorziening aansluit, kan dit tot ongevallen leiden.
  - d. **Verwijder regel- of schroefslutels voordat u het gereedschap inschakelt.** Een regel- of schroefslutel in een draaiend deel van het gereedschap kan tot verwondingen leiden.
  - e. **Reik niet te ver. Zorg altijd dat u stevig en in evenwicht staat.** Daardoor kunt u het gereedschap beter onder controle houden in onverwachte situaties.
  - f. **Draag geschikte kleding. Draag geen loshangende kleding of sieraden. Houd haren, kleding en handschoenen uit de buurt van bewegende delen.** Loshangende kleding, sieraden en lange haren kunnen door bewegende delen worden meegenomen.
  - g. **Wanneer stofafzuigings- of stofopvangvoorzieningen kunnen worden gemonteerd, dient u zich ervan te verzekeren dat deze zijn aangesloten en juist worden gebruikt.** Het gebruik van deze voorzieningen beperkt het gevaar door stof.
4. **Gebruik en onderhoud van elektrisch gereedschap**
  - a. **Overbelast het gereedschap niet. Gebruik voor uw toepassing het daarvoor bestemde elektrische gereedschap.** Met het passende elektrische gereedschap werkt u beter en veiliger binnen het aangegeven capaciteitsbereik.

- b. **Gebruik geen elektrisch gereedschap waarvan de schakelaar defect is.** Elektrisch gereedschap dat niet meer kan worden in- of uitgeschakeld, is gevaarlijk en moet worden gerepareerd.
  - c. **Trek de stekker uit het stopcontact voordat u het gereedschap instelt, toebehoren wisselt of het gereedschap weglegt.** Deze voorzorgsmaatregel voorkomt onbedoeld starten van het gereedschap.
  - d. **Bewaar niet-gebruikte elektrische gereedschappen buiten bereik van kinderen. Laat het gereedschap niet gebruiken door personen die er niet vertrouwd mee zijn en deze aanwijzingen niet hebben gelezen.** Elektrische gereedschappen zijn gevaarlijk wanneer deze door onervaren personen worden gebruikt.
  - e. **Onderhoud het gereedschap zorgvuldig. Controleer of bewegende delen van het gereedschap correct functioneren en niet vastklemmen en of onderdelen zodanig zijn gebroken of beschadigd dat de werking van het gereedschap nadelig wordt beïnvloed. Laat beschadigde delen repareren voordat u het gereedschap gebruikt.** Veel ongevallen worden veroorzaakt door slecht onderhouden elektrisch gereedschap.
  - f. **Houd snijgereedschap scherp en schoon.** Zorgvuldig onderhouden snijgereedschap met scherpe snijkanten klemt minder snel en is gemakkelijker te geleiden.
  - g. **Gebruik elektrische gereedschappen, toebehoren, gereedschapselementen en dergelijke volgens deze aanwijzingen en zoals voor dit speciale gereedschapstype is voorgeschreven. Let daarbij op de arbeidsomstandigheden en de uit te voeren werkzaamheden.** Het gebruik van elektrische gereedschappen voor andere dan de voorziene toepassingen kan leiden tot gevaarlijke situaties.
- 5. Service**
- a. **Laat het gereedschap alleen repareren door gekwalificeerd en vakkundig personeel en alleen met originele vervangingsonderdelen.** Daarmee wordt de veiligheid van het gereedschap gewaarborgd.

#### Aanvullende veiligheidsinstructies voor het dichtingspistool

- ◆ **Houd uw handen uit de buurt van de pluiner en de staaf van het dichtingspistool.** Vingers kunnen worden verbrijzeld tussen de kokerhouder en de pluiner.
- ◆ **Wanneer u het dichtingspistool boven uw hoofd gebruikt, mag de pluinerstaaf niet in het pad van uw ogen of hoofd komen.** De pluinerstaaf kan terugglippen in de richting van de gebruiker. Draag altijd een veiligheidsbril als u het dichtingspistool gebruikt.

- ◆ **Lees altijd alle instructies van de fabrikant met betrekking tot dichtingsmiddelen of lijm en volg deze op.** Als u dat niet doet, kan dat tot letsel leiden.
- ◆ **Werk altijd in een goed eventileerde ruimte en draag goede ademhalingsbeveiliging, indien nodig.** Dampen van sommige dichtingsmiddelen en lijmsoorten kunnen schadelijk zijn.
- ◆ **Gebruik het dichtingspistool niet in combinatie met een afgesloten koker met dichtingsmiddel of lijm.** Verwijder vóór gebruik altijd eventuele dichtingen en zorg ervoor dat het mondstuk niet wordt geblokkeerd.
- ◆ **Zorg ervoor dat de keuzeschakelaar voor de snelheid in de uit-stand staat voordat u de batterijen plaatst, aanpassingen uitvoert of het apparaat reinigt.** Ongewilde inschakeling kan letsel tot gevolg hebben.

#### Aanvullende veiligheidsinstructies voor niet-laadbare batterijen

**Waarschuwing!** Batterijen kunnen exploderen of lekken en kunnen letsel of brand veroorzaken. U kunt dit risico als volgt verkleinen:

- ◆ **Zorg ervoor dat de keuzeschakelaar voor de snelheid in de uit-stand staat voordat u de batterij(en) plaatst.** Wanneer u de batterijen in elektrisch gereedschap en elektrische apparaten plaatst terwijl de aan/uit-schakelaar in de aan-stand staat, kan dit tot ongevallen leiden.
- ◆ **Onder extreme omstandigheden kan er vloeistof uit de batterij spuiten. Vermijd contact.** Indien onbedoeld contact plaatsvindt, spoelt u met water. Als vloeistof in aanraking komt met de ogen, raadpleegt u bovendien uw huisarts. Vloeistof die uit de batterij spuit, kan irritatie of brandwonden veroorzaken.
- ◆ Volg alle instructies en waarschuwingen op het label van de batterij en op de verpakking nauwgezet op.
- ◆ Plaats batterijen altijd op de juiste manier met betrekking tot de polariteit (+ en -) die op de batterij en de apparatuur is aangegeven.
- ◆ Veroorzaak geen kortsluiting tussen batterijpolen.
- ◆ Laad batterijen niet op.
- ◆ Gebruik geen oude en nieuwe batterijen door elkaar. Vervang alle batterijen tegelijkertijd door nieuwe van hetzelfde merk en type.
- ◆ Houd batterijen buiten het bereik van kinderen.
- ◆ Verwijder de batterijen als u het apparaat een aantal maanden niet gebruikt.
- ◆ Probeer batterijen niet te openen, om welke reden ook.
- ◆ Bewaar deze niet op locaties met temperaturen van meer dan 40 °C.
- ◆ Gooi lege batterijen weg volgens de instructies in het gedeelte 'Milieu'.
- ◆ Verbrand de batterijen niet.

## Onderdelen

1. Slede voor dichtingsmiddel
2. Doorpriknaald
3. Keuzeschakelaar voor snelheid
4. Plunjerstaaf
5. Trekker
6. Batterijcompartiment
7. Polsdraagriem

## Montage

### De batterijen installeren (fig. A)

**Waarschuwing!** Gebruik alleen AA-batterijen. Gebruik alleen alkalibatterijen.

- ◆ Schuif het deksel van het batterijcompartiment (6) naar voren om het compartiment te openen.
- ◆ Plaats vier nieuwe AA-alkalibatterijen (8) en zorg er daarbij voor dat de positieve (+) en negatieve (-) polen goed met elkaar in overeenstemming zijn.
- ◆ Sluit het deksel van het batterijcompartiment (6) en schuif het naar achteren om het op zijn plaats te vergrendelen.

### De koker met dichtmiddel of lijm voorbereiden (fig. B)

- ◆ Volg de aanbeveling van de fabrikant op om het dichtingsmateriaal of de lijm te selecteren die bij de taak past.
- ◆ Snij de spuitmond van de koker onder een hoek af. Naarmate u dichterbij het uiteinde van de spuitmond snijdt, wordt de opening kleiner. Hoe kleiner de opening, des te kleiner de druppel dichtingsmiddel.
- ◆ De doorpriknaald (2) bevindt zich op de slede voor het dichtingsmiddel (1) en kan worden gebruikt om de binnenste dichting van de koker door te prikken of om verstoppingen in een gedeeltelijk gebruikte koker te verhelpen.

Zorg ervoor dat de dichting is doorgeprikt en dat de spuitmond open is voordat u aan de slag gaat. Als dat niet het geval is, kan het materiaal uit de achterkant van het pistool worden geperst.

### De koker met dichtmiddel of lijm installeren (fig. C & D)

- ◆ Trek de plunjerstaaf (4) zo ver naar achteren dat de koker in de slede voor het dichtingsmiddel (1) past.
- ◆ Draai de slede voor het dichtingsmiddel (1) linksom en verwijder deze uit de hoofdbehuizing.
- ◆ Plaats de koker met dichtingsmiddel of lijm in de slede voor het dichtingsmiddel (1).
- ◆ Plaats de slede voor het dichtingsmiddel (1) in de hoofdbehuizing. Controleer of de slede voor het dichtingsmiddel (1) goed is opgelijnd en draai de slede rechtsonder totdat de pijl op de hoofdbehuizing is opgelijnd

met de vergrendelingsafbeelding op de slede voor het dichtingsmiddel (1).

- ◆ Duw de plunjerstaaf (4) naar voren totdat deze de achterkant van de koker raakt.

### De koker met dichtmiddel of lijm verwijderen (fig. C & E)

- ◆ Laat de trekker (5) los, zet de keuzeschakelaar voor de snelheid (3) in de uit-stand (0) en trek de plunjerstaaf (4) naar achteren.
- ◆ Draai de slede voor het dichtingsmiddel (1) linksom en verwijder deze uit de hoofdbehuizing.
- ◆ Verwijder de koker uit de slede voor het dichtingsmiddel (1).

## Gebruik

### In- en uitschakelen (fig. E)

- ◆ Schuif de keuzeschakelaar voor de snelheid (3) van de uit-stand (0) in de stand voor een hoge snelheid (II).
- ◆ Trek aan de trekker (5) om te beginnen met het aanbrengen van dichtingsmiddel of lijm.
- ◆ Terwijl het materiaal uit de koker begint te komen schuift u de keuzeschakelaar voor de snelheid (3) in de stand voor een lage snelheid (I) als een betere regeling van de uitstroom van materiaal vereist is.
- ◆ Laat de trekker (5) los zodat er geen materiaal meer uit de koker komt. Schuif de keuzeschakelaar voor de snelheid (3) in de uit-stand (0).

### Tips voor optimaal gebruik

De diameter van de spuitmond, de temperatuur en het type materiaal dat wordt gebruikt, zijn van invloed op spuitsnelheid.

Trek met een consistente kracht aan de trekker (5) om een consistentere druppel en materiaaluitstroom te bereiken.

**Waarschuwing!** Zorg ervoor dat de keuzeschakelaar voor de snelheid (3) in de uit-stand (0) staat voordat u de batterijen plaatst, aanpassingen uitvoert of het apparaat reinigt. Ongewilde inschakeling kan letsel tot gevolg hebben.

## Onderhoud

Uw Black & Decker-gereedschap is ontworpen om gedurende langere periode te functioneren met een minimum aan onderhoud. U kunt het gereedschap naar volle tevredenheid blijven gebruiken als u voor correct onderhoud zorgt en het gereedschap regelmatig schoonmaakt

- ◆ Reinig de behuizing van de motor regelmatig met een vochtige doek. Gebruik geen schuur- of oplosmiddel. Voorkom dat vloeistof het gereedschap binnendringt en dompel nooit enig onderdeel van het gereedschap in vloeistof onder.

- ◆ Verwijder eventueel dichtingsmateriaal of lijm van de kokerlocaties op de slede voor het dichtingsmiddel en de hoofdbehuizing.

## Milieu

### Aparte inzameling



Dit product mag niet met normaal huishoudelijk afval worden weggegooid.

Mocht u op een dag constateren dat het gereedschap aan vervanging toe is of dat u het apparaat niet meer nodig hebt, houd dan rekening met het milieu. Black & Decker-servicecentra zijn bereid oude Black & Decker-machines in te nemen en ervoor te zorgen dat deze op milieuvriendelijke wijze worden afgevoerd.



Gescheiden inzameling van gebruikte producten en verpakkingsmaterialen maakt het mogelijk materialen te recyclen en opnieuw te gebruiken. Hergebruik van gerecycleerde materialen zorgt voor minder milieuvuiling en dringt de vraag naar grondstoffen terug.

Plaatselijke verordeningen kunnen voorzien in gescheiden inzameling van huishoudelijke elektrische producten via gemeentelijke stortplaatsen of via de leverancier bij wie u een nieuw product aanschaft.

Black & Decker biedt de mogelijkheid tot het recyclen van afgedankte Black & Decker-producten. Om gebruik te maken van deze service, dient u het product naar een van onze servicecentra te sturen, die de inzameling voor ons verzorgen.

U kunt het adres van het dichtstbijzijnde servicecentrum opvragen via de adressen op de achterzijde van deze handleiding. U kunt ook een lijst van onze servicecentra en meer informatie over onze klantenservice vinden op het volgende internetadres: **www.2helpU.com**.



Gooi afgedankte batterijen op verantwoorde wijze weg: Verwijder de batterijen op de hiervoor beschreven wijze.

- ◆ Plaats de batterijen in een geschikte verpakking om ervoor te zorgen dat er geen kortsluiting tussen de polen kan ontstaan.
- ◆ Breng de batterijen naar een inzamellocatie in uw woonplaats.

### Technische gegevens

		CG100
Spanning	Vdc	6
Onbelaste snelheid	mm/min	90 – 150
Batterijformaat	Type	LR06 (AA)
Gewicht	g	950

## EG-conformiteitsverklaring

CG100

Black & Decker verklaart dat deze producten in overeenstemming zijn met:

98/37/EC, 89/336/EEG, EN 60745, EN 55014

LpA (geluidsdruk) 61,6 dB(A),

LWA (geluidsvermogen) 72,6 dB(A),

gewogen trilling hand/arm 0,18 m/s<sup>2</sup>,

Kpa (meetonzekerheid geluidsdruk) 3 dB(A),

Kwa (meetonzekerheid geluidsvermogen) 3 dB(A),

Kevin Hewitt

Director of Consumer Engineering  
Spennymoor, County Durham

DL16 6JG,

Verenigd Koninkrijk

06-12-2006

## Garantie

Black & Decker heeft vertrouwen in haar producten en biedt een uitstekende garantie. Deze garantiebepalingen vormen een aanvulling op uw wettelijke rechten en beperken deze niet. De garantie geldt in de lidstaten van de Europese Unie en de Europese Vrijhandelsassociatie.

Mocht uw Black & Decker product binnen 24 maanden na de datum van aankoop defect raken ten gevolge van materiaal- of constructiefouten, dan garanderen wij de kosteloze vervanging van defecte onderdelen, de reparatie van het product of de vervanging van het product, tenzij:

- ◆ Het product is gebruikt voor handelsdoeleinden, professionele toepassingen of verhuuroeleinden;
- ◆ Het product onoordeelkundig is gebruikt;
- ◆ Het product is beschadigd door invloeden van buitenaf of door een ongeval;
- ◆ Reparaties zijn uitgevoerd door anderen dan onze servicecentra of Black & Decker-personeel.

Om een beroep te doen op de garantie, dient u een aankoopbewijs te overhandigen aan de verkoper of een van onze servicecentra. U kunt het adres van het dichtstbijzijnde servicecentrum opvragen via de adressen op de achterzijde van deze handleiding. U kunt ook een lijst van onze servicecentra en meer informatie m.b.t. onze klantenservice vinden op het volgende internetadres: **www.2helpU.com**

Meld u aan op onze website **www.blackanddecker.nl** om te worden geïnformeerd over nieuwe producten en speciale aanbiedingen. Verdere informatie over het merk Black & Decker en onze producten vindt u op **www.blackanddecker.nl**.

## Uso previsto

Su pistola selladora Black & Decker se ha diseñado como una ayuda para aplicar masilla, adhesivo, sellador y materiales de relleno en tubos. Esta herramienta está pensada únicamente para uso doméstico.

## Normas de seguridad generales

**¡Atención!** Lea íntegramente estas instrucciones. Si no se siguen las instrucciones de seguridad siguientes, pueden producirse descargas eléctricas, incendios o lesiones graves. El término "herramienta eléctrica" empleado en las advertencias indicadas a continuación hace referencia a la herramienta eléctrica con alimentación de red (con cable) o alimentada por batería (sin cable).

GUARDE ESTAS INSTRUCCIONES EN UN LUGAR SEGURO.

1. **Área de trabajo**
  - a. **Mantenga limpia y bien iluminada el área de trabajo.** El desorden y una iluminación deficiente en las áreas de trabajo pueden provocar accidentes.
  - b. **No utilice la herramienta eléctrica en un entorno con peligro de explosión, en el que se encuentren líquidos, gases o polvo inflamables.** Las herramientas eléctricas producen chispas que pueden llegar a incendiar los materiales en polvo o vapores.
  - c. **Mantenga alejados a los niños y otras personas del área de trabajo al emplear la herramienta eléctrica.** Una distracción le puede hacer perder el control sobre la herramienta.
2. **Seguridad eléctrica**
  - a. **El enchufe de la herramienta eléctrica debe corresponder a la toma de corriente utilizada. No modifique el enchufe en forma alguna. No emplee adaptadores en herramientas eléctricas dotadas con toma de tierra.** Los enchufes sin modificar adecuados a las respectivas tomas de corriente reducen el riesgo de una descarga eléctrica.
  - b. **Evite que su cuerpo entre en contacto con superficies conectadas a tierra como tuberías, radiadores, cocinas o neveras.** El riesgo de descarga eléctrica es mayor si su cuerpo tiene contacto con tierra.
  - c. **No exponga las herramientas eléctricas a la lluvia y evite que penetren líquidos en su interior.** Existe el peligro de recibir una descarga eléctrica si penetran ciertos líquidos en la herramienta eléctrica.
  - d. **Cuide el cable de alimentación. No lo utilice para transportar o colgar la herramienta eléctrica, ni tire de él para sacar el enchufe de la toma de corriente. Manténgalo alejado del calor, aceite, bordes afilados o piezas móviles.** Los cables de red dañados o enredados incrementan el riesgo de descarga eléctrica.
- e. **Al trabajar con una herramienta eléctrica en el exterior utilice solamente cables de prolongación homologados para su uso en exteriores.** La utilización de un cable de prolongación adecuado para su uso en exteriores reduce el riesgo de descarga eléctrica.
3. **Seguridad personal**
  - a. **Esté atento a lo que hace y emplee la herramienta eléctrica con prudencia. No utilice la herramienta eléctrica si está cansado, ni tampoco después de haber consumido alcohol, drogas o medicamentos.** Un instante de descuido puede provocar serias lesiones.
  - b. **Utilice un equipo de protección y gafas protectoras en todo momento.** El riesgo de lesionarse se reduce considerablemente si, dependiendo del tipo y la aplicación de la herramienta eléctrica empleada, se utiliza un equipo de protección adecuado como una mascarilla antipolvo, zapatos de seguridad con suela antideslizante, casco o protectores auditivos.
  - c. **Evite que la herramienta se encienda accidentalmente. Compruebe que el interruptor esté en la posición de apagado antes de enchufar la herramienta.** Transportar la herramienta eléctrica con el dedo sobre el interruptor o enchufarla con el interruptor encendido puede provocar accidentes.
  - d. **Retire las herramientas de ajuste o llaves fijas antes de conectar la herramienta eléctrica.** Una herramienta o llave colocada en una pieza giratoria de la herramienta eléctrica puede producir lesiones al ponerse a funcionar.
  - e. **Sea precavido. Manténgase firmemente apoyado en el suelo y conserve el equilibrio en todo momento.** Ello le permitirá controlar mejor la herramienta eléctrica en caso de presentarse una situación inesperada.
  - f. **Lleve puesta una vestimenta de trabajo adecuada. No lleve ropa ancha ni joyas. Mantenga el pelo, la ropa y los guantes alejados de las piezas móviles.** La ropa suelta, las joyas y el pelo largo se pueden enganchar con las piezas en movimiento.
  - g. **Siempre que sea posible utilizar equipos de aspiración o captación de polvo, asegúrese de que estén bien montados y se utilicen correctamente.** El empleo de estos equipos reduce los riesgos derivados del polvo.
4. **Uso y cuidado de herramientas eléctricas**
  - a. **No sobrecargue la herramienta eléctrica. Use la herramienta eléctrica adecuada para cada aplicación.** Con la herramienta eléctrica adecuada podrá trabajar mejor y más seguro dentro del margen de potencia indicado.



- b. **No utilice herramientas eléctricas con un interruptor defectuoso.** Las herramientas eléctricas que no se puedan conectar o desconectar mediante el interruptor y deben hacerse reparar.
- c. **Saque el enchufe de la red antes de realizar un ajuste en la herramienta eléctrica, cambiar de accesorio o al guardar la herramienta.** Esta medida preventiva reduce el riesgo de conectar accidentalmente la herramienta eléctrica.
- d. **Guarde las herramientas eléctricas fuera del alcance de los niños y de las personas que no estén familiarizadas con su uso.** Las herramientas eléctricas utilizadas por personas inexpertas son peligrosas.
- e. **Cuide sus herramientas eléctricas con esmero. Compruebe que las partes móviles de la herramienta eléctrica funcionan correctamente, sin atascarse, y si existen partes rotas o deterioradas que pudieran afectar al funcionamiento de la herramienta. Si la herramienta eléctrica fuera defectuosa, haga que la reparen antes de volver a utilizarla.** Muchos de los accidentes se deben a herramientas eléctricas con un mantenimiento deficiente.
- f. **Mantenga las herramientas de corte limpias y afiladas.** Las herramientas de corte mantenidas correctamente se dejan guiar y controlar mejor.
- g. **Utilice la herramienta eléctrica, los accesorios y útiles de herramienta, etc. de acuerdo con estas instrucciones y en la manera indicada específicamente para esta herramienta eléctrica, según las condiciones de trabajo y la tarea que se realizará.** El uso de herramientas eléctricas para trabajos diferentes de aquellos para los que han sido concebidas puede resultar peligroso.

## 5. Servicio técnico

- a. **Haga reparar la herramienta eléctrica sólo por personal técnico autorizado que emplee exclusivamente piezas de repuesto idénticas.** Solamente así se garantiza la seguridad de la herramienta eléctrica.

### Instrucciones de seguridad adicionales para la pistola selladora

- ◆ **Mantenga las manos fuera del área del émbolo y la varilla de la pistola selladora.** Puede pillarse los dedos entre el soporte del tubo y el émbolo.
- ◆ **Al utilizar la pistola selladora por encima de la cabeza, no tenga la varilla del émbolo en la trayectoria de los ojos o la cabeza.** La varilla del émbolo podría deslizarse hacia atrás en la dirección del usuario. Utilice siempre gafas protectoras al utilizar la pistola selladora.

- ◆ **Lea y siga siempre todas las instrucciones del fabricante respecto a la masilla o el adhesivo.** No hacerlo podría provocar lesiones personales.
- ◆ **Trabaje siempre en una zona bien ventilada y lleve protección respiratoria si es necesario.** El vapor de algunas masillas y adhesivos puede ser nocivo.
- ◆ **No utilice la pistola selladora con un tubo de masilla o adhesivo sellado.** Quite siempre todos los sellos y asegúrese de que la boquilla no esté bloqueada antes de utilizarla.
- ◆ **Asegúrese de que el interruptor del selector de velocidad esté en la posición de apagado antes de insertar las pilas,** realizar ajustes o limpiar la herramienta. Si se encendiera de forma accidental podría provocar lesiones.

### Instrucciones de seguridad adicionales para pilas no recargables

**¡Atención!** Las pilas pueden explotar, perder líquido y provocar lesiones o incendios. Para reducir este riesgo:

- ◆ **Asegúrese de que el interruptor del selector de velocidad esté en la posición de apagado antes de insertar las pilas.** La introducción de pilas en herramientas y aparatos eléctricos encendidos puede provocar accidentes.
- ◆ **En condiciones extremas, es posible que la pila expulse líquido; evite el contacto con dicho líquido.** En caso de tocarlo accidentalmente, retírelo con agua. Si el líquido entra en contacto con los ojos, busque asistencia médica. El líquido que expulsa la pila puede producir irritación o quemaduras.
- ◆ Siga con cuidado todas las instrucciones y advertencias de la etiqueta de la pila y del embalaje.
- ◆ Inserte siempre las pilas correctamente en lo que se refiere a la polaridad (+ y -), marcada en la pila y el equipo.
- ◆ No cortocircuite los terminales de la pila.
- ◆ No cargue las pilas.
- ◆ No mezcle pilas viejas y nuevas. Sustitúyalas todas a la vez con pilas nuevas de la misma marca y tipo.
- ◆ Mantenga las pilas fuera del alcance de los niños.
- ◆ Quite las pilas si no se va a utilizar el dispositivo durante varios meses.
- ◆ No intente abrirlas bajo ningún concepto.
- ◆ No las almacene en lugares en los que la temperatura pueda superar los 40 °C.
- ◆ Cuando vaya a desechar las pilas, siga las instrucciones facilitadas en la sección "Protección del medio ambiente".
- ◆ No incinere las pilas.

## Características

1. Carro de masilla
2. Varilla de sellado
3. Interruptor del selector de velocidad
4. Varilla del émbolo
5. Interruptor
6. Compartimiento para pilas
7. Cinta para muñeca

## Montaje

### Carga de las pilas (fig. A)

**¡Atención!** Utilice sólo pilas de tamaño AA alcalinas.

- ◆ Deslice la tapa del compartimiento para pilas (6) hacia delante para abrirla.
- ◆ Inserte cuatro pilas AA alcalinas nuevas (8). Asegúrese de colocar correctamente los terminales (+) positivo y (-) negativo.
- ◆ Cierre la tapa del compartimiento para pilas (6) y deslícela hacia atrás para que quede bloqueada en su posición.

### Preparación de la masilla o el tubo adhesivo (fig. B)

- ◆ Siga la recomendación del fabricante para seleccionar el material para sellado o adhesivo adecuado para el trabajo.
- ◆ Corte la boquilla del tubo en ángulo. Cuanto más cerca del final de la boquilla realice el corte, más estrecha será la apertura. Cuanto más pequeña sea la apertura, más pequeña será la gota de masilla.
- ◆ La varilla de sellado (2) se encuentra en el carro de masilla (1) y puede utilizarse para perforar el sello interno del tubo o para eliminar los bloqueos de un tubo usado parcialmente.

Asegúrese de que el sello esté perforado y la boquilla desbloqueada antes de usar la herramienta. De lo contrario, podría caerse el material fuera de la pistola.

### Instalación del tubo de masilla o adhesivo (fig. C y D)

- ◆ Tire de la varilla del émbolo (4) hacia atrás hasta que el tubo quepa en el carro de masilla (1).
- ◆ Gire el carro de masilla (1) en dirección contraria a las agujas del reloj y sáquelo de la carcasa principal.
- ◆ Inserte el tubo de masilla o adhesivo en el carro de masilla (1).
- ◆ Inserte el carro de masilla (1) en la carcasa principal. Confirme que el carro de masilla (1) esté alineado correctamente y gírelo en la dirección de las agujas del reloj hasta que la flecha de la carcasa principal esté alineada con la imagen de bloqueo del carro de masilla (1).
- ◆ Empuje la varilla del émbolo (4) hacia delante hasta que se apoye en la parte trasera del tubo.

### Retirada del tubo de masilla o adhesivo (fig. C y E)

- ◆ Suelte el interruptor (5), coloque el interruptor del selector de velocidad (3) en apagado (0) y tire de la varilla del émbolo (4) hacia atrás.
- ◆ Gire el carro de masilla (1) en dirección contraria a las agujas del reloj y sáquelo de la carcasa principal.
- ◆ Quite el tubo del carro de masilla (1).

## Uso

### Encendido y apagado (fig. E)

- ◆ Mueva el interruptor del selector de velocidad (3) de la posición de apagado (0) a la de gran velocidad (II).
- ◆ Tire del interruptor (5) para empezar a dispensar masilla o adhesivo.
- ◆ Cuando empiece a dispensarse material del tubo, mueva el interruptor del selector de velocidad (3) a la posición de baja velocidad (I) si se necesita más control del flujo de material.
- ◆ Suelte el interruptor (5) para dejar de dispensar material del tubo. Coloque el interruptor del selector de velocidad (3) a la posición de apagado (0).

### Consejos para un uso óptimo

El diámetro de la boquilla, la temperatura y el tipo de material que se utilice afectarán a la cantidad de flujo.

Tire del interruptor (5) a un ritmo constante para lograr un goteo y disposición del material más consistente.

**¡Atención!** Asegúrese de que el interruptor del selector de velocidad (3) esté en la posición de apagado (0) antes de insertar las pilas, realizar ajustes o limpiar la herramienta. Si se encendiera de forma accidental podría provocar lesiones.

## Mantenimiento

La herramienta de Black & Decker ha sido diseñada para que funcione durante un largo período de tiempo con un mantenimiento mínimo. El funcionamiento satisfactorio continuado depende de un cuidado apropiado y una limpieza periódica de la herramienta.

- ◆ Limpie periódicamente la carcasa del motor con un paño húmedo. No utilice limpiadores de base abrasiva ni disolventes. Evite que penetre líquido en el interior de la herramienta y nunca sumerja ninguna de sus piezas en cualquier tipo de líquido.
- ◆ Limpie el material de sellado o adhesivo de las posiciones del tubo en el carro de masilla y la carcasa principal.

## Protección del medio ambiente

### Recogida selectiva



No se debe desechar este producto con el resto de residuos domésticos.

Si llegase el momento en que fuese necesario sustituir la herramienta o si ésta dejase de tener utilidad, debe tener en cuenta la protección del medio ambiente. El servicio técnico autorizado de Black & Decker aceptará herramientas Black & Decker ya usadas y se asegurará de desprenderse de ellas de modo que no se perjudique el medioambiente.



La recogida selectiva de productos y embalajes usados permite el reciclaje de materiales y su reutilización. La reutilización de materiales reciclados contribuye a evitar la contaminación medioambiental y reduce la demanda de materias primas.

Las normativas municipales deben ofrecer la recogida selectiva de productos eléctricos del hogar, en puntos municipales previstos para ello o a través del distribuidor en el caso en que se adquiera un nuevo producto.

Black & Decker proporciona facilidades para la recogida y reciclado de los productos Black & Decker que hayan llegado al final de su vida útil. Para poder utilizar este servicio, le rogamos entregue el producto a cualquier servicio técnico autorizado que se hará cargo del mismo en nuestro nombre.

Para consultar la dirección del servicio técnico más cercano póngase en contacto con la oficina local de Black & Decker en la dirección que se indica en este manual. Como alternativa, se puede consultar en Internet, en la dirección siguiente, la lista de servicios técnicos autorizados e información completa sobre nuestros servicios de postventa y contactos: [www.2helpU.com](http://www.2helpU.com).



Al final de su vida útil, deseche las pilas respetando el medio ambiente. Retírelas como se ha descrito anteriormente.

- ◆ Coloque las pilas en un embalaje adecuado para garantizar que no se pueda crear un cortocircuito con los terminales.
- ◆ Lleve las pilas a un centro de reciclaje local.

### Características técnicas

		CG100
Voltaje	V de cc	6
Sin velocidad de carga	mm/min	90 - 150
Tamaño de pilas	Tipo	LR06 (AA)
Peso	g	950

## Declaración de conformidad CE

CG100

Black & Decker declara que estos productos cumplen las normas siguientes:

98/37/EC, 89/336/EEC, EN 60745, EN 55014

LpA (presión acústica) 61,6 dB (A),

LWA (potencia acústica) 72,6 dB (A),

vibraciones soportadas en mano/brazo 0,18 m/s<sup>2</sup>,

Kpa (incertidumbre de presión acústica) 3 dB (A),

Kwa (incertidumbre de potencia acústica) 3 dB (A),

Kevin Hewitt

Director de Ingeniería del Consumidor

Spennymoor, County Durham  
DL16 6JG,

Reino Unido

06-12-2006

## Garantía

Black & Decker confía plenamente en la calidad de sus productos y ofrece una garantía extraordinaria. Esta declaración de garantía es un añadido, y en ningún caso un perjuicio para sus derechos estatutarios. La garantía es válida dentro de los territorios de los Estados miembros de la Unión Europea y de los de la Zona Europea de Libre Comercio.

Si cualquier producto de Black & Decker resultara defectuoso debido a materiales o mano de obra defectuosos o a la falta de conformidad, Black & Decker garantiza, dentro de los 24 meses posteriores a la fecha de compra, la sustitución de las piezas defectuosas, la reparación de los productos sujetos a un desgaste y rotura razonables o la sustitución de tales productos para garantizar al cliente el mínimo de inconvenientes, a menos que:

- ◆ El producto se haya utilizado con propósitos comerciales, profesionales o de alquiler.
- ◆ El producto se haya sometido a un uso inadecuado o negligente.
- ◆ El producto haya sufrido daños causados por objetos o sustancias extrañas o accidentes.
- ◆ Se hayan realizado reparaciones por parte de personas que no sean del servicio técnico autorizado o personal de servicios de Black & Decker.

Para reclamar en garantía, será necesario que presente la prueba de compra al vendedor o al servicio técnico de reparaciones autorizado. Puede consultar la dirección de su servicio técnico más cercano poniéndose en contacto con la oficina local de Black & Decker en la dirección que se indica en este manual. Como alternativa, puede consultar en Internet la lista de servicios técnicos autorizados e información completa de nuestros servicios de postventa y contactos, en la dirección siguiente: **[www.2helpU.com](http://www.2helpU.com)**.

Visite el sitio web **[www.blackanddecker.eu](http://www.blackanddecker.eu)** para registrar su nuevo producto Black & Decker y estar al día sobre productos y ofertas especiales. Encontrará información adicional sobre la marca Black & Decker y nuestra gama de productos en **[www.blackanddecker.eu](http://www.blackanddecker.eu)**.

## Utilização

A sua pistola de calafetação da Black & Decker foi concebida para ajudar na aplicação de materiais de calafetação, cola, vedantes e materiais de enchimento de tubos. Esta ferramenta destina-se apenas a utilização doméstica.

## Regras gerais de segurança

**Advertência!** Leia todas as instruções. O não cumprimento das instruções a seguir pode causar choque eléctrico, incêndio e/ou graves lesões. A expressão "ferramenta eléctrica" utilizada a seguir refere-se a ferramentas eléctricas com ligação à corrente eléctrica (com cabo) ou com bateria (sem fios).

GUARDE BEM ESTAS INSTRUÇÕES.

### 1. Área de trabalho

- a. **Mantenha a área de trabalho limpa e bem iluminada.** Áreas desarrumadas e mal iluminadas são propícias a acidentes.
- b. **Não trabalhe com ferramentas eléctricas em áreas com risco de explosão, nas quais se encontrem líquidos, gases ou poeiras inflamáveis.** As ferramentas eléctricas produzem faíscas que podem provocar a ignição de poeiras ou vapores.
- c. **Mantenha crianças e outras pessoas afastadas enquanto trabalhar com a ferramenta eléctrica.** Distrações podem provocar perdas de controlo da ferramenta.

### 2. Segurança eléctrica

- a. **A ficha da ferramenta eléctrica deve caber na tomada. A ficha não deve ser modificada de modo algum. Não utilize quaisquer fichas adaptadoras com ferramentas eléctricas ligadas à terra.** Fichas sem modificações e tomadas adequadas reduzem o risco de choques eléctricos.
- b. **Evite que o corpo entre em contacto com superfícies ligadas à terra, como tubos, radiadores, fogões e frigoríficos.** Existe um risco elevado de choques eléctricos se o corpo estiver ligado à terra.
- c. **As ferramentas eléctricas não podem ser expostas a chuva nem humidade.** A penetração de água na ferramenta eléctrica aumenta o risco de choques eléctricos.
- d. **Manuseie o cabo com cuidado. O cabo não deve ser utilizado para transportar ou pendurar a ferramenta, nem para puxar a ficha da tomada. Mantenha o cabo afastado de calor, óleo, pontas afiadas ou partes móveis.** Cabos danificados ou torcidos aumentam o risco de choques eléctricos.
- e. **Quando trabalhar com uma ferramenta eléctrica ao ar livre, utilize um cabo de extensão apropriado para esse fim.** A utilização de um cabo apropriado para áreas ao ar livre reduz o risco de choques eléctricos.

### 3. Segurança pessoal

- a. **Mantenha-se alerta, tenha atenção ao que está a fazer e seja prudente quando trabalhar com a ferramenta eléctrica. Não utilize uma ferramenta eléctrica se estiver cansado ou sob a influência de drogas, álcool ou medicamentos.** Um momento de falta de atenção enquanto trabalha com ferramentas eléctricas poderá ter como resultado graves lesões.
  - b. **Utilize equipamento de protecção pessoal. Utilize sempre óculos de protecção.** Equipamento de segurança como uma máscara de protecção contra poeiras, sapatos de segurança anti-derrapantes, capacete de segurança ou protecção auricular, de acordo com o tipo e a aplicação de ferramenta eléctrica, reduz o risco de lesões.
  - c. **Evite o accionamento involuntário. Certifique-se de que o interruptor está na posição de desligado antes de ligar à tomada.** O transporte de ferramentas eléctricas com o dedo no interruptor ou a ligação das mesmas à rede eléctrica com o interruptor ligado pode causar acidentes.
  - d. **Retire eventuais chaves de ajuste ou chaves de fenda, antes de ligar a ferramenta eléctrica.** Uma chave de fenda ou chave de ajuste que se encontre numa peça rotativa da ferramenta eléctrica poderá causar lesões.
  - e. **Não tente chegar a pontos fora do alcance. Mantenha-se sempre bem posicionado e equilibrado.** Assim, controlará melhor a ferramenta eléctrica em situações imprevistas.
  - f. **Utilize vestuário adequado. Não utilize roupa larga ou jóias. Mantenha o cabelo, a roupa e as luvas afastados de partes móveis.** Roupas largas, jóias ou cabelo comprido podem ser apanhados por partes móveis.
  - g. **Se for prevista a montagem de dispositivos de extracção e recolha de pó, certifique-se de que estão ligados e que são utilizados de forma correcta.** A utilização destes dispositivos reduz os riscos relacionados com pó.
- ### 4. Utilização e manutenção da ferramenta eléctrica
- a. **Não sobrecarregue a ferramenta eléctrica. Utilize a ferramenta eléctrica adequada para o trabalho pretendido.** A ferramenta eléctrica correcta realizará o trabalho de forma melhor e mais segura, com a potência com que foi concebida.
  - b. **Não utilize a ferramenta eléctrica se o interruptor não puder ser ligado nem desligado.** Qualquer ferramenta eléctrica que não possa ser controlada com o interruptor é perigosa e terá de ser reparada.
  - c. **Desligue a ficha da tomada antes de efectuar ajustes na ferramenta, substituir acessórios ou armazenar a ferramenta eléctrica.** Estas medidas de segurança reduzem o risco de a ferramenta eléctrica ser ligada acidentalmente.

- d. **Mantenha as ferramentas eléctricas que não estiverem a ser utilizadas fora do alcance de crianças. Não permita que a ferramenta eléctrica seja utilizada por pessoas não familiarizadas com a mesma ou que não tenham lido estas instruções.** As ferramentas eléctricas são perigosas se utilizadas por pessoas não qualificadas.
- e. **Proceda à manutenção das ferramentas eléctricas. Verifique se as partes móveis estão desalinhas ou bloqueadas, se existem peças partidas ou qualquer outra situação que possa afectar o funcionamento das ferramentas eléctricas. As peças danificadas devem ser reparadas antes da utilização da ferramenta eléctrica.** Muitos acidentes são provocados por falta de manutenção das ferramentas eléctricas.
- f. **Mantenha as ferramentas de corte sempre afiadas e limpas.** As ferramentas de corte com a manutenção adequada e as extremidades afiadas bloqueiam com menos frequência e são mais fáceis de controlar.
- g. **Utilize a ferramenta eléctrica, os acessórios e as brocas, etc. de acordo com estas instruções e da forma determinada para este tipo específico de ferramenta eléctrica, levando em consideração as condições de trabalho e a tarefa a desempenhar.** A utilização da ferramenta eléctrica para fins diferentes dos previstos pode resultar em situações perigosas.
5. **Reparação**
- a. **A sua ferramenta eléctrica só deve ser reparada por pessoal qualificado e só devem ser colocadas peças sobressalentes originais.** Isso garante a manutenção da segurança da ferramenta eléctrica.

#### Instruções de segurança adicionais para a pistola de calafetação

- ◆ **Mantenha as mãos afastadas do pistão e da área da haste da pistola de calafetação.** Os dedos podem ficar esmagados entre o suporte do tubo e o pistão.
- ◆ **Quando trabalhar com a pistola de calafetação acima da cabeça, mantenha a haste do pistão afastada dos olhos ou da cabeça.** A haste do pistão pode saltar em direcção do utilizador. Utilize sempre óculos de protecção quando utilizar a pistola de calafetação.
- ◆ **Leia e cumpra sempre as instruções do fabricante respeitantes à calafetação ou à cola.** Se não o fizer, poderão ocorrer ferimentos pessoais.
- ◆ **Trabalhe sempre num local correctamente ventilado e utilize uma protecção respiratório correcta, caso seja necessário.** Os fumos de alguns trabalhos de calafetação e colas podem ser nocivos.

- ◆ **Não manuseie a pistola de calafetação com calafetação selada ou tubo de cola.** Retire todos os vedantes e certifique-se de que o bico está desobstruído antes de proceder à utilização.
- ◆ **Certifique-se de que o interruptor selector da velocidade está na posição de desligado antes de introduzir as pilhas,** efectuar ajustes ou limpar. Um accionamento involuntário pode causar ferimentos.

#### Instruções de segurança adicionais para pilhas não recarregáveis.

**Advertência!** As pilhas podem explodir, apresentar fugas e podem causar ferimentos ou incêndios. Para reduzir este risco:

- ◆ **Certifique-se de que o interruptor selector da velocidade está na posição de desligado antes de introduzir a(s) pilha(s).** Se introduzir pilhas nas ferramentas eléctricas e aplicações com o interruptor ligado, pode provocar acidentes.
- ◆ **Sob condições extremas, a bateria pode verter líquido, evitar contacto.** Se ocorrer um contacto accidental, lave com água em abundância. Se o líquido entrar em contacto com os olhos, procure assistência médica. O líquido vertido da bateria pode causar irritação ou queimaduras.
- ◆ Siga todas as instruções e avisos na etiqueta da bateria e na embalagem.
- ◆ Introduza sempre as pilhas correctamente tendo em atenção a polaridade (+ e -), marcada nas pilhas e no aparelho.
- ◆ Não efectue um curto-circuito nos terminais da bateria.
- ◆ Não recarregue as pilhas.
- ◆ Não misture pilhas novas com velhas. Substitua-as ao mesmo tempo por novas pilhas da mesma marca e tipo.
- ◆ Mantenha as pilhas longe do alcance das crianças.
- ◆ Retire as pilhas se o aparelho não for utilizado durante vários meses.
- ◆ Nunca, por motivo algum, tente abrir as pilhas.
- ◆ Não as armazene em locais onde a temperatura possa exceder os 40 °C.
- ◆ Quando eliminar as baterias, siga as instruções da secção "Proteger o ambiente".
- ◆ Não efectue uma incineração das pilhas.

#### Funções

1. Compartimento de calafetação
2. Caixa de vedantes
3. Interruptor selector de velocidade
4. Haste do pistão
5. Botão de gatilho
6. Compartimento da bateria
7. Correia para o pulso

## Montagem

### Instalar as pilhas (fig. A)

**Advertência!** Utilizar apenas pilhas de tamanho AA. Utilizar apenas pilhas alcalinas.

- ◆ Deslize a tampa do compartimento da bateria (6) para a frente para abrir.
- ◆ Introduzir quatro pilhas AA novas (8), certifique-se de que os corresponde os terminais (+) positivo e (-) negativo correctamente.
- ◆ Feche o compartimento da bateria (6) e deslize a tampa para trás para bloquear.

### Preparar o tubo de calafetação ou de cola (fig. B)

- ◆ Siga as recomendações do fabricante para seleccionar o material de calafetação ou cola adequado ao trabalho.
- ◆ Corte o bico do tubo de forma angular. Quanto mais perto da extremidade do bico for o corte, mais estreita será a abertura. Quanto mais estreita a abertura, mais pequena será a camada de calafetação.
- ◆ A caixa de vedantes (2) está colocada no compartimento de calafetação (1) e pode ser utilizada para perfurar o selo interno do tubo ou para desobstruir os bloqueios de um tubo parcialmente utilizado.

Certifique-se de que o selo é perfurado e que bico é desobstruído antes de utilizar. Caso contrário, o produto pode sair pela parte traseira da pistola.

### Instalar o tubo de calafetação ou de cola (fig. C & D)

- ◆ Puxe a haste do pistão (4) de forma a permitir a introdução do tubo no transportador de calafetação (1).
- ◆ Rode o compartimento de calafetação (1) no sentido contrário ao dos ponteiros do relógio e retire-o do compartimento principal.
- ◆ Introduza o tubo de calafetação ou de cola no compartimento de calafetação (1).
- ◆ Introduza o compartimento de calafetação (1) no compartimento principal. Confirme que o compartimento de calafetação (1) está alinhado correctamente e rode-o no sentido dos ponteiros do relógio até a seta do compartimento principal estiver alinhada com a imagem de bloqueio no compartimento de calafetação (1).
- ◆ Empurre a haste do pistão (4) até ficar encostado à parte traseira do tubo.

### Retirar o tubo de calafetação ou de cola (fig. C & E)

- ◆ Substitua o botão de gatilho (5), defina o interruptor selector da velocidade (3) para desligado (0) e puxe a haste do pistão para (4) trás.
- ◆ Rode o compartimento de calafetação (1) no sentido contrário ao dos ponteiros do relógio e retire-o do compartimento principal.

- ◆ Retire o tubo do compartimento de calafetação (1).

## UTILIZAÇÃO

### Ligar e desligar (fig. E)

- ◆ Mova o interruptor selector da velocidade (3) da posição de desligado (0) para a posição de alta-velocidade (II).
- ◆ Puxe o botão de gatilho (5) para iniciar a aplicação de calafetação ou cola.
- ◆ À medida que começa a sair produto do tubo, mova o interruptor selector da velocidade (3) para a posição de baixa-velocidade (I), se for necessário um controlo maior do fluxo.
- ◆ Liberte o botão de gatilho (5) para terminar a aplicação do produto. Defina o interruptor selector de velocidade (3) para a posição de desligado (0).

### Sugestões para uma utilização ideal

O diâmetro do bico, a temperatura e o tipo de produto utilizado vão afectar o fluxo.

Puxe o botão de gatilho (5) de forma constante para uma aplicação mais consistente do produto.

**Advertência!** Certifique-se de que o interruptor selector da velocidade (3) está na posição de desligado (0) antes de introduzir as pilhas, efectuar ajustes ou limpar. Um accionamento involuntário pode causar ferimentos.

## MANUTENÇÃO

A sua ferramenta Black & Decker foi concebida para funcionar por um longo período de tempo com uma manutenção mínima. Um funcionamento contínuo e satisfatório depende de uma manutenção adequada e da limpeza regular da ferramenta.

- ◆ Limpe regularmente o compartimento do motor com um pano húmido. Não utilize nenhum produto de limpeza abrasivo ou à base de solvente. Nunca deixe nenhum líquido entrar na ferramenta e nunca submerja nenhuma parte da ferramenta em líquido.
- ◆ Limpe o produto de calafetação ou a cola das zonas do tubo no compartimento de calafetação e compartimento principal.

## Protecção do ambiente

### Recolha separada



Este produto não pode ser eliminado juntamente com os resíduos domésticos normais.

Se em algum momento verificar que é necessário substituir a ferramenta ou que esta deixou de ter utilidade, pense na protecção do ambiente. Os agentes de reparação da Black & Decker aceitam ferramentas Black & Decker antigas e garantem que são eliminadas de uma forma segura em termos ambientais.



A recolha separada de produtos e embalagens usados permite que os materiais sejam reciclados e novamente utilizados. A reutilização de materiais reciclados ajuda a evitar a poluição ambiental e reduz a procura de matérias-primas.

A legislação local poderá prever a recolha separada de produtos domésticos eléctricos, seja em lixeiras municipais ou através do revendedor quando adquire um produto novo.

A Black & Decker dispõe de instalações para recolha e reciclagem de produtos Black & Decker quando estes atingem o fim da sua vida útil. Para usufruir deste serviço, devolva o produto em qualquer agente de reparação autorizado, que os recolherá em seu nome.

Pode verificar a localização do agente de reparação autorizado mais perto de si, contactando os escritórios locais da Black & Decker através do endereço indicado neste manual. Se preferir, pode encontrar na Internet uma lista de agentes de reparação autorizados Black & Decker, detalhes completos e contactos do serviço pós-venda, no endereço:

**www.2helpU.com.**



Quando as baterias chegarem ao fim da sua vida útil, elimine-as de forma segura para o ambiente. Retire as pilhas como indicado acima.

- ◆ Coloque as pilhas numa embalagem adequada, certificando-se de que os terminais não entram em curto-circuito.
- ◆ Leve as pilhas para uma estação de reciclagem local.

### Dados técnicos

		CG100
Tensão	Vdc	6
Sem velocidade de carga	mm/min	90 - 150
Tamanho das pilhas	Tipo	LR06 (AA)
Peso	g	950

## Declaração de conformidade CE

CG100

A Black & Decker declara que estes produtos estão em conformidade com:

98/37/EC, 89/336/EEC, EN 60745, EN 55014

LpA (pressão acústica) 61,6 dB(A),

LWA (potência acústica) 72,6 dB(A),

vibração medida da mão/do braço 0,18 m/s<sup>2</sup>,

KpA (imprecisão da pressão acústica) 3 dB(A),

Kwa (imprecisão de potência acústica) 3 dB(A),

Kevin Hewitt

Director de Engenharia de Consumo

Spennymoor, County Durham

DL16 6JG,

Reino Unido

06-12-2006

## Garantia

A Black & Decker confia na qualidade dos seus produtos e oferece uma garantia excelente. Esta declaração de garantia é um complemento dos seus direitos estabelecidos por lei, não os prejudicando de forma alguma. A garantia é válida nos territórios dos Estados Membros da União Europeia e da Associação Europeia de Comércio Livre.

Se um produto Black & Decker se avariar devido a defeitos de material, fabrico ou não conformidade, num período de 24 meses após a data da compra, a Black & Decker garante a substituição de peças defeituosas, a reparação de produtos sujeitos a um desgaste aceitável ou a substituição dos mesmos para garantir o mínimo de inconveniente ao cliente, excepto se:

- ◆ O produto tiver sido utilizado para fins comerciais, profissionais ou de aluguer.
- ◆ O produto tiver sido submetido a utilização indevida ou descuido.
- ◆ O produto tiver sido danificado por objectos estranhos, substâncias ou acidentes.
- ◆ Tiverem sido tentadas reparações por pessoas que não sejam agentes de reparação autorizados ou técnicos de manutenção da Black & Decker.

Para accionar a garantia, terá de apresentar comprovativos de compra ao vendedor ou a um agente de reparação autorizado. Pode verificar a localização do agente de reparação autorizado mais perto de si, contactando os escritórios locais da Black & Decker através do endereço indicado neste manual. Se preferir, pode encontrar na Internet uma lista de agentes de reparação autorizados Black & Decker, detalhes completos e contactos do serviço pós-venda, no endereço: **www.2helpU.com**



Visite o nosso website **[www.blackanddecker.eu](http://www.blackanddecker.eu)** para registrar o novo produto Black & Decker e manter-se actualizado relativamente a novos produtos e ofertas especiais. Pode encontrar mais informações sobre a marca Black & Decker e nossa gama de produtos em **[www.blackanddecker.eu](http://www.blackanddecker.eu)**.

## Användningsområde

Denna fogpistol från Black & Decker är avsedd att underlätta vid appliceringen av fog, lim, tätningemedel och fyllnadsmaterial på tub. Verktaget är endast avsett som konsumentverktyg.

## Allmänna säkerhetsregler

**Varning!** Samtliga anvisningar ska läsas. Om anvisningarna nedan inte följs kan det orsaka elektriska stötar, brand och/eller allvarliga kroppsskador. Begreppet "Elverktyg" i varningarna nedan avser nätdrivna elverktyg (med nätsladd) och batteridrivna elverktyg (sladdlösa).

SPARA DESSA SÄKERHETSANVISNINGAR.

### 1. Arbetsområde

- Håll arbetsplatsen ren och välbelyst.** Oordning på arbetsplatsen och dåligt belyst arbetsområde kan leda till olyckor.
- Undvik explosionsrisk och använd inte elverktuget i omgivningar med brandfarliga vätskor, gaser eller damm.** Elverktyg alstrar gnistor som kan antända dammet eller gaserna.
- Håll under arbetet med elverktuget barn och obehöriga personer på betryggande avstånd.** Om du störs av obehöriga personer kan du förlora kontrollen över elverktuget.

### 2. Elektrisk säkerhet

- Elverktugets stickkontakt måste passa till eluttaget. Stickkontakten får absolut inte ändras. Använd inte adapterkontakter tillsammans med jordade elverktyg.**  
Med oförändrade stickkontakter och passande vägguttag minskas risken för elstötar.
- Undvik kroppskontakt med jordade föremål som rör, värmeelement, spisar och kylskåp.** Risken att du får en elstöt är större om din kropp är jordad.
- Skydda elverktuget mot regn och väta.** Om vatten tränger in i ett elverktyg ökar risken för elektriska stötar.
- Hantera inte nätsladden ovarsamt. Använd inte sladden för att bära eller dra elverktuget och inte heller för att dra ut stickkontakten ur vägguttaget. Håll nätsladden borta från värme, olja, skarpa kanter och rörliga maskindelar.** Risken att du får en elstöt är större om sladdarna är skadade eller tilltrasslade.
- Använd endast förlängningssladdar som är godkända för utomhusbruk när du arbetar med elverktyg utomhus.** Om du använder en förlängningssladd som är avsedd för utomhusbruk minskar risken för att du ska få en elstöt.

### 3. Personlig säkerhet

- Var uppmärksam, se på vad du gör och använd elverktuget förnuftigt. Använd inte elverktyg när du är trött eller om du är påverkad av droger, alkohol eller mediciner.** När man använder elverktyg kan även en kort stunds ouppmärksamhet leda till allvarliga personskador.
  - Använd skyddsutrustning. Bär alltid skyddsglasögon.** Skyddsutrustning som t.ex. dammfiltermask, halkfria säkerhetsskor, hjälm eller hörselskydd som används vid lämpliga tillfällen minskar risken för kroppsskada.
  - Undvik att sätta på produkten av misstag. Se till att strömbrytaren är i frånslaget läge innan du ansluter produkten.** Olycksrisken är stor om du har fingret på strömbrytaren när du håller i elverktyg, eller ansluter elverktyg med strömbrytaren påslagen.
  - Ta bort alla justeringsverktyg och skruvnycklar innan du sätter på elverktuget.** En skruvnyckel eller en nyckel i en roterande del kan orsaka personskada.
  - Sträck dig inte för långt. Se till att du alltid har säker fötfäste och balans.** På så sätt kan du lättare kontrollera elverktuget i oväntade situationer.
  - Bär lämpliga kläder. Bär inte löst hängande kläder eller smycken. Håll undan hår, kläder och handskar från rörliga delar.** Löst hängande kläder, smycken och långt hår kan dras in av roterande delar.
  - Om verktuget har dammsugnings- och uppsamlingsutrustning ska du kontrollera att denna är korrekt ansluten och används på rätt sätt.** Med dessa anordningar minskas de risker som uppstår i situationer där damm bildas.
- ### 4. Bruk och skötsel av elverktyg
- Överbelasta inte elverktuget. Använd rätt elverktyg för det aktuella arbetet.** Med rätt elverktyg kan du arbeta bättre och säkrare med det som verktuget är avsett för.
  - Använd inte elverktuget om det inte går att sätta på och stänga av det med strömbrytaren.** Ett elverktyg som inte kan sättas på och stängas av med strömbrytaren är farligt och måste repareras.
  - Dra ut kontakten ur eluttaget innan du gör inställningar, byter delar eller lägger undan elverktuget.** Därmed minskar risken för att elverktuget sätts på av misstag.
  - Förvara elverktuget utom räckhåll för barn. Låt inte elverktuget användas av personer som inte är vana vid det eller som inte har läst denna bruksanvisning.** Elverktyg är farliga om de används av ovana personer.

- e. **Sköt elverktyget omsorgsfullt. Kontrollera att rörliga delar fungerar felfritt och inte kärvar, att alla delar är hela och att inget annat föreligger som kan påverka elverktygets funktioner. Om elverktyget är skadat ska du se till att få det reparerat innan det används.** Många olyckor orsakas av dåligt skötta elverktyg.
- f. **Håll skärverktyg vassa och rena.** Omsorgsfullt skötta skärverktyg med skarpa eggar fastnar inte så lätt och är lättare att hantera.
- g. **Använd elverktyget, tillbehör, insatsverktyg o.s.v. enligt dessa anvisningar och på det sätt som föreskrivs för den aktuella verktygsmodellen. Ta hänsyn till arbetsvillkoren och arbetsmomenten.** Om elverktyget används till annat än vad det är avsett för kan farliga situationer uppstå.

## 5. Service

- a. **Låt elverktyget repareras endast av utbildade reparatörer och med originalreservdelar.** Detta garanterar att elverktyget förblir säkert.

### Ytterligare säkerhetsanvisningar för fogpistolen

- ◆ **Håll händerna borta från kol- och skjutstångsområdet på fogpistolen.** Du kan klämma fingrarna mellan tubhållaren och kolven.
- ◆ **När du håller fogpistolen ovanför huvudet ska du se till att kolvskjutstången inte befinner sig i linje med dina ögon eller ditt huvud.** Kolvskjutstången kan tryckas tillbaka mot användaren. Bär alltid skyddsglasögon när du använder fogpistolen.
- ◆ **Läs och följ alltid tillverkarens anvisningar för fogmassa och lim.** Om du inte gör det kan du skada dig.
- ◆ **Arbeta alltid i välventilerade utrymmen och använd vid behov lämplig skyddsmask.** Vissa typer av fogmassa och lim avger giftiga ångor.
- ◆ **Använd inte förslutna fog- eller limtuber i fogpistolen.** Avlägsna alltid förslutningen och kontrollera att pipen inte är tilltäppt innan du använder produkten.
- ◆ **Se till att hastighetsväljaren är frånslagen innan du sätter i batterier** eller justerar eller rengör fogpistolen. Om fogpistolen sätts på av misstag kan olyckor inträffa.

### Ytterligare säkerhetsanvisningar för icke uppladdningsbara batterier

**Varning!** Batterier kan explodera eller läcka, vilket kan orsaka skada eller eldsvåda. Gör följande för att undvika denna risk:

- ◆ **Se till att hastighetsväljaren är avstängd innan du sätter i batteriet/batterierna.** Om du sätter i batterier i ett elverktyg eller en apparat med strömbrytaren påslagen kan det lätt inträffa en olycka.

- ◆ **Om batteriet hanteras ovarsamt kan vätska tränga ut från det. Undvik kontakt med vätskan.** Om du ändå råkar komma i kontakt med vätskan ska du skölja med vatten. Uppsök läkare om du får vätskan i ögonen. Batterivätska kan orsaka irritation eller brännskador.
- ◆ Var noga med att följa alla instruktioner och varningar på batteriet och förpackningen.
- ◆ Sätt alltid i batterier på rätt håll med hänsyn till polariteten (+ och -) som anges på batteriet och verktyget.
- ◆ Kortslut inte batteripolerna.
- ◆ Ladda inte upp batterierna.
- ◆ Blanda inte gamla och nya batterier. Byt ut alla batterier samtidigt och ersätt dem med nya av samma märke och typ.
- ◆ Förvara batterier utom räckhåll för barn.
- ◆ Ta ur batterierna om verktyget inte ska användas på flera månader.
- ◆ Försök aldrig att öppna batterierna.
- ◆ Förvara inte på platser där temperaturen kan bli högre än 40 °C.
- ◆ Följ instruktionerna som anges i avsnittet "Miljö" när du kastar batterierna.
- ◆ Kasserar inte batterierna genom förbränning.

### Funktioner

1. Foghållare
2. Tubhållgörare
3. Hastighetsväljare
4. Kolvskjutstång
5. Strömbrytare
6. Batterifack
7. Handledsrem

## Montering

### Isättning av batterier (bild A)

**Varning!** Använd endast batterier av storlek AA. Använd endast alkaliska batterier.

- ◆ Skjut luckan på batterifacket (6) framåt för att öppna facket.
- ◆ Sätt i fyra nya alkaliska AA-batterier (8) och se till så att de sitter korrekt med hänsyn till plus-(+) och minuspolerna (-).
- ◆ Stäng batterifackets (6) lock och sätt det på plats genom att skjuta det bakåt.

### Förberedning av fog- eller limtub (bild B)

- ◆ Följ tillverkarens rekommendationer när du väljer fogmassa eller lim så att du får rätt produkt för det aktuella arbetet.
- ◆ Klipp av toppen på tuben i sned vinkel. Ju längre upp du klipper, desto mindre blir öppningen. Ju mindre öppning, desto tunnare fogsträng.
- ◆ Tubhållgöraren (2) sitter på foghållaren (1) och kan användas för att göra hål i tubens innerförslutning eller för att få bort material som täpper till i en redan använd tub.

Innan du använder fogpistolens ska du kontrollera att det har gått hål på förslutningen och att inget ligger och täpper till i pipen. Annars kan det hända att materialet trycks ut på baksidan av pistolen.

### Isättning av fog- eller limtub (bild C och D)

- ◆ Dra kolvskjutstången (4) så långt bakåt att tuben får plats i foghållaren (1).
- ◆ Vrid foghållaren (1) moturs och ta ut den ur huvudfacket.
- ◆ Sätt i fog- eller limtuben i foghållaren (1).
- ◆ Sätt i foghållaren (1) i huvudfacket. Kontrollera att foghållaren (1) sitter rätt och vrid den medurs tills pilen på huvudfacket är jämsides med låssymbolen på foghållaren (1).
- ◆ Skjut kolvskjutstången (4) framåt tills den vilar mot tubens baksida.

### Borttagning av fog- eller limtub (bild C och E)

- ◆ Släpp strömbrytaren (5), sätt hastighetsväljaren (3) i fränslaget läge (0) och dra kolvskjutstången (4) bakåt.
- ◆ Vrid foghållaren (1) moturs och ta ut den ur huvudfacket.
- ◆ Ta ut tuben ur foghållaren (1).

## Användning

### Sätta på och stänga av (bild E)

- ◆ Skjut hastighetsväljaren (3) från det fränslagna läget (0) till höghastighetsläget (II).
- ◆ Tryck in strömbrytaren (5) för att börja lägga fogmassa eller lim.
- ◆ När materialet börjar flyta ut från tuben flyttar du hastighetsväljaren (3) till låghastighetsläget (I) om du vill få ökad kontroll över flödet.
- ◆ Släpp strömbrytaren (5) om du inte vill trycka ut mer material från tuben. Placera hastighetsväljaren (3) i fränslaget läge (0).

### Råd för bästa resultat

Flödet påverkas av pipens omkrets, temperaturen och det material som används.

Tillämpa ett jämnt tryck när du håller inne strömbrytaren (5). På så sätt får du en jämnare sträng och bättre materialfördelning.

**Varning!** Se till att hastighetsväljaren (3) är i fränslaget läge (0) innan du sätter i batterier eller justerar eller rengör fogpistolens. Om fogpistolens sätts på av misstag kan olyckor inträffa.

## Underhåll

Detta Black & Decker-verktyg har tillverkats för att fungera under lång tid med ett minimum av underhåll. Med rätt underhåll och regelbunden rengöring behåller verktyget sin prestanda.

- ◆ Rengör motorhuset regelbundet med en fuktig trasa. Använd aldrig rengöringsmedel med lösnings- eller slipmedel. Låt inte vätska komma in i verktyget. Doppa det aldrig i vätska.
- ◆ Torka bort fogmassa eller lim från de ställen där tuben sitter i foghållaren och huvudfacket.

## Miljö

### Separat insamling



Produkten får inte kastas i hushållssoporna.

Om du ska kassera verktyget ber vi dig att tänka på miljön. Black & Decker-verkstäder tar emot gamla Black & Decker-verktyg och ser till att de omhändertas på ett miljövänligt sätt.



Insamling av uttjänta produkter och förpackningsmaterial gör att material kan återanvändas. Användning av återvunnet material minskar föroreningar av miljön och behovet av råmaterial.

Lokala föreskrifter kan kräva separat insamling av elprodukter från hushållen, vid kommunala samlingsplatser eller hos återförsäljaren när du köper en ny produkt.

Black & Decker samlar in och återvinner uttjänta Black & Decker-produkter. Om du vill utnyttja denna tjänst återlämnar du produkten till en auktoriserad verkstad, som samlar in den för vår räkning.

För information om närmaste auktoriserade verkstad, kontakta det lokala Black & Decker-kontoret på den adress som är angiven i bruksanvisningen. En lista på alla auktoriserade verkstäder samt servicevillkor finns även tillgängliga på Internet: [www.2helpU.com](http://www.2helpU.com).



Kassera batterierna på ett miljövänligt sätt när de är förbrukade. Ta ut batterierna enligt beskrivningen ovan.

- ◆ Packa in batterierna så att polerna inte kan kortslutas.
- ◆ Ta med batterierna till en återvinningsstation.

### Tekniska data

		<b>CG100</b>
Spänning	Vdc	6
Tomgångshastighet	mm/min	90–150
Batteristorlek	Typ	LR06 (AA)
Vikt	g	950

## EC-förklaring om överensstämmelse

CG100

Black & Decker förklarar att dessa produkter överensstämmer med:

98/37/EC, 89/336/EEC, EN 60745, EN 55014


Lpa (ljudtrycknivå) 61,6 dB(A),

Lwa (ljudeffektnivå) 72,6 dB(A),

vibrationspåverkan på hand/arm 0,18 m/s<sup>2</sup>,

Kpa (osäkerhet, bullertryck) 3 dB(A),

Kwa (osäkerhet, bullereffekt) 3 dB(A),



Kevin Hewitt  
 Director of Consumer Engineering  
 Spennymoor, County Durham  
 DL16 6JG,  
 Storbritannien  
 06-12-2006

## Garanti

Black & Decker garanterar att produkten är fri från material- och/eller fabriktionsfel vid leverans till kund. Garantin gäller utöver konsumentens rättigheter enligt lag och påverkar inte dessa. Garantin gäller inom medlemsstaterna i Europeiska Unionen och i det Europeiska Frihandelsområdet.

Om en Black & Decker-produkt går sönder på grund av material- och/eller fabriktionsfel eller brister i överensstämmelse med specifikationen, inom 24 månader från köpet, åtar sig Black & Decker att reparera eller byta ut produkten med minsta besvär för kunden, förutom om:

- ◆ Produkten har använts i kommersiellt, yrkesmässigt eller uthyringssyfte.
- ◆ Produkten har utsatts för felaktig användning eller skötsel.
- ◆ Produkten har skadats av främmande föremål, ämnen eller genom olyckshändelse.
- ◆ Reparation har utförts av någon annan än en auktoriserad Black & Decker-verkstad.

För att utnyttja garantin skall produkten och inköpskvittot lämnas till återförsäljaren eller till en auktoriserad verkstad senast 2 månader efter det att felet har upptäckts. För information om närmaste auktoriserade verkstad, kontakta det lokala Black & Decker-kontoret på den adress som anges i bruksanvisningen. En förteckning över alla auktoriserade verkstäder samt servicevillkor finns även tillgängliga på Internet: **[www.2helpU.com](http://www.2helpU.com)**

Besök vår webbplats **[www.blackanddecker.se](http://www.blackanddecker.se)** för att registrera din nya Black & Decker-produkt samt för att erhålla information om nya produkter och specialerbjudanden. Vidare information om märket Black & Decker och vårt produktsortiment återfinns på

**[www.blackanddecker.se](http://www.blackanddecker.se)**.

## Bruksområde

Black & Decker fugepistol er konstruert for å bidra til påføring av fugemasse, lim, tetningsmasse og fyllmaterialer fra beholdere. Verktøyet er tiltenkt kun som konsumentverktøy.

## Generelle sikkerhetsforskrifter

**Advarsel!** Les gjennom alle anvisningene. Hvis anvisningene nedenfor ikke overholdes, kan det medføre elektrisk støt, brann og/eller alvorlige skader. Uttrykket "elektroverktøy" i alle advarslene nedenfor gjelder for strømndrevne elektroverktøy (med ledning) og batteridrevne elektroverktøy (uten ledning).

TA GODT VARE PÅ DISSE ANVISNINGENE.

### 1. Arbeidsområdet

- Hold arbeidsområdet rent og godt opplyst.** Rotete arbeidsområder og arbeidsområder uten lys kan føre til ulykker.
- Ikke arbeid med elektroverktøy i eksplosjonsfarlige omgivelser – der det finnes seg brennbare væsker, gass eller støv.** Elektroverktøy forårsaker gnister som kan antenne støv eller damper.
- Hold barn og andre personer unna når elektroverktøyet brukes.** Hvis du blir forstyrret under arbeidet, kan du miste kontrollen.

### 2. Elektrisk sikkerhet

- Støpset til elektroverktøyet må passe inn i stikkkontakten. Støpset må ikke forandres på noen som helst måte. Ikke bruk adapterstøpsler sammen med jordede elektroverktøy.** Bruk av originale støpsler og passende stikkontakter reduserer risikoen for elektrisk støt.
- Unngå kroppskontakt med jordede overflater som rør, radiatorer, komfyrer og kjøleskap.** Det er større fare for elektrisk støt dersom kroppen din er jordet.
- Hold elektroverktøy unna regn eller fuktighet.** Dersom det kommer vann i et elektroverktøy, øker faren for elektrisk støt.
- Unngå uforvarlig behandling av ledningen.** Elektroverktøyet må aldri bæres eller trekkes etter ledningen, og trekk heller ikke ut støpset ved å rykke i ledningen. Hold ledningen unna varme, olje, skarpe kanter eller bevegelige deler. Med skadde eller sammenflokede ledninger øker risikoen for elektrisk støt.
- Når du arbeider utendørs med et elektroverktøy, må du kun bruke en skjøteledning som er godkjent til utendørs bruk.** Når du bruker en skjøteledning som er egnet for utendørs bruk, reduseres risikoen for elektrisk støt.

### 3. Personikkerhet

- Vær oppmerksom, pass på hva du gjør, og gå fornuftig frem når du arbeider med et elektroverktøy. Ikke bruk elektroverktøy når du er trett eller er påvirket av narkotika, alkohol eller medikamenter.** Et øyeblikks uoppmerksomhet under bruk av verktøyet kan føre til alvorlige personskader.
  - Bruk personlig verneutstyr. Bruk alltid vernebriller.** Bruk av personlig verneutstyr, for eksempel støvmaske, sklisliske vemesko, hjelm eller hørselsvern som passer til forholdene, reduserer risikoen for personskader.
  - Unngå utilsiktet start av elektroverktøyet. Pass på at bryteren er i stillingen av før du setter i støpset.** Hvis du bærer elektroverktøy med fingeren på bryteren eller setter i støpset når bryteren er på, er det stor risiko for ulykker.
  - Fjern innstillingsverktøy eller skrunøkler før du slår på elektroverktøyet.** Et verktøy eller en nøkkel som befinner seg i en roterende del, kan forårsake personskade.
  - Ikke strekk deg for langt. Pass på at du alltid har sikkert foffeste og god balanse.** Da kan du kontrollere elektroverktøyet bedre i uventede situasjoner.
  - Bruk alltid egnede klær. Ikke bruk løstsittende klær eller smykker. Hold hår, klær og hansker unna bevegelige deler.** Løstsittende tøy, smykker eller langt hår kan komme inn i bevegelige deler.
  - Hvis det kan monteres støvavsug- og oppsamlingsinnretninger, må du forvise deg om at disse er tilkopleet og brukes på riktig måte.** Bruk av disse innretningene reduserer faren i forbindelse med støv.
- ### 4. Aktsom håndtering og bruk av elektroverktøy
- Ikke bruk makt på elektroverktøyet. Bruk et elektroverktøy som er beregnet på den type arbeid du vil utføre.** Med et passende elektroverktøy arbeider du bedre og sikrere i det angitte effektområdet.
  - Ikke bruk elektroverktøy med defekt strømbryter.** Et elektroverktøy som ikke kan kontrolleres med bryteren, er farlig og må repareres.
  - Trekk støpset ut av stikkkontakten før du utfører innstillinger på elektroverktøyet, skifter tilbehørsdeler eller legger elektroverktøyet bort.** Disse tiltakene reduserer risikoen for en utilsiktet start av elektroverktøyet.
  - Elektroverktøy som ikke er i bruk, må oppbevares utilgjengelig for barn. Ikke la verktøyet brukes av personer som ikke er fortrolig med det, eller som ikke har lest denne bruksanvisningen.** Elektroverktøy er farlige når de brukes av uerfarne personer.

- e. **Vær nøye med vedlikehold av elektroverktøy. Kontroller om bevegelige deler fungerer feilfritt og ikke klemmes fast, om deler er brukt eller skadet og andre forhold som kan innvirke på elektroverktøyet funksjon. Hvis elektroverktøyet er skadet, må det repareres før bruk.** Dårlig vedlikeholdte elektroverktøy er årsaken til mange uhell.
- f. **Hold skjæreverktøy skarpe og rene.** Godt vedlikeholdte skjæreverktøy med skarpe egger setter seg ikke så ofte fast og er lettere å føre.
- g. **Bruk elektroverktøy, tilbehør, bits osv. i henhold til disse anvisningene og slik det er foreskrevet for denne spesielle verktøytypen. Ta hensyn til arbeidsforholdene og arbeidet som skal utføres.** Bruk av elektroverktøy til andre formål enn det som er angitt, kan føre til farlige situasjoner.
5. **Service**
- a. **Elektroverktøy skal alltid repareres av kvalifisert personell og kun med originale reservedeler.** Dette sikrer at elektroverktøyet sikkerhet opprettholdes.

#### Ekstra sikkerhetsinstruksjoner for fugepistolen

- ◆ **Hold hendene unna området for stempel og stang på fugepistolen.** Fingrene kan bli klemt mellom holderen for beholderen og stempelet.
- ◆ **Når du har fugepistolen over hodet ved bruk, må du ikke ha stempelstangen rettet mot øynene eller hodet.** Stempelstangen kan gli tilbake mot brukeren. Bruk alltid vernebriller når du bruker fugepistolen.
- ◆ **Du må alltid lese og følge produsentenes instruksjoner når det gjelder fugemasse og lim.** Unnlatelse kan føre til personskade.
- ◆ **Arbeid alltid i et godt ventilert område, og bruk passende pustemaske om nødvendig.** Damp fra noen fugemasser og limtyper kan være giftige.
- ◆ **Ikke bruk fugepistolen med en forseglet fugemasse eller limbeholder.** Fjern alltid eventuelle forseglinger, og pass på at munnstykket ikke er blokkert før bruk.
- ◆ **Pass på at hastighetsvelgeren er i stillingen av før du setter inn batteriene,** justerer eller rengjør. Utilsiktet start kan føre til skader.

#### Ytterligere sikkerhetsinstruksjoner for ikke oppladbare batterier.

**Advarsel!** Batterier kan eksplodere eller lekke og kan forårsake personskade eller brann. Slik reduserer du risikoen:

- ◆ **Pass på at hastighetsvelgeren er i stillingen av før du setter inn batteri(er).** Dersom batterier settes inn i elektroverktøy som er slått på, er det fare for ulykker.
- ◆ **Under forhold med feil stell kan det lekke væske fra batteriet; unngå å berøre det.** Dersom du i vanvare kommer i berøring med batteriet, må du skylle med vann.

Får du batterivæske i øynene, må du i tillegg oppsøke lege. Væske som lekker fra batteriet, kan forårsake irritasjoner eller forbrenninger.

- ◆ Følg nøye alle instruksjoner og advarsler på batterietiketten og pakningen.
- ◆ Sett alltid inn batteriene korrekt når det gjelder merking av poler (+ og -) på batteriet og utstyret.
- ◆ Ikke kortslutt batteriterminaler.
- ◆ Ikke lad opp batterier.
- ◆ Ikke bland nye og gamle batterier. Bytt alle samtidig med nye batterier av samme merke og type.
- ◆ Oppbevar batterier utilgjengelig for barn.
- ◆ Ta ut batteriene hvis enheten ikke skal brukes på flere måneder.
- ◆ Forsøk ikke å åpne uansett hvilket formål du måtte ha.
- ◆ Oppbevar ikke på steder der temperaturen kan overskride 40 °C.
- ◆ Følg instruksene som finnes i avsnittet "Miljø" når du skal kaste batterier.
- ◆ Ikke brenn batteriene.

#### Funksjoner

1. Massetransportør
2. Forseglingsåpner
3. Hastighetsvelger
4. Stempelstang
5. Utløser
6. Batterirom
7. Håndleddsstropp

#### Montering

##### Sette inn batterier (figur A)

**Advarsel!** Bruk bare AA-batterier. Bruk bare alkaliske batterier.

- ◆ Skyv lokket til batterirommet (6) forover for å åpne.
- ◆ Sett inn fire nye alkaliske batterier (8). Pass på å matche (+) positiv og (-) negativ terminal korrekt.
- ◆ Lukk lokket til batterirommet (6), og skyv det bakover for å låse det.

##### Forberedelse av beholderen med fugemasse eller lim (figur B).

- ◆ Følg produsentens anbefalinger når det gjelder valg av fugemasse eller lim som passer for jobben.
- ◆ Kutt munnstykket på beholderen på skrå. Jo nærmere enden av munnstykket du skjærer, desto trangere blir åpningen. Jo mindre åpning, desto smalere streng med fugemasse.
- ◆ Forseglingsåpneren (2) er plassert på massetransportøren (1) og kan brukes til å bryte den indre forseglingen i beholderen eller fjerne blokkeringer fra en delvis brukt beholder.

Pass på at forseglingen er brutt og at munnstykket er uten blokkeringer før bruk. Hvis ikke kan materialet bli presset ut bak på pistolen.

## Innsetting av beholderen med fugemasse eller lim (figur C og D).

- ◆ Trekk stempelstangen (4) tilbake langt nok til at beholderen passer i masstransportøren (1).
- ◆ Vri masstransportøren (1) mot klokken, og ta den ut av hovedhuset.
- ◆ Sett inn beholderen med fugemasse eller lim i masstransportøren (1).
- ◆ Sett inn masstransportøren (1) i hovedhuset. Kontroller at masstransportøren (1) er justert riktig, og vri den med klokken til pilen på hovedhuset står overfor låsesymbolet på masstransportøren (1).
- ◆ Skyv stempelstangen (4) fremover til den hviler mot baksiden av beholderen.

## Fjerning av beholderen med fugemasse eller lim (figur C og E).

- ◆ Slipp utløseren (5), sett hastighetsvelgeren (3) på av (0), og trekk stempelstangen (4) tilbake.
- ◆ Vri masstransportøren (1) mot klokken, og ta den ut av hovedhuset.
- ◆ Fjern beholderen fra masstransportøren (1).

## Bruk

### Start og stopp (figur E)

- ◆ Flytt hastighetsvelgeren (3) fra stillingen av (0) til stillingen høy hastighet (II).
- ◆ Trekk i utløseren (5) for å begynne å plassere fugemasse eller lim.
- ◆ Når materialet begynner å komme ut av beholderen, flytter du hastighetsvelgeren (3) til stillingen lav hastighet (I) hvis du trenger bedre kontroll over strømmen av materialet.
- ◆ Slipp utløseren (5) for å slutte å presse ut materiale fra beholderen. Sett hastighetsvelgeren (3) i stillingen av (0).

### Råd for optimal bruk

Diameteren til munnstykket, temperaturen og typen materiale vil påvirke flythastigheten.

Trekk i utløseren (5) med jevn kraft for å få mer enhetlig streng og plassering av materiale.

**Advarsel!** Pass på at hastighetsvelgeren (3) er i stillingen av (0) før du setter inn batteriene, justerer eller rengjør. Utsikket start kan føre til skader.

## Vedlikehold

Black & Decker-verktøyet ditt er konstruert for å være i drift over lengre tid med et minimum av vedlikehold. Det er avhengig av god vedlikehold og regelmessig rengjøring for å fungere som det skal til enhver tid.

- ◆ Rengjør motorhuset regelmessig med en ren, fuktig klut. Ikke bruk slipende eller løsemiddelbaserte rengjøringsmidler. La det aldri sive væske inn i verktøyet, og senk aldri noen deler av verktøyet ned i væske.
- ◆ Fjern eventuelt fugemateriale eller lim fra beholderområdene på masstransportøren og hovedhuset.

## Miljø

### Separat fjerning



Dette produktet må ikke kastes sammen med husholdningsavfall.

Når verktøyet er utslitt, bør det kasseres på en miljøvennlig måte. Black & Decker-serviceverkstedene tar i mot gamle Black & Decker-verktøy og kasserer dem på en miljømessig forsvarlig måte.



Hvis brukte produkter og emballasje leveres atskilt, kan materialer resirkuleres og brukes på nytt. Resirkulering av brukte produkter gir redusert miljøforurensning og mindre behov for råmaterialer.

Det kan være lokale bestemmelser for egen innsamling av elektriske produkter fra husstander, på kommunale avfallsplasser eller hos forhandleren når du kjøper et nytt produkt.

Black & Decker tar i mot brukte Black & Decker-produkter for resirkulering. Du kan levere produktet til et autorisert serviceverksted.

For informasjon om nærmeste autoriserte serviceverksted, kontakt ditt lokale Black & Decker-kontor på den adressen som er angitt i bruksanvisningen. Det finnes også en liste over autoriserte Black & Decker-serviceverksteder og opplysninger om ettersalgsservice og kontakter på Internett: [www.2helpU.com](http://www.2helpU.com).



Tenk på miljøet når batteriene er tomme og du skal kaste dem. Ta ut batteriene som beskrevet ovenfor.

- ◆ Ha batteriet i passende emballasje for å sikre at ikke terminalene kan kortsluttes.
- ◆ Ta med batteriene til en lokal miljøstasjon.



**Tekniske data**

		<b>CG100</b>
Spenning	V DC	6
Hastighet ubelastet	mm/min	90–150
Batteristørrelse	Type	LR06 (AA)
Vekt	g	950

**Samsvarserklæring for EU**

CG100

Black &amp; Decker erklærer at disse produktene overholder:

98/37/EC, 89/336/EEC, EN 60745, EN 55014

LpA (lydtrykk) 61,6 dB(A)

LWA (akustisk effekt) 72,6 dB(A),

hånd/arm-vektet vibrasjon 0,18 m/s<sup>2</sup>,

KpA (lydtrykksusikkerhet) 3 dB(A)

KWA (usikkerhet i akustisk effekt) 3 dB(A)



Kevin Hewitt  
Direktør for forbrukerteknikk  
Spennymoor, County Durham  
DL16 6JG,  
Storbritannia  
6.12.2006

**Garanti**

Black & Decker er trygg på kvaliteten til sine produkter og tilbyr en enestående garanti. Denne garantierklæringen kommer i tillegg til dine lovbestemte rettigheter, og er ikke i konflikt med disse. Garantien er gyldig i EU- og EFTA-medlemsstatene.

Hvis et Black & Decker-produkt går i stykker på grunn av material- og/eller fabrikkasjonsfeil eller har mangler i forhold til spesifikasjonene, innen 24 måneder fra kjøpet, påtar Black & Decker seg å skifte ut defekte deler, reparere produkter som har vært utsatt for alminnelig slitasje, eller bytte ut slike produkter med minst mulig vanskelighet for kunden, med mindre:

- ◆ produktet har vært brukt i yrkes-/næringsvirksomhet eller til utleie.
- ◆ produktet har vært utsatt for feilaktig bruk eller mislighold.
- ◆ produktet har blitt skadet av fremmede gjenstander eller stoffer eller ved et uhell.
- ◆ reparasjoner er forsøkt utført av andre enn autoriserte serviceverksteder eller Black & Deckers serviceteknikere.

For å ta garantien i bruk skal produktet og kjøpekvitteing leveres til forhandleren eller til et autorisert serviceverksted. For informasjon om nærmeste autoriserte serviceverksted, kontakt ditt lokale Black & Decker-kontor på den adressen som er angitt i bruksanvisningen. En oversikt over autoriserte serviceverksteder og opplysninger om ettersalgsservice og kontakter er også tilgjengelig på Internett:

**www.2helpU.com**

Besøk vårt webområde **www.blackanddecker.no** for å registrere ditt nye Black & Decker-produkt og for å holde deg oppdatert om nye produkter og spesialtilbud. Du finner mer informasjon om Black & Decker og produktutvalget vårt på **www.blackanddecker.no**.

## Anvendelsesområde

Black & Decker-fugepistolen er beregnet til påføring af fuge-, klæbe-, tætnings- og spartelmasse fra patroner. Værktøjet er kun beregnet til privat brug.

## Generelle sikkerhedsregler

**Advarsel!** Læs alle instruktionerne. Hvis nedenstående instruktioner ikke følges, kan der opstå risiko for elektrisk stød, brand og/eller alvorlige personskader. Begrebet "elværktøj", der benyttes i alle nedenstående advarsler, henviser til netdrevet (med netledning) eller batteridrevet værktøj (uden netledning). DISSE INSTRUKTIONER BØR OPBEVARES TIL SENERE BRUG.

### 1. Arbejdsområde

- a. **Sørg for, at arbejdsområdet er rent og ordentligt oplyst.** Uordentlige og uoplyste arbejdsområder øger faren for uheld.
- b. **Brug ikke elværktøj i eksplosionstruede omgivelser, f.eks. hvor der er brændbare væsker, gasser eller støv.** Elværktøj kan slå gnister, der kan antænde støv eller dampe.
- c. **Sørg for, at børn og andre personer holder sig på afstand, når elværktøjet er i brug.** Hvis man bliver distraheret, kan man miste kontrollen over værktøjet.

### 2. Elektricitet og sikkerhed

- a. **Elværktøjsstik skal passe til stikkontakten. Stikket må under ingen omstændigheder ændres. Brug ikke adapterstik sammen med jordforbundet elværktøj.** Uændrede stik, der passer til stikkontakterne, nedsætter risikoen for elektrisk stød.
- b. **Undgå kropskontakt med jordforbundne overflader som f.eks. rør, radiatorer, komfurer og køleskabe.** Hvis din krop er jordforbundet, øges risikoen for elektrisk stød.
- c. **Elværktøj må ikke udsættes for regn eller fugt.** Indtrængen af vand i elværktøj øger risikoen for elektrisk stød.
- d. **Undgå at ødelægge ledningen. Undgå at bære, trække eller afbryde elværktøjet ved at rykke i ledningen. Beskyt ledningen mod varme, olie, skarpe kanter eller maskindele, der er i bevægelse.** Beskadede eller udviklede ledninger øger risikoen for elektrisk stød.
- e. **Hvis elværktøj benyttes i det fri, skal der benyttes en forlængerledning, som er godkendt til udendørs brug.** Brug af en forlængerledning til udendørs brug nedsætter risikoen for elektrisk stød.

### 3. Personlig sikkerhed

- a. **Det er vigtigt at være opmærksom, holde øje med, hvad man laver, og bruge elværktøjet fornuftigt.**

**Maskinen bør ikke benyttes, hvis man er træt, har nydt alkohol eller er påvirket af medicin, eller euforiserende stoffer.** Få sekunders uopmærksomhed ved brug af elværktøj kan føre til alvorlige personskader.

- b. **Brug sikkerhedsudstyr. Bær altid beskyttelsesbriller.** Brug af sikkerhedsudstyr som f.eks. støvmaske, skridsikkert fodtøj, beskyttelseshjelm eller hørevern nedsætter risikoen for personskader, hvis udstyret anvendes korrekt.
  - c. **Undgå utilsigtet igangsætning. Kontroller, at kontakten står på slukket inden tilslutning.** Bæres elværktøj, mens fingeren er på kontakten, eller tilsluttes det, mens kontakten står på tændt, kan der nemt ske en ulykke.
  - d. **Fjern indstillingsværktøj eller skruenøgle, inden elværktøjet tændes.** Et værktøj eller en nøgle, der efterlades i en roterende del i elværktøjet, kan resultere i personskader.
  - e. **Stræk dig ikke for langt frem. Sørg for, at du altid har sikkert fodfæste og balance.** Det gør det nemmere at kontrollere elværktøjet, hvis der skulle opstå uventede situationer.
  - f. **Brug egnet arbejdstøj. Undgå løse beklædningsgenstande eller smykker. Hold hår, tøj og handsker væk fra dele, der bevæger sig.** Bevægelige dele kan gribe fat i løstsiddende tøj, smykker eller langt hår.
  - g. **Hvis støvudsugnings- og opsamlingsudstyr kan monteres, skal det sikres, at det tilsluttes og benyttes korrekt.** Brug af dette udstyr nedsætter risikoen for skader forårsaget af støv.
- ### 4. Brug og vedligeholdelse af elværktøj
- a. **Undgå at overbelaste elværktøjet. Brug altid det rette elværktøj til opgaven.** Med det rigtige elværktøj udføres arbejdet lettere og sikrere og i det tempo, som værktøjet er beregnet til.
  - b. **Brug ikke elværktøjet, hvis afbryderen er defekt.** Elværktøj, der ikke kan reguleres med kontakten, er farligt og skal repareres.
  - c. **Træk stikket ud af stikkontakten inden indstilling, tilbehørsudskiftning eller opbevaring af elværktøjet.** Disse sikkerhedsforanstaltninger reducerer risikoen for utilsigtet start af værktøjet.
  - d. **Opbevar ubenyttet elværktøj uden for børns rækkevidde. Lad aldrig personer, der ikke er fortrolige med elværktøj, eller som ikke har gennemlæst disse instrukser, benytte maskinen.** Elværktøj er farligt, hvis det benyttes af ukyndige personer.

e. **Elværktøj bør vedligeholdes omhyggeligt. Kontroller, om bevægelige dele fungerer korrekt og ikke sidder fast, og om delene er brækket eller beskadiget, således at elværktøjets funktion påvirkes. Få beskadigede dele repareret, inden elværktøjet tages i brug.** Mange uheld skyldes dårligt vedligeholdt elværktøj.

f. **Sørg for, at skæreværktøjer er skarpe og rene.**

Omhyggeligt vedligeholdt skæreværktøjer med skarpe skærekanter sætter sig ikke så hurtigt fast og er nemmere at styre.

g. **Brug elværktøj, tilbehør, indsatsværktøj osv. i overensstemmelse med disse instruktioner, og sådan som det kræves for den pågældende værktøjstype under hensyntagen til arbejdsforholdene og arbejdet, der skal udføres.** I tilfælde af anvendelse af elværktøjet til formål, som ligger uden for det fastsatte anvendelsesområde, kan der opstå farlige situationer.

## 5. Service

a. **Sørg for, at elværktøjet kun reparerer af kvalificerede fagfolk, og at der kun benyttes originale reservedele.** Dermed opretholdes elværktøjets sikkerhed.

### Yderligere sikkerhedsvejledninger for fugepistolen

- ◆ **Hold hænderne på afstand af fugepistolens stempel- og stang-område.** Fingrene kan blive knust mellem patronholderen og stemplet.
- ◆ **Stempelstangen må ikke have retning mod dine øjne eller dit hoved, når fugepistolen anvendes over hovedhøjde.** Stempelstangen kan smutte tilbage mod brugeren. Bær altid beskyttelsesbriller, når fugepistolen anvendes.
- ◆ **Læs og følg altid alle producentens sikkerhedsvejledninger vedrørende fuge- og klæbemasse.** I modsat fald kan der opstå personskader.
- ◆ **Arbejd altid på steder med tilstrækkelig ventilation, og bær om nødvendigt åndedrætsværn.** Dampe fra visse fuge- og klæbemasser kan være skadelige.
- ◆ **Anvend ikke fugepistolen med en forseglede fuge- eller klæbemassepatron.** Fjern altid forseglingen inden brug, og kontroller, at dysen ikke er blokeret.
- ◆ **Kontroller, at kontakten til valg af hastighed står på slukket inden isætning af batteri, justering eller rengøring.** Utilsiget start kan medføre personskader.

### Yderligere sikkerhedsvejledninger til ikke-

#### nyopladelige batterier

**Advarsel!** Batterier kan eksplodere eller lække og kan medføre personskader eller brand. Sådan reduceres risikoen:

- ◆ **Kontroller, at kontakten til valg af hastighed står på slukket inden isætning af batteri(er).** Det kan give anledning til ulykker, hvis der sættes batterier i et elværktøj, der er tændt.

### ◆ I visse situationer kan batteriet lække. Undgå

- kontakt.** Skyl med vand i tilfælde af kontakt. Søg læge, hvis væsken kommer i kontakt med øjnene. Væske, der lækker fra batteriet, kan forårsage irritation eller forbrændinger.
- ◆ Følg omhyggeligt alle instruktioner og advarsler på batteriets etikette og emballage.
- ◆ Isæt altid batterier med korrekt polaritet (+ og -), hvilket fremgår af batteriet og udstyret.
- ◆ Kortslut ikke batteriets terminaler.
- ◆ Oplad ikke batterier.
- ◆ Bland ikke gamle og nye batterier. Udskift dem alle samtidigt med nye batterier af samme mærke og type.
- ◆ Opbevar batterier utilgængeligt for børn.
- ◆ Tag batterierne ud, hvis enheden ikke skal anvendes i flere måneder.
- ◆ Forsøg aldrig at åbne uanset årsag.
- ◆ Opbevar ikke på steder, hvor temperaturen kan overstige 40 °C.
- ◆ Følg ved bortskaffelse af batterier vejledningen i afsnittet "Miljø".
- ◆ Brænd ikke batterierne.

### Funktioner

1. Slæde
2. Forseglingspind
3. Kontakt til valg af hastighed
4. Stempelstang
5. Startknap
6. Batterirum
7. Håndledsrem

## Montering

### Isætning af batterier (fig. A)

**Advarsel!** Brug kun batterier i AA-størrelse. Brug kun alkaline-batterier.

- ◆ Skub dækslet over batterirummet (6) frem for at åbne det.
- ◆ Isæt fire nye AA alkaline-batterier (8), kontroller, at de (+) positive og (-) negative terminaler samles korrekt.
- ◆ Luk dækslet over batterirummet (6), og lad det glide tilbage, så det låses på plads.

### Klargøring af fuge- og klæbemassepatronen (fig. B)

- ◆ Følg producentens anbefaling i forbindelse med valg af fuge- og klæbemasse til opgaven.
- ◆ Skær dysen vinkelret af patronen. Jo nærmere dysens spids, der skæres, desto mindre bliver åbningen. Jo mindre åbningen er, desto mindre materiale udsendes.
- ◆ Forseglingspinden (2) er placeret på slæden (1) og kan bruges til at prikke hul i patronens indvendige forsegling eller til at fjerne blokeringer i en delvist opbrugt patron.

Kontroller inden brug, at der er prikket hul i forsejlingen, og at dysen ikke er blokeret. I modsat fald kan materialet blive tvunget bagud af pistolen.

## Isætning af fuge- og klæbemassepatronen (fig. C & D)

- ◆ Træk stempelstangen (4) så langt tilbage, at patronen kan komme ind i slæden (1).
- ◆ Drej slæden (1) mod uret, og tag den ud af huset.
- ◆ Sæt fuge- eller klæbemassepatronen i slæden (1).
- ◆ Sæt slæden (1) i huset. Kontroller, at slæden (1) er placeret korrekt, og drej den med uret, indtil pilen på huset er ud for låsesymbolet på slæden (1).
- ◆ Skub stempelstangen (4) fremad, indtil den hviler bag på patronen.

## Udtagning af fuge- og klæbemassepatronen (fig. C & E)

- ◆ Slip startknappen (5), sæt kontakten til valg af hastighed (3) på slukket (0), og træk stempelstangen (4) tilbage.
- ◆ Drej slæden (1) mod uret, og tag den ud af huset.
- ◆ Tag patronen ud af slæden (1).

## Anvendelse

### Sådan tændes og slukkes der (fig. E)

- ◆ Flyt kontakten til valg af hastighed (3) fra slukket position (0) til positionen for høj hastighed (II).
- ◆ Tryk på startknappen (5), så der udsendes fuge- eller klæbemasse.
- ◆ Flyt kontakten til valg af hastighed (3) til positionen for lav hastighed (I), når materialet begynder at løbe ud af patronen, hvis der ønskes mere kontrol over strømmen af materiale.
- ◆ Slip startknappen (5) for at stoppe udsendelsen af materialet fra patronen. Sæt kontakten til valg af hastighed (3) på slukket position (0).

### Gode råd til optimal brug

Hastigheden, hvormed materialet udsendes, afhænger af dysens diameter, temperaturen og typen af materiale, der anvendes.

Tryk regelmæssigt på startknappen (5) for at opnå en mere ensartet stråle og materialestrøm.

**Advarsel!** Kontroller, at kontakten til valg af hastighed (3) står på slukket (0) inden isætning af batterier, justering eller rengøring. Utilsigtet start kan medføre personskader.

### Vedligeholdelse

Dit Black & Decker-værktøj er beregnet til at være i drift gennem en længere periode med minimal vedligeholdelse. Fortsat tilfredsstillende drift afhænger af korrekt behandling af værktøjet samt regelmæssig rengøring.

- ◆ Rens med jævne mellemrum motorhuset med en fugtig klud. Der må ikke bruges skure- eller opløsningsmidler. Lad aldrig væske trænge ind i værktøjet, og nedsænk aldrig nogen del af værktøjet i væske.
- ◆ Fjern fuge- eller klæbemassen de steder, hvor patronen berører slæden og huset.

## Miljø

### Særlig bortskaffelse



Dette produkt må ikke bortskaffes sammen med almindeligt husholdningsaffald.

Tænk på miljøet, når værktøjet er udtjent, eller du ikke længere har brug for det. Black & Decker-værksteder modtager gammelt Black & Decker-værktøj og sørger for, at det bortskaffes på en miljørigtig måde.



Ved adskilt bortskaffelse af brugte produkter og emballage bliver der mulighed for at genanvende forskellige stoffer. Genanvendelse af stoffer medvirker til at forebygge miljøforurening og mindsker behovet for råstoffer.

Lokal lovgivning kan kræve separat indsamling af elprodukter fra husholdningen, ved kommunale affaldsdepoter eller af den detailhandlende ved køb af et nyt produkt.

Black & Decker sørger for at indsamle og genanvende Black & Decker-produkter, når disse ikke længere kan bruges. Hvis du vil benytte dig af denne service, skal du returnere produktet til et autoriseret værksted, der indsamler produkterne for os.

Kontakt det lokale Black & Decker-kontor på den adresse, som er opgivet i denne vejledning, for at få oplysninger om det nærmeste autoriserede værksted. En liste over alle autoriserede Black & Decker-serviceværksteder samt servicevilkår og kontaktpersoner er tilgængelig på internettet på adressen: [www.2helpU.com](http://www.2helpU.com).



Når batterier er udtjente, skal de bortskaffes under passende hensyntagen til miljøet. Tag batterierne ud som beskrevet ovenfor.

- ◆ Anbring batterierne i en egnet emballage for at sikre, at terminalerne ikke kortsluttes.
- ◆ Aflever batterierne på en lokal genbrugsstation.

### Tekniske data

		CG100
Spænding	Vdc	6
Hastighed uden belastning	mm/min	90 - 150
Batteristørrelse	Type	LR06 (AA)
Vægt	g	950

## EU overensstemmelseserklæring

CG100

Black & Decker erklærer, at disse produkter er i overensstemmelse med følgende:

98/37/EF, 89/336/EØF, EN 60745, EN 55014

LpA (lydtryk) 61,6 dB(A),

LWA (lydintensitet) 72,6 dB(A),


hånd/arm vægtet vibration 0,18 m/s<sup>2</sup>,

kPa (lydtryksusikkerhed 3 dB(A)),

kva (lydeffektusikkerhed 3 dB(A)),

Gå venligst ind på vores website

**www.blackanddecker.dk** for at registrere dit nye produkt og for at blive holdt ajour om nye produkter og specialtilbud. Der findes yderligere oplysninger om mærket Black & Decker og vores produktsortiment på adressen **www.blackanddecker.dk**.



Kevin Hewitt  
Director of Consumer Engineering  
Spennymoor, County Durham  
DL16 6JG,  
Storbritannien  
06-12-2006

## Garanti

Black & Decker garanterer, at produktet er frit for materielle skader og/eller fabriktionsfejl ved levering til kunden.

Garantien er et tillæg til forbrugers lovsikrede rettigheder og påvirker ikke disse. Garantien gælder inden for medlemsstaterne af den Europæiske Union og i det Europæiske Frihandelsområde.

Hvis et Black & Decker-produkt går i stykker på grund af materiel skade og/eller fabriktionsfejl eller på anden måde ikke fungerer i overensstemmelse med specifikationen inden for 24 måneder fra købsdatoen, påtager Black & Decker sig at reparere eller ombytte produktet med mindst mulig ulempe for kunden. Garantien gælder ikke for fejl og mangler, der er sket i forbindelse med:

- ◆ normal slitage
- ◆ uheldige følger efter unormal anvendelse af værktøjet
- ◆ overbelastning, hærværk eller overdrevent intensiv brug af værktøjet eller ulykkeshændelse
- ◆ Garantien gælder ikke, hvis reparationer er udført af nogen anden end et autoriseret Black & Decker-værksted.

For at udnytte garantien skal produktet og købskvitteringen indleveres til forhandleren eller til et autoriseret værksted. Kontakt det lokale Black & Decker-kontor på den adresse, der er opgivet i denne vejledning, for at få oplysninger om det nærmeste autoriserede værksted. En liste over alle autoriserede Black & Decker-serviceværksteder samt servicevilkår er tilgængelig på internettet på adressen:

**www.2helpU.com**

## Käyttötarkoitus

Black & Decker -tiivistysputkilopistooli on suunniteltu auttamaan tiivistysaineiden, tiivisteliiman ja täyttöaineiden puristamisessa kohteeseen. Tämä laite on tarkoitettu kotikäyttöön.

## Yleiset turvallisuutta koskevat säännöt

**Varoitus!** Lue kaikki ohjeet tarkoin. Alla olevien ohjeiden laiminlyönti saattaa aiheuttaa sähköiskun, tulipalon ja/tai johtaa vakavaan loukkaantumiseen. Alla olevissa ohjeissa käytetty käsite "sähkötyökalu" tarkoittaa verkkokäyttöisiä sähkötyökaluja (verkkojohdolla käytettäviä) ja akkukäyttöisiä sähkötyökaluja (ilman verkkojohtoa).

SÄILYTÄ NÄMÄ OHJEET HYVIN.

### 1. Työalue

- a. **Pidä työalue puhtaana ja hyvin valaistuna.** Työpaikan epäjärjestys ja valaisemattomat työalueet voivat johtaa tapaturmiin.
- b. **Älä työskentele sähkötyökalulla räjähdysalttiissa ympäristössä, jossa on palavaa nestettä, kaasua tai pölyä.** Sähkötyökalu muodostaa kipinöitä, jotka saattavat sytyttää pölyn tai höyryt.
- c. **Pidä lapset ja sivulliset loitolla sähkötyökalua käyttäessäsi.** Voit menettää laitteesi hallinnan huomiosi suuntautuessa muualle.

### 2. Sähköturvallisuus

- a. **Sähkötyökalun pistokkeen tulee sopia pistorasiaan. Pistoketta ei saa muuttaa millään tavalla. Älä käytä mitään pistorasia-adaptoreita maadoitettujen sähkötyökalujen kanssa.** Alkuperäiset pistokkeet ja niille sopivat pistorasiat vähentävät sähköiskun vaaraa.
- b. **Vältä koskettamasta maadoitettuja pintoja, kuten putkia, pattereita, liesiä tai jääkaappeja.** Sähköiskun vaara kasvaa, jos kehosi on maadoitettu.
- c. **Älä altista sähkötyökalua sateelle tai kosteudelle.** Veden tunkeutuminen sähkötyökalun sisään kasvattaa sähköiskun riskiä.
- d. **Älä käsittele virtajohtoa kovakouraisesti. Älä käytä sitä sähkötyökalun kantamiseen, vetämiseen tai pistokkeen irrottamiseen pistorasiasta. Pidä johto loitolla kuumuudesta, öljystä, terävistä reunoista ja liikkuvista osista.** Vahingoittuneet tai sotkeutuneet johdot lisäävät sähköiskun vaaraa.
- e. **Käyttäessäsi sähkötyökalua ulkona käytä ainoastaan ulkokäyttöön soveltuvaa jatkojohtoa.** Ulkokäyttöön soveltuvan jatkojohdon käyttö pienentää sähköiskun vaaraa.

### 3. Henkilöturvallisuus

- a. **Ole valpas, keskity työhön ja noudata tervettä järkeä sähkötyökalun käytössä. Älä käytä sähkötyökalua, jos olet väsynyt tai huumeiden, alkoholin tai lääkkeiden vaikutuksen alaisena.** Hetken tarkkaamattomuus sähkötyökalua käytettäessä saattaa johtaa vakavaan loukkaantumiseen.
  - b. **Käytä suojarusteita. Käytä aina suojalaseja.** Suojarusteet, kuten pölynsuojain, luistamattomat turvajalkineet, kypärä ja kuulosuojaimet pienentävät, tilanteen mukaan oikein käytettyinä, loukkaantumisriskiä.
  - c. **Vältä sähkötyökalun tahatonta käynnistämistä. Varmista, että kytkin on pois-asennossa ennen kytkennän tekemistä.** Onnettomuusvaara lisääntyy, jos kannat sähkötyökalua sommi käyttökytkimellä tai kytket työkalun virtajohtoon pistorasiaan, kun käyttökytkin on päällä.
  - d. **Poista kaikki säätötyökalut ja ruuvitaltat, ennen kuin käynnistät sähkötyökalun.** Työkalu tai avain, joka sijaitsee laitteen pyörivässä osassa, saattaa johtaa loukkaantumiseen.
  - e. **Älä kurkota. Seiso aina tukevasti ja tasapainossa.** Tällöin voit hallita sähkötyökalua yllättävissäkin tilanteissa.
  - f. **Käytä tarkoitukseen soveltuvia vaatteita. Älä käytä liian löysiä työvaatteita tai koruja. Pidä hiukset, vaatteet ja käsineet loitolla liikkuvista osista.** Väljät vaatteet, korut ja pitkät hiukset voivat takertua liikkuviin osiin.
  - g. **Jos polynimu- tai -keräilylaitteita voidaan asentaa työkaluun, sinun pitää tarkistaa, että ne on liitetty ja että niitä käytetään oikealla tavalla.** Näiden laitteiden käyttö vähentää pölyn aiheuttamia vaaroja.
- ### 4. Sähkötyökalujen käyttö ja hoito
- a. **Älä ylikuormita laitetta. Käytä kyseiseen työhön tarkoitettua sähkötyökalua.** Sopivaa sähkötyökalua käyttäen työskentelet paremmin ja turvallisemmin tehoalueella, jolle sähkötyökalu on tarkoitettu.
  - b. **Älä käytä sähkötyökalua, jota ei voida käynnistää ja pysäyttää virtakytkimestä.** Sähkötyökalu, jota ei enää voida käynnistää ja pysäyttää käynnistyskytkimellä, on vaarallinen ja se täytyy korjata.
  - c. **Irrota pistotulppa pistorasiasta, ennen kuin suoritat säätöjä, vaihdat tarvikkeita tai siirrät sähkötyökalun varastoitavaksi.** Nämä turvatoimenpiteet pienentävät sähkötyökalun tahattoman käynnistysriskin.
  - d. **Säilytä sähkötyökalut poissa lasten ulottuvilta, kun niitä ei käytetä. Älä anna sellaisten henkilöiden käyttää sähkötyökalua, jotka eivät tunne sitä tai jotka eivät ole lukeeneet tätä käyttöohjetta.** Sähkötyökalut ovat vaarallisia, jos niitä käyttävät kokemattomat henkilöt.

- e. **Hoida sähkötyökaluasi huolella. Tarkista, että liikkuvat osat toimivat moitteettomasti, eivätkä ole puristuksessa ja ettei työkalussa ole murtuneita tai vahingoittuneita osia, jotka saattaisivat haitata sen toimintaa. Korjauta mahdolliset viat ennen käyttöönottoa.** Moni tapaturma aiheutuu huonosti huolletuista laitteista.
- f. **Pidä leikkausterät terävinä ja puhtaina.** Huolellisesti hoidetut leikkaustyökalut, joiden terät ovat teräviä, eivät tartu helposti kiinni ja niitä on helpompi hallita.
- g. **Käytä sähkötyökaluja, tarvikkeita, vaihtotyökaluja jne. näiden ohjeiden mukaisesti ja tavalla, joka on tarkoitettu erityisesti kyseiselle sähkötyökalulle. Ota tällöin huomioon työolosuhteet ja suoritettava toimenpide.** Sähkötyökalun käyttö muuhun kuin sille määrättyyn käyttöön saattaa johtaa vaarallisiin tilanteisiin.
5. **Huolto**
- a. **Anna koulutettujen ja ammattitaitoisten henkilöiden korjata sähkötyökaluasi ja hyväksy korjauksiin vain alkuperäisiä varaosia.** Täten varmistat, että sähkötyökalu säilyy turvallisena.

### Tiivistysputkilopistoolia koskevat lisäturvallisuusohjeet.

- ◆ **Pidä sormet pois pistoolin männän ja varren alueelta.** Ne saattavat pusertua putkilon pitimen ja männän väliin.
- ◆ **Käyttäessäsi pistoolia yläpuolellasi, vältä pitämästä männän vartta suoraan silmiesi tai pääsi yläpuolella.** Männän varsi saattaa luiskahtaa takaisin kohti käyttäjää. Käytä aina suojalaseja putkilopistoolia käyttäessäsi.
- ◆ **Muista aina lukea ja noudattaa kaikkia tiivistysaineen tai tiivistysliiman valmistajan ohjeita.** Jos näin ei menetellä seurauksena saattaa olla tapaturma.
- ◆ **Työskentele aina kunnollisesti tuuletetussa tilassa ja käytä asianmukaista hengityssuojainta tarvittaessa.** Joistakin tiivistysaineista ja tiivisteliimoista haihtuvat höyryt saattavat olla vahingollisia.
- ◆ **Älä käytä putkilopistoolia umpinaisen tiivistysaine- tai tiivisteliimaputkilon kanssa** Poista aina mahdolliset tiivisteet ja varmista, ettei putkilon suutin ole tukossa ennen käyttöä.
- ◆ **Varmista, että syöttönopeuden valintakytkin on off-asennossa ennen paristojen asennusta,** säätöjen suoritusta tai puhdistusta. Vahingossa tapahtuva käyttöön kytkentä saattaa aiheuttaa tapaturman.

### Lisäturvaohjeet kertakäyttöparistoille

**Varoitus!** Paristot voivat räjähtää, vuotaa ja aiheuttaa henkilövahinkoja ja/tai tulipaloja. Voit välttää kyseiset vaaratekijät toimimalla seuraavasti.

- ◆ **Varmista, että nopeuden valintakytkin on off-asennossa ennen pariston(tai paristojen) asennusta.** Akun tai paristojen asennus sähkötyökaluun, jonka käynnistyskytkin on käyntiasennossa, altistaa onnettomuuksille.
- ◆ **Väärin käytetystä akusta voi vuotaa nestettä. Älä kosketa sitä.** Jos nestettä vahingossa joutuu iholle, huuhtelee kosketuskohta vedellä. Jos nestettä pääsee silmiin, hakeudu lääkäriin. Akusta vuotava neste saattaa aiheuttaa ärsytystä ja palovammoja.
- ◆ Noudata tarkoin kaikkia paristoissa ja niiden pakkauksissa ilmoitettuja ohjeita ja varoituksia.
- ◆ Aseta paristot aina laitteessa ja paristoissa ilmoitetun polariteetin (+ ja -) mukaisesti.
- ◆ Älä kytke paristojen napoja oikosulkuun.
- ◆ Älä lataa paristoja.
- ◆ Älä käytä yhtäaikaisesti vanhoja ja uusia paristoja. Korvaa kaikki paristot samanaikaisesti saman valmistajan samantyyppisillä uusilla paristoilla.
- ◆ Pidä paristot poissa lasten käsistä.
- ◆ Poista paristot laitteesta, jos laitetta ei käytetä useiden kuukausien kuluessa.
- ◆ Älä koskaan yritä avata paristoja.
- ◆ Älä säilytä paristoja tiloissa, joissa lämpötila voi nousta yli 40 °C:seen.
- ◆ Noudata paristoja hävittäessäsi kohdassa ”Ympäristönsuojelu” annettuja ohjeita.
- ◆ Älä hävitä paristoja polttamalla.

### Yleiskuvaus

1. Tiivistysaineputkilon kannatin
2. Tiivistetankko
3. Syöttönopeuden valintakytkin
4. Männän varsi
5. Liipasinkytkin
6. Paristotila
7. Rannehihna

### Kokoaminen

#### Paristojen asentaminen (kuva A)

**Varoitus!** Käytä vain AA-paristoja. Käytä vain alkaliparistoja.

- ◆ Siirrä paristotilan kanta (6) eteenpäin avataksesi sen.
- ◆ Aseta paristotilaan neljä uutta AA Alkaline -paristoa (8). Varmista, että asetet positiiviset (+) ja negatiiviset (-) navat oikein.
- ◆ Sulje paristotilan kansi (6) ja siirrä sitä taaksepäin lukitusasentoon.

#### Tiivistysaine- tai tiivisteliimaputkilon valmistelu (kuva B)

- ◆ Noudata valmistajan suositusta valitessasi työhön sopivaa tiivistysainetta tai tiivisteliimaa.

- ◆ Leikkaa putkilon suutinpää auki sopivasti viistoon. Mitä lähempää suuttimen päätä leikkaat, sen pienemmäksi suuttimen syöttöaukko muodostuu. Mitä pienempi aukko, sen pienempi tiivistysainepalko.
- ◆ Tiivistetanko (2) sijaitsee tiivistysaineputkilon kannattimella (1) ja sitä voidaan käyttää lävistämään putkilon sisempi tiiviste tai puhdistamaan osittain käytetyn putkilon tukos.

Varmista, että tiiviste on läpäisty ja että suuttimen tukos on puhdistettu ennen pistoolin käyttöä. Jos näin ei tehdä, tiivistysmateriaali saattaa puskahdtaa ulos pistoolin takaosasta.

### Tiivistysaine- tai tiivisteliimaputkilon asennus (kuvat C ja D)

- ◆ Vedä männän varsi (4) takaisin riittävästi niin, että putkilo mahtuu putkilon kannattimeen (1).
- ◆ Kierrä putkilon kannatinta (1) vastapäivään ja irrota se pääkotelosta.
- ◆ Työnnä putkilo putkilon kannattimeen (1).
- ◆ Kiinnitä putkilon kannatin (1) takaisin pääkoteloon.
- ◆ Varmista, että putkilon kannatin (1) on linjassa ja kierrä sitä myötäpäivään kunnes pääkotelossa oleva nuoli on linjassa putkilon kannattimessa (1) olevan lukon kuvan kanssa.
- ◆ Työnnä männän vartta (4) eteenpäin kunnes se on vasten putken takapäätä.

### Tiivistysaine- tai tiivisteliimaputkilon irrotus (kuvat C ja E)

- ◆ Vapauta liipasin kytkin (5), säädä nopeuden valintakytkin (3) pois-asentoon (0) ja vedä männän varsi (4) taakse.
- ◆ Kierrä putkilon kannatinta (1) vastapäivään ja irrota se pääkotelosta.
- ◆ Irrota putkilo putkilon kannattimesta (1).

## Käyttö

### Kytchentä käyttöön ja pois käytöstä (kuva E)

- ◆ Siirrä nopeuden valintakytkin (3) pois-asennosta (0) korkean nopeuden asentoon (II).
- ◆ Paina liipasin kytkintä (5) aloittaaksesi tiivistysaineen syöttämisen kohteeseen.
- ◆ Kun materiaalia alkaa pusertua ulos putkilosta, siirrä nopeuden valintakytkintä (3) hitaammalle (I) jos materiaalin ulostulovirtauksen tarkempi hallinta sitä edellyttää.
- ◆ Vapauta liipasin kytkin (5) pysäyttääksesi materiaalin ulossyötön putkilosta. Säädä nopeuden valintakytkin (3) off-asentoon (0).

### Vinkkejä parhaimman tuloksen saamiseksi

Materiaalin ulosvirtausnopeuteen vaikuttavat suutinaukon läpimitta, materiaalin lämpötila ja käytetty materiaalityyppi. Paina liipasin kytkintä (5) tasaisesti saavuttaaksesi yhdenmukaisemman tiivistepalkon ja materiaalin syötön.

**Varoitus!** Varmista, että nopeuden valintakytkin (3) on off-asennossa (0) ennen paristojen asennusta, säätöjen suoritusta tai puhdistusta. Vahingossa tapahtuva käyttöön kytkentä saattaa aiheuttaa tapaturman.

## Huolto

Black & Decker -työkalu on suunniteltu toimimaan mahdollisimman pitkän aikaa mahdollisimman vähällä huollolla. Oikealla huollolla ja säännöllisellä puhdistuksella työkalu säilyttää suorituskykynsä.

- ◆ Puhdista moottorikotelo säännöllisesti kostealla rievulla. Älä käytä puhdistamiseen liuottimia tai voimakkaita puhdistusaineita. Älä päästä sahan sisään nestettä äläkä upota sitä nesteeseen edes osittain.
- ◆ Puhdista mahdollinen tiivistysaine tai tiivisteliima putkilon kohdilta putkilon kannattimelta ja pääkotelosta.

## Ympäristö

### Erillinen keräys.



Tätä tuotetta ei saa hävittää normaalin kotitalousjätteen kanssa.

Kun työkalusi aikanaan täytyy vaihtaa tai ei kelpaa enää käyttöön, ota huomioon ympäristötekijät. Black & Deckerin valtuutetut huoltoilikkeet ottavat vastaan Black & Decker -työkaluja ja varmistavat, että ne hävitetään ympäristöstävällisesti.



Käytettyjen tuotteiden ja pakkausmateriaalien erilliskeruun avulla materiaalit voidaan kierrättää ja käyttää uudelleen. Kierrätysmateriaalien käyttö auttaa vähentämään ympäristön saastumista ja uusien raaka-aineden tarvetta.

Paikallisissa säädöksissä voidaan määrätä, että kodin sähkötuotteiden keruu tapahtuu kaupunkien jätteidenkäsittelyasemilla tai laitteita myyvissä liikkeissä uuden tuotteen oston yhteydessä.

Kun laitteesi on käytetty loppuun, älä heitä sitä tavallisten roskien mukana pois, vaan vie se paikkakuntasi kierrätyskeskukseen tai jätä valtuutettuun Black & Deckerin huoltoliikkeeseen.

Tiedot valtuutetuista huoltoilikkeistä saa ottamalla yhteyttä Black & Decker Oy:hyn sekä Internetistä osoitteesta [www.2helpU.com](http://www.2helpU.com).





Hävitätä loppuun kuluneet paristot ympäristöystävällisellä tavalla. Poista paristot yllä kuvatulla tavalla.

- ◆ Pakkaa paristot niin, että navat eivät aiheuta oikosulkuja.
- ◆ Voit viedä paristot paikalliseen kierrätyskeskukseen.

#### Tekniset tiedot

CG100		
Jännite	Vdc	6
Kuormittamaton nopeus	mm/min	90 - 150
Paristokoko	Tyyppi	LR06 (AA)
Paino	g	950

### EU:n yhdenmukaisuusilmoitus

CG100

Black & Decker vakuuttaa näiden tuotteiden olevan seuraavien standardien vaatimusten mukaiset:

98/37/EC, 89/336/EEC, EN 60745, EN 55014

LpA (äänenpaine) 61,6 dB(A),

LWA (akustinen teho) 72,6 dB(A),

käden/käsivarren painotettu värinä 0,18 m/s<sup>2</sup>,

Kpa (äänenpaineen epävarmuus) 3 dB(A),

Kwa (akustisen tehon epävarmuus) 3 dB(A),

Edellytyksenä takuun saamiselle on, että ostaja näyttää laitteen ostokuitin jälleenmyyjälle tai valtuutetulle huoltoliikkeelle. Saat valtuutettujen huoltoliikkeiden yhteystiedot ottamalla yhteyden Black & Decker Oy:hyn tässä käyttöoppaassa ilmoitetussa osoitteessa. Löydät myös valtuutettujen Black & Decker huoltoliikkeiden yhteystiedot sekä lisätietoja palveluistamme ja takuuehdoista Internetissä osoitteessa: **www.2helpU.com**

Voit vieraila verkkosivuiltamme **www.blackanddecker.fi** rekisteröidäksesi uuden Black & Decker -tuotteesi ja saadaksesi tietoa uusista tuotteista ja erikoistarjouksista. Saat lisätietoja Black & Deckerin tavaramerkistä ja tuotevalikoimastamme osoitteesta **www.blackanddecker.fi**.

Kevin Hewitt  
Director of Consumer Engineering  
Spennymoor, County Durham  
DL16 6JG,  
Iso-Britannia  
06-12-2006

### Takuu

Black & Decker Oy takaa, ettei tuotteessa ollut materiaali- ja/tai valmistusvikaa silloin, kun se toimitettiin ostajalle.

Takuu on lisäys kuluttajan laillisiin oikeuksiin eikä vaikuta niihin. Takuu on voimassa Euroopan unionin jäsenmaissa ja Euroopan vapaakauppa-alueella (EFTA).

Mikäli Black & Decker -tuote hajoaa materiaali- ja/tai valmistusvirheen tai teknisten tietojen epätarkkuuden vuoksi 24 kk:n kuluessa ostopäivästä, Black & Decker korjaa laitteen ilman kustannuksia ostajalle tai vaihtaa sen uuteen Black & Decker Oy:n valinnan mukaan. Takuu ei kata vikoja, jotka johtuvat laitteen

- ◆ normaalista kulumisesta
- ◆ ylikuormituksesta, virheellisestä käytöstä tai hoidosta
- ◆ vahingoittamisesta vieraalla esineellä tai aineella tai onnettomuustapauksessa.
- ◆ Takuu ei ole voimassa, mikäli laitetta on korjannut joku muu kuin Black & Deckerin valtuuttama huoltoliike.

## Ενδεδειγμένη χρήση

Το πιστόλι σιλικόνης Black & Decker έχει σχεδιαστεί ώστε να σας βοηθάει στην εφαρμογή υλικών αρμολόγησης, κόλλησης, μόνωσης και πλήρωσης από σωληνάκια. Αυτό το εργαλείο προορίζεται μόνο για ερασιτεχνική χρήση.

## Γενικοί κανόνες ασφαλείας

**Προειδοποίηση!** Διαβάστε όλες τις οδηγίες. Η μη τήρηση όλων των παρακάτω υποδείξεων μπορεί να προκαλέσει ηλεκτροπληξία, πυρκαγιά ή/και σοβαρούς τραυματισμούς. Ο χαρακτηρισμός "ηλεκτρικό εργαλείο" που χρησιμοποιείται σε όλες τις παρακάτω προειδοποιητικές υποδείξεις αφορά ή το εργαλείο που συνδέεται στην πρίζα (με καλώδιο) ή το εργαλείο που λειτουργεί με μπαταρία (χωρίς καλώδιο).

ΦΥΛΑΞΤΕ ΑΥΤΕΣ ΤΙΣ ΟΔΗΓΙΕΣ

1. **Χώρος εργασίας**
    - a. **Διατηρείτε το χώρο που εργάζεστε καθαρό και καλά φωτισμένο.** Η αταξία στο χώρο που εργάζεστε και τα σημεία χωρίς καλό φωτισμό μπορεί να οδηγήσουν σε ατυχήματα.
    - b. **Μη χρησιμοποιείτε ηλεκτρικά εργαλεία σε περιβάλλον όπου υπάρχει κίνδυνος έκρηξης, π.χ. παρουσία εύφλεκτων υγρών, αερίων ή σκόνης.** Τα ηλεκτρικά εργαλεία μπορεί να δημιουργήσουν σπινθηρισμό ο οποίος μπορεί να αναφλέξει τη σκόνη ή τις αναθυμιάσεις.
    - c. **Όταν χρησιμοποιείτε το ηλεκτρικό εργαλείο, κρατάτε τα παιδιά και τα υπόλοιπα άτομα μακριά από το χώρο που εργάζεστε.** Σε περίπτωση που άλλα άτομα αποσπάσουν την προσοχή σας μπορεί να χάσετε τον έλεγχο του μηχανήματος.
  2. **Ασφαλής χρήση του ηλεκτρικού ρεύματος**
    - a. **Το φως του καλωδίου του ηλεκτρικού εργαλείου πρέπει να ταιριάζει στην αντίστοιχη πρίζα. Δεν επιτρέπεται με κανένα τρόπο η μετασκευή του φως. Μη χρησιμοποιείτε προσαρμοστικά φως στα γειωμένα ηλεκτρικά εργαλεία.** Τα φως που δεν έχουν υποστεί τροποποιήσεις και οι κατάλληλες πρίζες μειώνουν τον κίνδυνο ηλεκτροπληξίας.
    - b. **Αποφύγετε την επαφή του σώματός σας με γειωμένες επιφάνειες όπως σωλήνες, θερμαντικά σώματα (καλοριφέρ), κουζίνες και ψυγεία.** Όταν το σώμα σας είναι γειωμένο, αυξάνεται ο κίνδυνος ηλεκτροπληξίας.
    - c. **Μην εκθέτετε το ηλεκτρικό εργαλείο στη βροχή ή στην υγρασία.** Η διείσδυση νερού στο ηλεκτρικό εργαλείο αυξάνει τον κίνδυνο ηλεκτροπληξίας.
  - d. **Μην κακομεταχειρίζεστε το καλώδιο. Μη χρησιμοποιήσετε ποτέ το καλώδιο για να μεταφέρετε, να τραβήξετε ή να αποσυνδέσετε το εργαλείο από την πρίζα.** Κρατάτε το καλώδιο μακριά από υψηλές θερμοκρασίες, λάδια, κοφτερές ακμές ή κινούμενα εξαρτήματα. Τυχόν χαλασμένα ή μπερδεμένα καλώδια αυξάνουν τον κίνδυνο ηλεκτροπληξίας.
  - e. **Όταν χρησιμοποιείτε το ηλεκτρικό εργαλείο σε εξωτερικούς χώρους, να χρησιμοποιείτε πάντοτε καλώδια προέκτασης κατάλληλα για χρήση σε εξωτερικούς χώρους.** Η χρήση προεκτάσεων κατάλληλων για εργασία σε εξωτερικούς χώρους μειώνει τον κίνδυνο ηλεκτροπληξίας.
3. **Ασφάλεια προσώπων**
    - a. **Προσέξτε, όταν χρησιμοποιείτε το ηλεκτρικό εργαλείο, να συγκεντρώνετε στην εργασία που κάνετε και να επιστρατεύετε την κοινή λογική. Μη χρησιμοποιείτε το ηλεκτρικό εργαλείο όταν είστε κουρασμένοι ή όταν βρίσκεστε υπό την επήρεια ναρκωτικών, οινοπνεύματος ή φαρμάκων.** Μια στιγμή απροσεξία κατά το χειρισμό του ηλεκτρικού εργαλείου μπορεί να οδηγήσει σε σοβαρούς τραυματισμούς.
    - b. **Να χρησιμοποιείτε εξοπλισμό ασφαλείας. Να φοράτε πάντα προστατευτικά γυαλιά.** Ο κίνδυνος τραυματισμών μειώνεται όταν χρησιμοποιείτε εξοπλισμό ασφαλείας, όπως μάσκα προστασίας από σκόνη, αντιολισθητικά παπούτσια ασφαλείας, κράνη ή ωτασπίδες, ανάλογα με τις συνθήκες εργασίας.
    - c. **Αποφύγετε την αθέλητη εκκίνηση του ηλεκτρικού εργαλείου. Βεβαιωθείτε ότι ο διακόπτης είναι στη θέση απενεργοποίησης προτού συνδέσετε τη συσκευή.** Η μεταφορά ηλεκτρικών εργαλείων με το δάχτυλό σας επάνω στο διακόπτη ή η σύνδεση στην πρίζα ηλεκτρικών εργαλείων με το διακόπτη στη θέση ενεργοποίησης, ενέχει κινδύνους πρόκλησης ατυχημάτων.
    - d. **Πριν θέσετε το ηλεκτρικό εργαλείο σε λειτουργία, αφαιρέστε τυχόν εργαλεία ή κλειδιά ρύθμισης.** Ένα εργαλείο ή κλειδί προσαρτημένο σε κάποιο περιστρεφόμενο μέρος του ηλεκτρικού εργαλείου μπορεί να προκαλέσει τραυματισμούς.
    - e. **Μην τεντώνετε. Φροντίστε να έχετε πάντοτε την κατάλληλη στάση και να διατηρείτε την ισορροπία σας.** Αυτό σας επιτρέπει τον καλύτερο έλεγχο του ηλεκτρικού εργαλείου σε περιπτώσεις απροσδόκητων καταστάσεων.

- f. Φοράτε κατάλληλη ενδυμασία εργασίας. Μη φοράτε φαρδιά ρούχα ή κοσμήματα. Κρατάτε τα μαλλιά, τα ενδύματα και τα γάντια σας μακριά από τα κινούμενα εξαρτήματα. Τα φαρδιά ρούχα, τα κοσμήματα και τα μακριά μαλλιά μπορεί να εμπλακούν στα κινούμενα εξαρτήματα.
- g. Αν προβλέπονται διατάξεις απαγωγής και συλλογής της σκόνης, βεβαιωθείτε ότι είναι συνδεδεμένες και ότι χρησιμοποιούνται σωστά. Η χρήση τέτοιων διατάξεων μειώνει τους κινδύνους που προέρχονται από τη σκόνη.
4. Χρήση και συντήρηση του ηλεκτρικού εργαλείου
- a. Μην υπερφορτώνετε το ηλεκτρικό εργαλείο. Χρησιμοποιείτε για την εκάστοτε εργασία σας το ηλεκτρικό εργαλείο που προορίζεται γι' αυτήν. Με το κατάλληλο ηλεκτρικό εργαλείο εργάζεστε καλύτερα και ασφαλέστερα στην ονομαστική περιοχή ισχύος του.
- b. Μη χρησιμοποιήσετε ποτέ ένα ηλεκτρικό εργαλείο του οποίου ο διακόπτης λειτουργίας είναι χαλασμένος. Ένα ηλεκτρικό εργαλείο του οποίου η λειτουργία δεν μπορεί να ελεγχθεί με το διακόπτη είναι επικίνδυνο και πρέπει να επισκευαστεί.
- c. Βγάλτε το φως από την πρίζα πριν εκτελέσετε κάποια εργασία ρύθμισης στο ηλεκτρικό εργαλείο, πριν αλλάξετε κάποιο εξάρτημα ή όταν πρόκειται να το αποθηκεύσετε. Αυτά τα προληπτικά μέτρα ασφαλείας μειώνουν τον κίνδυνο να τεθεί το μηχάνημα αθέλητα σε λειτουργία.
- d. Να φυλάτε μακριά από παιδιά τα ηλεκτρικά εργαλεία που δεν χρησιμοποιείτε. Μην αφήνετε άτομα που δεν είναι εξοικειωμένα με το ηλεκτρικό εργαλείο ή που δεν έχουν διαβάσει αυτές τις οδηγίες χρήσης να το χρησιμοποιήσουν. Τα ηλεκτρικά εργαλεία είναι επικίνδυνα όταν χρησιμοποιούνται από άπειρα άτομα.
- e. Να συντηρείτε τα ηλεκτρικά εργαλεία. Ελέγξτε εάν τα κινούμενα μέρη είναι σωστά ευθυγραμμισμένα ή αν έχουν μπλοκάρει, εάν έχουν σπάσει κομμάτια και αν πληρούνται όλες οι υπόλοιπες συνθήκες που ενδεχομένως να επηρεάσουν τη σωστή λειτουργία του εργαλείου. Δώστε τυχόν χαλασμένα εξαρτήματα του ηλεκτρικού εργαλείου για επισκευή πριν το χρησιμοποιήσετε πάλι. Η ανεπαρκής συντήρηση των ηλεκτρικών εργαλείων αποτελεί αιτία πολλών ατυχημάτων.
- f. Διατηρείτε τα κοπτικά εργαλεία κοφτερά και καθαρά. Τα κοπτικά εργαλεία με αιχμηρά κοπτικά άκρα που συντηρούνται σωστά έχουν λιγότερες πιθανότητες να μπλοκάρουν και ελέγχονται ευκολότερα.

- g. Να χρησιμοποιείτε τα ηλεκτρικά εργαλεία, τα εξαρτήματα και τα άκρα των εργαλείων κλπ σύμφωνα με τις παρούσες οδηγίες καθώς και όπως προβλέπεται για τον κάθε τύπο εργαλείου, λαμβάνοντας υπόψη σας τις συνθήκες εργασίας και την εργασία που θέλετε να εκτελέσετε. Η χρήση του ηλεκτρικού εργαλείου για άλλες εκτός από τις προβλεπόμενες εργασίες μπορεί να δημιουργήσει επικίνδυνες καταστάσεις.

## 5. Σέρβις

- a. Το σέρβις του ηλεκτρικού σας εργαλείου πρέπει να αναλαμβάνει έμπειρος τεχνικός που θα χρησιμοποιεί μόνο γνήσια ανταλλακτικά. Έτσι εξασφαλίζεται η διατήρηση της ασφάλειας του ηλεκτρικού εργαλείου.

## Συμπληρωματικές οδηγίες ασφαλείας για το πιστόλι σιλικόνης

- ♦ Μην πλησιάζετε τα χέρια σας στο χώρο του εμβόλου και του ωπηρίου του πιστολιού σιλικόνης. Υπάρχει κίνδυνος σύνθλιψης των δαχτύλων σας μεταξύ της υποδοχής του σωληναρίου και του εμβόλου.
- ♦ Όταν χρησιμοποιείτε το πιστόλι σιλικόνης ψηλότερα από το κεφάλι σας, μην κατευθύνετε το ωπητήριο του εμβόλου στην ευθεία των ματιών ή του κεφαλιού σας. Το ωπητήριο του εμβόλου μπορεί να γλιστρήσει πίσω προς το χρήστη. Φοράτε πάντα προστατευτικά γυαλιά όταν χρησιμοποιείτε το πιστόλι σιλικόνης.
- ♦ Διαβάστε και ακολουθείτε πάντα όλες τις οδηγίες του κατασκευαστή σχετικά με τον αρμόστοκο ή την κόλλα. Σε αντίθετη περίπτωση υπάρχει κίνδυνος πρόκλησης τραυματισμού.
- ♦ Να εργάζεστε πάντα σε καλά αεριζόμενους χώρους και, εάν χρειάζεται, να φοράτε κατάλληλη αναπνευστική μάσκα προστασίας. Οι αναθυμιάσεις από ορισμένους αρμόστοκους και κόλλες μπορεί να είναι επιβλαβείς.
- ♦ Μη χρησιμοποιείτε το πιστόλι σιλικόνης με σφραγισμένα σωληνάρια αρμόστοκου ή κόλλας. Πριν από τη χρήση, αφαιρείτε πάντα τα τυχόν πώματα και επιβεβαιώνετε ότι το στόμιο δεν έχει εμπόδια.
- ♦ Βεβαιωθείτε ότι ο διακόπτης επιλογής ταχύτητας είναι στη θέση απενεργοποίησης προτού τοποθετήσετε τις μπαταρίες, κάνετε ρυθμίσεις ή καθαρίσετε το πιστόλι. Η κατά λάθος εκκίνηση μπορεί να προκαλέσει τραυματισμό.

## Συμπληρωματικές οδηγίες ασφαλείας για μη επαναφορτιζόμενες μπαταρίες

**Προειδοποίηση!** Υπάρχει κίνδυνος έκρηξης ή διαρροής των μπαταριών και πρόκλησης τραυματισμού ή πυρκαγιάς. Για να μειώσετε αυτό τον κίνδυνο:

- ◆ **Βεβαιωθείτε ότι ο διακόπτης επιλογής ταχύτητας είναι στη θέση απενεργοποίησης προτού τοποθετήσετε την(ις) μπαταρία(ες).** Η εισαγωγή μπαταριών σε ηλεκτρικά εργαλεία και συσκευές των οποίων ο διακόπτης λειτουργίας βρίσκεται στη θέση ενεργοποίησης ενέχει τον κίνδυνο ατυχήματος.
- ◆ **Υπό ακραίες συνθήκες, είναι πιθανή η διαρροή υγρού από την μπαταρία, με το οποίο πρέπει να αποφύγετε την επαφή.** Σε περίπτωση κατά λάθος επαφής, ξεπλύνετε με νερό. Εάν το υγρό έρθει σε επαφή με τα μάτια, ζητήστε και ιατρική βοήθεια. Το υγρό που διαρρέει από την μπαταρία μπορεί να προκαλέσει ερεθισμούς ή εγκαύματα.
- ◆ Ακολουθείτε προσεκτικά όλες τις οδηγίες και προειδοποιήσεις που αναγράφονται στην ετικέτα και τη συσκευασία των μπαταριών.
- ◆ Τοποθετείτε πάντα τις μπαταρίες σωστά όσον αφορά στην πολικότητα (+ και -), σύμφωνα με τις σημάνσεις επάνω στην μπαταρία και τη συσκευή.
- ◆ Μη βραχυκυκλώνετε τους πόλους των μπαταριών.
- ◆ Μη φορτίζετε τις μπαταρίες.
- ◆ Μη χρησιμοποιείτε ταυτόχρονα παλιές και καινούριες μπαταρίες. Αντικαταστήστε τις όλες ταυτόχρονα με καινούριες της ίδιας μάρκας και του ίδιου τύπου.
- ◆ Φυλάξτε τις μπαταρίες μακριά από παιδιά.
- ◆ Εάν η συσκευή πρόκειται να μη χρησιμοποιηθεί για πολλούς μήνες, αφαιρέστε τις μπαταρίες.
- ◆ Μην επιχειρήσετε ποτέ να ανοίξετε τις μπαταρίες για οποιοδήποτε λόγο.
- ◆ Μην φυλάσσετε τις μπαταρίες σε μέρη όπου η θερμοκρασία μπορεί να υπερβεί τους 40 °C.
- ◆ Όταν απορρίπτετε τις μπαταρίες, ακολουθήστε τις οδηγίες που δίνονται στην ενότητα "Προστασία του περιβάλλοντος".
- ◆ Μη ρίχνετε τις μπαταρίες στη φωτιά.

### Χαρακτηριστικά

1. Θήκη σκληνάριου
2. Διατηρητικό σφράγισης
3. Διακόπτης επιλογής ταχύτητας
4. Ωστήριο εμβόλου
5. Διακόπτης σκανδάλης
6. Θήκη μπαταριών
7. Λουράκι καρπού

## Συναρμολόγηση

### Τοποθέτηση των μπαταριών (εικ. Α)

**Προειδοποίηση!** Χρησιμοποιείτε μόνο μπαταρίες μεγέθους AA. Χρησιμοποιείτε μόνο αλκαλικές μπαταρίες.

- ◆ Σπρώξτε προς τα εμπρός το κάλυμμα της θήκης των μπαταριών (6) για να το ανοίξετε.
- ◆ Τοποθετήστε τέσσερις καινούριες αλκαλικές μπαταρίες AA (8), προσέχοντας να τηρήσετε τη σωστή κατεύθυνση των θετικών (+) και των αρνητικών (-) πόλων.
- ◆ Κλείστε το κάλυμμα της θήκης των μπαταριών (6) και σπρώξτε το προς τα πίσω μέχρι να 'κούμπώσει'.

### Προετοιμασία του σκληνάριου αρμόστοκου ή κόλλας (εικ. Β)

- ◆ Τηρήστε τις συστάσεις του κατασκευαστή όσον αφορά στην επιλογή του κατάλληλου υλικού αρμολόγησης ή κόλλησης για τη συγκεκριμένη εφαρμογή.
- ◆ Κόψτε το στόμιο του σκληνάριου υπό γωνία. Όσο κοντύτερα κόψετε το στόμιο στο άκρο του, τόσο πιο στενό θα είναι το άνοιγμα που προκύπτει. Όσο στενότερο είναι το άνοιγμα, τόσο πιο λεπτό θα είναι το 'κορδόνι' του αρμόστοκου.
- ◆ Το διατηρητικό σφράγισης (2) βρίσκεται επάνω στη θήκη του σκληνάριου (1) και μπορεί να χρησιμοποιηθεί για τη διάτρηση της εσωτερικής σφράγισης του σκληνάριου ή την απελευθέρωση ενός ήδη χρησιμοποιημένου σκληνάριου από στεγνωμένο υλικό.

Πριν από τη χρήση βεβαιωθείτε ότι έχετε τρυπήσει τη σφράγιση και έχετε απελευθερώσει το στόμιο. Σε αντίθετη περίπτωση, υπάρχει κίνδυνος βίαιης εξόδου του υλικού από το πίσω μέρος του πιστολιού.

### Τοποθέτηση του σκληνάριου αρμόστοκου ή κόλλας (εικ. C & D)

- ◆ Τραβήξτε το ωστήριο του εμβόλου (4) όσο χρειάζεται για προς τα πίσω ώστε να χωρέσει το σκληνάριο στη θήκη του (1).
- ◆ Στρέψτε αριστερόστροφα τη θήκη του σκληνάριου (1) και αφαιρέστε το από το κύριο περίβλημα.
- ◆ Εισάγετε το σκληνάριο αρμόστοκου ή κόλλας στη θήκη του σκληνάριου (1).
- ◆ Εισάγετε τη θήκη του σκληνάριου (1) στο κύριο περίβλημα. Επιβεβαιώστε τη σωστή ευθυγράμμιση του φορείου του σκληνάριου (1) και στρέψτε το δεξιόστροφα μέχρι το βέλος επάνω στο κύριο περίβλημα να ευθυγραμμιστεί με το σύμβολο λουκέτου επάνω στη θήκη του σκληνάριου (1).

- ◆ Σπρώξτε το ωστήριο του εμβόλου (4) προς τα εμπρός μέχρι να αγγίξει το πίσω μέρος του σωληναρίου.

### Αφαίρεση του σωληναρίου αρμόστοκου ή κόλλας (εικ. C & E)

- ◆ Απελευθερώστε το διακόπτη σκανδάλης (5), ρυθμίστε το διακόπτη επιλογής ταχύτητας (3) στη θέση απενεργοποίησης (0) και τραβήξτε το ωστήριο του εμβόλου (4) προς τα πίσω.
- ◆ Στρέψτε αριστερόστροφα τη θήκη του σωληναρίου (1) και αφαιρέστε το από το κύριο περίβλημα.
- ◆ Αφαιρέστε το σωληνάριο από τη θήκη του (1).

### Χρήση

#### Ενεργοποίηση και απενεργοποίηση (εικ. E)

- ◆ Μετακινήστε το διακόπτη επιλογής ταχύτητας (3) από τη θέση απενεργοποίησης (0) στη θέση υψηλής ταχύτητας (II).
- ◆ Πιέστε το διακόπτη σκανδάλης (5) για να αρχίσει η παροχή αρμόστοκου ή κόλλας.
- ◆ Μόλις το υλικό αρχίσει να εξάγεται από το σωληνάριο, μετακινήστε το διακόπτη επιλογής ταχύτητας (3) στη θέση χαμηλής ταχύτητας (I) εάν θέλετε καλύτερο έλεγχο της ροής του υλικού.
- ◆ Απελευθερώστε το διακόπτη σκανδάλης (5) για να διακόψετε την παροχή υλικού από το σωληνάριο. Ρυθμίστε το διακόπτη επιλογής ταχύτητας (3) στη θέση απενεργοποίησης (0).

#### Συμβουλές για άριστη χρήση

Η διάμετρος του στομίου, η θερμοκρασία και ο τύπος του υλικού που χρησιμοποιείται, επηρεάζουν την παροχή υλικού.

Πιέστε το διακόπτη σκανδάλης (5) με σταθερό τρόπο ώστε να πετύχετε ένα πιο ομοιόμορφο 'κόρδονι' και μια πιο σταθερή παροχή υλικού.

**Προειδοποίηση!** Βεβαιωθείτε ότι ο διακόπτης επιλογής ταχύτητας (3) είναι στη θέση απενεργοποίησης (0) προτού τοποθετήσετε τις μπαταρίες, κάνετε ρυθμίσεις ή καθαρίσετε το πιστόλι. Η κατά λάθος εκκίνηση μπορεί να προκαλέσει τραυματισμό.

### Συντήρηση

Αυτό το εργαλείο της Black & Decker έχει σχεδιαστεί έτσι ώστε να λειτουργεί για μεγάλο χρονικό διάστημα με την ελάχιστη δυνατή συντήρηση. Η αδιάλειπτη και ικανοποιητική λειτουργία του εργαλείου εξαρτάται από τη φροντίδα και τον τακτικό καθαρισμό

- ◆ Να καθαρίζετε τακτικά το περίβλημα του μοτέρ με ένα καθαρό και υγρό πανί. Μη χρησιμοποιείτε λειαντικά καθαριστικά ή υγρά καθαρισμού που περιέχουν

διαλυτικά. Μην επιτρέψετε ποτέ να εισέλθει υγρό στο εσωτερικό του εργαλείου και μη βυθίσετε ποτέ οποιοδήποτε εξάρτημα του εργαλείου σε υγρό.

- ◆ Καθαρίζετε τα τυχόν υπολείμματα αρμόστοκου ή κόλλας από τη θήκη του σωληναρίου και το κύριο περίβλημα.

### Προστασία του περιβάλλοντος

#### Επιλεκτική περισυλλογή



Αυτό το προϊόν δεν πρέπει να απορρίπτεται μαζί με τα κοινά οικιακά απορρίμματα.

Εάν κάποια μέρα αποφασίσετε ότι το εργαλείο σας χρειάζεται αντικατάσταση ή ότι δεν το χρειάζεστε άλλο, σκεφθείτε την προστασία του περιβάλλοντος. Τα κέντρα επισκευών της Black & Decker παραλαμβάνουν παλαιά εργαλεία Black & Decker και φροντίζουν για την απόρριψή τους με ασφαλή για το περιβάλλον τρόπο.



Η ανεξάρτητη συλλογή των μεταχειρισμένων προϊόντων και των υλικών συσκευασίας δίνει τη δυνατότητα ανακύκλωσης και επαναχρησιμοποίησης των ανακυκλωμένων υλικών αποτρέπεται η μόλυνση του περιβάλλοντος και μειώνεται η ζήτηση πρώτων υλών.

Οι κανονισμοί που ισχύουν στην περιοχή σας ενδέχεται να προβλέπουν την επιλεκτική περισυλλογή των ηλεκτρικών συσκευών που προέρχονται από νοικοκυριά σε κρατικές εγκαταστάσεις ή από τον έμπορο όταν αγοράσετε ένα καινούργιο προϊόν.

Η Black & Decker δίνει τη δυνατότητα ανακύκλωσης των προϊόντων της που έχουν συμπληρώσει τη διάρκεια ζωής τους. Για να χρησιμοποιήσετε αυτήν την υπηρεσία, επιστρέψτε το προϊόν σας σε οποιοδήποτε εξουσιοδοτημένο κέντρο επισκευών, όπου θα το παραλάβουν εκ μέρους μας.

Ενημερωθείτε για το πλησιέστερο εξουσιοδοτημένο κέντρο επισκευών της περιοχής σας, επικοινωνώντας με τα γραφεία της Black & Decker στη διεύθυνση που αναγράφεται στο εγχειρίδιο. Επίσης, για να πληροφορηθείτε για τα εξουσιοδοτημένα κέντρα επισκευών της Black & Decker και τους αρμόδιους των υπηρεσιών που παρέχονται μετά την πώληση, μπορείτε να ανατρέξετε στο Διαδίκτυο, στη διεύθυνση:

[www.2helpU.com](http://www.2helpU.com).



Στο τέλος της ωφέλιμης ζωής τους, απορρίψτε τις μπαταρίες με την πρόβουσα φροντίδα για το περιβάλλον μας. Αφαιρέστε τις μπαταρίες όπως περιγράφεται παραπάνω.

- ♦ Τοποθετήστε τις μπαταρίες σε κατάλληλη συσκευασία, ώστε να είναι αδύνατο το βραχυκύκλωμα των πόλων.
- ♦ Παραδώστε τις μπαταρίες σε έναν τοπικό σταθμό ανακύκλωσης.

#### Τεχνικά χαρακτηριστικά

		CG100
Τάση	Vdc	6
Ταχύτητα χωρίς φορτίο	χιλιοστά/λεπτό	90 - 150
Μέγεθος μπαταρίας	Τύπος	LR06 (AA)
Βάρος	g	950

### Δήλωση συμμόρφωσης με την Ευρωπαϊκή Κοινότητα

CG100

H Black & Decker δηλώνει ότι τα προϊόντα αυτά συμμορφώνονται με:

98/37/EK, 89/336/EOK, EN 60745, EN 55014

LpA (ηχητική πίεση) 61,6 dB(A),

LWA (ακουστική ισχύς) 72,6 dB(A),

συνδυασμένη χειροβραχιονική δόνηση 0,18 m/s<sup>2</sup>,

KpA (αβεβαιότητα ηχητικής πίεσης) 3 dB(A),

Kwa (αβεβαιότητα ηχητικής ισχύος) 3 dB(A),

Kevin Hewitt

Διευθυντής Εξυπηρέτησης

Πελατών

Spennymoor, County Durham

DL16 6JG,

Αγγλία Ηνωμένο Βασίλειο

06-12-2006

### Εγγύηση

H Black & Decker είναι σίγουρη για την ποιότητα των προϊόντων της και παρέχει σημαντική εγγύηση. Η παρούσα γραπτή εγγύηση αποτελεί πρόσθετο δικαίωμά σας και δεν ζημιώνει τα νόμιμα δικαιώματά σας. Η εγγύηση ισχύει εντός της επικράτειας των Κρατών Μελών της Ευρωπαϊκής Ένωσης και της Ευρωπαϊκής Ζώνης Ελευθέρων Συναλλαγών.

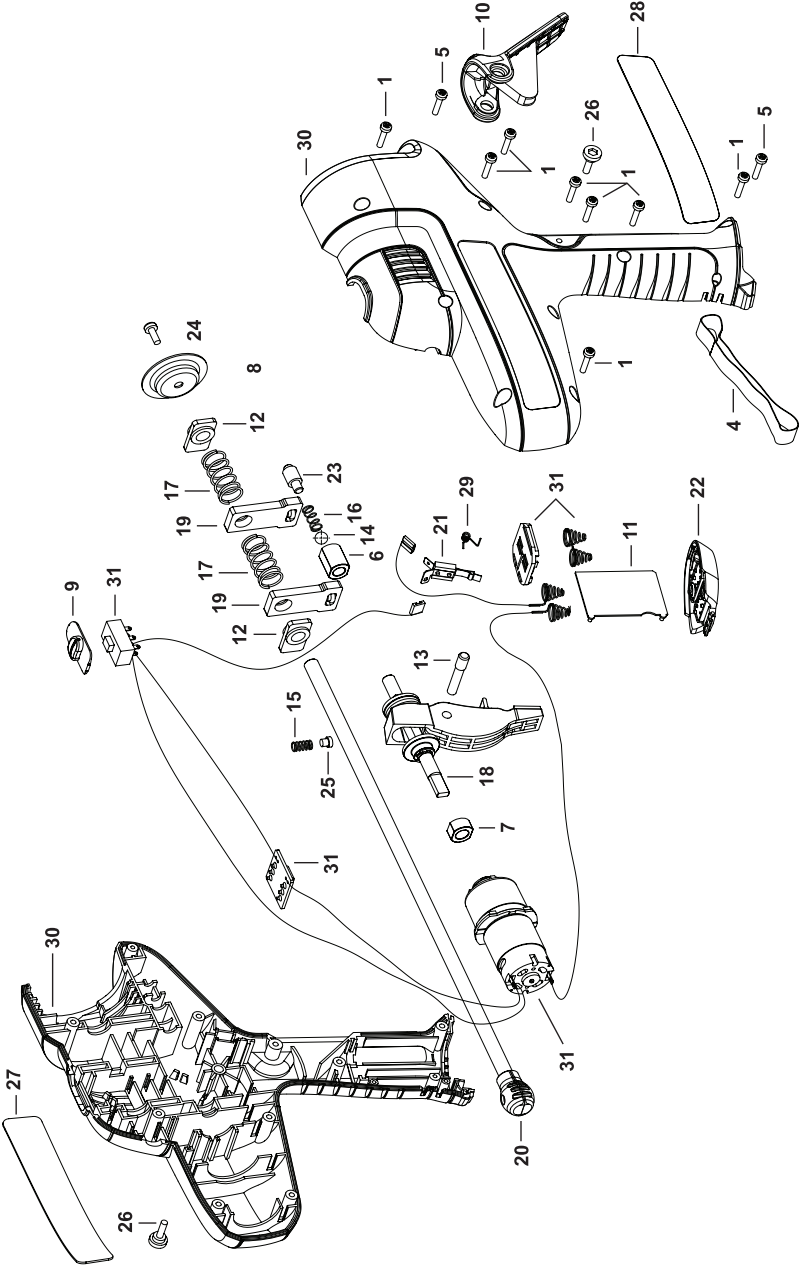
Σε περίπτωση που κάποιο προϊόν της Black & Decker παρουσιάσει βλάβη εξαιτίας ελαττωματικών υλικών, ποιότητας εργασίας ή έλλειψης συμφωνίας με τις προδιαγραφές εντός 24 μηνών από την ημερομηνία αγοράς, η Black & Decker εγγυάται την αντικατάσταση των ελαττωματικών τμημάτων, την επισκευή προϊόντων που έχουν υποστεί εύλογη φθορά λόγω χρήσης ή την αντικατάσταση των προϊόντων προκειμένου να εξασφαλίσει την ελάχιστη ενόχληση στους πελάτες της, εκτός εάν:

- ♦ Το προϊόν έχει χρησιμοποιηθεί σε εργασιακό, επαγγελματικό περιβάλλον ή αν έχει ενοικιαστεί.
- ♦ Έχει γίνει εσφαλμένη χρήση του προϊόντος ή έχει παραμεληθεί.
- ♦ Το προϊόν έχει υποστεί βλάβη από άλλα αντικείμενα, από ουσίες ή λόγω ατυχήματος.
- ♦ Έχει γίνει προσπάθεια επισκευής από μη εξουσιοδοτημένα κέντρα επισκευών ή από προσωπικό που δεν ανήκει στο προσωπικό της Black & Decker.

Για να ισχύσει η εγγύηση, πρέπει να υποβάλετε απόδειξη αγοράς στον πωλητή ή το εξουσιοδοτημένο κέντρο επισκευών. Ενημερωθείτε για το πλησιέστερο εξουσιοδοτημένο κέντρο επισκευών της περιοχής σας, επικοινωνώντας με τα γραφεία της Black & Decker στη διεύθυνση που αναγράφεται στο εγχειρίδιο. Επίσης, για να πληροφορηθείτε για τα εξουσιοδοτημένα κέντρα επισκευών της Black & Decker και τους αρμόδιους των υπηρεσιών που παρέχονται μετά την πώληση, μπορείτε να ανατρέξετε στο Διαδικτυο, στη διεύθυνση:

[www.2helpU.com](http://www.2helpU.com)

Παρακαλούμε επισκεφθείτε την ιστοσελίδα μας [www.blackanddecker.eu](http://www.blackanddecker.eu) για να καταχωρήσετε το νέο σας προϊόν Black & Decker και για να ενημερώσετε για τα νέα προϊόντα και τις ειδικές προσφορές. Περισσότερες πληροφορίες σχετικά με τη μάρκα Black & Decker και τη σειρά των προϊόντων μας θα βρείτε στη διεύθυνση [www.blackanddecker.eu](http://www.blackanddecker.eu).



<b>Australia</b>	Black & Decker (Australia) Pty. Ltd. 20 Fletcher Road, Mooroolbark, Victoria, 3138	Tel. 03-8720 5100 Fax 03-9727 5940
<b>België/Belgique</b>	Black & Decker (Belgium) N.V. Nieuwlandlaan 321 3200 Aarschot	Tel. 16 68 91 00 Fax 016 68 91 11
<b>Danmark</b>	Black & Decker Sluseholmen 2-4, 2450 København SV Internet: <a href="http://www.blackanddecker.dk">www.blackanddecker.dk</a>	Tel. 70 20 15 10 Fax 70 22 49 10
<b>Deutschland</b>	Black & Decker GmbH Black & Decker Str. 40, D - 65510 Idstein	Tel. 06126/21 - 0 Fax 06126/21 29 80
<b>Ελλάδα</b>	Black & Decker (Ελλάς) Α.Ε. Στράβωνος 7 & Λεωφ. Βουλιαγμένης 159 166 74 Γλυφάδα - Αθήνα	Τηλ. 210 8981616 Φαξ 210 8983285 <a href="http://www.blackanddecker.eu">www.blackanddecker.eu</a>
<b>España</b>	Black & Decker Ibérica, S.C.A. Parc de Negocis "Mas Blau" Edificio Muntadas, c/Bergadá, 1, Of. A6 08820 El Prat de Llobregat (Barcelona)	Tel. 934 797 400 Fax 934 797 419
<b>France</b>	Black & Decker (France) S.A.S. B.P. 21, 69571 Dardilly Cédex	Tel. 04 72 20 39 20 Fax 04 72 20 39 00
<b>Helvetia</b>	ROFO AG Gewerbezone Seeblick 3213 Kleinbödingen	Tel. 026-6749391 Fax 026-6749394
<b>Italia</b>	Black & Decker Italia SpA Viale Elvezia 2 20052 Monza (MI)	Tel. 039-23871 Fax 039-2387592/2387594 Numero verde 800-213935
<b>Nederland</b>	Black & Decker Benelux Joulehof 12, 4622 RG Bergen op Zoom	Tel. 0164 - 283000 Fax 0164 - 283100
<b>New Zealand</b>	Black & Decker 81 Hugo Johnston Drive Penrose, Auckland, New Zealand	Tel. 09 579 7600 Fax 09 579 8200
<b>Norge</b>	Black & Decker (Norge) A/S Postboks 4814, Nydalen, 0422 Oslo Internet: <a href="http://www.blackanddecker.no">www.blackanddecker.no</a>	Tlf. 22 90 99 00 Fax 22 90 99 01
<b>Österreich</b>	Black & Decker Vertriebsges.m.b.H Oberlaaerstraße 246, A1100 Wien	Tel. 01 66116-0 Fax 01 66116-14
<b>Portugal</b>	Black & Decker Rua Egas Moniz 173 S. João do Estoril 2766-651 Estoril	Tel. 214667500 Fax 214667580
<b>Suomi</b>	Black & Decker Oy Keilasatama 3, 02150 Espoo Black & Decker Oy, Kägelhamnen 3, 02150 Esbo	Puh. 010 400 430 Faksi (09) 2510 7100 Tel. 010 400 430 Fax (09) 2510 7100
<b>Sverige</b>	Black & Decker AB Fabriksq. 7, 412 50 Göteborg	Tel. 031-68 60 60 Fax 031-68 60 80
<b>United Kingdom</b>	Black & Decker 210 Bath Road Slough, Berkshire SL1 3YD	Tel. 01753 511234 Fax 01753 551155 Helpline 01753 574277
<b>Middle East &amp; Africa</b>	Black & Decker (Overseas) A.G. PB 5420, Dubai, United Arab Emirates	Tel. +971 4 2826464 Fax +971 4 2826466







Dealer address  
Händleradresse  
Cachet du revendeur  
Indirizzo del rivenditore  
Adres van de dealer  
Dirección del detallista  
Morada do revendedor  
Återförsäljarens adress  
Forhandlerens adresse  
Forhandler adresse  
Jälleenmyyjän osoite

Διεύθυνση αντιπροσώπου

◆ Name ◆ Nom ◆ Nome  
◆ Naam ◆ Nombre ◆ Name ◆ Namn  
◆ Navn ◆ Navn ◆ Nimi ◆ Övönjci:

◆ Address ◆ Adresse ◆ Adresse ◆ Indirizzo ◆  
Adres ◆ Dirección ◆ Morada ◆ Address ◆  
Adresse ◆ Adresse ◆ Osoite ◆ Διεύθυνση:

◆ Town ◆ Ort ◆ Ville ◆ Città ◆ Plaats  
◆ Ciudad ◆ Localidade ◆ Ort ◆ By ◆ By  
◆ Paikkakunta ◆ Πόλη

◆ Postal code ◆ Postleitzahl ◆ Code postal ◆  
Codigo postale ◆ Postcode  
◆ Código ◆ Código postal ◆ Postnr.  
◆ Postnr. ◆ Postnr. ◆ Postnummero  
◆ Κωδικός

Date of purchase  
Kaufdatum  
Date d'achat  
Data d'acquisto  
Aankoopdatum  
Fecha de compra  
Data de compra  
Intägsdatum  
Innkjøpsdato  
Indkøbsdato  
Ostapäivä

Ημερομηνία αγοράς

konessi? ◆ Είναι το εργαλείο αυτό η  
πρώτη σας αγορά?

◆ Yes ◆ Ja ◆ Oui ◆ Si ◆ Ja ◆ Si  
◆ Sim ◆ Ja ◆ Ja ◆ Ja ◆ Kyllä ◆ Nci

◆ No ◆ Nein ◆ Non ◆ No ◆ Nee  
◆ No ◆ Não ◆ Nej ◆ Nei ◆ Nej  
◆ Ei ◆ Oxi

◆ Dealer address ◆ Händleradresse  
◆ Cachet du revendeur ◆ Indirizzo del  
rivenditore ◆ Adres van de dealer  
◆ Dirección del detallista ◆ Morada do  
revendedor ◆ Återförsäljarens adress  
◆ Forhandlerens adresse ◆ Forhandler adresse  
◆ Jälleenmyyjän osoite  
◆ Διεύθυνση αντιπροσώπου

Cat. no.:



Date of purchase  
Kaufdatum  
Date d'achat  
Data d'acquisto  
Aankoopdatum  
Fecha de compra  
Data de compra  
Intägsdatum  
Innkjøpsdato  
Indkøbsdato  
Ostapäivä

Ημερομηνία αγοράς

◆ Data protection act. Tick the box if you prefer  
not to receive further information. ◆ Bitte  
ankreuzen, falls Sie keine weiteren  
Informationen erhalten möchten. ◆ Si vous ne  
souhaitez pas recevoir d'informations, cochez  
cette case. ◆ Barrate la casella se non  
desiderate ricevere informazioni.  
◆ A u. b. ditt väkje aankruisen indien u geen  
informatie wenst te ontvangen.  
◆ Señale en la casilla sino quiere recibir  
información. ◆ Por favor, assinala com uma cruz  
se não desejar receber informação. ◆ Vänligen  
kryssa för i rutan om Ni inte vill ha information.  
◆ Venligst kryss av dersom du ikke ønsker  
informasjon. ◆ Venligst sæt kryds i ruden  
såfremt De ikke måtte ønske at modtage  
information.

◆ Merkittää rasti ruutuun, mikäli ette halua  
vastaanottaa informaatiota.  
◆ Παράκαλιστε να σημειώσετε εάν δεν θέλετε  
να πάρετε πληροφορίες.

- ◆ GUARANTEE CARD
- ◆ GARANTIEKART
- ◆ GARANTI KORT
- ◆ GARANTIEKARTE
- ◆ TARJETA DE GARANTIA
- ◆ GARANTI KORT
- ◆ CARTE DE GARANTIE
- ◆ CARTÃO DE GARANTIA
- ◆ TAKUUKORTTI
- ◆ TAGLIANDO DI GARANZIA
- ◆ GARANTIBEVIS
- ◆ KAPTA EFTYHHS



**English**

Please complete this section immediately after the purchase of your tool and send it to Black & Decker in your country. If you live in Australia or New Zealand, please register by using the alternative guarantee card supplied.

**Deutsch**

Bitte schneiden Sie diesen Abschnitt ab, stecken ihn in einen frankierten Umschlag und schicken ihn an die Black & Decker Adresse Ihres Landes.

**Français**

Découpez cette partie et envoyez-la sous enveloppe timbrée à l'adresse de Black & Decker dans votre pays, ceci immédiatement après votre achat.

**Italiano**

Per favore ritagliate questa parte, inseritela in una busta con francobollo e spediteola subito dopo l'acquisto del prodotto all'indirizzo della Black & Decker nella vostra nazione.

**Nederlands**

Knip dit gedeelte uit en zend het direct na aankoop in een gefrankeerde, geaddresseerde envelop naar het adres van Black & Decker in uw land.

**Español**

Después de haber comprado su herramienta envíe usted, por favor, esta tarjeta a la central de Black & Decker en su país.

**Português**

Por favor, recorte esta parte, coloque-a num envelope selado e enderegado e envie-o logo após a compra do seu produto para o endereço da Black & Decker do seu país.

**Svenska**

Var vänlig klipp ur denna del och sänd den i ett frankerat kuvert till Black & Deckers adress i Ditt land.

**Norsk**

Vennligst klipp ut denne delen umiddelbart etter du har pakket ut ditt produkt og legg det i en adressert konvolutt til Black & Decker (Norge)/A/S.

**Dansk**

Venligst klip denne del ud og send frankeret til Black & Decker i dit land.

**Suomi**

Leikkaa irri tämä osa, laita se kuoreen ja postita kuori paikalliseen Black & Decker osoitteeseen.

**Ελληνικά**

Παράκαω κόλλητε αυτό το κομμάτι και ταχυδωμήσατε το κέσοω μετὰ τμης αγοράς του προϊόντος σως στην διεύθυνση της Black & Decker στην Ελλάδα.