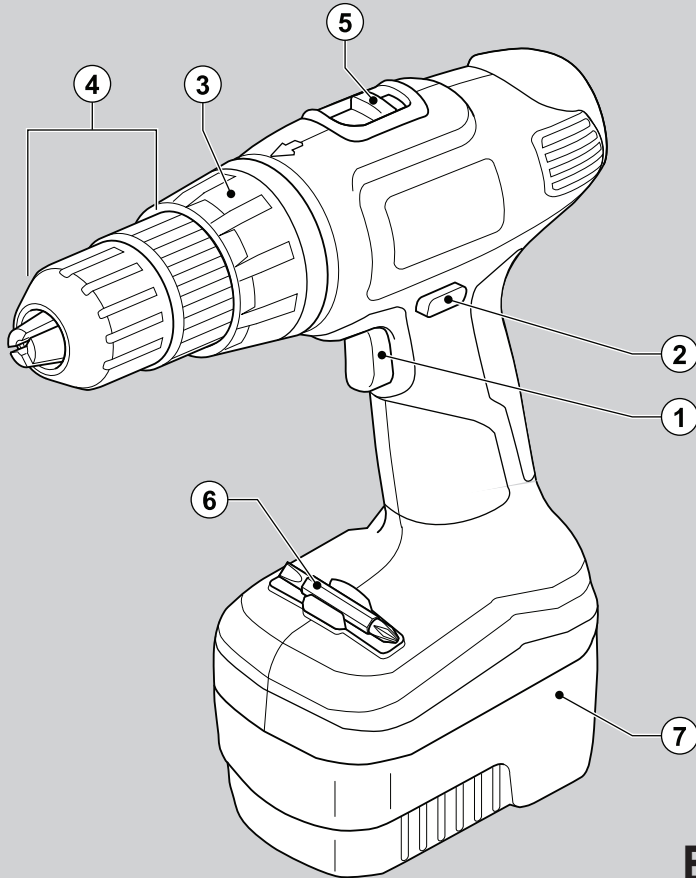




# BLACK & DECKER®



**EPC126**

**EPC146**

**EPC186**

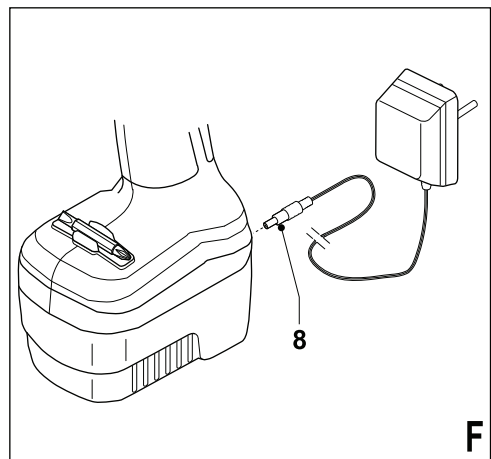
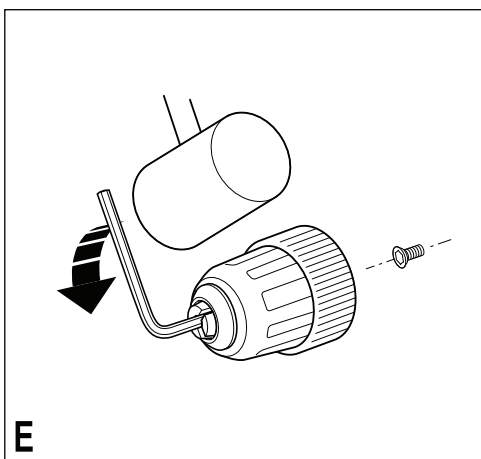
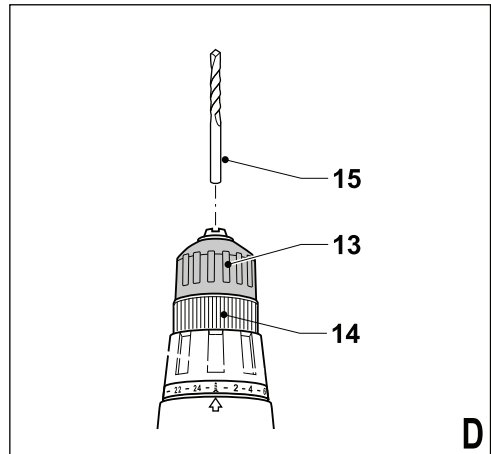
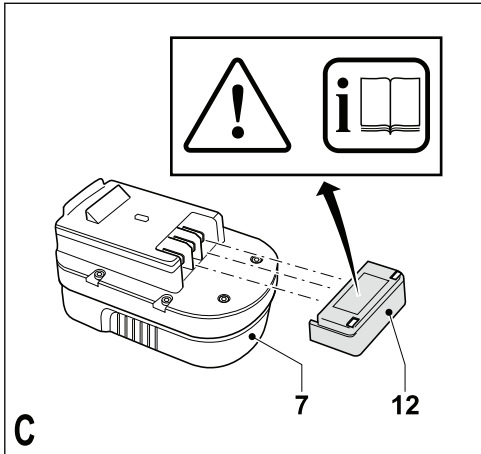
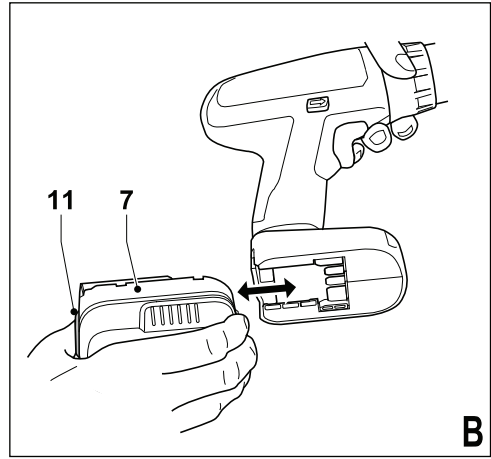
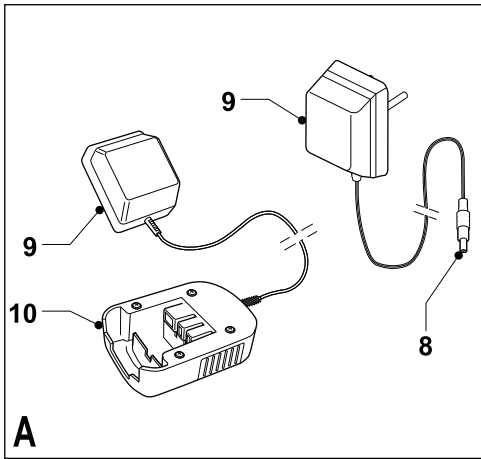
**EPC128**

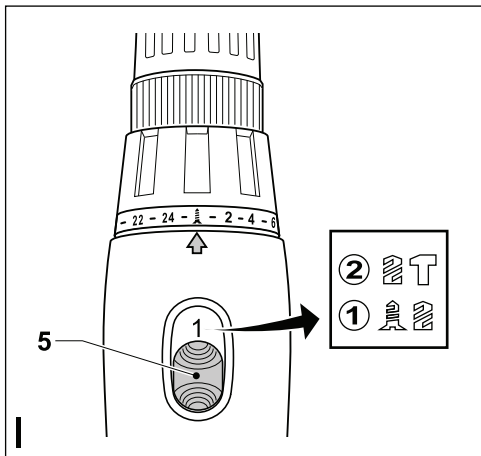
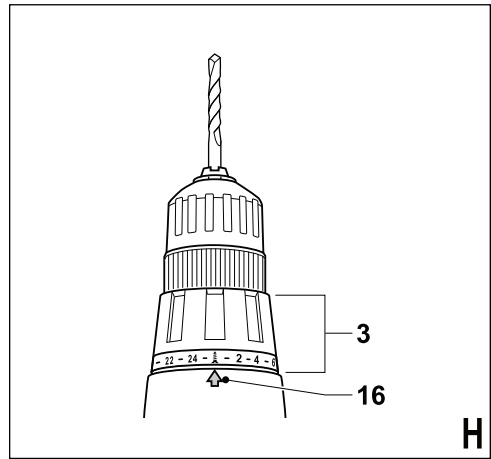
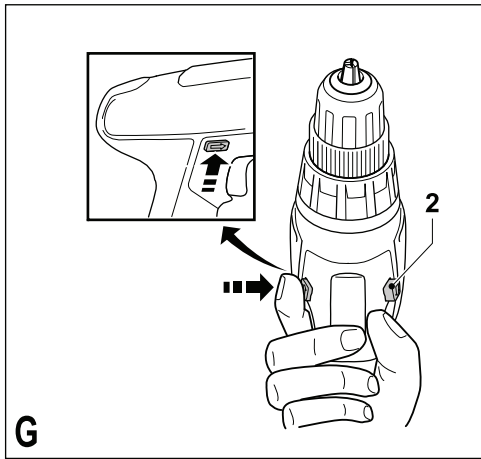
**EPC148**

**EPC188**

[www.blackanddecker.eu](http://www.blackanddecker.eu)

<b>English</b>	<b>(Original instructions)</b>	<b>5</b>
<b>Deutsch</b>	<b>(Übersetzung der Originalanleitung)</b>	<b>12</b>
<b>Français</b>	<b>(Traduction des instructions d'origine)</b>	<b>20</b>
<b>Česky</b>	<b>(Přeloženo z původního návodu)</b>	<b>28</b>
<b>Magyar</b>	<b>(Fordítás az eredeti kezelési utasítás alapján készült)</b>	<b>36</b>
<b>Polski</b>	<b>(Tłumaczenie oryginalnej instrukcji)</b>	<b>44</b>
<b>Slovenčina</b>	<b>(Preložené z pôvodného návodu)</b>	<b>53</b>
<b>Русский язык</b>	<b>(Перевод с оригинала инструкции)</b>	<b>61</b>
<b>Українська</b>	<b>(Переклад оригінальних інструкцій)</b>	<b>71</b>
<b>Türkçe</b>	<b>(Çevirisi orijinal talimatlardan yapılmıştır)</b>	<b>81</b>





## Intended use

Your Black & Decker drill/screwdriver EPC126/EPC146/EPC186 has been designed for screwdriving applications and for drilling in wood, metal and plastics.

Your Black & Decker drill/screwdriver EPC128/EPC148/EPC188 has been designed for screwdriving applications and for drilling in wood, metal, plastics and soft masonry. This tool is intended for consumer use only.

## Safety instructions

### General power tool safety warnings



**Warning! Read all safety warnings and all instructions.** Failure to follow the warnings and instructions listed below may result in electric shock, fire and/or serious injury.

**Save all warnings and instructions for future reference.** The term "power tool" in all of the warnings listed below refers to your mains operated (corded) power tool or battery operated (cordless) power tool.

1. **Work area safety**
    - a. **Keep work area clean and well lit.** Cluttered or dark areas invite accidents.
    - b. **Do not operate power tools in explosive atmospheres, such as in the presence of flammable liquids, gases or dust.** Power tools create sparks which may ignite the dust or fumes.
    - c. **Keep children and bystanders away while operating a power tool.** Distractions can cause you to lose control.
  2. **Electrical safety**
    - a. **Power tool plugs must match the outlet. Never modify the plug in any way. Do not use any adapter plugs with earthed (grounded) power tools.** Unmodified plugs and matching outlets will reduce risk of electric shock.
    - b. **Avoid body contact with earthed or grounded surfaces such as pipes, radiators, ranges and refrigerators.** There is an increased risk of electric shock if your body is earthed or grounded.
    - c. **Do not expose power tools to rain or wet conditions.** Water entering a power tool will increase the risk of electric shock.
  - d. **Do not abuse the cord. Never use the cord for carrying, pulling or unplugging the power tool. Keep cord away from heat, oil, sharp edges or moving parts.** Damaged or entangled cords increase the risk of electric shock.
  - e. **When operating a power tool outdoors, use an extension cord suitable for outdoor use.** Use of a cord suitable for outdoor use reduces the risk of electric shock.
  - f. **If operating a power tool in a damp location is unavoidable, use a residual current device (RCD) protected supply.** Use of an RCD reduces the risk of electric shock.
3. **Personal safety**
    - a. **Stay alert, watch what you are doing and use common sense when operating a power tool. Do not use a power tool while you are tired or under the influence of drugs, alcohol or medication.** A moment of inattention while operating power tools may result in serious personal injury.
    - b. **Use personal protective equipment. Always wear eye protection.** Protective equipment such as dust mask, non-skid safety shoes, hard hat, or hearing protection used for appropriate conditions will reduce personal injuries.
    - c. **Prevent unintentional starting. Ensure the switch is in the off-position before connecting to power source and/or battery pack, picking up or carrying the tool.** Carrying power tools with your finger on the switch or energising power tools that have the switch on invites accidents.
    - d. **Remove any adjusting key or wrench before turning the power tool on.** A wrench or a key left attached to a rotating part of the power tool may result in personal injury.
    - e. **Do not overreach. Keep proper footing and balance at all times.** This enables better control of the power tool in unexpected situations.
    - f. **Dress properly. Do not wear loose clothing or jewellery. Keep your hair, clothing and gloves away from moving parts.** Loose clothes, jewellery or long hair can be caught in moving parts.
    - g. **If devices are provided for the connection of dust extraction and collection facilities, ensure these are connected and properly used.** Use of dust collection can reduce dust-related hazards.

**4. Power tool use and care**

- a. **Do not force the power tool. Use the correct power tool for your application.** The correct power tool will do the job better and safer at the rate for which it was designed.
- b. **Do not use the power tool if the switch does not turn it on and off.** Any power tool that cannot be controlled with the switch is dangerous and must be repaired.
- c. **Disconnect the plug from the power source and/or the battery pack from the power tool before making any adjustments, changing accessories, or storing power tools.** Such preventive safety measures reduce the risk of starting the power tool accidentally.
- d. **Store idle power tools out of the reach of children and do not allow persons unfamiliar with the power tool or these instructions to operate the power tool.** Power tools are dangerous in the hands of untrained users.
- e. **Maintain power tools. Check for misalignment or binding of moving parts, breakage of parts and any other condition that may affect the power tools operation. If damaged, have the power tool repaired before use.** Many accidents are caused by poorly maintained power tools.
- f. **Keep cutting tools sharp and clean.** Properly maintained cutting tools with sharp cutting edges are less likely to bind and are easier to control.
- g. **Use the power tool, accessories and tool bits etc. in accordance with these instructions, taking into account the working conditions and the work to be performed.** Use of the power tool for operations different from those intended could result in a hazardous situation.

**5. Battery tool use and care**

- a. **Recharge only with the charger specified by the manufacturer.** A charger that is suitable for one type of battery pack may create a risk of fire when used with another battery pack.
- b. **Use power tools only with specifically designated battery packs.** Use of any other battery packs may create a risk of injury and fire.
- c. **When battery pack is not in use, keep it away from other metal objects, like paper clips, coins, keys, nails, screws, or other small metal objects, that can make a connection from one terminal to another.**

Shorting the battery terminals together may cause burns or a fire.

- d. **Under abusive conditions, liquid may be ejected from the battery; avoid contact. If contact accidentally occurs, flush with water. If liquid contacts eyes, additionally seek medical help.** Liquid ejected from the battery may cause irritation or burns.

**6. Service**

- a. **Have your power tool serviced by a qualified repair person using only identical replacement parts.** This will ensure that the safety of the power tool is maintained.

**Additional power tool safety warnings**



**Warning!** Additional safety warnings for drills and impact drills

- ◆ **Wear ear protectors with impact drills.** Exposure to noise can cause hearing loss.
- ◆ **Use auxiliary handles supplied with the tool.** Loss of control can cause personal injury.
- ◆ **Hold power tool by insulated gripping surfaces when performing an operation where the cutting accessory may contact hidden wiring or its own cord.** Cutting accessory contacting a "live" wire may make exposed metal parts of the power tool "live" and could give the operator an electric shock
- ◆ **Hold power tool by insulated gripping surfaces when performing an operation where the fastener may contact hidden wiring.** Fasteners contacting a "live" wire may make exposed metal parts of the power tool "live" and could give the operator an electric shock
- ◆ **Use clamps or another practical way to secure and support the workpiece to a stable platform.** Holding the work by hand or against your body leaves it unstable and may lead to loss of control.
- ◆ Before drilling into walls, floors or ceilings, check for the location of wiring and pipes.
- ◆ Avoid touching the tip of a drill bit just after drilling, as it may be hot.
- ◆ This tool is not intended for use by persons (including children) with reduced physical, sensory or mental capabilities, or lack of experience and knowledge, unless they have been given supervision or instruction concerning use of the appliance by a person responsible for their safety. Children should be supervised to ensure that they do not play with the appliance.

- ◆ The intended use is described in this instruction manual. The use of any accessory or attachment or performance of any operation with this tool other than those recommended in this instruction manual may present a risk of personal injury and/or damage to property.

### Vibration

The declared vibration emission values stated in the technical data and the declaration of conformity have been measured in accordance with a standard test method provided by EN 60745 and may be used for comparing one tool with another. The declared vibration emission value may also be used in a preliminary assessment of exposure.

**Warning!** The vibration emission value during actual use of the power tool can differ from the declared value depending on the ways in which the tool is used. The vibration level may increase above the level stated.

When assessing vibration exposure to determine safety measures required by 2002/44/EC to protect persons regularly using power tools in employment, an estimation of vibration exposure should consider, the actual conditions of use and the way the tool is used, including taking account of all parts of the operating cycle such as the times when the tool is switched off and when it is running idle in addition to the trigger time.

### Labels on tool

The following pictograms are shown on the tool:



**Warning!** To reduce the risk of injury, the user must read the instruction manual.

### Additional safety instructions for batteries and chargers

#### Batteries

- ◆ Never attempt to open for any reason.
- ◆ Do not expose the battery to water.
- ◆ Do not store in locations where the temperature may exceed 40 °C.
- ◆ Charge only at ambient temperatures between 10 °C and 40 °C.
- ◆ Charge only using the charger provided with the tool.
- ◆ When disposing of batteries, follow the instructions given in the section "Protecting the environment".



Do not attempt to charge damaged batteries.

### Chargers

- ◆ Use your Black & Decker charger only to charge the battery in the tool with which it was supplied. Other batteries could burst, causing personal injury and damage.
- ◆ Never attempt to charge non-rechargeable batteries.
- ◆ Have defective cords replaced immediately.
- ◆ Do not expose the charger to water.
- ◆ Do not open the charger.
- ◆ Do not probe the charger.



The charger is intended for indoor use only.



Read the instruction manual before use.



The charger automatically shuts off if the ambient temperature becomes too high. The thermal cut out operates only once and then requires complete replacement.

### Electrical safety



Your charger is double insulated; therefore no earth wire is required. Always check that the mains voltage corresponds to the voltage on the rating plate. Never attempt to replace the charger unit with a regular mains plug.

- ◆ If the supply cord is damaged, it must be replaced by the manufacturer or an authorised Black & Decker Service Centre in order to avoid a hazard.

### Features

This tool includes some or all of the following features.

1. Variable speed switch
2. Forward/reverse slider
3. Mode selector / torque adjustment collar
4. Chuck
5. Speed selector
6. Bit holder
7. Battery

### Fig. A

8. Charger plug
9. Charger
10. Charger receptacle

### Assembly

**Warning!** Before assembly, remove the battery from the tool.

## Fitting and removing the battery (fig. B & C)

- ◆ To fit the battery (7), line it up with the receptacle on the tool. Slide the battery into the receptacle and push until the battery snaps into place.
- ◆ To remove the battery, push the release button (11) while at the same time pulling the battery out of the receptacle.

## Fitting the battery cap (fig. C)

**Warning!** Fit the cap (12) to the battery (7) for transportation and storage.

## Fitting and removing a drill bit or screwdriver bit (fig. D)

This tool is fitted with a keyless chuck to allow for an easy exchange of bits.

- ◆ Lock the tool by setting the forward/reverse slider (2) to the centre position.
- ◆ Open the chuck by turning the front part (13) with one hand while holding the rear part (14) with the other.
- ◆ Insert the bit shaft (15) into the chuck and firmly tighten the chuck.

This tool is supplied with a double-ended screwdriver bit in the bit holder (6).

- ◆ To remove the screwdriver bit from the bit holder, lift the bit from the recess.
- ◆ To store the screwdriver bit, firmly push it into the holder.

## Removing and refitting the chuck (fig. E)

- ◆ Open the chuck as far as possible.
- ◆ Remove the chuck retaining screw by turning it clockwise using a screwdriver.
- ◆ Tighten an Allen key into the chuck and strike it with a hammer as shown.
- ◆ Remove the Allen key.
- ◆ Remove the chuck by turning it counterclockwise.
- ◆ To refit the chuck, screw it onto the spindle and secure it with the chuck retaining screw.

## Residual risks.

Additional residual risks may arise when using the tool which may not be included in the enclosed safety warnings. These risks can arise from misuse, prolonged use etc.

Even with the application of the relevant safety regulations and the implementation of safety devices, certain residual risks can not be avoided. These include:

- ◆ **Injuries caused by touching any rotating/moving parts.**

- ◆ **Injuries caused when changing any parts, blades or accessories.**
- ◆ **Injuries caused by prolonged use of a tool. When using any tool for prolonged periods ensure you take regular breaks.**
- ◆ **Impairment of hearing.**
- ◆ **Health hazards caused by breathing dust developed when using your tool (example:- working with wood, especially oak, beech and MDF.)**

## Use

**Warning!** Let the tool work at its own pace. Do not overload.

**Warning!** Before drilling into walls, floors or ceilings, check for the location of wiring and pipes.

## Charging the battery (fig. A & F)

The battery needs to be charged before first use and whenever it fails to produce sufficient power on jobs that were easily done before. When charging the battery for the first time, or after prolonged storage, it will only accept an 80% charge. After several charge and discharge cycles, the battery will attain full capacity. The battery may become warm while charging; this is normal and does not indicate a problem.

**Warning!** Do not charge the battery at ambient temperatures below 10 °C or above 40 °C. Recommended charging temperature: approx. 24 °C.

## Using the charger

- ◆ To charge the battery (7), remove it from the tool and slide the charger receptacle (10) onto the battery.
  - ◆ Plug in the charger (9).
- The battery will become warm while charging. After approx. 3 hours of charging, the battery will be sufficiently charged for use in regular applications. After approx. 8-10 hours of charging, the battery will be fully charged.
- ◆ Remove the charger receptacle from the battery.

## Charger with charging plug

- ◆ To charge the battery, make sure that it is fitted on the drill.
- ◆ Insert the charger plug (8) into the connector.
- ◆ Plug in the charger.
- ◆ Switch on at the mains.

After normal use, a charging time of 3 hours will provide sufficient power for most applications.



However, further charging for up to 6 hours could significantly increase the use time, depending on the battery and charging conditions.

- ◆ Disconnect the tool from the charger.

**Warning!** Do not use the tool while it is connected to the charger.


### Selecting the direction of rotation (fig. G)

For drilling and for tightening screws, use forward (clockwise) rotation. For loosening screws or removing a jammed drill bit, use reverse (counterclockwise) rotation.


- ◆ To select forward rotation, push the forward/reverse slider (2) to the left.
- ◆ To select reverse rotation, push the forward/reverse slider to the right.
- ◆ To lock the tool, set the forward/reverse slider into the centre position.

### Selecting the operating mode or torque (fig. H)

This tool is fitted with a collar to select the operating mode and to set the torque for tightening screws. Large screws and hard workpiece materials require a higher torque setting than small screws and soft workpiece materials. The collar has a wide range of settings to suit your application.

- ◆ For drilling in wood, metal and plastics, set the collar (3) to the drilling position by aligning the symbol  with the marking (16).
- ◆ For screwdriving, set the collar to the desired setting. If you do not yet know the appropriate setting, proceed as follows:
  - Set the collar (3) to the lowest torque setting.
  - Tighten the first screw.
  - If the clutch ratchets before the desired result is achieved, increase the collar setting and continue tightening the screw. Repeat until you reach the correct setting. Use this setting for the remaining screws.

### Drilling in masonry (fig. H & I)

- ◆ For drilling in masonry, set the collar (3) to the hammer drilling position by aligning the symbol  with the marking (16).
- ◆ Slide the speed selector (5) towards the front of the tool (2nd gear).

### Speed selector (fig. I)

- ◆ For drilling in steel and for screwdriving applications, slide the speed selector (5) towards the rear of the tool (1st gear).

- ◆ For drilling in materials other than steel, slide the speed selector (5) towards the front of the tool (2nd gear).

### Drilling/screwdriving

- ◆ Select forward or reverse rotation using the forward/reverse slider (2).
- ◆ To switch the tool on, press the switch (1). The tool speed depends on how far you press the switch.
- ◆ To switch the tool off, release the switch.

### Hints for optimum use

#### Drilling

- ◆ Always apply a light pressure in a straight line with the drill bit.
- ◆ Just before the drill tip breaks through the other side of the workpiece, decrease pressure on the tool.
- ◆ Use a block of wood to back up workpieces that may splinter.
- ◆ Use spade bits when drilling large diameter holes in wood.
- ◆ Use HSS drill bits when drilling in metal.
- ◆ Use masonry bits when drilling in soft masonry.
- ◆ Use a lubricant when drilling metals other than cast iron and brass.
- ◆ Make an indentation using a centre punch at the centre of the hole to be drilled in order to improve accuracy.

#### Screwdriving

- ◆ Always use the correct type and size of screwdriver bit.
- ◆ If screws are difficult to tighten, try applying a small amount of washing liquid or soap as a lubricant.
- ◆ Always hold the tool and screwdriver bit in a straight line with the screw.

### Maintenance

Your Black & Decker tool has been designed to operate over a long period of time with a minimum of maintenance. Continuous satisfactory operation depends upon proper tool care and regular cleaning.

Your charger does not require any maintenance apart from regular cleaning.

**Warning!** Before performing any maintenance on the tool, remove the battery from the tool. Unplug the charger before cleaning it.

- ◆ Regularly clean the ventilation slots in your tool and charger using a soft brush or dry cloth.

## ENGLISH

- ◆ Regularly clean the motor housing using a damp cloth. Do not use any abrasive or solvent-based cleaner.
- ◆ Regularly open the chuck and tap it to remove any dust from the interior.

### Protecting the environment



Separate collection. This product must not be disposed of with normal household waste.

Should you find one day that your Black & Decker product needs replacement, or if it is of no further use to you, do not dispose of it with household waste. Make this product available for separate collection.



Separate collection of used products and packaging allows materials to be recycled and used again. Re-use of recycled materials helps prevent environmental pollution and reduces the demand for raw materials.

Local regulations may provide for separate collection of electrical products from the household, at municipal waste sites or by the retailer when you purchase a new product.

Black & Decker provides a facility for the collection and recycling of Black & Decker products once they have reached the end of their working life. To take advantage of this service please return your product to any authorised repair agent who will collect them on our behalf.

You can check the location of your nearest authorised repair agent by contacting your local Black & Decker office at the address indicated in this manual. Alternatively, a list of authorised Black & Decker repair agents and full details of our after-sales service and contacts are available on the Internet at: [www.2helpU.com](http://www.2helpU.com)

### Batteries



Black & Decker batteries can be recharged many times. At the end of their useful life, discard batteries with due care for our environment:

- ◆ Run the battery down completely, then remove it from the tool.
- ◆ NiCd, NiMH and Li-Ion batteries are recyclable. Take them to any authorised repair agent or a local recycling station.

### Technical data

		EPC126 (H1)	EPC146 (H1)	EPC186 (H1)
Voltage	$V_{DC}$	12	14.4	18
No-load speed	$min^{-1}$	0-450/ 0-1,400	0-450/ 0-1,500	0-400/ 0-1,350
Max. torque	Nm	18	20	25
Chuck capacity	mm	10	10	10
Max. drilling capacity				
Steel/Wood	mm	10/25	10/25	10/25

Battery	A12/A12E	A14/A14E	A18/A18E
Capacity	Ah 1.0	1.0	1.0
Type	NiCd	NiCd	NiCd
Weight	kg 0.5	0.6	0.7

Battery	A12NH	A14NH	A18NH
Capacity	Ah 1.5	1.5	1.5
Type	NiMH	NiMH	NiMH
Weight	kg 0.6	0.7	0.9

Charger			
		90500843	90500844
		90500847	90500848
		90500855	90500856
		90500858	90500859
		90500858	90500860
Input voltage	$V_{AC}$	230-240	230-240
Output voltage	$V_{DC}$	14.5-15.3	17.4-18.2
Current	mA	210-220	200-210
Approx. charging time	h	8-10	8-10

		EPC128 (H1)	EPC148 (H1)	EPC188 (H1)
Voltage	$V_{DC}$	12	14.4	18
No-load speed	$min^{-1}$	0-450/ 0-1,400	0-450/ 0-1,500	0-400/ 0-1,350
Max. torque	Nm	18	22	25
Chuck capacity	mm	10	10	10
Max. drilling capacity				
Steel/Wood	mm	10/25	10/25	10/25
Masonry	mm	10	10	10

Battery	A12/A12E	A14/A14E	A18/A18E
Capacity	Ah 1.0	1.0	1.0
Type	NiCd	NiCd	NiCd
Weight	kg 0.5	0.6	0.7

Battery	A12NH	A14NH	A18NH
Capacity	Ah 1.5	1.5	1.5
Type	NiMH	NiMH	NiMH
Weight	kg 0.6	0.7	0.9

Charger				
		90500843	90500844	90500845
		90500847	90500848	90500849
		90500855	90500856	90500857
		90500858	90500859	90500860
Input voltage	$V_{AC}$	230-240	230-240	230-240
Output voltage	$V_{DC}$	14.5-15.3	17.4-18.2	21.75-22.6
Current	mA	210-220	200-210	210-230
Approx. charging time	h	8-10	8-10	8-10

#### Level of sound pressure according to EN 60745:

Sound pressure ( $L_{pA}$ ) 87 dB(A), uncertainty (K) 3 dB(A)

Sound power ( $L_{WA}$ ) 98 dB(A), uncertainty (K) 3 dB(A)

#### Vibration total values (triax vector sum) according to EN 60745:

Impact drilling into concrete ( $a_{h, ID}$ ) 11.4 m/s<sup>2</sup>, uncertainty (K) 1.5 m/s<sup>2</sup>

Drilling into metal ( $a_{h, D}$ ) <2.5 m/s<sup>2</sup>, uncertainty (K) 1.5 m/s<sup>2</sup>

Screwdriwing without impact ( $a_{h, S}$ ) <2.5 m/s<sup>2</sup>, uncertainty (K) 1.5 m/s<sup>2</sup>

### EC declaration of conformity

MACHINERY DIRECTIVE



**EPC126/EPC146/EPC186/ EPC148/EPC148/  
EPC188**

Black & Decker declares that these products described under "technical data" are in compliance with: 2006/42/EC, EN 60745-1, EN 60745-2-1.

For more information, please contact Black & Decker at the following address or refer to the back of the manual.

The undersigned is responsible for compilation of the technical file and makes this declaration on behalf of Black & Decker.

Kevin Hewitt  
Vice-President  
Global Engineering  
Black & Decker Europe  
210 Bath Road, Slough  
Berkshire, SL1 3YD  
United Kingdom  
13/07/2011

### Guarantee

Black & Decker is confident of the quality of its products and offers an outstanding guarantee. This guarantee statement is in addition to and in no way prejudices your statutory rights. The guarantee is valid within the territories of the Member States of the European Union and the European Free Trade Area.

If a Black & Decker product becomes defective due to faulty materials, workmanship or lack of conformity, within 24 months from the date of purchase, Black & Decker guarantees to replace defective parts, repair products subjected to fair wear and tear or replace such products to ensure minimum inconvenience to the customer unless:

- ◆ The product has been used for trade, professional or hire purposes.
- ◆ The product has been subjected to misuse or neglect.
- ◆ The product has sustained damage through foreign objects, substances or accidents.
- ◆ Repairs have been attempted by persons other than authorised repair agents or Black & Decker service staff.

To claim on the guarantee, you will need to submit proof of purchase to the seller or an authorised repair agent. You can check the location of your nearest authorised repair agent by contacting your local Black & Decker office at the address indicated in this manual. Alternatively, a list of authorised Black & Decker repair agents and full details of our after-sales service and contacts are available on the Internet at: [www.2helpU.com](http://www.2helpU.com).

Please visit our website [www.blackanddecker.co.uk](http://www.blackanddecker.co.uk) to register your new Black & Decker product and to be kept up to date on new products and special offers. Further information on the Black & Decker brand and our range of products is available at [www.blackanddecker.co.uk](http://www.blackanddecker.co.uk).

## Bestimmungsgemäße Verwendung

Ihr Black & Decker Bohrschrauber EPC126/ EPC146/EPC186 wurde für Schraubaufgaben sowie für das Bohren in Holz, Metall und Kunststoff konstruiert.

Ihr Black & Decker Bohrschrauber EPC128/ EPC148/EPC188 wurde für Schraubaufgaben sowie für das Bohren in Holz, Metall, Kunststoff und weiches Mauerwerk konstruiert. Dieses Gerät ist nicht für den gewerblichen Einsatz vorgesehen.

## Sicherheitshinweise

### Allgemeine Warnhinweise zur Sicherheit von Elektrowerkzeugen



**Achtung! Lesen Sie sämtliche Sicherheitswarnhinweise und sonstigen Anweisungen.** Die Nichteinhaltung der nachstehend aufgeführten Warnhinweise und sonstigen Anweisungen kann einen elektrischen Schlag, Brand und/oder schwere Verletzungen verursachen.

### Bewahren Sie alle Warnhinweise und sonstigen Anweisungen zur künftigen Bezugnahme auf.

Der nachfolgend verwendete Begriff „Gerät“ bezieht sich auf netzbetriebene Geräte (mit Netzkabel) und auf akkubetriebene Geräte (ohne Netzkabel).

#### 1. Sicherheit am Arbeitsplatz

- a. **Halten Sie Ihren Arbeitsbereich sauber und gut ausgeleuchtet.** Unordnung und dunkle Arbeitsbereiche fordern Unfälle geradezu heraus.
- b. **Arbeiten Sie mit Geräten nicht in explosionsgefährdeter Umgebung, in der sich brennbare Flüssigkeiten, Gase oder Stäube befinden.** Geräte erzeugen Funken, die den Staub oder die Dämpfe entzünden können.
- c. **Halten Sie Kinder und andere Personen während der Benutzung eines Geräts fern.** Bei Ablenkung können Sie die Kontrolle verlieren.

#### 2. Elektrische Sicherheit

- a. **Der Anschlussstecker des Geräts muß in die Steckdose passen. Der Stecker darf in keiner Weise verändert werden. Verwenden Sie keine Adapterstecker gemeinsam mit schutzgeerdeten Geräten.** Unveränderte Stecker und passende Steckdosen verringern das Risiko eines elektrischen Schlages.

- b. **Vermeiden Sie Körperkontakt mit geerdeten Oberflächen von Rohren, Heizungen, Herden und Kühlschränken.** Es besteht ein erhöhtes Risiko eines elektrischen Schlages, wenn Ihr Körper geerdet ist.

- c. **Halten Sie Geräte von Regen und Nässe fern.** Das Eindringen von Wasser in ein Gerät erhöht das Risiko eines elektrischen Schlages.

- d. **Mißbrauchen Sie nicht das Kabel. Verwenden Sie das Kabel niemals zum Tragen, Ziehen oder Trennen des Gerätes vom Netz. Halten Sie das Kabel fern von Hitze, Öl, scharfen Kanten oder sich bewegendenden Teilen.** Beschädigte oder verwickelte Kabel erhöhen das Risiko eines elektrischen Schlages.

- e. **Wenn Sie mit einem Gerät im Freien arbeiten, verwenden Sie nur Verlängerungskabel, die auch für den Außenbereich zugelassen sind.** Die Verwendung eines für den Außenbereich geeigneten Verlängerungskabels verringert das Risiko eines elektrischen Schlages.

- f. **Falls der Betrieb des Elektrowerkzeugs in einer feuchten Umgebung unvermeidbar ist, verwenden Sie einen mit einem Fehlerstromschutzschalter (FI-Schutzschalter) abgesicherten Stromkreis.** Durch die Verwendung eines FI-Schutzschalters wird das Risiko eines Stromschlages verringert.

#### 3. Sicherheit von Personen

- a. **Seien Sie aufmerksam, achten Sie darauf, was Sie tun, und gehen Sie vernünftig mit einem Gerät um. Benutzen Sie das Gerät nicht, wenn Sie müde sind oder unter dem Einfluß von Drogen, Alkohol oder Medikamenten stehen.** Ein Moment der Unachtsamkeit beim Gebrauch von Geräten kann zu ernsthaften Verletzungen führen.
- b. **Tragen Sie persönliche Schutzausrüstung. Tragen Sie immer eine Schutzbrille.** Das Tragen persönlicher Schutzausrüstung, wie Staubmaske, rutschfeste Sicherheitsschuhe, Schutzhelm oder Gehörschutz, je nach Art und Einsatz des Elektrowerkzeuges, verringert das Risiko von Verletzungen.
- c. **Vermeiden Sie eine unbeabsichtigte Inbetriebnahme. Vergewissern Sie sich, dass der Schalter auf der Aus-Stellung steht, bevor Sie den Stecker in die Steckdose stecken und/oder das Akkupaket im Werkzeug stecken, das Werkzeug aufnehmen oder tragen.** Wenn Sie beim

Tragen des Elektrowerkzeugs den Finger am Schalter haben oder das Werkzeug eingeschaltet an die Stromversorgung anschließen, kann dies zu Unfällen führen.

- d. **Entfernen Sie Einstell- oder Schraubenschlüssel, bevor Sie das Gerät einschalten.** Ein Schlüssel, der sich in einem sich drehenden Teil befindet, kann zu Verletzungen führen.
  - e. **Nicht zu weit nach vorne strecken! Achten Sie auf einen sicheren Stand, um in jeder Arbeitsposition das Gleichgewicht zu halten.** Dadurch können Sie das Gerät in unerwarteten Situationen besser unter Kontrolle halten.
  - f. **Tragen Sie geeignete Kleidung. Tragen Sie keine weite Kleidung oder Schmuck. Halten Sie Haare, Kleidung und Handschuhe fern von sich bewegenden Teilen.** Lockere Kleidung, Schmuck oder lange Haare können von sich bewegenden Teilen erfaßt werden.
  - g. **Falls Staubabsaug- und -auffangvorrichtungen vorhanden sind, vergewissern Sie sich, daß diese angeschlossen sind und richtig verwendet werden.** Das Verwenden dieser Einrichtungen verringert Gefährdungen durch Staub.
- 4. Gebrauch und Pflege von Geräten**
- a. **Überlasten Sie das Gerät nicht. Verwenden Sie für Ihre Arbeit das dafür bestimmte Gerät.** Mit dem passenden Gerät arbeiten Sie besser und sicherer im angegebenen Leistungsbereich.
  - b. **Benutzen Sie kein Gerät, dessen Schalter defekt ist.** Ein Gerät, das sich nicht mehr ein- oder ausschalten läßt, ist gefährlich und muß repariert werden.
  - c. **Trennen Sie den Stecker von der Stromquelle und/oder das Akkupaket vom Elektrowerkzeug, bevor Einstellungen vorgenommen, Zubehör gewechselt oder Elektrowerkzeuge verstaut werden.** Diese Vorsichtsmaßnahmen verhindern den unbeabsichtigten Start des Gerätes.
  - d. **Bewahren Sie unbenutzte Geräte außerhalb der Reichweite von Kindern auf. Lassen Sie Geräte nicht von Personen benutzen, die damit nicht vertraut sind oder diese Anweisungen nicht gelesen haben.** Geräte sind gefährlich, wenn Sie von unerfahrenen Personen benutzt werden.
  - e. **Halten Sie Geräte in einem einwandfreien Zustand. Kontrollieren Sie, ob bewegliche**

**Teile falsch ausgerichtet sind oder klemmen und ob Teile gebrochen oder so beschädigt sind, daß die Funktion des Geräts beeinträchtigt ist. Lassen Sie beschädigte Geräte vor dem Gebrauch reparieren.** Viele Unfälle haben ihre Ursache in schlecht gewarteten Geräten.

- f. **Halten Sie Schneidgeräte scharf und sauber.** Sorgfältig gepflegte Schneidgeräte mit scharfen Schneidkanten verkleben sich weniger und sind leichter zu führen.
  - g. **Verwenden Sie das Elektrowerkzeug, Zubehör sowie Werkzeug-Bits, usw. entsprechend diesen Anweisungen. Berücksichtigen Sie dabei die Arbeitsbedingungen sowie die durchzuführende Arbeit.** Der Gebrauch von Geräten für andere als die vorgesehenen Anwendungen kann zu gefährlichen Situationen führen.
- 5. Gebrauch und Pflege von Akkugeräten**
- a. **Laden Sie die Akkus nur in Ladegeräten auf, die vom Hersteller angegeben wurden.** Für ein Ladegerät, das nur für eine bestimmte Akkuart geeignet ist, besteht Brandgefahr, wenn es mit anderen Akkus verwendet wird.
  - b. **Verwenden Sie nur die für die Geräte vorgesehenen Akkus.** Der Gebrauch von anderen Akkus kann zu Verletzungen und Brandgefahr führen.
  - c. **Halten Sie den nicht benutzten Akku fern von Büroklammern, Münzen, Schlüsseln, Nägeln, Schrauben oder anderen kleinen Metallgegenständen, die eine Überbrückung der Kontakte verursachen könnten.** Ein Kurzschluss zwischen den Akkukontakten kann Verbrennungen oder Feuer zur Folge haben.
  - d. **Bei falscher Anwendung kann Flüssigkeit aus dem Akku austreten. Vermeiden Sie den Kontakt damit. Bei unbeabsichtigtem Kontakt mit Wasser abspülen. Gelangt die Flüssigkeit in die Augen, ziehen Sie außerdem ärztliche Hilfe hinzu.** Austretende Batterieflüssigkeit kann zu Hautreizungen oder Verbrennungen führen.
- 6. Service**
- a. **Lassen Sie Ihr Gerät nur von qualifiziertem Fachpersonal und nur mit Original-Ersatzteilen reparieren.** Damit wird gewährleistet, daß die Sicherheit des Geräts erhalten bleibt.

## Zusätzliche Warnhinweise zur Sicherheit von Elektrowerkzeugen



**Achtung!** Zusätzliche Warnhinweise zur Sicherheit für Bohrmaschinen und Schlagbohrmaschinen

- ◆ **Tragen Sie bei Schlagbohrmaschinen einen Gehörschutz.** Lärm kann Gehörschäden verursachen.
- ◆ **Verwenden Sie die im Lieferumfang des Werkzeugs enthaltenen Zusatzhandgriffe.** Ein Kontrollverlust kann Personenverletzungen verursachen.
- ◆ **Halten Sie das Elektrowerkzeug an den isolierten Griffflächen, wenn Arbeiten durchgeführt werden, bei denen das Schneidezubehör versteckte Leitungen oder die eigene Anschlußleitung berühren könnte.** Schneidezubehöerteil, das eine spannungsführende Leitung berühren, setzen die freiliegenden Metallteile des Geräts unter Spannung und der Benutzer erleidet einen Stromschlag.
- ◆ **Verwenden Sie Zwingen oder ähnliche Mittel, um das Werkstück auf einer stabilen Plattform zu halten und zu sichern.** Falls das Werkstück mit der Hand oder gegen den Körper gehalten wird, bleibt es instabil und Sie können die Kontrolle verlieren.
- ◆ Informieren Sie sich vor dem Bohren in Wände, Böden und Decken über den genauen Verlauf von Leitungen und Rohren.
- ◆ Vermeiden Sie eine Berührung der Spitze eines Bohrers kurz nach dem Bohren, da sie heiß sein kann.
- ◆ Dieses Gerät darf nicht von Personen (einschließlich Kindern) mit eingeschränkten körperlichen, sensorischen oder geistigen Fähigkeiten verwendet werden. Auch darf es nicht von Personen verwendet werden, die keine Erfahrung mit dem Gerät oder Kenntnis darüber haben, es sei denn, sie stehen beim Gebrauch unter der Aufsicht und Anleitung einer für deren Sicherheit verantwortlichen Person. Kinder müssen beaufsichtigt werden, um sicherzustellen, daß sie nicht mit dem Gerät spielen.
- ◆ Die bestimmungsgemäße Verwendung ist in dieser Bedienungsanleitung beschrieben. Das Verwenden anderer als der in dieser Anleitung empfohlenen Anbaugeräte und Zubehörteile oder die Ausführung von Arbeiten mit diesem Gerät, die nicht der bestimmungsgemäßen

Verwendung entsprechen, kann zu Unfallgefahren und/oder Sachschäden führen.

## Vibrationen

Die angegebenen Vibrationswerte in den Technischen Daten und der Konformitätserklärung wurden gemäß einer standardisierten und durch EN 60745 festgelegten Prüfmethode gemessen und können herangezogen werden, um ein Werkzeug mit einem anderen zu vergleichen. Der angegebene Vibrationswert kann auch für eine vorläufige Einstufung der Freisetzung herangezogen werden.

**Achtung!** Der Vibrationswert beim eigentlichen Gebrauch des Elektrowerkzeugs kann vom angegebenen Wert abweichen. Dies hängt davon ab, auf welche Weise das Werkzeug verwendet wird. Der Vibrationswert kann über den angegebenen Wert hinaus ansteigen.

Bei der Einstufung der Vibrationen zur Festlegung der von 2002/44/EG geforderten Sicherheitsmaßnahmen zum Schutz von Personen, die beruflich regelmäßig mit Elektrowerkzeugen arbeiten, muß eine Vibrationseinstufung die tatsächlichen Gebrauchsbedingungen und die Art und Weise berücksichtigen, wie das Werkzeug verwendet wird. Auch müssen alle Aspekte des Arbeitszyklus berücksichtigt werden, wie beispielsweise die Zeiten, in denen das Werkzeug aus- und eingeschaltet ist und im Leerlauf läuft.

## Schilder auf dem Gerät

Es befinden sich folgende Bildzeichen auf dem Gerät:



**Achtung!** Um die Verletzungsgefahr zu verringern, muß der Benutzer die Bedienungsanleitung lesen.

## Zusätzliche Sicherheitsanweisungen für Akkus und Ladegeräte

### Akkus

- ◆ Versuchen Sie auf keinen Fall, einen Akku zu öffnen.
- ◆ Setzen Sie den Akku keiner Nässe aus.
- ◆ Nicht an einem Ort aufbewahren, wo die Temperatur 40 °C überschreiten kann.
- ◆ Nur bei Umgebungstemperaturen zwischen 10 °C und 40 °C aufladen.
- ◆ Laden Sie den Akku nur mit dem im Lieferumfang enthaltenen Ladegerät.
- ◆ Befolgen Sie bei der Entsorgung von Akkus die Anweisungen im Abschnitt „Umweltschutz“.





Versuchen Sie nie, einen beschädigten Akku zu laden!

### Ladegeräte

- ◆ Verwenden Sie Ihr Black & Decker Ladegerät nur zum Laden von Akkus des im Lieferumfang enthaltenen Typs. Andere Akkus könnten platzen und Sach- und Personenschäden verursachen.
- ◆ Versuchen Sie nie, nicht aufladbare Akkus zu laden.
- ◆ Lassen Sie beschädigte Leitungen sofort austauschen.
- ◆ Setzen Sie das Ladegerät niemals Nässe aus.
- ◆ Öffnen Sie das Ladegerät nicht.
- ◆ Fassen Sie nicht mit den Fingern oder irgendwelchen Gegenständen in das Ladegerät.



Das Ladegerät ist ausschließlich für den Gebrauch in geschlossenen Räumen vorgesehen.



Lesen Sie vor dem Gebrauch sorgfältig die Bedienungsanleitung.



Bei extrem hohen Umgebungstemperaturen schaltet sich das Ladegerät automatisch ab. Die Vorrichtung zur temperaturbedingten Abschaltung muss nach einmaliger Verwendung vollständig ersetzt werden.

### Elektrische Sicherheit



Ihr Ladegerät ist schutzisoliert, daher ist keine Erdleitung erforderlich. Überprüfen Sie immer, ob die Netzspannung mit der Spannung auf der Datenplakette übereinstimmt. Tauschen Sie das Ladegerät auf keinen Fall gegen einen Netzstecker aus.

- ◆ Falls das Netzkabel beschädigt ist, so ist es vom Hersteller oder einem autorisierten Black & Decker Service Center auszutauschen, um Gefahren vorzubeugen.

### Merkmale

Dieses Gerät weist einige oder alle der folgenden Merkmale auf.

1. Drehzahl-Regelschalter
2. Rechts-/Linkslaufschalter
3. Betriebsart-Wahlschalter/Drehmoment-Einstellung
4. Bohrfutter

5. Gang-Umschalter
6. Werkzeugaufnahme
7. Akku

### Abb. A

8. Ladegerätstecker
9. Ladegerät
10. Ladegerätaufnahme

### Montage

**Achtung!** Nehmen Sie vor der Montage den Akku vom Gerät.

### Einsetzen und Entfernen des Akkus (Abb. B & C)

- ◆ Um den Akku (7) anzubringen, richten Sie ihn mit der Aufnahme am Gerät aus. Schieben Sie den Akku in die Aufnahme und drücken ihn, bis er einrastet.
- ◆ Um den Akku zu entfernen, drücken Sie den Löseknopf (11) und ziehen Sie gleichzeitig den Akku aus der Aufnahme heraus.

### Anbringen des Akkudeckels (Abb. C)

**Achtung!** Bringen Sie zum Transport und zur Aufbewahrung den Deckel (12) am Akku (7) an.

### Anbringen und Entfernen eines Bohrers oder einer Schrauber Klinge (Abb. D)

Dieses Werkzeug ist mit einem Schnellspannfutter ausgestattet, das ein leichtes und schnelles Austauschen von Bohrern und Schrauberklingen ermöglicht.

- ◆ Sperren Sie das Werkzeug, indem Sie den Rechts-/Linkslaufschalter (2) in die mittlere Stellung schieben.
- ◆ Öffnen Sie das Bohrfutter, indem Sie den vorderen Teil (13) mit der einen Hand aufdrehen, während Sie den hinteren Teil (14) mit der anderen Hand festhalten.
- ◆ Setzen Sie den Schaft (15) des Bohrers bzw. der Schrauber Klinge in das Bohrfutter, und ziehen Sie das Bohrfutter fest an.

Dieses Werkzeug wird mit einer zweiseitigen Schrauber Klinge in der Aufnahme (6) ausgeliefert.

- ◆ Um die Schrauber Klinge aus der Aufnahme zu entfernen, ziehen Sie sie aus der Aussparung.
- ◆ Um die Schrauber Klinge in der Aufnahme anzubringen, drücken Sie sie fest in die Aufnahme.

### Entfernen und Anbringen des Bohrfutters (Abb. E)

- ◆ Öffnen Sie das Spannfutter vollständig.
- ◆ Entfernen Sie die Bohrfuttersicherungsschraube, indem Sie sie

mit einem Schraubendreher im Uhrzeigersinn drehen.

- ◆ Spannen Sie einen Innensechskantschlüssel in das Bohrfutter ein, und schlagen Sie wie angegeben mit einem Hammer auf den Innensechskantschlüssel.
- ◆ Entfernen Sie den Innensechskantschlüssel.
- ◆ Entfernen Sie das Spannfutter, indem Sie es gegen den Uhrzeigersinn drehen.
- ◆ Um das Spannfutter wieder anzubringen, schrauben Sie es auf die Spindel, und sichern Sie es mit der Spannfutter-Sicherungsschraube.

## Restrisiken

Für den Gebrauch dieses Werkzeugs verbleiben zusätzliche Restrisiken, die möglicherweise nicht in den Sicherheitswarnungen genannt werden. Diese Risiken bestehen beispielsweise bei Missbrauch oder längerem Gebrauch.

Auch bei der Einhaltung der entsprechenden Sicherheitsvorschriften und der Verwendung aller Sicherheitsgeräte bestehen weiterhin bestimmte Restrisiken. Diese werden im Folgenden aufgeführt:

- ◆ **Verletzungen, die durch das Berühren von sich drehenden/bewegenden Teilen verursacht werden.**
- ◆ **Verletzungen, die durch das Austauschen von Teilen, Messern oder Zubehör verursacht werden.**
- ◆ **Verletzungen, die durch längeren Gebrauch eines Werkzeugs verursacht werden. Legen Sie bei längerem Gebrauch regelmäßige Pausen ein.**
- ◆ **Beeinträchtigung des Gehörs.**
- ◆ **Gesundheitsrisiken durch das Einatmen von Staub beim Gebrauch des Werkzeugs (beispielsweise bei Holzarbeiten, insbesondere Eiche, Buche und Pressspan).**

## Gebrauch

**Achtung!** Beschleunigen Sie den Arbeitsvorgang nicht mit Gewalt. Vermeiden Sie eine Überlastung des Gerätes.

**Achtung!** Informieren Sie sich vor dem Bohren in Wände, Böden und Decken über den genauen Verlauf von Leitungen und Rohren.

## Laden des Akkus (Abb. A & F)

Der Akku ist zu laden, bevor Sie das Akku-Gerät zum ersten Mal benutzen sowie wenn die Leistung des Akku-Geräts spürbar nachläßt. Wenn der

Akku zum ersten Mal oder nach längerer Lagerung geladen wird, wird er nur 80% der Nennkapazität erreichen. Erst nach mehreren Lade- und Entladezyklen wird der Akku die volle Kapazität erreichen. Während des Ladens kann sich der Akku erwärmen. Dies deutet nicht auf irgendein Problem hin.

**Achtung!** Laden Sie den Akku nicht bei einer Umgebungstemperatur unter 10 °C oder über 40 °C. Empfohlene Ladetemperatur: zirka 24 °C.

## Gebrauch des Ladegeräts

- ◆ Um den Akku (7) zu laden, entfernen Sie ihn vom Gerät, und schieben Sie die Ladegerätaufnahme (10) auf den Akku.
- ◆ Stecken Sie das Ladegerät (9) in die Steckdose.

Der Akku wird beim Aufladen warm. Nach ca. 3 Stunden Ladezeit ist der Akku für den normalen Gebrauch ausreichend aufgeladen. Nach ca. 8-10 Stunden Ladezeit ist der Akku vollständig aufgeladen.

- ◆ Entfernen Sie die Aufnahme des Ladegeräts vom Akku.

## Ladegerät mit Stecker des Ladegeräts

- ◆ Um den Akku zu laden, stellen Sie sicher, daß Sie am Bohrschrauber angebracht ist.
- ◆ Stecken Sie den Stecker des Ladegeräts (8) in die Buchse.
- ◆ Stecken Sie das Ladegerät in die Steckdose.
- ◆ Schalten Sie es am Hauptschalter ein.

Bei normalem Gebrauch liefert eine Ladezeit von 3 Stunden für die meisten Einsätze ausreichend Energie. Je nach Zustand des Akkus und den Ladebedingungen kann eine weitere Ladezeit von bis zu 6 Stunden die Einsatzzeit jedoch beträchtlich erhöhen.

- ◆ Trennen Sie das Werkzeug vom Ladegerät.

**Achtung!** Verwenden Sie das Werkzeug nicht, während es am Ladegerät angeschlossen ist.

## Wahl der Drehrichtung (Abb. G)


Zum Bohren sowie zum Eindrehen von Schrauben verwenden Sie den Rechtslauf (im Uhrzeigersinn). Zum Lösen von Schrauben sowie zum Lösen eines festsitzenden Bohrers verwenden Sie den Linkslauf (gegen den Uhrzeigersinn).

- ◆ Für Rechtslauf schieben Sie den Rechts-/Linkslaufschalter (2) nach links.
- ◆ Für Linkslauf schieben Sie den Rechts-/Linkslaufschalter nach rechts.
- ◆ Um das Gerät zu verriegeln, schieben Sie den Rechts-/Linkslaufschalter in die Mittelstellung.




### Wahl der Betriebsart bzw. des Drehmoments (Abb. H)

Dieses Gerät ist mit einem Drehring zur Einstellung der Betriebsart und zur Einstellung des Drehmoments beim Eindrehen von Schrauben ausgestattet. Große Schrauben und harte Werkstücke erfordern eine höhere Einstellung des Drehmoments als kleine Schrauben und weiche Werkstücke. Der Ring hat einen großen Einstellbereich, um Ihrem Einsatz gerecht zu werden.

- ◆ Zum Bohren in Holz, Metall und Kunststoff drehen Sie den Ring (3) in die Bohrstellung, indem Sie das Symbol  mit der Markierung (16) ausrichten.
- ◆ Zum Schrauben drehen Sie den Ring in die gewünschte Stellung. Falls Sie die richtige Einstellung noch nicht kennen, gehen Sie folgendermaßen vor:
  - Stellen Sie den Ring (3) in die Stellung mit dem geringsten Drehmoment.
  - Ziehen Sie die erste Schraube fest.
  - Falls die Kupplung zu schnell auskuppelt, stellen Sie den Ring auf einen größeren Wert ein und setzen Sie den Schraubvorgang fort. Wiederholen Sie diese Methode, bis Sie den richtigen Wert gefunden haben. Verwenden Sie diesen Wert für die anderen Schrauben.

### Bohren in Mauerwerk (Abb. H & I)

- ◆ Zum Bohren in Mauerwerk drehen Sie den Ring (3) in die Schlagbohrstellung, indem Sie das Symbol  mit der Markierung (16) ausrichten.
- ◆ Schieben Sie den Gang-Umschalter (5) zur Vorderseite des Werkzeugs (2. Gang).

### Gang-Umschalter (Abb. I)

- ◆ Zum Bohren in Stahl und für Schraubeinsätze schieben Sie den Gang-Umschalter (5) zur Hinterseite des Werkzeugs (1. Gang).
- ◆ Zum Bohren in Gegenstände, die nicht aus Stahl bestehen, schieben Sie den Gang-Umschalter (5) zur Vorderseite des Werkzeugs (2. Gang).

### Bohren/Schrauben

- ◆ Wählen Sie mit Hilfe des Rechts-/ Linkslaufschalters (2) Rechts- bzw. Linkslauf.
- ◆ Um das Werkzeug einzuschalten, drücken Sie den Schalter (1). Je tiefer Sie den Schalter drücken, umso höher ist die Drehzahl des Geräts.

- ◆ Um das Werkzeug auszuschalten, lassen Sie den Schalter los.

### Hinweise für optimale Arbeitsergebnisse

#### Bohren

- ◆ Üben Sie immer einen leichten Druck in Richtung der Bohrerspitze aus.
- ◆ Sobald Sie spüren, daß das Werkstück fast durchbohrt ist, reduzieren Sie schrittweise den Druck auf die Bohrerspitze, bis der Bohrvorgang beendet ist.
- ◆ Beim Bohren in Materialien, die leicht splintern oder ausreißen, sollten Sie einen Holzklötzchen hinter Ihr Werkstück legen.
- ◆ Verwenden Sie zum Bohren größerer Löcher in Holz einen Flachbohrer.
- ◆ Verwenden Sie zum Bohren in Metall HSS-Bohrer.
- ◆ Verwenden Sie zum Bohren in weiches Mauerwerk Steinbohrer.
- ◆ Verwenden Sie beim Bohren in andere Metalle als Gußeisen und Messing ein Schmiermittel.
- ◆ Markieren Sie die Bohrstelle mit Hilfe eines Bohrkörners, um ein positionsgenaueres Bohren zu gewährleisten.

#### Schrauben

- ◆ Verwenden Sie immer ein Schraubendreher-Bit des richtigen Typs und in der richtigen Größe.
- ◆ Falls sich Schrauben schwer eindrehen lassen, tragen Sie etwas Spülmittel oder Seife als Schmiermittel an der Schraube auf.
- ◆ Halten Sie das Werkzeug und das Schraubendreher-Bit immer in einer geraden Linie mit der Schraube.

### Wartung

Ihr Black & Decker Gerät wurde im Hinblick auf eine lange Lebensdauer und einen möglichst geringen Wartungsaufwand entwickelt. Ein dauerhafter, einwandfreier Betrieb setzt eine regelmäßige Reinigung voraus.

Ihr Ladegerät bedarf keinerlei Wartung außer einer regelmäßigen Reinigung.

**Achtung!** Bevor Sie irgendwelche Wartungsarbeiten vornehmen, entfernen Sie den Akku vom Akku-Gerät. Ziehen Sie den Netzstecker des Ladegerätes aus der Steckdose, bevor Sie es reinigen.

- ◆ Reinigen Sie regelmäßig die Lüftungsschlitze im Gerät und Ladegerät mit Hilfe einer weichen Bürste oder eines trockenen Tuches.

# DEUTSCH

- ◆ Reinigen Sie regelmäßig das Motorgehäuse mit Hilfe eines feuchten Tuches. Verwenden Sie keine scheuernden Reinigungsmittel oder Reinigungsmittel auf Lösungsmittelbasis.
- ◆ Reinigen Sie regelmäßig das Spannfutter, indem Sie es öffnen und durch leichtes Klopfen Staub aus dem Inneren entfernen.

## Umweltschutz



Getrennte Entsorgung. Dieses Produkt darf nicht über den normalen Hausmüll entsorgt werden.

Sollte Ihr Black & Decker Produkt eines Tages erneuert werden müssen, oder falls Sie es nicht weiter verwenden wollen, so darf es nicht über den Hausmüll entsorgt werden. Stellen Sie dieses Produkt zur getrennten Entsorgung bereit.



Durch die getrennte Entsorgung gebrauchter Produkte und Verpackungen können die Materialien recycelt und wiederverwertet werden. Die Wiederverwertung recycelter Materialien schont die Umwelt und verringert die Nachfrage nach Rohstoffen.

Die regionalen Bestimmungen schreiben unter Umständen die getrennte Entsorgung elektrischer Produkte aus dem Haushalt an Sammelstellen oder seitens des Händlers vor, bei dem Sie das neue Produkt erworben haben.

Black & Decker nimmt Ihre ausgedienten Black & Decker Geräte gern zurück und sorgt für eine umweltfreundliche Entsorgung und Wiederverwertung. Um diesen Dienst zu nutzen, schicken Sie bitte Ihr Produkt zu einer Vertragswerkstatt. Hier wird es dann auf unsere Kosten gesammelt.

Die Adresse der zuständigen Black & Decker Vertretung steht in diesem Handbuch, darüber läßt sich die nächstgelegene Vertragswerkstatt ermitteln. Außerdem ist eine Liste der Vertragswerkstätten und aller Kundendienststellen von Black & Decker sowie der zuständigen Ansprechpartner im Internet zu finden unter: [www.2helpU.com](http://www.2helpU.com)

## Akkus



Black & Decker Akkus lassen sich viele Male wiederaufladen. Entsorgen Sie eine leere Batterie am Ende ihrer Lebensdauer auf umweltgerechte Weise:

- ◆ Entladen Sie die Batterie vollständig, und entfernen Sie sie anschließend aus dem Werkzeug.
- ◆ NiCd-, NiMH- und Li-Ion-Akkus sind wiederverwertbar. Bringen Sie sie zu einer Vertragswerkstatt oder einer Recycling-Station in Ihrer Nähe.

## Technische Daten

		EPC126 (H1)	EPC146 (H1)	EPC186 (H1)
Spannung	$V_{DC}$	12	14,4	18
Leerlaufdrehzahl	$min^{-1}$	0-450/ 0-1.400	0-450/ 0-1.500	0-400/ 0-1.350
Max. Drehmoment	Nm	18	20	25
Spannfutterweite	mm	10	10	10
Max. Bohrkapazität				
Stahl/Holz	mm	10/25	10/25	10/25

Akku	A12/A12E	A14/A14E	A18/A18E
Kapazität	Ah 1,0	1,0	1,0
Akkutyp	NiCd	NiCd	NiCd
Gewicht	kg 0,5	0,6	0,7

Akku	A12NH	A14NH	A18NH
Kapazität	Ah 1,5	1,5	1,5
Akkutyp	NiMH	NiMH	NiMH
Gewicht	kg 0,6	0,7	0,9

## Ladegerät

		90500843	90500844	90500845
		90500847	90500848	90500849
		90500855	90500856	90500857
		90500858	90500859	90500860
Netzspannung	$V_{AC}$	230-240	230-240	230-240
Ausgangsspannung	$V_{DC}$	14,5-15,3	17,4-18,2	21,75-22,6
Amperezahl	mA	210-220	200-210	210-230
Ladezeit (zirka)	h	8-10	8-10	8-10

		EPC128 (H1)	EPC148 (H1)	EPC188 (H1)
Spannung	$V_{DC}$	12	14,4	18
Leerlaufdrehzahl	$min^{-1}$	0-450/ 0-1.400	0-450/ 0-1.500	0-400/ 0-1.350
Max. Drehmoment	Nm	18	22	25
Spannfutterweite	mm	10	10	10
Max. Bohrkapazität				
Stahl/Holz	mm	10/25	10/25	10/25
Mauerwerk	mm	10	10	10

Akku	A12/A12E	A14/A14E	A18/A18E
Kapazität	Ah 1,0	1,0	1,0
Akkutyp	NiCd	NiCd	NiCd
Gewicht	kg 0,5	0,6	0,7

Akku	A12NH	A14NH	A18NH
Kapazität	Ah 1,5	1,5	1,5
Type	NiMH	NiMH	NiMH
Gewicht	kg 0,6	0,7	0,9

Ladegerät				
		90500843	90500844	90500845
		90500847	90500848	90500849
		90500855	90500856	90500857
		90500858	90500859	90500860
Netzspannung	$V_{AC}$	230-240	230-240	230-240
Ausgangsspannung	$V_{DC}$	14,5-15,3	17,4-18,2	21,75-22,6
Amperezahl	mA	210-220	200-210	210-230
Ladezeit (zirka)	h	8-10	8-10	8-10

**Gesamtvibrationswerte (Triax-Vektorsumme) gemäß EN 60745:**

Schlagbohren in Beton ( $a_{h, ID}$ ) 11,4 m/s<sup>2</sup>, Unsicherheitsfaktor (K)  
 1,5 m/s<sup>2</sup>, Bohren in Metall ( $a_{h, D}$ ) <2,5 m/s<sup>2</sup>, Unsicherheitsfaktor (K)  
 1,5 m/s<sup>2</sup>, Schlagloses Schrauben ( $a_{h, S}$ ) <2,5 m/s<sup>2</sup>, Unsicherheitsfaktor  
 (K) 1,5 m/s<sup>2</sup>

**Höhe des Schalldrucks gemäß EN 60745:**

Schalldruck ( $L_{pA}$ ) 87 dB(A), Unsicherheitsfaktor (K) 3 dB(A)  
 Schalleistung ( $L_{WA}$ ) 98 dB(A), Unsicherheitsfaktor (K) 3 dB(A)

**EG-Konformitätserklärung**  
 MASCHINENRICHTLINIE



**EPC126/EPC146/EPC186/EPC148/EPC148/  
 EPC188**

Black & Decker erklärt, daß diese unter  
 „Technische Daten“ beschriebenen Produkte  
 folgende Richtlinien erfüllen: 2006/42/EG,  
 EN 60745-1, EN 60745-2-1.

Wenden Sie sich für weitere Informationen bitte  
 an folgende Black & Decker Anschrift bzw. an die  
 hinten im Handbuch angegebene Anschrift.

Der Unterzeichnete ist für die Zusammenstellung  
 der technischen Datei verantwortlich und gibt diese  
 Erklärung im Namen von Black & Decker ab.

Kevin Hewitt  
 Vice-President  
 Global Engineering  
 Black & Decker Europe  
 210 Bath Road, Slough  
 Berkshire, SL1 3YD  
 Vereinigtes Königreich  
 13/07/2011

**Garantie**

Black & Decker vertraut auf die Qualität  
 der eigenen Geräte und bietet dem Käufer  
 eine außergewöhnliche Garantie. Diese  
 Garantiezusage versteht sich unbeschadet der  
 gesetzlichen Gewährleistungsansprüche und  
 schränkt diese keinesfalls ein. Sie gilt in sämtlichen  
 Mitgliedsstaaten der Europäischen Union und der  
 Europäischen Freihandelszone EFTA.

Tritt innerhalb von 24 Monaten ab Kaufdatum an  
 einem Gerät von Black & Decker ein auf Material-  
 oder Verarbeitungsfehler zurückzuführender  
 Mangel auf, garantiert Black & Decker den  
 Austausch defekter Teile, die Reparatur von  
 Geräten mit üblichem Verschleiß bzw. den  
 Austausch eines mangelhaften Geräts, ohne  
 den Kunden dabei mehr als unbedingt nötig in  
 Anspruch zu nehmen, allerdings vorbehaltlich  
 folgender Ausnahmen:

- ◆ Wenn das Gerät gewerblich, beruflich oder im  
 Verleihgeschäft benutzt wurde.
- ◆ Wenn das Gerät mißbräuchlich verwendet  
 oder mit mangelnder Sorgfalt behandelt wurde.
- ◆ Wenn das Gerät durch irgendwelche  
 Fremdeinwirkung beschädigt wurde.
- ◆ Wenn ein unbefugter Reparaturversuch  
 durch anderes Personal als das einer  
 Vertragswerkstatt oder des Black & Decker-  
 Kundendienstes unternommen wurde.

Zur Inanspruchnahme dieser Garantie ist  
 dem Verkäufer bzw. der Vertragswerkstatt ein  
 Kaufnachweis vorzulegen. Der Kaufnachweis  
 muß Kaufdatum und Gerätetyp bescheinigen.  
 Die Adresse des zuständigen Büros von  
 Black & Decker steht in dieser Anleitung, darüber  
 läßt sich die nächstgelegene Vertragswerkstatt  
 ermitteln. Außerdem ist eine Liste der  
 Vertragswerkstätten und aller Kundendienststellen  
 von Black & Decker sowie der zuständigen  
 Ansprechpartner im Internet zu finden unter:  
**www.2helpU.com.**

Bitte besuchen Sie unsere Webseite  
**www.blackanddecker.de**, um Ihr neues  
 Black & Decker Produkt zu registrieren und über  
 neue Produkte und Sonderangebote aktuell  
 informiert zu werden. Weitere Informationen über  
 die Marke Black & Decker und unsere Produkte  
 finden Sie unter **www.blackanddecker.de**.

## Utilisation prévue

Votre perceuse / tournevis Black & Decker EPC126/EPC146/EPC186 a été conçue pour la pose de vis et pour le perçage du bois, du métal et des matières plastiques.

Votre perceuse / tournevis Black & Decker EPC128/EPC148/EPC188 a été conçue pour la pose de vis et pour le perçage du bois, du métal, des matières plastiques et de la maçonnerie légère. Cet outil a été conçu pour une utilisation exclusivement domestique.

## Instructions de sécurité

### Consignes de sécurité générales pour les outils électriques



**Attention ! Prenez connaissance de tous les avertissements de sécurité et de toutes les instructions.** Le non-respect des avertissements et des instructions indiqués ci-dessous peut entraîner une électrocution, un incendie ou de graves blessures.

**Conservez tous les avertissements et instructions pour référence future.** La notion d'« outil électroportatif » mentionnée par la suite se rapporte à des outils électriques raccordés au secteur (avec câble de raccordement) ou fonctionnant sur piles (sans fil).

#### 1. Sécurité de la zone de travail

- a. **Maintenez la zone de travail propre et bien éclairée.** Un lieu de travail en désordre ou mal éclairé augmente le risque d'accidents.
- b. **N'utilisez pas les outils électroportatifs dans un environnement présentant des risques d'explosion ni en présence de liquides, gaz ou poussières inflammables.** Les outils électroportatifs génèrent des étincelles risquant d'enflammer les poussières ou les vapeurs.
- c. **Tenez les enfants et autres personnes éloignés durant l'utilisation de l'outil électroportatif.** En cas d'inattention, vous risquez de perdre le contrôle sur l'outil.


#### 2. Sécurité électrique

- a. **La fiche de secteur de l'outil électroportatif doit convenir à la prise de courant. Ne modifiez en aucun cas la fiche. N'utilisez pas de fiches d'adaptateur avec des outils ayant une prise de terre.** Les fiches non modifiées et les prises de courant appropriées réduisent le risque d'électrocution.

- b. **Évitez le contact physique avec des surfaces mises à la terre telles que tuyaux, radiateurs, fours et réfrigérateurs.** Il y a un risque élevé d'électrocution si votre corps est relié à la terre.
- c. **N'exposez pas l'outil électroportatif à la pluie ni à l'humidité.** La pénétration d'eau dans un outil électroportatif augmente le risque d'électrocution.
- d. **Préservez le câble d'alimentation. N'utilisez pas le câble à d'autres fins que celles prévues, notamment pour porter l'outil, l'accrocher voire le débrancher de la prise de courant. Maintenez le câble éloigné des sources de chaleur, des parties grasses, des bords tranchants ou des parties de l'outil en rotation.** Un câble endommagé ou enchevêtré augmente le risque d'électrocution.
- e. **Si vous utilisez l'outil électroportatif à l'extérieur, utilisez une rallonge homologuée pour utilisation à l'air libre.** L'utilisation d'une rallonge électrique homologuée pour les applications extérieures réduit le risque d'électrocution.
- f. **Si l'usage d'un outil dans un emplacement humide est inévitable, utilisez une alimentation protégée par un dispositif à courant différentiel résiduel (RCD).** L'usage d'un RCD réduit le risque de choc électrique.

#### 3. Sécurité personnelle

- a. **Restez vigilant, surveillez ce que vous faites. Faites preuve de bon sens quand vous utilisez l'outil électroportatif. N'utilisez pas l'outil lorsque vous êtes fatigué ou après avoir consommé de l'alcool, des drogues voire des médicaments.** Un moment d'inattention lors de l'utilisation de l'outil peut entraîner de graves blessures.
- b. **Utilisez un équipement de protection personnelle. Portez toujours une protection pour les yeux.** Les équipements de protection personnelle tels que les masques anti-poussières, chaussures de sécurité antidérapantes, casques ou protections acoustiques utilisés dans des conditions appropriées réduisent les blessures.
- c. **Évitez toute mise en marche involontaire. Vérifiez que l'interrupteur est en position arrêt avant de brancher l'outil au secteur ou au bloc de batteries, de le prendre ou de le porter.** Transporter les outils en avec le doigt sur l'interrupteur ou les brancher avec l'interrupteur en position de marche est une source d'accidents.

- d. **Enlevez tout outil ou clé de réglage avant de mettre l'outil en marche.** Une clé ou un outil se trouvant sur une partie en rotation peut causer des blessures.
- e. **Adoptez une position confortable. Adoptez une position stable et gardez votre équilibre à tout moment.** Vous contrôlerez mieux l'outil dans des situations inattendues.
- f. **Portez des vêtements appropriés. Ne portez pas de vêtements flottants ou de bijoux. N'approchez pas les cheveux, vêtements ou gants des parties des pièces mobiles.** Les vêtements amples, les bijoux ou les cheveux longs peuvent être attrapés dans les pièces en mouvement.
- g. **Si des dispositifs servant à aspirer ou à recueillir les poussières doivent être utilisés, vérifiez qu'ils sont correctement raccordés et utilisés.** Le fait d'aspirer la poussière permet de réduire les risques inhérents à la poussière.
4. **Utilisation des outils électroportatifs et précautions**
- a. **Ne surchargez pas l'outil. Utilisez l'outil électroportatif approprié pour le travail à effectuer.** Avec l'outil électroportatif approprié, vous travaillerez mieux et avec plus de sécurité à la vitesse pour laquelle il a été conçu.
- b. **N'utilisez pas un outil électroportatif dont l'interrupteur est défectueux.** Un outil électroportatif qui ne peut plus être mis en ou hors fonctionnement est dangereux et doit être réparé.
- c. **Déconnectez la prise de la source d'alimentation ou le pack-batterie de l'outil électrique avant tout réglage, changement d'accessoire voire rangement des outils électriques.** Cette mesure de précaution empêche une mise en marche par mégarde.
- d. **Rangez les outils électroportatifs hors de portée des enfants. Ne laissez pas les personnes n'étant pas familiarisées avec l'outil ou n'ayant pas lu ces instructions l'utiliser.** Les outils électroportatifs sont dangereux lorsqu'ils sont utilisés par des personnes non initiées.
- e. **Prenez soin des outils électroportatifs. Vérifiez que les parties en mouvement fonctionnent correctement et qu'elles ne sont pas coincées; vérifiez qu'il n'y a pas de pièces cassées ou endommagées susceptibles de nuire au bon fonctionnement de l'outil. S'il est endommagé, faites réparer l'outil avant de l'utiliser.** De nombreux accidents sont dus à des outils électroportatifs mal entretenus.
- f. **Maintenez les outils de coupe aiguisés et propres.** Des outils soigneusement entretenus avec des bords tranchants bien aiguisés se coincent moins souvent et peuvent être guidés plus facilement.
- g. **Utilisez l'outil électrique, les accessoires et forets, etc. conformément à ces instructions, en tenant compte des conditions de travail et des tâches à effectuer.** L'utilisation des outils électroportatifs à d'autres fins que celles prévues peut entraîner des situations dangereuses.
5. **Utilisation des outils à batterie et précautions**
- a. **Rechargez la batterie uniquement avec le chargeur spécifié par le fabricant.** Un chargeur prévu pour un type de batterie présente un risque d'incendie s'il est utilisé avec un autre type de batterie.
- b. **Utilisez les outils électroportatifs uniquement avec les batteries spécifiquement conçues pour eux.** L'utilisation d'autres batteries peut comporter un risque de blessures ou d'incendie.
- c. **Quand vous ne l'utilisez pas, rangez la batterie loin d'autres objets métalliques tels que trombones, pièces, clous, vis ou autres pouvant créer une connexion entre deux bornes.** Court-circuiter les bornes du pack-batteries peut provoquer des brûlures ou un incendie.
- d. **Dans des conditions inappropriées, la batterie peut rejeter du liquide. Évitez le contact. Si un contact accidentel se produit, rincez à l'eau. Si le liquide touche les yeux, consultez un médecin.** Le liquide rejeté par la pile peut causer une irritation cutanée ou des brûlures.
6. **Réparations**
- a. **Faites réparer votre outil électroportatif uniquement par du personnel qualifié et seulement avec des pièces de rechange d'origine.** Cela garantira le maintien de la sécurité de votre outil.
- Avertissements de sécurité supplémentaires pour les outils électriques**
-  **Attention !** Avertissements de sécurité supplémentaires pour les perceuses et perceuses à percussion

- ◆ **Portez une protection auditive avec les perceuses à percussion.** L'exposition au bruit peut causer des pertes de l'audition.
- ◆ **Utilisez les poignées additionnelles fournies avec l'outil.** Une perte de contrôle peut provoquer des blessures.
- ◆ **Tenez l'outil uniquement par les surfaces isolées des poignées si l'opération effectuée peut mettre la lame en contact avec des câbles électriques cachés ou son propre cordon électrique.** Le contact de l'accessoire de coupe avec un câble sous tension met les parties métalliques de l'outil sous tension et peut provoquer une électrocution de l'utilisateur.
- ◆ **Utilisez des fixations ou tout autre moyen pratique pour fixer et soutenir la pièce à ouvrir sur une plate-forme stable.** Si vous tenez la pièce à la main ou contre votre corps, elle est instable et vous pouvez en perdre le contrôle.
- ◆ Avant de percer les murs, les planchers ou les plafonds, vérifiez l'emplacement des fils électriques et des tuyaux.
- ◆ Evitez de toucher l'extrémité d'un foret juste après avoir percé car il peut être chaud.
- ◆ Cet outil n'est pas destiné à être utilisé par des personnes (notamment des enfants) présentant des capacités physiques, sensorielles ou mentales limitées voire dépourvues de connaissance et d'expérience, sauf si elles sont supervisées ou ont reçu des instructions pour l'usage de l'appareil par une personne responsable de leur sécurité. Les enfants ne doivent pas jouer avec l'appareil.
- ◆ Le domaine d'utilisation de l'outil est décrit dans le présent manuel. L'utilisation d'accessoires ou la réalisation d'opérations avec cet outil autres que ceux recommandés dans le présent manuel peut entraîner un risque de blessure ou de dégâts.

## Vibration

Les valeurs des émissions de vibrations mentionnées dans les données techniques et la déclaration de conformité ont été mesurées conformément à la méthode de test normalisée indiquée par EN 60745 et permettent les comparaisons entre outils. Les valeurs des émissions de vibrations peuvent également servir à une évaluation préliminaire de l'exposition.

**Attention !** Les valeurs des émissions de vibrations en utilisant réellement l'outil peuvent différer des valeurs déclarées en fonction du mode

d'usage de l'outil. Le niveau de vibration peut dépasser le niveau indiqué.

Pour évaluer l'exposition aux vibrations afin de déterminer les mesures de sécurité imposées par 2002/44/CE pour protéger les personnes utilisant régulièrement des outils électriques, une estimation de l'exposition aux vibrations devrait prendre en compte les conditions réelles et le mode d'utilisation de l'outil, notamment l'ensemble du cycle de fonctionnement ainsi l'arrêt de l'outil et son fonctionnement au ralenti, outre le démarrage.

## Étiquettes apposées sur l'outil

Les pictogrammes suivants sont présents sur l'outil:



**Attention !** Afin de réduire les risques de blessures, l'utilisateur doit lire le manuel d'instructions.

## Instructions de sécurité supplémentaires pour les batteries et chargeurs

### Batteries

- ◆ Ne tentez jamais d'ouvrir pour quelque raison que ce soit.
- ◆ N'exposez pas la batterie à l'humidité.
- ◆ Ne stockez pas dans des endroits où la température peut dépasser 40 °C.
- ◆ Chargez uniquement à température ambiante, entre 10 °C et 40 °C.
- ◆ Chargez uniquement en utilisant le chargeur fourni avec l'outil.
- ◆ Lorsque vous jetez des batteries, suivez les instructions données à la section « Protection de l'environnement ».



Ne chargez pas une batterie endommagée.

### Chargeurs

- ◆ Utilisez uniquement votre chargeur Black & Decker pour charger les batteries fournies avec votre outil ou de même type et modèle. D'autres batteries pourraient exploser et causer des dommages ou blessures.
- ◆ Ne tentez jamais de charger des batteries non rechargeables.
- ◆ Remplacez immédiatement les fils électriques défectueux.
- ◆ Ne mettez pas le chargeur en contact avec de l'eau.
- ◆ N'ouvrez pas le chargeur.
- ◆ Ne testez pas le chargeur.



Le chargeur a été conçu pour être utilisé uniquement à l'intérieur.





Lisez le manuel d'instruction avant utilisation.



Le chargeur est automatiquement mis hors tension si la température ambiante est trop élevée. Le rupteur thermique ne fonctionne qu'une fois. Ensuite, il doit être intégralement remplacé.

### Sécurité électrique



Votre chargeur est doublement isolé; par conséquent, aucun câble de masse n'est nécessaire. Vérifiez toujours que la tension du secteur correspond à la tension indiquée sur la plaque d'identification. Ne tentez jamais de remplacer le chargeur par une prise au secteur normale.

- ◆ Si le câble d'alimentation est endommagé, il doit être remplacé par le fabricant ou par un centre de réparation agréé Black & Decker afin d'éviter tout accident.

### Caractéristiques

Cet outil comprend toutes ou certaines des caractéristiques suivantes.

1. Interrupteur à variateur de vitesse
2. Sélecteur de rotation droite / gauche
3. Sélecteur de mode / bague de réglage du couple
4. Mandrin
5. Sélecteur de vitesse
6. Porte-embout
7. Batterie

### Fig. A

8. Prise de chargeur
9. Chargeur
10. Boîtier du chargeur

### Assemblage

**Attention !** Avant l'assemblage, enlevez la batterie.

### Installation et retrait de la batterie (fig. B & C)

- ◆ Pour mettre la batterie en place (7), alignez-la avec le boîtier sur l'outil. Faites glisser la batterie dans le boîtier et poussez pour l'enclencher.
- ◆ Pour retirer la batterie, appuyez sur le bouton de déverrouillage (11) tout en retirant la batterie du boîtier.

### Montage du cache de batterie (fig. C)

**Attention !** Installez le cache (12) sur la batterie (7) pour la transporter et la ranger.

### Installation et retrait d'un foret de perçage ou de vissage (fig. D)

Cet outil est équipé d'un mandrin sans clef pour vous permettre de changer les accessoires plus rapidement.

- ◆ Verrouillez l'outil en réglant le sélecteur de rotation droite / gauche (2) sur la position centrale.
- ◆ Ouvrez le mandrin en faisant tourner la partie avant (13) d'une main tout en tenant la partie arrière (14) de l'autre main.
- ◆ Insérez la tige du foret (15) dans le mandrin et serrez fermement le mandrin.

Cet outil est livré avec un double embout de vissage dans le support d'embout (6).

- ◆ Pour retirer le double embout de vissage du support d'embout, soulevez l'embout de sa cavité.
- ◆ Pour remettre l'embout en place, poussez-le fermement dans le support.

### Comment enlever et replacer le mandrin (fig. E)

- ◆ Ouvrez le mandrin jusqu'à son ouverture maximum.
- ◆ Enlevez la vis de serrage du mandrin en la faisant tourner dans le sens des aiguilles d'une montre à l'aide d'un tournevis.
- ◆ Serrez une clé Allen dans le mandrin et desserrez-le en donnant un coup de marteau sur la clé Allen comme l'indique le dessin.
- ◆ Enlevez la clé Allen.
- ◆ Enlevez le mandrin en le faisant tourner dans le sens anti-horaire.
- ◆ Pour replacer le mandrin, vissez-le sur l'arbre et serrez-le avec la vis de serrage.

### Risques résiduels.

L'utilisation d'un outil non mentionné dans les consignes de sécurité données peut entraîner des risques résiduels supplémentaires. Ces risques peuvent survenir si l'outil est mal utilisé, si l'utilisation est prolongée, etc.

Malgré l'application des normes de sécurité correspondantes et la présence de dispositifs de sécurité, les risques résiduels suivants ne peuvent être évités. Ceci comprend:

- ◆ **Les blessures dues au contact avec une pièce mobile/en rotation.**
- ◆ **Les blessures causées en changeant des pièces, lames ou accessoires.**

- ◆ **Les blessures dues à l'utilisation prolongée d'un outil. Une utilisation prolongée de l'outil nécessite des pauses régulières.**
- ◆ **Déficience auditive.**
- ◆ **Risques pour la santé causés par l'inhalation de poussières produites pendant l'utilisation de l'outil (exemple: travail avec du bois, surtout le chêne, le hêtre et les panneaux en MDF).**

## Utilisation

**Attention !** Laissez l'outil fonctionner à sa propre vitesse. Ne le surchargez pas.

**Attention !** Avant de percer les murs, les planchers ou les plafonds, vérifiez l'emplacement des fils électriques et des tuyaux.

## Chargement de la batterie (fig. A & F)

La batterie a besoin d'être chargée avant la première utilisation et à chaque fois qu'elle ne produit pas une puissance suffisante pour des travaux facilement effectués auparavant. Lorsque vous chargez la batterie pour la première fois ou suite à une inutilisation prolongée, le chargement ne se fera qu'à 80%. Après plusieurs cycles de chargement et de déchargement, la batterie atteindra sa capacité totale. La batterie peut chauffer pendant le chargement; cela est normal et n'indique pas de problème particulier.

**Attention !** Ne chargez pas la batterie à une température ambiante inférieure à 10 °C ou supérieure à 40 °C. Température de chargement recommandée: environ 24 °C.

## Utilisation du chargeur

- ◆ Pour charger la batterie (7), retirez-la de l'outil et glissez le réceptacle du chargeur (10) sur la batterie.
- ◆ Branchez le chargeur (9).

La batterie chauffe lors du chargement. La batterie sera suffisamment chargée après un délai d'environ 3 heures pour une utilisation normale. La batterie est complètement chargée après un délai d'environ 8-10 heures.

- ◆ Dégagez la batterie du boîtier du chargeur.

## Chargeur avec prise de chargeur

- ◆ Pour charger la batterie, assurez-vous qu'elle est bien installée sur la perceuse.
- ◆ Insérez la prise de chargeur (8) dans le connecteur.
- ◆ Branchez le chargeur.
- ◆ Mettez sous tension.

Après une utilisation normale, la batterie doit être mise en charge pendant environ 3 heures pour pouvoir être utilisée dans la plupart des applications. Toutefois, un temps de charge de 8-10 heures peut accroître considérablement la durée d'utilisation, en fonction de la batterie et des conditions de charge.

- ◆ Débranchez l'outil du chargeur.

**Attention !** Veillez à ne pas utiliser l'outil lorsqu'il est branché au chargeur.

## Sélection du sens de rotation (fig. G)

Pour le perçage et le serrage des vis, utilisez la rotation vers l'avant (dans le sens horaire). Pour desserrer les vis ou enlever un foret de perçage coincé, utilisez la rotation vers l'arrière (dans le sens anti-horaire).

- ◆ Pour sélectionner la rotation vers l'avant, poussez le sélecteur de rotation droite / gauche (2) vers la gauche.
- ◆ Pour sélectionner la rotation vers l'arrière, poussez le sélecteur de rotation droite / gauche vers la droite.
- ◆ Pour verrouiller l'outil, réglez le sélecteur de rotation droite / gauche sur la position centrale.

## Sélection du mode de fonctionnement (fig. H)

Cet outil est muni d'une bague servant à régler le mode de fonctionnement et le couple de serrage des vis. Les grosses vis et les matières d'oeuvre rigides nécessitent un couple de serrage plus grand que les petites vis et les matières d'oeuvre peu rigides. La bague possède une large gamme de réglages de manière à pouvoir répondre à vos besoins.

- ◆ Pour le perçage du bois, du métal et du plastique, placez la bague (3) sur la position de perçage en alignant le symbole 1 avec la marque (16).
- ◆ Pour le vissage, réglez la bague à la position désirée. Si vous ne connaissez pas encore le bon réglage, procédez comme suit:
  - Placez la bague (3) au réglage de couple le plus bas.
  - Serrez la première vis.
  - Si l'embrayage fait « clic » avant d'avoir obtenu le résultat désiré, augmentez le réglage de la bague et continuez à serrer la vis. Répétez jusqu'à obtenir le bon réglage. Utilisez ce réglage pour les vis restantes.



**Perçage de la maçonnerie (fig. H & I)**

- ◆ Pour le perçage de la maçonnerie, réglez la bague (3) sur la position de perçage au marteau en alignant le symbole **T** avec la marque (16).
- ◆ Glissez le sélecteur de vitesse (5) vers l'avant de l'outil (deuxième vitesse).

**Sélecteur de vitesse (fig. I)**

- ◆ Pour le perçage de l'acier et la pose de vis, glissez le sélecteur de vitesse (5) vers l'arrière de l'outil (première vitesse).
- ◆ Pour le perçage de matières autres que l'acier, glissez le sélecteur de vitesse (5) vers l'avant de l'outil (deuxième vitesse).

**Perçage / vissage**

- ◆ Sélectionnez la rotation vers la droite ou la gauche à l'aide du sélecteur de rotation droite / gauche (2).
- ◆ Pour mettre l'outil en marche, appuyez sur l'interrupteur (1). La vitesse de l'outil dépend de la force que vous exercez sur l'interrupteur.
- ◆ Relâchez l'interrupteur pour mettre l'outil hors fonction.

**Conseils pour une utilisation optimale****Perçage**

- ◆ Appliquez toujours une pression légère et rectiligne avec le foret de perçage.
- ◆ Juste avant que le foret de perçage ne passe de l'autre côté de la pièce, diminuez la pression sur l'outil.
- ◆ Utilisez un bloc de bois pour protéger les pièces pouvant se briser.
- ◆ Utilisez des mèches à bois lorsque vous percez des trous d'un large diamètre dans du bois.
- ◆ Utilisez des forets de perçage HSS lorsque vous percez du métal.
- ◆ Utilisez des forets de maçonnerie lorsque vous percez des pièces de maçonnerie légères.
- ◆ Utilisez un lubrifiant lorsque vous percez des métaux autres que la fonte et le laiton.
- ◆ Faites une entaille à l'aide d'une contrepointe de centrage au centre de l'orifice à percer afin d'améliorer la précision

**Vissage**

- ◆ Utilisez toujours le bon type et la bonne taille d'embout de tournevis.
- ◆ Si les vis sont difficiles à serrer, essayez d'appliquer un petit peu de liquide vaisselle ou de savon comme lubrifiant.

- ◆ Tenez toujours l'outil et l'embout de tournevis en ligne droite par rapport à la vis.

**Entretien**

Votre outil Black & Decker a été conçu pour fonctionner pendant longtemps avec un minimum d'entretien. Un fonctionnement continu satisfaisant dépend d'un nettoyage régulier et d'un entretien approprié de l'outil.

Votre chargeur ne nécessite aucun entretien autre qu'un nettoyage régulier.

**Attention !** Avant de procéder à tout entretien de l'outil, retirez la batterie. Débranchez le chargeur avant de le nettoyer.

- ◆ Nettoyez régulièrement les orifices de ventilation de votre outil et le chargeur à l'aide d'une brosse douce ou d'un chiffon sec.
- ◆ Nettoyez régulièrement le carter du moteur à l'aide d'un chiffon humide. N'utilisez pas de produit abrasif ou à base de solvant.
- ◆ Ouvrez régulièrement le mandrin et tapotez dessus pour retirer toute poussière à l'intérieur.

**Protection de l'environnement**

Collecte séparée. Ce produit ne doit pas être jeté avec les déchets domestiques normaux.

Si vous décidez de remplacer ce produit Black & Decker, ou si vous n'en avez plus l'utilité, ne le jetez pas avec vos déchets domestiques. Rendez-le disponible pour une collecte séparée.



La collecte séparée des produits et emballages usés permet le recyclage des articles afin de les utiliser à nouveau. Le fait d'utiliser à nouveau des produits recyclés permet d'éviter la pollution environnementale et de réduire la demande de matières premières.

Les réglementations locales peuvent permettre la collecte séparée des produits électriques du foyer, dans des déchetteries municipales ou auprès du revendeur vous ayant vendu votre nouveau produit.

Black & Decker fournit un dispositif permettant de collecter et de recycler les produits Black & Decker lorsqu'ils ont atteint la fin de leur cycle de vie. Pour pouvoir profiter de ce service, veuillez retourner votre produit à un réparateur agréé qui se chargera de le collecter pour nous.

## FRANÇAIS

Pour connaître l'adresse du réparateur agréé le plus proche de chez vous, contactez le bureau Black & Decker à l'adresse indiquée dans ce manuel. Vous pourrez aussi trouver une liste des réparateurs agréés de Black & Decker et de plus amples détails sur notre service après-vente sur le site Internet à l'adresse suivante:

[www.2helpU.com](http://www.2helpU.com)

### Packs-batteries



Les batteries Black & Decker peuvent être rechargées de nombreuses fois. A la fin de leur durée de vie technique, jetez les batteries en respectant l'environnement:

- ◆ Videz complètement la batterie, puis retirez-la de l'outil.
- ◆ Les batteries NiCd, NiMH et Li-Ion sont recyclables. Apportez-les à votre réparateur agréé ou à un centre de recyclage local.

### Caractéristiques techniques

		EPC126 (H1)	EPC146 (H1)	EPC186 (H1)
Voltage	$V_{DC}$	12	14,4	18
Vitesse à vide	$min^{-1}$	0-450/ 0-1 400	0-450/ 0-1 500	0-400/ 0-1 350
Couple max.	Nm	18	20	25
Capacité du mandrin	mm	10	10	10
Capacité max. de perçage				
acier/bois	mm	10/25	10/25	10/25

Batterie	A12/A12E	A14/A14E	A18/A18E
Ampérage	Ah 1,0	1,0	1,0
Type de batterie	NiCd	NiCd	NiCd
Poids	kg 0,5	0,6	0,7

Batterie	A12NH	A14NH	A18NH
Ampérage	Ah 1,5	1,5	1,5
Type de batterie	NiMH	NiMH	NiMH
Poids	kg 0,6	0,7	0,9

### Chargeur

		90500843	90500844	90500845
		90500847	90500848	90500849
		90500855	90500856	90500857
		90500858	90500859	90500860
Tension secteur	$V_{AC}$	230-240	230-240	230-240
Tension de sortie	$V_{DC}$	14,5-15,3	17,4-18,2	21,75-22,6
Ampérage	mA	210-220	200-210	210-230
Temps de chargement				
approx	h	8-10	8-10	8-10

		EPC128 (H1)	EPC148 (H1)	EPC188 (H1)
Voltage	$V_{DC}$	12	14,4	18
Vitesse à vide	$min^{-1}$	0-450/ 0-1 400	0-450/ 0-1 500	0-400/ 0-1 350
Couple max.	Nm	18	22	25
Capacité du mandrin	mm	10	10	10
Capacité max. de perçage				
acier/bois	mm	10/25	10/25	10/25
maçonnerie	mm	10	10	10

Batterie	A12/A12E	A14/A14E	A18/A18E
Ampérage	Ah 1,0	1,0	1,0
Type de batterie	NiCd	NiCd	NiCd
Poids	kg 0,5	0,6	0,7

Batterie	A12NH	A14NH	A18NH
Ampérage	Ah 1,5	1,5	1,5
Type de batterie	NiMH	NiMH	NiMH
Poids	kg 0,6	0,7	0,9

### Chargeur

		90500843	90500844	90500845
		90500847	90500848	90500849
		90500855	90500856	90500857
		90500858	90500859	90500860
Tension secteur	$V_{AC}$	230-240	230-240	230-240
Tension de sortie	$V_{DC}$	14,5-15,3	17,4-18,2	21,75-22,6
Ampérage	mA	210-220	200-210	210-230
Temps de chargement				
approx	h	8-10	8-10	8-10

### Niveau de la pression sonore selon la norme EN 60745:

Pression acoustique ( $L_{pA}$ ) 87 dB(A), incertitude (K) 3 dB(A)  
Puissance acoustique ( $L_{WA}$ ) 98 dB(A), incertitude (K) 3 dB(A)

### Valeurs totales de vibration (somme vectorielle triax) selon EN 60745:

Perçage à percussion dans le béton ( $a_{h,10}$ ) 11,4  $m/s^2$ , incertitude (K) 1,5  $m/s^2$ , Perçage dans le métal ( $a_{h,10}$ ) <2,5  $m/s^2$ , incertitude (K) 1,5  $m/s^2$ , Vissage sans percussion ( $a_{h,s}$ ) <2,5  $m/s^2$ , incertitude (K) 1,5  $m/s^2$

## Déclaration de conformité CE

DIRECTIVE MACHINES



**EPC126/EPC146/EPC186/EPC148/EPC148/  
EPC188**

Black & Decker déclare que ces produits décrits sous les « caractéristiques techniques » sont conformes avec: 2006/42/CE, EN 60745-1, EN 60745-2-1.

Pour en savoir plus, veuillez contacter Black & Decker à l'adresse suivante ou consultez le dos du manuel.

Le soussigné est responsable de la compilation du fichier technique et effectue cette déclaration au nom de Black & Decker.

Kevin Hewitt  
Vice-président  
Ingénierie globale  
Black & Decker Europe  
210 Bath Road, Slough  
Berkshire, SL1 3YD  
Royaume Uni  
13/07/2011

- ◆ Des réparations ont été tentées par des techniciens ne faisant pas partie du service technique de Black & Decker.

Pour avoir recours à la garantie, il est nécessaire de fournir une preuve d'achat au vendeur ou à un réparateur agréé. Pour connaître l'adresse du réparateur agréé le plus proche de chez vous, contactez le bureau Black & Decker à l'adresse indiquée dans ce manuel. Vous pourrez aussi trouver une liste des réparateurs agréés de Black & Decker et de plus amples détails sur notre service après-vente sur le site Internet à l'adresse suivante: **www.2helpU.com**.

Visitez notre site Web **www.blackanddecker.fr** pour enregistrer votre nouveau produit Black & Decker et être informé des nouveaux produits et des offres spéciales. Pour plus d'informations concernant la marque Black & Decker et notre gamme de produits, consultez notre site **www.blackanddecker.fr**.

## Garantie

Black & Decker est confiant dans la qualité de ses produits et vous offre une garantie très étendue. Ce certificat de garantie est un document supplémentaire et ne peut en aucun cas se substituer à vos droits légaux. La garantie est valable sur tout le territoire des Etats Membres de l'Union Européenne et de la Zone de Libre Echange Européenne.

Si un produit Black & Decker s'avère défectueux en raison de matériaux en mauvaises conditions, d'une erreur humaine, ou d'un manque de conformité dans les 24 mois suivant la date d'achat, Black & Decker garantit le remplacement des pièces défectueuses, la réparation des produits usés ou cassés ou remplace ces produits à la convenance du client, sauf dans les circonstances suivantes:

- ◆ Le produit a été utilisé dans un but commercial, professionnel, ou a été loué.
- ◆ Le produit a été mal utilisé ou avec négligence.
- ◆ Le produit a subi des dommages à cause d'objets étrangers, de substances ou à cause d'accidents.

## Použití výrobku

Vaše akumulátorová vrtačka/šroubovák Black & Decker EPC126/EPC146/EPC186 je určena pro šroubování a vrtání do dřeva, kovu a plastů.

Vaše příklepová vrtačka/šroubovák Black & Decker EPC128/EPC148/EPC188 je určena pro šroubování a vrtání do dřeva, kovu, plastů a měkkého zdiva. Toto nářadí je určeno pouze pro spotřebitelské použití.

## Bezpečnostní pokyny

### Všeobecné bezpečnostní pokyny pro práci s elektrickým nářadím



**Varování! Přečtete si všechny bezpečnostní pokyny a bezpečnostní výstrahy.** Nedodržení níže uvedených pokynů může mít za následek úraz elektrickým proudem, vznik požáru nebo vážné poranění.

**Veškerá bezpečnostní varování a pokyny uschovejte pro případné další použití.** Termín „elektrické nářadí“ ve všech upozorněních odkazuje na vaše nářadí napájené ze sítě (je opatřeno napájecím kabelem) nebo nářadí napájené baterií (bez napájecího kabelu).

#### 1. Bezpečnost v pracovním prostoru

- a. **Pracovní prostor udržujte čistý a dobře osvětlený.** Přeplněný a neosvětlený pracovní prostor může vést k způsobení úrazů.
- b. **Nepracujte s elektrickým nářadím ve výbušném prostředí, jako jsou například prostory s výskytem hořlavých kapalin, plynů nebo prašných látek.** V elektrickém nářadí dochází k jiskření, které může způsobit vznícení hořlavého prachu nebo výparů.
- c. **Při práci s elektrickým nářadím zajistěte bezpečnou vzdálenost dětí a ostatních osob.** Rozptylování může způsobit ztrátu kontroly nad nářadím.

#### 2. Elektrická bezpečnost

- a. **Zástrčka napájecího kabelu nářadí musí odpovídat zásuvce. Zástrčku nikdy žádným způsobem neupravujte. Nepoužívejte u uzemněného elektrického nářadí žádné upravené zástrčky.** Neupravené zástrčky a odpovídající zásuvky snižují riziko vzniku úrazu elektrickým proudem.
- b. **Nedotýkejte se uzemněných povrchů, jako jsou například potrubí, radiátory, elektrické sporáky a chladničky.** Při uzemnění vašeho

těla vzrůstá riziko úrazu elektrickým proudem.

- c. **Nevystavujte elektrické nářadí dešti nebo vlhkému prostředí.** Vnikne-li do elektrického nářadí voda, zvýší se riziko úrazu elektrickým proudem.
  - d. **S napájecím kabelem zacházejte opatrně. Nikdy nepoužívejte napájecí kabel k přenášení nebo posouvání nářadí a netahejte za něj, chcete-li nářadí odpojit od elektrické sítě. Zabraňte kontaktu kabelu s mastnými, horkými a ostrými předměty nebo pohyblivými částmi.** Poškozený nebo zauzlený napájecí kabel zvyšuje riziko úrazu elektrickým proudem.
  - e. **Při práci s nářadím venku použijte prodlužovací kabely určené pro venkovní použití.** Použití kabelu pro venkovní použití snižuje riziko úrazu elektrickým proudem.
  - f. **Při práci s elektrickým nářadím ve vlhkém prostředí musí být v napájecím okruhu použit proudový chránič (RCD).** Použití proudového chrániče (RCD) snižuje riziko úrazu elektrickým proudem.
- #### 3. Bezpečnost obsluhy
- a. **Zůstaňte stále pozorní, sledujte, co provádíte a při práci s elektrickým nářadím pracujte s rozvahou. Nepoužívejte elektrické nářadí, jste-li unaveni nebo jste-li pod vlivem drog, alkoholu nebo léků.** Chvilka nepozornosti při práci s elektrickým nářadím může vést k vážnému úrazu.
  - b. **Používejte prvky osobní ochrany. Vždy používejte ochranu zraku.** Ochranné prostředky jako respirátor, nekouzavá pracovní obuv, přilba a chrániče sluchu, používané v příslušných podmínkách, snižují riziko poranění osob.
  - c. **Zabraňte náhodnému spuštění. Před připojením zdroje napětí nebo před vložením baterie a před zvednutím nebo přenášením nářadí zkontrolujte, zda je vypnutý hlavní spínač.** Přenášení elektrického nářadí s prstem na hlavním spínači nebo připojení napájecího kabelu k elektrické síti, je-li hlavní spínač nářadí v poloze zapnuto, může způsobit úraz.
  - d. **Před spuštěním nářadí se vždy ujistěte, zda nejsou v jeho blízkosti klíče nebo seřizovací přípravky.** Seřizovací klíče ponechané na nářadí mohou být zachyceny rotujícími částmi nářadí a mohou způsobit úraz.
  - e. **Nepřekázejte sami sobě. Při práci vždy udržujte vhodný a pevný postoj.** Tak je umožněna lepší ovladatelnost nářadí

- v neočekávaných situacích.
- f. **Vhodně se oblékejte. Nenoste volný oděv nebo šperky. Dbejte na to, aby se vaše vlasy, oděv a rukavice nedostaly do kontaktu s pohyblivými částmi.** Volný oděv, šperky nebo dlouhé vlasy mohou být pohyblivými díly zachyceny.
  - g. **Jsou-li zařízení vybavena adaptérem pro připojení zařízení k zachytávání prachu, zajistěte jeho správné připojení a řádnou funkci.** Použití těchto zařízení může snížit nebezpečí týkající se prachu.
4. **Použití elektrického nářadí a jeho údržba**
    - a. **Nepřetěžujte elektrické nářadí. Používejte správný typ nářadí pro prováděnou práci.** Při použití správného typu nářadí bude práce provedena lépe a bezpečněji.
    - b. **Pokud nelze hlavní spínač nářadí zapnout a vypnout, s nářadím nepracujte.** Každé elektrické nářadí s nefunkčním hlavním spínačem je nebezpečné a musí být opraveno.
    - c. **Před seřizováním nářadí, před výměnou příslušenství nebo pokud nářadí nepoužíváte, odpojte zástrčku napájecího kabelu od zásuvky nebo z nářadí vyjměte baterii.** Tato preventivní bezpečnostní opatření snižují riziko náhodného spuštění nářadí.
    - d. **Uložte elektrické nářadí mimo dosah dětí a nedovolte ostatním osobám, které toto nářadí neumí ovládat nebo které neznají tyto bezpečnostní pokyny, aby s tímto elektrickým nářadím pracovaly.** Elektrické nářadí je v rukou nekvalifikované obsluhy nebezpečné.
    - e. **Provádějte údržbu elektrického nářadí. Zkontrolujte vychýlení nebo zablokování pohyblivých částí, poškození jednotlivých dílů a jiné okolnosti, které mohou ovlivnit chod nářadí. Je-li nářadí poškozeno, nechejte jej před použitím opravit.** Mnoho nehod bývá způsobeno zanedbanou údržbou nářadí.
    - f. **Řezné nástroje udržujte ostré a čisté.** Řádně udržované řezné nástroje s ostrými řeznými břity jsou méně náchylné k zanášení nečistotami a lépe se ovládají.
    - g. **Používejte elektrické nářadí, příslušenství a držáky nástrojů podle těchto pokynů a berte v úvahu provozní podmínky a práci, která bude prováděna.** Použití elektrického nářadí k jiným účelům, než k jakým je určeno, může být nebezpečné.

5. **Použití akumulátorového nářadí a jeho údržba**
  - a. **Nabíjejte pouze v nabíječce určené výrobcem.** Nabíječka určená pro určitý druh baterie může být nebezpečná při nabíjení jiného typu baterie.
  - b. **Používejte elektrické nářadí výhradně s bateriemi, které jsou určeny pro daný typ nářadí.** Použití jiných typů baterií může způsobit vznik požáru nebo zranění.
  - c. **Není-li baterie používána, uložte ji mimo dosah kovových předmětů, jako jsou kancelářské sponky na papír, mince, klíče, hřebíky, šroubky nebo další drobné kovové předměty, které mohou způsobit zkratování kontaktů baterie.** Zkratování kontaktů baterie může vést k vzniku spálenin nebo požáru.
  - d. **V nevhodných podmínkách může z baterie unikat kapalina. Vyvarujte se kontaktu s touto kapalinou. Pokud se kapalinou náhodně potřísníte, zasažené místo omyjte vodou. Dostane-li se kapalina očí, zasažené místo omyjte a vyhledejte lékařskou pomoc.** Unikající kapalina z baterie může způsobit podráždění pokožky nebo popáleniny.
6. **Opavy**
  - a. **Svěřte opravu vašeho elektrického nářadí pouze osobě s příslušnou kvalifikací, která bude používat výhradně originální náhradní díly.** Tím zajistíte bezpečný provoz nářadí.

#### Doplňkové bezpečnostní pokyny pro práci s elektrickým nářadím



**Varování!** Doplňkové bezpečnostní pokyny pro vrtačky a přikleповé vrtačky

- ♦ **Při vrtání s přiklepem použijte vhodnou ochranu sluchu.** Nadměrná hlučnost může způsobit ztrátu sluchu.
- ♦ **Používejte přidavné rukojeti dodávané s nářadím.** Ztráta kontroly nad nářadím může vést k úrazu.
- ♦ **Při pracovních operacích, u kterých by mohlo dojít ke kontaktu se skrytými vodiči nebo s vlastním napájecím kabelem, držte elektrické nářadí vždy za izolované rukojeti.** Při kontaktu pracovního nástroje s „živým“ vodičem způsobí neizolované kovové části nářadí obsluhu úraz elektrickým proudem.
- ♦ **Při pracovních operacích, u kterých by mohlo dojít ke kontaktu se skrytými vodiči, držte elektrické nářadí vždy za izolované části.** Montážní prvky, které se dostanou

do kontaktu s „živým“ vodičem, způsobí, že neizolované kovové části elektrického nářadí budou také „živé“, což může obsluze způsobit úraz elektrickým proudem.

- ◆ **Pro zajištění a upnutí obrobku k pracovnímu stolu používejte svorky nebo jiné vhodné prostředky.** Držení obrobku rukou nebo opření obrobku o část těla nezajistí jeho stabilitu a může vést k ztrátě kontroly.
- ◆ Před vrtním do zdí, podlah nebo stropů zjistěte polohu elektrických vedení a potrubí.
- ◆ Ihned po ukončení vrtní se nedotýkejte vrtáku, protože může být horký.
- ◆ Toto nářadí není určeno k použití osobami (včetně dětí) se sníženými fyzickými, smyslovými nebo duševními schopnostmi, nebo s nedostatkem zkušeností a znalostí, pokud těmto osobám nebyl stanoven dohled, nebo pokud jim nebyly poskytnuty instrukce týkající se použití tohoto výrobku osobou odpovědnou za jejich bezpečnost. Děti by měly být pod dozorem, aby si s nářadím nehrály.
- ◆ Určené použití tohoto výrobku je popsáno v tomto návodu. Použití jiného příslušenství nebo přídavného zařízení a provádění jiných pracovních operací s tímto nářadím, než je doporučeno tímto návodem, může způsobit poranění obsluhy nebo poškození zařízení.

## Vibrace

Deklarovaná úroveň vibrací uvedená v technických údajích a v prohlášení o shodě byla měřena v souladu se standardní zkušební metodou předepsanou normou EN 60745 a může být použita pro srovnání jednotlivých nářadí mezi sebou. Deklarovaná úroveň vibrací může být také použita k předběžnému stanovení doby práce s tímto nářadím.

**Varování!** Úroveň vibrací při aktuálním použití elektrického nářadí se může od deklarované úrovně vibrací lišit v závislosti na způsobu použití nářadí. Úroveň vibrací může být vzhledem k uvedené hodnotě vyšší.

Při stanovení doby působení vibrací, z důvodu určení bezpečnostních opatření podle normy 2002/44/EC k ochraně osob pravidelně používajících elektrické nářadí v zaměstnání, by měl předběžný odhad působení vibrací brát na zřetel aktuální podmínky použití nářadí s přihlédnutím na všechny části pracovního cyklu, jako jsou doby, při které je nářadí vypnuto a kdy běží naprázdno.

## Štítky na nářadí

Na nářadí jsou následující piktogramy:



**Varování!** Z důvodu snížení rizika způsobení úrazu si uživatel musí přečíst tento návod k obsluze.

## Další bezpečnostní pokyny pro baterie a nabíječky

### Baterie

- ◆ Nikdy se nepokoušejte narušit obal baterie.
- ◆ Zabraňte kontaktu baterií s vodou.
- ◆ Neskladujte baterie na místech, kde může teplota přesáhnout 40 °C.
- ◆ Nabíjejte baterie pouze při teplotách v rozsahu od 10 do 40 °C.
- ◆ Nabíjení provádějte pouze nabíječkou dodanou s nářadím.
- ◆ Při likvidaci baterií se řiďte pokyny uvedenými v části „Ochrana životního prostředí“.



Nepokoušejte se nabíjet poškozené baterie.

### Nabíječky

- ◆ Používejte nabíječku Black & Decker pouze k nabíjení baterie, která byla dodána s nářadím. Ostatní baterie mohou prasknout, způsobit poranění nebo jiné škody.
- ◆ Nikdy se nepokoušejte nabíjet baterie, které nejsou k nabíjení určeny.
- ◆ Poškozené kabely ihned vyměňte.
- ◆ Zabraňte kontaktu nabíječky s vodou.
- ◆ Nesnažte se vniknout pod kryt nabíječky.
- ◆ Nepokoušejte se nabíječku zkoumat.



Tato nabíječka není určena pro venkovní použití.



Před použitím si pečlivě přečtete tento návod.



Je-li okolní teplota příliš vysoká, nabíječka se automaticky vypne. Tepelná pojistka proti přetížení je účinná pouze jednou a potom musí být vyměněna.

## Elektrická bezpečnost



Tato nabíječka je opatřena dvojitou izolací. Proto není nutné použití uzemňovacího vodiče. Vždy zkontrolujte, zda napětí v elektrické síti odpovídá napětí, které je uvedeno na výkonovém štítku. Nikdy se nepokoušejte nahradit nabíječku přímým připojením k zásuvce elektrického proudu.



- ♦ Je-li poškozen napájecí kabel, musí být vyměněn výrobcem nebo v autorizovaném servisu Black & Decker, aby bylo zabráněno možným rizikům.

### Popis

Toto nářadí se skládá z některých nebo ze všech následujících částí.

1. Spínač s plynulou regulací otáček
2. Přepínač chodu vpřed/vzad
3. Volič režimu / objímka pro nastavení utahovacího momentu
4. Sklíčidlo
5. Volič otáček
6. Držák nástrojů
7. Baterie

### Obr. A

8. Kolíkový konektor nabíječky
9. Nabíječka
10. Úložný prostor pro baterie

### Sestavení

**Varování!** Před sestavím vyjměte z nářadí baterii.

#### Nasazení a vyjmutí baterie (obr. B a C)

- ♦ Chcete-li baterii (7) nasadit, srovnějte ji s místem jejího uložení na nářadí. Zasuňte baterii do nářadí a zatlačte na ni tak, aby došlo k jejímu řádnému usazení.
- ♦ Chcete-li baterii vyjmout, stiskněte uvolňovací tlačítko (11) a současně vysunujte baterii z nářadí.

#### Upevnění krytu baterie (obr. C)

**Varování!** Při přepravě a skladování upevněte na baterii (7) kryt (12).

#### Upnutí a vyjmutí vrtáku nebo šroubovacího nástavce (obr. D)

Toto nářadí je vybaveno rychloupínacím sklíčidlem, které usnadňuje výměnu nástrojů.

- ♦ Chcete-li nářadí zablokovat, nastavte přepínač pro chod vpřed/vzad do středové polohy (2).
- ♦ Při otevírání sklíčidla jednou rukou otáčejte jeho přední částí (13) a druhou rukou přidržujte jeho zadní část (14).
- ♦ Zasuňte do sklíčidla upínací stopku nástroje (15) a sklíčidlo pevně dotáhněte.

Toto nářadí je dodáváno s oboustranným šroubovacím nástavcem, který je umístěn v držáku nástrojů (6).

- ♦ Šroubovací nástavec vyjměte z držáku nástrojů vysunutím.
- ♦ Šroubovací nástavec uložte do držáku řádným zatlačením.

### Sejmutí a nasazení sklíčidla (obr. E)

- ♦ Co nejvíce rozevřete čelisti sklíčidla.
- ♦ Pomocí šroubováku vyšroubujte ve směru pohybu hodinových ručiček zajišťovací šroub sklíčidla.
- ♦ Upněte do sklíčidla šestihranný klíč a udeřte do něj kladivem jako na uvedeném obrázku.
- ♦ Vyjměte šestihranný klíč ze sklíčidla.
- ♦ Vyšroubujte sklíčidlo otáčením proti směru pohybu hodinových ručiček.
- ♦ Chcete-li sklíčidlo nasadit zpět, našroubujte jej na hřídel a zajistěte jej zajišťovacím šroubem.

### Zbytková rizika.

Je-li nářadí používáno jiným způsobem, než je uvedeno v příložených bezpečnostních varováních, mohou se objevit dodatečná zbytková rizika. Tato rizika mohou vzniknout v důsledku nesprávného použití, dlouhodobého použití atd.

Přestože jsou dodržovány příslušné bezpečnostní předpisy a jsou používána bezpečnostní zařízení, určitá zbytková rizika nemohou být vyloučena. Tato rizika jsou následující:

- ♦ **Zranění způsobená kontaktem s jakoukoli rotující nebo pohybující se částí.**
- ♦ **Zranění způsobená při výměně dílů, pracovního nástroje nebo příslušenství.**
- ♦ **Zranění způsobená dlouhodobým použitím nářadí. Používáte-li jakékoli nářadí delší dobu, zajistěte, aby byly prováděny pravidelné přestávky.**
- ♦ **Poškození sluchu.**
- ♦ **Zdravotní rizika způsobená vdechováním prachu vytvářeného při použití nářadí (příklad: - práce se dřevem, zejména s dubovým, bukovým a MDF).**

### Použití

**Varování!** Nechejte nářadí pracovat jeho vlastním tempem. Zamezte přetěžování nářadí.

**Varování!** Před vrtáním do zdí, podlah nebo stropů zjistěte polohu elektrických vedení a vodovodních, plynových nebo jiných potrubí.

#### Nabíjení baterie (obr. A a F)

Baterie musí být nabita před prvním použitím a vždy, když dojde k výraznému poklesu jejího výkonu. Nabíjíte-li baterii poprvé nebo po dlouhodobém uskladnění, dojde k jejímu nabití zhruba na 80 % celkové kapacity. Baterie dosáhne plné kapacity až po několika cyklech nabití a vybití. Baterie se může během nabíjení zahřívát. Jedná se o normální stav, který neznamená žádný problém.

**Varování!** Nenabíjejte baterii, klesne-li okolní teplota pod 10 °C nebo přesáhne-li 40 °C. Doporučená teplota prostředí pro nabíjení: přibližně 24 °C.

## Použití nabíječky

- ◆ Chcete-li nabít baterii (7), vyjměte ji z nářadí a nasuňte lůžko nabíječky (10) na baterii.
- ◆ Připojte nabíječku (9) k síti.

Při nabíjení dochází k zahřívání baterie. Přibližně po 3 hodinách nabíjení bude baterie dostatečně nabitá pro běžné použití. Přibližně po 8 až 10 hodinách nabíjení bude baterie zcela nabitá.

- ◆ Sejměte lůžko nabíječky z baterie.

## Nabíječka s kolíkovým konektorem

- ◆ Chcete-li baterii nabít, zkontrolujte, zda je řádně nasazena na vrtáče.
- ◆ Zasuňte kolíkový konektor (8) do zdířky.
- ◆ Připojte nabíječku k síti.
- ◆ Proveďte zapnutí.

Po normálním použití poskytnete nabíjecí dobu v trvání 3 hodin dostatečný výkon pro většinu aplikací. Ovšem delší nabíjení v trvání až 6 hodin by mohlo značně prodloužit provozní dobu nářadí, v závislosti na baterii a provozních podmínkách.

- ◆ Odpojte nářadí od nabíječky.

**Varování!** Nepoužívejte nářadí, které je připojeno k nabíječce.

## Volba směru otáčení (obr. G)

Při vrtání a utahování šroubů používejte otáčení směrem dopředu (ve směru pohybu hodinových ručiček). Pro povolování šroubů a uvolňování zablokovaných vrtáků používejte chod vzad (proti směru pohybu hodinových ručiček).

- ◆ Chcete-li zvolit chod vpřed, zatlačte přepínač pro chod vpřed/vzad (2) doleva.
- ◆ Chcete-li zvolit chod vzad, zatlačte přepínač pro chod vpřed/vzad doprava.
- ◆ Chcete-li nářadí zablokovat, nastavte přepínač pro chod vpřed/vzad do středové polohy.

## Volba pracovního režimu nebo utahovacího momentu (obr. H)

Toto nářadí je vybaveno objímkou pro volbu pracovního režimu a pro nastavení momentu při utahování šroubů. Šrouby velkých rozměrů a obrobky z tvrdých materiálů vyžadují nastavení vyšší hodnoty momentu než malé šrouby a měkké materiály. Objímka poskytuje široké rozpětí hodnot momentu podle vašich potřeb.

- ◆ Pro vrtání do dřeva, kovu a plastů nastavte objímku (3) do polohy pro vrtání srovnáním symbolu **T** se značkou (16).

- ◆ Při šroubování nastavte objímku na požadovanou hodnotu momentu. Neznáte-li ještě vhodné nastavení, postupujte následovně:
  - Nastavte objímku (3) na nejmenší hodnotu momentu.
  - Utáhněte první šroub.
  - Začne-li spojka před dosažením požadovaného výsledku prokluzovat, zvětšete hodnotu momentu nastavením objímky do další polohy a pokračujte v utahování šroubu. Opakujte tento postup, dokud nedosáhnete požadovaného nastavení. Použijte toto nastavení i pro dotažení zbývajících šroubů.

## Vrtání do zdiva (obr. H a I)

- ◆ Chcete-li vrtat do zdiva, nastavte objímku (3) do polohy pro vrtání s přilepením srovnáním symbolu **T** se značkou (16).
- ◆ Nastavte volič otáček (5) směrem k přední části nářadí (2. převodový stupeň).

## Volič otáček (obr. I)

- ◆ Pro vrtání do oceli a pro šroubování nastavte volič otáček (5) směrem k zadní části nářadí (1. převodový stupeň).
- ◆ Pro vrtání do jiných materiálů než je ocel nastavte volič otáček (5) směrem k přední části nářadí (2. převodový stupeň).

## Vrtání/šroubování

- ◆ Pomocí přepínače pro chod vpřed/vzad (2) zvolte směr otáčení vpřed nebo vzad.
- ◆ Chcete-li nářadí zapnout, stiskněte spínač (1). Otáčky nářadí závisí na intenzitě stisknutí tohoto spínače.
- ◆ Chcete-li nářadí vypnout, uvolněte spínač.

## Rady pro optimální použití

### Vrtání

- ◆ Vždy vyvíjejte mírný tlak v ose vrtáku.
- ◆ Těsně před proniknutím špičky vrtáku druhou stranou obrobku zmenšete tlak vyvíjený na nářadí.
- ◆ Aby při průniku vrtáku nedocházelo k tvorbě třísek na povrchu obrobku, podložte obrobek kouskem dřeva.
- ◆ Při vrtání otvorů do dřeva, které mají větší průměr, používejte ploché vrtáky do dřeva.
- ◆ Při vrtání do kovu používejte vrtáky z rychlořezné oceli (HSS).
- ◆ Při vrtání do zdiva použijte vrtáky do zdiva.
- ◆ Nevrtáte-li do litiny nebo do mosazi, používejte při vrtání kovů mazivo.



- ◆ Pro zvýšení přesnosti vrtání si vždy uprostřed díry, kterou chcete vrtat, vytvořte na povrchu obrobku pomocí průbojníku vodící značku.

### Šroubování

- ◆ Vždy používejte správný typ a velikost šroubovacího nástavce.
- ◆ Nejdou-li šrouby správně přitáhnout, použijte jako mazivo malé množství saponátu nebo mýdlového roztoku.
- ◆ Vždy držte nářadí se šroubovacím nástavcem v jedné ose se šroubem.

### Údržba

Vaše nářadí Black & Decker bylo zkonstruováno tak, aby pracovalo po dlouhou dobu s minimálními nároky na údržbu. Rádná péče o nářadí a jeho pravidelné čištění vám zajistí jeho bezproblémový chod.

Vaše nabíječka nevyžaduje žádnou údržbu mimo pravidelné čištění.

**Varování!** Před prováděním jakékoli údržby vyjměte z nářadí baterii. Před čištěním nabíječky odpojte nabíječku od sítě.

- ◆ Větrací otvory nářadí a nabíječky pravidelně čistěte měkkým kartáčem nebo suchým hadříkem.
- ◆ Pomocí vlhkého hadříku pravidelně čistěte kryt motoru. Nepoužívejte žádné abrazivní čistící prostředky nebo rozpouštědla.
- ◆ Pravidelně otvírejte sklíčidlo a poklepáním odstraňte prach z vnitřní části nářadí.

### Ochrana životního prostředí



Tříděte odpad. Tento výrobek nesmí být vyhozen do běžného domácího odpadu.

Pokud nebudete výrobek Black & Decker dále používat nebo přejete-li si jej nahradit novým, nelikvidujte jej spolu s běžným komunálním odpadem. Zlikvidujte tento výrobek v tříděném odpadu.



Tříděný odpad umožňuje recyklaci a opětovné využití použitých výrobků a obalových materiálů. Opětovné použití recyklovaných materiálů pomáhá chránit životní prostředí před znečištěním a snižuje spotřebu surovin.

Při zakoupení nových výrobků vám prodejny, místní sběrný odpadů nebo recyklační stanice poskytnou informace o správné likvidaci elektroodpadů z domácnosti.

Společnost Black & Decker poskytuje službu sběru a recyklace výrobků Black & Decker po skončení jejich provozní životnosti. Chcete-li získat výhody této služby, odevzdejte prosím váš výrobek kterémukoli autorizovanému zástupci servisu, který nářadí odebere a zajistí jeho recyklaci.

Místo nejbližšího autorizovaného servisu Black & Decker naleznete na příslušné adrese uvedené v tomto návodu. Seznam autorizovaných servisů Black & Decker a podrobnosti o poprodejním servisu naleznete také na internetové adrese: [www.2helpU.com](http://www.2helpU.com).

### Baterie



Baterie Black & Decker lze mnohokrát opakovaně nabíjet. Po ukončení jejich životnosti je likvidujte tak, aby nedošlo k ohrožení životního prostředí:

- ◆ Nechejte nářadí v chodu, dokud nedojde k úplnému vybití baterie a potom ji vyjměte z nářadí.
- ◆ Baterie typu NiCd, NiMH a Li-Ion lze recyklovat. Odevzdejte je v autorizovaném servisu nebo do místní sběrný, kde budou recyklovány nebo zlikvidovány tak, aby nedošlo k ohrožení životního prostředí.

### Technické údaje

		EPC126 (H1)	EPC146 (H1)	EPC186 (H1)
Napájecí napětí	V <sub>DC</sub>	12	14,4	18
Otáčky naprázdno	min <sup>-1</sup>	0-450/ 0-1 400	0-450/ 0-1 500	0-400/ 0-1 350
Max. moment	Nm	18	20	25
Maximální průměr sklíčidla	mm	10	10	10
Maximální průměr vrtáku při vrtání				
Ocel/dřevo	mm	10/25	10/25	10/25

Baterie	A12/A12E	A14/A14E	A18/A18E
Kapacita	Ah 1,0	1,0	1,0
Typ	NiCd	NiCd	NiCd
Hmotnost	kg 0,5	0,6	0,7

Baterie	A12NH	A14NH	A18NH
Kapacita	Ah 1,5	1,5	1,5
Typ	NiMH	NiMH	NiMH
Hmotnost	kg 0,6	0,7	0,9

Nabíječka				
		90500843	90500844	90500845
		90500847	90500848	90500849
		90500855	90500856	90500857
		90500858	90500859	90500860
Napájecí napětí	$V_{AC}$	230-240	230-240	230-240
Výstupní napětí	$V_{DC}$	14,5-15,3	17,4-18,2	21,75-22,6
Proud	$mA$	210-220	200-210	210-230
Přibližná doba nabíjení	hod	8-10	8-10	8-10

		EPC128 (H1)	EPC148 (H1)	EPC188 (H1)
Napájecí napětí	$V_{DC}$	12	14,4	18
Otáčky naprázdno	$min^{-1}$	0-450/ 0-1 400	0-450/ 0-1 500	0-400/ 0-1 350
Max. moment	$Nm$	18	22	25
Maximální průměr sklíčidla	$mm$	10	10	10
Maximální průměr vrtáku při vrtání				
Ocel/dřevo	$mm$	10/25	10/25	10/25
Zdivo	$mm$	10	10	10

Baterie	A12/A12E	A14/A14E	A18/A18E
Kapacita	Ah 1,0	1,0	1,0
Typ	NiCd	NiCd	NiCd
Hmotnost	kg 0,5	0,6	0,7

Baterie	A12NH	A14NH	A18NH
Kapacita	Ah 1,5	1,5	1,5
Typ	NiMH	NiMH	NiMH
Hmotnost	kg 0,6	0,7	0,9

Nabíječka				
		90500843	90500844	90500845
		90500847	90500848	90500849
		90500855	90500856	90500857
		90500858	90500859	90500860
Napájecí napětí	$V_{AC}$	230-240	230-240	230-240
Výstupní napětí	$V_{DC}$	14,5-15,3	17,4-18,2	21,75-22,6
Proud	$mA$	210-220	200-210	210-230
Přibližná doba nabíjení	hod	8-10	8-10	8-10

#### Hladina akustického tlaku podle normy EN 60745:

Akustický tlak ( $L_{pWA}$ ) 87 dB(A), odchylka (K) 3 dB(A)  
 Akustický výkon ( $L_{WA}$ ) 98 dB(A), odchylka (K) 3 dB(A)

#### Celková úroveň vibrací (prostorový vektorový součet) podle normy EN 60745:

Přiklepové vrtání do betonu ( $a_{h, ID}$ ) 11,4  $m/s^2$ , odchylka (K) 1,5  $m/s^2$ ,  
 Vrtání do kovu ( $a_{h, D}$ ) < 2,5  $m/s^2$ , odchylka (K) 1,5  $m/s^2$ ,  
 Šroubování bez rázů ( $a_{h, S}$ ) < 2,5  $m/s^2$ , odchylka (K) 1,5  $m/s^2$

## ES Prohlášení o shodě SMĚRNICE PRO STROJNÍ ZAŘÍZENÍ



### EPC126/EPC146/EPC186/ EPC148/EPC148/ EPC188

Společnost Black & Decker prohlašuje, že tyto produkty popisované v technických údajích splňují požadavky následujících norem: 2006/42/EC, EN 60745-1, EN 60745-2-1.

Chcete-li získat další informace, kontaktujte prosím společnost Black & Decker na následující adrese nebo na adresách, které jsou uvedeny na konci tohoto návodu.

Níže podepsaná osoba je odpovědná za sestavení technických údajů a provádí toto prohlášení v zastoupení společnosti Black & Decker.

Kevin Hewitt  
 Viceprezident pro  
 spotřebitelskou techniku  
 Black & Decker Europe  
 210 Bath Road, Slough  
 Berkshire, SL1 3YD  
 United Kingdom  
 13/07/2011

## Záruka

Společnost Black & Decker je přesvědčena o kvalitě svých výrobků a nabízí mimořádnou záruku. Tato záruka je nabízena ve prospěch zákazníka a nijak neovlivní jeho zákonná záruční práva. Tato záruka platí ve všech členských státech EU a v evropské zóně volného obchodu EFTA.

Objeví-li se na výrobku Black & Decker, v průběhu 24 měsíců od zakoupení, jakékoli materiálové či výrobní vady, společnost Black & Decker garantuje ve snaze o minimalizování vašich starostí bezplatnou výměnu vadných dílů, opravu nebo výměnu celého výrobku za níže uvedených podmínek:

- ♦ Výrobek nebyl používán pro obchodní nebo profesionální účely a nedocházelo-li k jeho pronájmu.
- ♦ Výrobek nebyl vystaven nesprávnému použití a nebyla zanedbána jeho předepsaná údržba.
- ♦ Výrobek nebyl poškozen cizím zaviněním.
- ♦ Opravy nebyly prováděny jinými osobami, než autorizovanými opraváři nebo mechaniky autorizovaného servisu Black & Decker.

Požadujete-li záruční opravu, budete muset prodejci nebo zástupci autorizovaného servisu předložit doklad o zakoupení výrobku. Místo nejbližšího autorizovaného servisu Black & Decker naleznete na příslušné adrese uvedené v tomto návodu. Seznam autorizovaných servisů Black & Decker a podrobnosti o poprodejním servisu naleznete také na internetové adrese: **[www.2helpU.com](http://www.2helpU.com)**.

Navštivte prosím naši internetovou stránku **[www.blackanddecker.co.uk](http://www.blackanddecker.co.uk)**, abyste mohli zaregistrovat váš nový výrobek Black & Decker a kde budete informováni o našich nových výrobcích a speciálních nabídkách. Na adrese **[www.blackanddecker.co.uk](http://www.blackanddecker.co.uk)** jsou k dispozici další informace o značce Black & Decker a o celé řadě našich dalších výrobků.

## Rendeltetészerű használat

Szívből gratulálunk új Black & Decker EPC126/ EPC146/EPC186 Fűrő/csavarozó gépéhez. Ezt a készüléket csavarozási feladatok elvégzésére valamint fa, fém és műanyagok fúrására terveztük.

Szívből gratulálunk új Black & Decker EPC128/ EPC148/EPC188 Fűrő/csavarozó gépéhez.

Ezt a készüléket csavarozási feladatok elvégzésére valamint fa, fém és műanyagok és lágy kőzetanyagok fúrására terveztük. Ezek a készülékek ipyszerű felhasználásra nem alkalmasak.

## Biztonsági előírások

### Elektromos kéziszerszámokra vonatkozó általános biztonsági figyelmeztetések



**Figyelmeztetés! Olvassa el az összes biztonsági figyelmeztetést és utasítást.**

A következő figyelmeztetések, utasítások figyelmen kívül hagyása elektromos áramütést vagy tüzet és/vagy súlyos balesetet okozhat.

### Őrizze meg a figyelmeztetéseket és a használati utasítást, hogy azokat később is fellapozhassa.

Az „elektromos szerszám” kifejezés a figyelmeztetésekből az Ön által használt hálózati (vezetékes) vagy akkumulátoros (vezeték nélküli) elektromos szerszámát jelenti.

#### 1. Munkaterület

- a. **Tartsa rendben és világítsa meg munkahelyét.** A zsúfolt, rendetlen munkaterület növeli a balesetveszélyt. Gondoskodjon a munkaterület megfelelő megvilágításáról.
- b. **Ne használja a készüléket robbanás és tűzveszélyes helyeken, például gyúlékony folyadékok és gázok közelében.** Elektromos kéziszerszámok használatakor szikra keletkezhet, mely begyújthatja a port vagy gázt.
- c. **Tartsa távol a gyerekeket.** Gondoskodjon arról, hogy gyereket, más személyek vagy állatok ne közelíthessék meg a munkaterületet, ne érintessék meg a készüléket és a hálózati kábelt, továbbá elvonhatják figyelmét a készülék irányításáról.

#### 2. Elektromos biztonság

- a. **A készülék csatlakozódugójának illeszkednie kell a dugaszoló aljzathoz. Soha ne változtasson a csatlakozódugón. Soha ne használjon semmilyen adaptert**

**földelt készülékekkel.** Az eredeti csatlakozódugó és a megfelelő dugaszoló aljzat használatával jelentősen csökkenthető az elektromos áramütés kockázata.

- b. **Kerülje az érintkezést fémes részekkel (például csövek, radiátorok, tűzhelyek és hűtőszekrények).** Viseljen gumitalpú cipőt. Extrém munkakörülmények között (pl.: magas páratartalom, fémpor keletkezése esetén) az elektromos biztonság növelhető egy leválasztó transzformátor vagy hibaáram-védelmi kapcsoló előkapcsolásán keresztül.
  - c. **Legyen figyelemmel a környezeti behatásokra.** Ne hagyja szabadban a gépet, óvja az esőtől. Ne használja nyirkos, nedves környezetben.
  - d. **Bánjon gondosan a kábellel. Soha ne a kábelnél fogva vigye a gépet, és kérjük, ne a kábelnél fogva húzza ki a csatlakozódugót a konnektorból. Tartsa távol a kábelt éles szélektől, védje olajtól és hőtől. Minden használat előtt ellenőrizze a kábel állapotát, és ne indítsa be a gépet, ha a kábel sérült.** Sérült vagy összetekeredett hálózati kábel használata jelentősen növelheti az elektromos áramütés kockázatát.
  - e. **A szabadban kizárólag csak az arra jóváhagyott és jelöléssel ellátott hosszabbító kábelt szabad használni.** Használat előtt ellenőrizze a hosszabbító kábelt és cserélje le, ha sérült. Teljesítmény csökkenés nélkül max. 30m hosszú, kéteres Black & Decker hosszabbító kábelt használhat.
  - f. **Ha elkerülhetetlen a készülék nedves környezetben való használata, használjon egy leválasztó transzformátort vagy hibaáram-védelmi kapcsolót.** Extrém munkakörülmények között (pl.: magas páratartalom, fémpor keletkezése esetén) az elektromos biztonság növelhető egy leválasztó transzformátor vagy hibaáram-védelmi kapcsoló előkapcsolásán keresztül.
- #### 3. Személy védelem
- a. **Figyeljen munkájára. Figyeljen mindig arra, amit tesz. Használja az összes érzékszervét. Ne használja a készüléket, ha fáradt, vagy ha hallucinogén anyag, alkohol vagy gyógyszeres befolyásoltság alatt áll.** Elektromos kéziszerszám használatakor pillanatnyi figyelmetlenség is súlyos baleset előidézője lehet.
  - b. **Viseljen védőfelszerelést. Mindig viseljen védőszemüveget.** Használjon arc vagy pormaszkot, ha az elvégzendő munka nagy

- porral, vagy lepattanó részekkel járhat. Ügyeljen a hallásvédelemre is.
- c. **Ne hagyja felügyelet nélkül bekapcsolva a gépet. Győződjön meg róla, hogy az üzemi kapcsoló kikapcsolott állapotban van, mielőtt az áramforrásra csatlakoztatja.** Ne szállítsa a feszültség alatt lévő gépet ujjával az üzemi kapcsolón, mivel ez súlyos baleset előidézője lehet.
- d. **Ne hagyjon szerelőkulcsot a gépben.** A munka megkezdése előtt mindig ellenőrizze, hogy a szerelőszerszámot (kulcsot) eltávolította-e a készülékből.
- e. **Álljon biztonságosan. Kerülje a rendellenes testtartást, és egyensúlyát soha ne veszítse el munkavégzés közben.** Így jobban irányíthatja a készüléket, még váratlan helyzetekben is.
- f. **Viseljen megfelelő munkaruházatot. Szabadban viseljen gumikesztyűt és csúszásmentes lábbelit. Ne hordjon ékszert vagy laza ruházatot munkavégzés közben. Tartsa távol hosszú haját, ruházatát és munkakesztyűjét a mozgó részekről.** A laza ruházat, ékszerek vagy hosszú haj beakadhatnak a mozgó részekbe. Hosszú haj esetében használjon sapkát, hogy ne zavarja a munkában.
- g. **Ha a készüléken megtalálható a porelszívási lehetőség, vagy a porzsák, úgy ügyeljen arra, hogy megfelelően csatlakoztassa és használja ezeket munka közben.** Porelszívó berendezés használatával nagymértékben csökkenthetőek a por okozta veszélyek.
4. **Az elektromos kéziszerszám használata és ápolása**
- a. **Mindig a megfelelő szerszámot használja. Ne erőltesse a kéziszerszámot.** A készülék rendeltetésszerű használatáról korábban már említést tettünk. Ne erőltesse túl a kisebb teljesítményű készülékeket, vagy tartozékokat, nagyobb teljesítményt igénylő munkánál. A termékkel jobban és biztonságosabban elvégezheti a munkát, hogy ha a teljesítmény kategóriájának megfelelően használja. **Figyelem!** Az Ön biztonsága érdekében csak olyan tartozékokat, illetve kiegészítő berendezést használjon, melyet a kezelési utasítás ajánl.
- b. **Ne használja a gépet, ha a kapcsoló nem működőképes.** Bármely kéziszerszám használata, amely nem irányítható megfelelően az üzemi kapcsolóval, nagyon veszélyes, ezért azonnal meg kell javíttatni a kapcsolót, ha sérült vagy nem működőképes.
- c. **Áramtalanítsa a készüléket.** Mindig áramtalanítsa a készüléket, ha nem használja azt; mielőtt változtatna a gép bármely beállításán; tartozékok vagy feltétet cserél; valamint a termék átvizsgálása előtt.
- d. **Ügyeljen a készülék megfelelő tárolására. Ha nem használja a készüléket, tartsa száraz, gyermekek elől gondosan elzárt helyen.** Az elektromos kéziszerszámok használata veszélyes lehet nem képzett felhasználó esetén.
- e. **Ellenőrizze a készülék állapotát. Használat előtt mindig ellenőrizze a készüléket és a hálózati kábelt. Vizsgálja meg, hogy a mozgó részek megfelelően működnek, nincsenek akadályoztatva. Ellenőrizze a részegységeket, olajozásukat, esetleg előforduló töréseit, a kézvédő vagy a kapcsoló sérüléseit és minden olyan rendellenességet, ami befolyásolhatja a készülék használatát.** Bizonyosodjon meg róla, hogy a készülék megfelelően működik, és a kategóriájával egyenértékű teljesítményt biztosít. Ne használja a gépet, ha valamelyik alkatrésze sérült. A sérült vagy hibás alkatrészek javítását vagy cseréjét csak a kijelölt szakszervezet végezheti. Soha ne kísérelje meg a javítást Önállóan, a sérült részeket és védőberendezéseket előírás szerint kell javíttatni vagy cseréltetni.
- f. **A vágóéleket tartsa élesen és tisztán a jobb és biztonságosabb munkavégzés érdekében.** Kövesse a karbantartásra és tartozékcserere vonatkozó előírásokat. Tartsa a fogantyúkat és csatlakozásokat szárazon, tisztán és olajtól, zsírtól mentesen.
- g. **Rögzítse a munkadarabot. Használjon satut vagy más leszorító eszközt a munkadarab rögzítésére.** Így biztonságossá válik a munkavégzés, és mindkét keze szabadon marad a gép irányítására.
5. **Akkumulátoros készülék használata és ápolása**
- a. **Kizárólag csak műszaki adatokban megadott töltőkészüléket használja az akkumulátor töltésére.** Más töltő használata személyi és dologi kárt és tűzveszélyt okozhat.
- b. **Kizárólag csak a műszaki adatokban megadott akkumulátort csatlakoztasson a készülékre.** Más akkumulátor használata személyi és dologi kárt okozhat.
- c. **Ügyeljen az akkumulátort a megfelelő tárolásra.** Rövidzárlat okozásának veszélye miatt kerülje, hogy fémes tárgyak az akku

pólusaival érintkezzenek. A tűzveszély mellett az akku is károsodhat. (pl.: ha az akkumulátort a szerszám kofferben tárolja, az abban lévő szerszámokkal érintkezhet).

- d. **Szélsőséges körülmények között való használatnál előfordulhat, hogy akkufolyadék szivárog ki az akkuból. Kerülje az érintkezést az akkufolyadékkal. Ha mégis érintkezésbe kerül vele, öblítse le bő vízzel. Ha szemébe kerül, forduljon azonnal orvoshoz.** Az akkufolyadék bőrirritációt és megégést okozhat.
6. **Javítás**
- a. **Ez a kéziszerszám megfelel a vonatkozó biztonsági előírásoknak. Javítást csak szakszerviz végezhet, és csak eredeti gyári alkatrészeket szabad felhasználni.** A szakszerűtlen javítás súlyos baleset előidézője lehet.

**Az elektromos szerszámokra vonatkozó további speciális biztonsági utasítások**



**Figyelem!** Kiegészítő biztonságtechnikai előírások fűrókhoz és csavarozókhoz.

- ♦ **Az ütvefűró használata közben viseljen fülvédőt.** A zaj halláskárosodást okozhat.
- ♦ **Mindig használja a készülékkel szállított pótfogantyút.** A szerszám feletti uralom elvesztése személyi sérüléssel végződhet.
- ♦ **A készüléket csak a szigetelt markolati felületen tartsa, ha olyan munkát végez, ahol a befogott tartozék rejtett vezetékkel vagy saját hálózati kábelével érintkezhet.** Élő vezetékkel való találkozás a készülék fém részeit is élővé, vezetővé teszi, és így elektromos áramütés veszélyét jelenti a felhasználó számára.
- ♦ **Használjon leszorító eszközt vagy satut a munkadarab biztosításához, illetve megtámasztásához.** Az irányítás elvesztéséhez vezethet, és személyi sérülést okozhat, ha a munkadarabot a kezében tartja, vagy testéhez támasztja.
- ♦ Fal, padló vagy mennyezet fűrése előtt tájékozódjon az elektromos- és csővezetékek elhelyezkedéséről.
- ♦ Közvetlenül fűrés után ne nyúljon a fűrészárhoz, mert az a fűrés során felforrósodhat.
- ♦ A készüléket korlátozott fizikai, érzékszervi és mentális képességekkel rendelkező

vagy gyakorlatlan személyek (beleértve a gyermekeket is) nem használhatják; kivétel, ha számukra a szerszám használatához a biztonságukért felelős személy felügyeletet és tájékoztatást biztosít számukra.

- A gyermekeket felügyelni kell; meg kell akadályozni, hogy a szerszámmal játszzanak.
- ♦ A készülék rendeltetésszerű használatát már korábban leírtuk. Ne erőltesse túl a kisebb teljesítményű készülékeket, vagy tartozékokat, nagyobb teljesítményt igénylő munkánál. A termékkel jobban és biztonságosabban elvégezheti a munkát, hogy ha a teljesítmény kategóriájának megfelelően használja. Ne erőltesse a szerszámot. Az Ön biztonsága érdekében csak olyan tartozékot, illetve kiegészítő berendezést használjon, melyet a kezelési utasítás ajánl.

**Vibráció**

A műszaki adatlapon és a megfelelőségi nyilatkozatban feltüntetett vibrációs kibocsátási értékeket az EN 60745 szabványnak megfelelően határoztuk meg; az felhasználható a különböző szerszámok értékeinek összehasonlítására. A deklarált vibrációs kibocsátási érték az előzetes kockázatelemzéshez is felhasználható.

**Figyelmeztetés!** A tényleges vibrációs kibocsátási érték az elektromos szerszám használata során különbözhet a deklarált értéktől attól függően, hogyan használják a szerszámot. A vibrációs értékek az itt feltüntetett szint fölé is emelkedhetnek.

A 2002/44/EK által a géppel rendszeresen dolgozók számára megkövetelt szükséges biztonsági intézkedések meghatározásához végzett vibrációs kitétség kiértékelése során a kitétség kiértékelésénél figyelembe kell venni a tényleges használat körülményeit, illetve azt, hogy a szerszámot hogyan használják, ideértve a munkafolyamat minden egyes részét, pl. azokat az időszakokat is, amikor a szerszám ki van kapcsolva vagy üresen fut a napi kitétséget jelentő idő mellett.

**Címkék a szerszámon**

A szerszámon a következő piktogramok találhatók:



**Figyelmeztetés!** A sérülések kockázatának csökkentése érdekében a felhasználó köteles elolvasni a használati utasítást.

## További biztonsági utasítások akkumulátorokhoz és töltőkhöz

### Akkumulátor

- ◆ Soha, semmilyen okból ne próbálja felnyitni az akkumulátort!
- ◆ Ne tegye ki víznek vagy nedvességnek.
- ◆ Ne tárolja olyan helyen, ahol a hőmérséklet meghaladhatja a 40 °C-ot.
- ◆ Csak 10 °C és 40 °C közötti környezeti hőmérsékleten töltsse.
- ◆ Csak a szerszámhoz mellékelt töltővel töltsse.
- ◆ Használt akkumulátor/elem leselejtezése során kövesse „A környezet védelme” című rész utasításait.



Sérült akkumulátort ne töltsön.

### Akkumulátor töltő

- ◆ A Black & Decker töltőt csak annak az akkumulátornak a töltésére használja, amelyet a szerszámhoz mellékeltünk. Más akkumulátor felrobbanhat, személyi sérülést és anyagi károkat okozhat.
- ◆ Ne próbáljon elemet tölteni a töltővel.
- ◆ A hibás tápkábelt azonnal cseréltesse ki.
- ◆ Óvja a töltőt a víztől és a nedvességtől.
- ◆ Ne nyissa föl a töltőt.
- ◆ Ne tesztelje a töltőt.



A töltő csak beltéri használatra alkalmas.



Használat előtt olvassa el a kezelési útmutatót.



127°C

- ◆ A töltő automatikusan kikapcsol, ha a környezeti hőmérséklet túl magasra emelkedik. A hő hatására való kioldás csak egyszer lehetséges, és teljes cserét igényel.

### Elektromos biztonság



A töltő kettős szigeteléssel rendelkezik; ezért nincs szükség földelő vezetékre. Mindig ellenőrizze, hogy a szerszám adattábláján megadott feszültség egyezik-e a hálózati feszültséggel. Ne próbálja a töltőt hálózati csatlakozóval helyettesíteni.

- ◆ Ha a hálózati kábel sérült, azonnal cseréltesse le egy Black & Decker szakszervizben.

## Leírás

A készülék a következő jellemzőkkel rendelkezhet:

1. Fordulatszám-szabályozós üzemi kapcsoló
2. Forgásirányváltó kapcsoló
3. Üzemmod választó / nyomaték beállító gyűrű
4. Tokmány
5. Sebesség választó
6. Szerszám befogó
7. Akkumulátor

### A ábra

8. Töltőkészülék csatlakozó
9. Töltőkészülék
10. Töltőállomás (csak két akkumulátorral szállított „CAB” kiterjesztésű típusoknál)

## Összeszerelés

**Figyelmeztetés!** Összeszerelés előtt, vegye ki az akkumulátort a szerszámból.

### Akkumulátor fel- és leszerelése (B & C ábra)

- ◆ Az akkumulátor (7) behelyezéséhez igazítsa az akkut a gép akkunylásához. Csúsztassa az akkumulátort a tartórekeszbe és addig nyomja, amíg a helyére nem kattán.
- ◆ Az akkumulátor eltávolításához nyomja meg a kioldó gombot (11), egyidejűleg húzza ki az akkumulátort a rekeszből.

### Akkumulátor sapka felszerelése (C ábra)

**Figyelmeztetés!** Szállítás és tárolás alkalmával illessze a sapkát (12) az akkumulátorra (7).

### Fúrószár vagy csavarozó hegy befogása, illetve kivétele (D ábra)

**Figyelem!** Először mindig távolítsa el az akkut a gépből!

Ez a készülék gyorsszorító fúrótokmánnyal van ellátva, amely egyszerű és gyors tartozékcsere tesz lehetővé.

- ◆ Reteszelve a készüléket úgy, hogy a forgásirányváltó kapcsolót (2) középpállásba tolja.
- ◆ Nyissa ki a tokmányt úgy, hogy az egyik kezével a tokmányt elülső részét (13) forgatja, miközben a másik kezével a hátsó felét (14) szilárdan tartja, amíg a tokmánypofák megfelelően kinyílnak.
- ◆ Helyezze be a fúrószárat vagy csavarozó hegyet (15) a tokmányba és gondosan szorítsa meg a tokmányt, amíg a tokmánypofák megfelelően bezáródnak.

Ezt a készüléket egy kettősvégű csavarozóhegygel szállítjuk, mely a csavarozóhegy tartóban (6) található.



- ◆ A csavarozó hegy tartóból való eltávolításához, emelje ki a vajatból.
- ◆ Tároláshoz, erősen nyomja a tartóba.

### A fúrótokmány leszerelése és felszerelése (E ábra)

- ◆ Teljesen nyissa ki a tokmányfókat.
- ◆ Távolítsa el a tokmányrögzítő csavart úgy, hogy az óramutató járásával megegyező irányba forgatja egy csavarhúzó segítségével.
- ◆ Szorítsa a tokmányba egy imbuszkulcsot és kalapáccsal mérjen gyenge ütésekkel rá, az ábra szerint.
- ◆ Távolítsa el az imbuszkulcsot a tokmányból.
- ◆ Csavarja le a tokmányt a tengelyről az óramutató járásával ellentétes irányba.
- ◆ A tokmány felszereléséhez, csavarja a tokmányt a tengelyre és biztosítsa a tokmányrögzítő csavar segítségével.

### Maradványkockázatok.

A biztonsági figyelmeztetésekben ismertetett kockázatok mellett más kockázatok is jellemezhetik a szerszám használatát. Ezek a kockázatok a szerszám rendeltetéstől eltérő, illetve huzamos használatából stb. adódhatnak.

A vonatkozó biztonsági előírások alkalmazása és a védőeszközök használata ellenére bizonyos kockázatok (ún. maradványkockázatok) nem lehet kizárni. Ezek például a következők:

- ◆ **A forgó/mozgó alkatrészek érintése által okozott sérülés.**
- ◆ **Az alkatrészek, vágólapok, tartozékok cseréje által okozott sérülés.**
- ◆ **A szerszám huzamos használata által okozott egészségkárosodás. Ha valamely szerszámot huzamosabb ideig használ, akkor tartson rendszeresen szüneteket a munkában.**
- ◆ **Halláskárosodás.**
- ◆ **A fűrészpor belégzése miatti egészségkárosodás, különös tekintettel a tölgy, bükk és rétegettlemez anyagokra.**

### Használat

**Figyelmeztetés!** Hagyja a szerszámot saját tempójában működni. Ne terhelje túl.

**Figyelmeztetés!** Fal, padló vagy mennyezet fúrása előtt tájékozódjon az elektromos- és csővezetékek elhelyezkedéséről.

### Az akkumulátor töltése (A és F ábra)

Az akkumulátort az első használat előtt és minden olyan esetben tölteni kell, ha az nem

ad elégséges áramot egy olyan munkánál, amit a szerszám korábban erőlködés nélkül elvégzett. Amikor először vagy hosszú idő után újra tölti az akkumulátort, legfeljebb 80%-ig tudja csak feltölteni. Az akkumulátor néhány töltés és lemerülés után éri el teljes kapacitását. Az akkumulátor a töltés közben melegekedhet; ez normális jelenség és nem jelez hibát.

**Figyelmeztetés!** Ne töltsen az akkumulátor 10 °C alatti vagy 40 °C feletti külső hőmérsékletnél. Javasolt töltési hőmérséklet: 24 °C körül.

### A töltőkészülék töltőállomással való használata (csak két akkumulátorral szállított, „CAB” kiterjesztésű típusoknál)

- ◆ Az akkumulátor (7) töltéséhez vegye ki az akkut a gépből, és helyezze be a töltőállomásba (10). Az akku csak egy bizonyos helyzetben illeszthető be a töltőállomásba. Ne erőltesse! Ellenőrizze, hogy az akku teljesen beilleszkedik a töltőállomásba.
- ◆ Dugja a töltő (9) villásdugóját a hálózati dugaljba.

Normális használatnál a 3 órás töltési idő elegendő energiát biztosít a legtöbb alkalmazáshoz. Az akkumulátor és a töltőkészülék állapotától függően, a töltési idő 6 óráig történő meghosszabbításával az akkumulátor használati idejét jelentősen növelheti.

- ◆ Vegye ki az akkumulátort a töltőkészülékből.

### A töltőkészülék töltőállomás nélküli használata

- ◆ Az akku töltése előtt ellenőrizze, hogy a gép kikapcsolt állapotban legyen.
  - ◆ Az akkumulátor töltéséhez, bizonyosodjon meg arról, hogy az a készülékre van illesztve.
  - ◆ Dugja a töltőkészülék csatlakozódugóját (8) a töltőkészülék csatlakozójába.
  - ◆ Dugja a töltőkészüléket a hálózati dugaljba.
- Normális használatnál a 3 órás töltési idő elegendő energiát biztosít a legtöbb alkalmazáshoz. Az akkumulátor és a töltőkészülék állapotától függően, a töltési idő 6 óráig történő meghosszabbításával az akkumulátor használati idejét jelentősen növelheti.

- ◆ Húzza ki a gépből a töltőkészülék csatlakozódugóját.

**Figyelem!** Ne használja a gépet, miközben az a töltőkészülékhez van csatlakoztatva.

### Forgásirány kiválasztása (G ábra)

Fúráshoz és csavarok behajtásához használja a jobbra (óramutató járásával egyező irányú) forgásirányt. Csavarok kihajtásához, vagy megszorult



fúrószerkezet kilazításához, használja a balra (órmutató járásával ellentétes irányú) forgásirányt.

- ◆ Fúráshoz és csavarok behajtásához állítsa a forgásirányváltó kapcsolót (2) baloldali pozícióba.
- ◆ Csavarok kihajtásához, vagy megszorult fúrószerkezet kilazításához, állítsa a forgásirányváltó kapcsolót jobboldali pozícióba.
- ◆ A készülék bereteszéséhez állítsa a forgásirányváltó kapcsolót középpállásba.

### Az üzemmódok és a nyomaték kiválasztása (H ábra)

Ez a készülék az egy forgatható gyűrűvel van ellátva, mely segítségével kiválaszthatja a megfelelő üzemmódot és a csavarok behajtásához szükséges nyomatékot. Nagyobb csavarokhoz és keményebb munkadarabokhoz a magasabb nyomaték szükséges, mint a kisebb csavarokhoz és lágyabb munkadarabokhoz. A forgatható gyűrű segítségével széles a nyomaték beállításának lehetősége, így a különböző felhasználási területeknek megfelelő nyomatékon tudja a készüléket használni.

- ◆ Fa, fém és műanyag fúrásához forgassa a gyűrűt (3) fúróállásba úgy, hogy a fúrás szimbólumot **F** a jelöléshez (16) igazítja.
- ◆ Csavarozáshoz forgassa a gyűrűt a kívánt állásra. Ha nem tudja még megfelelően beállítani a nyomatékot, akkor a következőképpen járjon el:
  - Állítsa be a gyűrűt (3) a legalacsonyabb nyomatéokra.
  - Húzza meg így az első csavart.
  - Ha a kuplung a kívánt eredmény elérése előtt elracsnizik, növelje a gyűrű segítségével a nyomatékot és folytassa a csavarozást. Ismételje ezt a módszert mindaddig, amíg el nem éri a megfelelő beállítást. A többi csavart ugyanezzel a beállítással csavarozza be.

### Fúrás kőzetbe (H és I ábra) (csak EPC128 / EPC148 / EPC188 típusoknál)

- ◆ Kőzet fúrásánál fordítsa a gyűrűt (3) útvefúrás pozícióba úgy, hogy a **T** szimbólumot a (16) jelzéshez forgatja.
- ◆ Tolja a sebességváltó kapcsolót (5) a készülék eleje felé (2. sebesség).

### Sebességváltó kapcsoló (I ábra)

- ◆ Fémek fúrásához és csavarozáshoz tolja a kétfokozatú sebességváltó kapcsolót (5) a készülék hátulja felé. (1. sebesség).

- ◆ Egyéb anyagok fúrásához tolja a kétfokozatú sebességváltó kapcsolót (5) a készülék eleje felé. (2. sebesség).

### Fúrás / csavarozás

- ◆ Válassza ki a forgásirány váltó kapcsolóval (2) a jobb vagy bal forgásirányt.
- ◆ A gép bekapcsolásához nyomja be az üzemi kapcsolót (1). A kapcsoló behúzásának mértékével arányosan nő a fordulatszám.
- ◆ A gép leállításához engedje el az üzemi kapcsolót.

### Javaslatok az optimális munkavégzéshez

#### Fúrás

- ◆ Segítse könnyed nyomással a készüléket a fúrószerkezettel párhuzamos irányba.
- ◆ Ha a fúrószerkezet hegye már majdnem átér az anyagon, csökkentse a gépre gyakorolt nyomást.
- ◆ Ha a fúrószerkezet szaklósítja, vagy kiszakítja a munkadarabot, helyezzen egy darab fát a munkadarab hátoldalához.
- ◆ Ha fában nagy furatot kíván létrehozni, használjon faspírál fúrót.
- ◆ Fémekhez használjon HSS fém fúrószerkezetet.
- ◆ Puha kőzetanyagokhoz használjon kőzet fúrószerkezetet.
- ◆ Használjon kenőanyagot fémek fúrásához - kivéve sárgaréz és öntöttvas.
- ◆ Központosító fúróval jelölje meg a fúrni kívánt lyuk közepét a még pontosabb munkavégzés érdekében.

#### Csavarozás

- ◆ Mindig a megfelelő típusú és méretű csavarozó hegyet használja.
- ◆ Ha a csavar csak nagyon nehezen hajtható be, tegyen kenőanyagként egy kis mosószeret vagy szappant a csavarra.
- ◆ Mindig tartsa a gépet egyvonalban a csavarral.

### Karbantartás

Az Ön Black & Decker szerszámát minimális karbantartás mellett hosszú távú használatra terveztük. A folyamatos kielégítő működés feltétele a megfelelő gondozás és rendszeres tisztítás.

A rendszeres tisztításon kívül az Ön töltőkészülék más karbantartást nem igényel.

**Figyelmeztetés!** Mielőtt bármilyen beállítást változtat a gépen, vagy karbantartási munkába kezd, mindig távolítsa el az akkumulátort a készülékből. Csatlakoztassa le a töltőkészüléket a hálózati áramforrásról, mielőtt megtisztítja.

- ◆ Puha kefével vagy száraz törlőkendővel rendszeresen tisztítsa meg a szerszám és a töltő szellőzőnyílásait.
- ◆ Nedves ronggyal rendszeresen tisztítsa a burkolatot. Ne használjon súrolószert vagy oldószer alapú tisztítót.
- ◆ Rendszeresen nyissa ki a tokmányt és ütögesse meg, hogy a belsejéből kihulljon a por.

## Környezetvédelem



Elkülönítve gyűjtendő. A termék nem kezelhető háztartási hulladékként.

Ha egy nap úgy véli, hogy az Ön Black & Decker szerszámát le kell cserélnie vagy arra a továbbiakban nincs szüksége, akkor azt a háztartási hulladékoktól elkülönítve selejtezze le. Gondoskodjék elkülönített kezeléséről.



A használt termékek és csomagolásuk elkülönített kezelése lehetővé teszi az anyagok újrafeldolgozását. Az újrafeldolgozott anyagok alkalmazása segít megelőzni a környezetszennyezést és csökkenti a nyersanyagszükségletet.

A helyi rendelkezések előírhatják az elektromos termékek háztartási hulladéktól elkülönített gyűjtését a helyi hulladékgyűjtő helyeken, illetve előírhatják, hogy a kereskedőnek kell gondoskodnia a termék visszavételéről új termék vásárlásakor.

A Black & Decker lehetőséget biztosít a Black & Decker termékek gyűjtésére és újrafeldolgozására, ha azok elérték élettartamuk végét. A szolgáltatás igénybevételéhez kérjük, vigye vissza a terméket bármely márkaszervizünkbe, ahol vállalatunk képviselőjében gondoskodnak annak elkülönített összegyűjtéséről.

Az Önhöz legközelebb eső hivatalos márkaszervizt a kézikönyvben megadott helyi Black & Decker képviselő segítségével érheti el. Alternatív megoldásként lásd a szerződött Black & Decker szervizek listáját, illetve az eladásutáni szolgáltatásaink elérhetőségének részletes ismertetését a következő internetes címen: [www.2helpU.com](http://www.2helpU.com).

## Akkumulátor



A Black & Decker akkumulátorokat számos alkalommal fel lehet tölteni. Hasznos élettartamuk végén a környezetvédelmi előírások betartásával selejtezze le őket.

- ◆ Merítse le teljesen az akkumulátort, majd válassza le a szerszámról.
- ◆ A NiCd, NiMH és Li-Ion cellák újrahasznosíthatóak. Adja le márkaszervizben vagy a helyi hulladékhasznosító telepen.

## Műszaki adatok

		EPC126 (H1)	EPC146 (H1)	EPC186 (H1)
Feszültség	V <sub>e.a.</sub>	12	14,4	18
Üresjárat fordulatszám	min <sup>-1</sup>	0-450/ 0-1 400	0-450/ 0-1 500	0-400/ 0-1 350
Maximális nyomaték	nm	18	20	25
Tokmány kapacitása	mm	10	10	10
Maximális fúrési kapacitás				
Fém/fa	mm	10/25	10/25	10/25

Akkumulátor	A12/A12E	A14/A14E	A18/A18E
Kapacitás	Ah 1,0	1,0	1,0
Típus	NiCd	NiCd	NiCd
Súly	kg 0,5	0,6	0,7

Akkumulátor	A12NH	A14NH	A18NH
Kapacitás	Ah 1,5	1,5	1,5
Típus	NiMH	NiMH	NiMH
Súly	kg 0,6	0,7	0,9

Töltő			
		90500843	90500844
		90500847	90500848
		90500855	90500856
		90500858	90500859
Bemeneti feszültség	V <sub>váltakozó</sub>	230-240	230-240
Leadott feszültség	V <sub>e.a.</sub>	14,5-15,3	17,4-18,2
Áramerősség	mA	210-220	200-210
Töltési idő (kb.)	h	8-10	8-10

		EPC128 (H1)	EPC148 (H1)	EPC188 (H1)
Feszültség	V <sub>e.a.</sub>	12	14,4	18
Üresjárat fordulatszám	min <sup>-1</sup>	0-450/ 0-1 400	0-450/ 0-1 500	0-400/ 0-1 350
Maximális nyomaték	nm	18	22	25
Tokmány kapacitása	mm	10	10	10
Maximális fúrési kapacitás				
Fém/fa	mm	10/25	10/25	10/25
Kőzet	mm	10	10	10

Akkumulátor	A12/A12E	A14/A14E	A18/A18E
Kapacitás	Ah 1,0	1,0	1,0
Típus	NiCd	NiCd	NiCd
Súly	kg 0,5	0,6	0,7

Akkumulátor	A12NH	A14NH	A18NH
Kapacitás	Ah 1,5	1,5	1,5
Típus	NiMH	NiMH	NiMH
Súly	kg 0,6	0,7	0,9

Töltő			
	90500843	90500844	90500845
	90500847	90500848	90500849
	90500855	90500856	90500857
	90500858	90500859	90500860
Bemeneti feszültség	$V_{\text{váltakozó}}$ 230-240	230-240	230-240
Leadott feszültség	$V_{\text{e.á}}$ 14,5-15,3	17,4-18,2	21,75-22,6
Áramerősség	mA 210-220	200-210	210-230
Töltési idő (kb.)	h 8-10	8-10	8-10

**Hangnyomásszint az EN 60745 szerint:**

Hangnyomás ( $L_{WA}$ ) 87 dB(A), toleranciafaktor (K) 3 dB(A)  
 Hangerő ( $L_{WA}$ ) 98 dB(A), toleranciafaktor (K) 3 dB(A)

**Vibrációs összérték (triax vektorösszeg) az EN 60745 szerint:**

Útvefűrés betonban ( $a_{h,10}$ ) 11,4 m/s<sup>2</sup>, toleranciafaktor (K) 1,5 m/s<sup>2</sup>,  
 Fűrés fémben ( $a_{h,10}$ ) < 2,5 m/s<sup>2</sup>, bizonytalanság (K) 1,5 m/s<sup>2</sup>,  
 Csavarozás ütés nélkül ( $a_{h,eq}$ ) < 2,5 m/s<sup>2</sup>, toleranciafaktor (K) 1,5 m/s<sup>2</sup>

**CE megfelelési nyilatkozat**

GÉPEK IRÁNYELV



**EPC126/EPC146/EPC186/ EPC148/EPC148/  
EPC188**

A Black & Decker nyilatkozik arról, hogy a „Műszaki adatok” részben ismertetett termékek megfelelnek a következő irányelveknek és szabványoknak:  
 2006/42/EK, EN 60745-1, EN 60745-2-1.

További információért forduljon a Black & Decker vállalathoz az alábbi címen, vagy a kézikönyv hátoldalán található elérhetőségeken.

Az aláírás tulajdonosa a műszaki adatok összeállításáért felelős személy; nyilatkozatát a Black & Decker vállalat nevében adja.

Kevin Hewitt  
 Alelnök, Global Engineering  
 Black & Decker Europe  
 210 Bath Road, Slough  
 Berkshire, SL1 3YD  
 Egyesült Királyság  
 13/07/2011

Az Önhöz legközelebb eső hivatalos márkaszerviz a kézikönyvben megadott helyi Black & Decker képviselő segítségével érheti el. Alternatív megoldásként a szerződött Black & Decker szervizek listája, illetve az eladásutáni szolgáltatásaink és ezek elérhetőségének részletes ismertetése a következő internetes címen érhető el: [www.2helpU.com](http://www.2helpU.com).

Kérjük, látogassa meg a [www.blackanddecker.hu](http://www.blackanddecker.hu) weboldalunkat, hogy regisztrálja az új Black & Decker termékét, ill. hogy megismerje az új termékeinkkel és egyedi ajánlatainkkal kapcsolatos legújabb híreinket. A Black & Decker márkával és termékválasztékunkkal kapcsolatos további tájékoztatást a [www.blackanddecker.hu](http://www.blackanddecker.hu) internetes címen találhat.

## Przeznaczenie

Opisywana wiertarko-wkrętarka Black & Decker EPC126/EPC146/EPC186 przeznaczona jest do wkręcania wkrętów i wiercenia w drewnie, metalu i tworzywach sztucznych.

Opisywana wiertarko-wkrętarka Black & Decker EPC128/EPC148/EPC188 przeznaczona jest do wkręcania wkrętów i wiercenia w drewnie, metalu, tworzywach sztucznych i miękkiego muru. Opisywane urządzenie przeznaczone jest wyłącznie do użytku amatorskiego.

## Zasady bezpiecznej pracy

**Ogólne wskazówki dotyczące bezpiecznej pracy elektronarzędziami**



**Uwaga! Należy zapoznać się ze wszystkimi ostrzeżeniami dotyczącymi bezpiecznej pracy oraz z instrukcją obsługi.** Nie stosowanie się do ostrzeżeń i zaleceń zawartych w tej instrukcji obsługi, może być przyczyną porażenia prądem elektrycznym, pożaru i/lub poważnego zranienia.

**Zachowaj wszystkie instrukcje i informacje dotyczące bezpiecznej pracy, aby móc korzystać z nich w przyszłości.** Pojęcie „elektronarzędzie” używane w niniejszej instrukcji, oznacza narzędzie zasilane z sieci elektrycznej (przewodem zasilającym) lub akumulatorami (bezp przewodowe).

### 1. Bezpieczeństwo w miejscu pracy

- a. **Miejsce pracy musi być czyste i dobrze oświetlone.** Miejsca ciemne i takie, w których panuje nieporządek stwarzają ryzyko wypadku.
  - b. **Nie wolno używać elektronarzędzi w strefach zagrożenia wybuchem, w pobliżu palnych cieczy gazów czy pyłów.** Elektronarzędzia mogą wytworzyć iskry powodujące zapłon pyłów lub oparów.
  - c. **W czasie pracy elektronarzędziami nie pozwalaj na przebywanie w pobliżu dzieci i innych osób postronnych.** Chwila nieuwagi może spowodować utratę kontroli nad narzędziem.
2. **Bezpieczna praca z elektrycznością**
- a. **Gniazdo musi być dostosowane do wtyczki elektronarzędzia. Nie wolno przerabiać wtyczek. Nie używaj żadnych łączników elektrycznych z uziemionymi elektronarzędziami. Nie przerabiane wtyczki**

i odpowiednie gniazda zmniejszają ryzyko porażenia prądem elektrycznym.

- b. **Należy unikać bezpośredniej styczności z uziemionymi lub zerowanymi powierzchniami, takimi jak rurociągi, grzejniki, kuchenki i lodówki.** Ryzyko porażenia prądem elektrycznym wzrasta, jeśli twoje ciało jest zerwane lub uziemione.
  - c. **Nie narażaj elektronarzędzi na działanie deszczu lub zwiększonej wilgotności.** Dostanie się wody do wnętrza elektronarzędzia zwiększa ryzyko porażenia prądem elektrycznym.
  - d. **Nie wolno ciągnąć za przewód zasilający. Nie wolno ciągnąć, podnosić ani wyciągać wtyczki z gniazda, poprzez ciągnięcie za przewód zasilający narzędzia. Chron przewód zasilający przed kontaktem z gorącymi elementami, olejami, ostrymi krawędziami i ruchomymi częściami.** Uszkodzenie lub zaplątanie przewodu zasilającego zwiększa ryzyko porażenia prądem elektrycznym.
  - e. **W czasie pracy elektronarzędziem poza pomieszczeniami zamkniętymi, należy używać przystosowanych do tego przedłużaczy.** Korzystanie z przedłużaczy przystosowanych do użycia na dworze, zmniejsza ryzyko porażenia prądem.
  - f. **Jeśli zachodzi konieczność używania narzędzia w wilgotnym otoczeniu, należy używać źródła zasilania zabezpieczonego wyłącznikiem różnicowoprądowym.** Stosowanie wyłączników różnicowoprądowych zmniejsza ryzyko porażenia prądem elektrycznym.
3. **Bezpieczeństwo osobiste**
- a. **W czasie pracy elektronarzędziem zachowaj czujność, patrz uważnie i kieruj się zdrowym rozsądkiem. Nie używaj elektronarzędzi, jeżeli jesteś zmęczony, pod wpływem narkotyków, alkoholu czy leków.** Nawet chwila nieuwagi, w czasie pracy elektronarzędziem, może doprowadzić do poważnego uszkodzenia ciała.
  - b. **Używaj środków ochrony osobistej. Zawsze zakładaj okulary ochronne.** Używanie, w miarę potrzeb, środków ochrony osobistej, takich jak maska przeciwpyłowa, buty ochronne z antypoślizgową podeszwą, kask czy ochrona słuchu, zmniejsza ryzyko odniesienia uszczerbku na zdrowiu.

- c. **Zapobiegaj przypadkowemu włączeniu.** Przed przyłączeniem do zasilania i/lub włożeniem akumulatorów oraz przed podniesieniem i przenoszeniem narzędzia, należy upewnić się, że wyłącznik znajduje się w pozycji „wyłączone“. Trzymanie palca na wyłączniku podczas przenoszenia lub włączania narzędzia, łatwo staje się przyczyną wypadków.
- d. **Przed włączeniem elektronarzędzia, usuń wszystkie klucze i narzędzia do regulacji.** Pozostawienie klucza lub narzędzia do regulacji połączonego z częściami wirującymi elektronarzędzia może spowodować uszkodzenie ciała.
- e. **Nie wychylaj się. Nie wychylaj się i przyjmij stabilną pozycję, aby zawsze zachowywać równowagę.** Pozwala to na lepszą kontrolę pracy urządzenia w nieprzewidzianych okolicznościach.
- f. **Założ odpowiedni strój. Nie noś luźnych ubrań ani biżuterii.** Trzymaj włosy, ubranie i rękawice z dala od ruchomych elementów. Luźne ubranie, biżuteria lub długie włosy mogą zostać pochwycone przez ruchome części.
- g. **Jeśli sprzęt jest przystosowany do przyłączenia urządzeń odprowadzających i zbierających pył, upewnij się, czy są one przyłączone i właściwie użytkowane.** Używanie takich urządzeń zmniejsza zagrożenia związane z obecnością pyłów.
4. **Obsługa i konserwacja elektronarzędzi**
- a. **Nie wolno przeciążać elektronarzędzi. Używaj elektronarzędzi odpowiednich do rodzaju wykonywanej pracy.** Dzięki odpowiednim elektronarzędziom wykonasz pracę lepiej i w sposób bezpieczny, w tempie, do jakiego narzędzie zostało zaprojektowane.
- b. **Nie wolno używać elektronarzędzia z zepsutym wyłącznikiem, który nie pozwala na sprawne włączanie i wyłączanie.** Elektronarzędzie, którego pracy nie można kontrolować wyłącznikiem, jest niebezpieczne i musi zostać naprawione.
- c. **Przed przystąpieniem do regulacji, wymiany akcesoriów oraz przed schowaniem elektronarzędzia, należy odłączyć wtyczkę od źródła zasilania i/ lub odłączyć akumulator od urządzenia.** Stosowanie takich środków zapobiegawczych zwiększa bezpieczeństwo i zmniejsza ryzyko przypadkowego uruchomienia elektronarzędzia.
- d. **Nie używane elektronarzędzie przechowuj poza zasięgiem dzieci i nie dopuszczaj osób nie znających elektronarzędzia lub tej instrukcji do posługiwania się elektronarzędziem.** Elektronarzędzia obsługiwane przez osoby nieprzygotowane stanowią zagrożenie.
- e. **Regularnie dokonuj konserwacji elektronarzędzi. Sprawdź, czy ruchome części są właściwie połączone i zamocowane, czy części nie są uszkodzone oraz skontroluj wszelkie inne elementy mogące mieć wpływ na pracę elektronarzędzia. Wszystkie uszkodzenia należy naprawić przed rozpoczęciem użytkowania.** Wiele wypadków spowodowanych jest przez niedostateczną konserwację elektronarzędzi.
- f. **Dbaj o czystość narzędzi i ostrość elementów tnących.** Zadbane narzędzia tnące, z ostrymi krawędziami tnącymi, rzadziej się zacinają i są łatwiejsze w prowadzeniu.
- g. **Elektronarzędzi, akcesoriów i końcówek itp., należy używać zgodnie z instrukcją obsługi, uwzględniając warunki i rodzaj wykonywanej pracy.** Użycie elektronarzędzi niezgodnie z przeznaczeniem może być bardzo niebezpieczne.
5. **Obsługa i konserwacja elektronarzędzi akumulatorowych**
- a. **Używaj wyłączanie ładowarki zalecanej przez producenta.** Użycie ładowarki do ładowania akumulatorów innych niż dołączone, może stać się przyczyną pożaru.
- b. **Do zasilania elektronarzędzi należy używać właściwych rodzajów akumulatorów.** Użycie innych akumulatorów stwarza ryzyko zranienia i pożaru.
- c. **Nie używane akumulatory należy przechowywać z dala od metalowych przedmiotów, takich jak spinacze biurowe, monety, klucze, gwoździe, wkręty, itp., które mogłyby doprowadzić do zwarcia biegunów.** Zwarcie biegunów może być przyczyną oparzenia lub pożaru.
- d. **W przypadku zniszczenia płyn może wypłynąć z akumulatora; W razie styczności, obficie przemywać wodą. W przypadku dostania się płynu do oczu, należy zgłosić się do lekarza.** Płyn wydostający się z akumulatorów może powodować podrażnienia lub oparzenia.

## 6. Serwis

- a. **Powierzaj naprawy elektronarzędzi wyłącznie osobom wykwalifikowanym, używającym identycznych części zamiennych.** Zapewni to bezpieczeństwo użytkownika naprawionego urządzenia.

### Bezpieczne użytkowanie elektronarzędzi - wskazówki dodatkowe



**Uwaga!** Dodatkowe wskazówki dotyczące bezpiecznej pracy wiertarkami i wiertarkami udarowymi

- ◆ **W czasie pracy wiertarką udarową należy stosować stopery do uszu.** Ekspozycja na hałas może powodować utratę słuchu.
- ◆ **Używaj dodatkowych uchwytów dołączonych do narzędzia.** Utrata kontroli nad narzędziem może spowodować uszkodzenie ciała.
- ◆ **W przypadku prac, w czasie których może dojść do przecięcia własnego lub ukrytych przewodów, należy trzymać urządzenie wyłącznie za izolowane uchwyty.** Przecięcie przewodu z prądem może spowodować pojawienie się napięcia na metalowych częściach obudowy i porażenie prądem operatora.
- ◆ **Trzymaj elektronarzędzie tylko za izolowane uchwyty, jeśli wykonujesz pracę w miejscu, gdzie może dojść do zetknięcia z ukrytymi przewodami.** Przecięcie przewodu z prądem może spowodować pojawienie się napięcia na metalowych częściach obudowy i porażenie prądem operatora.
- ◆ **Obrabiany element należy zamocować do blatu roboczego za pomocą zacisków lub innych praktycznych uchwytów.** Trzymanie obrabianego elementu w rękach lub oparcie go o ciało nie daje dostatecznej stabilizacji i może spowodować utratę kontroli nad narzędziem.
- ◆ **Przed rozpoczęciem wiercenia w ścianach, podłodze czy suficie, ustal położenie przewodów i rur.**
- ◆ **Nie dotykaj wiertła bezpośrednio po zakończeniu wiercenia, ponieważ może być ono bardzo rozgrzane.**
- ◆ **Opisywane urządzenie nie jest przeznaczone do użycia przez osoby o obniżonych możliwościach fizycznych, ruchowych lub umysłowych (także dzieci) lub o zbyt małej wiedzy i doświadczeniu, jeśli nie zostały one przeszkolone lub nie pozostają pod opieką osoby odpowiedzialnej za ich bezpieczeństwo.**

Należy pilnować dzieci, aby nie bawiły się urządzeniem.

- ◆ **Przeznaczenie urządzenia opisane jest w niniejszej instrukcji obsługi.** Używanie jakichkolwiek akcesoriów lub wykonywanie prac sprzecznych z przeznaczeniem opisywanym w instrukcji obsługi, może powodować niebezpieczeństwo uszkodzenia ciała i/lub uszkodzenia mienia.

### Drgania

Podawana w tabeli danych technicznych oraz w deklaracji zgodności z normami wartość drgań (wibracji), została zmierzona zgodnie ze standardową procedurą zawartą w normie EN 60745. Informacja ta może służyć do porównywania tego narzędzia z innymi. Deklarowana wartość emitowanych drgań może również służyć do przewidywania stopnia narażenia użytkownika na wibracje.

**Uwaga!** Chwilowa siła drgań, występująca w czasie pracy elektronarzędziem, może odbiegać od podawanych wartości, w zależności od sposobu użytkowania urządzenia. Poziom wibracji może przekroczyć podawaną wartość.

Przy określaniu ekspozycji na wibracje, w celu podjęcia środków ochrony osób zawodowo użytkujących elektronarzędzia zgodnie, z normą 2002/44/EC, należy uwzględnić rzeczywiste warunki i rodzaj wykonywanej pracy. Także okresy przestoju i pracy bez obciążenia.

### Symbole na urządzeniu

Na obudowie narzędzia umieszczono następujące piktogramy:



**Uwaga!** Aby zminimalizować ryzyko zranienia, użytkownik musi zapoznać się z instrukcją obsługi.

### Dodatkowe wskazówki dotyczące bezpiecznego użytkowania akumulatorów i ładowarek

#### Akumulatory

- ◆ **Pod żadnym pozorem nie wolno otwierać baterii.**
- ◆ **Nie wolno wystawiać akumulatorów na działanie wody.**
- ◆ **Nie wolno przechowywać w miejscach, w których temperatura może przekroczyć 40 °C.**
- ◆ **Ładować tylko w zakresie temperatur od 10 °C do 40 °C.**



- ◆ Do ładowania używać wyłącznie fabrycznie dołączonej ładowarki.
- ◆ Utylizację akumulatorów należy przeprowadzić zgodnie z instrukcją podaną w rozdziale „Protecting the environment (Ochrona środowiska)”.



Nie wolno ładować uszkodzonych akumulatorów.

### Ładowarki

- ◆ Posiadanej ładowarki Black & Decker należy używać wyłącznie do ładowania akumulatorów, z którymi została dostarczona. Ładowanie innych akumulatorów może spowodować ich rozsadzenie i być przyczyną zranienia oraz innych szkód.
- ◆ Nie wolno ładować baterii jednorazowego użytku, nie przeznaczonych do wielokrotnego ładowania.
- ◆ Wadliwe przewody zasilające należy natychmiast wymieniać.
- ◆ Nie wolno wystawiać ładowarki na działanie wody.
- ◆ Nie rozkręcać ładowarki.
- ◆ Nie podłączać do ładowarki mierników.



Ładowarka przeznaczona jest wyłącznie do użycia wewnątrz pomieszczeń zamkniętych.



Przed użyciem należy przeczytać instrukcję obsługi.



127°C



Ładowarka wyłącza się automatycznie, jeśli temperatura otoczenia jest zbyt wysoka. Bezpiecznik termiczny jest jednorazowy i po zadziałaniu musi zostać wymieniony na nowy.

### Ochrona przed porażeniem prądem elektrycznym



Ładowarka ma podwójną izolację, dlatego też przewód uziemiający nie jest potrzebny. Należy zawsze upewnić się, czy napięcie zasilania odpowiada napięciu podanemu na tabliczce znamionowej. Nigdy nie próbuj zastępować ładowarki zasilaniem sieciowym.

- ◆ Ze względów bezpieczeństwa wymianę uszkodzonego przewodu zasilającego należy powierzyć producentowi lub autoryzowanemu centrum serwisowemu Black & Decker.

### Wyposażenie

Opisywane narzędzie wyposażone jest w kilka lub wszystkie z poniższych elementów.

1. Wyłącznik z regulacją prędkości obrotowej
2. Przełącznik lewych / prawych obrotów
3. Przełącznik trybu / pierścień regulacji momentu obrotowego
4. Zacisk
5. Regulator prędkości
6. Uchwyt na końcówki
7. Akumulator

### Rys. A

8. Wtyczka ładowarki
9. Ładowarka
10. Gniazdo ładowarki

### Montaż

**Uwaga!** Przed montażem wyjąć akumulator z narzędzia.

### Wkładanie i wyjmowanie akumulatora (rys. B i C)

- ◆ W celu zamontowania akumulatora (7) ustawić go w gnieździe narzędzia. Wsunąć akumulator w gniazdo i wcisnąć aż do zablokowania akumulatora w zatrzasku.
- ◆ W celu wyjęcia akumulatora nacisnąć przycisk zwalnający (11) wyciągając jednocześnie akumulator z gniazda.

### Zakładanie zatyczki akumulatorów (rys. C)

**Uwaga!** Założyć zatyczkę (12) akumulatora (7) w celu transportu lub składowania.

### Montaż i demontaż gniazda wiertła lub śrubokręta (rys. D)

Narzędzie jest wyposażone w zacisk bezkluczowy, umożliwiający łatwą wymianę końcówek.

- ◆ Zablokować narzędzie ustawiając suwak obrotów do przodu/do tyłu (2) w położeniu środkowym.
- ◆ Otworzyć uchwyt odkręcając przednią część (13) i jednocześnie trzymając drugą ręką część tylną (14).
- ◆ Wsunąć trzonek wiertła (15) w uchwyt i mocno zacisnąć uchwyt.

Narzędzie jest dostarczane z dwukońcówkową końcówką śrubokrętową w uchwycie (6).

- ◆ W celu wyjęcia końcówki z uchwytu należy podważyć końcówkę w szczelinie.
- ◆ W celu ponownego umieszczenia końcówki należy ją silnie wcisnąć w szczelinę.



### Demontaż i wymiana uchwytu (rys. E)

- ◆ Maksymalnie otworzyć uchwyt.
- ◆ Wykręcić śrubokrętem śrubę mocującą uchwyt obracając ją w kierunku przeciwnym do ruchu wskazówek zegara.
- ◆ Wsunąć klucz sześciokątny do uchwytu i uderzyć młotkiem, jak pokazano na rysunku.
- ◆ Wyjąć klucz sześciokątny.
- ◆ Zdjąć uchwyt wykręcając go w kierunku odwrotnym do ruchu wskazówek zegara.
- ◆ Aby zamontować uchwyt, należy nakręcić go na wrzeciono i zabezpieczyć śrubą mocującą.

### Pozostałe zagrożenia.

W czasie pracy elektronarzędziem mogą powstać zagrożenia, które nie zostały uwzględnione w załączonej instrukcji dotyczącej bezpiecznego użytkowania. Zagrożenia te mogą wynikać z niewłaściwego użytkowania, zbyt intensywnej eksploatacji lub innych przyczyn.

Nawet w przypadku przestrzegania zasad bezpiecznej pracy i stosowania środków ochronnych, nie jest możliwe uniknięcie pewnych zagrożeń. Należą do nich:

- ◆ Zranienia wynikające z dotknięcia wirujących / ruchomych elementów.
- ◆ Zranienia w czasie wymiany części, ostrzy lub akcesoriów.
- ◆ Zranienia związane ze zbyt długotrwałym używaniem narzędzia. Pracując przez dłuższy czas, należy robić regularne przerwy.
- ◆ Ryzyko uszkodzenia słuchu.
- ◆ Zagrożenie dla zdrowia spowodowane wdychaniem pyłu wytwarzanego podczas użytkowania urządzenia (np.: podczas pracy w drewnie, szczególnie dębowym, bukowym oraz MDF).

### Eksploatacja

**Uwaga!** Uwzględnij tempo pracy urządzenia. Nie przeciążaj narzędzia.

**Uwaga!** Przed rozpoczęciem wiercenia w ścianach, podłodze czy suficie, ustal położenie przewodów i rur.

### Ładowanie akumulatorów (rys. A i F)

Akumulator należy naładować przed pierwszym użyciem oraz zawsze wtedy, gdy jego moc spada i jest niewystarczająca do wykonywania przeciętnych zadań. W przypadku ładowania akumulatorów po raz pierwszy oraz po dłuższym okresie nieużywania, osiągnane jest 80%

całkowitego poziomu naładowania. Po kilku cyklach ładowania i rozładowania, akumulator osiągnie pełną pojemność. W trakcie ładowania temperatura akumulatora może zwiększyć się, jest to zjawisko normalne i nie wskazuje na wystąpienie jakiegokolwiek problemu.

**Uwaga!** Nie wolno ładować akumulatorów przy temperaturze otoczenia poniżej 10 °C lub powyżej 40 °C. Zalecana temperatura ładowania: około 24 °C.

### Eksploatacja ładowarki

- ◆ W celu naładowania akumulatora (7) należy go wyjąć z narzędzia i nałożyć na niego gniazdo ładowarki (10).
  - ◆ Podłączyć ładowarkę (9).
- W trakcie ładowania temperatura akumulatora może zwiększyć się. Po około 3 godzinach ładowania akumulator osiągnie stopień naładowania wystarczający do wykorzystania go w normalnej eksploatacji. Po około 8-10 godzinach ładowania akumulator zostanie całkowicie naładowany.
- ◆ Zdjąć gniazdo ładowarki z akumulatora.

### Ładowanie za pomocą wtyczki ładowania

- ◆ W celu naładowania akumulatora upewnij się, że jest on podłączony do wiertarki.
  - ◆ Włóż wtyczkę ładowarki (8) do gniazda.
  - ◆ Podłączyć ładowarkę.
  - ◆ Włączyć główne zasilanie.
- Przy normalnej eksploatacji, ładowanie przez 3 godziny jest wystarczające do większości zastosowań. Dalsze ładowanie do 6 godzin może znacznie wydłużyć czas eksploatacji, w zależności od typu akumulatora oraz warunków jazdy.
- ◆ Odłącz narzędzie od ładowarki.

**Uwaga!** Nie eksploatować narzędzia w czasie jego podłączenia do ładowarki.


### Wybór kierunku obrotów (rys. G)

Do wiercenia i wkręcania wkrętów, należy ustawić prawe obroty (zgodnie z ruchem wskazówek zegara). Aby wykręcać wkręty lub wyjąć zakleszczone wiertło, należy używać lewych obrotów.


- ◆ Aby ustawić prawe obroty, należy przesunąć przełącznik przód/tył (2) w lewo.
- ◆ Aby ustawić lewe obroty, należy przesunąć przełącznik przód/tył w prawo.
- ◆ Aby zablokować narzędzie, należy ustawić przełącznik kierunku obrotów w pozycji środkowej.

## Wybór trybu pracy lub momentu obrotowego (rys. H)

Narzędzie jest wyposażone w pierścien służący do wyboru trybu pracy oraz do ustawienia momentu dokręcania śrub. Duże śruby oraz obrabiane elementy o dużej twardości wymagają zastosowania wyższego momentu niż mniejsze śruby oraz elementy z miękkiego materiału. Szeroki zakres regulacji pierścienia umożliwia wybór odpowiedniego momentu do szerokiego zakresu zastosowań.

- ◆ W przypadku wiercenia w drewnie, metalu oraz plastiku, ustawić pierścien (3) w położeniu wiercenia, to znaczy zrównać symbol  ze znakiem (16).
- ◆ W przypadku wkręcania śrub ustawić pierścien w żądanym położeniu. Jeżeli prawidłowe ustawienie nie jest znane, zastosować następującą procedurę:
  - Ustawić pierścien (3) w położeniu najniższego momentu.
  - Dokręcić pierwszą śrubę.
  - Jeżeli przed całkowitym dokręceniem śruby sprzęgło przeskoczyło, zwiększyć moment przez odpowiednie ustawienie pierścienia i dokręcić śrubę. Powtarzać ten krok aż do uzyskania odpowiedniego ustawienia. Wykorzystać tak ustalone ustawienie do dokręcenia pozostałych śrub.

## Wiercenie w murze (rys. H i I)

- ◆ W przypadku wiercenia w murze, ustawić pierścien (3) w położeniu wiercenia, to znaczy zrównać symbol  ze znakiem (16).
- ◆ Przesunąć regulator prędkości (5) w kierunku przedniej części narzędzia (2 bieg).

## Regulator prędkości (rys. I)

- ◆ W przypadku wiercenia w metalu oraz przykręcania, przesunąć regulator prędkości (5) w stronę tylnej części narzędzia (1 bieg).
- ◆ W przypadku wiercenia w innych materiałach niż stal, przesunąć regulator prędkości (5) w stronę przedniej części narzędzia (2 bieg).

## Wiercenie/wkręcanie

- ◆ Wybrać kierunek obrotów za pomocą przełącznika kierunku obrotów (2).
- ◆ Aby włączyć narzędzie, należy nacisnąć przełącznik (1). Prędkość obrotowa zależy od głębokości wciśnięcia przycisku.
- ◆ Aby wyłączyć narzędzie, należy zwolnić przełącznik.

## Wskazówki praktyczne

### Wiercenie

- ◆ W czasie wiercenia, wiertarkę należy trzymać w linii prostej i lekko dociskać.
- ◆ Tuż przed przejściem wiertła na drugą stronę wierzonego elementu, należy zmniejszyć nacisk.
- ◆ Materiał, który łatwo pęka, można podeprzeć od spodu drewnianym klockiem.
- ◆ Do wiercenia otworów o dużej średnicy w drewnie stosować wiertła łopatkowe.
- ◆ Do wiercenia w metalu stosować wiertła HSS.
- ◆ Do wiercenia w murze stosować wiertła do betonu.
- ◆ W trakcie wiercenia w metalu innym niż żeliwo oraz mosiądz stosować środki smarne.
- ◆ Aby zwiększyć dokładność, miejsca wiercenia można napunktować.

### Wkręcanie śrub

- ◆ Zawsze używaj właściwego typu i rozmiaru końcówek.
- ◆ Jeśli występują trudności z dokręceniem wkrętów, można spróbować nałożyć małą ilość płynu do zmywania lub mydła jako smaru.
- ◆ Dbaj o proste ustawienie wkrętaka, końcówki i wkrętu.

## Konserwacja

Narzędzia Black & Decker zostały zaprojektowane tak, aby zapewnić długoletnią, prawie bezobsługową, pracę urządzenia. Aby długo cieszyć się właściwą pracą urządzenia, należy odpowiednio z nim postępować i regularnie je czyścić.

Ładowarka nie wymaga, oprócz okresowego czyszczenia, żadnej dodatkowej konserwacji.

**Uwaga!** Przed przystąpieniem do konserwacji, należy wyjąć akumulator z narzędzia. Przed czyszczeniem wyjąć wtyczkę ładowarki z gniazda zasilającego.

- ◆ Otwory wentylacyjne w narzędziu i ładowarce należy okresowo czyścić przy użyciu miękkiej szczoteczki lub suchej szmatki.
- ◆ Regularnie czyść obudowę silnika wilgotną ściereczką. Nie używaj ściernych lub rozpuszczających środków czyszczących.
- ◆ Okresowo rozkręcaj szczęki zaciskowe i wytrępać z nich gromadzący się pył.

## Ochrona środowiska



Selektywna zbiórka odpadów. Opisywanego produktu nie wolno utylizować razem ze zwykłymi śmieciami z gospodarstw domowych.

Gdy okaże się, że konieczna jest wymiana posiadanego narzędzia Black & Decker lub nie będzie się go więcej używać, nie należy wyrzucać go razem ze śmieciami z gospodarstwa domowego. Należy przekazać produkt do punktu selektywnej zbiórki odpadów.



Selektywna zbiórka zużytych produktów i opakowań pozwala na powtórne wykorzystanie użytych materiałów. Powtórne użycie materiałów pomaga chronić środowisko naturalne przed zanieczyszczeniem i zmniejsza zapotrzebowanie na surowce.

Lokalne prawodawstwo może zapewniać możliwość selektywnej zbiórki zużytych sprzętów elektrycznych, poprzez pozostawienie ich w punktach na miejskich wysypiskach śmieci lub u sprzedawcy, przy zakupie nowego sprzętu.

Black & Decker zapewnia możliwość zbiórki i recyklingu swoich produktów po zakończeniu okresu eksploatacji. Aby skorzystać z tej możliwości, prosimy zwrócić się do jednego z Autoryzowanych Przedstawicieli Serwisowych, który odbierze je od Państwa w naszym imieniu.

Adres najbliższego autoryzowanego przedstawiciela serwisowego otrzymają Państwo kontaktując się z miejscowym biurem Black & Decker, którego adres podany jest w niniejszej instrukcji obsługi. Lista autoryzowanych przedstawicieli serwisowych oraz informacje na temat naszego serwisu posprzedażnego dostępne są również na stronie internetowej: [www.2helpU.com](http://www.2helpU.com).

## Akumulatory



Akumulatory firmy Black & Decker można ładować wielokrotnie. Po zakończeniu okresu eksploatacji należy je zutylizować w sposób bezpieczny dla środowiska naturalnego:

- ♦ Całkowicie wyczerp baterię i wyjmij ją z narzędzia.
- ♦ Akumulatory typu NiCd, NiMH oraz Li-Ion nadają się do recyklingu. Zanieś je do Autoryzowanego Serwisu lub miejscowego punktu recyklingu.

## Dane techniczne

		EPC126 (H1)	EPC146 (H1)	EPC186 (H1)
Napięcie	$V_{dc}$	12	14,4	18
Prędkość bez obciążenia	$min^{-1}$	0-450/ 0-1 400	0-450/ 0-1 500	0-400/ 0-1 350

Maksymalny moment obrotowy	Nm	18	20	25
Rozmiar uchwytu	mm	10	10	10
Maksymalna średnica wiercenia				
Stal/drewno	mm	10/25	10/25	10/25

Akumulator	A12/A12E	A14/A14E	A18/A18E
Pojemność	Ah 1,0	1,0	1,0
Typ	NiCd	NiCd	NiCd
Waga	kg 0,5	0,6	0,7

Akumulator	A12NH	A14NH	A18NH
Pojemność	Ah 1,5	1,5	1,5
Typ	NiMH	NiMH	NiMH
Waga	kg 0,6	0,7	0,9

## Ładowarka

		90500843	90500844	90500845
		90500847	90500848	90500849
		90500855	90500856	90500857
		90500858	90500859	90500860
Napięcie zasilania	$V_{ac}$	230-240	230-240	230-240
Napięcie wyjściowe	$V_{dc}$	14,5-15,3	17,4-18,2	21,75-22,6
Natężenie	mA	210-220	200-210	210-230
Przybliżony czas ładowania	h	8-10	8-10	8-10

		EPC128 (H1)	EPC148 (H1)	EPC188 (H1)
Napięcie	$V_{dc}$	12	14,4	18
Prędkość bez obciążenia	$min^{-1}$	0-450/ 0-1 400	0-450/ 0-1 500	0-400/ 0-1 350
Maksymalny moment obrotowy	Nm	18	22	25
Rozmiar uchwytu	mm	10	10	10
Maksymalna średnica wiercenia				
Stal/drewno	mm	10/25	10/25	10/25
Mur	mm	10	10	10

Akumulator	A12/A12E	A14/A14E	A18/A18E
Pojemność	Ah 1,0	1,0	1,0
Typ	NiCd	NiCd	NiCd
Waga	kg 0,5	0,6	0,7

Akumulator	A12NH	A14NH	A18NH
Pojemność	Ah 1,5	1,5	1,5
Typ	NiMH	NiMH	NiMH
Waga	kg 0,6	0,7	0,9

Ładowarka				
		90500843	90500844	90500845
		90500847	90500848	90500849
		90500855	90500856	90500857
		90500858	90500859	90500860
Napięcie zasilania	$V_{AC}$	230-240	230-240	230-240
Napięcie wyjściowe	$V_{DC}$	14,5-15,3	17,4-18,2	21,75-22,6
Natężenie	mA	210-220	200-210	210-230
Przybliżony czas ładowania	h	8-10	8-10	8-10

#### Poziom ciśnienia akustycznego zgodnie z EN 60745:

Ciśnienie akustyczne ( $L_{pA}$ ) 87 dB(A), niepewność (K) 3 dB(A)

Moc akustyczna ( $L_{WA}$ ) 98 dB(A), niepewność (K) 3 dB(A)

#### Sumaryczna wielkość drgań (suma wektorów trzech osi) zgodnie z normą EN 60745:

Wiercenie udarowe w betonie ( $a_{h,D}$ ) 11,4 m/s<sup>2</sup>,

niepewność (K) 1,5 m/s<sup>2</sup>, Wiercenie w metalu ( $a_{h,D}$ ) < 2,5 m/s<sup>2</sup>,

niepewność (K) 1,5 m/s<sup>2</sup>, Wkręcanie bez udaru ( $a_{h,S}$ ) < 2,5 m/s<sup>2</sup>,

niepewność (K) 1,5 m/s<sup>2</sup>

### Deklaracja zgodności UE

DYREKTYWA MASZYNOWA



**EPC126/EPC146/EPC186/ EPC148/EPC148/  
EPC188**

Firma Black & Decker oświadcza, że „dane techniczne“ opisywanych produktów spełniają wymagania norm: 2006/42/EC, EN 60745-1, EN 60745-2-1.

Aby otrzymać więcej informacji, należy skontaktować się z firmą Black & Decker pod adresem podanym poniżej lub na końcu instrukcji.

Osoba niżej podpisana odpowiedzialna jest za zestawienie informacji technicznych i złożenie deklaracji zgodności w imieniu firmy Black & Decker.

Kevin Hewitt  
Vice-President  
Global Engineering  
Black & Decker Europe  
210 Bath Road, Slough  
Berkshire, SL1 3YD  
Wielka Brytania  
13/07/2011

**Black & Decker****WARUNKI GWARANCJI:**

Produkty marki Black & Decker reprezentują bardzo wysoką jakość, dlatego oferujemy dla nich korzystne warunki gwarancyjne. Niniejsze warunki gwarancji nie pomniejszają praw klienta wynikających z polskich regulacji ustawowych lecz są ich uzupełnieniem. Gwarancja jest ważna na terenie Rzeczypospolitej Polskiej.

Black & Decker gwarantuje sprawne działanie produktu w przypadku postępowania zgodnego z warunkami techniczno-eksploatacyjnymi opisanymi w instrukcji obsługi.

Niniejszą gwarancją nie jest objęte dodatkowe wyposażenie, jeżeli nie została do niego dołączona oddzielna karta gwarancyjna oraz elementy wyrobu podlegające naturalnemu zużyciu.

1. Niniejszą gwarancją objęte są usterki produktu spowodowane wadami produkcyjnymi i wadami materiałowymi.
2. Niniejsza gwarancja jest ważna po przedstawieniu przez Klienta w Centralnym Serwisie Gwarancyjnym reklamowanego produktu oraz łącznie:
  - a) poprawnie wypełnionej karty gwarancyjnej;
  - b) ważnego paragonu zakupu z datą sprzedaży taką, jak w karcie gwarancyjnej lub kopii faktury.
3. Gwarancja obejmuje bezpłatną naprawę urządzenia (wraz z bezpłatną wymianą uszkodzonych części) w okresie 24 miesięcy od daty zakupu.
4. Produkt reklamowany musi być:
  - a) dostarczony bezpośrednio do Centralnego Serwisu Gwarancyjnego wraz z poprawnie wypełnioną Kartą Gwarancyjną i ważnym paragonem zakupu (lub kopią faktury) oraz szczegółowym opisem uszkodzenia, lub
  - b) przesłany do Centralnego Serwisu Gwarancyjnego za pośrednictwem punktu sprzedaży wraz z dokumentami wymienionymi powyżej.
5. Koszty wysyłki do Centralnego Serwisu Gwarancyjnego ponosi Serwis. Wszelkie koszty związane z zapewnieniem bezpiecznego opakowania, ubezpieczeniem i innym ryzykiem ponosi Klient. W przypadku odrzucenia roszczenia gwarancyjnego, produkt jest odsyłany do miejsca nadania na koszt adresata.
6. Usterki ujawnione w okresie gwarancji będą usunięte przez Centralny Serwis Gwarancyjny w terminie:
  - a) 14 dni roboczych od daty przyjęcia produktu przez Centralny Serwis Gwarancyjny;
  - b) termin usunięcia wady (punkt 6a) może być wydłużony o czas niezbędny do importu niezbędnych części zamiennych.
7. Klient otrzyma nowy sprzęt, jeżeli:
  - a) Centralny Serwis Gwarancyjny stwierdzi na piśmie, że usunięcie wady jest niemożliwe;
  - b) produkt nie podlega naprawie, tylko wymianie bez dokonywania naprawy.
8. O ile taki sam produkt jest nieosiągalny, może być wydany nowy produkt o nie gorszych parametrach.
9. Decyzja Centralnego Serwisu Gwarancyjnego odnośnie zasadności zgłaszanych usterek jest decyzją ostateczną.
10. Gwarancją nie są objęte:
  - a) wadliwe działanie lub uszkodzenia spowodowane niewłaściwym użytkowaniem lub użytkowaniem produktu niezgodnie z przeznaczeniem, instrukcją obsługi lub przepisami bezpieczeństwa. W szczególności profesjonalne użytkowanie amatorskich narzędzi Black & Decker powoduje utratę gwarancji;
  - b) wadliwe działanie lub uszkodzenia spowodowane przeciążaniem narzędzia, które prowadzi do uszkodzeń silnika, przekładni lub innych elementów a także stosowaniem osprzętu innego niż zalecany przez Black & Decker;
  - c) mechaniczne uszkodzenia produktu i wywołane nimi wady;
  - d) wadliwe działanie lub uszkodzenia na skutek działania pożaru, powodzi, czy też innych klęsk żywiołowych, nieprzewidzianych wypadków, korozji, normalnego zużycia w eksploatacji czy też innych czynników zewnętrznych;
  - e) produkty, w których naruszone zostały plomby gwarancyjne lub, które były naprawiane poza Centralnym Serwisem Gwarancyjnym lub były przerabiane w jakikolwiek sposób;
  - f) osprzęt eksploatacyjny dołączony do urządzenia oraz elementy ulegające naturalnemu zużyciu.
11. Centralny Serwis Gwarancyjny, firmy handlowe, które sprzedały produkt, nie udzielają upoważnień ani gwarancji innych niż określone w karcie gwarancyjnej. W szczególności nie obejmują prawa klienta do domagania się zwrotu utraconych zysków w związku z uszkodzeniem produktu.
12. Gwarancja nie wyłącza, nie ogranicza ani nie zawiesza uprawnień kupującego wynikających z niezgodności towaru z umową.

**Centralny Serwis Gwarancyjny ERPATECH**  
 ul. Bakaliowa 26, 05-080 Mościska  
 tel.: (22) 862-08-08, (22) 431-05-05  
 faks: (22) 862-08-09

## Použitie výrobku

Vaša akumulátorová vŕtačka/skrutkovač Black & Decker EPC126/EPC146/EPC186 je určená na skrútkovanie a vŕtanie do dreva, kovu a plastov.

Vaša vŕtačka/skrutkovač Black & Decker EPC128/EPC148/EPC188 je určená na skrútkovanie a vŕtanie do dreva, kovu, plastov a mäkkého muriva. Toto náradie je určené iba na spotrebiteľské použitie.

## Bezpečnostné pokyny

### Všeobecné bezpečnostné pokyny na prácu s elektrickým náradím



**Varovanie! Prečítajte si všetky bezpečnostné pokyny a bezpečnostné výstrahy.** Nedodržanie nižšie uvedených pokynov môže mať za následok úraz elektrickým prúdom, vznik požiaru alebo vážne poranenie.

**Všetky bezpečnostné varovania a pokyny uschovajte na prípadné ďalšie použitie.** Termín „elektrické náradie“ vo všetkých upozorneniach odkazuje na Vaše náradie napájané zo siete (je vybavené prírodným káblom) alebo náradie napájané akumulátorom (bez prírodného kábla).

#### 1. Bezpečnosť v pracovnom priestore

- a. **Pracovný priestor udržiavajte čistý a dobre osvetlený.** Preplnený a neosvetlený pracovný priestor môže viesť k spôsobeniu úrazov.
- b. **Nepracujte s elektrickým náradím vo výbušnom prostredí, ako sú napríklad priestory s výskytom horľavých kvapalín, plynov alebo prašných látok.** V elektrickom náradí dochádza k iskreniu, ktoré môže spôsobiť vznietenie horľavého prachu alebo výparov.
- c. **Pri práci s elektrickým náradím zaistite bezpečnú vzdialenosť detí a ostatných osôb.** Rozptyľovanie môže spôsobiť stratu kontroly nad náradím.

#### 2. Elektrická bezpečnosť

- a. **Zástrčka prírodného kábla náradia musí zodpovedať zásuvke. Zástrčku nikdy žiadnym spôsobom neupravujte. Nepoužívajte pri uzemnenom elektrickom náradí žiadne upravené zástrčky.** Neupravované zástrčky a zodpovedajúce zásuvky znižujú riziko vzniku úrazu elektrickým prúdom.

- b. **Nedotýkajte sa uzemnených povrchov, ako sú napríklad potrubia, radiátory, elektrické sporáky a chladničky.** Pri uzemnení Vášho tela narastá riziko úrazu elektrickým prúdom.
- c. **Nevystavujte elektrické náradie dažďu alebo vlhkému prostrediu.** Ak vnikne do elektrického náradia voda, zvýši sa riziko úrazu elektrickým prúdom.
- d. **S prírodným káblom zaobchádzajte opatrne. Nikdy nepoužívajte prírodný kábel na prenášanie alebo posúvanie náradia a neťahajte zaň, ak chcete náradie odpojiť od elektrickej siete. Zabráňte kontaktu kábla s masťnými, horúcimi a ostrými predmetmi alebo pohyblivými časťami.** Poškodený alebo zapletený prírodný kábel zvyšuje riziko vzniku úrazu elektrickým prúdom.
- e. **Pri práci s náradím vonku používajte predĺžovacie káble určené na vonkajšie použitie.** Použitie kábla na vonkajšie použitie znižuje riziko úrazu elektrickým prúdom.
- f. **Pri práci s elektrickým náradím vo vlhkom prostredí musí byť v napájacom okruhu použitý prúdový chránič (RCD).** Použitie prúdového chrániča (RCD) znižuje riziko úrazu elektrickým prúdom.

#### 3. Bezpečnosť obsluhy

- a. **Zostaňte stále pozorní, sledujte, čo robíte a pri práci s elektrickým náradím pracujte s rozvahou. Nepoužívajte elektrické náradie, ak ste unavení alebo ak ste pod vplyvom drog, alkoholu alebo liekov.** Chvilka nepozornosti pri práci s elektrickým náradím môže viesť k vážnemu úrazu.
- b. **Používajte prvky osobnej ochrany. Vždy používajte ochranu zraku.** Ochranné prostriedky ako respirátor, protišmyková pracovná obuv, prilba a chrániče sluchu, používané v príslušných podmienkach, znižujú riziko poranenia osôb.
- c. **Zabráňte náhodnému zapnutiu. Pred pripojením zdroja napätia alebo pred vložením batérie a pred zdvihnutím alebo prenášaním náradia skontrolujte, či je vypnutý hlavný vypínač.** Prenášanie elektrického náradia s prstom na hlavnom vypínači alebo pripojenie prírodného kábla k elektrickej sieti, ak je hlavný vypínač náradia v polohe zapnuté, môže spôsobiť úraz.
- d. **Pred zapnutím náradia sa vždy uistite, či nie sú v jeho blízkosti kľúče alebo nastavovacie prostriedky.** Nastavovacie kľúče ponechané na náradí môžu byť



zachytené rotujúcimi časťami náradia a môžu spôsobiť úraz.

- e. **Neprekážajte sami sebe. Pri práci vždy udržiajte vhodný a pevný postoj.** Tak je umožnená lepšia ovládateľnosť náradia v neočakávaných situáciách.
- f. **Vhodne sa obliekajte. Nenoste voľný odev alebo šperky. Dbajte na to, aby sa Vaše vlasy, odev a rukavice nedostali do kontaktu s pohyblivými časťami.** Voľné šaty, šperky alebo dlhé vlasy môžu byť pohyblivými dielmi zachytené.
- g. **Ak sú zariadenia vybavené adaptérom na pripojenie zariadenia na zachytávanie prachu, zaistíte jeho správne pripojenie a riadnu funkciu.** Použitie týchto zariadení môže znížiť nebezpečenstvo týkajúce sa prachu.
4. **Použitie elektrického náradia a jeho údržba**
  - a. **Nepretťažujte elektrické náradie. Používajte správny typ náradia na vykonávanú prácu.** Pri použití správneho typu náradia bude práca vykonávaná lepšie a bezpečnejšie.
  - b. **Ak nie je možné hlavný vypínač náradia zapnúť a vypnúť, s náradím nepracujte.** Každé elektrické náradie s nefunkčným hlavným vypínačom je nebezpečné a musí sa opraviť.
  - c. **Pred nastavovaním náradia, pred výmenou príslušenstva alebo ak náradie nepoužívate, odpojte zástrčku prírodného kábla od zásuvky alebo z náradia vyberte akumulátor.** Tieto preventívne bezpečnostné opatrenia znižujú riziko náhodného zapnutia náradia.
  - d. **Uložte elektrické náradie mimo dosahu detí a nedovoľte ostatným osobám, ktoré toto náradie nevedia ovládať alebo ktoré nepoznajú tieto bezpečnostné pokyny, aby s týmto elektrickým náradím pracovali.** Elektrické náradie je v rukách nekvalifikovanej obsluhy nebezpečné.
  - e. **Vykonávajte údržbu elektrického náradia. Skontrolujte vychýlenie alebo zablokovanie pohyblivých častí, poškodenie jednotlivých dielov a iné okolnosti, ktoré môžu ovplyvniť chod náradia. Ak je náradie poškodené, nechajte ho pred použitím opraviť.** Veľa nehôd býva spôsobených zanedbanou údržbou náradia.
  - f. **Rezné nástroje udržiajte ostré a čisté.** Riadne udržiavané rezné nástroje s ostrými reznými čepeľami sú menej náchylné na zanášanie nečistotami a lepšie sa ovládajú.

- g. **Používajte elektrické náradie, príslušenstvo a držiaky nástrojov podľa týchto pokynov a berte do úvahy prevádzkové podmienky a prácu, ktorá bude vykonávaná.** Použitie elektrického náradia na iné účely, než na aké je určené, môže byť nebezpečné.

## 5. Použitie akumulátorového náradia a jeho údržba

- a. **Nabíjajte iba v nabíjačke určenej výrobcom.** Nabíjačka určená pre určitý druh akumulátora môže byť nebezpečná pri nabíjaní iného typu akumulátora.
- b. **Používajte elektrické náradie výhradne s akumulátormi, ktoré sú určené pre daný typ náradia.** Použitie iných typov akumulátorov môže spôsobiť vznik požiaru alebo zranenie.
- c. **Ak sa akumulátor nepoužíva, uložte ho mimo dosahu kovových predmetov, ako sú kancelárske sponky na papier, mince, kľúče, klinec, skrutky alebo ďalšie drobné kovové predmety, ktoré môžu spôsobiť skratovanie kontaktov akumulátora.** Skratovanie kontaktov akumulátora môže viesť k vzniku spálenín alebo požiaru.
- d. **V nevhodných podmienkach môže z akumulátora unikať kvapalina. Vyvarujte sa kontaktu s touto kvapalinou. Ak sa kvapalinou náhodne zasiahnete, zasiahnuté miesto umyte vodou. Ak sa Vám dostane kvapalina do očí, zasiahnuté miesto umyte a vyhľadajte lekársku pomoc.** Unikajúca kvapalina z akumulátora môže spôsobiť podráždenie pokožky alebo popáleniny.

## 6. Opravy

- a. **Zverte opravu Vášho elektrického náradia iba osobe s príslušnou kvalifikáciou, ktorá bude používať výhradne originálne náhradné diely.** Tým zaistíte bezpečnú prevádzku náradia.

## Doplnkové bezpečnostné pokyny na prácu s elektrickým náradím



**Varovanie!** Doplnkové bezpečnostné pokyny pre vŕtačky a príklepové vŕtačky

- ♦ **Pri vŕtaní s príklepom použite vhodnú ochranu sluchu.** Nadmerná hlučnosť môže spôsobiť stratu sluchu.
- ♦ **Používajte prídavné rukoväti dodávané s náradím.** Strata kontroly nad náradím môže viesť k úrazu.



- ♦ **Pri pracovných operáciách, pri ktorých by mohlo dôjsť ku kontaktu so skrytými vodičmi alebo s vlastným prívodným káblom, držte elektrické náradie vždy za izolované rukoväti.** Pri kontakte pracovného nástroja so „živým“ vodičom spôsobia neizolované kovové časti náradia obsluhu úraz elektrickým prúdom.
- ♦ **Pri pracovných operáciách, pri ktorých by mohlo dôjsť ku kontaktu so skrytými vodičmi, držte elektrické náradie vždy za izolované časti.** Montážne prvky, ktoré sa dostanú do kontaktu so „živým“ vodičom, spôsobia, že neizolované kovové časti elektrického náradia budú tiež „živé“, čo môže obsluhu spôsobiť úraz elektrickým prúdom.
- ♦ **Na zaistenie a upnutie obrobku k pracovnému stolu používajte svorky alebo iné vhodné prostriedky.** Držanie obrobku rukou alebo opretie obrobku o časť tela nezaistí jeho stabilitu a môže viesť k strate kontroly.
- ♦ Pred vŕtaním do stien, podláh alebo stropov zistite polohu elektrických vedení a potrubia.
- ♦ Ihneď po ukončení vŕtania sa nedotýkajte vŕtáka, pretože môže byť horúci.
- ♦ Toto náradie nie je určené na použitie osobami (vrátane detí) so zníženými fyzickými, zmyslovými alebo duševnými schopnosťami, alebo s nedostatkom skúseností a znalostí, ak týmto osobám nebol stanovený dohľad, alebo ak im neboli poskytnuté inštrukcie týkajúce sa použitia tohto výrobku osobou zodpovednou za ich bezpečnosť. Deti by mali byť pod dozorom, aby sa s náradím nehrali.
- ♦ Určené použitie tohto výrobku je opísané v tomto návode. Použitie iného príslušenstva alebo prídavného zariadenia a vykonávanie iných pracovných operácií s týmto náradím, než je odporúčané týmto návodom, môže spôsobiť poranenie obsluhy alebo poškodenie zariadenia.

### Vibrácie

Deklarovaná úroveň vibrácií uvedená v technických údajoch a vo vyhlásení o zhode bola meraná v súlade so štandardnou skúšobnou metódou predpísanou normou EN 60745 a môže sa použiť na porovnanie jednotlivých náradí medzi sebou. Deklarovaná úroveň vibrácií sa môže tiež použiť na predbežné stanovenie času práce s týmto náradím.

**Varovanie!** Úroveň vibrácií pri aktuálnom použití elektrického náradia sa môže od deklarovanej

úrovne vibrácií líšiť v závislosti od spôsobu použitia náradia. Úroveň vibrácií môže byť vzhľadom na uvedenú hodnotu vyššia.

Pri stanovení času pôsobenia vibrácií, z dôvodu určenia bezpečnostných opatrení podľa normy 2002/44/EC na ochranu osôb pravidelne používajúcich elektrické náradie v zamestnaní, by mal predbežný odhad pôsobenia vibrácií brať na zreteľ aktuálne podmienky použitia náradia s prihliadnutím na všetky časti pracovného cyklu, ako sú časy, keď je náradie vypnuté a keď beží naprázdno.

### Štítky na náradí

Na náradí sú nasledujúce piktogramy:



**Varovanie!** Z dôvodu zníženia rizika spôsobenia úrazu si používateľ musí prečítať tento návod na obsluhu.

### Ďalšie bezpečnostné pokyny pre akumulátory a nabíjačky

#### Akumulátor

- ♦ Nikdy sa nepokúšajte narušiť obal akumulátora.
- ♦ Zabráňte kontaktu akumulátorov s vodou.
- ♦ Neskladujte akumulátory na miestach, kde môže teplota presiahnuť 40 °C.
- ♦ Nabíjajte akumulátory iba pri teplotách v rozsahu od 10 do 40 °C.
- ♦ Nabíjajte iba nabíjačkou dodanou s náradím.
- ♦ Pri likvidácii akumulátorov sa riaďte pokynmi uvedenými v časti „Ochrana životného prostredia“.



Nepokúšajte sa nabíjať poškodené akumulátory.

#### Nabíjačky

- ♦ Používajte nabíjačku Black & Decker iba na nabíjanie akumulátora, ktorý bol dodaný s náradím. Ostatné akumulátory môžu prasknúť, spôsobiť poranenie alebo iné škody.
- ♦ Nikdy sa nepokúšajte nabíjať akumulátory, ktoré nie sú na nabíjanie určené.
- ♦ Poškodené káble ihneď vymeňte.
- ♦ Zabráňte kontaktu nabíjačky s vodou.
- ♦ Nesnažte sa vniknúť pod kryt nabíjačky.
- ♦ Nepokúšajte sa nabíjačku skúmať.




Táto nabíjačka nie je určená na vonkajšie použitie.



Pred použitím si pozorne prečítajte tento návod.



-  Ak je okolitá teplota príliš vysoká, nabíjačka sa automaticky vypne. Tepelná poisťka proti preťaženiu je účinná iba raz a potom musí byť vymenená.

### Elektrická bezpečnosť



Táto nabíjačka je vybavená dvojitou izoláciou. Preto nie je nutné použitie uzemňovacieho vodiča. Vždy skontrolujte, či napätie v elektrickej sieti zodpovedá napätiu, ktoré je uvedené na výkonovom štítku. Nikdy sa nepokúšajte nahradiť nabíjačku priamym pripojením k zásuvke elektrického prúdu.

- ♦ Ak je poškodený prírodný kábel, musí byť vymenený výrobcom alebo v autorizovanom servise Black & Decker, aby sa zabránilo možným rizikám.

### Popis

Toto náradie sa skladá z niektorých alebo zo všetkých nasledujúcich častí.

1. Vypínač s plynulou reguláciou otáčok
2. Prepínač chodu
3. Volič režimu / objímka na nastavenie uťahovacieho momentu
4. Skľučovadlo
5. Volič otáčok
6. Držiak nástrojov
7. Akumulátor

### Obr. A

8. Kolíkový konektor nabíjačky
9. Nabíjačka
10. Úložný priestor pre akumulátory

### Zostavenie

**Varovanie!** Pred zostavením vyberte z náradia akumulátor.

### Nasadenie a vybratie akumulátora (obr. B a C)

- ♦ Ak chcete akumulátor (7) nasadiť, zarovnajtie ho s miestom jeho uloženia na náradí. Zasuňte akumulátor do náradia a zatlačte naň tak, aby došlo k jeho riadnemu usadeniu.
- ♦ Ak chcete akumulátor vybrať, stlačte uvoľňovacie tlačidlo (11) a súčasne vysúvajte akumulátor z náradia.

### Upevnenie krytu akumulátora (obr. C)

**Varovanie!** Pri preprave a skladovaní upevnite na akumulátor (7) kryt (12).

### Upnutie a vybratie vrtáka alebo skrutkovacieho nástavca (obr. D)

Toto náradie je vybavené rýchloupínacím skľučovadlom, ktoré uľahčuje výmenu nástrojov.

- ♦ Ak chcete náradie zablokovať, nastavte prepínač pre pravý / ľavý chod do stredovej polohy (2).
- ♦ Pri otváraní skľučovadla jednou rukou otáčajte jeho prednou časťou (13) a druhou rukou pridržujte jeho zadnú časť (14).
- ♦ Zasuňte do skľučovadla upínaciu stopku nástroja (15) a skľučovadlo pevne dotiahnite.

Toto náradie sa dodáva s obojstranným skrutkovacím nástavcom, ktorý je umiestnený v držiaku nástrojov (6).

- ♦ Skrutkovací nástavec vyberte z držiaka nástrojov vysunutím.
- ♦ Skrutkovací nástavec uložte do držiaka riadnym zatlačením.

### Odobratie a nasadenie skľučovadla (obr. E)

- ♦ Čo najviac rozovrite čeluste skľučovadla.
- ♦ Pomocou skrutkovača vyskrutkujte v smere pohybu hodinových ručičiek zaistovaciú skrutku skľučovadla.
- ♦ Upnite do skľučovadla šesťhranný kľúč a udríte doň kladivom ako na uvedenom obrázku.
- ♦ Vyberte šesťhranný kľúč zo skľučovadla.
- ♦ Vyskrutkujte skľučovadlo otáčaním proti smeru pohybu hodinových ručičiek.
- ♦ Ak chcete skľučovadlo nasadiť späť, naskrutkujte ho na hriadeľ a zaistíte ho zaistovacou skrutkou.

### Zvyškové riziká.

Ak sa náradie používa iným spôsobom, než je uvedené v priložených bezpečnostných varovaniach, môžu sa objaviť dodatočné zvyškové riziká. Tieto riziká môžu vzniknúť v dôsledku nesprávneho použitia, dlhodobého použitia atď.

Napriek tomu, že sa dodržiavajú príslušné bezpečnostné predpisy a používajú sa bezpečnostné zariadenia, určité zvyškové riziká sa nemôžu vylúčiť. Tieto riziká sú nasledujúce:

- ♦ **Zranenia spôsobené kontaktom s akoukoľvek rotujúcou alebo pohybujúcou sa časťou.**
- ♦ **Zranenia spôsobené pri výmene dielov, pracovného nástroja alebo príslušenstva.**
- ♦ **Zranenia spôsobené dlhodobým použitím náradia. Ak používate akékoľvek náradie dlhší čas, zaistite, aby sa robili pravidelné prestávky.**
- ♦ **Poškodenie sluchu.**

- ♦ **Zdravotné riziká spôsobené vdychovaním prachu vytváraného pri použití náradia (príklad: - práca s drevom, najmä s dubovým, bukovým a MDF).**

### Použitie

**Varovanie!** Nechajte náradie pracovať jeho vlastným tempom. Zamedzte preťažovaniu náradia.

**Varovanie!** Pred vrtaním do stien, podláh alebo stropov zistite polohu elektrických vedení a vodovodných, plynových alebo iných potrubí.

### Nabíjanie akumulátora (obr. A a F)

Akumulátor musí byť nabitý pred prvým použitím a vždy, keď dôjde k výraznému poklesu jeho výkonu. Ak nabíjate akumulátor prvýkrát alebo po dlhodobom uskladnení, dôjde k jeho nabitíu zhruba na 80 % celkovej kapacity. Akumulátor dosiahne plnú kapacitu až po niekoľkých cykloch nabitia a vybitia. Akumulátor sa môže počas nabíjania zahrievať. Ide o normálny stav, ktorý neznamená žiadny problém.

**Varovanie!** Nenabíjajte akumulátor, ak klesne okolitá teplota pod 10 °C alebo ak presiahne 40 °C. Odporúčaná teplota prostredia na nabíjanie: približne 24 °C.

### Použitie nabíjačky

- ♦ Ak chcete nabiť akumulátor (7), vyberte ho z náradia a nasuňte lôžko nabíjačky (10) na akumulátor.
- ♦ Pripojte nabíjačku (9) k sieti. Pri nabíjaní dochádza k zahrievaniu akumulátora. Približne po 3 hodinách nabíjania bude akumulátor dostatočne nabitý na bežné použitie. Približne po 8 až 10 hodinách nabíjania bude akumulátor celkom nabitý.
- ♦ Odoberte lôžko nabíjačky z akumulátora.

### Nabíjačka s kolíkovým konektorom

- ♦ Ak chcete akumulátor nabiť, skontrolujte, či je riadne nasadený na vrtačke.
- ♦ Zasuňte kolíkový konektor (8) do zdiery.
- ♦ Pripojte nabíjačku k sieti.
- ♦ Zapnite.

Po normálnom použití poskytnete nabíjací čas v trvaní 3 hodín dostatočný výkon pre väčšinu aplikácií. No dlhšie nabíjanie v trvaní až 6 hodín by mohlo značne predĺžiť prevádzkový čas náradia, v závislosti od akumulátora a prevádzkových podmienok.

- ♦ Odpojte náradie od nabíjačky.

**Varovanie!** Nepoužívajte náradie, ktoré je pripojené k nabíjačke.


### Voľba smeru otáčania (obr. G)

Pri vrtaní a ťahovaní skrutiek používajte otáčanie smerom dopredu (v smere pohybu hodinových ručičiek). Na povoľovanie skrutiek a uvoľňovanie zablokovaných vrtákov používajte ľavý chod (proti smeru pohybu hodinových ručičiek).


- ♦ Ak chcete zvoliť pravý chod, zatlačte prepínač pre chod (2) doľava.
- ♦ Ak chcete zvoliť ľavý chod, zatlačte prepínač pre chod doprava.
- ♦ Ak chcete náradie zablokovať, nastavte prepínač pre chod do stredovej polohy.

### Voľba pracovného režimu alebo ťahovacieho momentu (obr. H)

Toto náradie je vybavené objímkou pre voľbu pracovného režimu a pre nastavenie momentu pri ťahovaní skrutiek. Skrutky s veľkým rozmerom a obrobky z tvrdých materiálov vyžadujú nastavenie vyššej hodnoty momentu než malé skrutky a mäkké materiály. Objímka poskytuje široké rozpätie hodnôt momentu podľa vašich potrieb.

- ♦ Pre vrtanie do dreva, kovu a plastov nastavte objímku (3) do polohy pre vrtanie zarovnaním symbolu  so značkou (16).
- ♦ Pri skrutkovaní nastavte objímku na požadovanú hodnotu momentu. Ak nepoznáte ešte vhodné nastavenie, postupujte nasledovne:
  - Nastavte objímku (3) na najmenšiu hodnotu momentu.
  - Utiahnite prvú skrutku.
  - Ak začne spojka pred dosiahnutím požadovaného výsledku preklzávať, zväčšite hodnotu momentu nastavením objímky do ďalšej polohy a pokračujte v ťahovaní skrutky. Opakujte tento postup, kým nedosiahnete požadované nastavenie. Použite toto nastavenie aj na dotiahnutie zostávajúcich skrutiek.

### Vítanie do muriva (obr. H a I)

- ♦ Ak chcete vrtáť do muriva, nastavte objímku (3) do polohy pre vrtanie s príklepom zarovnaním symbolu  so značkou (16).
- ♦ Nastavte volič otáčok (5) smerom k prednej časti náradia (2. prevodový stupeň).

### Volič otáčok (obr. I)

- ♦ Pre vrtanie do ocele a pre skrutkovanie nastavte volič otáčok (5) smerom k zadnej časti náradia (1. prevodový stupeň).

- ◆ Pre vrtanie do iných materiálov než je oceľ nastavte volič otáčok (5) smerom k prednej časti náradia (2. prevodový stupeň).

## Vrtanie/skrutkovanie

- ◆ Pomocou prepínača pre chod (2) zvolte smer otáčania vpred alebo vzad.
- ◆ Ak chcete náradie zapnúť, stlačte vypínač (1). Otáčky náradia závisia od intenzity stlačenia tohto vypínača.
- ◆ Ak chcete náradie vypnúť, uvoľnite vypínač.

## Rady na optimálne použitie

### Vrtanie

- ◆ Vždy vyvíjajte mierny tlak v osi vrtáka.
- ◆ Tesne pred preniknutím špičky vrtáka druhou stranou obrobku zmenšíte tlak vyvíjaný na náradie.
- ◆ Aby pri prieniku vrtáka nedochádzalo k tvorbe triesok na povrchu obrobku, podložte obrobok kúskom dreva.
- ◆ Pri vrtaní otvorov do dreva, ktoré majú väčší priemer, používajte ploché vrtáky do dreva.
- ◆ Pri vrtaní do kovu používajte vrtáky z rýchloreznej ocele (HSS).
- ◆ Pri vrtaní do muriva použite vrtáky do muriva.
- ◆ Ak nevrtáte do liatiny alebo do mosadze, používajte pri vrtaní kovov mazivo.
- ◆ Pre zvýšenie presnosti vrtania si vždy uprostred diery, ktorú chcete vrtáť, vytvorte na povrchu obrobku pomocou priebojníka vodiacu značku.

### Skrutkovanie

- ◆ Vždy používajte správny typ a veľkosť skrutkovacieho násadca.
- ◆ Ak sa nedajú skrutky správne pritiahnuť, použite ako mazivo malé množstvo saponátu alebo mydlového roztoku.
- ◆ Vždy držte náradie so skrutkovacím násadcom v jednej osi so skrutkou.

## Údržba

Vaše náradie Black & Decker bolo skonštruované tak, aby pracovalo dlhý čas s minimálnymi nárokmi na údržbu. Riadna starostlivosť o náradie a jeho pravidelné čistenie Vám zaisťujú jeho bezproblémový chod.

Vaša nabíjačka nevyžaduje žiadnu údržbu okrem pravidelného čistenia.

**Varovanie!** Pred akoukoľvek údržbou vyberte z náradia akumulátor. Pred čistením nabíjačky odpojte nabíjačku od siete.

- ◆ Vetracie otvory náradia a nabíjačky pravidelne čistite mäkkou kefou alebo suchou handričkou.
- ◆ Pomocou vlhkej handričky pravidelne čistite kryt motora. Nepoužívajte žiadne abrazívne čistiace prostriedky alebo rozpúšťadlá.
- ◆ Pravidelne otvárajte skľučovadlo a poklepaním odstráňte prach z vnútornej časti náradia.

## Ochrana životného prostredia



Triedte odpad. Tento výrobok sa nesmie vyhodiť do bežného domového odpadu.

Ak nebudete výrobok Black & Decker ďalej používať alebo ak si ho prajete nahradiť novým, nelikvidujte ho spolu s bežným komunálnym odpadom. Zlikvidujte tento výrobok v triedenom odpade.



Triedený odpad umožňuje recykláciu a opätovné využitie použitých výrobkov a obalových materiálov. Opätovné použitie recyklovaných materiálov pomáha chrániť životné prostredie pred znečistením a znižuje spotrebu surovín.

Pri kúpe nových výrobkov Vám predajne, miestne zberne odpadov alebo recyklačné stanice poskytnú informácie o správnej likvidácii elektroodpadov z domácnosti.

Spoločnosť Black & Decker poskytuje službu zberu a recyklácie výrobkov Black & Decker po skončení ich prevádzkovej životnosti. Ak chcete získať výhody tejto služby, odovzdajte, prosím, Váš výrobok ktorémukoľvek autorizovanému zástupcovi servisu, ktorý náradie odoberie a zaistí jeho recykláciu.

Miesto najbližšieho autorizovaného servisu Black & Decker nájdete na príslušnej adrese uvedenej v tomto návode. Zoznam autorizovaných servisov Black & Decker a podrobnosti o popredajnom servise nájdete aj na internetovej adrese: [www.2helpU.com](http://www.2helpU.com).

## Akumulátor



Akumulátory Black & Decker je možné mnohokrát opakovane nabíjať. Po ukončení životnosti ich likvidujte tak, aby nedošlo k ohrozeniu životného prostredia:

- ◆ Nechajte náradie v chode, kým nedôjde k úplnému vybitiu akumulátora a potom ho vyberte z náradia.

- ♦ Akumulátory typu NiCd, NiMH a Li-Ion je možné recyklovať. Odovzdajte ich v autorizovanom servise alebo do miestnej zberne, kde budú recyklované alebo zlikvidované tak, aby nedošlo k ohrozeniu životného prostredia.

**Technické údaje**

		EPC126 (H1)	EPC146 (H1)	EPC186 (H1)
Napájacie napätie	$V_{DC}$	12	14,4	18
Otáčky naprázdno	$\text{min}^{-1}$	0-450/	0-450/	0-400/
		0-1 400	0-1 500	0-1 350
Max. moment	Nm	18	20	25
Maximálny priemer skľučovadla	mm	10	10	10
Maximálny priemer vrtáka pri vŕtaní				
Oceľ/drevo	mm	10/25	10/25	10/25

Akumulátor	A12/A12E	A14/A14E	A18/A18E
Kapacita	Ah 1,0	1,0	1,0
Typ	NiCd	NiCd	NiCd
Hmotnosť	kg 0,5	0,6	0,7

Akumulátor	A12NH	A14NH	A18NH
Kapacita	Ah 1,5	1,5	1,5
Typ	NiMH	NiMH	NiMH
Hmotnosť	kg 0,6	0,7	0,9

**Nabíjačka**

		90500843	90500844	90500845
		90500847	90500848	90500849
		90500855	90500856	90500857
		90500858	90500859	90500860
Napájacie napätie	$V_{AC}$	230-240	230-240	230-240
Výstupné napätie	$V_{DC}$	14,5-15,3	17,4-18,2	21,75-22,6
Prúd	mA	210-220	200-210	210-230
Približný čas nabíjania	hod.	8-10	8-10	8-10

		EPC128 (H1)	EPC148 (H1)	EPC188 (H1)
Napájacie napätie	$V_{DC}$	12	14,4	18
Otáčky naprázdno	$\text{min}^{-1}$	0-450/	0-450/	0-400/
		0-1 400	0-1 500	0-1 350
Max. moment	Nm	18	22	25
Maximálny priemer skľučovadla	mm	10	10	10
Maximálny priemer vrtáka pri vŕtaní				
Oceľ/drevo	mm	10/25	10/25	10/25
Murivo	mm	10	10	10

Akumulátor	A12/A12E	A14/A14E	A18/A18E
Kapacita	Ah 1,0	1,0	1,0
Typ	NiCd	NiCd	NiCd
Hmotnosť	kg 0,5	0,6	0,7

Akumulátor	A12NH	A14NH	A18NH
Kapacita	Ah 1,5	1,5	1,5
Typ	NiMH	NiMH	NiMH
Hmotnosť	kg 0,6	0,7	0,9

**Nabíjačka**

		90500843	90500844	90500845
		90500847	90500848	90500849
		90500855	90500856	90500857
		90500858	90500859	90500860
Napájacie napätie	$V_{AC}$	230-240	230-240	230-240
Výstupné napätie	$V_{AC}$	14,5-15,3	17,4-18,2	21,75-22,6
Prúd	mA	210-220	200-210	210-230
Približný čas nabíjania	hod.	8-10	8-10	8-10

**Hladina akustického tlaku podľa normy EN 60745:**Akustický tlak ( $L_{PA}$ ) 87 dB(A), odchýlka (K) 3 dB(A)Akustický výkon ( $L_{WA}$ ) 98 dB(A), odchýlka (K) 3 dB(A)**Celková úroveň vibrácií (priestorový vektorový súčet) podľa normy EN 60745:**Príklepové vŕtanie do betónu ( $a_{h,D}$ ) 11,4  $\text{m/s}^2$ , odchýlka (K) 1,5  $\text{m/s}^2$ ,Vŕtanie do kovu ( $a_{h,D}$ ) < 2,5  $\text{m/s}^2$ , odchýlka (K) 1,5  $\text{m/s}^2$ ,Skrutkovanie bez rázov ( $a_{h,D}$ ) < 2,5  $\text{m/s}^2$ , odchýlka (K) 1,5  $\text{m/s}^2$ **ES Vyhlásenie o zhode v rámci EÚ**  
SMERNICA PRE STROJOVÉ ZARIADENIA**EPC126/EPC146/EPC186/ EPC148/EPC148/ EPC188**

Spoločnosť Black & Decker vyhlasuje, že tieto produkty popisované v technických údajoch spĺňajú požiadavky nasledujúcich noriem: 2006/42/EC, EN 60745-1, EN 60745-2-1.

Ak chcete získať ďalšie informácie, kontaktujte, prosím, spoločnosť Black & Decker na tejto adrese alebo na adresách, ktoré sú uvedené na konci tohto návodu.

Nižšie podpísaná osoba je zodpovedná za zostavenie technických údajov a vydáva toto vyhlásenie v zastúpení spoločnosti Black & Decker.

Kevin Hewitt  
Viceprezident pre spotrebiteľskú techniku  
Black & Decker Europe  
210 Bath Road, Slough  
Berkshire, SL1 3YD  
United Kingdom  
13/07/2011

## Záruka

Spoločnosť Black & Decker je presvedčená o kvalite svojich výrobkov a ponúka mimoriadnu záruku. Táto záruka je ponúkaná v prospech zákazníka a nijako neovplyvní jeho zákonné záručné práva. Táto záruka platí vo všetkých členských štátoch EÚ a v Európskej zóne voľného obchodu EFTA.

Ak sa objavia na výrobku Black & Decker v priebehu 24 mesiacov od kúpy akékoľvek materiálové či výrobné chyby, spoločnosť Black & Decker garantuje v snahe o minimalizovanie Vašich starostí bezplatnú výmenu chybných dielov, opravu alebo výmenu celého výrobku za nižšie uvedených podmienok:

- ◆ Výrobok sa nepoužíval na obchodné alebo profesionálne účely a nedochádzalo k jeho prenájmu.
- ◆ Výrobok nebol vystavený nesprávnemu použitiu a nebola zanedbaná jeho predpísaná údržba.
- ◆ Výrobok nebol poškodený cudzím zavinením.
- ◆ Opravy nevykonávali iné osoby, než autorizovaní opravári alebo mechanici autorizovaného servisu Black & Decker.

Ak požadujete záručnú opravu, budete musieť predajcovi alebo zástupcovi autorizovaného servisu predložiť doklad o kúpe výrobku. Miesto najbližšieho autorizovaného servisu Black & Decker nájdete na príslušnej adrese uvedenej v tomto návode. Zoznam autorizovaných servisov Black & Decker a podrobnosti o popredajnom servise nájdete aj na internetovej adrese: **[www.2helpU.com](http://www.2helpU.com)**.

Navštívte, prosím, našu internetovú stránku **[www.blackanddecker.sk](http://www.blackanddecker.sk)**, aby ste mohli zaregistrovať Váš nový výrobok Black & Decker a kde budete informovaní o našich nových výrobkoch a špeciálnych ponukách. Na adrese **[www.blackanddecker.sk](http://www.blackanddecker.sk)** sú k dispozícii ďalšie informácie o značke Black & Decker a o celom rade našich ďalších výrobkov.



## Назначение

Ваша аккумуляторная дрель/шуруповерт Black & Decker EPC126/EPC146/EPC186 предназначена для сверления отверстий и заворачивания саморезов в древесине, металле и пластмассе.

Ваша аккумуляторная дрель/шуруповерт Black & Decker EPC128/EPC148/EPC188 предназначена для сверления отверстий и заворачивания саморезов в древесине, металле, пластмассе и легком бетоне. Данный инструмент предназначен только для использования в домашних условиях.

## Инструкции по технике безопасности

### Общие правила безопасности при работе с электроинструментами



**Внимание! Внимательно прочтите все инструкции по безопасности и руководство по эксплуатации.** Несоблюдение всех перечисленных ниже правил безопасности и инструкций может привести к поражению электрическим током, возникновению пожара и/или получению тяжелой травмы.

Сохраните все инструкции по безопасности и руководство по эксплуатации для их дальнейшего использования. Термин «Электроинструмент» во всех приведенных ниже указаниях относится к Вашему сетевому (с кабелем) электроинструменту или аккумуляторному (беспроводному) электроинструменту.

1. **Безопасность рабочего места**
  - a. **Содержите рабочее место в чистоте и обеспечьте хорошее освещение.** Плохое освещение или беспорядок на рабочем месте может привести к несчастному случаю.
  - b. **Не используйте электроинструменты, если есть опасность возгорания или взрыва, например, вблизи легко воспламеняющихся жидкостей, газов или пыли.** В процессе работы электроинструмент создает искровые разряды, которые могут воспламенить пыль или горючие пары.
  - c. **Во время работы с электроинструментом не подпускайте близко детей или**

**посторонних лиц.** Отвлечение внимания может вызвать у Вас потерю контроля над рабочим процессом.

### 2. **Электробезопасность**

- a. **Вилка кабеля электроинструмента должна соответствовать штепсельной розетке. Ни в коем случае не видоизменяйте вилку электрического кабеля. Не используйте соединительные штепсели-переходники, если в силовом кабеле электроинструмента есть провод заземления.** Использование оригинальной вилки кабеля и соответствующей ей штепсельной розетки уменьшает риск поражения электрическим током.
- b. **Во время работы с электроинструментом избегайте физического контакта с заземленными объектами, такими как трубопроводы, радиаторы отопления, электроплиты и холодильники.** Риск поражения электрическим током увеличивается, если Ваше тело заземлено.
- c. **Не используйте электроинструмент под дождем или во влажной среде.** Попадание воды в электроинструмент увеличивает риск поражения электрическим током.
- d. **Бережно обращайтесь с электрическим кабелем. Ни в коем случае не используйте кабель для переноски электроинструмента или для вытягивания его вилки из штепсельной розетки. Не подвергайте электрический кабель воздействию высоких температур и смазочных веществ; держите его в стороне от острых кромок и движущихся частей электроинструмента.** Поврежденный или запутанный кабель увеличивает риск поражения электрическим током.
- e. **При работе с электроинструментом на открытом воздухе используйте удлинительный кабель, предназначенный для наружных работ.** Использование кабеля, пригодного для работы на открытом воздухе, снижает риск поражения электрическим током.
- f. **При необходимости работы с электроинструментом во влажной среде используйте источник питания, оборудованный устройством защитного отключения (УЗО).** Использование УЗО снижает риск поражения электрическим током.



3. Личная безопасность

- a. При работе с электроинструментами будьте внимательны, следите за тем, что Вы делаете, и руководствуйтесь здравым смыслом. Не используйте электроинструмент, если Вы устали, а также находясь под действием алкоголя или понижающих реакцию лекарственных препаратов и других средств. Малейшая неосторожность при работе с электроинструментами может привести к серьезной травме.
- b. При работе используйте средства индивидуальной защиты. Всегда надевайте защитные очки. Своевременное использование защитного снаряжения, а именно: пылезащитной маски, ботинок на нескользящей подошве, защитного шлема или противошумных наушников, значительно снизит риск получения травмы.
- c. Не допускайте непреднамеренного запуска. Перед тем, как подключить электроинструмент к сети и/или аккумулятору, поднять или перенести его, убедитесь, что выключатель находится в положении «выключено». Не переносите электроинструмент с нажатой кнопкой выключателя и не подключайте к сетевой розетке электроинструмент, выключатель которого установлен в положение «включено», это может привести к несчастному случаю.
- d. Перед включением электроинструмента снимите с него все регулировочные или гаечные ключи. Регулировочный или гаечный ключ, оставленный закрепленным на вращающейся части электроинструмента, может стать причиной тяжелой травмы.
- e. Работайте в устойчивой позе. Всегда твердо стойте на ногах, сохраняя равновесие. Это позволит Вам не потерять контроль при работе с электроинструментом в непредвиденной ситуации.
- f. Одевайтесь соответствующим образом. Во время работы не надевайте свободную одежду или украшения. Следите за тем, чтобы Ваши волосы, одежда или перчатки находились в постоянном отдалении от движущихся частей инструмента. Свободная одежда, украшения или длинные волосы могут попасть в движущиеся части инструмента.

- g. Если электроинструмент снабжен устройством сбора и удаления пыли, убедитесь, что данное устройство подключено и используется надлежащим образом. Использование устройства пылеудаления значительно снижает риск возникновения несчастного случая, связанного с запыленностью рабочего пространства.
4. Использование электроинструментов и технический уход
- a. Не перегружайте электроинструмент. Используйте Ваш инструмент по назначению. Электроинструмент работает надежно и безопасно только при соблюдении параметров, указанных в его технических характеристиках.
  - b. Не используйте электроинструмент, если его выключатель не устанавливается в положение включения или выключения. Электроинструмент с неисправным выключателем представляет опасность и подлежит ремонту.
  - c. Отключайте электроинструмент от сетевой розетки и/или извлекайте аккумулятор перед регулированием, заменой принадлежностей или при хранении электроинструмента. Такие меры предосторожности снижают риск случайного включения электроинструмента.
  - d. Храните неиспользуемые электроинструменты в недоступном для детей месте и не позволяйте лицам, не знакомым с электроинструментом или данными инструкциями, работать с электроинструментом. Электроинструменты представляют опасность в руках неопытных пользователей.
  - e. Регулярно проверяйте исправность электроинструмента. Проверяйте точность совмещения и легкость перемещения подвижных частей, целостность деталей и любых других элементов электроинструмента, воздействующих на его работу. Не используйте неисправный электроинструмент, пока он не будет полностью отремонтирован. Большинство несчастных случаев являются следствием недостаточного технического ухода за электроинструментом.
  - f. Следите за остротой заточки и чистотой режущих принадлежностей.

Принадлежности с острыми кромками позволяют избежать заклинивания и делают работу менее утомительной.

- g. **Используйте электроинструмент, аксессуары и насадки в соответствии с данным Руководством и с учетом рабочих условий и характера будущей работы.** Использование электроинструмента не по назначению может создать опасную ситуацию.
- 5. **Использование аккумуляторных инструментов и технический уход**
- a. **Заряжайте аккумулятор зарядным устройством указанной производителем марки.** Зарядное устройство, которое подходит к одному типу аккумуляторов, может создать риск возгорания в случае его использования с аккумуляторами другого типа.
- b. **Используйте электроинструменты только с предназначенными для них аккумуляторами.** Использование аккумулятора какой-либо другой марки может привести к возникновению пожара и получению травмы.
- c. **Держите не используемый аккумулятор подальше от металлических предметов, таких как скрепки, монеты, ключи, гвозди, шурупы, и других мелких металлических предметов, которые могут замкнуть контакты аккумулятора.** Короткое замыкание контактов аккумулятора может привести к получению ожогов или возникновению пожара.
- d. **В критических ситуациях из аккумулятора может вытечь жидкость (электролит); избегайте контакта с кожей. Если жидкость попала на кожу, смойте ее водой. Если жидкость попала в глаза, обращайтесь за медицинской помощью.** Жидкость, вытекшая из аккумулятора, может вызвать раздражение или ожоги.
- 6. **Техническое обслуживание**
- a. **Ремонт Вашего электроинструмента должен производиться только квалифицированными специалистами с использованием идентичных запасных частей.** Это обеспечит безопасность Вашего электроинструмента в дальнейшей эксплуатации.

## Дополнительные меры безопасности при работе с электроинструментами



**Внимание!** Дополнительные меры безопасности при работе дрелями и ударными дрелями

- ♦ **При работе ударными дрелями всегда надевайте противозумные наушники.** Воздействие шума может привести к потере слуха.
- ♦ **При работе пользуйтесь дополнительными рукоятками, прилагающимися к инструменту.** Потеря контроля над инструментом может привести к тяжелой травме.
- ♦ **Держите инструмент за изолированные ручки при выполнении операций, во время которых режущий инструмент может соприкоснуться со скрытой проводкой или собственным кабелем.** Контакт режущей принадлежности с находящимся под напряжением проводом делает не покрытые изоляцией металлические части электроинструмента «живыми», что создает опасность поражения оператора электрическим током.
- ♦ **Держите инструмент за изолированные ручки при выполнении операций, во время которых крепежная деталь может соприкоснуться со скрытой проводкой.** Контакт крепежных элементов с находящимся под напряжением проводом делает не покрытые изоляцией металлические части электроинструмента «живыми», что создает опасность поражения оператора электрическим током.
- ♦ **Используйте струбцины или другие приспособления для фиксации обрабатываемой детали, устанавливая их только на неподвижной поверхности.** Если держать обрабатываемую деталь руками или с упором в собственное тело, то можно потерять контроль над инструментом или обрабатываемой деталью.
- ♦ **Прежде чем сверлить отверстия в стенах, полах или потолках, проверьте наличие электропроводки и трубопроводов.**
- ♦ **Не дотрагивайтесь до наконечника сверла сразу же после окончания сверления, так как он может быть горячим.**
- ♦ **Использование инструмента физически или умственно неполноценными людьми, а также детьми и неопытными лицами допускается только под контролем**

ответственного за их безопасность лица. Не позволяйте детям играть с электроинструментом.

- ◆ Назначение инструмента описывается в данном руководстве по эксплуатации. Использование любых принадлежностей или приспособлений, а также выполнение данным инструментом любых видов работ, не рекомендованных данным руководством по эксплуатации, может привести к несчастному случаю и/или повреждению личного имущества.

### Вибрация

Значения уровня вибрации, указанные в технических характеристиках инструмента и декларации соответствия, были измерены в соответствии со стандартным методом определения вибрационного воздействия согласно EN 60745 и могут использоваться при сравнении характеристик различных инструментов. Приведенные значения уровня вибрации могут также использоваться для предварительной оценки величины вибрационного воздействия.

**Внимание!** Значения вибрационного воздействия при работе с электроинструментом зависят от вида работ, выполняемых данным инструментом, и могут отличаться от заявленных значений. Уровень вибрации может превышать заявленное значение.

При оценке степени вибрационного воздействия для определения необходимых защитных мер (2002/44/ЕС) для людей, использующих в процессе работы электроинструменты, необходимо принимать во внимание действительные условия использования электроинструмента, учитывая все составляющие рабочего цикла, в том числе время, когда инструмент находится в выключенном состоянии, и время, когда он работает без нагрузки, а также время его запуска и отключения.

### Маркировка инструмента

На инструменте имеются следующие знаки:



**Внимание!** Полное ознакомление с руководством по эксплуатации снизит риск получения травмы.

### Дополнительные меры безопасности при работе с аккумуляторами и зарядными устройствами

#### Аккумуляторы

- ◆ Ни в коем случае не пытайтесь разобрать аккумулятор.
- ◆ Не погружайте аккумулятор в воду.
- ◆ Не храните в местах, где температура может превысить 40 °С.
- ◆ Заряжайте аккумулятор только при температуре окружающей среды в пределах 10 °С - 40 °С.
- ◆ Заряжайте только зарядными устройствами, входящими в комплект поставки электроинструмента.
- ◆ Утилизируйте отработанные аккумуляторы, следуя инструкциям раздела «Защита окружающей среды».



Ни в коем случае не пытайтесь заряжать поврежденный аккумулятор!

#### Зарядные устройства

- ◆ Используйте Ваше зарядное устройство Black & Decker только для зарядки аккумулятора электроинструмента, в комплект поставки которого он входит. Аккумуляторы других марок могут взорваться, что приведет к получению травмы или повреждению электроинструмента.
- ◆ Ни в коем случае не пытайтесь зарядить батарейки питания.
- ◆ Немедленно заменяйте поврежденный сетевой кабель.
- ◆ Не погружайте зарядное устройство в воду.
- ◆ Не разбирайте зарядное устройство.
- ◆ Не используйте зарядное устройство в качестве объекта для проведения испытаний.



Зарядное устройство предназначено только для использования внутри помещений.



Перед началом работы внимательно прочтите руководство по эксплуатации.



Зарядное устройство автоматически выключается, если температура окружающей среды становится слишком высокой. Термовыключатель срабатывает только один раз, после чего его требуется полностью заменить.

## Электробезопасность



Ваше зарядное устройство защищено двойной изоляцией, исключающей потребность в заземляющем проводе. Всегда проверяйте, соответствует ли напряжение, указанное на табличке с техническими параметрами, напряжению электросети. Ни в коем случае не пытайтесь заменить зарядный блок стандартным сетевым штепселем.

- ♦ Во избежание несчастного случая, замена поврежденного кабеля питания должна производиться только на заводе-изготовителе или в авторизованном сервисном центре Black & Decker.

## Составные части

Ваш электроинструмент может содержать все или некоторые из перечисленных ниже составных частей:

1. Клавиша пускового выключателя с регулировкой скорости
2. Переключатель направления вращения (реверса)
3. Муфта выбора режима работы/установки крутящего момента
4. Зажимной патрон
5. Переключатель скоростей
6. Держатель насадок
7. Аккумулятор

### Рис. А

8. Штекер зарядного устройства
9. Зарядное устройство
10. Гнездо зарядного устройства

## Сборка

**Внимание!** Перед сборкой извлеките из инструмента аккумулятор.

### Установка и извлечение аккумулятора (Рис. В и С)

- ♦ Чтобы вставить аккумулятор (7), совместите его с приёмным гнездом на инструменте. Вдвиньте аккумулятор в приёмное гнездо и нажимайте на него, пока он не зафиксируется на месте.
- ♦ Для извлечения аккумулятора нажмите на кнопку фиксатора (11), одновременно вынимая аккумулятор из приёмного гнезда.

### Установка крышки аккумулятора (Рис. С)

**Внимание!** При переноске или хранении аккумулятора (7) всегда устанавливайте крышку (12).

### Установка и снятие сверла или отверточной насадки (Рис. D)

Данный инструмент оснащен быстрозажимным патроном, позволяющим производить смену сверл и отверточных насадок легко и быстро.

- ♦ Заблокируйте инструмент, передвинув переключатель реверса (2) в среднее положение.
- ♦ Раскройте патрон, одной рукой поворачивая его переднюю часть (13), а другой придерживая заднюю часть (14).
- ♦ Вставьте в патрон хвостовик насадки (15) и надежно затяните патрон.

Данная дрель поставляется с двухсторонней отверточной насадкой, находящейся в держателе (6).

- ♦ Для извлечения отверточной насадки, вытяните ее из гнезда держателя.
- ♦ Для размещения отверточной насадки, вдавите ее в гнездо держателя.

### Снятие и установка зажимного патрона (Рис. E)

- ♦ Максимально раскройте зажимной патрон.
- ♦ Выньте стопорный винт, открутив его по часовой стрелке с помощью отвертки.
- ♦ Зажмите в патроне ключ-шестигранник и ударьте по нему молотком, как показано на рисунке.
- ♦ Выньте ключ.
- ♦ Снимите зажимной патрон, поворачивая его в направлении против часовой стрелки.
- ♦ Чтобы установить патрон, привинтите его на шпindel и закрепите с помощью стопорного винта.

## Остаточные риски

При работе с данным инструментом возможно возникновение дополнительных остаточных рисков, которые не вошли в описанные здесь правила техники безопасности. Эти риски могут возникнуть при неправильном или продолжительном использовании изделия и т.п.

Несмотря на соблюдение соответствующих инструкций по технике безопасности и использование предохранительных устройств, некоторые остаточные риски невозможно полностью исключить. К ним относятся:

- ♦ **Травмы в результате касания вращающихся/двигающихся частей инструмента.**
- ♦ **Риск получения травмы во время смены деталей электроинструмента, пильных дисков или насадок.**

- ◆ Риск получения травмы, связанный с продолжительным использованием инструмента. При использовании инструмента в течение продолжительного периода времени делайте регулярные перерывы в работе.
- ◆ Ухудшение слуха.
- ◆ Ущерб здоровью в результате вдыхания пыли в процессе работы с электроинструментом (например, при распиле древесины, в особенности, дуба, бука и ДВП.)

### Эксплуатация

**Внимание!** Не форсируйте рабочий процесс. Избегайте перегрузки электроинструмента.

**Внимание!** Прежде чем сверлить отверстия в стенах, полах или потолках, проверьте наличие электропроводки и трубопроводов.

### Зарядка аккумулятора (Рис. А и F)

Аккумулятор нуждается в зарядке перед первым использованием и если он не обеспечивает достаточную мощность для работ, которые ранее выполнялись легко и быстро. Если аккумулятор заряжается в первый раз или после длительного хранения, его емкость после полной зарядки составит только 80% от номинальной. Аккумулятор достигнет полной емкости только после нескольких циклов зарядки/разрядки. В процессе зарядки аккумулятор может слегка нагреться. Это нормально и не указывает на наличие какой-либо проблемы.

**Внимание!** Не заряжайте аккумулятор при температуре окружающей среды ниже 10 °С или выше 40 °С. Рекомендуемая температура зарядки: приблизительно 24 °С.

### Использование зарядного устройства

- ◆ Чтобы зарядить аккумулятор (7), извлеките его из инструмента и надвиньте на него гнездо зарядного устройства (10).
  - ◆ Подсоедините зарядное устройство (9) к сетевой розетке.
- В процессе зарядки аккумулятор нагревается. После приблизительно 3-х часовой зарядки аккумулятор пригоден для нормальной эксплуатации. Приблизительно через 8-10 часов зарядки аккумулятор будет полностью заряжен.
- ◆ Снимите гнездо зарядного устройства с аккумулятора.

### Зарядное устройство со штепселем

- ◆ Перед зарядкой аккумулятора, убедитесь, что он установлен в дрели.
- ◆ Вставьте штепсель (8) зарядного устройства в соединительный разъем.
- ◆ Подсоедините зарядное устройство к сетевой розетке.
- ◆ Включите электропитание. Обычно трехчасовой цикл зарядки достаточен для выполнения инструментом большинства видов работ с эффективным уровнем мощности. Однако дальнейшая зарядка до 6 часов может значительно увеличить рабочий цикл в зависимости от типа аккумулятора и уровня заряда.
- ◆ Отсоедините инструмент от зарядного устройства.

**Внимание!** Всегда отсоединяйте инструмент от зарядного устройства перед работой.


### Выбор направления вращения (Рис. G)

Выполняйте сверление и заворачивание саморезов, установив направление вращения вперед (по часовой стрелке). Для выкручивания саморезов или извлечения заклинившего сверла, устанавливайте реверс (вращение против часовой стрелки).

- ◆ Для установки вращения вперед сдвиньте переключатель направления вращения (2) влево.
- ◆ Для установки реверса сдвиньте переключатель направления вращения вправо.
- ◆ Для блокировки электроинструмента, установите переключатель реверса в среднее положение.

### Выбор режима работы или крутящего момента (Рис. H)

Данная дрель оборудована муфтой для установки режима работы и крутящего момента при заворачивании саморезов. Большие шурупы и твердые обрабатываемые заготовки требуют большего крутящего момента, чем маленькие шурупы и заготовки из мягких материалов. Муфта имеет большой диапазон установок, что позволяет с достаточной точностью выбирать необходимый режим работы для каждой отдельной операции.

- ◆ Для сверления древесины, металла и пластмасс, установите муфту (3) на позицию сверления, совместив символ  с меткой (16).

- ◆ Для заворачивания саморезов, установите муфту в нужное положение. Если Вы еще не достаточно овладели процессом регулирования, поступайте следующим образом:
  - Установите муфту (3) на позицию минимального крутящего момента.
  - Заверните первый шуруп.
  - Если муфта немедленно пробуксовывает, установите муфту регулировки на большую величину крутящего момента и продолжайте заворачивание. Повторяйте это действие, пока не будет определена правильная величина крутящего момента. Используйте эту величину при заворачивании последующих шурупов.

#### Сверление стеновых материалов (Рис. Н и I)

- ◆ Для сверления стеновых материалов, установите муфту (3) на позицию сверления с ударом, совместив символ **T** с меткой (16).
- ◆ Передвиньте вперед переключатель скоростей (5) (2-я скорость).

#### Переключатель скоростей (Рис. I)

- ◆ Для сверления стали и заворачивания саморезов передвиньте переключатель скоростей (5) назад (1-я скорость).
- ◆ Для сверления прочих материалов, кроме стали, передвиньте переключатель скоростей (5) вперед (2-я скорость).

#### Сверление/Заворачивание

- ◆ Выберите направление вращения при помощи переключателя (2).
- ◆ Чтобы включить инструмент, нажмите на клавишу пускового выключателя (1). Скорость инструмента зависит от глубины нажатия клавиши выключателя.
- ◆ Чтобы выключить инструмент, отпустите клавишу пускового выключателя.

#### Рекомендации по оптимальному использованию

##### Сверление

- ◆ Всегда прикладывайте давление по прямой линии со сверлом.
- ◆ На выходе сверла из просверливаемой заготовки, постепенно уменьшайте прилагаемое к сверлу усилие.
- ◆ Если заготовка может расколоться, подложите под нее деревянный брусок.
- ◆ Для высверливания отверстий крупного диаметра в древесине используйте долотчатые сверла.

- ◆ Для сверления в металле используйте сверла из быстрорежущей стали (HSS).
- ◆ Для сверления стеновых материалов используйте буры для камня.
- ◆ При сверлении металла, кроме чугуна и латуни, используйте смазочно-охлаждающие жидкости.
- ◆ Разметьте место сверления с помощью кернера, чтобы гарантировать точность расположения отверстия.

#### Заворачивание

- ◆ Всегда используйте отверточную насадку соответствующего типа и размера.
- ◆ Если шурупы заворачиваются с трудом, попробуйте нанести небольшое количество моющего средства или мыла в качестве смазки.
- ◆ Всегда держите инструмент и отверточную насадку по прямой линии с шурупом.

#### Техническое обслуживание

Ваш инструмент Black & Decker рассчитан на работу в течение продолжительного времени при минимальном техническом обслуживании. Срок службы и надежность инструмента увеличивается при правильном уходе и регулярной чистке.

Ваше зарядное устройство не требует никакого дополнительного технического обслуживания, кроме регулярной чистки.

**Внимание!** Перед любыми видами работ по техническому обслуживанию вынимайте из инструмента аккумулятор. Перед чисткой зарядного устройства отключите его от источника питания.

- ◆ Регулярно очищайте вентиляционные отверстия инструмента и зарядного устройства мягкой щеткой или сухой тканью.
- ◆ Регулярно очищайте корпус двигателя влажной тканью. Не используйте абразивные чистящие средства, а также чистящие средства на основе растворителей.
- ◆ Регулярно раскрывайте патрон и вытряхивайте из него всю накопившуюся пыль.

#### Защита окружающей среды



Раздельный сбор. Данное изделие нельзя утилизировать вместе с обычными бытовыми отходами.



Если однажды Вы захотите заменить Ваш электроинструмент Black & Decker или Вы больше в нем не нуждаетесь, не выбрасывайте его вместе с бытовыми отходами. Отнесите изделие в специальный приемный пункт.



Раздельный сбор изделий с истекшим сроком службы и их упаковок позволяет пускать их в переработку и повторно использовать. Использование переработанных материалов помогает защищать окружающую среду от загрязнения и снижает расход сырьевых материалов.

Местное законодательство может обеспечить сбор старых электроинструментов отдельно от бытового мусора на муниципальных свалках отходов, или Вы можете сдавать их в торговом предприятии при покупке нового изделия.

Фирма Black & Decker обеспечивает прием и переработку отслуживших свой срок изделий Black & Decker. Чтобы воспользоваться этой услугой, Вы можете сдать Ваше изделие в любой авторизованный сервисный центр, который собирает их по нашему поручению.

Вы можете узнать место нахождения Вашего ближайшего авторизованного сервисного центра, обратившись в Ваш местный офис Black & Decker по адресу, указанному в данном руководстве по эксплуатации. Кроме того, список авторизованных сервисных центров Black & Decker и полную информацию о нашем послепродажном обслуживании и контактах Вы можете найти в интернете по адресу: [www.2helpU.com](http://www.2helpU.com).

### Аккумуляторы



Аккумуляторы Black & Decker можно подзаряжать неограниченное количество раз. По окончании срока службы утилизируйте отработанные аккумуляторы безопасным для окружающей среды способом:

- ♦ Полностью разрядите аккумулятор, затем извлеките его из инструмента.
- ♦ NiCd, NiMH и Li-Ion аккумуляторы подлежат переработке. Сдайте их в любой авторизованный сервисный центр или в местный пункт переработки.

### Технические характеристики

		EPC126 (H1)	EPC146 (H1)	EPC186 (H1)
Напряжение	В <sub>пост. тока</sub>	12	14,4	18
Число оборотов без нагрузки	об./мин.	0-450/ 0-1400	0-450/ 0-1500	0-400/ 0-1350
Максимальный крутящий момент	Нм	18	20	25
Патрон	мм	10	10	10
Максимальный диаметр сверления				
Сталь/Древесина	мм	10/25	10/25	10/25

Аккумулятор		A12/A12E	A14/A14E	A18/A18E
Емкость	Ач	1,0	1,0	1,0
Тип		NiCd	NiCd	NiCd
Вес	кг	0,5	0,6	0,7

Аккумулятор		A12NH	A14NH	A18NH
Емкость	Ач	1,5	1,5	1,5
Тип		NiMH	NiMH	NiMH
Вес	кг	0,6	0,7	0,9

### Зарядное устройство

		90500843	90500844	90500845
		90500847	90500848	90500849
		90500855	90500856	90500857
		90500858	90500859	90500860
Напряжение питания	В <sub>перем. тока</sub>	230-240	230-240	230-240
Выходное напряжение	В <sub>пост. тока</sub>	14,5-15,3	17,4-18,2	21,75-22,6
Ток	мА	210-220	200-210	210-230
Приблизительное время зарядки	ч	8-10	8-10	8-10

		EPC128 (H1)	EPC148 (H1)	EPC188 (H1)
Напряжение	В <sub>пост. тока</sub>	12	14,4	18
Число оборотов без нагрузки	об./мин.	0-450/ 0-1400	0-450/ 0-1500	0-400/ 0-1350
Максимальный крутящий момент	Нм	18	22	25
Патрон	мм	10	10	10
Максимальный диаметр сверления				
Сталь/Древесина	мм	10/25	10/25	10/25
Кирпичная кладка	мм	10	10	10

Аккумулятор		A12/A12E	A14/A14E	A18/A18E
Емкость	Ач	1,0	1,0	1,0
Тип		NiCd	NiCd	NiCd
Вес	кг	0,5	0,6	0,7

Аккумулятор		A12NH	A14NH	A18NH
Емкость	Ач	1,5	1,5	1,5
Тип		NiMH	NiMH	NiMH
Вес	кг	0,6	0,7	0,9



**Зарядное устройство**

		90500843	90500844	90500845
		90500847	90500848	90500849
		90500855	90500856	90500857
		90500858	90500859	90500860
Напряжение питания	V <sub>перем. тока</sub>	230-240	230-240	230-240
Выходное напряжение	V <sub>пост. тока</sub>	14,5-15,3	17,4-18,2	21,75-22,6
Ток	мА	210-220	200-210	210-230
Приблизительное время зарядки	ч	8-10	8-10	8-10

**Уровень звукового давления в соответствии с EN 60745:**

Звуковое давление ( $L_{WA}$ ) 87 дБ(А), погрешность (К) 3 дБ(А)  
 Акустическая мощность ( $L_{WA}$ ) 98 дБ(А), погрешность (К) 3 дБ(А)

**Сумма величин вибрации (сумма векторов по трем осям), измеренных в соответствии со стандартом EN 60745:**

Сверление с ударом в бетоне ( $a_{h, ID}$ ) 11,4 м/с<sup>2</sup>, погрешность (К) 1,5 м/с<sup>2</sup>, Сверление в металле ( $a_{h, ID}$ ) <2,5 м/с<sup>2</sup>, погрешность (К) 1,5 м/с<sup>2</sup>, Заворачивание без удара ( $a_{h, S}$ ) <2,5 м/с<sup>2</sup>, погрешность (К) 1,5 м/с<sup>2</sup>

**Декларация соответствия ЕС**  
 ДИРЕКТИВА ПО МЕХАНИЧЕСКОМУ  
 ОБОРУДОВАНИЮ



**ERC126/ERC146/ERC186/ ERC148/ERC148/  
 ERC188**

Black & Decker заявляет, что продукты, обозначенные в разделе «Технические характеристики», полностью соответствуют стандартам: 2006/42/ЕС, EN 60745-1, EN 60745-2-1.

За дополнительной информацией обращайтесь по указанному ниже адресу или по адресу, указанному на последней странице руководства.

Нижеподписавшееся лицо полностью отвечает за соответствие технических данных и делает это заявление от имени фирмы Black & Decker.

Кевин Хьюитт (Kevin Hewitt)  
 Вице-президент отдела  
 мирового проектирования  
 Black & Decker Europe  
 210 Bath Road, Slough  
 Berkshire, SL1 3YD  
 United Kingdom  
 13/07/2011

## Black & Decker

### Гарантийные условия

#### Уважаемый покупатель!

1. Поздравляем Вас с покупкой высококачественного изделия Black & Decker и выражаем признательность за Ваш выбор.
2. При покупке изделия требуйте проверки его комплектности и исправности в Вашем присутствии, инструкцию по эксплуатации и заполненный гарантийный талон на русском языке.  
В гарантийном талоне должны быть внесены: модель, дата продажи, серийный номер, дата производства инструмента; название, печать и подпись торговой организации. При отсутствии у Вас правильно заполненного гарантийного талона, а также несоответствия указанных в нем данных мы будем вынуждены отклонить Ваши претензии по качеству данного изделия.
3. Во избежание недоразумений убедительно просим Вас перед началом работы с изделием внимательно ознакомиться с инструкцией по его эксплуатации. Правовой основой настоящих гарантийных условий является действующее Законодательство. Гарантийный срок на данное изделие составляет 24 месяца и исчисляется со дня продажи. В случае устранения недостатков изделия, гарантийный срок продлевается на период его нахождения в ремонте. Срок службы изделия составляет 5 лет со дня продажи.
4. В случае возникновения каких-либо проблем в процессе эксплуатации изделия рекомендуем Вам обращаться только в уполномоченные сервисные центры Black & Decker, адреса и телефоны которых Вы сможете найти в гарантийном талоне, на сайте [www.2helpU.com](http://www.2helpU.com) или узнать в магазине. Наши сервисные станции - это не только квалифицированный ремонт, но и широкий ассортимент запчастей и принадлежностей.
5. Производитель рекомендует проводить периодическую проверку и техническое обслуживание изделия в уполномоченных сервисных центрах.

#### Сертификат №:

RU C-DE.ME77.B01272



**ERC126, ERC128, ERC146, ERC148**

**Действителем до:**

**13 марта 2019 г.**

**Выдан:**

ООО "Центр по сертификации стандартизации и систем качества электро-машиностроительной продукции". Адрес: 141400, РФ, Московская обл., г. Химки, ул. Ленинградская, д. 29, тел: 8(495)7812587, e-mail: [oc.elmash@gmail.com](mailto:oc.elmash@gmail.com)

**Изготовитель**

Блэк энд Деккер Холдингс ГмбХ  
Германия, 65510, Идштайн,  
ул. Блэк энд Деккер, 40

6. Наши гарантийные обязательства распространяются только на неисправности, выявленные в течение гарантийного срока и вызванные дефектами производства и / или материалов.
7. **Гарантийные условия не распространяются на неисправности изделия, возникшие в результате:**
  - 7.1. Несоблюдения пользователем предписаний инструкции по эксплуатации изделия, применения изделия не по назначению, неправильном хранении, использовании принадлежностей, расходных материалов и запчастей, не предусмотренных производителем.
  - 7.2. Механического повреждения (сколы, трещины и разрушения) внутренних и внешних деталей изделия, основных и вспомогательных рукояток, сетевого электрического кабеля, вызванного внешним ударным или любым иным воздействием.
  - 7.3. Попадания в вентиляционные отверстия и проникновение внутрь изделия посторонних предметов, материалов или веществ, не являющихся отходами, сопровождающими применение изделия по назначению, такими как: стружка, опилки, песок, и пр.
  - 7.4. Воздействий на изделие неблагоприятных атмосферных и иных внешних факторов, таких как дождь, снег, повышенная влажность, нагрев, агрессивные среды, несоответствие параметров питающей электросети, указанных на инструменте.
  - 7.5. Стихийного бедствия. Повреждение или утрата изделия, связанное с непредвиденными бедствиями, стихийными явлениями, в том числе вследствие действия непреодолимой силы (пожар, молния, потоп и другие природные явления), а так же вследствие перепадов напряжения в электросети и другими причинами, которые находятся вне контроля производителя.
8. **Гарантийные условия не распространяются:**
  - 8.1. На инструменты, подвергавшиеся вскрытию, ремонту или модификации вне уполномоченного сервисного центра.
  - 8.2. На детали и узлы, имеющие следы естественного износа, такие как: приводные ремни и колеса, угольные щетки, смазка, подшипники, зубчатое зацепление редукторов, резиновые уплотнения, сальники, направляющие ролики, муфты, выключатели, бойки, толкатели, стволы, и т.п.
  - 8.3. На сменные части: патроны, цанги, зажимные гайки и фланцы, фильтры, аккумуляторные батареи, ножи, шлифовальные подошвы, цепи, звездочки, пыльные шины, защитные кожухи, пилки, абразивы, пыльные и абразивные диски, фрезы, сверла, буры и т.п.
  - 8.4. На неисправности, возникшие в результате перегрузки инструмента (как механической, так и электрической), повлекшей выход из строя одновременно двух и более деталей и узлов, таких как: ротора и статора, обеих обмоток статора, ведомой и ведущей шестерни редуктора или других узлов и деталей. К безусловным признакам перегрузки изделия относятся, помимо прочего: появление цветов побежалости, деформация или оплавление деталей и узлов изделия, потемнение или обугливание изоляции проводов электродвигателя под воздействием высокой температуры.

## Область застосування

Електричний дріль Black & Decker EPC126/ EPC146/EPC186 призначений для свердлення отворів в деревині, металі та пластику, а також для використання в якості викрутки.

Електричний дріль Black & Decker EPC128/ EPC148/EPC188 призначений для свердлення отворів в деревині, металі, пластику та стінах з м'якого каменя або цегли, а також для використання в якості викрутки. Цей інструмент призначений виключно для побутового використання.

## Інструкції з техніки безпеки

### Загальні правила безпеки при використанні електроінструмента



**Попередження! Перед використанням інструмента прочитайте всі попередження та інструкції з техніки безпеки.** Невиконання наведених нижче попереджень та інструкцій може призвести до ураження електричним струмом, пожежі та / або серйозних травм.

**Збережіть всі попередження та інструкції для подальшого використання.** Термін „електроінструмент“ в усіх наведених нижче попередженнях означає інструмент, який живиться від електромережі через кабель живлення або від акумуляторів (без кабелю).

#### 1. Безпека у зоні виконання робіт

- a. Підтримуйте у зоні виконання робіт чистоту та забезпечте достатнє освітлення. Невпорядкованість та недостатнє освітлення робочі зони збільшують ймовірність нещасного випадку.
- b. **Не користуйтеся електроінструментом у вибухонебезпечному оточенні, наприклад, в присутності вогненебезпечних рідин, газів та пилу.** Електроінструмент є джерелом іскор, від яких може спалахнути пил або випари.
- c. **Під час роботи з електроінструментом не допускайте присутності у зоні виконання робіт дітей та сторонніх осіб.** Відвернення уваги може призвести до неконтрольованих ситуацій.
2. Електрична безпека
  - a. Електроінструмент повинен мати штепсельну вилку, яка відповідає розетці електромережі. Забороняється

вносити будь-які зміни у конструкцію штепсельної вилки. **Не використовуйте жодних перехідників живлення з електроінструментом, який обладнаний заземленням.** Штепсельні вилки належної конструкції без жодних модифікацій та відповідні розетки зменшують ризик ураження електричним струмом.

- b. **Уникайте контакту тіла з заземленими поверхнями, такими як труби, радіатори, кухонні плити та холодильники.** Контакт тіла людини з заземленим об'єктом збільшує ризик ураження електричним струмом.
- c. **Не залишайте електроінструмент під дощем або в умовах підвищеної вологості.** Потрапляння води в електроінструмент збільшує ризик ураження електричним струмом.
- d. **Використовуйте кабель живлення виключно за призначенням.** Забороняється переносити або тягнути електроінструмент за кабель живлення або витягувати штепсельну вилку з розетки за кабель. **Не надавайте кабель живлення впливу високих температур, мастил, уникайте його контакту з гострими окрайками та рухомими деталями.** Пошкоджений або перекручений кабель живлення збільшує ризик ураження електричним струмом.
- e. **При роботі з електроінструментом поза приміщенням застосовуйте подовжувач кабелю живлення, який призначений для надвірних умов використання.** Застосування кабелю живлення, який підходить до надвірних умов використання, зменшує ризик ураження електричним струмом.
- f. **Якщо неможливо уникнути використання електроінструмента в умовах підвищеної вологості, необхідно застосовувати захисний автоматичний вимикач, який спрацює від струму сливу.** Використання такого автоматичного вимикача зменшує ризик ураження електричним струмом.
3. Особиста безпека
  - a. **Під час роботи з електроінструментом будьте уважні, слідкуйте за ходом роботи, керуйтеся здоровим глуздом.** Забороняється використовувати електроінструмент у стані втоми, під впливом наркотичних речовин, алкоголю

- або ліків. Навіть миттєва втрата уваги під час роботи з електроінструментом може призвести до серйозних травм.
- b. **Застосуйте засоби особистої безпеки. Завжди застосовуйте засоби захисту очей.** Застосування у відповідних умовах захисних засобів, зокрема протипилової маски, захисного взуття з неслизькою підшоною, каски та засобів захисту органів слуху зменшує ймовірність травматизму.
  - c. **Запобігання неумисному увімкненню електроінструмента. Перед тим, як брати електроінструмент в руки, переносити його або підключати до мережі живлення та / або акумулятора, впевніться, що вимикач електроінструмента встановлений у положення „Вимкн“.** Перенесення електроінструмента у положенні, при якому палець знаходиться на вимикачі, або підключення живлення до електроінструмента, вимикач якого встановлений у положення „Увімкн.“, збільшує ймовірність нещасних випадків.
  - d. **Перед тим, як вмикати електроінструмент, звільніть його від будь-якого налаштувального приладдя та гайкових ключів.** Гайковий ключ, що залишився приєднаним до будь-якої обертової деталі електроінструмента, може спричинити травматизм.
  - e. **Не перенапружуйтеся. Завжди дотримуйтесь належної постановки ніг і стійкої рівноваги.** Під час роботи з електроінструментом це сприяє більш ефективному реагуванню на непередбачувані ситуації.
  - f. **Вдягайте відповідний робочий одяг. Одяг повинен відповідати статурі, на ньому не повинно бути звислих елементів. Під час роботи не носіть біжутерії. Слідкуйте, щоб волосся, деталі одягу та робочі рукавиці не наближалися до рухомих частин інструмента.** Рухомі частини інструмента можуть захопити звислі елементи одягу, біжутерію та довге волосся.
  - g. **Якщо застосовується обладнання, яке підключає засоби видалення та збирання пилу, необхідно впевнитися, що воно належним чином під'єднане та використовується.** Використання обладнання для збирання пилу зменшує пов'язану з пилом потенційну небезпеку.
4. **Використання електроінструмента та догляд за ним**
    - a. **В процесі роботи з електроінструментом не докладайте надмірних зусиль. Використовуйте електроінструмент, який відповідає варіанту застосування.** Використання електроінструмента з відповідними номінальними параметрами дозволяє виконати роботу краще і підвищує рівень безпеки праці.
    - b. **Забороняється використовувати електроінструмент з несправним вимикачем.** Будь-який електроінструмент з несправним вимикачем є небезпечним і підлягає ремонту.
    - c. **Перед виконанням будь-яких налаштувань електроінструмента, заміни приладдя, а також при підготовці до зберігання необхідно від'єднати штепсельну вилку від мережі живлення та / або вийняти акумулятор.** Ці запобіжні заходи зменшують ризик випадкового увімкнення електроінструмента.
    - d. **Зберігайте електроінструмент у знеструмленому стані у місцях, до яких не мають доступу діти. Не дозволяйте працювати з електроінструментом особам, які не мають навичок його використання або не ознайомлені з цим посібником користувача.** Використання електроінструмента особами, які не мають відповідних навичок та знань, є небезпечним.
    - e. **Технічне обслуговування електроінструмента.** Електроінструмент необхідно перевіряти на відсутність перекоосу або заїдання рухомих деталей, ушкоджених частин та інших факторів, які можуть негативно впливати на його роботу. Якщо виявлено ушкодження, електроінструмент перед використанням необхідно відремонтувати. Неналежний технічний стан електроінструмента спричинює значну кількість нещасних випадків.
    - f. **Регулярно заточуйте ріжучий інструмент та тримайте його у чистоті.** Належний технічний стан та гострі пруги ріжучого інструмента зменшують ймовірність того, що він застрягне, та полегшують керування ним.
    - g. **Використовуйте електроінструмент, додаткове приладдя, свердла, тощо у відповідності до цього посібника,**

**враховуючи умови використання та роботу, яка має бути виконана.** Використання електроінструмента не за призначенням може призвести до виникнення небезпечних ситуацій.

5. Використання електроінструмента з живленням від акумулятора та догляд за ним
  - a. Для зарядження акумулятора використовуйте тільки зарядний пристрій, рекомендований виробником. Зарядний пристрій, який підходить до одного типу акумуляторів, може створити ризик пожежі при використанні з акумулятором іншого типу.
  - b. Використовуйте з електроінструментом виключно ті акумулятори, які призначені до застосування саме з ним. Використання будь-яких інших акумуляторів може створити ризик травматизму та пожежі.
  - c. Поблизу акумулятора, який тимчасово не використовуються, не повинно бути сторонніх металевих предметів на зразок канцелярських скріпок, монет, ключів, цвяхів, гвинтів або інших дрібних виробів з металу, які можуть спричинити коротке замикання виводів акумулятора. Коротке замикання виводів акумулятора може спричинити вибух або пожежу.
  - d. Уникайте контакту з рідиною, яка за невідповідних умов використання може витекти з акумулятора. Якщо ця рідина випадково потрапила на шкіру, її необхідно змити водою. Якщо ця рідина потрапила в очі, необхідно звернутися до лікаря. Рідина, яка витекла з акумулятора, може спричинити подразнення та опіки.
6. Технічне обслуговування
  - a. Технічне обслуговування електроінструмента має виконувати кваліфікований фахівець. Запасні частини мають бути повністю ідентичними тим, які первісно встановлені виробником. Це забезпечить підтримання безпечного стану електроінструмента.

#### Додаткові правила безпеки при використанні електроінструмента



**Попередження!** Додаткові вимоги техніки безпеки при використанні звичайного дрילה та дрילה з ударним механізмом

- ◆ Під час роботи з дрилем, який має ударний механізм, необхідно застосовувати засоби захисту органів слуху. Вплив шуму може спричинити втрату слуху.
- ◆ Використовуйте додаткові ручки, які входять до комплекту інструмента. Втрата контролю над інструментом може спричинити травми.
- ◆ При виконанні робіт, під час яких існує небезпека контакту ріжучих пругів свердла з прихованою електропроводкою або кабелем живлення самого інструмента, тримайте дріль тільки за призначені для цього місця з ізолюваною поверхнею. При контакті ріжучих пругів свердла з дротом, по якому протікає струм, металеві деталі дриллю можуть опинитися під напругою і спричинити ураження людини електричним струмом.
- ◆ При виконанні робіт з гвинтами або шурупами, під час яких існує небезпека контакту цих кріпильних деталей з прихованою електропроводкою, тримайте дріль тільки за призначені для цього місця з ізолюваною поверхнею. При контакті кріпильних деталей з дротом, по якому протікає струм, металеві деталі дриллю можуть опинитися під напругою і спричинити ураження людини електричним струмом.
- ◆ Деталь, яка обробляється, має бути зафіксована у лещатах або іншим відповідним способом закріплена на надійній основі. Утримування деталі, яка обробляється, рукою або притискання її до тіла є ненадійним і може призвести до неконтрольованої ситуації.
- ◆ Перед тим, як свердлити отвори у стінах, підлогах та стелі, перевірте відсутність електропроводки та труб.
- ◆ Не торкайтеся одразу після свердлення робочої частини свердла, тому що вона може мати високу температуру.
- ◆ Цей інструмент не призначений для використання особами з обмеженими фізичними можливостями (зокрема дітьми), а також особами з порушенням органів чуття, обмеженими розумовими здібностями, або такими, які мають недостатній досвід та знання, за винятком ситуацій, коли вони працюють під наглядом іншої особи, відповідальної за їхню безпеку, або отримали від такої особи

відповідні інструкції щодо використання електроінструмента. Не дозволяйте дітям гратися з електроінструментом.

- ♦ У цьому посібнику користувача описані варіанти використання за призначенням. Недотримання рекомендацій цього посібника користувача під час використання аксесуарів, приладдя або виконання будь-якої роботи з цим інструментом може бути причиною травматизму та / або пошкодження майна.

## Вібрація

Значення параметрів вібрації, які наведені в технічних даних та в декларації відповідності, вимірювалися у відповідності до стандартної методики тестування, викладеної у EN 60745. Ці параметри можна використовувати для порівняння різних інструментів між собою. Наведені величини вібраційних параметрів можна також використовувати для попередньої оцінки впливу вібрації.

**Попередження!** Рівень вібрації залежить від варіанта використання електроінструмента і може відрізнятися від наведених даних. Рівень вібрації може перевищувати наведене значення.

Оцінюючи вплив вібрації з метою визначення заходів безпеки згідно з вимогами 2002/44/ЕС щодо захисту працівників, які регулярно працюють з електроінструментом, необхідно брати до уваги реальні умови та способи використання цього інструменту, зокрема враховувати всі періоди робочого циклу його використання, наприклад, проміжки часу, коли інструмент вимкнено або працює без навантаження, а також час реальної роботи інструмента.

## Позначки та написи на інструменті

На інструменті є подані нижче піктограми:



**Попередження!** Користувач має прочитати цей посібник, це сприяє зменшенню ризику травматизму.

## Додаткові інструкції з техніки безпеки при використанні акумуляторів та зарядних пристроїв

### Акумулятори

- ♦ За будь-яких обставин забороняється здійснювати спроби відкрити акумулятор.
- ♦ Не допускайте контакту акумулятора з водою.

- ♦ Не тримайте акумулятори в місцях, де температура може перевищувати 40 °C.
- ♦ Під час зарядження акумулятора температура навколишнього середовища має бути від 10 °C до 40 °C.
- ♦ Для зарядження акумулятора використовуйте лише зарядний пристрій, який входить до комплекту інструмента.
- ♦ При утилізації акумуляторів дотримуйтесь інструкцій, наведених у розділі „Захист навколишнього середовища“.



Не намагайтеся заряджати пошкоджені акумулятори.

### Зарядні пристрої

- ♦ Використовуйте зарядний пристрій Black & Decker лише для зарядки акумулятора, який встановлений у електроінструменті, до комплекту якого цей зарядний пристрій входить. Інші акумулятори можуть вибухнути, спричинивши травми та пошкодження.
- ♦ Ніколи не намагайтесь заряджати батареї одноразового використання.
- ♦ Пошкоджені кабелі живлення необхідно замінювати негайно.
- ♦ Не допускайте потрапляння води на зарядний пристрій.
- ♦ Не відкривайте зарядний пристрій.
- ♦ Не зондуйте зарядний пристрій.



Цей зарядний пристрій призначений лише для використання в приміщеннях.



Перед використанням прочитайте цей посібник користувача.



127°C



Зарядний пристрій автоматично відключається, якщо температура навколишнього середовища стає занадто високою. Тепловий вимикач спрацьовує лише один раз, після чого його необхідно повністю замінити.

### Електрична безпека



Цей зарядний пристрій має подвійну ізоляцію; тому заземлення не є необхідним. Завжди перевіряйте відповідність напруги джерела живлення значенню, поданому на таблиці з паспортними даним. Ніколи не намагайтесь замінити зарядний пристрій звичайним мережним штепселем.



- ◆ Якщо кабель живлення пошкоджений, для уникнення небезпеки його необхідно замінити у виробника або в офіційному сервісному центрі Black & Decker.

### Деталі

Цей інструмент має деякі чи всі наведені нижче деталі.

1. Кнопка плавного регулювання швидкості обертання
2. Повзунковий регулятор напрямку обертання
3. Поворотна втулка регулювання режиму роботи / крутильного моменту
4. Затискний патрон
5. Повзунковий ступінчастий перемикач швидкості обертання
6. Гніздо для вставки-викрутки
7. Акумулятор

### Мал. А

8. Електричний з'єднувач зарядного пристрою
9. Зарядний пристрій
10. Контактна колодка зарядного пристрою

### Складання електроінструмента

**Попередження!** Перед складанням електроінструмента вийміть з нього акумулятор.

#### Підключення та від'єднання акумулятора (мал. В та С)

- ◆ Щоб встановити акумулятор (7), вирівняйте його за направляючими з'єднувальної колодки у нижній частині корпусу інструмента. Всуňte акумулятор у відсік та притисніть до фіксації.
- ◆ Щоб зняти акумулятор, натисніть на кнопку-фіксатор (11), одночасно витягуючи акумулятор зі з'єднувальної колодки.

#### Встановлення захисного ковпачка на акумулятор (мал. С)

**Попередження!** Для перенесення та зберігання акумулятора (7) встановіть на нього захисний ковпачок (12).

#### Встановлення та видалення свердла або вставки-викрутки (мал. D)

Дриль має безключовий затискний патрон, який спрощує заміну свердла або вставки-викрутки.

- ◆ Заблокуйте обертання патрона, встановивши повзунковий регулятор напрямку обертання (2) у середнє положення.
- ◆ Відкрийте патрон, повертаючи його передню частину (13) однією рукою та утримуючи задню частину (14) другою рукою.

- ◆ Вставте хвостовик свердла (15) в затискний патрон та надійно затягніть його.

В комплект інструмента входить двостороння вставка-викрутка, закріплена у гнізді (6).

- ◆ Щоб вийняти вставку-викрутку з гнізда, потягніть її догори.
- ◆ Щоб закріпити вставку-викрутку у гнізді, притисніть її до фіксації.

#### Зняття та установка затискного патрона (мал. Е)

- ◆ Повністю відкрийте затискний патрон.
- ◆ Викрутіть стопорний гвинт патрона, повертаючи його викруткою за годинниковою стрілкою.
- ◆ Затисніть у патроні шестигранний торцевий ключ та вдарте по ньому молотком, як зображено на малюнку.
- ◆ Вийміть шестигранний торцевий ключ з затискного патрона.
- ◆ Відкрутіть та зніміть затискний патрон, повертаючи його проти годинникової стрілки.
- ◆ Щоб знову встановити затискний патрон, накрутіть його на шпindel та закріпіть стопорним гвинтом.

#### Залишкові ризики.

Додаткові залишкові ризики можуть виникнути при використанні інструменту, який не включено до наведених попереджень з техніки безпеки. Ці ризики можуть виникнути через невірне використання, тривале використання, тощо.

Незважаючи на виконання всіх відповідних правил техніки безпеки та використання пристроїв безпеки, неможливо уникнути деяких залишкових ризиків. До них належать:

- ◆ Травми через контакт з деталями, що рухаються / обертаються.
- ◆ Травми, які виникають при заміні будь-яких частин, деталей з гострими пругами або приладдя.
- ◆ Травми через занадто тривале використання інструменту. При використанні будь-якого інструменту протягом тривалого періоду часу робіть регулярні перерви.
- ◆ Погіршення слуху.
- ◆ Небезпека для здоров'я через вдихання пилу, що утворюється при використанні інструменту (наприклад, при роботі з деревиною, особливо з дубом, березою та ДВП.)

## Використання

**Попередження!** Інструмент має працювати з нормальною швидкістю обертання. Не перевантажуйте його.

**Попередження!** Перед свердленням стін, підлоги та стелі перевірте відсутність електропроводки та труб у місці виконання отвору.

### Зарядження акумулятора (мал. А & F)

Акумулятор необхідно зарядити перед першим використанням, та в подальшому заряджати його, коли стає відчутним недостатня потужність електроінструмента при виконанні операцій, які раніше виконувалися легко. При першому зарядженні, або після тривалого періоду невикористання акумулятор заряджається лише на 80%. Повна ємність акумулятора досягається після кількох циклів зарядки та розрядки. Під час зарядки температура акумулятора може дещо підвищитися, це звичайне явище не є ознакою несправності.

**Попередження!** Не заряджайте акумулятор при температурі навколишнього середовища нижче 10 °С або вище 40 °С. Рекомендується заряджати акумулятор при температурі приблизно 24 °С.

### Використання зарядного пристрою

- ◆ Для зарядження акумулятора (7) вийміть його з дреля та підключіть до контактної колодки зарядного пристрою (10).
- ◆ Підключіть зарядний пристрій (9) до розетки мережі живлення.

Під час зарядки температура акумулятора дещо підвищується. Впродовж приблизно 3 годин акумулятор заряджається до рівня, достатнього для звичайного режиму використання. Повне зарядження акумулятора триває приблизно 8 - 10 годин.

- ◆ Від'єднайте контактну колодку зарядного пристрою від акумулятора.

### Зарядний пристрій з циліндричним з'єднувачем

- ◆ Акумулятор під час зарядження повинен бути встановлений у дрелі.
- ◆ Вставте циліндричний з'єднувач (8) зарядного пристрою у призначене для нього гніздо.
- ◆ Підключіть зарядний пристрій до розетки мережі живлення.
- ◆ Увімкніть живлення розетки.

За нормальних умов використання зарядження впродовж 3 годин забезпечує достатній рівень заряду акумулятора для більшості варіантів застосування. Однак, триваліше зарядження протягом до 6 годин дає змогу значно подовжити час використання дреля в залежності від стану акумулятора та умов зарядження.

- ◆ Від'єднайте дріль від зарядного пристрою.

**Попередження!** Забороняється працювати інструментом, який підключений до зарядного пристрою.


### Вибір напрямку обертання (мал. G)

Для свердлення та закручування шурупів встановіть напрямок обертання за годинниковою стрілкою. Для викручування шурупів та щоб витягти застрягле свердло, встановіть зворотній напрямок обертання (проти годинникової стрілки).

- ◆ Щоб встановити напрямок обертання за годинниковою стрілкою, посуňte повзунок перемикача напрямку обертання (2) ліворуч.
- ◆ Щоб встановити напрямок обертання проти годинникової стрілки, посуňte повзунок перемикача напрямку обертання праворуч.
- ◆ Щоб заблокувати обертання патрона, поставте повзунок перемикача напрямку обертання в центральне положення.

### Вибір режиму роботи або крутильного моменту (мал. H)

Дріль оснащений поворотною втулкою, яка призначена для вибору режиму роботи та крутильного моменту затягнення гвинтів. Чим більший діаметр гвинтів та чим твердіший матеріал деталі, тим більше потрібна величина крутильного моменту. За допомогою втулки можна змінювати крутильний момент у широкому діапазоні регулювання, що дає можливість підібрати необхідне значення для конкретного варіанта використання інструмента.

- ◆ Для свердлення кам'яних або цегляних стін оберіть за допомогою втулки (3) режим ударного свердлення, розташувачи позначку  проти стрілки (16).
- ◆ Для роботи з гвинтами або шурупами відрегулюйте за допомогою втулки необхідне значення крутильного моменту. Якщо оптимальне значення невідомо, дійте наступним чином:
  - Встановіть втулку (3) у положення мінімального крутильного моменту.
  - Затягніть перший гвинт.

- Якщо заскочний механізм патрона спрацьовує до того, як досягнуто бажаний результат, збільшити крутильний момент і спробуйте знову затягнути гвинт. Повторюючи ці дії, встановіть правильне значення. Всі інші гвинти затягуйте з встановленим крутильним моментом.

#### Свердлення кам'яних або цегляних стін (мал. Н & І)

- ◆ Для свердлення кам'яних або цегляних стін оберіть за допомогою втулки (3) режим ударного свердлення, розташувавши позначку **T** проти стрілки (16).
- ◆ Перемістіть повзунковий ступінчастий перемикач швидкості обертання (5) в напрямку передньої частини інструмента (2-га передача).

#### Повзунковий ступінчастий перемикач швидкості обертання (мал. І)

- ◆ Для свердлення сталі та для роботи з викруткою встановіть повзунковий ступінчастий перемикач швидкості обертання (5) у заднє положення (1-ша передача).
- ◆ Для свердлення отворів у інших матеріалах крім сталі встановіть регулятор швидкості обертання (5) у переднє положення (2-га передача).

#### Свердлення / використання викрутки

- ◆ Встановіть необхідний напрямок обертання за допомогою повзункового перемикача (2).
- ◆ Щоб ввімкнути інструмент, натисніть на кнопку плавного регулювання швидкості обертання (1). Швидкість обертання регулюється силою тиску на кнопку.
- ◆ Щоб вимкнути інструмент, відпустіть кнопку плавного регулювання швидкості.

#### Примітки для оптимального використання

##### Свердлення

- ◆ Завжди злегка натискайте на дріль, спрямовуючи силу вздовж осі свердла.
- ◆ Безпосередньо перед тим, як кінець свердла з'явиться з іншої сторони деталі, зменшіть тиск на дріль.
- ◆ Для запобігання розколюванню деталі підкладіть під неї дерев'яний брусок.
- ◆ Для свердлення отворів великого діаметра у деревині використовуйте перове або ложкове свердло.

- ◆ Для свердлення металу використовуйте швидкорізні свердла.
- ◆ Для свердлення стін з м'якого каменя або цегли використовуйте алмазні свердла.
- ◆ При свердленні отворів у металах, крім чавуну та латуні, використовуйте мастило.
- ◆ Для більшої точності намітьте кернером центр майбутнього отвору.

#### Використання викрутки

- ◆ Завжди використовуйте правильний тип та розмір викрутки-вставки.
- ◆ Якщо гвинти або шурупи важко затягуються, спробуйте злегка змастити їх миючою рідиною або милом.
- ◆ Завжди тримайте інструмент та викрутку-вставку вздовж осі гвинта.

#### Технічне обслуговування

Дріль Black & Decker призначений для роботи протягом довгого часу з мінімальним обсягом технічного обслуговування. Тривала нормальна робота інструмента залежить від правильного догляду за ним та очищення.

Зарядний пристрій не вимагає технічного обслуговування, його лише необхідно регулярно очищувати.

**Попередження!** Перед виконанням будь-якого обслуговування необхідно вийняти з інструмента акумулятор. Перед очищенням зарядного пристрою його необхідно відключити від розетки.

- ◆ Регулярно очищуйте вентиляційні прорізи за допомогою м'якої щітки або сухої ганчірки.
- ◆ Регулярно очищуйте корпус електродвигуна вологою ганчіркою. Не використовуйте абразивні очищувачі та засоби, що містять розчинники.
- ◆ Регулярно відкривайте затискний патрон та струшуйте його, щоб видалити пил з середини.

#### Захист навколишнього середовища



Роздільна утилізація відходів. При утилізації цього виробу його не можна викидати разом зі звичайним побутовим сміттям.

У випадку заміни виробу Black & Decker, або якщо він став непотрібним, не викидайте його разом з побутовим сміттям. Здайте цей виріб до центру роздільної утилізації відходів.



Роздільна утилізація використаних виробів та упаковки дозволяє повторно переробляти та використовувати матеріали. Вторинна переробка матеріалів сприяє зменшенню забруднення навколишнього середовища та потреб у сировині.

Місцеві законодавчі акти можуть передбачати роздільну утилізацію побутового електричного обладнання в місцях збирання побутових відходів або у місцях продажу нового обладнання.

Компанія Black & Decker має можливість для збору та вторинної переробки продуктів власного виробництва після закінчення їхнього терміну служби. Щоб скористатися цією послугою, поверніть здайте виріб до будь-якого авторизованого сервісного центру, які за дорученням виробника збирають відпрацьовані продукти.

дізнатися про місце розташування найближчого сервісного центру можна у місцевому представництві компанії Black & Decker за адресою, поданою у цьому посібнику користувача. Крім того, перелік авторизованих сервісних центрів компанії Black & Decker з усіма подробицями післяпродажного обслуговування та контактною інформацією доступний в Інтернеті на сайті: [www.2helpU.com](http://www.2helpU.com).

### Акумулятори



Акумулятори виробництва компанії Black & Decker можна перезаряджати багато разів. При утилізації акумуляторів, які стали непридатними до використання, дотримуйтесь правил безпеки навколишнього середовища:

- ◆ Перед тим, як вийняти акумулятор з інструмента, необхідно повністю розрядити його в процесі роботи.
- ◆ Нікель-кадмієві (NiCd), нікель-металогідридні (NiMH) та літійо-іонні (Li-Ion) акумулятори придатні до вторинної переробки. Віднесіть їх до будь-якого авторизованого ремонтного центра або на місцеву переробку станцію.

### Технічні дані

		ERC126 (H1)	ERC146 (H1)	ERC186 (H1)
Напруга	$V_{\text{пост. струму}}$	12	14,4	18
Швидкість обертання в режимі без навантаження об. / хв.				
		0-450/ 0-1.400	0-450/ 0-1.500	0-400/ 0-1.350
Макс. крутильний момент	Нм	18	20	25
Найбільший діаметр свердла, яке можна затиснути у патроні мм				
		10	10	10
Максимальна глибина свердління				
Сталь / дерева	мм	10/25	10/25	10/25

Акумулятор		A12/A12E	A14/A14E	A18/A18E
Ємність	Ампер-годин	1,0	1,0	1,0
Тип		NiCd	NiCd	NiCd
Вага	кг	0,5	0,6	0,7

Акумулятор		A12NH	A14NH	A18NH
Ємність	Ампер-годин	1,5	1,5	1,5
Тип		NiMH	NiMH	NiMH
Вага	кг	0,6	0,7	0,9

### Зарядний пристрій

		90500843	90500844	90500845
		90500847	90500848	90500849
		90500855	90500856	90500857
		90500858	90500859	90500860
Вхідна напруга	$V_{\text{змінн. струму}}$	230-240	230-240	230-240
Вихідна напруга	$V_{\text{пост. струму}}$	14,5-15,3	17,4-18,2	21,75-22,6
Струм	мА	210-220	200-210	210-230
Орієнтовний час зарядження годин				
		8-10	8-10	8-10

		ERC128 (H1)	ERC148 (H1)	ERC188 (H1)
Напруга	$V_{\text{пост. струму}}$	12	14,4	18
Швидкість обертання в режимі без навантаження об. / хв.				
		0-450/ 0-1.400	0-450/ 0-1.500	0-400/ 0-1.350
Макс. крутильний момент	Нм	18	22	25
Найбільший діаметр свердла, яке можна затиснути у патроні мм				
		10	10	10
Максимальна глибина свердління				
Сталь / дерева	мм	10/25	10/25	10/25
Кам'яна або цегляна стіна	мм	10	10	10

Акумулятор		A12/A12E	A14/A14E	A18/A18E
Ємність	Ампер-годин	1,0	1,0	1,0
Тип		NiCd	NiCd	NiCd
Вага	кг	0,5	0,6	0,7

Акумулятор		A12NH	A14NH	A18NH
Ємність	Ампер-годин	1,5	1,5	1,5
Тип		NiMH	NiMH	NiMH
Вага	кг	0,6	0,7	0,9

Зарядний пристрій				
		90500843	90500844	90500845
		90500847	90500848	90500849
		90500855	90500856	90500857
		90500858	90500859	90500860
Вхідна напруга	$V_{\text{залин. струму}}$	230-240	230-240	230-240
Вихідна напруга	$V_{\text{пост. струму}}$	14,5-15,3	17,4-18,2	21,75-22,6
Струм	мА	210-220	200-210	210-230
Орієнтовний час зарядження	годин	8-10	8-10	8-10

**Рівень звукового тиску згідно з EN 60745:**

Звуковий тиск ( $L_{\text{pA}}$ ) 87 дБ(А), похибка (К) 3 дБ(А)  
 Звукова потужність ( $L_{\text{WA}}$ ) 98 дБ(А), похибка (К) 3 дБ(А)

**Загальні значення вібрації (векторна сума трьох векторів) згідно з EN 60745:**

Ударне свердлення бетону ( $a_{\text{h, D}}$ ) 11,4 м/с<sup>2</sup>, похибка (К) 1,5 м/с<sup>2</sup>, Свердлення метала ( $a_{\text{h, D}}$ ) <2,5 м/с<sup>2</sup>, похибка (К) 1,5 м/с<sup>2</sup>, Використання викрутки без удару ( $a_{\text{h, S}}$ ) <2,5 м/с<sup>2</sup>, похибка (К) 1,5 м/с<sup>2</sup>

**Декларація відповідності ЄС**  
 ДИРЕКТИВА ДЛЯ МЕХАНІЧНОГО  
 ОБЛАДНАННЯ



**EPС126/EPС146/EPС186/ EPС148/EPС148/  
 EPС188**

Компанія Black & Decker заявляє, що продукти, описані в розділі „Технічні дані“ відповідають: 2006/42/EC, EN 60745-1, EN 60745-2-1.

Для отримання додаткової інформації, будь ласка, зверніться до компанії Black & Decker за поданою нижче адресою або прочитайте інформацію на зворотній стороні цього керівництва.

Особа, яка поставила свій підпис нижче, є відповідальною за упорядкування файлу технічних характеристик та за цю декларацію компанії Black & Decker.

Кевін Хьюїт (Kevin Hewitt)  
 Віце-президент  
 з глобальних розробок  
 Black & Decker Europe  
 210 Bath Road, Slough  
 Berkshire, SL1 3YD  
 Великобританія  
 13/07/2011

## БЛЕК ЕНД ДЕККЕР

гарантійні умови

Шановний покупцю!

1. Вітаємо Вас з покупкою високоякісного виробу компанії BLACK+DECKER та висловлюємо Вам свою вдячність за Ваш вибір.
- 1.1. Надійна робота цього виробу на протязі всього терміну експлуатації є предметом особливої турботи наших сервісних служб. У випадку виникнення будь-яких проблем в процесі експлуатації виробу ми рекомендуємо Вам звертатися лише до авторизованих сервісних організацій, адреси та телефони яких Ви зможете знайти в Гарантійному талоні або дізнатися в магазині.  
Наші сервісні центри – це не тільки кваліфікований ремонт, але і широкий вибір запчастин та аксесуарів.
- 1.2. При купівлі виробу вимагайте перевірки його комплектності та справності за Вашої присутності, наявності інструкції з експлуатації та заповненого Гарантійного талону на українській мові. За умови відсутності у Вас правильно заповненого Гарантійного талону ми будемо вимушені відхилити Ваші претензії щодо якості цього виробу.
- 1.3. Щоб уникнути всіх непорозумінь наполегливо просимо Вас перед початком роботи з виробом уважно ознайомитись з інструкцією щодо його експлуатації.
- 1.4. Звертаємо Вашу увагу на виключно побутове призначення цього виробу.
2. Правовою основою даних гарантійних умов є діюче Законодавство та, зокрема, Закон "Про захист прав споживачів".
3. Гарантійний термін на даний виріб складає 24 місяці та починається з дня продажу через роздрібну торгову мережу. У випадку усунення недоліків виробу гарантійний термін подовжується на період, протягом якого виріб не використовувався.
4. Термін служби виробу - 5 років (мінімальний, встановлений у відповідності до Закону "Про захист прав споживачів").
5. Наші гарантійні зобов'язання поширюються тільки на несправності, виявлені протягом гарантійного терміну та обумовлені виробничими та конструктивними факторами.
6. Гарантійні зобов'язання не поширюються:
  - 6.1. На несправності виробу, що виникли в результаті:
    - 6.1.1. Недотримання користувачем вказівок інструкції з експлуатації виробу.
    - 6.1.2. Механічних пошкоджень, викликаних зовнішнім ударним або іншим впливом.
    - 6.1.3. Використання виробу в професійних цілях та об'ємах, в комерційних цілях.
    - 6.1.4. Застосування виробу не за призначенням.
    - 6.1.5. Стихійного лиха.

- 6.1.6. Неприятливому атмосферному та інших зовнішніх впливах на виріб, таких як дощ, сніг, підвищена вологість, нагрів, агресивні середовища, невідповідність параметрів електромережі параметрам, вказаним на інструменті.
- 6.1.7. Використання аксесуарів, витратних матеріалів та запчастин, які не рекомендовані або не схвалені виробником.
- 6.1.8. Проникнення всередину інструменту сторонніх предметів, комах, матеріалів або речовин, що не є відходами, які супроводжують використання інструменту за призначенням, наприклад, стружки, опилки та ін.
- 6.2. На інструменти, що були відкриті, піддані ремонту або модифікації поза уповноваженим сервісним центром.
- 6.3. На приналежності, запчастини, що вийшли з ладу внаслідок нормального зносу, та витратні матеріали, такі як, приводні ремені, вугільні щітки, ножі, та ін.
- 6.4. На несправності, які виникли в результаті перевантаження інструменту, що призвело до виходу з ладу електродвигуна або інших вузлів та деталей. До безумовних ознак перевантаження виробу належать, зокрема: поява кольорів мінливості, деформації або опалення деталей та вузлів виробу, потемніння або обвуглювання ізоляції дротів електродвигуна під впливом високої температури.



Виробник:  
"Stanley Black & Decker Deutschland  
GmbH" Black-&-Decker Str.40, D-65510  
Idstein, Німеччина



## Kullanım amacı

Black & Decker matkap/tornavidanız EPC126/ EPC146/EPC186 vida takma/sökme uygulamaları ve ahşap, metal ve plastik delme işlemleri için tasarlanmıştır.

Black & Decker matkap/tornavidanız EPC128/ EPC148/EPC188 vida takma/sökme uygulamaları ve ahşap, metal, plastik ve duvar delme işlemleri için tasarlanmıştır. Bu alet sadece hafif hizmet ve hobi kullanımı içindir.

## Güvenlik talimatları

### Genel elektrikli alet güvenlik uyarıları



**Uyarı! Bütün güvenlik uyarılarını ve talimatlarını mutlaka okuyun.** Aşağıda yer alan uyarılar ve talimatların herhangi birisine uyulmaması elektrik çarpması, yangın ve/veya ciddi yaralanma riskine neden olabilir.

**Bütün uyarı ve güvenlik talimatlarını ilerde bakmak üzere saklayın.** Aşağıda yer alan uyarılardaki «elektrikli alet» terimi şebeke elektriğiyle (kablolu) veya akü/pille (şarjlı) çalışan elektrikli aletinizi ifade etmektedir.

### 1. Çalışma alanının güvenliği

- Çalışma alanını temiz ve aydınlık tutun.** Karışık veya karanlık alanlar kazaya davetiye çıkarır.
- Elektrikli aletleri, yanıcı sıvılar, gazlar ve tozların bulunduğu yerler gibi yanıcı ortamlarda çalıştırmayın.** Elektrikli aletler, toz veya dumanları ateşleyebilecek kıvılcımlar çıkarır.
- Bir elektrikli aleti çalıştırırken çocuklardan ve etraftaki kişilerden uzak tutun.** Dikkatinizi dağıtıcı şeyler kontrolü kaybetmenize neden olabilir.

### 2. Elektrik güvenliği

- Elektrikli aletlerin fişleri prizlere uygun olmalıdır.** Fiş üzerinde kesinlikle hiçbir değişiklik yapmayın. Topraklı elektrikli aletlerde hiçbir adaptör fişi kullanmayın. Değiştirilmemiş fişler ve uygun prizler elektrik çarpması riskini azaltacaktır.
- Borular, radyatörler, ocaklar ve buzdolapları gibi topraklanmamış yüzeylerle vücut temasından kaçının.** Vücudunuzun topraklanması halinde yüksek bir elektrik çarpması riski vardır.
- Elektrikli aletleri yağmura maruz bırakmayın veya ıslatmayın.** Elektrikli alete su girmesi elektrik çarpması riskini arttıracaktır.

- Elektrik kablosunu uygun olmayan amaçlarla kullanmayın.** Elektrikli aleti kesinlikle kablosundan tutarak taşımayın, çekmeyin veya prizden çıkartmayın. **Kabloyu sıcağtan, yağdan, keskin kenarlardan veya hareketli parçalardan uzak tutun.** Hasarlı veya dolaşmış kablolar elektrik çarpması riskini artırır.
- Elektrikli bir aleti açık havada çalıştırıyorsanız, açık havada kullanıma uygun bir uzatma kablosu kullanın.** Açık havada kullanıma uygun bir kablunun kullanılması elektrik çarpması riskini azaltır.
- Eğer bir elektrikli aletin nemli bir bölgede çalıştırılması zorunluysa, bir artık akım aygıtı (RCD) korumalı bir kaynak kullanın.** Bir RCD kullanılması elektrik şoku riskini azaltır.

### 3. Kişisel güvenlik

- Elektrikli bir aleti kullanırken her zaman dikkatli olun, yaptığınız işe yoğunlaşın ve sağduyulu davranın.** Elektrikli bir aleti yorgunken veya ilaç ya da alkolün etkisi altındayken kullanmayın. Elektrikli aletleri kullanırken bir anlık dikkatsizlik ciddi kişisel yaralanmayla sonuçlanabilir.
- Kişisel koruyucu ekipmanları mutlaka kullanın.** Daima koruyucu gözlük takın. Koşullara uygun toz maskesi, kaymayan güvenlik ayakkabıları, baret veya kulaklık gibi koruyucu donanımların kullanılması kişisel yaralanmaları azaltacaktır.
- İstem dışı çalıştırılmasını önleyin.** Cihazı güç kaynağına ve/veya aküye bağlamadan, yerden kaldırmadan veya taşımadan önce düğmenin kapalı konumda olduğundan emin olun. Aleti, parmağınız düğme üzerinde bulunacak şekilde taşımak veya açık konumdaki elektrikli aletleri elektrik şebekesine bağlamak kazaya davetiye çıkarır.
- Elektrikli aleti açmadan önce tüm ayarlama anahtarlarını çıkartın.** Elektrikli aletin hareketli bir parçasına takılı kalmış bir anahtar kişisel yaralanmaya neden olabilir.
- Ulaşmakta zorlandığınız yerlerde kullanmayın.** Daima sağlam ve dengeli basın. Bu, beklenmedik durumlarda elektrikli aletin daha iyi kontrol edilmesine olanak tanır.
- Uygun şekilde giyinin.** Bol elbiseler giymeyin ve takı takmayın. Saçınızı, elbiselerinizi ve eldivenlerinizi hareketli parçalardan uzak tutun. Bol elbiseler ve takılar veya uzun saç hareketli parçalara takılabilir.

- g. Eğer kullandığınız üründe toz emme ve toplama özellikleri olan ataşmanlar varsa bunların bağlı olduğundan ve doğru şekilde kullanıldığında emin olun. Bu toz toplama ataşmanların kullanılması tozla ilgili tehlikeleri azaltabilir.
4. Elektrikli aletlerin kullanımı ve bakımı
- a. Elektrikli aleti zorlamayın. Uygulamanız için doğru elektrikli aleti kullanın. Doğru elektrikli alet, belirlendiği kapasite ayarında kullanıldığında daha iyi ve güvenli çalışacaktır.
- b. Düğme açmıyor ve kapatmıyorsa elektrikli aleti kullanmayın. Düğmeyle kontrol edilemeyen tüm elektrikli aletler tehlikelidir ve tamir edilmesi gerekmektedir.
- c. Herhangi bir ayarlama, aksesuar değişimi veya elektrikli aletlerin saklanması öncesinde fişi güç kaynağından çekin ve/veya aküyü elektrikli aletten ayırın. Bu tür önleyici güvenlik tedbirleri aletin istem dışı olarak çalıştırılması riskini azaltacaktır.
- d. Elektrikli aleti, çocukların ulaşamayacağı yerlerde saklayın ve elektrikli aleti tanımayan veya bu talimatları bilmeyen kişilerin elektrikli aleti kullanmasına izin vermeyin. Elektrikli aletler, eğitimsiz kullanıcıların elinde tehlikelidir.
- e. Elektrikli aletleri iyi durumda muhafaza edin. Hareketli parçalardaki hizalama hatalarını ve tutuklukları, parçalardaki kırılmalar ve elektrikli aletin çalışmasını etkileyebilecek tüm diğer koşulları kontrol edin. Hasarlı ise, elektrikli aleti kullanmadan önce tamir ettirin. Kazaların çoğu, elektrikli aletlerin bakımının yeterli şekilde yapılmamasından kaynaklanır.
- f. Kesim aletlerini keskin ve temiz tutun. Bakımı uygun şekilde yapılmış keskin kesim uçlu kesim aletlerinin sıkışma ihtimali daha düşüktür ve kontrol edilmesi daha kolaydır.
- g. Elektrikli aleti, aksesuarlarını ve aletin diğer parçalarını kullanırken bu talimatlara mutlaka uyun ve çalışma ortamının koşullarını ve yapılacak işin ne olduğunu göz önünde bulundurun. Elektrikli aletin öngörülen işlemler dışındaki işlemler için kullanılması tehlikeli durumlara neden olabilir.
5. Akü/pille çalışan aletin kullanımı ve bakımı
- a. Sadece üretici tarafından belirtilen şarj cihazı ile şarj edin. Bir akü tipine uygun bir şarj cihazı başka tipte bir aküyü şarj etmek için kullanıldığında yangın riski yaratabilir.

- b. Elektrikli aletleri yalnızca özel olarak tanımlanmış akülerle kullanın. Başka bir akünün kullanılması yaralanma veya yangın riskine yol açabilir.
- c. Akü kullanımında değilken, ataç, bozuk para, anahtar, çivi, vida veya terminaller arasında kontağa neden olabilecek diğer küçük metal nesnelere uzak tutulmalıdır. Akü terminallerinin birbirine kısa devre yapılması yanıklara veya yangına neden olabilir.
- d. Sıra dışı koşullarda sıvı aküden dışarı akabilir, temastan kaçının. Yanlışlıkla cilde temas edilirse su ile yıkayın. Gözle temas durumunda ayrıca doktora başvurun. Aküden sıvı akması ciltte tahriş veya yanmaya neden olabilir.
6. Servis
- a. Elektrikli aletinizi, sadece orijinal yedek parçaların kullanıldığı yetkili servise tamir ettirin. Bu, elektrikli aletin güvenliğinin muhafaza edilmesini sağlayacaktır.

## Elektrikli el aletleri için ek güvenlik talimatları



**Uyarı!** Matkaplar ve darbeli matkaplar için ek güvenlik talimatları

- ◆ Darbeli matkap ile çalışırken kulaklık takın. Yüksek sese maruz kalmak işitme kaybına yol açabilir.
- ◆ Aletle birlikte verilmiş olan yardımcı tutma kollarını kullanın. Kontrol kaybı kişisel yaralanmalara neden olabilir.
- ◆ Kesme aksesuarının gizli kabloları veya kendi kablosuna temas edebileceği yerlerde çalışma yaparken elektrikli aleti yalıtımlı kavrama yüzeylerinden tutun. Kesme aksesuarının «akım taşıyan» bir kabloya temas etmesi durumunda elektrikli aletin metal kısımları da «akım taşıyıcı» hale gelecek ve kullanıcının elektrik çarpmasına neden olabilir.
- ◆ Bağlantı parçasının gizli kabloları temas edebileceği yerlerde çalışma yaparken elektrikli aleti yalıtımlı kavrama yüzeylerinden tutun. Bağlantı parçalarının «akım taşıyan» bir kabloya temas etmesi durumunda elektrikli aletin metal kısımları da «akım taşıyıcı» hale gelecek ve kullanıcının elektrik çarpmasına neden olabilir.
- ◆ Üzerinde çalıştığınız parçayı sabitlemek ve desteklemek için kelepçeler veya başka pratik yöntemler kullanın. Parçayı elle veya vücudunuza dayamanız dengesiz

durmasına neden olacaktır ve aletin kontrolünü kaybetmenize yol açabilir.

- ◆ Duvar, zemin veya tavanda delik açmadan önce kablo ve boruların konumunu kontrol edin.
- ◆ Delme işleminin hemen ardından matkap ucuna dokunmaktan kaçınınız; sıcak olabilir.
- ◆ Bu alet fiziksel ve zihinsel kapasitesinin yanı sıra algılama gücü azalmış olan veya yeterince deneyim ve bilgisi bulunmayan kişiler (çocuklar dahil) tarafından kullanılmak üzere üretilmemiştir. Bu tür kişiler aleti ancak güvenliklerinden sorumlu bir kişi tarafından cihazın kullanımıyla ilgili talimatların verilmesi veya sürekli kontrol altında tutulması durumunda kullanabilir. Çocuklar, aletle oynamalarını önlemek amacıyla kontrol altında tutulmalıdır.
- ◆ Kullanım amacı bu kullanım kılavuzunda açıklanmıştır. Herhangi bir aksesuarın veya bağlantının ya da işlemin, bu kılavuzda tavsiye edilen şekilden başka bir şekilde kullanılması şahısların yaralanmalarına ve/veya mal kaybına yol açabilir.

### Titreşim

Teknik veriler ve uygunluk beyanatu içerisinde belirtilen titreşim emisyon değerleri EN 60745 tarafından belirlenen standart bir test yöntemine uygun olarak ölçülmektedir ve diğer bir aletle karşılaştırma yaparken kullanılabilir. Beyan edilen titreşim emisyon değeri aynı zamanda maruz kalmanın önceden değerlendirilmesinde de kullanılabilir.

**Uyarı!** Elektrikli aletin mevcut kullanımı sırasındaki titreşim emisyon değeri, aletin kullanım yöntemine bağlı olarak, beyan edilen değere göre farklılık sergileyebilir. Titreşim düzeyi belirlenen seviyenin üzerinde artış gösterebilir.

İşyerinde düzenli olarak elektrikli alet kullanan çalışanları korumak amacıyla 2002/44/EC tarafından getirilen elektrik güvenliği önlemlerini belirlemek üzere titreşime maruz kalmayı değerlendirirken, çalışma döngüsü içerisinde örneğin aletin kapalı olduğu ve aktif durumda olmasının yanı sıra boşta çalıştığı zamanlar gibi, bütün zaman dilimleri dahil olmak üzere mevcut kullanım durumu ve aletin kullanım şekli göz önünde bulundurulurken değerlendirilmelidir.

### Alet üzerindeki etiketler

Alet üzerinde, aşağıdaki uyarı sembolleri bulunmaktadır:



**Uyarı!** Yaralanma riskini en aza indirmek için kullanıcı kullanım talimatlarını mutlaka okumalıdır.

### Şarj cihazları ve aküler için ek güvenlik talimatları

#### Aküler

- ◆ Kesinlikle, hiçbir nedenle açmaya çalışmayın.
- ◆ Aküyü suya batırmayın.
- ◆ Sıcaklığın 40 °C'yi aşabileceği yerlerde saklamayın.
- ◆ Sadece 10 °C ila 40 °C arasındaki ortam sıcaklıklarında şarj edin.
- ◆ Sadece aletle birlikte verilen şarj cihazını kullanarak şarj edin.
- ◆ Aküleri atarken, «Çevrenin korunması» başlıklı bölümdeki talimatlara uyun.



Hasarlı aküleri şarj etmeyi çalışmayın.

#### Şarj cihazları

- ◆ Black & Decker şarj cihazınızı, yalnızca aletle birlikte verilen aküyü şarj etmek için kullanın. Diğer aküler patlayarak yaralanmanıza veya hasar meydana gelmesine yol açabilir.
- ◆ Şarj edilme özelliği olmayan aküleri kesinlikle şarj etmeye çalışmayın.
- ◆ Hasarlı kabloların hemen değiştirilmesini sağlayın.
- ◆ Şarj cihazını suya batırmayın.
- ◆ Şarj cihazını açmayın.
- ◆ Şarj cihazını delmeyin.



Şarj cihazı, yalnızca kapalı alanda kullanım içindir.



Aletle çalışmaya başlamadan önce bu kılavuzu okuyun.



Çevre ısısı çok yükselir ise şarj cihazı otomatik olarak kapanır. Termik kesici sadece bir defa çalışır ve sonrasında tamamen değiştirilmesi gerekmektedir.

### Elektrik güvenliği



Şarj cihazınız çift yalıtımlıdır; Bu yüzden hiçbir topraklama kablosuna gerek yoktur. Her zaman şebeke geriliminin aletin üretim etiketinde belirlenmiş değerlere uyup uymadığını kontrol edin. Şarj cihazını kesinlikle normal bir elektrik fişi ile değiştirmeye kalkışmayın.

- ◆ Elektrik kablosu hasarlı ise, bir tehlike oluşmasını önlemek için üretici ya da yetkili

## TÜRKÇE

Black & Decker Servis Merkezi tarafından değiştirilmelidir.

### Özellikler

Bu alet, aşağıdaki özelliklerin bir kısmını veya tümünü içermektedir.

1. Değişken hız ayarlı tetik
2. İleri/geri sürgüsü
3. Mod seçici/tork ayarlama bileziği
4. Mandren
5. Vites mandalı
6. Matkap/tornavida ucu yuvası
7. Akü

### Şekil A

8. Şarj cihazı fişi
9. Şarj cihazı
10. Şarj cihazı yuvası

### Montaj

**Uyarı!** Montajdan önce aküyü aletten çıkartın.

#### Akünün takılması ve çıkartılması (Şekiller B ve C)

- ◆ Aküyü (7) takmak için alet üzerindeki yuvası ile aynı hizaya getirin. Aküyü yuvaya geçirin ve yerine oturana kadar itin.
- ◆ Aküyü çıkartmak için çıkartma düğmesine (11) basın ve aynı anda akü yuvasından geri çekin.

#### Akü kapağının takılması (Şekil C)

**Uyarı!** Kapağı (12), aküye (7) nakliye ve saklama amacıyla takın.

#### Matkap veya tornavida ucunu takmak ve çıkartmak (Şekil D)

Bu alet, uçların kolayca değiştirilmesini sağlamak için anahtarsız bir mandren ile donatılmıştır.

- ◆ İleri/geri sürgüsünü (2) orta konuma getirerek aleti kilitleyin.
- ◆ Bir elinizle arka kısmı (14) tutarken diğer elinizle ön kısmı (13) çevirerek mandreni açın.
- ◆ Ucu mil kısmını (15) mandrene sokun ve mandreni sonuna kadar sıkın.

Bu alet, uç yuvasında (6) bir yıldız tornavida ucuyla tedarik edilmektedir.

- ◆ Tornavida ucunu uç yuvasından çıkartmak için kaldırarak oyuktan alın.
- ◆ Tornavida ucunu yerine koymak için yuvasına sıkıca bastırın.

#### Mandrenin çıkarılması ve yeniden takılması (Şekil E)

- ◆ Mandreni mümkün olduğunca açın.
- ◆ Mandrenin içindeki tutucu vidayı çıkarmak için, bir tornavidayla saat yönünde döndürün.

- ◆ Mandrenin içine bir Alyan anahtarı takarak sıkın ve gösterildiği gibi bir çekiçle anahtara vurun.
- ◆ Alyan anahtarını çıkarın.
- ◆ Mandreni saat yönünün tersine döndürerek çıkarın.
- ◆ Mandreni tekrar takmak için, onu milin üzerine vidalayın ve mandren tutucu vidayla sabitleyin.

### Diğer tehlikeler

Aletin kullanımıyla ilgili ekte sunulan güvenlik uyarılarına dahil olmayan ilave kalıcı riskler ortaya çıkabilir. Bu riskler, hatalı, uzun süreli kullanım vb. dolayısıyla ortaya çıkabilir.

Emniyet tedbirlerini düzenleyen yönetmeliğin uygulanmasına ve emniyet sağlayıcı aygıtların kullanılmasına rağmen, başka belirli risklerden kaçınılamaz. Bunlar:

- ◆ **Aletin dönen ve hareket eden parçalarına dokunma sonucu ortaya çıkan yaralanmalar.**
- ◆ **Herhangi bir parçayı, bıçak veya aksesuarı değiştirirken ortaya çıkan yaralanmalar.**
- ◆ **Aletin uzun süreli kullanılması sonucu ortaya çıkan yaralanmalar. Herhangi bir aleti uzun sürelerle kullanacaksanız düzenli olarak çalışmanıza ara verin.**
- ◆ **Duyma bozukluğu.**
- ◆ **Aleti kullanırken ortaya çıkan tozun solunması sonucu ortaya çıkan sağlık sorunları (örnek: ahşapta çalışırken, özellikle meşe, akçürge ve MDF.)**

### Kullanımı

**Uyarı!** Aletin kendi hızında çalışmasına izin verin. Aşırı yüklenmeyin.

**Uyarı!** Duvar, zemin veya tavanda delik açmadan önce kablo ve boruların konumunu kontrol edin.

#### Akünün şarj edilmesi (Şekiller A ve F)

Akünün, ilk kullanımdan önce ve daha önce kolayca yapılan işler için yeterli güç üretmediği hallerde şarj edilmesi gereklidir. Aküyü ilk kez veya uzun süre bekledikten sonra şarj ederken sadece %80 düzeyinde şarj olacaktır. Akü, şarj ve deşarj döngüsünden sonra, akü tam kapasitesine ulaşacaktır. Akü, şarj sırasında ısınabilir; bu normal bir durumdur ve bir sorun olduğuna işaret etmez.

**Uyarı!** Ortam sıcaklığı 10 °C'den düşük veya 40 °C'den yüksekse aküyü şarj etmeyin. Tavsiye edilen şarj sıcaklığı: yaklaşık 24 °C.

**Şarj cihazının kullanımı**

- ◆ Aküyü (7) şarj etmek için, aletten çıkartıp şarj cihazı yuvasını (10) akünün üzerine kaydırın.
- ◆ Şarj cihazını (9) prize takın.

Akü, şarj sırasında ısınacaktır. Yaklaşık 3 saat şarj edildikten sonra akü, normal uygulamalarda kullanılmak için yeterince şarj olmuş olacaktır.

Yaklaşık 8-10 saat şarj edildikten sonra akü tümüyle şarj olmuş olacaktır.

- ◆ Şarj cihazı yuvasını aküden çıkartın.

**Fişli şarj cihazı**

- ◆ Aküyü şarj etmek için matkaba takılı olduğundan emin olun.
- ◆ Şarj cihazı fişini (8) girişe sokun.
- ◆ Şarj cihazını prize takın.
- ◆ Şebekeyi açın.

Normal kullanımdan sonra 3 saatlik bir şarj süresi en iyi uygulama için yeterli gücü sağlayacaktır.

Ancak, 6 saat süreyle şarj edilmesi, akü ve şarj koşullarına bağlı olarak kullanım süresini önemli oranda arttırabilir.

- ◆ Aleti şarj cihazından ayırın.

**Uyarı!** Aleti, şarj cihazına bağlı halde kullanmayın.

**Dönme yönünün seçilmesi (Şekil G)**

Delik açma ve vida sıkma uygulamaları için ileri (saat yönünde) dönmeyi kullanın. Vidaları gevşetmek veya sıkışmış bir matkap ucunu çıkartmak için geri (saatin ters yönünde) dönmeyi kullanın.

- ◆ İleri dönmeyi seçmek için ileri/geri sürgüsünü (2) sola itin.
- ◆ Geri dönmeyi seçmek için ileri/geri sürgüsünü sağa itin.
- ◆ Aleti kilitlemek için ileri/geri sürgüsünü orta konuma getirin.

**Çalışma modu veya torkun seçilmesi (Şekil H)**

Bu alet, çalışma modunun seçilmesi ve vida sıkma torkunun ayarlanması için bir bilezikle donatılmıştır. Büyük vidalar ve üzerinde çalışılan sert malzemeler küçük vidalara ve yumuşak malzemelere göre daha yüksek bir tork ayarı gerektirir. Bilezik, uygulamanıza uyacak geniş bir ayar aralığına sahiptir.

- ◆ Ahşap, metal ve plastik delme işlemleri için **T** sembolünü işaretle (16) hizalayarak bileziği (3) delme konumuna getirin.
- ◆ Vida takma ve sökme işlemleri için bileziği istediğiniz konuma getirin. Henüz uygun ayarı bilmiyorsanız, aşağıda belirtildiği şekilde ilerleyin:

- Bileziği (3) en düşük tork ayarına getirin.
- Ardından ilk vidayı sıkın.
- Kavrama istenen sonuç elde edilmeden düşerse, bilezik ayarını yükselin ve vidayı sıkmaya devam edin. Doğru ayara ulaşıncaya kadar tekrarlayın. Kalan vidalar için de bu ayarı kullanın.

**Beton delme (Şekiller H ve I)**

- ◆ Duvar delme işlemleri için **T** sembolünü işaretle (16) hizalayarak bileziği (3) darbeli delme konumuna getirin.
- ◆ Vites mandalını (5) aletin önüne doğru kaydırın (2.hız).

**Vites mandalı (Şekil I)**

- ◆ Çelik delme ve vida takma ve sökme uygulamaları için vites mandalını (5) aletin arka kısmına doğru (1. hız) kaydırın.
- ◆ Çelik dışında bir maddeyi delme uygulamaları için vites mandalını (5) aletin ön kısmına doğru (2.hız) kaydırın.

**Delme/vida takma ve sökme**

- ◆ İleri geri sürgüsünü (2) kullanarak ileri veya geri yönde dönme fonksiyonunu seçin.
- ◆ Aleti açmak için, değişken hız düğmesine (1) basın. Aletin hızı, düğmeye ne kadar bastığınıza bağlıdır.
- ◆ Aleti kapatmak için, değişken hız düğmesini bırakın.

**Yararlı tavsiyeler****Delme**

- ◆ Daima matkap ucuna düz bir çizgide hafi f bir baskı uygulayın.
- ◆ Matkap ucu, üzerinde çalıştığınız parçanın öbür yüzünden çıkmadan hemen önce alet üzerindeki baskıyı azaltın.
- ◆ Parçalanabilecek parçaları desteklemek için ağaç bir takoz kullanın.
- ◆ Ahşapta büyük çaplı delikler delerken geniş ağızlı uç kullanın.
- ◆ Metali delerken HSS matkap uçları kullanın.
- ◆ Tuğla ve yumuşak betonda delik delerken beton matkap ucu kullanın.
- ◆ Döküm demir ve pirinç dışındaki metalleri delerken bir yağlayıcı kullanın.
- ◆ Doğruluğu geliştirmek için, delinecek deliğin ortasına bir merkez zımbası ile çentik atın.

**Vida takma ve sökme**

- ◆ Daima doğru tipte ve boyutta tornavida ucu takın.

## TÜRKÇE

- ◆ Vidaları sıkmakta zorlanıyorsanız, yağlayıcı olarak az miktarda deterjan veya sabun kullanmayı deneyin.
- ◆ Aleti ve tornavida ucunu daima vidaya dik bir çizgide tutun.

### Bakım

Black & Decker aletinizin minimum bakımla uzun bir süre çalışacak şekilde tasarlanmıştır. Kesintisiz olarak memnuniyet verici bir şekilde çalışması gerekli özenin gösterilmesine ve düzenli temizliğe bağlıdır.

Şarj cihazınız, düzenli temizlik dışında herhangi bir bakım gerektirmemektedir.

**Uyarı!** Herhangi bir bakım çalışmasına başlamadan önce aküyü aletten çıkartınız. Şarj cihazını temizlemeden önce fişten çekin.

- ◆ Aletinizdeki ve şarj cihazındaki havalandırma deliklerini yumuşak bir fırça veya kuru bir bezle düzenli olarak temizleyin.
- ◆ Motor muhafazasını düzenli olarak nemli bir bezle silin. Aşındırıcı veya çözücü bazlı temizleyiciler kullanmayın.
- ◆ Mandreni düzenli olarak tamamen açın ve içindeki tozu dökmek için hafifçe vurun.

### Çevrenin korunması



Ayrı olarak atın. Bu ürün, normal evsel atıklarla birlikte atılmamalıdır.

Black & Decker ürününüzün değiştirilmesi gerektiğini düşünmeniz veya artık kullanılamaz durumda olması halinde onu, evsel atıklarla birlikte atmayın. Bu ürünü, ayrı olarak toplanacak şekilde atın.



Kullanılmış ürünlerin ve ambalajların ayrı olarak toplanması bu maddelerin geri dönüşüme sokularak yeniden kullanılmasına olanak tanır. Geri dönüşümlü maddelerin tekrar kullanılması çevre kirliliğinin önlenmesine yardımcı olur ve ham madde ihtiyacını azaltır.

Yerel yönetmelikler, elektrikli ürünlerin evlerden toplanıp belediye atık tesislerine aktarılması veya yeni bir ürün satın alırken perakende satıcı tarafından toplanması yönünde hükümler içerebilir.

Black & Decker, hizmet ömrünün sonuna ulaşan Black & Decker ürünlerinin toplanması ve geri dönüşüme sokulması için bir imkân sunmaktadır. Bu hizmetin avantajlarından faydalanmak için,

lütfen, ürününüzü bizim adımıza teslim alacak herhangi bir yetkili servise iade edin.

Bu kılavuzda belirtilen listeden size en yakın yetkili tamir servisinin yerini öğrenebilirsiniz. Ya da, alternatif olarak internet'ten Black & Decker yetkili tamir servislerinin listesini ve satış sonrası hizmetlerimizle ilgili tüm bilgiler ve temas bilgilerine aşağıdaki siteden ulaşabilirsiniz [www.2helpU.com](http://www.2helpU.com).

### Aküler



Black & Decker aküleri defalarca yeniden şarj edilebilir. Hizmet ömürlerinin sonunda, aküleri çevremize gerekli özeni göstererek atın:

- ◆ Aküyü bitene kadar aleti çalıştırın, sonra aletten çıkartın.
- ◆ NiCd, NiMH ve Li-Ion aküler geri dönüşümlüdür. Aküleri yerel toplama merkezine teslim edin.

### Teknik özellikleri

		EPC126 (H1)	EPC146 (H1)	EPC186 (H1)
Voltaj	V <sub>DC</sub>	12	14,4	18
Yüksüz hızı	dev/dak	0-450/ 0-1400	0-450/ 0-1500	0-400/ 0-1350
Maks. tork	Nm	18	20	25
Mandren kapasitesi	mm	10	10	10
Maks. delme kapasitesi				
Çelik/Ahşap	mm	10/25	10/25	10/25

Akü	A12/A12E	A14/A14E	A18/A18E
Kapasite	Ah 1,0	1,0	1,0
Akü tipi	NiCd	NiCd	NiCd
Ağırlık	kg 0,5	0,6	0,7

Akü	A12NH	A14NH	A18NH
Kapasite	Ah 1,5	1,5	1,5
Akü tipi	NiMH	NiMH	NiMH
Ağırlık	kg 0,6	0,7	0,9

### Şarj cihazı

		90500843	90500844	90500845
		90500847	90500848	90500849
		90500855	90500856	90500857
		90500858	90500859	90500860
Giriş voltajı	V <sub>AC</sub>	230-240	230-240	230-240
Çıkış voltajı	V <sub>DC</sub>	14,5-15,3	17,4-18,2	21,75-22,6
Çıkış akımı	mA	210-220	200-210	210-230
Yaklaşık şarj süresi	saat	8-10	8-10	8-10



		EPC128 (H1)	EPC148 (H1)	EPC188 (H1)
Voltaj	V <sub>DC</sub>	12	14,4	18
Yüksüz hızı	dev/dak	0-450/ 0-1400	0-450/ 0-1500	0-400/ 0-1350
Maks. tork	Nm	18	22	25
Mandren kapasitesi	mm	10	10	10
Maks. delme kapasitesi				
Çelik/Ahşap	mm	10/25	10/25	10/25
Beton	mm	10	10	10

Akü	A12/A12E	A14/A14E	A18/A18E
Kapasite	Ah 1,0	1,0	1,0
Akü tipi	NiCd	NiCd	NiCd
Ağırlık	kg 0,5	0,6	0,7

Akü	A12NH	A14NH	A18NH
Kapasite	Ah 1,5	1,5	1,5
Akü tipi	NiMH	NiMH	NiMH
Ağırlık	kg 0,6	0,7	0,9

#### Şarj cihazı

		90500843	90500844	90500845
		90500847	90500848	90500849
		90500855	90500856	90500857
		90500858	90500859	90500860
Giriş voltajı	V <sub>AC</sub>	230-240	230-240	230-240
Çıkış voltajı	V <sub>DC</sub>	14,5-15,3	17,4-18,2	21,75-22,6
Çıkış akımı	mA	210-220	200-210	210-230
Yaklaşık şarj süresi	saat	8-10	8-10	8-10

#### EN 60745'e göre ses basıncı düzeyi:

Ses basıncı (L<sub>PA</sub>) 87 dB(A), belirsizlik (K) 3 dB(A)  
Akustik güç (L<sub>WA</sub>) 98 dB(A), belirsizlik (K) 3 dB(A)

#### EN 60745'e göre tespit edilen toplam titreşim değerleri (üç yönün vektör toplamı):

Betonda darbeli delme (a<sub>n,10</sub>) = 11,4 m/s<sup>2</sup>, belirsizlik (K) 1,5 m/s<sup>2</sup>,  
Metalde delme (a<sub>n,10</sub>) <2,5 m/s<sup>2</sup>, belirsizlik (K) 1,5 m/s<sup>2</sup>,  
Darbesiz vidalama (a<sub>n,10</sub>) <2,5 m/s<sup>2</sup>, belirsizlik (K) 1,5 m/s<sup>2</sup>

### AT Uygunluk Beyanati MAKİNE DİREKTİFİ



#### EPC126/EPC146/EPC186/ EPC148/EPC148/ EPC188

Black & Decker, «teknik özellikleri» bölümünde açıklanan bu ürünlerin aşağıda belirtilen yönergelere uygun olduğunu beyan eder: 2006/42/EC, EN 60745-1, EN 60745-2-1.

Daha fazla bilgi için, lütfen aşağıdaki adresten Black & Decker ile irtibata geçin veya kılavuzun arkasına bakın.

Bu belge altında imzası bulunan yetkili, teknik dosyanın derlenmesinden sorumludur ve bu beyanı Black & Decker adına vermiştir.

Kevin Hewitt  
Başkan Yardımcısı  
Global Mühendislik  
210 Bath Road, Slough  
Berkshire, SL1 3YD İngiltere  
13/07/2011

### Garanti

Black & Decker, ürünün kalitesinden emindir ve bu yüzden kanunlarda belirtilen taleplerin üstünde bir garanti verir. Ayrıca bu garanti hiçbir şekilde garanti ile ilgili kanuni haklarınızı ihlal etmez ve haklarınızı hiç bir şekilde kısıtlamaz. İşbu garanti Avrupa Birliği'ne üye ülkeler ile Avrupa Serbest Ticaret Bölgesi sınırları dahilinde geçerlidir.

Eğer bir Black & Decker ürünü, satın alma tarihinden itibaren 24 ay içinde hatalı malzeme, işçilik ya da uygunsuzluk nedeniyle bozulursa, müşteriye mümkün olabilecek en az sorunu yaşatarak Black & Decker hatalı kısımları değiştirmeyi, adil bir şekilde aşınmış ve yıpranmış ürünleri tamir etmeyi veya değiştirmeyi garanti eder. Ancak bu belirtilenler şu durumlar dışında geçerlidir:

- ◆ Ürün ticari veya profesyonel amaçlarla kullanılmışsa veya kiraya verilmişse;
- ◆ Ürün yanlış veya amaç dışı kullanılmışsa;
- ◆ Ürün yabancı nesnelere, maddelere veya kaza sırasında zarar görmüşse;
- ◆ Yetkili tamir servisleri veya Black & Decker servis ekibinden başkası tarafından tamir edilmeye çalışılmışsa.

Garanti talebinde bulunmak için, satıcıya veya yetkili tamir servisine satın aldığınıza dair ispat sunmalısınız. Fatura ve garanti kartı gerekmektedir. Bu kılavuzda belirtilen listeden size en yakın yetkili tamir servisinin yerini öğrenebilirsiniz. Ya da, alternatif olarak internet'ten Black & Decker yetkili tamir servislerinin listesini ve satış sonrası hizmetlerimizle ilgili tüm bilgiler ve temas bilgilerine aşağıdaki siteden ulaşabilirsiniz. [www.2helpU.com](http://www.2helpU.com)

Sanayi ve Ticaret Bakanlığı tebliğince kullanım ömrü 10 yıldır.

## TÜRKÇE

### **Türkiye Distribütörü**

KALE HIRDAVAT VE MAKİNA A.Ş.  
Defterdar Mah. Savaklar Cad. No. 15  
34050 Edirnekapı Eyüp İstanbul  
Tel: (0212) 533 52 55 (Pbx)  
Faks: (0212) 533 10 05  
E-posta: info@kalemakina.com

Şehir	Yetkili Servis	Adres	Telefon
1 Adana	Emin Elektrik Bobinaj	Kızılay Cad. 9 Sok. No: 9/D	0322 351 80 46
2 Afyon	Emek Motor	Karaman Mah. Gazlı Göl Cad. No: 15	0272 212 11 14
3 Ağr	Tamgüç Bobinaj	Kağızman Cad. No: 42	0472 215 70 41
4 Amasya	Akotek Ticaret	Yeniöl Cad. No: 85	0358 218 71 19
5 Ankara	Orhan Bobinaj	Yalınç Sok. No: 17 Site1er	0312 350 95 29
6 Ankara	Orhan Bobinaj Şube	41. Sok. No: 39 Ostim	0312 385 92 92
7 Ankara	Yığıt Bobinaj	668. Sok. No: 8 Eminel Koop. İvedik Ostim	0312 395 05 37
8 Ankara	Başak Elektrik	Ahievran Cad. 36. sok. No: 2 Ostim	0312 386 20 84
9 Antalya	E.Ş.A Elektrik	San. Sit. 682. Sok No: 38	0242 345 36 22
10 Antalya	Yaşar Bobinaj	Aşağı Pazarcı Mah. San. Girişi No: 19 Manavgat	0242 742 44 07
11 Antalya	Uslu Bobinaj	G. Pınarı Mah. Oba Yolu Üzeri no: 27/C Alanya	0242 511 57 01
12 Aydın	Tacıroğlu Kaya Bobinaj	1.San. Sit. Üst San. Cad. 2. Sok. No: 31/A	0256 212 70 48
13 Aydın	Saydam Motor	Küçük San. Sit. Çubukçu Sok. No: 2/B Söke	0256 512 81 91
14 Aydın	Özgür Bobinaj	Kuşadası San. Sit. j Blok no:13 Kuşadası	0256 622 1373
15 Aydın	Ege Bobinaj	Yeni Mah Atatürk Bul. No:206/E Didim	0256 811 05 95
16 Balıkesir	Tezger Bobinaj	Yeni San. Sit. Cumhuriyet Cad. 198/A	0266 246 23 01
17 Balıkesir	Küre Bobinaj	Atatürk Cad. No: 104 Bandırma	0266 718 46 79
18 Batman	Topız Bobinaj	Cumhuriyet Cad. 1512 Sok. No: 50	0488 214 87 70
19 Bolu	Kilitçi Ticaret	Aşağı Soku San. Sit. 37.Blok No:16	0374 215 43 64
20 Bursa	Vokart Ltd. Şti.	Gazlılar Cad. Erikli Bahçe Sok. No: 7/B	0224 254 48 75
21 Çanakkale	Kısacık Bobinaj	Namık Kemal Mah. Kaynak Sok. No: 41	0286 217 96 71
22 Çanakkale	Ovalı Bobinaj	Hamdiyeh Mah. İstiklal Cad. No: 160 Biga	0286 316 49 66
23 Çorum	Emek Bobinaj	Küçük San. Sit. 23. Cad No: 5/C	0364 234 68 84
24 Denizli	Örsler Bobinaj	Sedef Çarşısı 9/10	0258 261 42 74
25 Diyarbakır	Çetsan Elektrik	San. Sit. Karakol Sok. No: 1	0412 237 29 04
26 Düzce	Yıldız Makina	Burhaniye Mah. Gen. Kazım Sok. No: 10	0380 514 70 56
27 Edirne	Efe Bobinaj	Küçük San. Sit. 22. Blok	0284 225 35 73
28 Edirne	Demir Bobinaj	San. Sit. 7. Blok No: 3 Keşan	0284 714 38 26
29 Elazığ	Kalender Elektrik Bobinaj	San. Sit. 11. Sok No: 46	0424 224 85 01
30 Erzurum	Ümit Elektrik Makina	San. Çarşısı 770 Sok. No: 71	0446 224 08 01
31 Erzurum	Bursan Bobinaj	San. Sit. 5. Blok No: 135	0442 242 77 28
32 Eskişehir	Escorm Elektronik	Kırmızı Toprak Mah. Ali Fuat Güven Cad. No 31/A	0222 224 15 30
33 Gaziantep	Eser Bobinaj	K.S.S.A Blok 11. Cad.25. Ada No: 55 Ş.Kamil	0342 235 50 84
34 Gaziantep	Karağahin Bobinaj	İsmet Paşa Mah. Şenyurt Cad. No: 35	0342 231 17 33
35 Hatay	Öz Kardeş Bobinaj	Yeni San. Sit. 38/A Blok No: 34	0326 221 22 91
36 Isparta	Izmir Bobinaj	Yeni San. Sit. 6 Blok No: 28	0246 223 70 11
37 İstanbul	Akel El. Servis Hizmetleri	Nato Yolu Caddesi Özgün Sok. No: 1 Y.Dudullu	0216 540 53 55
38 İstanbul	Birik Elektromekanik	Perpa Tic. Mer. B Blok Mavi Avlu Kat.4 No: 318 Okmeydanı	0212 222 94 18
39 İstanbul	Fırat Dış Ticaret	Tersane Cad. Kuthan No: 38 Kat 3 Karaköy	0212 252 93 43
40 İstanbul	Kardeşler Bobinaj	Çağlayan Mah. Sinanpaşa Cad.No: 5 Çağlayan	0212 224 97 54
41 İstanbul	Mert Elektrik	İkitemli Org. Demirciler San. Sit. D-2 Blok No: 280 İkitemli	0212 549 65 78
42 İstanbul	Svs Teknik	İstasyon Cad. Gibtaş San. Sit. F Blok No: 24 Tuzla	0216 446 69 39
43 İstanbul	Tarık Makina	Bağdat Cad. Adalı Sok. No: 8 Maltepe	0216 441 05 59
44 İstanbul	Tekniker Bobinaj	Birik San. Sit. 1. Cad. K.Dükkanlar No: 15 Beylikdüzü	0212 875 17 78
45 İstanbul	Orjinal Elektrik	Bağlar Mah. Mimar Sinan Cad. No:24 Güneşli	0212 515 67 71
46 İzmir	Birik Bobinaj	2824 Sok. No: 18/1. San. Sit. Halkapınar	0232 458 39 42
47 İzmir	Boro Civata	1203/2 Sok. No: 21-B Yenisehir	0232 469 80 70
48 İzmir	Çüneyt Bobinaj	Cüneyt Bey Mah. İbrahim Turan Cad. No 98/A Menderes	0232 782 10 84
49 İzmir	Doruk Hirdavat	1426 Sok. No: 14 Hurdacılar Sitesi Doğanlar Bornova	0232 478 14 12
50 Karaman	Özüm Elektrik Bobinaj	Yeni San. Sit. 735. Sok. No: 2	0338 212 32 69
51 Kastamonu	Teknik Bobinaj	İnönü Mah. Inebolu Cad. No: 132	0366 212 62 26
52 Kayseri	Akın Elektrik Bobinaj	Eski San. Bölgesi 5. Cad. No: 8	0352 336 41 23
53 Kırklareli	Tarık Elektronik	K.İbrahim Mah. M.Kemal Bulvarı No: 72/C	0288 214 19 72
54 Kırklareli	Yalçın Bobinaj	Yeni San. Sit. C3 Blok No:55 Lüleburgaz	0288 412 41 97
55 Kocaeli	Efe Elektrik Bobinaj	Körfez San. Sit. 12. Blok No: 13	0262 335 18 94
56 Kocaeli	Gülsoy Bobinaj	S.Orhan Mah. İlyasbey Cad.1111 Sk No: 5/1 Gebze	0262 646 92 49
57 Kocaeli	Teknik Karot	Gaziler Mah. İbrahimaga Cad. No:125 Gebze	0262 642 79 10
58 Konya	Meb. Murat Elk. Bobinaj	Karatay San. Sit. Fatih Mah. Çiçekli Sok. No: 10	0332 235 64 63
59 Konya	Sözenerler Bobinaj	Fevzi Çakmak Mah. Komsan İş Merkezi Anamur 10562 Sok. No:8	0332 342 63 18
60 Kütahya	Doğan Bobinaj	Yeni San. Sit. 19. Sok: 28/1	0274 231 22 00
61 Malatya	Özer Bobinaj	Yeni San. Sit. 2. Cad. No: 95	0422 336 39 53
62 Manisa	Çavuş Bobinaj	Kurtuluş Mah. Fatih Cad. No: 44/A Soma	0236 614 13 78
63 Manisa	Üslu Bobinaj Ve Makina	Güzelyurt Mah. Kenan Evren San. Sit. 5309 Sok. No: 63/A	0236 236 33 86
64 Mersin	Şekerler Elektrik Bobinaj	Nusratiye Mah. 5005 Sok. No: 20/A	0324 336 70 98
65 Mersin	Üniversal Bobinaj	Nusratiye Mah. Çiftçiler Cad.68 Sok. No: 19	0324 233 44 29
66 Muğla	Bodrum Makina	Türkuyusu Mah.San. Sit. Ethem Demiroz Sok. No: 8 Bodrum	0252 316 28 51
67 Muğla	General Elektrik Bobinaj	Taşyaka Mah. San. Sit. 260. Sok. No: 18 Fethiye	0252 612 38 34
68 Muğla	Başaran Teknik	Beldibi Cad. Sanayi Girişi No: 5/C Marmaris	0252 419 20 29
69 Muğla	Öztürk Bobinaj	Atakent Mah. Çevreyolu Üzeri Dalaman	0252 697 64 98
70 Nevşehir	Çiftgüç Soğutma	Yeni San. Sit. 8. Blok No: 28	0384 213 19 96
71 Niğde	Emek Motor	Eski San. Çarşısı 1.Blok No: 2	0388 232 83 59
72 Sakarya	Enğin Elektrik Bobinaj	Maltepe Mah. Orhan Gazi Cad. Şehit Metin Akkuş Sok. No: 19	0264 291 05 67
73 Samsun	Akış Bobinaj	Ulus Cad.San. Sit. Keresteciler Kısmı No: 40	0362 238 07 23
74 Sivas	Bayraktar Elektrik	Yeni Çarşısı No: 72/C	0346 221 47 55
75 Şanlıurfa	Ay Elektrik	Samsat Kapı Aşağıroğlu Garajı No: 19	0414 215 74 76
76 Tekirdağ	Birkan Teknik	Şeyhinsin Mah. Ş.Pilot.İ.Aksoy Sok. Aksoy Psj. No: 20/7-B ÇORLU	0282 654 50 91
77 Tekirdağ	Çetin Elektrik Bobinaj	100.Yıl San. Sit. 14B Blk. No: 10	0282 263 86 60
78 Tokat	Çetin Elektrik Bobinaj	San. Sit. Camii Altı No: 22	0356 214 63 07
79 Trabzon	Akçay Bobinaj Makina	Yaylaçık Mah. Tosun San Sit No: 3 Akçaabat	0462 222 54 26
80 Trabzon	Makina Market	Rize Cad. No: 71 Değirmendere	0462 328 14 80
81 Uşak	Zengin Bobinaj	İsliçe Mah. Ürem Sok. No: 10/C	0276 227 27 46
82 Van	Özen Elektrik Bobinaj	Algeçik Pasajı No: 41	0432 214 22 20
83 Yalova	Deniz El. Ser. Hizmetleri	Hürriyet Mah. Eski Bursa Cad. No: 39 Altınova	0226 461 22 43
84 Zonguldak	Genel Elektromotor	Çınarpete Mah.T.T.K 69 Ambarları 4. Kısım	0372 268 08 64
85 Zonguldak	Tümen Makina	Kışla Sanayi Sit. D Blok No: 17 Kdz.Ereğli	0372 323 74 97

KALE HIRDAVAT VE MAKİNA A.Ş. SERVİS MÜDÜRLÜĞÜ TEL. 0212 533 98 34

## BLACK & DECKER JÓTÁLLÁSI JEGY ÉS JÓTÁLLÁSI FELTÉTELEK

Gratulálunk Önnek ennek az értékes Black & Decker készülék megvásárlásához.

Azon termékeinkre, amelyet fogyasztói szerződés keretében háztartási, hobby célra vásárolnak **24 hónap jótállást vállalunk**.

### A termék iparszerű használatra nem alkalmas!

A jótállás a fogyasztó jogszabályból eredő jogait nem érinti.

- 1) A Stanley Black & Decker Hungary Kft. a jótállás, kellek- és termékszavatosság keretében végzett javításokat vagy a termék kicserélését 19/2014. (IV.29.) NGM rendelet és a 151/2003. (IX.22.) Kormányrendelet szerint végzi a jótállási idő, illetve a kellek- és termékszavatossági jogok érvényesíthetőégének teljes időtartama alatt.
  - a) A fogyasztó jótállási igényét a jótállási jeggyel érvényesítheti, ezért kérjük azt őrizze meg.
  - b) Vásárláskor a forgalmazónak (kereskedőnek) a jótállási jegyben fel kell tüntetnie a fogyasztási cikk azonosításra alkalmas megnevezését, típusát, gyártási számát, továbbá – amennyiben van ilyen – azonosításra alkalmas részeinek meghatározását, illetve a fogyasztó részére történő átadásának időpontját. A jótállási jegyet a forgalmazó (kereskedő) nevében eljáró személynek alá kell írnia és a kereskedés azonosítására alkalmas tartalmú (minimum cégnev, üzlet címe) bélyegzővel olvashatóan le kell bélyegezni. Kérjük, kísérfje figyelemmel a jótállási jegy megfelelő érvényesítését, mivel a kijelölt szervizeknél a jótállási igény csak érvényes jótállási jeggyel érvényesíthető. Amennyiben a jótállási jegy szabálytalanul került kiállításra, jótállási igényével kérjük forduljon a termékhez az Ön részére értékesítő partnerünkhöz (kereskedőhöz). A jótállási jegy szabálytalan kiállításra vagy a fogyasztó rendelkezésére bocsátás elmaradása nem érinti a jótállási érvényességét. Kérjük, hogy a jótállási jegyben kívül a nyugtát vagy számlát is szíveskedjen megőrizni a gyorsabb és hatékonyabb ügyintézés érdekében, mert a szerződés megkötése az ellenérték megfizetését igazoló bizonylattal is bizonyítható.
  - c) Elvesztett jótállási jegyet csak a fogyasztói szerződés létrejöttét igazoló nyugta vagy számla ellenében tudunk pótolni!
- 2) **Nem terjed ki a jótállás:**
  - a) amennyiben a hiba oka rendeltetésellenes, illetve a mellékelt magyar nyelvű használati kezelési útmutatóban foglaltaktól eltérő használat, átalakítás, szakszerűtlen kezelés, helytelen tárolás, elemi kár vagy egyéb a vásárlás után a fogyasztó érdekkörében keletkezett ok miatt következik be;
  - b) amennyiben a terméket iparszerű (professzionális) célokra használták, kölcsönzési szolgáltatás nyújtásához használták fel (nem fogyasztói szerződés);
  - c) azon alkatrészekre, amelyek esetében a meghibásodás a jótállási időn belüli rendeltetéseszerű használat mellett következett be (így különösen: fűrészlánc, fűrészlap, gyalukés, meghatószij, csapágyak, szénkefe, csillagkerék);
  - d) a készülék túlterhelése miatt jelentkező hibákra, amelyek a hajtómű meghibásodásához, vagy egyéb ebből adódó károkhöz vezetnek;
  - e) a termék nem hivatalos szervizben történt javításából eredő hibákra;
  - f) az olyan károsodásokra, amelyek nem eredeti Black & Decker kiegészítő készülékek és tartozékok használatából adódnak amennyiben a szakszerviz bizonyítja, hogy a hiba a fenti okok valamelyikére vezethető vissza.
- 3) A fogyasztó a kijavítás vagy csere iránti igényét a jótállási időn belül a kereskedőnél, illetve kijavítás iránti igényét a jótállási jegyben feltüntetett javítószolgálatnál is érvényesítheti.

Termékszavatossági igényét kérjük a jótállási jegyen feltüntetett gyártónak vagy forgalmazónak szíveskedjen bejelenteni.

- a) Nem számít bele a jótállási időbe a kijavítási időnek az a része, amely alatt a fogyasztó a terméket nem tudta rendeltetéseszerűen használni.
  - b) A terméknek a kicseréléssel vagy kijavítással érintett részére a jótállási idő újból kezdődik.
  - c) Ha a fogyasztási cikk a vásárlástól (üzembe helyezéstől) számított három munkanapon belül meghibásodik, a fogyasztó ezen időtartamon belül kérheti annak kicserélését feltéve, hogy a meghibásodás a rendeltetéseszerű használat akadályozza. A hiba fennállásának, vagy a rendeltetéseszerű használatot akadályozó mérték megállapításához a kereskedő kérheti a szakszerviz közreműködését.
  - d) Amennyiben a jótállási igény bejelentését követően a kereskedő az igény teljesíthetőségéről azonnal nem tud nyilatkozni, úgy öt munkanapon belül kell értesítenie a fogyasztót az állásaportjáról.
  - e) Ha a kijavítás vagy a csere nem lehetséges, a fogyasztó választása szerint műszakilag és értékben hasonló készülék kerül felajánlásra, vagy a vételár arányos leszállításra kerül sor, avagy visszafizetésre kerül a vételár.
  - f) A termék hibája miatt a fogyasztó a forgalmazótól is követelheti a hiba kijavítását vagy a termék kicserélését a forgalomba hozattalól számított két év elteltéig (termékszavatosság).
- 4) A jótállás alapján történő javítás során a forgalmazónak, illetve a javítószolgálatnak (kereskedőnek) törekednie kell arra, hogy a kijavítást legfeljebb 15 napon belül megfelelő minőségben elvégezze, elvégeztesse.

A jótállás keretében tartozó kijavítás vagy csere esetén a forgalmazó, illetve a javítószolgálat a jótállási jegyen köteles feltüntetni:

- a kijavítás iránti igény bejelentésének és a kijavításra történő átvétel időpontját,
- a hiba okát és a kijavítás módját;
- a termékfogyasztó részére történő visszaadásának időpontját,
- a kicserélés tényét és időpontját.

### A termék meghibásodása esetén a fogyasztót az alábbi jogok illetik meg:

Elsősorban - választása szerint - kijavítást vagy kicserélést követelhet. A csereigény akkor megalapozott, ha a termék a fogyasztónak okozott jelentős kényelmetlenség nélkül, megfelelő minőségben és ésszerű határidőn belül, értékcsökkenés nélkül nem javítható ki, vagy nem kerül kijavításra.

Ha az előírt módon történő kijavításra, illetve kicserélésre vonatkozó kötelezettségének a forgalmazó nem tud eleget tenni, a fogyasztó – választása szerint – a vételár arányos leszállítását igényelheti, a hibát a forgalmazó költségére maga kijavíthatja, vagy elállhat a szerződéstől (a hibás áru visszaszolgáltatásával egyidejűleg kérheti a nyugtán vagy számlán feltüntetett bruttó vételár visszatérítését). Jelentéktelen hiba miatt elállásnak nincs helye!

Kérjük, hogy a hiba felfedezését követő legkorábbi időn belül szíveskedjen azt a szervizben vagy a forgalmazónál bejelenteni. A kijavítást vagy kicserélést - a dolog tulajdonságaira és a fogyasztó által elvárható rendeltetésére figyelemmel - megfélel határidőn belül, a fogyasztó érdekeit kímélve kell elvégezni.

Gyártó:	Forgalmazó:
Black & Decker Europe,	Stanley Black & Decker Hungary Kft
210 Bath Road, Slough,	1016. Budapest,
Berkshire, SL13YD,	Mészáros u. 58/B
Egyesült Királyság	

**Fogyasztói jogvita esetén a fogyasztó a megyei (fővárosi) kereskedelmi és iparkamarák mellett működő békéltető testület eljárását is kezdeményezheti!**

**Kereskedő által a vásárlással egyidejűleg kitöltendő**

Kereskedő neve és címe:

.....

A fogyasztási cikk megnevezése:.....

Tipusa: .....

Gyártási száma: .....

Szerződésköltés és a termék fogyasztó részére történő átadásának

dátuma: .....

..... P.H.

aláírás

**Kereskedő által kitöltendő kicserélés esetén**

A fogyasztó a hibás terméket valamennyi tartozékával átadta.

A kicserélés időpontja:

..... P.H.

aláírás

A hibátlan terméket átvettem.

A kicserélt új termék átvételének időpontja: .....

.....

**fogyasztó aláírása**

**Kijavítás esetén a szerviz tölti ki:**

**1. javítás**

A kijavítás iránti igény bejelentésének és a kijavításra átvétel időpontja:

.....

A bejelentett hiba oka és a kijavítás módja:

.....

A fogyasztó részére történő visszaadás időpontja:

.....

Amennyiben a termék nem javítható, a csereigény alapos:

igen / nem (aláhúzással jelölendő)

..... P.H.

aláírás

**3. javítás**

A kijavítás iránti igény bejelentésének és a kijavításra átvétel időpontja:

.....

A bejelentett hiba oka és a kijavítás módja:

.....

A fogyasztó részére történő visszaadás időpontja:

.....

Amennyiben a termék nem javítható, a csereigény alapos:

igen / nem (aláhúzással jelölendő)

..... P.H.

aláírás

**2. javítás**

A kijavítás iránti igény bejelentésének és a kijavításra átvétel időpontja:

.....

A bejelentett hiba oka és a kijavítás módja:

.....

A fogyasztó részére történő visszaadás időpontja:

.....

Amennyiben a termék nem javítható, a csereigény alapos:

igen / nem (aláhúzással jelölendő)

..... P.H.

aláírás

**4. javítás**

A kijavítás iránti igény bejelentésének és a kijavításra átvétel időpontja:

.....

A bejelentett hiba oka és a kijavítás módja:

.....

A fogyasztó részére történő visszaadás időpontja:

.....

Amennyiben a termék nem javítható, a csereigény alapos:

igen / nem (aláhúzással jelölendő)

..... P.H.

aláírás

**MAGYAR**

## Stanley Black & Decker Hungary Kft

Iroda

1016 Bp. Mészáros u 58/b.

Tel.

214-05-61

Fax.

214-69-35

### Központi Márkaszerviz

Elérhetőség

ROTEL Kft. Márkaszerviz 1163 Bp. (Sashalom) Thököly út 17.

Tel/fax

403-22-60, 404-00-14,  
403-65-33

service@rotelkft.hu

www.rotelkft.hu

### Garancián túli javító ill. garanciális átvévhelyek

Város	Szervizállomás	Cím	Telefon
Cegléd	Megatool Kft.	2700, Széchenyi út 4.	53/311-284
Debrecen	Spirál-szerviz kft	4025, Nyugati út 5-7.	52443-000
Hajdúböszörmény	Vill-For Szerviz Bt	4220, Baltházár u. 26.	52/561-135
Kaposvár	Kaposvári Kíségjavító és Ért. BT	7400, Fő u.30.	82/318-574
Nagykanizsa	Vektor2000BT	8800, Király u 34.	93/310-937
Nyíregyháza	Charon Trade Kft	4400, Kállói út 85/b	42/460-154
Nyíregyháza	Tóth Kíségpszerviz	4400, Vasgyár u.2/f	42/504-082
Pécs	Elektrió Kft.	7623, Szabadság u.28.	72/555-657
Szeged	Csavarker Plus Kft	6721, Brüsszeli krt.16.	62/542-870
Székesfehérvár	Kíségp Center Bt.	8000, Széna tér 3.	22/340-026
Szolnok	Valido BT	5000 Dr Elek István u 5	20/4055711
Szombathely	Rotor Kft.	9700, Vasút u.29.	94/317-579
Tápiószecső	ÁCS.I Ker és Szolg Kft	2251, Pesti út 31-es főút	29/446-615



**CZ** ZÁRUČNÍ LIST

**PL** KARTA GWARANCYJNA

**H** JÓTÁLLÁSI JEGY

**SK** ZÁRUČNÝ LIST



**CZ** měsíců  
**H** hónap

**24**

**PL** miesiące  
**SK** mesiacov

<b>CZ</b>	Výrobní kód	Datum prodeje	Razítko prodejny Podpis
<b>H</b>	Gyári szám	A vásárlás napja	Pecsét helye Aláírás
<b>PL</b>	Numer seryjny	Data sprzedaży	Stempel Podpis
<b>SK</b>	Číslo série	Dátum predaja	Pečiatka predajne Podpis

(CZ)

Adresy servisu  
Band Servis  
Klásterského 2  
CZ-140 00 Praha 4  
Tel.: 00420 244 403 247  
Fax: 00420 241 770 167

Band Servis  
K Pasekám 4440  
CZ-76001 Zlín  
Tel.: 00420 577 008 550,1  
Fax: 00420 577 008 559  
<http://www.bandservis.cz>

(H)

Black & Decker Központi  
Garanciális-és Márkaszerviz  
1163 Budapest  
(Sashalom) Thököly út 17.  
Tel.: 403-2260  
Fax: 404-0014  
[www.rotelkft.hu](http://www.rotelkft.hu)

(PL)

Adres serwisu centralnego  
ERPATECH  
ul. Bakaliowa 26  
05-080 Mościska  
Tel.: 022-8620808  
Fax: 022-8620809

(SK)

Adresa servisu  
Band Servis  
Paulínska ul. 22  
SK-91701 Trnava  
Tel.: 00421 335 511 063  
Fax: 00421 335 512 624

(CZ)	Dokumentace záruční opravy			(PL)	Przebieg napraw gwarancyjnych	
(H)	A garanciális javítás dokumentálása			(SK)	Záznamy o záručných opravách	
CZ	Číslo	Datum příjmu	Datum zakázky	Číslo zakázky	Závada	Razítko Podpis
H	Sorszám	Bejelentés időpontja	Javítási időpont	Javítási munkalapszám	Hiba jelleg oka	Pecsét Aláírás
	Jótállás új határideje					
PL	Nr.	Data zgłoszenia	Data naprawy	Nr. zlecenia	Przebieg naprawy	Stempel Podpis
SK	Číslo dodávky	Dátum nahlásenia	Dátum opravy	Číslo objednávky	Popis poruchy	Pečiatka Podpis



