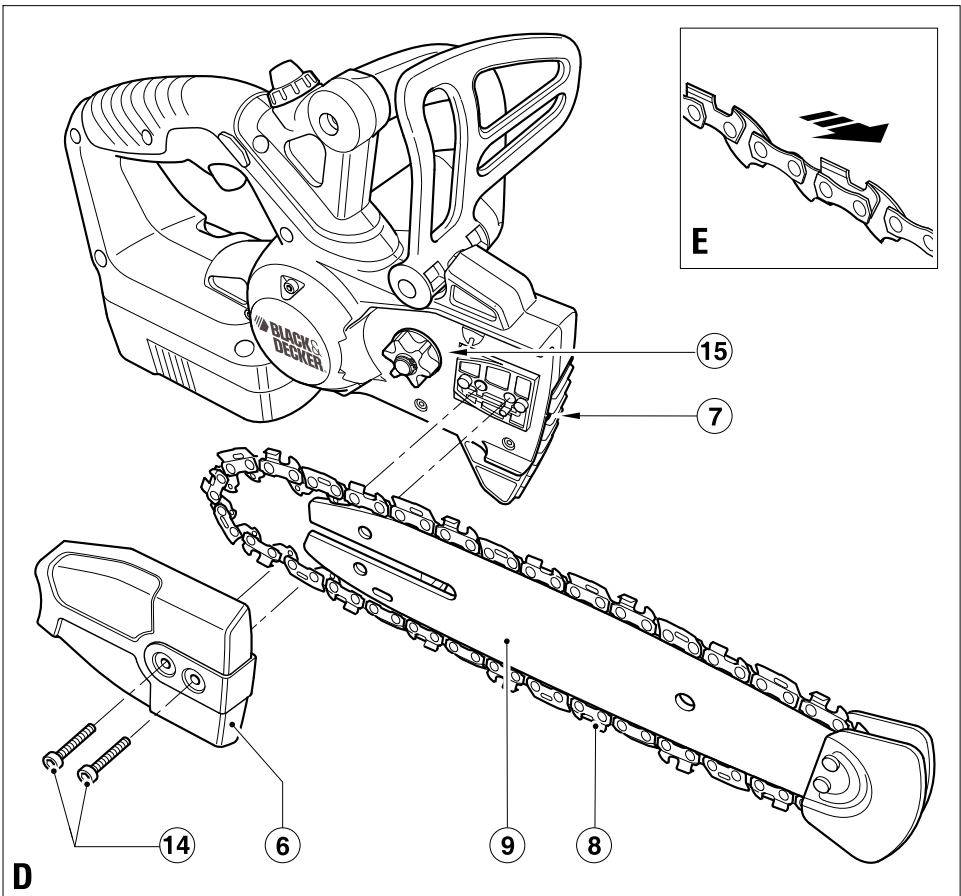
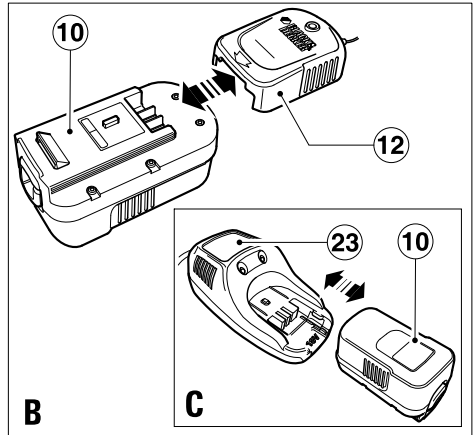
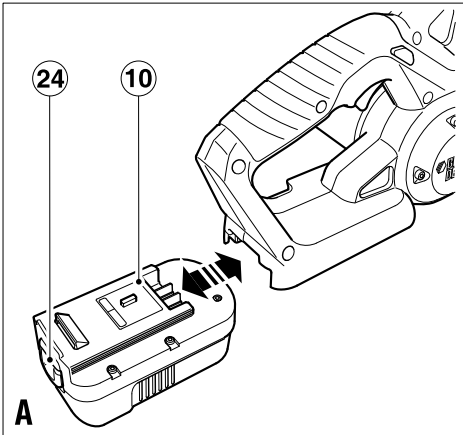
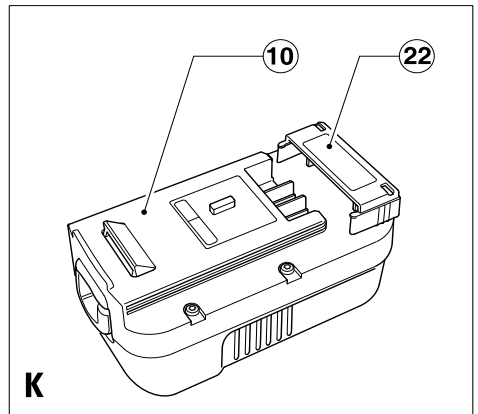
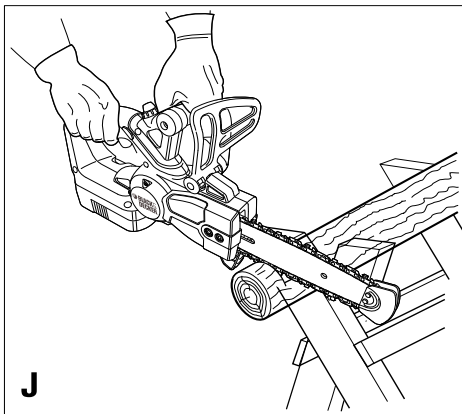
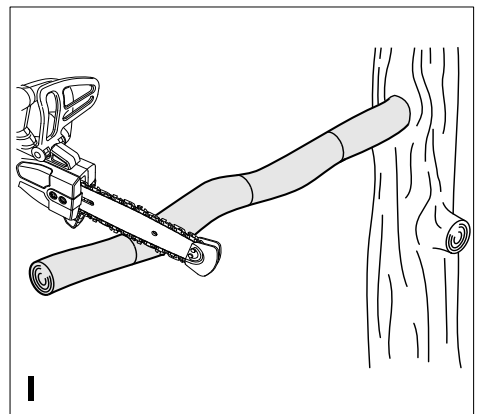
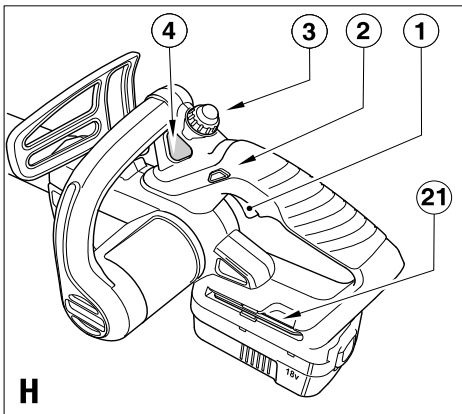
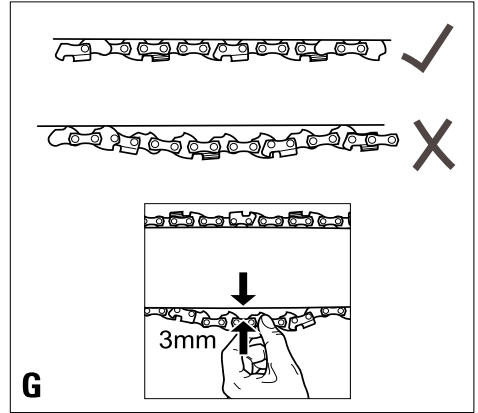
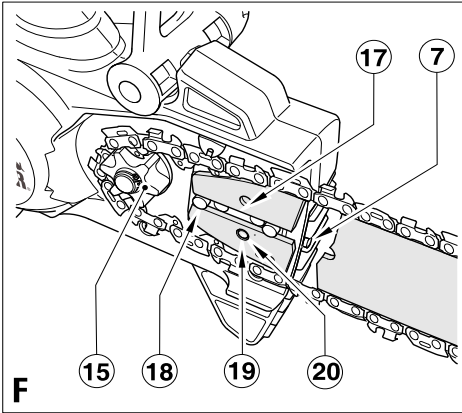


<b>English</b>	<b>(Original instructions)</b>	<b>5</b>
<b>Deutsch</b>	<b>(Übersetzung der ursprünglichen Anweisungen)</b>	<b>15</b>
<b>Français</b>	<b>(Traduction des instructions initiales)</b>	<b>26</b>
<b>Italiano</b>	<b>(Traduzione del testo originale)</b>	<b>37</b>
<b>Nederlands</b>	<b>(Vertaling van de originele instructies)</b>	<b>48</b>
<b>Español</b>	<b>(Traducción de las instrucciones originales)</b>	<b>59</b>
<b>Português</b>	<b>(Tradução das instruções originais)</b>	<b>70</b>
<b>Svenska</b>	<b>(Översättning av originalanvisningarna)</b>	<b>81</b>
<b>Norsk</b>	<b>(Oversettelse av de opprinnelige instruksjonene)</b>	<b>91</b>
<b>Dansk</b>	<b>(Oversættelse af de oprindelige instruktioner)</b>	<b>101</b>
<b>Suomi</b>	<b>(Alkuperäisten ohjeiden käännös)</b>	<b>111</b>
<b>Ελληνικά</b>	<b>(Μετάφραση των πρωτότυπων οδηγιών)</b>	<b>121</b>





## Intended use

Your Black & Decker Compact Chainsaw has been designed for light duty cutting and pruning. This tool is intended for consumer use only.

## Safety instructions

### General power tool safety warnings



**Warning! Read all safety warnings and all instructions.** Failure to follow all instructions may result in electric shock, fire and/or serious injury.

### Save all warnings and instructions for future reference.

The term "power tool" in all of the warnings listed below refers to your mains operated (corded) power tool or battery operated (cordless) power tool.

1. **Work area safety**
  - a. **Keep work area clean and well lit.** Cluttered and dark areas invite accidents.
  - b. **Do not operate power tools in explosive atmospheres, such as in the presence of flammable liquids, gases or dust.** Power tools create sparks which may ignite the dust or fumes.
  - c. **Keep children and bystanders away while operating a power tool.** Distractions can cause you to lose control.
2. **Electrical safety**
  - a. **Power tool plugs must match the outlet. Never modify the plug in any way. Do not use any adapter plugs with earthed (grounded) power tools.** Unmodified plugs and matching outlets will reduce risk of electric shock.
  - b. **Avoid body contact with earthed or grounded surfaces such as pipes, radiators, ranges and refrigerators.** There is an increased risk of electric shock if your body is earthed or grounded.
  - c. **Do not expose power tools to rain or wet conditions.** Water entering a power tool will increase the risk of electric shock.
  - d. **Do not abuse the cord. Never use the cord for carrying, pulling or unplugging the power tool. Keep cord away from heat, oil, sharp edges or moving parts.** Damaged or entangled cords increase the risk of electric shock.
  - e. **When operating a power tool outdoors, use an extension cord suitable for outdoor use.** Use of a cord suitable for outdoor use reduces the risk of electric shock.
  - f. **If operating a power tool in a damp location is unavoidable, use a Residual Current Device (RCD) protected supply.** Use of an RCD reduces the risk of electric shock.
3. **Personal safety**
  - a. **Stay alert, watch what you are doing and use common sense when operating a power tool. Do not use a power tool while you are tired or under the influence of drugs, alcohol or medication.** A moment of inattention while operating power tools may result in serious personal injury.
  - b. **Use personal protective equipment. Always wear eye protection.** Protective equipment such as dust mask, non-skid safety shoes, hard hat, or hearing protection used for appropriate conditions will reduce personal injuries.
  - c. **Prevent unintentional starting. Ensure the switch is in the off-position before connecting to power source and/or battery pack, picking up or carrying the tool.** Carrying power tools with your finger on the switch or energising power tools that have the switch on invites accidents.
  - d. **Remove any adjusting key or wrench before turning the power tool on.** A wrench or a key left attached to a rotating part of the power tool may result in personal injury.
  - e. **Do not overreach. Keep proper footing and balance at all times.** This enables better control of the power tool in unexpected situations.
  - f. **Dress properly. Do not wear loose clothing or jewellery. Keep your hair, clothing and gloves away from moving parts.** Loose clothes, jewellery or long hair can be caught in moving parts.
  - g. **If devices are provided for the connection of dust extraction and collection facilities, ensure these are connected and properly used.** Use of these devices can reduce dust related hazards
4. **Power tool use and care**
  - a. **Do not force the power tool. Use the correct power tool for your application.** The correct power tool will do the job better and safer at the rate for which it was designed.
  - b. **Do not use the power tool if the switch does not turn it on and off.** Any power tool that cannot be controlled with the switch is dangerous and must be repaired.
  - c. **Disconnect the plug from the power source and/or the battery pack from the power tool before making any adjustments, changing accessories, or storing power tools.** Such preventive safety measures reduce the risk of starting the power tool accidentally.

- d. **Store idle power tools out of the reach of children and do not allow persons unfamiliar with the power tool or these instructions to operate the power tool.** Power tools are dangerous in the hands of untrained users.
- e. **Maintain power tools. Check for misalignment or binding of moving parts, breakage of parts and any other condition that may affect the power tools operation. If damaged, have the power tool repaired before use.** Many accidents are caused by poorly maintained power tools.
- f. **Keep cutting tools sharp and clean.** Properly maintained cutting tools with sharp cutting edges are less likely to bind and are easier to control.
- g. **Use the power tool, accessories and tool bits etc. in accordance with these instructions, taking into account the working conditions and the work to be performed.** Use of the power tool for operations different from those intended could result in a hazardous situation.
- 5. **Battery tool use and care**
  - a. **Recharge only with the charger specified by the manufacturer.** A charger that is suitable for one type of battery pack may create a risk of fire when used with another battery pack.
  - b. **Use power tools only with specifically designated battery packs.** Use of any other battery packs may create a risk of injury and fire.
  - c. **When battery pack is not in use, keep it away from other metal objects, like paper clips, coins, keys, nails, screws or other small metal objects, that can make a connection from one terminal to another.** Shorting the battery terminals together may cause burns or a fire.
  - d. **Under abusive conditions, liquid may be ejected from the battery; avoid contact. If contact accidentally occurs, flush with water. If liquid contacts eyes, additionally seek medical help.** Liquid ejected from the battery may cause irritation or burns.
- 6. **Service**
  - a. **Have your power tool serviced by a qualified repair person using only identical replacement parts.** This will make sure that the safety of the power tool is maintained.

**Additional power tool safety warnings**



**Warning!** Additional safety warnings for compact chainsaws.

The intended use is described in this instruction manual. Do not use the tool for purposes not intended; for example do not use the tool to fell trees. The use of any accessory or attachment or performance of any operation with this tool other than those recommended in this instruction manual may present a risk of personal injury.

- ◆ Wear close fitting and protective clothing including a safety helmet with visor/goggles, ear protectors, non-skid safety footwear, protective bib trousers and strong leather gloves.
- ◆ Always position yourself out of the path of falling branches.
- ◆ The safe distance between a branch to be felled and bystanders, buildings and other objects is at least 2 1/2 times the length of the branch. Any bystander, building or object within this distance is at risk from being struck by the falling branch.
- ◆ Pre-plan a safe exit from falling branches. Ensure the exit route is clear of obstacles that would prevent or hinder movement. Remember wet grass and freshly cut bark is slippery.
- ◆ Ensure someone is nearby (but at a safe distance) in case of an accident.
- ◆ Do not use the tool while standing in a tree, on a ladder or on any other unstable surface.
- ◆ Keep proper footing and balance at all times.
- ◆ Hold the tool firmly with both hands when the motor is running.
- ◆ Do not let the moving chain contact any object at the tip of the guide bar.
- ◆ Start cutting only with the chain moving at full speed.
- ◆ Do not attempt to enter a previous cut. Always make a fresh cut.
- ◆ Watch for shifting branches or other forces that could close a cut and pinch or fall into the chain.
- ◆ Do not attempt to cut a branch when the diameter of the branch exceeds the cutting length of the tool.
- ◆ Always remove the battery from the tool and place the chain cover assembly over the chain when storing or transporting the tool.
- ◆ Keep the saw chain sharp and properly tensioned. Check the tension at regular intervals.
- ◆ Switch the tool off, allow the chain to stop and remove the battery from the tool before carrying out any adjustment, servicing or maintenance.
- ◆ Only use genuine replacement parts and accessories.

### Causes and operator prevention of kickback

Kickback may occur when the nose or tip of the guide bar touches an object, or when the wood closes in and pinches the saw chain in the cut.

Tip contact in some cases may cause a sudden reverse reaction, kicking the guide bar up and back towards the operator.

Pinching the saw chain along the top of the guide bar may push the guide bar rapidly back towards the operator.

Either of these reactions may cause you to lose control of the chainsaw which could result in serious personal injury. Do not rely exclusively upon the safety devices built into your chainsaw. As a chainsaw user, you should take several steps to keep your cutting jobs free from accident or injury.

Kickback is the result of tool misuse and / or incorrect operating procedures or conditions and can be avoided by taking proper precautions as given below:

- ◆ **Maintain a firm grip, with thumbs and fingers encircling the chainsaw handles. With both hands on the chainsaw, position your body and arm to allow you to resist kickback forces.** Kickback forces can be controlled by the operator, if proper precautions are taken. Do not let go of the chainsaw.
- ◆ **Do not overreach and do not cut above shoulder height.** This helps prevent unintended tip contact and enables better control of the chainsaw in unexpected situations.
- ◆ **Only use replacement guide bars and chains specified by the manufacturer.** Incorrect replacement guide bars and chains may cause chain breakage and/or kickback.
- ◆ **Follow the manufacturer's sharpening and maintenance instructions for the saw chain.** Decreasing the depth gauge height can lead to increased kickback.

### Safety recommendations for the chainsaw

- ◆ We strongly recommend that first time users obtain practical instruction in the use of the chainsaw and protective equipment from an experienced user. Initial practice should be completed sawing logs on a saw horse or cradle.
- ◆ We recommend that when carrying the chainsaw that you make sure that the brake is engaged
- ◆ Maintain your chainsaw when not in use. Do not store your chainsaw for any length of time without first removing the saw chain and guide bar which should be kept immersed in oil. Store all parts of your chainsaw in a dry, secure place out of reach of children.
- ◆ We recommend you drain the oil reservoir prior to storage.

- ◆ Be sure of your footing and pre-plan a safe exit from a falling tree or branches.
- ◆ Use wedges to help control felling and prevent binding the guide bar and saw chain in the cut.
- ◆ Saw chain care. Keep the saw chain sharp and snug on the guide bar. Ensure the saw chain and guide bar are clean and well oiled. Keep handles dry, clean and free from oil and grease.

Kickback can be caused by:

- ◆ Striking branches or other objects accidentally with a tip of the saw while the saw chain is moving.
- ◆ Striking metal, cement or any other hard material near the wood, or buried in the wood.
- ◆ A dull or loose chain.
- ◆ Cutting above shoulder height.
- ◆ Lack of attention when holding or guiding the chainsaw while cutting.
- ◆ Over-reaching. Keep proper footing and balance at all times and do not overreach.
- ◆ Do not try to insert into a previous cut. As this could cause kickback. Make a fresh cut every time.
- ◆ We strongly recommend you do not attempt to operate your chainsaw while in a tree, on a ladder or on any other unstable surface. If you decide to do so, be advised that these positions are extremely dangerous.
- ◆ When cutting a branch that is under tension, be alert for spring back so that you will not be struck when the tension is released.

Avoid cutting:

- ◆ Prepared timber.
- ◆ Into the ground.
- ◆ Into wire fences, nails, etc.
- ◆ Into small sized brush and saplings because slender material may catch the saw chain and be whipped towards you, or pull you off balance.
- ◆ Do not use your chainsaw above shoulder height.
- ◆ Ensure someone is nearby (but at a safe distance) in case of an accident.
- ◆ If for any reason you have to touch the saw chain, make sure your chainsaw is disconnected from the mains.
- ◆ The noise from this product can exceed 80 dB(A). We therefore recommend you take appropriate measures for the protection of hearing.

### Safety of others

- ◆ This appliance is not intended for use by persons (including children) with reduced physical, sensory or mental capabilities, or lack of experience and knowledge, unless they have been given supervision or instruction concerning the use of the appliance by a person responsible for their safety.

- ◆ Children should be supervised to ensure that they do not play with the appliance.

## Vibration

The declared vibration emission values stated in the technical data and the declaration of conformity have been measured in accordance with a standard test method provided by EN 60745 and may be used for comparing one tool with another. The declared vibration emission value may also be used in a preliminary assessment of exposure.

**Warning!** The vibration emission value during actual use of the power tool can differ from the declared value depending on the ways in which the tool is used. The vibration level may increase above the level stated.

- ◆ When assessing vibration exposure to determine safety measures required by 2002/44/EC to protect persons regularly using power tools in employment, an estimation of vibration exposure should consider, the actual conditions of use and the way the tool is used, including taking account of all parts of the operating cycle such as the times when the tool is switched off and when it is running idle in addition to the trigger time.

## Warning symbols

The following warning symbols are found on your tool:



**Warning!** To reduce the risk of injury, the user must read the instruction manual.



Do not use your saw in wet conditions or expose it to rain.



Always wear ear protection.



Always wear eye protection.



Always wear non-slip safety footwear.



Beware of falling objects.



Keep bystanders away.



To ensure continued safe operation, check the chain tension as described in this manual after every 10 minutes of use, and adjust back to a clearance of 3 mm as required. Oil the chain after every 10 minutes of use.



Direction of rotation of the chain.



To ensure continued safe operation, the chain and guide bar must only be replaced with original Black & Decker parts. Replacement chain part number A6158 replacement guide bar part number 90517720.

## Additional safety instructions for batteries and chargers

### Batteries

- ◆ Never attempt to open for any reason.
- ◆ Do not expose the battery to water.
- ◆ Do not expose the battery to heat.
- ◆ Do not store in locations where the temperature may exceed 40°C.
- ◆ Charge only at ambient temperatures between 10°C and 40°C.
- ◆ Charge only using the charger provided with the appliance/tool. Using the wrong charger could result in an electric shock or overheating of the battery.
- ◆ When disposing of batteries, follow the instructions given in the section "Protecting the environment".
- ◆ Do not damage/deform the battery pack either by puncture or impact, as this may create a risk of injury and fire.
- ◆ Do not charge damaged batteries.
- ◆ Under extreme conditions, battery leakage may occur. When you notice liquid on the batteries carefully wipe the liquid off using a cloth. Avoid skin contact.
- ◆ In case of skin or eye contact, follow the instructions below.

**Warning!** The battery fluid may cause personal injury or damage to property. In case of skin contact, immediately rinse with water. If redness, pain or irritation occurs seek medical attention. In case of eye contact, rinse immediately with clean water and seek medical attention.

### Chargers

Your charger has been designed for a specific voltage. Always check that the mains voltage corresponds to the voltage on the rating plate.

**Warning!** Never attempt to replace the charger unit with a regular mains plug.

- ◆ Use your Black & Decker charger only to charge the battery in the appliance/tool with which it was supplied. Other batteries could burst, causing personal injury and damage.
- ◆ Never attempt to charge non-rechargeable batteries.
- ◆ If the supply cord is damaged, it must be replaced by the manufacturer or an authorised Black & Decker Service Centre in order to avoid a hazard.
- ◆ Do not expose the charger to water.
- ◆ Do not open the charger.



- ◆ Do not probe the charger.
- ◆ The appliance/tool/battery must be placed in a well ventilated area when charging.

### Labels on the charger

The following symbols are found on your charger:



Read the instruction manual before use.



The charger automatically shuts off if the ambient temperature becomes too high. As a consequence the charger will be inoperable. The charging base must be disconnected from the mains supply and taken to an authorised service centre for repair.



Charge only at ambient temperatures between 10°C and 40°C.



The charger is intended for indoor use only.



Your charger is double insulated; therefore no earth wire is required. Always check that the power supply corresponds to the voltage on the rating plate.

### Electrical safety



Your charger is double insulated; therefore no earth wire is required. Always check that the power supply corresponds to the voltage on the rating plate.

If the supply cord is damaged, it must be replaced by the manufacturer or an authorised Black & Decker Service Centre in order to avoid a hazard.

**Warning!** Never attempt to replace the charger unit with a regular mains plug.

### Features

1. On/off switch
2. Lock-off button
3. Oil cap
4. Oil reservoir
5. Front guard assembly
6. Chain cover assembly
7. Chain tension adjustment screw
8. Chain
9. Guide bar
10. Battery
11. Chain sheath
12. Charger receptacle
13. Charger

### Assembly

**Warning!** Before assembly, remove the battery (10) from the tool.

#### Fitting and removing the battery (fig. A)

- ◆ To fit the battery (10), line it up with the receptacle on the tool. Slide the battery (10) into the receptacle and push until the battery (10) snaps into place.
- ◆ To remove the battery (10), push the release button (24) while at the same time pulling the battery (10) out of the receptacle.

**Warning!** To prevent accidental operation, make sure that the battery is removed and that the chain sheath (11) is in place on the saw chain (8) before performing the following operations. Failure to do this could result in serious personal injury.

#### Charging the battery (fig. B and C)

The battery (10) needs to be charged before first use and whenever it fails to produce sufficient power on jobs that were easily done before. When charging the battery (10) for the first time, or after prolonged storage, it will only accept an 80% charge.

After several charge and discharge cycles, the battery (10) will attain full capacity. The battery (10) may become warm while charging; this is normal and does not indicate a problem.

**Warning!** Do not charge the battery at ambient temperatures below 10°C or above 40°C. Recommended charging temperature: approx. 24°C.

#### 8 hour charger (fig. B)

- ◆ To charge the battery (10), remove it from the tool and slide the charger receptacle (12) onto the battery (10).
- ◆ Plug in the charger (13).

The battery (10) will be fully charged in approximately 8 hours. It can be removed at any time or left in the connected charger indefinitely.

## 1 hour charger (fig. C)

- ◆ To charge the battery (10), remove it from the tool and insert it into the charger (23). The battery (10) will only fit into the charger (23) in one way. Do not force. Be sure that the battery (10) is fully seated in the charger (23).
- ◆ Plug in the charger (23).
- ◆ Check that the red charging indicator comes on. If the green 'end of charge' indicator comes on then the battery is too hot and cannot be charged. If this happens, remove the battery (10) from the charger (23), let the battery cool down for approximately 1 hour and re-insert it.

After approximately 1 hour of charging, the red charging indicator will go off and the green 'end of charge' indicator will come on. The battery is now fully charged.

- ◆ Remove the battery (10) from the charger (23).

## Installing and removing the saw chain (fig. D - F & H)



Always wear protective gloves when installing or removing the saw chain (8). The saw chain is sharp and can cut you when it is not running.

- ◆ Place the tool on a firm and stable surface.
- ◆ Loosen the 2 Allen screws (14) using the Allen key (21) provided. Remove the Allen screws (14).
- ◆ Remove the chain cover assembly (6).
- ◆ Turn the chain tension adjustment screw (7) counter clockwise to allow the guide bar (9) to recede and to reduce the tension on the saw chain (8).
- ◆ Remove the old saw chain (8) from the sprocket (15) and the guide bar (9).
- ◆ Place the new saw chain (8) in the groove of the guide bar (9) and around the sprocket (15). Make sure that the teeth are facing the correct direction by matching the arrow on the saw chain (8) with the arrow on the chain cover assembly (6).
- ◆ Make sure that the slot (17) in the guide bar (9) is over the location pins (18) and that the hole (20) below the slot is located over the adjustment pin (19).
- ◆ Fit the chain cover assembly (6) and the 2 Allen screws (14).
- ◆ Tighten the Allen screws (14) using the Allen key (21) provided.
- ◆ Adjust the chain tension as described below.

## Checking and adjusting the chain tension (fig. D and G)

- ◆ Check the saw chain tension. The tension is correct when the saw chain (8) snaps back after being pulled away 3 mm from the guide bar (9) with light force from the middle finger and thumb. There should be no 'sag' between the guide bar (9) and the saw chain (8) on the underside.

To adjust the tension:

- ◆ Loosen the 2 Allen screws (14).
- ◆ Turn the chain tension adjustment screw (7) clockwise.

**Warning!** Do not over-tension the chain as this will lead to excessive wear and will reduce the life of the bar and chain.

- ◆ Once the chain tension is correct, tighten the 2 Allen screws (14).

**Warning!** When the saw chain is new, check the tension frequently during the first two hours of use as a new saw chain stretches slightly.

## Filling the oil reservoir (fig. H)

- ◆ Remove the oil cap (3) and fill the reservoir (4) with the recommended chain oil. You can see the oil level in the oil reservoir (4). Refit the oil cap (3).
- ◆ Periodically switch off and check the oil level; if it is less than a quarter full, remove the battery (10) from the tool and refill the reservoir (4) with the correct oil.

## Oiling the chain (fig. H)

The saw chain (8) must be oiled before each use and after cleaning using only the correct grade of oil (cat. no. A6027).

- ◆ Lubricate the saw chain (8) by pressing the bulb on the oil cap (3) twice before making each cut, holding the bulb down for 3-4 seconds.

## Residual risks

Additional residual risks may arise when using the tool which may not be included in the enclosed safety warnings. These risks can arise from misuse, prolonged use etc.

Even with the application of the relevant safety regulations and the implementation of safety devices, certain residual risks cannot be avoided. These include:

- ◆ Injuries caused by touching any rotating/moving parts.
- ◆ Injuries caused when changing any parts, blades or accessories.
- ◆ Injuries caused by prolonged use of a tool. When using any tool for prolonged periods make sure you take regular breaks.
- ◆ Impairment of hearing.
- ◆ Health hazards caused by breathing dust developed when using your tool (example:- working with wood, especially oak, beech and MDF).

## Use

### Switching on and off (fig. H)

For your safety, this tool is equipped with a double switching system. This system prevents starting the tool inadvertently.

#### Switching on

- ◆ Press the lock-off button (2) and at the same time squeeze the on/off switch (1).
- ◆ Release the lock-off button (2).

#### Switching off

- ◆ Release the on/off switch (1).

**Warning!** Never attempt to lock a switch in the on position.

### Pruning trees (fig. I)

Make sure that there are no local by-laws or regulations that would prohibit or control the pruning of the tree limbs.

Pruning should only be undertaken by experienced users there is an increased risk of the saw chain (8) pinching and kickback.

Before pruning consideration should be given to conditions affecting the direction of fall including:

- ◆ The length and weight of the branch to be cut.
- ◆ Any unusual heavy limb structure or decay.
- ◆ Surrounding trees and obstacles including overhead.
- ◆ The wind speed and direction.
- ◆ The branch being intertwined with other branches.

The operator should consider access to the tree limb and the direction of fall. The tree branch is liable to swing towards the tree trunk. In addition to the user bystanders, objects and property below the branch will be at risk.

To avoid splintering, the first cut is made in an upward direction to a maximum depth of one third the diameter of the branch. The second cut is made downwards to meet the first.

### Light duty cutting (fig. J)

How you should cut depends on how the log is supported. Use a saw horse whenever possible. Always start a cut with the saw chain (8) running and the spiked bumper in contact with the wood. To complete the cut, use a pivoting action of the spiked bumper against the wood.

When supported along its whole length:

- ◆ Make a downward cut, but avoid cutting the earth as this will blunt your saw chain quickly.

When supported at both ends:

- ◆ First, cut one third down to avoid splintering and second, cut again to meet the first cut,

When supported at one end:

- ◆ First cut one third up to avoid splintering and second, cut down to prevent splintering.

When on a slope:

- ◆ Always stand on the uphill side.

When using a saw horse (fig. J):

This is strongly recommended whenever possible.

- ◆ Position the log in a stable position. Always cut on the outside of the saw horse arms. Use clamps or straps to secure the workpiece.

## Cleaning, maintenance and storage

Your Black & Decker tool has been designed to operate over a long period of time with a minimum of maintenance.

Continuous satisfactory operation depends upon proper tool care and regular cleaning.

Your charger does not require any maintenance apart from regular cleaning.

**Warning!** Before performing any maintenance on the tool, remove the battery from the tool. Unplug the charger before cleaning it.

### Fitting the battery cap (fig. K)

**Warning!** Fit the cap (22) to the battery (10) for transportation and storage.

### After use and before storage

Regularly clean the ventilation slots with a clean, dry paint brush.

To clean the tool, use only mild soap and a damp cloth.

Never let any liquid get inside the tool and never immerse any part of the tool into liquid.

- ◆ Remove debris using a hard brush.
- ◆ Lubricate the chain (8) with oil.

### Saw chain sharpening

If you are to get the best possible performance from the tool it is important to keep the teeth of the saw chain sharp. Guidance for this procedure is found on the sharpener package. For this purpose we recommend the purchase of the Black & Decker saw chain sharpening kit, available from your Black & Decker service agents (cat. no. A6039).

### Replacing worn out or damaged saw chains and guide bars

Replacement saw chains are available through retailers and Black & Decker service agents (pt no A6158), replacement guide bars are only available through Black & Decker service agents (pt no 90517720). To avoid the risk of injury, use only original Black & Decker chains and guide bars. Always use genuine spare parts.

## Saw chain sharpness

The saw chain cutters will blunt immediately if they touch the ground or a nail whilst cutting.

## Saw chain tension

Regularly check the saw chain tension.

## What to do if your chainsaw needs repair.

Your tool is in accordance with the relevant safety requirements. Repairs should only be carried out by a qualified person using original spare parts otherwise this may result in considerable danger to the user. We recommend you keep this user manual in a safe place.

## Storage

When the tool will not be used for several months, ideally leave the battery (10) connected to the charger.

Otherwise proceed as follows:

- ◆ Remove the battery (10) from the tool.
- ◆ Fully charge the battery (10).
- ◆ Store the tool and battery (10) in a secure and dry location. The storage temperature must always remain in the range of +5 °C to +40 °C. Place the battery (10) on a level surface.
- ◆ Before using the tool after prolonged storage, fully charge the battery (10) again.

## Protecting the environment



Separate collection. This product must not be disposed of with normal household waste.

Should you find one day that your Black & Decker product needs replacement, or if it is of no further use to you, do not dispose of it with household waste. Make this product available for separate collection.



Separate collection of used products and packaging allows materials to be recycled and used again.

Re-use of recycled materials helps prevent environmental pollution and reduces the demand for raw materials.

Local regulations may provide for separate collection of electrical products from the household, at municipal waste sites or by the retailer when you purchase a new product.

Black & Decker provides a facility for the collection and recycling of Black & Decker products once they have reached the end of their working life. To take advantage of this service please return your product to any authorised repair agent who will collect them on our behalf.

You can check the location of your nearest authorised repair agent by contacting your local Black & Decker office at the address indicated in this manual. Alternatively, a list of authorised Black & Decker repair agents and full details of our after-sales service and contacts are available on the Internet at: [www.2helpU.com](http://www.2helpU.com).

## Batteries



Black & Decker batteries can be recharged many times. At the end of their useful life, discard batteries with due care for our environment.:

- ◆ Run the battery down completely, then remove it from the tool.
- ◆ NiCd and NiMH batteries are recyclable. Take them to any authorised repair agent or a local recycling station.

## Technical data

	<b>GKC1817 H1</b>	<b>GKC1817P H1</b>	<b>GKC1817NM H1</b>
Input voltage	Vdc 18	18	18
No load chain speed	min <sup>-1</sup> 190	190	190
Weight	kg 2	2	2

<b>Battery Model</b>	<b>A18 GKC1817</b>	<b>A1718 GKC1817P</b>	<b>A18NH GKC1817NM</b>
Voltage	Vdc 18	18	18
Capacity	Ah 1.5	1.7	1.5
Weight	kg 0.8	0.8	0.8

<b>Charger Model</b>	<b>TPCA-240080*1 GKC1817, GKC1817P</b>	<b>TPCA-240080*2 GKC1817NM</b>	<b>31190*-** GKC1817, GKC1817P</b>	<b>TPCA-180021*1 GKC1817NM</b>
Input voltage	Vac 200-240	200-240	230-240	230-240
Output voltage	Vac 18	18	21.75	21.75
Output current	mA 800	800	210 / 230	200-240
Approx. charging time	h 1	1	8	8
Weight	kg 0.399	0.4	0.365	0.556

Guaranteed sound pressure level measured according to 2000/14/EC:

$L_{pA}$  (sound pressure) 78,6 dB(A), uncertainty (K) 3 dB(A)

$L_{WA}$  (sound power) 89,6 dB(A), uncertainty (K) 3 dB(A)

$L_{WA}$  (guaranteed) 90 dB(A)

Always wear ear protection if the sound pressure exceeds 80 dB (A).

Hand/arm weighted vibration value according to EN 60745: 4 m/sec<sup>2</sup>

**EC declaration of conformity**  
MACHINERY DIRECTIVE



**GKC1817, GKC1817P, GKC1817NM**

Black & Decker declares that these products described under "technical data" are in compliance with: 2006/42/EC, EN60745-1, EN60745-2-13

For more information, please contact Black & Decker at the following address or refer to the back of the manual.

The undersigned is responsible for compilation of the technical file and makes this declaration on behalf of Black & Decker.

Kevin Hewitt

Vice-President Global Engineering  
Black & Decker Europe, 210 Bath Road, Slough,  
Berkshire, SL1 3YD  
United Kingdom  
12-04-2010

## Guarantee

Black & Decker is confident of the quality of its products and offers an outstanding guarantee. This guarantee statement is in addition to and in no way prejudices your statutory rights. The guarantee is valid within the territories of the Member States of the European Union and the European Free Trade Area.

If a Black & Decker product becomes defective due to faulty materials, workmanship or lack of conformity, within 24 months from the date of purchase, Black & Decker guarantees to replace defective parts, repair products subjected to fair wear and tear or replace such products to ensure minimum inconvenience to the customer unless:

- ◆ The product has been used for trade, professional or hire purposes.
- ◆ The product has been subjected to misuse or neglect.
- ◆ The product has sustained damage through foreign objects, substances or accidents.
- ◆ Repairs have been attempted by persons other than authorised repair agents or Black & Decker service staff.

To claim on the guarantee, you will need to submit proof of purchase to the seller or an authorised repair agent. You can check the location of your nearest authorised repair agent by contacting your local Black & Decker office at the address indicated in this manual. Alternatively, a list of authorised Black & Decker repair agents and full details of our after-sales service and contacts are available on the Internet at: [www.2helpU.com](http://www.2helpU.com)

Please visit our website [www.blackanddecker.co.uk](http://www.blackanddecker.co.uk) to register your new Black & Decker product and to be kept up to date on new products and special offers. Further information on the Black & Decker brand and our range of products is available at [www.blackanddecker.co.uk](http://www.blackanddecker.co.uk).

## Bestimmungsgemäße Verwendung

Ihre Black & Decker Compact Kettensäge wurde für leichte Schneide- und Sägearbeiten konstruiert. Dieses Gerät ist nicht für den gewerblichen Einsatz vorgesehen.

## Sicherheitshinweise

### Allgemeine Sicherheitswarnungen für das Gerät



**Achtung! Lesen Sie sämtliche Sicherheitswarnungen und Anweisungen.**

Die Nichteinhaltung der aufgeführten Anweisungen kann einen elektrischen Schlag, Brand und/oder schwere Verletzungen verursachen.

### Bewahren Sie alle Warnungen und Anweisungen gut auf.

Der nachfolgend verwendete Begriff „Gerät“ bezieht sich auf netzbetriebene Geräte (mit Netzkabel) und auf akkubetriebene Geräte (ohne Netzkabel).

1. **Sicherheit im Arbeitsbereich**
  - a. **Halten Sie Ihren Arbeitsbereich sauber und gut ausgeleuchtet.** Unordnung und dunkle Arbeitsbereiche können zu Unfällen führen.
  - b. **Arbeiten Sie mit Geräten nicht in explosionsgefährdeter Umgebung, in der sich brennbare Flüssigkeiten, Gase oder Stäube befinden.** Geräte erzeugen Funken, die den Staub oder die Dämpfe entzünden können.
  - c. **Halten Sie Kinder und andere Personen während der Benutzung eines Geräts fern.** Bei Ablenkung können Sie die Kontrolle verlieren.
2. **Elektrische Sicherheit**
  - a. **Der Netzstecker des Geräts muss in die Steckdose passen. Der Stecker darf in keiner Weise verändert werden. Verwenden Sie für geschützte Geräte keine Adapterstecker.** Unveränderte Stecker und passende Steckdosen verringern das Risiko eines elektrischen Schlags.
  - b. **Vermeiden Sie Körperkontakt mit geerdeten Oberflächen von Rohren, Heizungen, Herden und Kühlschränken.** Es besteht ein erhöhtes Risiko eines elektrischen Schlags, wenn Ihr Körper geerdet ist.
  - c. **Halten Sie Geräte von Regen und Feuchtigkeit fern.** Das Eindringen von Wasser in ein Gerät erhöht das Risiko eines elektrischen Schlags.
- d. **Verwenden Sie das Kabel ordnungsgemäß. Verwenden Sie es niemals zum Tragen. Trennen Sie das Gerät nicht durch Ziehen am Kabel vom Netz. Halten Sie das Kabel fern von Hitze, Öl, scharfen Kanten oder sich bewegenden Teilen.** Beschädigte oder verwickelte Kabel erhöhen das Risiko eines elektrischen Schlags.
- e. **Wenn Sie mit einem Gerät im Freien arbeiten, verwenden Sie nur Verlängerungskabel, die auch für den Außenbereich zugelassen sind.** Die Verwendung eines für den Außenbereich geeigneten Verlängerungskabels verringert das Risiko eines elektrischen Schlags.
- f. **Wenn ein Elektrowerkzeug in einer feuchten Umgebung verwendet werden muss, schließen Sie es unbedingt an eine Steckdose mit Fehlerstromschutzschalter (RCD) an.** Ein Fehlerstromschutzschalter verringert das Risiko eines elektrischen Schlags.
3. **Sicherheit von Personen**
  - a. **Seien Sie aufmerksam, achten Sie darauf, was Sie tun, und gehen Sie vernünftig mit dem Gerät um. Benutzen Sie das Gerät nicht, wenn Sie müde sind oder unter dem Einfluss von Drogen, Alkohol oder Medikamenten stehen.** Ein Moment der Unachtsamkeit beim Gebrauch von Geräten kann zu ernsthaften Verletzungen führen.
  - b. **Verwenden Sie eine geeignete Schutzausrüstung. Tragen Sie stets eine Schutzbrille.** Schutzausrüstung wie Staubmaske, rutschfeste Sicherheitsschuhe, Schutzhelm oder Gehörschutz, je nach Art und Einsatz des Geräts, verringert das Risiko von Verletzungen.
  - c. **Vermeiden Sie eine unbeabsichtigte Inbetriebnahme. Vergewissern Sie sich, dass das Gerät ausgeschaltet ist, bevor Sie es an eine Steckdose oder einen Akku anschließen, es hochheben oder tragen.** Durch das Tragen des Geräts mit dem Finger am Schalter oder durch das Anschließen eingeschalteter Geräte werden Unfälle provoziert.
  - d. **Entfernen Sie Einstell- oder Schraubenschlüssel, bevor Sie das Gerät einschalten.** Ein Schlüssel in einem sich drehenden Teil kann zu Verletzungen führen.
  - e. **Beugen Sie sich nicht zu weit nach vorn über. Achten Sie auf einen sicheren Stand, um in jeder Arbeitsposition das Gleichgewicht zu halten.** Dadurch können Sie das Gerät in unerwarteten Situationen besser unter Kontrolle halten.

- f. **Tragen Sie geeignete Kleidung. Tragen Sie keine weite Kleidung oder Schmuck. Halten Sie Haare, Kleidung und Handschuhe von sich bewegenden Teilen fern.** Lockere Kleidung, Schmuck oder lange Haare können von sich bewegenden Teilen erfasst werden.
- g. **Falls Staubabsaug- und -fangvorrichtungen vorhanden sind, vergewissern Sie sich, dass diese angeschlossen sind und richtig verwendet werden.** Diese Vorrichtungen verringern Gefährdungen durch Staub.
4. **Gebrauch und Pflege von Geräten**
- a. **Überlasten Sie das Gerät nicht. Verwenden Sie das für Ihre Arbeit passende Gerät.** Durch das Arbeiten in dem für das Gerät angegebenen Leistungsbereich erzielen Sie nicht nur optimale Ergebnisse, Sie erhöhen auch die Sicherheit.
- b. **Verwenden Sie das Gerät nicht, wenn der Ein-/Ausschalter nicht funktioniert.** Ein Gerät, das sich nicht mehr ein- oder ausschalten lässt, ist gefährlich und muss repariert werden.
- c. **Ziehen Sie den Stecker aus der Steckdose oder trennen Sie das Gerät vom Akku, bevor Sie Einstellungen vornehmen, Zubehörteile wechseln oder das Gerät weglegen.** Diese Vorsichtsmaßnahme verhindert den unbeabsichtigten Start des Geräts.
- d. **Bewahren Sie unbenutzte Geräte außerhalb der Reichweite von Kindern auf. Lassen Sie Geräte nicht von Personen benutzen, die damit nicht vertraut sind oder diese Anweisungen nicht gelesen haben.** Geräte sind gefährlich, wenn sie von unerfahrenen Personen benutzt werden.
- e. **Halten Sie Geräte in einem einwandfreien Zustand. Kontrollieren Sie, ob bewegliche Teile falsch ausgerichtet sind oder klemmen und ob Teile gebrochen oder so beschädigt sind, dass die Funktion des Geräts beeinträchtigt ist. Lassen Sie beschädigte Geräte vor dem Gebrauch reparieren.** Durch schlecht gewartete Geräte werden zahlreiche Unfälle verursacht.
- f. **Halten Sie Schneidwerkzeuge scharf und sauber.** Sorgfältig gepflegte Schneidwerkzeuge mit scharfen Schneidkanten verklemmen sich weniger und sind leichter zu führen.
- g. **Verwenden Sie Gerät, Zubehör, Einsätze usw. entsprechend diesen Anweisungen, und berücksichtigen Sie dabei die Arbeitsbedingungen und die auszuführende Arbeit.** Der Gebrauch von Geräten für andere als die vorgesehenen Anwendungen kann zu gefährlichen Situationen führen.
5. **Gebrauch und Pflege von batteriebetriebenen Geräten**
- a. **Laden Sie den Akku nur mit dem vom Hersteller vorgesehenen Ladegerät auf.** Die Verwendung von Ladegeräten, die für eine andere Art von Akku bestimmt sind, kann dazu führen, dass sich der Akku beim Laden entzündet.
- b. **Verwenden Sie nur die für das jeweilige Gerät vorgesehenen Akkus.** Die Verwendung anderer Akkus kann zu Verletzungen oder Bränden führen.
- c. **Bewahren Sie den Akku bei Nichtbenutzung nicht in der Nähe metallischer Objekte wie Büroklammern, Münzen, Schlüssel, Nägel oder Schrauben auf, da diese eine Verbindung zwischen beiden Polen des Akkus herstellen können.** Durch den dadurch entstehenden Kurzschluss kann der Akku in Brand geraten.
- d. **Durch unsachgemäßen Gebrauch können Flüssigkeiten aus dem Akku austreten. Berühren Sie diese nicht! Sollten Sie dennoch unbeabsichtigt mit diesen in Berührung kommen, waschen Sie die betroffenen Stellen sofort mit reichlich Wasser ab. Suchen Sie sofort einen Arzt auf, wenn die Flüssigkeit in Kontakt mit Ihren Augen gekommen ist.** Flüssigkeiten aus Akkus können Hautreizungen oder Verbrennungen hervorrufen.
6. **Service**
- a. **Lassen Sie das Gerät nur von qualifiziertem Fachpersonal und nur mit Originalersatzteilen reparieren.** Die Sicherheit des Geräts bleibt so erhalten.

## Zusätzliche Sicherheitswarnungen für das Gerät



**Achtung!** Zusätzliche Sicherheitswarnungen für Kompakt-Kettensägen.

Der vorgesehene Verwendungszweck ist in dieser Anleitung beschrieben. Verwenden Sie das Gerät nicht zweckentfremdet, z. B. zum Fällen von Bäumen. Bei Verwendung von Zubehör oder Anbauteilen, die nicht in dieser Anleitung empfohlen sind, sowie bei der Bedienung des Geräts in Abweichung von den in dieser Anleitung beschriebenen Verfahren besteht Verletzungsgefahr.

- ◆ Tragen Sie eng anliegende Schutzkleidung, inklusive eines Schutzhelms mit Schirm/Schutzbrille, Gehörschutz, rutschfestes, sicheres Schuhwerk, Schutzlatzhosen und feste Lederhandschuhe.
- ◆ Stellen Sie sich immer so auf, dass Sie nicht von herabfallenden Ästen getroffen werden können.



- ◆ Der Sicherheitsabstand zwischen dem zu schneidenden Ast und Zuschauern, Gebäuden und anderen Gegenständen beträgt mindestens das 2,5-fache der Astlänge. Für Gegenstände, Gebäude und Zuschauer innerhalb dieses Abstandsbereichs besteht die Gefahr, von dem herabfallenden Ast getroffen zu werden.
- ◆ Planen Sie einen sicheren Fluchtweg vor fallenden Ästen. Achten Sie darauf, dass der Fluchtweg frei von Hindernissen ist, die Ihre Bewegungsfreiheit stören könnten. Berücksichtigen Sie, dass feuchtes Gras und frisch geschnittene Baumrinde rutschig sind.
- ◆ Stellen Sie sicher, dass sich für den Fall eines Unfalls jemand in der Nähe befindet (jedoch in ausreichendem Sicherheitsabstand).
- ◆ Verwenden Sie die Säge nicht, wenn Sie sich in einem Baum, auf einer Leiter oder auf einer anderen instabilen Fläche befinden
- ◆ Achten Sie jederzeit auf einen sicheren Stand, und halten Sie jederzeit das Gleichgewicht.
- ◆ Halten Sie das Gerät fest mit beiden Händen, während der Motor läuft.
- ◆ Bei laufender Kette darf die Spitze des Führungsschwerts nicht mit einem Gegenstand in Kontakt kommen.
- ◆ Zu Beginn des Schnitts muss die Kette immer mit voller Geschwindigkeit laufen.
- ◆ Versuchen Sie nicht, die Säge in einen vorhandenen Schnittspalt einzuführen. Führen Sie stets einen neuen Schnitt durch.
- ◆ Achten Sie auf die Bewegung des geschnittenen Asts und auf andere Kräfte, die dazu führen könnten, dass sich der Schnittspalt schließt und die Kette einklemmt oder dass Holz in die laufende Kette fällt.
- ◆ Versuchen Sie nicht, einen Ast zu schneiden, dessen Durchmesser die Schnittlänge der Kettensäge überschreitet.
- ◆ Entfernen Sie immer den Akku vom Gerät, und bringen Sie die Kettenabdeckung an, wenn das Gerät aufbewahrt oder transportiert werden soll.
- ◆ Halten Sie die Kette scharf und richtig gespannt. Überprüfen Sie die Spannung regelmäßig.
- ◆ Schalten Sie das Gerät vor Anpassungen oder Wartungsarbeiten aus, warten Sie, bis die Kette zum Stillstand gekommen ist, und entfernen Sie den Akku.
- ◆ Verwenden Sie nur Originalersatzteile und Zubehör.

### Ursachen für Rückschlag und Gegenmaßnahmen seitens des Bedieners

Rückschlag kann auftreten, wenn die Spitze des Führungsschwerts einen Gegenstand berührt, oder wenn Holz einknickt und die Kette im Schneidspalt einklemmt.

Kontakt an der Spitze kann in einigen Fällen eine blitzschnelle Rückschlagwirkung erzeugen, die die Führungsschiene nach oben und zurück in Richtung Bediener schnellen lässt.

Wenn die Kette an der Oberseite des Führungsschwerts eingeklemmt wird, kann dies das Schwert schnell nach hinten in Richtung Bediener drücken.

Diese Reaktionen können zum Verlust der Kontrolle über die Kettensäge und damit zu schweren Verletzungen führen.

Verlassen Sie sich nicht nur auf die Sicherheitsvorrichtungen der Kettensäge. Als Bediener einer Kettensäge müssen Sie verschiedene Vorkehrungen treffen, um Sägearbeiten ohne Unfälle und Verletzungen durchführen zu können.

Ein Rückschlag ist das Resultat eines Missbrauchs und/oder einer falschen Bedienung der Kettensäge oder falscher Arbeitsbedingungen. Er kann durch die entsprechenden unten angegebenen Vorsichtsmaßnahmen vermieden werden.

- ◆ **Halten Sie die Säge mit den Daumen auf einer Seite und den Fingern auf der anderen Seite an den Griffen fest. Durch einen festen Griff mit beiden Händen, einen ausgestreckten linken Arm und einen stabilen Stand lässt sich das Zurückschlagen vermeiden.** Die Rückschlagkräfte können vom Bediener mittels entsprechender Vorsichtsmaßnahmen unter Kontrolle gehalten werden. Lassen Sie die Kettensäge nicht los.
- ◆ **Strecken Sie sich nicht zu weit nach vorne, und schneiden Sie nicht oberhalb der Schulterhöhe.** Dadurch vermeiden Sie einen versehentlichen Kontakt der Spitze, und die Kettensäge lässt sich in unerwarteten Situationen besser unter Kontrolle halten.
- ◆ **Als Ersatzteile dürfen nur die vom Hersteller bezeichneter Führungsschwert und Ketten verwendet werden.** Bei Verwendung falscher Ersatzteile besteht die Gefahr eines Kettenrisses und/oder erhöhte Rückschlaggefahr.
- ◆ **Das Schärfen der Sägekette und sämtliche Wartungsarbeiten müssen gemäß den Anweisungen des Herstellers erfolgen.** Das Kürzen der Tiefenbegrenzer an der Kette kann zu einer erhöhten Rückschlaggefahr führen.

## Empfehlungen für einen sicheren Umgang mit der Kettensäge

- ◆ Anfänger sollten sich unbedingt von einem erfahrenen Benutzer die sachgemäße Verwendung der Kettensäge und der Schutzausrüstung demonstrieren lassen. Es empfiehlt sich, zunächst das Sägen von Stückholz auf einem Sägebock zu üben.
- ◆ Beim Tragen der Kettensäge sollte die Kettenbremse im Eingriff sein.
- ◆ Halten Sie die Kettensäge auch bei Nichtgebrauch in einem einwandfreien Betriebszustand. Nehmen Sie vor einer längeren Lagerung der Kettensäge die Kette und das Führungsschwert ab. Diese Teile sollten in Öl getaucht werden. Bewahren Sie sämtliche Teile der Kettensäge an einem trockenen, sicheren Ort außerhalb der Reichweite von Kindern auf.
- ◆ Der Ölbehälter sollte vor einer längeren Lagerung geleert werden.
- ◆ Achten Sie auf einen sicheren Stand, und planen Sie einen sicheren Fluchtweg vor einem fallenden Baum oder vor fallenden Ästen.
- ◆ Verwenden Sie beim Fällen eines Baums Keile, um die Fallrichtung zu beeinflussen und um zu verhindern, dass sich Kette und Führungsschwert im Schneidspalt verklemmen.
- ◆ Pflegen Sie die Sägekette. Halten Sie die Kette scharf und richtig gespannt. Stellen Sie sicher, dass Kette und Führungsschwert sauber und ausreichend geölt sind. Halten Sie die Griffe trocken, sauber und öl- und fettfrei.

Ein Rückschlag kann verursacht werden durch:

- ◆ Versehentliches Berühren von Ästen oder anderen Gegenständen mit der Sägespitze, während sich die Kette bewegt.
- ◆ Berühren von Metall, Mauerwerk oder anderen harten Gegenständen in der Nähe oder innerhalb des Holzes.
- ◆ Eine stumpfe oder lockere Kette.
- ◆ Schnitte oberhalb der Schulterhöhe.
- ◆ Nachlässiges Halten oder Führen der Kettensäge während des Schneidens.
- ◆ Überstrecken. Achten Sie jederzeit auf einen sicheren Stand und eine sichere Balance, und überstrecken Sie sich nicht.
- ◆ Führen Sie die Säge nicht in einen vorhandenen Schneidspalt ein, da hierdurch ein Rückschlag verursacht werden kann. Führen Sie stets einen neuen Schnitt durch.
- ◆ Es wird dringend davon abgeraten, die Kettensäge in einem Baum, auf einer Leiter oder auf einer anderen instabilen Fläche zu betreiben. Wenn Sie sich dennoch hierzu entschließen, sollten Sie sich der erhöhten Unfall- und Verletzungsgefahr bewusst sein.

- ◆ Achten Sie beim Durchtrennen eines Astes unter Spannung darauf, dass Sie nicht von zurückschnellendem Holz getroffen werden.

Folgendes ist zu beachten:

- ◆ Sägen Sie kein vorbehandeltes Holz.
- ◆ Berühren Sie mit laufender Kette nicht den Boden.
- ◆ Schneiden Sie nicht in Drahtzäune, Nägel usw.
- ◆ Schneiden Sie möglichst keine Büsche oder Jungbäume. Es besteht die Gefahr, dass sich das nachgiebige Material in der Kette verfängt, in Ihre Richtung gedrückt wird und Sie aus dem Gleichgewicht bringt.
- ◆ Verwenden Sie die Kettensäge nicht oberhalb der Schulterhöhe.
- ◆ Stellen Sie sicher, dass sich für den Fall eines Unfalls jemand in der Nähe befindet (jedoch in ausreichendem Sicherheitsabstand).
- ◆ Falls Sie die Kette aus irgendeinem Grund berühren müssen, vergewissern Sie sich, dass die Kettensäge vom Netz getrennt ist.
- ◆ Der Schallpegel dieses Geräts kann 80 dB(A) überschreiten. Das Tragen eines Gehörschutzes wird daher empfohlen.

## Sicherheit anderer Personen

- ◆ Dieses Gerät darf nicht von Personen (einschließlich Kindern) mit eingeschränkten körperlichen, sensorischen oder geistigen Fähigkeiten sowie mangelnder Erfahrung und Wissen in Bezug auf dessen Gebrauch bedient werden, es sei denn, sie werden bei der Verwendung des Geräts von einer für die Sicherheit verantwortlichen Person beaufsichtigt oder angeleitet.
- ◆ Kinder müssen beaufsichtigt werden, um sicherzustellen, dass sie nicht mit dem Gerät spielen.

## Vibration

Die in den Abschnitten „Technische Daten“ und „EU-Konformitätserklärung“ angegebenen Werte für die Vibrationsemission wurden mit einer Standard-Prüfmethode nach EN 60745 ermittelt und können zum Vergleich verschiedener Geräte herangezogen werden. Außerdem kann mit Hilfe dieser Werte die Belastung bei Verwendung des Geräts schon im Voraus eingeschätzt werden.

**Achtung!** Die bei Verwendung des Geräts auftretende Vibrationsemission hängt von der Art des Gerätegebrauchs ab und kann dementsprechend vom angegebenen Wert abweichen. Gegebenenfalls kann die Vibration über dem angegebenen Wert liegen.

- ◆ Mit Hilfe der ermittelten Werte der Vibrationsbelastung durch Elektrogeräte lassen sich Sicherheitsmaßnahmen festlegen, die gemäß 2002/44/EG zum Schutz von Personen bestimmt sind, die diese Geräte regelmäßig bei der Arbeit verwenden. Bei der Einschätzung der Vibrationsbelastung sollten die Gebrauchsumstände und die Art der Verwendung des Geräts sowie alle Schritte des Arbeitszyklus berücksichtigt werden, wozu Ruhe-, Leerlauf- und Startzeiten gehören.

### Warnsymbole

Am Gerät sind die folgenden Warnsymbole angebracht:



**Achtung!** Lesen Sie vor Gebrauch die Anleitung durch. Andernfalls besteht Verletzungsgefahr.



Verwenden Sie die Säge nicht in nasser Umgebung, und schützen Sie sie vor Regen.



Tragen Sie stets einen Gehörschutz.



Tragen Sie stets einen Augenschutz.



Tragen Sie stets rutschfestes, sicheres Schuhwerk.



Achten Sie auf herabfallende Gegenstände.



Halten Sie Zuschauer aus dem Gefahrenbereich fern.



Um ein kontinuierlich sicheres Arbeiten zu gewährleisten, kontrollieren Sie die Kettenspannung wie in diesem Handbuch beschrieben nach jeweils 10 Minuten Betrieb der Kettensäge. Stellen Sie die Kettenspannschraube ggf. wieder auf die vorgeschriebenen 3 mm Spiel ein. Ölen Sie die Kette nach jeweils 10 Minuten Betrieb.



Drehrichtung der Kette.



Um ein kontinuierlich sicheres Arbeiten zu gewährleisten, dürfen Kette und Führungsschwert ausschließlich durch Originalersatzteile von Black & Decker ersetzt werden. Teilenummer der Ersatzkette: A6158, Teilenummer des Ersatzführungsschwerts: 90517720.

### Zusätzliche Sicherheitshinweise für Akku und Ladegeräte

#### Akkus

- ◆ Auf keinen Fall öffnen.
- ◆ Achten Sie darauf, dass der Akku nicht mit Wasser in Berührung kommt.
- ◆ Setzen Sie den Akku keinen hohen Temperaturen aus.
- ◆ Nicht bei Temperaturen über 40°C lagern.
- ◆ Laden Sie den Akku ausschließlich bei Umgebungstemperaturen zwischen 10°C und 40°C.
- ◆ Verwenden Sie ausschließlich das mit dem Gerät gelieferte Ladegerät. Das Verwenden des falschen Ladegeräts kann zu einem Stromschlag oder dem Überhitzen des Akkus führen.
- ◆ Bei der Entsorgung von Akkus oder Batterien die Hinweise im Abschnitt „Umweltschutz“ beachten.
- ◆ Der Akku darf nicht durch mechanische Krafteinwirkung oder Belastungen beschädigt oder verformt werden. Andernfalls besteht Verletzungs- und Brandgefahr.
- ◆ Laden Sie beschädigte Akkus nicht auf.
- ◆ Unter extremen Bedingungen können Akkus undicht werden. Wenn Sie feststellen, dass aus dem Akku Flüssigkeit austritt, wischen Sie diese vorsichtig mit einem Tuch ab. Vermeiden Sie Hautkontakt.
- ◆ Beachten Sie nach Haut- oder Augenkontakt die folgenden Hinweise.

**Achtung!** Batteriesäure kann Sach- oder Personenschäden verursachen. Spülen Sie die Säure nach Hautkontakt sofort mit Wasser ab. Suchen Sie einen Arzt auf, wenn sich auf der Haut Rötungen, Reizungen oder andere Irritationen zeigen. Spülen Sie das Auge nach Augenkontakt sofort mit sauberem Wasser aus, und suchen Sie einen Arzt auf.

#### Ladegeräte

Das Ladegerät ist für eine bestimmte Spannung ausgelegt. Stellen Sie sicher, dass die Netzspannung der auf dem Typenschild des Geräts angegebenen Spannung entspricht.

**Achtung!** Ersetzen Sie das Ladegerät keinesfalls durch ein normales Netzkabel.

- ◆ Verwenden Sie das Black & Decker Ladegerät nur für den Akku des Geräts, mit dem es geliefert wurde. Andere Akkus könnten platzen und Sachschäden oder Verletzungen verursachen.
- ◆ Versuchen Sie keinesfalls, nicht aufladbare Batterien zu laden.
- ◆ Ist das Netzkabel beschädigt, muss es durch den Hersteller oder eine Black & Decker Vertragswerkstatt ausgetauscht werden, um eine mögliche Gefährdung zu vermeiden.
- ◆ Achten Sie darauf, dass das Ladegerät nicht mit Wasser in Berührung kommt.

- ◆ Versuchen Sie nicht, das Ladegerät zu öffnen.
- ◆ Nehmen Sie am Ladegerät keine Veränderungen vor.
- ◆ Während das Gerät/der Akku geladen wird, muss auf ausreichende Belüftung geachtet werden.

## Warnsymbole auf dem Ladegerät

Am Ladegerät sind die folgenden Symbole angebracht:



Lesen Sie diese Anleitung gründlich durch, bevor Sie das Gerät verwenden.



Bei extrem hohen Umgebungstemperaturen schaltet sich das Ladegerät automatisch ab. Das Ladegerät lässt sich danach nicht mehr in Betrieb nehmen. Es muss dann von der Netzstromversorgung getrennt und in einer Vertragswerkstatt repariert werden.



Laden Sie den Akku bei Umgebungstemperaturen von 10°C bis 40°C.



Die Ladestation darf nur im Innenbereich verwendet werden.



Das Ladegerät ist schutzisoliert, daher ist keine Erdleitung erforderlich. Stellen Sie sicher, dass die Netzspannung der auf dem Typenschild des Geräts angegebenen Spannung entspricht.

## Elektrische Sicherheit



Das Ladegerät ist schutzisoliert, daher ist keine Erdleitung erforderlich. Stellen Sie sicher, dass die Netzspannung der auf dem Typenschild des Geräts angegebenen Spannung entspricht.

Ist das Netzkabel beschädigt, muss es durch den Hersteller oder eine Black & Decker Vertragswerkstatt ausgetauscht werden, um eine mögliche Gefährdung zu vermeiden.

**Achtung!** Ersetzen Sie das Ladegerät keinesfalls durch ein normales Netzkabel.

## Merkmale

1. Ein-/Ausschalter
2. Einschaltsperr
3. Ölbehälterdeckel
4. Ölbehälter
5. Vordere Schutzvorrichtung
6. Kettenabdeckung
7. Einstellschraube für Kettenspannung
8. Kette
9. Führungsschwert
10. Akku
11. Kettenschutz
12. Ladegerätaufnahme
13. Ladegerät

## Montage

**Achtung!** Entfernen Sie vor der Montage den Akku (10) aus dem Gerät.

### Einsetzen und Entfernen des Akkus (Abb. A)

- ◆ Um den Akku (10) einzusetzen, richten Sie ihn an der Aufnahme am Gerät aus. Schieben Sie den Akku (10) in die Aufnahme bis der Akku (10) in die richtige Position gelangt und einrastet.
- ◆ Um den Akku (10) zu entfernen, drücken Sie die Entriegelungstaste (24) und schieben Sie gleichzeitig den Akku (10) aus der Aufnahme.

**Achtung!** Um unbeabsichtigten Betrieb zu vermeiden, stellen Sie vor Ausführung der folgenden Schritte sicher, dass der Akku entfernt wurde und der Kettenschutz (11) korrekt auf der Kette (8) sitzt. Eine Nichtbeachtung kann zu ernsthaften Verletzungen führen.

### Laden des Akkus (Abb. B & C)

Der Akku ist zu laden, bevor Sie das Akku-Gerät zum ersten Mal benutzen sowie wenn die Leistung des Akku-Geräts spürbar nachlast. Wenn der Akku zum ersten Mal oder nach längerer Lagerung geladen wird, wird er nur 80% der Nennkapazität erreichen. Erst nach mehreren Lade- und Entladezyklen wird der Akku die volle Kapazität erreichen. Während des Ladens kann sich der Akku erwärmen. Dies deutet nicht auf irgendein Problem hin.

**Achtung!** Laden Sie den Akku nicht bei einer Umgebungstemperatur unter 10°C oder über 40°C. Empfohlene Ladetemperatur: zirka 24°C.

### 8-Stunden-Ladegerät (Abb. B)

- ◆ Um den Akku (10) zu laden, entfernen Sie ihn vom Gerät, und schieben Sie die Ladegerätaufnahme (12) auf den Akku.
- ◆ Stecken Sie das Ladegerät (13) in die Steckdose.

Der Akku (10) ist in zirka 8 Stunden vollständig aufgeladen. Er kann jederzeit aus dem Ladegerät entfernt oder für eine unbegrenzte Zeit im angeschlossenen Ladegerät belassen werden.

### 1-Stunden-Ladegerät (Abb. C)

- ◆ Um den Akku (10) zu laden, entfernen Sie ihn vom Gerät und stecken ihn in das Ladegerät (23). Der Akku last sich nur in einer Stellung in das Ladegerät einführen. Wenden Sie keine Gewalt an. Vergewissern Sie sich, dass der Akku vollständig in das Ladegerät eingeführt ist.
- ◆ Stecken Sie den Netzstecker des Ladegerates in die Steckdose.

Überprüfen Sie, ob die rote Ladeanzeige aufleuchtet. Falls stattdessen die grüne Anzeige für das Ende des Ladevorgangs aufleuchtet, ist der Akku zu heiß zum Laden. Ist dies der Fall, nehmen Sie den Akku aus dem Ladegerät, lassen ihn ca. eine Stunde lang abkühlen und setzen ihn dann wieder in das Ladegerät ein.

Nach dem ca. einstündigen Ladevorgang erlischt die rote Ladeanzeige und es leuchtet die grüne Anzeige für das Ende des Ladevorgangs auf. Der Akku ist nun vollständig geladen.

- ◆ Entfernen Sie den Akku vom Ladegerät.

### Einsetzen und Entfernen der Sägekette (Abb. D - F und H)



Tragen Sie beim Einsetzen oder Entfernen der Sägekette (8) immer Schutzhandschuhe. Die Sägekette ist scharf und kann auch in ruhendem Zustand zu Schnittverletzungen führen.

- ◆ Legen Sie das Gerät auf eine sehr stabile Unterlage.
- ◆ Lösen Sie die beiden Innensechskantschrauben (14) mit dem mitgelieferten Sechskantschlüssel (21). Drehen Sie die Schrauben (14) heraus.
- ◆ Entfernen Sie die Kettenabdeckung (6).
- ◆ Drehen Sie die Kettenspannschraube (7) gegen den Uhrzeigersinn, um das Führungsschwert (9) zurückzuführen und die Spannung auf der Sägekette (8) zu vermindern.
- ◆ Nehmen Sie die alte Sägekette (8) vom Kettenrad (15) und dem Führungsschwert (9).
- ◆ Platzieren Sie die neue Sägekette (8) in die Nut im Führungsschwert (9) und um das Kettenrad (15). Stellen Sie sicher, dass die Zähne in die richtige Richtung zeigen, indem Sie den Pfeil auf der Sägekette (8) in Übereinstimmung mit dem Pfeil auf der Kettenabdeckung (6) bringen.

- ◆ Stellen Sie sicher, dass sich die Aussparung (17) im Führungsschwert (9) über den Arretierstiften (18) befindet und das Loch (20) unter der Aussparung über dem Justierstift (19) ist.
- ◆ Bringen Sie die Kettenabdeckung (6) und die beiden Innensechskantschrauben (14) an.
- ◆ Ziehen Sie die Innensechskantschrauben (14) mit dem mitgelieferten Sechskantschlüssel (21) an.
- ◆ Stellen Sie die Kettenspannung wie nachfolgend beschrieben ein.

### Prüfen und Einstellen der Kettenspannung (Abb. D und G)

- ◆ Überprüfen Sie die Spannung der Kette. Die Spannung ist richtig, wenn die Sägekette (8) bei leichtem Druck von Mittelfinger und Daumen in einem Abstand von 3 mm vom Führungsschwert (9) zurückschnappt. Die Sägekette (8) muss auch an der Unterseite des Führungsschwerts (9) eng anliegen. Es darf kein Durchhang vorhanden sein.

So stellen Sie die Spannung ein:

- ◆ Lösen Sie die beiden Innensechskantschrauben (14).
- ◆ Drehen Sie die Kettenspannschraube (7) im Uhrzeigersinn.

**Achtung!** Überspannen Sie die Kette nicht. Dies würde den Verschleiß erhöhen und die Lebensdauer von Kette und Führungsschwert verkürzen.

- ◆ Ziehen Sie die beiden Innensechskantschrauben (14) an, sobald die Spannung richtig eingestellt ist.

**Achtung!** Prüfen Sie die Spannung bei einer neuen Sägekette häufig während der ersten beiden Stunden des Gebrauchs, da sich neue Ketten etwas dehnen.

### Füllen des Ölbehälters (Abb. H)

- ◆ Nehmen Sie den Ölbehälterdeckel (3) ab, und füllen Sie den Behälter (4) mit dem empfohlenen Kettenöl. Der Ölpegel ist im Ölbehälter (4) zu sehen. Bringen Sie den Ölbehälterdeckel (3) wieder an.
- ◆ Schalten Sie das Gerät regelmäßig aus, und überprüfen Sie den Ölpegel. Sobald der Ölpegel ein Viertel der Füllmenge unterschreitet, entfernen Sie den Akku (10) vom Gerät, und füllen Sie den Behälter (4) mit dem richtigen Öl auf.

### Ölen der Kette (Abb. H)

Die Sägekette (8) muss vor jedem Gebrauch und nach der Reinigung geölt werden. Verwenden Sie hierfür nur die richtige Ölkategorie (Katalognr. A6027).

- ◆ Ölen Sie die Sägekette (8), indem Sie vor jedem Schnitt zweimal den Drücker auf dem Ölbehälterdeckel (3) betätigen. Halten Sie den Drücker dabei 3 bis 4 Sekunden lang nach unten.

## Restrisiken

Für den Gebrauch dieses Geräts verbleiben zusätzliche Restrisiken, die möglicherweise nicht in den Sicherheitswarnungen genannt werden. Diese Risiken bestehen beispielsweise bei Missbrauch oder längerem Gebrauch.

Auch bei der Einhaltung der entsprechenden Sicherheitsvorschriften und der Verwendung aller Sicherheitsgeräte bestehen weiterhin bestimmte Restrisiken. Diese werden im Folgenden aufgeführt:

- ◆ Verletzungen, die durch das Berühren von sich drehenden/bewegenden Teilen verursacht werden.
- ◆ Verletzungen, die durch das Austauschen von Teilen, Messern oder Zubehör verursacht werden.
- ◆ Verletzungen, die durch längeren Gebrauch eines Geräts verursacht werden. Legen Sie bei längerem Gebrauch regelmäßige Pausen ein.
- ◆ Beeinträchtigung des Gehörs.
- ◆ Gesundheitsrisiken durch das Einatmen von Staub beim Gebrauch des Geräts (Beispielsweise bei Holzarbeiten, insbesondere Eiche, Buche und Pressspan).

## Gebrauch

### Ein- und Ausschalten (Abb. H)

**Achtung!** Beschleunigen Sie den Arbeitsvorgang nicht mit Gewalt. Vermeiden Sie eine Überlastung des Geräts.

Das Gerät ist zu Ihrer Sicherheit mit einer Zweihandbetätigung ausgestattet. Diese verhindert das versehentliche Einschalten.

### Einschalten

- ◆ Drücken Sie den Verriegelungsknopf (2) und gleichzeitig den Ein-/Ausschalter (1).
- ◆ Lassen Sie den Verriegelungsknopf (2) los.

### Ausschalten

- ◆ Lassen Sie den Ein-/Ausschalter (1) los.

**Achtung!** Versuchen Sie niemals, einen Schalter in seiner Einschaltstellung zu arretieren.

### Schneiden von Ästen (Abb. I)

Vergewissern Sie sich, dass das Beschneiden von Ästen nicht durch lokale Verordnungen oder Gesetze eingeschränkt oder untersagt wird. Das Schneiden von Ästen sollte nur von erfahrenen Personen durchgeführt werden, da das Risiko des Einklemmens oder eines Rückschlags der Sägekette (8) relativ hoch ist.

Berücksichtigen Sie vor Beginn der Arbeit alle Faktoren, die die Fallrichtung beeinflussen könnten. Hierzu gehören:

- ◆ die Länge und das Gewicht des zu schneidenden Asts

- ◆ Morscheit oder außergewöhnlich schwere Holzstruktur
- ◆ Bäume und Hindernisse in der Umgebung (z. B. Stromleitungen)
- ◆ Windgeschwindigkeit und Windrichtung
- ◆ die Verflechtung mit anderen Ästen

Achten Sie auf einen guten Zugang zum Ast, und berücksichtigen Sie die Fallrichtung. Äste haben die Tendenz, zum Baumstamm zu schwingen. Gefährdet sind neben dem Bediener der Kettensäge alle Personen und Gegenstände unterhalb des Asts.

Um ein Splintern zu verhindern, wird der Ast zunächst bis zu einem Drittel seines Durchmessers von unten eingesägt. Danach erfolgt ein Schnitt von oben, bis der Ast durchtrennt ist.

### Leichte Sägearbeiten (Abb. J)

Wie der Schnitt ausgeführt werden sollte, hängt davon ab, wie das Holzstück gestützt wird. Verwenden Sie nach Möglichkeit einen Sägebock. Beginnen Sie einen Schnitt immer mit laufender Sägekette (8) und den Anschlagkrallen am Holz. Führen Sie den Schnitt dann in einer Kippbewegung nach unten durch das Holzstück.

Holz ist entlang der gesamten Länge abgestützt:

- ◆ Führen Sie einen Abwärtsschnitt durch. Achten Sie darauf, dass die Kette nicht mit dem Boden in Berührung kommt, da sie hierdurch schnell stumpf wird.

Holz ist an beiden Enden abgestützt:

- ◆ Schneiden Sie zunächst ein Drittel nach unten, um ein Splintern zu verhindern. Schneiden Sie dann von unten nach oben in Richtung des ersten Schneidspalts.

Holz ist an einem Ende abgestützt:

- ◆ Schneiden Sie zunächst ein Drittel nach oben, und anschließend nach unten, um ein Splintern zu verhindern.

Bei Sägearbeiten an einem Hang:

- ◆ Stehen Sie immer auf der Bergseite.

Bei Verwendung eines Sägebocks (Abb. J):

Die Verwendung eines Sägebocks wird dringend empfohlen.

- ◆ Bringen Sie das zu schneidende Holzstück in eine stabile Position. Schneiden Sie immer außerhalb der Sägebockenden. Benutzen Sie gegebenenfalls eine Spannvorrichtung, um das Holzstück zu fixieren.

## Reinigung, Wartung und Lagerung

Ihr Black & Decker Gerät wurde im Hinblick auf eine lange Lebensdauer und einen möglichst geringen Wartungsaufwand entwickelt.

Ein dauerhafter, einwandfreier Betrieb setzt eine regelmäßige Pflege und Reinigung voraus.

Das Ladegerät benötigt keine Wartung, es sollte aber regelmäßig gereinigt werden.

**Achtung!** Entfernen Sie vor sämtlichen Wartungsarbeiten den Akku aus dem Gerät. Ziehen Sie das Ladegerät aus der Netzsteckdose, bevor Sie es reinigen.

### Anbringen der Akkukappe (Abb. K)

**Achtung!** Verwenden Sie die Akkukappe (22) zum Transport und zur Aufbewahrung des Akkus (10).

### Nach dem Gebrauch und vor der Aufbewahrung

Reinigen Sie die Lüftungsschlitze regelmäßig mit einem sauberen, trockenen Pinsel.

Reinigen Sie das Gerät ausschließlich mit milder Seifenlösung und einem angefeuchteten Tuch. Achten Sie darauf, dass keine Flüssigkeit in das Gerät gelangt. Tauchen Sie kein Teil des Geräts in Flüssigkeit ein.

- ◆ Entfernen Sie Schmutzablagerungen mit einer harten Bürste.
- ◆ Schmier Sie die Kette (8) mit Öl.

### Schärfen der Sägekette

Um eine optimale Schneidleistung zu erhalten, muss die Sägekette regelmäßig geschärft werden. Anleitungen hierzu finden Sie auf der Verpackung des Schärfers. Wir empfehlen den Kauf des Black & Decker Kettenschärfersatzes A6039, erhältlich bei Ihrer Black & Decker Vertretung (Katalognr. A6039).

### Erneuern von verschlissenen oder beschädigten Sägeketten und Führungsschwertern

Austauschketten sind über den Fachhandel oder bei einer Black & Decker Vertretung (Nr. A6158) erhältlich, Austauschführungsschwerter sind nur über Black & Decker Vertretungen (Nr. 90517720) erhältlich. Verwenden Sie nur originale Ketten und Führungsschwerter von Black & Decker, um Verletzungsgefahr zu vermeiden. Verwenden Sie ausschließlich Originalersatzteile.

### Schärfe der Sägekette

Die Zähne der Kette werden sofort stumpf, wenn sie beim Sägen den Boden oder einen Nagel berühren.

### Kettenspannung

Überprüfen Sie regelmäßig die Spannung der Kette.

### Was ist zu tun, wenn die Kettensäge repariert werden muss?

Ihr Gerät erfüllt alle einschlägigen Sicherheitsbestimmungen. Reparaturen sind nur von autorisierten Fachkräften und mit Originalersatzteilen vorzunehmen. Andernfalls besteht Unfall- und Verletzungsgefahr. Bewahren Sie diese Anleitung an einem sicheren Ort auf.

### Aufbewahrung

Wenn das Gerät während einiger Monate nicht in Gebrauch ist, sollte der Akku (10) am besten im Ladegerät verbleiben.

Gehen Sie andernfalls wie folgt vor:

- ◆ Entfernen Sie den Akku (10) aus dem Gerät.
- ◆ Laden Sie den Akku (10) vollständig auf.
- ◆ Bewahren Sie das Gerät und den Akku (10) an einem sicheren und trockenen Ort auf. Die Temperatur am Aufbewahrungsort muss immer im Bereich von +5 °C bis +40 °C liegen. Legen Sie den Akku (10) auf einem waagerechten Untergrund ab.
- ◆ Nach langer Lagerzeit sollte vor der Verwendung des Geräts der Akku (10) voll aufgeladen werden.

### Umweltschutz



Getrennte Entsorgung. Dieses Produkt darf keinesfalls mit dem Hausmüll entsorgt werden.

Wenn Sie Ihr Black & Decker Produkt durch ein neues Gerät ersetzen möchten oder keine Verwendung mehr dafür haben, entsorgen Sie es nicht mit dem Hausmüll. Führen Sie das Produkt einer getrennten Sammlung zu.



Durch die getrennte Sammlung von ausgedienten Produkten und Verpackungsmaterialien können Rohstoffe recycelt und wiederverwendet werden. Die Wiederverwendung aufbereiteter Materialien trägt zur Vermeidung der Umweltverschmutzung bei und senkt den Rohstoffbedarf.

Die Verordnung zur Abfallentsorgung Ihrer Gemeinde sieht möglicherweise vor, dass Elektrogeräte getrennt vom Hausmüll gesammelt, an der örtlichen Abfallentsorgungseinrichtung abgegeben oder beim Kauf eines neuen Produkts vom Fachhandel zur Entsorgung angenommen werden müssen.

Black & Decker nimmt Ihre ausgedienten Black & Decker Geräte gern zurück und sorgt für eine umweltfreundliche Entsorgung bzw. Wiederverwertung. Um diese Dienstleistung in Anspruch zu nehmen, geben Sie das Gerät bitte bei einer autorisierten Reparaturwerkstatt ab, die für uns die Einsammlung übernimmt.

Die Adresse der zuständigen Niederlassung von Black & Decker steht in dieser Anleitung. Diese teilt Ihnen gerne die nächstgelegene Vertragswerkstatt mit. Außerdem ist eine Liste der Vertragswerkstätten und aller Kundendienststellen von Black & Decker sowie der zuständigen Ansprechpartner im Internet zu finden unter: [www.2helpU.com](http://www.2helpU.com).

## Akkus



Black & Decker Akkus können viele Male geladen werden. Denken Sie bei der Entsorgung von verbrauchten Akkus an unsere Umwelt.

- ◆ Entladen Sie den Akku vollständig, und entfernen Sie ihn dann aus dem Gerät.
- ◆ NiCd- und NiMH-Akkus können recycelt werden. Bringen Sie diese Akkus zu einer autorisierten Vertragswerkstatt oder zu einer Rücknahmestelle in Ihrer Nähe.

## Technische Daten

	GKC1817 H1	GKC1817P H1	GKC1817NM H1
Spannung	VDC 18	18	18
Kettengeschwindigkeit (Leerlauf)	min <sup>-1</sup> 190	190	190
Gewicht	kg 2	2	2

Akku Modell	A18 GKC1817	A1718 GKC1817P	A18NH GKC1817NM
Spannung	VDC 18	18	18
Kapazität	Ah 1,5	1,7	1,5
Gewicht	kg 0,8	0,8	0,8

Ladegerät Modell	TPCA-240080*1 GKC1817, GKC1817P	TPCA-240080*2 GKC1817NM	31190*,** GKC1817, GKC1817P	TPCA-180021*1 GKC1817NM
Eingangsspannung	VAC 200-240	200-240	230-240	230-240
Ausgangsspannung	VDC 18	18	21,75	21,75
Ausgangsstrom	mA 800	800	210 / 230	200-240
Ungefähre Dauer des Ladevorgangs	h 1	1	8	8
Gewicht	kg 0,399	0,4	0,365	0,556

Garantierter Schalldruckpegel, gemessen nach 2000/14/EG:  
 $L_{pA}$  (Schalldruck) 78,6 dB(A), Unsicherheitsfaktor (K) 3 dB(A)  
 $L_{WA}$  (Schalleistung) 89,6 dB(A), Unsicherheitsfaktor (K) 3 dB(A)  
 $L_{WA}$  (garantiert) 90 dB(A)

Bei einem Schalldruck über 80 dB(A) ist ein geeigneter Gehörschutz zu tragen.  
 Gewichteter Hand-/Arm-Vibrationswert nach EN60745: 4 m/s<sup>2</sup>



## EU-Konformitätserklärung

### RICHTLINIE FÜR MASCHINEN



### GKC1817, GKC1817P, GKC1817NM

Black & Decker erklärt, dass die unter „Technische Daten“ beschriebenen Produkte den folgenden Normen entsprechen: 2006/42/EG, EN60745-1, EN60745-2-13

Weitere Informationen erhalten Sie von Black & Decker unter der folgenden Adresse bzw. mithilfe der Angaben auf der Rückseite dieser Anleitung.

Der Unterzeichnete ist verantwortlich für die Zusammenstellung der technischen Daten und gibt diese Erklärung im Namen von Black & Decker ab.

Kevin Hewitt  
Vice-President Global Engineering  
Black & Decker Europe, 210 Bath Road, Slough,  
Berkshire, SL1 3YD  
Großbritannien  
12-04-2010

## Garantie

Black & Decker vertraut auf die Qualität der eigenen Geräte und bietet dem Käufer eine außergewöhnliche Garantie. Diese Garantiezusage versteht sich unbeschadet der gesetzlichen Gewährleistungsansprüche und schränkt diese keinesfalls ein. Sie gilt in sämtlichen Mitgliedstaaten der Europäischen Union und der Europäischen Freihandelszone EFTA.

Tritt innerhalb von 24 Monaten ab Kaufdatum an einem Gerät von Black & Decker ein auf Material- oder Verarbeitungsfehler zurückzuführender Mangel auf, garantiert Black & Decker den Austausch defekter Teile, die Reparatur von Geräten mit üblichem Verschleiß bzw. den Austausch eines mangelhaften Geräts, ohne den Kunden dabei mehr als unbedingt nötig in Anspruch zu nehmen, allerdings vorbehaltlich folgender Ausnahmen:

- ◆ wenn das Gerät gewerblich, beruflich oder im Verleihgeschäft benutzt wurde;
- ◆ wenn das Gerät missbräuchlich verwendet oder mit mangelnder Sorgfalt behandelt wurde;
- ◆ wenn das Gerät durch Fremdeinwirkung beschädigt wurde;
- ◆ wenn ein unbefugter Reparaturversuch durch anderes Personal als das einer Vertragswerkstatt oder des Black & Decker Kundendienstes unternommen wurde.

Zur Inanspruchnahme dieser Garantie ist dem Verkäufer bzw. der Vertragswerkstatt ein Kaufnachweis vorzulegen. Die Adresse der zuständigen Niederlassung von Black & Decker steht in dieser Anleitung. Dort teilt man Ihnen gerne die nächstgelegene Vertragswerkstatt mit. Außerdem ist eine Liste der Vertragswerkstätten und aller Kundendienststellen von Black & Decker sowie der zuständigen Ansprechpartner im Internet zu finden unter:

**[www.2helpU.com](http://www.2helpU.com)**

Bitte besuchen Sie unsere Webseite **[www.blackanddecker.de](http://www.blackanddecker.de)**, um Ihr neues Black & Decker Produkt zu registrieren und sich über neue Produkte und Sonderangebote zu informieren. Weitere Informationen über die Marke Black & Decker und unsere Produkte finden Sie unter **[www.blackanddecker.de](http://www.blackanddecker.de)**.

## Utilisation

Votre tronçonneuse compacte Black & Decker est conçue pour l'élagage et les petits travaux de coupe. Cet outil est destiné à une utilisation exclusivement domestique.

## Consignes de sécurité

### Consignes de sécurité concernant les outils électroportatifs




**Attention ! Lisez avec attention tous les avertissements et toutes les instructions.**

Le non-respect de cette consigne peut entraîner une électrocution, un incendie et/ou de graves blessures.

### Conservez tous les avertissements et instructions pour référence ultérieure.

La notion d'« outil électroportatif » mentionnée par la suite se rapporte à des outils électriques raccordés au secteur (avec câble de raccordement) ou fonctionnant avec batterie (sans fil).

1. **Sécurité de la zone de travail**
  - a. **Maintenez la zone de travail propre et bien éclairée.** Un lieu de travail en désordre ou mal éclairé augmente le risque d'accidents.
  - b. **N'utilisez pas les outils électroportatifs dans un environnement présentant des risques d'explosion ni en présence de liquides, gaz ou poussières inflammables.** Les outils électroportatifs génèrent des étincelles risquant d'enflammer les poussières ou les vapeurs.
  - c. **Pendant l'utilisation d'un outil électroportatif, les enfants et autres personnes doivent rester éloignés.** En cas d'inattention, vous risquez de perdre le contrôle de l'outil.
2. **Sécurité électrique**
  - a. **La prise de l'outil électroportatif doit convenir à la prise de courant. Ne modifiez en aucun cas la prise. N'utilisez pas de prises d'adaptateur avec des appareils ayant une prise de terre.** Le respect de ces consignes réduit le risque de choc électrique.
  - b. **Évitez le contact physique avec des surfaces mises à la terre telles que tuyaux, radiateurs, fours et réfrigérateurs.** Le risque de choc électrique augmente si votre corps est relié à la terre.
  - c. **N'exposez pas l'outil électroportatif à la pluie ni à l'humidité.** La pénétration d'eau dans un outil électroportatif augmente le risque de choc électrique.
- d. **Préservez le câble d'alimentation. N'utilisez pas le câble pour porter l'outil, pour l'accrocher ou encore pour le débrancher. Maintenez le câble éloigné des sources de chaleurs, des parties huilées, des bords tranchants ou des parties de l'appareil en rotation.** Le risque de choc électrique augmente si les câbles sont endommagés ou emmêlés.
- e. **Si vous utilisez l'outil électroportatif à l'extérieur, utilisez une rallonge homologuée pour utilisation à l'air libre.** L'utilisation d'une rallonge électrique homologuée pour les travaux à l'extérieur réduit le risque de choc électrique.
- f. **Si l'outil doit être utilisé dans un endroit humide, prenez les précautions nécessaires en utilisant un dispositif à courant résiduel (RCD).** L'utilisation d'un tel dispositif réduit les risques d'électrocution.
3. **Sécurité personnelle**
  - a. **Restez vigilant, surveillez ce que vous faites. Faites preuve de bon sens quand vous utilisez un outil électroportatif. N'utilisez pas l'outil lorsque vous êtes fatigué ou après avoir consommé de l'alcool ainsi que des médicaments.** Un moment d'inattention lors de l'utilisation de l'outil peut entraîner de graves blessures.
  - b. **Portez un équipement de protection. Portez toujours des lunettes de protection.** Selon le travail à effectuer, le port d'équipement de protection tels que masque anti-poussières, chaussures de sécurité antidérapantes, casque ou protection auditive, réduit le risque de blessures.
  - c. **Évitez un démarrage imprévu. L'appareil doit être en position OFF (arrêt) avant d'effectuer le branchement à l'alimentation et/ou au bloc-batterie, de le ramasser ou de le porter.** Ne laissez pas votre doigt sur le bouton de commande, ceci peut être à l'origine d'accidents.
  - d. **Retirez tout outil ou clé de réglage avant de mettre l'outil en marche.** Une clé ou un outil se trouvant sur une partie en rotation peut causer des blessures.
  - e. **Adoptez une position confortable. Adoptez une position stable et gardez votre équilibre en permanence.** Vous contrôlerez ainsi mieux l'outil dans des situations inattendues.
  - f. **Portez des vêtements appropriés. Ne pas porter de vêtements flottants ou de bijoux. N'approchez pas les cheveux, vêtements ou gants des parties des pièces mobiles.** Les vêtements amples, les bijoux ou les cheveux longs peuvent être attrapés dans les pièces en mouvement.

- g. En cas d'utilisation d'appareils servant à aspirer ou à recueillir les poussières, assurez-vous qu'ils sont correctement raccordés et utilisés.** L'utilisation de tels appareils permet de réduire les dangers liés aux poussières.
- 4. Utilisation des outils électroportatifs et précautions**
- a. Respectez la capacité de l'outil. Utilisez l'outil électroportatif approprié pour le travail à effectuer.** Avec un outil approprié, vous travaillerez mieux et en toute sécurité.
- b. N'utilisez pas un outil électroportatif dont l'interrupteur marche/arrêt est défectueux.** Un outil électroportatif qui ne peut plus être mis en marche ou arrêté est dangereux et doit être réparé.
- c. Retirez la prise de courant et/ou débranchez le bloc-batterie avant d'effectuer des réglages, de changer les accessoires ou de ranger l'outil.** Cette mesure de précaution empêche de mettre l'outil en marche accidentellement.
- d. Rangez les outils électroportatifs hors de portée des enfants. Les personnes ne connaissant pas l'outil ou n'ayant pas lu ces instructions ne doivent en aucun cas l'utiliser.** Les outils électroportatifs sont dangereux lorsqu'ils sont utilisés par des personnes non initiées.
- e. Prenez soin des outils électroportatifs. Vérifiez que les parties en mouvement fonctionnent correctement et qu'elles ne sont pas coincées. Vérifiez qu'il n'y a pas de pièces cassées ou endommagées susceptibles de nuire au bon fonctionnement de l'outil. S'il est endommagé, faites réparer l'outil avant de l'utiliser.** De nombreux accidents sont la conséquence d'outils mal entretenus.
- f. Maintenez les outils de coupe aiguisés et propres.** Des outils soigneusement entretenus avec des bords tranchants bien aiguisés se coincent moins souvent et peuvent être guidés plus facilement.
- g. Utilisez les outils électroportatifs, les accessoires, etc. en suivant ces instructions et en tenant compte des conditions de travail, ainsi que du travail à effectuer.** L'utilisation des outils électroportatifs à d'autres fins que celles prévues peut vous mettre en situation dangereuse.
- 5. Utilisation de la batterie et précautions**
- a. Ne rechargez qu'avec le chargeur proposé par le fabricant.** Un chargeur destiné à un type de bloc-batteries risque de provoquer des incendies s'il est utilisé avec un bloc-batteries différent.
- b. N'utilisez les appareils électroportatifs qu'avec le bloc-batteries approprié.** L'utilisation d'un autre bloc-batteries peut provoquer des blessures ou être à l'origine d'un feu.
- c. Quand le bloc-batteries n'est pas utilisé, éloignez-le d'objets en métal comme des agrafes, des pièces, des clés, des clous, des vis ou autres petits objets qui pourraient établir une connexion d'une borne à l'autre.** Un tel court-circuit peut être à l'origine d'un feu ou de brûlures.
- d. En cas d'utilisation excessive, le liquide peut sortir de la batterie; évitez tout contact. Si vous n'avez pu éviter le contact, rincez à l'eau. En cas de contact avec les yeux, consultez un médecin.** Le liquide sortant des batteries peut causer des irritations ou des brûlures.
- 6. Réparations**
- a. Faites réparer votre outil électroportatif uniquement par du personnel qualifié et seulement avec des pièces de rechange d'origine.** La fiabilité de l'outil sera ainsi garantie.
- Consignes de sécurité supplémentaires concernant les outils électroportatifs**
-  **Attention !** Prendre encore plus de précautions avec les tronçonneuses compactes.
- Ce manuel d'instructions décrit comment utiliser cet outil. N'exécutez que les travaux appropriés à cet outil. Par exemple, cet outil ne doit pas être utilisé pour la coupe des arbres. L'utilisation d'un accessoire ou d'une fixation, ou bien l'utilisation de cet outil à d'autres fins que celles recommandées dans ce manuel peut présenter un risque de blessures.
- ◆ Ne portez pas de vêtements amples. Portez des vêtements de protection comme un casque de protection avec visière/lunettes, un serre-tête antibruit, des chaussures de sécurité antidérapantes, une salopette et des gants de cuir.
  - ◆ Veillez à ne pas vous placer sur la trajectoire de chute des branches.
  - ◆ La distance de sécurité entre une branche à couper ou à débiter et les personnes, bâtiments ou autres objets se trouvent à proximité doit être au moins égale à 2 1/2 fois la longueur de la branche. Les personnes, bâtiments ou objets se trouvant en deçà de cette distance risquent d'être heurtés par la branche tombante.

- ◆ Avant l'abattage, vérifiez où vont tomber les branches. Assurez-vous que cette issue ne contient pas d'obstacles risquant d'empêcher ou de gêner vos déplacements. N'oubliez pas que l'herbe mouillée et l'écorce fraîchement coupée sont glissantes.
- ◆ Travaillez toujours avec quelqu'un à proximité (tout en respectant une distance de sécurité), pour le cas où un accident se produirait.
- ◆ N'utilisez pas cet outil quand vous êtes dans l'arbre, sur une échelle ou une surface instable.
- ◆ Adoptez une position stable et gardez votre équilibre à tout moment.
- ◆ Tenez fermement l'outil avec les deux mains lorsque le moteur est en marche.
- ◆ Lorsque la chaîne est en mouvement, ne la laissez pas toucher d'objet à l'extrémité du guide-chaîne.
- ◆ Ne commencez la coupe qu'avec une chaîne à pleine vitesse.
- ◆ N'essayez pas d'insérer la scie dans une entaille préexistante. Faites toujours une nouvelle entaille.
- ◆ Faites attention aux branches en mouvement ou aux autres forces qui pourraient refermer une entaille et pincer ou entraver la chaîne.
- ◆ Ne tentez pas de couper une branche ayant un diamètre supérieur à la longueur de coupe de la tronçonneuse.
- ◆ Retirez toujours la batterie de l'outil et placez le cache-chaîne sur la chaîne pour ranger l'outil ou le transporter.
- ◆ La chaîne doit rester affûtée et tendue. Vérifiez régulièrement la tension de la chaîne.
- ◆ Éteignez toujours l'outil, laissez la chaîne s'arrêter et retirez la batterie de l'outil avant d'effectuer des réglages, des entretiens ou des réparations.
- ◆ N'utilisez que des pièces de remplacement et des accessoires d'origine.

## Causes et prévention de retour de chaîne

Un retour de chaîne peut se produire quand l'extrémité du guide-chaîne touche un objet ou quand du bois se coince et bloque la chaîne dans l'entaille.

Le contact du bout de la chaîne peut dans certains cas provoquer une réaction inverse soudaine, soulevant le guide-chaîne et se retourner vers l'utilisateur.

Si la chaîne se trouve coincée en haut du guide-chaîne, le guide peut se retourner rapidement vers l'utilisateur.

Ce genre de réactions risque de vous faire perdre le contrôle de la tronçonneuse et provoquer de graves blessures. Ne vous fiez pas uniquement aux dispositifs de sécurité de votre tronçonneuse. En temps qu'utilisateur, vous devez prendre les mesures nécessaires pour que les travaux de découpe soient le plus fiables possible.

Le retour de chaîne est le résultat d'une utilisation inappropriée de l'outil voire de procédures ou de conditions d'utilisation incorrectes. Il peut être évité en appliquant les précautions adéquates, décrites ci-dessous.

- ◆ **Maintenez fermement la tronçonneuse en serrant les poignées avec vos mains. Avec les deux mains sur la tronçonneuse, placez votre corps et votre bras de manière à pouvoir résister à la puissance d'un retour de chaîne.** La puissance d'un retour de chaîne peut être contrôlée par l'utilisateur si les précautions nécessaires sont prises. Ne relâchez pas la tronçonneuse.
- ◆ **Adoptez une position confortable et ne coupez pas au-dessus de la hauteur de votre épaule.** Ceci permet d'éviter un contact accidentel du bout de la chaîne et d'obtenir un meilleur contrôle de la tronçonneuse dans des situations inattendues.
- ◆ **N'utilisez que les guides et les chaînes de remplacement prescrites par le fabricant.** La chaîne risque de se casser ou un retour de chaîne peut se produire si cette consigne n'est pas respectée.
- ◆ **Suivez les consignes d'entretien et d'affûtage données par le fabricant de la chaîne coupante.** Si vous abaissez la hauteur de l'indicateur de profondeur, les risques de retour de chaîne sont augmentés.

## Recommandations de sécurité applicables aux tronçonneuses

- ◆ Si vous utilisez cet outil pour la première fois, nous vous conseillons vivement d'obtenir, auprès d'un utilisateur expérimenté, des conseils pratiques concernant l'utilisation de la tronçonneuse et l'équipement de protection. Pour terminer l'apprentissage, il est conseillé de s'entraîner en sciant des bûches sur un chevalet de sciage ou sur un berceau.
- ◆ Nous vous recommandons de porter la tronçonneuse avec le frein enclenché.
- ◆ Entretenez votre tronçonneuse même si vous ne l'utilisez pas. Si vous souhaitez ranger votre tronçonneuse, enlevez toujours la chaîne et le guide-chaîne. Trempez-les dans un bain d'huile. Rangez toutes les pièces de votre tronçonneuse dans un endroit sec et sûr hors de portée des enfants.
- ◆ Nous vous recommandons de vidanger le réservoir d'huile avant de ranger la tronçonneuse.
- ◆ Tenez-vous dans un endroit sûr et prévoyez une issue fiable en cas de chute de branches ou d'arbre.
- ◆ Utilisez des coins pour contrôler l'abattage et éviter de plier le guide-chaîne et la chaîne dans l'entaille.

- ◆ Entretien de la chaîne coupante. Assurez-vous que la chaîne est fermement enroulée sur le guide de chaîne. Vérifiez que la chaîne et le guide sont bien propres et bien huilés. Veillez à ce que les poignées soient sèches et propres, sans trace d'huile ou de graisse.

Un retour de chaîne peut se produire lorsque :

- ◆ Vous heurtez des branches ou d'autres objets accidentellement avec une extrémité de la tronçonneuse lorsque la chaîne tourne.
- ◆ Vous heurtez du métal, du ciment ou tout autre matériau dur placé à côté du bois, ou enfoui dans le bois.
- ◆ La chaîne est émoussée ou desserrée.
- ◆ Vous coupez au-dessus de la hauteur de l'épaule.
- ◆ Vous manquez d'attention lorsque vous tenez ou guidez la tronçonneuse pendant la coupe.
- ◆ Vous faites un effort excessif. Adoptez une position stable et gardez votre équilibre en permanence et ne faites aucun effort non approprié.
- ◆ Vous essayez d'insérer la scie dans une entaille préexistante. Ceci peut provoquer un retour de chaîne. Faites toujours une nouvelle entaille.
- ◆ N'utilisez pas la tronçonneuse lorsque vous êtes monté sur un arbre, une échelle ou toute autre surface instable. Si vous décidez de le faire, soyez conscient du fait que ces positions sont extrêmement dangereuses.
- ◆ Lorsque vous coupez une branche cintrée, prenez garde au redressement qui pourrait se produire lorsque la tension se relâche.

Évitez de scier :

- ◆ Du bois préparé.
- ◆ Dans le sol.
- ◆ Des haies à grillage, du bois cloué, etc.
- ◆ Des arbustes ou des bosquets de petites tailles. Les tiges fines peuvent s'accrocher dans la chaîne et être éjectées vers vous ou vous déséquilibrer.
- ◆ N'utilisez pas l'outil à une hauteur au-dessus de votre épaule.
- ◆ Travaillez toujours avec quelqu'un à proximité (tout en respectant une distance de sécurité), pour le cas où un accident se produirait.
- ◆ Si vous devez toucher la chaîne pour quelque raison que ce soit, assurez-vous que la tronçonneuse est bien débranchée.
- ◆ Le bruit émis par la tronçonneuse peut dépasser les 80 dB(A). Nous vous recommandons donc vivement de prendre les mesures appropriées pour vous protéger contre le bruit.

## Sécurité des personnes

- ◆ Cet appareil ne doit pas être utilisé par des personnes (y compris les enfants) ayant des déficiences physiques, mentales ou sensorielles. Cette consigne s'applique aussi aux personnes manquant d'expérience et de connaissance du matériel, à moins que celles-ci n'aient reçu les instructions appropriées ou qu'elles ne soient encadrées par une personne responsable de leur sécurité pour utiliser l'appareil.
- ◆ Ne laissez jamais les enfants sans surveillance pour éviter qu'ils ne jouent avec cet appareil.

## Vibration

La valeur d'émission de vibration déclarée dans la section Déclaration/Données techniques de conformité a été mesurée selon une méthode d'essai standard fournie par la norme EN 60745 et peut être utilisée pour comparer un outil à un autre. Elle peut aussi être utilisée pour une évaluation préliminaire à l'exposition.

**Attention !** Selon la manière dont l'outil est utilisé, la valeur d'émission de vibration pendant l'utilisation en cours de l'outil peut être différente de la valeur déclarée. Le niveau de vibration peut augmenter au-dessus du niveau établi.

- ◆ Quand l'exposition aux vibrations est évaluée afin de déterminer les mesures de sécurité requises par la norme 2002/44/CE pour protéger les personnes utilisant régulièrement des outils électroportatifs, une estimation de l'exposition aux vibrations doit tenir compte des conditions actuelles d'utilisation et de la manière dont l'outil est utilisé. Il faut aussi tenir compte de toutes les pièces du cycle de fonctionnement comme la durée pendant laquelle l'outil est arrêté et quand il fonctionne au ralenti, ainsi que la durée du déclenchement.

## Symboles d'avertissement

Votre outil est marqué des symboles suivants :



**Attention !** Pour réduire le risque de blessures, l'utilisateur doit lire les instructions du manuel.



N'exposez pas votre tronçonneuse à la pluie ni à l'humidité.



Portez toujours des protections auditives.



Portez toujours des lunettes de protection.



Portez toujours des chaussures de sécurité non glissantes.



Attention à la chute d'objets.  
Ne laissez personne s'approcher.



Pour continuer à utiliser l'appareil en toute sécurité, vérifiez la tension de la chaîne (dans ce manuel) toutes les 10 minutes et ajustez en laissant un jeu de 3 mm, comme requis.  
Graissez la chaîne toutes les 10 minutes.



Sens de rotation de la chaîne.



Pour continuer à travailler en toute sécurité, la chaîne et le guide ne doivent être remplacés que par des pièces Black & Decker. Chaîne de recharge, numéro de pièce A6158.  
Guide-chaîne de recharge, numéro de pièce 90517720.

## Consignes de sécurité supplémentaires – batteries et chargeurs

### Batteries

- ◆ En aucun cas, n'essayez d'ouvrir l'appareil.
- ◆ Ne mettez pas la batterie en contact avec l'eau.
- ◆ N'approchez pas la batterie d'une source de chaleur.
- ◆ Ne le rangez pas dans des endroits où la température peut dépasser 40°C.
- ◆ Ne chargez qu'à température ambiante comprise entre 10°C et 40°C.
- ◆ N'utilisez que le chargeur fournis avec l'appareil/outil. Le non respect de cette consigne pourrait entraîner un électrotraumatisme ou une surchauffe de la batterie.
- ◆ Pour la mise au rebut des batteries, suivez les instructions données dans la section « Protection de l'environnement ».
- ◆ Ne déformez/n'endommagez pas le bloc batterie en le perçant ou en le cognant, ceci pourrait entraîner des blessures et un incendie.
- ◆ Ne chargez pas les batteries endommagées.
- ◆ Dans des conditions extrêmes, une batterie peut couler. Si vous détectez une fuite, utilisez un chiffon pour essuyer le liquide avec précaution. Évitez tout contact avec la peau.
- ◆ En cas de contact avec la peau ou les yeux, suivez les instructions ci-dessous.

**Attention !** Le liquide de batterie peut provoquer des blessures ou des dommages. En cas de contact avec la peau, rincez immédiatement à l'eau. Si des rougeurs, une douleur ou une irritation se produisent, consultez un médecin. En cas de contact avec les yeux, rincez à l'eau et consultez immédiatement un médecin.

### Chargeurs

Votre chargeur doit être utilisé avec une tension spécifique. Vérifiez toujours si la tension indiquée sur la plaque signalétique de l'appareil correspond à la tension de secteur.

**Attention !** N'essayez jamais de remplacer le chargeur par une prise secteur.

- ◆ N'utilisez votre chargeur Black & Decker que pour charger la batterie fournie avec l'appareil/outil. D'autres batteries pourraient exploser, provoquant des blessures et des dommages.
- ◆ Ne tentez jamais de recharger des batteries non rechargeables.
- ◆ Si le câble d'alimentation est endommagé, il doit être remplacé par le fabricant ou par un centre de réparation agréé Black & Decker pour éviter tout risque.
- ◆ Ne mettez pas le chargeur en contact avec l'eau.
- ◆ N'ouvrez pas le chargeur.
- ◆ Ne testez pas le chargeur.
- ◆ Pour le rechargement, placez l'appareil/outil/batterie dans un endroit correctement aéré.

### Symboles sur le chargeur

Les symboles suivants se trouvent sur votre chargeur :



Lisez et observez attentivement les instructions avant d'utiliser l'appareil.



Le chargeur s'arrête automatiquement si la température ambiante est trop élevée. Par conséquent, le chargeur devient inutilisable. L'unité doit être débranchée du secteur puis apportée à un centre d'entretien agréé pour réparation.



Ne chargez qu'à température ambiante comprise entre 10°C et 40°C.



Le support de charge ne peut être utilisé qu'à l'intérieur.



Votre chargeur est doublement isolé. Par conséquent, aucun câble de terre n'est nécessaire. Vérifiez toujours si la tension indiquée sur la plaque signalétique de l'appareil correspond à la tension de secteur.

## Sécurité électrique



Votre chargeur est doublement isolé. Par conséquent, aucun câble de terre n'est nécessaire. Vérifiez toujours si la tension indiquée sur la plaque signalétique de l'appareil correspond à la tension de secteur.

Si le câble d'alimentation est endommagé, il doit être remplacé par le fabricant ou par un centre de réparation agréé Black & Decker pour éviter tout risque.

**Attention !** N'essayez jamais de remplacer le chargeur par une prise secteur.

## Options

1. Bouton marche/arrêt
2. Bouton de déblocage
3. Bouchon d'huile
4. Réservoir d'huile
5. Ensemble de carter avant
6. Ensemble de cache de chaîne
7. Vis de réglage de tension de chaîne
8. Chaîne
9. Guide de chaîne
10. Batterie
11. Gaine de chaîne
12. Boîtier du chargeur
13. Chargeur

## Assemblage

**Attention !** Avant l'assemblage, retirez la batterie (10) de l'outil.

### Installation et retrait de la batterie (figure A)

- ◆ Pour installer la batterie (10), alignez-la avec le boîtier sur l'outil. Glissez la batterie (10) dans le boîtier et poussez-la jusqu'à ce qu'elle s'enclenche.
- ◆ Pour retirer la batterie (10), poussez le bouton de dégagement (24) tout en tirant sur la batterie (10) pour la sortir.

**Attention !** Pour éviter un accident, vérifiez que la batterie est retirée et que la gaine de chaîne (11) est sur la chaîne (8) avant d'effectuer les opérations suivantes. Le non respect de cette consigne peut entraîner des blessures graves.

### Chargement de la batterie (fig. B & C)

La batterie a besoin d'être chargée avant la première utilisation et à chaque fois qu'elle ne produit pas une puissance suffisante pour des travaux facilement effectués auparavant. Lorsque vous chargez la batterie pour la première fois ou suite à une inutilisation prolongée, le

chargement ne se fera qu'à 80%. Après plusieurs cycles de chargement et de déchargement, la batterie atteindra sa capacité totale. La batterie peut chauffer pendant le chargement ; cela est normal et n'indique pas de problème particulier.

**Attention !** Ne chargez pas la batterie à une température ambiante inférieure à 10°C ou supérieure à 40°C.  
Température de chargement recommandée : environ 24°C.

### Chargeur de 8 heures (fig. B)

- ◆ Pour charger la batterie (10), retirez-la de l'outil et glissez le receptacle du chargeur (12) sur la batterie.

### Branchez le chargeur (13).

La batterie (10) sera complètement chargée en 8 heures environ. Elle peut être enlevée à tout moment ou rester dans le chargeur connectée indéfiniment.

### Chargeur de 1 heure (fig. C)

- ◆ Pour charger la batterie (10), retirez-la de l'outil et insérez-la dans le chargeur (23). La batterie ne rentrera dans le chargeur que d'une seule façon. Ne forcez pas. Assurez-vous que la batterie est complètement enclenchée dans le chargeur.
- ◆ Branchez le chargeur.

Vérifiez si le voyant rouge de charge s'allume. Si le voyant vert indicateur de fin de charge s'allume maintenant à sa place, la batterie est trop chaude et ne peut être chargée. Si cela se produit, enlevez la batterie du chargeur, laissez-la refroidir pendant 1 heure environ et reinsérez-la. Après environ 1 heure de charge, le voyant rouge de charge s'éteindra et le voyant vert indicateur de fin de charge s'allumera. La batterie sera alors complètement chargée.

- ◆ Enlevez-la du chargeur.

### Installation et retrait de la chaîne (figure D, F et H)



Portez toujours des lunettes de protection pour installer ou retirer la chaîne (8). La chaîne est affûtée et reste coupante quand elle ne fonctionne pas.

- ◆ Placez l'outil sur une surface stable et ferme.
- ◆ Desserrez les 2 vis Allen (14) à l'aide de la clé Allen (21) fournie. Retirez les vis Allen (14).
- ◆ Retirez le cache-chaîne (6).
- ◆ Tournez la vis de réglage de tension de chaîne (7) dans le sens inverse des aiguilles d'une montre pour que le guide (9) se rétracte et pour réduire la tension sur la chaîne (8).
- ◆ Retirez la chaîne usée (8) du pignon de chaîne (18) et le guide (9).

- ◆ Placez la nouvelle chaîne (8) dans la rainure du guide (9) et autour du pignon (15). Vérifiez que les dents sont dans la bonne direction. La flèche sur la chaîne (8) doit correspondre à la flèche sur le cache (6).
- ◆ La fente (17) dans le guide (9) doit se trouver sur les axes de positionnement (18) et le trou (20) sous la fente au-dessus de la goupille de réglage (19).
- ◆ Replacez le cache (6) et les 2 vis Allen (14).
- ◆ Serrez les vis Allen (14) à l'aide de la clé Allen (21) fournie.
- ◆ Tendez la chaîne comme décrit ci-dessous.

## Contrôle et réglage de la tension de la chaîne (figure D et F)

- ◆ Vérifiez la tension de la chaîne. Pour vérifier si la tension de la chaîne (8) est correcte, pincez-la légèrement avec le pouce et le majeur à environ 3 mm du guide (9). Elle doit se remettre en place automatiquement. Il ne doit pas y avoir de jeu en dessous entre le guide (9) et la chaîne (8).

Pour régler la tension :

- ◆ Desserrez les 2 vis Allen (14).
- ◆ Tournez la vis de réglage de tension de chaîne (7) dans le sens des aiguilles d'une montre.

**Attention !** Veillez à ne pas trop tendre la chaîne car cela entraînerait une usure excessive et réduirait la durée de vie du guide et de la chaîne.

- ◆ Une fois la tension de la chaîne correcte, serrez les 2 vis Allen (14).

**Attention !** Lorsque la chaîne est neuve, contrôlez fréquemment la tension pendant les deux premières heures d'utilisation. Une chaîne neuve a tendance à se détendre légèrement.

## Remplissage du réservoir d'huile (figure H)

- ◆ Enlevez le bouchon du réservoir d'huile (3) et remplissez le réservoir (4) avec l'huile pour chaîne recommandée. Le niveau d'huile peut être observé sur l'indicateur du réservoir (4). Remettez le bouchon (3).
- ◆ Arrêtez régulièrement l'appareil pour vérifier l'indicateur de niveau d'huile. Si le niveau est inférieur au quart, retirez la batterie (10) de l'outil et remplissez le réservoir d'huile (4) au niveau approprié.

## Graissage de la chaîne (figure H)

La chaîne (8) doit être graissée avant chaque utilisation et après le nettoyage avec l'huile appropriée (cat. N° A6027).

- ◆ Graissez la chaîne (8) en appuyant sur le bouton du bouchon d'huile (3) pendant 3-4 secondes, deux fois avant chaque coupe.

## Risques résiduels

L'utilisation d'un outil non mentionné dans les consignes de sécurité données peut entraîner des risques résiduels supplémentaires. Ces risques peuvent survenir si l'outil est mal utilisé, si l'utilisation est prolongée, etc.

Malgré l'application des normes de sécurité correspondantes et la présence de dispositifs de sécurité, les risques résiduels suivants ne peuvent être évités. Ceci comprend :

- ◆ Les blessures dues au contact avec une pièce mobile/ en rotation.
- ◆ Les blessures causées en changeant des pièces, lames ou accessoires.
- ◆ Les blessures dues à l'utilisation prolongée d'un outil. Une utilisation prolongée de l'outil nécessite des pauses régulières.
- ◆ Déficience auditive.
- ◆ Risques pour la santé causés par l'inhalation de poussières produites pendant l'utilisation de l'outil (exemple : travail avec du bois, surtout le chêne, le hêtre et les panneaux en MDF).

## Utilisation

### Mise en marche et arrêt (figure H)

**Attention !** Laissez l'outil fonctionner à sa propre vitesse. Évitez une surcharge.

Pour votre sécurité, cet outil est équipé d'interrupteurs doubles permettant de prévenir tout démarrage accidentel.

### Démarrage

- ◆ Appuyez sur le bouton de déblocage (2) et sur le bouton marche/arrêt (1) en même temps.
- ◆ Relâchez le bouton de déblocage (2).

### Arrêt

- ◆ Relâchez le bouton marche/arrêt (1).

**Attention !** N'essayez jamais de bloquer une commande en position marche.

### Élagage des arbres (figure I)

Assurez-vous que la législation ou les réglementations locales n'interdisent ou ne limitent pas l'élagage. L'élagage ne doit être effectué que par des utilisateurs expérimentés. Il y a un risque de retour de chaîne (8) et celle-ci peut se coincer.

Avant l'élagage, tenez compte de toutes les conditions pouvant affecter la direction de la chute, notamment :

- ◆ La longueur et le poids de la branche à élaguer.
- ◆ Toute carie ou défaut important de la structure d'une branche maîtresse.



- ◆ Les arbres environnants et les obstacles, en particulier les lignes aériennes.
- ◆ La vitesse et la direction du vent.
- ◆ Une branche entrelacée dans les autres branches.

L'utilisateur doit vérifier l'accès aux branches et la direction de la chute. La branche peut bouger en direction du tronc de l'arbre. Ceci peut s'avérer dangereux pour les personnes, les objets et les bâtiments sous la branche.

Pour éviter les éclats, faites une première entaille vers le haut à une profondeur maximum d'un tiers du diamètre de la branche. Puis, faites une seconde entaille vers le bas qui croise la première.

### Petits travaux de coupe (figure J)

La façon de couper la bûche dépend de sa position. Si possible, utilisez un chevalet de sciage. Commencez toujours la coupe avec la chaîne (8) en marche et la griffe d'abattage reposant sur le bois. Pour exécuter cette opération, faites pivoter la griffe d'abattage contre le bois.

Lorsqu'elle est soutenue sur toute sa longueur :

- ◆ Faites une entaille vers le bas, mais évitez de toucher le sol pour ne pas émousser la tronçonneuse.

Lorsqu'elle est soutenue aux deux extrémités :

- ◆ Coupez d'abord la bûche vers le bas sur un tiers de sa hauteur pour éviter qu'elle ne se fende. Puis, réalisez une seconde entaille qui rejoindra la première.

Lorsqu'elle est soutenue à une extrémité :

- ◆ Coupez d'abord la bûche sur un tiers de sa hauteur vers le haut pour éviter qu'elle ne se fende. Puis, coupez vers le bas.

Sur un terrain en pente :

- ◆ Faites toujours face à la pente.

Avec un chevalet de sciage (figure J) :

Si possible, il est vivement conseillé d'utiliser un chevalet.

- ◆ Placez la bûche dans une position stable. Coupez toujours à l'extérieur des supports du chevalet de sciage. Utilisez des pinces ou des sangles pour maintenir la bûche.

## Nettoyage, entretien et remisage

Votre outil Black & Decker a été conçu pour fonctionner pendant longtemps avec un minimum d'entretien.

Un fonctionnement continu satisfaisant dépend d'un nettoyage régulier et d'un entretien approprié de l'outil.

Aucun entretien particulier n'est nécessaire pour le chargeur en dehors du nettoyage régulier.

**Attention !** Avant d'entretenir l'outil, retirez la batterie. Débranchez le chargeur avant de le nettoyer.

### Installation du cache-batterie (figure K)

**Attention !** Installez le cache (22) sur la batterie (10) pour le transport et le rangement.

### Après utilisation et avant remisage

Nettoyez régulièrement les orifices de ventilation à l'aide d'une brosse sèche et propre.

Pour nettoyer l'outil, utilisez exclusivement du savon doux et un chiffon humide. Évitez toute pénétration de liquide dans l'outil et ne plongez aucune pièce dans du liquide.

- ◆ Retirez les débris avec une brosse dure.
- ◆ Graissez la chaîne (8) avec de l'huile.

### Affûtage de la chaîne

Pour un rendement maximum, il est important que les dents de la scie soient toujours bien affûtées. Vous trouverez les instructions pour l'affûtage sur le kit d'affûtage. Nous vous recommandons d'acheter le kit d'affûtage de chaîne Black & Decker, disponible auprès des réparateurs Black & Decker (cat. N° A6039).

### Remplacement des chaînes et des guides usés ou endommagés

Il est possible de faire remplacer les chaînes auprès de revendeurs et des réparateurs Black & Decker (pt N° A 6158). Le remplacement des guides ne peut se faire que par un réparateur Black & Decker (pt no 90517720). Pour éviter le risque de blessure, n'utilisez que les chaînes et guides Black & Decker. N'utilisez que des pièces d'origine.

### Affûtage de la chaîne

Les dents de la chaîne s'émousent immédiatement si elles touchent le sol ou un clou pendant la coupe.

### Tension de la chaîne

Vérifiez régulièrement la tension de la chaîne.

### Que faire si votre tronçonneuse doit être réparée ?

Cet outil est conforme aux normes de sécurité en vigueur. Les réparations doivent être effectuées exclusivement par des personnes qualifiées utilisant des pièces de rechange d'origine. Le non respect de cette consigne, peut mettre l'utilisateur en danger. Nous vous conseillons de conserver ce manuel d'utilisateur dans un endroit sûr.

### Rangement

Lorsque l'outil n'est pas utilisé pendant plusieurs mois, laissez si possible la batterie (10) connectée au chargeur.

Sinon, procédez comme suit :

- ◆ Retirez la batterie (10) de l'outil.
- ◆ Chargez complètement la batterie (10).

- ◆ Rangez l'outil et la batterie (10) en lieu sûr et à l'abri de l'humidité. La température de remisage doit toujours être comprise entre + 5 °C et + 40 °C. Placez la batterie (10) sur une surface de niveau.
- ◆ Après une période d'inactivité, rechargez complètement la batterie (10) avant d'utiliser l'outil.

## Protection de l'environnement



Recyclage. Cet appareil ne doit pas être jeté avec les déchets ménagers.

Si votre appareil Black & Decker doit être remplacé ou si vous n'en avez plus l'usage, ne le jetez pas avec les ordures ménagères. Songez à la protection de l'environnement et recyclez-les.



La collecte séparée des produits et des emballages usagés permet de recycler et de réutiliser des matériaux. La réutilisation de matériaux recyclés évite la pollution de l'environnement et réduit la demande de matières premières.

Des réglementations locales peuvent stipuler la collecte séparée des produits électriques et des produits ménagers, dans des déchetteries municipales ou par le revendeur lorsque vous achetez un nouveau produit.

Black & Decker offre une solution permettant de recycler les produits Black & Decker lorsqu'ils ont atteint la fin de leur cycle de vie. Pour pouvoir profiter de ce service, veuillez retourner votre produit à un réparateur agréé qui se chargera de le collecter pour nous.

Pour connaître l'adresse du réparateur agréé le plus proche de chez vous, contactez le bureau Black & Decker à l'adresse indiquée dans ce manuel. Vous pourrez aussi trouver une liste de réparateurs agréés de Black & Decker et de plus amples détails concernant notre service après-vente sur le site Internet : [www.2helpU.com](http://www.2helpU.com).

## Batteries



Les batteries Black & Decker peuvent être rechargées à n'importe quel moment. Quand elles sont hors d'usage, jetez-les en respectant les normes de protection de l'environnement.

- ◆ Déchargez complètement la batterie, puis retirez-la de l'outil.
- ◆ Les batteries NiCd et NiMH sont recyclables. Déposez-les chez un technicien d'entretien agréé ou dans un centre de recyclage local.

## Caractéristiques techniques

	GKC1817 H1	GKC1817P H1	GKC1817NM H1
Tension	V c.c. 18	18	18
Vitesse de la chaîne sans charge	min <sup>-1</sup> 190	190	190
Poids	kg 2	2	2

Batterie	A18	A1718	A18NH
Modèle	GKC1817	GKC1817P	GKC1817NM
Tension	V c.c. 18	18	18
Capacité	Ah 1,5	1,7	1,5
Poids	kg 0,8	0,8	0,8

Chargeur	TPCA-240080*1	TPCA-240080*2	31190*-**	TPCA-180021*1
Modèle	GKC1817, GKC1817P	GKC1817NM	GKC1817, GKC1817P	GKC1817NM
Tension d'entrée	Vca 200-240	200-240	230-240	230-240
Tension de sortie	Vcc 18	18	21,75	21,75
Courant de sortie	mA 800	800	210 / 230	200-240
Durée approximative de charge	h 1	1	8	8
Poids	kg 0,399	0,4	0,365	0,556

Niveau de pression sonore garanti, en fonction de la norme 2000/14/CE :

$L_{pA}$  (pression sonore) 78,6 dB(A), incertitude (K) 3 dB(A)

$L_{WA}$  (puissance sonore) 89,6 dB(A), incertitude (K) 3 dB(A)

$L_{WA}$  (garantie) 90 dB(A)

Le port de protection auditive est obligatoire si la pression sonore dépasse 80 dB (A).

Niveau de vibration main/bras selon la norme EN 60745 : 4 m/sec<sup>2</sup>

## Déclaration de conformité CE

DIRECTIVES DE MACHINERIE



### GKC1817, GKC1817P, GKC1817NM

Black & Decker déclare que les produits décrits sur la fiche technique sont conformes à la norme :  
2006/42/CE, EN60745-1, EN60745-2-13

Pour plus de renseignements, veuillez contacter Black & Decker à l'adresse suivante ou reportez-vous au dos du manuel.

Le soussigné est responsable des données de la fiche technique et fait cette déclaration au nom de Black & Decker

Kevin Hewitt  
Vice-President Global Engineering  
Black & Decker Europe, 210 Bath Road, Slough,  
Berkshire, SL1 3YD  
Royaume-Uni  
12-04-2010

## Garantie

Black & Decker vous assure la qualité de ses produits et vous offre une garantie très étendue. Ce certificat de garantie est un document supplémentaire et ne peut en aucun cas se substituer à vos droits légaux. La garantie est valable sur tout le territoire des États Membres de l'Union Européenne et de la Zone de Libre Échange Européenne.

Si un produit Black & Decker s'avère défectueux en raison de matériaux en mauvaises conditions, d'une erreur humaine, ou d'un manque de conformité dans les 24 mois suivant la date d'achat, Black & Decker garantit le remplacement des pièces défectueuses, la réparation des produits usés ou cassés ou remplace ces produits à la convenance du client, sauf dans les circonstances suivantes :

- ◆ Le produit a été utilisé dans un but commercial, professionnel, ou a été loué.
- ◆ Le produit a été mal utilisé ou avec négligence.
- ◆ Le produit a subi des dommages à cause de corps étrangers, de substances ou d'accidents.
- ◆ Des réparations ont été tentées par des techniciens ne faisant pas partie du service technique de Black & Decker.

Pour avoir recours à la garantie, il est nécessaire de fournir une preuve d'achat au vendeur ou à un réparateur agréé. Pour connaître l'adresse du réparateur agréé le plus proche de chez vous, contactez le bureau Black & Decker à l'adresse indiquée dans ce manuel. Vous pourrez aussi trouver une liste de réparateurs agréés de Black & Decker et de plus amples détails concernant notre service après-vente sur le site Internet : [www.2helpU.com](http://www.2helpU.com)

Visitez notre site Web [www.blackanddecker.co.fr](http://www.blackanddecker.co.fr) pour enregistrer votre nouveau produit Black & Decker et être informé des nouveaux produits et des offres spéciales. Pour plus d'informations concernant la marque Black & Decker et notre gamme de produits, consultez notre site [www.blackanddecker.co.fr](http://www.blackanddecker.co.fr).

## Usò previsto

La motosega compatta Black & Decker è stata progettata per potare e tagliare ceppi di medie dimensioni.

L'elettrotensile è stato progettato per un uso individuale.

## Istruzioni di sicurezza

### Avvisi di sicurezza generici per gli elettrotensili



**Attenzione! Leggere tutti gli avvisi di sicurezza e tutte le istruzioni.** La mancata osservanza di tutte le istruzioni potrebbe causare scosse elettriche, incendi e/o infortuni gravi.

### Conservare tutte le istruzioni e gli avvisi per futura consultazione.

Il termine "elettrotensile" che ricorre in tutte le avvertenze seguenti si riferisce ad utensili elettrici con o senza filo.

1. **Sicurezza nella zona di lavoro**
  - a. **Mantenere pulita e bene illuminata la zona di lavoro.**  
Il disordine e la scarsa illuminazione possono causare incidenti.
  - b. **Evitare d'impiegare gli elettrotensili in ambienti esposti al rischio di esplosione, ad esempio in presenza di liquidi, gas o polveri infiammabili.**  
Gli elettrotensili producono scintille che possono far infiammarsi la polvere o i fumi.
  - c. **Mantenere lontani bambini ed astanti mentre si usa l'elettrotensile.** Eventuali distrazioni possono comportare la perdita del controllo dell'elettrotensile.
2. **Sicurezza elettrica**
  - a. **Le spine elettriche degli elettrotensili devono essere adatte alla presa. Evitare assolutamente di modificare la spina. Non usare adattatori con elettrotensili provvisti di messa a terra.** L'uso di spine inalterate e delle prese corrispondenti riduce il rischio di scosse elettriche.
  - b. **Evitare il contatto fisico con superfici collegate a terra, come tubi, radiatori, forni e frigoriferi.**  
Un corpo collegato a terra è esposto maggiormente al rischio di scosse elettriche.
  - c. **Custodire gli elettrotensili al riparo dalla pioggia o dall'umidità.** L'eventuale infiltrazione di acqua in un elettrotensile va ad aumentare il rischio di scosse elettriche.
  - d. **Non esporre il cavo a sollecitazioni. Non usare il cavo per trasportare o trainare l'elettrotensile e non tirarlo per estrarre la spina dalla presa di corrente. Mantenere il cavo al riparo dal calore, da bordi taglienti e/o da parti in movimento.** I cavi danneggiati o aggrovigliati aumentano il rischio di scosse elettriche.
  - e. **Se l'elettrotensile viene adoperato all'aperto, usare esclusivamente prolunghie omologate per l'impiego all'esterno.** Un cavo adatto per uso esterno riduce il rischio di scosse elettriche.
  - f. **Se non è possibile evitare di lavorare in una zona umida, usare un'alimentazione elettrica protetta da un dispositivo a corrente residua (RCD).** L'uso di un dispositivo RCD riduce il rischio di scosse elettriche.
3. **Sicurezza delle persone**
  - a. **È importante concentrarsi su ciò che si sta facendo e maneggiare con giudizio l'elettrotensile. Non adoperare l'elettrotensile se si è stanchi o sotto l'effetto di stupefacenti, alcol o medicinali.** Un attimo di distrazione durante l'uso dell'elettrotensile può causare gravi infortuni personali.
  - b. **Utilizzare un equipaggiamento di protezione personale. Indossare sempre degli occhiali di sicurezza.** Se si avrà cura d'indossare l'equipaggiamento protettivo come necessario, ad esempio una maschera antipolvere, delle calzature antiscivolo, un casco o delle otoprotezioni, si riduce il rischio di infortuni.
  - c. **Impedire l'avviamento involontario. Accertarsi che l'interruttore di accensione sia regolato su spento prima di collegare l'elettrotensile all'alimentazione elettrica e/o al battery pack, di prenderlo in mano o di trasportarlo.** Per non esporsi al rischio di incidenti, non trasportare gli elettrotensili tenendo le dita sull'interruttore oppure, se sono collegati a un'alimentazione elettrica, con l'interruttore acceso.
  - d. **Prima di accendere un elettrotensile, togliere eventuali chiavi o attrezzi di regolazione.** Un attrezzo o una chiave lasciati in un componente mobile dell'elettrotensile possono causare lesioni.
  - e. **Non sporgersi. Mantenere sempre un buon equilibrio evitando posizioni malsicure.** In questo modo è possibile controllare meglio l'elettrotensile in situazioni inaspettate.
  - f. **Vestirsi adeguatamente. Evitare di indossare indumenti larghi o gioielli. Tenere capelli, vestiti e guanti lontani da pezzi in movimento.** Vestiti larghi, gioielli o capelli lunghi possono impigliarsi nelle parti in movimento.
  - g. **Se gli elettrotensili sono provvisti di attacchi per il collegamento di dispositivi di aspirazione o di raccolta della polvere, assicurarsi che questi siano installati e utilizzati correttamente.** L'impiego di tali dispositivi può ridurre i rischi correlati alle polveri.

- 4. Uso e cura degli elettroutensili**
- a. Non sovraccaricare l'elettroutensile. Usare l'elettroutensile adatto per il lavoro da eseguire.** Utilizzando l'elettroutensile adatto si potrà lavorare meglio e con maggiore sicurezza alla potenza nominale prevista.
- b. Non utilizzare elettroutensili con interruttori difettosi.** Un elettroutensile che non può essere controllato mediante l'interruttore è pericoloso e deve essere riparato.
- c. Scollegare la spina dalla presa di corrente e/o il battery pack dall'elettroutensile prima di regolarlo o di ripararlo oppure di sostituire gli accessori.** Queste precauzioni di sicurezza riducono la possibilità che l'elettroutensile venga messo in funzione inavvertitamente.
- d. Quando non vengono usati, gli elettroutensili devono essere custoditi fuori della portata dei bambini. Non consentire l'uso dell'elettroutensile a persone inesperte o che non abbiano letto le presenti istruzioni.** Gli elettroutensili risultano pericolosi se usati da persone inesperte.
- e. Sottoporre gli elettroutensili alle necessarie procedure di manutenzione. Verificare che le parti mobili siano bene allineate e non inceppate, che non vi siano componenti rotti e che non sussistano altre condizioni che possano compromettere il funzionamento dell'elettroutensile. In caso di danni, riparare l'elettroutensile prima dell'uso.** La scarsa manutenzione causa molti incidenti.
- f. Mantenere affilati e puliti gli utensili da taglio.** Se sottoposti alla giusta manutenzione, gli utensili da taglio con taglienti affilati s'inceppano meno frequentemente e sono più facili da manovrare.
- g. Utilizzare l'elettroutensile, gli accessori e le punte in conformità delle presenti istruzioni, tenendo conto delle condizioni di lavoro e del lavoro da completare.** L'impiego degli elettroutensili per usi diversi da quelli consentiti può dar luogo a situazioni pericolose.
- 5. Uso e cura degli elettroutensili a batteria**
- a. Ricaricare solo usando l'alimentatore prescritto dal fabbricante.** Un alimentatore idoneo a un determinato battery pack potrebbe essere causa di incendio se usato con un battery pack diverso.
- b. Usare gli elettroutensili con gli appositi battery pack.** L'impiego di battery pack di altro tipo potrebbe creare il rischio di lesioni e di incendi.
- c. Quando il battery pack non viene usato, tenerlo lontano da altri oggetti metallici, tipo graffette, monete, chiavi, chiodi, viti o altri oggetti metallici di piccole dimensioni, che potrebbero collegare un morsetto all'altro.** Se i morsetti della batteria vengono cortocircuitati si potrebbero causare ustioni o un incendio.
- d. A seguito di un uso improprio, la batteria potrebbe espellere del liquido; evitare ogni contatto. In caso di contatto accidentale, lavare con acqua. Se il liquido viene a contatto degli occhi, rivolgersi anche a un medico.** Il liquido espulso dalla batteria potrebbe causare irritazioni o ustioni.
- 6. Riparazioni**
- a. Fare riparare l'elettroutensile solo ed esclusivamente da personale specializzato e solo impiegando pezzi di ricambio originali, onde non alterarne la sicurezza.**

#### Altri avvisi di sicurezza per gli elettroutensili



**Attenzione!** Altri avvisi di sicurezza per le motoseghe compatte.

- L'uso previsto è descritto nel presente manuale d'uso. Non usare l'elettroutensile per lavori diversi da quelli di progetto; non usarlo per abbattere alberi. Se questo elettroutensile viene usato con accessori o per usi diversi da quelli raccomandati nel presente manuale d'uso, si potrebbero verificare lesioni personali.
- ◆ Indossare indumenti aderenti e protettivi, compreso un casco di sicurezza con visiera/occhiali, otoprotezioni, calzature antiscivolo, calzoncini antitaglio e guanti di cuoio robusti.
  - ◆ L'operatore deve sempre posizionarsi al riparo dalla traiettoria di caduta dei rami.
  - ◆ La distanza di sicurezza tra un ramo da abbattere e gli osservatori, eventuali edifici e altri oggetti, è pari ad almeno due volte e mezzo la lunghezza del ramo stesso. Eventuali osservatori, edifici o oggetti entro tale distanza rischiano di essere colpiti dal ramo in caduta.
  - ◆ Mettere a punto un programma di sicurezza che consenta di allontanarsi dai rami che stanno per essere abbattuti. Assicurarsi che il percorso di fuga sia libero da ostacoli che possono impedire o intralciare il movimento. Ricordare che l'erba umida e la corteccia appena tagliata sono scivolose.
  - ◆ Assicurarsi che nelle vicinanze (ma a distanza di sicurezza) sia sempre disponibile qualcuno che possa intervenire in caso di incidente.

- ◆ Non usare l'elettrotensile mentre ci si trova su un albero, su una scala o su qualsiasi altra superficie poco stabile.
  - ◆ Mantenere sempre un buon equilibrio evitando posizioni malsicure.
  - ◆ Tenere saldamente l'elettrotensile con ambedue le mani quando il motore è in funzione.
  - ◆ Prestare attenzione che la catena in movimento non tocchi alcun oggetto in prossimità della punta della barra di guida.
  - ◆ Iniziare un taglio solo con la catena alla massima velocità.
  - ◆ Non tentare di inserirsi in un taglio precedente. Eseguire sempre un nuovo taglio.
  - ◆ Prestare attenzione allo spostamento di rami e ad altre forze che possono chiudere il taglio e bloccare o rallentare la catena.
  - ◆ Non tentare di tagliare un ramo il cui diametro è superiore alla lunghezza di taglio dell'elettrotensile.
  - ◆ Estrarre sempre la batteria dell'elettrotensile e infilare il copri catena sulla catena quando si ripone o si trasporta l'elettrotensile.
  - ◆ La catena deve sempre essere affilata e ben tesa. Controllare la tensione a intervalli regolari.
  - ◆ Spegnerne l'elettrotensile, lasciare che la catena si fermi ed estrarre la batteria dall'elettrotensile prima di eseguire regolazioni o interventi di manutenzione o riparazione.
  - ◆ Usare esclusivamente ricambi e accessori originali.
- ◆ **Tenere saldamente la motosega afferrando le impugnature con i pollici e le dita. Afferrando la motosega con entrambe le mani, posizionare il corpo e il braccio in modo da far fronte ad eventuali contraccolpi.** L'operatore è in grado di resistere alla forza esercitata da eventuali contraccolpi se adotta le misure del caso. Non lasciare andare la motosega.
  - ◆ **Non sbilanciarsi e non tagliare oltre l'altezza della spalla.** In questo modo si evita il contatto involontario con la punta e si mantiene un miglior controllo della motosega in situazioni impreviste.
  - ◆ **Utilizzare solamente le barre di guida e le catene di ricambio indicate dal produttore.** L'errata sostituzione delle barre di guida e delle catene può causare la rottura della catena e/o contraccolpi.
  - ◆ **Rispettare le istruzioni di affilatura e di manutenzione della catena della motosega date dal fabbricante.** La diminuzione dell'altezza del calibro di profondità aumenta la possibilità di contraccolpi.

#### Consigli di sicurezza per la motosega

- ◆ Consigliamo vivamente a chi la usa per la prima volta, di farsi dare dei consigli pratici da un esperto sia per l'uso della motosega sia dell'equipaggiamento protettivo. Completare questa lezione pratica segnando ceppi su di un cavalletto o su di un'intelaiatura di sostegno.
- ◆ Durante il trasporto della motosega consigliamo di verificare che il freno sia innestato.
- ◆ Quando non viene adoperata, la motosega deve essere sottoposta alla necessaria manutenzione. Non riporre mai la motosega per un certo periodo di tempo, senza averne rimosso la catena e la barra di guida che devono essere conservate in un bagno d'olio. Tutti i componenti della motosega devono essere riposti in luogo sicuro e asciutto, fuori dalla portata dei bambini.
- ◆ Consigliamo di scaricare il serbatoio dell'olio prima di riporre l'elettrotensile.
- ◆ Tenersi ben saldi sui piedi e preprogrammare una via di fuga in caso di caduta di rami o dell'albero.
- ◆ Fare uso di cunei per agevolare il controllo dell'abbattimento ed evitare che la catena e la barra di guida si blocchino nel taglio.
- ◆ Manutenzione della catena della motosega. La catena deve essere sempre affilata e bene aderente alla barra di guida. Verificare che catena e barra di guida siano pulite e perfettamente lubrificate. Mantenere le impugnature pulite e prive di tracce di olio o grassi.

#### Possibili cause e accorgimenti per impedire un contraccolpo

I contraccolpi possono verificarsi quando la punta della barra di guida tocca un oggetto o quando il legno tagliato si richiude e incastra la catena della motosega nel taglio.

A volte il contatto con la punta può causare una reazione inversa improvvisa, spingendo la barra di guida verso l'alto e indietro verso l'operatore.

Se la catena della motosega rimane incastrata lungo la parte superiore della barra di guida, è possibile che la barra venga spinta indietro velocemente contro l'operatore.

Entrambe queste reazioni possono causare la perdita di controllo della motosega con la probabilità di pericolose lesioni personali. Non fare affidamento esclusivamente sui dispositivi di sicurezza incorporati nella motosega. Ricade sull'operatore della motosega la responsabilità di eseguire dei lavori di taglio che non causino incidenti o lesioni.

Un contraccolpo è la conseguenza di un utilizzo non appropriato oppure non corretto dell'elettrotensile. Esso può essere evitato soltanto adottando le misure di sicurezza idonee come descritto di seguito:

I contraccolpi possono essere causati da:

- ◆ Contatto accidentale contro rami o altri oggetti colpiti da una punta della catena quando la sega è in moto.
- ◆ Contatto con metallo, cemento o altri materiali duri che si trovano in prossimità del legno o al suo interno.
- ◆ Catena smussata o lenta.
- ◆ Taglio al di sopra dell'altezza della spalla.
- ◆ Disattenzione mentre si sorregge o si manovra la motosega durante il taglio.
- ◆ Ci si sporge eccessivamente. Mantenersi sempre saldi sui piedi e bene equilibrati, evitando di sporgersi.
- ◆ Non cercare di inserire la sega in un taglio praticato in precedenza, dato che potrebbe causare un contraccolpo. Praticare un nuovo taglio ogni volta.
- ◆ Si suggerisce vivamente di non tentare di utilizzare la motosega mentre si è su un albero, una scala o qualsiasi altra superficie poco stabile. Se si dovesse decidere di farlo comunque, ricordare che queste posizioni sono estremamente pericolose.
- ◆ Quando si taglia un ramo che è sotto tensione, prepararsi per il contraccolpo, in modo da non essere colpiti quando tale tensione viene eliminata.

Evitare di tagliare:

- ◆ Legname preparato.
- ◆ Il terreno.
- ◆ Recinzioni metalliche, chiodi, ecc.
- ◆ Piccoli cespugli e giovani pertiche perché la catena della sega può incepparsi nel materiale sottile e schizzare verso l'operatore oppure fargli perdere l'equilibrio.
- ◆ Non utilizzare la motosega sostenendola oltre l'altezza della spalla.
- ◆ Assicurarsi che nelle vicinanze (ma a distanza di sicurezza) sia sempre disponibile qualcuno che possa intervenire in caso di incidente.
- ◆ Se, per qualsiasi motivo, è necessario toccare la catena, accertare che la motosega non sia collegata all'alimentazione elettrica.
- ◆ La rumorosità della motosega può superare 80 dB(A). Si suggerisce, quindi, di adottare le misure del caso per proteggere l'udito.

### Sicurezza altrui

- ◆ Questo elettrodomestico non è stato progettato per impiego da parte di persone (o bambini) portatrici di handicap fisici, psichici o sensoriali o che non abbiano la dovuta esperienza o conoscenza, a meno che non siano seguite o opportunamente istruite sul suo utilizzo da parte di una persona responsabile della loro sicurezza.

- ◆ Controllare che i bambini non giochino con l'elettrodomestico.

### Vibrazioni

I valori dichiarati delle emissioni di vibrazioni al paragrafo Dati tecnici e Dichiarazione di conformità del presente manuale, sono stati misurati in base al metodo di test standard previsto dalla normativa EN 60745 e possono essere usati come paragone tra un attrezzo e un altro. Il valore delle emissioni di vibrazioni dichiarato può anche essere usato come valutazione preliminare dell'esposizione.

**Attenzione!** Il valore delle emissioni di vibrazioni durante l'impiego effettivo dell'elettrodomestico può variare da quello dichiarato a seconda di come l'elettrodomestico viene usato. Il livello delle vibrazioni può aumentare oltre il livello dichiarato.

- ◆ Quando si valuta l'esposizione alle vibrazioni per determinare le misure di sicurezza richieste, in conformità alla normativa 2002/44/CE e per proteggere le persone che usano regolarmente gli elettrodomestici ai fini delle mansioni svolte, è necessario prendere in considerazione le condizioni effettive di utilizzo e il modo in cui l'elettrodomestico è usato, oltre a tenere in conto tutte le componenti del ciclo operativo, vale a dire i periodi in cui l'elettrodomestico è spento, quando è acceso, ma a riposo, e quando è effettivamente utilizzato.

### Simboli di avviso

Sull'elettrodomestico sono presenti i seguenti simboli di avviso:



**Attenzione!** Per ridurre il rischio di lesioni, l'utente deve leggere il manuale d'uso.



Non utilizzare la sega in presenza di forte umidità o sotto la pioggia.



Indossare sempre delle otoprotezioni.



Indossare sempre degli occhiali di sicurezza.



Indossare sempre scarpe di sicurezza antiscivolo.



Fare attenzione alla caduta di oggetti.



Mantenere distanti eventuali osservatori.





Per garantire sempre un funzionamento sicuro, controllare la tensione della catena come descritto nel presente manuale dopo ogni 10 minuti di utilizzo e regolarla di nuovo su un gioco di 3 mm quando richiesto. Lubrificare la catena ogni 10 minuti di utilizzo.



Direzione di rotazione della catena.



Onde garantire un funzionamento sicuro, la catena e la barra di guida devono essere sostituite solo con ricambi originali Black & Decker. Numero di parte della catena di ricambio: A6158; numero di parte della barra di guida: 90517720.

### Istruzioni di sicurezza aggiuntive per batterie e alimentatori

#### Batterie

- ◆ Non tentare di aprirle per qualsiasi ragione.
- ◆ Non lasciare che la batteria si bagni.
- ◆ Non esporre la batteria al calore.
- ◆ Non riporre in luoghi dove la temperatura potrebbe superare i 40°C.
- ◆ Caricare solo a temperature ambiente tra 10°C e 40°C.
- ◆ Caricare solo usando l'alimentatore fornito con l'apparecchio/elettrodomestico. L'utilizzo dell'alimentatore sbagliato potrebbe causare scosse elettriche o il surriscaldamento della batteria.
- ◆ Quando si smaltiscono le batterie, seguire le istruzioni riportate al capitolo "Protezione dell'ambiente".
- ◆ Non danneggiare/deformare il battery pack forandolo o colpendolo per evitare il rischio di lesioni o di incendio.
- ◆ Non caricare le batterie danneggiate.
- ◆ In condizioni estreme, si potrebbe verificare la perdita di liquido dalle batterie. Se si nota la presenza di liquido sulle batterie, pulirle con attenzione con uno straccio. Evitare il contatto con l'epidermide.
- ◆ In caso di contatto con l'epidermide o gli occhi, seguire le istruzioni riportate di seguito.

**Attenzione!** Il liquido della batteria può causare lesioni alle persone o danni alle cose. In caso di contatto con la pelle, risciacquare immediatamente con acqua. In caso di rossore, dolore o irritazione, rivolgersi immediatamente a un medico. In caso di contatto con gli occhi, risciacquarli immediatamente con acqua pulita e consultare un medico.

#### Alimentatori

L'alimentatore è stato progettato per una tensione specifica. Controllare sempre che la tensione di rete corrisponda alla tensione indicata sulla targhetta dei dati tecnici.

**Attenzione!** Non tentare mai di sostituire l'alimentatore con una normale spina elettrica.

- ◆ Usare l'alimentatore Black & Decker solo per caricare la batteria nell'apparecchio/elettrodomestico con il quale è stato fornito. Altre batterie potrebbero scoppiare causando lesioni alle persone e danni.
- ◆ Non tentare mai di caricare batterie non ricaricabili.
- ◆ In caso di danneggiamento del filo di alimentazione, è necessario farlo riparare dal fabbricante o presso un centro assistenza Black & Decker autorizzato in modo da evitare eventuali pericoli.
- ◆ Non lasciare che l'alimentatore si bagni.
- ◆ Non aprire l'alimentatore.
- ◆ Non collegare l'alimentatore a sonde.
- ◆ L'apparecchio/elettrodomestico/batteria devono essere lasciati in una zona ben ventilata durante la carica.
- ◆

#### Etichette sull'alimentatore

Sull'alimentatore sono presenti i seguenti simboli:



Prima di adoperare l'elettrodomestico, leggere attentamente le istruzioni del presente manuale.



L'alimentatore si spegne automaticamente se la temperatura ambiente aumenta eccessivamente. Di conseguenza l'alimentatore diventa inutilizzabile. In questi casi la base di carica deve essere scollegata dall'alimentazione di rete e portata presso un centro di assistenza autorizzato per le necessarie riparazioni.



Caricare solo a temperature ambiente tra 10°C e 40°C.



La base di ricarica può solo essere usata all'interno.



Il doppio isolamento di cui è provvisto l'alimentatore rende superfluo il filo di terra. Controllare sempre che la tensione di rete corrisponda alla tensione indicata sulla targhetta dei dati tecnici.

## Sicurezza elettrica



Il doppio isolamento di cui è provvisto l'alimentatore rende superfluo il filo di terra. Controllare sempre che la tensione di rete corrisponda alla tensione indicata sulla targhetta dei dati tecnici.

In caso di danneggiamento del filo di alimentazione, è necessario farlo riparare dal fabbricante o presso un centro assistenza Black & Decker autorizzato in modo da evitare eventuali pericoli.

**Attenzione!** Non tentare mai di sostituire l'alimentatore con una normale spina elettrica.

## Caratteristiche

1. Interruttore di accensione
2. Pulsante di sblocco
3. Tappo dell'olio
4. Serbatoio dell'olio
5. Protezione anteriore
6. Copertura di protezione della catena
7. Vite di regolazione della tensione per la catena
8. Catena
9. Barra di guida
10. Batteria
11. Guaina della catena
12. Base del caricabatteria
13. Caricabatteria

## Assemblaggio

**Attenzione!** Prima dell'assemblaggio, estrarre la batteria (10) dall'elettro utensile.

### Montaggio e rimozione della batteria (fig. A)

- ◆ Per montare la batteria (10), allinearla all'apposito vano sull'elettro utensile. Infilare la batteria (10) nell'apposito vano e calzarla fino a quando si aggancia in sede.
- ◆ Per estrarre la batteria (10), premere il pulsante di rilascio (24) estraendo al tempo stesso la batteria (10) dall'apposito vano.

**Attenzione!** Per evitare l'azionamento involontario, accertarsi di aver estratto la batteria e di aver montato la guaina (11) sulla catena (8) prima di eseguire gli interventi descritti di seguito. In caso contrario si potrebbero causare lesioni gravi.

### Caricamento della batteria (fig. B & C)

È necessario caricare la batteria prima del primo utilizzo e ogniqualvolta che non eroghi la sufficiente energia per eseguire un lavoro che prima veniva eseguito con facilità. Quando si carica la batteria per la prima volta, o dopo un lungo periodo d'inattività, accetterà soltanto l'80% della sua capacità. Dopo diversi cicli di carica e scarica la batteria raggiunge la sua piena capacità. La batteria si può riscaldare durante il processo di carica; è normale e non è indicativo di nessun problema.

**Attenzione!** Non caricare la batteria ad una temperatura ambiente inferiore ai 10°C o superiore ai 40°C. La temperatura di carica consigliata è di circa 24°C.

### Caricabatteria da 8 ore (fig. B)

- ◆ Per caricare la batteria (10), toglierla dall'elettro utensile e collegarla al caricabatteria (12).
- ◆ Inserire la spina del caricabatteria nella presa (13). La batteria (10) sarà completamente carica dopo circa 8 ore. Può essere tolta dal caricabatteria in qualunque momento o rimanervi per tempo indefinito.

### Caricabatteria da 1 ora (fig. C)

- ◆ Per caricare la batteria (10), rimuoverla dall'utensile ed inserirla nel caricatore (23). La batteria s'inserisce in un solo verso nel caricabatteria. Assicuratevi che la batteria sia perfettamente inserita nel caricabatteria.
- ◆ Inserite la spina del caricabatteria.

Controllare se la spia rossa della carica s'illumina. Se, invece, s'illumina la spia verde di fine carica, significa che la batteria è troppo calda e non può essere caricata. In questo caso, togliere la batteria dal caricabatteria, farla raffreddare per circa 1 ora e poi reinserirla nel caricabatteria.

Dopo circa 1 ora di carica, la spia rossa di carica si spegne e s'illumina la spia verde di fine carica. A questo punto la batteria è completamente carica.

- ◆ Togliere la batteria dal caricabatteria.

### Montaggio e rimozione della catena (figg. D - F e H)



Indossare sempre guanti protettivi quando si monta o si rimuove la catena (8). La catena è affilata e può tagliare le mani anche da ferma.

- ◆ Appoggiare l'elettro utensile su una superficie stabile e rigida.
- ◆ Allentare le 2 viti Allen (14) usando la chiave Allen (21) fornita. Svitare le viti Allen (14)
- ◆ Togliere i copri catena (6).

- ◆ Ruotare la vite di regolazione della tensione della catena (7) in senso antiorario per permettere alla barra di guida (9) di retrocedere e di ridurre la tensione sulla catena (8).
- ◆ Estrarre la vecchia catena (8) dal rocchetto dentato (15) e dalla barra di guida (9).
- ◆ Infilare la nuova catena (8) nella gola nella barra di guida (9) e attorno al rocchetto dentato (15). Accertarsi che i denti siano rivolto nella direzione corretta abbinando la freccia sulla catena (8) con quella sul copri catena (6).
- ◆ Accertarsi che la fessura (17) nella barra di guida (9) sia sopra alle spine di centraggio (18) e che il foro (20) sotto alla fessura sia situato sopra alla spina di regolazione (19).
- ◆ Montare il copri catena (6) e serrare le 2 viti Allen (14).
- ◆ Serrare le viti Allen (14) utilizzando la chiave Allen (21) fornita.
- ◆ Regolare la tensione della catena come descritto di seguito.

#### Controllo e regolazione della tensione della catena (figg. D ed F)

- ◆ Controllare la tensione della catena della sega. La tensione è corretta quando la catena della sega (8) si tende di nuovo dopo essere stata allontanata di 3 mm dalla barra di guida (9) con una leggera pressione dell'indice e del pollice. Non devono esservi cedimenti sul lato inferiore tra la barra di guida della catena (9) e la catena (8).

Regolazione della tensione:

- ◆ Allentare le 2 viti Allen (14).
- ◆ Ruotare in senso orario la vite di regolazione della tensione della catena (7).

**Attenzione!** Non tendere eccessivamente la catena: ciò causa un logorio eccessivo e abbrevia la vita della barra di guida e della catena stessa.

- ◆ Quando la tensione della catena è corretta, serrare le 2 viti Allen (14).

**Attenzione!** Quando la catena della sega è nuova, controllarne la tensione frequentemente nel corso delle due prime ore di impiego, dato che le catene nuove "cedono" leggermente.

#### Riempimento del serbatoio dell'olio (fig. H)

- ◆ Togliere il tappo (3) dal serbatoio dell'olio (4) e rabboccare con l'olio per catene suggerito. È possibile vedere il livello dell'olio nel serbatoio (4). Rimettere il tappo del serbatoio dell'olio (3).

- ◆ Spegnerne periodicamente e controllare il livello dell'olio; se ne rimane meno di un quarto, estrarre la batteria (10) dall'elettrotensile e rabboccare il serbatoio con l'olio corretto.

#### Lubrificazione della catena (fig. H)

La catena della sega (8) deve essere oliata prima di ciascun impiego e dopo la pulitura usando solo olio di tipo corretto (n. cat. A6027).

- ◆ Lubrificare la catena della sega (8) premendo due volte il bulbo sul tappo dell'olio (3) prima di eseguire ciascun taglio, tenendo premuto il bulbo per 3-4 secondi.

#### Rischi residui

Altri rischi residui che possono sorgere durante l'impiego dell'elettrotensile e che possono non essere stati contemplati dagli allegati avvisi di sicurezza. Tali rischi possono sorgere a seguito di un uso prolungato o improprio, ecc.

Perfino adottando gli appositi regolamenti di sicurezza e utilizzando i dispositivi di sicurezza, certi rischi residui non possono essere evitati. Essi comprendono:

- ◆ Lesioni causate o subite a seguito del contatto con parti rotanti/in movimento.
- ◆ Lesioni causate o subite durante la sostituzione di parti, lame o accessori.
- ◆ Lesioni causate dall'impiego prolungato di un elettrotensile. Quando si usa qualsiasi elettrotensile per lunghi periodi, accertarsi di fare regolarmente delle pause.
- ◆ Problemi di udito.
- ◆ Rischi per la salute causati dall'aspirazione di polvere generata dall'utilizzo dell'elettrotensile (ad esempio quando si lavora con il legno, in modo particolare quello di quercia, faggio o l'MDF).

#### Utilizzo

##### Accensione e spegnimento (fig. H)

**Attenzione!** Lasciare che l'elettrotensile funzioni al suo ritmo. Non sovraccaricarlo.

Per la sicurezza dell'operatore, questo elettrotensile è dotato di un sistema a doppio interruttore. Tale sistema impedisce l'avvio involontario dell'elettrotensile.

##### Accensione

- ◆ Premere contemporaneamente il pulsante di sicurezza (2) e l'interruttore di accensione (1).
- ◆ Rilasciare il pulsante di sicurezza (2).

##### Spegnimento

- ◆ Rilasciare l'interruttore di accensione (1).

**Attenzione!** Non tentare mai di bloccare un interruttore su acceso.

### Potatura degli alberi (fig. I)

Assicurarsi che le leggi e i regolamenti locali non proibiscano o controllino la potatura di rami. La potatura deve essere praticata solo da operatori esperti dato che vi è un maggior rischio di inceppamento della catena della sega (8) e di contraccolpi.

Prima di eseguire la potatura, prendere in considerazione le condizioni prevalenti che potrebbero influire sulla direzione di caduta.

- ◆ Lunghezza e peso del ramo da tagliare.
- ◆ L'eventuale peso insolito del ramo e la possibilità che sia secco o marcio.
- ◆ Gli alberi e gli ostacoli circostanti, comprese le linee elettriche aeree.
- ◆ La velocità e direzione del vento.
- ◆ Il fatto che il ramo sia intrecciato con altri rami.

L'operatore deve inoltre considerare come raggiungere il ramo e l'eventuale direzione di caduta. È probabile che il ramo oscilli verso il tronco. Sono infatti a rischio non solo l'operatore e gli astanti, ma anche oggetti e cose.

Per evitare la scheggiatura, il primo taglio viene eseguito verso l'alto a una profondità massima pari a un terzo del diametro del ramo. Il secondo taglio viene eseguito verso il basso in modo da intersecarsi con il primo.

### Taglio di ceppi di medie dimensioni (fig. J)

La procedura di taglio dipende dal sostegno che regge il ceppo. Quando possibile, fare uso di un cavalletto. Iniziare sempre il taglio con la motosega (8) accesa e la barra paraurti dentata a contatto del legno. Per completare il taglio ricorrere all'azione rotante della barra paraurti dentata contro il legno.

Ceppi sostenuti per l'intera lunghezza:

- ◆ Praticare un taglio verso il basso, evitando di toccare il suolo per non smussare la lama della motosega.

Ceppi sostenuti alle estremità:

- ◆ In primo luogo tagliare un terzo di diametro in basso, per evitare scheggiature, e poi tagliare di nuovo fino a raggiungere il primo intaglio.

Ceppi sostenuti a un'estremità:

- ◆ In primo luogo tagliare un terzo di diametro in alto e poi tagliare in basso per evitare scheggiature.

Taglio su un pendio:

- ◆ Restare sempre sul lato alto del pendio.

Uso di un cavalletto (fig. J):

Si suggerisce vivamente di adoperare un cavalletto quando possibile.

- ◆ Collocare il ceppo in posizione stabile. Tagliare sempre all'esterno dei bracci del cavalletto. Usare morse o fasce per fissare il pezzo da tagliare.

### Pulitura, manutenzione e conservazione

Questo elettrotensile Black & Decker è stato progettato per funzionare a lungo con una manutenzione minima.

Per ottenere prestazioni sempre soddisfacenti occorre avere cura dell'elettrotensile e sottoporlo a manutenzione periodica.

L'alimentatore non richiede nessuna manutenzione salvo una regolare pulizia.

**Attenzione!** Prima di eseguire interventi di manutenzione sull'elettrotensile, estrarre la batteria. Scollegare l'alimentatore dalla spina prima di pulirlo.

### Montaggio del coperchio sulla batteria (fig. K)

**Attenzione!** Montare il coperchio (22) sulla batteria (10) quando deve essere trasportata o riposta.

### Dopo l'impiego e prima di riporre l'elettrotensile

Pulire regolarmente le feritoie di ventilazione con un pennello pulito e asciutto.

Per pulire l'elettrotensile, utilizzare solamente sapone neutro e un panno umido. Evitare la penetrazione di liquidi all'interno dell'elettrotensile e non immergere mai nessuna parte dello stesso in un liquido.

- ◆ Eliminare i trucioli con una spazzola rigida.
- ◆ Lubrificare la catena (8) con olio.

### Affilatura della catena

Per ottenere prestazioni ottimali, è importante mantenere affilati i denti della catena della motosega. Le istruzioni su come eseguire questa procedura sono riportate sulla confezione dell'affilatoio. A questo scopo si suggerisce di acquistare un kit di affilatura catene Black & Decker, disponibile presso i centri di assistenza autorizzati Black & Decker (n. cat. A6039).

### Sostituzione delle catene e delle barre di guida della sega usurate o danneggiate

Le catene della sega di ricambio sono disponibili presso i rivenditori o i centri di assistenza Black & Decker (n. di parte A6158); le barre di guida sono disponibili solo presso i centri di assistenza Black & Decker (n. di parte 90517720). Per evitare il rischio di lesioni, usare solo catene e barre di guida originali Black & Decker. Utilizzare esclusivamente pezzi di ricambio originali.

### Filo della catena

I taglienti della catena della sega perdono immediatamente il filo se toccano il terreno o un chiodo durante il taglio.

## Tensione della catena della sega

Controllare regolarmente la tensione della catena della sega.

## Riparazione della motosega.

Il presente elettrotensile è conforme ai requisiti di sicurezza in vigore. Le riparazioni devono essere affidate esclusivamente a personale qualificato ed eseguite solo con pezzi di ricambio originali, per evitare di esporre gli operatori a considerevoli rischi. Consigliamo di conservare il presente manuale d'uso in un luogo sicuro.

## Conservazione

Se l'elettrotensile non deve essere usato per parecchi mesi, si consiglia di lasciare la batteria (10) collegata all'alimentatore.

Altrimenti eseguire gli interventi descritti di seguito.

- ◆ Estrarre la batteria (10) dall'elettrotensile.
- ◆ Caricare completamente la batteria (10).
- ◆ Conservare l'elettrotensile e la batteria (10) in un posto sicuro e asciutto. La temperatura di conservazione deve rimanere sempre nell'intervallo tra + 5°C e + 40°C. Appoggiare la batteria (10) in piano.
- ◆ Prima di usare l'elettrotensile dopo un lungo periodo di inutilizzo, caricare di nuovo, completamente, la batteria (10).

## Protezione dell'ambiente



■ Raccolta differenziata. Questo prodotto non deve essere smaltito con i normali rifiuti domestici.

Nel caso in cui l'elettrotensile Black & Decker debba essere sostituito o non sia più necessario, non smaltirlo con i normali rifiuti domestici. Metterlo da parte per la raccolta differenziata.



La raccolta differenziata dei prodotti e degli imballaggi utilizzati consente il riciclaggio dei materiali e il loro continuo utilizzo. Il riutilizzo dei materiali riciclati favorisce la protezione dell'ambiente prevenendo l'inquinamento e riduce il fabbisogno di materie prime.

Seguire la regolamentazione locale per la raccolta differenziata dei prodotti elettrici che può prevedere punti di raccolta o la consegna dell'elettrotensile al rivenditore presso il quale viene acquistato un nuovo prodotto.

Black & Decker offre ai suoi clienti la possibilità di riciclare i prodotti Black & Decker che hanno esaurito la loro vita di servizio. Per usufruire di tale servizio, è sufficiente restituire il prodotto a qualsiasi tecnico autorizzato, incaricato della raccolta per conto dell'azienda.

Per individuare il tecnico autorizzato più vicino, rivolgersi alla sede Black & Decker locale, presso il recapito indicato nel presente manuale. In alternativa, un elenco completo di tutti i tecnici autorizzati Black & Decker e i dettagli completi sui contatti e i servizi post-vendita sono disponibili su Internet all'indirizzo: [www.2helpU.com](http://www.2helpU.com).

## Batterie



Le batterie Black & Decker possono essere ricaricate molte volte. Alla fine della loro vita utile, smaltirle in conformità alle norme ambientali.

- ◆ Scaricare completamente la batteria e toglierla dall'elettrotensile.
- ◆ Le batterie NiCd e NiMH sono riciclabili. Portarle presso un tecnico autorizzato o il centro di riciclaggio di zona.

**Dati tecnici**

	<b>GKC1817 H1</b>	<b>GKC1817P H1</b>	<b>GKC1817NM H1</b>
Tensione	V c.c. 18	18	18
Velocità della catena senza carico	min <sup>-1</sup> 190	190	190
Peso	kg 2	2	2

<b>Batteria</b>	<b>A18</b>	<b>A1718</b>	<b>A18NH</b>
<b>Modello</b>	<b>GKC1817</b>	<b>GKC1817P</b>	<b>GKC1817NM</b>
Tensione	V c.c. 18	18	18
Capacità	A/h 1,5	1,7	1,5
Peso	kg 0,8	0,8	0,8

<b>Alimentatore</b>	<b>TPCA-240080*1</b>	<b>TPCA-240080*2</b>	<b>31190*-.**</b>	<b>TPCA-180021*1</b>
<b>Modello</b>	<b>GKC1817, GKC1817P</b>	<b>GKC1817NM</b>	<b>GKC1817, GKC1817P</b>	<b>GKC1817NM</b>
Tensione in ingresso	V c.a. 200-240	200-240	230-240	230-240
Tensione erogata	V.c.c. 18	18	21,75	21,75
Corrente erogata	mA 800	800	210 / 230	200-240
Tempo di carica approssimativo	h 1	1	8	8
Peso	kg 0,399	0,4	0,365	0,556

Livello garantito di pressione sonora, misurata in conformità alla normativa. 2000/14/CE:

$L_{pA}$  (pressione sonora) 78,6 dB(A), incertezza (K) 3 dB(A)

$L_{WA}$  (potenza sonora) 89,6 dB(A), incertezza (K) 3 dB(A)

$L_{WA}$  (garantita) 90 dB(A)

Indossare sempre otoprotezioni se la pressione sonora supera 80 dB (A).

Valore medio quadratico ponderato dell'accelerazione secondo la normativa EN 60745: 4 m/sec<sup>2</sup>

**Dichiarazione CE di conformità**

DIRETTIVA SUI MACCHINARI

**GKC1817, GKC1817P, GKC1817NM**

Black & Decker dichiara che i prodotti descritti al paragrafo "Dati tecnici" sono conformi a:  
2006/42/CE, EN60745-1, EN60745-2-13

Per ulteriori informazioni contattare Black & Decker al seguente indirizzo oppure consultare l'ultima di copertina del manuale.

Il sottoscritto è responsabile della redazione di questo documento tecnico e rilascia questa dichiarazione per conto di Black & Decker.

Kevin Hewitt  
Vice-President Global Engineering  
Black & Decker Europe, 210 Bath Road, Slough,  
Berkshire, SL1 3YD  
Regno Unito  
12-04-2010

**Garanzia**

Certa della qualità dei suoi prodotti, Black & Decker offre una garanzia eccezionale. Il presente certificato di garanzia è complementare ai diritti legali e non li pregiudica in alcun modo. La garanzia è valida entro il territorio degli Stati membri dell'Unione Europea e dell'EFTA (European Free Trade Area).

Se un prodotto Black & Decker risulta difettoso per qualità del materiale, della costruzione o per mancata conformità entro 24 mesi dalla data di acquisto, Black & Decker garantisce la sostituzione delle parti difettose, provvede alla riparazione dei prodotti se ragionevolmente usurati oppure alla loro sostituzione, in modo da ridurre al minimo il disagio del cliente a meno che:

- ◆ Il prodotto non sia stato destinato ad usi commerciali, professionali o al noleggio;
- ◆ Il prodotto non sia stato usato in modo improprio o scorretto;
- ◆ Il prodotto non abbia subito danni causati da oggetti o sostanze estranee oppure incidenti;
- ◆ Il prodotto non abbia subito tentativi di riparazione non effettuati da tecnici autorizzati né dall'assistenza Black & Decker.

Per attivare la garanzia è necessario esibire la prova di acquisto al venditore o al tecnico autorizzato. Per individuare il tecnico autorizzato più vicino, rivolgersi alla sede Black & Decker locale, presso il recapito indicato nel presente manuale. Altrimenti un elenco completo di tutti i tecnici autorizzati Black & Decker e i dettagli completi sui contatti e i servizi post-vendita sono disponibili su Internet all'indirizzo: **www.2helpU.com**

I clienti che desiderano registrare il nuovo prodotto Black & Decker e ricevere gli aggiornamenti sui nuovi prodotti e le offerte speciali, sono invitati a visitare il sito Web (**www.blackanddecker.it**). Ulteriori informazioni sul marchio e la gamma di prodotti Black & Decker sono disponibili all'indirizzo **www.blackanddecker.it**.

## Beoogd gebruik

De compacte kettingzaag van Black & Decker is ontwikkeld voor lichte zaag- en snoeiwerkzaamheden. Deze machine is uitsluitend bestemd voor consumentengebruik.

## Veiligheidsinstructies

### Algemene veiligheidswaarschuwingen voor elektrisch gereedschap



**Waarschuwing! Lees alle veiligheidswaarschuwingen en alle instructies.**

Wanneer de instructies niet in acht worden genomen, kan dit een elektrische schok, brand of ernstig letsel tot gevolg hebben.

### Bewaar alle waarschuwingen en instructies als referentiemateriaal.

Het hierna gebruikte begrip 'elektrisch gereedschap' heeft betrekking op elektrische gereedschappen voor gebruik op de netspanning (met netsnoer) of op accu (snoerloos).

1. **Veilige werkomgeving**
  - a. **Houd uw werkomgeving schoon en goed verlicht.**  
Een rommelige of onverlichte werkomgeving kan tot ongevallen leiden.
  - b. **Gebruik elektrisch gereedschap niet in een omgeving met explosiegevaar, zoals in de nabijheid van brandbare vloeistoffen, gasen of stof.**  
Elektrisch gereedschap veroorzaakt vonken die het stof of de dampen tot ontsteking kunnen brengen.
  - c. **Houd kinderen en andere personen tijdens het gebruik van elektrisch gereedschap uit de buurt.**  
Wanneer u wordt afgeleid, kunt u de controle over het gereedschap verliezen.
2. **Elektrische veiligheid**
  - a. **De netstekker van het gereedschap moet in het stopcontact passen. De stekker mag in geen geval worden omgebouwd. Gebruik geen adapterstekkers in combinatie met geaarde gereedschappen.** Niet omgebouwde stekkers en passende stopcontacten beperken het risico van een elektrische schok.
  - b. **Vermijd aanraking van het lichaam met geaarde oppervlakken, bijvoorbeeld buizen, verwarmingen, fornuizen en koelkasten.** Er bestaat een verhoogd risico voor een elektrische schok wanneer uw lichaam geaard is.
  - c. **Houd het gereedschap uit de buurt van regen en vocht.** Het binnendringen van water in het elektrische gereedschap vergroot het risico van een elektrische schok.
  - d. **Gebruik het snoer niet voor een verkeerd doel. Gebruik het snoer niet om het gereedschap te dragen of op te hangen of om de stekker uit het stopcontact te trekken.** Houd het snoer uit de buurt van hitte, olie, scherpe randen of bewegende delen. Beschadigde of in de war geraakte snoeren vergroten het risico van een elektrische schok.
  - e. **Wanneer u buitenshuis met elektrisch gereedschap werkt, dient u alleen verlengsnoeren te gebruiken die zijn goedgekeurd voor gebruik buitenshuis.** Het gebruik van een verlengsnoer dat geschikt is voor gebruik buitenshuis beperkt het risico van een elektrische schok.
  - f. **Als u een elektrisch gereedschap moet gebruiken in een vochtige locatie, moet u een aardlekschakelaar gebruiken.** Met een aardlekschakelaar wordt het risico van een elektrische schok verkleind.
3. **Veiligheid van personen**
  - a. **Wees alert, let goed op wat u doet en ga met verstand te werk bij het gebruik van elektrische gereedschappen. Gebruik elektrisch gereedschap niet wanneer u moe bent of onder invloed van drugs, alcohol of medicijnen.** Een moment van onoplettendheid bij het gebruik van het gereedschap kan leiden tot ernstige verwondingen.
  - b. **Draag persoonlijke beschermende uitrusting. Draag altijd een veiligheidsbril.** Het dragen van persoonlijke beschermende uitrusting zoals een stofmasker, slipvaste werkschoenen, een veiligheidshelm of gehoorbescherming, afhankelijk van de aard en het gebruik van het elektrische gereedschap, vermindert het risico van verwondingen.
  - c. **Voorkom per ongeluk inschakelen. Controleer of de schakelaar in de uit-stand staat voordat u het gereedschap aansluit op het stopcontact en/of de accu en voordat u het gereedschap optilt of gaat dragen.** Wanneer u bij het dragen van het gereedschap uw vinger op de schakelaar houdt of wanneer u het gereedschap per ongeluk inschakelt, kan dat leiden tot ongevallen.
  - d. **Verwijder instelgereedschappen of schroefsleutels voordat u het gereedschap inschakelt.** Een instelgereedschap of sleutel in een draaiend deel van het gereedschap kan tot verwondingen leiden.
  - e. **Reik niet te ver. Zorg er altijd voor dat u stevig staat en in evenwicht blijft.** Daardoor kunt u het gereedschap in onverwachte situaties beter onder controle houden.



- f. **Draag geschikte kleding. Draag geen loshangende kleding of sieraden. Houd haren, kleding en handschoenen uit de buurt van bewegende delen.** Loshangende kleding, sieraden en lange haren kunnen door bewegende delen worden meegenomen.
- g. **Wanneer stofafzuigings- of stofopvangvoorzieningen kunnen worden gemonteerd, dient u zich ervan te verzekeren dat deze zijn aangesloten en juist worden gebruikt.** Het gebruik van deze voorzieningen beperkt het gevaar door stof.
4. **Gebruik en onderhoud van elektrisch gereedschap**
- a. **Overbelast het gereedschap niet. Gebruik voor uw toepassing het daarvoor bestemde elektrische gereedschap.** Met het passende elektrische gereedschap werkt u beter en veiliger binnen het aangegeven capaciteitsbereik.
- b. **Gebruik geen elektrisch gereedschap waarvan de schakelaar defect is.** Elektrisch gereedschap dat niet meer kan worden in- of uitgeschakeld, is gevaarlijk en moet worden gerepareerd.
- c. **Trek de stekker uit het stopcontact en/of de accu uit het elektrisch gereedschap voordat u het gereedschap instelt, toebehoren wisselt of het gereedschap opbergt.** Met deze voorzorgsmaatregel voorkomt u onbedoeld starten van het gereedschap.
- d. **Bewaar niet-gebruikte elektrische gereedschappen buiten bereik van kinderen. Laat het gereedschap niet gebruiken door personen die er niet vertrouwd mee zijn en deze aanwijzingen niet hebben gelezen.** Elektrische gereedschappen zijn gevaarlijk wanneer deze door onervaren personen worden gebruikt.
- e. **Verzorg het gereedschap zorgvuldig. Controleer of bewegende delen van het gereedschap correct functioneren en niet klemmen, en of er onderdelen zodanig zijn gebroken of beschadigd dat de werking van het gereedschap nadelig wordt beïnvloed. Laat beschadigde delen repareren voordat u het gereedschap gebruikt.** Veel ongevallen worden veroorzaakt door slecht onderhouden elektrische gereedschappen.
- f. **Houd snijdende inzetgereedschappen scherp en schoon.** Zorgvuldig onderhouden snijdende inzetgereedschappen met scherpe snijkanten klemmen minder snel en zijn gemakkelijker te gebruiken.

- g. **Gebruik elektrische gereedschappen, toebehoren, inzetgereedschappen en dergelijke volgens deze aanwijzingen. Let daarbij op de arbeidsomstandigheden en de uit te voeren werkzaamheden.** Het gebruik van elektrische gereedschappen voor andere dan de voorziene toepassingen kan leiden tot gevaarlijke situaties.
5. **Gebruik en onderhoud van snoerloos elektrisch gereedschap**
- a. **Laad accu alleen op met de door de fabrikant aanbevolen lader.** Een lader die geschikt is voor een bepaald type accu kan brandgevaar opleveren wanneer deze in combinatie met andere accu's wordt gebruikt.
- b. **Gebruik elektrisch gereedschap alleen in combinatie met specifiek vermelde accu's.** Het gebruik van andere accu's kan gevaar voor letsel en brand opleveren.
- c. **Houd accu's die niet worden gebruikt uit de buurt van andere metalen voorwerpen, zoals paperclips, munten, spijkers, schroeven of andere kleine metalen voorwerpen die een verbinding van de ene pool naar de andere tot stand kunnen brengen.** Als kortsluiting tussen de polen van de accu's wordt gemaakt, kunnen brandwonden of brand worden veroorzaakt.
- d. **Onder extreme omstandigheden kan er vloeistof uit de accu spuiten. Vermijd contact. Indien onbedoeld contact plaatsvindt, spoelt u met water. Als vloeistof in aanraking komt met ogen, raadpleegt u bovendien uw huisarts.** Vloeistof die uit de accu spuit, kan irritatie of brandwonden veroorzaken.
6. **Service**
- a. **Laat het gereedschap alleen repareren door gekwalificeerd en vakkundig personeel en alleen met originele vervangingsonderdelen.** Daarmee wordt de veiligheid van het gereedschap gewaarborgd.

#### Aanvullende veiligheidswaarschuwingen voor elektrisch gereedschap



#### Waarschuwing! Aanvullende

veiligheidswaarschuwingen voor de compacte kettingzaag.

In deze instructiehandleiding wordt ingegaan op het beoogde gebruik. De kettingzaag mag niet gebruikt worden voor andere doeleinden dan waarvoor deze is bestemd. De machine mag daarom bijvoorbeeld niet gebruikt worden voor het vellen van bomen. Het gebruik van andere accessoires of hulpstukken, dan wel de uitvoering van andere handelingen dan in deze gebruikershandleiding worden aanbevolen, kan tot persoonlijk letsel leiden.

- ◆ Draag nauwsluitende en beschermende kleding, en tevens een veiligheidshelm met veiligheidsglas of een veiligheidsbril, anti-slipshoeisel, beschermende broek en stevige lederen handschoenen.
- ◆ Zorg dat u buiten de baan blijft van vallende takken.
- ◆ De veilige afstand tussen een tak die wordt afgesnoeid en omstanders, gebouwen en andere objecten is ten minste 2 1/2 keer de lengte van de tak. Een omstander, gebouw of object binnen deze afstand loopt het risico door de vallende tak te worden geraakt.
- ◆ Plan van tevoren een veilige uitweg, uit de buurt van vallende takken. Zorg dat de vluchtweg vrij is van obstakels die u zouden kunnen hinderen. Bedenk dat nat gras en vers gezaagde boomschors glad zijn.
- ◆ Zorg dat er iemand in de buurt (maar op veilige afstand) is voor het geval er zich een ongeluk voordoet.
- ◆ Gebruik het gereedschap niet als u in een boom, op een ladder of op een ander onstabiel oppervlak staat.
- ◆ Zorg altijd dat u stevig en in evenwicht staat.
- ◆ Houd het gereedschap stevig met beide handen vast als de motor draait.
- ◆ Zorg dat het uiteinde van de kettinggeleider nergens mee in aanraking komt als de zaagketting draait.
- ◆ Zaag uitsluitend met de ketting draaiend op volle snelheid.
- ◆ Steek de zaag niet in een vorige zaagsnede. Maak altijd een nieuwe zaagsnede.
- ◆ Wees bedacht op bewegende takken of andere krachten die de zaagsnede kunnen dichtknijpen of met de ketting in aanraking kunnen komen.
- ◆ Zaag geen takken af waarvan de diameter groter is dan de zaaglengte van de kettingzaag.
- ◆ Verwijder de accu altijd van de machine en plaats de kettingbeschermer over de ketting wanneer het apparaat wordt opgeborgen of vervoerd.
- ◆ Zorg dat de ketting geslepen en op de juiste spanning blijft. Controleer regelmatig de kettingspanning.
- ◆ Schakel het apparaat uit, laat de ketting tot stilstand komen en verwijder de accu uit het apparaat voordat aanpassingen, reiniging of onderhoud worden uitgevoerd.
- ◆ Gebruik uitsluitend de juiste, voor het apparaat bestemde reserveonderdelen en accessoires.

## Oorzaken en voorkoming van terugslag

Er kan terugslag optreden wanneer de punt van het zwaard op een voorwerp stoot of het hout terugveert en de zaagketting in de zaagsnede klem komt te zitten.

Als de punt een voorwerp raakt, kan het zwaard plotseling omhoog en naar achter slaan in de richting van uw lichaam.

Wanneer de zaagketting aan de bovenzijde van het zwaard klem komt te zitten, kan het zwaard snel achterwaarts in de richting van uw lichaam worden geduwd.

Door deze beide reacties kunt u de controle over de kettingzaag verliezen en ernstig lichamelijk letsel oplopen. Vertrouw niet uitsluitend op de ingebouwde veiligheidsvoorzieningen van de kettingzaag. Als gebruiker van de kettingzaag kunt u ook zelf het nodige doen om ongevallen of letsel tijdens de zaagwerkzaamheden te voorkomen.

Terugslag is het gevolg van het verkeerde gebruik of onjuiste gebruiksomstandigheden van het gereedschap. Met geschikte voorzorgsmaatregelen, zoals hieronder zijn beschreven, kan terugslag worden voorkomen.

- ◆ **Zorg voor een stevige grip door uw duimen en vingers om de handgrepen te sluiten. Houd de kettingzaag met beide handen vast en houd uw lichaam en armen zodanig dat u weerstand kunt bieden aan de terugslagkrachten.** Met geschikte voorzorgsmaatregelen kunt u de terugslagkrachten onder controle houden. Laat de kettingzaag niet los.
- ◆ **Reik niet te ver en zaag niet boven schouderhoogte.** Dit voorkomt ongewild contact met de punt en zorgt ervoor dat u de kettingzaag in onverwachte situaties beter onder controle kunt houden.
- ◆ **Gebruik uitsluitend door de fabrikant aanbevolen vervangingsonderdelen.** Onjuiste zwaarden en kettingen kunnen kettingbreuk of terugslag veroorzaken.
- ◆ **Volg voor de zaagketting de slijp- en onderhoudsinstructies van de fabrikant.** Verkleining van de dieptemaat kan tot meer terugslag leiden.

## Veiligheidsaanbevelingen voor de kettingzaag

- ◆ Onervaren gebruikers wordt sterk aangeraden een ervaren gebruiker om praktische instructies over het gebruik van de kettingzaag en veiligheidsuitrusting te vragen. De eerste ervaringen kunnen het beste worden opgedaan met het zagen van stammen op een zaagbok of montageframe.
- ◆ Draag de kettingzaag uitsluitend met geactiveerde kettingrem.
- ◆ Onderhoud uw kettingzaag als u deze niet gebruikt. Berg de kettingzaag niet op zonder dat u eerst de ketting en het zwaard uit de zaag hebt verwijderd en ondergedompeld in olie hebt bewaard. Bewaar alle onderdelen van uw kettingzaag op een droge, veilige plaats, buiten bereik van kinderen.
- ◆ Laat het oliereservoir leeglopen voordat u de kettingzaag opbergt.

- ◆ Zorg dat u stevig staat en zoek van tevoren naar een veilige uitweg voor vallende bomen of takken.
- ◆ Maak gebruik van wiggen om controle te houden over het kapproces en om te voorkomen dat de ketting en het zwaard in de zaagsnede vast komen te zitten.
- ◆ Onderhoud de zaagketting. Houd de zaagketting scherp en zorg dat deze stevig tegen het zwaard ligt. Zorg dat de zaagketting en het zwaard schoon en goed geolied zijn. Houd de handvatten droog, schoon en vrij van olie en vet.

Terugslag kan worden veroorzaakt door:

- ◆ Het per ongeluk raken van takken of andere voorwerpen met de punt van de zaag, terwijl de zaagketting in beweging is.
- ◆ Het raken van metaal, cement of andere harde materialen in of in de buurt van het hout.
- ◆ Een botte of losse ketting.
- ◆ Het zagen boven schouderhoogte.
- ◆ Gebrek aan aandacht bij het vasthouden of leiden van de kettingzaag tijdens het zagen.
- ◆ Te hoog reiken. Zorg altijd voor een juiste, stabiele houding en reik niet te ver.
- ◆ Steek de zaag niet in een vorige zaagsnede. Dit kan een terugslag veroorzaken. Maak elke keer een nieuwe zaagsnede.
- ◆ Gebruik geen kettingzaag als u zich in een boom, op een ladder of op een ander onstabiel oppervlak bevindt. Als u dit wel doet, dient u te beseffen dat deze posities extreem gevaarlijk zijn.
- ◆ Bij het zagen van een tak die onder spanning staat, moet u er rekening mee houden dat deze kan terugspringen. Zorg dat u dan niet geraakt wordt.

Zaag niet:

- ◆ In geprepareerd hout.
- ◆ In de grond.
- ◆ In gaasafsteringen, spijkers, enz.
- ◆ In kort struikgewas of jong hout, want dun materiaal kan in de zaagketting vast komen te zitten en naar u toe zwiepen of u uit balans trekken.
- ◆ Gebruik de kettingzaag niet boven schouderhoogte.
- ◆ Zorg dat er iemand in de buurt (maar op veilige afstand) is voor het geval er zich een ongeluk voordoet.
- ◆ Zorg dat de kettingzaag niet meer op de netspanning is aangesloten wanneer u de zaagketting om bepaalde redenen moet aanraken.
- ◆ Het geluidsniveau van dit product kan meer dan 80 dB(A) bedragen. Het is daarom raadzaam om adequate maatregelen te nemen om uw gehoor te beschermen.

## Veiligheid van anderen

- ◆ Dit apparaat mag niet worden gebruikt door personen (waaronder kinderen) die lichamelijk of geestelijk minder valide zijn of die geen ervaring met of kennis van dit apparaat hebben, tenzij deze onder toezicht staan of instructies krijgen voor het gebruik van het apparaat van een persoon die verantwoordelijk is voor hun veiligheid.
- ◆ Houd toezicht op kinderen om ervoor te zorgen dat zij niet met het apparaat gaan spelen.

## Trilling

De aangegeven waarden voor trillingsemissie in de technische gegevens en de conformiteitsverklaring zijn gemeten conform een standaardtestmethode die door EN 60745 wordt geboden. Hiermee kan het ene gereedschap met het andere worden vergeleken. De aangegeven waarde voor trillingsemissie kan ook worden gebruikt bij een voorlopige bepaling van blootstelling.

**Waarschuwing!** De waarde voor trillingsemissie tijdens het werkelijke gebruik van het gereedschap kan verschillen van de aangegeven waarde afhankelijk van de manieren waarop het gereedschap wordt gebruikt. Het trillingsniveau kan hoger worden dan het aangegeven niveau.

- ◆ Wanneer de blootstelling aan trillingen wordt vastgesteld teneinde veiligheidsmaatregelen te bepalen die worden vereist door 2002/44/EG ter bescherming van personen die tijdens hun werk regelmatig elektrische gereedschappen gebruiken, moet bij een schatting van de blootstelling aan trillingen rekening worden gehouden met de werkelijke omstandigheden van het gebruik en de manier waarop het gereedschap wordt gebruikt. Daarbij moet ook rekening worden gehouden met alle stappen in de gebruikscyclus, zoals het moment waarop het gereedschap wordt uitgeschakeld en wanneer het gereedschap stationair loopt alsook de aanlooptijd.

## Waarschuwingssymbolen

Uw gereedschap is voorzien van de volgende waarschuwingssymbolen:



**Waarschuwing!** De gebruiker moet de instructiehandleiding lezen om het risico op letsel te verminderen.



Gebruik uw zaag niet in natte omstandigheden en stel deze niet bloot aan regen.



Draag altijd oorbescherming.



Draag altijd een veiligheidsbril.



Draag altijd antislipschoeisel.



Wees bedacht op vallende objecten.



Houd omstanders uit de buurt.



Voor een continu veilig gebruik controleert u na elke 10 minuten gebruik de kettingspanning zoals beschreven in deze handleiding en stelt u de ketting opnieuw af op een speling van 3 mm, indien nodig. Smeer de ketting na elke tien minuten gebruik.



Draairichting van de ketting.



Teneinde een voortdurend veilige werking te waarborgen, dienen de ketting en het zwaard uitsluitend door originele onderdelen van Black & Decker te worden vervangen. Onderdeelnummer A6158 voor een vervangende ketting, onderdeelnummer 90517720 voor een vervangend zwaard.

## Aanvullende veiligheidsinstructies – accu's en laders

### Accu's

- ◆ Probeer accu's niet te openen, om welke reden ook.
- ◆ Stel de accu niet bloot aan water.
- ◆ Stel de accu niet bloot aan hitte.
- ◆ Bewaar de accu niet op locaties met temperaturen die hoger zijn dan 40°C.
- ◆ Laad de accu alleen op bij een omgevingstemperatuur tussen 10 en 40°C.
- ◆ Gebruik alleen de lader die bij het gereedschap/apparaat is geleverd. Het gebruik van de verkeerde lader kan resulteren in een elektrische schok of oververhitting van de accu.
- ◆ Gooi lege accu's weg volgens de instructies in het gedeelte "Milieu".
- ◆ De accubehuizing mag niet worden beschadigd of vervormd door er gaten in te laten komen of er tegen aan te stoten, aangezien dit kan leiden tot letsel of brand.
- ◆ Laad beschadigde accu's niet op.
- ◆ Onder extreme omstandigheden kunnen accu's lekkages vertonen. Wanneer de accu nat of vochtig is, veegt u de vloeistof voorzichtig af met een doek. Vermijd huidcontact.
- ◆ Bij huid- of oogcontact volgt u de onderstaande instructies.

**Waarschuwing!** De accuvloeistof kan letsel of materiële schade veroorzaken. Bij huidcontact moet u de vloeistof direct afspoelen met water. Raadpleeg uw huisarts als er rode vlekken ontstaan of bij een pijnlijke of geïrriteerde huid. Bij oogcontact moet u de vloeistof direct afspoelen met water en uw huisarts raadplegen.

### Laders

De lader is ontworpen voor een specifieke spanning. Controleer altijd de netspanning overeenkomstig met de waarde op het typeplaatje.

**Waarschuwing!** Probeer de lader nooit te vervangen door een normale netstekker.

- ◆ Gebruik de lader van Black & Decker alleen voor de accu in het gereedschap/apparaat waarbij de lader is bijgeleverd. Andere accu's kunnen exploderen met letsel en materiële schade als gevolg.
- ◆ Niet-laadbare accu's mogen nooit worden opgeladen.
- ◆ Als het netsnoer is beschadigd, moet dit worden vervangen door de fabrikant of een Black & Decker servicecentrum om gevaren te voorkomen.
- ◆ Stel de lader niet bloot aan water.
- ◆ Open de lader niet.
- ◆ Prik nooit met een scherp voorwerp in de lader.
- ◆ Laad het apparaat/het gereedschap/de accu in een goed geventileerde locatie op.

## Labels op de lader

Uw lader is voorzien van de volgende symbolen:



Lees de gehele gebruiksaanwijzing aandachtig door voordat u het apparaat gaat gebruiken.



De lader wordt automatisch uitgeschakeld als de omgevingstemperatuur te ver oploopt. Hierdoor zal de lader onbruikbaar worden. Neem de lader in dat geval uit het stopcontact en laat deze door een erkend servicecentrum repareren.



Laad de accu's alleen op bij een omgevingstemperatuur van 10-40°C.



De laadhouder is uitsluitend bestemd voor gebruik binnenshuis.



De lader is dubbel geïsoleerd, zodat een aardaansluiting niet noodzakelijk is. Controleer altijd of de netspanning overeenkomt met de waarde op het typeplaatje.

## Elektrische veiligheid



De lader is dubbel geïsoleerd, zodat een aardaansluiting niet noodzakelijk is. Controleer altijd of de netspanning overeenkomt met de waarde op het typeplaatje.

Als het netsnoer is beschadigd, moet dit worden vervangen door de fabrikant of een Black & Decker-servicecentrum om gevaren te voorkomen.

**Waarschuwing!** Probeer de lader nooit te vervangen door een normale netstekker.

## Onderdelen

1. Aan/uit-schakelaar
2. Ontgrendelingsknop
3. Oliedop
4. Oliereservoir
5. Beschermkap
6. Bout van kettingbeschermer
7. Instelschroef voor kettingspanning
8. Ketting
9. Zwaard
10. Accu
11. Kettingbescherming
12. Opladerhouder
13. Oplader

## Montage

**Waarschuwing!** Verwijder de accu (10) uit het gereedschap voordat u gaat monteren.

### De accu plaatsen en verwijderen (fig. A)

- ◆ U plaatst de accu (10) door deze op één lijn te plaatsen met het contragedeelte op het gereedschap. Schuif de accu (10) in het contragedeelte en duw totdat de accu (10) vastklikt.
- ◆ Als u de accu (10) wilt verwijderen, drukt u op de vergrendelingsknop (24) en trekt u tegelijkertijd de accu (10) uit het contragedeelte.

**Waarschuwing!** Teneinde het apparaat niet onbedoeld in werking te stellen, moet u ervoor zorgen dat de accu is verwijderd en de beschermkap (11) zich op de kettingzaag (8) bevindt voordat de volgende handelingen worden uitgevoerd. Als u dat niet doet, kan dat tot ernstig letsel leiden.

### Opladen van de accu (fig. B & C)

De accu moet worden opgeladen voor het eerste gebruik alsmede zodra hij niet meer genoeg energie levert voor werkzaamheden die eerder moeiteloos konden worden verricht. Als u de accu voor de eerste keer of na langdurige opslag oplaadt, zal deze slechts voor ca. 80% worden opgeladen. Na een aantal laad- en ontlad-cycli wordt de accu echter compleet opgeladen. Tijdens het opladen kan de accu warm aanvoelen. Dit is normaal en duidt niet op een defect.

**Waarschuwing!** Laad de accu niet op bij omgevingstemperaturen onder 10°C of boven 40°C. Aanbevolen oplaadtemperatuur: ca. 24°C.

### 8-uurs oplader (fig. B)

- ◆ Om de accu (10) op te laden, haalt u deze uit de machine en schuift u de opladerhouder (12) op de accu.
- ◆ Steek de stekker van de oplader (13) in het stopcontact.

De accu (10) is volledig opgeladen na ongeveer 8 uur. De accu kan elk moment worden uitgenomen of voor onbepaalde tijd in de aangesloten oplader worden achtergelaten.

## 1-uurs oplader (fig. C)

- ◆ Om de accu (10) op te laden, haalt u deze uit de machine en steekt hem in de oplader (23). De accu past slechts op een manier in de oplader. Niet forceren. Verzeker u ervan dat de accu volledig in de oplader is geplaatst.
- ◆ Steek de stekker van de oplader in het stopcontact.

Controleer of de rode oplaadindicator brandt. Als de groene indicator einde oplaadtijd brandt, is de accu te heet en kan deze niet worden opgeladen. Indien dit gebeurt, haalt u de accu uit de oplader en laat hem ongeveer 1 uur afkoelen voordat u de accu terugplaatst.

Na ongeveer 1 uur opladen dooft de rode oplaadindicator en gaat de groene indicator einde oplaadtijd branden. De accu is nu volledig opgeladen.

- ◆ Verwijder de accu uit de oplader.

## De zaagketting plaatsen en verwijderen (fig. D - F & H)



Draag altijd beschermende handschoenen bij het plaatsen of verwijderen van de ketting (8). De ketting is scherp en u kunt zich eraan snijden, ook wanneer deze niet in werking is.

- ◆ Plaats het gereedschap op een stevige en stabiele ondergrond.
- ◆ Draai de twee inbusschroeven (14) los met de bijgeleverde inbussleutel (21). Verwijder de inbusschroeven (14).
- ◆ Verwijder de kettingbeschermer (6).
- ◆ Draai de stelschroef (7) voor de kettingspanning naar links zodat het zwaard (9) terugwijkt en de spanning op de ketting (8) afneemt.
- ◆ Verwijder de oude zaagketting (8) van het kettingwiel (15) en het kettingzwaard (9).
- ◆ Plaats de nieuwe zaagketting (8) in de groeven van het zwaard (9) en om het tandwiel (15). Zorg ervoor dat de tanden van het tandwiel de juiste richting uitwijzen door de pijl op de ketting (8) op te lijnen met de pijl op de kettingbeschermer (6).
- ◆ Zorg ervoor dat de gleuf (17) in het kettingzwaard (9) over de locatiebouten (18) is geplaatst, en dat het gat (20) onder de gleuf over de stelbout (19) is geplaatst.
- ◆ Breng de kettingbeschermer (6) en de twee inbusschroeven (14) aan.
- ◆ Draai de twee inbusschroeven (14) aan met de bijgeleverde inbussleutel (21).

- ◆ U kunt de kettingspanning op de hierna beschreven wijze afstellen.

## Kettingspanning controleren en afstellen (fig. D en F)

- ◆ Controleer de kettingspanning. De spanning is juist wanneer de zaagketting (8) terugschiet als deze 3 mm van de kettinggeleider (9) wordt weggetrokken als met de middelvinger en de duim enige kracht wordt uitgeoefend. De zaagketting (8) mag niet 'doorzakken' aan de onderzijde van het kettingzwaard (9).

Stel de spanning als volgt af:

- ◆ Draai de beide inbusschroeven los (14).
- ◆ Draai de stelschroef voor de kettingspanning (7) rechtsom.

**Waarschuwing!** Stel de ketting niet te strak af, dit leidt tot overmatige slijtage en beperkt de levensduur van de geleider en de ketting.

- ◆ Zodra de kettingspanning juist is afgesteld, kunnen de twee inbusschroeven (14) worden aangedraaid.

**Waarschuwing!** Controleer de kettingspanning regelmatig tijdens de eerste twee uren van het eerste gebruik, aangezien nieuwe zaagkettingen meer rek vertonen.

## Oliereservoir vullen (fig. H)

- ◆ Verwijder de oliedop (3) en vul het reservoir (4) met de aanbevolen kettingolie. U kunt het oliepeil in het oliereservoir (4) controleren. Plaats de oliedop (3).
- ◆ Schakel de zaag regelmatig uit en controleer vervolgens het oliepeil; verwijder de accu (10) uit het gereedschap en vul het reservoir (4) met de juiste olie bij zodra de indicator op minder dan een kwart staat.

## Ketting oliën (fig. H)

De zaagketting (8) moet vóór elk gebruik en na reiniging uitsluitend geolied worden met de juiste oliekwaliteitsklasse (cat.nr. A6027).

- ◆ Olie de zaagketting (8) door tweemaal op de bol van de oliedop (3) te drukken voordat er wordt gezaagd, waarbij de bol 3 tot 4 seconden lang moet worden ingedrukt.

## Overige risico's

Er kunnen zich tijdens het gebruik van het gereedschap ook andere risico's voordoen die misschien niet in de bijgevoegde veiligheidswaarschuwingen worden vermeld. Deze risico's kunnen zich voordoen als gevolg van onoordeelkundig gebruik, langdurig gebruik, enz. Zelfs als de veiligheidsvoorschriften in acht worden genomen en de veiligheidsvoorzieningen worden geïmplementeerd, kunnen bepaalde risico's niet worden vermeden. Deze omvatten:

- ◆ Verwondingen die worden veroorzaakt door het aanraken van draaiende of bewegende onderdelen.
- ◆ Verwondingen die worden veroorzaakt bij het vervangen van onderdelen, bladen of accessoires.
- ◆ Verwondingen die worden veroorzaakt door langdurig gebruik van het gereedschap. Als u langere periodes met het gereedschap werkt, is het raadzaam om regelmatig een pauze in te lassen.
- ◆ Gehoorbeschadiging.
- ◆ Gezondheidsrisico's als gevolg van het inademen van stof dat door gebruik van het gereedschap wordt veroorzaakt (bijvoorbeeld tijdens het werken met hout, vooral eiken, beuken en MDF).

## Gebruik

### In- en uitschakelen (fig. H)

**Waarschuwing!** Laat het gereedschap in zijn eigen tempo werken, vermijd overbelasting.

Om veiligheidsredenen is dit gereedschap voorzien van een dubbel schakelaarsysteem. Hierdoor wordt onbedoeld inschakelen van het gereedschap voorkomen.

### Inschakelen

- ◆ Druk de ontgrendelingsknop (2) in en druk tegelijkertijd op de aan- en uitschakelaar (1).
- ◆ Laat de ontgrendelingsknop (2) los.

### Uitschakelen

- ◆ Laat de aan/uit-schakelaar (1) los.

**Waarschuwing!** Probeer nooit om een schakelaar in de ingeschakelde stand te vergrendelen.

### Bomen snoeien (fig. I)

Controleer of er geen wetten of voorschriften zijn die het snoeien van de boomtakken verbieden. Snoei alleen als u al wat meer ervaring met de zaag hebt opgedaan, anders is de kans groter dat de zaagketting (8) klem komt te zitten en terugslaat.

Houd vóór het snoeien rekening met alle voorwaarden die de valrichting kunnen beïnvloeden, waaronder:

- ◆ De lengte en het gewicht van de te zagen tak.
- ◆ Een verdikking of rotte plek.
- ◆ Andere bomen of obstakels zoals bovengrondse kabels.
- ◆ De richting en kracht van de wind.
- ◆ Vervlechtingen van de tak met andere takken.

Houd rekening met de toegankelijkheid van de tak en de valrichting. Takken hebben de neiging om naar de boomstam te zwaaien. Behalve de gebruiker loopt elke omstander, elk object of elk gebouw onder de tak gevaar.

Maak ter voorkoming van versplintering de opwaartse eerste snede tot een diepte van maximaal één derde van de takdiameter. Maak vervolgens een neerwaartse tweede snede tot aan de eerste.

### Lichte zaagwerkzaamheden (fig. J)

De manier van zagen is afhankelijk van de ondersteuning van het blok. Maak zo mogelijk gebruik van een zaagbok. Begin een zaagsnede altijd terwijl de zaagketting (8) draait en de gekartelde stootrand het hout raakt. Maak met de gekartelde stootrand draaibewegingen tegen het hout.

Bij ondersteuning over de volle lengte:

- ◆ Zaag in neerwaartse richting, maar zorg dat u de grond niet raakt, want hierdoor wordt uw zaag snel bot.

Bij ondersteuning aan beide uiteinden:

- ◆ Zaag eerst tot eenderde omlaag om versplintering te voorkomen en vervolgens nogmaals tot aan de eerste snede.

Bij ondersteuning aan één uiteinde:

- ◆ Zaag eerst tot eenderde omhoog en vervolgens omlaag om versplintering te voorkomen.

Zagen op een helling:

- ◆ Ga altijd heuvelopwaarts van het werk staan.

Bij gebruik van een zaagbok (fig. J):

Het wordt sterk aanbevolen om indien mogelijk een zaagbok te gebruiken.

- ◆ Plaats het blok in een stabiele positie. Zaag altijd aan de buitenkant van de armen van de zaagbok. Zet het werkstuk met klemmen of riemen vast.

## Reiniging, onderhoud en opbergen

Uw Black & Decker-gereedschap is ontworpen om gedurende langere periode te functioneren met een minimum aan onderhoud.

U kunt het gereedschap naar volle tevredenheid blijven gebruiken als u voor correct onderhoud zorgt en het gereedschap regelmatig schoonmaakt.

Naast regelmatige reiniging vereist de lader geen onderhoud.

**Waarschuwing!** Voordat u onderhoud aan het gereedschap uitvoert, verwijdert u de accu uit het gereedschap. Neem de lader uit het stopcontact voordat u deze schoonmaakt.

### De accudop plaatsen (fig. K)

**Waarschuwing!** Plaats de dop (22) op de accu (10) voor vervoer en opslag.

## Na gebruik en voordat het gereedschap wordt opgeborgen

Reinig de ventilatieopeningen regelmatig met een schone, droge kwast.

Reinig het gereedschap uitsluitend met een milde reinigingsoplossing en een vochtige doek. Voorkom dat vloeistof het gereedschap binnendringt en dompel nooit enig onderdeel van het gereedschap in vloeistof onder.

- ◆ Verwijder afval met een harde borstel.
- ◆ Smeer de ketting (8) met olie.

## Zaagketting slijpen

Voor optimale prestaties van het gereedschap moet u de tanden van de zaagketting scherp houden. Richtlijnen voor deze procedure vindt u op de verpakking van de slijper. Wij raden u aan de Black & Decker-kettingslijpset aan te schaffen, die verkrijgbaar is bij servicecentra van Black & Decker (cat.nr. A6039).

## Een versleten zaagketting of zwaard vervangen

Vervangende zaagkettingen zijn verkrijgbaar bij de dealers van de Black & Decker-servicecentra (onderdeelnummer A6158), vervangende zwaarden zijn alleen verkrijgbaar via de Black & Decker-servicecentra (onderdeelnummer 90517720). Gebruik uitsluitend kettingen en zwaarden van Black & Decker teneinde letselrisico te voorkomen.

## Scherpte van zaagketting

De zaagtanden worden direct bot als deze tijdens het zagen de grond of een spijker raken.

## Spanning van zaagketting

Controleer regelmatig de kettingspanning.

## Reparatie van de kettingzaag

Uw gereedschap voldoet aan de geldende veiligheidseisen. Reparaties mogen uitsluitend worden uitgevoerd door bevoegde vakmensen en met behulp van originele reserveonderdelen. Het niet naleven van deze regel kan aanzienlijke gevaren voor de gebruiker opleveren. Bewaar deze gebruiksaanwijzing op een veilige plaats.

## Opbergen

Houd de accu (10) op de lader aangesloten als het gereedschap enkele maanden niet wordt gebruikt.

Ga anders als volgt te werk:

- ◆ Verwijder de accu (10) uit het gereedschap.
- ◆ Laad de accu (10) volledig op.
- ◆ Berg het gereedschap en de accu (10) op een veilige en droge plaats op. De temperatuur in de opbergruimte moet altijd tussen +5 °C en +40 °C liggen. Plaats de accu (10) op een vlakke ondergrond.

- ◆ Voordat u het gereedschap weer gebruikt na langdurige opslag, dient u de accu (10) opnieuw op te laden.

## Milieu



■ Gescheiden inzameling. Dit product mag niet met normaal huishoudelijk afval worden weggegooid.

Mocht u op een dag constateren dat het apparaat aan vervanging toe is of dat u het apparaat niet meer nodig hebt, gooi dit product dan niet weg met normaal huishoudelijk afval. Zorg ervoor dat dit product op milieuvriendelijke wijze wordt afgevoerd.



■ Gescheiden inzameling van gebruikte producten en verpakkingsmaterialen maakt het mogelijk materialen te recyclen en opnieuw te gebruiken. Hergebruik van gerecycleerde materialen zorgt voor minder milieuvuiling en dringt de vraag naar grondstoffen terug.

Plaatselijke verordeningen kunnen voorzien in gescheiden inzameling van huishoudelijke elektrische producten via gemeentelijke stortplaatsen of via de leverancier bij wie u een nieuw product aanschaft.

Black & Decker biedt de mogelijkheid tot het recyclen van afgedankte Black & Decker-producten. Om gebruik te maken van deze service, dient u het product naar een van onze servicecentra te sturen, die de inzameling voor ons verzorgen.

U kunt het adres van het dichtstbijzijnde servicecentrum opvragen via de adressen op de achterzijde van deze handleiding. U kunt ook een lijst van onze servicecentra en meer informatie over onze klantenservice vinden op het volgende internetadres: [www.2helpU.com](http://www.2helpU.com).

## Accu's



■ Black & Decker-accu's kunnen veelvuldig worden herladen. Gooi afgedankte accu's op verantwoorde wijze weg:

- ◆ Ontlaad de accu volledig en verwijder deze vervolgens uit het gereedschap.
- ◆ NiCd- en NiMH-accu's kunnen worden gerecycleerd. Breng ze naar een servicecentrum of een inzamellocatie in uw woonplaats.



**Technische gegevens**

	<b>GKC1817 H1</b>	<b>GKC1817P H1</b>	<b>GKC1817NM H1</b>
Spanning	Vdc 18	18	18
Onbelaste kettingsnelheid	min <sup>-1</sup> 190	190	190
Gewicht	kg 2	2	2

<b>Accu Model</b>	<b>A18 GKC1817</b>	<b>A1718 GKC1817P</b>	<b>A18NH GKC1817NM</b>
Spanning	Vdc 18	18	18
Capaciteit	Ah 1,5	1,7	1,5
Gewicht	kg 0,8	0,8	0,8

<b>Lader Model</b>	<b>TPCA-240080*1 GKC1817, GKC1817P</b>	<b>TPCA-240080*2 GKC1817NM</b>	<b>31190*-** GKC1817, GKC1817P</b>	<b>TPCA-180021*1 GKC1817NM</b>
Ingangsspanning	Vac 200-240	200-240	230-240	230-240
Uitgangsspanning	Vdc 18	18	21,75	21,75
Uitgangsstroom	mA 800	800	210 / 230	200-240
Oplaadtijd ca.	h 1	1	8	8
Gewicht	kg 0,399	0,4	0,365	0,556

Gegarandeerd geluidsdrukniveau gemeten volgens 2000/14/EG:

$L_{pA}$  (geluidsdruk) 78,6 dB(A), meetonzekerheid (K) 3 dB(A)

$L_{WA}$  (geluidsvermogen) 89,6 dB(A), meetonzekerheid (K) 3 dB(A)

$L_{WA}$  (gegarandeerd) 90 dB(A)

Draag altijd gehoorbeschermers als de geluidsdruk meer dan 80 dB (A) bedraagt.

Gewogen waarde van hand-arm-trilling gemeten volgens EN 60745: 4m/sec<sup>2</sup>

## EG-conformiteitsverklaring

MACHINERICHTLIJN



### GKC1817, GKC1817P, GKC1817NM

Black & Decker verklaart dat de producten die worden beschreven onder "technische gegevens" in overeenstemming zijn met:  
2006/42/EG, EN60745-1, EN60745-2-13

Neem voor meer informatie contact op met Black & Decker op het volgende adres of raadpleeg de achterkant van de handleiding.

Ondergetekende is verantwoordelijk voor de compilatie van het technische bestand en doet deze verklaring namens Black & Decker.

Kevin Hewitt  
Vice-President Global Engineering  
Black & Decker Europe, 210 Bath Road, Slough,  
Berkshire, SL1 3YD  
Verenigd Koninkrijk  
12-04-2010

## Garantie

Black & Decker heeft vertrouwen in haar producten en biedt een uitstekende garantie. Deze garantiebepalingen vormen een aanvulling op uw wettelijke rechten en beperken deze niet. De garantie geldt in de lidstaten van de Europese Unie en de Europese Vrijhandelsassociatie.

Mocht uw Black & Decker product binnen 24 maanden na de datum van aankoop defect raken ten gevolge van materiaal- of constructiefouten, dan garanderen wij de kosteloze vervanging van defecte onderdelen, de reparatie van het product of de vervanging van het product, tenzij:

- ◆ Het product is gebruikt voor handelsdoeleinden, professionele toepassingen of verhuurdoeleinden;
- ◆ Het product onoordeelkundig is gebruikt;
- ◆ Het product is beschadigd door invloeden van buitenaf of door een ongeval;
- ◆ Reparaties zijn uitgevoerd door anderen dan onze servicecentra of Black & Decker-personeel.

Om een beroep te doen op de garantie, dient u een aankoopbewijs te overhandigen aan de verkoper of een van onze servicecentra. U kunt het adres van het dichtstbijzijnde servicecentrum opvragen via de adressen op de achterzijde van deze handleiding. U kunt ook een lijst van onze servicecentra en meer informatie m.b.t. onze klantenservice vinden op het volgende internetadres: **[www.2helpU.com](http://www.2helpU.com)**  
Meld u aan op onze website **[www.blackanddecker.nl](http://www.blackanddecker.nl)** om te worden geïnformeerd over nieuwe producten en speciale aanbiedingen. Verdere informatie over het merk Black & Decker en onze producten vindt u op **[www.blackanddecker.nl](http://www.blackanddecker.nl)**.

## Uso previsto

La motosierra compacta Black & Decker se ha diseñado para podar y realizar cortes de pequeña envergadura. Esta herramienta está pensada únicamente para uso doméstico.

## Instrucciones de seguridad

### Advertencias de seguridad generales para herramientas eléctricas



**¡Atención! Lea todas las advertencias e instrucciones de seguridad.** Si no se siguen las instrucciones de seguridad, pueden producirse descargas eléctricas, incendios o lesiones graves.

### Guarde todas las advertencias e instrucciones para consultarlas en el futuro.

El término "herramienta eléctrica" empleado en las advertencias indicadas a continuación hace referencia a la herramienta eléctrica con alimentación de red (con cable) o alimentada por batería (sin cable).

1. **Seguridad del área de trabajo**
  - a. **Mantenga limpia y bien iluminada el área de trabajo.** El desorden y una iluminación deficiente en las áreas de trabajo pueden provocar accidentes.
  - b. **No utilice la herramienta eléctrica en un entorno con peligro de explosión, en el que se encuentren líquidos, gases o material en polvo inflamables.** Las herramientas eléctricas producen chispas que pueden llegar a inflamar los materiales en polvo o vapores.
  - c. **Mantenga alejados a los niños y otras personas del área de trabajo al emplear la herramienta eléctrica.** Una distracción le puede hacer perder el control sobre la herramienta.
2. **Seguridad eléctrica**
  - a. **El enchufe de la herramienta eléctrica debe corresponder a la toma de corriente utilizada. No modifique el enchufe en forma alguna. No emplee adaptadores en herramientas eléctricas dotadas con toma de tierra.** Los enchufes sin modificar adecuados a las respectivas tomas de corriente reducen el riesgo de una descarga eléctrica.
  - b. **Evite que su cuerpo toque partes conectadas a tierra como tuberías, radiadores, cocinas y refrigeradores.** El riesgo a quedar expuesto a una descarga eléctrica es mayor si su cuerpo tiene contacto con tierra.
  - c. **No exponga las herramientas eléctricas a la lluvia y evite que penetren líquidos en su interior.** Existe el peligro de recibir una descarga eléctrica si penetran ciertos líquidos en la herramienta eléctrica.
  - d. **Cuide el cable de alimentación. No lo utilice para transportar o colgar la herramienta eléctrica, ni tire de él para sacar el enchufe de la toma de corriente. Manténgalo alejado del calor, aceite, bordes afilados o piezas móviles.** Los cables de red dañados o enredados incrementan el riesgo de descarga eléctrica.
  - e. **Al trabajar con una herramienta eléctrica en el exterior utilice solamente cables de prolongación homologados para su uso en exteriores.** La utilización de un cable de prolongación adecuado para su uso en exteriores reduce el riesgo de descarga eléctrica.
  - f. **Si la utilización de una herramienta eléctrica en un lugar húmedo es inevitable, utilice una fuente protegida con un dispositivo de corriente residual (RCD).** La utilización de un RCD reduce el riesgo de sufrir descargas eléctricas.
3. **Seguridad personal**
  - a. **Esté atento a lo que hace y emplee la herramienta eléctrica con prudencia. No utilice la herramienta eléctrica si estuviese cansado, ni tampoco después de haber consumido alcohol, drogas o medicamentos.** El no estar atento durante el uso de una herramienta eléctrica puede provocarle serias lesiones.
  - b. **Utilice un equipo de protección personal. Utilice siempre gafas de protección.** El riesgo de lesionarse se reduce considerablemente si se utiliza un equipo de protección adecuado como una mascarilla antipolvo, zapatos de seguridad con suela antideslizante, casco o protectores auditivos.
  - c. **Impida que la herramienta se ponga en marcha accidentalmente. Asegúrese de que el conmutador de encendido/apagado se encuentra en la posición de apagado antes de conectar la herramienta a la fuente de alimentación o a la batería, o de coger o transportar la herramienta.** Transportar la herramienta eléctrica con el dedo sobre el interruptor o enchufarla con el interruptor encendido puede provocar accidentes.
  - d. **Retire las herramientas de ajuste o llaves fijas antes de conectar la herramienta eléctrica.** Una herramienta o llave colocada en una pieza giratoria de la herramienta eléctrica puede producir lesiones al ponerse a funcionar.
  - e. **Sea precavido. Evite adoptar una posición que fatigue su cuerpo; mantenga un apoyo firme sobre el suelo y conserve el equilibrio en todo momento.** Ello le permitirá controlar mejor la herramienta eléctrica en caso de presentarse una situación inesperada.

- f. **Lleve puesta una vestimenta de trabajo adecuada. No lleve vestidos anchos ni joyas. Mantenga su pelo, vestimenta y guantes alejados de las piezas móviles.** La vestimenta suelta, las joyas y el pelo largo se pueden enganchar con las piezas en movimiento.
- g. **Siempre que sea posible utilizar unos equipos de aspiración o captación de polvo, asegúrese que éstos estén montados y que sean utilizados correctamente.** El empleo de estos equipos reduce los riesgos derivados del polvo.
4. **Uso y cuidado de herramientas eléctricas**
- a. **No sobrecargue la herramienta eléctrica. Use la herramienta eléctrica adecuada para cada aplicación.** Con la herramienta eléctrica adecuada podrá trabajar mejor y más seguro dentro del margen de potencia indicado.
- b. **No utilice herramientas eléctricas con un interruptor defectuoso.** Las herramientas eléctricas que no se puedan conectar o desconectar son peligrosas y deben hacerse reparar.
- c. **Desconecte de la herramienta eléctrica el enchufe de la fuente de alimentación y de la batería antes de realizar cualquier ajuste, cambiar accesorios o guardar la herramienta.** Esta medida preventiva reduce el riesgo de conectar accidentalmente la herramienta eléctrica.
- d. **Guarde las herramientas eléctricas fuera del alcance de los niños y de las personas que no estén familiarizadas con su uso.** Las herramientas eléctricas utilizadas por personas inexpertas son peligrosas.
- e. **Cuide sus herramientas eléctricas con esmero. Controle si funcionan correctamente, sin atascarse, las partes móviles de la herramienta eléctrica, y si existen partes rotas o deterioradas que pudieran afectar al funcionamiento de la herramienta. Si la herramienta eléctrica estuviese defectuosa haga que la reparen antes de volver a utilizarla.** Muchos accidentes se deben a herramientas eléctricas con un mantenimiento deficiente.
- f. **Mantenga las herramientas de corte limpias y afiladas.** Las herramientas de corte mantenidas correctamente se dejan guiar y controlar mejor.
- g. **Utilice la herramienta eléctrica, los accesorios, los útiles de la herramienta, etc. de acuerdo con estas instrucciones, y tenga en cuenta las condiciones de trabajo y la tarea a realizar.** El uso de herramientas eléctricas para trabajos diferentes de aquellos para los que han sido concebidas puede resultar peligroso.
5. **Uso y cuidado de la batería**
- a. **Recárguela sólo con el cargador especificado por el fabricante.** Un cargador adecuado para un tipo de batería podría suponer un riesgo de incendio si se utiliza con otra batería.
- b. **Utilice herramientas eléctricas solamente con las baterías recomendadas.** El uso de otras baterías puede suponer un riesgo de incendio y lesiones.
- c. **Cuando no se utilice la batería, manténgala alejada de objetos de metal, como clips de papel, monedas, llaves, clavos, tornillos y otros pequeños objetos metálicos, ya que pueden provocar una conexión entre terminales.** Si provoca un cortocircuito entre los terminales de la batería, puede ocasionar un incendio o sufrir quemaduras.
- d. **En condiciones extremas, es posible que la batería expulse líquido; evite el contacto. En caso de tocarlo accidentalmente, enjuáguese con agua. Si el líquido entra en contacto con los ojos, solicite asistencia médica.** El líquido que expulsa la batería puede producir irritación o quemaduras.
6. **Servicio técnico**
- a. **Haga reparar su herramienta eléctrica solo por personal técnico autorizado que emplee exclusivamente piezas de repuesto originales.** Solamente así se garantiza la seguridad de la herramienta eléctrica.

**Advertencias de seguridad adicionales para herramientas eléctricas**



**¡Atención!** Advertencias de seguridad adicionales para motosierras compactas.

En este manual de instrucciones se describe el uso para el que se ha diseñado el aparato. No utilice esta herramienta para fines no previstos. Por ejemplo, no la utilice para talar árboles. La utilización de accesorios o la realización de operaciones distintas de las recomendadas en este manual de instrucciones pueden presentar un riesgo de lesiones.

- ◆ Utilice prendas ajustadas y de protección incluido un casco de seguridad con visera o gafas de seguridad, protectores para los oídos, calzado de seguridad antideslizante, pantalones de peto protectores y guantes de piel resistentes.
- ◆ Colóquese siempre en una posición alejada de las ramas que caen.

- ◆ La distancia segura entre una rama que se va a talar y las personas, edificios y otros objetos es como mínimo 2,5 veces la longitud de la rama. Cualquier persona, edificio u objeto que se encuentre a una distancia menor corre el riesgo de resultar golpeado por la rama al caer.
- ◆ Tenga preparado un plan de salida segura para la caída de ramas. Compruebe que no haya obstáculos en la ruta de salida que puedan impedir o dificultar sus movimientos. Recuerde que la hierba mojada y las cortezas recién cortadas son resbaladizas.
- ◆ Asegúrese de que haya otra persona cerca (pero a una distancia segura) en caso de accidente.
- ◆ No utilice la herramienta mientras se encuentre subido en un árbol, en una escalera u otra superficie inestable.
- ◆ Mantenga un apoyo firme sobre el suelo y conserve el equilibrio en todo momento.
- ◆ Sujete la herramienta firmemente con las dos manos mientras el motor esté en marcha.
- ◆ No permita que la cadena en movimiento entre en contacto con ningún objeto en la punta de la barra de guía.
- ◆ Empiece a cortar únicamente mientras la cadena gire a plena velocidad.
- ◆ No intente introducir la motosierra en un corte anterior. Realice siempre un nuevo corte.
- ◆ Permanezca atento a las ramas movedizas y a otras fuerzas que pudieran cerrar un corte o caer sobre la cadena.
- ◆ No intente cortar una rama cuyo diámetro exceda la longitud de corte de la herramienta.
- ◆ Extraiga siempre la batería de la herramienta y coloque el montaje de la cubierta de la cadena cuando la almacene o la transporte.
- ◆ Mantenga la cadena de la motosierra afilada y suficientemente tensa. Compruebe la tensión de la cadena periódicamente.
- ◆ Apague la herramienta, deje que la cadena se detenga y retire la batería del aparato antes de llevar a cabo cualquier ajuste, reparación u operación de mantenimiento.
- ◆ Utilice únicamente piezas de repuesto y accesorios originales.

### Causas y prevención del retroceso de la motosierra

Es posible que se produzca un retroceso cuando la boca o la punta de la barra guía toca un objeto, o cuando la madera se acerca y se engancha con la cadena de sierra durante el corte.

En algunos casos el contacto con la punta puede provocar una reacción invertida y repentina, levantando y bajando la barra guía hacia el usuario.

Es posible que si se pellizca la cadena de sierra en la parte superior de la barra guía, ésta puede retroceder hasta el usuario.

Cualquiera de estas reacciones puede provocar la pérdida del control de la motosierra y resultar en lesiones personales graves. No confíe únicamente en los dispositivos de seguridad incorporados de la motosierra. Como usuario de la motosierra, debe tomar precauciones para evitar accidentes durante el uso de la herramienta.

El retroceso se debe a la utilización inadecuada y/o procedimientos o condiciones de trabajo incorrectos y puede evitarse tomando las precauciones que se detallan a continuación.

- ◆ **Sujete firmemente el mango rodeándolo con los dedos. Con las dos manos en la motosierra, coloque el cuerpo y el brazo de modo que pueda soportar los retrocesos.** Si se toman las precauciones adecuadas, es posible controlar los retrocesos. No desatienda la motosierra.
- ◆ **No se extralimite y no realice cortes a una altura superior al hombro.** De este modo, evitará el contacto accidental con la punta y ayudará a controlar mejor la motosierra en situaciones inesperadas.
- ◆ **Utilice únicamente barras guía y cadenas de repuesto especificadas por el fabricante.** Las barras guía y cadenas de repuesto colocadas de forma incorrecta pueden provocar la ruptura o retrocesos de la cadena.
- ◆ **Siga las instrucciones del fabricante acerca del afilado y mantenimiento de la cadena de sierra.** La disminución de la altura del profundímetro puede resultar en el aumento de retrocesos.

### Recomendaciones de seguridad

- ◆ Recomendamos encarecidamente que los usuarios principiantes obtengan de otro usuario con más experiencia instrucciones prácticas del uso de la motosierra y del equipo de protección. La práctica inicial debe completarse con el serrado de troncos sobre un caballete o un soporte.
- ◆ Recomendamos que antes de transportar la motosierra compruebe que el freno está acoplado.

- ◆ Realice el mantenimiento de la motosierra cuando no la utilice. Cuando guarde la motosierra para no utilizarla durante un cierto tiempo, desmonte primero la cadena de sierra y la barra guía que habrán de conservarse sumergidas en aceite. Guarde todas las piezas de la motosierra en un lugar seco y seguro, fuera del alcance de los niños.
- ◆ Le recomendamos purgar el depósito de aceite antes de guardar la herramienta.
- ◆ Asegúrese de tener los pies firmemente asentados y prepare un plan de salida segura para la caída de árboles o ramas.
- ◆ Use cuñas para ayudar a controlar la tala y evitar que la cadena y la barra guía queden bloqueadas en la madera.
- ◆ Cuidados de la cadena de sierra. Mantenga la cadena de sierra afilada y bien encajada en la barra guía. Asegúrese de que la cadena de sierra y la barra guía estén limpias y bien lubricadas. Mantenga las asas secas, limpias y libres de aceite y grasa.

El retroceso puede ser debido a:

- ◆ Golpear accidentalmente ramas u otros objetos con la punta de la sierra mientras la cadena de sierra está en movimiento.
- ◆ Golpear metales, cemento u otros materiales duros que estén cerca de la madera o enterrados en la misma.
- ◆ Cadena floja o suelta
- ◆ Corte por encima de la altura del hombro.
- ◆ Falta de atención al sujetar o guiar la motosierra mientras se está cortando.
- ◆ Excesos. Mantenga en todo momento un apoyo firme sobre el suelo y el equilibrio y no alargue excesivamente el radio de acción.
- ◆ No inserte la sierra en un corte anterior. Podría provocar un retroceso. Realice un nuevo corte cada vez.
- ◆ Recomendamos encarecidamente que no utilice la motosierra mientras se encuentre en un árbol, una escalera o cualquier otra superficie inestable. Si decidiera hacerlo, queda advertido que estas posiciones son extremadamente peligrosas.
- ◆ Cuando corte una rama que esté en tensión, esté atento a la fuerza de retroceso para que no le golpee cuando se libere la tensión.

Evite cortar:

- ◆ Madera preparada.
- ◆ Dentro del suelo.
- ◆ En alambradas, clavos, etc.
- ◆ Matorrales de poco tamaño y árboles jóvenes ya que el material más ligero puede atrapar la cadena de sierra y golpearle en forma de látigo o desequilibrarle.

- ◆ No use la motosierra a una altura por encima del hombro.
- ◆ Asegúrese de que haya otra persona cerca (pero a una distancia segura) en caso de accidente.
- ◆ Si por alguna razón tiene que tocar la cadena, asegúrese de que la motosierra esté desconectada de la corriente.
- ◆ El ruido de este producto puede superar los 80 dB(A). Le recomendamos, por tanto, que tome las medidas adecuadas para proteger sus oídos.

## La seguridad de terceros

- ◆ Ninguna persona (incluidos los niños) con capacidades físicas, sensoriales o mentales disminuidas, o que carezca de experiencia y conocimientos, debe utilizar este aparato, salvo que haya recibido supervisión o formación con respecto al uso del aparato por parte de una persona responsable de su seguridad.
- ◆ Los niños deben vigilarse en todo momento para garantizar que el aparato no se tome como elemento de juego.

## Vibración

El valor de emisión de vibraciones declarado en el apartado de características técnicas y en la declaración de conformidad se ha calculado según un método de prueba estándar proporcionado por la norma EN 60745 y podrá utilizarse para comparar una herramienta con otra. El valor de emisión de vibraciones declarado también podrá utilizarse en una evaluación preliminar de la exposición.

**¡Atención!** El valor de emisión de vibraciones durante el funcionamiento real de la herramienta eléctrica puede diferir del valor declarado en función de cómo se utilice dicha herramienta. El nivel de las vibraciones puede aumentar por encima del nivel declarado.

- ◆ Al evaluar la exposición a las vibraciones con el fin de determinar las medidas de seguridad que exige la norma 2002/44/CE para proteger a las personas que utilizan periódicamente herramientas eléctricas en sus puestos de trabajo, deberá tenerse en cuenta una estimación de la exposición a las vibraciones, las condiciones de uso reales y el modo de empleo de la herramienta, así como los pasos del ciclo operativo como, por ejemplo, el número de veces que la herramienta se apaga y se desconecta y el tiempo de activación.

## Símbolos de advertencia

En la herramienta aparecen los siguientes símbolos de advertencia:



**¡Atención!** Para reducir el riesgo de lesiones, el usuario debe leer el manual de instrucciones.



Evitar que la sierra quede expuesta a la lluvia y que penetren líquidos en su interior.



Utilice protección para los oídos en todo momento.



Utilice gafas protectoras en todo momento.



Utilice siempre calzado de seguridad antideslizante.



Tener cuidado con los objetos que caen.



Mantener alejadas a otras personas.



A fin de garantizar un funcionamiento seguro continuo, compruebe la tensión de la cadena siguiendo el procedimiento que se describe en este manual cada 10 minutos de uso y ajústela según sea necesario para que disponga de un huelgo de 3 mm. Lubricar la cadena al cabo de 10 minutos de uso.



Dirección de rotación de la cadena.



A fin de garantizar un funcionamiento seguro continuo, la cadena y la barra guía deberán ser reemplazadas únicamente con piezas originales de Black & Decker. Número de cadena de repuesto, A6158; número de barra guía de repuesto 90517720.

## Instrucciones de seguridad adicionales: baterías y cargadores

### Baterías

- ◆ No intente abrirlas bajo ningún concepto.
- ◆ No exponga la batería al agua.
- ◆ No exponga la batería al calor.
- ◆ No guarde la batería en lugares en los que la temperatura pueda superar los 40 °C.
- ◆ Realice la carga únicamente a una temperatura ambiente de entre 10°C y 40°C.
- ◆ Utilice únicamente el cargador suministrado con el aparato o la herramienta para realizar la carga.

La utilización de un cargador incorrecto podría provocar una descarga eléctrica o el recalentamiento de la batería.

- ◆ Para desechar las pilas o las baterías, siga las instrucciones facilitadas en la sección "Protección del medio ambiente".
- ◆ No dañe ni deforme la batería mediante perforaciones o golpes, ya que puede suponer un riesgo de incendio y de lesiones.
- ◆ No cargue baterías dañadas.
- ◆ Es posible que se produzcan fugas en las baterías en condiciones extremas. Cuando observe que se producen fugas en las baterías, limpie cuidadosamente el líquido con un paño. Evite el contacto con la piel.
- ◆ En caso de que se produzca contacto con la piel o los ojos, siga las instrucciones facilitadas a continuación.

**¡Atención!** El líquido de las baterías puede provocar lesiones personales o daños materiales. En caso de que se produzca contacto con la piel, lave la zona con agua inmediatamente. Si se produce enrojecimiento, dolor o irritación, solicite atención médica. En caso de contacto con los ojos, lave la zona inmediatamente con agua limpia y solicite atención médica.

### Cargadores

El cargador se ha diseñado para un voltaje específico. Cada vez que utilice el aparato, debe comprobar que el voltaje de la red eléctrica corresponde con el valor indicado en la placa de características.

**¡Atención!** No intente sustituir el cargador por un enchufe convencional para la red eléctrica.

- ◆ Para cargar la batería del aparato o herramienta, utilice únicamente el cargador Black & Decker suministrado. En caso de intentar cargar otras baterías, estas podrían explotar, lo que podría provocar lesiones y daños personales.
- ◆ Nunca intente cargar baterías no recargables.
- ◆ Si se dañara el cable de alimentación, deberá ser sustituido por el fabricante o por un centro de asistencia técnica autorizado de Black & Decker para evitar cualquier situación de riesgo.
- ◆ No exponga el cargador al agua.
- ◆ No abra el cargador.
- ◆ No aplique ningún dispositivo para medir la resistencia del cargador.
- ◆ El aparato, la herramienta o la batería debe colocarse en una zona bien ventilada durante la carga.

## Etiquetas del cargador

El cargador muestra los siguientes símbolos.



Lea completamente el manual antes de utilizar el aparato.



El cargador se desconecta automáticamente si la temperatura ambiente es demasiado elevada. A consecuencia de esto el cargador quedará inoperativo. La unidad debe desconectarse del suministro de red y llevarse a un centro de servicio técnico autorizado para su reparación.



Realice la carga únicamente a una temperatura ambiente entre los 10°C y 40°C.



La base del cargador está pensada únicamente para utilizarla en espacios interiores.



El cargador está provisto de doble aislamiento, por lo que no requiere una toma de tierra. Cada vez que utilice el aparato, debe comprobar que el voltaje de la red eléctrica corresponde con el valor indicado en la placa de características.

## Seguridad eléctrica Si se daña el cable de



El cargador está provisto de doble aislamiento, por lo que no requiere una toma de tierra. Cada vez que utilice el aparato, debe comprobar que el voltaje de la red eléctrica corresponde con el valor indicado en la placa de características.

**alimentación, deberá ser sustituido por el fabricante o por un centro de asistencia técnica autorizado de Black & Decker para evitar cualquier situación de riesgo.**

**¡Atención!** No intente sustituir el cargador por un enchufe convencional para la red eléctrica.

## Características

1. Botón de encendido/apagado
2. Botón de desbloqueo
3. Tapón del aceite
4. Depósito de aceite
5. Conjunto de protección delantera
6. Conjunto de cubierta de cadena
7. Tornillo de ajuste de la tensión de la cadena
8. Cadena
9. Barra guía
10. Batería
11. Funda de la cadena
12. Alojamiento del cargador
13. Cargador

## Montaje

**¡Atención!** Antes de proceder al montaje, extraiga la batería (10) de la herramienta.

### Inserción y extracción de la batería (fig. A)

- ♦ Para insertar la batería (10), alinéela con el receptáculo de la herramienta. Deslice la batería (10) dentro del receptáculo y empújela hasta que encaje en su sitio.
- ♦ Para extraer la batería (10), pulse el botón de liberación (24) a la vez que tira de la batería (10) para extraerla del receptáculo.

**¡Atención!** A fin de evitar que se ponga en funcionamiento accidentalmente, asegúrese de que la batería no está instalada y que la funda de la cadena (11) está colocada en la cadena de sierra (8) antes de llevar a cabo cualquiera de las operaciones siguientes. No hacerlo podría provocar graves lesiones personales.

### Carga de la batería (fig. B & C)

La batería debe cargarse antes de usarla por primera vez y siempre que no obtenga la suficiente potencia en trabajos que antes efectuaba con facilidad. Cuando cargue la batería por primera vez, o después de un prolongado almacenaje, solo obtendrá una carga del 80%. Después de varios ciclos de carga y descarga, la batería alcanzará su capacidad máxima. Durante la carga, la batería podría calentarse; esto es normal y no indica ningún problema.

**¡Atención!** No cargue la batería a una temperatura ambiente inferior a 10°C o superior a 40°C. Temperatura recomendada de carga: aprox. 24°C.

### Cargador de 8 horas (fig. B)

- ♦ Para cargar la batería (10), extraigala de la herramienta e inserte el alojamiento del cargador (12) en la batería.
- ♦ Enchufe el cargador (13).

La batería (10) estará totalmente cargada en el plazo aproximado de 8 horas. Puede extraerla en cualquier momento o dejarla en el cargador conectado indefinidamente.

### Cargador de 1 hora (fig. C)

- ♦ Para cargar la batería (10), extraigala de la herramienta e insertela en el cargador (23). La batería encajará en el cargador solo en un sentido. No la fuerce. Compruebe que la batería está totalmente insertada en el cargador.
- ♦ Enchufe el cargador.

Compruebe que el indicador rojo de carga esté encendido. Si en su lugar se enciende el indicador verde de fin de carga, entonces la batería está demasiado caliente y no puede cargarse. Si ocurre esto, extraiga la batería del cargador, deje que se enfríe durante 1 hora aproximadamente y vuelva a insertarla.



Después de 1 hora aproximada de carga, el indicador rojo se apagará y se encenderá el indicador verde de carga finalizada. Entonces la batería estará totalmente cargada.

- ◆ Extraiga la batería del cargador.

### Instalación y extracción de la cadena de sierra (figs. D, F y H)



Utilice siempre guantes de protección cuando instale o extraiga la cadena de sierra (8).

La cadena de sierra está afilada y puede provocar cortes cuando la herramienta no está en funcionamiento.

- ◆ Coloque la herramienta sobre una superficie sólida y estable.
- ◆ Afloje los dos tornillos Allen (14) con la llave Allen (21) suministrada. Extraiga los tornillos Allen (14).
- ◆ Quite el montaje de la tapa de la cadena (6).
- ◆ Gire el tornillo de ajuste de la tensión de la cadena (7) en sentido contrario a las agujas del reloj para permitir el retroceso de la barra guía (9) y que se reduzca la tensión en la cadena de sierra (8).
- ◆ Extraiga la cadena de sierra usada (8) de la rueda dentada (15) y la barra guía (9).
- ◆ Coloque la cadena de sierra nueva (8) en la ranura de la barra guía (9) y alrededor de la rueda dentada (15). Asegúrese de que los dientes estén orientados en la dirección correcta y que la flecha de la cadena de sierra (8) coincide con la flecha del montaje de la cubierta de la cadena (6).
- ◆ Asegúrese de que la ranura (17) de la barra guía (9) está situada sobre los pasadores de posición (18) y que el orificio (20) ubicado bajo la ranura queda colocado sobre el pasador de ajuste (19).
- ◆ Instale el montaje de la cubierta de la cadena (6) y los tornillos Allen (14).
- ◆ Apriete los tornillos Allen (14) con la llave Allen (21) suministrada.
- ◆ Ajuste la tensión de la cadena tal como se describe a continuación.

### Comprobación y ajuste de la tensión de la cadena (figs. D y F)

- ◆ Compruebe la tensión de la cadena de sierra. La tensión es correcta cuando la cadena de sierra (8) vuelve a su posición inicial después de separarla 3 mm de la barra guía (9) simplemente con los dedos. No debe haber "comba" alguna entre la barra guía (9) y la cadena de sierra (8) en la parte inferior.

Para ajustar la tensión:

- ◆ Afloje los dos tornillos Allen (14).
- ◆ Gire el tornillo de ajuste de la tensión de la cadena (7) en el sentido de las agujas del reloj.

**¡Atención!** No tense demasiado la cadena, ya que provocará un desgaste excesivo y se reducirá la vida útil de la barra y de la cadena.

- ◆ Una vez ajustada la tensión correcta, apriete los dos tornillos Allen (14).

**¡Atención!** Cuando utilice una cadena de sierra nueva, compruebe la tensión con frecuencia durante las primeras dos horas de uso, ya que una cadena de sierra nueva se expande ligeramente.

### Llenado del depósito de aceite (fig. H)

- ◆ Retire el tapón del aceite (3) y llene el depósito (4) con el aceite para cadenas recomendado. Podrá ver el nivel de aceite en el depósito de aceite (4). Vuelva a colocar el tapón del aceite (3).
- ◆ Apague y compruebe periódicamente el nivel de aceite; si está por debajo de un cuarto de su total, extraiga la batería (10) de la herramienta y rellene el depósito (4) con el aceite correspondiente.

### Engrase de la cadena (fig. H)

Es necesario lubricar la cadena de sierra (8) antes de cada utilización y después de limpiarla, utilizando únicamente el grado correcto de aceite (número de catálogo A6027).

- ◆ Presione el aplicador sobre el tapón del aceite (3) dos veces antes de realizar cada corte para lubricar la cadena de sierra (8), manteniendo el aplicador orientado hacia abajo durante 3 ó 4 segundos.

### Riesgos residuales

El uso de esta herramienta puede producir riesgos residuales adicionales no incluidos en las advertencias de seguridad adjuntas. Estos riesgos se pueden generar por un uso incorrecto, demasiado prolongado, etc.

El cumplimiento de las normas de seguridad correspondientes y el uso de dispositivos de seguridad no evitan ciertos riesgos residuales. Estos riesgos incluyen:

- ◆ Lesiones producidas por el contacto con piezas móviles o giratorias.
- ◆ Lesiones producidas al cambiar cualquier pieza, cuchilla o accesorio.
- ◆ Lesiones producidas al usar una herramienta por un tiempo demasiado prolongado. Si utiliza una herramienta durante periodos de tiempo demasiado prolongados, asegúrese de realizar pausas con frecuencia.
- ◆ Discapacidad auditiva.

- ◆ Riesgos para la salud producidos al respirar el polvo que se genera al usar la herramienta (por ejemplo: en los trabajos con madera, especialmente de roble, haya y tableros de densidad mediana).

## Uso

### Encendido y apagado (fig. H)

**¡Atención!** Deje que la herramienta funcione a su ritmo, no la sobrecargue.

Por razones de seguridad, esta herramienta está equipada con un sistema de dos interruptores. Este sistema impide que la herramienta pueda ponerse en marcha accidentalmente.

### Encendido

- ◆ Pulse el botón de bloqueo (2) y presione al mismo tiempo el conmutador de encendido/apagado (1).
- ◆ Pulse el botón de liberación (2).

### Apagado

- ◆ Suelte el conmutador de encendido/apagado (1).

**¡Atención!** No intente nunca trabar un interruptor en la posición de encendido.

### Poda de árboles (fig. I)

Asegúrese de que no existen ordenanzas o normas municipales que prohíban o controlen la poda de árboles. La poda deben realizarla usuarios experimentados puesto que hay riesgo de que se produzca un retroceso o se enganche la cadena de sierra (8).

Antes de podar deben considerarse las condiciones que afectan la dirección de caída incluyendo:

- ◆ La longitud y el peso de la rama que va a cortar
- ◆ Cualquier putrefacción o estructura de rama pesada y poco común.
- ◆ Árboles circundantes y obstáculos como líneas de teléfono o de tendido eléctrico.
- ◆ La velocidad y dirección del viento.
- ◆ Las ramas que se entrelazan.

El usuario debe considerar el acceso a la rama del árbol y la dirección de caída. Es probable que las ramas oscilen hacia el tronco. Además del usuario, los transeúntes, objetos y propiedades que se encuentren bajo la rama están en peligro.

Para evitar que se astille, el primer corte se realizará hacia arriba con la máxima profundidad a un tercio del diámetro de la rama. El segundo corte se realizará hacia abajo para que coincida con el primero.

### Cortes de pequeña envergadura (fig. J)

Cómo deberá cortar dependerá de la forma en que se sujete el tronco. Use un caballete de aserrar siempre que sea posible. Empiece siempre el corte con la cadena de sierra (8) en funcionamiento y el amortiguador de púas en contacto con la madera. Para completar el corte, use la acción pivotante del amortiguador de púas contra la madera.

Cuando se apoya en toda su longitud:

- ◆ Haga un corte hacia abajo, evitando cortar la tierra para no mellar rápidamente la cadena.

Cuando se apoya en ambos extremos:

- ◆ Primero corte un tercio hacia abajo para evitar que se astille y seguidamente corte de nuevo siguiendo el primer corte,

Cuando se apoya en un extremo:

- ◆ Primero, corte un tercio hacia arriba para evitar que se astille y seguidamente corte hacia abajo para evitar el mismo problema.

Cuando se está en pendiente:

- ◆ Colóquese siempre cuesta arriba.

Cuando se usa un caballete de aserrar (fig. J):

Siempre que sea posible, se recomienda encarecidamente su utilización.

- ◆ Coloque el tronco en posición estable. Corte siempre sobre el exterior de los brazos del caballete de aserrar. Utilice pinzas o correas para asegurar la pieza de trabajo.

### Limpieza, mantenimiento y almacenamiento

La herramienta de Black & Decker ha sido diseñada para que funcione durante un largo periodo de tiempo con un mantenimiento mínimo.

El funcionamiento satisfactorio continuado depende de un cuidado apropiado y una limpieza periódica de la herramienta.

El cargador no requiere de ningún mantenimiento especial excepto la limpieza.

**¡Atención!** Antes de realizar alguna operación de mantenimiento en la herramienta, extraiga la batería. Desenchufe el cargador antes de limpiarlo.

### Colocación de la cubierta de la batería (fig. K)

**¡Atención!** Coloque la cubierta (22) en la batería (10) para transportarla y almacenarla.

### Después de su utilización y antes del almacenamiento

Limpie periódicamente las ranuras de ventilación con un cepillo limpio y seco.

Para limpiar la herramienta, utilice únicamente jabón suave y un paño húmedo. Evite que penetre líquido en el interior de la herramienta y nunca sumerja ninguna parte de la misma en líquido.

- ◆ Extraiga los restos de suciedad con la ayuda de un cepillo de cerdas duras.
- ◆ Lubrique la cadena (8) con aceite.

### Afilado de la cadena de sierra

Si desea conseguir el máximo rendimiento de la herramienta, es importante que mantenga los dientes de la motosierra afilados. Las instrucciones de este procedimiento se encuentran en el paquete del afilador. Con este fin, se recomienda adquirir el kit de afilado de cadena de sierra de Black & Decker, disponible en los talleres de servicio y concesionarios seleccionados de Black & Decker (número de catálogo A6039).

### Sustitución de cadenas de sierra y barras guía desgastadas o dañadas

Las tiendas de minoristas y talleres de servicio de Black & Decker disponen de cadenas de sierra de repuesto (número de producto A6158); las barras guía de repuesto únicamente están disponibles en talleres de servicio de Black & Decker (número de producto 90517720). Para evitar el riesgo de lesiones, utilice cadenas y barras guía originales de Black & Decker. Utilice tan solo los accesorios originales.

### Afilado de la cadena de sierra

Los dientes se mellarán inmediatamente si tocan el suelo o golpean un clavo mientras se está cortando.

### Tensión de la cadena de sierra

Compruebe periódicamente la tensión de la cadena.

### Qué hacer si la motosierra necesita reparación:

La motosierra cumple con los requisitos de seguridad pertinentes. Las reparaciones deben llevarse a cabo por personal cualificado, usando piezas de recambio originales; en caso contrario, podría ocasionarse un considerable peligro al usuario. Le recomendamos guardar este manual en sitio seguro.

### Almacenamiento

Si la herramienta no se va a utilizar durante varios meses, lo ideal es dejar la batería (10) conectada al cargador.

En caso contrario, realice el procedimiento siguiente:

- ◆ Extraiga la batería (10) de la herramienta.
- ◆ Cargue completamente la batería (10).

- ◆ Guarde la herramienta y la batería (10) en un lugar seguro y seco. La temperatura de almacenamiento siempre debe estar comprendida entre +5 °C y +40 °C. Coloque la batería (10) en una superficie nivelada.
- ◆ Antes de utilizar la herramienta después de un período de almacenamiento prolongado, vuelva a cargar completamente la batería (10).

### Protección del medio ambiente



Recogida selectiva. No se debe desechar este producto con el resto de residuos domésticos.

Si llegase el momento en que fuese necesario sustituir su producto Black & Decker o si éste dejase de tener utilidad para usted, no lo deseche junto con los residuos domésticos. Sepárelo para su recogida selectiva.



La recogida selectiva de productos y embalajes usados permite el reciclaje de materiales y su reutilización. La reutilización de materiales reciclados contribuye a evitar la contaminación medioambiental y reduce la demanda de materias primas.

Las normativas municipales deben ofrecer la recogida selectiva de productos eléctricos del hogar, en puntos municipales previstos para ello o a través del distribuidor en el caso en que se adquiera un nuevo producto.

Black & Decker proporciona facilidades para la recogida y reciclado de los productos Black & Decker que hayan llegado al final de su vida útil. Para poder utilizar este servicio, le rogamos entregue el producto a cualquier servicio técnico autorizado que se hará cargo de él en nuestro nombre.

Para consultar la dirección del servicio técnico más cercano póngase en contacto con la oficina local de Black & Decker en la dirección que se indica en este manual. Como alternativa, se puede consultar en Internet, en la dirección siguiente, la lista de servicios técnicos autorizados e información completa sobre nuestros servicios de posventa y contactos: [www.2helpU.com](http://www.2helpU.com).

### Baterías



Las baterías de Black & Decker pueden recargarse muchas veces. Al final de su vida útil, deséchelas respetando el medio ambiente:

- ◆ Agote por completo la batería y, a continuación, extráigala de la herramienta.

- Las baterías de níquel cadmio (NiCd) y de hidruro de níquel metal (NiMH) son reciclables. Llévelas al agente autorizado más cercano o a un centro de reciclaje local.

**Características técnicas**

	<b>GKC1817 H1</b>	<b>GKC1817P H1</b>	<b>GKC1817NM H1</b>
Voltaje	V de CC 18	18	18
Velocidad de la cadena sin carga	min. <sup>-1</sup> 190	190	190
Peso	kg 2	2	2

<b>Batería</b>	<b>A18</b>	<b>A1718</b>	<b>A18NH</b>
<b>Modelo</b>	<b>GKC1817</b>	<b>GKC1817P</b>	<b>GKC1817NM</b>
Voltaje	V de CC 18	18	18
Capacidad	Ah 1,5	1,7	1,5
Peso	kg 0,8	0,8	0,8

<b>Cargador</b>	<b>TPCA-240080*1</b>	<b>TPCA-240080*2</b>	<b>31190*-**</b>	<b>TPCA-180021*1</b>
<b>Modelo</b>	<b>GKC1817, GKC1817P</b>	<b>GKC1817NM</b>	<b>GKC1817, GKC1817P</b>	<b>GKC1817NM</b>
Voltaje de entrada	V de ca 200-240	200-240	230-240	230-240
Voltaje de salida	V de cc 18	18	21,75	21,75
Corriente de salida	mA 800	800	210 / 230	200-240
Tiempo de carga aproximado	h 1	1	8	8
Peso	kg 0,399	0,4	0,365	0,556

Nivel de presión sonora garantizado calculado según la directiva 2000/14/CE:

$L_{pA}$  (presión sonora) 78,6 dB (A), incertidumbre (K) 3 dB (A)

$L_{WA}$  (potencia sonora) 89,6 dB(A), incertidumbre (K) 3 dB(A)

$L_{WA}$  (garantizada) 90 dB (A)

Utilice siempre protección para oídos si la presión sonora excede los 80 dB (A).

Valor cuadrático medio ponderado en frecuencia de la aceleración según EN60745: 4 m/s<sup>2</sup>

## Declaración de conformidad CE

DIRECTIVA DE MÁQUINAS



**GKC1817, GKC1817P, GKC1817NM,**

Black & Decker afirma que los productos descritos en la sección "Características técnicas" cumplen con las normativas siguientes:

2006/42/CE, EN60745-1 y EN60745-2-13

Para más información, póngase en contacto con Black & Decker en la dirección siguiente o consulte el dorso de este manual.

El abajo firmante es responsable de la recopilación del archivo técnico y realiza esta declaración en nombre de Black & Decker.

Kevin Hewitt  
Vice-President Global Engineering  
Black & Decker Europe, 210 Bath Road, Slough,  
Berkshire, SL1 3YD  
Reino Unido  
12-04-2010

## Garantía

Black & Decker confía plenamente en la calidad de sus productos y ofrece una garantía extraordinaria. Esta declaración de garantía es un añadido, y en ningún caso un perjuicio para sus derechos legales. La garantía es válida dentro de los territorios de los Estados miembros de la Unión Europea y de los de la Zona Europea de Libre Comercio.

Si un producto Black & Decker resultara defectuoso debido a materiales o mano de obra defectuosos o a la falta de conformidad, Black & Decker garantiza, dentro de los 24 meses de la fecha de compra, la sustitución de las piezas defectuosas, la reparación de los productos sujetos a un desgaste y rotura razonables o la sustitución de tales productos para garantizar al cliente el mínimo de inconvenientes, a menos que:

- ◆ El producto se haya utilizado con propósitos comerciales, profesionales o de alquiler.
- ◆ El producto se haya sometido a un uso inadecuado o negligente.
- ◆ El producto haya sufrido daños causados por objetos o sustancias extrañas o accidentes.
- ◆ Se hayan realizado reparaciones por parte de personas que no sean del servicio técnico autorizado o personal de servicios de Black & Decker.

Para reclamar en garantía, será necesario que presente la prueba de compra al vendedor o al servicio técnico de reparaciones autorizado. Puede consultar la dirección de su servicio técnico más cercano poniéndose en contacto con la oficina local de Black & Decker en la dirección que se indica en este manual. Como alternativa, puede consultar en Internet la lista de servicios técnicos autorizados e información completa de nuestros servicios de posventa y contactos, en la dirección siguiente: [www.2helpU.com](http://www.2helpU.com)  
Visite el sitio web [www.blackanddecker.eu](http://www.blackanddecker.eu) para registrar su nuevo producto Black & Decker y estar al día sobre productos y ofertas especiales. Encontrará información adicional sobre la marca Black & Decker y nuestra gama de productos en [www.blackanddecker.eu](http://www.blackanddecker.eu).

## Utilização

A electroserra compacta Black & Decker foi concebida para trabalhos ligeiros de poda e corte. Esta ferramenta destina-se apenas a utilização doméstica.

## Instruções de segurança

### Avisos de segurança gerais para ferramentas eléctricas



**Advertência! Leia com atenção todos os avisos de segurança e instruções.** O não cumprimento de todas as instruções pode resultar em choque eléctrico, incêndio e/ou graves lesões.

**Guarde todos os avisos e instruções para consulta futura.**

A expressão “ferramenta eléctrica” utilizada a seguir refere-se a ferramentas eléctricas com ligação à corrente eléctrica (com cabo) ou com bateria (sem fios).

1. **Segurança na área de trabalho**
  - a. **Mantenha a área de trabalho limpa e bem iluminada.** Áreas desarrumadas e mal iluminadas são propícias a acidentes.
  - b. **Não trabalhe com ferramentas eléctricas em áreas com risco de explosão, nas quais se encontrem líquidos, gases ou poeiras inflamáveis.** As ferramentas eléctricas produzem faíscas que podem provocar a ignição de poeiras ou vapores.
  - c. **Mantenha crianças e outras pessoas afastadas durante a utilização da ferramenta eléctrica.** As distrações podem dar origem a que perca o controlo da ferramenta.
2. **Segurança eléctrica**
  - a. **A ficha da ferramenta eléctrica deve caber na tomada. A ficha não deve ser modificada de modo algum. Não utilize quaisquer fichas adaptadoras com ferramentas eléctricas ligadas à terra.** Fichas sem modificações e tomadas adequadas reduzem o risco de choques eléctricos.
  - b. **Evite que o corpo entre em contacto com superfícies ligadas à terra, como tubos, radiadores, fogões e frigoríficos.** Existe um maior risco de choque eléctrico se o seu corpo estiver ligado à terra.
  - c. **As ferramentas eléctricas não podem ser expostas a chuva nem humidade.** A penetração de água na ferramenta eléctrica aumenta o risco de choques eléctricos.
3. **Segurança pessoal**
  - a. **Mantenha-se atento, observe o que está a fazer e seja prudente ao trabalhar com uma ferramenta eléctrica. Não utilize uma ferramenta eléctrica se estiver cansado ou sob a influência de drogas, álcool ou medicamentos.** Um momento de falta de atenção durante a utilização de ferramentas eléctricas poderá causar graves lesões.
  - b. **Utilize equipamento de protecção pessoal. Use sempre óculos de protecção.** Equipamento de protecção como, por exemplo, máscara anti-poeiras, sapatos de segurança anti-derrapantes, capacete de segurança ou protecção auricular, de acordo com o tipo e a aplicação de ferramenta eléctrica, reduz o risco de lesões.
  - c. **Evite arranques involuntários. Certifique-se de que o botão está desligado antes de ligar a ferramenta à corrente eléctrica e/ou à bateria, pegando ou transportando a ferramenta.** Transportar ferramentas eléctricas com o dedo no botão ou ligar ferramentas eléctricas à tomada com o interruptor na posição de ligado pode dar origem a acidentes.
  - d. **Retire eventuais chaves de ajuste ou chaves de fendas, antes de ligar a ferramenta eléctrica.** Uma chave de fendas ou chave de ajuste que se encontre numa peça rotativa da ferramenta eléctrica poderá causar lesões.
  - e. **Não se incline. Mantenha-se sempre bem posicionado e em equilíbrio.** Desta forma, será mais fácil controlar a ferramenta eléctrica em situações inesperadas.
  - f. **Utilize vestuário adequado. Não utilize roupas largas nem jóias. Mantenha o cabelo, roupa e luvas afastados de peças em movimento.** Roupas largas, jóias ou cabelos longos podem ficar presos nas peças em movimento.
4. **Manuseie o cabo com cuidado. O cabo não deve ser utilizado para transportar ou pendurar a ferramenta, nem para puxar a ficha da tomada. Mantenha o cabo afastado de calor, óleo, pontas afiadas ou partes móveis.** Cabos danificados ou torcidos aumentam o risco de choques eléctricos.
- e. **Quando trabalhar com uma ferramenta eléctrica ao ar livre, utilize um cabo de extensão apropriado para esse fim.** A utilização de um cabo apropriado para áreas ao ar livre reduz o risco de choques eléctricos.
- f. **Se for inevitável trabalhar com uma ferramenta eléctrica num local húmido, utilize um Dispositivo de Corrente Residual (RCD).** A utilização de um RCD reduz o risco de choque eléctrico.

- g. **Se for prevista a montagem de dispositivos de extracção e recolha de pó, assegure-se de que estão ligados e que são utilizados de forma correcta.** A utilização destes dispositivos reduz os riscos relacionados com pó.
4. **Utilização e manutenção da ferramenta eléctrica**
- a. **Não sobrecarregue a ferramenta eléctrica. Utilize a ferramenta eléctrica adequada para o trabalho pretendido.** A ferramenta eléctrica correcta realizará o trabalho de forma melhor e mais segura, com a potência com que foi concebida.
- b. **Não utilize a ferramenta eléctrica se o interruptor não puder ser ligado nem desligado.** Qualquer ferramenta eléctrica que não possa ser controlada com o interruptor é perigosa e terá de ser reparada.
- c. **Desligue a ficha da tomada e/ou a bateria da ferramenta eléctrica antes de proceder a ajustes, trocar acessórios ou guardar ferramentas eléctricas.** Estas medidas de prevenção de segurança reduzem o risco de ligação inadvertida da ferramenta eléctrica.
- d. **Mantenha as ferramentas eléctricas que não estiverem a ser utilizadas fora do alcance de crianças. Não permita que a ferramenta eléctrica seja utilizada por pessoas não familiarizadas com a mesma ou que não tenham lido estas instruções.** As ferramentas eléctricas são perigosas se utilizadas por pessoas não qualificadas.
- e. **Efectue a manutenção das ferramentas eléctricas. Verifique se as partes móveis estão desalinhadas ou bloqueadas, se existem peças partidas ou qualquer outra situação que possa afectar o funcionamento das ferramentas eléctricas. As peças danificadas devem ser reparadas antes da utilização da ferramenta eléctrica.** Muitos acidentes têm como causa uma manutenção insuficiente das ferramentas eléctricas.
- f. **Mantenha as ferramentas de corte sempre afiadas e limpas.** As ferramentas de corte com a manutenção adequada e as extremidades afiadas bloqueiam com menos frequência e são mais fáceis de controlar.
- g. **Utilize a ferramenta eléctrica, acessórios e peças de ferramenta de acordo com estas instruções, considerando as condições de trabalho e a tarefa a ser executada.** A utilização da ferramenta eléctrica para fins diferentes dos previstos pode resultar em situações perigosas.

5. **Utilização e manutenção da bateria**
- a. **Carregue apenas com o carregador especificado pelo fabricante.** Um carregador adequado para um tipo de bateria pode dar origem a risco de incêndio quando utilizado com outro tipo de bateria.
- b. **Utilize ferramentas eléctricas apenas com baterias específicas.** A utilização de outras baterias pode dar origem a risco de danos e incêndio.
- c. **Quando uma bateria não estiver a ser utilizada, mantenha-a afastada de outros objectos metálicos, como, por exemplo, clips, moedas, chaves, pregos, parafusos ou outros pequenos objectos metálicos que podem fazer ligação de um terminal a outro.** O curto-circuito de terminais de bateria pode causar queimaduras ou incêndio.
- d. **Sob condições exageradas, a bateria pode verter líquido – evitar contacto. Se ocorrer um contacto accidental, lave em abundância com água. Se o líquido entrar em contacto com os olhos, procure assistência médica.** O líquido vertido da bateria pode causar irritação ou queimaduras.
6. **Reparação**
- a. **A ferramenta eléctrica deverá ser reparada por técnicos qualificados que utilizem apenas peças de substituição iguais.** Isto garantirá a manutenção da segurança da ferramenta eléctrica.

#### Avisos de segurança adicionais para ferramentas eléctricas



**Advertência!** Avisos de segurança adicionais para electroserras compactas.

A utilização prevista para este aparelho está descrita no manual de instruções. Não utilize esta ferramenta para fins não previstos, por exemplo, não a utilize para abater árvores. A utilização de qualquer acessório ou a realização de qualquer operação com este aparelho que não se inclua no presente manual de instruções poderá representar um risco de ferimentos pessoais.

- ◆ Utilize vestuário de protecção justo incluindo capacete de segurança com viseira/óculos, protecção auditiva, calçado de segurança anti-derrapante, jardineira de protecção e luvas de couro resistente.
- ◆ Desvie-se sempre da trajectória de queda de ramos.
- ◆ A distância de segurança entre um ramo a cortar e as pessoas presentes, os edifícios e outros objectos corresponde, no mínimo, a 2 1/2x o comprimento do ramo. Todas as pessoas presentes, edifícios ou objectos que se encontrem dentro desta distância correm o risco de serem atingidos pela queda do ramo.

- ◆ Planeie antecipadamente uma saída segura para escapar a ramos em queda. Certifique-se de que o caminho de saída não tem quaisquer obstáculos que possam impedir ou afectar o movimento. Lembre-se de que a relva molhada e as cascas de árvore recentemente cortadas podem ser escorregadias.
- ◆ Certifique-se de que, em caso de acidente, existe alguém por perto (mas a uma distância de segurança).
- ◆ Não utilize a ferramenta enquanto estiver em cima de uma árvore, escada ou de qualquer outra superfície instável.
- ◆ Mantenha-se sempre bem posicionado e equilibrado.
- ◆ Segure bem a ferramenta com ambas as mãos quando o motor estiver ligado.
- ◆ Não deixe a corrente em movimento entrar em contacto com nenhum outro objecto na ponta da barra de orientação.
- ◆ Comece o corte apenas quando tiver a corrente a deslocar-se na velocidade máxima.
- ◆ Não tente introduzir a serra num corte anterior. Faça sempre um novo corte.
- ◆ Preste atenção ao movimento dos ramos ou de outras forças que possam fechar um corte e exercer pressão ou cair na corrente.
- ◆ Não tente cortar um ramo quando o diâmetro do ramo exceder o comprimento de corte da ferramenta.
- ◆ Retire sempre a bateria da ferramenta e coloque o conjunto de protecção da corrente por cima desta última quando armazenar ou transportar a ferramenta.
- ◆ Mantenha a corrente afiada e com a tensão adequada. Verifique regularmente a tensão.
- ◆ Desligue a ferramenta, deixe que a corrente pare e retire a bateria da ferramenta antes de fazer qualquer ajuste ou operação de manutenção.
- ◆ Certifique-se de que utiliza apenas peças de substituição e acessórios originais.

## Causa e prevenção contra um contragolpe

O contragolpe poderá ocorrer quando a frente ou ponta da barra de direcção tocar num objecto ou quando um pedaço de madeira se fechar e emperrar a correia da serra no corte.

O contacto com a ponta poderá, em alguns casos, causar uma súbita reacção inversa, empurrando a barra de direcção para cima e para trás em direcção ao utilizador.

Prender a correia da serra ao longo da parte superior da barra de direcção poderá empurrar a barra de direcção rapidamente para trás em direcção ao utilizador.

Qualquer uma destas reacções poderá fazer com que perca o controlo da electroserra, o que poderá causar lesões. Não dependa exclusivamente dos dispositivos de segurança integrados na sua electroserra. Como utilizador de uma electroserra, deverá efectuar diversas medidas para manter os seus trabalhos de corte isentos de acidentes ou lesões.

Um contragolpe é o resultado de uma utilização errada da ferramenta e/ou de procedimentos ou condições de utilização incorrectos, podendo ser evitado com medidas de precaução apropriadas, conforme descrito em seguida:

- ◆ **Segure firmemente o punho, com os polegares e os dedos à volta dos punhos da electroserra. Com ambas as mãos na electroserra, posicione o seu corpo e braço de modo a permitir que suporte as forças de um contragolpe.** As forças de um contragolpe podem ser controladas pelo utilizador, se forem tomadas medidas de precauções apropriadas. Não largue a electroserra.
- ◆ **Mantenha sempre o equilíbrio e não corte a uma altura superior à do seu ombro.** Isto ajuda a impedir um contacto involuntário da ponta e permite um melhor controlo da electroserra em situações inesperadas.
- ◆ **Utilize apenas barras de direcção e correias de substituição especificadas pelo fabricante.** Barras de direcção e correias de substituição incorrectas poderão originar a quebra da correia e/ou um contragolpe.
- ◆ **Respeite as instruções de afiação e manutenção do fabricante para a correia da serra.** Diminuir a altura do indicador de profundidade poderá originar um contragolpe maior.

## Recomendações de segurança para a electroserra

- ◆ Recomendamos que os utilizadores principiantes obtenham instruções práticas sobre a utilização da electroserra e equipamento de protecção de um utilizador experiente. A prática inicial deverá ser efectuada serrando lenha num cavalete ou andaime.
- ◆ Quando transportar a electroserra, recomendamos que se certifique de que o travão está accionado.
- ◆ Efectue a manutenção da electroserra quando esta não estiver em utilização. Independentemente da duração do armazenamento da electroserra não o faça sem antes remover a corrente e a barra de direcção que deverão ficar mergulhadas em óleo. Armazene todas as peças da electroserra num local seco, seguro e fora do alcance das crianças.
- ◆ Recomendamos que drene o depósito do óleo antes de armazenar.



- ◆ Tenha atenção com os seus passos e disponibilize uma saída de segurança em caso de queda de árvore ou troncos.
- ◆ Utilize calços para ajudar a controlar o derrubamento e para evitar o bloqueamento da barra de direcção e da correia na madeira.
- ◆ Cuidados a ter com a correia. Mantenha a correia afiada e bem colocada na barra de direcção. Certifique-se de que a correia da serra e a barra de direcção estão limpas e bem oleadas. Mantenha os punhos secos, limpos e sem qualquer óleo ou gordura.

Um contragolpe pode ser causado por:

- ◆ Bater em troncos ou outros objectos acidentalmente com a ponta da serra enquanto a correia estiver em movimento.
- ◆ Bater em metal, cimento ou outro material duro perto da madeira, ou furar a madeira.
- ◆ Uma correia desafiada ou solta.
- ◆ Cortar a uma altura superior à do seu ombro.
- ◆ Falta de atenção ao segurar ou orientar a electroserra durante o corte.
- ◆ Sobre-alcance. Mantenha sempre o equilíbrio.
- ◆ Não tente inserir a serra num corte anterior, uma vez que poderá causar um contragolpe. Faça sempre um corte novo.
- ◆ Recomendamos que não tente trabalhar com a electroserra quando estiver em cima de uma árvore, escada ou superfície instável. Caso contrário, tenha em atenção que estas posições são extremamente perigosas.
- ◆ Ao cortar um tronco que esteja sob tensão, tenha em atenção pois pode fazer ricochete quando a tensão aliviar.

Evite cortar:

- ◆ Madeira preparada.
- ◆ O chão.
- ◆ Arames metálicos, pregos, etc.
- ◆ Galhos de pequenas dimensões e casca de árvores, uma vez que o material fino e delgado poderá tocar na correia da serra e saltar na sua direcção ou fazer com que se desequilibre.
- ◆ Não utilize a ferramenta a uma altura superior à do seu ombro.
- ◆ Certifique-se de que, em caso de acidente, existe alguém por perto (mas a uma distância de segurança).
- ◆ Se, por qualquer motivo, tiver de tocar na correia da serra, certifique-se de que a sua electroserra é desligada da tomada.
- ◆ O ruído produzido por este produto pode ultrapassar os 80 dB(A). Recomendamos que tome as devidas medidas para proteger os ouvidos.

### Segurança de terceiros

- ◆ Este aparelho não deve ser utilizado por pessoas (incluindo crianças) que apresentem capacidades físicas, sensoriais ou mentais reduzidas ou que não possuam os conhecimentos e a experiência necessários, excepto se forem vigiadas e instruídas acerca da utilização do aparelho por uma pessoa responsável pela sua segurança.
- ◆ As crianças deverão ser vigiadas para que não mexam no aparelho.

### Vibração

Os valores de emissão de vibração declarados na secção de dados técnicos e na declaração de conformidade foram medidos de acordo com o método de teste padrão fornecido pela EN 60745 e podem ser utilizados para comparar ferramentas. O valor de emissão de vibração declarado pode ainda ser utilizado numa avaliação preliminar de exposição.

**Advertência!** O valor de emissão de vibração durante a utilização actual da ferramenta eléctrica pode ser diferente do valor declarado, dependendo da forma como a ferramenta é utilizada. O nível de vibração pode aumentar acima do nível indicado.

- ◆ Quando avaliar a exposição da vibração para determinar as medidas de segurança exigidas pela 2002/44/CE para proteger pessoas que utilizem regularmente ferramentas eléctricas, deve ser considerada uma estimativa de exposição de vibração, as actuais condições de utilização e o modo como a ferramenta é utilizada, incluindo ainda todas as partes do ciclo de funcionamento, como os períodos de inactividade e espera da ferramenta, para além do tempo de funcionamento.

### Símbolos de advertência

A ferramenta contém os seguintes símbolos de aviso:



**Advertência!** Para reduzir o risco de lesões, o utilizador deve ler o manual de instruções.



Não utilize a serra sob condições húmidas nem a exponha à chuva.



Utilize sempre protecção para os ouvidos.



Utilize sempre óculos de protecção.



Utilize sempre calçado de segurança antiderrapante.



Esteja atento à queda de objectos.



Mantenha as outras pessoas afastadas.



Para garantir um funcionamento sempre seguro, verifique a tensão da corrente como descrito neste manual, a cada 10 minutos de utilização e ajuste-a até obter uma folga de 3 mm, como indicado. Lubrifique a corrente após cada 10 minutos de utilização.



Direcção de rotação da corrente.



Para garantir um funcionamento sempre seguro, a corrente e a barra de orientação só podem ser substituídas por peças originais da Black & Decker. Número da peça de substituição da corrente A6158 número da peça de substituição da barra de orientação 90517720.

## Instruções de segurança adicionais para baterias e carregadores

### Baterias

- ◆ Nunca tente abrir a bateria por motivo algum.
- ◆ Não exponha a bateria à água.
- ◆ Não exponha a bateria ao calor.
- ◆ Não armazene em locais onde a temperatura possa exceder os 40°C.
- ◆ Carregue apenas a temperaturas ambiente entre 10°C e 40°C.
- ◆ Carregue apenas com o carregador fornecido com o aparelho/ferramenta. A utilização do carregador errado pode resultar em choque eléctrico ou sobreaquecimento da bateria.
- ◆ Quando eliminar as baterias, siga as instruções da secção "Protecção do ambiente".
- ◆ Não danifique a bateria por perfuração ou impacto, pois poderá originar risco de ferimentos e incêndio.
- ◆ Não carregue baterias danificadas.
- ◆ Em condições extremas, pode ocorrer uma fuga nas baterias. Se detectar a fuga de líquido das baterias, limpe o líquido cuidadosamente com um pano. Evite o contacto com a pele.
- ◆ Em caso de contacto com a pele ou com os olhos, siga as instruções seguintes.

**Atenção!** O fluido da bateria pode causar ferimentos pessoais ou danos materiais. Em caso de contacto com a pele, enxágue imediatamente com água. Em caso

de vermelhidão, dor ou irritação, contacte um médico. Em caso de contacto com os olhos, enxágue imediatamente com água limpa e contacte um médico.

### Carregadores

O seu carregador foi concebido para uma tensão específica. Verifique sempre se a tensão de alimentação corresponde à tensão indicada na placa de especificações.

**Atenção!** Nunca tente substituir a unidade do carregador por uma tomada normal de alimentação.

- ◆ Utilize o seu carregador Black & Decker apenas para carregar a bateria do aparelho/ferramenta com que foi fornecido. Outras baterias poderão rebentar, provocando lesões pessoais e danos.
- ◆ Nunca tente carregar baterias não recarregáveis.
- ◆ Se o cabo de alimentação estiver danificado, terá de ser substituído pelo fabricante ou por um centro de assistência autorizado Black & Decker para evitar acidentes.
- ◆ Não exponha o carregador à água.
- ◆ Não abra o carregador.
- ◆ Não manipule o interior do carregador.
- ◆ O aparelho/ferramenta/bateria deve ser colocado numa área com boa ventilação durante o carregamento.

### Etiquetas no carregador

O carregador contém os seguintes símbolos de aviso:



Leia atentamente o manual antes de utilizar o aparelho.



O carregador desliga-se automaticamente se a temperatura se tornar demasiado elevada. Consequentemente o carregador fica inoperável. A base de carga deve ser desligada da alimentação e encaminhada para reparação num centro de serviço autorizado.



Carregue apenas a temperaturas ambiente entre 10°C e 40°C.



Apenas deverá ser feita uma utilização interior da base de carga.



O carregador tem um isolamento duplo; consequentemente, não é necessário um fio de terra. Verifique sempre se a tensão de alimentação corresponde à tensão indicada na placa de características.

## Segurança eléctrica



O carregador tem um isolamento duplo; consequentemente, não é necessário um fio de terra. Verifique sempre se a tensão de alimentação corresponde à tensão indicada na placa de características.

Se o cabo de alimentação estiver danificado, terá de ser substituído pelo fabricante ou por um centro de assistência autorizado Black & Decker para evitar acidentes.

**Advertência!** Nunca tente substituir a unidade do carregador por uma tomada normal de alimentação.

### Funções

1. Interruptor para ligar/desligar
2. Botão de bloqueio
3. Tampão do óleo
4. Depósito do óleo
5. Conjunto do condutor frontal
6. Conjunto da protecção da correia
7. Parafuso de ajuste da tensão da correia
8. Correia
9. Barra de direcção
10. Bateria
11. Protecção da correia
12. Receptáculo do carregador
13. Carregador

## Montagem

**Advertência!** Antes da montagem, retire a bateria (10) da ferramenta.

### Colocar e remover a bateria (fig. A)

- ◆ Para colocar a bateria (10), alinhe-a com o receptáculo na ferramenta. Faça deslizar a bateria (10) para dentro do receptáculo e puxe até que a bateria (10) se encaixe devidamente.
- ◆ Para retirar a bateria (10), pressione o botão de desbloqueio (24) enquanto retira, ao mesmo tempo, a bateria (10) do receptáculo.

**Advertência!** Para prevenir um funcionamento acidental, certifique-se de que a bateria é retirada e de que a protecção da corrente (11) se encontra no sítio, na corrente (8) antes de efectuar as seguintes operações. Se não o fizer, poderão ocorrer ferimentos pessoais graves.

## Carregar a bateria (fig. B & C)

A bateria precisa ser carregada antes da primeira utilização e sempre que falhe em produzir potência suficiente para realizar trabalhos que antes eram facilmente realizados. Quando estiver a carregar a bateria pela primeira vez, ou após armazenamento prolongado, ela aceitará somente 80% da carga. Após vários ciclos de carga e descarga, a bateria atingirá sua capacidade total. A bateria pode ficar quente enquanto estiver a carregar; isto é normal e não indica um problema.

**Advertência!** Não carregue a bateria a temperaturas ambientes inferiores a 10°C ou superiores a 40°C. A temperatura recomendada para carregar e de aproximadamente 24°C.

### Carregador de 8 horas (fig. B)

- ◆ Para carregar a bateria (10), remova-a da ferramenta e insira-a no receptáculo do carregador (12) na bateria.
- ◆ Ligue o carregador (13).

A bateria (10) estará completamente carregada em aproximadamente 8 horas, podendo ser removida a qualquer momento ou deixada indefinidamente no carregador ligado.

### Carregador de 1 hora (fig. C)

- ◆ Para carregar a bateria (10), remova-a da ferramenta e insira-a no carregador (23). A bateria só encaixará no carregador de um modo. Não force. Esteja seguro de que a bateria está completamente encaixada no carregador.
- ◆ Ligue o carregador a corrente eléctrica.

Verifique se o indicador vermelho de carregamento acende. Se, em vez disso, o indicador verde de fim de carregamento se acender, a bateria está muito quente e não pode ser carregada. Se isso acontecer, remova a bateria do carregador, deixe-a arrefecer durante, aproximadamente, 1 hora e insira-a de novo.

Depois de, aproximadamente, 1 hora de carregamento, o indicador vermelho de carga apaga-se e o indicador verde de final de carregamento acende-se. A bateria estará então completamente carregada.

- ◆ Retire a bateria do carregador.

## Instalar e retirar a corrente (fig. D - F e H)



Utilize sempre luvas de protecção quando instalar ou retirar a corrente (8). A corrente é afiada e pode cortar enquanto não está em funcionamento.

- ◆ Coloque a ferramenta numa superfície firme e estável.
- ◆ Desaperte os 2 parafusos Allen (14) com a chave Allen (21) fornecida. Retire os parafusos Allen (14).

- ◆ Retire o conjunto de protecção da corrente (6).
- ◆ Rode o parafuso de ajuste de tensão (7) da corrente, no sentido contrário ao dos ponteiros do relógio para permitir que a barra de orientação (9) recue e reduza a tensão na corrente (8).
- ◆ Retire a corrente (8) antiga da roda dentada (15) e da barra de orientação (9).
- ◆ Coloque a nova corrente (8) na ranhura da barra de orientação (9) e à volta da roda dentada (15). Certifique-se de que os dentes estão posicionados na direcção correcta, fazendo corresponder a seta da corrente (8) com a seta do conjunto de protecção da corrente (6).
- ◆ Certifique-se de que a ranhura (17) na barra de orientação (9) se encontra sobre os pinos de localização (18) e que o orifício (20) abaixo da ranhura se encontra sobre o pino de ajuste (19).
- ◆ Coloque o conjunto de protecção da corrente (6) e os 2 parafusos Allen (14).
- ◆ Aperte os parafusos Allen (14) com a chave Allen (21) fornecida.
- ◆ Ajuste a tensão da corrente, conforme descrito abaixo.

### Verificar e ajustar a tensão da corrente (fig. D e F)

- ◆ Verifique a tensão da corrente. A tensão está correcta quando a corrente (8) volta à sua posição após ter sido puxada em 3 mm da barra de orientação (9) com a suave pressão do polegar e do dedo médio. Não deverá restar qualquer “folga” entre a barra de direcção (9) e a corrente (8) no lado inferior.

Para ajustar a tensão:

- ◆ Desaperte os 2 parafusos Allen (14).
- ◆ Rode o parafuso de ajuste da tensão da corrente (7) no sentido dos ponteiros do relógio.

**Advertência!** Não aplique uma tensão excessiva na corrente, pois isto pode provocar um desgaste excessivo e reduzirá a duração da barra e da corrente.

- ◆ Assim que a tensão da corrente esteja correcta, aperte os 2 parafusos Allen (14).

**Advertência!** Quando a corrente é nova, verifique frequentemente a tensão, durante as duas primeiras horas de utilização, visto que a nova corrente tem tendência a esticar ligeiramente.

### Encher o depósito de óleo (fig. H)

- ◆ Retire o tampão do óleo (3) e encha o depósito (4) com o óleo recomendado para a corrente. Pode ver o nível de óleo no depósito do óleo (4). Volte a colocar o tampão do óleo (3).

- ◆ Desligue e verifique periodicamente o nível do óleo; se estiver menos de um quarto cheio, retire a bateria (10) da ferramenta e volte a encher o depósito (4) com o óleo correcto.

### Olear a corrente (fig. H)

A corrente (8) tem de ser oleada antes de cada utilização e após a limpeza utilizando apenas a classe correcta do óleo (cat. n.º A6027).

- ◆ Lubrifique a corrente (8) pressionando duas vezes sem soltar, o bolbo do tampão do óleo (3), durante 3-4 segundos, antes de efectuar cada corte.

### Riscos residuais

Podem surgir riscos residuais adicionais durante a utilização da ferramenta que poderão não constar nos avisos de segurança incluídos. Estes riscos podem resultar de má utilização, uso prolongado, etc.

Mesmo com a aplicação dos regulamentos de segurança relevantes e com a implementação de dispositivos de segurança, alguns riscos residuais não podem ser evitados. Incluem:

- ◆ ferimentos causados pelo contacto com peças em rotação/movimento.
- ◆ ferimentos causados durante a troca de peças, lâminas ou acessórios.
- ◆ ferimentos causados pela utilização prolongada de uma ferramenta. Quando utilizar uma ferramenta por períodos prolongados, faça intervalos regulares.
- ◆ diminuição da audição.

problemas de saúde causados pela inalação de poeiras resultantes da utilização da ferramenta (exemplo: trabalhos em madeira, especialmente carvalho, faia e MDF).

### Utilização

#### Ligar e desligar (fig. H)

**Advertência!** Deixe a ferramenta funcionar à vontade; não a sobrecarregue.

Para a sua segurança, esta ferramenta está equipada com um sistema de dois interruptores. Este sistema impede que a ferramenta seja ligada acidentalmente.

#### Ligar

- ◆ Pressione o botão de desbloqueio (2) e pressione, em simultâneo, o interruptor para ligar/desligar (1).
- ◆ Liberte o botão de desbloqueio (2).

#### Desligar

- ◆ Solte o interruptor para ligar/desligar (1).

**Advertência!** Nunca tente bloquear um interruptor de ligação na posição de ligado.

### Podar árvores (fig. I)

Certifique-se de que não existem quaisquer leis ou regulamentações locais que impeçam ou regulem a poda das pernas de árvores. A poda apenas deverá ser efectuada por utilizadores experientes, pois existe um maior risco de a corrente (8) ficar presa e efectuar um contra-golpe.

Antes da poda, deverão ser tomadas em consideração as condições que afectam a direcção da queda, incluindo:

- ◆ O comprimento e peso do ramo a cortar.
- ◆ A existência de alguma estrutura ou apodrecimento de perna pesada.
- ◆ Árvores e obstáculos envolventes, incluindo linhas aéreas.
- ◆ A velocidade e direcção do vento.
- ◆ O ramo estar entrelaçado com outros ramos.

O utilizador deverá tomar em consideração o acesso ao ramo da árvore e a direcção da queda. É provável que o ramo da árvore oscile em direcção ao tronco da árvore. Para além do utilizador, as pessoas, objectos e propriedade sob o ramo correm riscos.

Para evitar a criação de lascas, o primeiro corte é efectuado para cima a uma profundidade máxima de um terço do diâmetro do ramo. O segundo corte é efectuado para baixo de modo a encontrar o primeiro.

### Trabalhos ligeiros de corte (fig. J)

O corte depende de como o tronco está apoiado. Utilize um cavalete sempre que possível. Inicie sempre um corte com a corrente (8) em funcionamento e o amortecedor afiado em contacto com a madeira. Para completar o corte, utilize uma acção pivotante do amortecedor afiado contra a madeira.

Quando suportado ao longo de todo o respectivo comprimento:

- ◆ Efectue um corte para baixo, mas evite cortar a terra, pois tal tornará a correia da sua serra romba rapidamente.

Quando apoiado em ambas as extremidades:

- ◆ Em primeiro lugar, corte um terço para evitar que a madeira lasque e, em segundo lugar, efectue um novo corte que vá de encontro ao primeiro,

Quando apoiado numa extremidade:

- ◆ Em primeiro lugar, corte um terço para cima de modo a evitar que a madeira lasque e, em segundo lugar, corte para baixo para evitar que a madeira lasque.

Quando se encontrar num declive:

- ◆ Fique sempre no lado de cima.

Quando utilizar um cavalete (fig. J):

É vivamente recomendado sempre que possível.

- ◆ Coloque o tronco numa posição estável. Corte sempre do lado de fora dos braços do cavalete. Utilize grampos ou correntes para fixar a peça de trabalho.

### Limpeza, manutenção e armazenamento

A sua ferramenta Black & Decker foi concebida para funcionar por um longo período de tempo com uma manutenção mínima.

Um funcionamento contínuo e satisfatório depende de uma manutenção adequada e da limpeza regular da ferramenta.

O seu carregador não necessita de manutenção para além da limpeza regular.

**Advertência!** Antes de ser realizada qualquer operação de manutenção na ferramenta, remova a bateria da ferramenta. Desligue o carregador antes de o limpar.

### Colocar a tampa da bateria (fig. K)

**Advertência!** Coloque a tampa (22) na bateria (10) para transportar e guardar.

### Após a utilização e antes do armazenamento

Limpe regularmente os encaixes de ventilação com uma escova limpa e seca.

Para limpar a ferramenta, utilize apenas sabão neutro e um pano húmido. Nunca deixe nenhum líquido entrar na ferramenta e nunca submerja nenhuma parte da ferramenta em líquido.

- ◆ Remova os detritos utilizando uma escova rígida.
- ◆ Lubrifique a corrente (8) com o óleo.

### Afiar a correia

Se pretende obter os melhores resultados desta ferramenta, é importante manter os dentes da corrente da electroserra afiados. Pode encontrar orientação para este procedimento na embalagem do afiador. Para este fim, recomendamos a compra do kit de afiador da corrente A6039 da Black & Decker (disponível nos representantes de assistência da Black & Decker (cat. n.º A6039).

### Substituir correntes e barras de orientação danificadas e gastas

Estão disponíveis correntes de substituição nos revendedores ou representantes de assistência da Black and Decker ( pt n.º A6158), barras de orientação de substituição apenas nos representantes de assistência da Black and Decker (pt n.º 90517720). Para evitar o risco de ferimento, utilize apenas correntes e barras de orientação originais da Black & Decker. Utilize sempre peças sobresselentes originais.

## Correia afiada

As lâminas da correia da serra ficarão imediatamente rombas se tocarem no solo ou num prego durante o corte.

## Tensão da correia

Verifique regularmente a tensão da correia da serra.

## O que fazer se a sua electroserra necessitar de reparação

A sua ferramenta cumpre com os requisitos de segurança aplicáveis. As reparações devem ser realizadas por uma pessoa qualificada utilizando peças sobresselentes originais. Caso contrário, tal poderá resultar em perigo considerável para o utilizador. Recomendamos que mantenha o manual do utilizador em local seguro.

## Armazenamento

Quando não for utilizar a ferramenta durante vários meses, deixe, de preferência, a bateria (10) ligada ao carregador.

Caso contrário, proceda da seguinte forma:

- ◆ Retire a bateria (10) da ferramenta.
- ◆ Carregue completamente a bateria (10).
- ◆ Guarde a ferramenta e a bateria (10) num local seguro e seco. A temperatura de armazenamento deve situar-se sempre entre +5 °C e +40 °C. Coloque a bateria (10) numa superfície nivelada.
- ◆ Antes de utilizar a ferramenta após um tempo de inactividade prolongado, carregue totalmente a bateria (10) de novo.

## Protecção do ambiente



Recolha separada. Este produto não pode ser eliminado juntamente com os resíduos domésticos normais.

Se, em algum momento, verificar que o seu produto Black & Decker precisa de ser substituído ou que deixou de ter utilidade, não o elimine junto com os resíduos domésticos. Coloque-o disponível para uma recolha separada.



A recolha separada de produtos e embalagens usados permite que os materiais sejam reciclados e novamente utilizados. A reutilização de materiais reciclados ajuda a evitar a poluição ambiental e reduz a procura de matérias-primas.

A legislação local poderá prever a recolha separada de produtos domésticos eléctricos, seja em lixeiras municipais ou através do revendedor quando adquire um produto novo.

A Black & Decker dispõe de instalações para recolha e reciclagem de produtos Black & Decker quando estes atingem o fim da sua vida útil. Para usufruir deste serviço, devolva o produto em qualquer agente de reparação autorizado, que os recolherá em seu nome.

Podem verificar a localização do agente de reparação autorizado mais perto de si, contactando os escritórios locais da Black & Decker através do endereço indicado neste manual. Se preferir, pode encontrar na Internet uma lista de agentes de reparação autorizados Black & Decker, detalhes completos e contactos do serviço pós-venda, no endereço: [www.2helpU.com](http://www.2helpU.com).

## Baterias



As baterias Black & Decker podem ser recarregadas muitas vezes. Quando as baterias chegarem ao fim da sua vida útil, elimine-as de forma segura para o ambiente:

- ◆ Deixe a bateria descarregar completamente e, em seguida, remova-a da ferramenta.
- ◆ As baterias de NiCd e NiMH são recicláveis. Leve as baterias ao seu agente de manutenção autorizado ou a uma estação de reciclagem local.

**Dados técnicos**

	<b>GKC1817 H1</b>	<b>GKC1817P H1</b>	<b>GKC1817NM H1</b>
Tensão	Vdc 18	18	18
Velocidade da corrente sem carga	min <sup>-1</sup> 190	190	190
Peso	kg 2	2	2

<b>Bateria</b>	<b>A18</b>	<b>A1718</b>	<b>A18NH</b>
<b>Modelo</b>	<b>GKC1817</b>	<b>GKC1817P</b>	<b>GKC1817NM</b>
Tensão	Vdc 18	18	18
Capacidade	Ah 1,5	1,7	1,5
Peso	kg 0,8	0,8	0,8

<b>Carregador</b>	<b>TPCA-240080*1</b>	<b>TPCA-240080*2</b>	<b>31190*-**</b>	<b>TPCA-180021*1</b>
<b>Modelo</b>	<b>GKC1817, GKC1817P</b>	<b>GKC1817NM</b>	<b>GKC1817, GKC1817P</b>	<b>GKC1817NM</b>
Voltagem de entrada	Vca 200-240	200-240	230-240	230-240
Voltagem de saída	Vcc 18	18	21,75	21,75
Corrente de saída	mA 800	800	210 / 230	200-240
Tempo de carga aprox.	h 1	1	8	8
Peso	kg 0,399	0,4	0,365	0,556

Nível de pressão sonora garantido, medido de acordo com 2000/14/CE:

$L_{pA}$  (pressão sonora) 78,6 dB(A), imprecisão (K) 3 dB(A)

$L_{WA}$  (potência sonora) 89,6 dB(A), imprecisão (K) 3 dB(A)

$L_{WA}$  (garantido) 90 dB(A)

Utilize sempre protecção dos ouvidos se a pressão sonora exceder 80 dB (A).

Valor de peso da vibração mão/braço de acordo com a EN60745: 4 m/sec<sup>2</sup>

**Declaração de conformidade CE**

DIRECTIVA DE MAQUINARIA

**GKC1817, GKC1817P, GKC1817NM**

A Black & Decker declara que estes produtos descritos em "dados técnicos" estão em conformidade com: 2006/42/CE, EN60745-1, EN60745-2-13

Para obter mais informações, contacte a Black & Decker no endereço indicado ou consulte a parte posterior do manual.

O signatário é responsável pela compilação do ficheiro técnico e efectua esta declaração em nome da Black & Decker.

Kevin Hewitt  
Director de Engenharia de Consumo  
Spennymoor, County Durham DL16 6JG,  
Reino Unido  
12-04-2010

**Garantia**

A Black & Decker confia na qualidade dos seus produtos e oferece uma garantia excelente. Esta declaração de garantia é um complemento dos seus direitos estabelecidos por lei, não os prejudicando de forma alguma. A garantia é válida nos territórios dos Estados Membros da União Europeia e da Associação Europeia de Comércio Livre.

Se um produto Black & Decker se avariar devido a defeitos de material, fabrico ou não conformidade, num período de 24 meses após a data da compra, a Black & Decker garante a substituição das peças defeituosas, a reparação de produtos sujeitos a um desgaste aceitável ou a substituição dos mesmos para garantir o mínimo de inconvenientes ao cliente, excepto se:

- ◆ O produto tiver sido utilizado para fins comerciais, profissionais ou de aluguer.
- ◆ O produto tiver sido submetido a utilização indevida ou descuido.
- ◆ O produto tiver sido danificado por objectos estranhos, substâncias ou acidentes.
- ◆ Tiverem sido tentadas reparações por pessoas que não sejam agentes de reparação autorizados ou técnicos de manutenção da Black & Decker.

Para accionar a garantia, terá de apresentar comprovativos de compra ao vendedor ou a um agente de reparação autorizado. Pode verificar a localização do agente de reparação autorizado mais perto de si, contactando os escritórios locais da Black & Decker através do endereço indicado neste manual. Se preferir, pode encontrar na Internet uma lista de agentes de reparação autorizados Black & Decker, detalhes completos e contactos do serviço pós-venda, no endereço: [www.2helpU.com](http://www.2helpU.com)

Visite o nosso website [www.blackanddecker.eu](http://www.blackanddecker.eu) para registar o novo produto Black & Decker e manter-se actualizado relativamente a novos produtos e ofertas especiais. Pode encontrar mais informações sobre a marca Black & Decker e a nossa gama de produtos em [www.blackanddecker.eu](http://www.blackanddecker.eu).



## Användningsområde

Denna kompakta kedjesåg från Black & Decker är avsedd för lättare sågningsarbeten och beskärning. Verktøget är endast avsett som konsumentverktøg.

## Säkerhetsinstruktioner

### Allmänna säkerhetsanvisningar för elverktøg



**Varning! Läs alla säkerhetsföreskrifter och alla anvisningar.** Om anvisningarna nedan inte följs kan det orsaka elektriska stötter, brand och/eller allvarliga kroppsskador.

### Spara alla säkerhetsföreskrifter och anvisningar för framtida bruk.

Nedan använt begrepp "Elverktøg" hänför sig till nätdrivna elverktøg (med nätsladd) och till batteridrivna elverktøg (sladdlösa).

1. **Säkerhet i arbetsområdet**
  - a. **Håll arbetsplatsen ren och välbelyst.** Oordning på arbetsplatsen och dåligt belyst arbetsområde kan leda till olyckor.
  - b. **Använd inte elverktøget i explosionsfarlig omgivning med brännbara vätskor, gaser eller damm.** Elverktøgen alstrar gnistor som kan antända dammet eller gaserna.
  - c. **Håll under arbetet med elverktøget barn och andra personer på betryggande avstånd.** Om du blir störd kan du förlora kontrollen över elverktøget.
2. **Elektrisk säkerhet**
  - a. **Elverktøgets stickkontakt måste passa till eluttaget. Stickkontakten får absolut inte ändras. Använd inte adapterkontakter tillsammans med jordade elverktøg.** Med oförändrade stickkontakter och passande vägguttag minskar risken för elstötter.
  - b. **Undvik kroppskontakt med jordade ytor som t.ex. rör, värmelement, spisar och kylskåp.** Risken för elektriska stötter ökar om din kropp är jordad.
  - c. **Skydda elverktøget mot regn och väta.** Om vatten tränger in i ett elverktøg ökar risken för elektriska stötter.
  - d. **Hantera inte nätsladden ovarsamt. Använd inte sladden för att bära eller dra elverktøget och inte heller för att dra ut verktøget ur vägguttaget. Håll nätsladden borta från värme, olja, skarpa kanter och rörliga maskindelar.** Risken att du får en elstöt är större om sladdarna är skadade eller tilltrasslade.
  - e. **Använd endast förlängningssladdar som är godkända för utomhusbruk när du arbetar med elverktøg utomhus.** Om du använder en förlängningssladd som är avsedd för utomhusbruk minskar risken för att du ska få en elstöt.
  - f. **Om du måste använda ett elverktøg på en fuktig plats ska du använda jordfelsbrytare.** Jordfelsbrytaren minskar risken för stötter/elchock.
3. **Personlig säkerhet**
  - a. **Var uppmärksam, se på vad du gör och använd elverktøget med förnuft. Använd inte elverktøget när du är trött eller om du är påverkad av droger, alkohol eller mediciner.** Under användning av elverktøg kan även en kort uppmärksamhet leda till allvarliga kroppsskador.
  - b. **Använd skyddsutrustning. Bär alltid skyddsglasögon.** Den personliga skyddsutrustningen, t.ex. dammfiltermask, halkfria säkerhetsskor, hjälm och hörselskydd, reducerar risken för kroppsskada när den används vid rätt tillfällen.
  - c. **Undvik oavsiktlig igångsättning. Kontrollera att strömbrytaren står i avstängt läge innan du ansluter verktøget till elnätet eller sätter i batteriet, samt innan du tar upp eller bär verktøget.** Det kan vara mycket farligt att bära ett elverktøg med fingret på strömbrytaren eller koppla det till nätet respektive sätta i batteriet med strömbrytaren i till-läge.
  - d. **Ta bort alla inställningsverktøg och skruvnycklar innan du startar elverktøget.** Ett verktøg eller en nyckel i en roterande komponent kan orsaka kroppsskada.
  - e. **Sträck dig inte för långt. Se till att du alltid har säker fotfäste och balans.** Därmed har du bättre kontroll över elverktøget i oväntade situationer.
  - f. **Bär lämpliga kläder. Bär inte löst hängande kläder eller smycken. Håll undan hår, kläder och handskar från rörliga delar.** Löst hängande kläder, smycken och långt hår kan fastna i roterande delar.
  - g. **Om elverktøget har dammsugnings- och -uppsamlingsutrustning, kontrollera att anordningarna är rätt monterade och används på korrekt sätt.** Dessa anordningar reducerar riskerna förenade med damm.
4. **Bruk och skötsel av elverktøg**
  - a. **Överbelasta inte elverktøget. Använd rätt elverktøg för det aktuella arbetet.** Med rätt elverktøg kan du arbeta bättre och säkrare med det som verktøget är avsett för.
  - b. **Använd inte elverktøget om det inte går att starta och stänga av det med strömbrytaren.** Ett elverktøg som inte kan startas och stängas av med strömbrytaren är farligt och måste repareras.

- c. **Dra stickproppen ur väggtaget och/eller ta ur batteriet ur elverktyget innan inställningar utförs, tillbehörskedjor byts ut eller elverktyget ställs undan.** Denna skyddsåtgärd förhindrar oavsiktlig inkoppling av elverktyget.
- d. **Förvara elverktygen utom räckhåll för barn. Låt inte elverktyget användas av personer som inte är vana vid det, eller som inte läst denna bruksanvisning.** Elverktyg är farliga om de används av ovana personer.
- e. **Sköt elverktyget omsorgsfullt. Kontrollera att rörliga komponenter fungerar felfritt och inte kärvar, att komponenter inte brustit eller skadats och inget annat föreligger som kan påverka elverktygets funktioner. Om elverktyget är skadat, se till att få det reparerat innan det används.** Många olyckor orsakas av dåligt skötta elverktyg.
- f. **Håll skärverktyg vassa och rena.** Omsorgsfullt skötta skärverktyg med skarpa eggar fastnar inte så lätt och är lättare att hantera.
- g. **Använd elverktyget, tillbehör, insatsverktyg osv. enligt dessa anvisningar och på sätt som föreskrivits för aktuell verktygsmodell. Ta hänsyn till arbetsvillkoren och arbetsmomenten.** Används elverktyget på icke ändamålsenligt sätt kan farliga situationer uppstå.
5. **Användning och skötsel av elverktyg**
- a. **Använd endast den laddare som rekommenderas av tillverkaren.** En laddare som passar till en viss sorts batteri kan orsaka eldsvåda om den används med en annan sort.
- b. **Använd endast elverktyget med batterier som är speciellt avsedda för ändamålet.** Användning av andra batterier kan leda till personskador eller eldsvåda.
- c. **När batteriet inte används ska du hålla det åtskilt från metallföremål som gem, mynt, nycklar, spik, skruvar och andra små metallföremål som kan orsaka kortslutning mellan batteriets poler.** Kortslutning av batteripolerna kan leda till brännskador eller eldsvåda.
- d. **Om batteriet hanteras ovarsamt kan det tränga ut vätska från batteriet; undvik kontakt med vätskan. Om du ändå råkar komma i kontakt med vätskan ska du skölja med vatten. Uppsök läkare om du får vätskan i ögonen.** Batterivätska kan orsaka irritation eller brännskador.
6. **Service**
- a. **Låt endast kvalificerad fackpersonal reparera elverktyget och använd endast originalreservdelar.** Detta garanterar att elverktyget förblir säkert.

## Ytterligare säkerhetsanvisningar för elverktyg



**Varning!** Ytterligare säkerhetsanvisningar för kompakta kedjesågar.

Användningsområdet beskrivs i den här bruksanvisningen. Verktyget får inte användas för andra ändamål än vad det konstruerats för. Använd det t.ex. inte för trädfällning. Användning av andra tillbehör eller tillsatser eller om någon annan åtgärd utförs med det här verktyget än de som rekommenderas i den här bruksanvisningen kan leda till personskador.

- ♦ Använd tätt åtsittande och skyddande kläder och en säkerhetshjälm med visir/skyddsglasögon, hörselskydd, halkfria skodon, skyddande arbetsbyxor och kraftiga läderhandskar.
- ♦ Se alltid till att du befinner dig på säkert avstånd från eventuella fallande grenar.
- ♦ Säkerhetsavståndet mellan grenar som faller ned och personer som står nära, byggnader och andra föremål är minst 2 1/2 gånger längden på grenen. Alla personer, byggnader och föremål inom detta avstånd löper risk att träffas av den fallande grenen.
- ♦ Se i förväg ut en nödutväg du kan använda för att undvika fallande grenar. Se till att vägen är fri från hinder som kan begränsa dina rörelser. Tänk på att vått gräs och nyskalad bark är halt.
- ♦ Se till att ha någon i närheten (på säkert avstånd) i händelse av olycka.
- ♦ Använd inte verktyget när du står uppe i ett träd eller står på en stege eller någon annan instabil yta.
- ♦ Se till att du alltid har bra fotfäste och säker balans.
- ♦ Håll sägen stadigt med båda händerna när motorn är i gång.
- ♦ Låt inte den löpande kedjan komma emot något föremål vid spetsen av svärdet.
- ♦ Sågning får inte påbörjas förrän kedjan går med full fart.
- ♦ Försök inte att såga i en gammal skåra. Börja alltid med en ny skåra.
- ♦ Se upp för korsande grenar eller annat som kan stoppa sågningen och nypa fast eller falla ned på kedjan.
- ♦ Försök inte att såga av en gren vars diameter är större än längden på verktygets sågande del.
- ♦ Avlägsna alltid batteriet från verktyget och placera kedjeskyddet över kedjan vid förvaring eller transport av verktyget.
- ♦ Se till att kedjan är välslipad och korrekt spänd. Kontrollera kedjespänningen regelbundet.
- ♦ Stäng alltid av verktyget, låt kedjan stanna och avlägsna batteriet från verktyget innan du gör justeringar eller utför service eller underhåll.
- ♦ Använd endast originalreservdelar och -tillbehör.

### Orsaker till kast och hur man förebygger dessa

Kast kan uppstå om svärdets nos eller spets kommer i kontakt med ett föremål, eller om träet sluter sig och nyper kedjan i skåran.

Spetskontakt kan i vissa fall orsaka en plötslig omvänd reaktion så att svärdet slås uppåt och bakåt mot användaren.

Om kedjan nyps längs svärdets översida kan svärdet hastigt slungas bakåt mot användaren.

Båda dessa reaktioner kan få dig att tappa kontrollen över sågen, vilket kan leda till allvarlig personskada. Förlita dig inte enbart på sågens inbyggda säkerhetsanordningar.

Du bör vidta flera skyddsåtgärder för att undvika olyckshändelser och skador när du använder sågen.

Kast uppstår till följd av felaktig användning och/eller hantering av sågen. Detta kan undvikas genom de skyddsåtgärder som beskrivs nedan:

- ◆ **Se till att du har ett fast grepp med tummarna och fingrarna ordentligt omslutna om handtagen. Håll sågen med båda händerna och inta en kropps- och armställning så att du kan stå emot kraften från eventuella kast.** Kraften i kast kan bemästras av användaren om tillämpliga skyddsåtgärder har vidtagits. Släpp inte sågen.
- ◆ **Sträck dig inte för långt, och säga aldrig ovanför din axelhöjd.** Det minskar risken för oavsiktlig spetskontakt och ger dig bättre kontroll över sågen i oväntade situationer.
- ◆ **Använd endast svärd och kedjor som anges av tillverkaren när du byter ut dem.** Byte till fel svärd eller kedja kan medföra att kedjan går av eller att kast uppstår.
- ◆ **Följ tillverkarens anvisningar för slipning och underhåll av kedjan.** Minskning av riktskårets djup kan medföra ökat kast.

### Säkerhetsrekommendationer för kedjesågen

- ◆ Vi rekommenderar starkt att ovana användare får praktiska instruktioner från en erfaren användare om hur sågen och skyddsutrustningen ska användas. Den inledande övningen bör vara att säga ved på en sågbock eller i en hållare.
- ◆ Vi rekommenderar att bromsen är tillslagen när du bär kedjesågen.
- ◆ Sköt om kedjesågen när den inte används. Lägg inte undan sågen under längre tid utan att först ta bort kedjan och svärdet, som bör förvaras i olja. Förvara sågens delar på ett torrt och säkert ställe, utom räckhåll för barn.
- ◆ Vi rekommenderar att du tömmer oljebehållaren innan sågen läggs i förvar.

- ◆ Se till att du har ordentligt fotfäste och förbered en flyktväg från fallande träd eller grenar.
- ◆ Använd kilar för att få kontroll över fällningen och för att undvika att svärdet och sågkedjan kläms fast i skåran.
- ◆ Skötsel av kedjan. Kedjan skall vara vass och tätt spänd mot svärdet. Se till att kedjan och svärdet är rena och väl inoljade. Håll handtagen torra, rena och fria från olja och fett.

Kast kan orsakas av:

- ◆ Att man oavsiktligt slår i grenar och andra föremål medan kedjan är i rörelse.
- ◆ Att man stöter på metall, cement eller annat hårt material i närheten av eller inuti träet.
- ◆ Att kedjan är slö eller lös.
- ◆ Att man arbetar ovanför axelhöjd.
- ◆ Bristande uppmärksamhet medan man håller eller styr sågen under arbete.
- ◆ Att man sträcker sig för långt. Se till att du alltid har säkert fotfäste och balans och inte sträcker dig för långt.
- ◆ För inte in sågen i en gammal skåra. Det kan orsaka kast. Börja alltid med ett nytt skår.
- ◆ Vi rekommenderar starkt att du inte använder kedjesågen när du befinner dig uppe i ett träd, på en stege eller på något annat ostadigt underlag. Om du ändå använder sågen under dessa omständigheter, vill vi påpeka att det är mycket farligt.
- ◆ När du kapar en spänd gren, måste du vara beredd på att den kan fjädra upp och träffa dig när spänningen släpper.

Undvik att säga i:

- ◆ Förbehandlat timmer.
- ◆ Marken.
- ◆ Gunnebostängsel, spik m.m.
- ◆ I små buskar och unga träd eftersom tunna grenar kan fastna i kedjan och slå tillbaka mot dig eller få dig att tappa balansen.
- ◆ Använd inte kedjesågen ovanför axelhöjd.
- ◆ Se till att ha någon i närheten (på säkert avstånd) i händelse av olycka.
- ◆ Om du av någon anledning måste röra kedjan, se först till att sågen inte är ansluten till eluttaget.
- ◆ Detta verktyg kan nå en bullernivå över 80 dB(A). Vi rekommenderar därför att du vidtar lämpliga åtgärder för att skydda din hörsel.

## Säkerhet för andra

- ◆ Apparaten ska inte användas av personer (inklusive barn) med nedsatt fysisk eller psykisk förmåga eller bristande erfarenhet eller kunskap om de inte får vägledning och övervakas av en person som ansvarar för deras säkerhet.
- ◆ Barn ska hållas under uppsikt så att de inte leker med apparaten.

## Vibrationer

De uppgivna vibrationsvärdena som anges i avsnitten Tekniska data och EU-förklaring om överensstämmelse har uppmätts i enlighet med en standardtestmetod föreskriven i EN 60745 och kan användas för jämförelse med andra verktyg. Det uppgivna vibrationsvärdet kan även användas för en preliminär bedömning av exponering.

**Varning!** Vibrationsvärdet under faktisk användning av elverktyget kan skilja sig från det uppgivna värdet beroende på hur verktyget används. Vibrationsnivån kan överstiga den uppgivna nivån.

- ◆ Vid uppskattningar av exponering för vibrationer i syfte att bedöma vilka säkerhetsåtgärder som är nödvändiga enligt 2002/44/EG för att skydda personer som regelbundet använder elverktyg i arbetet ska man utgå från de faktiska omständigheter under vilka elverktyget används och sättet på vilket det används. Bedömningen ska även ta hänsyn till alla moment i arbetscykeln, t.ex. när verktyget är avstängt och när det går på tomgång såväl som när det faktiskt används.

## Varningssymboler

Följande varningssymboler finns på sågen:



**Varning!** Läs bruksanvisningen innan du använder sågen för att minska risken för olyckor.



Använd inte sågen i väta och utsätt den inte för regn.



Bär alltid hörselskydd.



Bär alltid skyddsglasögon.



Bär alltid halkfria säkerhetsskor.



Se upp för fallande föremål.



Håll åskådare borta.



Kontrollera var tionde minut att kedjan är ordentligt spänd (se anvisningarna i denna bruksanvisning) och justera den inom en marginal på 3 mm efter behov. Smörj kedjan var 10:e minut vid användning.



Kedjans rotationsriktning.



Kedjan och svärdet bör endast ersättas med originaldelar från Black & Decker för att garantera fortsatt säker drift. Kedja med reservdelsnummer A6158 och svärd med reservdelsnummer 90517720.

## Ytterligare säkerhetsinstruktioner för batterier och laddare

### Batterier

- ◆ Försök aldrig att öppna batterierna.
- ◆ Utsätt inte batteriet för vatten.
- ◆ Utsätt inte batteriet för värme.
- ◆ Förvara inte apparaten på platser där temperaturen kan bli högre än 40°C.
- ◆ Ladda endast vid lufttemperaturer mellan 10°C och 40°C.
- ◆ Ladda endast med hjälp av laddaren som medföljer apparaten. Användning av fel laddare kan resultera i en elektrisk stöt eller att batteriet överhettas.
- ◆ Följ instruktionerna i avsnittet "Miljö" när du gör dig av med batterier.
- ◆ Skydda batteriet från skador/deformationer i form av slag och stötar eftersom det kan leda till personskador eller eldsvåda.
- ◆ Ladda inte skadade batterier.
- ◆ Under extrema förhållanden kan batterierna läcka. Om det finns vätska på batterierna ska du torka bort vätskan försiktigt med en trasa. Undvik hudkontakt.
- ◆ Vid kontakt med hud eller ögon, följ instruktionerna nedan.

**Varning!** Batterivätskan kan orsaka person- eller materialskador. Vid hudkontakt, skölj genast med vatten. Vid rodnader, smärta eller irritation ska läkare uppsökas. Vid kontakt med ögon, skölj genast med rent vatten, och uppsök läkare.

### Laddare

Laddaren är avsedd för en viss spänning. Kontrollera alltid att nätspänningen överensstämmer med värdet på typskylten.

**Varning!** Försök aldrig byta ut kontakten till laddaren mot en vanlig kontakt.

- ◆ Använd laddaren från Black & Decker endast för att ladda batteriet i den apparat som laddaren levererades med. Andra batterier kan spricka och orsaka personskador och andra skador.
- ◆ Försök aldrig att ladda ej uppladdningsbara batterier.

- ◆ Om nätsladden är skadad måste den för undvikande av fara bytas ut av tillverkaren eller en auktoriserad Black & Decker-verkstad.
- ◆ Utsätt inte laddaren för vatten.
- ◆ Öppna inte laddaren.
- ◆ Gör ingen åverkan på laddaren.
- ◆ Apparaten/verkyget/batteriet ska placeras på en plats med god ventilation vid laddning.

### Etiketter på laddaren

Följande symboler finns på laddaren:



Läs bruksanvisningen innan du använder apparaten.



Laddaren stängs av automatiskt om temperaturen blir för hög. Den går då inte längre att använda. Laddaren måste kopplas från eluttaget och tas till en auktoriserad verkstad för reparation.



Ladda endast vid lufttemperaturer mellan 10°C och 40°C.



Laddaren är endast avsedd för användning inomhus.



Eftersom laddaren är dubbelisolerad behövs ingen jordledare. Kontrollera alltid att nätspänningen överensstämmer med värdet på typskylten.

### Elsäkerhet



Eftersom laddaren är dubbelisolerad behövs ingen jordledare. Kontrollera alltid att nätspänningen överensstämmer med värdet på typskylten.

Om nätsladden är skadad måste den för undvikande av fara bytas ut av tillverkaren eller en auktoriserad Black & Decker-verkstad.

**Varning!** Försök aldrig byta ut kontakten till laddaren mot en vanlig kontakt.

### Funktioner

1. Strömbrytare
2. Spärrknapp
3. Oljelock
4. Oljebehållare
5. Kastskydd
6. Kedjeskydd
7. Justeringskruv för kedjans spänning
8. Kedja
9. Svärd
10. Batteri
11. Svärdskydd
12. Laddningsenhet
13. Laddare

### Montering

**Varning!** Ta ur batteriet (10) innan du sätter ihop verkyget.

#### Montera och ta bort batteriet (fig. A)

- ◆ Sätt i batteriet (10) genom att placera det i linje med kontakten på verkyget. Skjut in batteriet (10) på dess plats och tryck tills batteriet (10) snäpper på plats.
- ◆ Ta ur batteriet (10) genom att trycka på lösgörningsknappen (24) samtidigt som du drar ut batteriet (10) från dess plats.

**Varning!** För att undvika skador till följd av oavsiktlig start bör du kontrollera att batteriet har avlägsnats och att kedjeskyddet (11) sitter på sågkedjan (8) innan du gör nedanstående. Försummelse av ovanstående rekommendationer kan leda till allvarliga personskador.

#### Laddning av batteriet (fig. B & C)

Batteriet måste laddas innan det används första gången och alltid när verkyget inte längre fungerar effektivt. När batteriet laddas första gången eller efter en längre tids förvaring är laddningskapaciteten endast 80%. Efter flera uppladdningsoch urladdningscyklar uppnar batteriet full kapacitet. Batteriet kan bli varmt under laddningen; detta är en normal foreteelse och indikerar inte något fel.

**Varning!** Ladda inte batteriet om lufttemperaturen är lagre än 10°C eller hogre än 40°C. Rekommenderad temperatur vid laddning är cirka 24°C.

#### 8 timmes laddare (fig. B)

- ◆ För att ladda batteriet (10) tar du ut det ur verkyget och skjuter laddningsenheten (12) på batteriet.
- ◆ Natanslut laddaren (13).

Batteriet (10) är fulladdat efter cirka 8 timmar. Det kan antingen tas ut när som helst eller lamnas kvar i den anslutna laddaren under obegransad tid.

**1 timmes laddare (fig. C)**

- ◆ När batteriet (10) skall laddas tas det ur verktyget och placeras i laddaren (23). Det finns bara ett sätt att sätta batteriet i laddaren. Bruka inte vald. Kontrollera att batteriet sitter ordentligt i laddaren.
- ◆ Sätt in laddarens kontakt i vagguttaget.

Kontrollera att den röda laddningsindikatorn tands. Om den gröna laddningsindikatorn lyser istället betyder det att batteriet är för varmt och inte kan laddas. Om detta händer ska batteriet tas ut ur laddaren och svalna under cirka 1 timma, varefter det placeras i laddaren igen.

Efter cirka 1 timmes laddning slacks den röda laddningsindikatorn och tands den gröna indikatorn för avslutad laddning. Batteriet är nu fulladdat.

- ◆ Tag ut batteriet ur laddaren.

**Montera eller ta bort sågkedjan (fig. D - F och H)**

Använd alltid skyddshandskar vid installation eller borttagning av sågkedjan (8). Sågkedjan är vass och du kan skära dig på den även när den står stilla.

- ◆ Lägg verktyget på ett stabilt och stadigt underlag.
- ◆ Lossa de två insexskruvarna (14) med den medföljande insexnyckeln (21). Avlägsna insexskruvarna (14).
- ◆ Ta av kedjeskyddet (6).
- ◆ Vrid justeringskruven för kedjespänning (7) moturs så att svärdet (9) dras tillbaka och spänningen på sågkedjan (8) minskas.
- ◆ Ta bort den gamla sågkedjan (8) från kugghjulet (15) och svärdet (9).
- ◆ Placera den nya sågkedjan (8) i spåret på svärdet (9) och sedan över kugghjulet (15). Se till att tänderna riktas åt rätt håll genom att matcha pilen på sågkedjan (8) med pilen på kedjeskyddet (6).
- ◆ Se till att öppningen (17) på svärdet (9) ligger ovanför styrstiften (18) och att hålet (20) nedanför öppningen ligger ovanför justeringsstiftet (19).
- ◆ Sätt på kedjeskyddet (6) och de två insexskruvarna (14).
- ◆ Dra åt insexskruvarna (14) med den medföljande insexnyckeln (21).
- ◆ Justera kedjespänningen enligt anvisningarna nedan.

**Kontroll och justering av kedjespänning (fig. D och F)**

- ◆ Kontrollera kedjespänningen. Kedjan (8) är rätt spänd när den snäpper tillbaka efter att ha dragits ut 3 mm från svärdet (9) med lätt kraft från långfingret och tummen. Sågkedjan (8) ska inte 'hänga ned' från svärdet (9) på undersidan.

Justera spänningen:

- ◆ Lossa de två insexskruvarna (14).

- ◆ Vrid justeringskruven för kedjespänning (7) medurs.
- Varning!** Spänn inte kedjan för hårt eftersom det ger ökad förlitning och kommer att minska svärdets och kedjans livslängd.

- ◆ Dra åt insexskruvarna (14) när kedjan är rätt spänd.
- Varning!** Kontrollera kedjespänningen ofta under de två första timmarna när sågen används första gången, eftersom en ny kedja sträcks något.

**Fylla på oljebehållaren (fig. H)**

- ◆ Ta av oljelocket (3) och fyll på behållaren (4) med den rekommenderade kedjeoljan. Du kan se oljenivån i oljebehållaren (4). Sätt på oljelocket (3).
- ◆ Stång av sågen med jämna mellanrum och kontrollera oljenivån. Om nivån är under en fjärdedel bör du avlägsna batteriet (10) och fylla på behållaren (4) med rekommenderad olja.

**Oljning av kedjan (fig. H)**

Sågkedjan (8) måste smörjas innan varje användning samt efter rengöring med rätt sorts olja (kat.nr. A6027).

- ◆ Smörj sågkedjan (8) genom att trycka på upphöjningen på oljelocket (3) två gånger innan varje sågning och håll den nedtryckt under 3 - 4 sekunder.

**Övriga risker**

Ytterligare risker som inte finns med i de bifogade säkerhetsföreskrifterna kan uppstå när verktyget används. Dessa risker kan uppstå vid felaktig eller långvarig användning, etc.

Även om alla relevanta säkerhetsföreskrifter följs och säkerhetsanordningar används kan vissa ytterligare risker inte undvikas. Dessa innefattar:

- ◆ Skador orsakade av att roterande/rörliga delar vidrörs.
- ◆ Skador som uppstår vid byte av delar, blad eller tillbehör.
- ◆ Skador som orsakas av långvarig användning av ett verktyg. Se till att ta regelbundna raster när du använder ett verktyg under en längre period.
- ◆ Skador på hörseln.
- ◆ Hälsosfaror orsakade av inandning av damm när verktyget används (exempel: arbete med trä, särskilt ek, bok och MDF).

**Användning****Starta och stoppa verktyget (fig. H)**

**Varning!** Låt verktyget arbeta i sin egen takt, överbelasta det inte.

Sågen är för din säkerhet utrustad med dubbelt strömbrytarsystem. Det förhindrar att sågen kan startas av misstag.

**Starta apparaten**

- ◆ Tryck på låsknappen (2) och tryck samtidigt på strömbrytaren (1).
- ◆ Släpp låsknappen (2).

**Stänga av apparaten**

- ◆ Släpp strömbrytaren (1).

**Varning!** Försök aldrig låsa eller fixera strömbrytaren i påslaget läge.

**Beskära träd (fig. I)**

Ta reda på vad det finns för lokala bestämmelser för beskärning av träd. Beskärning bör endast utföras av erfarna användare eftersom det finns ökad risk för att sågkedjan (8) nyper och orsakar kast.

Innan beskärningen påbörjas bör de omständigheter som påverkar fallriktningen beaktas, t.ex:

- ◆ Längden och vikten på grenen som skall beskäras.
- ◆ Alla ovanligt kraftiga eller murkna grenar.
- ◆ Kringstående träd och hinder, även ovanför marken.
- ◆ Vindhastighet och -riktning.
- ◆ Om grenen är inflätad med andra grenar.

Användaren måste beakta hur grenen nås och dess fallriktning. Grenen kan röra sig in mot trädstammen. Utöver användaren löper även kringstående personer, föremål och egendom nedanför grenen risk att träffas.

För att undvika att grenen flisar sig görs det första skäret i riktning uppåt och med ett djup på högst 1/3 av grenens diameter. Det andra skäret görs nedåt så att det möter det första.

**Lättare sågning (fig. J)**

Hur du ska kapa beror på vad stocken vilar på. Använd om möjligt sågbock. Börja alltid såga med kedjan (8) i gång och med barkstödet liggande mot stocken. Avsluta skäret med en vridrörelse med barkstödet mot stocken.

Om stocken vilar på stöd utmed hela sin längd:

- ◆ Gör ett nedåtriktat skär, men undvik att såga i marken eftersom sågen då snabbt förlorar skärpa.

Om stocken vilar på stöd i bägge ändrar:

- ◆ Gör först ett skär nedåt en tredjedel för att undvika klyvning, och sedan ett skär som möter det första.

Om stocken vilar på stöd i ena änden:

- ◆ Gör först ett skär uppåt en tredjedel för att undvika klyvning, och sedan ett skär nedåt.

Med stocken lutande:

- ◆ Stå alltid vid den övre änden.

Om du använder sågbock (fig. I):

Om möjligt är detta det bästa sättet.

- ◆ Lägg stocken stadigt. Såga alltid utanför bokens ben. Använd tvingar eller remmar för att hålla stocken på plats.

**Rengöring, underhåll och förvaring**

Detta Black & Decker-verktyg har tillverkats för att fungera under lång tid med ett minimum av underhåll.

Med rätt underhåll och regelbunden rengöring behåller verktyget sina prestanda.

Laddaren behöver inget annat underhåll än regelbunden rengöring.

**Varning!** Ta ut batteriet ur verktyget innan du utför något underhåll på verktyget. Dra ur sladden till laddaren innan du rengör den.

**Montera batteriskyddet (fig. K)**

**Varning!** Sätt skyddet (22) på batteriet (10) vid transport och förvaring.

**Efter användning och innan förvaring**

Rengör regelbundet ventilationsöppningen med en ren och torr målarborste.

Använd bara mild tvål och dammtrasa för att rengöra sågen. Låt aldrig någon vätska komma in i sågen och doppa den aldrig i någon vätska.

- ◆ Avlägsna skräp med en hård borste.
- ◆ Smörj kedjan (8) med olja.

**Slipning av kedjan**

För att verktyget ska fungera så bra som möjligt är det viktigt att hålla sågtänderna vassa. Anvisningar återfinns på slipsats förpackning. Vi rekommenderar att du köper en slipsats för kedjesågar från Black & Decker som finns att köpa hos auktoriserade Black & Decker-verkstäder (kat. nr A6039).

**Byta utslitna eller skadade kedjor och svärd.**

Nya kedjor finns hos återförsäljare och Black & Decker-verkstäder (art. nr A6158), svärd går endast att köpa via Black & Decker-verkstäder (art. nr 90517720). Använd alltid Black & Deckers originalkedjor och -svärd för att undvika risk för skador. Använd alltid originaldelar.

**Kedjans skärpa**

Sågtänderna blir genast slöa om de kommer i kontakt med marken eller en spik under sågning.

**Kedjespänning**

Kontrollera kedjespänningen regelbundet.

## Om kedjesågen behöver repareras.

Din kedjesåg uppfyller alla relevanta säkerhetskrav. Reparationer ska utföras av kvalificerade personer och endast med originaldelar, annars kan användaren utsättas för stor fara. Behåll den här bruksanvisningen och förvara den så att den inte kommer bort.

## Förvaring

Du bör låta batteriet (10) sitta kvar i laddaren när sågen inte ska användas under längre tid (månader).

I annat fall gör du följande:

- ◆ Ta ur batteriet (10) från verktyget.
- ◆ Ladda batteriet fullt (10).
- ◆ Förvara verktyget och batteriet (10) på ett säkert och torrt ställe. Temperaturen i förvaringsutrymmet måste alltid ligga mellan +5 °C och +40 °C. Placera batteriet (10) på ett jämnt underlag.
- ◆ Ladda batteriet (10) fullt innan du använder verktyget efter att det legat oanvänt under en längre tid.

## Miljö



Separat insamling. Produkten får inte kastas i hushållssoporna.

Om din Black & Decker-produkt skulle behöva ersättas, eller om du inte längre har behov av den, ska du inte slänga den tillsammans med hushållsavfallet. Se till att produkten hämtas separat, eller lämna själv in den på en sopstation.



Insamling av uttjänta produkter och förpackningsmaterial gör att material kan återanvändas. Användning av återvunnet material minskar föroreningar av miljön och behovet av råmaterial.

Lokala föreskrifter kan kräva separat insamling av elprodukter från hushållen, vid kommunala samlingsplatser eller hos återförsäljaren när du köper en ny produkt.

Black & Decker samlar in och återvinner uttjänta Black & Decker-produkter. Om du vill utnyttja denna tjänst återlämnar du produkten till en auktoriserad verkstad, som samlar in den för vår räkning.

För information om närmaste auktoriserade verkstad, kontakta det lokala Black & Decker-kontoret på den adress som är angiven i bruksanvisningen. En lista över alla auktoriserade verkstäder samt servicevillkor finns även tillgänglig på Internet: [www.2helpU.com](http://www.2helpU.com).

## Batterier



Batterier från Black & Decker kan laddas om många gånger. Kassera batterierna på ett miljövänligt sätt när de är förbrukade:

- ◆ Låt batteriet laddas ur helt och ta sedan ut det ur verktyget.
- ◆ Nickelkadmium- (NiCd) och nickelmetallhydridbatterier (NiMH) kan återvinnas. Ta med dem till en auktoriserad verkstad eller en återvinningsstation.



**Tekniska data**

	<b>GKC1817 H1</b>	<b>GKC1817P H1</b>	<b>GKC1817NM H1</b>
Spänning	Vdc 18	18	18
Kedjehastighet utan belastning	min <sup>-1</sup> 190	190	190
Vikt	kg 2	2	2

<b>Batteri</b>	<b>A18</b>	<b>A1718</b>	<b>A18NH</b>
<b>Modell</b>	<b>GKC1817</b>	<b>GKC1817P</b>	<b>GKC1817NM</b>
Spänning	Vdc 18	18	18
Kapacitet	Ah 1,5	1,7	1,5
Vikt	kg 0,8	0,8	0,8

<b>Laddare</b>	<b>TPCA-240080*1</b>	<b>TPCA-240080*2</b>	<b>31190*.**</b>	<b>TPCA-180021*1</b>
<b>Modell</b>	<b>GKC1817, GKC1817P</b>	<b>GKC1817NM</b>	<b>GKC1817, GKC1817P</b>	<b>GKC1817NM</b>
Inspänning	Vac 200-240	200-240	230-240	230-240
Utspänning	Vdc 18	18	21,75	21,75
Utström	mA 800	800	210 / 230	200-240
Laddningstid cirka	tim 1	1	8	8
Vikt	kg 0,399	0,4	0,365	0,556

Garanterad ljudnivå, uppmätt enligt 2000/14/EG:

$L_{pA}$  (ljudnivå) 78,6 dB(A), osäkerhet (K) 3 dB(A)

$L_{WA}$  (ljudeffekt) 89,6 dB(A), osäkerhet (K) 3 dB(A)

$L_{WA}$  (garanterad) 90 dB(A)

Använd alltid hörselskydd om bullemnivån överstiger 80 dB (A).

Det vägda geometriska medelvärdet av vibrationsfrekvensen enligt EN 60745: 4 m/sek<sup>2</sup>

**EC-deklaration om överensstämmelse**

MASKINDIREKTIV

**GKC1817, GKC1817P, GKC1817NM**

Black & Decker intygar att de produkter som beskrivs under "tekniska data" överensstämmer med:  
2006/42/EG, EN60745-1, EN60745-2-13

Om du vill veta mer kontaktar du Black & Decker på följande adress eller läser på bruksanvisningens baksida.

Undertecknad är ansvarig för sammanställningen av tekniska data och gör denna försäkran för Black & Deckers räkning.

Kevin Hewitt  
Vice-President Global Engineering  
Black & Decker Europe, 210 Bath Road, Slough,  
Berkshire, SL1 3YD  
Storbritannien  
12-04-2010

**Reservdelar / reparationer**

Reservdelar finns att köpa hos auktoriserade Black & Decker verkstäder, som även ger kostnadsförslag och reparerar våra produkter.

Förteckning över våra auktoriserade verkstäder finns på Internet, vår hemsida [www.blackanddecker.se](http://www.blackanddecker.se) samt [www.2helpU.com](http://www.2helpU.com).

**Garanti**

Black & Decker garanterar att produkten är fri från material- och/eller fabrikationsfel vid leverans till kund. Garantin gäller utöver konsumentens rättigheter enligt lag och påverkar inte dessa. Garantin gäller inom medlemsstaterna i Europeiska Unionen och i det Europeiska Frihandelsområdet.

Om en Black & Decker-produkt blir defekt på grund av material- och/eller fabrikationsfel eller brister i överensstämmelse med specifikationen inom 24 månader från köpet, åtar sig Black & Decker att reparera eller byta ut produkten med minsta besvär för kunden, såvida inte:

- ◆ Produkten har använts i kommersiellt, yrkesmässigt eller uthyrningssyfte.
- ◆ Produkten har utsatts för felaktig användning eller skötsel.
- ◆ Produkten har skadats av främmande föremål, ämnen eller genom olyckshändelse.
- ◆ Reparation har utförts av någon annan än en auktoriserad Black & Decker-verkstad.

För att utnyttja garantin skall produkten och inköpskvittot lämnas till återförsäljaren eller till en auktoriserad verkstad. För information om närmaste auktoriserade verkstad, kontakta det lokala Black & Decker-kontoret på den adress som anges i bruksanvisningen. En förteckning över alla auktoriserade verkstäder samt servicevillkor finns även tillgängliga på Internet: [www.2helpU.com](http://www.2helpU.com)

Besök vår webbplats [www.blackanddecker.se](http://www.blackanddecker.se) för att registrera din nya Black & Decker-produkt samt för att få information om nya produkter och specialerbjudanden. Vidare information om märket Black & Decker och vårt produktsortiment finns på [www.blackanddecker.se](http://www.blackanddecker.se).

## Bruksområde

Den kompakte Black & Decker-kjedesagen er konstruert for lett kutting og beskjæring. Verktøyet er beregnet bare som konsumentverktøy.

## Sikkerhetsinstruksjoner

### Generelle sikkerhetsadvarsler for elektroverktøy



**Advarsel! Les alle sikkerhetsadvarsler og alle instruksjoner.** Hvis ikke alle instruksjonene blir fulgt, kan det medføre elektrisk støt, brann og/eller alvorlige personskader.

### Ta vare på alle advarsler og instruksjoner for fremtidig bruk.

Uttrykket "elektroverktøy" i alle advarslene nedenfor gjelder for strømdrevne elektroverktøy (med ledning) og batteridrevne elektroverktøy (uten ledning).

#### 1. Sikkerhet i arbeidsområdet

- Hold arbeidsområdet rent og godt opplyst.** Rotete arbeidsområder og arbeidsområder uten lys kan føre til ulykker.
- Ikke arbeid med elektroverktøy i eksplosjonsfarlige omgivelser – der det finnes seg brennbare væsker, gass eller støv.** Elektroverktøy forårsaker gnister som kan antenne støv eller damper.
- Hold barn og andre personer unna når elektroverktøyet brukes.** Hvis du blir forstyrret under arbeidet, kan du miste kontrollen.

#### 2. Elektrisk sikkerhet

- Støpselet til elektroverktøyet må passe inn i stikkkontakten. Støpselet må ikke forandres på noen som helst måte. Ikke bruk adapterstøpsler sammen med jodede elektroverktøy.** Bruk av originale støpsler og passende stikkontakter reduserer risikoen for elektrisk støt.
- Unngå kroppskontakt med jodede overflater som rør, radiatorer, komfyrer og kjøleskap.** Det er større fare for elektrisk støt dersom kroppen din er jordet.
- Hold elektroverktøy unna regn eller fuktighet.** Dersom det kommer vann i et elektroverktøy, øker faren for elektrisk støt.
- Unngå uforvarlig behandling av ledningen. Elektroverktøyet må aldri bæres eller trekkes etter ledningen, og trekk heller ikke ut støpselet ved å rykke i ledningen. Hold ledningen unna varme, olje, skarpe kanter eller bevegelige deler.** Med skadde eller sammenflokede ledninger øker risikoen for elektrisk støt.

- Når du arbeider utendørs med et elektroverktøy, må du kun bruke en skjoteledning som er godkjent til utendørs bruk.** Når du bruker en skjoteledning som er egnet for utendørs bruk, reduseres risikoen for elektrisk støt.
- Hvis du ikke kan unngå å bruke et elektroverktøy på et fuktig sted, bruker du strømforsyning som er beskyttet med jordfeilbryter.** Bruk av jordfeilbryter reduserer risikoen for elektrisk støt.

#### 3. Personssikkerhet

- Vær oppmerksom, pass på hva du gjør, og vis fornuft når du arbeider med et elektroverktøy. Ikke bruk elektroverktøy når du er trett eller er påvirket av narkotika, alkohol eller medikamenter.** Et øyeblikks uoppmerksomhet under bruk av verktøyet kan føre til alvorlige personskader.
  - Bruk personlig verneutstyr. Bruk alltid vernebriller.** Bruk av personlig verneutstyr, for eksempel støvmaske, skliskure vernesko, hjelm eller hørselsvern som passer til forholdene, reduserer risikoen for personskader.
  - Forhindre utilsikket start av elektroverktøyet. Kontroller at bryteren står i posisjon "av" før du kobler til strømkilden og/eller batteripakken, og før du tar opp eller bærer verktøyet.** Det kan føre til ulykker hvis du bærer elektroverktøyet med fingeren på bryteren, eller kobler til verktøyet når bryteren ikke står i posisjon "av".
  - Fjern innstillingsverktøy eller skrunøkler før du slår på elektroverktøyet.** Et verktøy eller en nøkkel som befinner seg i en roterende del, kan forårsake personskade.
  - Ikke strekk deg for langt. Pass på at du alltid har sikkert fotfeste og god balanse.** Da kan du kontrollere elektroverktøyet bedre i uventede situasjoner.
  - Bruk alltid egnede klær. Ikke bruk løstsittende klær eller smykker. Hold hår, klær og hanser unna bevegelige deler.** Løstsittende klær, smykker eller langt hår kan komme inn i bevegelige deler.
  - Hvis det kan monteres støvavsug- og oppsamlingsinnretninger, må du forvise deg om at disse er tilkoblet og brukes på riktig måte.** Bruk av disse innretningene reduserer faren i forbindelse med støv.
- Aktsom håndtering og bruk av elektroverktøy**
    - Ikke bruk makt på elektroverktøyet. Bruk et elektroverktøy som er beregnet på den type arbeid du vil utføre.** Med et passende elektroverktøy arbeider du bedre og sikrere i det angitte effektområdet.
    - Ikke bruk elektroverktøy med defekt strømbryter.** Et elektroverktøy som ikke kan kontrolleres med bryteren, er farlig og må repareres.

- c. **Trekk støpselet ut av stikkkontakten og/eller koble fra batteripakken på elektroverktøyet før du utfører innstillinger, skifter tilbehørsdeler eller legger elektroverktøyet bort.** Disse forebyggende sikkerhetstiltakene reduserer risikoen for utilsiktet start av elektroverktøyet.
- d. **Elektroverktøy som ikke er i bruk, må oppbevares utilgjengelig for barn. Ikke la verktøyet brukes av personer som ikke er fortrolig med det, eller som ikke har lest denne bruksanvisningen.**  
Elektroverktøy er farlige når de brukes av uerfarne personer.
- e. **Vær nøye med vedlikehold av elektroverktøy. Kontroller at bevegelige deler fungerer feilfritt og ikke klemmes fast, om deler er brukt eller skadet, og andre forhold som kan innvirke på elektroverktøyets funksjon. Hvis elektroverktøyet er skadet, må det repareres før bruk.** Dårlig vedlikeholdte elektroverktøy er årsaken til mange uhell.
- f. **Hold skjæreverktøy skarpe og rene.** Godt vedlikeholdte skjæreverktøy med skarpe egger setter seg ikke så ofte fast og er lettere å føre.
- g. **Bruk elektroverktøy, tilbehør, bits osv. i henhold til disse instruksjonene. Ta hensyn til arbeidsforholdene og arbeidet som skal utføres.**  
Bruk av elektroverktøy til andre formål enn det som er angitt, kan føre til farlige situasjoner.
5. **Aktsom håndtering og bruk av batteriet**
- a. **Gjenoppladingen skal bare skje med den laderen som produsenten har spesifisert.** En lader som er egnet til én type batteripakke, kan føre til brannrisiko når den brukes med en annen batteripakke.
- b. **Bruk elektroverktøy bare med spesifiserte batteripakker.** Bruk av andre batteripakker kan føre til fare for personskader og brann.
- c. **Når batteripakken ikke er i bruk, må du oppbevare den atskilt fra andre metallgjenstander som binders, mynter, nøkler, spiker, skruer eller andre små metallgjenstander som kan opprette en forbindelse fra en terminal til en annen.** Dersom batteriets terminaler kortsluttes med hverandre, kan det oppstå forbrenning eller brann.
- d. **Under forhold med feil stell kan det lekke væske fra batteriet. Unngå å komme i kontakt med væsken. Dersom du ved et uhell kommer i kontakt med væsken, må du spyle den bort med vann. Får du batterivæske i øynene, må du i tillegg oppsøke lege.**  
Væske som lekker fra batteriet, kan forårsake iritasjoner eller forbrenninger.

6. **Service**
- a. **Elektroverktøyet ditt skal alltid repareres av kvalifisert personell og kun med originale reservedeler.** Dette sikrer at elektroverktøyets sikkerhet opprettholdes.

#### Ytterligere sikkerhetsadvarsler for elektroverktøy



**Advarsel!** Ytterligere sikkerhetsadvarsler for kompakte kjedesager.

Tiltenkt bruk er beskrevet i denne håndboken. Ikke bruk verktøyet til formål det ikke er beregnet for. For eksempel skal du ikke bruke verktøyet til å felle trær. Bruk av tilbehør eller utføring av oppgaver som ikke er anbefalt for verktøyet i denne håndboken, kan medføre fare for personskade.

- ◆ Bruk tettstittende og beskyttende klær og hjelm med visir/vernebriller, hørselvern, sklissikkert fottøy, beskyttende snekerbukser og kraftige lærhansker.
- ◆ Plasser deg alltid slik at du ikke står der grener faller ned.
- ◆ Trygg avstand mellom grener som skal kuttes og personer, bygninger og andre gjenstander, er minst 2 1/2 gang grenens lengde. Eventuelle personer, bygninger eller gjenstander innenfor denne avstanden risikerer å bli truffet av den fallende grenen.
- ◆ Planlegg på forhånd hvordan du kan komme unna fallende grener. Kontroller at det ikke er hindringer i veien som kan føre til at du ikke kommer deg unna. Husk at vått gress og nylig kuttet bark er glatt.
- ◆ Pass på at det er noen andre i nærheten (men på sikker avstand) i tilfelle uhell.
- ◆ Du må ikke bruke verktøyet når du står i et tre, på en stige eller på noen annen ustabil overflate.
- ◆ Pass på at du alltid har sikkert fotfeste og god balanse.
- ◆ Hold verktøyet fast med begge hender når motoren er i gang.
- ◆ Ikke la kjeden komme i kontakt med noen gjenstander ytterst på sverdet.
- ◆ Begynn med kuttingen først når kjeden beveger seg med full hastighet.
- ◆ Ikke forsøk å sette sagen inn i et tidligere laget kutt. Lag alltid et nytt kutt.
- ◆ Se etter bevegelige grener eller andre krefter som kan avbryte en kutting, klemme kjeden eller falle ned på den.
- ◆ Forsøk ikke å kutte en gren med diameter som er større enn kjedesagens sagelengde.
- ◆ Ta alltid batteriet ut av verktøyet, og sett kjededekselenheten over kjeden når du oppbevarer eller transporterer verktøyet.

- ◆ Hold sagkjeden skarp og tilstrekkelig stram. Sjøkk stramningen regelmessig.
- ◆ Slå av verktøyet, la kjeden stoppe, og ta ut batteriet av verktøyet før du utfører justering, behandling eller vedlikehold.
- ◆ Bruk bare originalreservedeler og -tilbehør.

### Årsaker til tilbakeslag og hvordan operatøren forhindrer dette

Tilbakeslag kan forekomme når spissen på sverdet kommer i kontakt med en gjenstand, eller når treverket "lukker seg" og kniper fast sagkjedet.

Når spissen kommer i kontakt med en gjenstand, kan det plutselig oppstå en motsatt reaksjon, som fører til at sverdet slås opp og bakover mot operatøren.

Hvis kjedet knipes fast langs øvre kant av sverdet, kan sverdet bli skjøvet fort bakover mot operatøren.

Begge disse reaksjonene kan føre til at du mister kontrollen over kjedesagen, slik at det oppstår alvorlig personskade. Ikke stol blindt på kjedesagens innebygde sikkerhetsinnretninger. Som bruker er det ditt ansvar å ta nødvendige forholdsregler for å unngå uhell og skader.

Tilbakeslag er et resultat av feil bruk av verktøyet og/eller feil brukerprosedyrer eller forhold, og kan unngås ved å ta riktige forholdsregler som forklart nedenfor.

- ◆ **Sørg for at du holder godt fast i sagen, med tommel og fingrer rundt håndtakene. Hold sagen med begge hender, og stå med kroppen og armene slik at du kan motstå tilbakeslagskrefter.** Tilbakeslagskrefter kan beherskes av operatøren hvis riktige forholdsregler tas. Ikke slipp tak i kjedesagen.
- ◆ **Ikke strekk deg for langt, og ikke bruk sagen over skulderhøyde.** På denne måten kan du unngå utilsikket kontakt mellom spissen og gjenstander, og få bedre kontroll over kjedesagen i uventede situasjoner.
- ◆ **Bruk bare erstatningssverd og -kjeder som produsenten har angitt.** Bruk av feil erstatningssverd og -kjeder kan føre til kjedebrudd og/eller tilbakeslag.
- ◆ **Følg produsentens anvisninger for sliping og vedlikehold av sagkjedet.** Lavere dybdemålerhøyde kan føre til mer tilbakeslag.

### Anbefalte sikkerhetstiltak for kjedesagen

- ◆ Vi anbefaler på det sterkeste at personer som bruker kjedesag for første gang, får praktisk veiledning i bruk av sagen og personlig verneutstyr fra en erfaren bruker. Øvelsen bør bestå i å sage stokker på en sagkrakk eller en annen form for holder.
- ◆ Vi anbefaler at kjedebremsen er aktivert ved bæring av kjedesagen.

- ◆ Hold kjedesagen i god stand når den ikke er i bruk. Ikke oppbevar kjedesagen i lang tid uten først å fjerne kjeden og sverdet, som skal oppbevares nedsenket i olje. Oppbevar alle kjedesagdelene på et tørt og sikkert sted utilgjengelig for barn.
- ◆ Vi anbefaler også å tappe oljen ut av oljetanken før sagen settes til oppbevaring.
- ◆ Sørg for å ha godt fotfeste, og ha alltid planlagt en sikker vei vekk fra stedet i tilfelle av fallende trær eller grener.
- ◆ Bruk kiler for å kontrollere bevegelsen til treet og forhindre at kjedet og sverdet blokkeres i treet.
- ◆ Vedlikehold av kjedet. Hold kjedet skarpt, og sørg for at det sitter stramt rundt sverdet. Sørg for at kjedet og sverdet er rent og godt smurt med olje. Hold håndtakene tørre, rene og fri for olje og fett.

Tilbakeslag kan forårsakes av:

- ◆ At du utilsikket kommer borti grener eller andre gjenstander med spissen av sagen mens kjedet er i bevegelse.
- ◆ At du kommer borti metall, sement eller annet hardt materiale i nærheten av trevirket, eller som er skjult i trevirket.
- ◆ Et sløvt eller løst kjede.
- ◆ At du sager over skulderhøyde.
- ◆ At du ikke er oppmerksom nok når du holder i eller fører kjedesagen under saging.
- ◆ At du strekker deg for langt. Pass på at du alltid har sikkert fotfeste og god balanse, og ikke strekk deg for langt.
- ◆ Ikke sett sagen inn i et tidligere laget kutt. Det kan føre til tilbakeslag. Lag et nytt kutt hver gang.
- ◆ Vi anbefaler på det sterkeste at du ikke bruker kjedesagen mens du står i et tre, på en stige eller på andre ustabile underlag. Hvis du likevel bestemmer deg for dette, må du være oppmerksom på at slike stillinger er ekstremt farlige.
- ◆ Når du sager en gren som er spent, må du være oppmerksom på at den kan kastes tilbake, slik at den ikke slår borti deg når spenningen forsvinner.

Unngå å sage:

- ◆ Bearbeidet tømmer.
- ◆ I bakken.
- ◆ I ståltrådgjerder, spiker osv.
- ◆ I kratt og busker, fordi kvister og lignende kan komme inn i kjedet og slenges mot deg eller gjøre at du mister balansen.
- ◆ Ikke bruk kjedesagen over skulderhøyde.
- ◆ Pass på at det er noen andre i nærheten (men på sikker avstand) i tilfelle uhell.

- ◆ Hvis du av en eller annen grunn må berøre sagkjedet, må du først kontrollere at kjedesagen er koblet fra strømforsyningen.
- ◆ Støyen fra dette produktet kan overskride 80 dB(A). Vi anbefaler derfor at du bruker egnet hørselvern.

## Andre personers sikkerhet

- ◆ Det er ikke meningen at dette apparatet skal brukes av personer (inkludert barn) med reduserte fysiske, sansemessige eller mentale evner, eller som mangler erfaring og kunnskap, med mindre de har fått oppfølging eller instruksjon når det gjelder bruken av apparatet, fra en person som er ansvarlig for deres sikkerhet.
- ◆ Barn skal være under tilsyn så du er sikker på at de ikke leker med apparatet.

## Vibrasjon

Vibrasjonsemisjonsverdien som er angitt under tekniske data og samsvarserklæring, er blitt målt i henhold til en standard testmetode som er angitt i EN 60745, og kan brukes til å sammenligne et verktøy med et annet. Den oppgitte vibrasjonsemisjonsverdien kan også brukes til en foreløpig vurdering av eksponering.

**Advarsel!** Vibrasjonsemisjonsverdien under faktisk bruk av elektroverktøyet kan avvike fra den oppgitte verdien avhengig av måten verktøyet blir brukt på. Vibrasjonsnivået kan øke over nivået som er oppgitt.

- ◆ Når man vurderer vibrasjonseksponering for å bestemme sikkerhetstiltak som kreves i 2002/44/EF for å beskytte personer som bruker elektroverktøy regelmessig i arbeidet, skal man når man anslår vibrasjonseksponeringen, ta hensyn til de faktiske bruksforholdene og måten verktøyet blir brukt på, inkludert hensyn til alle deler av brukssyklusen – også de gangene verktøyet slås av og når det går på tomgang, i tillegg til tiden utløseren er inne.

## Advarselsymboler

Du finner følgende advarselssymboler på verktøyet:



**Advarsel!** Brukeren må lese håndboken for å redusere risikoen for personskade.



Ikke bruk sagen i våte omgivelser, ikke la den utsettes for regn.



Bruk alltid hørselvern.



Bruk alltid vernebriller.



Bruk alltid sklisikkert fottøy.



Vær oppmerksom på fallende gjenstander. Hold andre personer unna.



Du sikrer kontinuerlig sikker bruk ved å kontrollere kjedestrømmingen hvert tiende minutt og justere tilbake til klaring på 3 mm etter behov – som beskrevet i denne bruksanvisningen. Smør kjeden hvert tiende minutt under bruk.



Kjedens bevegelsesretning.



Kjeden og sverdet må bare erstattes med originale Black & Decker-deler for å sikre varig trygg drift. Reservekjeden har delenummer A6158 og reservesverdet 90517720.

## Ytterligere sikkerhetsinstruksjoner for batterier og ladere

### Batterier

- ◆ Forsøk aldri å åpne uansett hvilket formål du måtte ha.
- ◆ Ikke utsett batteriet for vann.
- ◆ Ikke utsett batteriet for varme.
- ◆ Skal ikke oppbevares på steder der temperaturen kan overskride 40°C.
- ◆ Skal lades bare ved omgivelsestemperaturer mellom 10°C og 40°C.
- ◆ Bruk bare ladere av typen som følger med maskinen/redskapet. Hvis du bruker feil lader, kan dette føre til et elektrisk støt eller at batteriet overopphetes.
- ◆ Følg instruksjonene i avsnittet "Miljø" når du skal kaste batterier.
- ◆ Ikke skad eller deformer batteripakken ved punktering eller støt, da dette kan føre til risiko for personskade og brann.
- ◆ Ikke lad skadede batterier.
- ◆ Under ekstreme forhold kan det forekomme batterilekkasje. Hvis du oppdager væske på batteriene, må du tørke den forsiktig av med en klut. Unngå kontakt med huden.
- ◆ Hvis væsken kommer i kontakt med huden eller øynene, følger du instruksjonene nedenfor.

**Advarsel!** Batterivæsken kan føre til personskade eller skade på eiendom. Ved hudkontakt skyller du umiddelbart med vann. Hvis huden blir rød eller irritert eller smerter inntreffer, søk øyeblikkelig medisinsk hjelp. Hvis væsken kommer i kontakt med øynene, skyller du umiddelbart med rent vann og søker øyeblikkelig medisinsk hjelp.

## Ladere

Ladere er konstruert for en bestemt spenning. Kontroller alltid at nettspenningen er i overensstemmelse med spenningen på typeskiltet.

**Advarsel!** Prøv aldri å skifte ut laderen med et vanlig nettstøpsel.

- ◆ Black & Decker-ladere skal bare brukes til å lade batteriet i apparatet/verktøyet som laderen kom sammen med. Andre batterier kan sprekke og føre til personskade og materiell skade.
- ◆ Prøv aldri å lade ikke-oppladbare batterier.
- ◆ Hvis strømledningen blir skadet, må den skiftes av produsenten eller et autorisert Black & Decker-servicesenter for å unngå fare.
- ◆ Ikke utsett laderen for vann.
- ◆ Ikke åpne laderen.
- ◆ Ikke stikk gjenstander eller fingre ned i laderen.
- ◆ Apparatet/verktøyet/batteriet må plasseres på et sted med god gjennomlufting når det lades.

## Symboler på laderen

Du finner følgende symboler på laderen:



Les nøye gjennom hele håndboken før du begynner å bruke apparatet.



Ladere slår seg av automatisk hvis temperaturen i omgivelsene blir for høy. Som følge av dette vil ikke laderen virke. Ladeenheten må kobles fra strømforsyningen og repareres på et autorisert serviceverksted.



Lad bare ved temperaturer mellom 10°C og 40°C.



Ladeenheten er bare beregnet for bruk innendørs.



Ladere er dobbeltisolert, og det er dermed ikke nødvendig med jording. Kontroller alltid at nettspenningen er i overensstemmelse med spenningen på typeskiltet.

## Elektrisk sikkerhet



Ladere er dobbeltisolert, og det er dermed ikke nødvendig med jording. Kontroller alltid at nettspenningen er i overensstemmelse med spenningen på typeskiltet.

Hvis strømledningen blir skadet, må den skiftes av produsenten eller et autorisert Black & Decker-servicesenter for å unngå fare.

**Advarsel!** Prøv aldri å skifte ut laderen med en vanlig nettplugg.

## Funksjoner

1. Strømbryter
2. Låseknapp
3. Oljelokk
4. Oljetank
5. Frontvern
6. Kjededeksel
7. Justeringskkrue for kjedestramming
8. Kjede
9. Sverd
10. Batteri
11. Sverdbeskyttelse
12. Ladeenhet
13. Lader

## Montering

**Advarsel!** Fjern batteriet (10) fra verktøyet før montering.

### Sette inn og ta ut batteriet (figur A)

- ◆ Når du skal sette inn batteriet (10), holder du det overfor kontakten på verktøyet. Skyv batteriet (10) inn i kontakten, og skyv til batteriet (10) klikker på plass.
- ◆ Når du skal ta ut batteriet (10), trykker du på utløserknappen (24) og trekker samtidig batteriet (10) ut av kontakten.

**Advarsel!** For å forebygge at sagen starter ved et uhell må du passe på at batteriet er tatt ut og sverdbeskyttelsen (11) er satt på kjeden (8) før du utfører de følgende aktivitetene. Hvis du ikke gjør dette, kan det føre til alvorlig personskade.

### Lading av batteriet (fig. B & C)

Batteriet må lades for første gangs bruk og alltid når verktøyet ikke lenger fungerer effektivt. Når batteriet lades for første gang, eller etter at det ikke har vart brukt i en periode, er ladekapasiteten kun 80%. Etter flere ladings- og utladingsperioder, vil batteriet oppnå full kapasitet. Batteriet kan bli varmt mens det lades; dette er normalt og indikerer ikke at noe er feil.

**Advarsel!** Lad ikke batteriet hvis lufttemperaturen er under 10°C eller over 40°C. Anbefalt ladingstemperatur: ca. 24°C.

### 8-timers lader (fig. B)

- ◆ For å lade batteriet (10) må du ta det ut av verktøyet og skyve laderkontakten (12) inn på batteriet.
- ◆ Koble laderen (13) til stikkkontakten.

Batteriet (10) blir ferdig ladet på ca. 8 timer. Det kan fjernes når som helst, eller det kan stå i den tilkoblede laderen på ubestemt tid.

## 1-times lader (fig. C)

- ◆ For a lade batteriet (10), ta det ut av verktøyet og sett det inn i laderen (23). Det er bare en mate a plassere batteriet inn i laderen . Ikke bruk makt. Kontroller at batteriet ligger ordentlig på plass i laderen.
- ◆ Sett laderens kontakt i vegguttaket.

Sjekk om den røde ladeindikatoren lyser. Hvis den grønne ladeindikatoren lyser i stedet, er batteriet for varmt og kan ikke lades. Hvis dette skjer, tar du batteriet ut av laderen, lar det avkjøles i 1 time og setter det inn igjen.

Etter ca. 1 times lading vil den røde ladeindikatoren slukkes og den grønne ladeindikatoren tennes. Batteriet er nå ferdig oppladet.

- ◆ Ta batteriet ut av laderen.

## Sette på og ta av kjeden (figur D–F og H)



Bruk alltid beskyttelseshansker når du setter på eller tar av kjeden (8). Kjeden er skarp og kan skjære deg når den ikke beveger seg.

- ◆ Sett verktøyet på en fast og stabil overflate.
- ◆ Løsne de to sekskantskruene (14) ved hjelp av den medfølgende nøkkelen (21). Fjern sekskantskruene (14).
- ◆ Ta bort kjededekselenheten (6).
- ◆ Skru kjedestrammingssskruen (7) mot klokken så sverdet (9) trekkes tilbake og strammingen i kjeden (8) reduseres.
- ◆ Ta den gamle kjeden (8) bort fra drivhjulet (15) og sverdet (9).
- ◆ Plasser den nye kjeden (8) i sporet i sverdet (9) og rundt drivhjulet (15). Pass på at tennene vender riktig vei ved å matche pilen på kjeden (8) med pilen på kjededekselenheten (6).
- ◆ Pass på at sporet (17) i sverdet (9) er over styrepinnene (18), og at hullet (20) under sporet er plassert over justeringspinnen (19).
- ◆ Sett på kjededekselenheten (6) og de to sekskantskruene (14).
- ◆ Stram sekskantskruene (14) ved hjelp av den medfølgende nøkkelen (21).
- ◆ Juster kjedestrammingen som beskrevet nedenfor.

## Kontrollere og justere kjedestrammingen (figur D og F)

- ◆ Kontroller kjedestrammingen. Strammingen er korrekt når kjeden (8) spretter tilbake på plass når den blir trukket 3 mm ut fra sverdet (9) ved bruk av liten kraft med langfingeren og tommelen. Det skal ikke være noe "heng" mellom sverdet (9) og kjeden (8) på undersiden.

Slik justerer du strammingen:

- ◆ Løsne de to sekskantskruene (14).

- ◆ Drei justeringssskruen (7) for kjedestramming med klokken.

**Advarsel!** Ikke stram kjeden for mye, da dette vil føre til for stor slitasje, noe som reduserer levetiden for sverdet og kjeden.

- ◆ Når kjedestrammingen er korrekt, skrur du til de to sekskantskruene (14).

**Advarsel!** Når kjeden er ny, må du kontrollere strammingen ofte de to første timene du bruker den, da en ny kjede strekker seg litt.

## Fylle oljetanken (figur H)

- ◆ Fjern oljelokket (3), og fyll oljetanken (4) med anbefalt kjedeolje. Du kan se oljenivået i oljetanken (4). Sett på oljelokket (3) igjen.
- ◆ Stopp verktøyet regelmessig, og kontroller oljenivået. Hvis tanken er mindre enn en fjerdedel full, tar du batteriet (10) ut av verktøyet og fyller tanken (4) med riktig olje.

## Smøre kjeden (figur H)

Kjeden (8) må smøres før hver gangs bruk og etter rengjøring. Bruk bare korrekt oljetype (katalognummer A6027).

- ◆ Smør kjeden (8) ved å trykke på forhøyningen på oljelokket (3) to ganger før du tar hvert kutt. Hold forhøyningen nede 3–4 sekunder.

## Andre risikoer

Ved bruk av verktøyet kan det oppstå ytterligere risikoer som kanskje ikke er inkludert i sikkerhetsadvarslene som følger med. Disse risikoene kan bli forårsaket av feil bruk, langvarig bruk osv.

Selv om de relevante sikkerhetsbestemmelsene blir fulgt, og sikkerhetstiltakene blir gjennomført, kan visse gjenværende risikoer ikke unngås. Disse omfatter:

- ◆ Personskader som forårsakes av berøring av en roterende/bevegelig del.
- ◆ Personskader som forårsakes av at en del, et blad eller tilbehør endres.
- ◆ Personskader som forårsakes av langvarig bruk av et verktøy. Når du bruker et verktøy i lange perioder, må du sørge for å ta regelmessige pauser.
- ◆ Svekket hørsel.
- ◆ Helsefarer som forårsakes av innånding av støv som dannes når du bruker verktøyet (eksempel: arbeid med tre, spesielt eik, bøk og MDF).



## Bruk

### Start og stopp (figur H)

**Advarsel!** La verktøyet jobbe med sin egen hastighet. Unngå overbelastning.

Av hensyn til din sikkerhet er dette verktøyet utstyrt med et dobbelt brytersystem. Dette systemet hindrer at verktøyet startes ved et uhell.

### Slå på

- ◆ Trykk på utløserknappen (2), og trekk samtidig strømbryteren (1) mot deg.
- ◆ Slipp utløserknappen (2).

### Slå av

- ◆ Slipp strømbryteren (1).

**Advarsel!** Ikke prøv å låse en bryter i stillingen "på".

### Beskjære trær (figur I)

Undersøk at det ikke er noen lokale lover eller bestemmelser som forbyr eller styrer beskjæring av tregrener. Beskjæring bør bare utføres av erfarne brukere, da det er økt fare for fastklemming av kjeden (8) og tilbakeslag.

Før beskjæringen starter, er det viktig å vurdere forhold som kan få innvirkning på fallretningen, for eksempel:

- ◆ Lengden og vekten av den grenen som skal sages av.
- ◆ Eventuelle uvanlige og tunge grenstrukturer eller forråtnelse.
- ◆ Trær i nærheten og andre hindringer, også i luften.
- ◆ Vindstyrke og -retning.
- ◆ Om grenen er tvunnet sammen med andre grener.

Brukeren må vurdere tilgangen til grenen og fallretningen. Grenen vil kunne falle inn mot trestammen. I tillegg til brukeren vil tilskuere, gjenstander og eiendeler under grenen kunne bli utsatt for skade.

For å unngå oppflising lages det første kuttet oppover, inn til en maksimumsdybde på en tredjedel av grenens diameter. Det andre kuttet lages nedover og slik at det treffer det første.

### Lett kutting (figur J)

Hvordan du skal kutte, avhenger av hvordan trevirket er støttet opp. Bruk en sagkrakk når dette er mulig. Start alltid sagingen med kjeden (8) i gang og med barkstøtten i kontakt med treet. For å fullføre kuttet vipper du barkstøtten mot treet.

Når støttet langs hele lengden:

- ◆ Lag et kutt nedover, men unngå å sage i jorden, ettersom det vil føre til at sagkjedet blir sløvt veldig fort.

Når støttet i begge ender:

- ◆ Først kutter du en tredjedel nedover for å unngå oppsplintring, og deretter kutter du igjen for å møte det første kuttet.

Når støttet i én ende:

- ◆ Først kutter du en tredjedel opp for å unngå oppsplintring, og deretter kutter du ned for å unngå oppsplintring.

I en helling:

- ◆ Stå alltid på oversiden.

Ved bruk av sagkrakk (figur J):

Om mulig er dette den beste måten.

- ◆ Plasser trevirket i en stabil posisjon. Kutt alltid på utsiden av sagkrakkarmene. Bruk skruetvinger eller stropper for å sikre arbeidsemnet.

## Rengjøring, vedlikehold og oppbevaring

Black & Decker-verktøyet ditt er konstruert for å være i drift over lengre tid med et minimum av vedlikehold.

Det er avhengig av riktig stell og regelmessig rengjøring for å fungere som det skal til enhver tid.

Laderen krever ikke annet vedlikehold enn regelmessig rengjøring.

**Advarsel!** Før du utfører vedlikehold på verktøyet, må du fjerne batteriet fra verktøyet. Fjern laderen fra stikkkontakten før du rengjør den.

### Sette på batterilokket (figur K)

**Advarsel!** Sett lokket (22) på batteriet (10) når du skal transportere og oppbevare det.

### Etter bruk og før oppbevaring

Rengjør jevnlig ventilasjonssporene med en ren, tørr malerkost.

Du rengjør verktøyet med en mild såpe og en fuktig klut. La det aldri sive væske inn i verktøyet, og senk aldri noen deler av verktøyet ned i væske.

- ◆ Fjern rusk med en hard børste.
- ◆ Smør kjeden (8) med olje.

### Slipe kjedet

Hvis du vil ha best mulig ytelse fra verktøyet, er det viktig å holde kjedetennene skarpe. Du finner mer informasjon om dette i slipesettet. For dette formålet anbefaler vi at du kjøper Black & Deckers slipesett for kjedesager, som fås hos autoriserte Black & Decker-serviceverksteder (katalognummer A6039).

### Bytte utslitte og skadde kjeder og sverd

Du får reservekjeder hos forhandlere og Black & Decker-serviceverksteder (delenummer A6158). Reservesverd får du bare hos Black & Decker-serviceverksteder (delenummer 90517720). Bruk bare originale Black & Decker-kjeder og -sverd for å unngå risiko for personskade. Bruk alltid originale reservedeler.

## Kjedeskarpheit

Sagetennene på kjeden vil bli sløve med en gang hvis de berører bakken eller en spiker under bruk.

## Kjedestramming

Sjekk sagkjedestrammingen regelmessig.

## Hva som skal gjøres hvis kjedesagen må repareres.

Dette verktøyet oppfyller relevante sikkerhetskrav. Reparasjoner må bare utføres av autoriserte Black & Decker-serviceverksteder som benytter originale reservedeler, ellers kan det være farlig å bruke utstyret. Vi anbefaler at du oppbevarer denne bruksanvisningen på et sikkert sted.

## Oppbevaring

Når verktøyet ikke skal brukes på flere måneder, skal helst batteriet (10) være koblet til laderen.

Ellers går du frem slik:

- ◆ Fjern batteriet (10) fra verktøyet.
- ◆ Lad batteriet (10) fullstendig.
- ◆ Oppbevar verktøyet og batteriet (10) på et sikkert og tørt sted. Temperaturen under oppbevaring må alltid være i området +5 °C til +40 °C. Plasser batteriet (10) på et flatt underlag.
- ◆ Før du bruker verktøyet etter lang tids oppbevaring, lader du batteriet (10) fullstendig igjen.

## Miljø



Separat avfallshåndtering. Dette produktet må ikke kastes sammen med vanlig husholdningsavfall.

Hvis du finner ut at ditt Black & Decker-produkt må byttes ut eller, du ikke har bruk for det lenger, må du ikke kaste det sammen med husholdningsavfallet. Lever det inn på et egnet sted.



Hvis brukte produkter og emballasje leveres atskilt, kan materialer resirkuleres og brukes på nytt. Resirkulering av brukte produkter gir redusert miljøforurensing og mindre behov for råmaterialer.

Det kan være lokale bestemmelser for egen innsamling av elektriske produkter fra husstander, på kommunale avfallsplasser eller hos forhandleren når du kjøper et nytt produkt.

Black & Decker tar i mot brukte Black & Decker-produkter for resirkulering. Du kan levere produktet til et autorisert serviceverksted.

For informasjon om nærmeste autoriserte serviceverksted, kontakt ditt lokale Black & Decker-kontor på den adressen som er angitt i bruksanvisningen. Det finnes også en liste over autoriserte Black & Decker-serviceverksteder og opplysninger om ettersalgsservice og kontakter på Internett: [www.2helpU.com](http://www.2helpU.com).

## Batterier



Black & Decker-batterier kan lades opp mange ganger. Tenk på miljøet når batteriene er tomme og du skal kaste dem.

- ◆ La batteriet gå helt tomt og fjern det så fra verktøyet.
- ◆ NiCd- og NiMH-batterier kan gjenvinnes. Ta dem til et autorisert serviceverksted eller til nærmeste spesialavfallsstasjon.

## Tekniske data

	GKC1817 H1	GKC1817P H1	GKC1817NM H1
Spenning	V DC 18	18	18
Kjedefastighet uten belastning	min <sup>-1</sup> 190	190	190
Vekt	kg 2	2	2

Batteri Modell	A18 GKC1817	A1718 GKC1817P	A18NH GKC1817NM
Spenning	V DC 18	18	18
Kapasitet	At 1,5	1,7	1,5
Vekt	kg 0,8	0,8	0,8

Lader Modell	TPCA-240080*1 GKC1817, GKC1817P	TPCA-240080*2 GKC1817NM	31190*-** GKC1817, GKC1817P	TPCA-180021*1 GKC1817NM
Inngangsspenning	V AC 200-240	200-240	230-240	230-240
Utgangsspenning	V DC 18	18	21,75	21,75
Utgangsstrøm	mA 800	800	210 / 230	200-240
Omtrentlig ladetid	t 1	1	8	8
Vekt	kg 0,399	0,4	0,365	0,556

Garantert lydtryknivå målt i henhold til 2000/14/EF:

$L_{pA}$  (lydtrykk) 78,6 dB(A), usikkerhet (K) 3 dB(A)

$L_{WA}$  (lydeffektnivå) 89,6 dB(A), usikkerhet (K) 3 dB(A)

$L_{WA}$  (garantert) 90 dB(A)

Bruk alltid hørselvern hvis lydtrykket overstiger 80 dB (A).

Hand/arm-vektet vibrasjonsverdi i henhold til EN 60745: 4 m/s<sup>2</sup>

**Samsvarserklæring for EU**

MASKINDIREKTIVET

**GKC1817, GKC1817P, GKC1817NM**

Black & Decker erklærer at produktene som er beskrevet under "Tekniske data", er i samsvar med: 2006/42/EF, EN60745-1, EN60745-2-13

Du kan få mer informasjon ved å kontakte Black & Decker på følgende adresse eller på adressen på baksiden av håndboken.

Undertegnede er ansvarlig for utarbeidelsen av den tekniske dokumentasjonen og gir denne erklæringen på vegne av Black & Decker.

Kevin Hewitt

Vice-President Global Engineering

Black &amp; Decker Europe, 210 Bath Road, Slough,

Berkshire, SL1 3YD

Storbritannia

12-04-2010

**Reservdeler / reparasjoner**

Reservdeler kan kjøpes hos autoriserte Black & Decker serviceverksteder, som også gir kostnadsoverslag og reparerer våre produkter.

Oversikt over våre autoriserte serviceverksteder finnes på Internet, vår hjemmeside [www.blackanddecker.no](http://www.blackanddecker.no) samt [www.2helpU.com](http://www.2helpU.com).

**Garanti**

Black & Decker er trygg på kvaliteten til sine produkter og tilbyr en enestående garanti. Denne garantierklæringen kommer i tillegg til dine lovbestemte rettigheter, og er ikke i konflikt med disse. Garantien er gyldig i EU- og EFTA-medlemsstatene.

Hvis et Black & Decker-produkt går i stykker på grunn av material- og/eller fabrikkasjonsfeil eller har mangler i forhold til spesifikasjonene, innen 24 måneder fra kjøpet, påtar Black & Decker seg å skifte ut defekte deler, reparere produkter som har vært utsatt for alminnelig slitasje, eller bytte ut slike produkter med minst mulig vanskelighet for kunden, med mindre:

- ◆ produktet har vært brukt i yrkes-/næringsvirksomhet eller til utleie.
- ◆ produktet har vært utsatt for feilaktig bruk eller mislighold.
- ◆ produktet har blitt skadet av fremmede gjenstander eller stoffer eller ved et uhell.
- ◆ reparasjoner er forsøkt utført av andre enn autoriserte serviceverksteder eller Black & Deckers serviceteknikere.

For å ta garantien i bruk skal produktet og kjøpekvittring leveres til forhandleren eller til et autorisert serviceverksted. For informasjon om nærmeste autoriserte serviceverksted, kontakt ditt lokale Black & Decker-kontor på den adressen som er angitt i bruksanvisningen. En oversikt over autoriserte serviceverksteder og opplysninger om ettersalgsservice og kontakter er også tilgjengelig på Internett: [www.2helpU.com](http://www.2helpU.com)

Besøk vårt webområde [www.blackanddecker.no](http://www.blackanddecker.no) for å registrere ditt nye Black & Decker-produkt og for å holde deg oppdatert om nye produkter og spesialtilbud. Du finner mer informasjon om Black & Decker og produktutvalget vårt på [www.blackanddecker.no](http://www.blackanddecker.no).

## Anvendelsesområde

Din kompakte kædesav fra Black & Decker er designet til let savning og beskæring. Værktøjet er kun beregnet til privat brug.

## Sikkerhedsvejledning

### Generelle sikkerhedsadvarsler for elværktøj



**Advarsel! Læs alle sikkerhedsadvarsler og instruktioner.** Hvis ikke alle instruktioner følges, kan der opstå risiko for elektrisk stød, brand og/eller alvorlige personskader.

### Gem alle advarsler og instruktioner til senere brug.

Begrebet "elværktøj", der benyttes i nedenstående advarsler, henviser til netdrevne (med netledning) eller batteridrevne (uden netledning) maskiner.

1. **Sikkerhed i arbejdsområdet**
    - a. **Sørg for, at arbejdsområdet er rent og ordentligt oplyst.** Uordentlige og uoplyste arbejdsområder øger risikoen for ulykke.
    - b. **Brug ikke elværktøj i eksplosive omgivelser, f.eks. hvor der er brændbare væsker, gasser eller støv.** Elværktøj kan forårsage gnister, der kan antænde støv eller dampe.
    - c. **Hold børn og andre personer på afstand, når elværktøjet er i brug.** Hvis man distraheres, kan man miste kontrollen over maskinen.
  2. **Elektricitet og sikkerhed**
    - a. **Elværktøjsstik skal passe til stikkontakten. Stikket må under ingen omstændigheder ændres. Brug ikke adapterstik sammen med jordforbundet elværktøj.** Uændrede stik, der passer til stikkontakterne, nedsætter risikoen for elektrisk stød.
    - b. **Undgå kropskontakt med jordforbundne overflader som f.eks. rør, radiatorer, komfurer og køleskabe.** Hvis din krop er jordforbundet, øges risikoen for elektrisk stød.
    - c. **Elværktøj må ikke udsættes for regn eller fugt.** Indtrængen af vand i elværktøj øger risikoen for elektrisk stød.
    - d. **Undgå at ødelægge ledningen. Undgå at bære, trække eller afbryde elværktøjet ved at rykke i ledningen. Beskyt ledningen mod varme, olie, skarpe kanter eller maskindele, der er i bevægelse.** Beskadigede eller indviklede ledninger øger risikoen for elektrisk stød.
    - e. **Hvis elværktøj benyttes i det fri, skal der benyttes en forlængerledning, som er godkendt til udendørs brug.** Brug af en forlængerledning til udendørs brug nedsætter risikoen for elektrisk stød.
  - f. **Brug en strømkilde med fejlstrømsbeskyttelse, hvis det er nødvendigt at anvende elværktøj på fugtige steder.** Med en fejlstrømsbeskyttelse reduceres risikoen for elektrisk stød.
3. **Personlig sikkerhed**
    - a. **Vær opmærksom, hold øje med, hvad du laver, og brug elværktøjet fornuftigt. Brug ikke maskinen, hvis du er træt, har indtaget alkohol eller er påvirket af medicin eller euforiserende stoffer.** Få sekunders uopmærksomhed ved brug af elværktøjet kan føre til alvorlige personskader.
    - b. **Brug personlige værnemidler. Brug altid beskyttelsesbriller.** Brug af værnemidler som f.eks. støvmaske, skridsikkert fodtøj, beskyttelseshjelm eller høreværn nedsætter risikoen for personskader, hvis udstyret anvendes korrekt.
    - c. **Sørg for, at værktøjet ikke kan starte utilsigtet. Kontroller, at startknappen ikke er aktiveret, inden apparatet tilsluttes strømkilden og/eller batteriet, samles op eller bæres.** Bæres elværktøj, mens fingeren er på kontakten, eller tilsluttes det, mens kontakten står på tændt, kan der nemt ske en ulykke.
    - d. **Fjern indstillingsværktøj eller skruenøgle, inden elværktøjet tændes.** Et værktøj eller en nøgle, der efterlades i en roterende del i elværktøjet, kan resultere i personskader.
    - e. **Stræk dig ikke for langt. Sørg for, at du altid har sikkert fodfæste og balance.** Det gør det nemmere at kontrollere elværktøjet, hvis der skulle opstå uventede situationer.
    - f. **Brug egnet arbejdstøj. Undgå løse beklædningsgenstande eller smykker. Hold hår, tøj og handsker væk fra dele, der bevæger sig.** Bevægelige dele kan gribe fat i løstsiddende tøj, smykker eller langt hår.
    - g. **Hvis støvudsugnings- og opsamlingsudstyr kan monteres, er det vigtigt, at dette tilsluttes og benyttes korrekt.** Brug af dette udstyr nedsætter risikoen for personskader som følge af støv.
  4. **Brug og vedligeholdelse af elværktøj**
    - a. **Undgå at overbelaste elværktøjet. Brug altid det rette elværktøj til opgaven.** Med det rigtige elværktøj udføres arbejdet lettere og sikrere og i det tempo, som værktøjet er beregnet til.
    - b. **Brug ikke elværktøjet, hvis startknappen er defekt.** Elværktøj, der ikke kan reguleres med startknappen, er farligt og skal repareres.

- c. **Træk stikket ud af stikkontakten og/eller batteriet inden indstilling, tilbehørsudskiftning eller opbevaring af elværktøjet.** Disse

sikkerhedsforanstaltninger reducerer risikoen for utilsigtet start af værktøjet.

- d. **Opbevar ubenyttet elværktøj uden for børns rækkevidde. Lad aldrig personer, der ikke er fortrolige med elværktøj, eller som ikke har gennemlæst denne vejledning, benytte maskinen.** Elværktøj er farligt, hvis det benyttes af ukyndige personer.

- e. **Elværktøj bør vedligeholdes omhyggeligt. Kontroller, om bevægelige dele er skæve eller sidder fast, og om delene er brækkede eller beskadigede, så elværktøjets funktion påvirkes. Få beskadigede dele repareret, inden elværktøjet tages i brug.** Mange uheld skyldes dårligt vedligeholdt elværktøj.

- f. **Sørg for, at skæreværktøjer er skarpe og rene.** Omhyggeligt vedligeholdte skæreværktøjer med skarpe skærekanter sætter sig ikke så hurtigt fast og er nemmere at styre.

- g. **Brug elværktøjet, tilbehør, indsatsværktøj osv. i overensstemmelse med denne vejledning under hensyntagen til arbejdsforholdene og det arbejde, der skal udføres med værktøjet.** I tilfælde af anvendelse af elværktøjet til formål, som ligger uden for det fastsatte anvendelsesområde, kan der opstå farlige situationer.

5. **Brug og vedligeholdelse af batteridrevet værktøj**  
a. **Genoplad kun med den lader, som producenten har angivet.** En lader, der er velegnet til én type batteripakke, kan udgøre en brandfare, hvis den bruges til en anden batteripakke.

- b. **Brug kun elværktøj sammen med batteripakker, der er specifikt beregnet hertil.** Brugen af andre batteripakker kan medføre personskade og brand.

- c. **Når batteripakken ikke er i brug, skal den holdes væk fra andre metalgenstande, f.eks. papirclips, mønter, nøgler, søm, skruer og andre små metalgenstande, som kan skabe forbindelse mellem de to poler.** Kortslutning af batteriet kan forårsage forbrændinger eller brand.

- d. **I visse situationer kan batteriet lække. Undgå kontakt. Skyl med vand i tilfælde af uheld. Søg læge, hvis væsken kommer i kontakt med øjnene.** Væske, der lækker fra batteriet, kan forårsage irritation eller forbrændinger.

## 6. Service

- a. **Elværktøjet må kun serviceres af kvalificerede fagfolk, og der må kun benyttes originale reservedele.** Dermed opretholdes elværktøjets sikkerhed.

### Yderligere sikkerhedsadvarsler for elværktøj



**Advarsel!** Yderligere sikkerhedsadvarsler i forbindelse med kompakte kædesave.

Den tiltænkte anvendelse fremgår af vejledningen. Brug ikke værktøjet til andre formål end de tiltænkte; brug f.eks. ikke værktøjet til træfældning. Brugen af ekstraudstyr eller tilbehør eller udførelse af opgaver med værktøjet ud over de i brugervejledningen anbefalede kan medføre risiko for personskade.

- ◆ Brug tætsiddende og beskyttende tøj samt en sikkerhedshjelm med visir/sikkerhedsbriller, høreværn, skridsikret fodtøj, beskyttende smækbukser og kraftige læderhandsker.
- ◆ Stå altid på en sådan måde, at du er i sikkerhed for faldende grene.
- ◆ Sikkerhedsafstanden mellem en gren, der skal skæres ned, og andre personer, bygninger og andre genstande skal være mindst 2 1/2 gange grenens længde. Personer, bygninger eller genstande inden for denne afstand risikerer at blive ramt af den nedfaldende gren.
- ◆ Planlæg en sikker flugtvej væk fra faldende grene. Sørg for, at flugtvejen er fri for hindringer, der kan forhindre eller hæmme bevægelsesfriheden. Husk, at vådt græs og nyskåret bark er glat.
- ◆ Sørg for, at der befinder sig en anden person i nærheden (men i sikker afstand), for det tilfælde at der skulle ske et uheld.
- ◆ Brug ikke værktøjet, mens du står i et træ, på en stige eller på en anden ustabil flade.
- ◆ Sørg for, at du altid har sikkert fodfæste og balance.
- ◆ Hold værktøjet godt fast med begge hænder, når motoren kører.
- ◆ Lad ikke den kørende kæde komme i kontakt med nogen genstand ved spidsen af sværdet.
- ◆ Påbegynd først savningen, når kæden bevæger sig med maksimal hastighed.
- ◆ Forsøg ikke at sætte saven i et tidligere snit. Lav et nyt snit hver gang.
- ◆ Pas på grene, der flytter sig, eller andre kræfter, der kan lukke savsporet og klemme eller falde ind i kæden.
- ◆ Forsøg ikke at save en gren over, hvis diameter er større end værktøjets skærelængde.

- ◆ Fjern altid batteriet fra værktøjet, og monter kædebeskyttelsen over kæden, når værktøjet opbevares eller transporteres.
- ◆ Hold savkæden skarp og korrekt strammet. Kontroller stramningen regelmæssigt.
- ◆ Sluk værktøjet, lad kæden stoppe, og tag batteriet ud af værktøjet, før du foretager justeringer, service eller vedligeholdelse.
- ◆ Brug kun originale reservedele og tilbehør.

### Årsager til og undgåelse af tilbageslag (kickback)

Tilbageslag kan forekomme, når spidsen af sværdet berører en genstand, eller når træet lukkes sammen, så savkæden kommer i klemme i snittet.

Kontakt på spidsen kan forårsage en pludselig modsat reaktion, så sværdet slås opad og bagud mod brugeren.

Fastklemning af savkæden oven på sværdet kan medføre, at sværdet skubbes hurtigt tilbage mod brugeren.

Begge disse reaktioner kan føre til, at du mister kontrollen med kædesaven, hvilket kan medføre alvorlig personskade.

Du må ikke udelukkende forlade dig på de indbyggede sikkerhedsfunktioner i kædesaven. Som bruger af en kædesav skal du træffe en række forholdsregler for at undgå uheld eller personskade, når du arbejder.

Et tilbageslag (kickback) opstår som følge af forkert brug eller misbrug af værktøjet. Det kan undgås ved at tage nedenstående forholdsregler.

- ◆ **Hold godt fast, således at tommelfingeren og de øvrige fingre griber omkring håndtagene på kædesaven. Hold begge hænder på kædesaven, og placer kroppen og armen, så du kan modstå tilbageslagskraften.** Tilbageslagskræfterne kan kontrolleres af brugeren, hvis der træffes de nødvendige forholdsregler. Slip ikke kædesaven.
- ◆ **Ræk dig ikke for langt, og undlad at skære over skulderhøjde.** Derved undgås berøring af spidsen ved et uheld, og du har bedre kontrol med kædesaven i uventede situationer.
- ◆ **Anvend kun udskiftningssværd og -kæder, som er godkendt af producenten.** Forkerte udskiftningssværd og -kæder kan medføre, at kæden knækker, og/eller tilbageslag.
- ◆ **Følg producentens instruktioner vedrørende slibning og vedligeholdelse af savkæden.** Hvis dybdemålerens højde reduceres, forøges risikoen for tilbageslag.

### Sikkerhedsanbefalinger for kædesaven

- ◆ Vi anbefaler kraftigt, at førstegangsbrugere modtager praktisk vejledning i brugen af kædesaven og beskyttelsesudstyr fra en øvet bruger. Indledende øvelser bør udføres ved at save i stammer på en savbuk eller et stativ.
- ◆ Vi anbefaler, at du sikrer dig, at bremsen er aktiveret, når du bærer kædesaven
- ◆ Vedligehold kædesaven, når den ikke er i brug. Kædesaven må ikke opbevares i længere tid, uden at savkæden og sværdet er afmonteret. Disse dele skal opbevares i olie. Opbevar alle kædesavens dele på et tørt, sikkert sted uden for børns rækkevidde.
- ◆ Vi anbefaler, at du tømmer oliebeholderen, før kædesaven lægges til opbevaring.
- ◆ Sørg for, at du har et sikkert fodfæste, og planlæg en sikker flugtvej fra et faldende træ eller faldende grene, før savningen påbegyndes.
- ◆ Brug kiler til at hjælpe med at styre fældningen og forhindre, at sværdet og savkæden sætter sig fast i træet.
- ◆ Behandling af savkæden. Hold savkæden skarp og stram på sværdet. Sørg for, at savkæden og sværdet er rene og velsmurte. Hold håndtagene tørre, rene og fri for olie og fedt.

Der kan forekomme tilbageslag af følgende grunde:

- ◆ Hvis man rammer grene eller andre emner uforvarende med spidsen af saven, mens savkæden kører.
- ◆ Hvis man rammer metal, cement eller andre hårde materialer ved siden af eller indlejret i træet.
- ◆ En sløv eller løs kæde.
- ◆ Savning over skulderhøjde.
- ◆ Manglende opmærksomhed, mens man holder eller styrer den kørende kædesav.
- ◆ Udstrækning. Sørg for, at du altid har sikkert fodfæste og balance hele tiden, og stræk dig ikke for langt ud.
- ◆ Forsøg ikke at sætte saven i et tidligere snit. Dette kan medføre tilbageslag. Lav et nyt snit hver gang.
- ◆ Vi fraråder kraftigt at bruge kædesaven, når du står oppe i et træ, på en stige eller på en anden ustabil overflade. Hvis du gør dette, gør vi opmærksom på, at disse arbejdsstillinger er ekstremt farlige.
- ◆ Når du saver en gren, der er under spænding, skal du passe på, når den springer tilbage, at du ikke bliver ramt, når spændingen udløses.

Undgå at save:

- ◆ Forarbejdet tømmer.
- ◆ I jord.
- ◆ I trådhegn, søm osv.

- ◆ I små kviste og unge træer, da det spinkle materiale kan gribe fat i savkæden og blive slynget mod dig eller skubbe dig ud af balance.
- ◆ Brug ikke kædesaven over skulderhøjde.
- ◆ Sørg for, at der står en anden i nærheden (men i sikker afstand) for det tilfælde, at der skulle ske et uheld.
- ◆ Hvis du af en eller anden grund skal røre ved savkæden, skal du sørge for, at kædesaven er afbrudt ved stikkontakten.
- ◆ Støjen fra dette produkt kan overstige 80 dB(A). Vi anbefaler derfor, at du tager de relevante forholdsregler til beskyttelse af hørelsen.

## Andres sikkerhed

- ◆ Dette apparat må ikke bruges af personer (herunder børn) med nedsatte fysiske, sensoriske eller mentale evner eller manglende erfaring og viden, med mindre det sker under overvågning, eller de vejledes i brugen af apparatet af en person, der er ansvarlig for deres sikkerhed.
- ◆ Børn skal holdes under opsyn, så det sikres, at de ikke leger med værktøjet.

## Vibration

De angivne værdier for udsendelse af vibration anført under de tekniske data og overensstemmelseserklæringen er målt i henhold til standardtestmetoden i EN 60745 og kan bruges til at sammenligne ét værktøj med et andet. Den angivne værdi for vibration kan også bruges som en foreløbig vurdering af eksponeringen.

**Advarsel!** Værdien for vibration ved faktisk brug af elværktøjet kan afvige fra den angivne værdi afhængig af måden, værktøjet anvendes på. Vibrationsniveauet kan overstige det angivne niveau.

- ◆ I vurderingen af eksponeringen for vibration med henblik på fastsættelse af sikkerhedsforanstaltninger som krævet i 2002/44/EF til beskyttelse af personer, der jævnligt anvender elværktøj i deres arbejde, skal der tages hensyn til de faktiske betingelser under anvendelsen og den måde, værktøjet bruges på, herunder alle arbejdsrytters elementer, f.eks. perioder, hvor værktøjet er slukket og kører i tomgang tillige med startperioderne.

## Advarselssymboler

Værktøjet er forsynet med følgende advarselssymboler:



**Advarsel!** Brugeren skal læse brugervejledningen for at reducere risikoen for skader.



Anvend ikke saven under våde forhold, og udsæt den ikke for regn.



Bær altid høreværn.



Bær altid beskyttelsesbriller.



Bær altid skridsikkert fodtøj.



Vær opmærksom på faldende genstande.



Hold andre personer på afstand.



Kontroller kædestramningen som beskrevet i denne vejledning hvert 10. minut, for at sikre at saven er sikker i brug, og juster til en frigang på 3 mm som påkrævet. Smør kæden hvert 10. minut under brug.



Kædens omløbsretning.



For at sikre konstant sikker drift må kæde og sværd kun udskiftes med originale dele fra Black & Decker. Kædens reservedelsnummer er A6158, sværdets reservedelsnummer er 90517720.

## Yderligere sikkerhedsvejledninger - batterier og opladere

### Batterier

- ◆ Forsøg aldrig at åbne uanset årsag.
- ◆ Batteriet må ikke udsættes for fugt.
- ◆ Batteriet må ikke udsættes for varme.
- ◆ Opbevar ikke batterier på steder, hvor temperaturen kan overstige 40°C.
- ◆ Oplad kun ved omgivelsestemperaturer mellem 10°C og 40°C.
- ◆ Brug kun den oplader, der fulgte med apparatet/ værktøjet, til opladning. Brug af den forkerte oplader kan medføre elektrisk stød eller overophedning af batteriet.
- ◆ Følg vejledningen i afsnittet "Miljøbeskyttelse" ved bortskaffelse af batterier.
- ◆ Undgå at beskadige/deformere batteripakken ved at punktere den eller slå på den, da dette kan forårsage risiko for tilskadekomst eller brand.
- ◆ Beskadigede batterier må ikke oplades.
- ◆ Under ekstreme forhold kan der forekomme batterilækage. Hvis du bemærker væske på batterierne, skal du omhyggeligt tørre den af med en klud. Undgå kontakt med huden.



- ◆ I tilfælde af kontakt med hud eller øjne, skal du følge nedenstående anvisninger.

**Advarsel!** Batterivæsken kan forårsage personskade eller materielle skader. I tilfælde af kontakt med huden skylles straks med vand. Søg læge, hvis der opstår rødme, smerte eller irritation. Skyl straks med rent vand, og søg læge i tilfælde af kontakt med øjnene.

### Ladere

Ladere er udviklet til en specifik spænding. Kontroller altid, at netspændingen svarer til spændingen på typeskiltet.

**Advarsel!** Forsøg aldrig at erstatte laderenheden med et almindeligt netstik.

- ◆ Brug kun din Black & Decker-lader til at oplade batteriet i det apparat/værktøj, som den blev leveret sammen med. Andre batterier kan eksplodere og forårsage personskade og materiel skade.
- ◆ Forsøg aldrig at oplade ikke-genopladelige batterier.
- ◆ Hvis netledningen beskadiges, skal den udskiftes af producenten eller et autoriseret Black & Decker-værksted, så farlige situationer undgås.
- ◆ Ladere må ikke udsættes for fugt.
- ◆ Ladere må ikke åbnes.
- ◆ Undersøg ikke ladere.
- ◆ Apparatet/værktøjet/batteriet skal anbringes et sted med god udluftning, når det oplades.

### Etiketter på ladere

Ladere er forsynet med følgende advarselssymboler:



Læs brugsanvisningen omhyggeligt igennem, inden apparatet tages i brug.



Ladere slår automatisk fra, hvis omgivelsestemperaturen bliver for høj. Som følge deraf holder ladere op med at fungere. Laderens basisenhed skal afbrydes fra netforsyningen og indleveres til reparation på et autoriseret værksted.



Fortag kun opladning ved omgivelsestemperaturer mellem 10°C og 40°C.



Laderens basisenhed er kun beregnet til indendørs brug.



Ladere er dobbelt isoleret. Derfor er en jordledning ikke nødvendig. Kontroller altid, at netspændingen svarer til spændingen på typeskiltet.

### Elektricitet og sikkerhed



Ladere er dobbelt isoleret. Derfor er en jordledning ikke nødvendig. Kontroller altid, at netspændingen svarer til spændingen på typeskiltet.

Hvis netledningen beskadiges, skal den udskiftes af producenten eller et autoriseret Black & Decker-værksted, så farlige situationer undgås.

**Advarsel!** Forsøg aldrig at erstatte laderenheden med et almindeligt netstik.

### Funktioner

1. Afbryder
2. Låseknap
3. Oliedæksel
4. Oliveholder
5. Frontafskærmningssamling
6. Kædeskærmssamling
7. Kædespændingsjusteringsskrue
8. Kæde
9. Sværd
10. Batteri
11. Kædebeskytter
12. Opladerholder
13. Lader

### Montering

**Advarsel!** Tag batteriet (10) ud af værktøjet, inden det samles.

#### Montering og afmontering af batteriet (fig. A)

- ◆ Anbring batteriet (10) ud for værktøjets fatning, når batteriet skal monteres. Lad batteriet (10) glide ind i fatningen, og skub, indtil batteriet (10) går på plads.
- ◆ Tryk på udløserknappen (24), og træk samtidigt batteriet (10) ud af fatningen for at tage batteriet (10) ud.

**Advarsel!** For at forhindre utilsigtet drift skal du sikre dig, at batteriet er taget ud, og at kædedækslet (11) sidder på savkæden (8), før du udfører følgende handlinger. I modsat fald kan der opstå alvorlige personskader.

#### Opladning af batteriet (fig. B & C)

Batteriet skal oplades, for det tages i brug for første gang, og derefter skal der genoplades når maskinen virker trang og ikke længere arbejder med vanlig præstation. Når batteriet oplades for første gang eller efter en længere periode uden at være brugt, kan det kun oplades 80%. Efter adskillige opladningsog afladningsperioder opnar batteriet fuld kapacitet. Batteriet kan blive opvarmet under opladning; dette er normalt og er ikke ensbetydende med, at der er problemer.

**Advarsel!** Batteriet må ikke oplades i omgivelsestemperaturer på under 10°C eller over 40°C. Anbefalet opladningstemperatur: ca. 24°C.

## 8 timers lader (fig. B)

- ◆ Oplad batteriet (10) ved at fjerne det fra værktøjet og skubbe opladerholderen (12) på plads på batteriet.
- ◆ Sat opladeren (13) i stikkontakten.

Batteriet (10) er fuldt opladet efter ca. 8 timer. Det kan fjernes på et hvilket som helst tidspunkt eller efterlades i den tilsluttede oplader, så længe det skal være.

## 1 times lader (fig. C)

- ◆ For at oplade batteriet (10), fjernes det fra værktøjet og sættes ind i laderen (23). Batteriet kan kun sættes ind på en måde. Man må ikke tvinge det. Man skal sikre sig, at batteriet er fuldstændig indsat i laderen.
- ◆ Sat laderen i stikkontakten.

Check, at den røde opladningsindikator lyser. Hvis den grønne ende af opladningsindikatoren lyser, betyder det, at batteriet er for varmt og derfor ikke kan oplades. Hvis dette sker, fjernes batteriet fra opladeren og køles ned i ca. 1 time, hvorefter det kan sættes i opladeren igen.

Efter ca. 1 times opladning holder den røde opladningsindikator op med at lyse, og den grønne ende af opladningsindikatoren lyser. Batteriet er nu fuldt opladet.

- ◆ Fjern batteriet fra opladeren.

## Montering og afmontering af savkæden (fig. D - F og H)



Brug altid beskyttelseshandsker ved montering eller afmontering af savkæden (8). Savkæden er skarp og kan skære, selvom den ikke kører.

- ◆ Anbring værktøjet på en fast og stabil overflade.
- ◆ Løsn de 2 unbrakoskruer (14) med den medfølgende unbrakonøgle (21). Fjern unbrakoskruerne (14).
- ◆ Tag kædebeskytteren af (6).
- ◆ Drej skruen til justering af kædens stramning (7) mod uret, så sværdet (9) trækkes tilbage, og savkædens (8) stramning reduceres.
- ◆ Fjern den gamle savkæde (8) fra kædehulets tand (15) og sværdet (9).
- ◆ Placer den nye savkæde (8) i rillen på sværdet (9) og omkring kædehulets tand (15). Kontroller, at tænderne vender den rigtige vej ved at sætte pilen på savkæden (8) i samme retning som pilen på kædebeskytteren (6).
- ◆ Kontroller, at rillen (17) i sværdet (9) sidder over monteringsstifterne (18), og huller (20) under rullen sidder over justeringsstiften (19).
- ◆ Monter kædebeskytteren (6) og de 2 unbrakoskruer (14).

- ◆ Spænd unbrakoskruerne (14) med den medfølgende unbrakonøgle (21).
- ◆ Juster kædens stramning som beskrevet herunder.

## Kontrol og justering af kædens stramning (fig. D og F)

- ◆ Kontroller savkædens stramning. Stramningen er korrekt, når savkæden (8) springer tilbage efter af være trukket 3 mm fri af sværdet (9) med let kraft af langfingeren og tommelfingeren. Der må ikke være nogen "nedbøjning" mellem sværdet (9) og savkæden (8) på undersiden.

Sådan justeres stramningen:

- ◆ Løsn de 2 unbrakoskruer (14).
- ◆ Drej skruen til justeringen af kædens stramning (7) med uret.

**Advarsel!** Stram ikke kæden for kraftigt, da dette vil medføre kraftig slitage og forkorte sværdets og kædens levetid.

- ◆ Spænd de 2 unbrakoskruer (14), når kædens stramning er korrekt.

**Advarsel!** Når savkæden er ny, skal stramningen kontrolleres ofte under de første to timers brug, da nye savkæder strækker sig en smule.

## Fyldning af oliebeholderen (fig. H)

- ◆ Fjern oliedækslet (3), og fyld beholderen (4) med den anbefalede kædeolie. Du kan se oliestanden i oliebeholderen (4). Sæt oliedækslet (3) på igen.
- ◆ Stop regelmæssigt, og kontroller oliestanden; hvis beholderen er mindre end kvart fyldt, skal du fjerne batteriet (10) fra værktøjet og fylde beholderen (4) med den korrekte olie.

## Smøring af kæden (fig. H)

Savkæden (8) skal altid smøres før brug og efter rengøring med olie af korrekt kvalitet (kat. nr. A6027).

- ◆ Smør savkæden (8) ved at trykke på kuglen på oliedækslet (3) to gange, før hver savning; hold kuglen nede i 3-4 sekunder.

## Restrisici

Der kan opstå yderligere restrisici under brugen af værktøjet, som ikke kan medtages i vedlagte sikkerhedsadvarsler. Disse risici kan opstå pga. forkert anvendelse, langvarig brug etc.

Selv ved overholdelse af relevante sikkerhedsforskrifter og anvendelse af sikkerhedsudstyr kan visse restrisici ikke undgås. Disse omfatter:

- ◆ Tilskadekomst forårsaget af berøring af roterende/bevægelige dele.
- ◆ Tilskadekomst forårsaget af udskiftning af dele, blade eller tilbehør.

- ◆ Tilskadekomst forårsaget af langvarig brug af et værktøj. Husk at holde pause jævnlige ved brug af et værktøj i længere tid.
- ◆ Høreskader.
- ◆ Sundhedsrisici forårsaget af indånding af støv, der genereres ved brug af værktøjet (eksempel: Arbejde med træ, især, eg, bøg og MDF).

## Anvendelse

### Tænd og sluk (fig. H)

**Advarsel!** Lad værktøjet arbejde i dets eget tempo, overbelast det ikke.

Værktøjet er af hensyn til din sikkerhed udstyret med et dobbelt afbrydersystem. Dette system forhindrer utilsigtet start af værktøjet.

### Start

- ◆ Tryk på låseknappen (2), og klem samtidig på afbryderen (1).
- ◆ Slip låseknappen (2).

### Stop

- ◆ Slip afbryderen (1).

**Advarsel!** Forsøg aldrig at fastlåse en kontakt i tændt position.

### Beskæring af træer (fig. I)

Kontroller, at der ikke er lokale vedtægter eller bestemmelser, som forbyder eller begrænser beskæring af træer. Beskæring må kun udføres af erfarne brugere, da der er forøget risiko for, at savkæden (8) klemmes fast og slår tilbage.

Før beskæring skal du overveje de forhold, der påvirker faldretningen, bl.a.:

- ◆ Længde og vægt af den gren, der skal skæres af.
- ◆ En usædvanligt tung stammestruktur eller forrådnelse.
- ◆ Omkringstående træer og hindringer inkl. el-ledninger.
- ◆ Vindens hastighed og retning.
- ◆ At grenen flettes ind i andre grene.

Brugeren skal overveje adgangen til grenen og faldretningen. Grenen vil sandsynligvis svinge mod træstammen. Ud over brugeren er tilskuere, genstande og ejendom under grenen udsat.

For at undgå splintring skal der først skæres et snit opad til maks. en tredjedel af grenens tykkelse. Det andet snit skæres nedefter, så det møder det første.

### Let savning (fig. J)

Den måde, du skal save på, afhænger af, hvordan stammen er understøttet. Brug en savbuk, når det er muligt. Start altid et snit med savkæden (8) kørende og den takkede kant i berøring med træet. Færdiggør snittet med en drejebævegelse af den takkede kant mod træet.

Hvis stammen er understøttet i hele sin længde:

- ◆ Lav et nedadgående snit, men undgå at skære i jorden, da dette hurtigt vil kunne forringe savkæden.

Hvis stammen er understøttet i begge ender:

- ◆ Skær først en tredjedel ned for at undgå splintring, og sav derefter igen for at møde det første snit.

Hvis stammen er understøttet i den ene ende:

- ◆ Skær først en tredjedel opad for at undgå splintring, og skær derefter nedad for at forhindre splintring.

Hvis du står på en skråning:

- ◆ Stå altid oven for arbejdsstedet.

Hvis du bruger en savbuk (fig. J):

Dette anbefales kraftigt, når det er muligt.

- ◆ Anbring stammen, så den ligger stabilt. Skær altid på ydersiden af savbukkens arme. Brug klemmer eller remme til at fastgøre arbejdsemnet.

## Rengøring, vedligeholdelse og opbevaring

Dit Black & Decker-værktøj er beregnet til brug gennem lang tid med et minimum af vedligeholdelse.

Fortsat tilfredsstillende drift afhænger af korrekt behandling af værktøjet samt regelmæssig rengøring.

Laderen kræver ingen vedligeholdelse, men skal rengøres jævnlige.

**Advarsel!** Tag batteriet ud af værktøjet, inden der foretages vedligeholdelse på værktøjet. Træk laderen ud af stikkontakten, før den rengøres.

### Montering af batterihætten (fig. K)

**Advarsel!** Sæt hætten (22) på batteriet (10) ved transport og opbevaring.

### Efter brug og før opbevaring

Rengør regelmæssigt ventilationsåbningerne med en ren, tør pensel.

Brug kun en mild sæbe og en fugtig klud til rengøring af værktøjet. Lad aldrig væske trænge ind i værktøjet, og nedsenk aldrig nogen del af værktøjet i væske.

- ◆ Fjern snavs med en hård børste.
- ◆ Smør kæden (8) med olie.

## Slibning af savkæden

Hvis værktøjet skal yde sit bedste, er det vigtigt at holde tænderne på savkæden skarpe. Du finder vejledningen til denne fremgangsmåde på slibesættet. Til dette formål anbefaler vi Black & Deckers slibesæt til savkæder, der fås hos Black & Decker-forhandlere (kat. nr. A6039).

## Udskiftning af slidte eller beskadigede savkæder og sværd.

Du kan købe udskiftningssavkæder hos Black & Decker-forhandlere (delnr. A6158). Udskiftningssværd fås kun hos Black & Decker-forhandlere (delnr. 90517720). Brug kun originale kæder og sværd fra Black & Decker, så du undgår risikoen for at komme til skade. Brug altid originale reservedele.

## Savkædens skarphed

Skærerne på savkæden bliver øjeblikkeligt sløve, hvis de berører jorden eller et søm under savning.

## Savkædens spænding

Kontroller savkædespændingen regelmæssigt.

## Hvad du skal gøre, hvis kædesaven skal repareres.

Dette værktøj overholder de relevante sikkerhedsforskrifter. Reparationer må kun foretages af en dertil kvalificeret person, som bruger originale reservedele. I modsat fald kan der opstå betydelig fare for brugeren. Vi anbefaler, at du opbevarer denne vejledning et sikkert sted.

## Opbevaring

Hvis værktøjet ikke skal bruges i flere måneder, er det bedst at lade batteriet (10) sidde i laderen.

Eller gør som følger:

- ◆ Tag batteriet (10) af værktøjet.
- ◆ Oplad batteriet helt (10).
- ◆ Opbevar værktøjet og batteriet (10) på et sikkert og tørt sted. Opbevaringstemperaturen skal ligge mellem +5 °C og +40°C. Anbring batteriet (10) på en plan overflade.
- ◆ Oplad batteriet (10) helt igen, inden værktøjet tages i brug efter længere tids opbevaring.

## Miljø



Separat bortskaffelse. Dette produkt må ikke bortskaffes sammen med almindeligt husholdningsaffald.

Hvis dit Black & Decker-produkt en dag skal udskiftes, eller du ikke længere har brug for det, må det ikke smides ud sammen med det almindelige affald, men er underlagt reglerne om affaldssortering og skal afleveres på en genbrugsstation.



Ved separat bortskaffelse af brugte produkter og emballage bliver der mulighed for at genanvende forskellige materialer. Genanvendelse af materialer medvirker til at forebygge miljøforurening og mindsker behovet for råstoffer.

Lokal lovgivning kan kræve separat indsamling af elektriske husholdningsapparater på kommunale affaldsdepoter eller af den detailhandlende ved køb af et nyt produkt.

Black & Decker sørger for at indsamle og genanvende Black & Decker-produkter, når disse ikke længere kan bruges. Hvis du vil benytte dig af denne service, skal du returnere produktet til et autoriseret værksted, der indsamler produkterne for os.

Kontakt det lokale Black & Decker-kontor på den adresse, der er angivet i denne vejledning, for at få oplysninger om det nærmeste autoriserede værksted. En liste over alle autoriserede Black & Decker-serviceværksteder samt servicevilkår og kontaktpersoner er tilgængelig på internettet på adressen: [www.2helpU.com](http://www.2helpU.com).

## Batterier



Black & Decker-batterier kan genoplades mange gange. Når batterier er udtjente, skal de bortskaffes under passende hensyntagen til miljøet:

- ◆ Brug batteriet, til det er helt afladet, og tag det derefter ud af værktøjet.
- ◆ NiCd- og MiMH-batterier kan genbruges. Aflever dem på et autoriseret værksted eller en lokal genbrugsstation.

## Tekniske data

	GKC1817 H1	GKC1817P H1	GKC1817NM H1
Spænding	VDC 18	18	18
Kædehastighed (ubelastet)	min. <sup>-1</sup> 190	190	190
Vægt	kg 2	2	2

Batteri	A18 GKC1817	A1718 GKC1817P	A18NH GKC1817NM
Spænding	VDC 18	18	18
Kapacitet	Ah 1,5	1,7	1,5
Vægt	kg 0,8	0,8	0,8

Lader	TPCA-240080*1	TPCA-240080*2	31190*-*	TPCA-180021*1
Model	GKC1817, GKC1817P	GKC1817NM	GKC1817, GKC1817P	GKC1817NM
Indgangsspænding	Vac 200-240	200-240	230-240	230-240
Udgangsspænding	Vdc 18	18	21,75	21,75
Udgangsstrømstyrke	mA 800	800	210 / 230	200-240
Ladetid ca.	t 1	1	8	8
Vægt	kg 0,399	0,4	0,365	0,556

Garanteret lydtrykniveau, målt i overensstemmelse med 2000/14/EF:

$L_{pA}$  (lydtryk) 78,6 dB(A), usikkerhed (K) 3 dB(A)

$L_{WA}$  (Lydeffekt) 89,6 dB(A), usikkerhed (K) 3 dB(A)

$L_{WA}$  (garanteret) 90 dB(A)

Bær altid høreværn, hvis lydtrykket overstiger 80 dB (A).

Den vægtede vibrationsværdi for hånd/armi henhold til EN60745: 4 m/sek.<sup>2</sup>

**EU overensstemmelseserklæring**

MASKINDIREKTIV

**GKC1817, GKC1817P, GKC1817NM**

Black & Decker erklærer, at produkterne beskrevet under "Tekniske data" er i overensstemmelse med: 2006/42/EF, EN60745-1, EN60745-2-13

Kontakt Black & Decker på nedenstående adresse, eller se bagsiden af vejledningen.

Undertegnede er ansvarlig for udarbejdelsen af de tekniske data og fremsætter denne erklæring på vegne af Black & Decker.

Kevin Hewitt  
Vice-President Global Engineering  
Black & Decker Europe, 210 Bath Road, Slough,  
Berkshire, SL1 3YD  
Storbritannien  
12-04-2010

**Reservevedele / reparationer**

Reservevedele kan købes hos autoriserede Black & Decker serviceværksteder, som giver forslag til omkostninger og reparerer vore produkter.

Oversigt over vore autoriserede værksteder findes på internettet på vor hjemmeside [www.blackanddecker.dk](http://www.blackanddecker.dk) samt [www.2helpU.com](http://www.2helpU.com).

**Garanti**

Black & Decker garanterer, at produktet er fri for materielle skader og/eller fabrikationsfejl ved levering til kunden. Garantien er et tillæg til forbrugers lovsikrede rettigheder og påvirker ikke disse. Garantien gælder inden for medlemsstaterne af Den Europæiske Union og i Det Europæiske Frihandelsområde.

Hvis et Black & Decker-produkt går i stykker på grund af materiel skade og/eller fabrikationsfejl eller på anden måde ikke fungerer i overensstemmelse med specifikationen inden for 24 måneder fra købsdatoen, påtager Black & Decker sig at reparere eller ombytte produktet med mindst mulig ulempe for kunden. Garantien gælder ikke for fejl og mangler, der er sket i forbindelse med:

- ◆ Produktet har været anvendt erhvervsmæssigt eller til udlejning.
- ◆ Produktet har været anvendt forkert eller er ikke vedligeholdt.
- ◆ Produktet er beskadiget af fremmedlegemer, substanser eller pga. uheld.
- ◆ Garantien gælder ikke, hvis reparationer er udført af andre end et autoriseret Black & Decker-værksted.

For at udnytte garantien skal produktet og købskvitteringen indleveres til forhandleren eller til et autoriseret værksted. Kontakt det lokale Black & Decker-kontor på den adresse, der er opgivet i denne vejledning, for at få oplysninger om det nærmeste autoriserede værksted. En liste over alle autoriserede Black & Decker-serviceværksteder samt servicevilkår er tilgængelig på internettet på adressen: [www.2helpU.com](http://www.2helpU.com)

Gå venligst ind på vores website [www.blackanddecker.dk](http://www.blackanddecker.dk) for at registrere dit nye produkt og for at blive holdt ajour om nye produkter og specialtilbud. Der findes yderligere oplysninger om mærket Black & Decker og vores produktsortiment på adressen [www.blackanddecker.dk](http://www.blackanddecker.dk).

## Käyttötarkoitus

Kompakti Black & Decker -ketjusaha on tarkoitettu kevyeen katkaisuun ja karsintaan. Kone on tarkoitettu vain kotikäyttöön.

## Turvallisuusohjeet

### Sähkötyökalujen yleiset turvavaroitukset



**Varoitus! Lue kaikki turvavaroitukset ja ohjeet.**

Ohjeiden noudattamisen laiminlyönti saattaa johtaa sähköiskuun, tulipaloon ja/tai vakavaan loukkaantumiseen.

### Säästä kaikki varoitukset ja ohjeet tulevaa käyttöä varten.

Ohjeissa käytetty käsite "sähkötyökalu" tarkoittaa verkkokäyttöisiä sähkötyökaluja (verkkojohdolla) ja akkukäyttöisiä sähkötyökaluja (ilman verkkojohtoa).

#### 1. Työalueen turvallisuus

- Pidä työalue puhtaana ja hyvin valaistuna.** Työpaikan epäjärjestys ja valaisemattomat työalueet voivat johtaa tapaturmiin.
- Älä käytä sähkötyökalua räjähdysalttiissa ympäristössä, jossa on palavaa nestettä, kaasua tai pölyä.** Sähkötyökalu muodostaa kipinöitä, jotka saattavat sytyttää pölyn tai höyryt.
- Pidä lapset ja sivulliset loitolla sähkötyökalua käyttäessäsi.** Voit menettää laitteen hallinnan, jos huomiosi suuntautuu muualle.

#### 2. Sähköturvallisuus

- Sähkötyökalun pistokkeen tulee sopia pistorasiaan. Pistoketta ei saa muuttaa millään tavalla. Älä käytä mitään pistorasiasovittimia maadoitettujen sähkötyökalujen kanssa.** Alkuperäiset pistokkeet ja niille sopivat pistorasiat vähentävät sähköiskun vaaraa.
- Vältä koskettamasta maadoitettuja pintoja, kuten putkia, pattereita, liesiä tai jääkaappeja.** Sähköiskun vaara kasvaa, jos kehosi on maadoitettu.
- Älä altista sähkötyökalua sateelle tai kosteudelle.** Veden tunkeutuminen sähkötyökalun sisään kasvattaa sähköiskun riskiä.
- Älä käsittele virtajohtoa kovakouraisesti. Älä käytä sitä sähkötyökalun kantamiseen, vetämiseen tai pistokkeen irrottamiseen pistorasiasta. Pidä johto loitolla kuumuudesta, öljystä, terävistä reunoista ja liikkuvista osista.** Vahingoittuneet tai sotkeutuneet johdot lisäävät sähköiskun vaaraa.
- Käyttäessäsi sähkötyökalua ulkona käytä ainoastaan ulkokäyttöön soveltuvaa jatkojohtoa.** Ulkokäyttöön soveltuvan jatkojohtoon käyttö pienentää sähköiskun vaaraa.

- Jos sähkötyökalua on välttämättä käytettävä kosteassa paikassa, käytä jännönsvirtalaitteella (RCD) suojattua virtälähdettä.** Jännönsvirtalaitteen käyttö vähentää sähköiskun vaaraa.
- Henkilöturvallisuus**
    - Keskity työskentelyysi ja noudata tervettä järkeä käyttäessäsi sähkötyökaluja. Älä käytä sähkötyökalua, jos olet väsynyt tai huumeiden, alkoholin tai lääkkeiden vaikutuksen alaisena.** Hetken tarkkaamattomuus sähkötyökalua käytettäessä saattaa johtaa vakavaan loukkaantumiseen.
    - Käytä henkilökohtaisia suojavarusteita. Käytä aina suojalaseja.** Suojavarusteet, kuten hengityssuojain, luistamattomat turvajalkineet, kypärä ja kuulosuojaimet, pienentävät loukkaantumisriskiä, jos niitä käytetään tilanteen mukaan oikein.
    - Vältä tahatonta käynnistämistä. Varmista, että kytkin on off-asennossa, ennen kuin liität laitteen virtälähteeseen ja/tai akkuun, nostat laitteen tai kannat sitä.** Onnettomuusvaara lisääntyy, jos kannat sähkötyökalua sormi käyttökytkimellä tai kytket työkalun virtajohtoon pistorasiaan, kun käyttökytkin on päällä.
    - Irrota mahdollinen säätö- tai kiintoavain, ennen kuin käynnistät sähkötyökalun.** Sähkötyökalun pyöriivään osaan kiinni jäänyt avain voi johtaa loukkaantumiseen.
    - Älä kurkota liian kauas. Seiso aina tukevasti ja tasapainossa.** Tällöin voit paremmin hallita sähkötyökalua yllättävissä tilanteissa.
    - Käytä tarkoitukseen soveltuvia vaatteita. Älä käytä löysiä työvaatteita tai koruja. Pidä hiukset, vaatteet ja käsineet loitolla liikkuvista osista.** Väljäät vaatteet, korut ja pitkät hiukset voivat takertua liikkuviin osiin.
    - Jos sahana voi kiinnittää purunkerääjän tai -imurin, tarkista, että se on paikallaan ja että se toimii kunnolla.** Näiden laitteiden käyttö vähentää pölyhaittoja.
  - Sähkötyökalujen käyttö ja hoito**
    - Älä ylikuormita laitetta. Käytä kyseiseen työhön tarkoitettua sähkötyökalua.** Sopivaa sähkötyökalua käyttäen työskentelet paremmin ja turvallisemmin tehoalueella, jolle sähkötyökalu on tarkoitettu.
    - Älä käytä sähkötyökalua, jota ei voida käynnistää ja pysäyttää virtakytkimestä.** Jos sähkötyökalua ei voi käynnistää ja pysäyttää virtakytkimellä, se on vaarallinen ja se täytyy korjata.
    - Irrota pistotulppa pistorasiasta ja/tai akku laitteesta, ennen kuin suoritat säätöjä, vaihdat tarvikkeita tai siirrät sähkötyökalun varastoitavaksi.** Nämä turvatoimenpiteet pienentävät sähkötyökalun tahattoman käynnistämisen riskiä.

- d. Säilytä sähkötyökalut poissa lasten ulottuvilta, kun niitä ei käytetä. Älä anna sähkötyökalua sellaisen henkilön käyttöön, joka ei tunne sitä tai joka ei ole tutustunut tähän käyttöohjeeseen. Sähkötyökalut ovat vaarallisia kokemattoman käyttäjän käsissä.
- e. Hoida sähkötyökalusi huolella. Tarkista, että liikkuvat osat toimivat moitteettomasti ja etteivät ne ole puristuksessa. Tarkista myös, ettei työkalussa ei ole murtuneita tai vahingoittuneita osia, jotka saattaisivat vaikuttaa haitallisesti sen toimintaan. Korjauta mahdolliset viat ennen käyttöönottoa. Moni tapaturma aiheutuu huonosti huolletuista laitteista.
- f. Pidä leikkausterät terävinä ja puhtaina. Huolellisesti hoidettu, terävä leikkausterä ei tartu herkästi kiinni, ja sitä on helpompi hallita.
- g. Käytä sähkötyökaluja, tarvikkeita, vaihtotyökaluja jne. näiden ohjeiden mukaisesti. Ota tällöin huomioon työolosuhteet ja suoritettava toimenpide. Sähkötyökalun käyttö muuhun kuin sille määrättyyn käyttöön saattaa johtaa vaarallisiin tilanteisiin.
5. **Akkukäyttöisten työkalujen käyttö ja hoito**
- a. **Lataa akku vain valmistajan määrittelemässä laturissa.** Laturi, joka soveltuu määrätyn tyyppiselle akulle, saattaa muodostaa tulipalovaaran erilaista akkua ladattaessa.
- b. **Käytä sähkötyökalussa ainoastaan kyseiseen sähkötyökaluun tarkoitettua akkua.** Muun tyyppisen akun käyttö saattaa johtaa loukkaantumiseen ja tulipaloon.
- c. **Suojaa akkua irrallisilta metalliesineiltä, kuten paperinliittimiltä, kolikoilta, avaimilta, nautoilta ja ruuveilta, jotka voivat aiheuttaa akkuun oikosulun.** Akun koskettimien välinen oikosulku saattaa aiheuttaa palovammoja tai tulipalon.
- d. **Väärin käytetystä akusta voi vuotaa nestettä. Älä kosketa sitä. Jos nestettä pääsee vahingossa iholle, huuhtele kosketuskohta vedellä. Jos nestettä pääsee silmiin, tarvitaan lisäksi lääkärin apua.** Akusta vuotava neste saattaa aiheuttaa ärsytystä ja palovammoja.
6. **Huolto**
- a. **Anna koulutettujen ja ammattitaitoisten henkilöiden korjata sähkötyökalusi ja hyväksy korjauksiin vain alkuperäisiä varaosia.** Näin varmistat, että sähkötyökalu säilyy turvallisena.

## Sähkötyökalujen lisäturvavaroitukset



**Varoitukset!** Kompaktien ketjusahojen lisäturvavaroitukset.

Työkalun käyttötarkoitus on kuvattu tässä käyttöohjeessa. Älä käytä työkalua muihin tarkoituksiin, esimerkiksi puiden kaatamiseen. Muiden kuin ohjeissa suositeltujen lisävarusteiden tai -osien käyttö sekä työkalun käyttö muuhun kuin oppaassa suositeltuun tarkoitukseen voi aiheuttaa henkilövahingon vaaran.

- ◆ Pukeudu tiukasti istuviin ja suojaaviin vaatteisiin ja käytä suojakypärää, visiiriä/suojalaseja, kuulosuojaimia, luistamattomia turvajalkineita, suojahousuja ja vahvoja nahkakäsineitä.
- ◆ Pysyttele poissa putoavien oksien alta.
- ◆ Turvallinen etäisyys katkaistavan oksan sekä sivullisten, rakennusten ja muiden rakenteiden välillä on vähintään 2,5 kertaa oksan pituus. Putoavat oksat voivat osua tätä etäisyyttä lähempänä oleviin sivullisiin, rakennuksiin tai muihin rakenteisiin aiheuttaen vaaratilanteita.
- ◆ Suunnittele turvallinen poistumisreitti putoavien oksien luota. Varmista, että aikomassasi väistämissuunnassa ei ole siirtymistä rajoittavia esteitä. Muista, että märkä ruoho ja juuri irronnut puunkuori ovat liukkaita.
- ◆ Varmista, että joku on lähellä (mutta turvallisen etäisyyden päässä) onnettomuuden varalta.
- ◆ Älä käytä työkalua ollessasi puussa, tikkailla tai jollakin muulla epävakaaalla alustalla.
- ◆ Seiso aina tukevasti ja tasapainossa.
- ◆ Pidä työkalusta kiinni tukevasti molemmin käsin moottorin käydessä.
- ◆ Ketjun pyöriessä varo, ettei terälevyn kärki osu mihinkään kohteeseen.
- ◆ Aloita katkaisu vain ketjun pyöriessä täydellä nopeudella.
- ◆ Älä sahaa vanhasta sahausurasta. Tee aina uusi sahausviilto.
- ◆ Tarkkaile oksan liikkeitä, sillä katkaisukohtaan saattaa kohdistua voimaa, joka johtaa terän takertumiseen katkaisukohtaan.
- ◆ Älä yritä katkaista oksaa, joka on paksumpi kuin työkalun sahaussyvyys.
- ◆ Kun varastoit työkalun tai kuljetat sitä, poista akku aina ensin työkalusta ja aseta ketjukoppa ketjun päälle.
- ◆ Pidä teräketju terävänä ja oikealla kireydellä. Tarkista kireys säännöllisesti.
- ◆ Sammuta laite, anna teräketjun pysähtyä ja irrota akku laitteesta, ennen kuin säädät tai huollat laitetta.
- ◆ Käytä aina vain alkuperäisiä varaosia ja lisävarusteita.



## Takapotkun syyt ja niiden estäminen

Takapotkun voi aiheuttaa laipan kärjen osuminen johonkin tai terän jääminen puristuksiin.

Laipan kärjen osuminen kiinteään kohteeseen voi potkaista pyörivän ketjun voimakkaasti päin sahaajaa.

Teräketjun puristuminen laipan yläpintaan voi myös aiheuttaa nopean takapotkun.

Molemmat edellä kuvatuista tilanteista voivat johtaa sahan hallinnan menetykseen ja loukkaantumiseen. Älä luota pelkästään ketjusahan turvalaitteisiin. Ketjusahan käyttäjän tulee itse huolehtia siitä, etteivät sahausolosuhteet aiheuta vaaratilanteita.

Takapotku on seuraus sahan vääristä käyttöavoista tai -olosuhteista ja sen voi välttää noudattamalla alla kuvattuja varotoimia.

- ◆ **Tartu sahaan lujalla otteella kummastakin kahvasta. Kun kädet pitävät kiinni sahasta, asetu sellaiseen asentoon, että voit vastustaa takapotkua.** Sahaaja pystyy hyvin vastustamaan takapotkun voimaa noudattamalla esitettyjä varotoimia. Älä hellitä otettasi sahasta kesken työn.
- ◆ **Älä kurkota liikaa äläkä sahaa hartiatason yläpuolella.** Näin estät tahattomat kärkikosketukset ja pystyt paremmin hallitsemaan sahaa yllättävissä tilanteissa.
- ◆ **Käytä varaosina vain valmistajan suosittelemia laippoja ja ketjuja.** Sahaan sopimattomat laipat tai ketjut voivat johtaa ketjurikkoihin tai takapotkuihin.
- ◆ **Noudata valmistajan antamia sahan teroitus- ja huolto-ohjeita.** Syyvyysohjaimen madaltaminen voi lisätä sahan alttiutta takapotkuihin.

## Ketjusahan turvasuositukset

- ◆ Ensikertalaisten sahan käyttäjien on erittäin suositeltavaa kysyä käytännön ohjeita ja neuvoja kokeneelta sahaajalta. Sahan käyttöä kannattaa opetella sahaamalla halkoja sahapukissa.
- ◆ Ketjusahan kuljetuksen aikana ketjujarrun käyttö on suositeltavaa.
- ◆ Pidä ketjusaha hyvässä kunnossa, kun se ei ole käytössä. Jos ketjusaha on pitkiä aikoja käyttämättä, irrota teräketju ja laippa ja säilytä ne öljyn upotettuna. Säilytä ketjusahaa kuivassa, turvallisessa paikassa poissa lasten ulottuvilta.
- ◆ Öljysäiliö kannattaa tyhjentää ennen varastointia.
- ◆ Varmista, että seisot tukevalla alustalla. Katso etukäteen turvallinen poistumisreitti kaatuvan puun tieltä.
- ◆ Ohjaa puun kaatumissuuntaa kiloilla. Kiilojen avulla voit myös estää ketjun ja laipan juuttumisen leikkausuraan.

- ◆ Ketjusahan huoltaminen Pidä teräketju terävänä ja sopivan tiukalla. Huolehdi siitä, että ketjusaha ja laippa ovat puhtaat ja hyvin öljytyt. Pidä kädensijat kuivina ja öljyttöminä.

Takapotkun voi aiheuttaa:

- ◆ Sahan kärjen osuminen vahingossa oksiin tai muihin esineisiin ketjun pyöriessä.
- ◆ Terän osuminen puun lähellä tai sisällä olevaan metalliin, betoniin tai muuhun kovaan materiaaliin.
- ◆ Tylsä tai löysä ketju.
- ◆ Sahaaminen hartiatason yläpuolella.
- ◆ Tarkkaavaisuuden herpaantuminen sahausken aikana.
- ◆ Kurkottaminen. Seiso aina tukevasti ja tasapainossa äläkä kurkota.
- ◆ Älä sahaa vanhasta sahausurasta. Se voi aiheuttaa takapotkun. Tee joka kerta uusi sahausviilto.
- ◆ Älä käytä ketjusahaa puussa, tikapuilla tai millään epävakaaalla alustalla. Jos teet niin, muista, että tällainen työskentelyasento on erittäin vaarallinen.
- ◆ Kun sahaat jännittyneitä oksia, huomioi, että se voi singahtaa takaisin.

Vältä:

- ◆ Käsitellyn puutavaran sahaamista.
- ◆ Maahan sahaamista.
- ◆ Verkkooitojen, naulojen jne. sahaamista.
- ◆ Pensaiden tai aivan pienten puiden sahaamista. Taipuisa oksa voi juuttua teräketjuun ja iskeä sahaajaan niin, että tämän tasapaino horjuu.
- ◆ Älä käytä ketjusahaa hartiatason yläpuolella.
- ◆ Varmista, että joku on lähellä (mutta turvallisen etäisyyden päässä) onnettomuuden varalta.
- ◆ Jos sinun on jostakin syystä kosketettava teräketjua, varmista, että saha on irrotettu verkkovirrasta.
- ◆ Ketjusahan melutaso voi ylittää 80 dB(A). Tämän vuoksi on suositeltavaa käyttää asianmukaisia kuulosuojaimia.

## Muiden turvallisuus

- ◆ Tätä laitetta ei ole tarkoitettu sellaisten henkilöiden käyttöön, joilla on fyysisiä tai älyllisiä rajoitteita tai aistirajoitteita, eikä laitteen toimintaan perehtymättömien henkilöiden käyttöön (lapset mukaan luettuina), paitsi valvonnan alaisina tai jos he ovat saaneet laitteen käyttöön liittyvää opastusta heidän turvallisuudestaan vastaavalta henkilöltä.
- ◆ Lapsia on valvottava ja heitä on estettävä leikkimästä laitteella.

## Tärinä

Teknisissä tiedoissa ja yhdenmukaisuusilmoituksessa ilmoitettu tärinäpäästöarvo on mitattu EN 60745 -standardin testausmenetelmän mukaisesti, ja sen avulla voidaan vertailla työkaluja keskenään. Ilmoitettua tärinäpäästöarvoa voidaan käyttää myös altistumisen alustavaan arviointiin.

**Varoitus!** Sähkötyökalun käytön aikana mitattu todellinen tärinäpäästöarvo voi poiketa ilmoitetusta tärinäpäästöarvosta työkalun käyttötavan mukaan. Tärinätaso voi olla ilmoitettua tasoa suurempi.

- ◆ Kun tärinälle altistumista arvioidaan sen määrittämiseksi, mitä direktiivin 2002/44/EY mukaisia turvatoimenpiteitä vaaditaan sähkötyökaluja säännöllisesti käyttävien henkilöiden suojelemiseksi, tärinälle altistumisen arvioinnissa on otettava huomioon todelliset käyttöolosuhteet ja työkalun käyttötavat. Todellisen käytön lisäksi on kiinnitettävä huomiota myös siihen, milloin työkalu on sammutettuna tai se käy tyhjänä.

## Varoitusmerkit

Työkalussa on seuraavat varoitusmerkinnät:



**Varoitus!** Käyttäjän on luettava käyttöopas vahinkojen välttämiseksi.



Älä käytä sahaa sateella tai kosteassa.



Käytä aina kuulonsuojaimia.



Käytä aina suojalaseja.



Käytä aina liukuesteturvajalkineita.



Varo putoavia esineitä.



Pidä sivulliset loitolla.



Varmista jatkuva turvallinen toiminta tarkistamalla ketjun kireys tässä käyttöohjeessa kuvatulla tavalla aina 10 käyttöminuutin jälkeen. Säädä ketjua takaisin 3 mm:n välykseen tarpeen vaatiessa. Lisää ketjun voiteluöljyä aina 10 minuutin käytön jälkeen.



Ketjun pyörimissuunta.



Jatkuva turvallinen toiminta edellyttää, että teräketju ja laippa vaihdetaan vain alkuperäisiin Black & Deckerin varaosiin. Varaosana saatavan ketjun tuotenumero on A6158 ja laipan 90517720.

## Akkua ja laturia koskevat turvaohjeet

### Akku

- ◆ Älä koskaan yritä avata akkua.
- ◆ Älä anna akun kastua.
- ◆ Älä altista akkua kuumuudelle.
- ◆ Älä säilytä akkua tiloissa, joissa lämpötila voi nousta yli 40°C:n.
- ◆ Lataa akku paikassa, jonka lämpötila on vähintään 10°C ja enintään 40°C.
- ◆ Käytä akun lataamiseen vain laitteen mukana toimitettua laturia. Väärän tyyppinen laturi voi aiheuttaa sähköiskun tai akun ylikuumentumisen.
- ◆ Noudata akkujen hävittämisessä kohdassa Ympäristönsuojelu esitetyjä ohjeita.
- ◆ Suojaa akkua vahingoittumiselta niin, ettei sen kotelo rikkoudu eikä siihen kohdistu iskuja, sillä muutoin voi syntyä henkilövahinkojen ja tulipalon vaara.
- ◆ Älä lataa viallisia akkuja.
- ◆ Vaativissa oloissa voi ilmetä akkuvuotoja. Jos havaitset akkujen pinnalla nestettä, pyyhi se huolellisesti pois. Vältä ihokosketusta.
- ◆ Jos nestettä joutuu silmiin tai iholle, noudata alla olevia ohjeita.

**Varoitus!** Akkuneste voi aiheuttaa aineellisia vahinkoja tai henkilövahinkoja. Jos nestettä joutuu iholle, se on välittömästi huuhdeltava pois vedellä. Jos ihoa kirvelee tai se punottaa tai on muuten ärtynyt, kysy lisäohjeita lääkäriltä. Jos nestettä joutuu silmiin, huuhto välittömästi puhtaalla vedellä ja mene lääkäriin.

### Laturit

Laturi on tarkoitettu tietylle jännitteelle. Tarkista aina, että verkkojännite vastaa arvokilvessä ilmoitettua jännitettä.

**Varoitus!** Älä yritä korvata laturiyksikköä tavallisella verkkopistokkeella.

- ◆ Käytä Black & Deckerin laturia vain laitteen/työkalun mukana toimitetun akun lataamiseen. Muut akut voivat räjähtää ja aiheuttaa henkilövahinkoja tai aineellisia vahinkoja.
- ◆ Älä koskaan yritä ladata akkuja, joita ei ole tarkoitettu ladattaviksi.
- ◆ Jos virtajohto vahingoittuu, sen vaihtaminen tulee turvallisuussyistä jättää valmistajan tai valtuutetun Black & Decker -huollon tehtäväksi.
- ◆ Älä altista laturia vedelle.

- ♦ Älä avaa laturia.
- ♦ Älä työnnä mitään laturin sisään.
- ♦ Lataa laite/työkalu/akku paikassa, jossa on kunnollinen ilmanvaihto.

### Laturin merkinnät

Laturin on seuraavat merkinnät:



Lue käyttöohje huolellisesti ennen koneen käyttöönottoa.



Laturi kytkeytyy automaattisesti pois päältä, jos ympäröivä lämpötila nousee liian korkeaksi. Tällöin laturia ei voi enää käyttää. Irrota laturi sähköverkosta ja toimita se valtuutettuun huoltoliikkeeseen korjattavaksi.



Lataa akku paikassa, jonka lämpötila on vähintään +10°C ja enintään +40°C.



Laturi on tarkoitettu ainoastaan sisäkäyttöön.



Laturi on kaksoiseristetty, joten erillistä maadoitusta ei tarvita. Tarkista aina, että verkkojännite vastaa arvokilvessä ilmoitettua jännitettä.

### Sähköturvallisuus



Laturi on kaksoiseristetty, joten erillistä maadoitusta ei tarvita. Tarkista aina, että verkkojännite vastaa arvokilvessä ilmoitettua jännitettä.

Jos virtajohto vahingoittuu, sen vaihtaminen tulee turvallisuussyistä jättää valmistajan tai valtuutetun Black & Decker -huollon tehtäväksi.

**Varoitus!** Älä yritä vaihtaa laturiin tavallista verkkovirran pistoketta.

### Yleiskuvaus

1. Virrankatkaisija
2. Lukitusnappi
3. Öljykorkki
4. Öljysäiliö
5. Takapotkusuoja
6. Ketjun suojus
7. Ketjun kiristysruuvi
8. Ketju
9. Laippa
10. Akku
11. Ketjun suojus
12. Laturiliitäntä
13. Laturi

### Kokoaminen

**Varoitus!** Irrota akku (10) aina ennen kokoamista.

#### Akun kiinnittäminen ja irrottaminen (kuva A)

- ♦ Kiinnitä akku (10) asettamalla se koneen liitännän kanssa samaan linjaan. Liu'uta akkua (10) liitäntään, kunnes akku (10) lukittuu paikalleen.
- ♦ Irrota akku (10) painamalla vapautuspainiketta (24) samalla kun vedät akkua (10) irti.

**Varoitus!** Jotta saaha ei käynnistetä vahingossa, irrota akku ja varmista, että teräsuojus (11) on paikallaan teräketjun (8) päällä, ennen kuin suoritat seuraavat toimenpiteet. Jos näin ei menetellä seurauksena saattaa olla vakava tapaturma.

#### Akun lataaminen (kuva B & C)

Akku tulee ladata ennen ensimmäistä käyttökertaa ja aina silloin, kun se ei enää tuota riittävästi virtaa toimintoihin, jotka aikaisemmin hoituivat helposti. Ladatessasi akkua ensimmäistä kertaa tai pitkäaikaisen säilytyksen jälkeen, latautuu se vain 80 %:sesti. Usean lataamis- ja tyhjentyiskerran jälkeen akku saavuttaa täyden kapasiteettinsa. Akku voi lammeta ladattaessa; tama on normaalia eikä ole merkkinä minkäänlaisesta ongelmasta.

**Varoitus!** Älä lataa akkua alle +10°C tai yli +40°C asteen lampotiloissa. Suositeltu lampotila lataamiseen on noin +24°C.

#### 8 tunnin laturi (kuva B)

- ♦ Ladataksesi akun (10) poista se koneesta ja tyonna laturiliitäntä (12) akkuun.
- ♦ Liitä laturi (13) virtalahteeseen.

Akku (10) on latautunut täyteen noin 8 tunnissa. Se voidaan poistaa koska tahansa tai jattaa laturiin maaraamattomaksi ajaksi.

**1 tunnin laturi (kuva C)**

- ◆ Akun (10) lataamiseksi poista se koneesta ja aseta se laturiin (23). Akku sopii laturiin vain yhdessä asennossa. Ala laita sitä laturiin vakisin. Varmista, että akku on kunnolla laturissa.
- ◆ Liitä laturi virtalahteeseen.

Tarkista, että punainen latausvalo palaa. Mikäli vihreä latausvalo palaa punaisen sijasta, akku on liian kuuma, eikä sitä voi ladata. Jos näin tapahtuu, poista akku laturista, anna sen jaahdeta noin tunnin ajan ja aseta se sitten takaisin.

Noin tunnin lataamisen jälkeen punainen latausvalo sammuu ja vihreä latausvalo syttyy. Akku on nyt latautunut tyyteen.

- ◆ Poista akku laturista.

**Teräketjun asentaminen ja irrottaminen (kuvat D–F ja H)**

Käytä aina suojakäsineitä asentaessasi tai irrottaessasi teräketjua (8). Teräketju on terävä ja voi aiheuttaa haavan myös liikkumattomana ollessaan.

- ◆ Aseta työkalu tukevalle ja vakaalle pinnalle.
- ◆ Löysää kahta kuusiokoloruuvia (14) työkalun mukana toimitetulla ruuviavaimella (21). Irrota kuusiokoloruuvit (14).
- ◆ Poista ketjukoppa (6).
- ◆ Kierrä ketjun kireyden säätöruuvia (7) myötäpäivään niin, että laippa (9) vetäytyy ja vähentää teräketjun (8) kireyttä.
- ◆ Irrota vanha teräketju (8) vetopyörästä (15) ja laipasta (9).
- ◆ Aseta uusi teräketju (8) laipan uraan (9) ja vetopyörän (15) ympärille. Varmista, että hampaat ovat oikeaan suuntaan kohdistamalla teräketjussa oleva nuoli (8) ketjukopassa (6) olevaan nuoleen.
- ◆ Varmista, että laipassa (9) oleva kolo (17) on kohdistustappien (18) yläpuolella ja kolon alapuolella oleva reikä (20) on säätönupin (19) kohdalla.
- ◆ Aseta ketjukoppa (6) ja kaksi kuusiokoloruuvia (14) paikolleen.
- ◆ Kiristä kaksi kuusiokoloruuvia (14) työkalun mukana toimitetulla ruuviavaimella (21).
- ◆ Säädä ketjun kireys alla kuvatulla tavalla.

**Ketjun kireyden tarkistaminen ja säätäminen (kuvat D ja F)**

- ◆ Tarkista teräketjun kireys. Kireys on oikea, kun teräketjua (8) voi keskisormella ja peukalolla kevyesti nostaa laipasta (9) irti 3 mm ja vapauttamisen jälkeen ketju napsahtaa takaisin vasten laippaa. Teräketju (8) ei saa roikkua laipan (9) alapuolella.

Kireyden säätö:

- ◆ Löysää kahta kuusiokoloruuvia (14).
  - ◆ Kierrä ketjun kireyden säätöruuvia (7) myötäpäivään.
- Varoitus!** Älä kiristä ketjua liian tiukalle, koska tällöin laippa ja ketju kuluvat loppuun ennenaikaisesti.
- ◆ Kun ketjun kireys on oikea, kiristä kaksi kuusiokoloruuvia (14).

**Varoitus!** Kun saha on uusi, tarkista kireys usein kahden ensimmäisen käyttötunnin aikana, sillä uusi teräketju venyy jonkin verran.

**Öljysäiliön täyttäminen (kuva H)**

- ◆ Avaa öljysäiliön tulppa (3) ja täytä säiliö (4) suositellulla ketjuöljyllä. Öljytaso näkyy öljysäiliössä (4). Aseta öljysäiliön tulppa (3) paikalleen.
- ◆ Sammuta ketjusaha aika ajoin ja tarkista öljyn määrä. Jos öljyä on alle 1/4, irrota akku (10) työkalusta ja lisää säiliöön (4) oikeaa öljyä.

**Ketjun voitelu (kuva H)**

Teräketju (8) on voideltava ennen jokaista käyttökertaa ja puhdistuksen jälkeen käyttämällä oikeaa öljyä (tuotenro A6027).

- ◆ Voitele teräketju (8) painamalla öljysäiliön tulpan kupua (3) kahdesti ennen kutakin sahauskertaa. Pidä kupua painettuna 3–4 sekuntia.

**Jäännösriskit**

Jäännösriskit ovat mahdollisia, jos käytät työkalua muulla kuin turvavaroituksissa mainitulla tavalla. Nämä riskit voivat liittyä muun muassa virheelliseen tai pitkäaikaiseen käyttöön.

Tiettyjä jäännösriskkejä ei voi välttää, vaikka noudatet kaikkia turvamääräyksiä ja käytät turvalaitteita. Näihin kuuluvat muun muassa

- ◆ pyöriivien tai liikkuvien osien koskettamisen aiheuttamat vahingot
- ◆ osia, tietä tai lisävarusteita vaihdettaessa aiheutuneet vahingot
- ◆ työkalun pitkäaikaisen käytön aiheuttamat vahingot Kun käytät työkalua pitkään, varmista, että pidät säännöllisesti taukoja.
- ◆ kuulovauriot
- ◆ työkalua käytettäessä (esimerkiksi puuta, erityisesti tammea, pyökkiä ja MDF-levyjä, käsiteltäessä) syntyneen pölyn sisä hengityksen aiheuttamat terveysriskit.

## Käyttö

### Käynnistys ja pysäytys (kuva H)

**Varoitus!** Anna koneen käydä omaan tahtiinsa. Älä ylikuormita sitä.

Käyttöturvallisuuden lisäämiseksi tämä työkalu on varustettu käynnistysvarmistimella. Järjestelmä estää työkalun tahattoman käynnistämisen.

### Käynnistyksen

- ◆ Paina lukituspainiketta (2) ja paina samanaikaisesti virrankatkaisijaa (1).
- ◆ Vapauta lukituspainike (2).

### Sammuttaminen

- ◆ Päästä irti virrankatkaisijasta (1).

**Varoitus!** Älä koskaan yritä lukita kytkimiä käyttöasentoon.

### Puiden karsiminen (kuva I)

Varmista etukäteen, että puun karsiminen on luvallista. Pystykarsinta tulee jättää kokeneen sahan käyttäjän tehtäväksi, koska teräketjun (8) kiinnijäämisen ja takapotkujen riski on suuri.

Ennen karsintaa on arvioitava oksien putoamissuuntaan vaikuttavat tekijät, kuten

- ◆ katkaistavan oksan pituus ja paino
- ◆ poikkeuksellisen raskaat oksat tai lahot kohdat
- ◆ ympäröivät puut ja esteet ja yli kulkevat johdot
- ◆ tuulen nopeus ja suunta.
- ◆ oksan kiinnittyminen muihin oksiin.

Sahaajan on ensin selvitettävä, miten hän pääsee karsintakohtaan ja mihin oksa putoaa. Katkaistavat oksat kallistuvat puun runkoa kohti. Alla olevat sivulliset ja esineet ovat tällöin vaarassa.

Sälöytymisen estämiseksi oksaa sahataan ensin alhaalta päin enintään kolmasosan verran oksan paksuudesta. Sen jälkeen sahataan ylhäältä päin suoraan kohti aleleikkausta.

### Kevyt katkaisu (kuva J)

Sahaustapa määräytyy halon tuennan perusteella. Käytä sahapukkia aina, kun mahdollista. Aloita sahaus aina siten, että teräketju (8) pyörii ja kaatopiikit ovat kiinni puussa. Saha puu poikki kallistamalla sahauksen puuta vasten olevien kaatopiikkien varassa.

Kun puu on tuettuna koko pituudeltaan:

- ◆ Sahaa alaspäin. Estä teräketjun kosketus maahan, koska muuten ketju tylsyy nopeasti.

Kun puu on tuettuna molemmista päistään:

- ◆ Saha ensin alaspäin 1/3 sälöytymisen estämiseksi. Saha sitten toiselta puolelta loppuun.

Kun tukki on tuettuna toisesta päistään:

- ◆ Saha ensin alta 1/3 rungon paksuudesta sälöytymisen estämiseksi ja sitten loppuun ylhäältä alaspäin.

Rinteessä:

- ◆ Seiso aina ylämäen puolella.

Sahapukkia käytettäessä (kuva J):

Sahapukin käyttö on suositeltavaa aina, kun se on mahdollista.

- ◆ Aseta puu vakaasti sahauspukille. Saha aina sahapukin reunojen ulkopuolelta. Sido sahattava puu hihnalla tai puristimella.

## Puhdistus, hoito ja säilytys

Black & Decker -työkalu on suunniteltu toimimaan mahdollisimman pitkän aikaa mahdollisimman vähällä huollolla.

Oikealla huollolla ja säännöllisellä puhdistuksella kone säilyttää suorituskykynsä.

Laturi ei tarvitse säännöllisen puhdistamisen lisäksi mitään muuta huoltoa.

**Varoitus!** Poista akku ennen työkalun huoltamista. Irrota laturi pistorasista ennen laturin puhdistamista.

### Akun kannen kiinnittäminen (kuva K)

**Varoitus!** Kiinnitä kansi (22) akkuun (10) kuljetusta ja säilytystä varten.

### Käytön jälkeen ja ennen varastointia

Puhdista ilma-aukot puhtaalla, kuivalla maalisiveltimellä.

Käytä työkalun puhdistukseen vain mietoja saippualliuosta ja kosteaa kangasta. Älä koskaan päästä nestettä valumaan työkalun sisään. Älä koskaan upota mitään työkalun osaan nesteeseen.

- ◆ Poista roskat kovalla harjalla.
- ◆ Voitele ketju (8) öljyllä.

### Teräketjun teroittaminen

Jotta saha toimisi parhaalla mahdollisella tavalla, ketjun hampaat on pidettävä terävinä. Teroitinpaketissa on ohjeet tähän. Suosittelemme Black & Deckerin teräketjun teroituspakettia, jonka saa Black & Deckerin valtuutetuista huoltoliikkeistä (tuotenro A6039).

### Kuluneen tai vahingoittuneen teräketjun ja laipan vaihtaminen

Teräketjuja on saatavana Black & Deckerin valtuutetuista huoltoliikkeistä ja jälleenmyyjiltä (tuotenro A6158). Laippoja on saatavana vain Black & Deckerin valtuutetuista huoltoliikkeistä (tuotenro 90517720). Käytä vain alkuperäisiä Black & Deckerin teräketjuja ja laippoja vahinkojen välttämiseksi. Käytä aina vain alkuperäisiä varaosia.

## Teräketjun terävyys

Ketjun leikkuuterät tylsyvät heti, jos ne sahattaessa osuvat maahan tai naulaan.

## Teräketjun kireys

Tarkista teräketjun kireys säännöllisesti.

## Mitä tehdä, jos ketjusaha vaatii korjausta

Työkalu täyttää asianmukaisten turvaohjeiden vaatimukset. Korjauksia saa tehdä vain Black & Deckerin valtuuttama huoltoliike, joka käyttää alkuperäisosia, muutoin koneen käyttäjälle voi aiheuta vaaratilanteita. Suosittelemme tämän käyttööhejen säilyttämistä turvallisessa paikassa.

## Säilytys

Kun työkalua ei ole tarkoitus käyttää pitkään aikaan, jätä akku (10) kytketyksi laturiin.

Muutoin toimi seuraavasti:

- ◆ Poista akku (10) työkalusta.
- ◆ Lataa akku (10) täyteen.
- ◆ Säilytä työkalua ja akkua (10) turvallisessa ja kuivassa paikassa. Säilytyspaikan lämpötilan täytyy aina olla +5 °C – +40 °C. Aseta akku (10) tasaiselle alustalle.
- ◆ Lataa akku (10) täyteen, ennen kuin käytät työkalua pitkäaikaisen säilytyksen jälkeen.

## Ympäristö



Erillinen keräys. Tätä tuotetta ei saa hävittää normaalin kotitalousjätteen mukana.

Kun laitteesi aikanaan täytyy vaihtaa tai ei kelpaa enää käyttöön, älä hävitä sitä talousjätteen mukana. Toimita laite erilliskeräykseen.



Käytettyjen tuotteiden ja pakkausmateriaalien erilliskeruun avulla materiaalit voidaan kierrättää ja käyttää uudelleen. Kierrätysmateriaalien käyttö auttaa vähentämään ympäristön saastumista ja uusien raaka-aineiden tarvetta.

Paikallisissa säädöksissä voidaan määrätä, että kodin sähkötuotteiden keruu tapahtuu kaupunkien jätteidenkäsittelyasemilla tai laitteita myyvissä liikkeissä uuden tuotteen oston yhteydessä.

Kun laitteesi on käytetty loppuun, älä heitä sitä tavallisten roskien mukana pois, vaan vie se paikkakuntasi kierrätyskeskukseen tai jätä valtuutettuun Black & Deckerin huoltoliikkeeseen.

Tiedot valtuutetuista huoltoliikkeistä saa ottamalla yhteyttä Black & Decker Oy:hyn sekä Internetistä osoitteesta [www.2helpU.com](http://www.2helpU.com).

## Paristot



Black & Deckerin akkuja voi ladata yhä uudelleen ja uudelleen. Hävitä loppuun kuluneet akut ympäristöystävällisesti.

- ◆ Käytä akku täysin loppuun ja irrota se sitten työkalusta.
- ◆ NiCd- ja NiMH-akut ovat kierrätettäviä. Voit viedä ne mihin tahansa valtuutettuun huoltoliikkeeseen tai paikalliseen kierrätyskeskukseen.

## Tekniset tiedot

	GKC1817 H1	GKC1817P H1	GKC1817NM H1
Jännite	Vdc 18	18	18
Ketjun nopeus kuormittamattomana	min <sup>-1</sup> 190	190	190
Paino	kg 2	2	2

Akku Mallissa	A18 GKC1817	A1718 GKC1817P	A18NH GKC1817NM
Jännite	Vdc 18	18	18
Teho	Ah 1,5	1,7	1,5
Paino	kg 0,8	0,8	0,8

Laturi	TPCA-240080*1	TPCA-240080*2	31190*-**	TPCA-180021*1
Mallissa	GKC1817, GKC1817P	GKC1817NM	GKC1817, GKC1817P	GKC1817NM
Syöttöjännite	V AC 200-240	200-240	230-240	230-240
Lähtöjännite	V DC 18	18	21,75	21,75
Latausvirta	mA 800	800	210 / 230	200-240
Arvioitu latausaika	h 1	1	8	8
Paino	kg 0,399	0,4	0,365	0,556

Taattu äänenpainetaso, mitattu meludirektiivin 2000/14/EY mukaisesti:

$L_{pA}$  (äänenpaine) 78,6 dB(A), epävarmuus (K) 3 dB(A)

$L_{WA}$  (ääniteho) 89,6 dB(A), epävarmuus (K) 3 dB(A)

$L_{WA}$  (taattu) 90 dB(A)

Käytä aina kuulosuojaimia, jos melutaso ylittää 80 dB (A).

Käteän kohdistuva painotettu värinäarvo standardin EN 60745 mukaisesti: 4 m/s<sup>2</sup>

**EU:n yhdenmukaisuusilmoitus**

KONEDIREKTIIVI

**GKC1817, GKC1817P, GKC1817NM**

Black & Decker vakuuttaa näiden tuotteiden olevan seuraavien asetusten ja standardien vaatimusten mukaiset: 2006/42/EY, EN60745-1, EN60745-2-13

Lisätietoja saa ottamalla yhteyttä Black & Deckeriin tai käyttöohjeen kääntöpuolelta.

Allekirjoittanut vastaa teknisten tietojen kokoamisesta tehden tämän ilmoituksen Black & Deckerin puolesta.

Kevin Hewitt

Vice-President Global Engineering  
Black & Decker Europe, 210 Bath Road, Slough,  
Berkshire, SL1 3YD  
Iso-Britannia  
12.04.2010

**Korjaukset / varaosat**

Mikäli koneeseen tulee vikaa, jätä se aina Black & Deckerin valtuuttamaan huoltoliikkeeseen korjattavaksi. Varaosia myyvät valtuutetut Black & Deckerin huoltoliikkeet, ja heiltä voi myös pyytää kustannusarvion koneen korjauksesta.

Tiedot valtuutetuista huoltoliikkeistä löytyvät internetistä osoitteesta [www.2helpU.com](http://www.2helpU.com) sekä kotisivuiltamme [www.blackanddecker.fi](http://www.blackanddecker.fi).

**Takuu**

Black & Decker Oy takaa, ettei tuotteessa ollut materiaali- ja/ tai valmistusvikaa silloin, kun se toimitettiin ostajalle. Takuu on lisäys kuluttajan laillisiin oikeuksiin eikä vaikuta niihin. Takuu on voimassa Euroopan unionin jäsenmaissa ja Euroopan vapaakauppa-alueella (EFTA).

Mikäli Black & Decker -kone hajoaa materiaali- ja/ tai valmistusvirheen tai teknisten tietojen epätarkkuuden vuoksi 24 kk:n kuluessa ostopäivästä, Black & Decker korjaa koneen ilman kustannuksia ostajalle tai vaihtaa sen Black & Decker Oy:n valinnan mukaan. Takuu ei kata vikoja, jotka johtuvat koneen

- ◆ käytöstä kaupallisiin, ammattimaisiin tai vuokraustarkoituksiin
- ◆ ylikuormituksesta, virheellisestä käytöstä tai hoidosta
- ◆ vahingoittamisesta vieraalla esineellä tai aineella tai onnettomuustapauksessa
- ◆ korjaamisesta jonkun muun kuin Black & Deckerin valtuuttaman huoltoliikkeen toimesta.

Edellytyksenä takuun saamiselle on, että ostaja näyttää laitteen ostokuitin jälleenmyyjälle tai valtuutetulle huoltoliikkeelle. Saat valtuutettujen huoltoliikkeiden yhteystiedot ottamalla yhteyden Black & Decker Oy:hyn tässä käyttöoppaassa ilmoitetussa osoitteessa. Löydät myös valtuutettujen Black & Decker huoltoliikkeiden yhteystiedot sekä lisätietoja palveluistamme ja takuuehdoista Internetissä osoitteessa: [www.2helpU.com](http://www.2helpU.com)

Voit vieraila verkkosivuiltamme [www.blackanddecker.fi](http://www.blackanddecker.fi) rekisteröidäksesi uuden Black & Decker -tuotteesi ja saadaksesi tietoa uusista tuotteista ja erikoistarjouksista. Saat lisätietoja Black & Deckerin tavaramerkistä ja tuotevalikoimastamme osoitteesta [www.blackanddecker.fi](http://www.blackanddecker.fi).



## Ενδεξιμένη χρήση

Το συμπαγές αλυσοπρίονο Black & Decker έχει σχεδιαστεί για ερασιτεχνική κοπή και κλάδεμα φυτών. Αυτό το εργαλείο προορίζεται μόνο για ερασιτεχνική χρήση.

## Οδηγίες ασφαλείας

Γενικές προειδοποιήσεις ασφαλείας για τα ηλεκτρικά εργαλεία



**Προειδοποίηση! Διαβάστε όλες τις υποδείξεις και όλες τις οδηγίες.** Η μη τήρηση όλων των οδηγιών μπορεί να προκαλέσει ηλεκτροπληξία, πυρκαγιά ή/και σοβαρούς τραυματισμούς.

**Φυλάξτε όλες τις προειδοποιήσεις και τις οδηγίες για μελλοντική αναφορά.**

Ο χαρακτηρισμός "ηλεκτρικό εργαλείο" που χρησιμοποιείται σε όλες τις παρακάτω προειδοποιήσεις αφορά ή το εργαλείο που συνδέεται στην πρίζα (με καλώδιο) ή το εργαλείο που λειτουργεί με μπαταρία (χωρίς καλώδιο).

### 1. Ασφάλεια χώρου εργασίας

- a. **Διατηρείτε το χώρο που εργάζεστε καθαρό και καλά φωτισμένο.** Η αταξία στο χώρο που εργάζεστε και τα σημεία χωρίς καλό φωτισμό μπορεί να οδηγήσουν σε ατυχήματα.
  - b. **Μη χρησιμοποιείτε ηλεκτρικά εργαλεία σε περιβάλλον όπου υπάρχει κίνδυνος έκρηξης, π.χ. παρουσία εύφλεκτων υγρών, αερίων ή σκόνης.** Τα ηλεκτρικά εργαλεία μπορεί να δημιουργήσουν σπινθηρισμό ο οποίος μπορεί να αναφλέξει τη σκόνη ή τις αναθυμιάσεις.
  - c. **Όταν χρησιμοποιείτε το ηλεκτρικό εργαλείο, κρατάτε τα παιδιά και τα υπόλοιπα άτομα μακριά από το χώρο που εργάζεστε.** Σε περίπτωση που άλλα άτομα αποσπάσουν την προσοχή σας μπορεί να χάσετε τον έλεγχο του μηχανήματος.
2. **Ασφαλής χρήση του ηλεκτρικού ρεύματος**
    - a. **Το φως του καλωδίου του ηλεκτρικού εργαλείου πρέπει να ταιριάζει στην αντίστοιχη πρίζα. Δεν επιτρέπεται με κανένα τρόπο η μετασκευή του φως. Μη χρησιμοποιείτε προσαρμοστικά φως στα γειωμένα ηλεκτρικά εργαλεία.** Τα φως που δεν έχουν υποστεί τροποποιήσεις και οι κατάλληλες πρίζες μειώνουν τον κίνδυνο ηλεκτροπληξίας.
    - b. **Αποφύγετε την επαφή του σώματός σας με γειωμένες επιφάνειες όπως σωλήνες, θερμαντικά σώματα (καλοριφέρ), κουζίνες και ψυγεία.** Όταν το σώμα σας είναι γειωμένο, αυξάνεται ο κίνδυνος ηλεκτροπληξίας.

- c. **Μην εκθέτετε το ηλεκτρικό εργαλείο στη βροχή ή στην υγρασία.** Η διείσδυση νερού στο ηλεκτρικό εργαλείο αυξάνει τον κίνδυνο ηλεκτροπληξίας.
  - d. **Μην κακομεταχειρίζεστε το καλώδιο. Μη χρησιμοποιείτε ποτέ το καλώδιο για να μεταφέρετε το εργαλείο, να το τραβήξετε ή να το αποσυνδέσετε από την πρίζα. Κρατάτε το καλώδιο μακριά από υψηλές θερμοκρασίες, λάδια, κοφτερές ακμές ή κινούμενα εξαρτήματα.** Τυχόν χαλασμένα ή μπερδεμένα καλώδια αυξάνουν τον κίνδυνο ηλεκτροπληξίας.
  - e. **Όταν χρησιμοποιείτε το ηλεκτρικό εργαλείο σε εξωτερικούς χώρους, να χρησιμοποιείτε πάντοτε καλώδια προέκτασης κατάλληλα για χρήση σε εξωτερικούς χώρους.** Η χρήση προεκτάσεων κατάλληλων για εργασία σε εξωτερικούς χώρους μειώνει τον κίνδυνο ηλεκτροπληξίας.
  - f. **Εάν η χρήση ενός ηλεκτρικού εργαλείου σε μια υγρή τοποθεσία είναι αναπόφευκτη, χρησιμοποιήστε ένα τροφοδοτικό με προστατευτική Συσκευή Παραμένοντος Ρεύματος (RCD).** Η χρήση μιας συσκευής RCD μειώνει τον κίνδυνο ηλεκτροπληξίας.
3. **Ασφάλεια προσώπων**
    - a. **Όταν χρησιμοποιείτε το ηλεκτρικό εργαλείο, να είστε προσεκτικοί, να δίνετε προσοχή στην εργασία που κάνετε και να επιστρατεύετε την κοινή λογική. Μη χρησιμοποιείτε το ηλεκτρικό εργαλείο όταν είστε κουρασμένοι ή όταν βρισκεστε υπό την επήρεια ναρκωτικών, οινοπνεύματος ή φαρμάκων.** Μια στιγμιαία απροσεξία κατά το χειρισμό του ηλεκτρικού εργαλείου μπορεί να οδηγήσει σε σοβαρούς τραυματισμούς.
    - b. **Να χρησιμοποιείτε εξοπλισμό προσωπικής προστασίας. Να φοράτε πάντα προστατευτικά γυαλιά.** Ο κίνδυνος τραυματισμών μειώνεται όταν χρησιμοποιείτε εξοπλισμό προστασίας, όπως μάσκα προστασίας από σκόνη, αντιολισθητικά παπούτσια ασφαλείας, κράνη ή ωτασπίδες, ανάλογα με τις συνθήκες εργασίας.
    - c. **Αποφύγετε την ακούσια ενεργοποίηση. Βεβαιωθείτε ότι ο διακόπτης λειτουργίας βρίσκεται στη θέση "OFF" πριν συνδέσετε το εργαλείο στην πρίζα και/ή στην μπαταρία, πριν το σηκώσετε ή το μεταφέρετε.** Η μεταφορά ηλεκτρικών εργαλείων με το δάχτυλό σας επάνω στο διακόπτη ή η σύνδεση στην πρίζα ηλεκτρικών εργαλείων με το διακόπτη στη θέση ενεργοποίησης, ενέχει κινδύνους πρόκλησης ατυχημάτων.

- d. **Πριν θέσετε το ηλεκτρικό εργαλείο σε λειτουργία, αφαιρέστε τυχόν εργαλεία ή κλειδιά ρύθμισης.** Εάν αφήσετε ένα εργαλείο ή κλειδί πάνω σε κάποιο περιστευόμενο εξάρτημα του ηλεκτρικού εργαλείου, μπορεί να προκληθούν τραυματισμοί.
- e. **Μην τεντώνεστε. Φροντίστε πάντοτε να έχετε την κατάλληλη στάση και να διατηρείτε την ισορροπία σας.** Αυτό σας επιτρέπει τον καλύτερο έλεγχο του ηλεκτρικού εργαλείου σε περιπτώσεις απροσδόκητων καταστάσεων.
- f. **Φοράτε κατάλληλη ενδυμασία εργασίας. Μη φοράτε φαρδιά ρούχα ή κοσμήματα. Κρατάτε τα μαλλιά, τα ενδύματα και τα γάντια σας μακριά από τα κινούμενα εξαρτήματα.** Τα φαρδιά ρούχα, τα κοσμήματα και τα μακριά μαλλιά μπορεί να εμπλακούν στα κινούμενα εξαρτήματα.
- g. **Αν προβλέπονται διατάξεις απαγωγής και συλλογής της σκόνης, βεβαιωθείτε ότι είναι συνδεδεμένες και ότι χρησιμοποιούνται σωστά.** Η χρήση τέτοιων διατάξεων μειώνει τους κινδύνους που προέρχονται από τη σκόνη.
4. **Χρήση και συντήρηση του ηλεκτρικού εργαλείου**
- a. **Μην υπερφορτώνετε το ηλεκτρικό εργαλείο.** Χρησιμοποιείτε για την εκάστοτε εργασία σας το ηλεκτρικό εργαλείο που προορίζεται γι' αυτήν. Με το κατάλληλο ηλεκτρικό εργαλείο εργάζεστε καλύτερα και ασφαλέστερα στην ονομαστική περιοχή ισχύος του.
- b. **Μη χρησιμοποιήσετε ποτέ ένα ηλεκτρικό εργαλείο του οποίου ο διακόπτης λειτουργίας είναι χαλασμένος.** Ένα ηλεκτρικό εργαλείο του οποίου η λειτουργία δεν μπορεί να ελεγχθεί με το διακόπτη είναι επικίνδυνο και πρέπει να επισκευαστεί.
- c. **Βγάλτε το φως από την πρίζα και/ή την μπαταρία από το ηλεκτρικό εργαλείο, πριν διεξάγετε κάποια εργασία ρύθμισης, πριν αλλάξετε κάποιο εξάρτημα ή όταν πρόκειται να αποθηκεύσετε τα ηλεκτρικά εργαλεία.** Αυτά τα προληπτικά μέτρα ασφαλείας μειώνουν τον κίνδυνο να τεθεί το εργαλείο αθέλητα σε λειτουργία.
- d. **Να φυλάτε τα ηλεκτρικά εργαλεία που δεν χρησιμοποιείτε μακριά από παιδιά. Μη αφήνετε άτομα που δεν είναι εξοικειωμένα με το ηλεκτρικό εργαλείο ή που δεν έχουν διαβάσει αυτές τις οδηγίες χρήσης να το χρησιμοποιήσουν.** Τα ηλεκτρικά εργαλεία είναι επικίνδυνα όταν χρησιμοποιούνται από άπειρα άτομα.
- e. **Να συντηρείτε τα ηλεκτρικά εργαλεία. Ελέγξτε εάν τα κινούμενα μέρη είναι σωστά ευθυγραμμισμένα ή αν έχουν μπλοκάρει, εάν έχουν σπάσει κομμάτια και εάν πληρούνται όλες οι υπόλοιπες συνθήκες που ενδεχομένως να επηρεάσουν τη σωστή λειτουργία του εργαλείου. Δώστε τυχόν χαλασμένα εξαρτήματα του ηλεκτρικού εργαλείου για επισκευή πριν το χρησιμοποιήσετε πάλι.** Η ανεπαρκής συντήρηση των ηλεκτρικών εργαλείων αποτελεί αιτία πολλών ατυχημάτων.
- f. **Διατηρείτε τα κοπτικά εργαλεία κοφτερά και καθαρά.** Τα κοπτικά εργαλεία με αιχμηρά κοπτικά άκρα που συντηρούνται σωστά έχουν λιγότερες πιθανότητες να μπλοκάρουν και ελέγχονται ευκολότερα.
- g. **Να χρησιμοποιείτε τα ηλεκτρικά εργαλεία, τα εξαρτήματα και τα άκρα των εργαλείων κλπ σύμφωνα με τις παρούσες οδηγίες, λαμβάνοντας υπόψη σας τις συνθήκες εργασίας και την εργασία που θέλετε να εκτελέσετε.** Η χρήση του ηλεκτρικού εργαλείου για εργασίες πέρα από τις προβλεπόμενες μπορεί να οδηγήσει σε επικίνδυνες καταστάσεις.
5. **Χρήση και συντήρηση του εργαλείου μπαταρίας**
- a. **Επαναφορτίζετε μόνο με το φορτιστή που καθορίζεται από τον κατασκευαστή.** Ένας φορτιστής που είναι κατάλληλος για έναν τύπο μπαταρίας μπορεί να προκαλέσει κίνδυνο πυρκαγιάς εάν χρησιμοποιηθεί με άλλη μπαταρία.
- b. **Χρησιμοποιείτε τα ηλεκτρικά εργαλεία αποκλειστικά και μόνο με τις καθοριζόμενες μπαταρίες.** Η χρήση άλλων μπαταριών μπορεί να προκαλέσει κίνδυνο τραυματισμού και πυρκαγιάς.
- c. **Όταν η μπαταρία δε χρησιμοποιείται, μην την πλησιάζετε σε μεταλλικά αντικείμενα όπως συνδετήρες, κέρματα, κλειδιά, καρφιά, βίδες ή άλλα μικρά μεταλλικά αντικείμενα που μπορούν να βραχυκυκλώσουν τους δύο πόλους της.** Εάν βραχυκυκλώσουν οι πόλοι της μπαταρίας μπορεί να προκληθούν εγκαύματα ή πυρκαγιά.
- d. **Υπό ακραίες συνθήκες, είναι δυνατή η διαρροή υγρού από την μπαταρία, με το οποίο πρέπει να αποφύγετε την επαφή. Σε περίπτωση κατά λάθος επαφής, ξεπλύνετε με νερό. Εάν το υγρό έρθει σε επαφή με τα μάτια, ζητήστε και ιατρική βοήθεια.** Το υγρό που διαρρέει από την μπαταρία μπορεί να προκαλέσει ερεθισμούς ή εγκαύματα.

## 6. Σέρβις

- a. Το σέρβις του ηλεκτρικού σας εργαλείου πρέπει να αναλαμβάνει έμπειρος τεχνικός που θα χρησιμοποιεί μόνο γνήσια ανταλλακτικά. Έτσι εξασφαλίζεται η διατήρηση της ασφάλειας του ηλεκτρικού εργαλείου.

### Συμπληρωματικές προειδοποιήσεις ασφαλείας για τα ηλεκτρικά εργαλεία.

**Προειδοποίηση!** Συμπληρωματικές προειδοποιήσεις ασφαλείας για συμπαγή αλυσοπρίονα.



Η ενδειγμένη χρήση περιγράφεται σε αυτό το εγχειρίδιο οδηγιών. Μη χρησιμοποιείτε το εργαλείο για εργασίες για τις οποίες δεν προορίζεται, για παράδειγμα μην το χρησιμοποιείτε για την κοπή δέντρων. Η χρήση οποιουδήποτε αξεσουάρ ή προσαρτήματος ή η εκτέλεση οποιασδήποτε εργασίας με αυτό το εργαλείο η οποία δε συστήνεται στο παρόν εγχειρίδιο οδηγιών, ενδέχεται να εγκυμονεί κίνδυνο τραυματισμού.

- ◆ Φοράτε εξοπλισμό και προστατευτικά ρούχα, όπως κράνος ασφαλείας με προστατευτικά γυαλιά, ωτασπίδες, αντιολισθητικά παπούτσια ασφαλείας, προστατευτική φόρμα εργασίας και ανθεκτικά δερμάτινα γάντια.
- ◆ Να στέκεστε πάντα μακριά από την κατευθυνση πτώσης των κλαδιών.
- ◆ Η ασφαλής απόσταση ενός προς κοπή κλαδιού από άτομα, κτίρια ή άλλα αντικείμενα ισούται τουλάχιστον με 2 1/2 φορές το μήκος του κλαδιού. Οποιοδήποτε άτομο, κτίριο ή αντικείμενο που βρίσκεται σε μικρότερη απόσταση κινδυνεύει να πληγεί από το κλαδί που θα πέσει.
- ◆ Σχεδιάστε μια ασφαλή διαφυγή από τα κλαδιά καθώς πέφτουν. Βεβαιωθείτε ότι στη διαδρομή απομάκρυνσης δε θα υπάρχουν εμπόδια που θα καθιστούσαν αδύνατη ή θα δυσκόλευαν την κίνηση. Έχετε υπόψη ότι το υγρό γρασίδι και ο φλοιός δέντρου που έχει κοπεί πρόσφατα είναι ολισθηρά.
- ◆ Βεβαιωθείτε πως υπάρχει κάποιος κοντά (αλλά σε απόσταση ασφαλείας) για την περίπτωση ατυχήματος.
- ◆ Μη χρησιμοποιείτε το εργαλείο ενώ βρίσκεστε επάνω σε δέντρο, σε σκάλα ή σε οποιαδήποτε άλλη ασταθή επιφάνεια.
- ◆ Φροντίζετε να έχετε πάντοτε την κατάλληλη στάση και να διατηρείτε την ισορροπία σας.
- ◆ Κρατάτε σταθερά το εργαλείο, και με τα δύο χέρια, όταν το μοτέρ βρίσκεται σε λειτουργία.

- ◆ Μην επιτρέψετε να έλθει σε επαφή η κινούμενη αλυσίδα με οποιοδήποτε αντικείμενο στο άκρο της ράβδου οδήγησης.
- ◆ Ξεκινήστε την κοπή κάποιου αντικείμενου μόνο εφόσον η αλυσίδα κινείται με τη μέγιστη ταχύτητα.
- ◆ Μην προσπαθήσετε να το εισάγετε σε παλιότερη κοπή. Κάνετε πάντα μια νέα κοπή.
- ◆ Προσέχετε για τυχόν κλαδιά που μετακινούνται ή για άλλες δυνάμεις που θα μπορούσαν να κλείσουν μια τομή και να μαγκώσουν την αλυσίδα ή να πέσουν σε αυτήν.
- ◆ Μην επιχειρείτε να κόψετε κάποιο κλαδί ή διάμετρος του οποίου υπερβαίνει το μήκος κοπής του εργαλείου.
- ◆ Αφαιρείτε πάντα την μπαταρία από το εργαλείο και τοποθετείτε το κάλυμμα της αλυσίδας επάνω στην αλυσίδα κατά τη μεταφορά ή αποθήκευση του εργαλείου.
- ◆ Διατηρείτε την αλυσίδα του πριονιού αιχμηρή και στη σωστή τάνυση. Να ελέγχετε τακτικά την τάση.
- ◆ Πριν από την εκτέλεση εργασιών ρύθμισης, σέρβις ή συντήρησης, απενεργοποιείτε το εργαλείο, αφήνετε την αλυσίδα να σταματήσει εντελώς και αφαιρείτε την μπαταρία από το εργαλείο.
- ◆ Χρησιμοποιείτε μόνο γνήσια ανταλλακτικά και αξεσουάρ.

### Αιτίες και αποφυγή κλοστήματος

Μπορεί να παρατηρηθεί κλόστημα όταν η μύτη ή το άκρο της μπάρας οδηγού έρθει σε επαφή με ένα αντικείμενο ή όταν το ξύλο περισφίξει και μαγκώσει την αλυσίδα μέσα στην τομή.

Η επαφή του άκρου με ένα αντικείμενο μπορεί σε ορισμένες περιπτώσεις να προκαλέσει απότομη αντίστροφη κίνηση, κλοτσώντας την μπάρα οδηγού προς τα πάνω και προς τα πίσω προς το μέρος του χειριστή.

Το μάγκωμα της αλυσίδας του εργαλείου κατά μήκος του πάνω μέρους της μπάρας οδηγού μπορεί να στρώξει γρήγορα προς τα πίσω την μπάρα οδήγησης προς το μέρος του χειριστή.

Μία από αυτές τις αντιδράσεις μπορεί να σας κάνει να χάσετε τον έλεγχο του αλυσοπρίονου με κίνδυνο σοβαρού τραυματισμού. Μη βασίζεστε αποκλειστικά στις διατάξεις ασφαλείας που διαθέτει το αλυσοπρίονό σας. Ως χρήστης αλυσοπρίονου, θα πρέπει να παίρνετε ορισμένες προφυλάξεις για να αποφύγετε τα ατυχήματα και τους τραυματισμούς κατά τη διάρκεια των εργασιών κοπής που εκτελείτε.

Το κλόστημα αποτελεί συνέπεια ενός εσφαλμένου ή ελλιπούς χειρισμού του αλυσοπρίονου. Μπορεί να αποφευχθεί με κατάλληλα προληπτικά μέτρα, όπως αυτά που περιγράφονται παρακάτω.

- ◆ **Κρατάτε γερά το αλυσοπρίονο, με τους αντίχειρες και τα δάχτυλα να περικλείουν την λαβή του αλυσοπρίονου. Να κρατάτε το αλυσοπρίονο και με τα δυο σας χέρια και να δίνετε στο σώμα και στους βραχίονές σας μια θέση, στην οποία θα μπορέσετε να αντιμετωπίσετε τυχόν αντιδραστικές δυνάμεις (κλότσηματα).** Όταν έχουν ληφθεί κατάλληλα προληπτικά μέτρα, ο χειριστής μπορεί να αντιμετωπίσει με επιτυχία το κλότσημα. Μην αφήνετε ελεύθερο το αλυσοπρίονο.
  - ◆ **Μην τεντώνεστε και μην κόβετε πάνω από το ύψος του ώμου σας.** Αυτό βοηθάει στην αποφυγή της ακούσιας επαφής του άκρου με άλλο αντικείμενο και επιτρέπει τον καλύτερο έλεγχο του αλυσοπρίονου σε απρόοπτες καταστάσεις.
  - ◆ **Χρησιμοποιείτε αποκλειστικά τις ανταλλακτικές ράβδους και αλυσίδες που καθορίζονται από τον κατασκευαστή.** Ακατάλληλες ανταλλακτικές μπάρες οδηγού και αλυσίδες μπορεί να προκαλέσουν το σπάσιμο της αλυσίδας ή/και το κλότσημα του εργαλείου.
  - ◆ **Να ακολουθείτε πάντα τις οδηγίες του κατασκευαστή σχετικά με το ακόνισμα και τη συντήρηση της αλυσίδας του εργαλείου.** Η μείωση του ύψους του ρυθμιστή βάθους κοπής μπορεί να οδηγήσει σε αύξηση του κλότσηματος.
- Συστάσεις ασφαλείας για το αλυσοπρίονο**
- ◆ Συνιστάται σε όσους χρησιμοποιούν αλυσοπρίονο για πρώτη φορά να λαμβάνουν πρακτικές οδηγίες για τη χρήση και τον προστατευτικό εξοπλισμό από έναν πεπειραμένο χρήστη. Θα πρέπει να γίνεται εξάσκηση στην κοπή κορμών πάνω σε καθαυτό ή ικρίωμα.
  - ◆ Όταν μετακινείτε το αλυσοπρίονο, να βεβαιώνεστε ότι το φρένο έχει εμπλακεί.
  - ◆ Διατηρείτε το αλυσοπρίονό σας σε καλή κατάσταση όταν δεν το χρησιμοποιείτε. Όταν φυλάσσετε το αλυσοπρίονο σας για μεγάλο χρονικό διάστημα πρέπει να αφαιρείτε την αλυσίδα και την μπάρα οδηγού και να τα φυλάσσετε μέσα σε λάδι. Φυλάσσετε όλα τα εξαρτήματα του αλυσοπρίονου σε ένα ξηρό, ασφαλές μέρος μακριά από τα παιδιά.
  - ◆ Συνιστάται να στραγγίσετε το δοχείο λαδιού πριν από την φύλαξη.
  - ◆ Βεβαιωθείτε ότι πατάτε καλά και σταθερά και προβλέψτε ένα δρόμο διαφυγής από το δέντρο ή τα κλαδιά που θα πέσουν.
  - ◆ Χρησιμοποιήστε σφήνες για να ελέγξετε καλύτερα την κοπή και να αποφύγετε την εμπλοκή της αλυσίδας και της μπάρας οδηγού μέσα στην τομή.
  - ◆ Φροντίδα της αλυσίδας του πριονιού. Διατηρείτε την αλυσίδα αιχμηρή και σφιχτή πάνω στην μπάρα οδηγού. Βεβαιωθείτε ότι η αλυσίδα και η μπάρα οδηγού είναι καθαρές και καλά λαδωμένες. Φροντίστε οι λαβές να είναι στεγνές, καθαρές και χωρίς λάδια ή γράσα.
- Κλότσημα προκαλείται στις παρακάτω περιπτώσεις:**
- ◆ Αν χτυπήσετε κλαδιά ή άλλα αντικείμενα τυχαία με μια αιχμή του πριονιού ενώ η αλυσίδα κινείται.
  - ◆ Αν χτυπήσετε μέταλλο, τσιμέντο ή άλλο σκληρό υλικό που βρισκείται κοντά στο ξύλο ή χυμμένο μέσα στο ξύλο.
  - ◆ Αν η αλυσίδα δεν είναι αιχμηρή ή αν είναι χαλαρή.
  - ◆ Αν κόβετε πάνω από το ύψος του ώμου.
  - ◆ Αν δεν προσέχετε όταν κρατάτε ή καθοδηγείτε το αλυσοπρίονο κατά τη διάρκεια της κοπής.
  - ◆ Αν δεν φτάνετε καλά το σημείο που θέλετε να κόψετε. Φροντίστε πάντοτε να έχετε την κατάλληλη στάση και να διατηρείτε την ισορροπία σας και να μην προσπαθείτε να κόψετε σημεία που δεν φτάνετε καλά.
  - ◆ Μην προσπαθήσετε να το εισάγετε σε παλιότερη κοπή. Θα μπορούσε να προκληθεί κλότσημα της μηχανής. Κάντε μια νέα κοπή κάθε φορά.
  - ◆ Συνιστάται να μην προσπαθήσετε να λειτουργήσετε το αλυσοπρίονο όταν στέκεστε πάνω σε δέντρο, κινητή σκάλα ή άλλες ασταθείς επιφάνειες. Αν αποφασίσετε να το κάνετε, να γνωρίζετε ότι αυτές οι θέσεις είναι πάρα πολύ επικίνδυνες.
  - ◆ Όταν κόβετε ένα κλαδί που είναι υπό πίεση, να προσέχετε να μην σας χτυπήσει όταν απελευθερωθεί από την πίεση και πεταχτεί προς τα πίσω.
- Μην κόβετε:**
- ◆ Έτοιμη ξυλεία.
  - ◆ Το έδαφος.
  - ◆ Φράχτες από συρματόπλεγμα, καρφιά κτλ.
  - ◆ Μικρούς θάμνους και δενδρύλλια γιατί τα λεπτά υλικά μπορεί να πιαστούν στην αλυσίδα και να πιναχτούν προς εσάς ή να σας κάνουν να χάσετε την ισορροπία σας.
  - ◆ Μη χρησιμοποιείτε το αλυσοπρίονο πάνω από το ύψος του ώμου σας.
  - ◆ Βεβαιωθείτε πως υπάρχει κάποιος κοντά (αλλά σε απόσταση ασφαλείας) για την περίπτωση ατυχήματος.
  - ◆ Αν για οποιονδήποτε λόγο πρέπει να ακουμπάτε την αλυσίδα, βεβαιωθείτε ότι το αλυσοπρίονο είναι αποσυνδεδεμένο από την παροχή ρεύματος.
  - ◆ Ο θόρυβος που προκαλείται από το προϊόν αυτό μπορεί να ξεπεράσει τα 80 dB(A). Επομένως σας συνιστούμε να λαμβάνετε τα απαραίτητα μέτρα για την προστασία της ακοής σας.

## Ασφάλεια τρίτων

- Αυτή η συσκευή δεν προορίζεται για χρήση από άτομα (στα οποία περιλαμβάνονται και τα παιδιά) με μειωμένες φυσικές, αντιληπτικές ή διανοητικές ικανότητες ή άτομα χωρίς εμπειρία και γνώσεις, παρά μόνο εφόσον επιτηρούνται ή τους έχουν δοθεί οδηγίες σχετικά με τη χρήση της συσκευής από άτομο υπεύθυνο για την ασφάλειά τους.
- Τα παιδιά πρέπει να επιτηρούνται για να διασφαλίζεται ότι δεν παίζουν με τη συσκευή.

## Δόνηση

Η δηλωμένη τιμή εκπομπής δόνησης που αναφέρεται στα τεχνικά χαρακτηριστικά και τη δήλωση συμμόρφωσης έχει μετρηθεί σύμφωνα με μια τυποποιημένη μέθοδο δοκιμής που παρέχεται από το πρότυπο EN 60745 και μπορεί να χρησιμοποιηθεί για τη σύγκριση ενός εργαλείου με ένα άλλο. Η δηλωμένη τιμή εκπομπής δόνησης μπορεί επίσης να χρησιμοποιηθεί σε έναν προκαταρκτικό προσδιορισμό της έκθεσης.

**Προειδοποίηση!** Η τιμή εκπομπής δόνησης κατά την πραγματική χρήση του ηλεκτρικού εργαλείου μπορεί να διαφέρει από τη δηλωμένη τιμή ανάλογα με το τρόπο που χρησιμοποιείται το εργαλείο. Η στάθμη δόνησης μπορεί να αυξηθεί πάνω από τη στάθμη που έχει δηλωθεί.

- Κατά τον προσδιορισμό της έκθεσης σε δόνηση για τον καθορισμό των απαιτούμενων μέτρων ασφάλειας σύμφωνα με την οδηγία 2002/44/ΕΚ για την προστασία προσώπων που χρησιμοποιούν συχνά ηλεκτρικά εργαλεία στην εργασία τους, μια προσεγγιστική εκτίμηση της έκθεσης σε δόνηση πρέπει να λαμβάνει υπόψη τις πραγματικές συνθήκες χρήσης και τον τρόπο χρήσης του εργαλείου, συμπεριλαμβανομένων και όλων των επιμέρους τμημάτων του κύκλου εργασίας, όπως, πόσες φορές τέθηκε το εργαλείο εκτός λειτουργίας, τότε είναι σε λειτουργία χωρίς φορτίο και επιπρόσθετα ο χρόνος πίεσης της σκανδάλης.

## Προειδοποιητικά σύμβολα

Το εργαλείο φέρει τα παρακάτω προειδοποιητικά σύμβολα:



**Προειδοποίηση!** Για να μειωθεί ο κίνδυνος τραυματισμού, ο χρήστης πρέπει να διαβάσει το εγχειρίδιο οδηγιών.



Μη χρησιμοποιείτε το πριόνι σε υγρές συνθήκες και μην το εκθέτετε στη βροχή.



Να φοράτε πάντα γυαλιά.



Να φοράτε πάντα προστατευτικά γυαλιά.



Να φοράτε πάντα αντιολισθητικά υποδήματα ασφαλείας.



Προσέχετε για τυχόν αντικείμενα που πέφτουν. Μην επιτρέπετε να πλησιάσουν άλλα άτομα.



Για να εξασφαλίσετε τη συνεχή ασφαλή λειτουργία, ελέγχετε την τάση της αλυσίδας όπως περιγράφεται σε αυτό το εγχειρίδιο μετά από κάθε 10 λεπτά χρήσης, και ρυθμίζετε τη ξανά σε διάκενο 3 mm όπως απαιτείται. Λαδώστε την αλυσίδα μετά από κάθε 10 λεπτά χρήσης.



Η κατεύθυνση περιστροφής της αλυσίδας.



Για να εξασφαλίσετε συνεχή και ασφαλή λειτουργία, η αλυσίδα και η μπάρα οδηγού πρέπει να αντικαθίστανται μόνο με γνήσια εξαρτήματα Black & Decker. Αριθμός ανταλλακτικού αλυσίδας A6158 αριθμός ανταλλακτικού μπάρας οδηγού 90517720.

## Συμπληρωματικές οδηγίες ασφαλείας - μπαταρίες και φορτιστές

### Μπαταρίες

- Μην επιχειρήσετε ποτέ να ανοίξετε τις μπαταρίες για οποιοδήποτε λόγο.
- Μην εκθέτετε την μπαταρία σε νερό.
- Μην εκθέτετε την μπαταρία σε θερμότητα.
- Μη φυλάσσετε τις μπαταρίες σε μέρη όπου η θερμοκρασία μπορεί να υπερβεί τους 40°C.
- Η φόρτιση πρέπει να γίνεται μόνο σε θερμοκρασίες περιβάλλοντος μεταξύ 10°C και 40°C.
- Η φόρτιση πρέπει να γίνεται μόνο με το φορτιστή που παρέχεται μαζί με τη συσκευή/εργαλείο. Η χρήση άλλου φορτιστή μπορεί να προκαλέσει ηλεκτροπληξία ή υπερθέρμανση της μπαταρίας.
- Όταν απορρίπτετε τις μπαταρίες, ακολουθήστε τις οδηγίες που δίνονται στην ενότητα "Προστασία του περιβάλλοντος".
- Μην καταστρέψετε/παράμορφωνετε την μπαταρία είτε τρυπώντας ή χτυπώντας την, διότι μπορεί να προκληθεί κίνδυνος τραυματισμού ή πυρκαγιάς.
- Μη φορτίζετε τις καεστραμμένες μπαταρίες.
- Κάτω από ακραίες συνθήκες, μπορεί να επέλθει διαρροή υγρών μπαταρίας. Αν παρατηρήσετε υγρό πάνω στις μπαταρίες, σκουπίστε το προσεκτικά με ένα πανί. Αποφύγετε την επαφή με το δέρμα.

- ◆ Στην περίπτωση επαφής με το δέρμα ή τα μάτια, ακολουθήστε τις παρακάτω οδηγίες.

**Προειδοποίηση!** Το υγρό της μπαταρίας μπορεί να προκαλέσει τραυματισμό ή υλικές ζημιές. Στην περίπτωση επαφής με το δέρμα, ξεπλύνετε αμέσως με άφθονο νερό. Αν παρουσιαστεί κοκκίνισμα του δέρματος, πόνος ή ερεθισμός, ζητήστε ιατρική βοήθεια. Στην περίπτωση επαφής με τα μάτια, ξεπλύνετε αμέσως με άφθονο καθαρό νερό και ζητήστε ιατρική βοήθεια.

### Φορτιστές

Ο φορτιστής σας είναι σχεδιασμένος για μια συγκεκριμένη ηλεκτρική τάση. Ελέγχετε πάντα αν η τάση τροφοδοσίας αντιστοιχεί σε αυτήν που αναγράφεται στην πινακίδα χαρακτηριστικών.

**Προειδοποίηση!** Ποτέ μην επιχειρείτε να αντικαταστήσετε τη μονάδα φορτιστή με έναν κανονικό ρευματολήπτη.

- ◆ Ο φορτιστής Black & Decker πρέπει να χρησιμοποιείται αποκλειστικά και μόνο για τη φόρτιση της μπαταρίας της συσκευής/του εργαλείου που συνοδεύει. Αν χρησιμοποιηθεί για άλλες μπαταρίες, αυτές μπορεί να εκραγούν, προκαλώντας τραυματισμό και ζημιές.
- ◆ Μην επιχειρείτε ποτέ να φορτίσετε μη επαναφορτιζόμενες μπαταρίες.
- ◆ Αν το καλώδιο ρεύματος έχει υποστεί φθορά, η αντικατάστασή του πρέπει να γίνει από τον κατασκευαστή ή από ένα εξουσιοδοτημένο κέντρο της Black & Decker, ώστε να μην αποτελέσει κίνδυνο.
- ◆ Μην εκθέτετε το φορτιστή σε νερό.
- ◆ Μην ανοίγετε το φορτιστή.
- ◆ Μην επεμβαίνετε στο φορτιστή.
- ◆ Κατά τη φόρτιση, η συσκευή/εργαλείο/μπαταρία πρέπει να βρίσκεται σε καλά αεριζόμενο χώρο.

### Ετικέτες επάνω στο φορτιστή

Ο φορτιστής φέρει τα παρακάτω σύμβολα:



Διαβάστε προσεκτικά ολόκληρο το εγχειρίδιο οδηγιών.



Ο φορτιστής απενεργοποιείται αυτόματα όταν η θερμοκρασία περιβάλλοντος ανέβει υπερβολικά με συνέπεια ο φορτιστής να αχρηστεύεται. Η βάση φόρτισης θα πρέπει να αποσυνδεθεί από την πρίζα και να μεταφερθεί σε ένα εξουσιοδοτημένο κέντρο.



Η φόρτιση πρέπει να γίνεται μόνο σε θερμοκρασίες περιβάλλοντος μεταξύ 10°C και 40°C.



Η βάση φόρτισης προορίζεται για χρήση σε εσωτερικούς χώρους μόνο.



Ο φορτιστής σας φέρει διπλή μόνωση, επομένως δεν απαιτείται σύρμα γείωσης. Ελέγχετε πάντα αν η τάση τροφοδοσίας αντιστοιχεί σε αυτήν που αναγράφεται στην πινακίδα χαρακτηριστικών.

### Ασφαλής χρήση ηλεκτρικού ρεύματος



Ο φορτιστής σας φέρει διπλή μόνωση, επομένως δεν απαιτείται σύρμα γείωσης. Ελέγχετε πάντα αν η τάση τροφοδοσίας αντιστοιχεί σε αυτήν που αναγράφεται στην πινακίδα χαρακτηριστικών.

Αν το καλώδιο ρεύματος έχει υποστεί φθορά, η αντικατάστασή του πρέπει να γίνει από τον κατασκευαστή ή από ένα εξουσιοδοτημένο κέντρο της Black & Decker, ώστε να μην αποτελέσει κίνδυνο.

**Προειδοποίηση!** Ποτέ μην επιχειρείτε να αντικαταστήσετε τη μονάδα φορτιστή με έναν κανονικό ρευματολήπτη.

### Χαρακτηριστικά

1. Διακόπτης on/off
2. Διακόπτης απασφάλισης
3. Πώμα λαδιού
4. Δοχείο λαδιού
5. Συναρμολόγηση μπροστινής μπάρας
6. Συναρμολόγηση καλύμματος αλυσίδας
7. Βίδα ρύθμισης τάνυσης αλυσίδας
8. Αλυσίδα
9. Μπάρα οδηγού
10. Μπαταρία
11. Θήκη αλυσίδας
12. Υποδοχή φορτιστή
13. Φορτιστής

### Συναρμολόγηση

**Προειδοποίηση!** Πριν από τη συναρμολόγηση, αφαιρέστε την μπαταρία (10) από το εργαλείο.

#### Τοποθέτηση και αφαίρεση της μπαταρίας (εικ. Α)

- ◆ Για να τοποθετήσετε την μπαταρία (10), ευθυγραμμίστε την με την υποδοχή στο εργαλείο. Ολισθήστε την μπαταρία (10) μέσα στην υποδοχή και σπρώξτε την μέχρι να ασφαλίσει στη θέση της.
- ◆ Για να αφαιρέσετε την μπαταρία (10), πατήστε το κουμπί απασφάλισης (24) και ταυτόχρονα τραβήξτε την μπαταρία (10) έξω από την υποδοχή.

**Προειδοποίηση!** Για να αποτρέψετε την κατά λάθος λειτουργία βεβαιωθείτε ότι έχετε αφαιρέσει την μπαταρία και τοποθετήστε τη θήκη της αλυσίδας (11) επάνω στην αλυσίδα (8) προτού εκτελέσετε τους ακόλουθους χειρισμούς. Σε αντίθετη περίπτωση υπάρχει κίνδυνος πρόκλησης σοβαρού τραυματισμού.

**Φόρτιση της μπαταρίας (εικ. Β & C)**

Η μπαταρία πρέπει να φορτιστεί πριν από την πρώτη χρήση και όποτε δεν μπορεί να παράγει αρκετή ισχύ για εργασίες που παλαιότερα εκτελούνταν με ευκολία. Όταν η μπαταρία φορτίζεται για πρώτη φορά ή μετά από παρατεταμένη αποθήκευση, θα φορτιστεί μόνο κατά το 80%. Μετά από μερικούς κύκλους φόρτισης και αποφόρτισης, η μπαταρία θα αποκτήσει πλήρη χωρητικότητα. Η μπαταρία μπορεί να ζεσταθεί κατά τη φόρτισή της. Αυτό είναι φυσιολογικό και δεν είναι ενδεικτικό κάποιου προβλήματος.

**Προειδοποίηση!** Μη φορτίζετε τη μπαταρία σε θερμοκρασίες περιβάλλοντος κάτω των 10°C ή άνω των 40°C. Συνιστώμενη θερμοκρασία φόρτισης: περίπου 24°C. Φορτιστής 8 ωρών (εικ. Β)

- ♦ Για να φορτίσετε τη μπαταρία (10), αφαιρέστε την από το εργαλείο και τοποθετήστε την υποδοχή φόρτισης (12) στη μπαταρία.
- ♦ Βάλτε το φορτιστή (13) στην πρίζα.

Η μπαταρία (10) θα έχει φορτιστεί πλήρως σε 8 περίπου ώρες. Μπορείτε να την αφαιρέσετε οποιαδήποτε στιγμή θέλετε ή μπορείτε να την αφήσετε συνεχώς πάνω στο φορτιστή.

**Φορτιστής 1 ώρας (εικ. C)**

- ♦ Για να φορτίσετε τη μπαταρία (10), αφαιρέστε την από το εργαλείο και τοποθετήστε την στο φορτιστή (23). Η μπαταρία μπαίνει στο φορτιστή κατά ένα τρόπο και μόνο. Μην τη ζορίζετε. Βεβαιωθείτε ότι η μπαταρία έχει εφαρμοστεί καλά στο φορτιστή.
- ♦ Βάλτε το φορτιστή στην πρίζα.

Ελέγξτε αν ανάβει η κόκκινη ένδειξη φόρτισης. Αν, αντί για την κόκκινη ένδειξη, ανάψει τώρα η πράσινη ένδειξη τέλους φόρτισης, η μπαταρία είναι ιδιαίτερα ζεστή και δεν μπορεί να φορτιστεί. Αν συμβεί αυτό, αφαιρέστε την μπαταρία από το φορτιστή, αφήστε την να κρυώσει για 1 ώρα περίπου και μετά βάλτε την και πάλι στο φορτιστή.

Μετά από περίπου 1 ώρα φόρτισης, ο κόκκινος δείκτης φόρτισης θα σβήσει και θα ανάψει ο πράσινος δείκτης τέλους φόρτισης. Η μπαταρία είναι πλέον τελείως φορτισμένη.

- ♦ Αφαιρέστε τη μπαταρία από το φορτιστή.

**Τοποθέτηση και αφαίρεση της αλυσίδας πριονιού (εικ. D - F & H)**

Φοράτε πάντα προστατευτικά γάντια κατά την τοποθέτηση ή αφαίρεση της αλυσίδας πριονιού (8). Η αλυσίδα πριονιού είναι αιχμηρή και μπορεί να σας τραυματίσει και χωρίς να κινείται.

- ♦ Τοποθετήστε το εργαλείο σε μια σταθερή επιφάνεια.

- ♦ Ξεσφίξτε τις 2 βίδες Allen (14) χρησιμοποιώντας το παρεχόμενο κλειδί Allen (21). Αφαιρέστε τις βίδες Allen (14).
- ♦ Αφαιρέστε το κάλυμμα της αλυσίδας (6).
- ♦ Στρέψτε αριστερόστροφα τη ρυθμιστική βίδα τάνυσης της αλυσίδας (7) ώστε να κάνετε δυνατή την υποχώρηση της μπάρας οδηγού (9) και να ελαττώσετε την τάνυση της αλυσίδας πριονιού (8).
- ♦ Αφαιρέστε την παλαιά αλυσίδα πριονιού (8) από τον οδοντωτό τροχό (15) και την μπάρα οδηγό (9).
- ♦ Τοποθετήστε την καινούρια αλυσίδα πριονιού (8) στην εσοχή της μπάρας οδηγού (9) και γύρω από τον οδοντωτό τροχό (15). Βεβαιωθείτε ότι τα δόντια βρίσκονται προς τη σωστή κατεύθυνση αντιστοιχώντας το βέλος επάνω στην αλυσίδα πριονιού (8) με το βέλος επάνω στον προφυλακτήρα της αλυσίδας (6).
- ♦ Βεβαιωθείτε ότι η εσοχή (17) στην μπάρα οδηγό (9) βρίσκεται επάνω από τις ακίδες οριοθέτησης (18) και ότι η σπή (20) κάτω από την εσοχή βρίσκεται επάνω από την ακίδα ρύθμισης (19).
- ♦ Τοποθετήστε τον προφυλακτήρα της αλυσίδας (6) και τις 2 βίδες Allen (14).
- ♦ Σφίξτε τις βίδες Allen (14) χρησιμοποιώντας το παρεχόμενο κλειδί Allen (21).
- ♦ Ρυθμίστε την τάνυση της αλυσίδας όπως περιγράφεται παρακάτω.

**Έλεγχος και ρύθμιση της τάνυσης της αλυσίδας (εικ. D και G)**

- ♦ Ελέγχετε την τάνυση της αλυσίδας. Η τάνυση έχει ρυθμιστεί σωστά όταν η αλυσίδα πριονιού (8) επανέρχεται αμέσως στη θέση της, αφού τραβηχτεί σε απόσταση 3 mm από τη ράβδο οδήγησης (9) με μικρή δύναμη με το μεσαίο δάχτυλο και τον αντίχειρα. Δεν πρέπει να υπάρχει «κοιλιά» μεταξύ της ράβδου οδήγησης αλυσίδας (9) και της αλυσίδας πριονιού (8) στην κάτω πλευρά.

Για να ρυθμίσετε την τάνυση:

- ♦ Χαλαρώστε τις 2 βίδες Allen (14).
- ♦ Γυρίστε τη βίδα ρύθμισης της τάνυσης αλυσίδας (7) προς τα δεξιά.

**Προειδοποίηση!** Μην τεντώσετε υπερβολικά την αλυσίδα, καθώς αυτό θα προκαλέσει υπερβολική φθορά και θα μειώσει τη διάρκεια ζωής της ράβδου και της αλυσίδας.

- ♦ Μόλις πετύχετε τη σωστή τάνυση της αλυσίδας, σφίξτε τις 2 βίδες Allen (14).

**Προειδοποίηση!** Όταν η αλυσίδα πριονιού είναι καινούρια, ελέγχετε συχνά την τάνυση κατά τη διάρκεια των δύο πρώτων ωρών χρήσης, καθώς μια νέα αλυσίδα πριονιού επιμηκύνεται ελαφρά.

**Γέμισμα του δοχείου λαδιού (εικ. Η)**

- ◆ Αφαιρέστε το πώμα λαδιού (3) και γεμίστε το δοχείο (4) με το συνιστώμενο λάδι για αλυσίδες. Μπορείτε να δείτε το επίπεδο του λαδιού στο δοχείο (4). Τοποθετήστε και πάλι την τάπα λαδιού (3).
- ◆ Κατά περιόδους να θέτετε εκτός λειτουργίας το μηχανήμα και να ελέγχετε τη στάθμη λαδιού. Εάν είναι γεμάτο λιγότερο από το ένα τέταρτο, αφαιρέστε την μπαταρία (10) από το εργαλείο και αναπληρώστε το δοχείο (4) με το σωστό λάδι.

**Λάδωμα της αλυσίδας (εικ. Η)**

Η αλυσίδα πριονιού (8) πρέπει να λαδώνεται πριν από κάθε χρήση και μετά τον καθαρισμό χρησιμοποιώντας μόνο το σωστό τύπο λαδιού (αρ. κατ. Α6027).

- ◆ Λιπαίνεται την αλυσίδα πριονιού (8) πιέζοντας δύο φορές το εξόγκωμα της τάπας λαδιού (3) πριν από κάθε κοπή, κρατώντας το εξόγκωμα πιεσμένο για 3-4 δευτερόλεπτα.

**Αναπόφευκτοι κίνδυνοι**

Μπορεί να προκληθούν επιπρόσθετοι αναπόφευκτοι κίνδυνοι όταν χρησιμοποιείτε το εργαλείο οι οποίοι μπορεί να μη συμπεριλαμβάνονται στις προειδοποιήσεις ασφαλείας που εσωκλείονται. Αυτοί οι κίνδυνοι μπορεί να προκληθούν από κακή χρήση, παρατεταμένη χρήση κτλ.

Ακόμα και με την τήρηση των σχετικών κανονισμών ασφαλείας και τη χρήση μέσων προστασίας, ορισμένοι κίνδυνοι δεν είναι δυνατό να εξαλειφθούν. Αυτοί περιλαμβάνουν:

- ◆ Τραυματισμούς από το άγγιγμα των περιστρεφόμενων/κινούμενων μερών.
- ◆ Τραυματισμούς από αλλαγή οποιονδήποτε εξαρτημάτων, λεπίδων ή αξεσουάρ.
- ◆ Τραυματισμούς από παρατεταμένη χρήση του εργαλείου. Όταν χρησιμοποιείτε οποιοδήποτε εργαλείο για παρατεταμένες χρονικές περιόδους βεβαιωθείτε ότι κάνετε τακτικά διαλείμματα.
- ◆ Προβλήματα ακοής.
- ◆ Κίνδυνοι στην υγεία που προκαλούνται από την εισπνοή σκόνης όταν χρησιμοποιείτε το εργαλείο (παραδείγματα: - όταν επεξεργάζεστε ξύλο, ειδικά δρυς, οξιά και MDF).

**Χρήση****Ενεργοποίηση και απενεργοποίηση (εικ. Η)**

**Προειδοποίηση!** Αφήστε το εργαλείο να λειτουργήσει με το δικό του ρυθμό. Μην το υπερφορτώνετε.

Για την ασφάλειά σας, αυτό το εργαλείο είναι εξοπλισμένο με διπλό σύστημα ενεργοποίησης. Αυτό το σύστημα εμποδίζει το να τεθεί ακούσια το εργαλείο σε λειτουργία.

**Ενεργοποίηση**

- ◆ Πατήστε το κουμπί απασφάλισης (2) και ταυτόχρονα πιέστε το διακόπτη ενεργοποίησης/απενεργοποίησης (1).
- ◆ Απελευθερώστε το κουμπί απασφάλισης (2).

**Απενεργοποίηση**

- ◆ Αφήστε το διακόπτη on/off (1).

**Προειδοποίηση!** Μην επιχειρήσετε ποτέ να ασφαλίσετε ένα διακόπτη στη θέση ενεργοποίησης (ON).

**Κλάδεμα δέντρων (εικ. Η)**

Βεβαιωθείτε ότι δεν υπάρχουν τοπικοί νόμοι ή κανονισμοί που απαγορεύουν ή περιορίζουν το κλάδεμα των κλαδιών των δέντρων. Το κλάδεμα θα πρέπει να αναλαμβάνεται μόνο από πεπειραμένα άτομα, ειδικά αυξάνεται ο κίνδυνος από την εμπλοκή της αλυσίδας (8) και το κλάσσημα του αλυσοπριονίου.

Πριν το κλάδεμα λάβετε υπόψη όλες τις συνθήκες που μπορούν να επηρεάσουν την κατεύθυνση πτώσης, συμπεριλαμβανομένων

- ◆ Του μήκους και του βάρους του κλαδιού που θα κοπεί.
- ◆ Οποιοδήποτε δομικό χαρακτηριστικό του κλαδιού με μεγάλο βάρος ή τυχόν σημεία σήψης.
- ◆ Των γύρω δέντρων και εμποδίων, συμπεριλαμβανομένων των αναρτημένων συρμάτων, σχοινίων, καλωδίων κ.λπ. που υπάρχουν στο χώρο.
- ◆ Της ταχύτητας και της διεύθυνσης του ανέμου.
- ◆ Της εμπλοκής των κλαδιών με άλλα κλαδιά.

Ο χειριστής πρέπει να εξετάζει την πρόσβαση στο κλαδί του δέντρου και την κατεύθυνση πτώσης. Τα κλαδιά του δέντρου μπορεί να αιωρηθούν προς το κορμό του δέντρου. Εκτός από τον χρήστη, κάθε παρευρισκόμενος, κτίριο ή αντικείμενο κάτω από το κλαδί εκτίθεται σε κίνδυνο.

Πρώτα, κόψτε κατά ένα τρίτο από κάτω προς τα πάνω για να αποφύγετε την δημιουργία σχιζών. Δεύτερον, κόψτε από πάνω προς τα κάτω έως να συναντήσετε την πρώτη κοπή.

**Ερασιτεχνικό κόψιμο ξύλων (εικ. J)**

Ο τρόπος κοπής εξαρτάται από τον τρόπο στήριξης του κορμού. Να χρησιμοποιείτε καβαλέτο όποτε είναι δυνατόν. Να ξεκινάτε να κόβετε πάντα με την αλυσίδα (8) σε λειτουργία και τον ακιδωτό προφυλακτήρα σε επαφή με το ξύλο. Για να ολοκληρώσετε την κοπή χρησιμοποιήστε την περιστροφική κίνηση του ακιδωτού προφυλακτήρα πάνω στο ξύλο.

Όταν στηρίζεται σε όλο το μήκος του:

- ◆ Κάντε μια κοπή προς τα κάτω, αποφεύγοντας να κομμητήσετε το έδαφος καθώς αυτό θα στομώσει την αλυσίδα σας πολύ γρήγορα.

Όταν στηρίζεται στα δύο άκρα:



- ♦ Πρώτα, κόψτε κατά ένα τρίτο προς τα κάτω για να αποφύγετε τη δημιουργία σχιζών, και δεύτερον, κόψτε πάλι έως να συναντήσετε την πρώτη κοπή.

Όταν σπριζίζεται στο ένα άκρο:

- ♦ Πρώτα, κόψτε κατά ένα τρίτο προς τα πάνω για να αποφύγετε τη δημιουργία σχιζών, και δεύτερον, κόψτε πάλι έως να συναντήσετε την πρώτη κοπή

Σε κλίση:

- ♦ Να στέκεστε πάντα από την πάνω μεριά.

Όταν χρησιμοποιείτε καβαλέτο (εικ. J):

Συνιστάται όποτε είναι δυνατόν.

- ♦ Τοποθετήστε τον κορμό σε μια σταθερή θέση. Να κόβετε πάντα από την εξωτερική πλευρά των στηριγμάτων του καβαλέτου. Χρησιμοποιείτε στεφικτήρες ή λουριά για να ασφαλίσετε το επεξεργαζόμενο αντικείμενο.

## Καθαρισμός συντήρησης και αποθήκευση

Αυτό το εργαλείο της Black & Decker έχει σχεδιαστεί έτσι ώστε να λειτουργεί για μεγάλο χρονικό διάστημα με την ελάχιστη δυνατή συντήρηση.

Η αδιάλειπτη και ικανοποιητική λειτουργία του εργαλείου εξαρτάται από τη φροντίδα και τον τακτικό καθαρισμό.

Ο φορτιστής σας δεν απαιτεί κάποια συντήρηση εκτός του τακτικού καθαρισμού.

**Προειδοποίηση!** Προτού πραγματοποιήσετε κάποια συντήρηση στο εργαλείο, αφαιρέστε την μπαταρία από το εργαλείο. Πριν καθαρίσετε τον φορτιστή, αποσυνδέστε τον από την πρίζα.

### Τοποθέτηση της τάπας μπαταρίας (εικ. K)

**Προειδοποίηση!** Τοποθετήστε την τάπα (22) στην μπαταρία (10) για μεταφορά και αποθήκευση.

### Μετά τη χρήση και πριν την αποθήκευση

Καθαρίζετε σε τακτική βάση τις εγχοπές εξαιρισμού με ένα καθαρό, στεγνό πινέλο βαφής.

Για τον καθαρισμό του εργαλείου, χρησιμοποιήστε αποκλειστικά ήπιο σαπούνι και υγρό πανί. Μην επιτρέψετε ποτέ να εισέλθει υγρό στο εσωτερικό του εργαλείου και μη βυθίσετε ποτέ οποιοδήποτε εξάρτημα του εργαλείου σε υγρό.

- ♦ Αφαιρέστε τα κατάλοιπα χρησιμοποιώντας μια σκληρή βούρτσα.
- ♦ Λιπάνετε την αλυσίδα (8) με λάδι.

## Ακόνισμα της αλυσίδας του πριονιού

Για την καλύτερη δυνατόν απόδοση του εργαλείου, είναι σημαντικό να κρατάτε τα δόντια της αλυσίδας ακονισμένα. Οι οδηγίες για αυτήν την διαδικασία βρίσκονται στο πακέτο του ακονιστή. Για τον σκοπό αυτό συνιστάται να αγοράσετε το σετ ακονίσματος αλυσίδας πριονιού της Black & Decker, το οποίο διατίθεται στα εξουσιοδοτημένα κέντρα επισκευών της Black & Decker (αρ. κατ. A6039).

## Αντικατάσταση αλυσίδων και ράβδων οδήγησης αλυσίδας που έχουν φθαρεί ή καταστραφεί

Τα καταστήματα πώλησης και τα εξουσιοδοτημένα κέντρα επισκευών της Black & Decker διαθέτουν ανταλλακτικές αλυσίδες (αρ. κατ. A6158), ενώ μόνο τα εξουσιοδοτημένα κέντρα επισκευών της Black & Decker διαθέτουν ανταλλακτικές μπάρες οδηγούς (αρ. κατ. 90517720). Για να αποτρέψετε τον κίνδυνο τραυματισμού, χρησιμοποιείτε μόνο γνήσιες αλυσίδες και μπάρες οδηγούς Black & Decker. Να χρησιμοποιείτε πάντα γνήσια ανταλλακτικά.

## Ικανότητα κοπής της αλυσίδας πριονιού

Οι κόφτες της αλυσίδας θα στομώσουν αμέσως εάν έρθουν σε επαφή με το έδαφος ή ένα καρφί κατά τη διάρκεια της κοπής.

## Τάση της αλυσίδας πριονιού

Να ελέγχετε τακτικά την τάση της αλυσίδας.

## Αν το αλυσοπρίονο χρειάζεται επισκευή.

Το εργαλείο σας πληροί τις σχετικές προδιαγραφές ασφαλείας. Οι επισκευές θα πρέπει να γίνονται μόνο από ειδικευμένους τεχνικούς και με τη χρήση αποκλειστικά γνήσιων ανταλλακτικών, διαφορετικά υπάρχει το ενδεχόμενο σοβαρού κινδύνου για το χρήστη. Συνιστάται να φυλάσσετε αυτό το χειρίδιο χρήσης σε ένα ασφαλές μέρος.

## Αποθήκευση

Εάν το εργαλείο δεν πρόκειται να χρησιμοποιηθεί για αρκετούς μήνες, είναι προτιμότερο να αφήσετε την μπαταρία (10) συνδεδεμένη με το φορτιστή.

Διαφορετικά, κάντε τα ακόλουθα:

- ♦ Αφαιρέστε την μπαταρία (10) από το εργαλείο.
- ♦ Φορτίστε πλήρως την μπαταρία (10).
- ♦ Αποθηκεύστε το εργαλείο και την μπαταρία (10) σε ασφαλές και στεγνό μέρος. Η θερμοκρασία αποθήκευσης πρέπει πάντοτε να παραμένει μεταξύ +5 °C και +40 °C. Τοποθετήστε την μπαταρία (10) σε μια επίπεδη επιφάνεια.
- ♦ Πριν από τη χρήση του εργαλείου μετά από παρατεταμένη αποθήκευση, φορτίστε την μπαταρία (10) ξανά.

## Προστασία του περιβάλλοντος



Ξεχωριστή περισυλλογή. Αυτό το προϊόν δεν πρέπει να απορρίπτεται μαζί με τα κοινά οικιακά απορρίμματα.

Εάν κάποια μέρα διαπιστώσετε ότι το προϊόν σας Black & Decker χρειάζεται αντικατάσταση, ή ότι δεν το χρειάζεστε άλλο, μην το απορρίψετε μαζί με τα κοινά οικιακά απορρίμματα αλλά κάντε αυτό το προϊόν διαθέσιμο για ξεχωριστή περισυλλογή.



Η ξεχωριστή περισυλλογή των μεταχειρισμένων προϊόντων και των υλικών συσκευασίας επιτρέπει την ανακύκλωση και επαναχρησιμοποίηση των υλικών. Με την επαναχρησιμοποίηση των ανακυκλωμένων υλικών αποτρέπεται η μόλυνση του περιβάλλοντος και μειώνεται η ζήτηση πρώτων υλών.

Οι κανονισμοί που ισχύουν στην περιοχή σας ενδέχεται να προβλέπουν την ξεχωριστή περισυλλογή των ηλεκτρικών συσκευών που προέρχονται από νοικοκυριά σε κρατικές εγκαταστάσεις ή από τον έμπορο όταν αγοράσετε ένα καινούργιο προϊόν.

Η Black & Decker δίνει τη δυνατότητα ανακύκλωσης των προϊόντων της που έχουν συμπληρώσει τη διάρκεια ζωής τους. Για να χρησιμοποιήσετε αυτήν την υπηρεσία, επιστρέψτε το προϊόν σας σε οποιοδήποτε εξουσιοδοτημένο κέντρο επισκευών, όπου θα το παραλάβουν εκ μέρους μας.

Ενημερωθείτε για το πλησιέστερο εξουσιοδοτημένο κέντρο επισκευών της περιοχής σας, επικοινωνώντας με τα γραφεία της Black & Decker στη διεύθυνση που αναγράφεται στο εγχειρίδιο. Επίσης, μια λίστα με τα εξουσιοδοτημένα κέντρα επισκευών της Black & Decker και πλήρεις λεπτομέρειες που παρέχονται μετά την πώληση, υπάρχουν στο Διαδίκτυο στη διεύθυνση:

**[www.2helpU.com](http://www.2helpU.com)**

### Μπαταρίες



Οι μπαταρίες Black & Decker μπορούν να επαναφορτιστούν πολλές φορές. Στο τέλος της ωφέλιμης ζωής τους, απορρίψτε τις μπαταρίες με την πρέπουσα φροντίδα για το περιβάλλον μας:

- ◆ Χρησιμοποιήστε το εργαλείο μέχρι να αδειάσει εντελώς η μπαταρία και στη συνέχεια αφαιρέστε τη από το εργαλείο.

- ◆ Οι μπαταρίες NiCd και NiMH είναι ανακυκλώσιμες. Παραδώστε τις σε οποιοδήποτε εξουσιοδοτημένο αντιπρόσωπο επισκευών ή στον πλησιέστερο σταθμό ανακύκλωσης της περιοχής σας.

## Τεχνικά χαρακτηριστικά

	GKC1817 H1	GKC1817P H1	GKC1817NM H1
Τάση	Vdc 18	18	18
Ταχύτητα αλυσίδας χωρίς φορτίο	min <sup>-1</sup> 190	190	190
Βάρος	kg 2	2	2

Μπαταρία Μοντέλα	A18 GKC1817	A1718 GKC1817P	A18NH GKC1817NM
Τάση	Vdc 18	18	18
Χωρητικότητα	Ah 1,5	1,7	1,5
Βάρος	kg 0,8	0,8	0,8

Φορτιστής Μοντέλα	TPCA-240080*1 GKC1817, GKC1817P	TPCA-240080*2 GKC1817NM	31190*-** GKC1817, GKC1817P	TPCA-180021*1 GKC1817NM
Τάση εισόδου	Vac 200-240	200-240	230-240	230-240
Τάση εξόδου	Vdc 18	18	21,75	21,75
Ρεύμα εξόδου	mA 800	800	210 / 230	200-240
Χρόνος φόρτισης κατά προσέγγιση	h 1	1	8	8
Βάρος	kg 0,399	0,4	0,365	0,556

Εγγυημένο επίπεδο ηχητικής πίεσης, το οποίο μετράται σύμφωνα με το πρότυπο: 2000/14/EK.

$L_{pA}$  (ηχητική πίεση) 78,6 dB(A), αβεβαιότητα (K) 3 dB(A)

$L_{WA}$  (ηχητική ισχύς) 89,6 dB(A), αβεβαιότητα (K) 3 dB(A)

$L_{WA}$  (εγγυημένο επίπεδο) 90 dB(A)

Χρησιμοποιείτε πάντα ωτασπίδες εάν η ηχητική πίεση  
ξεπερνάει τα 80 dB (A).

Τιμή χειροβραχιονικής δόνησης σύμφωνα με το πρότυπο EN 60745: 4 m/sec<sup>2</sup>

## Δήλωση συμμόρφωσης με την Ευρωπαϊκή Κοινότητα

ΟΔΗΓΙΑ ΠΕΡΙ ΜΗΧΑΝΗΜΑΤΩΝ



**GKC1817, GKC1817P, GKC1817NM**

Η Black & Decker δηλώνει ότι αυτά τα προϊόντα που περιγράφονται στα "τεχνικά χαρακτηριστικά" συμμορφώνονται με:  
2006/42/ΕΚ, EN60745-1, EN60745-2-13

Για περισσότερες πληροφορίες, παρακαλούμε επικοινωνήστε με την Black & Decker στην παρακάτω διεύθυνση ή ανατρέξτε στο πίσω μέρος του χειριριδίου.

Ο κάτωθι υπογεγραμμένος είναι υπεύθυνος για την κατάρτιση του τεχνικού φακέλου και δηλώνει τα παρόντα εκ μέρους της Black & Decker.

Kevin Hewitt  
Vice-President Global Engineering  
Black & Decker Europe, 210 Bath Road, Slough,  
Berkshire, SL1 3YD  
Ηνωμένο Βασίλειο  
12-04-2010

## Εγγύηση

Η Black & Decker είναι σίγουρη για την ποιότητα των προϊόντων της και παρέχει σημαντική εγγύηση. Η παρούσα γραπτή εγγύηση αποτελεί πρόσθετο δικαίωμά σας και δεν ζημιώνει τα νόμιμα δικαιώματά σας. Η εγγύηση ισχύει εντός της επικράτειας των Κρατών Μελών της Ευρωπαϊκής Ένωσης και της Ευρωπαϊκής Ζώνης Ελευθέρων Συναλλαγών.

Σε περίπτωση που κάποιο προϊόν της Black & Decker παρουσιάσει βλάβη εξαιτίας ελαττωματικών υλικών, ποιότητας εργασίας ή έλλειψης συμφωνίας με τις προδιαγραφές εντός 24 μηνών από την ημερομηνία αγοράς, η Black & Decker εγγυάται την αντικατάσταση των ελαττωματικών τμημάτων, την επισκευή προϊόντων που έχουν υποστεί εύλογη φθορά λόγω χρήσης ή την αντικατάσταση των προϊόντων προκειμένου να εξασφαλίσει την ελάχιστη ενόχληση στους πελάτες της, εκτός εάν:

- ◆ Το προϊόν έχει χρησιμοποιηθεί σε εργασιακό, επαγγελματικό περιβάλλον ή έχει νοικιαστεί.
- ◆ Έχει γίνει εσφαλμένη χρήση του προϊόντος ή έχει παραμεληθεί.
- ◆ Το προϊόν έχει υποστεί βλάβη από άλλα αντικείμενα, από ουσίες ή λόγω ατυχήματος.
- ◆ Έχει γίνει προσπάθεια επισκευής από μη εξουσιοδοτημένα κέντρα επισκευών ή από προσωπικό που δεν ανήκει στο προσωπικό της Black & Decker.

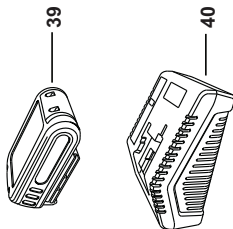
Για να ισχύσει η εγγύηση, πρέπει να υποβάλετε απόδειξη αγοράς στον πωλητή ή το εξουσιοδοτημένο κέντρο επισκευών. Ενημερωθείτε για το πλησιέστερο εξουσιοδοτημένο κέντρο επισκευών της περιοχής σας, επικοινωνώντας με τα γραφεία της Black & Decker στη διεύθυνση που αναγράφεται στο χειριριδίο. Επίσης, μια λίστα με τα εξουσιοδοτημένα κέντρα επισκευών της Black & Decker και πλήρεις λεπτομέρειες που παρέχονται μετά την πώληση, υπάρχουν στο Διαδίκτυο στη διεύθυνση: [www.2helpU.com](http://www.2helpU.com)

Παρακαλούμε επισκεφθείτε την ιστοσελίδα μας [www.blackanddecker.eu](http://www.blackanddecker.eu) για να καταχωρήσετε το νέο σας προϊόν Black & Decker και για να ενημερώνεστε για τα νέα προϊόντα και τις ειδικές προσφορές. Περισσότερες πληροφορίες σχετικά με τη μάρκα Black & Decker και τη σειρά των προϊόντων μας θα βρείτε στη διεύθυνση [www.blackanddecker.eu](http://www.blackanddecker.eu).

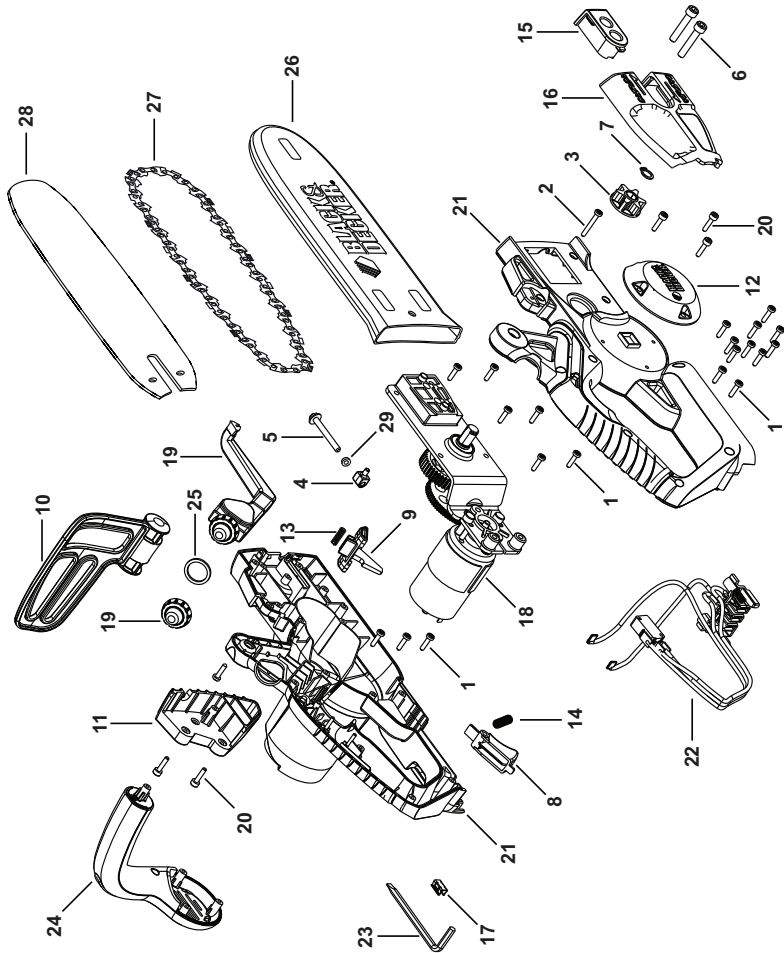
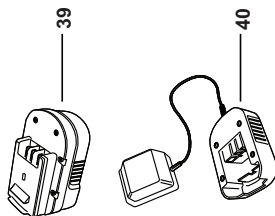
**GKC1817(L)(P)(NM)**

TYP.  
H1

GKC1817L



GKC1817(P)(NM)



©

ENGLISH

**Do not forget to register your product!**  
**[www.blackanddecker.co.uk/productregistration](http://www.blackanddecker.co.uk/productregistration)**

Register your product online at **[www.blackanddecker.co.uk/productregistration](http://www.blackanddecker.co.uk/productregistration)** or send your name, surname and product code to Black & Decker in your country.

DEUTSCH

**Vergessen Sie nicht, Ihr Produkt registrieren zu lassen!**  
**[www.blackanddecker.de/productregistration](http://www.blackanddecker.de/productregistration)**

Lassen Sie Ihr Produkt unter **[www.blackanddecker.de/productregistration](http://www.blackanddecker.de/productregistration)** online registrieren oder schicken Sie Ihren Nachnamen, Vornamen und den Produktcode an Black & Decker in Ihrem Land.

FRANÇAIS

**N'oubliez pas d'enregistrer votre produit !**  
**[www.blackanddecker.fr/productregistration](http://www.blackanddecker.fr/productregistration)**

Enregistrez votre produit en ligne sur **[www.blackanddecker.fr/productregistration](http://www.blackanddecker.fr/productregistration)** ou envoyez vos nom, prénom et code produit à Black & Decker dans votre pays.

ITALIANO

**Non dimenticate di registrare il prodotto!**  
**[www.blackanddecker.it/productregistration](http://www.blackanddecker.it/productregistration)**

Registrate il prodotto online su **[www.blackanddecker.it/productregistration](http://www.blackanddecker.it/productregistration)** o inviate nome, cognome e codice del prodotto al centro Black & Decker del vostro paese.

NEDERLANDS

**Vergeet niet uw product te registreren!**  
**[www.blackanddecker.nl/productregistration](http://www.blackanddecker.nl/productregistration)**

U kunt uw product online registreren op **[www.blackanddecker.nl/productregistration](http://www.blackanddecker.nl/productregistration)** of u kunt uw voornaam, achternaam en productcode opsturen naar Black & Decker in uw land.

ESPAÑOL

**¡No olvide registrar su producto!**  
**[www.blackanddecker.es/productregistration](http://www.blackanddecker.es/productregistration)**

Registre su producto on-line en **[www.blackanddecker.es/productregistration](http://www.blackanddecker.es/productregistration)** o envíe su nombre, apellidos y código de producto a Black & Decker en su país.

PORTUGUÊS

**Não se esqueça de registrar o seu produto!**  
**[www.blackanddecker.pt/productregistration](http://www.blackanddecker.pt/productregistration)**

Registe o seu produto online em **[www.blackanddecker.pt/productregistration](http://www.blackanddecker.pt/productregistration)** ou envie o seu nome, apelido e código do produto para a Black & Decker no seu país.

SVENSKA

**Glöm inte att registrera produkten!**  
**[www.blackanddecker.se/productregistration](http://www.blackanddecker.se/productregistration)**

Registrera produkten online på **[www.blackanddecker.se/productregistration](http://www.blackanddecker.se/productregistration)** eller skicka namn och produktkod till Black & Decker i landet du bor i.

NORSK

**Ikke glem å registrere produktet ditt!**  
**[www.blackanddecker.no/productregistration](http://www.blackanddecker.no/productregistration)**

Registrer produktet ditt online på **[www.blackanddecker.no/productregistration](http://www.blackanddecker.no/productregistration)**, eller send ditt navn, etternavn og produktkode til Black & Decker i ditt eget land.

DANSK

**Glem ikke at registrere dit produkt!**  
**[www.blackanddecker.dk/productregistration](http://www.blackanddecker.dk/productregistration)**

Registrer dit produkt på internettet på: **[www.blackanddecker.dk/productregistration](http://www.blackanddecker.dk/productregistration)** eller send dit navn, efternavn og produktkode til Black & Decker i dit eget land.

SUOMI

**Muistathan rekisteröidä tuotteesi!**  
**[www.blackanddecker.fi/productregistration](http://www.blackanddecker.fi/productregistration)**

Rekisteröi tuotteesi verkossa osoitteessa **[www.blackanddecker.fi/productregistration](http://www.blackanddecker.fi/productregistration)** tai lähetä etunimesi, sukunimesi ja tuotekoodi oman maasi Black & Decker -edustajalle.

ΕΛΛΗΝΙΚΑ

**Μην ξεχάσετε να καταχωρίσετε το προϊόν σας!**  
**[www.blackanddecker.gr/productregistration](http://www.blackanddecker.gr/productregistration)**

Καταχωρίστε το προϊόν σας σε σύνδεση στη σελίδα **[www.blackanddecker.gr/productregistration](http://www.blackanddecker.gr/productregistration)** ή στείλτε το όνομα, επίθετο σας και τον κωδικό πριονωτός στη Black & Decker στη χώρα σας.

<b>België/Belgique</b>	Black & Decker (Belgium) N.V. Nieuwlandlaan 321 3200 Aarschot	Tel. Fax	016 68 91 00 016 68 91 11
<b>Danmark</b>	Black & Decker Sluseholmen 2-4, 2450 København SV Internet: <a href="http://www.blackanddecker.dk">www.blackanddecker.dk</a>	Tel. Fax	70 20 15 10 70 22 49 10
<b>Deutschland</b>	Black & Decker GmbH Black & Decker Str. 40, D - 65510 Idstein	Tel. Fax	06126/21 - 0 06126/21 29 80
<b>Ελλάδα</b>	Black & Decker (Ελλάς) A.E. Στράβωνος 7 & Λεωφ. Βουλιαγμένης 159 166 74 Γλυφάδα - Αθήνα	Τηλ. Φαξ www.blackanddecker.eu	210 8981616 210 8983285
<b>España</b>	Black & Decker Ibérica, S.C.A. Parc de Negocis "Mas Blau" Edificio Muntadas, c/Bergadá, 1, Of. A6 08820 El Prat de Llobregat (Barcelona)	Tel. Fax	934 797 400 934 797 419
<b>France</b>	Black & Decker (France) S.A.S. B.P. 21, 69571 Dardilly Cédex	Tel. Fax	04 72 20 39 20 04 72 20 39 00
<b>Helvetia</b>	ROFO AG Gewerbezone Seeblick 3213 Kleinbösingen	Tel. Fax	026-6749391 026-6749394
<b>Italia</b>	Black & Decker Italia SpA Viale Elvezia 2 20052 Monza (MI)	Tel. Fax Numero verde	039-23871 039-2387592/2387594 800-213935
<b>Nederland</b>	Black & Decker Benelux Joulehof 12, 4622 RG Bergen op Zoom	Tel. Fax	0164 - 283000 0164 - 283100
<b>Norge</b>	Black & Decker (Norge) A/S Postboks 4814, Nydalen, 0422 Oslo Internet: <a href="http://www.blackanddecker.no">www.blackanddecker.no</a>	Tlf. Fax	22 90 99 00 22 90 99 01
<b>Österreich</b>	Black & Decker Vertriebsges.m.b.H Oberlaaerstraße 246, A1100 Wien	Tel. Fax	01 66116-0 01 66116-14
<b>Portugal</b>	Black & Decker Rua Egas Moniz 173 S. João do Estoril 2766-651 Estoril	Tel. Fax	214667500 214667580
<b>Suomi</b>	Black & Decker Oy Keilasatama 3, 02150 Espoo Black & Decker Oy, Kägelhamnen 3, 02150 Esbo	Puh. Faksi Tel. Fax	010 400 430 (09) 2510 7100 010 400 430 (09) 2510 7100
<b>Sverige</b>	Black & Decker AB Fabriksg. 7, 412 50 Göteborg	Tel. Fax	031-68 60 60 031-68 60 80
<b>United Kingdom</b>	Black & Decker 210 Bath Road Slough, Berkshire SL1 3YD	Tel. Fax Helpline	01753 511234 01753 551155 01753 574277
<b>Middle East &amp; Africa</b>	Black & Decker (Overseas) A.G. PB 5420, Dubai, United Arab Emirates	Tel. Fax	+971 4 2826464 +971 4 2826466