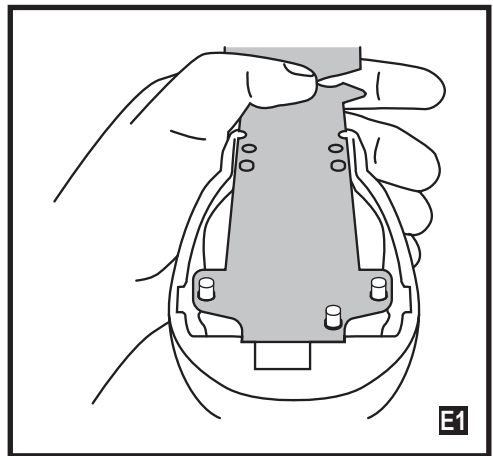
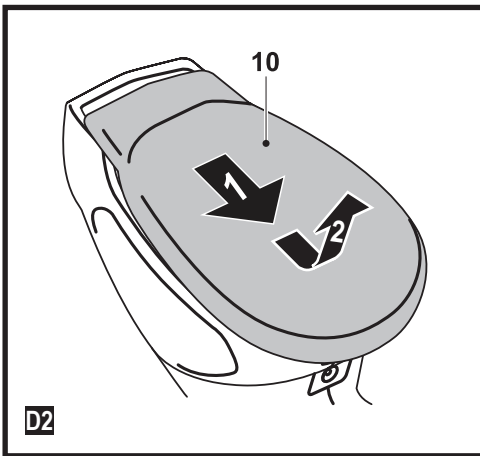
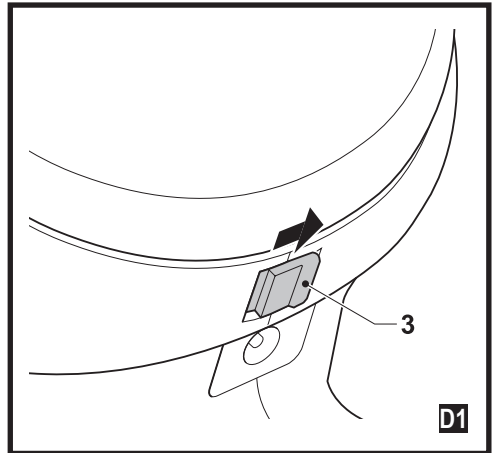
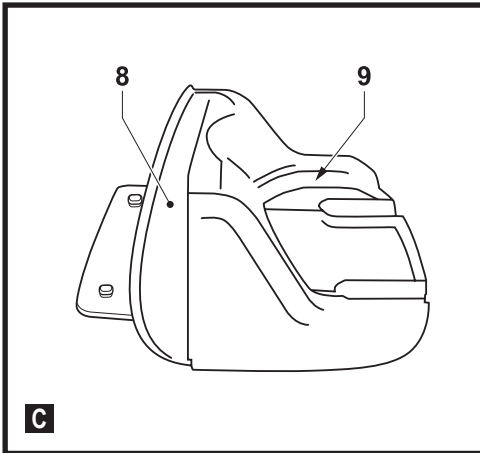
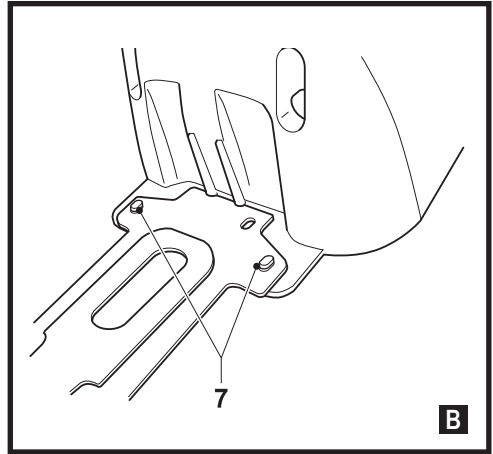
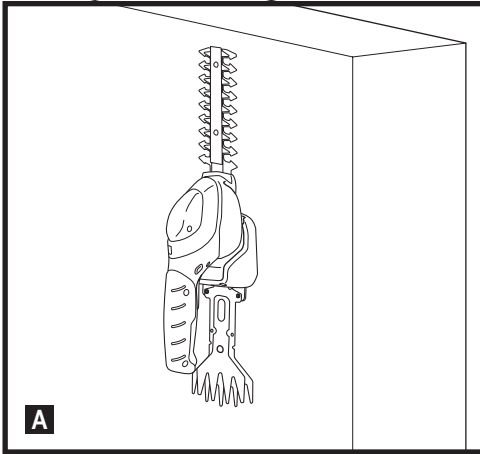
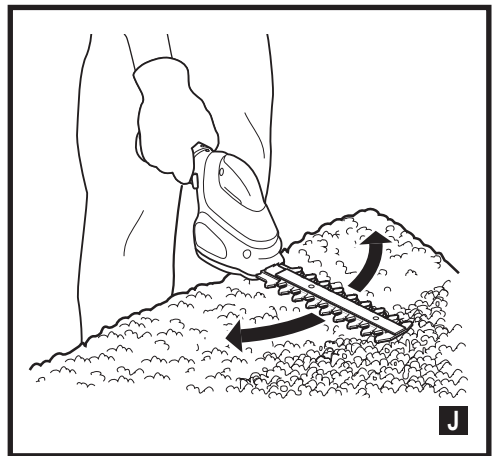
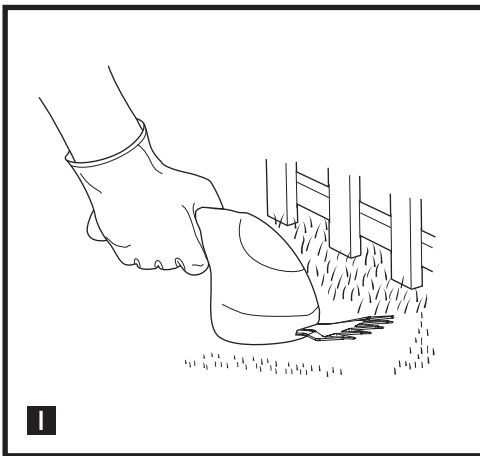
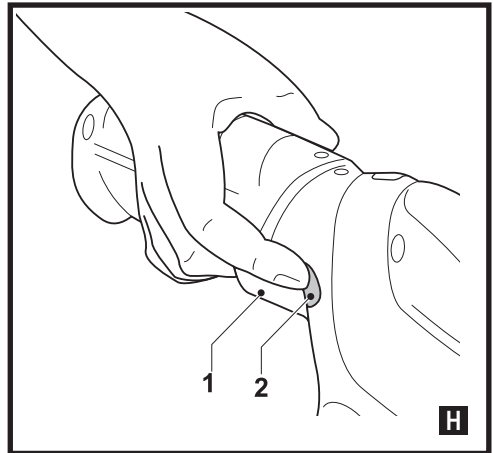
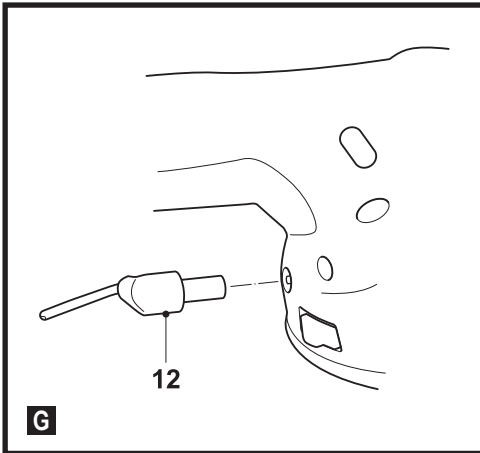
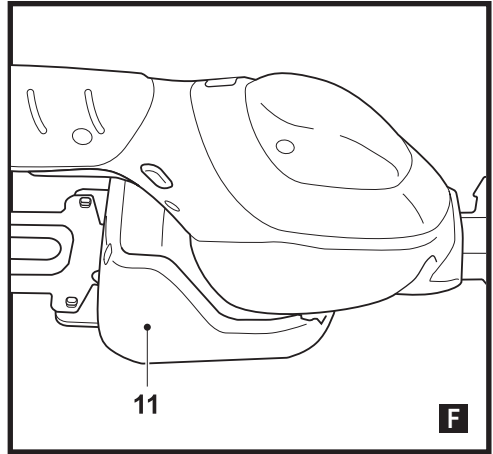
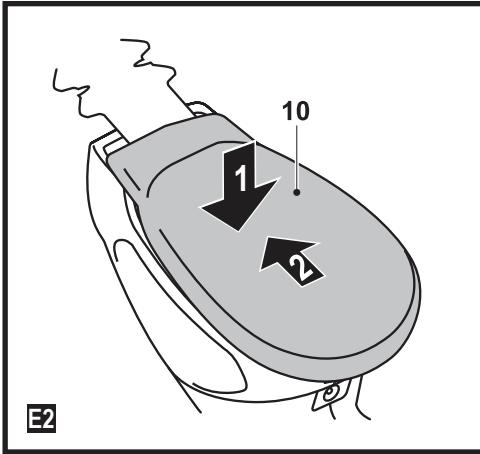


[www.blackanddecker.co.uk](http://www.blackanddecker.co.uk)

**GSL200**  
**GSL300**  
**GSL700**

<b>English</b> ( <i>original instructions</i> )	5
<b>Deutsch</b> ( <i>übersetzt von den originalanweisungen</i> )	12
<b>Français</b> ( <i>traduction de la notice d'instructions originale</i> )	20
<b>Italiano</b> ( <i>tradotto dalle istruzioni originali</i> )	28
<b>Nederlands</b> ( <i>vertaald vanuit de originele instructies</i> )	36
<b>Español</b> ( <i>traducido de las instrucciones originales</i> )	44
<b>Português</b> ( <i>traduzido das instruções originais</i> )	52
<b>Svenska</b> ( <i>översatt från de ursprungliga instruktionerna</i> )	60
<b>Norsk</b> ( <i>oversatt fra de originale instruksjonene</i> )	67
<b>Dansk</b> ( <i>oversat fra original brugsvejledning</i> )	74
<b>Suomi</b> ( <i>käännetty alkuperäisestä käyttöohjeesta</i> )	81
<b>Ελληνικά</b> ( <i>μετάφραση από τις πρωτότυπες οδηγίες</i> )	88





## Intended use

Your BLACK+DECKER™ GSL200, GSL300, GSL700 shear/trimmer has been designed for trimming grass, hedges, shrubs and brambles. This tool is intended for consumer use only.

Your BLACK+DECKER charger has been designed for charging BLACK+DECKER batteries of the type supplied with this tool.

## Safety instructions

### General power tool safety warnings



**Warning!** Read all safety warnings, instructions, illustrations and specifications provided with this power tool. Failure to follow all instructions listed below may result in electric shock, fire and/or serious injury.

### Save all warnings and instructions for future reference.

The term "power tool" in all of the warnings listed below refers to your mains operated (corded) power tool or battery operated (cordless) power tool.

1. **Work area safety**
    - a. **Keep work area clean and well lit.** Cluttered or dark areas invite accidents.
    - b. **Do not operate power tools in explosive atmospheres, such as in the presence of flammable liquids, gases or dust.** Power tools create sparks which may ignite the dust or fumes.
    - c. **Keep children and bystanders away while operating a power tool.** Distractions can cause you to lose control.
  2. **Electrical safety**
    - a. **Power tool plugs must match the outlet. Never modify the plug in any way. Do not use any adapter plugs with earthed (grounded) power tools.** Unmodified plugs and matching outlets will reduce risk of electric shock.
    - b. **Avoid body contact with earthed or grounded surfaces such as pipes, radiators, ranges and refrigerators.** There is an increased risk of electric shock if your body is earthed or grounded.
    - c. **Do not expose power tools to rain or wet conditions.** Water entering a power tool will increase the risk of electric shock.
    - d. **Do not abuse the cord. Never use the cord for carrying, pulling or unplugging the power tool. Keep cord away from heat, oil, sharp edges or moving parts.** Damaged or entangled cords increase the risk of electric shock.
  - e. **When operating a power tool outdoors, use an extension cord suitable for outdoor use.** Use of a cord suitable for outdoor use reduces the risk of electric shock.
  - f. **If operating a power tool in a damp location is unavoidable, use a residual current device (RCD) protected supply.** Use of an RCD reduces the risk of electric shock.
3. **Personal safety**
    - a. **Stay alert, watch what you are doing and use common sense when operating a power tool. Do not use a power tool while you are tired or under the influence of drugs, alcohol or medication.** A moment of inattention while operating power tools may result in serious personal injury.
    - b. **Use personal protective equipment. Always wear eye protection.** Protective equipment such as dust mask, non-skid safety shoes, hard hat, or hearing protection used for appropriate conditions will reduce personal injuries.
    - c. **Prevent unintentional starting. Ensure the switch is in the off-position before connecting to power source and/or battery pack, picking up or carrying the tool.** Carrying power tools with your finger on the switch or energising power tools that have the switch on invites accidents.
    - d. **Remove any adjusting key or wrench before turning the power tool on.** A wrench or a key left attached to a rotating part of the power tool may result in personal injury.
    - e. **Do not overreach. Keep proper footing and balance at all times.** This enables better control of the power tool in unexpected situations.
    - f. **Dress properly. Do not wear loose clothing or jewellery. Keep your hair, clothing and gloves away from moving parts.** Loose clothes, jewellery or long hair can be caught in moving parts.
    - g. **If devices are provided for the connection of dust extraction and collection facilities, ensure these are connected and properly used.** Use of dust collection can reduce dust-related hazards.
    - h. **Do not let familiarity gained from frequent use of tools allow you to become complacent and ignore tool safety principles.** A careless action can cause severe injury within a fraction of a second.
  4. **Power tool use and care**
    - a. **Do not force the power tool. Use the correct power tool for your application.** The correct power tool will do the job better and safer at the rate for which it was designed.
    - b. **Do not use the power tool if the switch does not turn it on and off.** Any power tool that cannot be controlled with the switch is dangerous and must be repaired.

- c. **Disconnect the plug from the power source and/or the battery pack from the power tool before making any adjustments, changing accessories, or storing power tools.** Such preventive safety measures reduce the risk of starting the power tool accidentally.
- d. **Store idle power tools out of the reach of children and do not allow persons unfamiliar with the power tool or these instructions to operate the power tool.** Power tools are dangerous in the hands of untrained users.
- e. **Maintain power tools. Check for misalignment or binding of moving parts, breakage of parts and any other condition that may affect the power tools operation. If damaged, have the power tool repaired before use.** Many accidents are caused by poorly maintained power tools.
- f. **Keep cutting tools sharp and clean.** Properly maintained cutting tools with sharp cutting edges are less likely to bind and are easier to control.
- g. **Use the power tool, accessories and tool bits etc. in accordance with these instructions, taking into account the working conditions and the work to be performed.** Use of the power tool for operations different from those intended could result in a hazardous situation.
- h. **Keep handles and grasping surfaces dry, clean and free from oil and grease.** Slippery handles and grasping surfaces do not allow for safe handling and control of the tool in unexpected situations.
5. **Battery tool use and care**
- a. **Recharge only with the charger specified by the manufacturer.** A charger that is suitable for one type of battery pack may create a risk of fire when used with another battery pack.
- b. **Use power tools only with specifically designated battery packs.** Use of any other battery packs may create a risk of injury and fire.
- c. **When battery pack is not in use, keep it away from other metal objects, like paper clips, coins, keys, nails, screws, or other small metal objects, that can make a connection from one terminal to another.** Shorting the battery terminals together may cause burns or a fire.
- d. **Under abusive conditions, liquid may be ejected from the battery; avoid contact. If contact accidentally occurs, flush with water. If liquid contacts eyes, additionally seek medical help.** Liquid ejected from the battery may cause irritation or burns.
- e. **Do not use a battery pack or tool that is damaged or modified.** Damaged or modified batteries may exhibit unpredictable behaviour resulting in fire, explosion or risk of injury.
- f. **Do not expose a battery pack or tool to fire or excessive temperature.** Exposure to fire or temperature above 130 °C may cause explosion.
- g. **Follow all charging instructions and do not charge the battery pack or tool outside the temperature range specified in the instructions.** Charging improperly or at temperatures outside the specified range may damage the battery and increase the risk of fire.
6. **Service**
- a. **Have your power tool serviced by a qualified repair person using only identical replacement parts.** This will ensure that the safety of the power tool is maintained.
- b. **Never service damaged battery packs.** Service of battery packs should only be performed by the manufacturer or authorised service providers.

### Additional power tool safety warnings



**Warning!** Additional safety warnings for hedge trimmers

- ◆ **Keep all parts of the body away from the cutter blade. Do not remove cut material or hold material to be cut when blades are moving. Make sure the switch is off when clearing jammed material.** A moment of inattention while operating the hedge trimmer may result in serious personal injury.
- ◆ **Carry the hedge trimmer by the handle with the cutter blade stopped. When transporting or storing the hedge trimmer always fit the cutting device cover.** Proper handling of the hedge trimmer will reduce possible personal injury from the cutter blades.
- ◆ **When transporting or storing the hedge trimmer, always fit the blade cover.** Proper handling of the hedge trimmer will decrease the risk of personal injury from the blades.
- ◆ **When clearing jammed material or servicing the unit, make sure all power switches are off and the power cord is disconnected.** Unexpected actuation of the hedge trimmer while clearing jammed material or servicing may result in serious personal injury.
- ◆ **Hold the hedge trimmer by insulated gripping surfaces only, because the blade may contact hidden wiring or its own cord.** Blades contacting a "live" wire may make exposed metal parts of the hedge trimmer "live" and could give the operator an electric shock.
- ◆ **Keep all power cords and cables away from cutting area.** Power cords or cables may be hidden in hedges or bushes and can be accidentally cut by the blade.
- ◆ **Do not use the hedge trimmer in bad weather conditions, especially when there is a risk of lightning.** This decreases the risk of being struck by lightning.
- ◆ **The intended use is described in this instruction manual.**

The use of any accessory or attachment or performance of any operation with this tool other than those recommended in this instruction manual may present a risk of personal injury and/or damage to property.

- ◆ If you have not used a hedge trimmer before, preferably seek practical instruction by an experienced user in addition to studying this manual.
- ◆ Never touch the blades while the tool is running.
- ◆ Never attempt to force the blades to come to a standstill.
- ◆ Do not put the tool down until the blades have come to a complete standstill.
- ◆ Regularly check the blades for damage and wear. Do not use the tool when the blades are damaged.
- ◆ Take care to avoid hard objects (e.g. metal wire, railings) when trimming.  
Should you accidentally hit any such object, immediately switch the tool off and check for any damage.
- ◆ Should the tool start to vibrate abnormally, immediately switch it off and check for any damage.
- ◆ If the tool stalls, immediately switch it off.
- ◆ After use, place the blade sheath supplied over the blades. Store the tool, making sure that the blade is not exposed.
- ◆ Always ensure that all guards are fitted when using the tool. Never attempt to use an incomplete tool or a tool with unauthorised modifications.
- ◆ Never allow children to use the tool.
- ◆ Be aware of falling debris when cutting the higher slides of a hedge.

### Grass shears safety warnings:

- ◆ **Do not use the grass shear in bad weather conditions, especially when there is a risk of lightning.** This decreases the risk of being struck by lightning.
- ◆ **Keep all power cords and cables away from cutting area.** Power cords or cables may be hidden and can be accidentally cut by the blade.
- ◆ **Wear ear protection.** Adequate protective equipment will reduce the risk of hearing loss.
- ◆ **Hold the grass shear by insulated gripping surfaces only, because the blade may contact hidden wiring.** Blades contacting a "live" wire may make exposed metal parts of the grass shear "live" and could give the operator an electric shock.
- ◆ **Keep all parts of the body away from the blade. Do not remove cut material or hold material to be cut when blades are moving. Blades continue to move after the switch is turned off.** A moment of inattention while operating the grass shear may result in serious personal injury.
- ◆ **When clearing jammed material or servicing the grass shear, make sure the power switch is off and the lock-off is in the locked position.**

Unexpected actuation of the grass shear while clearing jammed material or servicing may result in serious personal injury.

- ◆ **Carry the grass shear by the handle with the blade stopped and taking care not to operate the power switch.** Proper carrying of the grass shear will decrease the risk of inadvertent starting and resultant personal injury from the blades.
- ◆ **When transporting or storing the grass shear, always use the blade cover.** Proper handling of the grass shear will decrease the risk of personal injury from the blades.

### Additional power tool safety warnings



**Warning!** Additional safety warnings for shears

- ◆ Never allow people unfamiliar with these instructions or children to use the machine. Local regulations can restrict the age of the operator.
- ◆ Keep in mind that the operator or user is responsible for accidents or hazards occurring to other people or their property.
- ◆ Never operate the machine while people, especially children, or pets are nearby.
- ◆ Use the machine only in daylight or good artificial light.
- ◆ Always ensure that the ventilation openings are kept clear of debris.
- ◆ Use only the manufacturer's recommended replacement parts and accessories.
- ◆ Inspect and maintain the machine regularly. Have the machine repaired only by an authorized repairer.

### Safety of others

- ◆ This appliance can be used by children aged from 8 years and above and persons with reduced physical, sensory or mental capabilities or lack of experience and knowledge if they have been given supervision or instruction concerning use of the appliance in a safe way and understand the hazards involved.
- ◆ Children shall not play with the appliance. Cleaning and user maintenance shall not be made by children without supervision.

### Vibration

The declared vibration emission values stated in the technical data and the declaration of conformity have been measured in accordance with a standard test method provided by EN 62841 and may be used for comparing one tool with another.

The declared vibration emission value may also be used in a preliminary assessment of exposure.

**Warning!** The vibration emission value during actual use of the power tool can differ from the declared value depending on the ways in which the tool is used. The vibration level may increase above the level stated.

When assessing vibration exposure to determine safety measures required by 2002/44/EC to protect persons regularly using power tools in employment, an estimation of vibration exposure should consider, the actual conditions of use and the way the tool is used, including taking account of all parts of the operating cycle such as the times when the tool is switched off and when it is running idle in addition to the trigger time.

### Labels on tool

The following pictograms along with the date code are shown on the tool:



**Warning!** To reduce the risk of injury, the user must read the instruction manual.



Wear safety glasses or goggles when operating this tool.



Do not expose the tool to rain or high humidity.



Beware of sharp blades. Blades continue to move after the motor is switched off.



Beware of flying objects. Keep bystanders away.



**Danger!** Keep hands away from blade



Class III appliance.



Directive 2000/14/EC guaranteed sound power.

- ◆ When disposing of batteries, follow the instructions given in the section "Protecting the environment".
- ◆ Do not damage/deform the battery either by puncture or impact, as this may create a risk of injury and fire.
- ◆ Do not charge damaged batteries.
- ◆ Under extreme conditions, battery leakage may occur. When you notice liquid on the batteries carefully wipe the liquid off using a cloth. Avoid skin contact.
- ◆ In case of skin or eye contact, follow the instructions below.

**Warning!** The battery fluid may cause personal injury or damage to property. In case of skin contact, immediately rinse with water. If redness, pain or irritation occurs seek medical attention. In case of eye contact, rinse immediately with clean water and seek medical attention.

### Chargers

Your charger has been designed for a specific voltage. Always check that the mains voltage corresponds to the voltage on the rating plate.

**Warning!** Never attempt to replace the charger unit with a regular mains plug.

- ◆ Use your BLACK+DECKER charger only to charge the battery in the tool with which it was supplied. Other batteries could burst, causing personal injury and damage.
- ◆ Never attempt to charge non-rechargeable batteries.
- ◆ If the supply cord is damaged, it must be replaced by the manufacturer or an authorised BLACK+DECKER Service Centre in order to avoid a hazard.
- ◆ Do not expose the charger to water.
- ◆ Do not open the charger.
- ◆ Do not probe the charger.
- ◆ The appliance/tool/battery must be placed in a well ventilated area when charging.



The charger is intended for indoor use only.



Read the instruction manual before use.

### Additional safety instructions for batteries and chargers

#### Batteries

- ◆ Never attempt to open for any reason.
- ◆ Do not expose the battery to water.
- ◆ Do not store in locations where the temperature may exceed 40 °C.
- ◆ Charge only at ambient temperatures between 10 °C and 40 °C.
- ◆ Charge only using the charger provided with the appliance/tool. Using the wrong charger could result in an electric shock or overheating of the battery.

#### Electrical safety



Your charger is double insulated; therefore no earth wire is required. Always check that the mains voltage corresponds to the voltage on the rating plate.

- ◆ If the supply cord is damaged, it must be replaced by the manufacturer or an authorised BLACK+DECKER Service Centre in order to avoid a hazard.

**Warning!** Never attempt to replace the charger unit with a regular mains plug.



## Features

1. On/off switch
2. Lock-off button
3. Blade release button
4. Shear blade (GSL200/GSL700)
5. Trim blade (GSL300/GSL700)
6. Charging indicator

## Assembly

**Warning!** Avoid accidentally switching the tool on during assembly.

### Fitting the wall mount to the wall (fig. A & B)

The wall mount can be fitted to the wall to provide a convenient storage and charging point for the tool.

- ◆ Drive the screws in the wall through the holes in the crevices of wall mount.
- ◆ Place the tool on the wall mount.
- ◆ Plug in the charger making sure the charging indicator (6) lights up (fig. A).
- ◆ If required, use the two pegs (7) below the wall mount to store the spare blade (fig. B).

**Warning!** Avoid damaging the power cord when mounting the wall mount to the wall.

### Removing the charger plug from the wall mount (fig. C)

The tool can be charged without using the wall mount. The charger plug can be connected to the tool directly.

- ◆ Remove the screws from the back of the wall mount.
- ◆ Slide the back part (8) from the front part (9) to open the wall mount.
- ◆ Remove the charger plug from the wall mount.

### Fitting and removing the blade (fig. D & E)

The shear blade (4) has been designed for trimming grass and weeds. The trim blade (5) has been designed for trimming hedges and shrubs.

- ◆ Remove the blade cover.
- ◆ Push and hold the blade release button (3) in the direction of the arrow (fig. D1).
- ◆ Slide the blade cover (10) backward and lift off (fig. D2).
- ◆ Lower the blade onto the pins.
- ◆ While holding the blade onto the pins (fig. E1), replace the blade cover (10) and slide it forward (fig. E2).

**Note:** No alignment of blade with drive pin is required and operation of the blade cover release button is not required when re-fitting the blade cover.

## Use

**Warning!** Let the tool work at its own pace. Do not overload.

## Charging the battery

The battery needs to be charged before first use and whenever it fails to produce sufficient power on jobs that were easily done before. When charging the battery for the first time, or after prolonged storage, it will only accept an 80% charge. After several charge and discharge cycles, the battery will attain full capacity. The battery may become warm while charging; this is normal and does not indicate a problem.

**Warning!** Do not charge the battery at ambient temperatures below 10 °C or above 40 °C. Recommended charging temperature: approx. 24 °C.

The tool can be left connected to the charger indefinitely.

To maximise the lifetime of the battery, it is recommended to keep the battery connected to the charger whenever the tool is not in use. When the battery is full, the power consumption of the charger is negligible.

### Charging with the wall mount (fig. F)

- ◆ Place the tool on the wall mount (11).
- ◆ Plug in the charger.

### Charging with the charger plug (fig. G)

The charger plug is designed with lock outs to prevent the use of an incorrect charger.

- ◆ Insert the charger plug (12) into the charger connector at the rear of the tool.
- ◆ Plug in the charger.

### GSL700 - Charging the battery

- ◆ Charge the battery.

When the battery is charging the charging indicator (6) flashes. The charging indicator will stop flashing when the charging is complete.

### GSL200/GSL300 - Charging the battery

- ◆ Charge the battery.

When the battery is charging the charging indicator (6) flashes. The charging indicator will stop flashing when the charging is complete. The charging indicator flashes quickly to indicate a charging problem. When a charging problem occurs, connect the tool directly to the charger plug by removing the wall mount. If the charging problem still occurs, the charger must be disconnected from the mains supply and taken to an authorised service centre for repair.

## Switching on and off (fig. H)

### Switching on

- ◆ Push and hold the lock button (2) to the right or to the left and then squeeze the on/off switch (1).
- ◆ Release the lock-off button.

**Switching off**

- ◆ Release the on/off switch (1).

**Warning!** Never attempt to lock the switch in the on position.

**Hints for optimum use (fig. I & J)**

- ◆ Spray the blade with a light coating of light general use oil before first use and whenever the blades begin to look dry.

**Trimming grass**

- ◆ In order to achieve optimum cutting results, only cut dry grass.
- ◆ Hold the tool as shown in fig. I. Keep your other hand well away from the blade. Maintain a stable working position so that you do not slip. Do not overreach.
- ◆ When cutting long grass, work in stages from the top. Take small cuts.
- ◆ Keep the tool away from hard objects and delicate plants.
- ◆ If the tool starts running slowly, reduce the load.
- ◆ To make a closer cut, slightly tilt the tool.

**Trimming hedges**

- ◆ Slightly tilt the tool (up to 15° relative to the line of cut) so that the blade tips point slightly towards the hedge (fig. J). This will cause the blades to cut more effectively.
- ◆ Start by trimming the top of the hedge. Hold the tool at the desired angle and move it steadily along the line of cut. The double-sided blade allows you to cut in either direction.
- ◆ In order to obtain a very straight cut, stretch a piece of string along the length of the hedge at the desired height. Use the string as a guideline, cutting just above it.
- ◆ In order to obtain flat sides, cut upwards with the growth. Younger stems move outwards when the blade cuts downwards, causing shallow patches in the hedge.
- ◆ Take care to avoid any foreign objects. Especially avoid hard objects such as metal wire and railings, as these could damage the blades.
- ◆ Regularly oil the blades.

**Guidelines for trimming (UK & Ireland)**

- ◆ Trim hedges and shrubs with seasonal leaves (new leaves every year) in June and October.
- ◆ Trim evergreens in April and August.
- ◆ Trim conifers and other fast growing shrubs every six weeks from May until October.

**Guidelines for trimming (Australia & New Zealand)**

- ◆ Trim hedges and shrubs with seasonal leaves (new leaves every year) in December and March.
- ◆ Trim evergreens in September and February.
- ◆ Trim conifers and other fast growing shrubs every six weeks from October until March.

**Maintenance**

Your BLACK+DECKER corded/cordless appliance/tool has been designed to operate over a long period of time with a minimum of maintenance. Continuous satisfactory operation depends upon proper tool care and regular cleaning.

**Warning!** Before performing any maintenance on corded/cordless power tools:

- ◆ Switch off and unplug the appliance/tool.
- ◆ Or switch off and remove the battery from the appliance/tool if the appliance/tool has a separate battery pack.
- ◆ Or run the battery down completely if it is integral and then switch off.
- ◆ Unplug the charger before cleaning it. Your charger does not require any maintenance apart from regular cleaning.
- ◆ Regularly clean the ventilation slots in your appliance/tool/charger using a soft brush or dry cloth.
- ◆ Regularly clean the motor housing using a damp cloth. Do not use any abrasive or solvent-based cleaner.
- ◆ Regularly open the chuck and tap it to remove any dust from the interior (when fitted).
- ◆ After use, carefully clean the blades. After cleaning, apply a film of light machine oil to prevent the blades from rusting.

**Storage**

When the tool will not be used for several months, ideally leave the battery connected to the charger. Otherwise proceed as follows:

- ◆ Fully charge the battery.
- ◆ Store the tool in a secure and dry location. The storage temperature must always remain in the range of +10 °C to +40 °C.
- ◆ Before using the tool after prolonged storage, fully charge the battery again.

**Protecting the environment**

Separate collection. Products and batteries marked with this symbol must not be disposed of with normal household waste.

Products and batteries contain materials that can be recovered or recycled reducing the demand for raw materials. Please recycle electrical products and batteries according to local provisions. Further information is available at [www.2helpU.com](http://www.2helpU.com)

## Technical data

		GSL200	GSL300	GSL700
Voltage	$V_{DC}$	3.6	3.6	7.0
Blade strokes (no load)	$\text{min}^{-1}$	850	850	850
Blade length (shear)	cm	10	-	10
Blade gap (shear)	mm	23	-	23
Blade length (trimmer)	cm	-	15	15
Blade gap (trimmer)	mm	-	8	8
Blade brake time	s	< 1	< 1	< 1
Weight	kg	0.65	0.65	0.65

Charger		
Input voltage	$V_{AC}$	230
Output voltage	$V_{DC}$	15V
Current	mA	150mA
Approx. charging time	h	10h
Weight	kg	0.15

Level of sound pressure according to EN 62841:	
Sound pressure ( $L_{pA}$ )	75 dB(A), uncertainty (K) 3 dB(A)
Sound power ( $L_{WA}$ )	84 dB(A), uncertainty (K) 3 dB(A)

Vibration total values (triax vector sum) according to EN 62841:	
$(a_v)$	2.5 $\text{m/s}^2$ , uncertainty (K) 1.5 $\text{m/s}^2$

**MACHINERY DIRECTIVE  
OUTDOOR NOISE DIRECTIVE**



GSL200, GSL300, GSL700 - Shear/Trimmer

Black & Decker declares that these products described under "technical data" are in compliance with:

2006/42/EC and EN 62841-1:2015 + A11:2022,  
EN 62841-4-2:2019, EN IEC 62841-4-5:2021+A11:2021

Level of acoustic power according to 2000/14/EC  
(Article 13, Annex III):

$L_{WA}$  (measured sound power) 84 dB(A)  
Uncertainty = 3dB(A)

$L_{WA}$  (guaranteed sound power) 87 dB(A)

These products also comply with Directive 2014/30/EU and  
2011/65/EU.

For more information, please contact Black & Decker at the  
following address or refer to the back of the manual.

The undersigned is responsible for compilation of the technical  
file and makes this declaration on behalf of Black & Decker.

*Patrick Diepenbach*

Patrick Diepenbach  
General Manager, Benelux  
Black & Decker,  
Egide Walschaertsstraat 14-18  
2800 Mechelen, Belgium  
2022-08-03

**Supply of Machinery (Safety)  
Regulations 2008**



GSL200, GSL300, GSL700 - Shear/Trimmer

Black & Decker declares that these products described under  
"technical data" are in compliance with:

The Supply of Machinery (Safety) Regulations, 2008, S.I.  
2008/1597 (as amended),  
EN 62841-1:2015 + A11:2022, EN 62841-4-2:2019, EN IEC  
62841-4-5:2021+A11:2021

The Noise Emission in the Environment by Equipment for use  
Outdoors Regulations 2001, S.I. 2001/1701 (as amended).  
Schedule 8.

LWA (measured sound power level) 84 dB(A), uncertainty (K)  
= 3,0 dB (A),

LWA (guaranteed sound power) 87 dB(A).

These products conform to the following UK Regulations:  
Electromagnetic Compatibility Regulations, 2016,  
S.I.2016/1091 (as amended).

The Restriction of the Use of Certain Hazardous Substances  
in Electrical and Electronic Equipment Regulations 2012, S.I.  
2012/3032 (as amended).

For more information, please contact Black & Decker at the  
following address or refer to the back of the manual.

The undersigned is responsible for compilation of the technical  
file and makes this declaration on behalf of

Black & Decker

*Paul Featherstone*

Paul Featherstone  
Director - Consumer Power Tools  
Black & Decker UK, 270 Bath Road, Slough  
Berkshire, SL1 4DX  
United Kingdom  
2022-08-03

## Garantie

Black & Decker is confident of the quality of its products and offers consumers a 24 month guarantee from the date of purchase. This guarantee is in addition to and in no way prejudices your statutory rights. The guarantee is valid within the territories of the Member States of the European Union and the European Free Trade Area and the United Kingdom. To claim on the guarantee, the claim must be in accordance with Black&Decker Terms and Conditions and you will need to submit proof of purchase to the seller or an authorised repair agent. Terms and conditions of the Black&Decker 2 year guarantee and the location of your nearest authorised repair agent can be obtained on the Internet at [www.2helpU.com](http://www.2helpU.com), or by contacting your local Black & Decker office at the address indicated in this manual.

Please visit our website [www.blackanddecker.co.uk](http://www.blackanddecker.co.uk) to register your new Black & Decker product and receive updates on new products and special offers.

## Verwendungszweck

Ihre BLACK+DECKER™ Heckenschere/Ihr Trimmer GSL200, GSL300, GSL700 wurde zum Trimmen von Gras, Hecken, Sträuchern und Gestrüpp entwickelt. Dieses Gerät ist nicht für den gewerblichen Einsatz vorgesehen.

Ihr BLACK+DECKER Ladegerät dient zum Laden von BLACK+DECKER Akkus des Typs, der im Lieferumfang dieses Geräts enthalten ist.

## Sicherheitshinweise

### Allgemeine Sicherheitswarnungen für das Gerät



**Warnung! Beachten Sie alle Sicherheitshinweise, Anweisungen, Darstellungen und Daten, die Sie mit dem Gerät erhalten.** Wenn Sie die folgenden Anweisungen nicht beachten, kann es zu elektrischem Schlag, Feuer und/oder schweren Verletzungen kommen.

### Bewahren Sie alle Warnhinweise und alle Anweisungen gut auf.

Der nachfolgend verwendete Begriff „Gerät“ bezieht sich auf netzbetriebene Geräte (mit Netzkabel) und auf akkubetriebene Geräte (ohne Netzkabel).

## 1. Sicherheit im Arbeitsbereich

- a. **Halten Sie Ihren Arbeitsbereich sauber und gut ausgeleuchtet.** Unaufgeräumte oder dunkle Bereiche begünstigen Unfälle.
- b. **Betreiben Sie das Gerät nicht in Umgebungen, in denen Explosionsgefahr z. B. aufgrund von brennbaren Flüssigkeiten, Gasen oder Staub besteht.** Geräte erzeugen Funken, die den Staub oder die Dämpfe entzünden können.
- c. **Halten Sie Kinder und andere Personen während der Benutzung eines Geräts fern.** Bei Ablenkung können Sie die Kontrolle verlieren.

## 2. Elektrische Sicherheit

- a. **Der Netzstecker des Geräts muss in die Steckdose passen. Ändern Sie niemals den Stecker in irgendeiner Form. Verwenden Sie keinerlei Adapterstecker an geerdeten Elektrogeräten.** Unveränderte Stecker und passende Steckdosen mindern die Gefahr eines elektrischen Schlages.
- b. **Vermeiden Sie Körperkontakt mit geerdeten Oberflächen von Rohren, Heizungen, Herden und Kühlschränken.** Es besteht eine erhöhte Gefahr für einen elektrischen Schlag, wenn Ihr Körper geerdet ist.
- c. **Halten Sie Geräte von Regen und Nässe fern.** Das Eindringen von Wasser in ein Gerät erhöht das Risiko eines elektrischen Schlags.
- d. **Verwenden Sie das Kabel ordnungsgemäß. Verwenden Sie es niemals zum Tragen. Trennen Sie das Gerät nicht durch Ziehen am Kabel vom Netz. Halten Sie das Kabel fern von Hitze, Öl, scharfen Kanten oder beweglichen Teilen.** Beschädigte oder verhedderte Kabel erhöhen die Gefahr eines elektrischen Schlages.
- e. **Verwenden Sie nur für den Außenbereich zugelassene Verlängerungskabel, wenn Sie mit dem Gerät im Freien arbeiten.** Die Verwendung eines für den Außenbereich geeigneten Verlängerungskabels verringert das Risiko eines elektrischen Schlags.
- f. **Wenn das Gerät in einer feuchten Umgebung verwendet werden muss, schließen Sie es unbedingt an eine Steckdose mit Fehlerstromschutzschalter (FI-Schalter) an.** Ein Fehlerstromschutzschalter verringert das Risiko eines elektrischen Schlags.

## 3. Sicherheit von Personen

- a. **Seien Sie aufmerksam, achten Sie darauf, was Sie tun, und gehen Sie sachgerecht mit einem Gerät um. Benutzen Sie kein Gerät, wenn Sie müde sind oder unter dem Einfluss von Drogen, Alkohol oder Medikamenten stehen.** Ein Moment der Unachtsamkeit beim Betrieb eines Geräts kann zu schweren Verletzungen führen.
- b. **Verwenden Sie eine geeignete Schutzausrüstung. Tragen Sie immer einen Augenschutz.**

- Das Tragen persönlicher Schutzausrüstung, wie Staubmaske, rutschfeste Sicherheitsschuhe, Schutzhelm oder Gehörschutz, je nach Art und Einsatz des Geräts, verringert das Risiko von Verletzungen.
- c. **Vermeiden Sie eine unbeabsichtigte Inbetriebnahme. Vergewissern Sie sich, dass das Gerät ausgeschaltet ist, bevor Sie es an eine Steckdose oder einen Akku anschließen, es hochheben oder tragen.** Wenn Sie beim Tragen des Geräts den Finger am Schalter haben oder das Gerät eingeschaltet an die Stromversorgung anschließen, kann dies zu Unfällen führen.
  - d. **Entfernen Sie Einstell- oder Schraubenschlüssel, bevor Sie das Gerät einschalten.** Werkzeuge oder Schlüssel, die an rotierenden Teilen des Geräts angebracht sind, können zu Verletzungen führen.
  - e. **Beugen Sie sich nicht zu weit nach vorne. Sorgen Sie für einen sicheren Stand und halten Sie jederzeit das Gleichgewicht.** Dadurch können Sie das Gerät in unerwarteten Situationen besser kontrollieren.
  - f. **Tragen Sie geeignete Kleidung. Tragen Sie keine weite Kleidung und keinen Schmuck. Halten Sie Ihre Haare, Kleidung und Handschuhe von beweglichen Teilen fern.** Lose sitzende Kleidung, Schmuck oder lange Haare können sich in den beweglichen Teilen verfangen.
  - g. **Falls Vorrichtungen zum Absaugen oder Auffangen von Staub vorhanden sind, vergewissern Sie sich, dass diese angeschlossen sind und richtig verwendet werden.** Das Verwenden einer Staubauffangvorrichtung verringert Gefährdungen durch Staub.
  - h. **Vermeiden Sie, durch die häufige Nutzung des Werkzeugs in einen Trott zu verfallen und Prinzipien für die Werkzeugsicherheit zu ignorieren.** Eine unachtsame Aktion kann im Bruchteil einer Sekunde zu schweren Verletzungen führen.
4. **Gebrauch und Pflege von Geräten**
    - a. **Überlasten Sie das Gerät nicht. Verwenden Sie das für Ihre Arbeit passende Gerät.** Das richtige Gerät wird die Aufgabe besser und sicherer erledigen, wenn es bestimmungsgemäß verwendet wird.
    - b. **Verwenden Sie das Gerät nicht, wenn der Ein-/Ausschalter nicht funktioniert.** Ein Gerät, das sich nicht mehr ein- oder ausschalten lässt, ist gefährlich und muss repariert werden.
    - c. **Ziehen Sie den Stecker aus der Steckdose, oder trennen Sie das Gerät vom Akku, bevor Sie Einstellungen vornehmen, Zubehörteile wechseln oder das Gerät lagern.** Diese Vorbeugemaßnahmen mindern die Gefahr, dass das Elektrogerät unbeabsichtigt startet.
    - d. **Bewahren Sie unbenutzte Geräte außerhalb der Reichweite von Kindern auf. Lassen Sie Geräte nicht von Personen benutzen, die damit nicht vertraut sind oder diese Anweisungen nicht gelesen haben.** Geräte sind in den Händen nicht geschulter Personen gefährlich.
    - e. **Halten Sie das Gerät in einem einwandfreien Zustand. Kontrollieren Sie, ob bewegliche Teile falsch ausgerichtet sind oder klemmen und ob Teile gebrochen oder so beschädigt sind, dass die Funktion des Geräts beeinträchtigt ist. Bei Beschädigungen lassen Sie das Gerät reparieren, bevor Sie es verwenden.** Viele Unfälle entstehen wegen mangelnder Wartung der Geräte.
    - f. **Halten Sie Schneidgeräte scharf und sauber.** Richtig gewartete Schneidwerkzeuge mit scharfen Klingen blockieren seltener und sind leichter unter Kontrolle zu halten.
    - g. **Benutzen Sie Elektrowerkzeuge, Zubehör, Werkzeugspitzen und Ähnliches in Übereinstimmung mit diesen Anweisungen und auf die für das jeweilige Elektrowerkzeug bestimmungsgemäße Weise und beachten Sie dabei die jeweiligen Arbeitsbedingungen und die Art der auszuführenden Arbeiten.** Der Gebrauch von Geräten für andere als die vorgesehenen Zwecke kann zu gefährlichen Situationen führen.
    - h. **Halten Sie die Griffe trocken, sauber und frei von Öl und Fett.** Rutschige Griffe und Oberflächen unterbinden die sichere Bedienbarkeit und Kontrolle über das Werkzeug in unerwarteten Situationen.
  5. **Gebrauch und Pflege von Akkuwerkzeugen**
    - a. **Laden Sie den Akku nur mit dem vom Hersteller vorgesehenen Ladegerät auf.** Für ein Ladegerät, das nur für eine bestimmte Akkuart geeignet ist, besteht Brandgefahr, wenn es mit anderen Akkus verwendet wird.
    - b. **Verwenden Sie nur die für das jeweilige Gerät vorgesehenen Akkus.** Die Verwendung anderer Akkus kann zu Verletzungen oder Bränden führen.
    - c. **Bewahren Sie den Akku bei Nichtbenutzung nicht in der Nähe metallischer Objekte wie Büroklammern, Münzen, Schlüsseln, Nägeln oder Schrauben auf, da diese eine Verbindung zwischen beiden Polen des Akkus herstellen können.** Durch den dadurch entstehenden Kurzschluss kann der Akku in Brand geraten.
    - d. **Bei falscher Anwendung kann Flüssigkeit aus dem Akku austreten. Vermeiden Sie den Kontakt damit. Bei unbeabsichtigtem Kontakt mit Wasser abspülen. Gelangt die Flüssigkeit in die Augen, ziehen Sie außerdem ärztliche Hilfe hinzu. Austretende Akkufflüssigkeit kann zu Hautreizungen oder Verbrennungen führen.**
    - e. **Verwenden Sie keine Akkus oder Werkzeuge, die beschädigt sind oder modifiziert wurden.** Beschädigte oder modifizierte Akkus können sich unvorhersehbar verhalten und stellen ein Risiko von Feuer, Explosionen oder Verletzungen dar.

- f. **Setzen Sie Akkus und Werkzeuge keinem Feuer oder extremen Temperaturen aus.** Die Einwirkung von Feuer oder Temperaturen über 130°C kann zu Explosionen führen.
- g. **Befolgen Sie alle Anweisungen zum Aufladen und laden Sie den Akku oder das Werkzeug nicht jenseits des in der Anleitung angegebenen Temperaturbereichs auf.** Das falsche Aufladen oder das Aufladen bei Temperaturen jenseits des angegebenen Bereichs kann den Akku beschädigen und das Brandrisiko erhöhen.
6. **Service**
- a. **Lassen Sie Ihr Elektrowerkzeug nur von qualifiziertem Fachpersonal und nur mit Original-Ersatzteilen reparieren.** Damit wird sichergestellt, dass die Sicherheit des Geräts erhalten bleibt.
- b. **Führen Sie an beschädigten Akkus niemals Wartungsarbeiten durch.** Die Wartung von Akkus darf nur vom Hersteller oder von autorisierten Dienstleistern durchgeführt werden.

## Zusätzliche Sicherheitswarnungen für das Gerät



**Warnung!** Zusätzliche Sicherheitswarnungen für Heckenschere

- ◆ **Halten Sie alle Körperteile von den Messern fern. Versuchen Sie nicht, Schnittmaterial zu entfernen oder festzuhalten, wenn die Messer in Bewegung sind. Stellen Sie beim Entfernen von eingeklemmtem Material sicher, dass das Gerät ausgeschaltet ist.** Unachtsamkeit beim Gebrauch der Heckenschere kann zu ernsthaften Verletzungen führen.
- ◆ **Tragen Sie die Heckenschere stets mit angehaltenen Messern am Griff. Bringen Sie beim Transport bzw. bei der Lagerung der Heckenschere stets die Messerabdeckung an.** Der sachgemäße Umgang mit der Heckenschere verringert das Risiko von Verletzungen durch die Schnittmesser.
- ◆ **Bringen Sie beim Transport bzw. bei der Lagerung der Heckenschere stets die Klängenabdeckung an.** Der sachgemäße Umgang mit der Heckenschere verringert das Risiko von Verletzungen durch die Klängen.
- ◆ **Stellen Sie sicher, dass alle Stromschalter ausgeschaltet sind und das Stromkabel abgezogen wurde, wenn Sie eingeklemmtem Material beseitigen oder Wartungsarbeiten am Gerät durchführen wollen.** Eine unerwartete Betätigung der Heckenschere beim Entfernen von eingeklemmtem Material oder bei der Wartung kann zu schweren Verletzungen führen.
- ◆ **Halten Sie die Heckenschere ausschließlich an den isolierten Griffflächen, da das Messer mit verdeckten Kabeln oder dem Geräte kabel in Berührung kommen könnte.** Der Kontakt der Messer mit stromführenden Leitungen kann auch offen liegende Metallteile an der Heckenschere unter Strom setzen und zu einem Stromschlag führen.
- ◆ **Halten Sie alle Kabel vom Schneidbereich fern.** Kabel werden möglicherweise von Hecken oder Büschen verdeckt und können unbeabsichtigt beschädigt werden.
- ◆ **Verwenden Sie die Heckenschere nicht bei schlechtem Wetter, vor allem nicht, wenn das Risiko von Gewitter besteht.** Das verringert die Gefahr von Blitzeinschlägen.
- ◆ **Die bestimmungsgemäße Verwendung ist in dieser Betriebsanleitung beschrieben.** Die Verwendung von Zubehör- oder Anbauteilen, die nicht in dieser Anleitung empfohlen werden, sowie die Bedienung des Geräts in Abweichung von den in dieser Anleitung beschriebenen Verfahren können zu Verletzungen und/oder Sachschäden führen.
- ◆ Wenn Sie nicht bereits zuvor mit einer Heckenschere gearbeitet haben, sollten Sie sich zusätzlich zum Lesen dieser Anleitung von einem erfahrenen Benutzer in den Gebrauch einweisen lassen.
- ◆ Berühren Sie niemals die Klängen, wenn sich das Gerät in Betrieb befindet.
- ◆ Versuchen Sie nie, die Messer mit Gewalt zum Stillstand zu bringen.
- ◆ Setzen Sie das Gerät erst ab, nachdem die Messer vollständig zum Stillstand gekommen sind.
- ◆ Überprüfen Sie die Messer regelmäßig auf Beschädigungen und Abnutzung. Verwenden Sie das Gerät nicht, wenn die Messer beschädigt sind.
- ◆ Achten Sie bei der Arbeit auf harte Objekte (z. B. Metalldrähte oder Geländer). Wenn das Gerät versehentlich in Kontakt mit einem solchen Objekt kommt, schalten Sie es unverzüglich aus, und prüfen Sie das Gerät auf eventuelle Schäden.
- ◆ Schalten Sie das Gerät unverzüglich aus, wenn Sie ungewöhnliche Vibrationen bemerken, und prüfen Sie das Gerät auf eventuelle Schäden.
- ◆ Schalten Sie das Gerät unverzüglich aus, wenn es blockiert.
- ◆ Bringen Sie nach dem Gebrauch den mitgelieferten Messerschutz an. Lagern Sie das Gerät nicht mit ungeschützten Klängen.
- ◆ Stellen Sie bei Gebrauch stets sicher, dass alle Schutzvorrichtungen angebracht sind. Verwenden Sie auf keinen Fall ein unvollständiges Gerät bzw. ein Gerät, an dem unsachgemäße Änderungen vorgenommen wurden.
- ◆ Das Gerät darf auf keinen Fall von Kindern verwendet werden.

- ◆ Achten Sie beim Schneiden von höheren Heckenbereichen auf herabfallendes Schnittmaterial.

## Sicherheitswarnungen für

### Rasenkantenschere:

- ◆ **Verwenden Sie die Rasenkantenschere nicht bei schlechtem Wetter, vor allem nicht, wenn das Risiko von Gewitter besteht.** Das verringert die Gefahr von Blitzschlägen.
- ◆ **Halten Sie alle Kabel vom Schneidbereich fern.** Kabel werden möglicherweise verdeckt und können unbeabsichtigt beschädigt werden.
- ◆ **Tragen Sie Gehörschutz.** Angemessene Schutzausrüstung verringert das Risiko von Hörschäden.
- ◆ **Halten Sie die Rasenkantenschere ausschließlich an den isolierten Griffflächen, da das Messer mit verdeckten Kabeln in Berührung kommen könnte.** Der Kontakt der Messer mit stromführenden Leitungen kann auch offen liegende Metallteile an der Rasenkantenschere unter Strom setzen und zu einem Stromschlag führen.
- ◆ **Halten Sie alle Körperteile von den Messern fern. Versuchen Sie nicht, Schnittmaterial zu entfernen oder festzuhalten, wenn die Messer in Bewegung sind. Die Messer bewegen sich nach Abschalten des Schalters einige Sekunden lang weiter.** Unachtsamkeit beim Gebrauch der Rasenkantenschere kann zu ernsthaften Verletzungen führen.
- ◆ **Stellen Sie sicher, dass der Ein-/Ausschalter ausgeschaltet ist und der Verriegelungsknopf in der Verriegelungsposition steht, wenn Sie eingeklemmtes Material beseitigen oder Wartungsarbeiten an der Rasenkantenschere durchführen wollen.**  
Eine unerwartete Betätigung der Rasenkantenschere beim Entfernen von eingeklemmtem Material oder bei der Wartung kann zu schweren Verletzungen führen.
- ◆ **Tragen Sie die Rasenkantenschere nur am Griff und nur mit angehaltenem Messer und achten Sie darauf, dass Sie den Ein-/Ausschalter nicht betätigen.** Das sachgemäße Tragen der Rasenkantenschere verringert das Risiko von unbeabsichtigtem Starten und von Verletzungen durch die Messer.
- ◆ **Bringen Sie beim Transport bzw. bei der Lagerung der Rasenkantenschere stets die Messerabdeckung an.** Der sachgemäße Umgang mit der Rasenkantenschere verringert das Risiko von Verletzungen durch die Messer.

## Zusätzliche Sicherheitswarnungen für das Gerät



**Warnung!** Zusätzliche Sicherheitswarnungen für Scheren

- ◆ Das Gerät darf nicht von Kindern oder Personen, die die vorliegenden Anleitungen nicht gelesen haben, genutzt werden. Beachten Sie lokale Richtlinien, in denen unter Umständen ein Mindestalter für den Bediener festgelegt ist.
- ◆ Beachten Sie, dass der Bediener bzw. Benutzer für eventuelle Personen- oder Sachschäden verantwortlich ist.
- ◆ Es sollte stets ein Sicherheitsabstand zu anderen Personen, insbesondere Kindern, und Haustieren eingehalten werden.
- ◆ Betreiben Sie das Gerät nur bei Tageslicht oder bei ausreichender Beleuchtung.
- ◆ Stellen Sie stets sicher, dass die Lüftungsöffnungen frei von Verschmutzungen sind.
- ◆ Verwenden Sie nur vom Hersteller empfohlene Ersatz- und Zubehörteile.
- ◆ Kontrollieren und warten Sie das Gerät regelmäßig. Lassen Sie das Gerät nur in autorisierten Werkstätten reparieren.

## Sicherheit anderer Personen

- ◆ Dieses Gerät darf von Kindern ab 8 Jahren und Personen mit eingeschränkten körperlichen, sensorischen oder geistigen Fähigkeiten sowie mangelnder Erfahrung und Wissen in Bezug auf dessen Gebrauch bedient werden, wenn sie bei der Verwendung des Geräts beaufsichtigt oder angeleitet werden und die möglichen Gefahren verstehen.
- ◆ Kinder dürfen nicht mit dem Gerät spielen. Reinigung und Wartungsarbeiten dürfen von Kindern nur unter Aufsicht durchgeführt werden.

## Vibration

Die in den Abschnitten "Technische Daten" und "EG-Konformitätserklärung" angegebenen Werte für die Vibrationsemission wurden mit einer Standard-Prüfmethode nach EN 62841 ermittelt und können zum Vergleich verschiedener Geräte herangezogen werden. Außerdem kann mit Hilfe dieses Werts die Belastung bei Verwendung des Geräts schon im Voraus eingeschätzt werden.

**Warnung!** Die bei Verwendung des Geräts auftretende Vibrationsemission hängt von der Art des Gerätegebrauchs ab und kann dementsprechend von dem angegebenen Wert abweichen. Gegebenenfalls kann die Vibration über dem angegebenen Wert liegen.

Für die Ermittlung der Vibrationsbelastung müssen die tatsächlichen Einsatzbedingungen und Verwendungen des Geräts während des gesamten Arbeitsgangs berücksichtigt werden, einschließlich der Zeiten, wenn das Gerät nicht verwendet oder im Leerlauf betrieben wird.

Diese Werte werden benötigt, um die gemäß 2002/44/EG erforderlichen Sicherheitsmaßnahmen zum Schutz von Personen festlegen zu können.

## Etiketten am Werkzeug

Folgende Piktogramme sowie der Datumscode befinden sich auf dem Werkzeug:



**Warnung!** Lesen Sie vor Gebrauch die Anleitung. Andernfalls besteht Verletzungsgefahr.



Tragen Sie eine Schutzbrille, wenn Sie mit dem Gerät arbeiten.



Schützen Sie das Gerät vor Feuchtigkeit und Regen.



Vorsicht: Die Messer sind scharf. Die Messer bewegen sich nach Abschalten des Geräts einige Sekunden lang weiter.



Achten Sie auf Gegenstände, die eventuell umhergeschleudert werden. Halten Sie Zuschauer aus dem Gefahrenbereich fern.



**Gefahr!** Halten Sie Ihre Hände nicht in die Nähe des Sägeblatts



Gerät der Klasse III.



Garantierter Schalldruckpegel, gemessen nach Richtlinie 2000/14/EG.

## Zusätzliche Sicherheitshinweise für Akkus und Ladegeräte

### Akkus

- ◆ Keinesfalls versuchen, den Akku zu öffnen.
- ◆ Achten Sie darauf, dass der Akku nicht mit Wasser in Berührung kommt.
- ◆ Nicht bei Temperaturen über 40 °C lagern.
- ◆ Laden Sie den Akku nur bei Umgebungstemperaturen von 10 °C bis 40 °C auf.
- ◆ Verwenden Sie ausschließlich das mit dem Gerät gelieferte Ladegerät. Das Verwenden eines falschen Ladegeräts kann zu einem Stromschlag oder dem Überhitzen des Akkus führen.
- ◆ Beachten Sie zur Entsorgung von Akkus oder Batterien die Hinweise im Abschnitt „Umweltschutz“.
- ◆ Der Akku darf nicht durch mechanische Krafteinwirkung oder Belastungen beschädigt oder verformt werden. Andernfalls besteht Verletzungs- und Brandgefahr.
- ◆ Laden Sie beschädigte Akkus nicht auf.

- ◆ Unter extremen Bedingungen können Akkus undicht werden. Wenn Sie feststellen, dass aus dem Akku Flüssigkeit austritt, wischen Sie diese vorsichtig mit einem Tuch ab. Vermeiden Sie Hautkontakt.
- ◆ Beachten Sie nach Haut- oder Augenkontakt die folgenden Hinweise.

**Warnung!** Batteriesäure kann Sach- oder Personenschäden verursachen. Spülen Sie die Säure bei Hautkontakt sofort mit Wasser ab. Suchen Sie einen Arzt auf, wenn sich auf der Haut Rötungen, Reizungen oder andere Irritationen zeigen. Spülen Sie das Auge nach Augenkontakt sofort mit sauberem Wasser aus und suchen Sie einen Arzt auf.

### Ladegeräte

Das Ladegerät ist für eine bestimmte Spannung ausgelegt. Stellen Sie sicher, dass die Netzspannung der auf dem Typenschild des Geräts angegebenen Spannung entspricht.

**Warnung!** Ersetzen Sie das Ladegerät keinesfalls durch ein normales Netzkabel.

- ◆ Verwenden Sie das BLACK+DECKER-Ladegerät nur für den Akku des Werkzeugs, mit dem es geliefert wurde. Andere Akkus können platzen und Sachschäden oder Verletzungen verursachen.
- ◆ Versuchen Sie keinesfalls, nicht aufladbare Batterien zu laden.
- ◆ Bei einer Beschädigung des Netzkabels muss dieses durch den Hersteller oder eine BLACK+DECKER-Vertragswerkstatt ausgetauscht werden, um mögliche Gefahren zu vermeiden.
- ◆ Achten Sie darauf, dass das Ladegerät nicht mit Wasser in Berührung kommt.
- ◆ Versuchen Sie nicht, das Ladegerät zu öffnen.
- ◆ Nehmen Sie am Ladegerät keine Veränderungen vor.
- ◆ Beim Laden des Geräts/Werkzeugs/Akkus muss auf ausreichende Belüftung geachtet werden.



Das Ladegerät darf nur im Innenbereich verwendet werden.



Vor Gebrauch die Anleitung lesen.

### Elektrische Sicherheit



Das Ladegerät ist schutzisoliert, daher ist keine Erdleitung erforderlich. Stellen Sie sicher, dass die Netzspannung der auf dem Typenschild des Geräts angegebenen Spannung entspricht.

- ◆ Bei einer Beschädigung des Netzkabels muss dieses durch den Hersteller oder eine BLACK+DECKER-Vertragswerkstatt ausgetauscht werden, um mögliche Gefahren zu vermeiden.

**Warnung!** Ersetzen Sie das Ladegerät keinesfalls durch ein normales Netzkabel.



## Merkmale

1. Ein-/Aus-Schalter
2. Einschaltsperr
3. Entriegelungstaste für das Messer
4. Scherenmesser (GSL200/GSL700)
5. Trimmmesser (GSL300/GSL700)
6. Ladeanzeige

## Montage

**Warnung!** Vermeiden Sie versehentliches Einschalten des Werkzeugs während der Montage.

### Anbringen der Wandhalterung an der Wand (Abb. A & B)

Die Wandhalterung kann so an einer Wand angebracht werden, dass ein bequem erreichbarer Ort zum Aufbewahren und Laden des Werkzeugs zur Verfügung steht.

- ◆ Führen Sie die Schrauben in der Wand durch die Löcher in den Spalten der Wandhalterung.
- ◆ Setzen Sie das Gerät in die Wandhalterung.
- ◆ Schließen Sie das Ladegerät an eine Netzsteckdose an und achten Sie darauf, dass die Ladeanzeige (6) aufleuchtet (Abb. A).
- ◆ Benutzen Sie bei Bedarf die beiden Halter (7) unterhalb der Wandhalterung, um das Ersatzmesser aufzubewahren (Abb. B).

**Warnung!** Vermeiden Sie eine Beschädigung des Netzkabels, wenn Sie die Wandhalterung an der Wand befestigen.

### Entfernen des Ladegerätsteckers von der Wandhalterung (Abb. C)

Das Werkzeug kann auch ohne Verwendung der Wandhalterung aufgeladen werden. Der Ladegerätstecker kann direkt an das Gerät angeschlossen werden.

- ◆ Entfernen Sie die Schrauben von der Rückseite der Wandhalterung.
- ◆ Schieben Sie den hinteren Teil (8) vom vorderen Teil (9) weg, um die Wandhalterung zu öffnen.
- ◆ Entfernen Sie den Ladegerätstecker von der Wandhalterung.

### Einsetzen und Entfernen des Messers (Abb. D & E)

Das Rasenmesser (4) dient zum Trimmen von Gras. Das Trimmmesser (5) dient zum Trimmen von Hecken und Büschen.

- ◆ Nehmen Sie die Messerabdeckung ab.
- ◆ Drücken Sie die Messerentriegelungstaste (3) in Richtung des Pfeil (Abb. D1).
- ◆ Schieben Sie die Messerabdeckung (10) nach hinten, und heben Sie sie ab (Abb. D2).
- ◆ Setzen Sie das Messer auf die Stifte.

- ◆ Während Sie das Messer an den Stiften festhalten (Abb. E1), bringen Sie die Messerabdeckung (10) wieder an und schieben Sie sie nach vorne (Abb. E2).

**Hinweis:** Es ist keine Ausrichtung des Messers an dem Antriebsstift erforderlich und die Betätigung der Entriegelungstastes der Messerabdeckung ist nicht erforderlich, wenn die Messerabdeckung wieder angebracht wird.

## Verwendung

**Warnung!** Beschleunigen Sie den Arbeitsvorgang nicht mit Gewalt. Vermeiden Sie eine Überlastung.

### Laden des Akkus

Der Akku muss vor der erstmaligen Benutzung sowie immer dann aufgeladen werden, wenn das Gerät nicht mehr mit voller Leistung arbeitet. Beim ersten Aufladen des Akkus und nach langer Lagerzeit wird der Akku nur eine Kapazität von 80 % erreichen. Die volle Kapazität wird erst nach einigen Ladezyklen erreicht werden. Der Akku kann sich während des Aufladens erwärmen. Das ist normal und deutet nicht auf ein Problem hin.

**Warnung!** Laden Sie den Akku nicht, wenn die Umgebungstemperatur unter 10 °C oder über 40 °C liegt. Empfohlene Ladetemperatur: ca. 24 °C.

Das Werkzeug kann beliebig lange am Ladegerät angeschlossen bleiben.

Zur Maximierung der Lebensdauer des Akkus wird empfohlen, den Akku an das Ladegerät angeschlossen zu lassen, wenn das Werkzeug nicht verwendet wird. Wenn der Akku vollständig geladen ist, reduziert sich der Stromverbrauch des Ladegeräts auf ein Minimum.

### Laden mit der Wandhalterung (Abb. F)

- ◆ Platzieren Sie das Werkzeug auf der Wandhalterung (11).
- ◆ Schließen Sie das Ladegerät an eine Netzsteckdose an.

### Laden mit dem Ladegerätstecker (Abb. G)

Der Ladegerätstecker ist mit Verriegelungen versehen, um die Verwendung eines falschen Ladegeräts zu verhindern.

- ◆ Stecken Sie den Ladegerätstecker (12) in den Ladeanschluss an der Rückseite des Geräts.
- ◆ Schließen Sie das Ladegerät an eine Netzsteckdose an.

### GSL700 - Laden des Akkus

- ◆ Laden Sie den Akku.

Während des Ladevorgangs blinkt die Ladeanzeige (6). Die Ladeanzeige hört auf zu blinken, wenn der Ladevorgang abgeschlossen ist.

### GSL200/GSL300 - Laden des Akkus

- ◆ Laden Sie den Akku.

Während des Ladevorgangs blinkt die Ladeanzeige (6).

Die Ladeanzeige hört auf zu blinken, wenn der Ladevorgang abgeschlossen ist. Die Ladeanzeige blinkt schnell, um ein Ladeproblem anzuzeigen. Wenn ein Ladeproblem auftritt, schließen Sie das Gerät direkt an den Ladegerätstecker an, indem Sie die Wandhalterung entfernen. Wenn das Ladeproblem weiterhin auftritt, muss es von der Netzstromversorgung getrennt und in einer Vertragswerkstatt repariert werden.

## Ein- und Ausschalten (Abb. H)

### Einschalten

- ◆ Halten Sie den Verriegelungsknopf (2) nach rechts oder links gedrückt und drücken Sie dann den Ein-/Aus-Schalter (1) ein.
- ◆ Lassen Sie den Verriegelungsknopf los.

### Ausschalten

- ◆ Lassen Sie den Ein-/Aus-Schalter (1) los.

**Warnung!** Versuchen Sie niemals, einen Schalter in seiner Einschaltstellung zu arretieren.

## Hinweise für optimale Arbeitsergebnisse (Abb. I & J)

- ◆ Sprühen Sie das Messer vor dem ersten Gebrauch und immer dann, wenn das Messer trocken aussieht, mit einer dünnen Schicht Öl ein.

### Rasentrimmen

- ◆ Um optimale Schneideergebnisse zu erzielen, sollten Sie nur trockenen Rasen beschneiden.
- ◆ Halten Sie das Gerät wie in Abb. I dargestellt. Halten Sie die andere Hand vom Messer fern. Achten Sie auf sicheren Stand. Vermeiden Sie eine anormale Körperhaltung.
- ◆ Schneiden Sie hohes Gras in Zwischenschritten bis zur gewünschten Länge. Schneiden Sie stets nur geringe Längen.
- ◆ Halten Sie das Gerät von harten Gegenständen und empfindlichen Pflanzen fern.
- ◆ Verringern Sie die Belastung, wenn das Gerät sich verlangsamt.
- ◆ Neigen Sie das Gerät leicht, um einen kürzeren Beschnitt zu erzielen.

### Heckentrimmen

- ◆ Neigen Sie das Gerät leicht (bis zu 15° relativ zur Schnittlinie), so dass die Messerspitzen in Richtung der Hecke zeigen (Abb. J). So arbeiten die Messer effektiver.
- ◆ Beginnen Sie mit dem Beschnitt an der Oberseite der Hecke. Halten Sie das Gerät im gewünschten Winkel, und führen Sie es gleichmäßig entlang der Schnittlinie.

Mit dem doppelseitigen Messer können Sie in beide Richtungen schneiden.

- ◆ Spannen Sie für besonders gerade Schnitte auf der gewünschten Höhe eine Richtschnur entlang der Schnittlinie. Schneiden Sie direkt über der Richtschnur.
- ◆ Schneiden Sie für gerade Seiten aufwärts in Wachstumsrichtung. Bei abwärts geführten Schnitten werden jüngere Zweige nach außen gebogen. Dies hat ungleichmäßige Seiten zur Folge.
- ◆ Achten Sie auf Fremdkörper. Vermeiden Sie besonders den Kontakt mit harten Objekten wie Metalldrähten und Geländern, da diese die Messer beschädigen können.
- ◆ Ölen Sie die Messer regelmäßig.

### Tipps für den Beschnitt (Großbritannien und Irland)

- ◆ Beschneiden Sie Hecken und Sträucher, die im Winter ihre Blätter verlieren, im Juni und Oktober.
- ◆ Beschneiden Sie immergrüne Hecken und Sträucher im April und August.
- ◆ Beschneiden Sie Nadelhölzer und andere schnell wachsende Sträucher von Mai bis Oktober alle sechs Wochen.

### Tipps für den Beschnitt (Australien und Neuseeland)

- ◆ Beschneiden Sie Hecken und Sträucher, die im Winter ihre Blätter verlieren, im Dezember und März.
- ◆ Beschneiden Sie immergrüne Hecken und Sträucher im September und Februar.
- ◆ Beschneiden Sie Nadelhölzer und andere schnell wachsende Sträucher von Oktober bis März alle sechs Wochen.

## Wartung

Ihr BLACK+DECKER Gerät (mit und ohne Netzkabel) wurde im Hinblick auf eine lange Lebensdauer und einen möglichst geringen Wartungsaufwand entwickelt. Ein kontinuierlicher, zufriedenstellender Betrieb hängt von der richtigen Pflege des Gerätes und seiner regelmäßigen Reinigung ab.

**Warnung!** Vor dem Ausführen jeglicher Wartungsarbeiten an Geräten mit und ohne Netzkabel:

- ◆ Schalten Sie das Gerät aus und ziehen Sie den Netzstecker.
- ◆ Wenn das Gerät über einen separaten Batteriepack oder Akku verfügt, schalten Sie das Gerät ab und entnehmen Sie die Batterie/den Akku aus dem Gerät.
- ◆ Wenn der Akku integriert ist, entladen Sie diesen vor dem Abschalten vollständig.
- ◆ Ziehen Sie das Ladegerät aus der Netzsteckdose, bevor Sie es reinigen. Das Ladegerät benötigt keine Wartung, es sollte jedoch regelmäßig gereinigt werden.

- ◆ Reinigen Sie regelmäßig die Lüftungsschlitze des Geräts und des Ladegeräts mit einer weichen Bürste oder einem trockenen Tuch.
- ◆ Reinigen Sie das Motorgehäuse regelmäßig mit einem feuchten Tuch.  
Verwenden Sie keine scheuernden Reinigungsmittel oder Reinigungsmittel auf Lösungsmittelbasis.
- ◆ Öffnen Sie regelmäßig das Spannfutter, und entfernen Sie durch Klopfen ggf. Staub aus dem Inneren des Geräts.
- ◆ Reinigen Sie die Messer nach dem Gebrauch sorgfältig. Tragen Sie nach der Reinigung leichtes Maschinenöl auf die Messer auf, um Rostbildung vorzubeugen.

## Aufbewahrung

Wenn das Gerät für mehrere Monate nicht benutzt wird, sollte der Akku am besten im Ladegerät verbleiben. Gehen Sie anderenfalls wie folgt vor:

- ◆ Laden Sie den Akku vollständig auf.
- ◆ Bewahren Sie das Gerät an einem sicheren und trockenen Ort auf. Die Temperatur am Aufbewahrungsort muss immer im Bereich von +10°C bis +40°C liegen.
- ◆ Nach langer Lagerzeit sollte vor der Verwendung des Geräts der Akku voll aufgeladen werden.

## Umweltschutz



Getrennte Sammlung. Produkte und Akkus mit diesem Symbol dürfen nicht mit dem normalen Hausmüll entsorgt werden.

Produkte und Akkus enthalten Materialien, die wiederverwertet werden können, um den Bedarf an Rohstoffen zu verringern. Bitte recyceln Sie elektrische Produkte und Akkus gemäß den örtlichen Bestimmungen. Weitere Informationen finden Sie auf [www.2helpU.com](http://www.2helpU.com)

## Technische Daten

		GSL200	GSL300	GSL700
Spannung	$V_{DC}$	3,6	3,6	7,0
Messertakt (lastfrei)	$\text{min}^{-1}$	850	850	850
Messerlänge (Schere)	cm	10	-	10
Messerabstand (Schere)	mm	23	-	23
Messerlänge (Trimmer)	cm	-	15	15
Messerabstand (Trimmer)	mm	-	8	8
Messerbremszeit	s	< 1	< 1	< 1
Gewicht	kg	0,65	0,65	0,65

Ladegerät		
Eingangsspannung	$V_{AC}$	230
Ausgangsspannung	$V_{DC}$	15V
Stromstärke	mA	150mA
Geschätzte Ladedauer	h	10h
Gewicht	kg	0.15

### Schalldruckpegel gemäß EN 62841:

Schalldruck ( $L_{pA}$ ) 75 dB(A), Unsicherheitsfaktor (K) 3 dB(A)  
Schalleistung ( $L_{WA}$ ) 84 dB(A), Unsicherheitsfaktor (K) 3 dB(A)

### Gesamtvibration (Triax-Vektorsumme) gemäß EN 62841:

( $a_w$ ) 2,5  $\text{m/s}^2$ , Unsicherheitsfaktor (K) 1,5  $\text{m/s}^2$

## MASCHINENRICHTLINIE RICHTLINIE ÜBER UMWELTBELASTENDE GERÄUSCHEMISSIONEN



GSL200, GSL300, GSL700 - Schere/Trimmer

Black & Decker erklärt, dass die in den technischen Daten beschriebenen Geräte übereinstimmen mit: 2006/42/EC und EN 62841-1:2015 + A11:2022, EN 62841-4-2:2019, EN IEC 62841-4-5:2021+A11:2021

Schallpegel gemäß 2000/14/EG  
(Artikel 13, Anhang III):

$L_{WA}$  (gemessene Schalleistung) 84 dB(A)  
Unsicherheitsfaktor = 3 dB(A)

$L_{WA}$  (garantierte Schalleistung) 87 dB(A)

Diese Produkte entsprechen außerdem den Richtlinien 2014/30/EU und 2011/65/EU.

Weitere Informationen erhalten Sie von Black & Decker unter der folgenden Adresse. Diese befindet sich auch auf der Rückseite dieser Anleitung.

Der Unterzeichnete ist verantwortlich für die Zusammenstellung der technischen Daten und gibt diese Erklärung im Namen von Black & Decker ab.

*Patrick Diepenbach*

Patrick Diepenbach  
General Manager, Benelux  
Black & Decker,  
Egide Walschaertsstraat 14-18  
2800 Mechelen, Belgien  
03.08.2022

## Garantie

Black & Decker vertraut auf die Qualität der eigenen Geräte und bietet dem Käufer eine außergewöhnliche Garantie von 24 Monaten ab Kaufdatum. Diese Garantie versteht sich unbeschadet der gesetzlichen Gewährleistungsansprüche und schränkt diese keinesfalls ein. Diese Garantie gilt innerhalb der Staatsgebiete der Mitgliedstaaten der Europäischen Union und der Europäischen Freihandelszone und das Vereinigte Königreich.

Zur Inanspruchnahme dieser Garantie muss sie den allgemeinen Geschäftsbedingungen von Black + Decker entsprechen und dem Verkäufer bzw. der Vertragswerkstatt ist ein Kaufnachweis vorzulegen. Die Bedingungen für die 2-jährige Garantie von Black&Decker und den Standort Ihrer nächstgelegenen Vertragswerkstatt finden Sie im Internet unter [www.2helpU.com](http://www.2helpU.com) oder indem Sie sich an die lokale Black&Decker-Niederlassung wenden, deren Adresse Sie in dieser Anleitung finden.

Ihr neues Black & Decker Produkt können Sie auf unserer Website unter [www.blackanddecker.de](http://www.blackanddecker.de) registrieren. Dort erhalten Sie auch Informationen über neue Produkte und Sonderangebote.

## FRANÇAIS

(Traduction des instructions initiales)

## Utilisation prévue

Votre taille-herbe/sculpte-haie BLACK+DECKER™ GSL200, GSL300, GSL700 a été conçu pour tailler l'herbe, les haies, les buissons et les ronces. Cet outil est destiné à un usage grand public uniquement.

Votre chargeur BLACK+DECKER a été conçu pour recharger les batteries BLACK+DECKER du type de celle fournie avec cet outil.

## Consignes de sécurité

### Avertissements de sécurité générale propres aux outils électriques



**Avertissement ! Veuillez à lire tous les avertissements sur la sécurité, toutes les instructions, toutes les illustrations et toutes les spécifications fournies avec cet outil électrique.**

Le non-respect de toutes les instructions listées ci-dessous peut entraîner des décharges électriques, des incendies et/ou de graves blessures.

## Conservez tous les avertissements et toutes les instructions afin de pouvoir vous y référer dans le futur.

Le terme "outil électrique" mentionné dans tous les avertissements listés ci-dessous fait référence à vos outils électriques branchés sur secteur (avec fil) ou fonctionnant sur pile ou batterie (sans fil).

1. **Sécurité de la zone de travail**
  - a. **Maintenez la zone de travail propre et bien éclairée.** Les zones sombres ou encombrées sont propices aux accidents.
  - b. **N'utilisez pas d'outils électriques dans un environnement présentant des risques d'explosion ou en présence de liquides, gaz ou poussières inflammables.** Les outils électriques créent des étincelles qui peuvent enflammer les poussières et les fumées.
  - c. **Maintenez les enfants et les autres personnes à l'écart quand vous utilisez un outil électrique.** Toute distraction peut vous faire perdre le contrôle de l'outil.

### 2. Sécurité électrique

- a. **Les prises des outils électriques doivent correspondre à la prise de courant murale. Ne modifiez jamais la prise d'aucune sorte. N'utilisez aucun adaptateur avec des outils électriques reliés à la terre.** L'utilisation de prises d'origine et de prises murales appropriées permet de réduire le risque de décharge électrique.
- b. **Évitez tout contact physique avec des surfaces reliées à la terre comme des tuyaux, des radiateurs, des fours et des réfrigérateurs par exemple.** Il y a sinon un risque accru de décharge électrique si votre corps est lui-même relié à la terre.
- c. **N'exposez pas les outils électriques à la pluie, ni à l'humidité.** Le risque de décharge électrique augmente si de l'eau pénètre dans un outil électrique.
- d. **Ne tirez pas sur le cordon d'alimentation. N'utilisez jamais le cordon pour transporter, tirer ou débrancher l'outil électrique. Maintenez le cordon à l'écart de la chaleur, des substances grasses, des bords tranchants ou des pièces mobiles.** Les cordons endommagés ou emmêlés augmentent les risques de décharges électriques.
- e. **Si vous utilisez un outil électrique à l'extérieur, utilisez une rallonge homologuée pour les travaux en extérieur.** L'utilisation d'une rallonge électrique homologuée pour les travaux en extérieur réduit le risque de décharge électrique.
- f. **Si l'utilisation d'un outil électrique dans un endroit humide est inévitable, utilisez une alimentation électrique protégée par un disjoncteur différentiel à courant résiduel (DDR).** L'utilisation d'un DDR réduit le risque de décharge électrique.

### 3. Sécurité des personnes

- a. **Restez vigilant, surveillez ce que vous faites et faites preuve de bon sens lorsque vous utilisez un outil électrique. N'utilisez pas d'outils électriques si vous êtes fatigué ou sous l'influence de drogue, d'alcool ou de médicaments.** Tout moment d'inattention pendant l'utilisation d'un outil électrique peut engendrer de graves blessures.
- b. **Portez des équipements de protection individuelle. Portez toujours une protection oculaire.** Les équipements de protection comme les masques à poussière, les chaussures de sécurité antidérapantes, les casques ou les protections auditives réduisent le risque de blessures s'ils sont utilisés à bon escient.
- c. **Empêchez tout démarrage intempestif. Veillez à ce que l'interrupteur soit sur la position Arrêt avant de raccorder l'outil à l'alimentation électrique et/ou au bloc-batterie ou avant de ramasser ou de transporter l'outil.** Le fait de transporter les outils électriques le doigt sur l'interrupteur ou d'alimenter les outils électriques dont l'interrupteur est déjà en position de marche augmente le risque d'accidents.
- d. **Retirez toutes les clés ou pinces de réglage avant de mettre l'outil en marche.** Une clé ou une pince restée fixée sur une pièce rotative de l'outil électrique peut engendrer des blessures.
- e. **Ne vous penchez pas. Gardez les pieds bien ancrés au sol et conservez votre équilibre en permanence.** Cela permet de mieux maîtriser l'outil électrique en cas de situations imprévues.
- f. **Portez des vêtements appropriés. Ne portez aucuns vêtements amples, ni bijoux. Gardez vos cheveux, vos vêtements et vos gants éloignés des pièces mobiles.** Les vêtements amples, les bijoux ou les cheveux longs peuvent être happés par les pièces mobiles.
- g. **Si vous disposez de dispositifs pour le raccordement d'un extracteur de poussière ou d'installations pour la récupération, assurez-vous qu'ils sont correctement raccordés et utilisés.** L'utilisation de dispositifs récupérateurs de poussières réduit les risques liés aux poussières.
- h. **Ne pensez pas être familiarisé avec l'outil après l'avoir utilisé à de nombreuses reprises, au point de ne plus rester vigilant et d'en oublier les consignes de sécurité.** Toute action imprudente peut engendrer de graves blessures en une fraction de seconde.

### 4. Utiliser et entretenir un outil électrique

- a. **Respectez la capacité de l'outil. Utilisez le bon outil électrique, adapté pour le travail à réaliser.** Un outil adapté fonctionne mieux, de façon plus sûre et à la cadence pour laquelle il a été conçu.
- b. **N'utilisez pas l'outil électrique si son interrupteur ne permet pas de l'allumer ou de l'éteindre.**

Tout outil électrique qui ne peut plus être commandé par son interrupteur est dangereux et il doit être réparé.

- c. **Débranchez la prise de courant et/ou retirez le bloc-batterie de l'outil électrique avant d'effectuer tout réglage, de changer un accessoire ou de ranger l'outil électrique.** Ces mesures de sécurité préventives réduisent le risque de démarrage accidentel de l'outil électrique.
  - d. **Rangez les outils électriques non utilisés hors de portée des enfants et ne laissez aucune personne ne connaissant pas ces outils ou leurs instructions d'utilisation les faire fonctionner.** Les outils électriques peuvent être dangereux entre des mains inexpérimentées.
  - e. **Entretenez vos outils électriques. Vérifiez que les pièces mobiles sont alignées correctement et qu'elles ne sont pas coincées. Vérifiez qu'aucune pièce n'est cassée et contrôlez l'absence de toute autre condition qui pourrait nuire au bon fonctionnement de l'outil. En cas de dommage, faites réparer l'outil électrique avant de le réutiliser.** De nombreux accidents sont provoqués par des outils électriques mal entretenus.
  - f. **Maintenez les organes de coupe affûtés et propres.** Des organes de coupe bien entretenus et dont le tranchant est affûté sont moins susceptibles de rester coincés et ils sont plus faciles à contrôler.
  - g. **Utilisez l'outil électrique, les accessoires et les embouts d'outils conformément à ces instructions, en tenant compte des conditions de travail et de la tâche à effectuer.** L'utilisation d'un outil électrique à d'autres fins que celles pour lesquelles il a été prévu peut entraîner des situations dangereuses.
  - h. **Veillez à ce que les poignées et les surfaces de préhension restent sèches et propres, sans trace d'huile ou de graisse.** Des poignées glissantes et des surfaces grasses ne permettent pas de manipuler ou de contrôler l'outil de façon sûre en cas de situation inattendue.
5. **Utiliser et entretenir un outil fonctionnant sur batterie**
    - a. **N'effectuez la recharge qu'à l'aide du chargeur spécifié par le fabricant.** Un chargeur adapté pour un type de bloc-batterie peut engendrer un risque d'incendie s'il est utilisé avec un bloc-batterie différent.
    - b. **N'utilisez les outils électriques qu'avec les blocs-batteries qui leur sont dédiés.** L'utilisation d'autres blocs-batteries peut créer un risque de blessures et d'incendie.
    - c. **Lorsque le bloc-batterie n'est pas utilisé, éloignez-le des objets en métal comme les trombones, les pièces de monnaies, les clés, les clous, les vis ou d'autres petits objets métalliques qui pourraient créer un contact entre les deux bornes.** La mise en court-circuit des bornes d'une batterie peut provoquer des brûlures ou un incendie.

- d. **Dans des conditions extrêmes, du liquide peut être éjecté de la batterie. Évitez tout contact avec ce liquide. En cas de contact accidentel, rincez à l'eau. En cas de contact avec les yeux, consultez en plus un médecin.** Le liquide sortant de la batterie peut provoquer des irritations ou des brûlures.
- e. **N'utilisez pas un bloc-batterie ou un outil endommagé ou modifié.** Un bloc-batterie endommagé ou modifié peut avoir un comportement imprévisible qui peut entraîner un incendie, une explosion ou à un risque de blessure.
- f. **N'exposez pas le bloc-batterie ou l'outil au feu ou à des températures excessives.** L'exposition au feu ou à des températures dépassant 130°C peut provoquer une explosion.
- g. **Respectez les instructions de charge et ne rechargez pas le bloc-batterie ou l'outil en dehors de la une plage de températures spécifiée dans les instructions.** Une charge mal effectuée ou à des températures hors de la plage spécifiée peut endommager le bloc-batterie et augmenter le risque d'incendie.
6. **Révision/Réparation**
- a. **Ne faites réviser/réparer votre outil électrique que par un réparateur qualifié qui n'utilise que des pièces de rechange d'origine.** Cela permet de garantir la sûreté de l'outil électrique.
- b. **Ne réparez jamais des blocs-batteries endommagés.** Les réparations sur les blocs-batteries ne doivent être effectuées que par le fabricant ou l'un de ses prestataires de services agréés.

## Avertissements supplémentaires liés à la sécurité, propres aux outils électriques



**Avertissement !** Consignes de sécurité supplémentaires propres aux tailles-haies

- ◆ **Gardez toutes les parties de votre corps loin de la lame. Ne retirez pas les chutes et ne tenez pas les éléments à couper à la main lorsque les lames sont en mouvement. Assurez-vous que l'interrupteur est à l'arrêt avant de retirer d'éventuelles chutes restées coincées.** Un moment d'inattention lors de l'utilisation du sculpte-haie peut entraîner de graves blessures.
- ◆ **Ne transportez le sculpte-haie que par la poignée et une fois la lame immobilisée. Installez toujours le fourreau sur l'appareil avant de transporter ou de ranger le sculpte-haie.** Les blessures potentielles liées aux lames peuvent être réduites si le sculpte-haie est manipulé correctement.
- ◆ **Installez toujours le fourreau de la lame pour transporter ou ranger le sculpte-haie.** En manipulant le sculpte-haie de la bonne manière vous diminuez le risque de démarrage intempestif et les blessures possibles par les lames.
- ◆ **Pour supprimer un bourrage ou entretenir l'équipement, veillez à ce que tous les interrupteurs soient sur la position Arrêt et que le câble électrique soit bien débranché.** La mise en marche intempestive du sculpte-haie pendant la suppression d'un bourrage ou une réparation peut engendrer de graves blessures.
- ◆ **Tenez le sculpte-haie par ses surfaces de préhension isolées car il est possible que la lame entre en contact avec des fils cachés ou son propre cordon.** Tout contact des lames avec un fil sous tension peut mettre les parties métalliques exposées du sculpte-haie sous tension et occasionner une décharge électrique à l'utilisateur.
- ◆ **Éloignez tous les cordons et câbles électriques de la zone de coupe.** Les cordons et câbles d'alimentation peuvent être camouflés par les haies ou les buissons et risquent d'être sectionnés par la lame.
- ◆ **N'utilisez pas le sculpte-haie si les conditions météorologiques sont mauvaises, tout particulièrement lorsqu'il y a un risque de foudre.** Vous réduirez ainsi le risque d'être frappé par la foudre.
- ◆ **L'utilisation prévue est décrite dans cette notice d'utilisation.**  
L'utilisation d'un accessoire ou d'un équipement non spécifié ou l'utilisation de cet outil à d'autres fins que celles recommandées dans la présente notice d'utilisation présentent un risque de blessures et/ou de dommages matériels.
- ◆ Si vous n'avez jamais utilisé de sculpte-haie auparavant, il est préférable de demander les conseils d'un utilisateur expérimenté en complément de la lecture de cette notice.
- ◆ Ne touchez jamais les lames lorsque l'outil est en marche.
- ◆ N'arrêtez jamais les lames de force.
- ◆ Ne reposez pas l'outil tant que les lames ne sont pas parfaitement immobiles.
- ◆ Contrôlez régulièrement l'absence de dommage et d'usure sur les lames. N'utilisez pas l'outil si ses lames sont endommagées.
- ◆ Prenez soin d'éviter tout contact avec des objets durs (câbles métalliques, garde-corps par exemple) pendant la taille.  
Si vous touchez ce type d'objets accidentellement, éteignez immédiatement l'outil et contrôlez l'absence de dommage.
- ◆ Si l'outil se met à vibrer de façon anormale, éteignez-le immédiatement avant de contrôler l'absence d'un quelconque dommage.
- ◆ Si l'outil cale, éteignez-le immédiatement.
- ◆ Après l'utilisation, placez le fourreau fourni sur les lames. Rangez l'outil en vous assurant que les lames ne sont pas à nu.
- ◆ Assurez-vous toujours que tous les dispositifs de sécurité sont correctement installés avant d'utiliser l'outil.

Ne tentez jamais d'utiliser un outil incomplet ou qui a été modifié de façon non autorisée.

- ◆ Ne laissez jamais les enfants utiliser l'outil.
- ◆ Prenez garde aux débris qui peuvent chuter lorsque vous taillez les parties plus hautes d'une haie.

## Avertissements de sécurité concernant les taille-herbes :

- ◆ **N'utilisez pas le taille-herbe si les conditions météorologiques sont mauvaises, tout particulièrement lorsqu'il y a un risque de foudre.** Vous réduirez ainsi le risque d'être frappé par la foudre.
- ◆ **Éloignez tous les cordons et câbles électriques de la zone de coupe.** Il est possible que les cordons et les câbles soient camouflés et ils risquent d'être sectionnés par la lame.
- ◆ **Portez des protections auditives.** Un équipement de protection adapté permet de réduire le risque de perte d'audition.
- ◆ **Tenez le taille-herbe par ses surfaces de préhension isolées car il est possible que la lame entre en contact avec des fils cachés.** Tout contact de la lame avec un fil sous tension peut mettre les parties métalliques exposées du taille-herbe sous tension et occasionner une décharge électrique à l'utilisateur.
- ◆ **Gardez toutes les parties de votre corps loin de la lame. Ne retirez pas les chutes et ne tenez pas les éléments à couper à la main lorsque les lames sont en mouvement. Le mouvement des lames continue après l'extinction du moteur.** Tout moment d'inattention pendant l'utilisation du taille-herbe peut entraîner de graves blessures.
- ◆ **Pour supprimer un bourrage ou entretenir le taille-herbe, veillez à ce que l'interrupteur soit la position Arrêt et que le dispositif de verrouillage soit bien enclenché.**

La mise en marche accidentelle du taille-herbe pendant la suppression d'un bourrage ou une opération d'entretien peut occasionner de graves blessures.

- ◆ **Portez le taille-herbe par la poignée, lame immobilisée et en prenant soin de ne pas actionner l'interrupteur.** En transportant le taille-herbe de la bonne manière vous diminuez le risque de démarrage intempestif et les blessures possibles par les lames.
- ◆ **Installez toujours le fourreau de la lame pour transporter ou ranger le taille-herbe.** En manipulant le taille-herbe de la bonne manière vous diminuez le risque de blessures par les lames.

## Avertissements de sécurité supplémentaires, propres aux outils électriques



**Avertissement !** Avertissements de sécurité supplémentaires propres aux taille-herbes

- ◆ Ne laissez jamais aucune personne ni aucun enfant non familiarisés avec ses instructions, utiliser la machine. La réglementation locale peut limiter l'âge de l'utilisateur.
- ◆ Gardez à l'esprit que l'utilisateur est responsable des accidents ou des risques subis par les autres ou leurs biens.
- ◆ N'utilisez jamais la machine si des personnes et des animaux, et tout particulièrement des enfants, sont à proximité.
- ◆ N'utilisez la machine que de jour ou avec un bon éclairage artificiel.
- ◆ Veillez à ce que les ouvertures d'aération restent exemptes de débris.
- ◆ N'utilisez que des pièces détachées et des accessoires recommandés par le fabricant.
- ◆ Inspectez et entretenez régulièrement la machine. Ne faites réparer la machine que par un réparateur agréé.

## Sécurité des personnes

- ◆ Cet appareil peut être utilisé par des enfants âgés de 8 ans ou plus et par des personnes aux capacités physiques, sensorielles ou intellectuelles réduites ou qui manquent d'expérience ou de connaissance, à condition qu'ils soient supervisés ou qu'ils aient été formés sur la façon sûre d'utiliser l'appareil et qu'ils comprennent les risques encourus.
- ◆ Ne laissez pas les enfants jouer avec l'appareil. Le nettoyage et les opérations de maintenance à réaliser par l'utilisateur ne doivent pas être exécutés par des enfants sans surveillance.

## Vibrations

La valeur des vibrations émises déclarée dans les caractéristiques techniques et la déclaration de conformité a été mesurée selon une méthode de test standardisée fournie par la norme EN 62841 et elle peut être utilisée pour comparer un outil à un autre.

La valeur des vibrations émises déclarée peut aussi être utilisée pour une évaluation préliminaire à l'exposition.

**Avertissement !** En fonction de la manière dont l'outil est utilisé, la valeur réelle des vibrations émises pendant son utilisation peut différer de la valeur déclarée. Le niveau des vibrations peut dépasser le niveau déclaré.

Quand l'exposition aux vibrations est évaluée afin de déterminer les mesures de sécurité requises par la norme 2002/44/CE pour protéger les personnes utilisant régulièrement des outils électriques, l'estimation de l'exposition aux vibrations doit tenir compte des conditions réelles d'utilisation et de la façon dont l'outil est utilisé. Il faut également tenir compte de toutes les composantes du cycle de fonctionnement comme les durées pendant lesquelles l'outil est arrêté et quand il fonctionne au ralenti, ainsi que la durée du déclenchement.

## Étiquettes apposées sur l'outil

Les pictogrammes suivants ainsi que le code date sont apposés sur l'outil :



**Avertissement !** Afin de réduire le risque de blessures, l'utilisateur doit lire la notice d'utilisation.



Portez des lunettes de protection pour utiliser cet outil.



N'exposez ni à la pluie ni à l'humidité.



Faites attention aux lames tranchantes. Les lames continuent de tourner juste après l'extinction du moteur.



Attention aux projections d'objets. Gardez à distance les éventuelles personnes à proximité.



**Danger !** Gardez les mains loin de la lame



Appareil de classe III.



Puissance sonore garantie conforme à la Directive 2000/14/CE.

## Consignes de sécurité supplémentaires propres aux batteries et aux chargeurs

### Batteries

- ◆ Ne tentez de les ouvrir sous aucun prétexte.
- ◆ N'exposez pas la batterie à l'eau.
- ◆ Ne stockez pas la batterie dans des endroits où la température peut dépasser 40 °C.
- ◆ Ne les rechargez qu'à une température ambiante comprise entre 10 °C et 40 °C.
- ◆ Ne procédez à la charge qu'avec le chargeur fourni avec l'appareil/outil. L'utilisation d'un chargeur inadapté peut occasionner une décharge électrique ou la surchauffe de la batterie.

- ◆ Au moment de jeter les batteries, respectez les instructions mentionnées à la section "Protection de l'environnement".
- ◆ Ne déformez/n'endommagez pas le bloc-batterie en le perçant ou en lui faisant subir un choc, ceci pourrait entraîner des blessures et un incendie.
- ◆ Ne rechargez pas des batteries endommagées.
- ◆ Dans des conditions extrêmes, la batterie peut fuir. Si vous détectez une fuite, utilisez un chiffon pour essuyer le liquide avec précaution. Évitez tout contact avec la peau.
- ◆ En cas de contact avec la peau ou les yeux, respectez les consignes mentionnées ci-dessous.

**Avertissement !** Le liquide de la batterie peut provoquer des blessures ou des dégâts matériels. En cas de contact avec la peau, rincez immédiatement à l'eau. Si des rougeurs, une douleur ou une irritation se produisent, consultez un médecin. En cas de contact avec les yeux, rincez immédiatement à l'eau et consultez un médecin.

### Chargeurs

Votre chargeur a été conçu pour une tension spécifique. Vérifiez toujours que la tension du réseau électrique correspond à la tension mentionnée sur la plaque signalétique.

**Avertissement !** N'essayez jamais de remplacer le module de charge par une prise de courant ordinaire.

- ◆ N'utilisez votre chargeur BLACK+DECKER que pour recharger la batterie de l'outil avec lequel elle a été fournie. Les autres batteries pourraient exploser et entraîner des blessures et des dommages.
- ◆ Ne tentez jamais de recharger des piles non rechargeables.
- ◆ Si le câble d'alimentation est endommagé, il doit être remplacé par le fabricant ou par un centre de réparation agréé BLACK+DECKER afin d'éviter tout accident.
- ◆ N'exposez pas le chargeur à l'eau.
- ◆ N'ouvrez pas le chargeur.
- ◆ Ne sondez pas le chargeur.
- ◆ Pendant la charge, placez l'appareil/l'outil/la batterie dans un endroit correctement aéré.



Le chargeur est conçu pour être exclusivement utilisé à l'intérieur.



Lisez la notice avant de l'utiliser.

### Sécurité électrique



Votre chargeur dispose d'une double isolation, aucune liaison à la terre n'est donc nécessaire. Vérifiez toujours que la tension du réseau électrique correspond à la tension mentionnée sur la plaque signalétique.



- ◆ Si le câble d'alimentation est endommagé, il doit être remplacé par le fabricant ou par un centre de réparation agréé BLACK+DECKER afin d'éviter tout accident.

**Avertissement !** N'essayez jamais de remplacer le module de charge par une prise de courant ordinaire.

## Caractéristiques

1. Interrupteur Marche/Arrêt
2. Bouton de verrouillage
3. Bouton de libération de la lame
4. Lame de taille-herbe (GSL200/GSL700)
5. Lame de sculpture-haie (GSL300/GSL700)
6. Témoin de charge

## Assemblage

**Avertissement !** Évitez toute activation accidentelle de l'outil pendant l'assemblage.

### Installer la fixation murale au mur (Fig. A et B)

La fixation murale peut être installée au mur ce qui offre un moyen pratique de ranger l'outil tout en permettant de le recharger.

- ◆ Vissez les vis dans le mur à travers les trous des fentes de la fixation murale.
- ◆ Positionnez l'outil sur la fixation murale.
- ◆ Branchez le chargeur en veillant à ce que le témoin de charge (6) s'allume (fig. A).
- ◆ Au besoin, utilisez les deux patères (7) au bas de la fixation murale pour ranger la lame non utilisée (fig. B).

**Avertissement !** Veillez à ne pas endommager le cordon électrique en installant la fixation murale au mur.

### Retirer la prise du chargeur de la fixation murale (Fig. C)

Il est possible de recharger l'outil en dehors de la fixation murale. Il est possible de relier la prise du chargeur à l'outil directement.

- ◆ Retirez les vis à l'arrière de la fixation murale.
- ◆ Glissez la partie arrière (8) hors de la partie avant (9) pour ouvrir la fixation murale.
- ◆ Retirez la prise du chargeur de la fixation murale.

### Installer et retirer la Lame (Fig. D et E)

La lame de taille-herbe (4) est conçue pour tailler le gazon et les mauvaises herbes. La lame de taille (5) est conçue pour tailler les haies et les arbustes.

- ◆ Retirez le cache-lame.
- ◆ Maintenez le bouton de libération de la lame (3) enfoncé dans le sens de la flèche (fig. D1).
- ◆ Glissez le cache-lame (10) vers l'arrière et soulevez-le (fig. D2).
- ◆ Abaissez la lame sur les picots.

- ◆ Tout en maintenant la lame sur les picots (fig. E1), réinstallez le cache-lame (10) et glissez-le vers l'avant (fig. E2).

**Remarque :** Il n'est pas nécessaire d'aligner la lame avec la tige d'entraînement et l'activation du bouton de libération de la lame n'est pas nécessaire pour réinstaller le cache-lame.

## Utiliser la machine

**Avertissement !** Laissez l'outil fonctionner à son propre rythme. Ne poussez pas l'appareil au-delà de sa capacité.

## Recharger la batterie

La batterie doit être rechargée avant la première utilisation et chaque fois qu'elle n'apporte plus assez de puissance pour les travaux réalisés sans peine auparavant. La batterie, lors du premier rechargement ou après une longue période, n'accepte que 80% de charge. Après plusieurs cycles de charge et de décharge, la batterie atteint sa pleine capacité. La batterie peut chauffer pendant la charge. Ce phénomène est normal et n'indique pas un problème.

**Avertissement !** Ne rechargez pas la batterie à une température ambiante inférieure à 10 °C ou supérieure à 40 °C. La température recommandée est d'environ 24 °C. L'outil peut rester branché au chargeur en permanence. Afin d'optimiser la durée de vie de la batterie, il est recommandé de laisser la batterie branchée au chargeur quand l'outil n'est pas utilisé. La consommation électrique du chargeur est minime une fois la batterie pleine.

### Recharger sur la fixation murale (Fig. F)

- ◆ Positionnez l'outil sur la fixation murale (11).
- ◆ Branchez le chargeur.

### Recharger à l'aide de la prise du chargeur (Fig. G)

La prise du chargeur est équipée d'un système de verrouillage pour empêcher l'utilisation d'un chargeur inapproprié.

- ◆ Insérez la prise du chargeur (12) dans la prise pour le chargeur à l'arrière de l'outil.
- ◆ Branchez le chargeur.

### GSL700 - Recharger la batterie

- ◆ Rechargez la batterie.

Lorsque la batterie est en charge, le témoin de charge (6) clignote. Le témoin de charge cesse de clignoter une fois la charge terminée.

### GSL200/ GSL300 - Recharger la batterie

- ◆ Rechargez la batterie.

Lorsque la batterie est en charge, le témoin de charge (6) clignote. Le témoin de charge cesse de clignoter une fois la charge terminée. Le témoin de charge clignote rapidement pour indiquer un problème de charge.

Si un problème se produit pendant la charge, raccordez l'outil directement à la prise du chargeur en la retirant de la fixation murale. Si le problème de charge persiste, débranchez le chargeur de l'alimentation électrique et apportez-le dans un centre d'assistance pour le faire réparer.

## Mise en marche et extinction (Fig. H)

### Mise en marche

- ◆ Maintenez le bouton de verrouillage (2) vers la droite ou la gauche et enfoncez l'interrupteur Marche/Arrêt (1).
- ◆ Relâchez le bouton de verrouillage.

### Extinction

- ◆ Relâchez l'interrupteur Marche/Arrêt (1).

**Avertissement !** N'essayez jamais de bloquer l'interrupteur en position marche.

## Conseils pour une utilisation optimale (fig. I et J)

- ◆ Vaporisez une fine couche d'huile multiusage avant la première utilisation et à chaque fois que les lames deviennent trop sèches.

### Tailler le gazon

- ◆ Afin d'obtenir un résultat optimum, ne coupez que de l'herbe.
- ◆ Tenez l'outil comme illustré par la Fig. I. Gardez votre autre main très loin de la lame. Conservez une posture de travail stable pour ne pas glisser. Ne vous penchez pas.
- ◆ Pour tailler du gazon plus haut, travaillez par étape depuis le haut.  
Ne taillez que peu de matière à la fois.
- ◆ Gardez l'outil à l'écart des objets durs et des plantes délicates.
- ◆ Si l'outil se met à ralentir, réduisez la charge.
- ◆ Pour effectuer une coupe plus courte, inclinez légèrement l'outil.

### Sculpter les haies

- ◆ Inclinez légèrement l'outil (jusqu'à environ 15° par rapport à la ligne de coupe) pour que les extrémités de la lame pointent vers la haie (Fig. J). Les lames sont ainsi plus efficaces.
- ◆ Commencez par tailler le haut de la haie. Maintenez l'outil à l'angle voulu et déplacez-le de façon régulière le long de la ligne de coupe. La lame à double face vous permet de couper dans les deux sens.
- ◆ Pour obtenir une coupe bien droite, tendez une corde sur la longueur de la haie à la hauteur désirée. Utilisez la corde comme guide et coupez juste au-dessus.
- ◆ Pour que les côtés soient bien planes, coupez les pousses vers le haut.

Les jeunes pousses ressortent quand la lame coupe vers le bas, ce qui crée des irrégularités dans la taille.

- ◆ Veillez à éviter les corps étrangers. Évitez tout particulièrement les objets durs comme des fils métalliques ou des garde-corps qui pourraient endommager les lames.
- ◆ Huilez régulièrement les lames.

## Directives pour la taille (Royaume-Uni et Irlande)

- ◆ Taillez les haies et les arbustes à feuilles saisonnières (nouvelles feuilles chaque année) en juin et en octobre.
- ◆ Taillez les végétaux à feuilles persistantes en avril et en août.
- ◆ Taillez les conifères et les autres arbustes à croissance rapide toutes les six semaines, de mai à octobre.

## Directives pour la taille (Australie et Nouvelle-Zélande)

- ◆ Taillez les haies et les arbustes à feuilles saisonnières (nouvelles feuilles chaque année) en décembre et en mars.
- ◆ Taillez les végétaux à feuilles persistantes en septembre et en février.
- ◆ Taillez les conifères et les autres arbustes à croissance rapide toutes les six semaines, de octobre à mars.

## Maintenance

Votre appareil/outil sans fil/avec fil BLACK+DECKER a été conçu pour fonctionner longtemps avec un minimum d'entretien. Le fonctionnement continu et satisfaisant de l'outil dépend de son bon entretien et de son nettoyage régulier.

**Avertissement !** Avant toute opération de maintenance sur des outils électriques avec ou sans fil :

- ◆ Éteignez l'appareil/outil et débranchez-le.
- ◆ Ou, éteignez l'appareil/outil et retirez la batterie de l'appareil/outil si celui-ci est muni d'un bloc-batterie amovible.
- ◆ Ou déchargez complètement la batterie si elle est intégrée, puis éteignez l'appareil/outil.
- ◆ Débranchez le chargeur avant de le nettoyer. Votre chargeur ne nécessite aucun entretien particulier, à l'exception d'un nettoyage régulier.
- ◆ Nettoyez régulièrement les fentes d'aération de votre appareil/outil/chargeur à l'aide d'une brosse souple ou d'un chiffon sec.
- ◆ Nettoyez régulièrement le bloc-moteur à l'aide d'un chiffon humide.  
N'utilisez pas de détergents abrasifs ou à base de solvants.
- ◆ Ouvrez régulièrement le mandrin et retirez la poussière à l'intérieur en le tapotant (le cas échéant).
- ◆ Nettoyez les lames avec précaution, après l'utilisation.

Après le nettoyage, appliquez un film fin d'huile pour machine afin d'empêcher que les lames ne rouillent.

## Rangement

Lorsque l'outil n'est pas utilisé pendant plusieurs mois, laissez si possible la batterie raccordée au chargeur. Sinon, procédez comme suit :

- ◆ Rechargez complètement la batterie.
- ◆ Rangez l'outil dans un endroit sûr et sec. La température de stockage doit toujours être comprise entre +10 °C et +40 °C.
- ◆ Rechargez de nouveau complètement la batterie avant d'utiliser l'outil après un longue période de stockage.

## Protection de l'environnement



Tri sélectif. Les produits et piles/batteries marqués de ce symbole ne doivent pas être jetés avec les déchets ménagers.

Les produits et les piles/batteries contiennent des matières qui peuvent être récupérées et recyclées afin de réduire la demande en matières premières.

Veillez à recycler les produits électriques et les piles/batteries conformément aux prescriptions locales en vigueur. Pour plus d'informations, consultez le site [www.2helpU.com](http://www.2helpU.com)

## Caractéristiques techniques

		GSL200	GSL300	GSL700
Tension	V <sub>CC</sub>	3,6	3,6	7,0
Nombre de montée-descente de lame (sans charge)	min <sup>-1</sup>	850	850	850
Longueur de la lame (taille-herbe)	cm	10	-	10
Écartement de la lame (taille-herbe)	mm	23	-	23
Longueur de la lame (sculpte-haie)	cm	-	15	15
Écartement de la lame (sculpte-haie)	mm	-	8	8
Temps de freinage de la lame	s	< 1	< 1	< 1
Poids	kg	0,65	0,65	0,65

Chargeur		
Tension d'entrée	V <sub>CA</sub>	230
Tension de sortie	V <sub>CC</sub>	15V
Courant	mA	150mA
Temps de charge approx.	h	10h
Poids	kg	0.15

Niveau de pression sonore selon la norme EN 62841 :

Pression sonore (L<sub>pa</sub>) 75 dB(A), incertitude (K) 3 dB(A)

Puissance sonore (L<sub>WA</sub>) 84 dB(A), incertitude (K) 3 dB(A)

Valeurs totales des vibrations (somme vectorielle triaxiale) selon la norme EN 62841 :

(a<sub>w</sub>) 2,5 m/s<sup>2</sup>, incertitude (K) 1,5 m/s<sup>2</sup>

## DIRECTIVES MACHINES DIRECTIVE RELATIVE AUX NUISANCES SONORES EXTÉRIEURES



GSL200, GSL300, GSL700 - Taille-herbe/Sculpte-haie

Black & Decker déclare que les produits décrits dans les "Caractéristiques techniques" sont en conformité avec : 2006/42/CE et EN 62841-1:2015 + A11:2022, EN 62841-4-2:2019, EN IEC 62841-4-5:2021+A11:2021 Niveau de puissance sonore selon la norme 2000/14/CE (Article 13, Annexe III) :

L<sub>WA</sub> (pression acoustique mesurée) 84 dB(A)  
Incertitude = 3 dB(A)

L<sub>WA</sub> (pression sonore garantie) 87 dB(A)

Ces produits sont également conformes aux directives 2014/30/UE et 2011/65/UE.

Pour plus de précisions, veuillez contacter Black & Decker à l'adresse qui suit ou consulter le dos de la présente notice. Le soussigné est responsable de la compilation du dossier technique il fait cette déclaration au nom de Black & Decker.

Patrick Diepenbach  
General Manager, Benelux  
Black & Decker,  
Egide Walschaertsstraat 14-18  
2800 Mechelen, Belgique  
03/08/2022

## Garantie

Black & Decker est sûr de la qualité de ses produits et offre une garantie de 24 mois à ses clients, à partir de la date d'achat. Cette garantie s'ajoute à vos droits légaux auxquels elle ne porte aucunement préjudice.

Cette garantie est valable au sein des territoires des états membres de l'Union européenne et au sein de la zone européenne de libre-échange et le Royaume-Uni.

Pour prétendre à la garantie, la réclamation doit être conforme aux conditions générales de Black & Decker et vous devez fournir une preuve d'achat au vendeur ou au réparateur agréé. Les conditions générales de la garantie de 2 ans Black&Decker ainsi que l'adresse du réparateur agréé le plus proche sont disponibles sur le site Internet [www.2helpU.com](http://www.2helpU.com) ou en contactant votre agence Black & Decker locale à l'adresse indiquée dans la présente notice.

Consultez notre site Internet [www.blackanddecker.co.uk](http://www.blackanddecker.co.uk) pour enregistrer votre nouveau produit Black & Decker et pour être tenu informé des nouveautés et des offres spéciales.

## Uso previsto

Il vostro tosaerba/potatore BLACK+DECKER™ GSL200, GSL300, GSL700 è stato progettato per il taglio di erba, siepi, cespugli e rovi. Questo utensile è destinato esclusivamente all'uso privato.

Il caricabatterie BLACK+DECKER è stato progettato per caricare le batterie BLACK+DECKER fornite con questo elettro utensile.

## Istruzioni di sicurezza

### Avvertenze di sicurezza generali per gli elettro utensili



**Avvertenza! Leggere attentamente tutte le avvertenze, istruzioni, illustrazioni e specifiche fornite con l'elettro utensile.** La mancata osservanza delle istruzioni seguenti può dar luogo a scosse elettriche, incendi e/o lesioni gravi.

### Conservare tutte le avvertenze e le istruzioni per riferimenti futuri.

Il termine "elettro utensile" utilizzato in tutte le avvertenze elencate di seguito fa riferimento sia agli utensili alimentati tramite una rete elettrica (con cavo) che agli utensili elettrici a batteria (senza cavo).

#### 1. Sicurezza dell'area di lavoro

- a. **Mantenere pulita e bene illuminata l'area di lavoro.** Gli ambienti disordinati o scarsamente illuminati favoriscono gli incidenti.

- b. **Evitare di usare gli elettro utensili in ambienti esposti a rischio di esplosione, ad esempio in presenza di liquidi, gas o polveri infiammabili.** Gli elettro utensili generano scintille che potrebbero incendiare polveri o fumi.
- c. **Durante l'uso di un elettro utensile, tenere lontani i bambini e le altre persone presenti.** Eventuali distrazioni possono provocare la perdita di controllo.

#### 2. Sicurezza elettrica

- a. **Le spine dell'elettro utensile devono essere adatte alla presa di corrente. Non modificare la spina in alcun modo. Non utilizzare spine con adattatore con un elettro utensile dotato di messa a terra.** Per ridurre il rischio di scosse elettriche evitare di modificare le spine e utilizzare sempre le prese di corrente appropriate.
- b. **Evitare il contatto fisico con superfici collegate a terra, come tubi, radiatori, forni e frigoriferi.** Se il corpo dell'utilizzatore è collegato a terra, il rischio di scosse elettriche aumenta.
- c. **Non esporre gli elettro utensili alla pioggia o all'umidità.** Se dovesse penetrare dell'acqua all'interno dell'elettro utensile, il rischio di scossa elettrica aumenta.
- d. **Non utilizzare il cavo di alimentazione in modo improprio. Non spostare, tirare o scollegare mai l'elettro utensile dalla presa di corrente tirandolo dal cavo di alimentazione. Tenere il cavo di alimentazione lontano da fonti di calore, olio, bordi taglienti o parti in movimento.** Se il cavo di alimentazione è danneggiato o impigliato, il rischio di scosse elettriche aumenta.
- e. **Se l'elettro utensile viene utilizzato all'aperto, usare esclusivamente prolunghie omologate per l'impiego all'esterno.** L'uso di un cavo di alimentazione idoneo per esterni riduce il rischio di scossa elettrica.
- f. **Se non è possibile evitare di utilizzare un elettro utensile in una zona umida, collegarsi a una rete elettrica protetta da un interruttore differenziale salvavita (RCD).** L'uso di un RCD riduce il rischio di scosse elettriche.

#### 3. Sicurezza personale

- a. **È importante concentrarsi su ciò che si sta facendo e maneggiare con giudizio l'elettro utensile. Non utilizzare l'elettro utensile quando si è stanchi o sotto l'effetto di sostanze stupefacenti, alcool o medicinali.** Un solo attimo di distrazione durante l'uso dell'elettro utensile potrebbe provocare gravi lesioni alle persone.
- b. **Indossare dispositivi di protezione individuale. Indossare sempre occhiali di sicurezza.** L'uso di dispositivi di protezione, quali mascherine antipolvere, scarpe antinfortunistiche antiscivolo, elmetti di sicurezza o protezioni per l'udito, in condizioni opportune consente di ridurre le lesioni personali.

- c. Prevenire l'avvio involontario. Accertarsi che l'interruttore sia nella posizione di spegnimento, prima di collegare l'elettrotensile alla rete elettrica e/o alla batteria, di prenderlo in mano o di trasportarlo.** Per non esporsi al rischio di incidenti, non trasportare l'elettrotensile tenendo le dita sull'interruttore e non collegarlo a una fonte di alimentazione elettrica con l'interruttore in posizione di accensione.
- d. Prima di accendere l'elettrotensile, rimuovere eventuali chiavi o utensili di regolazione.** Un utensile di regolazione o una chiave fissati a una parte rotante dell'elettrotensile possono provocare lesioni personali.
- e. Non sbilanciarsi. Mantenere sempre un appoggio e un equilibrio adeguati.** In tal modo è possibile mantenere un migliore controllo dell'elettrotensile nelle situazioni impreviste.
- f. Vestirsi in modo adeguato. Non indossare abiti larghi o gioielli. Tenere i capelli, gli indumenti e i guanti lontano dalle parti mobili.** Abiti non aderenti, gioielli o capelli lunghi possono impigliarsi nelle parti in movimento.
- g. Se gli elettrotensili sono provvisti di attacchi per il collegamento di dispositivi di aspirazione o di raccolta della polvere, assicurarsi che questi ultimi siano installati e utilizzati correttamente.** L'impiego di dispositivi di aspirazione delle polveri può ridurre i pericoli legati alle stesse.
- h. Non lasciare che la familiarità acquisita dall'uso frequente degli elettrotensili induca a cedere alla tentazione di ignorare i principi di utilizzo sicuro degli stessi.** Un'azione imprudente potrebbe provocare lesioni personali gravi in una frazione di secondo.
- 4. Uso e cura dell'elettrotensile**
- a. Non forzare l'elettrotensile. Utilizzare l'elettrotensile corretto per il lavoro da eseguire.** L'elettrotensile corretto funziona meglio e in modo più sicuro, se utilizzato alla velocità per cui è stato progettato.
- b. Non usare l'elettrotensile se l'interruttore di accensione/spegnimento non funziona.** Qualsiasi elettrotensile che non possa essere controllato tramite l'interruttore è pericoloso e deve essere riparato.
- c. Scollegare la spina dalla presa di corrente e/o il pacco batteria dall'elettrotensile, prima di effettuare qualsiasi tipo di regolazione, cambiare gli accessori o riporlo.** Queste misure di sicurezza preventive riducono il rischio di azionare accidentalmente l'elettrotensile.
- d. Quando non vengono usati, gli elettrotensili devono essere custoditi fuori dalla portata dei bambini. Non consentire l'uso dell'elettrotensile a persone inesperte o che non abbiano letto questo manuale di istruzioni.** Gli elettrotensili sono pericolosi in mano a persone inesperte.
- e. Sottoporre gli elettrotensili a regolare manutenzione.** Verificare che le parti mobili siano correttamente allineate e non inceppate, che non vi siano componenti rotti e che non sussistano altre condizioni che possano compromettere il funzionamento dell'elettrotensile. Se l'elettrotensile è danneggiato, farlo riparare prima dell'uso. Molti incidenti sono provocati da elettrotensili non sottoposti a una corretta manutenzione.
- f. Mantenere affilati e puliti gli utensili da taglio.** La manutenzione corretta degli utensili da taglio con bordi affilati riduce le probabilità di inceppamento e ne facilita il controllo.
- g. Utilizzare l'elettrotensile, gli accessori, le punte, ecc. in conformità a queste istruzioni, tenendo conto delle condizioni operative e del lavoro da eseguire.** L'utilizzo dell'elettrotensile per impieghi diversi da quelli previsti può dare luogo a situazioni di pericolo.
- h. Mantenere le impugnature e le superfici di presa asciutte, pulite e senza tracce di olio o grasso.** Impugnature e superfici di presa scivolose non consentono di maneggiare e controllare in modo sicuro l'elettrotensile nel caso di imprevisti.
- 5. Uso e cura della batteria dell'elettrotensile**
- a. Ricaricare la batteria esclusivamente con il caricabatterie specificato dal produttore.** Un caricabatterie adatto a un determinato tipo di pacco batteria può provocare il rischio di incendio se utilizzato con un pacco batteria diverso.
- b. Usare gli elettrotensili esclusivamente con i pacchi batteria specificamente progettati per gli stessi.** L'impiego di pacchi batteria di tipo diverso potrebbe comportare il rischio di lesioni alle persone e incendio.
- c. Quando il pacco batteria non viene usato tenerlo lontano da altri oggetti metallici tipo graffette, monete, chiavi, chiodi, viti o altri oggetti metallici di piccole dimensioni, che potrebbero cortocircuitare un morsetto con l'altro.** Se i morsetti della batteria vengono cortocircuitati potrebbero provocare ustioni o un incendio.
- d. In condizioni di uso improprio, dalla batteria potrebbe fuoriuscire del liquido. Evitare di toccarlo. In caso di contatto accidentale, sciacquare la pelle con abbondante acqua. Se il liquido dovesse entrare a contatto con gli occhi, rivolgersi anche a un medico.** Il liquido che fuoriesce dalla batteria può causare irritazioni o ustioni.
- e. Non utilizzare un pacco batteria o un elettrotensile se danneggiati o modificati.** Le batterie danneggiate o modificate potrebbero manifestare un comportamento imprevedibile, con la possibilità di causare un'esplosione o un incendio.
- f. Non esporre un pacco batteria o un elettrotensile al fuoco o a temperature eccessivamente elevate.** L'esposizione al fuoco o a una temperatura superiore a 130°C potrebbe provocare un'esplosione.

- g. **Seguire tutte le istruzioni per la carica e non caricare il pacco batteria o l'elettrotensile a una temperatura che non rientri nell'intervallo di valori specificato nelle istruzioni.** Una ricarica effettuata in maniera scorretta o a una temperatura che non rientra nell'intervallo di valori specificato, potrebbe danneggiare la batteria aumentando il rischio d'incendio.
6. **Assistenza**
- a. **Fare riparare l'elettrotensile esclusivamente da personale specializzato e solo utilizzando pezzi di ricambio originali.** In questo modo viene garantita la sicurezza dell'elettrotensile.
- b. **Non riparare pacchi batteria danneggiati.** Gli interventi di riparazione sui pacchi batteria devono essere eseguiti dal produttore o da fornitori di assistenza autorizzati.

## Avvertenze di sicurezza aggiuntive per gli elettrotensili



**Avvertenza!** Ulteriori avvertenze di sicurezza valide per i tagliasiepi

- ◆ **Tenere tutte le parti del corpo lontano dalle lame. Non rimuovere il materiale tagliato o tenere fermo il materiale da tagliare quando le lame sono in movimento. Assicurarsi che l'interruttore sia in posizione di spegnimento durante la rimozione del materiale inceppato.** Un solo attimo di distrazione durante l'uso del tagliasiepi può causare gravi lesioni personali.
- ◆ **Trasportare il tagliasiepi tenendolo dall'impugnatura, con la lama ferma. Quando si trasporta o si ripone il tagliasiepi montare sempre il copri-dispositivo di taglio.** Un utilizzo corretto del tagliasiepi riduce il rischio di lesioni personali causate dalle lame.
- ◆ **Durante il trasporto o quando si ripone il tagliasiepi infilare sempre il coprilama.** Una manipolazione corretta del tagliasiepi riduce il rischio di lesioni personali causate dalle lame.
- ◆ **Durante la rimozione di materiale inceppato o durante la manutenzione dell'unità assicurarsi che tutti gli interruttori di accensione siano disattivati e che il cavo di alimentazione sia scollegato.** L'attivazione accidentale del tagliasiepi durante la rimozione di materiale inceppato o l'esecuzione di interventi di manutenzione su di esso può provocare lesioni personali gravi.
- ◆ **Afferrare il tagliasiepi solo dalle superfici di presa isolate, dato che la lama potrebbe toccare accidentalmente fili elettrici nascosti o il cavo di alimentazione.**

Se le lame dovessero venire a contatto con un cavo sotto tensione trasmetterebbero la corrente elettrica anche alle parti metalliche esposte del tagliasiepi, con il pericolo di provocare la folgorazione dell'utilizzatore.

- ◆ **Mantenere tutti i fili elettrici e i cavi di alimentazione lontani dall'area di taglio.** Fili elettrici o cavi di alimentazione potrebbero essere nascosti in cespugli o siepi ed essere tagliati accidentalmente dalla lama.
- ◆ **Non utilizzare il tagliasiepi in caso di maltempo, soprattutto quando vi è il rischio di fulmini.** In tal modo si riduce il rischio di essere colpiti da un fulmine.
- ◆ **L'uso previsto è indicato in questo manuale di istruzioni.**  
Se questo elettrotensile viene usato con accessori o per usi diversi da quelli raccomandati nel presente manuale, si potrebbero verificare lesioni a persone e/o danni alle cose.
- ◆ Se non si è mai usato un tagliasiepi prima d'ora, è preferibile chiedere a un utilizzatore esperto una dimostrazione pratica oltre a studiare il presente manuale.
- ◆ Non toccare mai le lame quando l'elettrotensile è acceso.
- ◆ Non tentare mai di arrestare le lame in modo forzato.
- ◆ Non appoggiare l'elettrotensile fino a quando le lame non si sono fermate completamente.
- ◆ Controllare regolarmente che le lame non siano danneggiate e usurate. Non utilizzare l'elettrotensile se le lame sono danneggiate.
- ◆ Prestare attenzione a evitare oggetti duri (ad esempio filo metallico o inferriate) durante il taglio.  
Se si dovesse accidentalmente colpire un oggetto di questo tipo, spegnere immediatamente l'elettrotensile e controllare se ha subito danni.
- ◆ Se l'elettrotensile dovesse cominciare a vibrare in modo anomalo, spegnerlo immediatamente e controllare se presenta dei danni.
- ◆ Se l'elettrotensile si blocca, spegnerlo immediatamente.
- ◆ Dopo l'uso, infilare sulle lame la guaina fornita in dotazione. Riporre l'elettrotensile, verificando che la lama non sia esposta.
- ◆ Controllare sempre che tutte le protezioni siano montate quando si usa l'elettrotensile. Non tentare mai di usare un elettrotensile non completo o che abbia subito modifiche non autorizzate.
- ◆ Non permettere mai ai bambini di usare l'elettrotensile.
- ◆ Essere consapevoli della possibilità di caduta dei pezzi tagliati dai lati più alti di una siepe.

## Avvertenze di sicurezza per cesoie tosaerba:

- ◆ **Non utilizzare le cesoie tosaerba in caso di maltempo, soprattutto quando vi è il rischio di fulmini.** In tal modo si riduce il rischio di essere colpiti da un fulmine.
- ◆ **Mantenere tutti i fili elettrici e i cavi di alimentazione lontani dall'area di taglio.**

Fili elettrici o cavi di alimentazione potrebbero essere nascosti ed essere tagliati accidentalmente dalla lama.

- ◆ **Utilizzare protezioni acustiche.** Un adeguato equipaggiamento di protezione ridurrà il rischio di perdita dell'udito.
- ◆ **Afferrare le cesoie tosaerba solo dalle superfici di presa isolate, dato che la lama potrebbe venire a contatto con cavi nascosti.** Se le lame dovessero venire a contatto con un cavo sotto tensione trasmetterebbero la corrente elettrica anche alle parti metalliche esposte delle cesoie, con il pericolo di provocare la folgorazione dell'utilizzatore.
- ◆ **Tenere tutte le parti del corpo lontano dalle lame. Non rimuovere il materiale tagliato o tenere fermo il materiale da tagliare quando le lame sono in movimento. Le lame continuano a girare dopo lo spegnimento dell'interruttore.** Un solo attimo di distrazione durante l'uso delle cesoie tosaerba può causare gravi lesioni personali.
- ◆ **Durante la rimozione di materiale inceppato o durante la manutenzione delle cesoie tosaerba, assicurarsi che l'interruttore di accensione sia disattivato e che il blocco di sicurezza sia in posizione di blocco.** L'attivazione accidentale delle cesoie tosaerba durante la rimozione di materiale inceppato o l'esecuzione di interventi di manutenzione su di esso può provocare lesioni personali gravi.
- ◆ **Trasportare le cesoie tosaerba tenendole per l'impugnatura con la lama ferma e facendo attenzione a non azionare l'interruttore di accensione.** Un trasporto corretto delle cesoie tosaerba riduce il rischio di accensioni accidentali e lesioni personali causate dalle lame.
- ◆ **Durante il trasporto o quando si ripongono le cesoie tosaerba, infilare sempre il coprilama.** Una manipolazione corretta delle cesoie tosaerba riduce il rischio di lesioni personali causate dalle lame.

## Avvertenze di sicurezza aggiuntive per gli elettrotensili



**Avvertenza!** Ulteriori avvertenze di sicurezza valide per le cesoie tosaerba e sfoltrirami

- ◆ Non consentire l'uso dell'elettrotensile ai bambini o a persone adulte inesperte che non abbiano letto queste istruzioni d'uso. Le normative vigenti a livello locale possono imporre un limite di età per l'operatore.
- ◆ Ricordare che l'utilizzatore è responsabile di eventuali rischi o incidenti che coinvolgono terzi o i loro beni.
- ◆ Non usare mai l'elettrotensile su sono presenti altre persone, in modo particolare bambini, o animali domestici, nelle vicinanze.

- ◆ Usare l'elettrotensile solo di giorno o con una buona luce artificiale.
- ◆ Verificare sempre che le feritoie di ventilazione siano mantenute pulite e libere da detriti.
- ◆ Usare solo ricambi e accessori consigliati dal produttore.
- ◆ Ispezionare e sottoporre regolarmente a manutenzione l'elettrotensile. Far riparare l'elettrotensile esclusivamente da un tecnico autorizzato.

## Sicurezza altrui

- ◆ Questo elettrotensile può essere usato da bambini dagli 8 anni in su e da persone portatrici di handicap fisici, psichici o sensoriali o che non possiedono la dovuta esperienza o conoscenza, purché siano seguiti o opportunamente istruiti sull'uso sicuro e comprendano i pericoli inerenti.
- ◆ Non lasciare che i bambini giochino con l'elettrotensile. Gli interventi di pulizia e di manutenzione da parte dell'utilizzatore non devono essere eseguiti da bambini senza supervisione.

## Vibrazione

I valori di emissione di vibrazione dichiarati nella sezione "Dati tecnici" e nella Dichiarazione di conformità di questo manuale sono stati misurati in base al metodo di prova standard previsto dalla normativa EN 62841 e possono essere usati come parametri di confronto tra due elettrotensili.

Il valore di emissione di vibrazione dichiarato può anche essere usato per una valutazione preliminare dell'esposizione.

**Avvertenza!** Il valore di emissione di vibrazioni durante l'impiego effettivo dell'elettrotensile può differire da quello dichiarato a seconda delle modalità d'uso. Il livello di vibrazione potrebbe aumentare oltre quello dichiarato. Quando si valuta l'esposizione a vibrazioni per determinare le misure di sicurezza richieste dalla Direttiva 2002/44/CE destinata alla protezione delle persone che utilizzano regolarmente elettrotensili per lo svolgimento delle proprie mansioni, è necessario prendere in considerazione le condizioni effettive di utilizzo e il modo in cui l'elettrotensile viene usato, oltre che tenere conto di tutte le componenti del ciclo operativo, vale a dire i periodi in cui l'elettrotensile rimane spento, quelli in cui è acceso ma fermo e quelli in cui viene effettivamente utilizzato.

## Etichette sull'elettrotensile

Sull'elettrotensile compaiono i seguenti pittogrammi, insieme al codice data:



**Avvertenza!** Per ridurre il rischio di lesioni personali, leggere attentamente il manuale d'istruzioni.



Indossare occhiali di sicurezza quando si usa l'elettrotensile.



Non esporre l'elettrotensile alla pioggia o a un'umidità intensa.



Prestare attenzione alle lame taglienti. Le lame continuano a girare dopo lo spegnimento del motore.



Prestare attenzione agli oggetti scagliati in aria. Mantenere le persone presenti a debita distanza.



**Pericolo!** Tenere le mani lontane dalla lama



Apparecchio di classe III.



Livello di pressione acustica garantito ai sensi della Direttiva 2000/14/CE.

## Istruzioni di sicurezza aggiuntive per batterie e caricabatterie

### Batterie

- ◆ Non tentare mai di aprire la batteria per alcun motivo.
- ◆ Non lasciare che le batterie si bagnino.
- ◆ Non riporre le batterie in luoghi dove la temperatura potrebbe superare 40 °C.
- ◆ Caricare solo a temperature ambiente comprese tra 10 °C e 40 °C.
- ◆ Caricare le batterie solo usando il caricabatterie fornito con l'elettrotensile. L'uso del caricabatterie sbagliato potrebbe causare scosse elettriche o il surriscaldamento della batteria.
- ◆ Per lo smaltimento delle batterie, seguire le istruzioni fornite alla sezione "Tutela ambientale".
- ◆ Non danneggiare/deformare il pacco batteria forandolo o colpendolo, per evitare il rischio di lesioni personali o di incendio.
- ◆ Non caricare le batterie danneggiate.
- ◆ In condizioni estreme, si potrebbe verificare la perdita di liquido dalle batterie. Se si nota la presenza di liquido sulle batterie, pulirle con attenzione con uno straccio. Evitare il contatto con la pelle.
- ◆ In caso di contatto con la pelle o gli occhi, seguire le istruzioni riportate di seguito.

**Avvertenza!** Il liquido delle batterie può causare lesioni a persone o danni materiali. In caso di contatto con la pelle, risciacquare immediatamente con acqua. In caso di arrossamento, dolore o irritazione, rivolgersi immediatamente a un medico. In caso di contatto con gli occhi, risciacquarli immediatamente con acqua pulita e consultare un medico.

### Caricabatterie

Il caricabatterie è stato progettato per una tensione specifica. Verificare sempre che la tensione di rete corrisponda a quella indicata sulla targhetta dei valori nominali.

**Avvertenza!** Non tentare mai di sostituire il caricabatterie con una spina elettrica tradizionale.

- ◆ Usare il caricabatterie BLACK+DECKER solo per caricare la batteria dell'apparecchio con il quale è stato fornito. Tipi diversi di batterie potrebbero scoppiare, provocando lesioni personali e danni materiali.
- ◆ Non tentare mai di caricare batterie non ricaricabili.
- ◆ In caso di danneggiamento del cavo di alimentazione, farlo riparare dal produttore o presso un Centro di assistenza BLACK+DECKER autorizzato, in modo da evitare pericoli.
- ◆ Non lasciare che il caricabatterie si bagni.
- ◆ Non aprire il caricabatterie.
- ◆ Non collegare il caricabatterie a sonde.
- ◆ L'elettrodomestico/elettrotensile/la batteria devono essere lasciati in una zona ben ventilata durante la carica.



Il caricabatterie è destinato esclusivamente all'uso in ambienti interni.



Leggere questo manuale d'istruzioni prima dell'uso.

### Sicurezza elettrica



Il doppio isolamento di cui è provvisto il caricabatterie rende superfluo il filo di terra. Verificare sempre che la tensione di rete corrisponda a quella indicata sulla targhetta dei valori nominali.

- ◆ In caso di danneggiamento del cavo di alimentazione, farlo riparare dal produttore o presso un Centro di assistenza BLACK+DECKER autorizzato, in modo da evitare pericoli.

**Avvertenza!** Non tentare mai di sostituire il caricabatterie con una spina elettrica tradizionale.

### Caratteristiche

1. Interruttore di accensione/spegnimento
2. Pulsante di blocco di sicurezza
3. Pulsante di rilascio lama
4. Lama della cesoia (GSL200/GSL700)
5. Lama tagliasiepi (GSL300/GSL700)
6. Indicatore di carica

### Assemblaggio

**Avvertenza!** Durante l'assemblaggio evitare l'avviamento accidentale dell'elettrotensile.



## Fissaggio al muro del supporto a parete (Figg. A e B)

Il supporto a parete può essere fissato al muro offrendo un comodo punto di appoggio e di carica per l'elettrotensile.

- ◆ Inserire le viti nel muro attraverso i fori presenti nelle fessure del supporto a parete.
- ◆ Posizionare l'elettrotensile sul supporto a parete.
- ◆ Collegare il caricabatterie alla presa di corrente e assicurarsi che l'indicatore di carica in corso (6) si illumini (Fig. A).
- ◆ Se necessario, utilizzare i due perni (7) sotto il supporto a parete per riporre la lama di scorta (Fig. B).

**Avvertenza!** Nel fissare al muro il supporto a parete evitare di danneggiare il cavo di alimentazione.

## Rimozione della spina caricabatterie dal supporto a parete (Fig. C)

Questo elettrotensile può essere caricato senza utilizzare il supporto a parete. La spina caricabatterie può essere collegata direttamente all'elettrotensile.

- ◆ Togliere le viti dal retro del supporto a parete.
- ◆ Fare scorrere la parte posteriore (8) sulla parte anteriore (9) per aprire il supporto a parete.
- ◆ Rimuovere la spina caricabatterie dal supporto a parete.

## Montaggio e rimozione della lama (Figg. D ed E)

La lama della cesoia (4) è stata concepita per il taglio di erba e malerba. La lama tagliasiepi (5) è stata concepita per il taglio di siepi e cespugli.

- ◆ Rimuovere il coprilama.
- ◆ Spingere e tenere premuto il pulsante di rilascio della lama (3) nella direzione della freccia (Fig. D1).
- ◆ Fare scorrere indietro il coprilama (10) e rimuoverlo (Fig. D2).
- ◆ Abbassare la lama sui perni.
- ◆ Mantenendo la lama sui perni (fig. E1), riposizionare il coprilama (10) e farlo scorrere in avanti (Fig. E2).

**Nota:** non è necessario l'allineamento della lama con il perno di azionamento e non è necessario azionare il pulsante di rilascio del coprilama quando si rimonta il coprilama.

## Uso

**Avvertenza!** Lasciare che l'elettrotensile funzioni al proprio ritmo. Non sovraccaricarlo.

## Carica della batteria

La batteria deve essere caricata prima dell'impiego iniziale e quando non eroga una potenza sufficiente per svolgere lavori che prima era possibile eseguire facilmente. Quando si carica la batteria per la prima volta o dopo un lungo periodo di inutilizzo, è possibile caricarla solo dell'80%. Dopo vari cicli di carica e scarica, la batteria raggiungerà la massima capacità. Durante la carica, la batteria potrebbe riscaldarsi.

Si tratta di un fatto normale che non indica la presenza di un problema.

**Avvertenza!** Non ricaricare la batteria a temperature ambientali inferiori a 10 °C o superiori a 40 °C. La temperatura di ricarica raccomandata è di circa 24 °C. L'elettrodomestico può essere lasciato collegato indefinitamente all'alimentatore.

Per massimizzare la vita utile della batteria si raccomanda di lasciare la batteria collegata al caricabatterie quando l'elettrotensile non è in uso. Quando la batteria è completamente carica il consumo di corrente del caricabatterie è trascurabile.

## Carica mediante l'attacco a muro (Fig. F)

- ◆ Posizionare l'elettrotensile sul supporto a parete (11).
- ◆ Collegare il caricabatterie alla presa di corrente.

## Carica mediante la spina del caricabatterie (Fig. G)

Nella spina del caricabatterie sono presenti dei blocchi per evitare l'uso di caricabatterie non corretti.

- ◆ Inserire la spina del caricabatterie (12) nel rispettivo connettore situato nella parte posteriore dell'elettrotensile.
- ◆ Collegare il caricabatterie alla presa di corrente.

## GSL700- Carica della batteria

- ◆ Caricare la batteria.

Mentre la batteria si sta caricando l'indicatore di carica in corso (6) lampeggia. Una volta completata la carica l'indicatore di carica in corso smette di lampeggiare.

## GSL200/GSL300 - Carica della batteria

- ◆ Caricare la batteria.

Mentre la batteria si sta caricando l'indicatore di carica in corso (6) lampeggia. Una volta completata la carica l'indicatore di carica in corso smette di lampeggiare.

L'indicatore di carica in corso lampeggia rapidamente in presenza di un errore nel processo di carica. Quando si verifica un problema di carica, collegare l'elettrotensile direttamente alla spina del caricabatterie rimuovendo il supporto a parete. Se il problema di carica persiste il caricabatterie deve essere scollegato dalla rete elettrica e portato in un centro di assistenza autorizzato per la riparazione.

## Accensione e spegnimento (Fig. H)

### Accensione

- ◆ Tenere premuto il pulsante di blocco di sicurezza (2) a destra o a sinistra, quindi premere l'interruttore di accensione/spegnimento (1).
- ◆ Rilasciare il pulsante di blocco di sicurezza.

## Spegnimento

- ◆ Rilasciare l'interruttore di accensione/spegnimento (1).

**Avvertenza!** Non tentare mai di bloccare l'interruttore nella posizione di accensione ("ON").

## Suggerimenti per un utilizzo ottimale (Figg. I e J)

- ◆ Spruzzare sulle lame un leggero film di olio per impieghi generici prima di utilizzare la cesoia la prima volta e ogniqualvolta le lame appaiono asciutte.

## Taglio dell'erba

- ◆ Per ottenere risultati di taglio ottimali tagliare l'erba solo quando secco.
- ◆ Sorreggere l'elettrotensile come illustrato nella fig. I. Tenere l'altra mano ben lontana dalla lama. Mantenere una posizione di lavoro ben stabile per evitare di scivolare. Non sporgersi troppo.
- ◆ Quando si taglia l'erba lunga, lavorare a più riprese dall'alto.
- ◆ Eseguire dei tagli di piccola entità.
- ◆ Tenere l'elettrotensile lontano da oggetti duri e piante delicate.
- ◆ Se l'elettrotensile inizia a funzionare lentamente, ridurre il carico.
- ◆ Per eseguire un taglio più ravvicinato, inclinare leggermente l'elettrotensile.

## Taglio delle siepi

- ◆ Inclinare leggermente l'elettrotensile (al massimo 15° rispetto alla linea di taglio) in modo che le punte della lama puntino leggermente verso la siepe (Fig. J). In questo modo le lame potranno eseguire il taglio in modo più efficace.
- ◆ Iniziare a potare la parte superiore della siepe. Tenere l'elettrotensile in base all'angolo desiderato e spostarlo progressivamente lungo la linea di taglio. La lama a doppio taglio permette di potare in una direzione o nell'altra.
- ◆ Per ottenere un taglio molto diritto, tendere un pezzo di corda per l'intera lunghezza della siepe, all'altezza desiderata. Usare la corda come guida, tagliando immediatamente al di sopra.
- ◆ Per ottenere lati della siepe piatti, potare verso l'alto in direzione della crescita. I rami più giovani si spostano verso l'esterno quando la lama taglia verso il basso, lasciando dei vuoti nella siepe.
- ◆ Prestare attenzione a evitare oggetti estranei. Evitare in modo particolare oggetti duri tipo filo metallico e inferriate, dato che potrebbero danneggiare le lame.
- ◆ Oliare regolarmente le lame.

## Indicazioni per la potatura (Regno Unito e Irlanda)

- ◆ Potare siepi e cespugli con foglie stagionali (foglie nuove ogni anno) in giugno e in ottobre.
- ◆ Potare i sempreverdi in aprile e agosto.
- ◆ Potare le conifere e altri cespugli a crescita rapida ogni sei settimane, da maggio fino a ottobre.

## Consigli per la potatura (Australia e Nuova Zelanda)

- ◆ Potare siepi e cespugli con foglie stagionali (foglie nuove ogni anno) in dicembre e marzo.
- ◆ Potare i sempreverdi in settembre e in febbraio.
- ◆ Potare le conifere e altri cespugli a crescita rapida ogni sei settimane, da ottobre fino a marzo.

## Manutenzione

Questo apparecchio/elettrotensile BLACK+DECKER, con o senza cavo, è stato progettato per funzionare a lungo con una manutenzione minima. Prestazioni sempre soddisfacenti dipendono da una cura appropriata e da una pulizia regolare.

**Avvertenza!** Prima di eseguire interventi di manutenzione su elettrotensili con o senza cavo procedere come descritto di seguito.

- ◆ Spegnerne e scollegare l'apparecchio/elettrotensile dalla presa di corrente.
- ◆ Oppure spegnere ed estrarre la batteria, se l'apparecchio/elettrotensile è dotato una batteria separata.
- ◆ Oppure lasciare scaricare completamente la batteria se è integrata nell'elettrotensile, quindi spegnerlo.
- ◆ Scollegare il caricabatterie dalla presa di corrente prima di pulirlo. Il caricabatterie non richiede alcuna manutenzione, salvo una regolare pulizia.
- ◆ Pulire regolarmente le prese di ventilazione dell'apparecchio/elettrotensile/alimentatore con un pennello o con un panno morbido e asciutto.
- ◆ Pulire periodicamente l'alloggiamento del motore con un panno umido.
- ◆ Non usare detersivi abrasivi o a base di solventi.
- ◆ Aprire regolarmente il mandrino e batterlo leggermente per eliminare la polvere dall'interno (se montato).
- ◆ Dopo l'uso, pulire con attenzione le lame. Dopo la pulizia, stendere un velo di olio per macchinari leggero per impedire alle lame di arrugginarsi.

## Conservazione

Se si prevede che l'elettrotensile non venga usato per mesi, l'ideale sarebbe lasciare la batteria collegata al caricabatterie. In alternativa, procedere come descritto di seguito:

- ◆ Caricare completamente la batteria.
- ◆ Conservare l'elettrotensile in un luogo sicuro e asciutto. La temperatura di conservazione deve rimanere sempre nell'intervallo tra + 10 °C e + 40 °C.

- ◆ Prima di usare l'elettrotensile dopo un lungo periodo di inutilizzo, caricare di nuovo completamente la batteria.

## Tutela ambientale



Effettuare la raccolta differenziata. I prodotti e le batterie contrassegnati con questo simbolo non devono essere smaltiti con i rifiuti domestici normali.

Prodotti e batterie contengono materiali che possono essere recuperati o riciclati, riducendo la domanda di materie prime. Riciclare i prodotti elettrici e le batterie attenendosi alle disposizioni locali vigenti. Ulteriori informazioni sono disponibili online all'indirizzo [www.2helpU.com](http://www.2helpU.com).

## Dati tecnici

		GSL200	GSL300	GSL700
Tensione	$V_{CC}$	3,6	3,6	7,0
Corse della lama (a vuoto)	$\text{min}^{-1}$	850	850	850
Lunghezza delle lame (cesoie)	cm	10	-	10
Distanza tra le lame (tagliaerba)	mm	23	-	23
Lunghezza lama (tagliasiepi)	cm	-	15	15
Distanza tra le lame (sfoltirami)	mm	-	8	8
Tempo di frenatura lama	s	< 1	< 1	< 1
Peso	kg	0,65	0,65	0,65

Caricabatterie		
Tensione in ingresso	$V_{CA}$	230
Tensione erogata	$V_{CC}$	15V
Corrente	mA	150mA
Tempo di carica approssimativo	h	10h
Peso	kg	0.15

Livello di pressione sonora misurato in conformità alla norma EN 62841:	
Pressione sonora ( $L_{pA}$ )	75 dB(A), incertezza (K) 3 dB(A)
Potenza sonora ( $L_{WA}$ )	84 dB(A), incertezza (K) 3 dB(A)

Valori totali di emissione di vibrazione (somma vettore triassiale) in conformità alla norma EN 62841:	
( $a_w$ )	2,5 $\text{m/s}^2$ , incertezza (K) 1,5 $\text{m/s}^2$

## DIRETTIVA MACCHINE DIRETTIVA SULLA RUMOROSITÀ ESTERNA



Cesoio tagliasiepe/Tagliabordi GSL200, GSL300, GSL700

Black & Decker dichiara che i prodotti qui descritti nella sezione "Dati tecnici" sono conformi alle normative: 2006/42/EC e EN 62841-1:2015 + A11:2022, EN 62841-4-2:2019, EN IEC 62841-4-5:2021+A11:2021 Livello di potenza sonora misurato in base alla Direttiva 2000/14/CE

(Articolo 13, Allegato III):

$L_{WA}$  (potenza sonora misurata) 84 dB(A)  
Incertezza = 3 dB(A)

$L_{WA}$  (pressione sonora garantita) 87 dB(A)

Questi prodotti sono conformi alla Direttive 2014/30/UE e 2011/65/UE.

Per ulteriori informazioni, contattare Black & Decker all'indirizzo indicato di seguito oppure consultare l'ultima di copertina del manuale.

Il firmatario è responsabile della compilazione del fascicolo tecnico e rilascia la presente dichiarazione per conto di Black & Decker.

*Patrick Diepenbach*

Patrick Diepenbach  
Direttore generale, Benelux  
Black & Decker,  
Egide Walschaertsstraat 14-18  
2800 Mechelen, Belgio  
03/08/2022

## Garanzia

Black & Decker, certa della qualità dei propri prodotti, offre ai consumatori una garanzia di 24 mesi dalla data di acquisto. Il presente certificato di garanzia è complementare ai diritti legali e non li pregiudica in alcun modo. La garanzia è valida nei territori degli Stati membri dell'Unione Europea o dell'EFTA (Associazione europea di libero scambio) e il Regno Unito. Per attivare la garanzia, il reclamo deve essere effettuato in accordo con i Termini e Condizioni Black&Decker e sarà necessario presentare la prova di acquisto al venditore o all'agente di riparazione autorizzato. I Termini e condizioni della garanzia Black&Decker di 2 anni e la sede del tecnico riparatore autorizzato più vicino sono consultabili su Internet all'indirizzo [www.2helpU.com](http://www.2helpU.com), o contattando l'ufficio Black&Decker di zona all'indirizzo postale indicato in questo manuale.

Visitare il nostro sito [www.blackanddecker.it](http://www.blackanddecker.it) per registrare il prodotto Black&Decker appena acquistato e ricevere gli aggiornamenti su nuovi prodotti e offerte speciali.

## NEDERLANDS

(Vertaling van de originele instructies)

## Bedoeld gebruik

Uw BLACK+DECKER™ GSL200, GSL300, GSL700 schaar/trimmer is ontworpen voor het knippen/trimmen van gras, heggen, struiken en braamstruiken. Dit gereedschap is uitsluitend bestemd voor consumentengebruik.

De lader van BLACK+DECKER is bedoeld voor het opladen van BLACK+DECKER-accu's van het type dat bij dit gereedschap is geleverd.

## Veiligheidsinstructies

### Algemene veiligheidswaarschuwingen voor elektrisch gereedschap



**Waarschuwing! Lees alle veiligheidswaarschuwingen, instructies, illustraties en specificaties die bij dit gereedschap zijn meegeleverd.** Het niet opvolgen van alle onderstaande instructies kan leiden tot een elektrische schok, brand en/of ernstig persoonlijk letsel.

### Bewaar alle waarschuwingen en instructies als referentiemateriaal.

De hierna gebruikte term 'elektrisch gereedschap' in alle waarschuwingen die hieronder worden vermeld, heeft betrekking op elektrisch gereedschap voor gebruik op netspanning (met netsnoer) of met een accu (snoerloos).

#### 1. Veilige werkomgeving

- Houd uw werkomgeving schoon en goed verlicht.** Op rommelige of donkere plekken zullen sneller ongelukken gebeuren.
- Werk niet met elektrisch gereedschap in een omgeving met explosiegevaar, zoals in de nabijheid van brandbare vloeistoffen, gassen of stof.** Elektrisch gereedschap veroorzaakt vonken die het stof of de dampen kunnen doen ontbranden.
- Houd kinderen en omstanders tijdens het gebruik van elektrisch gereedschap op afstand.** Als u wordt afgeleid, kunt u de controle over het gereedschap verliezen.

#### 2. Elektrische veiligheid

- De netstekker van het elektrisch gereedschap moet in het stopcontact passen. Pas de stekker nooit op enige manier aan. Gebruik geen adapterstekkers in combinatie met geaard elektrisch gereedschap.** Niet-aangepaste stekkers en passende contactdozen verminderen het risico van een elektrische schok.
- Vermijd aanraking van het lichaam met geaarde oppervlakken, bijvoorbeeld buizen, verwarmingen, fornuizen en koelkasten.** Er bestaat een verhoogd risico van een elektrische schok als uw lichaam contact heeft met aarde.
- Stel elektrisch gereedschap niet bloot aan regen en vocht.** Als er water in een elektrisch gereedschap dringt, verhoogt dit het risico van een elektrische schok.
- Behandel het snoer voorzichtig. Gebruik het snoer nooit om het elektrisch gereedschap te dragen of naar u toe te trekken, of de stekker uit het stopcontact te halen.** Houd het snoer uit de buurt van warmtebronnen, olie, scherpe randen, of bewegende onderdelen. Beschadigde snoeren of snoeren die in de war zijn geraakt, verhogen het risico van een elektrische schok.
- Gebruik, wanneer u buitenshuis met elektrisch gereedschap werkt, alleen verlengsnoeren die zijn goedgekeurd voor gebruik buitenshuis.** Het gebruik van een verlengsnoer dat geschikt is voor binnen vermindert het risico van een elektrische schok.
- Als u met elektrisch gereedschap werkt op een vochtige locatie, gebruik dan een reststroomschakelaar (RCD).** Het gebruik van een aardlekschakelaar vermindert het risico van een elektrische schok.

#### 3. Persoonlijke veiligheid

- Blijf alert, let goed op wat u doet en ga met verstand te werk bij het gebruik van elektrisch gereedschap. Gebruik elektrisch gereedschap niet als u vermoeid bent of als u onder invloed van drugs, alcohol of medicatie bent.** Een moment van onoplettendheid tijdens het werken met elektrisch gereedschap kan leiden tot ernstig persoonlijk letsel.
- Draag persoonlijke beschermende uitrusting. Draag altijd oogbescherming.** Beschermende uitrusting, zoals een stofmasker, antislip veiligheidsschoenen, een helm, of gehoorbescherming, gebruikt in de juiste omstandigheden, zal het risico op persoonlijk letsel verminderen.
- Vorkom per ongeluk inschakelen. Controleer, voordat u de stekker in het stopcontact steekt en/of de accu plaatst, en voor u het gereedschap oppakt en draagt, dat de schakelaar in de uit-stand staat.** Het dragen van elektrisch gereedschap met uw vinger op de schakelaar of het aanzetten van elektrisch gereedschap waarvan de schakelaar aan staat, kan leiden tot ongelukken.

- d. **Verwijder stelsleutels of steeksleutels voordat u het elektrisch gereedschap inschakelt.** Een steeksleutel of een inbussleutel in een draaiend deel van het elektrisch gereedschap kan tot persoonlijk letsel leiden.
- e. **Reik niet buiten uw macht. Blijf altijd stevig en in balans op de grond staan.** Dit geeft u betere controle over het elektrisch gereedschap in onverwachte situaties.
- f. **Draag geschikte kleding. Draag geen loszittende kleding of sieraden. Houd uw haar, kleding en handschoenen uit de buurt van bewegende onderdelen.** Loszittende kleding, sieraden of lang haar kunnen door bewegende delen worden gegrepen.
- g. **Als voorzieningen voor stofafzuiging of een stofreservoir kunnen worden gemonteerd, controleer dan dat deze zijn aangesloten en op de juiste wijze worden gebruikt.** Het gebruik van stofafzuiging kan aan stof gerelateerde gevaren verminderen.
- h. **Word niet gemakzuchtig doordat u door veelvuldig gebruik vertrouwd bent geraakt met het gereedschap, en verlies niet de veiligheidsbeginselen uit het oog.** Een onvoorzichtige handeling kan in een fractie van een seconde ernstig letsel tot gevolg hebben.
4. **Gebruik en onderhoud van elektrisch gereedschap**
- a. **Overbelast het elektrisch gereedschap niet. Gebruik het juiste elektrisch gereedschap voor uw toepassing.** Met het juiste elektrisch gereedschap kunt u de werkzaamheden waarvoor het gereedschap is ontworpen, beter en veiliger uitvoeren.
- b. **Gebruik het elektrisch gereedschap niet als de schakelaar niet goed werkt.** Ieder elektrisch gereedschap dat niet met de schakelaar kan worden bediend, is gevaarlijk en moet worden gerepareerd.
- c. **Trek de stekker uit het stopcontact en/of de accu uit het elektrisch gereedschap voordat u het gereedschap instelt, accessoires wisselt of het elektrisch gereedschap opbergt.** Dergelijke preventieve veiligheidsmaatregelen verminderen het risico dat het elektrisch gereedschap per ongeluk wordt gestart.
- d. **Bewaar elektrisch gereedschap dat niet wordt gebruikt, buiten bereik van kinderen. Laat personen die er niet vertrouwd mee zijn en deze aanwijzingen niet hebben gelezen niet met het gereedschap werken.** Elektrisch gereedschap is gevaarlijk in handen van ongetrainde gebruikers.
- e. **Onderhoud het gereedschap goed. Controleer dat bewegende delen van het elektrisch gereedschap wel goed functioneren en niet klemmen, en dat er niet onderdelen zodanig zijn gebroken of beschadigd dat de werking van het gereedschap nadelig wordt beïnvloed. Laat het gereedschap voor gebruik repareren als het beschadigd is.** Veel ongelukken worden veroorzaakt door slecht onderhouden elektrisch gereedschap.
- f. **Houd knip- en snijgereedschap scherp en schoon.** Goed onderhouden zaaggereedschap met scherpe snijvlakken loopt minder snel vast en is gemakkelijker onder controle te houden.
- g. **Gebruik elektrisch gereedschap, accessoires, zaagjes en boortjes, enz., volgens deze aanwijzingen. Let daarbij op de werkomstandigheden en de uit te voeren werkzaamheden.** Gebruik van het elektrisch gereedschap voor werkzaamheden die anders zijn dan bedoeld, kan leiden tot een gevaarlijke situatie.
- h. **Houd de handgrepen droog, schoon en vrij van olie en vet.** Gladde handgrepen en hellende oppervlakken maken het moeilijk het gereedschap veilig te hanteren en onder controle te houden in onverwachte situaties.
5. **Gebruik en onderhoud van accugereedschap**
- a. **Laad accu's alleen op met de door de fabrikant aanbevolen lader.** Een lader die geschikt is voor het ene type accu, kan een risico van brand doen ontstaan bij gebruik met een andere accu.
- b. **Gebruik elektrisch gereedschap alleen in combinatie met specifiek vermelde accu's.** Het gebruik van andere accu's kan gevaar voor letsel en brand opleveren.
- c. **Houd de accu, wanneer u deze niet gebruikt, weg bij andere metalen objecten zoals paperclips, munten, sleutels, spijkers, schroeven of andere kleine metalen voorwerpen die een verbinding tot stand kunnen brengen tussen de ene pool en de andere.** Als kortsluiting tussen de polen van de accu wordt gemaakt, kan dit tot brandwonden of brand leiden.
- d. **Wanneer de accu verkeerd wordt behandeld, kan er vloeistof uit de accu spuiten, vermijd contact met deze vloeistof. Als er per ongeluk contact ontstaat, spoel dan met water. Als de vloeistof in de ogen komt, roep dan tevens medische hulp in.** Vloeistof uit de accu kan irritatie en brandwonden veroorzaken.
- e. **Gebruik niet een accu of gereedschap die/dat beschadigd is of waaraan wijzigingen zijn aangebracht.** Beschadigde of gemodificeerde accu's kunnen zich onvoorspelbaar gedragen wat brand, explosie of een risico van letsel met zich mee kan brengen.
- f. **Stel een accu of gereedschap niet bloot aan vuur of uitzonderlijk hoge temperaturen.** Blootstelling aan vuur of een temperatuur boven 130 °C kan explosie tot gevolg hebben.
- g. **Volg alle instructies voor het opladen en laad de accu of het gereedschap niet bij een temperatuur buiten het temperatuurbereik dat wordt opgegeven in de instructies.** Onjuist opladen of opladen bij temperaturen buiten het opgegeven bereik kan de accu beschadigen en het risico van brand vergroten.

**6. Onderhoud**

- a. **Laat het gereedschap alleen repareren door gekwalificeerd en vakkundig personeel en alleen met originele vervangingsonderdelen.** De veiligheid van het gereedschap blijft dan gewaarborgd.
- b. **Voer nooit servicewerkzaamheden uit aan accu's.** Alleen de fabrikant of een geautoriseerd servicecentrum mag servicewerkzaamheden aan accu's uitvoeren.

**Aanvullende veiligheidswaarschuwingen voor elektrisch gereedschap**



**Waarschuwing!** Aanvullende veiligheidswaarschuwingen voor heggenscharen

- ◆ **Houd lichaamsdelen uit de buurt van het maaiblad. Verwijder geen gesneden materiaal en houd niets vast dat moet worden gesneden wanneer de bladen in beweging zijn. Zorg dat de schakelaar uit staat wanneer u vastgelopen materiaal verwijderd.** Een moment van onoplettendheid bij het gebruik van de heggenschaar kan leiden tot ernstige verwondingen.
- ◆ **Houd de heggenschaar bij de handgreep vast terwijl het maaiblad stilstaat. Plaats de afdekkap altijd over de heggenschaar wanneer u de heggenschaar vervoert of opbergt.** Wanneer de heggenschaar op de juiste manier wordt behandeld, verkleint u de kans op persoonlijk letsel door de maaibladen.
- ◆ **Plaats de afdekkap altijd over het maaiblad wanneer u de heggenschaar vervoert of opbergt.** Wanneer de heggenschaar op de juiste manier wordt behandeld, verkleint u de kans op persoonlijk letsel door de maaibladen.
- ◆ **Verzekert dat, wanneer u vastgelopen materiaal losmaakt of onderhoud aan de unit uitvoert, alle aan-uit-schakelaars op uit staan en de stekker uit het stopcontact getrokken is.** Wanneer de heggenschaar onverwacht wordt ingeschakeld tijdens het losmaken van vastgelopen materiaal of het uitvoeren van onderhoud, kan dat leiden tot ernstig letsel.
- ◆ **Houd de heggenschaar alleen vast bij de geïsoleerde greepoppervlakken, omdat het blad met verborgen bedrading of het eigen snoer in aanraking kan komen.** Bevestigingsmateriaal dat in contact komt met bedrading 'onder spanning', kan metalen onderdelen van het gereedschap 'onder spanning' zetten en de gebruiker een elektrische schok geven.
- ◆ **Houd alle netsnoeren en kabels weg van het maaigebied.** Netsnoeren en kabels kunnen door struiken verborgen worden en per ongeluk door het maaiblad worden doorgesneden.
- ◆ **Gebruik de heggenschaar niet bij slechte weersomstandigheden, vooral niet wanneer het risico op onweer bestaat.**

Dan loopt u niet het risico dat u door de bliksem wordt getroffen.

- ◆ **Het bedoeld gebruik wordt beschreven in deze gebruiksaanwijzing.** Het gebruik van andere accessoires of hulpstukken of uitvoering van andere handelingen met dit gereedschap dan die in deze instructiehandleiding worden aanbevolen, kan leiden tot persoonlijk letsel en/of materiële schade.
- ◆ Als u nog nooit een heggenschaar hebt gebruikt, raadpleeg dan deze handleiding maar vraag daarnaast ook advies een ervaren gebruiker.
- ◆ Raak maaibladen nooit aan terwijl het gereedschap is ingeschakeld.
- ◆ Probeer nooit om de messen geforceerd tot stilstand te brengen.
- ◆ Leg het gereedschap pas neer wanneer de messen volledig tot stilstand zijn gekomen.
- ◆ Controleer de messen regelmatig op beschadigingen en slijtage. Het gereedschap mag niet worden gebruikt wanneer de messen beschadigd zijn.
- ◆ Zorg ervoor dat u tijdens het maaien niet in de buurt komt van harde voorwerpen (zoals metalen draden, afraasteringen). Als u per ongeluk op dergelijk materiaal stuit, schakel het gereedschap dan onmiddellijk uit en controleer het op schade.
- ◆ Als het gereedschap abnormaal begint te trillen, schakel het dan onmiddellijk uit en controleer het op beschadigen.
- ◆ Als het gereedschap vastloopt, schakel het dan onmiddellijk uit.
- ◆ Schuif na gebruik de bijgeleverde beschermkap over de messen. Let er, wanneer u het gereedschap opbergt, vooral goed op dat het snijmes niet onbedekt is.
- ◆ Zorg er altijd voor dat alle beschermkappen zijn aangebracht wanneer u het gereedschap gebruikt. Probeer nooit incompleet gereedschap te gebruiken of gereedschap waarop ongeoorloofde wijzigingen zijn aangebracht.
- ◆ Laat kinderen nooit met het gereedschap werken.
- ◆ Let op vallend vuil wanneer u de hogere gedeelten van een heg knipt.

**Veiligheidswaarschuwingen voor grasscharen:**

- ◆ **Gebruik de grasschaar niet bij slechte weersomstandigheden gebruiken, vooral niet wanneer er een risico op onweer bestaat.** Dan loopt u niet het risico dat u door de bliksem wordt getroffen.
- ◆ **Houd alle netsnoeren en kabels weg van het maaigebied.** Netsnoeren en kabels kunnen verborgen zijn en per ongeluk door het maaiblad worden doorgesneden.
- ◆ **Draag gehoorbescherming.** Geschikte beschermende uitrusting zal het risico op gehoorverlies verminderen.

- ◆ **Houd de grasschaar alleen vast bij de geïsoleerde greepoppervlakken, omdat het mes met verborgen bedrading in aanraking kan komen.** Messen die in contact komen met bedrading 'onder spanning', kunnen metalen onderdelen van het gereedschap 'onder spanning' zetten en de gebruiker een elektrische schok geven.
- ◆ **Houd lichaamsdelen uit de buurt van het mes. Verwijder geen gesneden materiaal en houd niets vast dat moet worden gesneden wanneer de bladen in beweging zijn. Nadat het uitschakelen van de motor, blijven de messen nog even in beweging.** Een moment van onoplettendheid bij het gebruik van de grasschaar kan leiden tot ernstige letsels.
- ◆ **Verzeker dat, wanneer u vastgelopen materiaal losmaakt of onderhoud aan de grasschaar uitvoert, de aan/uit-schakelaar uit staat en in de vergrendelde stand staat.** Wanneer de grasschaar onverwacht wordt ingeschakeld tijdens het losmaken van vastgelopen materiaal of het uitvoeren van onderhoud, kan dat leiden tot ernstig letsel.
- ◆ **Draag de grasschaar met de handgreep, met het mes gestopt en let er op dat u de aan/uit-schakelaar niet bedient.** Wanneer de grasschaar op de juiste manier wordt behandeld, zal het risico op persoonlijk letsel door de messen verkleinen.
- ◆ **Plaats de afdekkap altijd wanneer u de grasschaar vervoert of opbergt.** Wanneer de grasschaar op de juiste manier wordt behandeld, zal het risico op persoonlijk letsel door de messen verkleinen.

## Aanvullende veiligheidswaarschuwingen voor elektrisch gereedschap



**Waarschuwing!** Aanvullende veiligheidswaarschuwingen voor scharen

- ◆ Laat nooit mensen die onbekend zijn met deze instructies of kinderen deze machine gebruiken. Plaatselijke voorschriften kunnen eisen aan de leeftijd van de gebruiker stellen.
- ◆ Bedenk dat de gebruiker van het apparaat verantwoordelijk is voor eventuele ongelukken of voor gevaren waaraan andere mensen of hun eigendommen blootstaan.
- ◆ Gebruik de machine nooit als er mensen, in het bijzonder kinderen, of huisdieren in de buurt zijn.
- ◆ Gebruik de machine alleen bij daglicht of goed kunstlicht.
- ◆ Let er altijd op dat de ventilatieopeningen niet belemmerd worden.
- ◆ Gebruik uitsluitend door de fabrikant aanbevolen vervangonderdelen en accessoires.
- ◆ Controleer en onderhoud de machine regelmatig.

Laat de machine alleen repareren door een geautoriseerd servicecentrum.

## Veiligheid van anderen

- ◆ Dit apparaat mag worden gebruikt door kinderen van 8 jaar en ouder en personen die lichamelijk of geestelijk minder valide zijn of die geen ervaring met of kennis van dit apparaat hebben, mits zij onder toezicht staan of instructies krijgen voor een veilig gebruik van het apparaat en de mogelijke gevaren begrijpen.
- ◆ Kinderen mogen niet met het apparaat spelen. Laat kinderen nooit zonder toezicht het gereedschap schoonmaken of onderhouden.

## Trillingen

De aangegeven waarden voor trillingsemisatie in de technische gegevens en de Conformiteitsverklaring zijn gemeten conform een standaardtestmethode die door EN 62841 wordt verstrekt. Hiermee kan het ene gereedschap met het andere worden vergeleken.

De aangegeven waarde voor trillingsemisatie kan ook worden gebruikt bij een voorlopige bepaling van blootstelling.

**Waarschuwing!** De waarde voor trillingsemisatie tijdens het werkelijke gebruik van het elektrisch gereedschap kan verschillen van de aangegeven waarde afhankelijk van de manieren waarop het gereedschap wordt gebruikt. Het trillingsniveau kan toenemen tot boven het aangegeven niveau.

Bij beoordeling van de blootstelling aan trillingen met het doel vast te stellen welke veiligheidsmaatregelen 2002/44/EG vereist ter bescherming van personen die tijdens hun werk regelmatig elektrisch gereedschap gebruiken, moet bij een inschatting van de blootstelling aan trillingen rekening worden gehouden met de werkelijke gebruiksomstandigheden en de manier waarop het gereedschap wordt gebruikt. Daarbij moet ook rekening worden gehouden met alle onderdelen van de bedrijfscyclus, zoals wanneer het gereedschap wordt uitgeschakeld en wanneer het gereedschap stationair loopt en ook de aanlooptijd.

## Etiketten op het gereedschap

De volgende pictogrammen worden met de datumcode op het gereedschap weergegeven:



**Waarschuwing!** De gebruiker moet de instructiehandleiding lezen zodat het risico van letsel wordt beperkt.



Draag een veiligheidsbril of een stofbril wanneer u met dit gereedschap werkt.



Stel het gereedschap niet bloot aan regen of hoge luchtvochtigheid.



Kijk uit voor de scherpe messen. Nadat u de motor hebt uitgeschakeld, blijven de bladen nog even in beweging.



Wees bedacht op voorwerpen die worden weggeslingerd. Houd omstanders uit de buurt.



**Gevaar!** Houd handen weg bij zaagblad



Klasse III-apparaat.



Richtlijn 2000/14/EG gegarandeerd geluidsvermogen.

## Aanvullende veiligheidsinstructies voor accu's en laders

### Accu's

- ◆ Probeer nooit om welke reden dan ook accu's open te maken.
- ◆ Stel de accu niet bloot aan water.
- ◆ Bewaar de accu niet op locaties waar de temperatuur kan stijgen tot boven 40 °C.
- ◆ Laad de accu's alleen op bij een omgevingstemperatuur van 10 °C en 40 °C.
- ◆ Gebruik alleen de lader die bij het gereedschap/apparaat is geleverd. Het gebruik van de verkeerde lader kan een elektrische schok of oververhitting van de accu tot gevolg hebben.
- ◆ Gooi lege accu's weg volgens de instructies in het gedeelte "Het milieu beschermen".
- ◆ Beschadig/vervorm de accu niet, bijv. door er gaten in te boren of erop te slaan, aangezien dit een risico op letsel en brand kan veroorzaken.
- ◆ Laad beschadigde accu's niet op.
- ◆ Onder extreme omstandigheden, kunnen accu's gaan lekken. Wanneer u merkt dat de accu nat of vochtig is, veeg de vloeistof dan voorzichtig af met een doek. Vermijd huidcontact.
- ◆ Volg bij contact met huid of ogen onderstaande instructies op.

**Waarschuwing!** De accuvloeistof kan lichamelijk letsel en materiële schade veroorzaken. Bij huidcontact moet u de vloeistof direct afspoelen met water. Raadpleeg uw huisarts als er rode vlekken ontstaan of bij een pijnlijke of geïrriteerde huid. Bij oogcontact moet u de vloeistof direct uitspoelen met water en uw huisarts raadplegen.

### Laders

De lader is ontworpen voor een bepaalde spanning. Controleer altijd dat de netspanning overeenkomt met de waarde op het typeplaatje.

**Waarschuwing!** Probeer nooit de lader te voorzien van een normale netstekker.

- ◆ Gebruik uw BLACK+DECKER lader alleen voor de accu's in het gereedschap waarbij de lader is geleverd. Andere batterijen kunnen openbarsten, met persoonlijk letsel en materiële schade tot gevolg.
- ◆ Probeer nooit niet-oplaadbare accu's op te laden.
- ◆ Als het netsnoer is beschadigd, moet het door de fabrikant of door een geautoriseerd BLACK+DECKER-servicecentrum worden vervangen, zodat gevaarlijke situaties worden voorkomen.
- ◆ Stel de lader niet bloot aan water.
- ◆ Maak de lader niet open.
- ◆ Steek niet met een scherp voorwerp in de lader.
- ◆ Het apparaat/het gereedschap/de accu moet tijdens het laden in een goed geventileerde ruimte worden geplaatst.



De lader is uitsluitend bestemd voor gebruik binnenshuis.



Lees de instructiehandleiding voor u de lader in gebruik neemt.

### Elektrische veiligheid



Uw lader is dubbel geïsoleerd, daarom is een aardingsdraad niet nodig. Controleer altijd dat de netspanning overeenkomt met de waarde op het typeplaatje.

- ◆ Als het netsnoer is beschadigd, moet het door de fabrikant of door een geautoriseerd BLACK+DECKER-servicecentrum worden vervangen, zodat gevaarlijke situaties worden voorkomen.

**Waarschuwing!** Probeer nooit de lader te voorzien van een normale netstekker.

### Kenmerken

1. Aan/Uit-schakelaar
2. Knop voor vergrendeling in de uit-stand
3. Zaagbladontgrendeling
4. Maaiblad (GSL200/GSL700)
5. Snijsblad (GSL300/GSL700)
6. Oplaadlampje

### Montage

**Waarschuwing!** Let erop dat u tijdens de montage niet het gereedschap per ongeluk inschakelt.



## De muurbevestiging tegen de muur monteren (fig. A & B)

De muurbevestiging kan aan een muur worden bevestigd zodat u het gereedschap gemakkelijk kunt opbergen en opladen.

- ◆ Draai de schroeven in de muur door de gaten in de uitsparingen in de muurbevestiging.
- ◆ Plaats het gereedschap op de muurbevestiging.
- ◆ Steek de stekker van de lader in het stopcontact en let erop dat het oplaadlampje (6) gaat branden (afb. A).
- ◆ Gebruik, indien nodig, de twee pinnen (7) onder de muurbevestiging om het reservemes te bewaren (afb. B).

**Waarschuwing!** Let erop dat u het netsnoer niet beschadigt wanneer u de muurbevestiging tegen de muur bevestigt.

## De stekker van de lader uit de muurbevestiging nemen (afb. C)

U kunt het gereedschap buiten de muurbevestiging opladen.

U kunt de stekker van de lader rechtstreeks in het gereedschap steken.

- ◆ Draai de schroeven uit de achterzijde van de muurbevestiging.
- ◆ Schuif het achterste deel (8) uit het voorste deel (9) om de muurbevestiging te openen.
- ◆ Verwijder de laadstekker van de muurbevestiging.

## De accu plaatsen en verwijderen (afb. D & E)

Het schaarblad (4) is bestemd voor het knippen van gras en onkruid. Het snoeiblad (5) is bestemd voor het snoeien van hagen en heesters.

- ◆ Verwijder de kap van het blad.
- ◆ Duw de bladontgrendelingsknop (3) in de richting van de pijl (afb. D1) en houd de knop vast.
- ◆ Schuif de kap (10) van het blad naar achter en verwijder de kap (afb. D2).
- ◆ Laat het blad over de pennen zakken.
- ◆ Plaats de kap (10) van het blad terug terwijl u het blad over de pennen (afb. E1) houdt en schuif de kap naar voor (afb. E2).

**Opmerking:** Het blad hoeft niet te worden uitgelijnd met de aandrijfpinnen en u hoeft niet de bladontgrendelingsknop in te duwen wanneer u de kap van het blad weer plaatst.

## Gebruik

**Waarschuwing!** Laat het gereedschap op z'n eigen snelheid werken. Overbelast het gereedschap niet.

## De accu opladen

De accu moet vóór het eerste gebruik worden opgeladen, en ook zodra de accu niet meer voldoende vermogen levert voor taken die eerst gemakkelijk konden worden uitgevoerd.

Wanneer u de accu voor de eerste keer oplaadt of na langdurige opslag, kan deze slechts voor 80% worden opgeladen. Na een aantal laad- en ontladcycli bereikt de accu pas de volledige capaciteit. Tijdens het opladen kan de accu warm worden. Dit is normaal en duidt niet op een probleem.

**Waarschuwing!** Laad de batterij niet op bij een omgevingstemperatuur lager dan 10 °C of hoger dan 40 °C. De aanbevolen laadtemperatuur is ongeveer 24 °C. Het apparaat kan voor onbepaalde tijd op de lader aangesloten blijven.

Voor een optimale levensduur van de accu kunt u de accu het beste op de lader houden wanneer u het gereedschap niet gebruikt. Wanneer de batterij geheel vol is, is het stroomverbruik van de lader verwaarloosbaar laag.

## Opladen met de muurbevestiging (afb F)

- ◆ Plaats het gereedschap op de muurbevestiging (11).
- ◆ Steek de stekker van de lader in het stopcontact.

## Opladen met de stekker van de lader (afb. G)

De stekker van de lader is zo ontworpen dat u niet een ongeschikte lader kunt gebruiken.

- ◆ Steek de stekker van de lader (12) in de laadaansluiting aan de achterzijde van het gereedschap.
- ◆ Steek de stekker van de lader in het stopcontact.

## GSL700 - De accu opladen

- ◆ Laad de accu op.

Wanneer de accu wordt opgeladen, knippert het oplaadlampje (6). Het oplaadlampje knippert niet meer wanneer het opladen is voltooid.

## GSL200/GSL300 - De accu opladen

- ◆ Laad de accu op.

Wanneer de accu wordt opgeladen, knippert het oplaadlampje (6). Het oplaadlampje knippert niet meer wanneer het opladen is voltooid. Wanneer het oplaadlampje snel knippert, wijst dat op een oplaadprobleem. Wanneer er een probleem is met het opladen, sluit het gereedschap dan rechtstreeks aan op de stekker door de muurbevestiging te verwijderen. Als het probleem aanhoudt, trek dan de stekker van de lader uit het stopcontact en laat de lader door een geautoriseerd servicecentrum repareren.

## In- en uitschakelen (fig. H)

### Inschakelen

- ◆ Duw de vergrendelknop (2) naar rechts of naar links en houd de knop ingedrukt en knijp vervolgens de aan/uitschakelaar (1) in.
- ◆ Laat de vergrendelknop los.

**Uitschakelen**

- ◆ Laat de aan/uit-schakelaar (1) los.

**Waarschuwing!** Probeer nooit de schakelaar in de ingeschakelde stand te vergrendelen.

**Tips voor optimaal gebruik (afb. I & J)**

- ◆ Spuit een dunne laag olie voor algemene toepassingen op het blad voordat u het gereedschap voor de eerste keer gebruikt en wanneer het blad er droog begint uit te zien.

**Gras knippen**

- ◆ Maai alleen droog gras voor de beste maairesultaten.
- ◆ Houd het gereedschap vast zoals wordt weergegeven op afb. I. Houd uw andere hand op voldoende afstand van het blad. Blijf stevig staan zodat u niet uitglijdt. Reik niet buiten uw macht.
- ◆ Maai in delen, bovenaan beginnend, wanneer u lang gras maait. Maai telkens een klein gedeelte.
- ◆ Houd het gereedschap uit de buurt van harde voorwerpen en kwetsbare planten.
- ◆ Belast het gereedschap minder, als het langzamer begint te werken.
- ◆ Kantel het gereedschap lichtjes om het gras korter te maaien.

**Heggen snoeien**

- ◆ Kantel het gereedschap lichtjes (maximaal 15° ten opzichte van de maailijn) zodat de uiteinden van de messen lichtjes naar de heg wijzen (afb. J). Zo zullen de messen effectiever werken.
- ◆ Begin met het knippen van de bovenzijde van de heg. Houd het gereedschap in de gewenste hoek en beweeg het rustig langs de maailijn. Met het dubbelzijdig blad kunt u in beide richtingen knippen.
- ◆ Om volledig recht te knippen, kunt u op de gewenste hoogte een stuk touw over de lengte van de heg spannen. Gebruik het touw als richtlijn door er net boven te knippen.
- ◆ Knip naar boven, met de groei mee, om vlakke kanten te krijgen. Jonge stelen steken naar buiten wanneer het blad naar beneden snijdt, waardoor uitgedunde delen in de heg ontstaan.
- ◆ Zorg ervoor dat er geen andere voorwerpen geraakt worden. Vermijd vooral hard materialen zoals metalen draden en reiningen omdat de bladen daardoor beschadigd kunnen raken.
- ◆ Smeer de snijbladen regelmatig.

**Richtlijnen voor het knippen van heggen (Verenigd Koninkrijk & Ierland)**

- ◆ Snoei heggen en struiken met seizoensbladeren (elk jaar nieuwe bladeren) in juni en oktober.

- ◆ Snoei groenblijvende struiken in april en augustus.
- ◆ Snoei coniferen en andere snelgroeiende heesters elke zes weken van mei tot oktober.

**Richtlijnen voor het knippen (Australië en Nieuw Zeeland)**

- ◆ Snoei heggen en struiken met seizoensbladeren (elk jaar nieuw bladeren) in december en maart.
- ◆ Snoei groenblijvende struiken in september en februari.
- ◆ Snoei coniferen en andere snelgroeiende heesters elke zes weken van oktober tot maart.

**Onderhoud**

Het BLACK+DECKER-apparaat/-gereedschap, met netsnoer/ snoerloos, is ontworpen om gedurende lange tijd te functioneren met een minimum aan onderhoud. Het continu naar tevredenheid functioneren hangt af van de juiste zorg voor het gereedschap en regelmatig schoonmaken.

**Waarschuwing!** Ga als volgt te werk voor u onderhoud aan elektrisch gereedschap met of zonder snoer uitvoert:

- ◆ Schakel het gereedschap/apparaat uit en trek de stekker uit het stopcontact.
- ◆ Of schakel het gereedschap/apparaat uit als het een afzonderlijke accu heeft uit en verwijder de accu.
- ◆ Of laat de accu volledig ontladen, als de accu is ingebouwd en schakel het gereedschap daarna uit.
- ◆ Trek de stekker van de lader uit het stopcontact voor u de lader schoonmaakt. Behalve regelmatige reiniging vraagt de lader geen onderhoud.
- ◆ Reinig regelmatig de ventilatieopeningen van het gereedschap/apparaat/lader met een zachte borstel of droge doek.
- ◆ Reinig de behuizing van de motor regelmatig met een vochtige doek. Gebruik niet een schurend schoonmaakmiddel of een schoonmaakmiddel op basis van een oplosmiddel.
- ◆ Open regelmatig de spankop en tik er op om stof uit het binnenste te verwijderen (indien van toepassing).
- ◆ Maak de messen na gebruik zorgvuldig schoon. Breng na reiniging een dunne laag lichte machineolie aan zodat de bladen niet gaan roesten.

**Opslag**

Houd de accu op de lader aangesloten wanneer het gereedschap enkele maanden niet wordt gebruikt. Ga anders als volgt te werk:

- ◆ Laad de accu volledig op.
- ◆ Berg het gereedschap op een veilige en droge plaats op. De temperatuur in de opbergruimte moet altijd tussen + 10°C en +40°C liggen.
- ◆ Laad de accu opnieuw volledig op voordat u het gereedschap na langdurige opslag opnieuw gebruikt.

## Het milieu beschermen



Gescheiden afvalinzameling. Producten en accu's waarop dit symbool is aangebracht, mogen niet bij het normale huishoudafval worden weggegooid.

Producten en accu's bevatten materialen die kunnen worden teruggewonnen of gerecycled en dat doet de vraag naar grondstoffen afnemen.

Recycle elektrische producten en accu's volgens de ter plaatse geldende bepalingen. Nadere informatie is beschikbaar op [www.2helpU.com](http://www.2helpU.com)

## Technische gegevens

		GSL200	GSL300	GSL700
Spanning	$V_{DC}$	3,6	3,6	7,0
Bladslagen (onbelast)	$\text{min}^{-1}$	850	850	850
Bladlengte (schaar)	cm	10	-	10
Bladholte (schaar)	mm	23	-	23
Bladlengte (snoeier)	cm	-	15	15
Bladholte (trimmer)	mm	-	8	8
Remtijd blad	s	< 1	< 1	< 1
Gewicht	kg	0,65	0,65	0,65

Lader		
Ingangsspanning	$V_{AC}$	230
Uitgangsspanning	$V_{DC}$	15V
Laadstroom	mA	150mA
Oplaadtijd bij benadering	h	10h
Gewicht	kg	0.15

### Geluidsrukniveau, volgens EN 62841:

Geluidsdruk ( $L_{pA}$ ) 75 dB(A), onzekerheid (K) 3 dB(A)

Geluidsvermogen ( $L_{WA}$ ) 84 dB(A), onzekerheid (K) 3 dB(A)

### Totale trillingswaarden (som triaxvector) volgens EN 62841:

( $a_w$ ) 2,5  $\text{m/s}^2$ , onzekerheid (K) 1,5  $\text{m/s}^2$

## RICHTLIJN VOOR MACHINES RICHTLIJN VOOR GELUID BUITENSHUIS



GSL200, GSL300, GSL700 - Schaar/Trimmer

Black & Decker verklaart dat de producten die worden beschreven onder "technische gegevens", voldoen aan: 2006/42/EC and EN 62841-1:2015 + A11:2022, EN 62841-4-2:2019, EN IEC 62841-4-5:2021+A11:2021 Niveau van akoestisch vermogen, volgens 2000/14/EG (Artikel 13, bijlage III):

$L_{WA}$  (gemeten geluidsvermogen) 84 dB(A)  
Onzekerheid = 3 dB(A)

$L_{WA}$  (gegarandeerd geluidsvermogen) 87 dB(A)

Deze producten voldoen ook aan richtlijn 2014/30/EU en 2011/65/EU.

Neem voor meer informatie contact op met Black & Decker op het volgende adres of raadpleeg de achterkant van de handleiding.

Ondergetekende is verantwoordelijk voor de samenstelling van het technische bestand en legt deze verklaring af namens Black & Decker.

*Patrick Diepenbach*

Patrick Diepenbach  
General Manager, Benelux  
Black & Decker,  
Egide Walschaertsstraat 14 - 18  
2800 Mechelen, België  
3-8-2022

## Garantie

Black & Decker heeft vertrouwen in zijn producten en biedt consumenten een garantie van 24 maanden vanaf de aankoopdatum. Deze garantie vormt een aanvulling op uw wettelijke rechten en beperken deze niet. De garantie is geldig op het grondgebied van de Lidstaten van de Europese Unie en de Europese Vrijhandelszone en het Verenigd Koninkrijk. Voor een garantie-aanspraak moet uw aanspraak in overeenstemming zijn met de Voorwaarden en Condities van Black&Decker en moet u een bewijs van aankoop overleggen aan de verkoper of aan een geautoriseerde reparatiemonteur. Voorwaarden en condities van de 2-jarige garantie van Black&Decker en het adres van de vestiging van het geautoriseerde reparatiecentrum bij u in de buurt, kunt u vinden op internet op [www.2helpU.com](http://www.2helpU.com), of door contact op te nemen met het Black & Decker-kantoor ter plaatse, op het adres dat in deze handleiding wordt vermeld. Bezoek onze website [www.blackanddecker.nl](http://www.blackanddecker.nl), waar u uw nieuwe Black & Decker-product kunt registreren en het laatste nieuws vindt over nieuwe producten en speciale aanbiedingen.

## Uso previsto

La tijera cortacésped y arregla setos GSL200 GSL300 y GSL700 de BLACK+DECKER™ ha sido diseñada para cortar césped, setos, arbustos y zarzas. Esta herramienta ha sido concebida únicamente para uso doméstico.

El cargador BLACK+DECKER ha sido diseñado para cargar las baterías BLACK+DECKER del tipo suministrado con esta herramienta.

## Instrucciones de seguridad

### Advertencias de seguridad para herramientas eléctricas en general



**Advertencia.** Lea todas las advertencias de seguridad, instrucciones, ilustraciones y especificaciones suministradas con esta herramienta eléctrica. El incumplimiento de las instrucciones que se indican a continuación puede causar descargas eléctricas, incendios y/o lesiones graves.

### Guarde todas las advertencias e instrucciones para futuras consultas.

El término "herramienta eléctrica" empleado en las advertencias a continuación hace referencia a la herramienta eléctrica con alimentación de red (con cable) o alimentada por batería (sin cable).

#### 1. Seguridad del área de trabajo

- a. **Mantenga limpia y bien iluminada el área de trabajo.** Las áreas en desorden u oscuras pueden provocar accidentes.
- b. **No utilice herramientas eléctricas en entornos con peligro de explosión, como aquellos en los que haya líquidos, gases o polvos inflamables.** Las herramientas eléctricas originan chispas que pueden inflamar el polvo o los gases.
- c. **Mantenga alejados a los niños y otras personas del área de trabajo al emplear la herramienta eléctrica.** Las distracciones pueden causar la pérdida del control de la herramienta.

#### 2. Seguridad eléctrica

- a. **El enchufe de la herramienta eléctrica debe corresponder a la toma de corriente. No modifique nunca el enchufe de ninguna forma. No utilice ningún enchufe adaptador con las herramientas eléctricas conectadas a tierra (puestas a masa).** Los enchufes no modificados y las tomas de corriente compatibles reducen el riesgo de descarga eléctrica.

- b. **Evite que su cuerpo toque partes conectadas o puestas a tierra tales como tuberías, radiadores, cocinas y refrigeradores.** Existe un mayor riesgo de descarga eléctrica si su propio cuerpo está conectado a tierra.
- c. **No exponga las herramientas eléctricas a la lluvia y a la humedad.** Si entra agua en una herramienta eléctrica, aumenta el riesgo de descarga eléctrica.
- d. **Cuide el cable de alimentación. No use nunca el cable para transportar, tirar de la herramienta eléctrica o desenchufarla. Mantenga el cable alejado del calor, aceite, cantos afilados y piezas en movimiento.** Los cables dañados o enredados aumentan el riesgo de descarga eléctrica.
- e. **Al trabajar con la herramienta eléctrica en la intemperie utilice solamente cables de prolongación homologados para su uso en exteriores.** La utilización de un cable adecuado para el uso en exteriores reduce el riesgo de descarga eléctrica.
- f. **Si la utilización de una herramienta eléctrica en un lugar húmedo es inevitable, utilice una fuente protegida con un dispositivo diferencial residual (DDR).** El uso de un DDR reduce el riesgo de descarga eléctrica.

#### 3. Seguridad personal

- a. **Esté atento a lo que hace y emplee la herramienta eléctrica con prudencia. No maneje una herramienta eléctrica cuando esté cansado o bajo los efectos de drogas, medicamentos o alcohol.** Un momento de falta de atención cuando se manejan las herramientas eléctricas puede ocasionar lesiones personales graves.
- b. **Utilice un equipo de protección personal. Utilice siempre protección ocular.** El uso de equipo de protección, como mascarillas antipolvo, calzado antideslizante, casco o protectores auditivos para las condiciones apropiadas reduce la posibilidad de sufrir lesiones corporales.
- c. **Impida que la herramienta se ponga en marcha involuntariamente. Asegúrese de que el interruptor se encuentre en la posición de apagado antes de conectar la herramienta a la fuente de alimentación o a la batería, o de coger o transportar la herramienta.** Transportar herramientas eléctricas con el dedo puesto en el interruptor o herramientas eléctricas activadoras que tengan el interruptor encendido puede provocar accidentes.
- d. **Retire las herramientas de ajuste o llaves fijas antes de encender la herramienta eléctrica.** Dejar una llave inglesa u otra llave puesta en una pieza en movimiento de la herramienta eléctrica puede ocasionar lesiones personales.
- e. **Sea precavido. Mantenga un equilibrio adecuado y la estabilidad constantemente.**

Esto permite un mejor control de la herramienta eléctrica en situaciones inesperadas.

- f. **Lleve puesta una vestimenta de trabajo adecuada. No se ponga ropa suelta o joyas. Mantenga el cabello, la ropa y los guantes alejados de las piezas en movimiento.** La ropa suelta, las joyas y el pelo largo pueden quedar atrapados en las piezas en movimiento.
  - g. **Siempre que sea posible utilizar unos equipos de aspiración o captación de polvo, asegúrese de que estén montados y de se utilicen correctamente.** El uso de equipo de recogida de polvo puede reducir los riesgos relacionados con el polvo.
  - h. **Evite que la familiaridad adquirida con el uso frecuente de las herramientas le haga confiarse demasiado e ignorar las normas de seguridad de las herramientas.** Un descuido puede causar lesiones graves en una fracción de segundo.
4. **Uso y cuidado de herramientas eléctricas**
    - a. **No sobrecargue la herramienta eléctrica. Use la herramienta eléctrica correcta para su trabajo.** La herramienta eléctrica correcta funcionará mejor y con mayor seguridad si se utiliza de acuerdo con sus características técnicas.
    - b. **No utilice la herramienta eléctrica si no se puede encender y apagar con el interruptor.** Toda herramienta eléctrica que no pueda controlarse con el interruptor es peligrosa y debe ser reparada.
    - c. **Desconecte el enchufe de la herramienta eléctrica de la fuente de alimentación y/o la batería antes de realizar cualquier ajuste, cambiar accesorios o guardar la herramienta.** Dichas medidas de seguridad preventivas reducen el riesgo de poner en marcha accidentalmente la herramienta eléctrica.
    - d. **Guarde las herramientas eléctricas fuera del alcance de los niños y no permita que la utilicen las personas no familiarizadas con su uso o con estas instrucciones.** Las herramientas eléctricas son peligrosas en manos de personas no capacitadas.
    - e. **Realice el mantenimiento de sus herramientas eléctricas. Compruebe que las piezas móviles no estén desalineadas ni atascadas, que no haya piezas rotas y cualquier otra condición que pudiera afectar al funcionamiento de la herramienta eléctrica. Si la herramienta eléctrica está dañada, llévela para que sea reparada antes de utilizarla.** Se ocasionan muchos accidentes por el mal mantenimiento de las herramientas eléctricas.
    - f. **Mantenga las herramientas de corte limpias y afiladas.** Hay menos probabilidad de que las herramientas de cortar con bordes afilados se bloqueen, y son más fáciles de controlar.
    - g. **Utilice la herramienta eléctrica, los accesorios, los útiles de la herramienta, etc. de acuerdo con estas instrucciones, y tenga en cuenta las condiciones de trabajo y la tarea que va a realizar.** El uso de la herramienta eléctrica para operaciones que no sean las previstas puede ocasionar una situación peligrosa.
    - h. **Mantenga las empuñaduras y superficies de agarre secas, limpias y libres de aceite y grasa.** Las empuñaduras resbalosas y las superficies engrasadas impiden aferrar y controlar la herramienta en situaciones imprevistas.
  5. **Uso y cuidado de la herramienta de batería**
    - a. **Recárguela solo con el cargador especificado por el fabricante.** Un cargador adecuado para un tipo de batería puede provocar riesgos de incendios al ser utilizado con otra batería.
    - b. **Utilice las herramientas eléctricas solamente con las baterías recomendadas.** El uso de otras baterías puede suponer un riesgo de incendio y lesiones.
    - c. **Cuando no utilice la batería, manténgala alejada de objetos de metal como clips para papel, monedas, llaves, clavos, tornillos y otros pequeños objetos metálicos que pueden realizar una conexión de un terminal a otro.** Si se produce un cortocircuito entre los terminales de la batería, pueden ocasionarse incendios o quemaduras.
    - d. **En caso de uso abusivo puede salir líquido de la batería, evite el contacto. Si se produce un contacto accidental, lave con agua. Si el líquido se pone en contacto con los ojos, acuda además a un médico.** El líquido expulsado de la batería podrá provocar irritaciones o quemaduras.
    - e. **No use la batería ni la herramienta si están dañadas o han sido modificadas.** Las baterías dañadas o modificadas pueden tener reacciones imprevistas y causar incendios, explosión o riesgo de lesiones.
    - f. **No exponga la batería o la herramienta al fuego o a temperaturas excesivas.** La exposición al fuego o a una temperatura superior a 130 °C puede causar una explosión.
    - g. **Siga las instrucciones de carga y no cargue la batería o la herramienta fuera del rango de temperatura especificado en las instrucciones.** La carga incorrecta o fuera del rango de temperatura especificado puede dañar la batería y aumentar el riesgo de incendio.
  6. **Reparaciones**
    - a. **Esta herramienta eléctrica solo la puede reparar personal técnico autorizado que emplee exclusivamente piezas de repuesto originales.** Así se asegurará que se mantenga la seguridad de la herramienta eléctrica.

- b. **Nunca repare la batería si está dañada.** La reparación de la batería puede ser efectuada únicamente por el fabricante o los proveedores de servicio autorizados.

## Advertencias de seguridad adicionales para herramientas eléctricas



**Advertencia.** Advertencias de seguridad adicionales para cortasetos

- ◆ **Mantenga todas las partes del cuerpo alejadas de la cuchilla de corte. No retire el material cortado ni sujete el material que vaya a cortar mientras las cuchillas se encuentren en movimiento. Asegúrese de que el interruptor esté apagado cuando se disponga a retirar material atascado.** La falta de atención durante el uso del cortasetos puede ocasionar graves lesiones.
- ◆ **Transporte el cortasetos por la empuñadura, con la cuchilla de corte detenida. Cuando transporte o guarde el cortasetos, coloque siempre la cubierta del dispositivo de corte.** La correcta manipulación del cortasetos reduce las posibles lesiones personales ocasionadas por las cuchillas de corte.
- ◆ **Cuando transporte o guarde el cortasetos, colóquelo siempre la cubierta en la cuchilla.** La correcta manipulación del cortasetos reduce las posibles lesiones personales ocasionadas por las cuchillas.
- ◆ **Cuando limpie el material atascado o efectúe el mantenimiento de la unidad, asegúrese de que todos los interruptores de alimentación estén apagados y que el cable de alimentación esté desconectado.** El arranque accidental del cortasetos mientras limpia el material atascado o efectúa el mantenimiento puede causar lesiones personales graves.
- ◆ **Sujete el cortasetos únicamente por la superficie de agarre aislada, ya que la cuchilla de corte podría entrar en contacto con un cable oculto o con el cable del cortasetos.** El contacto de las cuchillas con un cable bajo tensión puede cargar las partes metálicas expuestas de la herramienta eléctrica y producir una descarga eléctrica al operador.
- ◆ **Mantenga el cable de alimentación y otros cables alejados del área de corte.** Durante el funcionamiento, el cable de alimentación u otros cables podrían estar ocultos entre los arbustos, y la cuchilla podría cortar tales cables accidentalmente.
- ◆ **Evite usar el cortasetos cuando haya mal tiempo, sobre todo en caso de riesgo de rayos.** Esto disminuye el riesgo de ser alcanzado por un rayo.
- ◆ **En este manual de instrucciones se describe el uso previsto.**

La utilización de accesorios o dispositivos auxiliares o la realización de operaciones distintas a las recomendadas en este manual de instrucciones para esta herramienta pueden suponer un riesgo de lesiones corporales y/o de daños materiales.

- ◆ Si nunca ha utilizado un cortasetos, le recomendamos solicitar instrucciones prácticas a un usuario experimentado, además de leer detenidamente este manual.
- ◆ Nunca toque las cuchillas mientras la herramienta esté en funcionamiento.
- ◆ Nunca intente forzar las cuchillas para que se detengan.
- ◆ No deje la herramienta apoyada hasta que las cuchillas se hayan detenido por completo.
- ◆ Compruebe periódicamente que las cuchillas no estén dañadas o gastadas. No utilice la herramienta si las cuchillas están dañadas.
- ◆ Procure evitar los objetos duros (por ejemplo, alambres o verjas) durante las operaciones de corte. Si golpea algún objeto de estas características de forma accidental, apague de inmediato la herramienta y compruebe si ha ocasionado algún daño.
- ◆ Si la herramienta comienza a vibrar de manera anormal, apáguela de inmediato y compruebe si ha sufrido algún daño.
- ◆ Si la herramienta se para, apáguela inmediatamente.
- ◆ Después de utilizar la herramienta, coloque la vaina de la cuchilla suministrada sobre las cuchillas. Cuando guarde la herramienta, asegúrese de que la cuchilla no quede descubierta.
- ◆ Asegúrese siempre de que todos los protectores estén colocados cuando utilice la herramienta. Nunca intente utilizar una herramienta que no esté completamente montada o una herramienta con modificaciones no autorizadas.
- ◆ Nunca permita que los niños utilicen la herramienta.
- ◆ Tenga cuidado con los restos que caen al cortar las partes superiores de un seto.

## Advertencias de seguridad para tijeras cortacésped:

- ◆ **No use la tijera cortacésped cuando haya mal tiempo, sobre todo si hay riesgo de rayos.** Esto disminuye el riesgo de ser alcanzado por un rayo.
- ◆ **Mantenga el cable de alimentación y otros cables alejados del área de corte.** Los cables de alimentación u otros cables podrían estar ocultos, y la cuchilla podría cortarlos accidentalmente.
- ◆ **Use protectores auditivos.** Un equipo de protección adecuado reduce el riesgo de pérdida auditiva.
- ◆ **Sujete la tijera cortacésped únicamente por la superficie de agarre aislada, ya que la cuchilla de corte podría entrar en contacto con cables ocultos.**

El contacto de las cuchillas con un cable bajo tensión puede cargar las partes metálicas expuestas de la tijera cortacésped y producir una descarga eléctrica al operador.

- ◆ **Mantenga todas las partes del cuerpo alejadas de la cuchilla. No retire el material cortado ni sujete el material que vaya a cortar mientras las cuchillas se encuentren en movimiento. Después de apagar el motor, las cuchillas siguen moviéndose.** Un momento de distracción durante el uso de la tijera cortacésped puede ocasionar lesiones graves.
- ◆ **Cuando limpie el material atascado o efectúe el mantenimiento de la tijera cortacésped, compruebe que el interruptor de encendido esté apagado y que el bloqueo esté en la posición de bloqueo.** El arranque accidental de la tijera cortacésped mientras limpia el material atascado o efectúa el mantenimiento puede causar lesiones personales graves.
- ◆ **Transporte la tijera cortacésped por el mango con la cuchilla detenida y teniendo cuidado de no accionar el interruptor de encendido.** La correcta manipulación de la tijera cortacésped reduce el riesgo de arranque accidental y las posibles lesiones personales ocasionadas por las cuchillas.
- ◆ **Cuando transporte o guarde la tijera cortacésped, colóquelo siempre la cubierta en la cuchilla.** La correcta manipulación de la tijera cortacésped reduce el riesgo de lesiones personales ocasionadas por las cuchillas.

## Advertencias de seguridad adicionales para herramientas eléctricas



**¡Advertencia!** Advertencias de seguridad adicionales para tijeras

- ◆ Nunca permita que personas no familiarizadas con estas instrucciones ni los niños utilicen la máquina. Las normativas locales pueden restringir la edad del usuario.
- ◆ Recuerde que el operador o el usuario serán responsables de los accidentes y las situaciones peligrosas que puedan sufrir las personas que se encuentren alrededor o sus propiedades.
- ◆ No utilice el aparato mientras haya personas, especialmente niños, o animales cerca.
- ◆ Utilice la máquina únicamente a la luz del día o con iluminación artificial adecuada.
- ◆ Asegúrese siempre de que los orificios de ventilación no tengan restos.
- ◆ Utilice únicamente los accesorios y las piezas de repuesto recomendados por el fabricante.
- ◆ Realice inspecciones y mantenimientos periódicos.

La máquina debe ser reparada solo por un técnico autorizado.

## Seguridad de otras personas

- ◆ Este aparato puede ser usado por niños a partir de 8 años de edad y por personas con capacidades físicas, sensoriales o mentales disminuidas, o que carezcan de experiencia y conocimientos, siempre que estén supervisadas o hayan recibido formación con respecto al uso del aparato de forma segura y comprendan los peligros que entraña su uso.
- ◆ Los niños no deben jugar con el aparato. Los niños no deberán realizar las tareas de limpieza y mantenimiento de usuario, salvo que lo hagan bajo supervisión.

## Vibración

Los valores de emisión de vibraciones declarados en el apartado de características técnicas y en la declaración de conformidad se han calculado según un método de prueba estándar proporcionado por la norma EN 62841 y podrán utilizarse para comparar una herramienta con otra.

El valor de emisión de vibraciones especificado también puede utilizarse en una evaluación preliminar de la exposición.

**¡Advertencia!** El valor de emisión de vibraciones durante el funcionamiento real de la herramienta eléctrica puede diferir del valor declarado en función de cómo se utilice dicha herramienta. El nivel de las vibraciones puede aumentar por encima del nivel declarado.

Al evaluar la exposición a las vibraciones con el fin de determinar las medidas de seguridad que exige la directiva 2002/44/CE para proteger a las personas que utilizan periódicamente herramientas eléctricas en el entorno laboral, deberá tenerse en cuenta una estimación de la exposición a las vibraciones, las condiciones de uso reales y el modo de empleo de la herramienta, así como los pasos del ciclo operativo como, por ejemplo, el número de veces que la herramienta se apaga, el tiempo que está parada y el tiempo de activación.

## Etiquetas en la herramienta

Los siguientes pictogramas están colocados, junto al código, en la herramienta:



**¡Advertencia!** Para reducir el riesgo de lesiones, el usuario debe leer el manual de instrucciones.



Cuando utilice la herramienta, lleve siempre gafas protectoras.



No exponga la herramienta a la lluvia ni a la humedad.



Tenga cuidado con las cuchillas afiladas. Una vez apagado el motor, las cuchillas siguen moviéndose.



Tenga cuidado con los objetos que salen volando. Mantenga alejadas a otras personas.



¡Peligro! Mantenga las manos alejadas de la cuchilla.



Aparato de clase III.



Directiva 2000/14/CE sobre la potencia acústica garantizada.

## Instrucciones de seguridad adicionales para baterías y cargadores

### Baterías

- ◆ Nunca intente abrir las baterías por ningún motivo.
- ◆ No exponga la batería al agua.
- ◆ No guarde la batería en lugares en los que la temperatura pueda superar los 40 °C.
- ◆ Realice la carga únicamente a una temperatura ambiente de entre 10 °C y 40 °C.
- ◆ Utilice únicamente el cargador suministrado con el aparato o la herramienta para realizar la carga. La utilización de un cargador incorrecto puede producir una descarga eléctrica o el recalentamiento de la batería.
- ◆ Para desechar las baterías, siga las instrucciones facilitadas en la sección "Protección del medioambiente".
- ◆ No dañe ni deforme la batería mediante perforaciones o golpes, pues ello puede causar riesgo de incendio y de lesiones.
- ◆ No cargue baterías dañadas.
- ◆ Es posible que se produzcan fugas en las baterías en condiciones extremas. Cuando observe que se producen fugas en las baterías, limpie cuidadosamente el líquido con un paño. Evite el contacto con la piel.
- ◆ En caso de contacto con la piel o los ojos, siga las instrucciones indicadas a continuación.

¡Advertencia! El líquido de la batería puede provocar lesiones o daños materiales. En caso de contacto con la piel, lave la zona afectada con agua inmediatamente. Si se produce enrojecimiento, dolor o irritación, solicite atención médica. En caso de contacto con los ojos, lave la zona inmediatamente con agua limpia y solicite atención médica.

### Cargadores

El cargador ha sido diseñado para un voltaje específico.

Compruebe siempre que el voltaje de la red eléctrica corresponda al valor indicado en la placa de características.

¡Advertencia! No intente sustituir el cargador por un enchufe convencional para la red eléctrica.

- ◆ Utilice el cargador BLACK+DECKER solo para cargar la batería de la herramienta con la que ha sido suministrado. Otras baterías podrían explotar y provocar lesiones y daños materiales.
- ◆ Nunca intente cargar baterías no recargables.
- ◆ Si se daña el cable de alimentación, el fabricante o un centro de servicio técnico autorizado de BLACK+DECKER deberán sustituirlo para evitar riesgos.
- ◆ No exponga el cargador al agua.
- ◆ No abra el cargador.
- ◆ No aplique ningún dispositivo para medir la resistencia del cargador.
- ◆ Durante la carga, el aparato, la herramienta o la batería deben colocarse en una zona correctamente ventilada.



El cargador ha sido concebido para utilizarse únicamente en un lugar interior.



Lea el manual de instrucciones antes de usar el producto.

### Seguridad eléctrica



El cargador tiene doble aislamiento; por lo tanto, no requiere conexión a tierra. Compruebe siempre que el voltaje de la red eléctrica corresponda al valor indicado en la placa de características.

- ◆ Si se daña el cable de alimentación, el fabricante o un centro de servicio técnico autorizado de BLACK+DECKER deberán sustituirlo para evitar riesgos.

¡Advertencia! No intente sustituir el cargador por un enchufe convencional para la red eléctrica.

### Características

1. Interruptor de encendido/apagado
2. Botón de bloqueo
3. Botón de liberación de la cuchilla
4. Cuchilla de la tijera (GSL200/GSL700)
5. Cuchilla de recorte (GSL300/GSL700)
6. Indicador de carga

### Montaje

¡Advertencia! Evite encender accidentalmente la herramienta durante el montaje.

### Montaje del soporte de pared en la pared (Fig. A y B)

El soporte de pared puede fijarse a una pared para proporcionar al aparato un punto de almacenaje y de carga adecuado.



- ◆ Introduzca los tornillos en la pared atravesando los orificios de las ranuras del soporte de pared.
- ◆ Coloque la herramienta en el soporte de pared.
- ◆ Enchufe el cargador comprobando que se ilumine el indicador de carga (6) (Fig. A).
- ◆ Si es necesario, utilice las dos clavijas (7) debajo del soporte de pared para guardar la cuchilla de repuesto. (Fig. B).

¡Advertencia! Evite dañar el cable de alimentación al montar el soporte de pared en la pared.

### Extracción del enchufe del cargador del soporte de pared (Fig. C)

La herramienta se puede cargar sin necesidad de utilizar el soporte de pared. El enchufe del cargador se puede conectar directamente a la herramienta.

- ◆ Extraiga los tornillos de la parte posterior del soporte de pared.
- ◆ Deslice la parte posterior (8) desde la parte delantera (9) para abrir el soporte de pared.
- ◆ Retire el enchufe del cargador del soporte de pared.

### Montaje y desmontaje de la cuchilla (Fig. D y E)

La cuchilla de la tijera (4) ha sido diseñada para cortar hierba y malas hierbas. La cuchilla de corte (5) ha sido diseñada para cortar setos y arbustos.

- ◆ Extraiga la cubierta de la cuchilla.
- ◆ Presione el botón de liberación de la cuchilla (3) en la dirección de la flecha (Fig. D1).
- ◆ Deslice la cubierta de la cuchilla (10) hacia atrás y levántela (Fig. D2).
- ◆ Baje la cuchilla sobre los pasadores.
- ◆ Mientras sujeta la cuchilla en los pasadores (Fig. E1), vuelva a colocar la tapa de la cuchilla (10) y deslícela hacia adelante (Fig. E2).

**Nota:** No es necesario alinear la cuchilla con el pasador de accionamiento ni es necesario accionar el botón de desbloqueo de la cubierta de la cuchilla cuando se vuelve a montar la cubierta en la cuchilla.

### Uso

¡Advertencia! Deje que la herramienta funcione a su ritmo. No lo sobrecargue.

### Carga de la batería

Es necesario cargar la batería antes del primer uso y cada vez que note que no dispone de suficiente potencia para las tareas que antes realizaba con facilidad. Cuando cargue la batería por primera vez, o después de un período de almacenamiento largo, aceptará sólo un 80% de la carga. Después de varios ciclos de carga y descarga, la batería logrará la máxima capacidad.

Es posible que la batería se caliente durante la carga; esto es normal y no denota ningún problema.

¡Advertencia! No cargue la batería si la temperatura ambiente es inferior a 10 °C o superior a 40 °C. La temperatura de carga recomendada es de aproximadamente 24 °C.

Se puede dejar el aparato conectado al cargador indefinidamente.

Para maximizar la vida útil de la batería, se recomienda mantenerla conectada al cargador siempre que la herramienta no esté en uso. Cuando la batería está completamente cargada, el consumo de energía del cargador es insignificante.

### Carga en el soporte de pared (Fig. F)

- ◆ Coloque la herramienta en el soporte de pared (11).
- ◆ Conecte el cargador.

### Carga con el enchufe del cargador (Fig. G)

El enchufe del cargador ha sido diseñado con bloqueos para evitar el uso de un cargador incorrecto.

- ◆ Inserte el enchufe del cargador (12) en el conector del cargador que se encuentra en la parte posterior de la herramienta.
- ◆ Conecte el cargador.

### GSL700- Carga de la batería

- ◆ Cargue la batería.

Cuando la batería se está cargando, el indicador de carga (6) parpadea. El indicador de carga dejará de parpadear cuando se complete la carga.

### GSL200/GSL300 - Carga de la batería

- ◆ Cargue la batería.

Cuando la batería se está cargando, el indicador de carga (6) parpadea. El indicador de carga dejará de parpadear cuando se complete la carga. El indicador de carga parpadea rápidamente para indicar un problema de carga. Cuando se produzca un problema de carga, conecte la herramienta directamente al enchufe del cargador quitando el soporte de pared. Si el problema de carga persiste, desconecte el cargador de la red eléctrica y llévelo a un centro de servicio autorizado para su reparación.

### Encendido y apagado (Fig. H)

#### Encendido

- ◆ Mantenga pulsado el botón de bloqueo (2) a la derecha o a la izquierda y después pulse el interruptor de encendido/apagado (1).
- ◆ Suelte el botón de bloqueo.

### Apagado

- ◆ Suelte el interruptor de encendido/apagado (1).

**¡Advertencia!** Nunca intente trabar un interruptor en la posición de encendido.

### Sugerencias para un uso óptimo (Fig. I y J)

- ◆ Rocíe la cuchilla con una capa ligera de aceite de uso general antes del primer uso y siempre que las cuchillas empiecen a parecer secas.

### Corte de hierba

- ◆ Para obtener unos resultados de corte óptimos, corte únicamente hierba seca.
- ◆ Sostenga la herramienta como se indica en la Fig. I. Mantenga la otra mano alejada de la cuchilla. Mantenga una posición de trabajo estable para no resbalarse. No se estire demasiado.
- ◆ Cuando corte césped alto, trabaje por etapas desde arriba. Realice cortes pequeños.
- ◆ Mantenga la herramienta alejada de objetos duros y plantas delicadas.
- ◆ Si la herramienta comienza a funcionar lentamente, reduzca la carga.
- ◆ Para realizar un corte más al ras, incline ligeramente la herramienta.

### Corte de setos

- ◆ Incline ligeramente la herramienta (hasta 15° en relación con la línea de corte) para que las puntas de la cuchilla apunten ligeramente hacia el seto (Fig. J). De este modo, las cuchillas cortarán de manera más eficaz.
- ◆ Empiece cortando la parte superior del seto. Sujete la herramienta en el ángulo deseado y muévala firmemente a lo largo de la línea de corte. La cuchilla de doble file permite cortar en ambas direcciones.
- ◆ Para conseguir un corte muy recto, extienda un trozo de cuerda por toda la longitud del seto a la altura deseada. Utilice la cuerda como guía y realice el corte por encima de esta.
- ◆ Para obtener superficies planas, corte hacia arriba en la dirección de crecimiento. Los tallos más jóvenes se desplazan hacia fuera cuando la cuchilla corta hacia abajo, lo que provoca un parcheado plano en el seto.
- ◆ Procure evitar los objetos extraños. Evite especialmente objetos duros, como alambres o verjas, ya que podrían dañar las cuchillas.
- ◆ Lubrique las cuchillas periódicamente.

### Instrucciones de corte (Reino Unido e Irlanda)

- ◆ Corte setos y arbustos con hojas caducas (que producen hojas nuevas cada año) en junio y en octubre.

- ◆ Corte árboles o plantas de hoja perenne en abril y en agosto.
- ◆ Corte coníferas y otros arbustos de crecimiento rápido cada seis semanas, de mayo a octubre.

### Instrucciones de corte (Australia y Nueva Zelanda)

- ◆ Corte setos y arbustos con hojas caducas (que producen hojas nuevas cada año) en diciembre y en marzo.
- ◆ Corte árboles o plantas de hojas perennes en septiembre y en febrero.
- ◆ Corte coníferas y otros arbustos de crecimiento rápido cada seis semanas, de octubre a marzo.

### Mantenimiento

Su aparato o herramienta con o sin cable de BLACK+DECKER ha sido diseñada para funcionar durante un largo período de tiempo con un mantenimiento mínimo. El funcionamiento satisfactorio y continuo depende del buen cuidado de la herramienta y de una limpieza frecuente.

**¡Advertencia!** Antes de realizar el mantenimiento de herramientas eléctricas con o sin cables:

- ◆ Apague y desenchufe el aparato/herramienta.
- ◆ O apague y extraiga la batería del aparato/herramienta en caso de que tenga batería separada.
- ◆ O deje que la batería se agote por completo, si es integral, y apague el aparato.
- ◆ Desenchufe el cargador antes de limpiarlo. El cargador no requiere ningún mantenimiento especial excepto la limpieza periódica.
- ◆ Limpie periódicamente las ranuras de ventilación de la herramienta/aparato/cargador con un cepillo suave o un paño seco.
- ◆ Limpie periódicamente la carcasa del motor con un paño húmedo. No utilice limpiadores abrasivos o a base de disolventes.
- ◆ Abra regularmente el mandril y golpéelo suavemente para eliminar los restos de polvo que pudiese contener en su interior (si está colocado).
- ◆ Después de utilizar la herramienta, limpie con cuidado las cuchillas. Después de limpiarlas, aplique una película de aceite ligero para máquinas para evitar que las cuchillas se oxiden.

### Almacenamiento

Si la herramienta no se va a utilizar durante varios meses, lo ideal es dejar la batería conectada al cargador. En caso contrario, realice el procedimiento siguiente:

- ◆ Cargue completamente la batería.
- ◆ Guarde la herramienta en un lugar seguro y seco. La temperatura de almacenamiento siempre debe estar comprendida entre +10 °C y +40 °C.

- ◆ Antes de utilizar la herramienta después de un período de almacenamiento prolongado, vuelva a cargar completamente la batería.

## Protección del medioambiente



Recogida selectiva. Los productos y las baterías marcadas con este símbolo no se deben eliminar con los residuos domésticos normales.

Los productos y las baterías que contienen materiales que se puedan recuperar o reciclar reducen la demanda de materias primas.

Recicle los productos eléctricos y las baterías de conformidad con las normas locales. Puede obtener más información en [www.2helpU.com](http://www.2helpU.com)

## Datos técnicos

		GSL200	GSL300	GSL700
Tensión	$V_{CC}$	3,6	3,6	7,0
Recorridos de la cuchilla (sin carga)	mín.: 1	850	850	850
Longitud de las cuchillas (tijera)	cm	10	-	10
Distancia entre cuchillas (tijera)	mm	23	-	23
Longitud de las cuchillas (cortasetos)	cm	-	15	15
Distancia de las cuchillas (cortasetos)	mm	-	8	8
Tiempo de frenado de las cuchillas	s	<1	<1	<1
Peso	kg	0,65	0,65	0,65

Cargador		
Voltaje de entrada	$V_{CA}$	230
Voltaje de salida	$V_{CC}$	15V
Corriente	mA	150mA
Tiempo aproximado de recarga	h	10h
Peso	kg	0.15

Nivel de presión acústica de acuerdo con la norma EN 62841:	
Presión acústica ( $L_{pA}$ )	75 dB(A), incertidumbre (K) 3 dB(A)
Potencia acústica ( $L_{WA}$ )	84 dB(A), incertidumbre (K) 3 dB(A)

Valores totales de vibración (suma vectorial triaxial) de acuerdo con la directiva EN 62841:	
$(a_v)$	2.5 m/s <sup>2</sup> , incertidumbre (K) 1.5 m/s <sup>2</sup>

## DIRECTIVA DE MÁQUINAS DIRECTIVA SOBRE EL RUIDO EXTERIOR



GSL200, GSL300, GSL700 - / Tijera cortacésped/arregla setos

Black & Decker declara que los productos descritos en "datos técnicos" cumplen las siguientes normas:

2006/42/CE y EN 62841-1:2015 + A11:2022,

EN 62841-4-2:2019, EN IEC 62841-4-5:2021+A11:2021

Nivel de potencia acústica de acuerdo con la directiva 2000/14/CE

(Artículo 13, Anexo III):

$L_{WA}$  (potencia acústica medida) 84 dB (A)

Incertidumbre = 3 dB(A)

$L_{WA}$  (potencia acústica garantizada) 87 dB(A)

Estos productos también cumplen las Directivas 2014/30/UE y 2011/65/UE.

Para más información, póngase en contacto con Black & Decker en la siguiente dirección o consulte la parte posterior del manual.

El abajo firmante es el responsable de la compilación del archivo técnico y realiza esta declaración en representación de Black & Decker.

*Patrick Diepenbach* Patrick Diepenbach  
Director General, Benelux  
Black & Decker,  
Egide Walschaertsstraat 14-18  
2800 Mechelen, Bélgica  
03/08/2022

## Garantía

Black & Decker confía en la calidad de sus productos y ofrece a los consumidores una garantía de 24 meses a partir de la fecha de compra. Esta garantía es adicional a sus derechos legales y no la menoscaba en modo alguno. La garantía es válida dentro de los territorios de los Estados Miembros de la Unión Europea y del Área de Libre Comercio Europea y el Reino Unido.

Para reclamar la garantía, deberá formular la reclamación de conformidad con las condiciones de Black & Decker, presentando el comprobante de compra al vendedor o al agente técnico autorizado. Las condiciones de la garantía de 2 años de Black & Decker y la ubicación de su agente técnico autorizado más cercano se pueden obtener en Internet en [www.2helpU.com](http://www.2helpU.com) o poniéndose en contacto con su oficina local de Black & Decker en la dirección que se indica en este manual.

Visite nuestro sitio web [www.blackanddecker.co.uk](http://www.blackanddecker.co.uk) para registrar su nuevo producto Black & Decker y recibir noticias sobre nuevos productos y ofertas especiales.

## Utilização pretendida

A tesoura/corta-sebes BLACK+DECKER™ GSL200, GSL300, GSL700 foi concebida para aparar relva, sebes, arbustos e silvas. Esta ferramenta destina-se apenas a utilização doméstica.

O carregador BLACK+DECKER foi concebido para carregar baterias BLACK+DECKER do tipo fornecido com esta ferramenta.

## Instruções de segurança

### Avisos de segurança gerais sobre ferramentas eléctricas



**Atenção! Leia todos os avisos de segurança, instruções, ilustrações e especificações fornecidas com esta ferramenta eléctrica.** O não cumprimento de todas as instruções indicadas abaixo pode resultar em choque eléctrico, incêndio e/ou ferimentos graves.

### Guarde todos os avisos e instruções para futura referência.

O termo "ferramenta eléctrica" utilizado a seguir refere-se a ferramentas eléctricas com ligação à corrente eléctrica (com fios) ou com bateria (sem fios).

#### 1. Segurança na área de trabalho

- Mantenha a área de trabalho limpa e bem iluminada.** As áreas desorganizadas ou escuras são propensas a acidentes.
- Não trabalhe com ferramentas eléctricas em áreas com risco de explosão, nas quais se encontrem líquidos, gases ou poeiras inflamáveis.** As ferramentas eléctricas criam faíscas que podem inflamar estas poeiras ou vapores.
- Mantenha as crianças e outras pessoas afastadas durante a utilização da ferramenta eléctrica.** As distrações podem levar à perda do controlo da ferramenta.

#### 2. Segurança eléctrica

- As fichas da ferramenta eléctrica devem encaixar na tomada. Nunca modifique a ficha de forma alguma. Não utilize fichas adaptadoras com ferramentas eléctricas ligadas à terra.** As fichas não modificadas e as tomadas compatíveis reduzem o risco de choque eléctrico.
- Evite que o corpo entre em contacto com superfícies ligadas à terra, como tubos, radiadores, fogões e frigoríficos.**

Se o seu corpo estiver "ligado" à terra, o risco de choque eléctrico é maior.

- As ferramentas eléctricas não podem ser expostas a chuva ou a humidade.** A entrada de água numa ferramenta eléctrica aumenta o risco de choque eléctrico.
- Manuseie o cabo com cuidado. Nunca o utilize para transportar, puxar ou desligar a ferramenta eléctrica. Mantenha o cabo afastado de fontes de calor, substâncias oleosas, arestas afiadas ou peças móveis.** Os cabos danificados ou emaranhados aumentam o risco de choque eléctrico.
- Quando trabalhar com uma ferramenta eléctrica ao ar livre, utilize uma extensão adequada para esse fim.** A utilização de um cabo adequado para uso ao ar livre reduz o risco de choque eléctrico.
- Se for inevitável trabalhar com uma ferramenta eléctrica num local húmido, utilize um dispositivo de corrente residual (DCR).** A utilização de um DCR reduz o risco de choque eléctrico.

#### 3. Segurança pessoal

- Esteja atento, observe o que está a fazer e seja prudente quando trabalhar com a ferramenta eléctrica. Não utilize uma ferramenta eléctrica quando estiver cansado ou sob o efeito de drogas, álcool ou medicamentos.** Um momento de distração durante a utilização de ferramentas eléctricas pode resultar em ferimentos graves.
- Utilize equipamento de protecção individual. Use sempre protecção ocular.** O equipamento de protecção, como, por exemplo, uma máscara contra o pó, sapatos de segurança antiderrapantes, um capacete de segurança ou uma protecção auditiva, utilizado nas condições adequadas, reduz o risco de ferimentos.
- Evite arranques involuntários. Assegure-se de que o gatilho está desligado antes de ligar a ferramenta à corrente eléctrica e/ou as baterias e antes de levantar ou transportar a ferramenta.** Se mantiver o dedo carregado no gatilho quando transportar ferramentas eléctricas ou se ligá-las à fonte de alimentação com o gatilho ligado, isso pode dar origem a acidentes.
- Retire eventuais chaves de ajuste ou chaves de fendas antes de ligar a ferramenta eléctrica.** Uma chave de fenda ou de ajuste fixada numa peça rotativa da ferramenta eléctrica pode causar ferimentos.
- Não tente chegar a pontos fora do alcance. Mantenha sempre os pés bem apoiados e um equilíbrio adequado.** Desta forma, será mais fácil controlar a ferramenta eléctrica em situações inesperadas.
- Use vestuário adequado. Não use roupa larga ou jóias. Mantenha o cabelo, a roupa e as luvas afastados das peças móveis.** As roupas largas, as jóias ou o cabelo comprido podem ficar presos nestas peças.

- g. Se for prevista a montagem de dispositivos de extracção e recolha de poeiras, assegure-se de que estão ligados e que são utilizados de forma correcta.** A utilização de dispositivos de recolha de poeira pode reduzir os riscos inerentes.
- h. Não permita que o facto de estar familiarizado com a utilização frequente das ferramentas o torne complacente e ignore os princípios de segurança da ferramenta.** Uma acção irreflectida pode causar ferimentos numa fracção de segundo.
- 4. Utilização e manutenção da ferramenta eléctrica**
- a. Não sobrecarregue a ferramenta eléctrica. Utilize a ferramenta eléctrica correcta para o seu trabalho.** A ferramenta eléctrica adequada efectua o trabalho de maneira mais eficiente e segura se for utilizada de acordo com a capacidade para a qual foi concebida.
- b. Não utilize a ferramenta eléctrica se não conseguir ligar ou desligar o gatilho.** Qualquer ferramenta eléctrica que não possa ser controlada através do gatilho é perigosa e tem de ser reparada.
- c. Desligue a ficha da tomada e/ou a bateria da ferramenta eléctrica antes de proceder a ajustes, substituir acessórios ou guardar ferramentas eléctricas.** Estas medidas de segurança preventivas reduzem o risco de ligar a ferramenta eléctrica acidentalmente.
- d. Mantenha as ferramentas eléctricas que não estiverem a ser utilizadas fora do alcance das crianças. Não permita que a ferramenta eléctrica seja utilizada por pessoas não familiarizadas com a mesma ou que não tenham lido estas instruções.** As ferramentas eléctricas são perigosas nas mãos de pessoas que não possuam as qualificações necessárias para manuseá-las.
- e. Proceda à manutenção das ferramentas eléctricas. Verifique se as partes móveis estão desalinhasadas ou bloqueadas, se existem peças partidas ou qualquer outra situação que possa afectar o funcionamento das ferramentas eléctricas. Se a ferramenta eléctrica estiver danificada, esta não deve ser utilizada até que seja reparada.** Muitos acidentes têm como principal causa ferramentas eléctricas com uma manutenção insuficiente.
- f. Mantenha as ferramentas de corte afiadas e limpas.** As ferramentas de corte sujeitas a uma manutenção adequada, com arestas de corte afiadas, bloqueiam com menos frequência e controlam-se com maior facilidade.
- g. Utilize a ferramenta eléctrica, os acessórios e as peças de ferramenta, etc., de acordo com estas instruções, considerando as condições de trabalho e a tarefa a ser executada.** A utilização da ferramenta eléctrica para fins diferentes dos previstos pode resultar em situações perigosas.
- h. Mantenha os punhos e as superfícies de preensão secos, limpos e sem qualquer óleo ou gordura.** Se o punho estiver escorregadio e as superfícies tiverem gordura, isso não permite um manuseamento e controlo seguros da ferramenta em situações inesperadas.
- 5. Utilização e cuidados a ter com a ferramenta com baterias**
- a. Carregue apenas com o carregador especificado pelo fabricante.** Um carregador adequado para um tipo de bateria pode causar um incêndio se for utilizado com outra bateria.
- b. Utilize ferramentas eléctricas apenas com baterias específicas.** A utilização de outras baterias pode dar origem a danos e incêndio.
- c. Quando não utilizar as baterias, mantenha-as afastadas de outros objectos metálicos, tais como cliques para papel, moedas, chaves, pregos, parafusos ou outros pequenos objectos metálicos que permitam fazer a ligação de um terminal para outro.** O curto-circuito de terminais das baterias pode causar queimaduras ou incêndio.
- d. Em condições abusivas, pode derramar líquido das baterias, devendo evitar o contacto. Se tocar acidentalmente no líquido, lave bem com água. Se o líquido entrar em contacto com os olhos, consulte um médico.** O líquido derramado da bateria pode causar irritação ou queimaduras.
- e. Não utilize as pilhas ou uma ferramenta que estejam danificadas ou modificadas.** As baterias danificadas ou modificadas podem ter um comportamento imprevisível, podendo dar origem a um incêndio, explosão ou risco de ferimentos.
- f. Não exponha as pilhas ou a ferramenta ao fogo ou excesso de temperatura.** A exposição a fogo ou a uma temperatura superior a 130 °C pode dar origem a uma explosão.
- g. Siga todas as instruções de carregamento e não carregue a bateria ou a ferramenta fora da gama de temperaturas especificadas nas instruções.** Se a carga não for efectuada correctamente ou se a temperaturas não estiverem de acordo com o limite especificado, a bateria pode ficar danificada e há um maior risco de incêndio.
- 6. Assistência**
- a. A ferramenta eléctrica deve ser reparada por pessoal qualificado e só devem ser colocadas peças sobresselentes idênticas.** Desta forma, é garantida a segurança da ferramenta eléctrica.
- b. Nunca repare baterias danificadas.** A reparação das baterias só deve ser efectuada pelo fabricante ou por um fornecedor de serviços autorizado.

## Avisos de segurança adicionais para ferramentas eléctricas



**Atenção!** Avisos de segurança adicionais para corta-sebes

- ◆ **Mantenha todas as partes do corpo afastadas da lâmina de corte. Não remova o material cortado ou material a ser cortado quando as lâminas estiverem em movimento. Certifique-se de que o interruptor está desligado quando desobstruir o material encravado.** Um momento de falta de atenção enquanto trabalha com o corta-sebes poderá causar graves lesões.
- ◆ **Transporte o corta-sebes pelo punho com a lâmina de corte parada. Quando transportar ou armazenar o corta-sebes, coloque sempre a tampa da barra de corte.** O manuseamento correcto do corta-sebes reduz possíveis danos pessoais provocados pelas lâminas de corte.
- ◆ **Quando transportar ou armazenar o corta-sebes, coloque sempre a cobertura da lâmina.** O manuseamento correcto do corta-sebes reduz o risco de ferimentos causados pelas lâminas.
- ◆ **Quando retirar material encravado ou proceder à manutenção da unidade, assegure-se de que todos os interruptores de alimentação estão desligados e que retirou a ficha de alimentação da tomada.** A activação inesperada do corta-sebes durante a remoção de material encravado ou a manutenção pode causar ferimentos graves.
- ◆ **Segure o corta-sebes apenas pelas superfícies de fixação isoladas, porque a lâmina de corte pode entrar em contacto com cablagem escondida ou o próprio cabo.** As lâminas que entrem em contacto com um fio com tensão eléctrica podem fazer com que as peças de metal expostas do corta-sebes sob tensão e electrocitem o operador.
- ◆ **Mantenha todos os cabos e fios de alimentação afastados da área de corte.** Os cabos ou fios de alimentação podem ficar escondidos em sebes ou arbustos e podem ser cortados acidentalmente pela lâmina.
- ◆ **Não utilize o corta-sebes em condições meteorológicas adversas, especialmente se houver risco de relâmpagos.** Isto reduz o risco de ser atingido por relâmpagos.
- ◆ **A utilização pretendida está descrita neste manual de instruções.** A utilização de qualquer acessório ou a realização de qualquer operação com esta ferramenta que não se inclua no presente manual de instruções pode causar ferimentos e/ou danos materiais.

- ◆ Se nunca utilizou o corta-sebes, procure obter instruções práticas de um utilizador com experiência como complemento a este manual.
- ◆ Nunca toque nas lâminas enquanto a ferramenta estiver em funcionamento.
- ◆ Nunca force a paragem das lâminas.
- ◆ Só deve pousar a ferramenta quando as lâminas pararem por completo.
- ◆ Verifique com frequência se as lâminas apresentam danos e desgaste. Não utilize a ferramenta quando as lâminas estiverem danificadas.
- ◆ Quando aparar, evite tocar em objectos duros (por exemplo, cablagem de metal, calhas).
- ◆ Se a ferramenta entrar acidentalmente em contacto com estes objectos, desligue-a imediatamente e verifique se ocorreram danos.
- ◆ Se a ferramenta começar a vibrar anormalmente, desligue-a de imediato e verifique se ocorreram danos.
- ◆ Se a ferramenta encravar, desligue-a de imediato.
- ◆ Depois de utilizá-la, coloque a protecção da lâmina fornecida. Guarde a ferramenta, certificando-se de que a lâmina não está exposta.
- ◆ Certifique-se sempre de que todas as protecções estão colocadas quando utilizar a ferramenta. Nunca tente utilizar uma ferramenta não completa ou uma ferramenta com modificações não autorizadas.
- ◆ Não permita que as crianças utilizem a ferramenta.
- ◆ Tenha atenção aos resíduos que caem quando cortar as partes mais altas de uma sebe.

## Avisos de segurança sobre tesouras para relva:

- ◆ **Não utilize a tesoura para relva em condições meteorológicas adversas, especialmente se houver risco de relâmpagos.** Isto reduz o risco de ser atingido por relâmpagos.
- ◆ **Mantenha todos os cabos e fios de alimentação afastados da área de corte.** Os cabos ou fios de alimentação podem ficar escondidos e ser cortados acidentalmente pela lâmina.
- ◆ **Use protecção auditiva.** A utilização de equipamento de protecção adequado reduz o risco de lesões auditivas.
- ◆ **Segure a tesoura para relva apenas pelas áreas isoladas, porque a lâmina pode entrar em contacto com cablagem oculta.** As lâminas que entrem em contacto com um fio com tensão eléctrica podem fazer com que as peças de metal expostas da tesoura para relva sob tensão e electrocitem o operador.
- ◆ **Mantenha todas as partes do corpo afastadas da lâmina. Não remova o material cortado ou material a ser cortado quando as lâminas estiverem em movimento. As lâminas continuam a mover-se depois do interruptor ter sido desligado.**

Um momento de distração enquanto trabalha com a tesoura para relva pode causar ferimentos graves.

- ◆ **Quando retirar material encravado ou proceder à manutenção da tesoura para relva, assegure-se de que o interruptor de alimentação está desligado e que o botão de desbloqueio está na posição de bloqueio.** A activação inesperada da tesoura para relva durante a remoção de material encravado ou a manutenção pode causar ferimentos graves.
- ◆ **Transporte a tesoura para relva pelo cabo com a lâmina parada e tenha cuidado para não utilizar o interruptor de alimentação.** O transporte correcto da tesoura para relva reduz o risco de arranque acidental e ferimentos causados pelas lâminas.
- ◆ **Quando transportar ou armazenar a tesoura para relva, coloque sempre a cobertura da lâmina.** O manuseamento correcto da tesoura para relva reduz o risco de ferimentos causados pelas lâminas.

## Avisos de segurança adicionais sobre ferramentas eléctricas



**Atenção!** Avisos de segurança adicionais sobre tesouras

- ◆ Nunca deixe que pessoas ou crianças que não estejam familiarizadas com estas instruções utilizem a máquina. As normas locais podem restringir a idade do operador.
- ◆ Tenha em atenção que o operador ou o utilizador é responsável por acidentes ou perigos que possam ocorrer a outras pessoas ou propriedade.
- ◆ Nunca utilize a máquina enquanto estiverem pessoas, em especial crianças, ou animais nas proximidades.
- ◆ Utilize a máquina apenas durante o dia ou com uma luz artificial adequada.
- ◆ Certifique-se sempre de que as aberturas de ventilação não têm resíduos.
- ◆ Utilize apenas as peças e acessórios sobresselentes recomendados pelo fabricante.
- ◆ Verifique e mantenha a máquina com frequência. A máquina só deve ser reparada por um técnico de reparação autorizado.

## Segurança de terceiros

- ◆ Este equipamento pode ser utilizado por crianças com 8 anos de idade e mais e por pessoas que apresentem capacidades físicas, sensoriais ou mentais reduzidas ou que não possuam os conhecimentos e a experiência necessários, se forem vigiadas e instruídas acerca da utilização do equipamento de maneira segura e compreenderem os perigos envolvidos.

- ◆ As crianças não devem mexer no equipamento. A limpeza e manutenção não devem ser efectuadas por crianças sem supervisão.

## Vibração

Os valores de emissão de vibração declarados na secção de dados técnicos e na declaração de conformidade foram medidos de acordo com o método de teste padrão fornecido pela norma EN 62841 e podem ser utilizados para comparar ferramentas.

O valor de emissão de vibração declarado pode ser também utilizado numa avaliação preliminar de exposição.

**Atenção!** O valor da emissão de vibração durante a utilização real da ferramenta eléctrica pode ser diferente do valor declarado, dependendo da maneira como a ferramenta é utilizada. O nível de vibração pode aumentar acima do nível indicado.

Quando avaliar a exposição da vibração para determinar as medidas de segurança exigidas pela Directiva 2002/44/CE para proteger pessoas que utilizem com frequência ferramentas eléctricas na sua actividade profissional, deve ser considerada uma estimativa da exposição à vibração, as condições reais de utilização e o modo de utilização da ferramenta, incluindo ainda todas as partes do ciclo de funcionamento, como os períodos de inactividade e espera da ferramenta, além do tempo de funcionamento.

## Etiquetas colocadas na ferramenta

Os seguintes pictogramas, assim como o código de data, estão indicados na ferramenta:



**Atenção!** Para reduzir o risco de ferimentos, o utilizador deve ler o manual de instruções.



Utilize óculos ou viseiras de protecção quando utilizar esta ferramenta.



Não exponha a ferramenta à chuva ou humidade elevada.



Esteja atento a lâminas afiadas. As lâminas continuam a mover-se após o motor ter sido desligado.



Esteja atento à projecção de objectos. Mantenha os transeuntes afastados.



**Perigo!** Mantenha as mãos afastadas da lâmina



Dispositivo de classe III.



Potência sonora garantida pela Directiva 2000/14/CE.

## Instruções de segurança adicionais para baterias e carregadores

### Baterias

- ◆ Nunca tente abrir a bateria, seja qual for o motivo.
- ◆ Não exponha a bateria à água.
- ◆ Não armazene em locais onde a temperatura possa exceder os 40 °C.
- ◆ Carregue apenas a temperaturas ambiente entre 10 °C e 40 °C.
- ◆ Carregue apenas com o carregador fornecido com o equipamento/ferramenta. A utilização do carregador errado pode resultar em choque eléctrico ou sobreaquecimento da bateria.
- ◆ Quando eliminar as baterias, siga as instruções da secção "Protecção do ambiente".
- ◆ Não danifique/deforme a bateria por perfuração ou impacto, porque pode causar ferimentos e incêndio.
- ◆ Não carregue baterias danificadas.
- ◆ Em condições extremas, pode ocorrer uma fuga nas baterias. Se detectar fuga de electrólito das baterias, limpe o líquido cuidadosamente com um pano. Evite o contacto com a pele.
- ◆ Em caso de contacto com a pele ou com os olhos, siga as instruções indicadas abaixo.

**Atenção!** O electrólito da bateria pode causar ferimentos ou danos materiais. Em caso de contacto com a pele, enxágue imediatamente com água. Em caso de vermelhidão, dor ou irritação, contacte um médico. Se entrar em contacto com os olhos, enxágue imediatamente com água limpa e procure ajuda médica.

### Carregadores

O carregador foi concebido para uma tensão específica. Verifique sempre se a tensão de alimentação corresponde à tensão indicada na placa sinalética.

**Atenção!** Nunca substitua a unidade do carregador por uma tomada de alimentação normal.

- ◆ Utilize o carregador BLACK+DECKER apenas para carregar a bateria da ferramenta com a qual foi fornecida. Outras baterias podem rebentar, provocando ferimentos e danos.
- ◆ Nunca tente carregar baterias não recarregáveis.
- ◆ Se o cabo de alimentação estiver danificado, deve ser substituído pelo fabricante ou por um centro de assistência autorizado da BLACK+DECKER, de modo a evitar situações de perigo.
- ◆ Não exponha o carregador à água.
- ◆ Não abra o carregador.
- ◆ Não perfure o carregador.
- ◆ O equipamento/ferramenta/bateria deve ser colocada numa área com boa ventilação durante o carregamento.



O carregador deve ser utilizado apenas em espaços interiores.



Antes da utilização, leia o manual de instruções.

### Segurança eléctrica



O carregador tem isolamento duplo. Por conseguinte, não necessita de ligação à terra. Verifique sempre se a tensão de alimentação corresponde à tensão indicada na placa sinalética.

- ◆ Se o cabo de alimentação estiver danificado, deve ser substituído pelo fabricante ou por um centro de assistência autorizado da BLACK+DECKER, de modo a evitar situações de perigo.

**Atenção!** Nunca substitua a unidade do carregador por uma tomada de alimentação normal.

### Componentes

1. Interruptor para ligar/desligar
2. Botão de desbloqueio
3. Botão de libertação da lâmina
4. Lâmina da tesoura (GSL200/GSL700)
5. Lâmina de corte (GSL300/GSL700)
6. Indicador de carga

### Montagem

**Atenção!** Evite ligar a ferramenta de maneira acidental durante a montagem.

### Fixar o suporte na parede (Fig. A e B)

O suporte de parede pode ser fixado na parede para proporcionar uma arrumação adequada e um ponto de carga da ferramenta.

- ◆ Na parede, aperte os parafusos nos furos das saliências do suporte de parede.
- ◆ Coloque a ferramenta no suporte de parede.
- ◆ Ligue o carregador e verifique se o indicador de carga (6) se acende (Fig. A).
- ◆ Se necessário, utilize as duas cavilhas (7) abaixo do suporte de parede para guardar a lâmina sobresselente (Fig. B).

**Atenção!** Quando montar o suporte na parede, evite danificar o cabo de alimentação.

### Remover a ficha do carregador do suporte de parede (Fig. C)

A ferramenta pode ser carregada sem utilizar o suporte de parede. A ficha do carregador pode ser ligada directamente à ferramenta.

- ◆ Retire os parafusos da parte de trás do suporte de parede.



- ◆ Deslize a parte de trás (8) da parte dianteira (9) para abrir o suporte de parede.
- ◆ Remover a ficha do carregador do suporte de parede.

### Colocar e remover a lâmina (Fig. D e E)

A lâmina do aparador (4) foi concebida para aparar relva e ervas daninhas. A lâmina de corte (5) foi concebida para aparar sebes e arbustos.

- ◆ Remova a cobertura da lâmina.
- ◆ Pressione e mantenha pressionado o botão de desbloqueio das lâminas (3) na direcção da seta (Fig. D1).
- ◆ Faça deslizar a cobertura da lâmina (10) para trás e levante-a (Fig. D2).
- ◆ Baixe a lâmina na direcção dos pinos.
- ◆ Enquanto segura a lâmina na direcção dos pinos (Fig. E1), volte a colocar a cobertura da lâmina (10) e deslize-a para a frente (Fig. E2).

**Nota:** Não é necessário alinhar a lâmina com o pino de accionamento e não é necessário carregar no botão de libertação da cobertura da lâmina quando voltar a instalar a cobertura da lâmina.

### Utilização

**Atenção!** Não altere o ritmo de funcionamento da ferramenta. Não sobrecarregue.

### Carregar a bateria

A bateria tem de ser carregada antes da primeira utilização e sempre que não conseguir produzir potência suficiente em trabalhos anteriormente feitos sem dificuldade. Quando carregar a bateria pela primeira vez, ou após um período de armazenamento prolongado, só irá aceitar 80 % de carga. Depois de vários ciclos de carregamento e descarregamento, a bateria irá atingir a capacidade total. As baterias podem aquecer durante o carregamento. Isto é normal e não indica um problema.

**Atenção!** Não carregue a bateria a temperaturas ambiente inferiores a 10 °C ou superiores a 40 °C. Temperatura de carregamento recomendada: aproximadamente 24 °C.

A ferramenta pode ser deixada sempre ligada ao carregador. Para maximizar a duração da bateria, é recomendável manter a bateria ligada ao carregador quando não utilizar a ferramenta. Quando a bateria estiver totalmente carregada, o consumo de energia do carregador é insignificante.

### Carregar no suporte de parede (Fig. F)

- ◆ Coloque a ferramenta no suporte de parede (11).
- ◆ Ligue o carregador.

### Carregar com a ficha do carregador (Fig. G)

A ficha do carregador está equipada com sistemas de bloqueio para impedir a utilização de um carregador incorrecto.

- ◆ Insira a ficha do carregador (12) no conector do carregador na parte de trás da ferramenta.
- ◆ Ligue o carregador.

### GSL700 - Carregar a bateria

- ◆ Carregue a bateria.

Quando a bateria está a carregar, o indicador de carga (6) começa a piscar. O indicador de carga pára de piscar quando a carga for concluída.

### GSL200/GSL300 - Carregar a bateria

- ◆ Carregue a bateria.

Quando a bateria está a carregar, o indicador de carga (6) começa a piscar. O indicador de carga pára de piscar quando a carga for concluída. O indicador de carga começa a piscar rapidamente, isso significa que ocorreu um problema de carga. Se ocorrer um problema de carga, retire o suporte de parede para ligar a ferramenta directamente à ficha do carregador. Se o problema de carga continuar, o carregador deve ser desligado da rede eléctrica e entregue num centro de assistência autorizado para reparação.

### Ligar e desligar (Fig. H)

#### Ligar

- ◆ Pressione e mantenha pressionado o botão de bloqueio (2) para a direita ou para a esquerda e depois pressione o interruptor de ligar/desligar (1).
- ◆ Liberte o botão de desbloqueio.

#### Desligar

- ◆ Solte o interruptor de ligar/desligar (1).

**Atenção!** Nunca tente bloquear o interruptor na posição Ligar.

### Sugestões para uma utilização ideal (Fig. I e J)

- ◆ Antes da primeira utilização, pulverize a lâmina com uma ligeira camada de óleo de utilização geral e sempre que as lâminas começarem a parecer secas.

### Aparar relva

- ◆ Para obter os melhores resultados, corte apenas relva seca.
- ◆ Segure na ferramenta conforme indicado na Fig. I. Mantenha a outra mão afastada da lâmina. Mantenha uma posição de trabalho estável para não escorregar. Não se estique demasiado quando trabalhar com a ferramenta.

- ◆ Quando cortar relva crescida, trabalhe por fases a partir do topo.  
Efectue pequenos cortes.
- ◆ Mantenha a ferramenta afastada dos objectos duros e plantas delicadas.
- ◆ Se a ferramenta perder velocidade, reduza a carga.
- ◆ Para cortes mais rentes, incline ligeiramente a ferramenta.

### Aparar sebes

- ◆ Incline ligeiramente a ferramenta (até 15° relativamente à linha de corte) para que as pontas da lâmina apontem ligeiramente para a sebe (Fig. J). Isto faz com que as lâminas cortem com mais eficácia.
- ◆ Comece por aparar a parte superior da sebe. Segure na ferramenta no ângulo pretendido e move-a firmemente ao longo da linha de corte. A lâmina de corte de face dupla permite cortar em qualquer direcção.
- ◆ Para obter um corte bastante direito, estique a mola ao longo do comprimento da extremidade à altura desejada. Utilize a mola como linha de orientação, corte exactamente acima.
- ◆ Para obter extremidades lisas, corte de baixo para cima no sentido do crescimento. As hastes mais jovens movem-se para fora quando a lâmina corta de cima para baixo, causando manchas superficiais na sebe.
- ◆ Evite cortar objectos estranhos. Evite em especial cortar cablagem metálica e calhas, porque podem danificar as lâminas.
- ◆ Lubrifique as lâminas com frequência.

### Linhas de orientação para aparar (Reino Unido e Irlanda)

- ◆ Aparar sebes e arbustos cobertos com folhas sazonais (novas folhas em cada ano) em Junho e Outubro.
- ◆ Podar folhas perenes (sempre-verdes) em Abril e Agosto.
- ◆ Podar coníferas e outros arbustos de crescimento rápido a cada seis meses de Maio até Outubro.

### Linhas de orientação para podar (Austrália e Nova Zelândia)

- ◆ Aparar sebes e arbustos cobertos com folhas sazonais (novas folhas em cada ano) em Dezembro e Março.
- ◆ Podar folhas perenes (sempre-verdes) em Setembro e Fevereiro.
- ◆ Podar coníferas e outros arbustos de crescimento rápido a cada seis meses de Outubro até Março.

### Manutenção

O seu equipamento/ferramenta com/sem fios BLACK+DECKER foi concebido para funcionar durante muito tempo, com um mínimo de manutenção. Uma utilização continuamente satisfatória depende de uma manutenção adequada da ferramenta e de uma limpeza frequente.

**Atenção!** Antes de proceder a qualquer acção de manutenção em ferramentas eléctricas com cabo/sem fios:

- ◆ Desligue o equipamento/ferramenta e retire a respectiva ficha da tomada.
- ◆ Pode também desligar e retirar a bateria do equipamento/ferramenta caso o equipamento/ferramenta tenha uma bateria individual.
- ◆ Pode deixar também a bateria descarregar por completo se estiver incorporada e, em seguida, desligue-a.
- ◆ Desligue o carregador antes de limpá-lo. Além da limpeza frequente, o carregador não necessita de manutenção.
- ◆ Limpe com frequência as aberturas de ventilação do equipamento/ferramenta/carregador com uma escova macia ou um pano seco.
- ◆ Limpe com frequência o compartimento do motor com um pano húmido.  
Não utilize produtos de limpeza abrasivos ou à base de dissolventes.
- ◆ Abra o mandril com frequência e bata no mesmo para remover qualquer vestígio de pó do interior (se estiver instalado).
- ◆ Após a utilização, limpe as lâminas com cuidado. Após a limpeza, aplique uma película de óleo ligeiro para máquinas para evitar o aparecimento de ferrugem.

### Armazenamento

Quando a ferramenta não for utilizada durante vários meses, deixe, de preferência, a bateria ligada ao carregador. Caso contrário, proceda da seguinte forma:

- ◆ Carregue a bateria por completo.
- ◆ Guarde a ferramenta num local seguro e seco. A temperatura de armazenamento deve situar-se sempre entre +10 °C e +40 °C.
- ◆ Antes de utilizar a ferramenta após um tempo de inactividade prolongado, carregue totalmente a bateria de novo.

### Protecção do ambiente



Faça uma recolha de lixo selectiva. Os produtos e as baterias assinalados com este símbolo não devem ser eliminados juntamente com o lixo doméstico normal.

Os produtos e as baterias contêm materiais que podem ser recuperados ou reciclados, reduzindo assim a necessidade de matérias-primas.

Recicle os produtos eléctricos e as baterias de acordo com as disposições locais. Estão disponíveis mais informações em [www.2helpU.com](http://www.2helpU.com)

**Dados técnicos**

		GSL200	GSL300	GSL700
Tensão	V <sub>CC</sub>	3,6	3,6	7,0
Cursos da lâmina (sem carga)	min. <sup>-1</sup>	850	850	850
Comprimento da lâmina (tesoura)	cm	10	-	10
Intervalo entre as lâminas (tesoura)	mm	23	-	23
Comprimento da lâmina (corta-sebes)	cm	-	15	15
Intervalo entre as lâminas (corta-sebes)	mm	-	8	8
Tempo de paragem das lâminas	s	<1	<1	<1
Peso	kg	0,65	0,65	0,65

Carregador	
Tensão de entrada	V <sub>CA</sub> 230
Tensão de saída	V <sub>CC</sub> 15V
Corrente	mA 150mA
Tempo aproximado de carga	h 10h
Peso	kg 0.15

Nível de pressão sonora de acordo com a norma EN 62841:
Pressão sonora (L <sub>pa</sub> ): 75 dB(A), variabilidade (K): 3 dB(A)
Potência sonora (L <sub>wa</sub> ) 84 dB(A), variabilidade (K): 3 dB(A)

Valores totais de vibração (valores totais de vibração) de acordo com a norma EN 62841:
(a <sub>v</sub> ): 2,5 m/s <sup>2</sup> , variabilidade: (K) 1,5 m/s <sup>2</sup>

**DIRECTIVA "MÁQUINAS"  
DIRECTIVA SOBRE RUÍDO EXTERIOR**



GSL200, GSL300, GSL700 - tesoura/corta-sebes

A Black & Decker declara que os produtos descritos nos "dados técnicos" estão em conformidade com:

2006/42/CE e EN 62841-1:2015 + A11:2022,

EN 62841-4-2:2019, EN IEC 62841-4-5:2021+A11:2021

Nível de potência sonora em conformidade com a directiva 2000/14/CE

(Artigo 13, Anexo III):

L<sub>WA</sub> (potência sonora medida): 84 dB(A)

Variabilidade = 3 dB (A)

L<sub>WA</sub> (potência sonora garantida): 87 dB(A)

Estes produtos estão também em conformidade com a Directiva 2014/30/UE e 2011/65/UE.

Para obter mais informações, contacte a Black & Decker através do endereço seguinte ou consulte o verso do manual. O abaixo-assinado é responsável pela compilação do ficheiro técnico e faz esta declaração em nome da Black & Decker.

*Patrick Diepenbach*

Patrick Diepenbach  
Director-Geral, Benelux  
Black & Decker,  
Egide Walschaertsstraat 14-18  
2800 Mechelen, Bélgica  
03/08/2022

**Garantia**

A Black & Decker confia na qualidade dos seus produtos e oferece aos clientes uma garantia de 24 meses a partir da data de compra. Esta garantia é um complemento dos seus direitos estabelecidos por lei, não os prejudicando de forma alguma. A garantia é válida nos Estados-membros da União Europeia e nos países-membros da Zona Europeia de Comércio Livre e Reino Unido.

Para accionar a garantia, esta deve estar em conformidade com os termos e condições da Black&Decker e tem de apresentar o comprovativo de compra ao vendedor ou a um técnico de reparação autorizado. Os termos e condições da garantia de 2 anos da Black&Decker e a localização do agente de reparação autorizado mais próximo podem ser obtidos na Internet em [www.2helpU.com](http://www.2helpU.com) ou contactando uma filial da Black & Decker, cuja morada está indicada neste manual.

Visite o nosso Website [www.blackanddecker.co.uk](http://www.blackanddecker.co.uk) para registar o novo produto Black & Decker e manter-se actualizado relativamente a novos produtos e ofertas especiais.

## Avsedd användning

Din BLACK+DECKER™ GSL200, GSL300, GSL700 trimmer/röjsåg är konstruerad för klippning av häckar, buskar och snår. Detta verktyg är endast avsett för konsumentbruk.

Din BLACK+DECKER laddare har designats för att kunna ladda BLACK+DECKER-batterier av den typ som medföljer detta verktyg.

## Säkerhetsinstruktioner

### Allmänna säkerhetsanvisningar för elverktyg



**Varning! Läs alla säkerhetsvarningar, instruktioner, illustrationer och specifikationer som levereras med detta elverktyg.** Underlåtenhet att läsa alla instruktioner som listas här nedan kan resultera i elektrisk stöt, eldsvåda och/eller allvarlig personskada.

### Spara alla säkerhetsföreskrifter och anvisningar för framtida bruk.

Begreppet "Elverktyg" i alla varningar som listas nedan avser nätdrivna elverktyg (med nätsladd) och batteridrivna elverktyg (sladdlösa).

#### 1. Säkerhet på arbetsplatsen

- Se till att arbetsområdet är rent och väl belyst.**  
Belamrade och mörka områden inbjuder till olyckor.
- Använd inte elverktyget i explosionsfarlig omgivning, t.ex. i närheten av brännbara vätskor, gaser eller damm.** Elverktyg skapar gnistor som kan antända damm eller ångor.
- Håll barn och åskådare på avstånd vid arbete med elverktyget.** Distractioner kan göra att du förlorar kontrollen.

#### 2. Elsäkerhet

- Elverktygets stickkontakt måste passa i eluttaget. Modifiera aldrig kontakten på något sätt. Använd inga adapterkontakter tillsammans med jordade elverktyg.** Icke modifierade kontakter och passande uttag minskar risken för elektrisk stöt.
- Undvik kroppskontakt med jordade ytor, t.ex. rör, värmeelement, spisar och kylskåp.** Det finns en ökad risk för elektrisk stöt om din kropp är jordansluten eller jordad.
- Utsätt inte elverktyget för regn eller våta omgivelningar.** Vatten som kommer in i ett elverktyg ökar risken för elektrisk stöt.
- Misshandla inte nätsladden. Använd aldrig sladden för att bära, dra eller koppla bort elverktyget från uttaget.**

**Håll sladden borta från värme, olja, skarpa kanter eller rörliga delar.** Skadade eller tilltrasslade sladdar ökar risken för elektrisk stöt.

- Använd en förlängningsladd som lämpar sig för utomhusbruk när du arbetar med elverktyg utomhus.** Användning av en sladd som är lämplig för utomhusbruk minskar risken för elektriska stötar.
- Om du måste använda ett elverktyg på en fuktig plats, bör du använda en strömförsörjning med jordfelsbrytare.** Användning av en jordfelsbrytare minskar risken för elektrisk stöt.

#### 3. Personlig säkerhet

- Var uppmärksam, se på vad du gör och använd sunt omdöme när du använder elverktyget.** Använd inte ett elverktyg när du är trött eller påverkad av droger, alkohol eller mediciner. Ett ögonblicks ouppmärksamhet när du arbetar med elektriska verktyg kan leda till allvarliga personsador.
- Använd personlig skyddsutrustning. Använd alltid skyddsglasögon.** Skyddsutrustning såsom dammfilterskydd, halksäkra säkerhetsskor, skyddshjälm eller hörselskydd som används för lämpliga förhållanden minskar personsador.
- Förhindra oavsiktlig start. Kontrollera att strömbrytaren står i avstängt läge innan du ansluter verktyget till elnätet eller sätter i batteriet, samt innan du tar upp eller bär verktyget.** Att bära elektriska verktyg med fingret på strömbrytaren eller att koppla strömmen till elektriska verktyg när strömbrytaren är på leder till olyckor.
- Ta bort alla inställningsverktyg och skruvnycklar innan du startar elverktyget.** Ett verktyg eller en nyckel som har lämnats kvar på en roterande del av det elektriska verktyget kan orsaka kroppssador.
- Sträck dig inte för mycket. Ha ordentligt föfäste och balans hela tiden.** Detta möjliggör bättre kontroll av elverktyget i oväntade situationer.
- Bär lämpliga kläder. Bär inte lösa kläder eller smycken. Håll hår, beklädnad och handskar borta från delar i rörelse.** Lösa kläder, smycken eller långt hår kan fastna i rörliga delar.
- Om enheten har dammutsugnings- och uppsamlingsutrustning, se till att den är ansluten och används på korrekt sätt.** Användning av dammupsamling kan minska dammrelaterade risker.
- Låt inte förtrogenheten som uppstått genom regelbunden användning av verktyg låta dig bli självsäker och ignorera verktygets säkerhetsprinciper.** En oförsiktig handling kan orsaka allvarliga skador under bråkdelen av en sekund.

#### 4. Användning och skötsel av elverktyg

- Överbelasta inte elverktyget. Använd rätt elverktyg för ditt arbete.**

Det korrekta elverktyget gör arbetet bättre och säkrare vid den hastighet för vilket det konstruerades.

- b. **Använd inte elverktyget om det inte kan startas och stängas av med strömbrytaren.** Ett elverktyg som inte kan kontrolleras med strömbrytaren är farligt och måste repareras.
  - c. **Dra stickproppen ur vägguttaget och/eller ta ut batteriet ur elverktyget innan inställningar görs, tillbehör byts ut eller elverktyget ställs undan.** Sådana förebyggande säkerhetsåtgärder minskar risken att oavsiktligt starta elverktyget.
  - d. **Förvara elverktyg utom räckhåll för barn och låt inte personer som är ovana vid elverktyget eller som inte läst denna bruksanvisning använda det.** Elverktyg är farliga i händerna på ovana användare.
  - e. **Underhålla elverktyg. Kontrollera att rörliga komponenter fungerar felfritt och inte kärvar, att komponenter inte gått sönder eller skadats och inget annat föreligger som kan påverka elverktygets funktion. Om det är skadat, se till att elverktyget blir reparerat före användning.** Många olyckor orsakas av dåligt underhållna elektriska verktyg.
  - f. **Håll skärande verktyg vassa och rena.** Korrekt underhållna kapverktyg med vassa skär är mindre troliga att de fastnar och är lättare att kontrollera.
  - g. **Använd elverktyg, tillbehör, bits m.m. enligt dessa anvisningar, samtidigt som arbetsförhållandena och det arbete som ska utföras beaktas.** Användning av elverktyget för andra uppgifter än vad som avsetts kan resultera i farliga situationer.
  - h. **Håll handtagen och greppytorna torra, rena och fria från olja och fett.** Hala handtag och greppytorna förhindrar säker hantering och kontroll av verktyget i oväntade situationer.
5. **Användning och skötsel av batteridrivet verktyg**
    - a. **Ladda endast med den laddare som är specificerad av tillverkaren.** En laddare som passar en batterityp kan medföra brandrisk om den används ihop med ett annat batteri.
    - b. **Använd endast de batterier som är speciellt avsedda för elverktyget.** Användning av andra batterier kan leda till personskador eller eldsvåda.
    - c. **När batteriet inte används ska du hålla det åtskilt från metallföremål som gem, mynt, nycklar, spik, skruvar och andra små metallföremål som kan orsaka kortslutning mellan batteriets poler.** Kortslutning av batteripolerna kan leda till brännskador eller eldsvåda.
    - d. **Under olämpliga förhållanden kan vätska spruta ut från batteriet. Undvik kontakt. Vid oavsiktlig kontakt, spola med vatten. Om vätskan kommer i kontakt med ögonen, sök också läkarhjälp.** Vätska som sprutar ur batteriet kan orsaka sveda och brännskador.
    - e. **Använd inte batterier eller verktyg som är skadade eller modifierade.**

Skadade eller modifierade batterier kan uppträda oväntat och det kan resultera i brand, explosion eller skador.

- f. **Utsätt inte batteripaket eller verktyg för brand eller höga temperaturer.** Exponering för brand eller temperaturer över 130 °C kan orsaka en explosion.
  - g. **Följ laddningsinstruktionerna och ladda inte batteripaketet eller verktyget utanför det temperaturområde som specificeras i instruktionerna.** Felaktig laddning eller vid temperaturer utanför den specificerade området kan skada batteriet och öka risken för brand.
6. **Service**
    - a. **Låt en kvalificerad reparatör som bara använder identiska reservdelar utföra service på elverktyget.** Detta säkerställer att elverktygets säkerhet bibehålls.
    - b. **Gör aldrig service på skadade batteripaket.** Service på batteripaket skall endast utföras av tillverkaren eller auktoriserad servicepersonal.

## Ytterligare säkerhetsanvisningar för elverktyg



**Varning!** Ytterligare säkerhetsanvisningar för häcksaxar

- ◆ **Håll alla kroppsdelar borta från skärbladet. Ta inte bort klippmaterial och håll inte i material som ska klippas medan bladen rör sig. Kontrollera att strömbrytaren är av när du rensar fastnat material.** Under användning av häcksaxen kan även en kort uppmärksamhet leda till allvarliga kroppsskador.
- ◆ **Bär häcksaxen i handtaget medan den är avstängd. Se alltid till att svärdskyddet är på under transport eller förvaring.** Rätt hantering av häcksaxen minskar risken för kroppsskador av klippbladen.
- ◆ **Se alltid till att svärdskyddet är på under transport eller förvaring av häcksaxen.** Rätt hantering av häcksaxen minskar risken för kroppsskador av klippbladen.
- ◆ **När du rensar material eller servar enheten, se till att alla strömbrytare är avstängda och att nätsladden är fränkopplad.** Öväntad aktivering av häcksaxen vid rensning av materiel eller service kan leda till allvarliga kroppsskador.
- ◆ **Håll endast elverktyget i de isolerade greppytorna eftersom det finns risk för att hyvelstålet kommer i kontakt med sin egen nätsladd.** Blad som kommer i kontakt med en strömförande ledning kan orsaka att elverktygets synliga metalldelar blir strömförande och ger användaren en elstöt.
- ◆ **Håll alla strömkablar borta från klippområdet.** Strömkablar eller sladdar kan döljas bland kvistar och blad och kan därför komma att klippas av oavsiktligt.

- ◆ **Undvik att använda häcksaxen under dåliga väderförhållanden, särskilt när det är risk för åska.** Det minskar risken från att bli träffad av blixten.
- ◆ **Avsedd användning beskrivs i denna bruksanvisning.** Om andra tillbehör eller tillsatser används, eller om någon annan åtgärd än de som rekommenderas i den här bruksanvisningen utförs med verktyget kan personer och/eller egendom ta skada.
- ◆ Om du inte har använt häcksax förut bör du rådfråga någon med erfarenhet samt läsa denna bruksanvisning.
- ◆ Vidrör aldrig bladen medan verktyget är igång.
- ◆ Försök aldrig tvinga bladen att stanna.
- ◆ Lägg inte ned verktyget förrän bladen har stannat helt.
- ◆ Kontrollera regelbundet att bladen inte har skadats eller är slitna. Använd inte verktyget om bladen är skadade.
- ◆ Undvik hårda föremål (t.ex. stålträdsstaket och räcken) när du klipper.  
Om du skulle råka komma åt något sådant föremål måste du omedelbart stänga av verktyget och kontrollera eventuella skador.
- ◆ Om verktyget skulle börja vibrera onormalt måste du omedelbart stänga av det och kontrollera eventuella skador.
- ◆ Stäng av verktyget direkt om det kör fast.
- ◆ Montera det medföljande bladskyddet över bladen efter användning. Förvara verktyget så att bladen inte exponeras.
- ◆ Se till att alla skydd alltid sitter på när du använder verktyget. Försök aldrig att använda ett ofullständigt verktyg med icke auktoriserade ändringar.
- ◆ Låt aldrig barn använda verktyget.
- ◆ Se upp för nedfallande skräp när du klipper höga häckar.

### Säkerhetsvarning för grässax:

- ◆ **Undvik att använda grässaxen under dåliga väderförhållanden, särskilt när det är risk för åska.** Det minskar risken från att bli träffad av blixten.
- ◆ **Håll alla strömkablar borta från klippområdet.** Strömkablar eller sladdar kan döjas och kan därför komma att klippas av oavsiktligt.
- ◆ **Använd hörselskydd.** Lämpligt hörselskydd minskar risken för hörselskador.
- ◆ **Håll endast grässaxen i de isolerade greppytorna eftersom det finns risk för att skärbladet kommer i kontakt med dolda elledningar.** Blad som kommer i kontakt med en strömförande ledning kan orsaka att elverktygets synliga metalldelar blir strömförande och ger användaren en elstöt.
- ◆ **Håll alla kroppsdelar borta från skärbladet. Ta inte bort klippmaterial och håll inte i material som ska klippas medan bladen rör sig. Bladet fortsätter att rotera efter att brytaren har stängts av.**

Under användning av grässaxen kan även en kort uppmärksamhet leda till allvarliga kroppsskador.

- ◆ **När du rensar material eller servar enheten, se till att strömbrytaren är avstängd och att nätsladden är frånkopplad.**  
Oväntad aktivering av grässaxen vid rensning av material eller service kan leda till allvarliga kroppsskador.
- ◆ **Bär grässaxen i handtaget med bladet stoppat och se till att du inte aktiverar någon strömbrytare.** Rätt hantering av grässaxen minskar risken för kroppsskador av klippbladen.
- ◆ **Se alltid till att svärdskyddet är på under transport eller förvaring av grässaxen.** Rätt hantering av grässaxen minskar risken för kroppsskador av klippbladen.

### Ytterligare säkerhetsanvisningar för elverktyg



**Varning!** Ytterligare säkerhetsanvisningar för klipp huvuden

- ◆ Låt aldrig personer som inte har läst de här instruktionerna eller barn använda maskinen. Det kan finnas lokala bestämmelser om åldersgränser för användaren.
- ◆ Kom ihåg att det är användaren som ansvarar för olyckor och risker som andra människor eller deras egendom.
- ◆ Använd inte maskinen i närheten av andra människor, främst barn eller husdjur.
- ◆ Använd endast maskinen i dagsljus eller i tillräcklig artificiell belysning.
- ◆ Se till att ventilationsöppningarna alltid hålls fria från skräp.
- ◆ Använd endast tillverkarens rekommenderade reservdelar och tillbehör.
- ◆ Kontrollera och underhåll maskinen regelbundet. Låt endast behöriga reparatörer reparera maskinen.

### Säkerhet för andra

- ◆ Denna apparat kan användas av barn från 8 år och personer med nedsatt fysisk eller psykisk förmåga eller bristande erfarenhet eller kunskap, om de övervakas eller får instruktioner om hur apparaten används på ett säkert sätt och är medvetna om riskerna.
- ◆ Barn får inte leka med apparaten. Rengöring och användarunderhåll ska inte utföras av barn utan övervakning.

### Vibrationer

De vibrationsvärden som anges i avsnitten Tekniska data och deklarationen om överensstämmelse har uppmätts i enlighet med en standardtestmetod föreskriven i EN 62841 och kan användas för jämförelse med andra verktyg.

Det angivna vibrationsvärdet kan även användas för en preliminär bedömning av exponeringen.

**Varning!** Vibrationsvärdet under faktisk användning av elverktyget kan skilja sig från det uppgivna värdet beroende på hur verktyget används. Vibrationsnivån kan överstiga den uppgivna nivån.

Vid uppskattningar av exponering för vibrationer i syfte att bedöma vilka säkerhetsåtgärder som är nödvändiga enligt 2002/44/EG för att skydda personer som regelbundet använder elverktyg i arbetet ska man utgå från de faktiska omständigheter under vilka elverktyget används och sättet på vilket det används. Bedömningen ska även ta hänsyn till alla moment i arbetscykeln, t.ex. när verktyget är avstängt och när det går på tomgång såväl som när det faktiskt används.

## Etiketter på verktyget

Följande symboler tillsammans med datumkoden är synliga på verktyget:



**Varning!** Läs bruksanvisningen före användning för att minska risken för personskador.



Bär alltid skydds- eller korgglasögon när du använder verktyget.



Utsätt inte verktyget för regn och väta.



Tänk på att knivarna är vassa. Bladen rör sig en kort stund efter att du har stängt av motorn.



Se upp för flygande föremål. Håll åskådare borta.



**Fara!** Håll alltid händerna undan från klingan



Klass III-apparat.



Garanterad ljudnivå enligt direktiv 2000/14/EG.

- ◆ Ladda endast med hjälp av laddaren som medföljer apparaten/verktyget. Användning av fel laddare kan resultera i en elektrisk stöt eller att batteriet överhettas.
- ◆ Följ instruktionerna i avsnittet "Skydda miljön" när du gör dig av med batterier.
- ◆ Skydda batteriet från skador/deformeringar i form av slag och stötar eftersom det kan leda till personskador eller eldsvåda.
- ◆ Ladda inte skadade batterier.
- ◆ Under extrema förhållanden kan batterierna läcka. Om det finns vätska på batterierna ska du torka bort vätskan försiktigt med en trasa. Undvik hudkontakt.
- ◆ Vid kontakt med hud eller ögon, följ instruktionerna nedan.

**Varning!** Batterivätskan kan orsaka person- eller materialskador. Vid hudkontakt, skölj genast med vatten. Vid rodnader, smärta eller irritation ska läkare uppsökas. Vid kontakt med ögon, skölj genast med rent vatten och uppsök läkare.

## Laddare

Laddaren är avsedd för en viss spänning. Kontrollera alltid att nätspänningen överensstämmer med spänningen på typskylten.

**Varning!** Försök aldrig byta ut laddaren mot en vanlig nätkontakt.

- ◆ Använd endast din BLACK+DECKER-laddare för att ladda batteriet i den apparat som den levererades med. Andra batterier kan spricka och orsaka personskador och andra skador.
- ◆ Försök aldrig att ladda ej uppladdningsbara batterier.
- ◆ Om nätsladden är skadad så måste den bytas ut av tillverkaren eller en auktoriserad BLACK+DECKER-verkstad för att undvika risker.
- ◆ Utsätt inte laddaren för vatten.
- ◆ Öppna inte laddaren.
- ◆ Gör ingen åverkan på laddaren.
- ◆ Redskapet/verktyget/batteriet ska placeras på en plats med god ventilation vid laddning.



Laddaren är endast avsedd för inomhusbruk.



Läs bruksanvisningen före användning.

## Ytterligare säkerhetsinstruktioner för batterier och laddare

### Batterier

- ◆ Försök aldrig öppna batteriet.
- ◆ Utsätt inte batteriet för vatten.
- ◆ Förvara inte på platser där temperaturen kan bli högre än 40 °C.
- ◆ Ladda endast vid temperaturer mellan 10 °C och 40 °C.

### Elsäkerhet



Eftersom laddaren är dubbelisolerad behövs ingen jordledare. Kontrollera alltid att nätspänningen överensstämmer med spänningen på typskylten.

- ◆ Om nätsladden är skadad så måste den bytas ut av tillverkaren eller en auktoriserad BLACK+DECKER-verkstad för att undvika risker.

**Varning!** Försök aldrig byta ut laddaren mot en vanlig nätkontakt.

## Funktioner

1. Strömbrytare
2. Låsknapp
3. Frigöringsknapp för sågblad
4. Skärblad (GSL200/GSL700)
5. Trimblad (GSL300/GSL700)
6. Laddningsindikator

## Montering

**Varning!** Var försiktig så att du inte råkar sätta på verktyget under monteringen.

### Montera laddaren på väggen (bild A och B)

Väggfästet kan monteras på en vägg för att du enkelt ska kunna förvara och ladda apparaten.

- ◆ Fäst skruvarna i väggen genom hålen i väggfästet.
- ◆ Placera verktyget på väggfästet.
- ◆ Anslut laddaren och kontrollera att laddningsindikatorn (6) tänds (bild A).
- ◆ Om det behövs, använd de två pinnarna (7) under väggfästet för att förvara reservbladet (bild B).

**Varning!** Undvika att skada strömledaren vid montering av väggfästet på väggen.

### Ta bort laddarens kontakt från väggfästet (bild C)

Verktyget kan laddas utan att använda väggfästet. Laddarens kontakt kan anslutas till verktyget direkt.

- ◆ Ta bort skruvarna från väggfästets baksida.
- ◆ Skjut bort den bakre delen (8) från den främre delen (9) för att öppna väggfästet.
- ◆ Ta bort laddarens kontakt från väggfästet.

### Montera och ta bort bladet (bild D, E)

Klippbladet (4) har konstruerats för trimning av gräs och ogräs. Trimbladet (5) har konstruerats för trimning av häckar och buskar.

- ◆ Ta bort bladskyddet.
- ◆ Tryck på och håll ned sågbladets låsknapp (3) i pilens riktning (bild D1).
- ◆ Skjut bladskyddet (10) bakåt och ta bort det (bild D2).
- ◆ Placera bladet på stiften.
- ◆ Medan du håller bladet på stiften (bild E1), byt ut bladskyddet (10) och skjut det framåt (bild E2).

**Notera:** Ingen inriktning av bladet med drivstiftet behövs och frigöringsknapp för bladskyddet behöver inte användas vid återmontering av bladskyddet.

## Användning

**Varning!** Låt verktyget arbeta i sin egen takt. Överbelasta inte.

## Ladda batteriet

Batteriet måste laddas innan det används för första gången och sedan varje gång som det inte ger tillräckligt hög effekt för arbeten som annars brukar gå bra. När batteriet laddas för första gången, eller efter en längre tids vila, kan det bara laddas till 80 procent. Det uppnår full kapacitet efter några laddnings- och urladdningscykler. Batteriet kan bli varmt när det laddas. Det är normalt och innebär inte att något är fel.

**Varning!** Ladda inte batteriet om temperaturen i luften är lägre än 10 °C eller högre än 40 °C. Den rekommenderade laddningstemperaturen är cirka 24 °C.

Verktyget kan lämnas ansluten till laddaren hur länge som helst.

Vi rekommenderar att du håller batteriet anslutet till laddaren när verktyget inte används för att maximera batteriets livslängd. När batteriet är fulladdat är laddarens strömförbrukning obetydlig.

### Laddning med väggfästet (bild F)

- ◆ Placera verktyget på väggfästet (11).
- ◆ Anslut laddaren.

### Ladda med laddarens kontakt (bild G)

Laddarens kontakt är utformad med kodning för att förhindra användning med en felaktig laddare.

- ◆ Sätt i laddarens kontakt (12) i laddarens uttag på baksidan av verktyget.
- ◆ Anslut laddaren.

### GSL700 - ladda batteriet

- ◆ Ladda batteriet.

När batteriet laddas blinkar laddningsindikatorn (6).

Laddningsindikatorn slutar att blinka när laddningen är klar.

### GSL200/GSL300 - ladda batteriet

- ◆ Ladda batteriet.

När batteriet laddas blinkar laddningsindikatorn (6).

Laddningsindikatorn slutar att blinka när laddningen är klar.

Laddningsindikatorn blinka snabbt för att indikera ett laddningsproblem. När ett laddningsproblem uppstår, anslut verktyget direkt till laddarens kontakt genom att ta bort väggfästet. Om laddningsproblemet kvarstår måste laddaren kopplas bort från eluttaget och tas till en auktoriserad verkstad för reparation.

## Slå på och av (bild H)

### Slå på

- ◆ Tryck in och håll låsknappen (2) till höger eller vänster och tryck sedan in strömbrytaren (1).
- ◆ Släpp låsknappen.



**Stänga av**

- ◆ Släpp strömbrytaren (1).

**Varning!** Försök aldrig låsa en strömbrytare i påslaget läge.

**Råd för bästa resultat (fig. I, J)**

- ◆ Spraya bladet med en lätt beläggning av standardolja innan den första användningen och närhelst bladen börjar verka torra.

**Klippa gräs**

- ◆ Resultatet blir bäst om gräset är torrt vid klipptillfället.
- ◆ Håll verktyget enligt bild H. Håll den andra handen borta från knivarna. Inta en stabil arbetsposition så att du inte halkar. Böj dig inte för långt.
- ◆ När långt gräs ska trimmas arbetar du i etapper uppifrån och ned.  
Klipp lite åt gången.
- ◆ Undvik att gå nära hårda föremål och känsliga växter.
- ◆ Om redskapet börjar gå långsamt, minska belastningen.
- ◆ Om du vill ha kortare gräs lutar du verktyget lite.

**Klippa häckar**

- ◆ STippa verktyget något (upp till 15° relativt klipplinjen) så att bladspetsarna pekar något mot häcken (fig. J). Då klipper bladen effektivare.
- ◆ Klipp först häckens topp. Håll verktyget i önskad vinkel och flytta det stadigt längs klipplinjen. Du kan klippa åt både höger och vänster.
- ◆ För att få en väldigt rak klipplinje kan du dra ett snöre längs häckens topp vid önskad höjd. Använd det som rättesnöre och klipp strax ovanför.
- ◆ För att få få sidorna platta kan du klippa uppåt i grenarnas växtriktning. Yngre grenar växer utåt när bladet klipper nedåt, vilket skapar hål i häcken.
- ◆ Undvik främmande föremål. Undvik särskilt hårda föremål som ståltråd och räcken, då dessa kan skada bladen.
- ◆ Olja bladen regelbundet.

**Riktlinjer för klippning (Storbritannien och Irland)**

- ◆ Klipp häckar och buskar med ettåriga blad (nya blad varje år) i juni och oktober.
- ◆ Klipp städsegröna häckar och buskar i april och augusti.
- ◆ Klipp barrträd och andra snabbväxande buskar var sjätte vecka från maj till oktober.

**Riktlinjer för klippning (Australien och Nya Zeeland)**

- ◆ Klipp häckar och buskar med ettåriga blad (nya blad varje år) i december och mars.
- ◆ Klipp städsegröna häckar och buskar i september och februari.
- ◆ Klipp barrträd och andra snabbväxande buskar var sjätte vecka från oktober till mars.

**Underhåll**

Din kabelanslutna/sladdlösa BLACK+DECKER-apparat/verktyg är konstruerad för att fungera en lång tid med minsta möjliga underhåll. Kontinuerlig tillfredsställande drift är beroende av ordentlig verktygsvård och regelbunden rengöring.

**Varning!** Innan något underhåll utförs på sladdanslutna/sladdlösa elverktyg:

- ◆ Stäng av apparaten/verktyget och dra ur nätkontakten.
- ◆ Du kan också ta ut batteriet ur redskapet/verktyget om det har ett separat batteri.
- ◆ Om batteriet är inbyggt låter du det laddas ur helt innan avstängningen.
- ◆ Dra ur sladden till laddaren innan du rengör den. Laddaren behöver inget annat underhåll än regelbunden rengöring.
- ◆ Rengör regelbundet redskapets/verktygets/laddarens luftintag med en mjuk borste eller torr trasa.
- ◆ Rengör motor kåpan regelbundet med en fuktig trasa. Använd aldrig något slipande eller lösningsmedelsbaserat rengöringsmedel.
- ◆ Öppna chocken (där sådan finns) med jämna mellanrum och knacka på den för att avlägsna damm som sitter på insidan.
- ◆ Rengör bladen noga efter användning. Lägg på en film lätt smörjolja efter rengöringen, så att bladen inte rostar.

**Förvaring**

Du bör låta batteriet sitta kvar i laddaren när sågen inte ska användas under längre tid (månader). I annat fall gör du följande:

- ◆ Ladda batteriet fullt.
- ◆ Förvara verktyget på ett säkert och torrt ställe. Temperaturen i förvaringsutrymmet måste alltid ligga mellan +10°C och +40°C.
- ◆ Ladda batteriet fullt innan du använder verktyget efter att det legat oanvänt under en längre tid.

**Skydda miljön**

Separat insamling. Produkter och batterier som är markerade med denna symbol får inte kastas i de vanliga hushållssoporna.

Produkter och batterier innehåller material som kan återanvändas eller återvinnas för att minska behovet av råmaterial.

Återvinn elektriska produkter och batterier enligt lokala föreskrifter. Närmare information finns tillgänglig på [www.2helpU.com](http://www.2helpU.com)

## Tekniska data

		GSL200	GSL300	GSL700
Spänning	$V_{DC}$	3,6	3,6	7,0
Bladfrekvens (utan belastning)	$\text{min}^{-1}$	850	850	850
Bladlängd (skärblad)	cm	10	-	10
Bladavstånd (skärblad)	mm	23	-	23
Bladlängd (trimmer)	cm	-	15	15
Bladavstånd (trimmer)	mm	-	8	8
Bladets stopptid	s	< 1	< 1	< 1
Vikt	kg	0,65	0,65	0,65

Laddare		
Inspänning	$V_{AC}$	230
Utspänning	$V_{DC}$	15V
Strömstyrka	mA	150mA
Ungefärlig laddningstid	h	10h
Vikt	kg	0.15

Ljudtrycksnivå enligt EN 62841:
Ljudtrycksnivå ( $L_{pA}$ ) 75 dB(A), osäkerhet (K) 3 dB(A)
Ljudeffekt ( $L_{WA}$ ) 84 dB(A), osäkerhet (K) 3 dB(A)

Totala vibrationsvärden (vektorsumman av tre axlar) enligt EN 62841:
( $a_v$ ) 2,5 $\text{m/s}^2$ , osäkerhet (K) 1,5 $\text{m/s}^2$

**MASKINDIREKTIVET  
BULLERFÖRESKRIFTER, UTMOMHUS**



GSL200, GSL300, GSL700 - sax/trimmer

Black & Decker försäkrar att dessa produkter, beskrivna under "tekniska data" uppfyller:

2006/42/EG och EN 62841-1:2015 + A11:2022,  
EN 62841-4-2:2019, EN IEC 62841-4-5:2021+A11:2021

Akustisk effekt enligt 2000/14/EG

(Artikel 13, bilaga III):

$L_{WA}$  (uppmätt ljudeffekt) 84 dB(A)

Osäkerhet = 3 dB(A)

$L_{WA}$  (garanterad ljudnivå) 87 dB(A)

Dessa produkter överensstämmer även med direktiven

2014/30/EU och 2011/65/EU.

Kontakta Black & Decker för ytterligare information på följande adress, eller se handbokens baksida.

Undertecknad är ansvarig för sammanställningen av tekniska data och gör denna försäkran för Black & Decker.

*Patrick Diepenbach*

Patrick Diepenbach  
General Manager, Benelux  
Black & Decker,  
Egide Walschaertsstraat 14-18  
2800 Mechelen, Belgien  
2022-08-03

### Garanti

Black & Decker är säker på kvaliteten hos denna produkt och erbjuder kunder 24 månaders garanti från inköpsdatumet.

Denna garanti är ett tillägg till dina lagstadgade rättigheter och påverkar inte dessa på något sätt.

Garantin är giltig i de områden som tillhör medlemsstaterna i Europeiska unionen och det europeiska frihandelsområdet och Storbritannien.

För yrkande under garantin måste yrkandet vara in enlighet med Black&Deckers villkor och du kommer att behöva skicka in bevis på köpet till försäljaren eller en auktoriserad reparatör.

Villkoren för Black&Deckers tvååriga garanti och var du hittar din närmaste auktoriserade reparatör kan erhållas på internet på [www.2helpU.com](http://www.2helpU.com), eller genom att kontakta ditt lokala Black & Decker kontor på adressen som angetts i denna bruksanvisning.

Besök vår webbplats [www.blackanddecker.se](http://www.blackanddecker.se) för att registrera din nya Black & Decker-produkt samt för att få information om nya produkter och specialerbjudanden.

## Tiltenkt bruk

Din BLACK+DECKER™ GSL200, GSL300, GSL700 saks/trimmer er konstruert for å klippe gress, hekker, busker og kratt. Dette verktøyet er bare ment som et forbrukerverktøy.

Laderen fra BLACK+DECKER er utformet for å lade BLACK+DECKER batterier av den typen som følger med dette verktøyet.

## Sikkerhetsanvisninger

### Generelle sikkerhetsadvarsler for elektroverktøy



**Advarsel! Les alle sikkerhetsanvisninger, instruksjoner, illustrasjoner og spesifikasjoner som følger dette elektriske verktøyet.** Manglende overholdelse av instruksjonene som er listet opp under kan resultere i elektrosjokk, ild og/eller alvorlig skade.

### Ta vare på alle advarsler og instruksjoner for fremtidig bruk.

Uttrykket "elektroverktøy" i alle advarslene nedenfor gjelder for strøm-drevne elektroverktøy (med ledning) og batteridrevne elektroverktøy (uten ledning).

#### 1. Sikkerhet i arbeidsområdet

- Hold arbeidsområdet rent og godt opplyst.** Rotete eller mørke områder er en invitasjon til ulykker.
- Ikke arbeid med elektroverktøy i eksplosjonsfarlige omgivelser, for eksempel der det befinner seg brennbare væsker, gass eller støv.** Elektrisk verktøy skaper gnister som kan antenne støv eller gasser.
- Hold barn og andre personer unna når du bruker et elektroverktøy.** Distraksjoner kan føre til at du mister kontrollen.

#### 2. Elektrisk sikkerhet

- Støpselet til verktøyet må passe til stikkkontakten. Aldri modifier støpselet på noen måte. Ikke bruk adapterstøpsler til jordede elektriske verktøy.** Umodifiserte støpsler og stikkontakter som passer vil redusere risikoen for elektrisk sjokk.
- Unngå kroppskontakt med jordede overflater som rør, radiatorer, komfyrer og kjøleskap.** Det er økt risiko for elektrisk støt dersom kroppen din er jordet.
- Ikke utsett elektroverktøy for regn eller fuktighet.** Dersom det kommer vann inn i et elektrisk verktøy vil det øke risikoen for elektrisk sjokk.
- Unngå uforsvarlig behandling av ledningen. Aldri bruk ledningen til å bære, trekke eller dra ut støpselet til det elektriske verktøyet.**

**Hold ledningen borte fra varme, olje, skarpe kanter eller bevegelige deler.** Skadede eller innviklede ledninger øker risikoen for elektrisk sjokk.

- Når du bruker et elektroverktøy utendørs, må du bruke en skjøteledning som er egnet til utendørs bruk.** Bruk av en skjøteledning beregnet for utendørs bruk reduserer risikoen for elektrisk støt.
- Hvis du ikke kan unngå å bruke elektroverktøy på et fuktig sted, må du bruke en strømforsyning som er beskyttet med jordfeilbryter (RCD).** Bruk av jordfeilbryter (RCD) reduserer risikoen for elektrisk støt.

#### 3. Personlig sikkerhet

- Vær oppmerksom, pass på hva du gjør, og vis fornuft når du arbeider med et elektroverktøy. Ikke bruk et elektrisk verktøy dersom du er trøtt eller er påvirket av medikamenter, narkotika eller alkohol.** Ett øyeblikks uoppmerksomhet under bruk av elektriske verktøy kan føre til alvorlig personskade.
- Bruk personlig verneutstyr. Bruk alltid vernerbriller.** Verneutstyr slik som støvmaske, sklisikre vernesko, hjelm, eller hørselsvern brukt under passende forhold vil redusere personskader.
- Forhindre utilsiktet start. Kontroller at bryteren står i posisjon «av» før du kobler til strømkilden og/eller batteripakken, og før du tar opp eller bærer verktøyet.** Å bære elektriske verktøy med fingeren på bryteren eller å sette inn støpselet mens elektriske verktøy har bryteren på øker faren for ulykker.
- Fjern eventuelt innstillingsverktøy eller skruverktøy før du slår på elektroverktøyet.** Et skruverktøy eller en nøkkel som fortsatt er festet til en roterende del av elektroverktøyet, kan føre til personskade.
- Ikke strekk deg for langt. Ha godt fotfeste og stå støtt hele tiden.** Dette fører til at du har bedre kontroll over det elektriske verktøyet ved uventede situasjoner.
- Bruk egnede klær. Ikke ha på deg løstsittende klær eller smykker. Hold hår, antrekk og hanser borte fra bevegelige deler.** Løstsittende klær, smykker og langt hår kan bli fanget opp av bevegelige deler.
- Hvis det kan monteres støvavsug- og oppsamlingsinnretninger, må du forvise deg om at disse er tilkoblet og brukes på riktig måte.** Bruk av støvoppsamlere kan redusere støvrelaterte farer.
- Ikke la erfaring med hyppig bruk av verktøy la deg bli likegyldig og ignorere verktøyet sine sikkerhetsregler.** En uforsiktig handling kan føre til alvorlig personskade på brøkdelen av et sekund.

#### 4. Bruk og stell av elektriske verktøy

- Ikke bruk makt på elektroverktøyet. Bruk det elektriske verktøyet som situasjonen krever.** Det riktige elektriske verktøyet vil gjøre jobben bedre og tryggere ved den hastigheten det ble konstruert for.

- b. **Ikke bruk elektroverktøyet hvis du ikke kan slå det på og av med bryteren.** Ethvert elektrisk verktøy som ikke kan kontrolleres med bryteren er farlig og må repareres.
- c. **Trekk støpselet ut av stikkkontakten og/eller koble fra batteripakken på elektroverktøyet før du utfører innstillinger, bytter tilbehør eller legger elektroverktøyet bort for lagring.** Slike preventive sikkerhetsforanstaltninger reduserer risikoen for å starte det elektriske verktøyet ved et uhell.
- d. **Elektroverktøy som ikke er i bruk, må oppbevares utilgjengelig for barn. Ikke la verktøyet bli brukt av personer som ikke er fortrolige med det, eller som ikke kjenner disse instruksjonene.** Elektriske verktøy er farlige i hendene på utrenede brukere.
- e. **Sørg for vedlikehold av elektroverktøy. Undersøk om bevegelige deler er feiljustert eller blokkert, om deler er skadet, og om det er andre forhold som påvirke elektroverktøys funksjon. Dersom det er skadet, få verktøyet reparert før neste bruk.** Mange ulykker forårsakes av dårlig vedlikeholdte verktøy.
- f. **Hold skjæreverktøy skarpe og rene.** Godt vedlikeholdte skjæreverktøy med skarpe skjærekanter setter seg mindre sannsynlig fast og er lettere å kontrollere.
- g. **Bruk elektroverktøy, tilbehør, bor osv. i henhold til disse instruksjonene. Ta hensyn til arbeidsforholdene og arbeidet som skal utføres.** Bruk av det elektriske verktøyet for oppgaver som er forskjellige fra de som er tiltenkt kan føre til en farlig situasjon.
- h. **Hold håndtakene og gripeflatene tørre, rene og frie for olje og fett.** Glatte håndtak og gripeflater forhindrer trygg håndtering og kontroll av verktøyet i uventede situasjoner.
5. **Bruk og stell av batteriverktøy**
- a. **Ladningen skal bare skje med den laderen som produsenten har spesifisert.** En lader som passer for en type batteripakke kan føre til risiko for brann dersom den brukes på en annen batteripakke.
- b. **Bruk elektroverktøy bare sammen med spesifikt angitte batteripakker.** Bruk av andre batteripakker kan føre til risiko for personskade og brann.
- c. **Når batteripakken ikke er i bruk, må du oppbevare den atskilt fra andre metallgjenstander som binders, mynter, nøkler, spiker, skruer eller andre små metallgjenstander som kan opprette en forbindelse fra en terminal til en annen.** Kortslutning av batteripolene mot hverandre kan føre til brannskader eller brann.
- d. **Ved feilaktig bruk kan det komme væske ut av batteriet, unngå kontakt med den. Dersom du kommer i kontakt med den, skyll av med vann. Dersom du får væsken i øynene, søk legehjelp.** Væske som kommer ut av batteriet kan føre til irritasjon eller brannskader.
- e. **Batteripakke eller verktøy som er skadet eller modifisert skal ikke brukes.** Batterier som er skadet eller modifisert kan ha uventet oppførsel og føre til brann, eksplosjon eller personskader.
- f. **Batteripakken skal ikke utsettes for brann eller for høy temperatur.** Eksponering for brann eller temperaturer over 130 °C kan føre til eksplosjon.
- g. **Følg alle ladeinstrukser og ikke lade batteripakken eller verktøyet utenfor temperaturområdet som angitt i bruksanvisningen.** Feil lading eller ved temperaturer utenfor det angitt området kan skade batteriet og øke faren for brann.
6. **Service**
- a. **Elektroverktøyet skal repareres av kvalifisert personell og bare med originale reservedeler.** Dette vil sikre at verktøyet sikkerhet blir ivarettatt.
- b. **Skadede batteripakker skal aldri repareres.** Service på batteripakker skal kun utføres av produsenten eller autoriserte serviceverksteder.

## Ytterligere sikkerhetsadvarsler for elektroverktøy



**Advarsel!** Ytterligere sikkerhetsadvarsler for hekksaksen

- ◆ **Hold alle kroppsdeler unna kuttebladet.** Når bladene beveger seg, må du ikke fjerne skåret materiale eller holde materiale som skal skjæres. Pass på at bryteren er av når du fjerner materiale som sitter fast. Et øyeblikks uoppmerksomhet under bruk av hekksaksen kan føre til alvorlige personskader.
- ◆ **Bær hekksaksen i håndtaket med skjærebladet stanset. Ved transport eller oppbevaring av hekksaksen skal dekelet for skjæreenheten alltid sitte på.** Ved riktig behandling av hekksaksen reduseres mulige personskader på grunn av skjærebladene.
- ◆ **Ved transport eller oppbevaring av hekksaksen skal dekelet for bladet alltid sitte på.** Ved riktig behandling av hekksaksen reduseres risikoen for personskader på grunn av bladene.
- ◆ **Når du fjerner fastkjørt materiale eller vedlikeholder apparatet, pass på at strømbryteren er av og strømkablen koblet fra.** Uventet start av hekksaksen mens du fjerner fastkjørt materiale eller foretar vedlikehold kan føre til personskader.
- ◆ **Hold elektroverktøyet bare i de isolerte grepsflatene, fordi bladet kan komme i kontakt med skjulte ledninger eller sin egen ledning.** Blad som kommer i kontakt med en strømførende ledning kan føre til at eksponerte metalldele på hekksaksen blir strømførende, og kan gi brukeren støt.
- ◆ **Hold strømledninger og kabler unna klippeområdet.** Under bruk kan ledninger eller kabler være gjemt i busker og kan bli kuttet av bladet ved et uhell.

- ◆ **Unngå å bruke hekksaksen i dårlig vær, spesielt dersom det er fare for lyn og torden.** Dette reduserer risikoen for å bli truffet av lyn.
- ◆ **Bruksområdet er beskrevet i denne bruksanvisningen.** Hvis du bruker annet tilbehør, kobler til annet utstyr eller bruker dette produktet til andre oppgaver enn det som er anbefalt i denne håndboken, kan det medføre fare for personskader og/eller skade på eiendom.
- ◆ Hvis dette er første gang du bruker en elektrisk hekksaks, bør du få veiledning av en erfaren bruker i tillegg til at du studerer denne håndboken.
- ◆ Du må aldri berøre bladene når verktøyet er i gang.
- ◆ Du må aldri prøve å stanse bladene med makt.
- ◆ Du må ikke sette fra deg verktøyet før bladene er stanset helt.
- ◆ Kontroller jevnlig om bladene er skadet eller slitt. Ikke bruk verktøyet når bladene er skadet.
- ◆ Pass på at du unngår harde gjenstander (blant annet metalltråd og gjerder) når du bruker verktøyet. Hvis du treffer slike gjenstander ved et uhell, slår du av verktøyet straks og kontrollerer om det er skadet.
- ◆ Hvis verktøyet begynner å vibrere unormalt, må du slå det av straks og kontrollere om det er skadet.
- ◆ Hvis verktøyet stopper eller kjører seg fast, må du slå det av straks.
- ◆ Etter bruk må du plassere bladbeskytteren som følger med, over bladene. Pass på at bladene er beskyttet når du oppbevarer verktøyet.
- ◆ Pass på at all beskyttelse er montert når du bruker verktøyet. Du må aldri forsøke å bruke et verktøy som ikke er komplett, eller hvor det er foretatt endringer som ikke er godkjent.
- ◆ Du må aldri la barn bruke verktøyet.
- ◆ Vær oppmerksom på rusk som faller ned når du skjærer en høy hekk.

### Sikkerhetsadvarsler for gressaksler:

- ◆ **Unngå å bruke saksen i dårlig vær, spesielt dersom det er fare for lyn og torden.** Dette reduserer risikoen for å bli truffet av lyn.
- ◆ **Hold strømledninger og kabler unna klippeområdet.** Under bruk kan ledninger eller kabler være gjemt og kan bli kuttet av bladet ved et uhell.
- ◆ **Bruk hørselvern.** Adekvat beskyttelse vil redusere faren for hørselsskader.
- ◆ **Hold saksen bare i de isolerte grepsflatene, fordi bladet kan komme i kontakt med skjulte ledninger.** Blad som kommer i kontakt med en strømførende ledning kan føre til at eksponerte metalldeleer på saksen blir strømførende, og kan gi brukeren støt.
- ◆ **Hold alle kroppsdelene unna bladet.**

Når bladene beveger seg, må du ikke fjerne skåret materiale eller holde materiale som skal skjæres. Bladene fortsetter å bevege seg etter at motoren er slått av. Et øyeblikks uoppmerksomhet under bruk av saksen kan føre til alvorlige personskader.

- ◆ **Når du fjerner fastkjørt materiale eller vedlikeholder saksen, pass på at strømbryteren er av og strømkablen koblet fra.** Uventet start av saksen mens du fjerner fastkjørt materiale eller foretar vedlikehold kan føre til personskader.
- ◆ **Bær saksen kun i håndtaket med bladet stoppet, pass på å ikke trykke på strømbryteren.** Ved riktig bæring av saksen reduseres risikoen for utilsikket oppstart og påfølgende personskader på grunn av bladene.
- ◆ **Ved transport eller oppbevaring av saksen skal dekslet for bladet alltid sitte på.** Ved riktig behandling av saksen reduseres risikoen for personskader på grunn av bladene.

### Ytterligere sikkerhetsadvarsler for elektroverktøy



**Advarsel!** Ytterlige sikkerhetsadvarsler for saksler

- ◆ La aldri barn eller personer som ikke kjenner disse instruksjonene, bruke maskinen. Lokale bestemmelser kan legge begrensninger på brukerens alder.
- ◆ Husk at operatøren eller brukeren vil bli gjort ansvarlig for ulykker eller farer for andre personer eller deres eiendom.
- ◆ Ikke bruk maskinen hvis det er personer, spesielt barn, eller dyr i nærheten.
- ◆ Bare bruk maskinen i dagslys eller godt kunstig lys.
- ◆ Pass alltid på at ventilasjonsåpningene er fri for rusk.
- ◆ Bruk bare reservedeler og tilbehør som anbefales av produsenten.
- ◆ Inspiser og vedlikehold maskinen regelmessig. Maskinen må bare repareres av en godkjent reparatør.

### Andre personers sikkerhet

- ◆ Dette apparatet kan brukes av barn som er 8 år eller eldre samt av personer som har reduserte fysiske, sansemessige eller mentale evner, eller som mangler erfaring og kunnskap, hvis de har tilsyn eller har fått veiledning i bruk av apparatet på en trygg måte og forstår farene som foreligger.
- ◆ Barn skal ikke leke med apparatet. Rengjøring og brukervedlikehold skal ikke utføres av barn uten tilsyn.

### Vibrasjon

Vibrasjonsemisjonsverdien som er angitt under tekniske data og samsvarserklæring, er blitt målt i henhold til en standard testmetode som er angitt i EN 62841, og kan brukes til å sammenligne et verktøy med et annet.

Den oppgitte vibrasjonsemissionsverdien kan også brukes til en foreløpig vurdering av eksponering.

**Advarsel!** Vibrasjonsemissionsverdien under faktisk bruk av elektroverktøyet kan avvike fra den oppgitte verdien avhengig av måten verktøyet blir brukt på. Vibrasjonsnivået kan øke over nivået som er oppgitt.

Når det vurderes vibrasjonseksponering for å avgjøre hvilke sikkerhetstiltak som kreves ifølge 2002/44/EF, for å beskytte personer som bruker elektroverktøy regelmessig til arbeidsformål, skal det, når vibrasjonseksponeringen anslås, tas hensyn til de faktiske bruksforholdene og måten verktøyet blir brukt på. Dette inkluderer å ta hensyn til alle deler av brukssyklusen, for eksempel når verktøyet er avslått, når det går på tomgang og når utløseren er trykket inn.

## Etiketter på verktøyet

De følgende symbolene sammen med datokode vises på apparatet:



**Advarsel!** Brukeren må lese håndboken for å redusere risikoen for personskade.



Benytt vernebriller når du bruker dette produktet.



Hold verktøyet unna regn eller høy fuktighet.



Se opp for skarpe blader. Bladene fortsetter å bevege seg etter at motoren er slått av.



Se opp for gjenstander som kastes rundt. Hold andre personer unna.



**Fare!** Hold hendene unna bladet



Klasse III utstyr.



Garantert lydeffekt i henhold til direktiv 2000/14/EU.

## Ytterligere sikkerhetsinstruksjoner for batterier og ladere

### Batterier

- ◆ Forsøk aldri å åpne av noen årsak.
- ◆ Ikke utsett batteriet for vann.
- ◆ Ikke oppbevar det på steder hvor temperaturen kan komme over 40 °C.
- ◆ Lad bare ved temperaturer mellom 10 °C og 40 °C.
- ◆ Bruk bare den laderen som følger med apparatet/verktøyet.

Hvis du bruker feil lader, kan dette føre til et elektrisk støt eller at batteriet overopphetes.

- ◆ Følg instruksjonene i avsnittet "Miljøvern" når du skal kaste batterier.
- ◆ Ikke skad eller deformer batteripakken ved punktering eller støt, da dette kan føre til risiko for personskade og brann.
- ◆ Du må ikke lade skadede batterier.
- ◆ Under ekstreme forhold kan batterilekkasje forekomme. Hvis du oppdager væske på batteriene, må du tørke den forsiktig av med en klut. Unngå kontakt med huden.
- ◆ Hvis væsken kommer i kontakt med huden eller øynene, følger du instruksjonene nedenfor.

**Advarsel!** Batterivæsken kan føre til personskade eller skade på eiendom. Ved hudkontakt skyller du umiddelbart med vann. Hvis huden blir rød eller irritert eller smerter inntreffer, søk øyeblikkelig medisinsk hjelp. Hvis væsken kommer i kontakt med øynene, skyller du umiddelbart med rent vann og søker øyeblikkelig medisinsk hjelp.

### Ladere

Laderen er konstruert for en bestemt spenning. Kontroller alltid at nettspenningen er i overensstemmelse med spenningen på typeskiltet.

**Advarsel!** Ikke skift ut laderen med et vanlig nettstøpsel.

- ◆ Bruk bare BLACK+DECKER-laderen til å lade batteriet i apparatet som laderen ble levert sammen med. Andre batterier kan sprekke og føre til personskade og materiell skade.
- ◆ Prøv aldri å lade ikke-oppladbare batterier.
- ◆ Hvis strømledningen blir skadet, må den byttes av produsenten eller et autorisert BLACK+DECKER-servicesenter for å unngå fare.
- ◆ Ikke utsett laderen for vann.
- ◆ Ikke åpne laderen.
- ◆ Ikke stikk gjenstander eller fingre inn i laderen.
- ◆ Apparatet, verktøyet eller batteriet må plasseres på et sted med god gjennomlufting under lading.



Laderen er bare beregnet for innendørs bruk.



Les denne håndboken før bruk.

### Elektrisk sikkerhet



Denne laderen er dobbeltisolert. Jording er derfor ikke nødvendig. Kontroller alltid at nettspenningen er i overensstemmelse med spenningen på typeskiltet.

- ◆ Hvis strømledningen blir skadet, må den byttes av produsenten eller et autorisert BLACK+DECKER-servicesenter for å unngå fare.

**Advarsel!** Ikke skift ut laderen med et vanlig nettstøpsel.

## Funksjoner

1. På-/av-bryter
2. Låseknapp
3. Bladutløserknapp
4. Klippeblad (GSL200/GSL700)
5. Klippeblad (GSL300/GSL700)
6. Ladeindikator

## Montering

**Advarsel!** Unngå å tiltsiktet slå på verktøyet under montering.

### Montering av veggfestet på veggen (figur A & B)

Veggfestet kan festes til veggen, for oppbevaring av verktøyet på en praktisk måte.

- ◆ Driv skruene i veggen gjennom hullene i veggfestet.
- ◆ Plasser verktøyet på veggfestet.
- ◆ Plugg inn laderen og pass på at ladeindikatoren (6) tennes (figur A).
- ◆ Om nødvendig, bruk de to pinnene (7) under veggfestet for å lagre ekstra blad (figur B).

**Advarsel!** Unngå skader på strømledningen ved montering av veggfestet på veggen.

### Ta av ladestøpselet fra veggfestet (figur C)

Verktøyet kan lades uten bruk av veggfestet. Ladestøpselet kan kobles direkte til verktøyet.

- ◆ Ta ut skruene fra baksiden av veggfestet.
- ◆ Skyv bakdelen (8) fra frontdelen (9) for å åpne veggfestet.
- ◆ Ta av ladestøpselet fra veggfestet.

### Sette inn og ta ut batteriet (figur D og E)

Saksen (4) er utformet med tanke på trimming av gress og ugress. Trimmebladet (5) er utformet med tanke på trimming av hekker og busker.

- ◆ Fjern bladdekslet.
- ◆ Trykk og hold inne bladutløserknappen (3) i pilens retning (figur D1).
- ◆ Skyv bladdekslet (10) bakover, og løft det av (figur D2).
- ◆ Senk bladet ned på pinnene.
- ◆ Mens du holder bladet i pinnene (figur E1), sett på igjen bladdekslet (10) og skyv det forover (figur E2).

**Merk:** Ingen innretning av bladet med drivpinnen er nødvendig, og bruk av bladdekslets låseknapp er ikke nødvendig når bladdekslet settes på igjen.

## Bruk

**Advarsel!** La verktøyet arbeide i sin egen hastighet. Må ikke overbelastes.

## Lading av batteriet

Batteriet må lades før første gang det brukes, og hver gang det ikke lenger gir nok strøm til oppgaver som tidligere ble utført uten problemer. Ved første lading og etter lengre perioder med lagring vil det bare være mulig å lade batteriet med 80 % kapasitet. Etter flere lade- og utladingscykluser vil batteriet få full kapasitet. Batteriet kan bli varmt under lading. Dette er normalt og innebærer ikke feil.

**Advarsel!** Ikke lad batteriet ved omgivelsestemperaturer under 10 °C eller over 40 °C. Anbefalt ladetemperatur er ca. 24 °C.

Apparatet kan være tilkoblet laderen uten tidsbegrensning. For å gi maksimal levetid av batteriet, anbefales der å holde batteriet koblet til laderen når verktøyet ikke er i bruk. Når batteriet er helt ladet, vil laderens strømforbruk være minimalt.

### Lading med veggfestet (figur F)

- ◆ Plasser verktøyet på veggfestet (11).
- ◆ Sett laderen i stikkkontakten.

### Lading med ladestøpselet (figur G)

Ladestøpselet er designet med låser for å forhindre bruk av feil lader.

- ◆ Sett ladestøpselet (12) i laderkontakten bak på verktøyet.
- ◆ Sett laderen i stikkkontakten.

### GSL700 - Lading av batteriet

- ◆ Lade batteriet.

Ved lading av batteriet blinker ladeindikatoren (6).

Ladeindikatoren vil slutte å blinke når ladingen er komplett.

### GSL200/GSL300 - Lading av batteriet

- ◆ Lade batteriet.

Ved lading av batteriet blinker ladeindikatoren (6).

Ladeindikatoren vil slutte å blinke når ladingen er komplett.

Ladeindikatoren blinker raskt for å indikere et ladeproblem.

Når det oppstår et problem med ladingen, koble verktøyet direkte til ladestøpselet ved å fjerne veggfestet. Dersom ladeproblemet fortsatt består, må ladeenheten kobles fra strømmettet og repareres på et autorisert serviceverksted.

## Slå på og av (figur H)

### Slå på

- ◆ Trykk og hold låseknappen (2) til høyre eller venstre og deretter trykke på av/på knappen (1).
- ◆ Slipp låseknappen.

### Slå av

- ◆ Slipp av/på knappen (1).

**Advarsel!** Ikke prøv å låse bryteren i stillingen "på".

## Råd for optimal bruk (figur I og J)

- ◆ Spray bladet lett med et tynt lag av universalolje før første gangs bruk og når bladene begynner å se tørre ut.

### Trimming av gress

- ◆ Klipp bare tørt gress for best mulig resultat.
- ◆ Hold verktøyet som vist i figur I. Hold den andre hånden godt unna bladet. Oppretthold en stabil arbeidsstilling, slik at du ikke sklir. Ikke strekk deg for langt.
- ◆ Når du klipper langt gress, må du arbeide i trinn fra toppen. Kutt litt om gangen.
- ◆ Hold verktøyet unna harde gjenstander og sårbare planter.
- ◆ Hvis verktøyet begynner å gå langsomt, må du redusere belastningen.
- ◆ Hold apparatet litt på skrå for å skjære tettere.

### Trimming av hekker

- ◆ La verktøyet helle litt (opptil 15° i forhold til skjærelinjen), slik at bladspissene peker lett mot hekken (figur J). Da skjærer bladene mer effektivt.
- ◆ Start med å trimme toppen av hekken. Hold verktøyet i ønsket vinkel, og beveg det bestemt langs skjærelinjen. Du kan skjære i begge retninger med det dobbeltsidete bladet.
- ◆ Du kan strekke en snor langs hekken i ønsket høyde for å oppnå et svært jevnt kutt. Bruk snoren til å styre etter, og skjær rett over den.
- ◆ Du oppnår flate sider ved å skjære oppover i vekstretningen. Yngre grener beveger seg utover når bladet skjærer nedover, noe som gir grunne flekker i hekken.
- ◆ Pass på at du unngår fremmedlegemer. Spesielt harde ting som metalltråd og gjerder, da disse kan skade bladene.
- ◆ Smør bladene regelmessig.

### Retningslinjer for trimming (Storbritannia og Irland)

- ◆ Trim hekker og busker som feller løv (nytt løv hvert år) i juni og oktober.
- ◆ Trim eviggrønne vekster i april og august.
- ◆ Trim bartrær og andre busker som vokser raskt, hver sjette uke fra mai til oktober.

### Retningslinjer for trimming (Australia og New Zealand)

- ◆ Trim hekker og busker som feller løv (nytt løv hvert år) i desember og mars.
- ◆ Trim eviggrønne vekster i september og februar.
- ◆ Trim bartrær og andre busker som vokser raskt, hver sjette uke fra oktober til mars.

## Vedlikehold

BLACK+DECKER maskinen/-verktøyet med eller uten ledning er laget for å brukes over lang tid med et minimum av vedlikehold. For at den skal fungere tilfredsstillende over tid, er det viktig å sørge for riktig stell av verktøyet og regelmessig renhold.

**Advarsel!** Før du utfører vedlikehold på elektriskdrevet/batteridrevet elektroverktøy:

- ◆ Slå av apparatet/verktøyet og trekk ut støpselet.
- ◆ Eller slå av apparatet/verktøyet og ta ut batteriet hvis apparatet/verktøyet har separat batteripakke.
- ◆ Eller la batteriet gå helt tomt hvis det er innebygd, og slå deretter av.
- ◆ Trekk ut laderen fra stikkkontakten før du rengjør den. Laderen krever ikke annet vedlikehold enn regelmessig rengjøring.
- ◆ Rengjør ventilasjonsåpningene i apparatet/verktøyet/laderen regelmessig med en myk børste eller tørr klut.
- ◆ Rengjør motorhuset regelmessig med en fuktig klut. Ikke bruk slipende eller løsemiddelbaserte rengjøringsmidler.
- ◆ Åpne chucken og bank på den regelmessig for å fjerne eventuelt støv fra innsiden (hvis det er aktuelt).
- ◆ Rengjør bladene omhyggelig etter bruk. Etter rengjøring påføres en film av lett maskinolje for å hindre at bladene ruste.

## Lagring

Når verktøyet ikke skal brukes på flere måneder, skal helst batteriet være koblet til laderen. Ellers går du frem slik:

- ◆ Lad batteriet fullstendig.
- ◆ Oppbevar verktøyet på et sikkert og tørt sted. Temperaturen under oppbevaring må alltid være i området +10 °C til +40 °C.
- ◆ Før du bruker verktøyet etter lang tids oppbevaring, lader du batteriet fullstendig igjen.

## Miljøvern



Separat avfallshåndtering. Produkter og batterier merket med dette symbolet skal ikke kastes i vanlig husholdningsavfall.

Produkter og batterier inneholder materialer som kan gjenbrukes eller gjenvinnes for å redusere behovet for nye råmaterialer.

Vennligst lever elektrisk utstyr og batterier til gjenbruk i henhold til lokale retningslinjer. Mer informasjon finner du på [www.2helpU.com](http://www.2helpU.com)



## Tekniske data

		GSL200	GSL300	GSL700
Spenning	$V_{DC}$	3,6	3,6	7,0
Antall slag for bladet (uten belastning)	$\text{min}^{-1}$	850	850	850
Bladlengde (saks)	cm	10	-	10
Bladmellomrom (saks)	mm	23	-	23
Bladlengde (trimmer)	cm	-	15	15
Bladmellomrom (trimmer)	mm	-	8	8
Bremsetid for bladet	s	< 1	< 1	< 1
Vekt	kg	0,65	0,65	0,65

Lader		
Inngangsspenning	$V_{AC}$	230
Utgangsspenning	$V_{DC}$	15V
Strøm	mA	150mA
Ca. ladetid	h	10h
Vekt	kg	0.15

Lydtrykknivå i henhold til EN 62841:	
Lydtrykk ( $L_{pA}$ )	75 dB(A), usikkerhet (K) 3 dB(A)
Lydeffekt ( $L_{WA}$ )	84 dB(A), usikkerhet (K) 3 dB(A)

Totale vibrasjonsverdier (triaks vektorsum) bestemt i samsvar med EN 62841:	
$(a_w)$	2,5 $\text{m/s}^2$ , usikkerhet (K) 1,5 $\text{m/s}^2$

**MASKINDIREKTIVET**  
**DIREKTIV FOR UTENDØRSSTØY**



GSL200, GSL300, GSL700 - Saks/trimmer

Black & Decker erklærer at disse produktene, som er beskrevet under "Tekniske data", er i samsvar med:

2006/42/EC and EN 62841-1:2015 + A11:2022,  
EN 62841-4-2:2019, EN IEC 62841-4-5:2021+A11:2021

Lydeffektnivå i henhold til 2000/14/EF

(Artikkel 13, vedlegg III):

$L_{WA}$  (målt lydeffekt) 84 dB(A)

Usikkerhet = 3 dB(A)

$L_{WA}$  (garantert lydeffekt) 87 dB(A)

Disse produktene er også i samsvar med direktiv 2014/30/EU og 2011/65/EU.

For mer informasjon, kontakt Black & Decker på adressen under eller se baksiden av bruksanvisningen.

Undertegnede er ansvarlig for utarbeidelsen av den tekniske dokumentasjonen og gir denne erklæringen på vegne av Black & Decker.

*Patrick Diepenbach*

Patrick Diepenbach  
General Manager, Benelux  
Black & Decker,  
Egide Walschaertsstraat 14-18  
2800 Mechelen, Belgia  
03.8.2022

### Garanti

Black & Decker er trygg på kvaliteten av produktene sine og tilbyr en 24 måneders garanti fra kjøpsdato.

Denne garantierklæringen kommer i tillegg til dine lovbestemte rettigheter og er ikke i konflikt med disse.

Garantien er gyldig innen områdene tilhørende medlemslandene i den Europeiske Union (EU) og det Europeiske Frihandelsområdet (EFTA) og Storbritannia.

For å ta garantien i bruk må kravet være i samsvar med kjøpsbetingelsene fra Black&Decker og du må vise kjøpskvittering til forhandleren eller til et autorisert serviceverksted.

Betingelsene for Black&Deckers 2 års garanti og adressen til din nærmeste autoriserte serviceverksted kan du finne på Internett under [www.2helpU.com](http://www.2helpU.com), eller ved å kontakte ditt lokale Black & Decker kontor, adressen er angitt i denne bruksanvisningen.

Besøk våre nettsider på [www.blackanddecker.no](http://www.blackanddecker.no) for å registrere ditt nye Black & Decker-produkt og for å få informasjon om nye produkter og spesialtilbud.

## Tilsigtet brug

Din BLACK+DECKER™ GSL200, GSL300, GSL700 klipper/trimmer er designet til at trimme græs, hække, buske og brombærbuske. Værktøjet er kun beregnet til privat brug.

Din BLACK+DECKER-lader er udviklet til opladning af BLACK+DECKER-batterier af den type, der følger med dette værktøj.

## Sikkerhedsinstruktioner

### Generelle sikkerhedsadvarsler vedrørende elværktøj



**Advarsel! Læs alle sikkerhedsadvarsler, instruktioner, illustrationer og specifikationer, der følger med dette elværktøj.** Manglende overholdelse af alle nedenstående instruktioner kan medføre elektrisk stød, brand og/eller alvorlige kvæstelser.

### Gem alle advarsler og instruktioner til fremtidig reference.

Begrebet "elværktøj", der benyttes i nedenstående advarsler, henviser til netdrevet elværktøj (med netledning) eller batteridrevet elværktøj (uden netledning).

#### 1. Sikkerhed i arbejdsområdet

- Hold arbejdsområdet rent og ordentligt oplyst.** Rodede eller mørke områder giver anledning til ulykker.
- Brug ikke elværktøj i eksplosive omgivelser, f.eks. hvor der er brændbare væsker, gasser eller støv.** Elværktøj danner gnister, der kan antænde støv eller dampe.
- Hold børn og andre personer i nærheden på afstand, når der arbejdes med elværktøj.** Distractioner kan medføre, at du mister kontrollen.

#### 2. Elektricitet og sikkerhed

- Elværktøjets stik skal passe til kontakten. Stikket må aldrig modificeres på nogen måde. Undlad at bruge adapterstik sammen med (jordforbundet) elektrisk værktøj.** Umodificerede stik og dertil passende stikkontakter reducerer risikoen for elektrisk stød.
- Undgå kropskontakt med jordforbundne overflader som f.eks. rør, radiatorer, komfurer og køleskabe.** Der er øget risiko for elektrisk stød, hvis din krop er jordforbundet.
- Udsæt ikke elværktøj for regn, og brug det ikke, hvor omgivelserne er våde.** Hvis der trænger vand ind i et elektrisk værktøj, øges risikoen for elektrisk stød.
- Pas på, at ledningen ikke beskadiges.**

**Brug aldrig ledningen til at bære, trække værktøjet eller trække det ud af stikkontakten. Hold ledningen borte fra varme, olie, skarpe kanter og bevægelige dele.** Beskadigede eller sammenfiltrede ledninger øger risikoen for elektrisk stød.

- Hvis elværktøj benyttes i det fri, skal der benyttes en forlængerledning, som er godkendt til udendørs brug.** Brug af en ledning, der er egnet til udendørs brug, reducerer risikoen for elektrisk stød.
- Brug en strømkilde med fejlstrømsrelæ, hvis det er nødvendigt at anvende elværktøj på fugtige steder.** Ved at benytte en fejlstrømsafbryder reduceres risikoen for elektrisk stød.

#### 3. Personssikkerhed

- Vær opmærksom, hold øje med, hvad du laver og brug elværktøjet fornuftigt. Betjen ikke værktøjet, hvis du er træt, påvirket af narkotika, alkohol eller medicin.** Et øjeblikvis uopmærksomhed under anvendelse af et elektrisk værktøj kan forårsage alvorlige kvæstelser.
- Brug personligt beskyttelsesudstyr. Bær altid beskyttelsesbriller.** Det er muligt at reducere risikoen for kvæstelser ved alt efter omstændighederne at anvende det passende sikkerhedsudstyr såsom støvmaske, skridsikre sikkerhedssko, sikkerhedshjelm eller høreværn.
- Træf forholdsregler, så utilsigtet start ikke er mulig. Kontrollér, at afbryderkontakten står på slukket, inden værktøjet tilsluttes strømkilden og/eller batteriet, samles op eller bæres.** Når elektrisk værktøj bæres med fingeren på kontakten eller tilsluttes, når kontakten er tændt, giver det anledning til ulykker.
- Fjern indstillingsnøgle eller skruenøgle, inden elværktøjet startes.** En skruenøgle eller anden nøgle, der bliver siddende på en roterende del af elektrisk værktøj, kan give anledning til personskaade.
- Stræk dig ikke for langt. Hold hele tiden en god**

**fordstilling og balance.** Dette udgør at du har bedre kontrol over det elektriske værktøj, når uventede situationer opstår.

- Brug egnet arbejdstøj. Bær ikke løst tøj eller smykker. Hold dit hår, tøj og handske væk fra bevægelige dele.** Løstsiddende tøj, smykker eller langt hår kan blive fanget i bevægelige dele.
- Hvis der kan monteres støvudsugnings- og opsamlingsudstyr, skal dette tilsluttes og benyttes korrekt.** Anvendelse af støvopsamlingsudstyr kan begrænse farer forårsaget af støv.
- Lad ikke kendskab fra hyppig brug af værktøjer gøre dig uforsigtig og få dig til at ignorere principperne for værktøjssikkerhed.** En uforsigtig handling kan forårsage alvorlig personskaade på en brøkdel af et sekund.

#### 4. Brug og vedligeholdelse af elværktøj

- Overbelast ikke elværktøjet.**

- Brug det elværktøj, der er bedst egnet til det arbejde, der skal udføres.** Det korrekte elværktøj klarer opgaven bedre og mere sikkert med den effekt, som det er konstrueret til.
- Brug ikke elværktøjet, hvis afbryderkontakten er defekt.** Alt elektrisk værktøj, der ikke kan kontrolleres med kontakten, er farligt og skal repareres.
  - Træk stikket ud af stikkontakten og/eller batteriet inden indstilling, tilbehørsudskiftning eller opbevaring af elværktøjet.** Sådanne forebyggende sikkerhedsforanstaltninger mindsker risikoen for, at værktøjet startes utilsigtet.
  - Opbevar ubenyttet elværktøj uden for børns rækkevidde. Lad aldrig personer, der ikke er fortrolige med elværktøjet, eller som ikke har læst denne vejledning, benytte maskinen.** El-værktøj er farligt i hænderne på personer, som ikke er instrueret i brugen deraf.
  - Elværktøj skal vedligeholdes. Kontroller, om bevægelige dele er skæve og ikke sidder fast, og om delene er brækket eller beskadiget, så elværktøjets funktion påvirkes.** Hvis det elektriske værktøj er beskadiget, skal det repareres før brug. Mange ulykker er forårsaget af dårligt vedligeholdt værktøj.
  - Hold skæreværktøj skarpt og rent.** Ordentligt vedligeholdt skæreværktøj med skarpe skærekanter har mindre tilbøjelighed til at binde og er lettere at styre.
  - Brug elværktøjet, tilbehøret, værktøjsindsatser osv. i overensstemmelse med disse instruktioner under hensyntagen til arbejdsforholdene og arbejdet, der skal udføres med værktøjet.** Brug af elektrisk værktøj til andre opgaver end dem, det er beregnet til, kan resultere i en farlig situation.
  - Hold håndtagene og håndtagsfladerne tørre, rene og fri for olie og fedt.** Glatte håndtag og håndtagsflader giver ikke en sikker håndtering og kontrol af værktøjet i uventede situationer.
- Brug og pleje af batteriværktøj**
    - Genoplad kun med den oplader, som producenten har angivet.** En oplader, der passer til en type batteripakke, kan udgøre en risiko for brand, når den bruges til en anden type.
    - Elværktøj må kun bruges med batteripakker, der er beregnet hertil.** Brugen af andre batteripakker kan medføre personskaade og brand.
    - Når batteripakken ikke er i brug, skal den holdes på afstand af andre metalgenstande, f.eks. papirclips, mønter, nøgler, søm, skruer og andre små metalgenstande, som kan skabe forbindelse mellem de to poler.** Kortslutning af batteriet kan forårsage forbrændinger eller brand.
    - Under grove forhold kan væske sive ud fra batteriet; undgå kontakt.** Hvis der opstår kontakt ved et uheld, skyl med vand.
  - Hvis væske kommer ind i øjnene, søg omgående lægehjælp.** Væske, der siver ud fra batteriet, kan fremkalde irritationer eller forbrændinger.
  - Brug ikke en batteripakke eller et værktøj, der er beskadiget eller modificeret.** Beskadigede eller modificerede batterier kan udvise uforudsigelig adfærd, hvilket kan resultere i brand, eksplosion eller risiko for personskaade.
  - Udsæt ikke en batteripakke eller et værktøj for ild eller for høj temperatur.** Eksponering for ild eller temperatur på over 130 °C kan forårsage eksplosion.
  - Følg alle opladningsanvisninger, og undlad at oplade batteripakken eller værktøjet uden for det temperaturinterval, der er specificeret i instruktionerne.** En forkert opladning eller opladning uden for det specificerede interval kan beskadige batteriet og øge risikoen for brand.
- Service**
    - Lad kun fagkyndige personer reparere elværktøjet og benyt kun originale reservedele.** Derved sikres det, at værktøjets driftssikkerhed opretholdes.
    - Beskadigede batteripakker må aldrig serviceres.** Service af batteripakker bør kun udføres af producenten eller autoriserede serviceudbydere.

## Yderligere sikkerhedsadvarsler for elværktøj



**Advarsel!** Yderligere sikkerhedsadvarsler for hækkeklippere

- ◆ **Hold alle kropsdele borte fra skæreklingen.** Fjern ikke afklippet materiale, og hold ikke i det materiale, der skal klippes af, mens skærebladene bevæger sig. Kontroller, at der er slukket på afbryderen, når du fjerner fastkørt materiale. Få sekunders uopmærksomhed ved brug af hækkeklipperen kan føre til alvorlige personskaader.
- ◆ **Bær hækkeklipperen i håndtaget, når skærebladet er stoppet.** Monter altid skærebladets afdækning ved transport eller opbevaring af hækkeklipperen. Korrekt håndtering af hækkeklipperen reducerer risikoen for personskaade forårsaget af skærebladene.
- ◆ **Monter altid skærebladets afdækning ved transport eller opbevaring af hækkeklipperen.** Korrekt håndtering af hækkeklipperen vil reducere risikoen for personskaade forårsaget af skærebladene.
- ◆ **Ved rydning af fastklemt materiale eller service af enheden skal du sørge for, at alle strømkontakter er slukkede, og at strømledningen er frakoblet.** Uventet aktivering af hækkeklipperen under rydning af fastklemt materiale eller service kan resultere i alvorlig personskaade.

- ◆ **Hold kun i hækkeklipperens isolerede gribeblader, da klingen kan komme i kontakt med skjulte ledninger eller værktøjets ledning.** Hvis klinger kommer i kontakt med en strømførende ledning, bliver hækkeklipperens blottagte dele strømførende, så brugeren får stød.
- ◆ **Hold alle strømledninger og kabler væk fra skæreområdet.** Strømledninger eller kabler kan være skjult i hække eller buske og kan ved et uheld blive klippet over af skærebladet.
- ◆ **Brug ikke hækkeklipperen under dårlige vejrforhold, især når der er risiko for lynnedslag.** Dette reducerer risikoen for at blive ramt af lynet.
- ◆ **Den tilsigtede anvendelse er beskrevet i denne betjeningsvejledning.** Brug af ekstraudstyr eller tilbehør eller udførelse af andre opgaver med dette værktøj end de, der anbefales i denne vejledning, kan medføre risiko for personskade og/eller materiel skade.
- ◆ Hvis du ikke har brugt en hækkklipper før, skal du ud over at læse denne vejledning så vidt muligt søge praktisk vejledning hos en erfaren bruger.
- ◆ Rør aldrig skæreklingen, mens værktøjet kører.
- ◆ Forsøg aldrig at tvinge skæreklingen til at stoppe.
- ◆ Sæt ikke værktøjet fra dig, før skæreklingen står helt stille.
- ◆ Kontroller regelmæssigt klingerne for beskadigelse og slid. Brug ikke værktøjet, hvis skærebladene er beskadigede.
- ◆ Pas på, at du ikke rammer hårde genstande (f.eks. metaltråde, stakitter) under klipningen. Hvis du ved et uheld rammer en sådan genstand, skal du omgående slukke værktøjet og kontrollere det for beskadigelse.
- ◆ Hvis værktøjet begynder at vibrere unormalt, skal du omgående slukke det og kontrollere det for beskadigelse.
- ◆ Sluk omgående værktøjet, hvis det går i stå.
- ◆ Sæt den medfølgende kappe på skæreklingen efter brug. Værktøjet må ikke opbevares med utildækket skæreblad.
- ◆ Kontroller altid, at alle afskærmninger er monteret, når du bruger værktøjet. Forsøg aldrig at bruge et mangelfuldt værktøj eller et værktøj, hvor der er foretaget uautoriserede ændringer.
- ◆ Lad aldrig børn bruge værktøjet.
- ◆ Vær opmærksom på nedfaldende afklip ved klipning af høje hække.
- ◆ **Bær høreværn.** Passende beskyttelsesudstyr vil reducere risikoen for høretab.
- ◆ **Hold kun i græssaksens isolerede gribeblader, da klingen kan komme i kontakt med skjulte ledninger.** Hvis klinger kommer i kontakt med en strømførende ledning, bliver græssaksens blottagte dele strømførende, så brugeren får stød.
- ◆ **Hold alle kropsele borte fra klingen. Fjern ikke afklippet materiale, og hold ikke i det materiale, der skal klippes af, mens skærebladene bevæger sig. Klingen fortsætter med at bevæge sig, efter at kontakten er slukket.** Få sekunders uopmærksomhed ved brug af græssaksen kan føre til alvorlige personskader.
- ◆ **Når du fjerner fastklemt materiale eller foretager service på græssaksen, skal du sørge for, at strømafbryderen er slukket, og at låsen er i låst position.** Uventet aktivering af græssaksen under rydning af fastklemt materiale eller service kan resultere i alvorlig personskade.
- ◆ **Bær græssaksen i håndtaget, når klingen er stoppet, og pas på ikke at betjene afbryderen.** Når græssaksen bæres korrekt, vil det reducere risikoen for utilsigtet start og dermed personskade forårsaget af skærebladene.
- ◆ **Brug altid skærebladets afdækning ved transport eller opbevaring af græssaksen.** Korrekt håndtering af græssaksen vil reducere risikoen for personskade forårsaget af skærebladene.

## Yderligere sikkerhedsadvarsler for elværktøj



**Advarsel!** Yderligere sikkerhedsadvarsler for havesakse

- ◆ Lad ikke børn eller personer, der ikke har læst denne vejledning, benytte maskinen. Lokale regler kan begrænse brugerens alder.
- ◆ Vær opmærksom på, at brugeren er ansvarlig for ulykker eller risici, som andre eller andres ejendom udsættes for.
- ◆ Brug aldrig maskinen, mens der er andre i nærheden, især børn eller kæledyr.
- ◆ Brug kun maskinen i dagslys eller ved god kunstig belysning.
- ◆ Hold altid ventilationsåbningerne fri for snavs.
- ◆ Brug kun reservedele og tilbehør, der anbefales af producenten.
- ◆ Inspicer og vedligehold maskinen regelmæssigt. Maskinen må kun repareres på et autoriseret værksted.

## Sikkerhedsadvarsler for græssakse:

- ◆ **Brug ikke græssaksen under dårlige vejrforhold, især når der er risiko for lynnedslag.** Dette reducerer risikoen for at blive ramt af lynet.
- ◆ **Hold alle strømledninger og kabler væk fra skæreområdet.** Strømledninger eller kabler kan være skjult og kan ved et uheld blive klippet over af skærebladet.

## Andres sikkerhed

- ◆ Dette apparat kan bruges af børn i en alder fra 8 år og derover og personer med nedsatte fysiske, sensoriske eller mentale evner eller manglende erfaring og viden, hvis det sker under overvågning, eller de vejledes i brugen af apparatet på en sikker måde, og de forstår de farer, som er forbundet dermed.
- ◆ Børn må ikke lege med apparatet. Rengøring og brugervedligeholdelse må ikke foretages af børn uden opsyn.



Udstyr fra klasse III.



Direktiv 2000/14/EF garanterer lydeffekt.

## Yderligere sikkerhedsvejledninger for batterier og ladere

### Batterier

- ◆ Forsøg aldrig at åbne den af en eller anden grund.
- ◆ Batteriet må ikke udsættes for fugt.
- ◆ Må ikke opbevares på steder, hvor temperaturen kan overstige 40°C.
- ◆ Oplad kun ved omgivelsestemperaturer på mellem 10°C og 40°C.
- ◆ Brug kun den oplader, der fulgte med apparatet/værktøjet, til opladning. Brug af den forkerte oplader kan medføre elektrisk stød eller overophedning af batteriet.
- ◆ Følg vejledningen i afsnittet "Miljøbeskyttelse" ved bortskaffelse af batterier.
- ◆ Undgå at beskadige/deformere batteriet ved at punktere det eller slå på det, da dette kan forårsage risiko for tilskadekomst eller brand.
- ◆ Beskadigede batterier må ikke oplades.
- ◆ Under ekstreme forhold kan der forekomme batterilækage. Hvis du bemærker væske på batterierne, skal du omhyggeligt tørre den af med en klud. Undgå kontakt med huden.
- ◆ I tilfælde af kontakt med hud eller øjne, skal du følge nedenstående anvisninger.

**Advarsel!** Batterivæsken kan forårsage personskader eller materielle skader. I tilfælde af kontakt med huden skylles straks med vand. Søg læge, hvis der opstår rødme, smerte eller irritation. Skyl straks med rent vand, og søg læge i tilfælde af kontakt med øjnene.

### Opladere

Opladeren er udviklet til en specifik spænding. Kontroller altid, at netspændingen svarer til spændingen på typeskiltet.

**Advarsel!** Forsøg aldrig at erstatte opladerenheden med et almindeligt netstik.

- ◆ Brug kun din BLACK+DECKER-lader til at oplade batteriet i det værktøj, som den blev leveret sammen med. Andre batterier kan eksplodere og forårsage kvæstelser og materielle skader.
- ◆ Forsøg aldrig at oplade ikke-genopladelige batterier.
- ◆ Hvis netledningen beskadiges, skal den udskiftes af producenten eller et autoriseret BLACK+DECKER-værksted, så farlige situationer undgås.

## Vibration

De angivne værdier for udsendelse af vibration opført under de tekniske data og overensstemmelseserklæringen er målt i henhold til standardtestmetoden anført i EN 62841 og kan bruges til at sammenligne ét værktøj med et andet.

Den angivne vibrationsemissionsværdi kan også bruges i forbindelse med en foreløbig vurdering af eksponeringen.

**Advarsel!** Vibrationsemissionsværdien i forbindelse med den faktiske anvendelse af elværktøjet kan afvige fra den angivne værdi afhængig af metoden, hvormed værktøjet anvendes.

Vibrationsniveauet kan overstige det angivne niveau.

I vurderingen af eksponeringen for vibration med henblik på fastsættelse af sikkerhedsforanstaltninger som krævet i 2002/44/EF til beskyttelse af personer, der jævnligt anvender elværktøj i deres arbejde, skal der tages hensyn til de faktiske betingelser under brugen, og måden værktøjet bruges på, herunder alle arbejdsrytters afsnit, f.eks. perioder, hvor værktøjet er slukket, og hvor det kører i tomgang, tillige med startperioderne.

## Mærkatere på værktøjet

Følgende piktogrammer vises på værktøjet sammen med datokoder:



**Advarsel!** Brugeren skal læse brugervejledningen for at reducere risikoen for kvæstelser.



Bær beskyttelses- eller sikkerhedsbriller, når du bruger dette værktøj.



Udsæt ikke værktøjet for regn eller høj luftfugtighed.



Pas på skarpe knive. Klingen fortsætter med at bevæge sig, efter at motoren er stoppet.



Pas på flyvende genstande. Hold omkringstående på afstand.



**Far!** Hold hænderne væk fra klingens

- ◆ Opladeren må ikke udsættes for fugt.
- ◆ Opladeren må ikke åbnes.
- ◆ Opladeren må ikke undersøges.
- ◆ Apparatet/værktøjet/batteriet skal anbringes et sted med god udluftning, når det oplades.



Opladeren er kun beregnet til indendørs brug.



Læs brugervejledningen, før værktøjet tages i brug.

## Elektricitet og sikkerhed



Din oplader er dobbelt isoleret. Derfor er en jordledning ikke nødvendig. Kontroller altid, at netspændingen svarer til spændingen på typeskiltet.

- ◆ Hvis netledningen beskadiges, skal den udskiftes af producenten eller et autoriseret BLACK+DECKER-værksted, så farlige situationer undgås.

**Advarsel!** Forsøg aldrig at erstatte opladerenheden med et almindeligt netstik.

## Funktioner

1. Afbryderkontakt
2. Låseknop
3. Klingeudløserknop
4. Sakseklinge (GSL200/GSL700)
5. Trimmeklinge (GSL300/GSL700)
6. Ladeindikator

## Samling

**Advarsel!** Undgå at komme til at tænde for værktøjet under montering.

## Vægmontering af vægbeslaget (fig. A & B)

Vægbeslaget kan monteres på væggen, hvilket giver et praktisk opbevarings- og opladningssted til værktøjet.

- ◆ Driv skruerne ind i væggen gennem hullerne i vægbeslagets sprækker.
- ◆ Placer værktøjet på vægbeslaget.
- ◆ Tilslut opladeren, mens du sørger for, at ladeindikatoren (6) lyser (fig. A).
- ◆ Brug om nødvendigt de to tappe (7) under vægbeslaget til at opbevare reserveklingen (fig. B).

**Advarsel!** Undgå at beskadige strømledningen, når du monterer vægbeslaget på væggen.

## Fjernelse af laderstikket fra vægbeslaget (fig. C)

Værktøjet kan oplades uden brug af vægbeslaget.

Laderstikket kan slutes direkte til værktøjet.

- ◆ Fjern skruerne fra bagsiden af vægbeslaget.
- ◆ Skub den bagste del (8) fra den forreste del (9) for at åbne vægbeslaget.

- ◆ Fjern laderstikket fra vægbeslaget.

## Isætning og udtagning af klingen (fig. D og E)

Saksklingen (4) er designet til trimning af græs og ukrudt. Klipperklingen (5) er designet til trimning af hække og buske.

- ◆ Afmonter klingedækslet.
- ◆ Tryk på og hold klingeudløserknappen (3) i pilens retning (fig. D1).
- ◆ Lad klingedækslet (10) glide bagud, og løft det af (fig. D2).
- ◆ Sænk klingen ned på stifterne.
- ◆ Mens du holder klingen på stifterne (fig. E1), skal du sætte klingedækslet (10) på plads og skubbe det frem (fig. E2).

**Bemærk:** Det er ikke nødvendigt, at klingen flugter med drivstiften, og det er ikke nødvendigt at bruge klingedækseludløserknappen, når klingedækslet sættes på plads igen.

## Anvendelse

**Advarsel!** Lad værktøjet arbejde i dets eget tempo. Det må ikke overbelastes.

## Opladning af batteriet

Batteriet skal oplades inden ibrugtagningen, og når det ikke leverer strøm nok til opgaver, der tidligere kunne udføres ubesværet. Batteriet oplades kun 80% første gang og efter længere tids opbevaring. Batteriet opnår fuld kapacitet efter flere op- og afladninger. Batteriet kan blive varmt under opladningen. Det er normalt og ikke tegn på problemer.

**Advarsel!** Oplad ikke batteriet ved omgivelsestemperaturer på under 10 °C eller over 40 °C. Den anbefalede opladningstemperatur: ca. 24 °C.

Værktøjet kan være tilsluttet til laderen i længere perioder. For at maksimere batteriets levetid anbefales det at holde batteriet forbundet til laderen, hver gang værktøjet ikke er i brug. Når batteriet er helt opladt, vil laderens strømforbrug være minimalt.

## Opladning med vægbeslaget (fig. F)

- ◆ Placer værktøjet på vægbeslaget (11).
- ◆ Tilslut laderen.

## Opladning med laderstikket (fig. G)

Laderstikket er udformet med spærringer for at forhindre brugen af en forkert lader.

- ◆ Indsæt laderstikket (12) i laderkonnektoren på værktøjets bagside.
- ◆ Tilslut laderen.

## GSL700 - Opladning af batteriet

- ◆ Oplad batteriet.

Når batteriet oplades, blinker ladeindikatoren (6).

Ladeindikatoren holder op med at blinke, når opladningen er afsluttet.

**GSL200/GSL300 - Opladning af batteriet**

- ◆ Oplad batteriet.

Når batteriet oplades, blinker ladeindikatoren (6). Ladeindikatoren holder op med at blinke, når opladningen er afsluttet. Ladeindikatoren blinker hurtigt for at indikere et problem med opladningen. Når der opstår et opladningsproblem, skal værktøjet slutes direkte til laderstikket ved at fjerne vægbeslaget. Hvis opladningsproblemet fortsætter, skal laderen afbrydes fra netforsyningen og indleveres til reparation på et autoriseret værksted.

**Start og stop (fig. H)****Tænd**

- ◆ Tryk og hold låseknappen (2) til højre eller til venstre, og klem samtidig på afbryderkontakten (1).
- ◆ Slip låseknappen.

**Sluk**

- ◆ Slip afbryderkontakten (1).

**Advarsel!** Forsøg aldrig at fastlåse kontakten i tændt position.

**Gode råd til optimal brug (fig. I & J)**

- ◆ Spray klingens med et let lag af generel olie til let brug inden første anvendelse, og hver gang klingerne begynder at se tørre ud.

**Trimning af græs**

- ◆ Det bedste resultat opnås, hvis græsset er tørt.
- ◆ Hold værktøjet som vist i fig. I. Hold den anden hånd på afstand af klingens. Sørg for en stabil arbejdsposition, så du ikke glider. Undlad at række for langt.
- ◆ Arbejd trinvis fra toppen ved trimning af langt græs. Klip små dele ad gangen.
- ◆ Hold værktøjet væk fra hårde genstande og sarte planter.
- ◆ Reducer belastningen, hvis værktøjet begynder at køre langsomt.
- ◆ Vip værktøjet let for at skære tættere.

**Trimning af hække**

- ◆ Vip værktøjet en smule (op til 15° i forhold til klippelinjen), så klingens spids peger en smule mod hækken (fig. J). Det vil bevirke, at klingens klipper mere effektivt.
- ◆ Start med at trimme toppen af hækken. Hold værktøjet i den ønskede vinkel, og bevæg det roligt langs klippelinjen. Den dobbeltsidede skæreklinge gør det muligt at klippe i begge retninger.
- ◆ Hvis du ønsker at opnå et meget lige snit, kan du trække en snor langs hækken i den ønskede højde. Brug snoren som retningslinje, og klip lige over den.
- ◆ For at få flade sider skal du klippe opad i vækstretningen.

Unge stammer vokser udad, når skæreklingen klipper nedad, hvilket giver hulninger i hækken.

- ◆ Undgå eventuelle fremmedlegemer. Undgå især hårde genstande som f.eks. metaltråd og stakitter, da disse kan beskadige skæreklingen.
- ◆ Smør jævnlige skæreklingen.

**Retningslinjer for klipping (Storbritannien og Irland)**

- ◆ Klip løvfældende hække og buske (nye blade hvert år) i juni og oktober.
- ◆ Klip stedsegrønne vækster i april og august.
- ◆ Klip nåletræer og andre hurtigtvoksende buske hver sjette uge fra maj til oktober.

**Retningslinjer for klipping (Australien og New Zealand)**

- ◆ Klip løvfældende hække og buske (nye blade hvert år) i december og marts.
- ◆ Klip stedsegrønne vækster i september og februar.
- ◆ Klip nåletræer og andre hurtigtvoksende buske hver sjette uge fra oktober til marts.

**Vedligeholdelse**

Dit BLACK+DECKER-apparat/værktøj med eller uden ledning er beregnet til brug gennem lang tid med et minimum af vedligeholdelse. Vedvarende tilfredsstillende funktion er afhængig af, om apparatet plejes korrekt og rengøres regelmæssigt.

**Advarsel!** Før udførelse af nogen form for vedligeholdelse på elværktøj med/uden ledning:

- ◆ Sluk og tag apparatets/værktøjets stik ud af stikkontakten.
- ◆ Eller sluk og fjern batteriet fra apparatet/værktøjet, hvis det har en separat batteripakke.
- ◆ Eller aflad batteriet helt, hvis det er indbygget, og sluk derefter.
- ◆ Træk opladeren ud af stikkontakten, før den rengøres. Opladeren kræver ingen vedligeholdelse, men skal rengøres jævnlige.
- ◆ Rengør jævnlige apparatets/værktøjets/laderens ventilationshuller med en blød børste eller en tør klud.
- ◆ Rengør med jævne mellemrum motorhuset med en fugtig klud. Der må ikke bruges skuremidler eller opløsningsmidler.
- ◆ Åbn jævnlige patronen, og bank på den for at fjerne indvendigt støv (hvis monteret).
- ◆ Rengør skærebladene omhyggeligt efter brug. Påfør en tynd film maskinolie efter rengøring, så skærebladene ikke rustner.

**Opbevaring**

Hvis værktøjet ikke skal bruges i flere måneder, er det bedst at lade batteriet sidde i laderen. Eller gør som følger:

- ◆ Oplad batteriet helt.

- ◆ Opbevar værktøjet på et sikkert og tørt sted. Opbevaringstemperaturen skal ligge mellem +10°C og +40°C.
- ◆ Oplad batteriet helt, inden værktøjet tages i brug igen efter længere tids opbevaring.

## MASKINDIREKTIV DIREKTIV OM STØJEMISSION FRA MASKINER TIL UDENDØRS BRUG



GSL200, GSL300, GSL700 - Klipper/trimmer

Black & Decker erklærer, at produkterne beskrevet under "Tekniske data" er i overensstemmelse med: 2006/42/EF og EN 62841-1:2015 + A11:2022, EN 62841-4-2:2019, EN IEC 62841-4-5:2021+A11:2021 Lydintensitetsniveau i henhold til 2000/14/EF

(artikel 13, bilag III):

$L_{WA}$  (målt lydeffekt) 84 dB(A)

Usikkerhed = 3 dB(A)

$L_{WA}$  (garanteret lydeffekt) 87 dB(A)

Disse produkter er endvidere i overensstemmelse med direktiv 2014/30/EU og 2011/65/EU.

Kontakt Black & Decker på nedenstående adresse eller se vejledningens bagside for at få yderligere oplysninger. Undertegnede er ansvarlig for udarbejdelsen af de tekniske data og fremsætter denne erklæring på vegne af Black & Decker.

*Patrick Diepenbach*

Patrick Diepenbach  
Generaldirektør, Benelux  
Black & Decker,  
Egide Walschaertsstraat 14-18  
2800 Mechelen, Belgien  
03-08-2022

## Miljøbeskyttelse



Særskilts indsamling. Produkter og batterier mærket med dette symbol må ikke bortskaffes sammen med normalt husholdningsaffald.

Produkter og batterier indeholder materialer, der kan genvindes eller genbruges og således reducere efterspørgslen efter råvarer.

Genbrug venligst elektriske produkter og batterier i henhold til lokale bestemmelser. Yderligere informationer findes på [www.2helpU.com](http://www.2helpU.com)

## Tekniske data

		GSL200	GSL300	GSL700
Spænding	$V_{DC}$	3,6	3,6	7,0
Antal skæreblasslag (uden belastning)	min <sup>-1</sup>	850	850	850
Klingelængde (saks)	cm	10	-	10
Klingeafstand (saks)	mm	23	-	23
Klingelængde (klipper)	cm	-	15	15
Klingeafstand (klipper)	mm	-	8	8
Klingebræmsetid	s	< 1	< 1	< 1
Vægt	kg	0,65	0,65	0,65

Oplader		
Indgangsspænding	$V_{AC}$	230
Udgangsspænding	$V_{DC}$	15V
Strømstyrke	mA	150mA
Ca. opladningstid	h	10h
Vægt	kg	0.15

Lydtrykniveau i henhold til EN 62841:	
Lydtryk ( $L_{pA}$ )	75 dB(A), usikkerhed (K) 3 dB(A)
Lydeffekt ( $L_{WA}$ )	84 dB(A), usikkerhed (K) 3 dB(A)

Samlede værdier for vibration (triaksial vektorsum) i henhold til EN 62841:	
( $a_{h,r}$ )	2,5 m/s <sup>2</sup> , usikkerhed (K) 1,5 m/s <sup>2</sup>

## Garanti

Black & Decker er overbevist om den gode kvalitet af sine produkter og giver forbrugerne en garanti på 24 måneder fra købsdatoen. Garantien er et tillæg til forbrugers lovæssige rettigheder og påvirker ikke disse. Garantien er gyldig inden for medlemsstaterne af Den Europæiske Union og Det Europæiske Frihandelsområde og Storbritannien. Når du gør krav på garantien, skal kravet være i overensstemmelse med Black&Decker vilkår og betingelser, og du skal indsende dokumentation for købet til sælgere eller til en autoriseret reparatør. Vilkår og betingelser for Black & Decker 2 års garanti og placeringen af dit nærmeste autoriserede serviceværksted kan fås på internettet på [www.2helpU.com](http://www.2helpU.com), eller ved at kontakte dit lokale Black & Decker kontor på den adresse, der er angivet i denne vejledning.

Besøg venligst vores websted [www.blackanddecker.co.uk](http://www.blackanddecker.co.uk) for at registrere dit nye Black & Decker produkt og modtage opdateringer om nye produkter og specielle tilbud.



## Käyttötarkoitus

BLACK+DECKER™ GSL200, GSL300, GSL700 -leikkuri/trimmeri on tarkoitettu ruohon, pensaiden ja muiden kasvien leikkaamiseen. Tämä työkalu on tarkoitettu vain yksityiskäyttöön.

BLACK+DECKER -laturi on tarkoitettu tämän työkalun mukana toimitettujen akkujen kaltaisten BLACK+DECKER -akkujen lataamiseen.

## Turvallisuusohjeet

### Sähkötyökalujen yleiset turvavaroitukset



**Varoitus!** Lue kaikki tämän sähkötyökalun mukana toimitetut varoitukset, käyttöohjeet ja tekniset tiedot. Jos kaikkia ohjeita ei noudateta, on olemassa sähköiskun, tulipalon ja/tai vakavan henkilövahingon vaara.

### Säästä kaikki varoitukset ja ohjeet tulevaa käyttöä varten.

Ohjeissa käytetty käsite "sähkötyökalu" tarkoittaa verkkokäyttöisiä sähkötyökaluja (verkkojohdolla varustettuja) ja akkukäyttöisiä sähkötyökaluja (ilman verkkojohdtoa).

#### 1. Työalueen turvallisuus

- Pidä työalue puhtaana ja hyvin valaistuna.**  
Onnettomuuksia sattuu herkemmin epäsiistissä tai huonosti valaistussa ympäristössä.
- Älä käytä sähkötyökalua räjähdysalttiissa ympäristössä, jossa on syttyvää nestettä, kaasua tai pölyä.** Sähkötyökalujen aiheuttamat kipinät voivat sytyttää pölyn tai kaasut.
- Pidä lapset ja sivulliset loitolla sähkötyökalua käyttäessäsi.** Keskittymiskyvyn herpaantuminen voi aiheuttaa hallinnan menettämisen.

#### 2. Sähköturvallisuus

- Sähkötyökalun pistokkeen on sovittava pistorasiaan. Älä koskaan tee pistokkeeseen mitään muutoksia. Älä yhdistä maadoitettua sähkötyökalua jatkojohtoon.** Sähköiskun vaara vähenee, jos pistokkeisiin ei tehdä muutoksia ja ne yhdistetään vain niille tarkoitettuihin pistorasioihin.
- Vältä koskettamasta maadoitettuja pintoja, kuten putkia, lämpöpattereita, liesiä tai jääkaappeja.** Voit saada sähköiskun, jos kehosi on maadoitettu.
- Älä altista sähkötyökalua sateelle tai kosteudelle.** Sähkötyökaluun menevä vesi lisää sähköiskun vaaraa.
- Älä käsittele virtajohtoa kovakouraisesti. Älä kannata työkaluja sähköjohdosta tai vedä pistoketta pistorasista sähköjohdon avulla.**

**Pidä sähköjohto kaukana kuumuudesta, öljystä, terävistä reunoista tai liikkuvista osista.** Vaurioituneet tai sokeutuneet johdot lisäävät sähköiskun vaaraa.

- Käyttäessäsi sähkötyökalua ulkona käytä ainoastaan ulkokäyttöön soveltuvaa jatkojohtoa.** Ulkokäyttöön tarkoitettun sähköjohdon käyttäminen vähentää sähköiskun vaaraa.
- Jos sähkötyökalua on välttämättä käytettävä kosteassa paikassa, käytä vikavirtasuojalla (RCD) suojattua virtalähdettä.** Tämä vähentää sähköiskun vaaraa.

#### 3. Henkilöturvallisuus

- Ole valpas, keskity työhön ja noudata tervettä järkeä sähkötyökalun käytössä. Älä käytä tätä työkalua ollessasi väsynyt tai alkoholin, huumeiden tai lääkkeiden vaikutuksen alaisena.** Keskittymisen herpaantuminen hetkeksikin sähkötyökalua käytettäessä voi aiheuttaa vakavan henkilövahingon.
- Käytä henkilökohtaisia suojavarusteita. Käytä aina suojalaseja.** Hengityssuojaimen, liukumattomien turvajalkineiden, kypärän ja kuulonsuojaimen käyttäminen vähentää henkilövahinkojen vaaraa.
- Vältä tahatonta käynnistämistä. Varmista, että kytkin on OFF-asennossa, ennen kuin liität laitteen virtalähteeseen ja/tai akkuun, nostat laitteen tai kannat sitä.** Sähkötyökalun kantaminen sormi virtakytkimellä lisää onnettomuusvaaraa.
- Irrota mahdollinen säätö- tai kiintoavain ennen kuin käynnistät sähkötyökalun.** Sähkötyökalun pyörivään osaan kiinni jäänyt avain voi johtaa loukkaantumiseen.
- Älä kurkota. Huolehdi siitä, että sinulla on koko ajan**

tukeva jalansija ja hyvä tasapaino. Näin voit hallita sähkötyökalua paremmin odottamattomissa tilanteissa.

- Käytä tarkoitukseen soveltuvia vaatteita. Älä käytä löysiä vaatteita tai koruja.** Pidä hiukset, vaatteet ja kädet loitolla liikkuvista osista. Löysät vaatteet, korut tai pitkät hiukset voivat tarttua liikkuviin osiin.
- Jos työkalun voi liittää polynimuriiniin, tarkista, että liitos on tehty asianmukaisesti ja että laitteita käytetään oikealla tavalla.** Pölyn ottaminen talteen voi vähentää pölyn aiheuttamia vaaroja.
- Vaikka käyttäisit usein työkaluja ja sinulla olisi niistä hyvä tuntemus, älä jätä lukematta työkalun turvallisuusohjeita.** Huolimattomuus voi johtaa vakaviin henkilövahinkoihin jopa sekunnin murto-osassa.

#### 4. Sähkötyökalujen käyttö ja hoito

- Älä ylikuormita sähkötyökalua. Valitse käyttötarkoituksen kannalta oikea sähkötyökalu.** Sähkötyökalu toimii paremmin ja turvallisemmin, kun sitä käytetään sille suunniteltuun käyttötarkoitukseen.
- Älä käytä sähkötyökalua, jota ei voida käynnistää ja pysäyttää virtakytkimellä.**

Jos sähkötyökalua ei voi hallita kytkimen avulla, se on vaarallinen ja se on korjattava.

- c. **Irrota pistotulppa pistorasiasta ja/tai akku laitteesta ennen kuin suoritat säätöjä, vaihdat tarvikkeita tai siirrä sähkötyökalun varastoitavaksi.** Näin voit vähentää vahingossa käynnistymisen aiheuttaman henkilövahingon vaaraa.
  - d. **Säilytä sähkötyökalut poissa lasten ulottuvilta, kun niitä ei käytetä. Älä anna sähkötyökalua sellaisen henkilön käyttöön, joka ei tunne sitä tai joka ei ole tutustunut tähän käyttöohjeeseen.** Sähkötyökalut ovat vaarallisia kouluttamattomien käyttäjien käsissä.
  - e. **Hoida sähkötyökalusi huolella. Tarkista, että liikkuvat osat toimivat moitteettomasti ja etteivät ne ole puristuksessa.** Tarkista myös, ettei työkalussa ei ole murtuneita tai vahingoittuneita osia, jotka saattaisivat vaikuttaa haitallisesti sen toimintaan. Jos havaitset vaurioita, korjauta sähkötyökalu ennen niiden käyttämistä. Huonosti kunnossapidetyt sähkötyökalut aiheuttavat onnettomuuksia.
  - f. **Pidä leikkausterät terävinä ja puhtaina.** Kunnossa pidettyjen leikkaavia teräviä reunoja sisältävien työkalut todennäköisyys jumiutua vähenee, ja niitä on helpompi hallita.
  - g. **Käytä sähkötyökaluja, tarvikkeita, vaihtoteriä yms. näiden ohjeiden mukaisesti. Ota tällöin huomioon työolosuhteet ja suoritettava toimenpide.** Jos sähkötyökalua käytetään näiden ohjeiden vastaisesti, voi syntyä vaaratilanne.
  - h. **Pidä kahvat ja kädensijat kuivina ja puhtaina öljystä ja rasvasta.** Liukkaat kahvat ja kädensijat estävät työkalun turvallisen käsittelyn ja hallinnan odottamattomissa tilanteissa.
5. **Akkutyökalun käyttö ja huolto**
    - a. **Lataa akku vain valmistajan määrittelemällä laturilla.** Laturi, joka on sopiva yhden tyyppiselle akulle, voi aiheuttaa tulipalon vaaran, jos sitä käytetään toisen tyyppisellä akulla.
    - b. **Käytä sähkötyökalussa ainoastaan kyseiseen sähkötyökaluun tarkoitettua akkua.** Muun tyyppisen akun käyttö saattaa johtaa loukkaantumiseen ja tulipaloon.
    - c. **Pidä irrallinen akku loitolla metalliesineistä, kuten paperiliittimistä, kolikoista, avaimista, nauloista, ruuveista tai muista pienistä metalliesineistä, jotka voivat aiheuttaa oikosulun akun navoissa.** Kennon pinteiden oikosulku voi aiheuttaa palovammoja tai tulipalon.
    - d. **Väärin käytetystä akusta voi vuotaa nestettä. Älä kosketa sitä. Jos nesteen kanssa joutuu kosketuksiin, huuhtelee vedellä. Jos nestettä joutuu silmiin, hakeudu lisäksi lääkärin hoitoon.** Akusta roiskunut neste saattaa aiheuttaa ärsytystä tai palovammoja.
    - e. **Akkua tai työkalua ei saa käyttää, jos siinä on vaurioita tai sitä on muunneltu.**

Vaurioituneet tai muunnellut akut voivat johtaa odottamattomiin tilanteisiin ja vaarana ovat tulipalo, räjähdys ja henkilövahingot.

- f. **Suojaa akku ja työkalu tulelta ja liian korkeilta lämpötiloilta.** Se voi räjähtää yli 130 °C lämpötilassa.
  - g. **Noudata kaikkia latausohjeita. Akkua tai työkalua ei saa ladata ohjeissa määritetystä lämpötilavälisestä poikkeavassa lämpötilassa.** Jos akku ladataan virheellisesti tai määritetystä lämpötilavälisestä poikkeavassa lämpötilassa, seurauksena voi olla akun vaurioituminen ja tulipalovaara.
6. **Huolto**
    - a. **Korjauta sähkötyökalu koulutetulla ja ammattitaitoisella henkilöllä ja hyväksy korjauksiin vain alkuperäisiä varaosia.** Tämä varmistaa sähkötyökalun turvallisuuden.
    - b. **Älä koskaan huolla vaurioituneita akkuja.** Ainoastaan valmistaja tai valtuutetut huoltoilikkeet saavat huoltaa akkuja.

## Sähkötyökalujen lisäturvavaroitukset



**Varoitus!** Pensasleikkureiden lisäturvavaroitukset

- ◆ **Älä pidä kehoa lähellä leikkurin terää. Älä poista leikattua materiaalia tai pidä leikattavasta materiaalista kiinni terien liikkeessa.** Varmista, että virta on katkaistu, kun poistat kiinni juuttunutta materiaalia. Hetken tarkkaamattomuus pensasleikkuria käytettäessä saattaa johtaa vakavaan loukkaantumiseen.
- ◆ **Kanna pensasleikkuria kahvasta, kun leikkurin terä on pysäytetty. Aseta leikkurin suojus paikalleen pensasleikkurin kuljetuksen ja varastoinnin ajaksi.** Pensasleikkurin oikea käsittely pienentää leikkurin terien aiheuttamien vammojen riskiä.
- ◆ **Aseta terän suojus paikalleen pensasleikkurin kuljetuksen ja varastoinnin ajaksi.** Pensasleikkurin oikeaoppinen käsittely pienentää terien aiheuttamien vammojen riskiä.
- ◆ **Varmista, että kaikki virtakytkimet on kytketty pois päältä ja virtajohto irrotettu tukoksia poistaessa tai laitetta huoltaessa.** Jos pensasleikkuri käynnistyy odottamatta tukoksen poistamisen tai huoltamisen aikana, seurauksena voi olla vakava henkilövahinko.
- ◆ **Pitele sähkötyökalua vain sen eristävästä tartuntapinnosta, sillä terä voi osua piilossa oleviin sähköjohtoihin tai laitteen virtajohtoon.** Terien osuminen jännitteiseen johtoon tekee pensasleikkurin paljaista metalliosista jännitteisiä, joten käyttäjä voi saada sähköiskun.
- ◆ **Pidä kaikki virtajohtot ja kaapelit poissa leikkausalueelta.** Virtajohtoja tai kaapeleita voi olla piilossa pensaikossa ja voit osua niihin vahingossa.

- ◆ **Älä käytä ruohonleikkuria epäsuotuisissa sääolosuhteissa, varsinkin silloin, kun on olemassa salamoinnin vaara.** Täten salamaniskun vaara on pienempi.
- ◆ **Tarkoitettu käyttö on kuvattu tässä käyttöohjeessa.** Käytä työkalua ainoastaan sellaiseen työhön, johon se on tarkoitettu, ja käytä vain tässä käyttöohjeessa suositeltuja tarvikkeita ja lisälaitteita. Ohjeesta poikkeava käyttö voi aiheuttaa henkilö- ja/tai omaisuusvahinkoja.
- ◆ Jos et ole ennen käyttänyt pensasleikkuria, pyydä käytännön ohjeita kokeneelta käyttäjältä tämän käyttöoppaan ohjeiden lisäksi.
- ◆ Älä koskaan koske teriin työkalun ollessa käynnissä.
- ◆ Älä jarruta terän pysähtymisliikettä.
- ◆ Älä laske työkalua alas, ennen kuin terät ovat pysähtyneet kokonaan.
- ◆ Tarkista säännöllisesti, etteivät terät ole vahingoittuneet tai kuluneet. Älä käytä työkalua, jos sen terät ovat vioittuneet.
- ◆ Vältä kovia esineitä (esimerkiksi metallilankaa, kaiteita) leikkauksen aikana. Jos osut tällaiseen esineeseen vahingossa, katkaise työkalun virta heti ja tarkista vauriot.
- ◆ Jos työkalu alkaa täristä epätavallisesti, katkaise työkalun virta heti ja tarkista vauriot.
- ◆ Jos työkalu pysähtyy, katkaise sen virta heti.
- ◆ Aseta teränsuojus terien päälle käytön jälkeen. Säilytä työkalua siten, ettei sen terä ole paljaana.
- ◆ Varmista, että kaikki suojukset ovat paikallaan työkalua käytettäessä. Älä koskaan yritä käyttää puutteellista työkalua tai työkalua, johon on tehty luvattomia muutoksia.
- ◆ Älä koskaan anna lasten käyttää työkalua.
- ◆ Varo putoavia oksia, kun leikkaat pensasaidan yläreunoja.

### Leikkurin turvavaroitukset:

- ◆ **Älä käytä pensasleikkuria epäsuotuisissa sääolosuhteissa, varsinkin silloin, kun on olemassa salamoinnin vaara.** Täten salamaniskun vaara on pienempi.
- ◆ **Pidä kaikki virtajohdot ja kaapelit poissa leikkausalueelta.** Virtajohtoja tai kaapeleita voi olla piilossa ja terä voi osua niihin vahingossa.
- ◆ **Käytä kuulonsuojaimia.** Riittävät suojavarusteet vähentävät kuulonaleneman riskiä.
- ◆ **Pitele leikkuria vain sen eristävästä tartuntapinnosta, sillä terä voi osua piilossa oleviin sähköjohtoihin.** Terien osuminen jännitteiseen johtoon tekee leikkurin paljaista metalliosista jännitteisiä, joten käyttäjä voi saada sähköiskun.
- ◆ **Älä pidä kehoa lähellä leikkurin terää. Älä poista leikkattua materiaalia tai pidä leikkavasta materiaalista kiinni terien liikkeessä. Terien liike jatkuu senkin jälkeen, kun virtakytkin on kytketty pois päältä.**

Hetken tarkkaamattomuus leikkuria käytettäessä saattaa johtaa vakavaan loukkaantumiseen.

- ◆ **Kun poistat juuttunutta materiaalia tai huollat leikkuria, varmista, että virtakytkin on pois päältä ja lukitus on lukitussa asennossa.** Jos leikkuri käynnistyy odottamatta tukoksen poistamisen tai huoltamisen aikana, seurauksena voi olla vakava henkilövahinko.
- ◆ **Kanna leikkuria kahvasta terä pysäytettynä ja varo, ettet paina virtakytkintä.** Leikkurin oikeaoppinen kantaminen vähentää tahattoman käynnistytksen ja siitä aiheutuvien terien aiheuttamien henkilövammojen riskiä.
- ◆ **Kun suljetat tai säilytät leikkuria, käytä aina terän suojusta.** Leikkurin oikeaoppinen käsittely pienentää terien aiheuttamien vammojen riskiä.

### Sähkötyökalujen lisäturvavaroitukset



**Varoitus!** Ruuhosaksien lisäturvavaroitukset

- ◆ Älä koskaan anna lasten tai kenenkään, joka ei ole lukenut näitä ohjeita, käyttää laitetta. Paikalliset säädökset voivat määrittää käyttäjiä koskevia ikärajoituksia.
- ◆ Muista, että laitteen käyttäjä on vastuussa muille henkilöille tai omaisuudelle aiheutuneista onnettomuuksista tai vaaratilanteista.
- ◆ Älä koskaan käytä laitetta muiden henkilöiden (erityisesti lapsien) tai eläinten läheisyydessä.
- ◆ Käytä laitetta vain päivänvalossa tai hyvin valaistulla alueella.
- ◆ Varmista aina, että ilmanvaihtoaukot ovat puhtaat.
- ◆ Käytä ainoastaan valmistajan suosittelemia varaosia ja lisävarusteita.
- ◆ Tarkista ja huolla laite säännöllisesti. Korjauta vioittunut laite vain valtuutetulla korjaajalla.

### Muiden henkilöiden turvallisuus

- ◆ Tämä laite soveltuu yli 8-vuotiaiden lasten ja sellaisten henkilöiden käyttöön, joilla on fyysisiä, aistillisia tai henkisiä rajoitteita tai puutteellinen kokemus tai tuntemus, jos heitä valvotaan tai jos he ovat saaneet laitteen turvalliseen käyttöön liittyvää opastusta ja ymmärtävät laitteen käyttöön liittyvät vaarat.
- ◆ Älä anna lasten leikkiä laitteella. Puhdistus- ja huoltotöitä ei saa jättää lapsille ilman valvontaa.

### Tärinä

Teknisissä tiedoissa ja vaatimustenmukaisuusilmoituksessa ilmoitetut tärinäpäästöarvot on mitattu standardin EN 62841 testausmenetelmän mukaisesti, ja niiden avulla voidaan vertailla työkaluja keskenään.

Ilmoitettua tärinäpäästöarvoa voi käyttää myös altistumisen alustavaan arviointiin.

**Varoitus!** Sähkötyökalun käytön aikana mitattu todellinen tärinäpäästöarvo voi poiketa ilmoitetusta tärinäpäästöarvosta työkalun käyttötavan mukaan. Tärinätaso voi olla ilmoitettua tasoa suurempi.

Kun tärinälle altistumista arvioidaan sen määrittämiseksi, mitä direktiivin 2002/44/EY mukaisia turvatoimenpiteitä vaaditaan sähkötyökaluja säännöllisesti käyttävien henkilöiden suojelemiseksi, tärinälle altistumisen arvioinnissa on otettava huomioon todelliset käyttöolosuhteet ja työkalun käyttötavat. Todellisen käytön lisäksi on kiinnitettävä huomiota myös siihen, milloin työkalu on sammutettuna tai se käy tyhjäkäynnillä.

## Työkalun tarrat

Työkalussa on seuraavat merkit sekä päivämääräkoodi:



**Varoitus!** Käyttäjän on luettava käyttöohje vahinkojen välttämiseksi.



Käytä suojalaseja, kun käytät laitetta.



Älä käytä työkalua sateessa tai erittäin kosteissa olosuhteissa.



Varo teräviä teriä. Terien liike jatkuu senkin jälkeen, kun moottori on sammutettu.



Varo sinkoilevia esineitä. Pidä sivulliset loitolla.



**Vaara!** Pidä kädet poissa terän ulottuvilta



Luokan III laite.



Direktiivin 2000/14/EC mukainen taattu ääniteho.

- ◆ Suojaa akkua vahingoittumiselta niin, ettei sen kotelo rikkoudu eikä siihen kohdistu iskuja, sillä muutoin voi syntyä henkilövahinkojen ja tulipalon vaara.
- ◆ Älä lataa viallisia akkuja.
- ◆ Vaativissa oloissa voi ilmetä paristovuotoja. Jos havaitset akkujen pinnalla nestettä, pyyhi se huolellisesti pois. Vältä ihokosketusta.
- ◆ Jos nestettä joutuu silmiin tai iholle, noudata jäljempänä olevia ohjeita.

**Varoitus!** Akkuneste voi aiheuttaa aineellisia vahinkoja tai henkilövahinkoja. Jos nestettä joutuu iholle, se on välittömästi huuhdeltava pois vedellä. Jos ihoa kirvelee tai se punottaa tai on muuten ärtynyt, kysy lisäohjeita lääkäriltä. Jos nestettä joutuu silmiin, huuhdo välittömästi puhtaalla vedellä ja mene lääkäriin.

## Laturit

Laturi on tarkoitettu tietylle jännitteelle. Tarkista aina, että verkkojännite vastaa arvokilvessä ilmoitettua jännitettä.

**Varoitus!** Älä yritä vaihtaa laturiin tavallista verkkovirran pistoketta.

- ◆ Käytä BLACK+DECKER-laturia vain työkalun mukana toimitetun akun lataamiseen. Muut akut voivat räjähtää ja aiheuttaa henkilövahinkoja tai aineellisia vahinkoja.
- ◆ Älä koskaan yritä ladata akkuja, joita ei ole tarkoitettu ladattaviksi.
- ◆ Jos virtajohto vahingoittuu, sen vaihtaminen on turvallisuussyistä jätettävä valmistajan tai valtuutetun BLACK+DECKER-huollon tehtäväksi.
- ◆ Suojaa laturi vedeltä.
- ◆ Älä avaa laturia.
- ◆ Älä työnnä mitään laturin sisään.
- ◆ Lataa laite/työkalu/akku paikassa, jossa on kunnollinen ilmanvaihto.



Laturi on tarkoitettu ainoastaan sisäkäyttöön.



Lue käyttöohjeet huolellisesti ennen laitteen käyttöä.

## Akku ja laturia koskevat lisäturvaohjeet

### Akut

- ◆ Älä koskaan yritä avata mistään syystä.
- ◆ Älä anna akun kastua.
- ◆ Älä säilytä akkuja tiloissa, joissa lämpötila voi nousta yli 40 °C:een.
- ◆ Lataa akku paikassa, jonka lämpötila on vähintään +10 °C ja enintään +40 °C.
- ◆ Käytä akun lataamiseen vain laitteen/työkalun mukana toimitettua laturia. Väärän tyyppinen laturi voi aiheuttaa sähköiskun tai akun ylikuumentumisen.
- ◆ Noudata akkujen hävittämisessä Ympäristönsuojelu-kohdassa esitettyjä ohjeita.

### Sähköturvallisuus



Laturi on kaksoiseristetty, joten erillistä maadoitusta ei tarvita. Tarkista aina, että verkkojännite vastaa arvokilvessä ilmoitettua jännitettä.

- ◆ Jos virtajohto vahingoittuu, sen vaihtaminen on turvallisuussyistä jätettävä valmistajan tai valtuutetun BLACK+DECKER-huollon tehtäväksi.

**Varoitus!** Älä yritä vaihtaa laturiin tavallista verkkovirran pistoketta.

## Yleiskuvaus

1. Virtakytkin
2. Lukituspainike
3. Terän vapautuspainike
4. Leikkausterä (GSL200/GSL700)
5. Trimmerästerä (GSL300/GSL700)
6. Lataustilan ilmaisin

## Asennus

**Varoitus!** Varo työkalun käynnistämistä vahingossa asennuksen aikana.

## Seinätelineen kiinnittäminen seinään (kuvat A & B)

Seinäteline voidaan kiinnittää seinään työkalun kätevästi säilytystä ja latausta varten.

- ◆ Kiinnitä ruuvit seinään seinätelineen koloissa olevien reikien läpi.
- ◆ Aseta työkalu seinätelineeseen.
- ◆ Kytke laturi pistorasiaan ja varmista, että latauksen merkkivalo (6) syttyy (kuva A).
- ◆ Käytä tarvittaessa kahta tappia (7) seinätelineen alla varaterän säilyttämiseen (kuva B).

**Varoitus!** Vältä vahingoittamasta virtajohtoa, kun asennat seinätelineen seinään.

## Laturin pistokkeen irrottaminen seinätelineestä (kuva C)

Työkalu voidaan ladata ilman seinätelineettä. Laturin pistoke voidaan liittää työkaluun suoraan.

- ◆ Irrota ruuvit seinätelineen takaosasta.
- ◆ Liu'uta takaosa (8) etuosasta (9) seinätelineen avaamiseksi.
- ◆ Irrota laturin pistoke seinätelineestä.

## Terän kiinnittäminen ja irrottaminen (kuvat D & E)

Ruohosaksien terä (4) on suunniteltu ruohon ja rikkaruohojen leikkaamiseen. Trimmerästerä (5) on suunniteltu pensaiden ja pensasaitojen trimmaamiseen.

- ◆ Poista terän suojus.
- ◆ Työnnä terän vapautuspainiketta (3) nuolen osoittamaan suuntaan (kuva D1) ja pidä se painettuna.
- ◆ Liu'uta terän suojusta (10) taaksepäin ja nosta se irti (kuva D2).
- ◆ Laske terä tappien päälle.
- ◆ Pitele terää tapeissa (kuva E1), aseta terän suojus (10) takaisin paikoilleen ja liu'uta sitä eteenpäin (kuva E2).

**Huomautus:** Terää ei tarvitse kohdistaa käyttötappiin eikä terän suojuksen vapautuspainiketta tarvitse käyttää, kun terän suojus asennetaan takaisin.

## Käyttö

**Varoitus!** Anna työkalun käydä omaan tahtiinsa.

Älä ylikuormita sitä.

## Akun lataaminen

Lataa akku ennen ensimmäistä käyttökertaa ja aina, kun se ei enää tuota riittävästi virtaa toimintoihin, jotka aiemmin sujuivat helposti. Ladatessasi akkua ensimmäisen kerran tai pitkäaikaisen säilytyksen jälkeen se latautuu vain 80-prosenttisesti. Useiden lataus- ja tyhjentyemiskertojen jälkeen akku saavuttaa täyden kapasiteettinsa. Akku voi lämmetä ladattaessa. Tämä on normaalia, eikä se ole merkki mistään viasta.

**Varoitus!** Älä lataa akkua alle 10 °C tai yli 40 °C asteen lämpötilassa. Suositeltava latauslämpötila on noin 24 °C. Työkalu voidaan jättää laturiin vaikka kuinka pitkäksi aikaa. Voit maksimoida akun käyttöiän pitämällä akun kytkettynä laturiin aina kun työkalua ei käytetä. Kun akku on täynnä, laturin virrankulutus on erittäin vähäistä.

## Lataaminen seinätelineellä (kuva F)

- ◆ Aseta työkalu seinätelineeseen (11).
- ◆ Kytke laturi pistorasiaan.

## Lataaminen laturin pistokkeella (kuva G)

Laturin pistokkeessa on lukitusosat, jotka estävät virheellisen laturin käyttämisen.

- ◆ Aseta laturin pistoke (12) työkalun takaosassa olevaan laturiliitäntään.
- ◆ Kytke laturi pistorasiaan.

## GSL700 - Akun lataaminen

- ◆ Lataa akku.

Latauksen merkkivalo (6) vilkkuu akun lataamisen aikana. Latauksen merkkivalon vilkkuminen lakkaa, kun akku on ladattu täyteen.

## GSL200/ GSL300 - Akun lataaminen

- ◆ Lataa akku.

Latauksen merkkivalo (6) vilkkuu akun lataamisen aikana. Latauksen merkkivalon vilkkuminen lakkaa, kun akku on ladattu täyteen. Latauksen merkkivalo vilkkuu nopeasti, kun latauksen aikana ilmenee jokin ongelma. Jos latauksen aikana ilmenee ongelma, liitä työkalu suoraan laturin pistokkeeseen irrottamalla seinätelineen. Jos latauksen aikana ilmenee edelleen ongelma, irrota laturi sähköverkosta ja toimita se valtuutettuun huoltoliikkeeseen korjattavaksi.

## Käynnistys ja sammutus (kuva H)

### Käynnistäminen

- ◆ Paina ja pidä alhaalla lukituspainiketta (2) oikealla tai vasemmalla ja paina sitten virtakytkintä (1).
- ◆ Vapauta lukituspainike.

**Sammuttaminen**

- ◆ Vapauta virtakytkin (1).

**Varoitus!** Älä koskaan yritä lukita kytkintä käyttöasentoon.

**Vinkkejä parhaimman tuloksen saamiseksi (kuvat I & J)**

- ◆ Ruiskuta terään ohut kerros mietoa yleiskäyttöön tarkoitettua öljyä ennen ensimmäistä käyttökertaa ja aina kun terät näyttävät kuivilta.

**Ruohon trimmaus**

- ◆ Paras leikkuutulos saavutetaan leikkaamalla vain kuivaa nurmikkoa.
- ◆ Pitele työkalua kuvan I osoittamalla tavalla. Pidä vapaana oleva käsi loitolla terästä. Pidä työasento vakaana, jotta et liukastu. Älä kurkota liian kauas.
- ◆ Leikkaa pitkää ruohoa asteittain ylhäältä lähtien. Leikkaa vain vähän kerrallaan.
- ◆ Pidä työkalu etäällä kovista esineistä ja hennoista kasveista.
- ◆ Jos työkalu alkaa käydä hitaasti, vähennä kuormitusta.
- ◆ Lyhennä leikkausjälkeä kallistamalla työkalua hieman.

**Pensasaitojen trimmaus**

- ◆ Kallista työkalua hiukan (enintään 15° leikkauslinjaan) siten, että terän kärjet osoittavat hieman aitaan päin (kuva J). Tällöin terät leikkaavat tehokkaasti.
- ◆ Aloita trimmaamalla pensasaidan yläosa. Pidä työkalua haluamassasi kulmassa ja liikuta sitä tasaisesti leikkauslinjaa pitkin. Kaksipuolisen terän ansiosta voit leikata kumpaun suuntaan tahansa.
- ◆ Jos haluat erittäin suoran leikkausjäljen, aseta naru aidan pituussuunnassa haluamallasi korkeudelle. Käytä narua apuna ja leikkaa sen yläpuolelta.
- ◆ Saat aikaiseksi suorat reunat leikkaamalla ylöspäin kasvusuunnassa. Nuoret varret liikkuvat ulospäin terän leikatessa alaspäin, mikä aiheuttaa matalia syvennyksiä aitaan.
- ◆ Vältä osumasta muihin esineisiin. Vältä erityisesti kovia esineitä, kuten metallijohtoja ja kaiteita, koska ne voivat vahingoittaa teriä.
- ◆ Voitele terät säännöllisesti.

**Trimmausohjeet (Iso-Britannia ja Irlanti)**

- ◆ Trimmaa lehtipensaat kesä- ja lokakuussa.
- ◆ Trimmaa havupensaat huhti- ja elokuussa.
- ◆ Trimmaa katajat ja muut nopeasti kasvavat pensaat kuuden viikon välein toukokuusta lokakuuhun.

**Trimmausohjeet (Australia ja Uusi-Seelanti)**

- ◆ Trimmaa lehtipensaat joului- ja maaliskuussa.
- ◆ Trimmaa havupensaat syys- ja helmikuussa.

- ◆ Trimmaa katajat ja muut nopeasti kasvavat pensaat kuuden viikon välein lokakuusta maaliskuuhun.

**Huolto**

Verkkojohdolla varustettu tai verkkojohdoton BLACK+DECKER-laite on suunniteltu toimimaan mahdollisimman kauan mahdollisimman vähällä huollolla. Oikea käsittely ja säännöllinen puhdistus varmistavat laitteen ongelmattoman toiminnan.

**Varoitus!** Ennen verkkojohdolla varustetun tai verkkojohdottoman sähkötyökalun huoltoa toimi seuraavasti:

- ◆ Sammuta laite/työkalu ja irrota se verkkovirrasta.
- ◆ Jos laitteessa/työkalussa on erillinen akku, sammuta laite/työkalu ja irrota sen akku.
- ◆ Jos akku on kiinteä, käytä akku täysin loppuun ja sammuta laite sitten.
- ◆ Irrota laturi pistorasiasta ennen laturin puhdistamista. Laturi ei tarvitse säännöllisen puhdistamisen lisäksi mitään muuta huoltoa.
- ◆ Puhdista laitteen/työkalun/laturin ilma-aukot säännöllisesti pehmeällä harjalla tai kuivalla kangasliinalla.
- ◆ Puhdista moottorin kotelo säännöllisesti kostealla liinalla. Älä käytä hankaavia tai liuotinpohjaisia puhdistusaineita.
- ◆ Avaa istukka säännöllisesti ja naputtele pöly pois sen sisältä (soveltuvin osin).
- ◆ Puhdista terät huolellisesti käytön jälkeen. Voitele terät ohuesti öljyllä puhdistuksen jälkeen. Näin ne eivät ruostu.

**Säilytys**

Kun työkalua ei ole tarkoitus käyttää pitkään aikaan, jätä akku kytketyksi laturiin. Muutoin toimi seuraavasti:

- ◆ Lataa akku täyteen.
- ◆ Säilytä työkalu varmassa ja kuivassa paikassa. Säilytyspaikan lämpötilan täytyy aina olla vähintään +10 °C ja enintään +40 °C.
- ◆ Lataa akku täyteen, ennen kuin käytät työkalua pitkäaikaisen säilytyksen jälkeen.

**Ympäristönsuojelu**

Toimita tämä laite erilliskeräykseen. Tällä symbolilla merkityjä tuotteita ja akkuja ei saa hävittää tavallisen kotitalousjätteen mukana.

Tuotteissa ja akuissa on materiaaleja, jotka voidaan ottaa talteen tai kierrättää uudelleen käyttöä varten. Kierrätä sähkölaitteet ja akut paikallisten määräyksien mukaan. Lisätietoa on saatavilla osoitteessa [www.2helpU.com](http://www.2helpU.com)

## Tekniset tiedot

	GSL200	GSL300	GSL700	
Jännite	$V_{DC}$	3,6	3,6	7,0
Teränliikkeet (kuormittamattomana)	$min^{-1}$	850	850	850
Terän pituus (ruohosakset)	cm	10	-	10
Terien väli (ruohosakset)	mm	23	-	23
Terän pituus (trimmeri)	cm	-	15	15
Terien väli (trimmeri)	mm	-	8	8
Terän jarrutusaika	s	< 1	< 1	< 1
Paino	kg	0,65	0,65	0,65

Laturi		
Syöttöjännite	$V_{AC}$	230
Lähtöjännite	$V_{DC}$	15V
Virta	mA	150mA
Keskim. latausaika	h	10h
Paino	kg	0.15

## Äänenpainetaso standardin EN 62841 mukaisesti:

Äänenpaine ( $L_{pA}$ ) 75 dB(A), epävarmuus (K) 3 dB(A)Äänitehotaso ( $L_{WA}$ ) 84 dB(A), epävarmuus (K) 3 dB(A)

## Tärinän kokonaisarvot (vektorisumma) standardin EN 62841 mukaisesti:

 $(a_w)$  2,5  $m/s^2$ , epävarmuus (K) 1,5  $m/s^2$ KONEDIREKTIIVI  
ULKOILMAMELUDIREKTIIVI

GSL200, GSL300, GSL700 - Leikkuri/trimmeri

Black & Decker ilmoittaa, että tuotteet, jotka on kuvattu kohdassa Tekniset tiedot, täyttävät seuraavien direktiivien vaatimukset:

2006/42/EY ja EN 62841-1:2015 + A11:2022,  
EN 62841-4-2:2019, EN IEC 62841-4-5:2021+A11:2021  
Äänitehotaso mitattuna standardin 2000/14/EY mukaisesti  
(Artikla 13, liite III):

 $L_{WA}$  (mitattu ääniteho) 84 dB(A)

Epätarkkuus = 3 dB(A)

 $L_{WA}$  (taattu ääniteho) 87 dB(A)

Nämä tuotteet täyttävät myös direktiivien 2014/30/EU ja  
2011/65/EU vaatimukset.

Lisätietoja saa ottamalla yhteyden Black & Deckeriin seuraavassa osoitteessa. Tiedot ovat myös käyttöohjeen takakannessa.

Allekirjoittanut vastaa teknisten tietojen kokoamisesta tehden tämän ilmoituksen Black & Deckerin puolesta.

Patrick Diepenbach  
Pääjohtaja, Benelux  
Black & Decker,  
Egide Walschaertsstraat 14-18  
2800 Mechelen, Belgia  
03.8.2022

## Takuu

Black & Decker on vakuuttanut tuotteidensa korkeasta laadusta ja tarjoaa kuluttajille 24 kuukauden takuun, joka astuu voimaan ostopäivän.

Takuu on lisäys kuluttajan laillisiin oikeuksiin eikä vaikuta niihin.

Tämä takuu on voimassa kaikissa EU- ja ETA-maissa ja Yhdistynyt kuningaskunta.

Edellytyksenä takuun saamiselle on, että vaade täyttää Black & Deckerin ehdot ja että ostaja toimittaa ostotositteen jälleenmyyjälle tai valtuutetulle huoltoliikkeelle.

Black&Deckerin kahden vuoden takuun ehdot ja lähimmän valtuutetun korjauspalvelun yhteystiedot ovat saatavilla osoitteessa [www.2helpU.com](http://www.2helpU.com) tai ottamalla yhteyttä paikalliseen Black & Deckerin toimipisteeseen tässä ohjekirjassa ilmoitettuihin osoitteisiin.

Käy verkkosivuillemme osoitteessa [www.blackanddecker.fi](http://www.blackanddecker.fi) ja rekisteröi uusi Black & Decker -tuotteesi saadaksesi tietoa uusista tuotteista ja erikoistarjouksista.

## Προβλεπόμενη χρήση

Το εργαλείο φαλίδας/κοπτικό BLACK+DECKER™ GSL200, GSL300, GSL700 έχει σχεδιαστεί για να κόβει γρασίδι, φυτικούς φράκτες, θάμνους και βγάτα. Αυτό το εργαλείο προορίζεται μόνο για ερασιτεχνική χρήση.

Ο φορτιστής σας BLACK+DECKER έχει σχεδιαστεί για τη φόρτιση των μπαταριών BLACK+DECKER του τύπου που παρέχονται με αυτό το εργαλείο.

## Οδηγίες ασφαλείας

### Γενικές προειδοποιήσεις ασφαλείας για ηλεκτρικά εργαλεία



**Προειδοποίηση!** Διαβάστε όλες τις προειδοποιήσεις ασφαλείας, τις οδηγίες, τις απεικονίσεις και τις προδιαγραφές που συνοδεύουν αυτό το ηλεκτρικό εργαλείο. Η μη τήρηση οποιασδήποτε από τις οδηγίες που αναφέρονται πιο κάτω μπορεί να έχει ως αποτέλεσμα ηλεκτροπληξία, πυρκαγιά και/ή σοβαρό τραυματισμό.

### Φυλάξτε όλες τις προειδοποιήσεις και τις οδηγίες για μελλοντική αναφορά.

Ο όρος "ηλεκτρικό εργαλείο" που χρησιμοποιείται σε όλες τις παρακάτω προειδοποιήσεις, αναφέρεται είτε σε εργαλείο που λειτουργεί με ρεύμα δικτύου (ρεύματος - με καλώδιο) είτε σε εργαλείο που λειτουργεί με μπαταρία (μπαταρίας - χωρίς καλώδιο).

#### 1. Ασφάλεια χώρου εργασίας

- α. Διατηρείτε τον χώρο εργασίας καθαρό και καλά φωτισμένο. Οι ατακτοποιητοί ή σκοτεινοί χώροι γίνονται αιτίες ατυχημάτων.
- β. Μη χρησιμοποιείτε ηλεκτρικά εργαλεία σε περιβάλλον όπου υπάρχει κίνδυνος έκρηξης, όπως με παρουσία εύφλεκτων υγρών, αερίων ή σκόνης. Τα ηλεκτρικά εργαλεία παράγουν σπινθήρες που μπορεί να προκαλέσουν ανάφλεξη της σκόνης ή των αναθυμιάσεων.
- γ. Όταν χρησιμοποιείτε ηλεκτρικό εργαλείο, κρατάτε μακριά τα παιδιά και άλλα άτομα. Παράγοντες που αποσπούν την προσοχή μπορεί να σας κάνουν να χάσετε τον έλεγχο.

#### 2. Ασφαλής χρήση ηλεκτρικού ρεύματος

- α. Τα φως των ηλεκτρικών εργαλείων πρέπει να ταυρίζουν στην πρίζα. Σε καμία περίπτωση μην τροποποιήσετε το φως, με κανένα τρόπο. Μη χρησιμοποιείτε φως προσαρμογής με γειωμένα ηλεκτρικά εργαλεία.

Τα φως που δεν έχουν υποστεί τροποποιήσεις και οι κατάλληλες πρίζες μειώνουν τον κίνδυνο ηλεκτροπληξίας.

- β. Αποφεύγετε την επαφή του σώματός σας με γειωμένες επιφάνειες, όπως σωλήνες, σώματα καλοριφέρ, κουζίνες και ψυγεία. Υπάρχει αυξημένος κίνδυνος ηλεκτροπληξίας αν το σώμα σας είναι γειωμένο.
- γ. Μην εκθέτετε τα ηλεκτρικά εργαλεία σε βροχή ή υγρασία. Η δεισδουση νερού σε ένα ηλεκτρικό εργαλείο αυξάνει τον κίνδυνο ηλεκτροπληξίας.
- δ. Μην κακομεταχειρίζεστε το καλώδιο. Ποτέ μη χρησιμοποιήσετε το καλώδιο για να μεταφέρετε, να τραβήξετε ή να αποσυνδέσετε από την πρίζα το ηλεκτρικό εργαλείο. Κρατάτε το καλώδιο μακριά από θερμότητα, λάδια, αιχμηρά άκρα ή κινούμενα μέρη. Τα καλώδια που έχουν υποστεί ζημιά ή είναι μπερδεμένα αυξάνουν τον κίνδυνο ηλεκτροπληξίας.
- ε. Όταν χρησιμοποιείτε ηλεκτρικό εργαλείο σε εξωτερικούς χώρους, να χρησιμοποιείτε πάντοτε καλώδιο επέκτασης κατάλληλο για εργασία σε εξωτερικούς χώρους. Η χρήση καλωδίου κατάλληλου για εργασία σε εξωτερικούς χώρους μειώνει τον κίνδυνο ηλεκτροπληξίας.
- στ. Εάν είναι αναπόφευκτη η χρήση ενός ηλεκτρικού εργαλείου σε συνθήκες υγρασίας, χρησιμοποιήστε μια διάταξη προστασίας από ρεύμα διαρροής (RCD). Η χρήση μιας διάταξης RCD μειώνει τον κίνδυνο ηλεκτροπληξίας.

#### 3. Προσωπική ασφάλεια

- α. Όταν χρησιμοποιείτε ηλεκτρικό εργαλείο, να είστε σε εγρήγορση, να συγκεντρώνετε στην εργασία που κάνετε και να επιστρατεύετε την κοινή λογική. Μη χρησιμοποιείτε ηλεκτρικό εργαλείο όταν είστε κουρασμένος/ή ή υπό την επήρεια ναρκωτικών, οινοπνεύματος ή φαρμακευτικής αγωγής. Μια στιγμή απροσεξίας κατά τη χρήση ηλεκτρικών εργαλείων μπορεί να προκαλέσει σοβαρό τραυματισμό.
- β. Χρησιμοποιείτε ατομικό εξοπλισμό προστασίας. Πάντα φοράτε προστασία ματιών. Ο εξοπλισμός προστασίας, όπως μάσκα κατά της σκόνης, αντιολισθητικά παπούτσια ασφαλείας, κράνος ή προστασία ακοής, όταν χρησιμοποιείται για τις κατάλληλες συνθήκες, θα μειώσει τους τραυματισμούς και τις σωματικές βλάβες.
- γ. Αποτρέψτε την ακούσια ενεργοποίηση. Βεβαιωθείτε ότι ο διακόπτης βρίσκεται στη θέση απενεργοποίησης, πριν συνδέσετε το εργαλείο σε πηγή ρεύματος και/ή τοποθετήσετε πακέτο μπαταριών, καθώς και πριν πάρετε στα χέρια σας ή μεταφέρετε το εργαλείο. Η μεταφορά ηλεκτρικών εργαλείων με το δάχτυλο πάνω στον διακόπτη ή η σύνδεση στο ρεύμα ηλεκτρικών εργαλείων με τον διακόπτη στη θέση ενεργοποίησης, ενέχει κινδύνους ατυχημάτων.



- δ. Πριν θέσετε το ηλεκτρικό εργαλείο σε λειτουργία, αφαιρέστε τυχόν εργαλεία ή κλειδιά ρύθμισης.** Εάν αφήσετε ένα εργαλείο ή κλειδί πάνω σε κάποιο περιστρεφόμενο εξάρτημα του ηλεκτρικού εργαλείου, μπορεί να προκληθούν τραυματισμοί.
- ε. Μην τεντώνεστε υπερβολικά. Διατηρείτε πάντα σταθερή στήριξη στα πόδια σας και καλή ισορροπία.** Έτσι μπορείτε να έχετε καλύτερο έλεγχο του ηλεκτρικού εργαλείου σε μη αναμενόμενες καταστάσεις.
- στ. Φοράτε κατάλληλη ενδυμασία εργασίας. Μη φοράτε φαρδιά ρούχα ή κοσμήματα. Κρατάτε τα μαλλιά, τα ρούχα και τα γάντια σας μακριά από κινούμενα μέρη.** Τα φαρδιά ρούχα, τα κοσμήματα και τα μακριά μαλλιά μπορούν να πιστούν σε κινούμενα μέρη.
- ζ. Αν παρέχονται διατάξεις για τη σύνδεση συστημάτων απομάκρυνσης και συλλογής της σκόνης, βεβαιωθείτε ότι αυτές είναι συνδεδεμένες και χρησιμοποιούνται σωστά.** Η χρήση διατάξεων συλλογής της σκόνης μπορεί να μειώσει τους κινδύνους που προέρχονται από τη σκόνη.
- η. Μην αφήνετε την εξοικείωση που έχετε αποκτήσει από τη συχνή χρήση εργαλείων να σας επιτρέψει να εφησυχάσετε ώστε να αγνοείτε τις αρχές ασφαλούς χρήσης των εργαλείων.** Μια απρόσεκτη ενέργεια μπορεί να προκαλέσει βαρύ τραυματισμό μέσα σε κλάσματα του δευτερολέπτου.
- 4. Χρήση και φροντίδα ηλεκτρικών εργαλείων**
- α. Μην υπερφορτώνετε το ηλεκτρικό εργαλείο.** Χρησιμοποιείτε το σωστό ηλεκτρικό εργαλείο για την εφαρμογή σας. Το σωστό ηλεκτρικό εργαλείο θα εκτελέσει την εργασία καλύτερα και ασφαλέστερα, με την ένταση χρήσης για την οποία σχεδιάστηκε.
- β. Μη χρησιμοποιήσετε το ηλεκτρικό εργαλείο αν ο διακόπτης του δεν μπορεί να το ενεργοποιεί και απενεργοποιεί.** Οποιοδήποτε ηλεκτρικό εργαλείο του οποίου η λειτουργία δεν μπορεί να ελεγχθεί με τον διακόπτη είναι επικίνδυνο και πρέπει να επισκευαστεί.
- γ. Αποσυνδέστε το φως από την πηγή ρεύματος και/ή αφαιρέστε το πακέτο μπαταριών από το ηλεκτρικό εργαλείο, πριν πραγματοποιήσετε οποιαδήποτε ρύθμιση, αλλαγή αξεσουάρ ή όταν πρόκειται να αποθηκεύσετε το ηλεκτρικό εργαλείο.** Τέτοια προληπτικά μέτρα ασφαλείας μειώνουν το κίνδυνο αθέλητης εκκίνησης του ηλεκτρικού εργαλείου.
- δ. Να φυλάσσετε μακριά από παιδιά τα ηλεκτρικά εργαλεία που δεν χρησιμοποιείτε.** Μην αφήνετε να χρησιμοποιήσουν ηλεκτρικό εργαλείο άτομα που δεν είναι εξοικειωμένα με αυτό ή άτομα που δεν έχουν διαβάσει αυτές τις οδηγίες χρήσης. Τα ηλεκτρικά εργαλεία είναι επικίνδυνα στα χέρια μη εκπαιδευμένων χρηστών.
- ε. Συντηρείτε τα ηλεκτρικά εργαλεία.** Ελέγχετε για προβλήματα ευθυγράμμισης ή για μάνγκωμα των κινούμενων εξαρτημάτων, θραύση εξαρτημάτων, καθώς και για οποιοδήποτε άλλο πρόβλημα μπορεί να επηρεάσει τη λειτουργία των ηλεκτρικών εργαλείων. Αν το ηλεκτρικό εργαλείο έχει υποστεί ζημιά, παραδώστε το για επισκευή πριν το χρησιμοποιήσετε. Η ανεπαρκής συντήρηση των ηλεκτρικών εργαλείων αποτελεί αιτία πολλών ατυχημάτων.
- στ. Διατηρείτε τα κοπτικά εργαλεία κοφτερά και καθαρά.** Τα κοπτικά εργαλεία με κοφτερές κοπτικές αιχμές που συντηρούνται σωστά έχουν λιγότερες πιθανότητες να μαγκώσουν και ελέγχονται ευκολότερα.
- ζ. Χρησιμοποιείτε το ηλεκτρικό εργαλείο, τα αξεσουάρ και τα εξαρτήματα εργασίας του εργαλείου κλπ. σύμφωνα με τις παρούσες οδηγίες, λαμβάνοντας υπόψη σας τις συνθήκες εργασίας και την εργασία που θέλετε να εκτελέσετε.** Η χρήση του ηλεκτρικού εργαλείου για εργασίες διαφορετικές από τις προβλεπόμενες θα μπορούσε να οδηγήσει σε επικίνδυνη κατάσταση.
- η. Διατηρείτε τις λαβές και τις επιφάνειες κρατήματος στεγνές, καθαρές και απαλλαγμένες από λάδι και γράσο.** Οι ολισθηρές λαβές και επιφάνειες κρατήματος δεν επιτρέπουν τον ασφαλή χειρισμό και έλεγχο του εργαλείου σε μη αναμενόμενες καταστάσεις.
- 5. Χρήση και φροντίδα εργαλείων μπαταρίας**
- α. Επαναφορτίζετε μόνο με τον φορτιστή που καθορίζει ο κατασκευαστής.** Ένας φορτιστής που είναι κατάλληλος για ένα τύπο πακέτου μπαταριών μπορεί να δημιουργήσει κίνδυνο πυρκαγιάς αν χρησιμοποιηθεί με άλλο πακέτο μπαταριών.
- β. Χρησιμοποιείτε τα ηλεκτρικά εργαλεία αποκλειστικά και μόνο με τα καθοριζόμενα πακέτα μπαταριών.** Η χρήση άλλων πακέτων μπαταριών μπορεί να προκαλέσει κίνδυνο τραυματισμού και πυρκαγιάς.
- γ. Όταν το πακέτο μπαταριών δεν χρησιμοποιείται, κρατάτε το μακριά από άλλα μεταλλικά αντικείμενα, όπως συνδετήρες, κέρματα, κλειδιά, καρφιά, βίδες ή άλλα μικρά μεταλλικά αντικείμενα που μπορούν να βραχυκυκλώσουν τους δύο ακροδέκτες του.** Αν βραχυκυκλωθούν οι ακροδέκτες της μπαταρίας, μπορεί να προκληθούν εγκαύματα ή πυρκαγιά.
- δ. Αν οι μπαταρίες υποστούν κακομεταχείριση, μπορεί να διαρρεύσει υγρό.** Αποφύγετε την επαφή. Αν κατά λάθος έρθετε σε επαφή, ξεπλύνετε με νερό. Σε περίπτωση που το υγρό έλθει σε επαφή με τα μάτια σας, ζητήστε επιπλέον και ιατρική βοήθεια. Το υγρό που διαρρέει από την μπαταρία μπορεί να προκαλέσει ερεθισμούς ή εγκαύματα.
- ε. Μη χρησιμοποιήσετε πακέτο μπαταριών ή εργαλείο που έχει υποστεί ζημιά ή τροποποίηση.**

Οι μπαταρίες που έχουν υποστεί ζημιά ή τροποποίηση μπορεί να έχουν απρόβλεπτη συμπεριφορά, με αποτέλεσμα φωτιά, έκρηξη ή κίνδυνο τραυματισμού.

- στ. Μην εκθέσετε ένα πακέτο μπαταριών ή εργαλείο σε φωτιά ή υπερβολική θερμοκρασία.** Η έκθεση σε φωτιά ή σε θερμοκρασία πάνω από 130 °C μπορεί να προκαλέσει έκρηξη.
- ζ. Τηρείτε όλες τις οδηγίες φόρτισης και μη φορτίζετε το πακέτο μπαταριών ή το εργαλείο εκτός των ορίων θερμοκρασίας που ορίζονται στις προδιαγραφές.** Η ακατάλληλη φόρτιση ή η φόρτιση σε θερμοκρασίες εκτός των προβλεπόμενων ορίων μπορεί να προξενήσει ζημιά στην μπαταρία και να αυξήσει τον κίνδυνο φωτιάς.

## 6. Σέρβις

- α. Αναθέτετε το σέρβις του ηλεκτρικού σας εργαλείου σε εξειδικευμένο τεχνικό επισκευών που χρησιμοποιεί μόνο γνήσια ανταλλακτικά.** Έτσι θα εξασφαλίσετε τη διατήρηση της ασφάλειας του ηλεκτρικού εργαλείου.
- β. Ποτέ μην κάνετε σέρβις σε πακέτα μπαταριών που έχουν υποστεί ζημιά.** Το σέρβις των πακέτων μπαταριών πρέπει να γίνεται μόνο από τον κατασκευαστή ή από εξουσιοδοτημένους παρόχους σέρβις.

## Πρόσθετες προειδοποιήσεις ασφαλείας για ηλεκτρικά εργαλεία



**Προειδοποίηση!** Πρόσθετες προειδοποιήσεις ασφαλείας για θαμνοκοπτικά

- ◆ Κρατάτε όλα τα μέλη του σώματός σας σε απόσταση από τη λεπίδα κοπής. Μην αφαιρείτε το κομμένο υλικό και μην κρατάτε υλικό για κοπή όταν οι λεπίδες βρίσκονται σε κίνηση. Βεβαιωθείτε ότι ο διακόπτης είναι απενεργοποιημένος (off) κατά την αφαίρεση υλικού που έχει παγιδευτεί. Μια στιγμή αμέλειας κατά το χειρισμό του θαμνοκοπτικού μπορεί να οδηγήσει σε σοβαρό τραυματισμό.
- ◆ Μεταφέρετε το θαμνοκοπτικό κρατώντας το από τη λαβή, με τη λεπίδα κοπής σταματημένη. Κατά τη μεταφορά ή αποθήκευση του θαμνοκοπτικού, τοποθετείτε πάντα το κάλυμμα του μηχανισμού κοπής. Ο σωστός χειρισμός του θαμνοκοπτικού περιορίζει το ενδεχόμενο τραυματισμού από τις λεπίδες κοπής.
- ◆ Κατά τη μεταφορά ή αποθήκευση του θαμνοκοπτικού, τοποθετείτε πάντα το κάλυμμα της λεπίδας. Ο σωστός χειρισμός του θαμνοκοπτικού περιορίζει τον κίνδυνο τραυματισμού από τις λεπίδες.
- ◆ Όταν καθαρίζετε υλικό που έχει σφηνώσει ή κάνετε σέρβις στη μονάδα, να βεβαιώνετε ότι όλοι οι διακόπτες τροφοδοσίας είναι απενεργοποιημένοι και το καλώδιο ρεύματος έχει αποσυνδεθεί.

Η μη αναμενόμενη ενεργοποίηση του θαμνοκοπτικού κατά τον καθαρισμό υλικού που έχει σφηνώσει ή κατά το σέρβις μπορεί να προκαλέσει σοβαρό τραυματισμό.

- ◆ Κρατάτε το θαμνοκοπτικό μόνο από μονωμένες επιφάνειες κρατήματος, επειδή η λεπίδα μπορεί να έρθει σε επαφή με αθέατα καλώδια ή με το καλώδιο του ίδιου του εργαλείου. Αν οι λεπίδες έρθουν σε επαφή με καλώδιο υπό τάση, μπορεί να τεθούν υπό ηλεκτρική τάση και τα εκτεθειμένα μεταλλικά μέρη του θαμνοκοπτικού και να προκληθεί ηλεκτροπληξία στον χειριστή.
- ◆ Κρατάτε όλα τα καλώδια ρεύματος και άλλα καλώδια μακριά από την περιοχή κοπής. Καλώδια ρεύματος ή άλλα καλώδια μπορεί να είναι κρυμμένα σε θάμνους και να κοπούν κατά λάθος από τη λεπίδα.
- ◆ Μη χρησιμοποιείτε το θαμνοκοπτικό σε κακές καιρικές συνθήκες, ειδικά όταν υπάρχει κίνδυνος για αστραπές ή κεραυνούς. Έτσι μειώνεται ο κίνδυνος να σας χτυπήσει κεραυνός.
- ◆ Η προβλεπόμενη χρήση περιγράφεται στο παρόν εγχειρίδιο οδηγιών. Η χρήση οποιουδήποτε αξεσουάρ ή προσαρτήματος ή η εκτέλεση με αυτό το εργαλείο οποιασδήποτε εργασίας διαφορετικής από αυτές που συνιστώνται στο παρόν εγχειρίδιο οδηγιών ενδέχεται να εγκυμονεί κίνδυνο σωματικής βλάβης και/ή υλικών ζημιών.
- ◆ Εάν δεν έχετε χρησιμοποιήσει ξανά θαμνοκοπτικό, καλό θα είναι να ζητήσετε πρακτικές οδηγίες από έναν έμπειρο χρήστη, πέρα από τη μελέτη του παρόντος εγχειριδίου.
- ◆ Μην αγγίζετε ποτέ τις λεπίδες ενώ το εργαλείο βρίσκεται σε λειτουργία.
- ◆ Μην επιχειρήσετε ποτέ να ακινητοποιήσετε τις λεπίδες εξαναγκαστικά.
- ◆ Μην αφήνετε κάτω το εργαλείο αν δεν έχουν ακινητοποιηθεί πλήρως οι λεπίδες.
- ◆ Ελέγχετε τακτικά τις λεπίδες για ζημιές και φθορές. Μη χρησιμοποιείτε το εργαλείο εάν οι λεπίδες έχουν υποστεί ζημιά.
- ◆ Προσέχετε να αποφεύγετε σκληρά αντικείμενα (π.χ. μεταλλικά σύρματα, κιγκλιδώματα) κατά τις εργασίες κοπής. Εάν χτυπήσετε κατά λάθος ένα τέτοιο αντικείμενο, απενεργοποιήστε αμέσως το εργαλείο και ελέγξτε το για τυχόν ζημιά.
- ◆ Εάν τυχόν το εργαλείο αρχίσει να δονείται με μη φυσιολογικό τρόπο, απενεργοποιήστε το αμέσως και ελέγξτε το για τυχόν ζημιά.
- ◆ Εάν το εργαλείο σταματήσει απότομα να λειτουργεί, απενεργοποιήστε το αμέσως.
- ◆ Μετά από τη χρήση, τοποθετήστε στις λεπίδες την παρεχόμενη θήκη λεπίδων. Αποθηκεύστε το εργαλείο, αφού βεβαιωθείτε ότι η λεπίδα δεν είναι εκτεθειμένη.
- ◆ Πάντοτε να βεβαιώνετε ότι όλα τα προστατευτικά είναι τοποθετημένα στο εργαλείο όταν το χρησιμοποιείτε.

Μην επιχειρήσετε να χρησιμοποιήσετε το εργαλείο εάν λείπουν εξαρτήματα από αυτό ή εάν έχει υποβληθεί σε μη εξουσιοδοτημένες τροποποιήσεις.

- ◆ Μην αφήσετε ποτέ παιδιά να χρησιμοποιήσουν το εργαλείο.
- ◆ Προσέχετε το ενδεχόμενο πτώσης υπολειμμάτων κοπής όταν κόβετε τις υψηλότερες πλευρές ενός φυτικού φράχτη.

## Προειδοποιήσεις για ψαλίδες γρασιδιού:

- ◆ **Μη χρησιμοποιείτε την ψαλίδα γρασιδιού σε κακές καιρικές συνθήκες, ειδικά όταν υπάρχει κίνδυνος για αστραπές ή κεραυνούς.** Έτσι μειώνεται ο κίνδυνος να σας χτυπήσει κεραυνός.
- ◆ **Κρατάτε όλα τα καλώδια ρεύματος και άλλα καλώδια μακριά από την περιοχή κοπής.** Καλώδια ρεύματος ή άλλα καλώδια μπορεί να είναι κρυμμένα και να κοπούν κατά λάθος από τη λεπίδα.
- ◆ **Φοράτε εξοπλισμό προστασίας της ακοής.** Ο επαρκής προστατευτικός εξοπλισμός θα μειώσει των κίνδυνο βλαβών της ακοής.
- ◆ **Κρατάτε την ψαλίδα γρασιδιού μόνο από τις μονωμένες επιφάνειες κρατήματος, επειδή η λεπίδα μπορεί να έρθει σε επαφή με αθέατα καλώδια.** Αν οι λεπίδες έρθουν σε επαφή με καλώδιο υπό τάση, μπορεί να τεθούν υπό ηλεκτρική τάση και τα εκτεθειμένα μεταλλικά μέρη της ψαλίδας γρασιδιού και να προκληθεί ηλεκτροπληξία στον χειριστή.
- ◆ **Κρατάτε όλα τα μέλη του σώματός σας σε απόσταση από τη λεπίδα. Μην αφαιρείτε το κομμένο υλικό και μην κρατάτε υλικό για κοπή όταν οι λεπίδες βρίσκονται σε κίνηση. Οι λεπίδες συνεχίζουν να κινούνται και μετά την απενεργοποίηση του διακόπτη.** Μια στιγμιαία απροσεξία κατά το χειρισμό της ψαλίδας γρασιδιού μπορεί να οδηγήσει σε σοβαρό τραυματισμό.
- ◆ **Όταν καθαρίζετε υλικό που έχει σφηνώσει ή κάνετε σέρβις στην ψαλίδα γρασιδιού, να βεβαιώνετε ότι όλοι οι διακόπτες τροφοδοσίας είναι απενεργοποιημένοι και το καλώδιο ρεύματος έχει αποσυνδεθεί.**  
Η μη αναμενόμενη ενεργοποίηση της ψαλίδας γρασιδιού κατά τον καθαρισμό υλικού που έχει σφηνώσει ή κατά το σέρβις μπορεί να προκαλέσει σοβαρό τραυματισμό.
- ◆ **Μεταφέρετε την ψαλίδα γρασιδιού από τη λαβή, με τη λεπίδα σταματημένη και προσέχοντας να μην πατήσετε τον διακόπτη τροφοδοσίας.** Η σωστή μεταφορά της ψαλίδας γρασιδιού θα μειώσει τον κίνδυνο αθέλητης εκκίνησης και του τραυματισμού που μπορεί να προκληθεί από τις λεπίδες.
- ◆ **Κατά τη μεταφορά ή αποθήκευση της ψαλίδας γρασιδιού, χρησιμοποιείτε πάντα το κάλυμμα λεπίδων.** Ο σωστός χειρισμός της ψαλίδας γρασιδιού περιορίζει τον κίνδυνο τραυματισμού από τις λεπίδες.

## Πρόσθετες προειδοποιήσεις ασφαλείας για ηλεκτρικά εργαλεία



**Προειδοποίηση!** Πρόσθετες προειδοποιήσεις ασφαλείας για ψαλίδια κλαδέματος

- ◆ Ποτέ μην αφήσετε να χρησιμοποιήσουν το μηχάνημα άτομα μη εξοικειωμένα με αυτές τις οδηγίες ή παιδιά. Οι κανονισμοί που ισχύουν στην περιοχή σας μπορεί να επιβάλλουν περιορισμούς στην ηλικία του χειριστή.
- ◆ Έχετε υπόψη σας ότι ο ιδιοκτήτης ή ο χρήστης είναι πάντα υπεύθυνος για ατυχήματα ή κινδύνους που προκαλούνται σε τρίτους ή στην ιδιοκτησία τους.
- ◆ Μη χρησιμοποιείτε ποτέ το μηχάνημα όταν υπάρχουν κοντά άνθρωποι, και ιδιαίτερος παιδιά, ή αν υπάρχουν κοντά κατοικίδια.
- ◆ Χρησιμοποιείτε το μηχάνημα μόνο στο φως της ημέρας ή με καλό τεχνητό φωτισμό.
- ◆ Εξασφαλίστε πάντοτε ότι τα ανοίγματα εξαερισμού διατηρούνται καθαρά από υπολείμματα.
- ◆ Χρησιμοποιείτε μόνο ανταλλακτικά και αξεσουάρ που συνιστά ο κατασκευαστής.
- ◆ Ελέγχετε και συντηρείτε τακτικά το μηχάνημα. Αναθέτετε την επισκευή του μηχανήματος μόνο σε εξουσιοδοτημένο επισκευαστή.

## Ασφάλεια τρίτων

- ◆ Αυτή η συσκευή μπορεί να χρησιμοποιηθεί από παιδιά ηλικίας 8 ετών και άνω καθώς και από άτομα με μειωμένες σωματικές, αισθητηριακές ή διανοητικές ικανότητες ή άτομα χωρίς εμπειρία και γνώσεις, μόνο εφόσον τα άτομα αυτά επιτηρούνται ή τους έχουν δοθεί οδηγίες σχετικά με την ασφαλή χρήση της συσκευής και έχουν κατανοήσει τους πιθανούς κινδύνους.
- ◆ Τα παιδιά δεν πρέπει να παίζουν με τη συσκευή. Ο καθαρισμός και η συντήρηση από τον χρήστη δεν πρέπει να γίνονται από παιδιά χωρίς επίβλεψη.

## Κραδασμοί

Η δηλωμένη τιμή εκπομπής κραδασμών που αναφέρεται στα τεχνικά χαρακτηριστικά και τη δήλωση συμμόρφωσης έχει μετρηθεί σύμφωνα με τυποποιημένη μέθοδο δοκιμής που παρέχεται από το πρότυπο EN 62841 και μπορεί να χρησιμοποιηθεί για τη σύγκριση ενός εργαλείου με ένα άλλο. Η δηλωμένη τιμή εκπομπής κραδασμών μπορεί επίσης να χρησιμοποιηθεί σε έναν προκαταρκτικό προσδιορισμό της έκθεσης σε κραδασμούς.

**Προειδοποίηση!** Στην πράξη, η τιμή εκπομπής κραδασμών κατά την χρήση του ηλεκτρικού εργαλείου μπορεί να διαφέρει από την τιμή που δηλώθηκε, ανάλογα με τον τρόπο που χρησιμοποιείται το εργαλείο. Το επίπεδο κραδασμών μπορεί να αυξηθεί πάνω από το επίπεδο που έχει δηλωθεί.

Κατά τον προσδιορισμό της έκθεσης σε κραδασμούς για τον καθορισμό των απαιτούμενων μέτρων ασφαλείας σύμφωνα με την οδηγία 2002/44/EK για την προστασία προσώπων που χρησιμοποιούν συχνά ηλεκτρικά εργαλεία στην εργασία τους, μια προσεγγιστική εκτίμηση της έκθεσης σε κραδασμούς πρέπει να λαμβάνει υπόψη τις πραγματικές συνθήκες χρήσης και τον τρόπο χρήσης του εργαλείου, συμπεριλαμβανομένων και όλων των επιμέρους τμημάτων του κύκλου εργασίας, όπως τα χρονικά διαστήματα που το εργαλείο ήταν εκτός λειτουργίας και τα διαστήματα λειτουργίας χωρίς φορτίο, επιπλέον του χρόνου πίεσης της σκανδάλης.

## Ετικέτες πάνω στο εργαλείο

Τα εικονογράμματα που ακολουθούν μαζί με τον κωδικό ημερομηνίας εμφανίζονται πάνω στο εργαλείο:



**Προειδοποίηση!** Για να μειωθεί ο κίνδυνος τραυματισμού, ο χρήστης πρέπει να διαβάσει το εγχειρίδιο οδηγιών.



Φοράτε γυαλιά ασφαλείας ή ειδικά προστατευτικά γυαλιά όταν χρησιμοποιείτε αυτό το εργαλείο.



Μην εκθέτετε το εργαλείο στη βροχή ή σε υψηλή υγρασία.



Προσέχετε τις αιχμηρές λεπίδες. Οι λεπίδες συνεχίζουν να κινούνται και μετά την απενεργοποίηση του μοτέρ.



Προσέχετε για τυχόν αντικείμενα που εκσφενδονίζονται. Μην επιτρέπτε να πλησιάσουν άλλα άτομα.



**Κίνδυνος!** Κρατάτε τα χέρια μακριά από τη λεπίδα



Συσκευή κατηγορίας III.



Εγγυημένη ηχητική ισχύς σύμφωνα με την Οδηγία 2000/14/EK.

## Πρόσθετες οδηγίες ασφαλείας για μπαταρίες και φορτιστές

### Μπαταρίες

- ◆ Ποτέ μην επιχειρήσετε να ανοίξετε μπαταρίες, για κανένα λόγο.
- ◆ Μην εκθέτετε την μπαταρία σε νερό.
- ◆ Μην αποθηκεύετε μπαταρίες σε θεσεις όπου η θερμοκρασία ενδέχεται να υπερβεί τους 40 °C.

- ◆ Η φόρτιση πρέπει να γίνεται μόνο σε θερμοκρασίες περιβάλλοντος μεταξύ 10 °C και 40 °C.
- ◆ Φορτίζετε μόνο με τον φορτιστή που παρέχεται μαζί με τη συσκευή/το εργαλείο. Η χρήση λανθασμένου φορτιστή θα μπορούσε να επιφέρει ηλεκτροπληξία, ή υπερθέρμανση της μπαταρίας.
- ◆ Κατά την απόρριψη μπαταριών, τηρείτε τις οδηγίες που παρέχονται στην ενότητα "Προστασία του περιβάλλοντος".
- ◆ Μην προξενήσετε ζημιά/παραμορφώσετε τη μπαταρία είτε με τρύπημα είτε με χτύπημα, επειδή αυτό μπορεί να προκαλέσει κίνδυνο τραυματισμού και πυρκαγιάς.
- ◆ Μη φορτίζετε μπαταρίες που έχουν υποστεί ζημιά.
- ◆ Υπό ακραίες συνθήκες μπορεί να προκύψει διαρροή στην μπαταρία. Αν παρατηρήσετε υγρό πάνω στις μπαταρίες, σκουπίστε το προσεκτικά με ένα πανί. Αποφύγετε την επαφή με το δέρμα.
- ◆ Σε περίπτωση επαφής με το δέρμα ή τα μάτια, ακολουθήστε τις παρακάτω οδηγίες.

**Προειδοποίηση!** Το υγρό της μπαταρίας μπορεί να προκαλέσει σωματικές βλάβες ή υλικές ζημιές. Σε περίπτωση επαφής με το δέρμα, ξεπλύνετε αμέσως με άφθονο νερό. Αν παρουσιάσετε κοκκίνισμα του δέρματος, πόνος ή ερεθισμός, ζητήστε ιατρική βοήθεια. Σε περίπτωση επαφής με τα μάτια, ξεπλύνετε αμέσως με καθαρό νερό και ζητήστε ιατρική βοήθεια.

### Φορτιστές

Ο φορτιστής σας είναι σχεδιασμένος για συγκεκριμένη ηλεκτρική τάση. Ελέγχετε πάντα ότι η τάση ρεύματος δικτύου συμφωνεί με αυτήν που αναγράφεται στην πινακίδα τεχνικών χαρακτηριστικών.

**Προειδοποίηση!** Ποτέ μην επιχειρήσετε να αντικαταστήσετε τη μονάδα φορτιστή με κανονικό φως ρεύματος δικτύου.

- ◆ Ο φορτιστής BLACK+DECKER πρέπει να χρησιμοποιείται αποκλειστικά και μόνο για τη φόρτιση της μπαταρίας στο εργαλείο που συνόδευε. Άλλες μπαταρίες ενδέχεται να εκραγούν, προκαλώντας τραυματισμό ατόμων και ζημιές.
- ◆ Ποτέ μην επιχειρήσετε να φορτίσετε μη επαναφορτιζόμενες μπαταρίες.
- ◆ Αν το καλώδιο ρεύματος έχει υποστεί ζημιά, η αντικατάστασή του πρέπει να γίνει από τον κατασκευαστή ή από ένα εξουσιοδοτημένο κέντρο επισκευών της BLACK+DECKER, ώστε να μην αποτελέσει κίνδυνο.
- ◆ Μην εκθέτετε τον φορτιστή σε νερό.
- ◆ Μην ανοίξετε τον φορτιστή.
- ◆ Μην εισάγετε οποιαδήποτε αντικείμενα μέσα στο φορτιστή.
- ◆ Κατά τη φόρτιση, η συσκευή/το εργαλείο/η μπαταρία πρέπει να βρίσκεται σε καλά αεριζόμενο χώρο.



Ο φορτιστής προορίζεται για χρήση μόνο σε εσωτερικούς χώρους.



Διαβάστε το εγχειρίδιο οδηγιών πριν τη χρήση.

## Ασφαλής χρήση ηλεκτρικού ρεύματος



Ο φορτιστής σας φέρει διπλή μόνωση. Επομένως, δεν απαιτείται αγωγός γείωσης. Ελέγχετε πάντα ότι η τάση ρεύματος δικτύου συμφωνεί με αυτήν που αναγράφεται στην πινακίδα τεχνικών χαρακτηριστικών.

- ♦ Αν το καλώδιο ρεύματος έχει υποστεί ζημιά, η αντικατάστασή του πρέπει να γίνει από τον κατασκευαστή ή από ένα εξουσιοδοτημένο κέντρο επισκευών της BLACK+DECKER, ώστε να μην αποτελέσει κίνδυνο.

**Προειδοποίηση!** Ποτέ μην επιχειρήσετε να αντικαταστήσετε τη μονάδα φορτιστή με κανονικό φως ρεύματος δικτύου.

## Χαρακτηριστικά

1. Διακόπτης ενεργοποίησης/ απενεργοποίησης (On/Off)
2. Κουμπί ασφάλισης
3. Κουμπί απελευθέρωσης λεπίδας
4. Λεπίδα ψαλίδας (GSL360/GSL700)
5. Λεπίδα κοπτικού (GSL300/GSL700)
6. Ενδεικτική λυχνία φόρτισης

## Συναρμολόγηση

**Προειδοποίηση!** Αποφύγετε την αθέλητη ενεργοποίηση του εργαλείου κατά τη συναρμολόγηση.

## Τοποθέτηση της επιτοίχιας βάσης στον τοίχο (Εικ. A & B)

Η επιτοίχια βάση μπορεί να στερεωθεί στον τοίχο ώστε να παρέχεται δυνατότητα εύκολης φύλαξης αλλά και ένα σημείο φόρτισης για το εργαλείο.

- ♦ Βιδώστε τις βίδες στον τοίχο μέσα από τις οπές στις εσοχές της επιτοίχιας βάσης.
- ♦ Τοποθετήστε το εργαλείο πάνω στην επιτοίχια βάση.
- ♦ Συνδέστε τον φορτιστή και βεβαιωθείτε ότι ανάβει η ενδεικτική λυχνία φόρτισης (6) (Εικ. Α).
- ♦ Αν χρειάζεται, χρησιμοποιήστε τις δύο προεξοχές (7) κάτω από την επιτοίχια βάση για να φυλάξετε τη μη χρησιμοποιούμενη λεπίδα (Εικ. Β).

**Προειδοποίηση!** Αποφύγετε να προσεγγίσετε ζημιά στο καλώδιο ρεύματος όταν στερεώνετε την επιτοίχια βάση στον τοίχο.

## Αφαίρεση του βύσματος του φορτιστή από την επιτοίχια βάση (Εικ. C)

Το εργαλείο μπορεί να φορτιστεί χωρίς τη χρήση της επιτοίχιας βάσης.

Το βύσμα του φορτιστή μπορεί να συνδεθεί απευθείας στο εργαλείο.

- ♦ Αφαιρέστε τις βίδες από την πλάτη της επιτοίχιας βάσης.
- ♦ Μετακινήστε το πίσω τμήμα (8) και αφαιρέστε το από το μπροστινό τμήμα (9) για να ανοίξετε την επιτοίχια βάση.
- ♦ Αφαιρέστε το βύσμα του φορτιστή από την επιτοίχια βάση.

## Τοποθέτηση και αφαίρεση της λεπίδας (Εικ. D & E)

Η λεπίδα της ψαλίδας (4) έχει σχεδιαστεί για κοπή γρασιδιού και αγριόχορτων. Η λεπίδα κοπής (5) έχει σχεδιαστεί για κοπή φραχτών και θάμνων.

- ♦ Αφαιρέστε το κάλυμμα της λεπίδας.
- ♦ Σπρώξτε στην κατεύθυνση του βέλους και κρατήστε πατημένο το κουμπί απελευθέρωσης λεπίδας (3) (Εικ. D1).
- ♦ Σύρετε το κάλυμμα της λεπίδας (10) προς τα πίσω και ανασηκώστε το για να το αφαιρέσετε (Εικ. D2).
- ♦ Χαμηλώστε τη λεπίδα στους πείρους.
- ♦ Ενώ κρατάτε τη λεπίδα πάνω στους πείρους (Εικ. E1), επανατοποθετήστε το κάλυμμα λεπίδας (10) και σύρετέ το προς τα εμπρός (Εικ. E2).

**Σημείωση:** Δεν απαιτείται ευθυγράμμιση της λεπίδας με τον πείρο μετάδοσης κίνησης και δεν χρειάζεται να πατηθεί το κουμπί απελευθέρωσης του καλύμματος λεπίδας κατά την επανατοποθέτηση του καλύμματος λεπίδας.

## Χρήση

**Προειδοποίηση!** Αφήνετε το εργαλείο να λειτουργήσει με τον δικό του ρυθμό. Μην υπερφορτώνετε το εργαλείο.

## Φόρτιση της μπαταρίας

Η μπαταρία πρέπει να φορτιστεί πριν την πρώτη χρήση και όταν δεν μπορεί πλέον να παρέχει επαρκή ισχύ σε εργασίες που πριν γίνοντουσαν εύκολα. Κατά την πρώτη φόρτιση της μπαταρίας ή μετά από παρατεταμένη αποθήκευση, αυτή δέχεται μόνο το 80% της πλήρους φόρτισης. Μετά από πολλούς κύκλους φόρτισης και εκφόρτισης, η μπαταρία αποκτά πλήρη χωρητικότητα. Η μπαταρία μπορεί να θερμαίνεται κατά τη φόρτιση. Κάτι τέτοιο είναι φυσιολογικό και δεν υποδηλώνει πρόβλημα.

**Προειδοποίηση!** Μη φορτίζετε την μπαταρία σε θερμοκρασίες περιβάλλοντος κάτω από 10 °C ή πάνω από 40 °C. Η συνιστώμενη θερμοκρασία φόρτισης είναι περίπου 24 °C.

Το εργαλείο μπορεί να παραμείνει συνδεδεμένο με τον φορτιστή επ' αόριστον.

Για να μεγιστοποιήσετε τη διάρκεια ζωής της μπαταρίας, συνιστάται να διατηρείτε την μπαταρία συνδεδεμένη στον φορτιστή όταν δεν χρησιμοποιείτε το εργαλείο. Όταν η μπαταρία είναι πλήρως φορτισμένη, η κατανάλωση ρεύματος του φορτιστή είναι αμελητέα.

**Φόρτιση με την επιτοίχια βάση (Εικ. F)**

- ◆ Τοποθετήστε το εργαλείο πάνω στην επιτοίχια βάση (11).
- ◆ Συνδέστε τον φορτιστή στην πρίζα.

**Φόρτιση με το βύσμα του φορτιστή (Εικ. G)**

Το βύσμα του φορτιστή έχει σχεδιαστεί με χαρακτηριστικά φραγής για την αποτροπή της χρήσης λανθασμένου φορτιστή.

- ◆ Εισάγετε το βύσμα φορτιστή (12) στον σύνδεσμο φορτιστή στο πίσω μέρος του εργαλείου.
- ◆ Συνδέστε τον φορτιστή στην πρίζα.

**GSL700 - Φόρτιση της μπαταρίας**

- ◆ Φορτίστε την μπαταρία.

Όταν φορτίζεται η μπαταρία, αναβοσβήνει η ενδεικτική λυχνία φόρτισης (6). Η ενδεικτική λυχνία φόρτισης θα σταματήσει να αναβοσβήνει όταν έχει ολοκληρωθεί η φόρτιση.

**GSL200/ GSL300 - Φόρτιση της μπαταρίας**

- ◆ Φορτίστε την μπαταρία.

Όταν φορτίζεται η μπαταρία, αναβοσβήνει η ενδεικτική λυχνία φόρτισης (6). Η ενδεικτική λυχνία φόρτισης θα σταματήσει να αναβοσβήνει όταν έχει ολοκληρωθεί η φόρτιση. Η ενδεικτική λυχνία φόρτισης αναβοσβήνει γρήγορα όταν υπάρχει πρόβλημα φόρτισης. Αν προκύψει πρόβλημα φόρτισης, συνδέστε το εργαλείο απευθείας στο βύσμα φορτιστή αφαιρώντας την επιτοίχια βάση. Αν το πρόβλημα εξακολουθεί να υπάρχει, ο φορτιστής πρέπει να αποσυνδεθεί από την παροχή ρεύματος δικτύου και να παραδοθεί σε εξουσιοδοτημένο κέντρο σέρβις για επισκευή.

**Ενεργοποίηση και απενεργοποίηση (Εικ. H)****Ενεργοποίηση**

- ◆ Πατήστε και κρατήστε πατημένο το κουμπί ασφάλισης (2) προς τα δεξιά ή προς τα αριστερά και κατόπιν πατήστε τον διακόπτη ενεργοποίησης/ απενεργοποίησης (on/off) (1).
- ◆ Ελευθερώστε το κουμπί ασφάλισης.

**Απενεργοποίηση**

- ◆ Ελευθερώστε τον διακόπτη ενεργοποίησης/ απενεργοποίησης (on/off) (1).

**Προειδοποίηση!** Σε καμία περίπτωση μην επιχειρήσετε ποτέ να ασφαλίσετε τον διακόπτη στην ενεργοποιημένη θέση.

**Συμβουλές για την καλύτερη δυνατή χρήση (Εικ. I & J)**

- ◆ Πριν την πρώτη χρήση, και όταν οι λεπίδες έχουν ξηρή εμφάνιση, ψεκάστε τη λεπίδα με μια λεπτή στρώση λαδιού γενικής χρήσης.

**Κοπή γρασιδιού**

- ◆ Για να επιτύχετε τα καλύτερα αποτελέσματα κοπής, κόβετε μόνο στεγνό γρασίδι.
- ◆ Κρατάτε το εργαλείο όπως φαίνεται στην Εικ. I. Κρατάτε το άλλο χέρι σας μακριά από τη λεπίδα. Διατηρείτε μια ευσταθή θέση εργασίας, έτσι ώστε να μη γλιστρήσετε. Μην τεντώνετε υπερβολικά.
- ◆ Όταν κόβετε ψηλό γρασίδι, εργαστείτε σταδιακά από την κορυφή προς τα κάτω. Πραγματοποιείτε μικρές κοπές.
- ◆ Κρατάτε το εργαλείο μακριά από σκληρά αντικείμενα και ευαίσθητα φυτά.
- ◆ Εάν το εργαλείο αρχίσει να λειτουργεί πιο αργά, μειώστε το φορτίο.
- ◆ Για να πραγματοποιήσετε μια πλησιέστερη κοπή, γείρετε ελαφρά το εργαλείο.

**Κοπή φραχτών**

- ◆ Γείρετε ελαφρά το εργαλείο (έως 15° ως προς τη γραμμή κοπής) έτσι ώστε οι μύτες των λεπίδων να είναι στραμμένες ελαφρά προς το φυτικό φράχτη (Εικ. J). Αυτό θα κάνει τις λεπίδες να κόβουν πιο αποτελεσματικά.
- ◆ Ξεκινήστε την κοπή από το πάνω μέρος του φυτικού φράχτη. Κρατήστε το εργαλείο στην επιθυμητή γωνία και μετακινήστε το σταθερά κατά μήκος της γραμμής κοπής. Η λεπίδα διπλής κόψης επιτρέπει την κοπή και προς τις δύο κατευθύνσεις.
- ◆ Προκειμένου να επιτύχετε πολύ ίσια κοπή, δέστε ένα κομμάτι σπάγκου τεντωμένο κατά μήκος του φράχτη, στο επιθυμητό ύψος. Χρησιμοποιήστε το σπάγκο ως οδηγό, κόβοντας ακριβώς από πάνω του.
- ◆ Για να επιτύχετε επίπεδες πλευρές, κόβετε προς τα πάνω προς την κατεύθυνση της βλάστησης. Τα πιο νεαρά κοτσάνια μετακινούνται προς τα έξω όταν η λεπίδα κόβει προς τα κάτω, με αποτέλεσμα να δημιουργούνται "βαθουλώματα" στον φυτικό φράχτη.
- ◆ Προσέχετε ώστε να αποφεύγετε τυχόν ξένα σώματα. Ειδικότερα, να αποφεύγετε σκληρά αντικείμενα, όπως π.χ. μεταλλικά σύρματα και κιγκλιδώματα, καθώς αυτά μπορεί να προκαλέσουν ζημιά στις λεπίδες.
- ◆ Λιπαίνετε τακτικά τις λεπίδες.

**Γενικές οδηγίες κοπής (Hv. Βασιλείο & Ιρλανδία)**

- ◆ Στην περίπτωση φυλλοβόλων φραχτών και θάμνων (δηλ. με καινούριο φύλλωμα κάθε χρόνο) κουρεύετε τον Ιούνιο και τον Οκτώβριο.
- ◆ Στην περίπτωση αιθιαλών φυτών, κουρεύετε τον Απρίλιο και τον Αύγουστο.
- ◆ Τέλος, στην περίπτωση κωνοφόρων και άλλων θάμνων με γρήγορη ανάπτυξη, κουρεύετε κάθε έξι εβδομάδες από το Μάιο μέχρι τον Οκτώβριο.

## Γενικές οδηγίες κοπής και περιποίησης (Αυστραλία & Νέα Ζηλανδία)

- ◆ Στην περίπτωση φυλλοβόλων φυτικών φραχτών και θάμνων (δηλ. με καινούργιο φύλλωμα κάθε χρόνο), κουρεύετε το Δεκέμβριο και το Μάρτιο.
- ◆ Στην περίπτωση αιθάλων φυτών, κουρεύετε Σεπτέμβριο και Φεβρουάριο.
- ◆ Τέλος, στην περίπτωση κωνοφόρων και άλλων θάμνων με γρήγορη ανάπτυξη της βλάστησης, κουρεύετε κάθε έξι εβδομάδες από τον Οκτώβριο μέχρι το Μάρτιο.

## Συντήρηση

Αυτή η συσκευή/το εργαλείο ρεύματος/μπαταρίας της BLACK+DECKER έχει σχεδιαστεί έτσι ώστε να λειτουργεί για μεγάλο χρονικό διάστημα με την ελάχιστη δυνατή συντήρηση. Η συνεχής ικανοποιητική λειτουργία του εργαλείου εξαρτάται από τη σωστή φροντίδα και τον τακτικό καθαρισμό του.

**Προειδοποίηση!** Πριν πραγματοποιήσετε οποιαδήποτε συντήρηση σε ηλεκτρικά εργαλεία ρεύματος/μπαταρίας:

- ◆ Απενεργοποιήστε και αποσυνδέστε από την πρίζα τη συσκευή/το εργαλείο.
- ◆ Ή απενεργοποιήστε και αφαιρέστε την μπαταρία από τη συσκευή/το εργαλείο, εάν η συσκευή/το εργαλείο διαθέτει ξεχωριστό πακέτο μπαταριών.
- ◆ Ή χρησιμοποιήστε το εργαλείο μέχρι να εξαντληθεί η μπαταρία και στη συνέχεια απενεργοποιήστε το.
- ◆ Αποσυνδέστε τον φορτιστή από την πρίζα πριν τον καθαρίσετε. Ο φορτιστής σας δεν χρειάζεται καμία άλλη συντήρηση πέραν του τακτικού καθαρισμού.
- ◆ Καθαρίζετε τακτικά τα ανοίγματα εξαερισμού της συσκευής/του εργαλείου/του φορτιστή χρησιμοποιώντας μια μαλακή βούρτσα ή ένα στεγνό πανί.
- ◆ Καθαρίζετε τακτικά το περίβλημα του μοτέρ χρησιμοποιώντας ένα ελαφρά υγρό πανί. Μη χρησιμοποιείτε καθαριστικά που χαράζουν ή περιέχουν διαλύτες.
- ◆ Ανοίγετε τακτικά το τσοκ (εφόσον υπάρχει στον εξοπλισμό) και χτυπάτε το ελαφρά για να αφαιρείται η σκόνη από το εσωτερικό του.
- ◆ Μετά τη χρήση, καθαρίζετε προσεκτικά τις λεπίδες. Μετά τον καθαρισμό, περάστε τις λεπίδες με ένα λεπτό στρώμα λαδιού μηχανής για την προστασία τους από τη σκουριά.

## Φύλαξη

Εάν το εργαλείο δεν πρόκειται να χρησιμοποιηθεί για αρκετούς μήνες, είναι προτιμότερο να αφήσετε την μπαταρία συνδεδεμένη με το φορτιστή. Διαφορετικά, κάντε τα ακόλουθα:

- ◆ Φορτίστε πλήρως την μπαταρία.
- ◆ Αποθηκεύστε το εργαλείο σε ασφαλές και στεγνό μέρος. Η θερμοκρασία αποθήκευσης πρέπει πάντοτε να παραμένει μεταξύ +10 °C έως +40 °C.

- ◆ Πριν χρησιμοποιήσετε το εργαλείο μετά από παρατεταμένη αποθήκευση, επαναφορτίστε πλήρως την μπαταρία.

## Προστασία του περιβάλλοντος



Χωριστή συλλογή. Τα προϊόντα και οι μπαταρίες που επισμαίνονται με αυτό το σύμβολο δεν πρέπει να απορρίπτονται μαζί με τα κανονικά οικιακά απορρίμματα.

Τα προϊόντα και οι μπαταρίες περιέχουν υλικά που μπορούν να ανακτηθούν ή να ανακυκλωθούν, ώστε να μειωθούν οι ανάγκες για πρώτες ύλες.

Παρακαλούμε να ανακυκλώνετε τα ηλεκτρικά προϊόντα και τις μπαταρίες σύμφωνα με τους τοπικούς κανονισμούς.

Περισσότερες πληροφορίες διατίθενται στον ιστότοπο [www.2helpU.com](http://www.2helpU.com)

## Τεχνικά χαρακτηριστικά

		GSL200	GSL300	GSL700
Τάση	V <sub>DC</sub>	3,6	3,6	7,0
Αριθμός διαδρομών λεπίδας (χωρίς φορτίο)	min <sup>-1</sup>	850	850	850
Μήκος λεπίδων (ψαλίδα)	cm	10	-	10
Διάκενο λεπίδων (ψαλίδα)	mm	23	-	23
Μήκος λεπίδων (κοπτική)	cm	-	15	15
Διάκενο λεπίδων (κοπτική)	mm	-	8	8
Χρόνος φρεναρίσματος λεπίδας	δευτ.	< 1	< 1	< 1
Βάρος	kg	0,65	0,65	0,65

Φορτιστής		
Τάση εισόδου	V <sub>AC</sub>	230
Τάση εξόδου	V <sub>DC</sub>	15V
Ρεύμα	mA	150mA
Χρόνος φόρτισης, περ.	ώρ.	10h
Βάρος	kg	0.15

### Στάθμη ηχητικής πίεσης κατά EN 62841:

Ηχητική πίεση (L<sub>WA</sub>) 75 dB(A), αβεβαιότητα (K) 3 dB(A)

Ηχητική ισχύς (L<sub>WA</sub>) 84 dB(A), αβεβαιότητα (K) 3 dB(A)

### Συνολικές τιμές κραδασμών (διανυσματικό άθροισμα τριών αξόνων) κατά EN 62841:

(a<sub>w</sub>) 2,5 m/s<sup>2</sup>, αβεβαιότητα (K) 1,5 m/s<sup>2</sup>

**ΟΔΗΓΙΑ ΠΕΡΙ ΜΗΧΑΝΗΜΑΤΩΝ**  
**ΟΔΗΓΙΑ ΓΙΑ ΘΟΥΡΒΟΥΣ ΣΕ ΕΞΩΤΕΡΙΚΟΥΣ ΧΩΡΟΥΣ**



GSL200, GSL300, GSL700 - Ψαλίδα/Κοπτικό

Η Black & Decker δηλώνει ότι τα προϊόντα αυτά που περιγράφονται στα "τεχνικά χαρακτηριστικά" συμμορφώνονται με τα ακόλουθα:

2006/42/EC και EN 62841-1:2015 + A11:2022,  
 EN 62841-4-2:2019, EN IEC 62841-4-5:2021+A11:2021

Στάθμη ηχητικής ισχύος σύμφωνα με 2000/14/EK  
 (Άρθρο 13, Παράρτημα III):

$L_{WA}$  (μετρημένη ηχητική ισχύς) 84 dB(A)  
 Αβεβαιότητα = 3 dB(A)

$L_{WA}$  (εγγυημένη ηχητική ισχύς) 87 dB(A)

Αυτά τα προϊόντα συμμορφώνονται και με την Οδηγία  
 2014/30/EE και 2011/65/EE.

Για περισσότερες πληροφορίες, επικοινωνήστε με την Black & Decker στην παρακάτω διεύθυνση ή ανατρέξτε στο πίσω μέρος του εγχειριδίου.

Ο κάτωθι υπογεγραμμένος είναι υπεύθυνος για την κατάρτιση του τεχνικού φακέλου και δηλώνει τα παραπάνω εκ μέρους της Black & Decker.

*Patrick Diepenbach*

Patrick Diepenbach

Γενικός διευθυντής, Μπενελούξ

Black & Decker,

Egide Walschaertsstraat 14-18

2800 Mechelen, Belgium (Βέλγιο)

03/08/2022

## Εγγύηση

Η Black & Decker είναι σίγουρη για την ποιότητα των προϊόντων της και προσφέρει στους καταναλωτές εγγύηση 24 μηνών από την ημερομηνία αγοράς. Αυτή η εγγύηση συμπληρώνει και με κανένα τρόπο δεν παραβάλλει τα νόμιμα δικαιώματά σας. Η εγγύηση ισχύει εντός της επικράτειας των χωρών μελών της Ευρωπαϊκής Ένωσης και της Ευρωπαϊκής Ζώνης Ελευθερών Συναλλαγών και το Ηνωμένο Βασίλειο.

Για να υποβάλετε αξίωση βάσει της εγγύησης, η αξίωση θα πρέπει να είναι σύμφωνη με τους Όρους και Προϋποθέσεις της Black&Decker και θα χρειαστεί να υποβάλετε απόδειξη αγοράς στον πωλητή ή σε εξουσιοδοτημένο αντιπρόσωπο σέρβις. Μπορείτε να αποκτήσετε τους Όρους και Προϋποθέσεις της εγγύησης 2 ετών της Black&Decker και να μάθετε την τοποθεσία του πλησιέστερου εξουσιοδοτημένου αντιπροσώπου επισκευών στο Internet στο [www.2helpU.com](http://www.2helpU.com), ή επικοινωνώντας με το τοπικό σας γραφείο Black & Decker στη διεύθυνση που υποδεικνύεται στο παρόν εγχειρίδιο. Παρακαλούμε επισκεφθείτε την ιστοσελίδα μας [www.blackanddecker.gr](http://www.blackanddecker.gr) για να καταχωρίσετε το νέο σας προϊόν Black & Decker και για να ενημερώνεστε για τα νέα προϊόντα και τις ειδικές προσφορές.









<b>België/Belgique/Luxembourg</b> www.blackanddecker.be enduser.be@sbdinc.com	Stanley Black & Decker Belgium BVBA Egide Walschaertsstraat 16 2800 Mechelen	Tel. NL Tel. FR Fax.	+32 15 47 37 65 +32 15 47 37 66 +32 15 47 37 99
<b>Danmark</b>	Black & Decker Roskildevej 22 2620 Albertslund	kundeservice.dk@sbdinc.com www.blackanddecker.dk	
<b>Deutschland</b> www.blackanddecker.de infobfge@sdbinc.com	Stanley Black & Decker Deutschland GmbH Black & Decker Str. 40, D - 65510 Idstein	Tel. Fax	06126 21-0 06126 21-2980
<b>Ελλάδα</b> www.blackanddecker.gr greece.service@sbdinc.com	Stanley Black & Decker (ΕΛΛΑΣ) Ε.Π.Ε ΓΡΑΦΕΙΑ: Σπύρου 7 & Βουλιαγμένης 166 74 Γλυφάδα - Αθήνα	Τηλ. Φαξ	210-8981616 210-8983570
<b>SERVICE:</b>	Ημερος Τόπος 2 -Χάνι Αδάμ 193 00 Ασπρόπυργος - Αθήνα	Τηλ. Service Φαξ	210-8985208 210-5597598
<b>España</b> www.blackanddecker.es respuesta.posventa@sbdinc.com	Stanley Black & Decker Ibérica, S.C.A. Parc de Negocis "Mas Blau" Edificio Muntadas, c/Bergadá, 1, Of. A6 08820 El Prat de Llobregat (Barcelona)	Tel. Fax	934 797 400 934 797 419
<b>France</b> www.blackanddecker.fr	Stanley Black & Decker 62 chemin de la Bruyère 69570 Dardilly, France	Tel. Fax	04 72 20 39 20 04 72 20 39 00
<b>Helvetia</b> www.blackanddecker.ch service@rofoag.ch	ROFO AG Gewerbezone Seeblick 3213 Kleinbödingen	Tel. Fax	026-6749393 026-6749394
<b>Italia</b> www.blackanddecker.it service.italia@sbdinc.com	Stanley Black & Decker Italia Via Energypark 6 20871 Vimercate (MB)	Tel. Fax Numero verde	039-9590200 039-9590313 800-213935
<b>Nederland</b> www.blackanddecker.nl enduser.nl@sbdinc.com	Stanley Black & Decker Netherlands BV Holtum Noordweg 35, 6121 RE BORN Postbus 83, 6120 AB BORN	Tel. Fax	+31 164 283 065 +31 164 283 200
<b>Norge</b>	Black & Decker Postboks 4613, Nydalen 0405 Oslo	kundeservice.no@sbdinc.com www.blackanddecker.no	
<b>Österreich</b> www.blackanddecker.at service.austria@sbdinc.com	Stanley Black & Decker Austria GmbH Oberlaaerstraße 248, A-1230 Wien	Tel. Fax	01 66116-0 01 66116-614
<b>Portugal</b> www.blackanddecker.pt resposta.posvenda@sbdinc.com	Black & Decker Limited SARL Quinta da Fonte - Edifício Q55 D. Diniz Rua dos Malhões, 2 e 2A - Piso 2 Esquerdo 2770 - 071 Paço de Arcos	Tel. Fax	214667500 214667580
<b>Suomi</b>	Black & Decker PL47 00521, Helsinki	asiakaspalvelu.fi@sbdinc.com www.blackanddecker.fi	
<b>Sverige</b>	Black & Decker AB Box 94, 431 22 Mölndal	kundservice.se@sbdinc.com www.blackanddecker.se	
<b>Türkiye</b> www.blackanddecker.com.tr	KALE Hirdavat ve Makina A.Ş. Defterdar Mah. Savaklar Cad. No:15 Edirnekapı / Eyüp / İstanbul 34050	Tel. Fax.	0212 533 52 55 0212 533 10 05
<b>United Kingdom &amp; Republic Of Ireland</b> www.blackanddecker.co.uk emeaservice@sbdinc.com	Black & Decker 270 Bath Road Slough, Berkshire SL1 4DX	Tel. Fax	01753 511234 01753 512365
<b>Middle East &amp; Africa</b> www.blackanddecker.ae service.mea@sbdinc.com	Black & Decker P.O.Box - 17164 Jebel Ali Free Zone (South), Dubai, UAE	Tel. Fax	+971 4 8863030 +971 4 8863333