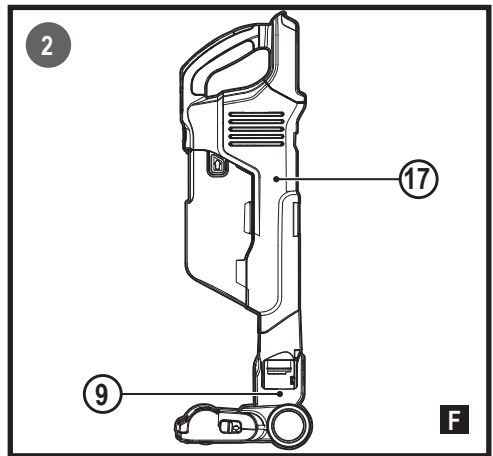
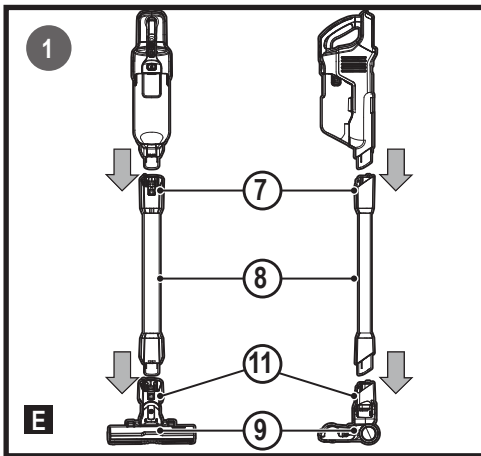
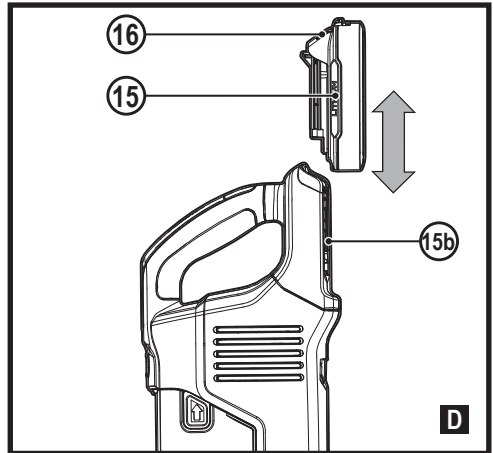
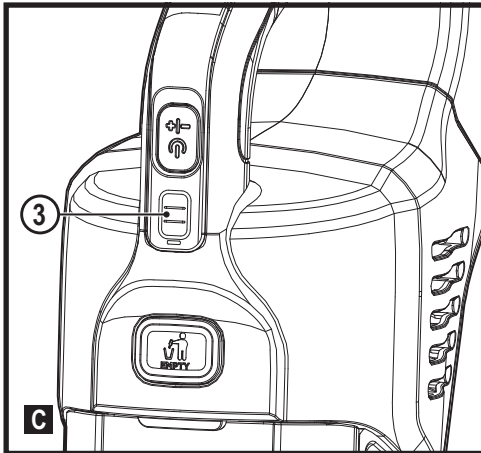
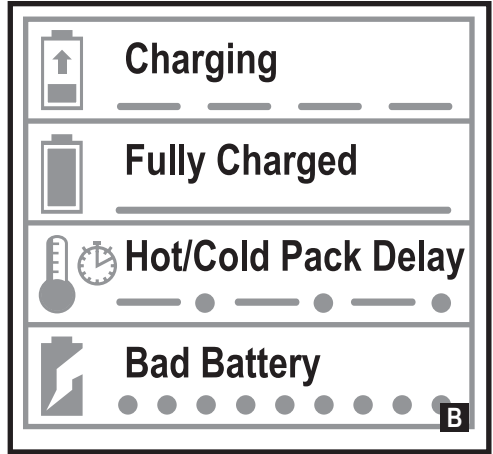
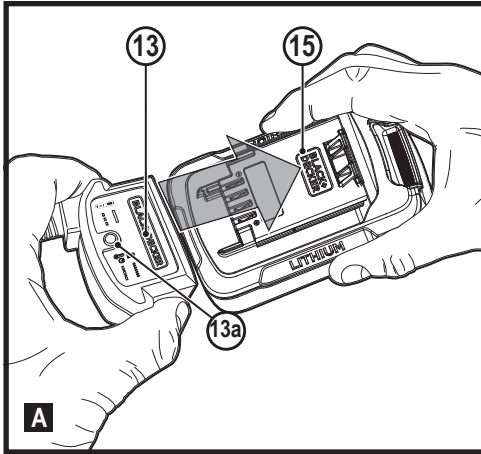
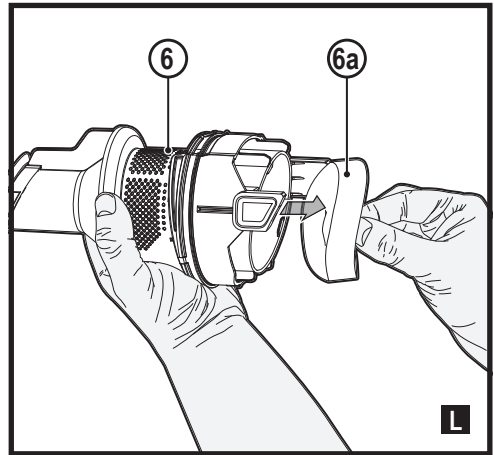
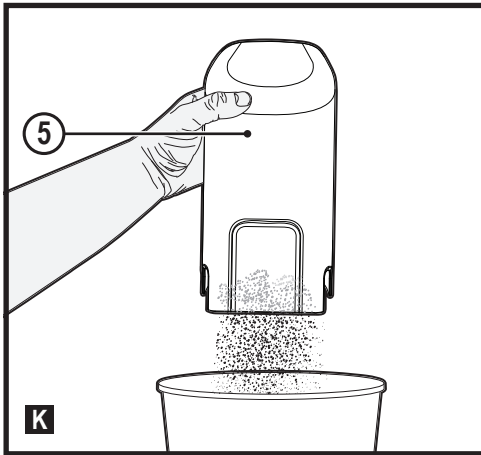
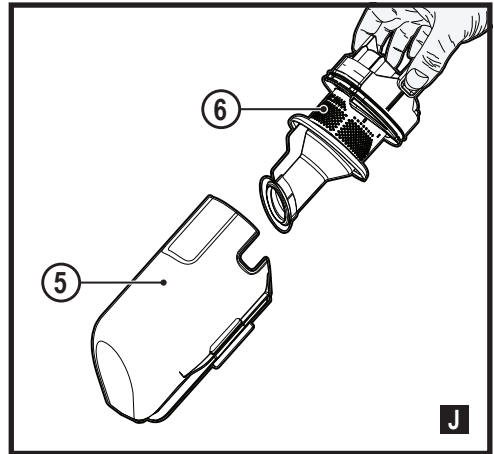
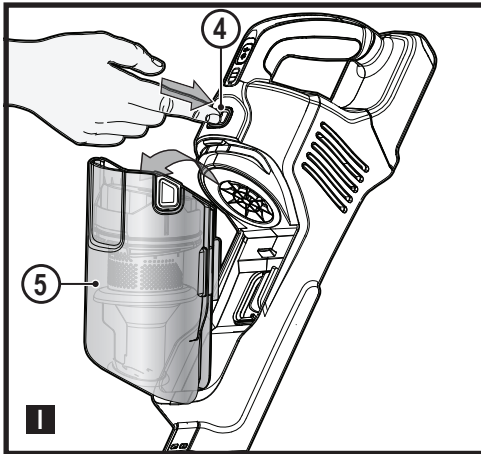
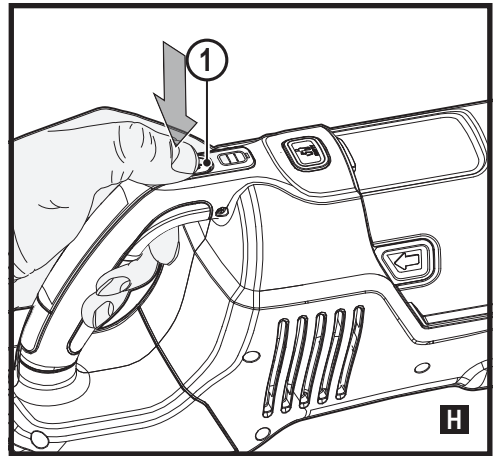
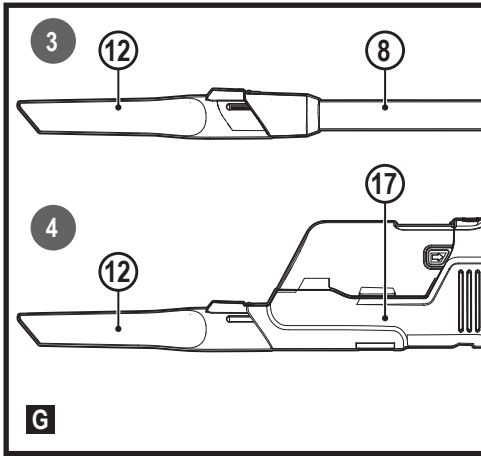
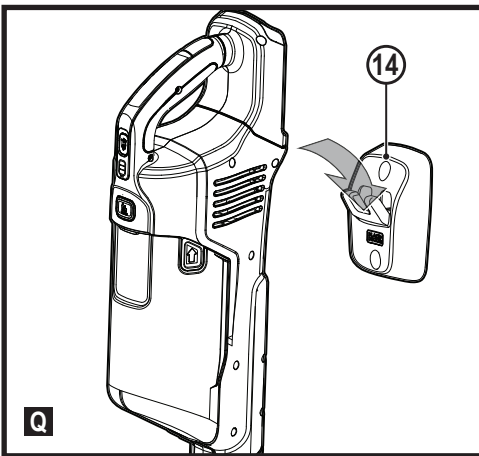
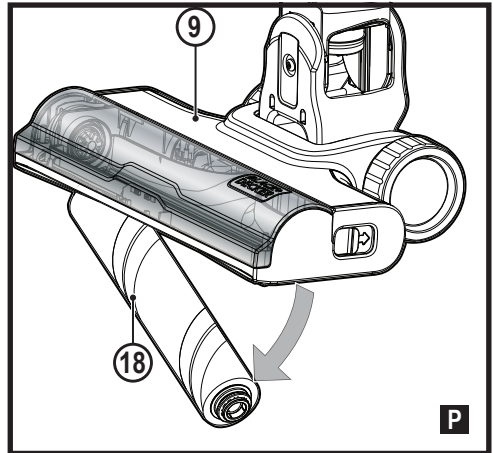
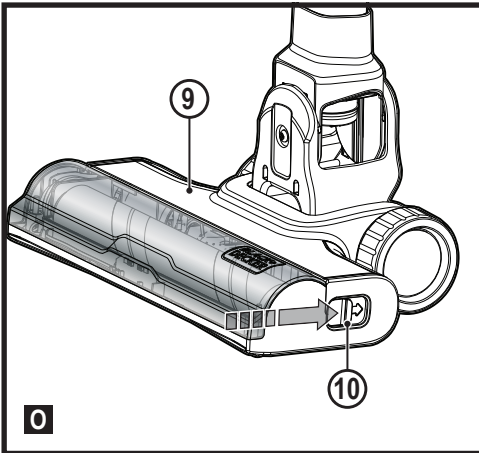
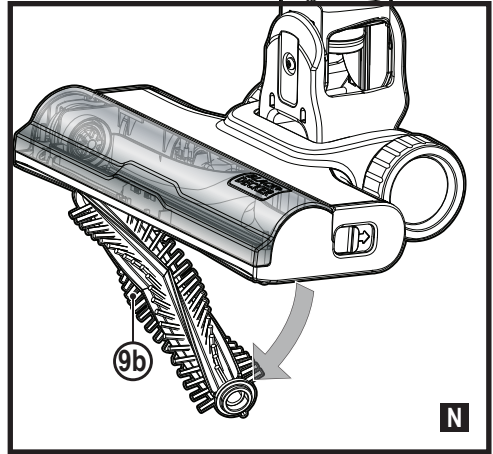
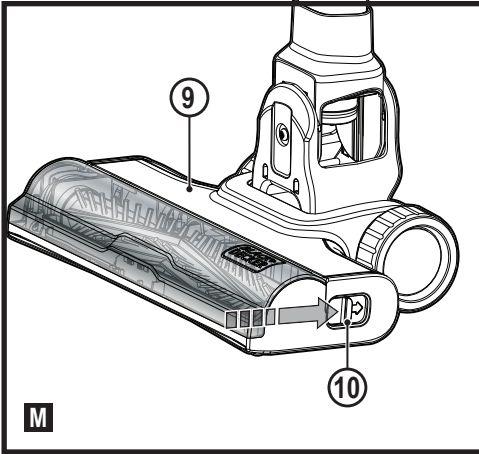


English (original instructions)	5
Deutsch (<i>übersetzt von den originalanweisungen</i>)	11
Français (<i>traduction de la notice d'instructions originale</i>)	18
Italiano (<i>tradotto dalle istruzioni originali</i>)	24
Nederlands (<i>vertaald vanuit de originele instructies</i>)	31
Español (<i>traducido de las instrucciones originales</i>)	37
Português (<i>traduzido das instruções originais</i>)	43
Svenska (<i>översatt från de ursprungliga instruktionerna</i>)	50
Norsk (<i>oversatt fra de originale instruksjonene</i>)	56
Dansk (<i>oversat fra original brugsvejledning</i>)	61
Suomi (<i>käännetty alkuperäisestä käyttöohjeesta</i>)	67
Ελληνικά (<i>μετάφραση από τις πρωτότυπες οδηγίες</i>)	72
Türkçe (<i>Orjinal talimatların Çeviri</i>)	80







Intended use

Your BLACK+DECKER REVS18D, REVS18D1HF cordless vacuum cleaner has been designed for vacuum cleaning purposes. This appliance is intended for household use only.



Read all of this manual carefully before operating the appliance.

Safety instructions



Warning! Read all safety warnings and all instructions.

Failure to follow the warnings and instructions listed below may result in electric shock, fire and/or serious injury.

- ◆ The intended use is described in this manual. The use of any accessory or attachment or the performance of any operation with this appliance other than those recommended in this instruction manual may present a risk of personal injury.
- ◆ Retain this manual for future reference.
- ◆ This appliance contains batteries that are only replaceable by skilled persons.

Using your appliance

- ◆ Do not use the appliance to pick up liquids or any materials that could catch fire.
- ◆ Do not use without dust bowl and/or filters in place
- ◆ Do not use the appliance near water.
- ◆ Do not immerse the appliance in water.
- ◆ Do not put any object into openings. Do not use with any opening blocked; keep free of dust, lint, hair, and anything that may reduce air flow.
- ◆ Keep hair, loose clothing, fingers, and all parts of body away from openings and moving parts.
- ◆ Never pull the charger lead to disconnect the charger from the socket.
Keep the charger lead away from heat, oil and sharp edges.

- ◆ This appliance can be used by children aged from 8 years and above and persons with reduced physical, sensory or mental capabilities or lack of experience and knowledge if they have been given supervision or instruction concerning use of the appliance in a safe way and understand the hazards involved. Children shall not play with the appliance. Cleaning and user maintenance shall not be made by children without supervision.

Inspection and repairs

Before use, check the appliance for damaged or defective parts. Check for breakage of parts, damage to switches and any other conditions that may affect its operation.

- ◆ Do not use the appliance if any part is damaged or defective.
- ◆ Have any damaged or defective parts repaired or replaced by an authorized repair agent.
- ◆ Regularly check the charger lead for damage. Replace the charger if the lead is damaged or defective.
- ◆ Never attempt to remove or replace any parts other than those specified in this manual.

Additional safety instructions

After use

- ◆ Unplug the charger before cleaning the charger or charging base.
- ◆ When not in use, the appliance should be stored in a dry place.

- ◆ Children should not have access to stored appliances.

Residual risks

Additional residual risks may arise when using the tool which may not be included in the enclosed safety warnings. These risks can arise from misuse, prolonged use etc.

Even with the application of the relevant safety regulations and the implementation of safety devices, certain residual risks can not be avoided. These include:

- ◆ Injuries caused by touching any rotating/moving parts.
- ◆ Injuries caused when changing any parts, blades or accessories.
- ◆ Injuries caused by prolonged use of a tool. When using any tool for prolonged periods ensure you take regular breaks.
- ◆ Impairment of hearing.
- ◆ Health hazards caused by breathing dust developed when using your tool (example:- working with wood, especially oak, beech and MDF.)

Batteries and chargers

Batteries (can be sold seperately)

- ◆ Rechargeable batteries are to be removed from the appliance before being charged.
- ◆ Batteries are to be inserted with the correct polarity.
- ◆ Exhausted batteries are to be removed from the appliance and safely disposed of.

- ◆ If the appliance is to be stored unused for a long period, the batteries should be removed.
- ◆ The supply terminals are not to be short circuited.
- ◆ Never attempt to open for any reason.
- ◆ Do not expose the battery to water.
- ◆ Do not expose the battery to heat.
- ◆ Do not store in locations where the temperature may exceed 40°C.
- ◆ Charge only at ambient temperatures between 10°C and 40°C.
- ◆ Charge only using the charger provided with the appliance/tool. Using the wrong charger could result in an electric shock or overheating of the battery.
- ◆ When disposing of batteries, follow the instructions given in the section "Protecting the environment".
- ◆ Do not damage/deform the battery pack either by puncture or impact, as this may create a risk of injury and fire.
- ◆ Do not charge damaged batteries.
- ◆ Under extreme conditions, battery leakage may occur. When you notice liquid on the batteries carefully wipe the liquid off using a cloth. Avoid skin contact.
- ◆ In case of skin or eye contact, follow the instructions below.

Warning! The battery fluid may cause personal injury or damage to property. In case of skin contact, immediately rinse with water. If redness, pain or irritation occurs seek medical attention. In case of eye contact, rinse immediately with clean water and seek medical attention.

Chargers (can be sold separately)

Your charger has been designed for a specific voltage. Always check that the mains voltage corresponds to the voltage on the rating plate and the information in the technical data table.

Warning! Never attempt to replace the charger unit with a regular mains plug.

- ◆ Use your BLACK+DECKER charger only to charge the battery in the appliance/tool with which it was supplied. Other batteries could burst, causing personal injury and damage.
- ◆ Never attempt to charge non-rechargeable batteries.
- ◆ If the supply cord is damaged, it must be replaced by the manufacturer or an authorised BLACK+DECKER Service Centre in order to avoid a hazard.
- ◆ Do not expose the charger to water.
- ◆ Do not open the charger.
- ◆ Do not probe the charger.
- ◆ The appliance/tool/battery must be placed in a well ventilated area when charging.

Electrical safety

Symbols on the charger



Read all of this manual carefully before using the appliance.



This tool is double insulated; therefore no earth wire is required. Always check that the power supply corresponds to the voltage on the rating plate.



The charging base is intended for indoor use only.

Labels on appliance

The following symbols appear on this appliance along with the date code



Read all of this manual carefully before using the appliance



Keep hair away from brushes, openings and other moving parts

Features

This tool includes some or all of the following features.

1. On/off power button
2. Main handle
3. State of charge indicator
4. Dust bowl release button
5. Clear dust bowl
6. Cyclonic filter assembly
7. Extension pole release button
8. Extension pole
9. Floorhead (with in-built floor sense)
- 9b. Beater bar
10. Beater bar release button
11. Floorhead release button
12. Crevice tool
13. Charger
14. Storage station
15. Battery pack
16. Battery pack release button
17. Main unit
18. Soft roller beater bar (REVS18D1HF only)

Use

Charging the battery (Fig. A, B)

The standard charger provided will charge a fully depleted battery in about 5 hours

- ◆ Plug the charger (13) into an appropriate outlet before inserting the battery pack (15).
- ◆ Insert the battery pack (15) into the charger (13) as shown in figure A.
- ◆ The green LED (13a) will flash indicating that the battery is being charged.
- ◆ The completion of charge is indicated by the green LED (13a) remaining on continuously. The pack is fully charged and may be used at this time or left on the charger.

Note: Recharge discharged batteries as soon as possible after use or battery life may be greatly diminished.

Note: The charger and battery pack can be left connected with the green LED glowing indefinitely.

The charger will keep the battery pack fresh and fully charged.

Important charging notes

- ◆ Longest life and best performance can be obtained if the battery pack is charged when the air temperature is between 18°- 24°C.

DO NOT charge the battery pack in an air temperature below +4.5°C, or above +40.5°C.

This is important and will prevent serious damage to the battery pack.

- ◆ The charger and battery pack may become warm to touch while charging. This is a normal condition, and does not indicate a problem. To facilitate the cooling of the battery pack after use, avoid placing the charger or battery pack in a warm environment such as in a metal shed, or an uninsulated trailer.
- ◆ If the battery pack does not charge properly:
 - ◆ Check current at receptacle by plugging in a lamp or other appliance.
 - ◆ Check to see if receptacle is connected to a light switch which turns power off when you turn out the lights.
 - ◆ Move charger and battery pack to a location where the surrounding air temperature is approximately 18° - 24°C.
 - ◆ If charging problems persist, take the tool, battery pack, and charger to your local service centre.
- ◆ The battery pack should be recharged when it fails to produce sufficient power on jobs which were easily done previously. DO NOT CONTINUE to use under these conditions. Follow the charging procedure. You may also charge a partially used pack whenever you desire with no adverse affect on the battery pack.
- ◆ Foreign materials of a conductive nature such as, but not limited to, steel wool, aluminium foil, or any buildup of metallic particles should be kept away from charger cavities.

Always unplug the charger from the power supply when there is no battery pack in the cavity. Unplug charger before attempting to clean.
- ◆ Do not freeze or immerse charger in water or any other liquid.

Warning! Do not allow any liquid to get inside charger. Never attempt to open the battery pack for any reason. If the plastic housing of the battery pack breaks or cracks, return to a service centre for recycling.

State of charge indicator (Fig. C)

This appliance include a state of charge indicator (3) which consists of three LED lights that indicate the level of charge remaining in the battery. This feature is only activated when the vacuum is powered on and when the vacuum is on charge.

The state of charge indicator is an indication of approximate levels of charge remaining in the battery pack.

The LED battery indicator displays the remaining charge and warns you when the battery is low.

The final LED will flash continuously when there is only very little runtime remaining.

Note: The state of charge indicator is only an indication of the charge left on the battery.

It does not indicate tool functionality and is subject to variation based on product components, temperature and end-user application.

Installing and removing the battery (Fig. D)

Warning! Make certain the vac is switched off before removing or installing battery.

To install battery pack

- ◆ Insert battery pack (15) into the vac (15b) until an audible click is heard (Figure D). Make sure battery pack is fully seated and fully latched into position.

To remove battery pack

- ◆ Depress the battery release button (16) as shown in Figure D and pull battery pack out of the vac.

Assembly (Fig. E, F, G)

This vacuum can be used in one of four ways.

- ◆ With the extension tube and the floorhead as shown in figure E.
 - ◆ Align the top of the extension tube (8) with the vacuum inlet on the main unit as shown in figure E.
 - ◆ Push the extension tube (8) onto the vacuum inlet so it locks into position.
 - ◆ Align the bottom of the extension tube (8) with the floorhead (9) as shown in figure E.
 - ◆ Push the bottom of the extension tube (8) onto the floorhead (9) so it locks into position.
 - ◆ To remove the tube, press the extension pole release button (7) located on the extension tube and gently pull the connected accessor off.
- ◆ With the Main unit and floorhead as shown in figure F.
- ◆ With the extension tube and crevice tool accessory as shown in fig G(3).
- ◆ With the Main unit and crevice tool accessory as shown in fig G(4).

Warning! When not in use position the unit with the rear of the vacuum facing a wall so that any inadvertent fall of the unit would contact a wall and not people or pets.

Switching ON and OFF (Fig. H)

- ◆ To switch ON, push the on/off power button (1) once and the unit will start in floorsense mode, for just high speed mode press the button again.
- ◆ For increased power, push the On/Off button (1) a second time.
- ◆ Push the On/Off button (1) a third time to turn the unit off.

Note: The state of charge indicator LEDs (3) will illuminate while the vacuum is ON.

- ◆ Charge the battery (15) immediately after use so that it will be ready and fully charged for the next use.

Floorsense

Floorsense is active in the low speed. When a carpet is detected, the performance of the unit is automatically increased to high speed. When a hardfloor is detected, the performance of the unit reduces to low speed.

Cleaning and emptying the vacuum

Warning! Projectile/Respiratory Hazard: Never use the vac without its filter.

Warning! The filter is re-usable, do not confuse it with a disposable dust bag, and do not throw it away when the product is emptied. We recommend that you replace the filter every 6–9 months depending on frequency of use.

To empty the dust canister (Fig. I, J, K, L)

- ◆ Push down the dust canister release button (4) to release and remove the dust canister (5) from the vacuum.
- ◆ Use your index finger and thumb to pinch the filter housing tabs and pull the filter housing (6) from the dust canister as shown in figure J.
- ◆ Place the dust canister over a trash can and empty the dust canister as illustrated in figure K.
- ◆ Remove the foam filter (6a) from the filter housing (6) as illustrated in figure L.
- ◆ Shake or lightly brush any loose dust off of the foam filter housing and filter.
- ◆ Rinse out the dust canister (5) with warm soapy water.
- ◆ Wash the filters with warm soapy water.
- ◆ Ensure the filters are completely dry before refitting the filters into the filter housing.
- ◆ Refit the clean and dry foam filter (6a) into the filter housing (6).
- ◆ Install the filter housing into the dust canister (5).
- ◆ Install the dust canister onto the vacuum, until it "clicks" firmly into position.

Removing and cleaning the beater bar (Fig. M, N, O, P)

Warning! To reduce the risk of injury from moving parts, disconnect the floor head and extension tube from the vacuum before cleaning or servicing.

- ◆ To remove the beater bar (9b or 18) from the floor head (9) Slide the beater bar release button (10) to the rear of the unit.
- ◆ The beater bar (9b or 18) can now be removed and cleaned.

Safe storage (Fig. Q)

The unit can be safely stored, when not in use, by placing the catch on the rear of the Main unit onto the storage station (14) as shown in figure Q.

Warning! When not in use position the unit with the rear of the vacuum facing a wall so that any inadvertent fall of the unit would contact a wall and not people or pets.

Troubleshooting

Problem	Possible Cause	Possible Solution
Unit will not start.	Battery not installed properly. Battery not charged.	Check battery installation. Check battery charging requirements
Battery will not charge.	Battery not inserted into charger. Charger not plugged in. Surrounding air temperature too hot or too cold.	Insert battery into charger until LED appears. Plug charger into a working outlet. Refer to "Important Charging Notes" for more details. Check current at receptacle by plugging in a lamp or other appliance. Check to see if receptacle is connected to a light switch which turns power off when you turn out the lights Move charger and tool to a surrounding air temperature of above 4,5°C or below +40,5°C.

Maintenance

Your BLACK+DECKER cordless appliance has been designed to operate over a long period of time with a minimum of maintenance. Continuous satisfactory operation depends upon proper tool care and regular cleaning.

Warning! Before performing any maintenance on cordless appliances:

- ◆ Switch off unit and remove the battery .
- ◆ Unplug the charger before cleaning it. Your charger does not require any maintenance apart from regular cleaning.
- ◆ Regularly clean the ventilation slots in your appliance/ charger using a soft brush or dry cloth.
- ◆ Regularly clean the motor housing using a damp cloth. Do not use any abrasive or solvent-based cleaner.

Replacing the filters

The filters should be replaced every 6 to 9 months and whenever worn or damaged. Replacement filters are available from your BLACK+DECKER dealer.

- ◆ Remove the old filters as described above.
- ◆ Fit the new filters as described above.

Protecting the environment



Separate collection. Products and batteries marked with this symbol must not be disposed of with normal household waste.

Products and batteries contain materials that can be recovered or recycled reducing the demand for raw materials.

Please recycle electrical products and batteries according to local provisions. Further information is available at www.2helpU.com

Technical Data

	REVSV18D Type 1
Voltage	18V _{dc}
Watt Hours	36Wh (18v 2.0Ah battery pack)
Approx Charge Times	5 hours
Weight	3kg

Charger	S010**2400040/SSC-250040**	
Input Voltage	V _{ac}	100 - 240
Output Voltage	V _{dc}	8 - 20
Current	mA	400
Approx. charge time	Hours	5

Battery		BDL1518 BDL1518E	BDL2018 BDL2018E	BDL2518 BDL2518E
Voltage	V _{dc}	18	18	18
Capacity	Ah	1.5	2.0	2.5
Type		Li-Ion	Li-Ion	Li-Ion

Garantie

Black & Decker is confident of the quality of its products and offers consumers a 24 month guarantee from the date of purchase. This guarantee is in addition to and in no way prejudices your statutory rights. The guarantee is valid within the territories of the Member States of the European Union and the European Free Trade Area and the United Kingdom.

To claim on the guarantee, the claim must be in accordance with Black&Decker Terms and Conditions and you will need to submit proof of purchase to the seller or an authorised repair agent.

Terms and conditions of the Black&Decker 2 year guarantee and the location of your nearest authorised repair agent can be obtained on the Internet at www.2helpU.com, or by contacting your local Black & Decker office at the address indicated in this manual.

Please visit our website www.blackanddecker.eu to register your new Black & Decker product and receive updates on new products and special offers.

Verwendungszweck

Ihr BLACK+DECKER Akku-Staubsauger REVSV18D, REVSV18D1HF wurde zum Aufsaugen von Schmutz entwickelt. Dieses Gerät ist nicht für den gewerblichen Einsatz vorgesehen.



Lesen Sie diese Anleitung vollständig und aufmerksam durch, bevor Sie das Gerät verwenden.

Sicherheitshinweise



Warnung! Lesen Sie alle Sicherheitswarnhinweise und alle Anweisungen. Die Nichteinhaltung der folgenden Warnungen und Anweisungen kann einen elektrischen Schlag, Brand und/oder schwere Verletzungen verursachen.

- ◆ Der vorgesehene Verwendungszweck ist in dieser Anleitung beschrieben. Bei Verwendung von Zubehör oder Anbauteilen, die nicht in dieser Anleitung empfohlen werden, sowie bei der Verwendung des Geräts in Abweichung von den in dieser Anleitung beschriebenen Verfahren besteht Verletzungsgefahr.
- ◆ Bewahren Sie diese Anleitung auf.
- ◆ Dieses Gerät ist mit Akkus ausgestattet, die nur durch erfahrene Personen ausgetauscht werden dürfen.

Verwendung des Geräts

- ◆ Benutzen Sie das Gerät nicht zum Aufsaugen von Flüssigkeiten oder entzündlichen Materialien.
- ◆ Verwenden Sie das Gerät nicht, wenn der Staubbehälter bzw. die Filter nicht eingesetzt sind.

- ◆ Betreiben Sie das Gerät nicht in der Nähe von Wasser.
- ◆ Tauchen Sie das Gerät nicht in Wasser.
- ◆ Stecken Sie keine Gegenstände in die Öffnungen. Verwenden Sie das Gerät nicht, wenn Öffnungen blockiert sind; entfernen Sie Staub, Flusen, Haare und alles, was den Luftstrom behindern kann.
- ◆ Halten Sie Haare, weite Kleidung, Finger und alle Körperteile von Öffnungen und sich bewegenden Teilen fern.
- ◆ Ziehen Sie das Ladegerät nicht am Kabel aus der Netzsteckdose. Achten Sie darauf, dass das Kabel des Ladegeräts nicht in Kontakt mit starker Hitze, Öl oder scharfen Gegenständen kommt.
- ◆ Dieses Gerät darf von Kindern ab 8 Jahren und Personen mit eingeschränkten körperlichen, sensorischen oder geistigen Fähigkeiten sowie mangelnder Erfahrung und Wissen in Bezug auf dessen Gebrauch bedient werden, wenn sie bei der Verwendung des Geräts beaufsichtigt oder angeleitet werden und die möglichen Gefahren verstehen. Kinder dürfen nicht mit dem Gerät spielen. Reinigung und Wartungsarbeiten dürfen von Kindern nur unter Aufsicht durchgeführt werden.

Inspektion und Reparaturen

Prüfen Sie das Gerät vor der Verwendung auf beschädigte oder defekte Teile. Prüfen Sie, ob Teile gebrochen sind, Schalter beschädigt wurden oder andere Bedingungen vorliegen, welche die Funktion beeinträchtigen können.

- ◆ Betreiben Sie das Gerät nicht, wenn ein Teil beschädigt oder defekt ist.
- ◆ Lassen Sie beschädigte oder defekte Teile in einer Vertragswerkstatt reparieren oder austauschen.
- ◆ Überprüfen Sie das Ladegerätkabel in regelmäßigen Abständen auf Beschädigungen. Tauschen Sie das Ladegerät aus, wenn das Kabel beschädigt oder defekt ist.
- ◆ Ersetzen oder entfernen Sie keine Teile, für die in dieser Anleitung keine entsprechende Beschreibung enthalten ist.

Zusätzliche Sicherheitshinweise

Nach dem Gebrauch

- ◆ Ziehen Sie das Ladegerät aus der Netzsteckdose, bevor Sie das Ladegerät oder die Ladestation reinigen.
- ◆ Bewahren Sie das Gerät bei Nichtgebrauch an einem trockenen Ort auf.
- ◆ Das Gerät ist für Kinder unzugänglich aufzubewahren.

Restrisiken

Beim Gebrauch dieses Geräts verbleiben zusätzliche Restrisiken, die möglicherweise nicht in den Sicherheitshinweisen genannt werden. Diese Risiken bestehen beispielsweise bei Missbrauch oder längerem Gebrauch. Auch bei der Einhaltung der entsprechenden Sicherheitsvorschriften und der Verwendung aller Sicherheitsgeräte bestehen weiterhin bestimmte Restrisiken. Diese sind:

- ◆ Verletzungen, die durch das Berühren von sich drehenden/bewegenden Teilen verursacht werden.
- ◆ Verletzungen, die durch das Austauschen von Teilen, Sägeblättern oder Zubehör verursacht werden.
- ◆ Verletzungen, die durch längeren Gebrauch eines Geräts verursacht werden. Legen Sie bei längerem Gebrauch regelmäßige Pausen ein.
- ◆ Beeinträchtigung des Gehörs.
- ◆ Gesundheitsrisiken durch das Einatmen von Staub beim Verwenden des Geräts (beispielsweise bei Holzarbeiten, insbesondere Eiche, Buche und MDF.)

Akkus und Ladegeräte

Akkus (separat erhältlich)

- ◆ Aufladbare Akkus sind vor dem Laden aus dem Gerät zu entfernen.
- ◆ Die Akkus sind mit der richtigen Polarität einzusetzen.
- ◆ Entladene Akkus sind aus dem Gerät zu entfernen und sicher zu entsorgen.

- ◆ Wenn das Gerät über einen längeren Zeitraum unbenutzt gelagert werden soll, sollten die Akkus entfernt werden.
- ◆ Die Anschlusskontakte dürfen nicht kurzgeschlossen werden.
- ◆ Keinesfalls versuchen, den Akku zu öffnen.
- ◆ Achten Sie darauf, dass der Akku nicht mit Wasser in Berührung kommt.
- ◆ Setzen Sie den Akku keinen hohen Temperaturen aus.
- ◆ Nicht bei Temperaturen über 40°C lagern.
- ◆ Laden Sie den Akku nur bei Umgebungstemperaturen von 10°C bis 40°C.
- ◆ Verwenden Sie ausschließlich das mit dem Gerät gelieferte Ladegerät. Das Verwenden eines falschen Ladegeräts kann zu einem Stromschlag oder dem Überhitzen des Akkus führen.
- ◆ Beachten Sie bei der Entsorgung von Batterien und Akkus die Hinweise im Abschnitt „Umweltschutz“.
- ◆ Der Akku darf nicht durch mechanische Krafteinwirkung oder Belastungen beschädigt oder verformt werden. Andernfalls besteht Verletzungs- und Brandgefahr.
- ◆ Laden Sie beschädigte Akkus nicht auf.
- ◆ Unter extremen Bedingungen können Akkus undicht werden. Wenn Sie feststellen, dass aus dem Akku Flüssigkeit austritt, wischen Sie diese vorsichtig mit einem Tuch ab. Vermeiden Sie Hautkontakt.

- ◆ Beachten Sie nach Haut- oder Augenkontakt die folgenden Hinweise.

Warnung! Batteriesäure kann Sach- oder Personenschäden verursachen. Spülen Sie die Säure bei Hautkontakt sofort mit Wasser ab. Suchen Sie einen Arzt auf, wenn sich auf der Haut Rötungen, Reizungen oder andere Irritationen zeigen. Spülen Sie das Auge nach Augenkontakt sofort mit sauberem Wasser aus und suchen Sie einen Arzt auf.

Ladegeräte (separat erhältlich)

Das Ladegerät ist für eine bestimmte Spannung ausgelegt. Stellen Sie sicher, dass die Netzspannung der auf dem Typenschild des Geräts und in der Tabelle mit den technischen Daten angegebenen Spannung entspricht.

Warnung! Ersetzen Sie das Ladegerät keinesfalls durch ein normales Netzkabel.

- ◆ Verwenden Sie das BLACK+DECKER-Ladegerät nur für den Akku des Geräts/Werkzeugs, mit dem es geliefert wurde. Andere Akkus können platzen und Sachschäden oder Verletzungen verursachen.
- ◆ Versuchen Sie keinesfalls, nicht aufladbare Batterien zu laden.
- ◆ Bei einer Beschädigung des Netzkabels muss dieses durch den Hersteller oder eine BLACK+DECKER-Vertragswerkstatt ausgetauscht werden, um mögliche Gefahren zu vermeiden.
- ◆ Achten Sie darauf, dass das Ladegerät nicht mit Wasser in Berührung kommt.

- ◆ Versuchen Sie nicht, das Ladegerät zu öffnen.
- ◆ Nehmen Sie am Ladegerät keine Veränderungen vor.
- ◆ Beim Laden des Geräts/Akkus muss auf ausreichende Belüftung geachtet werden.

Elektrische Sicherheit

Symbole auf dem Ladegerät



Lesen Sie diese Anleitung vollständig und aufmerksam durch, bevor Sie das Gerät zum ersten Mal verwenden.



Dieses Gerät ist schutzisoliert, daher ist keine Erdleitung erforderlich. Überprüfen Sie immer, dass die Stromversorgung der Spannung auf dem Typenschild entspricht.



Die Ladestation darf nicht im Freien verwendet werden.

Warnsymbole am Gerät

Am Gerät befinden sich folgende Warnsymbole inkl. Datumscode:



Lesen Sie diese Anleitung vollständig und aufmerksam durch, bevor Sie das Gerät verwenden



Halten Sie Ihr Haar von Bürsten, Öffnungen und anderen beweglichen Teilen fern

Merkmale

Dieses Werkzeug umfasst einige oder alle der folgenden Merkmale.

1. Ein-/Aus-Schalter
2. Haupthandgriff
3. Ladestandanzeige
4. Entriegelungstaste für Staubauffangbehälter
5. Transparenter Staubbehälter
6. Zyklonfilterbaugruppe
7. Taste zum Lösen der Verlängerungsstange
8. Verlängerungsstange
9. Parkettdüse (mit integrierter Floorsense-Funktion)
- 9b. Beater-Bar
10. Schlagleistenlösetaste
11. Parkettdüsenlösetaste
12. Fugendüse
13. Ladegerät
14. Aufbewahrungstation

- 15. Akku
- 16. Akku-Löseknopf
- 17. Hauptgerät
- 18. Weiche Schlagwalze (nur REVS18D1HF)

Verwendung

Laden des Akkus (Abb. A, B)

Das Standardladegerät kann einen vollständig entladenden Akku in ca. 5 Stunden aufladen.

- ◆ Setzen Sie das Ladegerät (13) in eine geeignete Steckdose ein, bevor Sie den Akku (15) einsetzen.
- ◆ Setzen Sie den Akku (15) wie in Abbildung A gezeigt in das Ladegerät (13) ein.
- ◆ Die grüne LED (13a) blinkt, wenn der Akku geladen wird.
- ◆ Der Abschluss des Ladevorgangs wird dadurch angezeigt, dass die grüne LED (13a) dauerhaft leuchtet. Der Akku ist vollständig aufgeladen und kann jetzt verwendet oder in der Ladestation gelassen werden.

Hinweis: Laden Sie entladene Akkus so bald wie möglich nach dem Gebrauch wieder auf, da sonst die Akkulebensdauer stark verringert werden kann.

Hinweis: Sie können den Akku auch im Ladegerät belassen. In diesem Fall leuchtet die grüne LED-Anzeige dauerhaft. Das Ladegerät hält den Akku in einem vollständig geladenen Zustand.

Wichtige Hinweise zum Aufladen

- ◆ Die längste Lebensdauer und beste Leistung werden erreicht, wenn das Akkupack bei Lufttemperaturen zwischen 18° bis 24 °C geladen wird. Laden Sie das Akkupack NICHT, wenn die Lufttemperatur unter +4,5 °C oder über +40,5 °C liegt. Dies ist wichtig und verhindert schwere Schäden am Akku.
- ◆ Das Ladegerät und der Akku können sich während des Ladevorgangs warm anfühlen. Dies ist ein normaler Zustand und weist nicht auf ein Problem hin. Um das Abkühlen des Akkus nach dem Gebrauch zu erleichtern, platzieren Sie das Ladegerät und den Akku nicht in einer warmen Umgebung, wie beispielsweise in einem Metallschuppen oder einem nicht isolierten Wohnwagen.
- ◆ Wenn der Akku nicht richtig aufgeladen wird:
 - ◆ Prüfen Sie, ob die Steckdose unter Spannung steht, indem Sie eine Lampe oder ein anderes Gerät an die Steckdose anschließen.
 - ◆ Überprüfen Sie, ob die Steckdose mit einem Lichtschalter verbunden ist, der auch das Gerät ausschaltet, wenn das Licht ausgeschaltet wird.
 - ◆ Bringen Sie Ladegerät und Akku an einen Ort, wo die Umgebungstemperatur ca. 18 bis 24 °C beträgt.
 - ◆ Wenn die Ladeprobleme bestehen bleiben, bringen Sie Werkzeug, Akku und Ladegerät zu Ihrer lokalen Vertragswerkstatt.

- ◆ Der Akku sollte aufgeladen werden, wenn das Gerät nicht mehr die volle Leistung bringt. Betreiben Sie das Werkzeug in diesem Fall NICHT WEITER. Befolgen Sie die Anweisungen bezüglich des Aufladens. Sie können auch jederzeit einen teilweise entleerten Akku aufladen, ohne dass dies nachteilige Auswirkungen auf den Akku hat.
- ◆ Leitfähige Fremdmaterialien, z.B. unter anderem Stahlwolle, Alufolie oder angesammelte Metallpartikel, sollten von Hohlräumen des Ladegeräts ferngehalten werden. Ziehen Sie den Netzstecker des Ladegerätes immer aus der Steckdose, wenn kein Akku in der Vertiefung steckt. Ziehen Sie den Netzstecker des Ladegerätes vor dem Reinigen aus der Steckdose.
- ◆ Gerät keinem Spritzwasser aussetzen oder in Wasser oder andere Flüssigkeiten tauchen.

Warnung! Keine Flüssigkeiten in das Ladegerät gelangen lassen. Keinesfalls versuchen, den Akku zu öffnen. Wenn das Kunststoffgehäuse des Akkus Brüche oder Risse aufweist, bringen Sie es zum Recycling zu einer Vertragswerkstatt.

Ladestandsanzeige (Abb. C)

Dieses Gerät besitzt eine Ladestandsanzeige (3) mit drei LEDs, die den verbleibenden Ladestand des Akkus anzeigen. Diese Funktion ist nur aktiv, wenn der Staubsauger eingeschaltet und ausreichend aufgeladen ist. Die Ladestandsanzeige zeigt wie an, wie weit der Akku ungefähr aufgeladen ist.

Die LED-Akkuanzeige zeigt den restlichen Ladestand an und gibt eine Warnung aus, wenn der Akkustand niedrig ist. Die letzte LED blinkt dauerhaft, wenn nur noch sehr wenig Laufzeit übrig ist.

Hinweis: Die Ladestandsanzeige ist nur eine Angabe des verbleibenden Akku-Ladestands.

Sie zeigt nicht die Funktionsfähigkeit des Werkzeugs an und unterliegt Unterschieden, die auf Bauteilen, Temperatur und Anwendungsart des Endbenutzers basieren.

Einlegen und Entnehmen des Akkus (Abb. D)

Warnung! Stellen Sie sicher, dass der Staubsauger ausgeschaltet ist, bevor Sie den Akku entnehmen oder anbringen.

Anbringen des Akkus

- ◆ Setzen Sie den Akku (15) in den Staubsauger (15b) ein, bis ein Klicken zu hören ist (Abbildung D). Stellen Sie sicher, dass der Akku vollständig sitzt und in Position eingerastet ist.

Entnehmen des Akkus

- ◆ Drücken Sie den Akku-Löseknopf (16) wie in Abbildung D gezeigt und ziehen Sie den Akku aus dem Staubsauger.

Montage (Abb. E, F, G)

Dieser Staubsauger kann auf eine von vier Arten verwendet werden.

- ◆ Richten Sie das Verlängerungsrohr an der Parkettdüse aus, wie in Abbildung D dargestellt.
 - ◆ Richten Sie das obere Ende des Verlängerungsrohrs (8) am Saugeinlass des Hauptgeräts aus, wie in Abbildung E dargestellt.
 - ◆ Schieben Sie das Verlängerungsrohr (8) auf den Saugeinlass, bis es einrastet.
 - ◆ Richten Sie das untere Ende des Verlängerungsrohrs (8) an der Parkettdüse (9) aus, wie in Abbildung E dargestellt.
 - ◆ Schieben Sie das untere Ende des Verlängerungsrohrs (8) auf die Parkettdüse (9), bis es einrastet.
 - ◆ Zum Entfernen des Rohrs drücken Sie die Taste zum Lösen der Verlängerungsstange (7), die sich am Verlängerungsrohr befindet, und ziehen Sie das angeschlossene Zubehör vorsichtig ab.
- ◆ Richten Sie das Hauptgerät und die Parkettdüse aus, wie in Abb. F dargestellt.
- ◆ Richten Sie das Verlängerungsrohr und die Fugendüse aus, wie in Abb. G(3) dargestellt.
- ◆ Richten Sie das Hauptgerät und die Fugendüse aus, wie in Abb. G(4) dargestellt.

Warnung! Bewahren Sie den Staubsauger bei Nichtgebrauch so auf, dass die Rückseite zu einer Wand zeigt, damit er nicht versehentlich umfallen und andere Gegenstände, Personen oder Haustiere treffen kann.

Ein- und Ausschalten (Abb. H)

- ◆ Drücken Sie zum Einschalten einmal den Ein-/Aus-Schalter (1), woraufhin das Gerät im Floorsense-Betrieb startet. Für den normalen Hochgeschwindigkeitsbetrieb drücken Sie den Schalter erneut.
- ◆ Für stärkere Leistung drücken Sie den Ein-/Aus-Schalter (1) ein zweites Mal.
- ◆ Drücken Sie den Ein-/Aus-Schalter (1) ein drittes Mal, um das Gerät auszuschalten.

Hinweis: Die LEDs (3) der Ladezustandsanzeige leuchten auf, wenn der Staubsauger eingeschaltet ist.

- ◆ Laden Sie den Akku (15) sofort nach Gebrauch wieder auf, damit es für die nächste Verwendung bereit und vollständig aufgeladen ist.

Floorsense

Bei niedriger Geschwindigkeit ist die Floorsense-Funktion aktiv. Wenn ein Teppich erkannt wird, steigt die Leistung des Geräts automatisch auf Hochgeschwindigkeit. Wenn ein Hartboden erkannt wird, sinkt die Leistung des Geräts auf niedrige Geschwindigkeit.

Reinigung und Entleerung des Staubsaugers

Warnung! Gefahr für die Atemwege durch weggeschleuderte

Teile: Betreiben Sie den Staubsauger nie ohne Filter.

Warnung! Der Filter ist wiederverwendbar; verwechseln Sie ihn nicht mit Einweg-Staubbeuteln und werfen Sie ihn nicht weg, wenn das Gerät geleert wird. Wir empfehlen, dass Sie den Filter je nach Nutzungshäufigkeit alle 6 bis 9 Monate wechseln.

Leeren des Staubfangbehälters (Abb. I, J, K, L)

- ◆ Drücken Sie die Taste zum Lösen des Staubauffangbehälters (4), um den Behälter (5) vom Staubsauger zu lösen, und nehmen Sie ihn dann ganz ab.
- ◆ Greifen Sie mit Zeigefinger und Daumen die Laschen des Filtergehäuses und ziehen Sie das Filtergehäuse (6) aus dem Staubauffangbehälter, wie in Abb. J dargestellt.
- ◆ Halten Sie den Staubauffangbehälter über eine Mülltonne und entleeren Sie ihn wie in Abb. K dargestellt.
- ◆ Nehmen Sie den Schaumstofffilter (6a) aus dem Filtergehäuse (6) wie in Abb. L dargestellt heraus.
- ◆ Loser Staub kann durch Schütteln oder vorsichtiges Abbürsten von dem Schaumstofffiltergehäuse und dem Filter entfernt werden.
- ◆ Spülen Sie den Staubauffangbehälter (5) mit warmem Seifenwasser aus.
- ◆ Spülen Sie die Filter mit warmer Seifenlauge aus.
- ◆ Achten Sie darauf, dass die Filter vollständig getrocknet sind, bevor Sie sie wieder in das Filtergehäuse einsetzen.
- ◆ Bringen Sie den sauberen und trockenen Schaumstofffilter (6a) wieder im Filtergehäuse (6) an.
- ◆ Setzen Sie das Filtergehäuse in den Staubauffangbehälter (5) ein.
- ◆ Setzen Sie den Staubauffangbehälter so auf den Staubsauger, dass er fest einrastet.

Entfernen und Reinigen der Schlagleiste (Abb. M, N, O, P)

Warnung! Um die Verletzungsgefahr durch bewegliche Teile zu verringern, trennen Sie die Parkettdüse und das Verlängerungsrohr vom Staubsauger, bevor Sie ihn reinigen oder warten.

- ◆ Zum Entfernen der Schlagleiste (9b oder 18) von der Parkettdüse (9) schieben Sie die Schlagleistenlösetaste (10) in Richtung Rückseite des Geräts.
- ◆ Die Schlagleiste (9b oder 18) kann nun herausgenommen und gereinigt werden.

Sichere Aufbewahrung (Abb. Q)

Das Gerät kann bei Nichtgebrauch sicher aufbewahrt werden, indem der Riegel an der Rückseite des Hauptgeräts an der Aufbewahrungstation (14) angebracht wird, wie in Abbildung Q gezeigt.

Warnung! Bewahren Sie den Staubsauger bei Nichtgebrauch so auf, dass die Rückseite zu einer Wand zeigt, damit er nicht versehentlich umfallen und andere Gegenstände, Personen oder Haustiere treffen kann.

Fehlerbehebung

Problem	Mögliche Ursache	Mögliche Lösung
Gerät startet nicht.	Akku wurde nicht ordnungsgemäß angebracht. Der Akku ist nicht geladen.	Prüfen Sie, ob der Akku richtig angebracht wurde. Prüfen Sie die erforderliche Ladekapazität
Akku lädt nicht.	Akku befindet sich nicht im Ladegerät. Das Ladegerät ist nicht mit dem Stromnetz verbunden. Umgebungstemperatur zu hoch oder zu niedrig.	Akku so in das Ladegerät einsetzen, dass die LED leuchtet. Stecken Sie den Stecker des Ladegeräts in eine aktive Steckdose. Weitere Details finden Sie unter „Wichtige Hinweise zum Aufladen“. Prüfen Sie, ob die Steckdose unter Spannung steht, indem Sie eine Lampe oder ein anderes Gerät an die Steckdose anschließen. Überprüfen Sie, ob die Steckdose mit einem Lichtschalter verbunden ist, der auch das Gerät ausschaltet, wenn das Licht ausgeschaltet wird. Bringen Sie Ladegerät und Gerät an einen Ort, wo die Umgebungstemperatur zwischen 4,5°C und +40,5°C liegt.

Wartung

Ihr BLACK+DECKER-Gerät ohne Netzkabel wurde im Hinblick auf eine lange Lebensdauer und einen möglichst geringen Wartungsaufwand entwickelt. Ein kontinuierlicher, zufriedenstellender Betrieb hängt von der richtigen Pflege des Gerätes und seiner regelmäßigen Reinigung ab.

Warnung! Vor dem Ausführen jeglicher Wartungsarbeiten an Geräten ohne Netzkabel:

- ◆ Schalten Sie das Gerät aus und entfernen Sie den Akku.
- ◆ Ziehen Sie das Ladegerät aus der Netzsteckdose, bevor Sie es reinigen. Das Ladegerät benötigt keine Wartung, es sollte jedoch regelmäßig gereinigt werden.
- ◆ Reinigen Sie regelmäßig die Lüftungsschlitze des Geräts und des Ladegeräts mit einer weichen Bürste oder einem trockenen Tuch.
- ◆ Reinigen Sie das Motorgehäuse regelmäßig mit einem feuchten Tuch. Verwenden Sie keine scheuernden Reinigungsmittel oder Reinigungsmittel auf Lösungsmittelbasis.

Ersetzen der Filter

Die Filter sollten alle 6 bis 9 Monate ersetzt werden, bei sichtbaren Verschleißspuren oder Beschädigungen auch früher. Ersatzfilter erhalten Sie im BLACK+DECKER-Fachhandel.

- ◆ Entfernen Sie die verbrauchten Filter, wie oben beschrieben.
- ◆ Bringen Sie die neuen Filter an, wie oben beschrieben.

Umweltschutz



Abfalltrennung. Produkte und Akkus mit diesem Symbol dürfen nicht mit dem normalen Hausmüll entsorgt werden.

Produkte und Akkus enthalten Materialien, die wiederverwertet werden können, um den Bedarf an Rohstoffen zu verringern. Bitte recyceln Sie Elektroprodukte und Akkus gemäß den lokalen Bestimmungen. Weitere Informationen finden Sie auf www.2helpU.com

Technische Daten

	REVS18D Typ 1
Spannung	18V _{dc}
Wattstunden	36Wh (18V 2,0-Ah-Akku)
Ungefähre Ladezeit	5 Stunden
Gewicht	3 kg

Ladegerät		S010**2400040/SSC-250040**
Eingangsspannung	V _{AC}	100 - 240
Ausgangsspannung	V _{dc}	8 - 20
Stromstärke	mA	400
Ungefähre Ladezeit	Stunden	5

Akku		BDL1518 BDL1518E	BDL2018 BDL2018E	BDL2518 BDL2518E
Spannung	V _{dc}	18	18	18
Kapazität	Ah	1,5	2,0	2,5
Typ		Li-Ionen	Li-Ionen	Li-Ionen

Garantie

Black&Decker vertraut auf die Qualität der eigenen Geräte und bietet dem Käufer eine außergewöhnliche Garantie von 24 Monaten ab Kaufdatum. Diese Garantie versteht sich unbeschadet der gesetzlichen Gewährleistungsansprüche und schränkt diese keinesfalls ein. Diese Garantie gilt innerhalb der Staatsgebiete der Mitgliedstaaten der Europäischen Union und der Europäischen Freihandelszone und des Vereinigten Königreichs.

Zur Inanspruchnahme dieser Garantie muss sie den allgemeinen Geschäftsbedingungen von Black&Decker entsprechen und dem Verkäufer bzw. der Vertragswerkstatt ist ein Kaufnachweis vorzulegen.

Die Geschäftsbedingungen der 2-jährigen der Black&Decker Garantie sowie den Ort der nächsten zugelassenen Reparaturwerkstatt in Ihrer Nähe erhalten Sie im Internet unter www.2helpU.com oder in dem Sie Kontakt mit dem Black & Decker Büro unter der in diesem Handbuch angegebenen Adresse aufnehmen. Bitte besuchen Sie unsere Website unter www.blackanddecker.eu, um Ihr neues Black & Decker Produkt zu registrieren und um Updates zu neuen Produkten und Sonderangeboten zu erhalten.

Utilisation prévue Votre aspirateur sans fil BLACK+DECKER REVSV18D, REVSV18D1HF a été conçu pour le nettoyage par aspiration. Cet appareil est exclusivement destiné à un usage domestique.



Veillez à attentivement lire l'intégralité de ce manuel avant d'utiliser l'appareil.

Consignes de sécurité



Avertissement ! Veillez à lire tous les avertissements sur la sécurité et toutes les instructions.

Le non-respect des avertissements et des instructions listés ci-dessous peut occasionner des décharges électriques, des incendies et/ou de graves blessures.

- ◆ L'utilisation prévue est décrite dans la présente notice. L'utilisation d'un accessoire ou d'un équipement autre que ceux recommandés dans cette notice et l'utilisation de cet appareil à d'autres fins que celles recommandées dans cette notice peuvent entraîner un risque de blessures.
- ◆ Conservez cette notice pour pouvoir vous y référer dans le futur.
- ◆ Cet appareil contient des batteries qui ne peuvent être remplacées que par des personnes qualifiées.

Utiliser votre appareil

- ◆ N'utilisez pas l'appareil pour aspirer des liquides ou toute autre matière susceptible de prendre feu.
- ◆ N'utilisez pas l'appareil sans que le bac à poussière et/ou les filtres ne soient en place.

- ◆ N'utilisez pas l'appareil près d'une source d'eau.
- ◆ Ne plongez pas l'appareil dans l'eau.
- ◆ Ne placez aucun objet dans les ouvertures. N'utilisez pas l'appareil si l'une de ses ouvertures est bouchée ; gardez-les exemptes de poussière, peluches, poils et de tout ce qui pourrait réduire la circulation de l'air.
- ◆ Gardez vos cheveux, vos vêtements amples, vos doigts ainsi que toutes les autres parties de votre corps loin des ouvertures et des pièces mobiles.
- ◆ Ne tirez jamais sur le fil du chargeur pour le débrancher. Gardez le fil du chargeur à l'écart de toute source de chaleur, zone grasse et bord tranchant.
- ◆ Cet appareil peut être utilisé par des enfants âgés de 8 ans ou plus et par des personnes aux capacités physiques, sensorielles ou mentales réduites ou qui manquent d'expérience ou de connaissance, à condition qu'ils soient supervisés ou qu'ils aient été formés sur la façon sûre d'utiliser l'appareil et qu'ils comprennent les risques encourus. Ne laissez pas les enfants jouer avec l'appareil. Le nettoyage et la maintenance à réaliser par l'utilisateur ne doivent pas être entrepris par des enfants sans surveillance.

Inspections et réparations

Avant utilisation, contrôlez l'absence de dommage sur l'appareil ou ses pièces.

Contrôlez l'absence de pièces cassées, d'interrupteurs endommagés et de toutes autres anomalies susceptibles de nuire au bon fonctionnement de l'appareil.

- ◆ N'utilisez pas l'appareil si une quelconque pièce est endommagée ou défectueuse.
- ◆ Faites réparer ou remplacer les pièces défectueuses ou endommagées par un réparateur agréé.
- ◆ Vérifiez régulièrement l'absence de dommage sur le fil du chargeur. Remplacez le chargeur si son fil est endommagé ou défectueux.
- ◆ Ne tentez jamais de retirer ou de remplacer des pièces autres que celles citées dans ce manuel.

Consignes de sécurité supplémentaires

Après l'utilisation

- ◆ Débranchez le chargeur avant de nettoyer le chargeur ou la station de charge.
- ◆ Lorsqu'il n'est pas utilisé, rangez l'appareil dans un endroit sec.
- ◆ Les enfants ne doivent pas avoir accès aux appareils une fois qu'ils sont rangés.

Risques résiduels

Certains risques résiduels autres que ceux mentionnés dans les avertissements sur la sécurité peuvent survenir en utilisant l'outil.

Ces risques peuvent être dus à une utilisation incorrecte, une utilisation prolongée, etc.

Malgré le respect de toutes les réglementations pertinentes sur la sécurité et la mise en œuvre de dispositifs de sécurité, certains risques résiduels ne peuvent pas être évités. Ils comprennent :

- ◆ Les blessures dues au contact avec des pièces rotatives/mobiles.
- ◆ Les blessures dues au remplacement de pièces, de lames ou d'accessoires.
- ◆ Les blessures dues à l'utilisation prolongée d'un outil. Lorsque vous utilisez un outil quel qu'il soit pendant de longues périodes, veillez à faire des pauses régulières.
- ◆ Les troubles de l'ouïe.
- ◆ Les risques pour la santé provoqués par l'inhalation des poussières générées pendant l'utilisation de votre outil (exemple : travail avec du bois, surtout le chêne, le hêtre et les panneaux en MDF).

Batteries et chargeurs

Batteries (peuvent être vendues séparément)

- ◆ Les batteries rechargeables doivent être retirées de l'appareil avant d'être rechargées.
- ◆ Les batteries doivent être installées en respectant la polarité.
- ◆ Les batteries usagées doivent être retirées de l'appareil et jetées de façon sûre.
- ◆ Retirez les batteries si l'appareil doit rester longtemps sans être utilisé.
- ◆ Les bornes d'alimentation ne doivent pas être mises en court-circuit.

- ◆ Ne tentez de les ouvrir sous aucun prétexte.
- ◆ N'exposez pas la batterie à l'eau.
- ◆ N'exposez pas la batterie à la chaleur.
- ◆ Ne stockez pas la batterie dans des endroits où la température peut dépasser 40°C.
- ◆ Ne les rechargez qu'à une température ambiante comprise entre 10°C et 40°C.
- ◆ Ne procédez à la charge qu'avec le chargeur fourni avec l'appareil/outil. L'utilisation d'un chargeur inadapté peut conduire à une décharge électrique ou à la surchauffe de la batterie.
- ◆ Au moment de jeter les batteries, respectez les instructions mentionnées dans la section "Protection de l'environnement".
- ◆ Ne déformez/n'endommagez pas le bloc-batterie en le perçant ou en le cognant car cela pourrait entraîner des blessures et un incendie.
- ◆ Ne rechargez pas des batteries endommagées.
- ◆ Dans des conditions extrêmes, la batterie peut fuir. Si vous détectez une fuite, utilisez un chiffon pour essuyer le liquide avec précaution. Évitez tout contact avec la peau.
- ◆ En cas de contact avec la peau ou les yeux, respectez les consignes mentionné ci-dessous.

Avvertissement ! Le liquide de la batterie peut provoquer des blessures ou des dégâts matériels.

En cas de contact avec la peau, rincez immédiatement à l'eau. Si des rougeurs, une douleur ou une irritation se produisent, consultez un médecin. En cas de contact avec les yeux, rincez immédiatement à l'eau et consultez un médecin.

Chargeurs (peuvent être vendus séparément)

Votre chargeur a été conçu pour une tension spécifique. Vérifiez toujours que la tension du réseau électrique correspond à celle de la plaque signalétique et des informations du tableau de données techniques.

Avvertissement ! N'essayez jamais de remplacer le module de charge par une prise de courant ordinaire.

- ◆ N'utilisez votre chargeur BLACK+DECKER que pour recharger la batterie de l'appareil/outil avec lequel il a été livré. Les autres batteries pourraient exploser et entraîner des blessures et des dommages.
- ◆ Ne tentez jamais de recharger des piles non rechargeables.
- ◆ Si le câble d'alimentation est endommagé, il doit être remplacé par le fabricant ou par un centre d'assistance agréé BLACK+DECKER afin d'éviter tout accident.
- ◆ N'exposez pas le chargeur à l'eau.
- ◆ N'ouvrez pas le chargeur.
- ◆ Ne sondez pas le chargeur.
- ◆ Pendant la charge, l'appareil/l'outil/la batterie doivent être placés dans un endroit bien aéré.

Sécurité électrique

Symboles sur le chargeur



Veillez à attentivement lire l'intégralité de cette notice avant d'utiliser l'appareil.



Cet outil est doublement isolé et il ne nécessite donc aucune liaison à la terre. Assurez-vous toujours que l'alimentation électrique correspond à la tension mentionnée sur la plaque signalétique.



La station de charge ne peut être utilisée qu'à l'intérieur.

Étiquettes apposées sur l'appareil

Les symboles qui suivent figurent sur l'appareil avec le code date



Veillez à attentivement lire l'intégralité de ce cette notice avant d'utiliser l'appareil



Éloignez les poils/cheveux des brosses, des ouvertures et des autres pièces mobiles

Caractéristiques

Cet outil dispose de tout ou partie des éléments suivants.

1. Bouton Marche/Arrêt
2. Poignée principale
3. Témoin du niveau de charge
4. Bouton de libération du bac à poussière
5. Bac à poussière transparent
6. Ensemble Filtre cyclone
7. Bouton de libération du tube-rallonge
8. Tube-rallonge
9. Brosse pour plancher (avec capteur intégré)
- 9b. Barre de batteur
10. Bouton de libération de la brosse batteuse
11. Bouton de libération de la brosse pour plancher
12. Suceur plat
13. Chargeur
14. Station de rangement
15. Bloc-batterie
16. Bouton de libération du bloc-batterie
17. Corps de l'appareil
18. Barre de batteur à rouleaux souples (REVS18D1HF uniquement)

Utilisation

Recharger la batterie (Fig. A, B)

Le chargeur standard fourni permet de recharger une batterie complètement vide en 5 heures environ

- ◆ Branchez le chargeur (13) dans une prise appropriée avant d'insérer le bloc-batterie (15).

- ◆ Insérez le bloc-batterie (15) dans le chargeur (13) comme illustré par la figure A.
- ◆ Le voyant vert (13a) clignote pour indiquer que la batterie est en charge.
- ◆ La fin de la charge est indiquée par le voyant vert (13a) restant allumé en continu. Le bloc est alors complètement rechargé et il peut soit être utilisé, soit être laissé branché au chargeur.

Remarque : Rechargez les batteries déchargées dès que possible après utilisation pour ne pas grandement diminuer leur durée de vie.

Remarque : Le chargeur et le bloc-batterie peuvent rester raccordés avec le voyant vert allumé en continu.

Le chargeur maintient le bloc-batterie complètement chargé.

Remarques importantes liées à la charge

- ◆ Une durée de vie prolongée et de meilleures performances peuvent être obtenues si le bloc-batterie est rechargé à une température ambiante comprise entre 18° et 24°C. NE rechargez PAS le bloc-batterie si la température ambiante est inférieure à +4,5°C ou supérieure à +40,5°C. Cette consigne est importante et elle permet d'éviter le grave endommagement du bloc-batterie.
- ◆ Le chargeur et le bloc-batterie peuvent devenir chauds au toucher pendant la charge. C'est normal et cela n'indique pas un problème. Afin de faciliter le refroidissement du bloc-batterie après l'utilisation, évitez de placer le chargeur ou le bloc-batterie dans un environnement chaud comme une remise métallique ou une remorque non isolée.
- ◆ Si le bloc-batterie ne se recharge pas correctement :
 - ◆ Vérifiez la présence de courant en branchant une lampe ou un autre appareil dans la prise murale.
 - ◆ Vérifiez que la prise murale n'est pas reliée à un interrupteur coupant l'alimentation lorsqu'on éteint l'éclairage.
 - ◆ Déplacez le chargeur et le bloc-batterie dans un endroit où la température ambiante est comprise entre 18° et 24°C environ.
 - ◆ Si les problèmes de charge persistent, apportez l'outil, le bloc-batterie et le chargeur à votre centre d'assistance local.
- ◆ Le bloc-batterie doit être rechargé lorsqu'il ne parvient plus à fournir la puissance nécessaire aux opérations qui étaient facilement réalisées auparavant. Cessez D'UTILISER l'outil dans ces conditions. Respectez la procédure de charge. Vous pouvez également charger un bloc déjà utilisé si vous le souhaitez, sans que cela n'affecte le bloc-batterie.
- ◆ Les corps étrangers de nature conductrice tels que, notamment, la laine d'acier, le papier aluminium ou toute accumulation de particules métalliques, doivent être tenus éloignés des cavités du chargeur.

Débranchez toujours le chargeur de l'alimentation électrique lorsque qu'aucun bloc-batterie n'y est installé. Débranchez le chargeur avant de le nettoyer.

- ◆ Ne congélez pas le chargeur et ne l'immergez pas dans de l'eau ou dans tout autre liquide.

Avertissement ! Ne laissez aucuns liquides pénétrer à l'intérieur du chargeur. Ne tentez jamais d'ouvrir le bloc-batterie pour quelque raison que ce soit. Si le corps en plastique du bloc-batterie se casse ou se fissure, retournez-le dans un centre d'assistance pour qu'il soit recyclé.

Témoin du niveau de charge (Fig. C)

Cet appareil intègre un témoin de charge (3) qui est composé de trois LED qui indiquent le niveau de charge restant dans la batterie. Cette fonction n'est active que quand l'aspirateur est allumé et quand il est en charge.

Le témoin du niveau de charge sert d'indicateur approximatif du niveau de charge approximatif restant dans le bloc-batterie. Le témoin de niveau de charge affiche la charge restante et vous avertir quand la batterie est presque vide.

La dernière LED clignote en continu quand l'autonomie restante est très faible.

Remarque : Le témoin du niveau de charge ne donne qu'une indication de la charge restant dans la batterie. Elle n'indique pas la fonctionnalité de l'outil et peut être sujette à des variations en fonction des composants du produit, de la température et de l'utilisation faite par l'utilisateur final.

Installer et retirer la batterie (Fig. D)

Avertissement ! Assurez-vous que l'aspirateur est éteint avant de retirer ou d'installer la batterie.

Pour installer le bloc-batterie

- ◆ Insérez le bloc-batterie (15) dans l'aspirateur (15b) jusqu'à entendre un clic (figure D). Assurez-vous que le bloc-batterie est bien en place et correctement verrouillé.

Pour retirer le bloc-batterie

- ◆ Appuyez sur le bouton de libération de la batterie (16) comme illustré par la figure D et tirez sur le bloc-batterie pour le sortir de l'aspirateur.

Assembler l'appareil (Fig. E, F, G)

Cet aspirateur peut être utilisé de quatre façons différentes.

- ◆ Avec tube-rallonge et la brosse pour plancher, comme illustré par la figure E.
 - ◆ Alignez le haut du tube-rallonge (8) avec le raccord d'aspiration sur l'appareil principal, comme illustré par la figure e.
 - ◆ Poussez le tube-rallonge (8) dans le raccord d'aspiration de l'aspirateur pour qu'il se verrouille en place.
 - ◆ Alignez le bas du tube-rallonge (8) avec la brosse pour plancher (9), comme illustré par la figure E.
 - ◆ Poussez le bas du tube-rallonge (8) dans la tête de la brosse pour sol (9) pour qu'il se verrouille en place.

- ◆ Pour retirer le tube, appuyez sur le bouton de libération du tube-rallonge (7) situé sur le tube-rallonge et tirez doucement sur l'accessoire pour le sortir.
- ◆ Avec l'appareil principal et la brosse pour plancher, comme illustré par la figure F.
- ◆ Avec tube-rallonge et le suceur plat, comme illustré par la figure G(3).
- ◆ Avec l'appareil principal et le suceur plat, comme illustré par la figure G(4).

Avertissement ! Lorsque vous ne vous en servez pas, placez l'appareil, partie arrière face au mur, pour qu'en cas de chute accidentelle l'appareil heurte le mur et non des personnes ou des animaux.

Mettre en marche et éteindre l'appareil (Fig. H)

- ◆ u Pour allumer l'appareil, appuyez une fois sur le bouton Marche/Arrêt (1) pour que l'appareil démarre en mode Floorsense et pour le mode Vitesse rapide appuyez de nouveau sur le bouton.
- ◆ Pour augmenter la puissance, appuyez une seconde fois sur le bouton Marche/Arrêt (1).
- ◆ Appuyez une troisième fois sur le bouton Marche/Arrêt (1) pour éteindre l'appareil.

Remarque : Les LED témoins du niveau de charge (3) s'allument lorsque l'aspirateur est en marche.

- ◆ Rechargez la batterie (15) immédiatement après l'avoir utilisée, de sorte qu'elle soit à nouveau prête et parfaitement rechargée pour la prochaine fois.

Capteur de sol

Le capteur de sol est actif à la vitesse la plus basse. Lorsque de la moquette ou un tapis sont détectés, l'appareil passe automatiquement à une vitesse supérieure. Si c'est un sol dur qui est détecté, la vitesse de l'appareil est automatiquement diminuée.

Nettoyer et vider l'aspirateur

Avertissement ! Risque de projection/Risque respiratoire : N'utilisez jamais l'aspirateur sans son filtre.

Avertissement ! Le filtre est réutilisable, ne le confondez pas avec un sac à poussière jetable et ne le jetez pas en vidant l'appareil.

Nous vous recommandons de remplacer le filtre tous les 6 à 9 mois en fonction de la fréquence d'utilisation.

Pour vider le bac à poussière (Fig. I, J, K, L)

- ◆ Enfoncez le bouton de libération du bac à poussière (4) pour le libérer le bac à poussière (5) et pouvoir le retirer de l'aspirateur.
- ◆ Utilisez votre index et votre pouce pour pincer les pattes du porte-filtre et tirez le porte-filtre (6) hors du bac à poussière, comme illustré par la figure J.
- ◆ Placez le bac à poussière au-dessus d'une poubelle et videz-le, comme illustré par figure K.

- ◆ Retirez le filtre en mousse (6a) du porte-filtre (6), comme illustré par la figure L.
- ◆ Secouez ou brossez légèrement toute la poussière du porte-filtre et du filtre en mousse.
- ◆ Rincez le bac à poussière (5) avec de l'eau tiède savonneuse.
- ◆ Lavez les filtres à l'eau chaude savonneuse.
- ◆ Veillez à ce que les filtres soient parfaitement secs avant de les réinstaller dans le porte-filtre.
- ◆ Réinstallez le filtre en mousse (6a), propre et sec, dans le porte-filtre (6).
- ◆ Installez le porte-filtre dans le bac à poussière (5).
- ◆ Installez le bac à poussière sur l'aspirateur en le clipsant à sa place.

Retirer et nettoyer la brosse batteuse (Fig. M, N, O, P)

Avertissement ! Afin de réduire le risque de blessures avec les pièces mobiles, retirez la tête de la brosse pour le sol le tube-rallonge de l'aspirateur avant le nettoyage et l'entretien.

- ◆ Pour retirer la brosse rotative (9b ou 18) de la tête d'aspiration pour les sols (9), glissez le bouton de libération de la barre de battage (10) vers l'arrière de l'appareil.
- ◆ La brosse rotative (9b ou 18) peut alors être retirée et nettoyée.

Rangement sécurisé (Fig. Q)

Lorsque vous ne l'utilisez pas, vous pouvez ranger l'appareil en toute sécurité en fixant l'attache à l'arrière de l'appareil principal sur la station de rangement (14), comme illustré par la figure Q.

Avertissement ! Lorsque vous ne vous en servez pas, placez l'appareil, partie arrière face au mur, pour qu'en cas de chute accidentelle l'appareil heurte le mur et non des personnes ou des animaux.

Dépannage

Problème	Cause possible	Solution possible
La machine ne démarre pas.	Le bloc-batterie n'est pas bien installé. Batterie déchargée.	Contrôlez la bonne installation de la batterie. Vérifiez si bloc-batterie a besoin d'être rechargé

Problème	Cause possible	Solution possible
Le bloc-batterie ne se recharge pas.	La batterie n'est pas correctement insérée dans le chargeur. Le chargeur n'est pas branché. La température ambiante est trop chaude ou trop froide.	Insérez la batterie dans le chargeur jusqu'à ce que le voyant s'allume. Branchez le chargeur dans une prise murale qui fonctionne. Consultez la section "Remarques importantes sur la charge" pour obtenir plus de précisions. Vérifiez la présence de courant en branchant une lampe ou un autre appareil dans la prise murale. Vérifiez que la prise murale n'est pas reliée à un interrupteur coupant l'alimentation lorsqu'on éteint l'éclairage. Déplacez le chargeur et l'outil dans un endroit dont la température ambiante est supérieure à 4,5°C ou inférieure à +40,5°C.

Maintenance

Votre appareil sans fil BLACK+DECKER a été conçu pour fonctionner longtemps avec un minimum de maintenance. Le fonctionnement continu et satisfaisant dépend de son bon entretien et de son nettoyage régulier.

Avertissement ! Avant toute intervention de maintenance sur les appareils sans fil :

- ◆ Éteignez l'appareil et retirez la batterie.
- ◆ Débranchez le chargeur de le nettoyer. Votre chargeur ne nécessite aucun entretien particulier, à l'exception d'un nettoyage régulier.
- ◆ Nettoyez régulièrement les grilles d'aération de votre appareil/chargeur à l'aide d'une brosse souple ou d'un chiffon sec.
- ◆ Nettoyez régulièrement le bloc-moteur à l'aide d'un chiffon humide. N'utilisez pas de détergents abrasifs ou à base de solvants.

Remplacer les filtres

Les filtres doivent être remplacés tous les 6 à 9 mois et chaque fois qu'ils sont usés ou endommagés. Des filtres de rechange sont disponibles auprès de votre revendeur BLACK+DECKER.

- ◆ Retirez les filtres usagés de la façon décrite plus haut.
- ◆ Installez les filtres neufs de la façon décrite plus haut.

Protection de l'environnement



Tri sélectif. Les produits et piles/batteries marqués de ce symbole ne doivent pas être jetés avec les déchets ménagers.

Les produits et les piles/batteries contiennent des matières qui peuvent être récupérées et recyclées afin de réduire la demande en matières premières.

Veillez à recycler les produits électriques et les piles/batteries conformément aux prescriptions locales en vigueur. Plus d'informations sont disponibles sur le site

www.2helpU.com

Caractéristiques techniques

REVSU18D Type 1	
Tension	18V _{cc}
Watt-heures	36Wh (bloc-batterie 2.0Ah 18v)
Durée approximative de la charge	5 heures
Poids	3kg

Chargeur		S010**2400040/SSC-250040**
Tension d'entrée	V _{ca}	100 - 240
Tension de sortie	V _{cc}	8 - 20
Courant	mA	400
Durée de charge approx.	Heures	5

Batterie		BDL1518 BDL1518E	BDL2018 BDL2018E	BDL2518 BDL2518E
Tension	V _{cc}	18	18	18
Capacité	Ah	1,5	2,0	2,5
Type		Li-Ion	Li-Ion	Li-Ion

Garantie

Black & Decker est sûr de la qualité de ses produits et offre une garantie de 24 mois à ses clients, à partir de la date d'achat. Cette garantie s'ajoute à vos droits légaux auxquels elle ne porte aucunement préjudice. Cette garantie est valable au sein des territoires des états membres de l'Union européenne, de la zone européenne de libre-échange et du Royaume-Uni.

Pour prétendre à la garantie, la réclamation doit être conforme aux conditions générales de Black & Decker et vous devez fournir une preuve d'achat au vendeur ou au réparateur agréé. Les conditions générales de la garantie de 2 ans Black&Decker ainsi que l'adresse du réparateur agréé le plus proche sont disponibles sur le site Internet www.2helpU.com ou en contactant votre agence Black & Decker locale à l'adresse indiquée dans la présente notice.

Visitez notre site Internet www.blackanddecker.eu pour enregistrer votre nouveau produit Black & Decker et recevoir des informations sur nos nouveaux produits et nos offres spéciales.

Usò previsto

L'aspirapolvere senza filo BLACK+DECKER REVSU18D, REVSU18D1HF è stato progettato per svolgere lavori di pulizia tramite aspirazione. Questo apparecchio è destinato esclusivamente all'uso domestico.



Leggere attentamente tutto il contenuto di questo manuale prima di usare l'apparecchio.

Istruzioni di sicurezza



Avvertenza! Leggere attentamente tutte le avvertenze e le istruzioni di sicurezza.

La mancata osservanza delle avvertenze e istruzioni seguenti potrebbe causare scossa elettrica, incendi e/o gravi lesioni personali.

- ◆ L'uso previsto per l'apparecchio è descritto in questo manuale. Se questo apparecchio viene utilizzato con accessori o dotazioni o per impieghi diversi da quelli consigliati in questo manuale di istruzioni vi è il rischio che si verifichino lesioni alle persone.
- ◆ Conservare questo manuale per riferimenti futuri.
- ◆ Questo apparecchio è dotato di batterie che devono essere sostituite esclusivamente da persone qualificate.

Usò dell'apparecchio

- ◆ Non usare questo apparecchio per aspirare liquidi o materiali che potrebbero incendiarsi.
- ◆ Non utilizzare l'apparecchio se il contenitore raccogliapolvere e/o i filtri non sono in sede
- ◆ Non usare l'apparecchio vicino all'acqua.

- ◆ Non immergere l'apparecchio in acqua.
- ◆ Non inserire alcun oggetto nelle aperture. Non usare con nessuna delle aperture ostruite; tenere lontano da polvere, pelucchi, capelli e qualsiasi cosa che possa ridurre il flusso dell'aria.
- ◆ Tenere i capelli, gli indumenti non aderenti, le dita e tutte le parti del corpo lontano dalle aperture e dalle parti mobili dell'apparecchio.
- ◆ Non scollegare mai il caricabatterie dalla presa di corrente tirando il cavo di alimentazione. Tenere il cavo di alimentazione del caricabatterie lontano da fonti di calore, olio e bordi taglienti.
- ◆ Questo apparecchio può essere usato da bambini dagli 8 anni in su e da persone portatrici di handicap fisici, psichici o sensoriali o che non abbiano la dovuta esperienza o conoscenza, sempre che siano seguite o opportunamente istruite sul suo utilizzo in sicurezza e comprendano i pericoli inerenti. Non lasciare che i bambini giochino con l'apparecchio. Gli interventi di pulizia e manutenzione previsti da parte dell'utilizzatore non devono essere eseguiti da bambini senza supervisione.

Ispezione e riparazioni

Prima dell'uso, controllare che l'apparecchio non sia danneggiato e non presenti parti difettose.

Verificare inoltre che non vi siano parti rotte, interruttori danneggiati o altre condizioni che potrebbero incidere sul suo funzionamento.

- ◆ Non usare l'apparecchio se alcune parti sono danneggiate o difettose.
- ◆ Far riparare o sostituire le parti danneggiate o difettose da un tecnico autorizzato.
- ◆ Controllare a intervalli regolari che il cavo di alimentazione del caricabatterie non sia danneggiato. Sostituire il caricabatterie se il cavo è danneggiato o difettoso.
- ◆ Non tentare di smontare o sostituire alcuna parte, ad eccezione di quelle specificate in questo manuale.

Ulteriori precauzioni di sicurezza Dopo l'uso

- ◆ Prima di pulire il caricabatterie o la base di carica scollegare il caricabatterie dalla presa di corrente.
- ◆ Quando non viene usato, l'apparecchio deve essere conservato in un luogo asciutto.
- ◆ L'apparecchio non deve essere riposto alla portata dei bambini.

Rischi residui

L'uso dell'apparecchio potrebbe comportare rischi residui non necessariamente riportati nelle avvertenze di sicurezza allegate. Tali rischi possono verificarsi a seguito di un uso prolungato o improprio, ecc. Malgrado il rispetto delle norme di sicurezza pertinenti e l'implementazione di dispositivi di sicurezza, alcuni rischi residui non possono essere evitati.

Essi includono:

- ◆ lesioni causate dal contatto con parti rotanti/in movimento.
- ◆ lesioni personali subite durante la sostituzione di parti, lame o accessori;
- ◆ lesioni causate dall'impiego prolungato di un apparecchio. (quando si utilizza qualsiasi elettroutensile per lunghi periodi, accertarsi di fare regolarmente delle pause);
- ◆ menomazioni uditive;
- ◆ rischi per la salute causati dall'inalazione di polvere generata dall'utilizzo dell'apparecchio (ad esempio, quando si lavora con il legno, in modo particolare quello di quercia, faggio o l'MDF).

Batteria e caricabatterie

Batterie (possono essere vendute separatamente)

- ◆ Rimuovere le batterie ricaricabili dall'apparecchio prima di caricarle.
- ◆ Inserire le batterie rispettando la polarità corretta.
- ◆ Rimuovere le batterie scariche dall'apparecchio prima di smaltirle.
- ◆ Se si prevede che l'apparecchio rimarrà inutilizzato per un lungo periodo, rimuovere le batterie.
- ◆ I morsetti non devono essere cortocircuitati.
- ◆ Non tentare mai di aprire le batterie per alcun motivo.
- ◆ Non lasciare che le batterie si bagnino.
- ◆ Non esporre le batterie al calore.
- ◆ Non riporre le batterie in luoghi in cui la temperatura potrebbe superare 40°C.

- ◆ Caricare solo a temperature ambientali comprese tra 10 e 40°C.
- ◆ Caricare la batteria esclusivamente con il caricabatterie fornito in dotazione con l'elettroutensile. L'uso del caricabatterie sbagliato potrebbe causare scosse elettriche o il surriscaldamento della batteria.
- ◆ Quando si smaltiscono le batterie, seguire le istruzioni riportate al capitolo "Protezione dell'ambiente."
- ◆ Non danneggiare/deformare il pacco batteria forandolo o colpendolo, al fine di evitare il rischio di lesioni personali o di incendio.
- ◆ Non caricare le batterie danneggiate.
- ◆ In condizioni estreme, potrebbe verificarsi la perdita di liquido dalla batteria. Se si nota la presenza di liquido sulla batteria, asciugare con attenzione con uno straccio. Evitare il contatto con la pelle.
- ◆ In caso di contatto con la pelle o gli occhi, seguire le istruzioni riportate di seguito.

Avvertenza! Il liquido delle batterie potrebbe causare lesioni a persone o danni materiali.

In caso di contatto con la pelle, risciacquare immediatamente con acqua. In caso di arrossamento, dolore o irritazione, rivolgersi subito a un medico. In caso di contatto con gli occhi, risciacquarli immediatamente con acqua pulita e consultare un medico.

Caricabatterie (possono essere venduti separatamente)

Il caricabatterie è stato progettato per una tensione specifica. Controllare sempre che la tensione di rete corrisponda alla tensione sulla targhetta dei valori nominali e alle informazioni contenute nella tabella dei dati tecnici.

Avvertenza! Non tentare mai di sostituire il caricabatterie con una spina elettrica tradizionale.

- ◆ Usare il caricabatterie BLACK+DECKER solo per caricare la batteria dell'apparecchio con il quale è stato fornito. Tipi diversi di batterie potrebbero scoppiare provocando lesioni personali e danni materiali.
- ◆ Non tentare mai di caricare batterie non ricaricabili.
- ◆ In caso di danneggiamento del cavo di alimentazione, farlo riparare dal fabbricante o presso un Centro di assistenza BLACK+DECKER autorizzato, in modo da evitare pericoli.
- ◆ Non lasciare che il caricabatterie si bagni.
- ◆ Non aprire il caricabatterie.
- ◆ Non collegare il caricabatterie a sonde.
- ◆ L'apparecchio/la batteria devono essere lasciati in una zona ben ventilata durante la carica.

Sicurezza elettrica

Simboli sul caricabatterie



Leggere attentamente questo manuale prima di usare l'apparecchio.



Il doppio isolamento di cui è provvisto questo apparecchio rende superfluo il filo di terra. Verificare sempre che la tensione della rete di alimentazione corrisponda a quella indicata sulla targhetta dei valori nominali.



La base di ricarica è destinata esclusivamente all'uso in ambienti chiusi.

Etichette sull'apparecchio

Sull'apparecchio sono presenti i seguenti simboli assieme al codice data



Leggere attentamente il presente manuale prima di usare l'apparecchio.



Tenere i capelli lontani da spazzole, aperture e altre parti in movimento

Funzioni

Questo elettrotensile include alcuni o tutti i seguenti componenti.

1. Pulsante di accensione/spegnimento
2. Manico principale
3. Indicatore dello stato di carica
4. Pulsante di rilascio contenitore raccogli-polvere
5. Contenitore raccogli-polvere trasparente
6. Gruppo filtro ciclonico
7. Pulsante di sblocco asta di prolunga
8. Asta di prolunga
9. Bocchetta per pavimenti (con rilevamento pavimento integrato).
- 9b. Barra battitrice
10. Pulsante di rilascio della barra battitrice
11. Pulsante di rilascio della bocchetta per pavimenti
12. Bocchetta per interstizi
13. Caricabatterie
14. Vano di custodia
15. Pacco batteria
16. Pulsante di sgancio pacco batteria
17. Unità principale
18. Barra battitore a rulli morbidi (solo REVSV18D1HF)

Uso

Carica della batteria (Fig. A, B)

Il caricabatterie standard in dotazione carica la batteria completamente scarica in circa 5 ore

- ◆ Collegare il caricabatterie (13) a una presa di corrente adatta prima di inserirvi il pacco batteria (15).
- ◆ Inserire il pacco batteria (15) nel caricabatterie (13), come illustrato nella Figura A.
- ◆ Il LED verde (13a) lampeggia mentre la carica è in corso.
- ◆ Il completamento della ricarica sarà indicato dal LED verde (13a) che rimane acceso fisso. La batteria a quel punto è completamente carica e può essere utilizzata subito o lasciata nel caricabatterie.

Nota: ricaricare le batterie scariche al più presto possibile dopo l'uso o la durata della batteria potrebbe diminuire notevolmente.

Nota: Il caricabatterie e il pacco batteria possono essere lasciati collegati con il LED verde sempre acceso.

Il caricabatterie manterrà il pacco batteria come nuovo e completamente carico.

Note importanti riguardanti la carica

- ◆ La più lunga durata di vita e le migliori prestazioni si ottengono, se il pacco batteria è caricato con una temperatura dell'aria compresa tra 18° e 24°C. NON caricare il pacco batteria con una temperatura dell'aria compresa tra +4,5°C o ad oltre +40,5°C. Questo accorgimento è importante e consentirà di evitare gravi danni al pacco batteria.
- ◆ Il caricabatterie e la batteria possono diventare caldi al tatto durante la carica. È un fatto normale che non indica la presenza di problemi. Per facilitare il raffreddamento del pacco batteria dopo l'uso, evitare di posizionare il caricatore o il pacco batteria in un ambiente caldo come ad esempio in un capannone di metallo, o un rimorchio non isolato.
- ◆ Se il pacco batteria non si carica correttamente:
 - ◆ Controllare la presenza di corrente nella presa collegandovi una lampada o apparecchio simile.
 - ◆ Verificare se la presa è collegata ad un interruttore della luce che si spegne quando si spengono le luci.
 - ◆ Spostare il caricatore e il pacco batteria in un luogo dove la temperatura dell'aria circostante è di circa 18° - 24 °C.
 - ◆ Se i problemi di ricarica persistono, portare l'utensile, la batteria e il caricabatterie presso il centro di assistenza di zona.
- ◆ Il pacco batteria deve essere sostituito se non riesce a produrre energia a sufficienza per svolgere lavori che prima venivano eseguiti con facilità. NON CONTINUARE a usarlo in queste condizioni. Seguire la procedura di ricarica. È anche possibile caricare un pacco parzialmente utilizzato ogni volta che si desidera senza alcun effetto negativo sulla batteria.
- ◆ Materiali estranei di natura conduttiva quali, a titolo esemplificativo, ma non esaustivo, lana d'acciaio, fogli di alluminio o qualsiasi accumulo di particelle metalliche, devono essere tenuti lontano dalle cavità del caricabatterie. Scollegare sempre il caricabatterie dalla presa di corrente quando il pacco batteria non è in sede. Scollegare il caricabatterie dalla presa di corrente prima di iniziare a pulirlo.
- ◆ Non congelare né immergere il caricabatterie in acqua o altri liquidi.

Avvertenza! Non far penetrare alcun liquido all'interno del caricabatterie. Non tentare mai di aprire il pacco batteria per alcun motivo. Se l'alloggiamento in plastica del pacco batteria si rompe o si crepa, riportarlo presso un centro di assistenza per il riciclaggio.

Indicatore dello stato di carica (Fig. C)

Questo apparecchio include un indicatore del livello di carica (3), costituito da tre spie a LED che indicano il livello di carica residua della batteria. Questa funzione viene attivata solo quando l'aspirapolvere è acceso e quando è in carica.

L'indicatore dello stato di carica è un'indicazione dei livelli approssimativi di carica restanti nel pacco batteria.

L'indicatore LED della batteria mostra la carica residua e avvisa quando la batteria è scarica.

Il LED finale lampeggerà continuamente quando rimane solo pochissimo tempo di funzionamento.

Nota: l'indicatore dello stato di carica mostra solamente il livello di carica residua della batteria.

Non indica la funzionalità dell'apparato ed è soggetto a variazioni in base ai componenti prodotto, alla temperatura e all'applicazione dell'utente finale.

Installazione e rimozione della batteria (Fig. D)

Avvertenza! Accertarsi che l'aspirapolvere sia spento prima di rimuovere o inserire la batteria.

Per installare il pacco batteria

- ◆ Inserire il pacco batteria (15) nell'apparecchio (15b) finché non si sente un clic (Figura D). Assicurarsi che il pacco batteria sia insediato a fondo e completamente bloccato in posizione.

Per rimuovere il pacco batteria

- ◆ Premere il pulsante di rilascio della batteria (16) come indicato in Figura D ed estrarre la batteria dall'aspirapolvere.

Assemblaggio (Fig. E, F, G)

Questo aspirapolvere può essere utilizzato in quattro modi:

- ◆ Con il tubo di prolunga e la bocchetta per pavimenti come illustrato nella figura E.
 - ◆ Allineare la parte superiore del tubo di prolunga (8) alla presa di aspirazione sull'unità principale come illustrato nella Figura E.
 - ◆ Spingere il tubo di prolunga (8) sulla presa di aspirazione in modo che si blocchi in posizione.
 - ◆ Allineare la parte inferiore del tubo di prolunga (8) con la bocchetta per pavimenti (9), come illustrato nella Figura E.
 - ◆ Spingere la parte inferiore del tubo di prolunga (8) sulla bocchetta per pavimenti (9) in modo che si blocchi in posizione.
 - ◆ Per rimuovere il tubo, premere il pulsante di sgancio dell'asta di prolunga (7) situato presso il tubo di prolunga ed estrarre delicatamente l'accessorio collegato.
- ◆ Con l'unità principale e la bocchetta per pavimenti come illustrato nella figura F.
- ◆ Con il tubo di prolunga e la bocchetta per interstizi come illustrato nella figura G(3).

- ◆ Con l'unità principale e la bocchetta per interstizi come illustrato nella figura G(4).

Avvertenza! Quando non è in uso, posizionare la scopa elettrica con la parte posteriore dell'apparecchio rivolta verso una parete, affinché, in caso di caduta accidentale, l'apparecchio finisca contro la parete anziché contro persone o animali domestici.

Accensione e spegnimento (Fig. H)

- ◆ Per accendere, premere una volta il pulsante di accensione/spegnimento (1) e l'unità si avvierà in modalità Floorsense, per la sola modalità ad alta velocità premere nuovamente il pulsante.
- ◆ Per aumentare la potenza, premere il pulsante di accensione/spegnimento (1) una seconda volta.
- ◆ Premere il pulsante di accensione/spegnimento (1) una terza volta.

Nota: i LED dell'indicatore dello stato di carica (3) si illuminano quando l'aspirapolvere è acceso.

- ◆ Caricare la batteria (15) subito dopo l'uso, affinché sia pronto e completamente carico per l'utilizzo successivo.

Floorsense

Floorsense è attivo a bassa velocità. Quando viene rilevata una moquette, le prestazioni dell'unità vengono automaticamente aumentate alla velocità elevata. Quando viene rilevata una moquette, le prestazioni dell'unità vengono automaticamente aumentate alla velocità elevata.

Pulizia e svuotamento dell'aspirapolvere

Avvertenza! Pericolo di materiale proiettato/per l'apparato respiratorio. Non usare mai la scopa senza il filtro.

Avvertenza! Il filtro è riutilizzabile. Non confonderlo con un sacchetto raccogli-polvere usa e getta e non gettarlo nei rifiuti quando la scopa viene svuotata. Si raccomanda di sostituire il filtro ogni 6-9 mesi, a seconda della frequenza di utilizzo.

Svuotamento del contenitore raccogli-polvere (Fig. I, J, K, L)

- ◆ Premere il pulsante di sblocco del contenitore raccogli-polvere (4) per rilasciare e rimuovere il contenitore raccogli-polvere (5) dall'aspirapolvere.
- ◆ Con il dito indice e il pollice pizzicare le linguette di alloggiamento del filtro ed estrarre l'alloggiamento del filtro (6) dal contenitore raccogli-polvere come mostrato nella figura J.
- ◆ Posizionare il contenitore della polvere sopra un bidone della spazzatura e svuotarlo come illustrato nella figura K.
- ◆ Rimuovere il filtro in schiuma (6a) dall'alloggiamento del filtro (6) come illustrato nella figura L.
- ◆ Scuotere o spazzolare leggermente via la polvere dall'alloggiamento del filtro in schiuma e dal filtro.
- ◆ Sciacquare il contenitore raccogli-polvere (5) con acqua calda e sapone.

- ◆ Lavare i filtri con acqua calda saponata.
- ◆ Assicurarsi che i filtri siano completamente asciutti prima di reinserirli nell'alloggiamento del filtro.
- ◆ Rimontare il filtro in schiuma pulito e asciutto (6a) nell'alloggiamento del filtro (6).
- ◆ Inserire l'alloggiamento del filtro nel contenitore raccogli-polvere (5).
- ◆ Installare il contenitore raccogli-polvere sull'aspirapolvere, finché non scatterà saldamente in posizione.

Rimozione e pulizia delle barre battitrici (Fig. M, N, O, P)

Avvertenza! Per ridurre il rischio di lesioni personali causate dalle parti in movimento, scollegare la bocchetta per pavimenti e il tubo di prolunga dalla scopa prima di pulirla o sottoporla a manutenzione.

- ◆ Per rimuovere la barra battitrice (9b o 18) dalla bocchetta per pavimenti (9), far scorrere il pulsante di rilascio della barra battitrice (10) sul retro dell'unità.
- ◆ A quel punto è possibile rimuovere e pulire la barra battitrice (9b o 18).

Custodia sicura (Fig. Q)

L'unità può essere riposta in modo sicuro, quando non è in uso, posizionando il fermo sul retro dell'unità principale sul vano di custodia (14) come mostrato nella figura Q.

Avvertenza! Quando non è in uso, posizionare la scopa elettrica con la parte posteriore dell'apparecchio rivolta verso una parete, affinché, in caso di caduta accidentale, l'apparecchio finisca contro la parete anziché contro persone o animali domestici.

Guida per la risoluzione dei problemi

Problema	Causa possibile	Soluzione possibile
L'elettrotensile non parte.	Batteria non installata correttamente. Batteria scarica.	Controllare l'inserimento della batteria. Controllare i requisiti di carica della batteria

Problema	Causa possibile	Soluzione possibile
Il pacco batteria non si carica.	<p>La batteria non è inserita nel caricabatterie.</p> <p>Alimentatore non collegato a una presa di corrente.</p> <p>Temperatura dell'aria circostante troppo alta o troppo bassa.</p>	<p>Inserire la batteria nell'alimentatore finché non compare il LED. Collegare il caricabatterie a una presa di corrente funzionante. Consultare le "Note importanti riguardanti la carica" per ulteriori dettagli. Controllare la presenza di corrente nella presa collegandovi una lampada o apparecchio simile.</p> <p>Verificare che la presa di corrente non sia collegata a un interruttore della luce che interrompe l'alimentazione quando si spegne la luce. Spostare il caricabatterie e l'utensile a una temperatura dell'aria circostante superiore a 4,5 °C o inferiore a +40,5 °C.</p>

Manutenzione

Questo elettrodomestico BLACK+DECKER cordless è stato progettato per funzionare a lungo con una manutenzione minima. Prestazioni sempre soddisfacenti dipendono da una cura appropriata e da una pulizia regolare.

Avvertenza! Prima di qualsiasi operazione di manutenzione su elettrodomestici cordless, effettuare quanto segue:

- ◆ Spegnerne l'unità e rimuovere la batteria.
- ◆ Scollegare il caricabatterie dalla presa elettrica prima di pulirlo. Il caricabatterie non richiede alcuna manutenzione, salvo che una pulizia regolare.
- ◆ Pulire regolarmente le fessure di ventilazione dell'apparecchio/del caricabatterie con un pennello morbido o con un panno asciutto.
- ◆ Il vano del motore deve essere pulito regolarmente con un panno umido. Non usare materiali abrasivi o detersivi a base di solventi.

Sostituzione dei filtri

I filtri devono essere sostituiti ogni 6 - 9 mesi e quando sono usurati o danneggiati. I filtri di ricambio sono reperibili presso il proprio rivenditore BLACK+DECKER.

- ◆ Rimuovere i vecchi filtri come descritto sopra.
- ◆ Inserire i nuovi filtri come descritto sopra.

Tutela ambientale



Raccolta differenziata. I prodotti e le batterie contrassegnati con questo simbolo non devono essere smaltiti con i rifiuti domestici normali.

Apparecchi e batterie contengono materiali che possono essere recuperati o riciclati, riducendo la domanda di materie prime.

Riciclare i prodotti elettrici e le batterie attenendosi alle disposizioni locali vigenti. Ulteriori informazioni sono disponibili all'indirizzo web www.2helpU.com

Dati tecnici

REVS18D Tipo 1	
Tensione	18V _{dc}
Wattore	36Wh (pacco batteria 18v 2.0Ah)
Tempi di ricarica approssimativi	5 ore
Peso	3 kg

Caricabatterie	S010**2400040/SSC-250040**	
Tensione d'ingresso	V _{ca}	100 - 240
Tensione d'uscita	V _{dc}	8 - 20
Corrente	mA	400
Tempo di carica approssimativo	Ore	5

Batteria		BDL1518 BDL1518E	BDL2018 BDL2018E	BDL2518 BDL2518E
Tensione	V _{dc}	18	18	18
Capacità	Ah	1,5	2,0	2,5
Tipo		Li-Ion	Li-Ion	Li-Ion

Garanzia

Black & Decker, certa della qualità dei propri prodotti, offre ai consumatori una garanzia di 24 mesi dalla data di acquisto. Questo certificato di garanzia è complementare ai diritti legali del consumatore e non li pregiudica in alcun modo. La garanzia è valida nei territori degli Stati membri dell'Unione Europea, dell'EFTA (Associazione europea di libero scambio) e del Regno Unito.

Per attivare la garanzia, il reclamo deve essere effettuato in accordo con i Termini e Condizioni Black&Decker e sarà necessario presentare la prova di acquisto al venditore o all'agente di riparazione autorizzato.

Per consultare i Termini e condizioni della garanzia di 2 anno di Black&Decker e trovare il centro di assistenza autorizzato più vicino, visitare il sito web www.2helpU.com oppure rivolgersi alla propria sede Black & Decker locale, all'indirizzo riportato nel presente manuale.

Visitare il nostro sito www.blackanddecker.it per registrare il prodotto Black & Decker appena acquistato e ricevere gli aggiornamenti su nuovi prodotti e offerte speciali.

Bedoeld gebruik

Uw BLACK+DECKER REVS18D, REVS18D1HF snoerloze stofzuiger werd ontworpen voor stofzuigen en schoonmaken. Het apparaat is uitsluitend bedoeld voor huishoudelijk gebruik.



Lees deze volledige handleiding aandachtig voordat u het apparaat in gebruik neemt.

Veiligheidsinstructies

Waarschuwing! Lees alle veiligheidswaarschuwingen en alle instructies. Het niet opvolgen van de hieronder vermelde waarschuwingen en instructies kan leiden tot een elektrische schok, brand en/of ernstig persoonlijk letsel.

- ◆ Het bedoeld gebruik wordt beschreven in deze handleiding. Het gebruik van andere accessoires of hulpstukken dan wel de uitvoering van andere handelingen dan deze die in deze gebruikershandleiding worden aanbevolen, kan tot persoonlijk letsel leiden.
- ◆ Bewaar deze handleiding voor latere raadpleging.
- ◆ Dit apparaat bevat accu's die alleen door opgeleide personen vervangen kunnen worden.

Uw apparaat gebruiken

- ◆ Gebruik het apparaat nooit voor het opzuigen van vloeistoffen of materialen die vlam kunnen vatten.
- ◆ Niet gebruiken zonder geplaatste stofopvangbak en/of filters
- ◆ Gebruik het apparaat niet in de buurt van water.

- ◆ Dompel het apparaat niet onder in water.
- ◆ Steek geen voorwerpen in de openingen. Niet gebruiken als er een opening verstopt is; vrijhouden van stof, pluis, haar en alles dat de luchtstroom kan belemmeren.
- ◆ Houd haar, losse kleding, vingers en alle lichaamsdelen uit de buurt van openingen en bewegende delen.
- ◆ Trek de lader nooit aan het snoer uit het stopcontact. Houd de lader uit de buurt van warmtebronnen, olie en scherpe randen.
- ◆ Dit apparaat mag worden gebruikt door kinderen van 8 jaar en ouder en personen met beperkte lichamelijke, geestelijke of motorische mogelijkheden of een gebrek aan ervaring en kennis, als ze onder toezicht staan of instructies hebben gekregen over het veilig gebruik van het apparaat en ze de daaraan verbonden gevaren begrijpen. Kinderen mogen niet met het apparaat spelen. Reiniging en onderhoud van het apparaat mag niet worden uitgevoerd door kinderen zonder toezicht.

Inspectie en reparaties

Controleer de machine vóór gebruik op beschadigingen en defecte onderdelen. Controleer het vooral op gebroken onderdelen, schade aan de schakelaars en andere omstandigheden die de werking ervan kunnen beïnvloeden.

- ◆ Gebruik het apparaat niet als een onderdeel beschadigd of defect is.
- ◆ Laat beschadigde of defecte onderdelen door een erkend servicecentrum repareren of vervangen.
- ◆ Controleer het snoer van de lader regelmatig op beschadigingen. Vervang de lader als het snoer beschadigd of defect is.
- ◆ Probeer nooit om andere onderdelen dan deze die in deze handleiding worden vermeld, te verwijderen of vervangen.

Aanvullende Veiligheidsinstructies

Na gebruik

- ◆ Trek de stekker van de lader uit het stopcontact voordat u de lader of het laadstation schoonmaakt.
- ◆ Het apparaat moet na gebruik op een droge plaats bewaard worden.
- ◆ Kinderen mogen geen toegang tot bewaarde apparaten hebben.

Overige risico's

Er kunnen zich bij het gebruik van dit gereedschap nog meer risico's vormen, die mogelijk niet in de bijgesloten veiligheidswaarschuwingen worden beschreven. Deze risico's kunnen zich voordoen door onoordeelkundig gebruik, langdurig gebruik, enz. Zelfs wanneer de veiligheidsvoorschriften in acht worden genomen en de veiligheidsvoorzieningen worden gebruikt, kunnen bepaalde risico's niet worden vermeden.

Dit zijn onder meer:

- ◆ Letsels die worden veroorzaakt door het aanraken van draaiende/ bewegende onderdelen.
- ◆ Verwondingen die worden veroorzaakt bij het vervangen van onderdelen, zaagbladen of accessoires.
- ◆ Letsels die worden veroorzaakt door langdurig gebruik van gereedschap. Neem regelmatig pauzes als u gedurende langere periodes met gereedschap werkt.
- ◆ Gehoorbeschadiging.
- ◆ Gezondheidsrisico's door het inademen van stof dat vrijkomt tijdens het gebruik van uw gereedschap (bijvoorbeeld: het werken met hout, met name eiken, beuken en MDF.)

Accu's en laders

Accu's (kunnen apart worden verkocht)

- ◆ Opladbare accu's moeten uit het apparaat worden gehaald voordat ze worden opgeladen.
- ◆ Accu's moeten in de juiste richting worden geplaatst.
- ◆ Versleten accu's moeten altijd uit het apparaat worden gehaald en veilig worden afgevoerd.
- ◆ Als het apparaat voor langere tijd wordt opgeborgen, moeten de accu's worden verwijderd.
- ◆ De voedingscontacten mogen niet worden kortgesloten.
- ◆ Probeer nooit, om welke reden dan ook, een accu open te maken.

- ◆ Stel de accu niet bloot aan water.
- ◆ Stel de accu niet bloot aan hitte.
- ◆ Niet bewaren op plaatsen waar de temperatuur kan stijgen tot boven 40°C.
- ◆ Alleen opladen bij een omgevingstemperatuur tussen 10°C en 40°C.
- ◆ Alleen opladen met de lader die bij het apparaat/ gereedschap is geleverd. Het gebruik van de verkeerde lader kan een elektrische schok of oververhitting van de accu tot gevolg hebben.
- ◆ Volg tijdens het weggoaien van accu's de instructies in het deel "Het milieu beschermen".
- ◆ Beschadig/vervorm de accu niet door er in te prikken of er hard tegen te stoten, omdat hierdoor een risico op letsel en brand kan ontstaan.
- ◆ Laad beschadigde accu's niet op.
- ◆ Onder extreme omstandigheden kan lekkage van accu's optreden. Wanneer de accu nat of vochtig is, veegt u de vloeistof voorzichtig af met een doek. Vermijd contact met de huid.
- ◆ Volg de onderstaande instructies als de vloeistof in contact komt met uw huid of ogen.

Waarschuwing! De accuvloeistof kan persoonlijk letsel of materiële schade veroorzaken.

Bij huidcontact moet u de vloeistof direct afspoelen met water. Raadpleeg uw huisarts als er rode vlekken ontstaan of bij een pijnlijke of geïrriteerde huid.

Bij contact met de ogen moet u onmiddellijk spoelen met water en medische hulp zoeken.

Laders (kunnen apart worden verkocht)

Uw lader is ontworpen voor een bepaalde spanning. Controleer altijd dat de netspanning overeenkomt met de waarde op het typeplaatje en de informatie in de tabel met technische gegevens.

Waarschuwing! Probeer nooit om de stekker van de lader te vervangen door een normale netstekker.

- ◆ Gebruik uw lader van BLACK+DECKER alleen voor het opladen van de accu in het apparaat/ gereedschap waarbij deze is geleverd. Andere accu's kunnen barsten, met persoonlijk letsel en schade tot gevolg.
- ◆ Probeer nooit om niet-oplaadbare accu's op te laden.
- ◆ Als het netsnoer is beschadigd, moet dit door de fabrikant of door een erkend BLACK+DECKER-servicecentrum worden vervangen, om gevaarlijke situaties te voorkomen.
- ◆ Stel de lader niet bloot aan water.
- ◆ Open de lader niet.
- ◆ Prik nooit een voorwerp in de lader.
- ◆ Het apparaat/gereedschap/de accu moet tijdens het opladen in een goed geventileerde ruimte gezet worden.

Elektrische veiligheid

Symbolen op de lader



Lees deze handleiding aandachtig voordat u het apparaat in gebruik neemt.



Dit gereedschap is dubbel geïsoleerd; een aardingskabel is daarom niet vereist.

Controleer altijd dat de voeding overeenstemt met de spanning op het typeplaatje.



Het laadstation is uitsluitend bestemd voor gebruik binnenshuis.

Labels op het apparaat

Naast de datumcode worden op het apparaat de volgende pictogrammen vermeld



Lees deze handleiding aandachtig voordat u het apparaat in gebruik neemt



Houd haar uit de buurt van borstels, openingen en andere bewegende delen

Kenmerken

Dit gereedschap bevat enkele of alle van de volgende kenmerken.

1. Aan/uit-schakelaar
2. Hoofdhandgreep
3. Indicatielampje accuniveau
4. Ontgrendelknop stofopvangbak
5. Doorzichtige stofopvangbak
6. Cycloonfiltereenheid
7. Vrijgaveknop verlengbuis
8. Verlengbuis
9. Vloermond (met ingebouwde vloersensor)
- 9b. Klopper staaf
10. Vrijgaveknop klopperstang
11. Vrijgaveknop vloermond
12. Smalle zuigmond
13. Lader
14. Opslagstation
15. Accu
16. Accurijgaveknop
17. Hoofdeenheid
18. Zachte rolklopper (alleen REVS18D1HF)

Gebruik

De accu opladen (Afb. A, B)

De standaardlader die wordt geleverd laadt een volledig lege accu op in ongeveer 5 uur

- ◆ Steek de lader (13) in een geschikt stopcontact voordat u de accu (15) plaatst.
- ◆ Plaats de accu (15) in de lader (13), zoals wordt weergegeven op afbeelding A.
- ◆ Het groen LED-lampje (13a) gaat knipperen om aan te geven dat de accu wordt opgeladen.
- ◆ De accu is volledig opgeladen als het groen LED-lampje (13a) ononderbroken blijft branden. De accu is volledig opgeladen en kan worden gebruikt of kan in de lader blijven zitten.

Opmerking: Laad accu's die leeg zijn zo spoedig mogelijk na gebruik op, omdat anders de levensduur van de accu mogelijk ernstig wordt bekoft.

Opmerking: U kunt de accu voor onbepaalde tijd in de lader laten zitten en de groene LED blijft branden.

De lader houdt de accu volledig opgeladen.

Belangrijke opmerkingen over het laden

- ◆ De accu gaat het langst mee en presteert het best wanneer u oplaadt bij een luchttemperatuur tussen 18°-24°C. Laad de accu NIET op bij een luchttemperatuur lager dan +4,5 °C of hoger dan +40,5 °C. Dit is belangrijk en zal ernstige beschadiging van de accu voorkomen.
- ◆ De lader en de accu kunnen tijdens het laden bij aanraking warm aanvoelen. Dit is normaal en wijst niet op een probleem. Plaats de accu en de lader na gebruik niet in een warme omgeving, zoals een metalen schuur of een niet-geïsoleerde aanhangwagen, laat ze op een koele plaats afkoelen.
- ◆ Als de accu niet goed oplaadt:
 - ◆ Controleer dat er spanning op het stopcontact staat door een lamp of een ander apparaat aan te sluiten.
 - ◆ Controleer of het stopcontact wordt onderbroken door een schakelaar, die het licht uitschakelt en het stopcontact zonder spanning zet.
 - ◆ Verplaats de lader en de accu naar een plaats waar de luchttemperatuur tussen ongeveer 18° en 24 °C is.
 - ◆ Als het probleem met het opladen aanhoudt, breng het gereedschap, de accu en de lader dan naar uw plaatselijk servicecentrum.
- ◆ De accu moet worden opgeladen wanneer deze niet voldoende vermogen levert voor werkzaamheden die eerder zonder veel moeite werden uitgevoerd. WERK NIET LANGER MET HET GEREEDSCHAP in deze toestand. Volg de procedure voor het opladen. U kunt ook een accu die u al hebt gebruikt opladen, wanneer u dat maar wilt, zonder nadelige gevolgen voor de accu.
- ◆ Vreemde materialen die geleidend zijn, zoals, maar niet beperkt tot, staalwol, aluminiumfolie of een opeenhoping van metaalachtige deeltjes, moeten uit de buurt van de holtes van de lader worden gehouden. Trek altijd de stekker uit het stopcontact wanneer er geen accu in de lader zit. Trek de stekker van de lader uit het stopcontact voordat u de lader gaat reinigen.
- ◆ Laat de lader niet bevriezen en dompel de lader niet onder in water of andere vloeistoffen.

Waarschuwing! Laat geen vloeistof in de lader dringen. Probeer nooit om welke reden dan ook de accu te openen. Als de kunststof behuizing van de accu breekt of scheurt, breng de accu dan naar het servicecentrum waar deze kan worden gerecycled.

Indicatielampjes accuniveau (Afb. C)

Dit apparaat is uitgerust met indicatielampjes voor het accuniveau (3), namelijk drie LED-lampjes die het resterende accuniveau aangeven. Deze functie wordt alleen geactiveerd als de stofzuiger wordt ingeschakeld en wanneer de stofzuiger wordt opgeladen.

De indicatielampjes voor het accuniveau geven bij benadering het resterende niveau van de accu aan.

Het LED-indicatielampje voor het accuniveau geeft het resterende niveau aan en waarschuwt u als de accu bijna leeg is. Het laatste LED-lampje zal ononderbroken knipperen als het apparaat bijna gaat uitschakelen vanwege een lege accu.

Opmerking: Het indicatielampje voor het accuniveau is slechts een indicatie van het resterende niveau van de accu. Het is niet bedoeld om de werking van het gereedschap aan te geven en is onderhevig aan schommelingen, afhankelijk van productonderdelen, temperatuur en de toepassing door de eindgebruiker.

De accu plaatsen en verwijderen (Afb. D)

Waarschuwing! Schakel de stofzuiger vooral uit voordat u de accu uitneemt of plaatst.

De accu plaatsen

- ◆ Plaats de accu (15) in de stofzuiger (15b) en duw tot u een klik hoort (Afbeelding D). Controleer dat de accu geheel op zijn plaats zit en goed is vergrendeld.

Om de accu te verwijderen

- ◆ Druk op de accu-ontgrendelknop (16) zoals wordt weergegeven op Afbeelding D en trek de accu uit de stofzuiger.

Montage (Afb. E, F, G)

Deze stofzuiger kan op vier manieren gebruikt worden.

- ◆ Met de verlengbuis en de vloermond zal worden weergegeven op afbeelding E.
 - ◆ Lijn de bovenkant van de verlengbuis (8) uit met de stofzuigerinlaat op de hoofdeenheid, zoal wordt weergegeven op afbeelding E.
 - ◆ Duw de verlengbuis (8) op de stofzuigerinlaat zodat deze op zijn plaats vergrendelt.
 - ◆ Lijn de onderkant van de verlengbuis (8) uit met de vloermond (9), zoal wordt weergegeven op afbeelding E.
 - ◆ Duw de onderkant van de verlengbuis (8) op de vloermond (9) zodat deze op zijn plaats vergrendelt.
 - ◆ Druk om de buis te verwijderen op de vrijgaveknop van de verlengbuis (7) op de verlengbuis en trek het bevestigd accessoire voorzichtig los.
- ◆ Met de hoofdeenheid en vloermond zoals weergegeven op afbeelding F.
- ◆ Met de verlengbuis en de smalle zuigmond zoals weergegeven op afbeelding G(3).

- ◆ Met de hoofdeenheid en de smalle zuigmond zoals weergegeven op afbeelding G(4).

Waarschuwing! Plaats de eenheid, wanneer deze niet in gebruik is, met de achterkant van de stofzuiger naar een muur gericht, zodat er geen mensen of huisdieren geraakt moest de eenheid omvallen.

AAN en UIT zetten (Afb. H)

- ◆ Druk om AAN te zetten één keer op de aan/uit-schakelaar (1) en de eenheid zal starten in de vloersensormodus, druk opnieuw op de knop voor alleen de hogesnelheidsmodus.
- ◆ Druk een tweede keer op de Aan/Uit-knop (1) voor meer vermogen.
- ◆ Druk een derde keer op de Aan/Uit-knop (1) om de eenheid uit te schakelen.

Opmerking: De LED's voor het accuniveau (3) gaan branden als de stofzuiger AAN staat.

- ◆ Laad de accu (15) onmiddellijk na gebruik weer op, zodat deze klaar en volledig is opgeladen voor de volgende keer.

Vloersensor

Vloersensor is actief in de lage snelheid. Als er een tapijt gedetecteerd wordt, zal de eenheid automatisch overschakelen naar hoge snelheid. Als er een harde vloer gedetecteerd wordt, zal de eenheid automatisch overschakelen naar lage snelheid.

De stofzuiger leegmaken en schoonmaken

Waarschuwing! Risico op projectielen en ademhalingsproblemen: Gebruik de stofzuiger nooit zonder het filter.

Waarschuwing! Het filter kan opnieuw worden gebruikt, verwar het niet met de stofzakken voor eenmalig gebruik, en gooi het filter niet weg wanneer u het product leegmaakt. We raden aan om het filter elke 6–9 maanden te vervangen, afhankelijk van hoe vaak de stofzuiger gebruikt wordt.

De stofopvangbak leegmaken (Afb. I, J, K, L)

- ◆ Duw op de vrijgaveknop van de stofopvangbak (4) en neem de stofopvangbak (5) van de stofzuiger.
- ◆ Knijp met uw duim en wijsvinger op de lipjes van de filterbehuizing en trek de filterbehuizing (6) van de stofopvangbak zoals wordt weergegeven op afbeelding J.
- ◆ Plaats de stofopvangbak boven een vuilnisbak en maak de stofopvangbak leeg zoal wordt weergegeven op afbeelding K.
- ◆ Haal het schuimfilter (6a) uit de filterbehuizing (6) zoals wordt weergegeven op afbeelding L.
- ◆ Schud of borstel los stof lichtjes van de behuizing van het schuimfilter en het filter.
- ◆ Spoel de stofopvangbak (5) met warm zeepsop.
- ◆ Was de filters met warm zeepsop.

- ◆ Verzeker dat de filters volledig droog zijn voordat u ze opnieuw in de filterbehuizing plaatst.
- ◆ Plaats het schoon en droog schuimfilter (6a) opnieuw in de filterbehuizing (6).
- ◆ Installeer de filterbehuizing in de stofopvangbak (5).
- ◆ Installeer de stofopvangbak op de stofzuiger, tot deze stevig op zijn plaats 'klikt'.

De klopperstang verwijderen en schoonmaken (Afb. M, N, O,)

Waarschuwing! Haal de vloermond en de verlengbuis van de stofzuiger vóór reiniging of onderhoud, om het risico op letsels door bewegende delen te verminderen.

- ◆ Schuif om de klopperstang (9b of 18) van de vloermond (9) te verwijderen de vrijgaveknop van de klopperstang (10) naar de achterkant van de eenheid.
- ◆ De klopperstang (9b of 18) kan nu verwijderd en schoongemaakt worden.

Veilig opbergen (Afb. Q)

De eenheid kan, indien niet in gebruik, veilig worden opgeborgen door het haakje op de achterkant van de hoofdeenheid op het opslagstation (14) te plaatsen, zoals weergegeven op afbeelding Q.

Waarschuwing! Plaats de eenheid, wanneer deze niet in gebruik is, met de achterkant van de stofzuiger naar een muur gericht, zodat er geen mensen of huisdieren geraakt moest de eenheid omvallen.

Problemen oplossen

Probleem	Mogelijke oorzaak	Mogelijke oplossing
Unit start niet.	De accu is niet goed geplaatst. Accu is niet opgeladen.	Controleer dat de accu goed is geplaatst. Controleer de laadvereisten van de accu
De accu laadt niet op.	De accu is niet in de lader geplaatst. De stekker van de lader zit niet in het stopcontact.	Plaats de accu in de lader en wacht tot het LED-lampje gaat branden. Steek de stekker van de lader in een werkend stopcontact. Raadpleeg "Belangrijke opmerkingen over laden" voor meer informatie. Controleer de spanning door een lamp of ander apparaat aan te sluiten op het stopcontact. Controleer of de spanning op het stopcontact misschien wordt onderbroken door een lichtschakelaar, die het stopcontact stroomloos maakt wanneer u het licht uitschakelt. Verplaats de lader en het gereedschap naar een plaats met een omgevingstemperatuur van meer dan 4,5°C of minder dan +40,5°C.
	De temperatuur van de omgevingslucht is te hoog of te laag.	

Onderhoud

Uw BLACK+DECKER-apparaat zonder snoer is ontworpen om gedurende lange tijd te functioneren met een minimum aan onderhoud. Het continu naar tevredenheid functioneren hangt af van de juiste zorg voor het gereedschap en regelmatig schoonmaken.

Waarschuwing! Doe altijd het volgende voordat u onderhouds- of reinigingswerkzaamheden aan het snoerloze apparaat uitvoert:

- ◆ Schakel de eenheid uit en verwijder de accu.
- ◆ Trek de stekker van de lader uit het stopcontact voordat u deze schoonmaakt. Behalve regelmatige reiniging vraagt de lader geen onderhoud.
- ◆ Reinig regelmatig de ventilatieopeningen van uw apparaat/lader met een zachte borstel of droog doek.
- ◆ Reinig de behuizing regelmatig met een vochtige doek. Gebruik geen schurend schoonmaakmiddel of een schoonmaakmiddel op basis van een oplosmiddel.

Filters vervangen

De filters moeten om de 6 à 9 maanden of indien versleten of beschadigd, vervangen worden. Vervangfilters zijn verkrijgbaar bij uw BLACK+DECKER-verdeler.

- ◆ Verwijder de oude filters zoals hierboven wordt beschreven.
- ◆ Plaats de nieuwe filters zoals hierboven wordt beschreven.

Het milieu beschermen



Gescheiden afvalinzameling. Producten en accu's die zijn voorzien van dit symbool mogen niet worden weggegooid bij het normale huishoudafval.

Producten en accu's bevatten materialen die kunnen worden gerecupereerd of gerecycled, wat de vraag naar grondstoffen doet afnemen.

Recycleer elektrische producten en accu's overeenkomstig de plaatselijke richtlijnen. Nadere informatie is beschikbaar op www.2helpU.com

Technische gegevens

	REVS18D Type 1
Spanning	18 V _{dc}
Watt Uur	36 Wh (18 v 2,0 Ah accu)
Opladtid bij benadering	5 uur
Gewicht	3 kg

Lader		S010**2400040/SSC-250040**
Ingangsspanning	V _{ac}	100 - 240
Uitgangsspanning	V _{dc}	8 - 20
Laadstroom	mA	400

Lader		S010**2400040/SSC-250040**
Laadtijd bij benadering	Uren	5

Accu		BDL1518 BDL1518E	BDL2018 BDL2018E	BDL2518 BDL2518E
Spanning	V _{dc}	18	18	18
Capaciteit	Ah	1,5	2,0	2,5
Type		Li-Ion	Li-Ion	Li-Ion

Garantie

Black & Decker heeft vertrouwen in de kwaliteit van zijn producten en biedt consumenten een garantie van 24 maanden vanaf de aankoopdatum. Deze garantie is een aanvulling op uw wettelijke rechten en doet op geen enkele manier afbreuk aan uw statutaire rechten. De garantie is geldig op het grondgebied van de Lidstaten van de Europese Unie en de Europese Vrijhandelszone en het Verenigd Koninkrijk.

Voor een garantieclaim, moet uw claim in overeenstemming zijn met de Algemene voorwaarden van Black&Decker en moet u een bewijs van aankoop voorleggen aan de verkoper of een erkende reparatiemonteur.

Voorwaarden en condities van de 2-jarige garantie van Black&Decker en de vestiging van het geautoriseerde reparatiecentrum bij u in de buurt, kunt u vinden op internet op www.2helpU.com, of kunt u verkrijgen door contact op te nemen met het Black & Decker-kantoor op het adres dat in deze handleiding wordt vermeld.

Ga naar onze website www.blackanddecker.eu en registreer uw nieuw Black & Decker-product en ontvang updates over een nieuwe producten en speciale aanbiedingen.

Uso previsto

La aspiradora sin cable REVS18D, REVS18D1HF de BLACK+DECKER ha sido diseñada para la limpieza mediante aspiración. Este aparato está previsto únicamente para uso doméstico.



Lea todo el manual detenidamente antes de utilizar el aparato.

Instrucciones de seguridad



¡Advertencia! Lea todas las advertencias de seguridad y todas las instrucciones. El incumplimiento de las advertencias e instrucciones que aparecen a continuación podría provocar una descarga eléctrica, un incendio y/o lesiones graves.

- ◆ En este manual se describe el uso previsto. La utilización de accesorios o la realización con el aparato de operaciones distintas a las recomendadas en este manual de instrucciones puede suponer un riesgo de lesiones.
- ◆ Conserve este manual para futuras consultas.
- ◆ Este aparato contiene baterías que pueden ser sustituidas únicamente por personas cualificadas.

Uso del aparato

- ◆ No utilice el aparato para recoger líquidos o cualquier material inflamable.
- ◆ No utilice el aparato si no tiene colocado el contenedor de polvo y/o los filtros.
- ◆ No utilice el aparato cerca del agua.

- ◆ No sumerja el aparato en agua.
- ◆ No coloque ningún objeto en las aperturas. No utilice el aparato si tiene algún orificio bloqueado; manténgalo libre de polvo, pelusa, pelos o cualquier otro elemento que pudiese reducir el flujo de aire.
- ◆ Mantenga el cabello, la ropa holgada, los dedos y todas las partes del cuerpo alejadas de los orificios y las piezas móviles.
- ◆ Nunca tire del cable para desconectar el cargador de la toma de corriente. Mantenga el cable del cargador alejado de fuentes de calor, aceites y bordes afilados.
- ◆ Este aparato puede ser usado por niños a partir de 8 años de edad y por personas con capacidades físicas, sensoriales o mentales disminuidas, o que carezcan de experiencia y conocimientos, si están supervisadas o han recibido formación con respecto al uso del aparato de una forma segura y comprenden los peligros que entraña su uso. Los niños no deben jugar con este aparato. La limpieza y el mantenimiento de usuario no deben ser realizados por niños sin supervisión.

Inspecciones y reparaciones

Antes de utilizar el aparato, compruebe que no tenga piezas dañadas o defectuosas. Compruebe que no hay piezas rotas, que los interruptores no están dañados y que no existen otros defectos que puedan afectar al funcionamiento del aparato.

- ◆ No utilice el aparato si presenta alguna pieza dañada o defectuosa.
- ◆ Haga reparar o sustituir las piezas dañadas o defectuosas por un agente de servicio técnico autorizado.
- ◆ Compruebe periódicamente que el cable del cargador no haya sufrido daños. Sustituya el cargador si el cable está dañado o es defectuoso.
- ◆ Nunca intente extraer ni sustituir ninguna pieza que no esté especificada en este manual.

Otras instrucciones de seguridad

Después del uso

- ◆ Desenchufe el cargador antes de limpiar el cargador o la base de carga.
- ◆ Cuando no utilice el aparato, guárdelo en un lugar seco.
- ◆ Los niños no deben tener acceso a los aparatos guardados.

Riesgos residuales

El uso de esta herramienta puede producir riesgos residuales adicionales no incluidos en las advertencias de seguridad adjuntas. Estos riesgos pueden surgir por un mal uso, un uso prolongado, etc.

El cumplimiento de las normas de seguridad correspondientes y el uso de dispositivos de seguridad no evitan ciertos riesgos residuales.

Dichos riesgos incluyen:

- ◆ Lesiones por contacto con piezas móviles o giratorias.
- ◆ Lesiones producidas al cambiar alguna pieza, cuchilla o accesorio.

- ◆ Lesiones causadas por el uso prolongado de una herramienta. Si utiliza una herramienta durante períodos de tiempo demasiado prolongados, asegúrese de realizar pausas con frecuencia.
- ◆ Deterioro auditivo.
- ◆ Riesgos para la salud causados por la respiración del polvo generado por el uso de la herramienta (por ejemplo, al trabajar con madera, especialmente roble, haya y tablero semiduro de fibras).
- ◆ Utilice únicamente el cargador suministrado con el aparato o la herramienta para realizar la carga. La utilización de un cargador incorrecto puede producir una descarga eléctrica o el recalentamiento de la batería.
- ◆ Cuando deseche las baterías, siga las instrucciones indicadas en la sección «Protección del medioambiente».
- ◆ No dañe ni deforme la batería mediante perforaciones o golpes, hacerlo supone el riesgo de incendio y lesiones.

Baterías y cargadores

Baterías (pueden ser vendidas por separado)

- ◆ Hay que quitar del aparato las baterías recargables antes de cargarlas.
- ◆ Las baterías deben insertarse con la polaridad correcta.
- ◆ Hay que quitar las baterías agotadas del aparato y desecharlas en modo seguro.
- ◆ Si debe guardar el aparato y no va a usarlo en mucho tiempo, debe quitarle las baterías.
- ◆ Los terminales de alimentación no deben cortocircuitarse.
- ◆ Nunca trate de abrir las baterías por ningún motivo.
- ◆ No esponga la batería al agua.
- ◆ No esponga la batería al calor.
- ◆ No guarde la batería en lugares donde la temperatura supere los 40 °C.
- ◆ Realice la carga únicamente a una temperatura ambiente comprendida entre 10 °C y 40 °C.

- ◆ No cargue baterías dañadas.
- ◆ En condiciones extremas, es posible que se produzcan fugas del líquido de las baterías. Cuando note que se producen fugas en la batería, limpie cuidadosamente el líquido con un paño. Evite el contacto con la piel.
- ◆ En caso de contacto con la piel o los ojos, siga las instrucciones indicadas a continuación.

¡Advertencia! El líquido de la batería puede provocar lesiones o daños materiales. En caso de contacto con la piel, lave la zona afectada con agua inmediatamente. Si se produce enrojecimiento, dolor o irritación, solicite atención médica. En caso de contacto con los ojos, lave la zona inmediatamente con agua limpia y solicite atención médica.

Cargadores (pueden ser vendidas por separado)

El cargador ha sido diseñado para un voltaje específico.

Compruebe siempre que el voltaje de la red eléctrica corresponda al indicado en la placa de datos y en la información técnica de la tabla de datos.

¡Advertencia! No intente sustituir el cargador por un enchufe convencional para la red eléctrica.

- ◆ Utilice el cargador BLACK+DECKER solamente para cargar la batería en el aparato o la herramienta con la que fue suministrado. Otras baterías podrían explotar y provocar lesiones y daños materiales.
- ◆ Nunca intente cargar baterías no recargables.
- ◆ Si se daña el cable de alimentación, deberá sustituirlo el fabricante o un centro de servicio técnico autorizado de BLACK+DECKER, para evitar riesgos.
- ◆ No exponga el cargador al agua.
- ◆ No abra el cargador.
- ◆ No aplique ningún dispositivo para medir la resistencia del cargador.
- ◆ Durante la carga, el aparato, la herramienta o la batería deben colocarse en una zona correctamente ventilada.

Seguridad eléctrica

Símbolos del cargador



Lea todo el manual detenidamente antes de utilizar el aparato.



Esta herramienta lleva un doble aislamiento; por lo tanto, no requiere una toma de tierra. Compruebe siempre que el voltaje suministrado corresponda al indicado en la placa de características.



La base del cargador está pensada únicamente para utilizarla en espacios interiores.

Etiquetas del aparato

Junto con el código de la fecha, en el aparato aparecen los siguientes símbolos:



Lea todo el manual detenidamente antes de utilizar el aparato.



Mantenga el cabello alejado de los cepillos, las aberturas y otras piezas móviles

Características

Esta herramienta incluye todas o algunas de las características siguientes.

1. Botón de encendido/apagado
2. Manillar principal
3. Indicador del estado de carga
4. Botón de liberación del contenedor de polvo
5. Contenedor de polvo extraíble
6. Conjunto del filtro ciclónico
7. Botón de liberación del tubo de extensión
8. Tubo de extensión
9. Cabeza para suelos (con sensor de suelo incorporado)
- 9b. Barra sacudidora
10. Botón de liberación de la barra sacudidora
11. Botón de liberación de la cabeza para suelos
12. Boquilla rinconera
13. Cargador
14. Estación de almacenamiento
15. Batería
16. Botón de liberación de la batería
17. Unidad principal
18. Barra batidora de rodillo suave (solo REVSV18D1HF)

Uso

Carga de la batería (Figs. A y B)

El cargador estándar proporcionado carga una batería completamente agotada en unas 5 horas

- ◆ Enchufe el cargador (13) en una toma adecuada antes de introducir la batería (15).
- ◆ Introduzca la batería (15) en el cargador (13) como se muestra en la figura A.
- ◆ El LED verde (13a) parpadea indicando que se está cargando la batería.
- ◆ Cuando termina la carga, el LED verde (13a) queda encendido fijo. La batería está cargada y ahora puede usarla o dejarla en el cargador.

Nota: Recargue las baterías descargadas tan pronto como sea posible después del uso; de lo contrario, se reducirá su vida útil.

Nota: El cargador y la batería pueden permanecer conectados durante un periodo de tiempo indefinido con el LED indicador verde iluminado. El cargador mantendrá la batería a baja temperatura y completamente cargada.

Notas importantes para la carga

- ◆ Se puede conseguir una mayor duración y rendimiento si se carga la batería con una temperatura ambiente de entre 18 °C y 24 °C. NO cargue la batería a una temperatura ambiente inferior a +4,5 °C o superior a +40,5 °C.
Esto es importante y previene los daños graves a la batería.
- ◆ El cargador y la batería pueden calentarse durante la carga. Esto es normal y no indica ningún problema. Para facilitar el enfriamiento de la batería después del uso, evite colocar el cargador o la batería en un ambiente cálido, como un cobertizo metálico o un remolque sin aislamiento.
- ◆ Si la batería no se carga correctamente:
 - ◆ Enchufe una lámpara u otro aparato en la toma para comprobar la corriente.
 - ◆ Compruebe si la toma está conectada a un interruptor de luz que corta la energía al apagar las luces.
 - ◆ Desplace el cargador y la batería hacia un lugar donde la temperatura ambiente sea de aproximadamente 18 °C - 24 °C.
 - ◆ Si el problema de carga persiste, lleve la herramienta, la batería y el cargador a su servicio técnico local.
- ◆ La batería debe recargarse cuando no produce energía suficiente para trabajos que antes se efectuaban fácilmente. NO SIGA usándolo en estas condiciones. Siga el procedimiento de carga. También puede cargar una batería parcialmente usada cuando lo desee, sin ningún efecto adverso para la batería.
- ◆ Los materiales conductores extraños tales como, a título enunciativo pero no limitativo, lana de acero, papel de aluminio o cualquier acumulación de partículas metálicas deben mantenerse alejados de las cavidades del cargador.
Desconecte siempre el cargador de la red cuando no haya ninguna batería en el alojamiento.

Desconecte el cargador antes de intentar limpiarlo.

- ◆ No congele ni sumerja el cargador en agua u otros líquidos.

¡Advertencia! No permita que ningún líquido penetre en el cargador. Nunca intente abrir la batería por ningún motivo. Si la carcasa de plástico de la batería se rompe o se agrieta, lívela a un servicio técnico para reciclarla.

Indicador del estado de carga (Fig. C)

Este aparato está dotado de un indicador del estado de carga (3) que consiste en tres luces LED que indican el nivel de carga restante de la batería. Esta función se activa solo cuando la aspiradora está encendida y cuando se está cargando.

El indicador de nivel de carga indica el nivel de carga aproximado que queda en la batería.

El LED indicador de la batería muestra la carga restante y le avisa cuando la batería está baja.

El último LED parpadeará continuamente cuando quede muy poco tiempo de funcionamiento.

Nota: El indicador del estado de carga da solo una indicación de la carga que queda en la batería.

No indica ninguna funcionalidad de la herramienta y podrá registrar variaciones en función de los componentes del producto, de la temperatura y de la aplicación del usuario final.

Instalación y extracción de la batería (Fig. D)

¡Advertencia! Asegúrese de que la aspiradora está apagada antes de colocar o extraer la batería.

Colocación de la batería

- ◆ Inserte la batería (15) en la aspiradora (15b) hasta que oiga un clic (Fig. D). Compruebe que la batería quede bien colocada y enganchada en su posición.

Para extraer la batería

- ◆ Pulse el botón de liberación de la batería (16) como se muestra en la figura D y extraiga la batería de la aspiradora.

Montaje (Fig. E, F, G)

Esta aspiradora puede utilizarse en uno de los cuatro modos siguientes.

- ◆ Con el tubo de extensión y la cabeza para suelos, como se muestra en la figura E.
 - ◆ Alinee la parte superior del tubo de extensión (8) con la entrada de la aspiradora de la unidad principal, como se muestra en la figura E.
 - ◆ Empuje el tubo de extensión (8) en la entrada de la aspiradora para bloquearlo en su posición.
 - ◆ Alinee la parte inferior del tubo de extensión (8) con la cabeza para suelos (9), como se muestra en la figura E.
 - ◆ Empuje la parte inferior del tubo de extensión (8) sobre la cabeza para suelos (9) para bloquearla en su posición.
 - ◆ Para retirar el tubo, presione el botón de liberación del tubo de extensión (7) ubicado en el tubo de extensión y tire suavemente para desconectar el accesorio.
- ◆ Con la unidad principal y la cabeza para suelos, como se muestra en la figura F.
- ◆ Con el tubo de extensión y la boquilla rinconera, como se muestra en la figura G(3).
- ◆ Con la unidad principal y la boquilla rinconera, como se muestra en la figura G(4).

¡Advertencia! Cuando no esté usando la aspiradora, colóquela con la parte posterior mirando a una pared, de modo que, si se cae, acabe contra la pared, y no contra personas o mascotas.

Encendido y apagado (Fig. H)

- ◆ Para encenderla, pulse el botón de encendido/apagado (1) una vez y la unidad arrancará en modo «floorsense», para el modo de alta velocidad pulse nuevamente el botón.
- ◆ Para aumentar la potencia, vuelva a pulsar por segunda vez el botón de encendido/apagado (1).
- ◆ Pulse el botón de encendido/apagado (1) por tercera vez para apagar la unidad.

Nota: Los LED indicadores de estado de carga (3) se iluminan cuando la aspiradora está encendida.

- ◆ Cargue la batería (15) inmediatamente después del uso, para que esté lista y completamente cargada para usarla la próxima vez.

Floorsense

Floorsense se activa en velocidad baja. Cuando detecta una alfombra, el rendimiento de la unidad aumenta automáticamente a velocidad alta. Cuando detecta un suelo duro, el rendimiento de la unidad se reduce automáticamente a velocidad baja.

Limpieza y vaciado de la aspiradora

¡Advertencia! Peligro de proyección/respiratorio: No utilice nunca la aspiradora sin filtro.

¡Advertencia! El filtro es reutilizable y no debe confundirse con la bolsa de polvo desechable, ni debe tirarse cuando el producto se vacíe. Le recomendamos sustituir los filtros cada 6–9 meses, dependiendo de la frecuencia de uso.

Para vaciar el contenedor de polvo (Fig. I, J, K, L)

- ◆ Apriete el botón de liberación del contenedor de polvo (4) para liberar y extraer el contenedor de polvo (5) de la aspiradora.
- ◆ Con el dedo índice y el pulgar agarre las lengüetas del alojamiento del filtro (6) y tire del contenedor de polvo como se muestra en la figura J.
- ◆ Coloque el contenedor de polvo sobre un cubo de basura y vacíe el contenedor polvo como se muestra en la figura K.
- ◆ Retire el filtro de espuma (6a) del alojamiento del filtro (6) como se muestra en la figura. L.
- ◆ Sacuda o cepille ligeramente el polvo suelto del alojamiento del filtro de espuma y del filtro.
- ◆ Enjuague el contenedor de polvo (5) con agua tibia y jabón.
- ◆ Lave los filtros con agua tibia y jabón.
- ◆ Asegúrese de que los filtros estén completamente secos antes de volver a colocarlos en su alojamiento.
- ◆ Vuelva a colocar el filtro de espuma (6a) limpio y seco en el alojamiento del filtro (6).
- ◆ Instale el alojamiento del filtro en el contenedor de polvo (5).

- ◆ Instale el contenedor de polvo en la aspiradora, cuando encaje firmemente en su posición hará clic.

Extracción y limpieza de la barra sacudidora (Fig. M, N, O, P)

¡Advertencia! Para reducir el riesgo de lesiones por piezas móviles, desconecte la cabeza para suelos y el tubo de extensión de la aspiradora antes de efectuar cualquier limpieza o reparación.

- ◆ Para desmontar la barra sacudidora (9b o 18) de la cabeza para suelos (9), deslice el botón de liberación de la barra sacudidora (10) hacia la parte trasera de la unidad.
- ◆ Ahora puede retirar y limpiar la barra sacudidora (9b o 18).

Almacenamiento seguro (Fig. Q)

Cuando no se utiliza, la unidad puede guardarse de forma segura colocando el cerrojo de la parte trasera de la unidad principal en la estación de almacenamiento (14), como se muestra en la figura Q.

¡Advertencia! Cuando no esté usando la aspiradora, colóquela con la parte posterior mirando a una pared, de modo que, si se cae, acabe contra la pared, y no contra personas o mascotas.

Resolución de problemas

Problema	Causa posible	Solución posible
La unidad no arranca.	La batería no se ha instalado correctamente. La batería no está cargada.	Compruebe la instalación de la batería. Compruebe los requisitos de carga de la batería
La batería no se carga.	No se ha colocado la batería en el cargador. El cargador no está enchufado. La temperatura del aire circundante es demasiado caliente o demasiado fría.	Inserte la batería en el cargador hasta que se encienda el LED. Enchufe el cargador en una toma de corriente que funcione. Puede obtener más información en "Notas importantes para la carga". Encienda una lámpara u otro aparato para comprobar la corriente del receptáculo. Compruebe si la toma está conectada a un interruptor de luz que apaga la corriente cuando se apagan las luces Coloque el cargador y la herramienta a una temperatura ambiente superior a 4,5 °C o inferior a +40,5 °C.

Mantenimiento

Este aparato sin cable de BLACK+DECKER ha sido diseñado para funcionar durante un largo período de tiempo con un mantenimiento mínimo. El funcionamiento satisfactorio y continuo depende del buen cuidado de la herramienta y de una limpieza frecuente.

¡Advertencia! Antes de realizar el mantenimiento de aparatos sin cables:

- ◆ Apague la unidad y retire la batería.
- ◆ Desenchufe el cargador antes de limpiarlo. Su cargador no requiere ningún mantenimiento, salvo la limpieza periódica.
- ◆ Limpie periódicamente las ranuras de ventilación de su electrodoméstico/cargador con un cepillo suave o un paño seco.
- ◆ Limpie periódicamente la carcasa del motor con un paño húmedo. No utilice limpiadores abrasivos o a base de disolventes.

Sustitución de los filtros

Es necesario cambiar los filtros cada 6 o 9 meses y cuando se gasten o se dañen. Encontrará filtros de repuesto en el distribuidor BLACK+DECKER más próximo.

- ◆ Retire los filtros viejos como se ha descrito anteriormente.
- ◆ Coloque los nuevos filtros como se ha descrito anteriormente.

Protección del medioambiente



Recogida selectiva. Los productos y las baterías marcadas con este símbolo no deben tirarse junto con los residuos domésticos normales.

Los productos y las baterías contienen materiales que pueden ser recuperados o reciclados, reduciendo así el uso de materias primas.

Recicle los productos eléctricos y las baterías de acuerdo con la normativa local. Puede obtener más información en www.2helpU.com

Datos técnicos

REVSV18D Tipo 1	
Tensión	18 V _{cc}
Vatios-hora	36 Wh (batería de 18 v y 2,0 Ah)
Tiempo de carga aprox.	5 horas
Peso	3 kg

S010**2400040/SSC-250040**	
Cargador	
Voltaje de entrada	V _{ca} 100 - 240
Voltaje de salida	V _{cc} 8 - 20
Corriente	mA 400
Tiempo de carga aproximado	Horas 5

Batería		BDL1518 BDL1518E	BDL2018 BDL2018E	BDL2518 BDL2518E
Tensión	V _{cc}	18	18	18
Capacidad	Ah	1.5	2.0	2.5
Tipo		iones de litio	iones de litio	iones de litio

Garantía

Black & Decker confía en la calidad de sus productos y ofrece a los consumidores una garantía de 24 meses a partir de la fecha de compra. Esta garantía es complementaria y en ningún caso afectará a sus derechos estatutarios. La garantía es válida en los territorios de los Estados Miembros de la Unión Europea, el Área de Libre Comercio Europea y Reino Unido.

Para reclamar la garantía, deberá formular la reclamación de conformidad con las condiciones de Black & Decker, presentando el comprobante de compra al vendedor o al agente técnico autorizado.

Puede obtener las condiciones de la garantía de 2 años de Black & Decker y la ubicación de su agente técnico autorizado más próximos en el sitio web www.2helpU.com o poniéndose en contacto con su oficina local de Black & Decker en la dirección que se indica en este manual.

Visite nuestro sitio web www.blackanddecker.eu para registrar su nuevo producto Black & Decker y recibir noticias sobre nuevos productos y ofertas especiales.

(Tradução das instruções originais)

Utilização pretendida

O aspirador sem fio REVSV18D, REVSV18D1HF da BLACK+DECKER foi concebido para limpeza a vácuo. Este equipamento destina-se apenas a utilização doméstica.



Leia com atenção todo o manual antes de utilizar o equipamento.

Instruções de segurança



Atenção! Leia todos os avisos de segurança e todas as instruções. O não cumprimento dos seguintes avisos e instruções pode resultar em choque eléctrico, incêndio e/ou ferimentos graves.

- ◆ A utilização pretendida para este equipamento está descrita neste manual.

A utilização de qualquer acessório ou dispositivo adicional ou a execução de qualquer operação com este equipamento que não esteja incluída no presente manual de instruções pode representar um risco de ferimentos.

- ◆ Guarde este manual para referência futura.
- ◆ Este equipamento contém baterias que só podem ser substituídas por pessoas especializadas.

Utilizar o equipamento

- ◆ Não utilize este equipamento para aspirar líquidos ou quaisquer materiais combustíveis.
- ◆ Não utilize o depósito de pó e/ou os filtros não estiverem instalados
- ◆ Não utilize o equipamento perto de água.
- ◆ Não mergulhe o equipamento em água.
- ◆ Não insira objectos nas aberturas. Não utilize se algum orifício estiver bloqueado; mantenha-o limpo de pó, fios, cabelos e qualquer substância que possa reduzir o fluxo do ar.
- ◆ Mantenha o cabelo, roupa larga, dedos e todas as partes do corpo afastadas de orifícios e peças em movimento.
- ◆ Nunca puxe pelo cabo do carregador para desligar o carregador da tomada. Mantenha o cabo do carregador afastado do calor, combustíveis e extremidades afiadas.

- ◆ Este equipamento pode ser utilizado por crianças com 8 anos de idade ou mais e por pessoas que apresentem capacidades físicas, sensoriais ou mentais reduzidas ou que não possuam os conhecimentos e a experiência necessários, se forem vigiadas e instruídas acerca da utilização do equipamento de maneira segura e compreenderem os riscos envolvidos. As crianças não devem brincar com o equipamento. A limpeza e manutenção não devem ser efectuadas por crianças sem supervisão.

Inspeção e reparações

Antes da utilização, verifique a existência de peças danificadas ou avariadas no equipamento.

Verifique se há peças partidas, danos nos interruptores ou outro tipo de condições que possam afectar o seu funcionamento.

- ◆ Não utilize o equipamento se alguma das peças estiver danificada ou avariada.
- ◆ Peça para reparar ou substituir quaisquer peças danificadas ou defeituosas por um técnico de reparação autorizado.
- ◆ Verifique regularmente se existem danos no cabo do carregador. Substitua o carregador se o cabo estiver danificado ou com defeitos.
- ◆ Nunca retire ou substitua quaisquer peças que não estejam especificadas neste manual.

Instruções de segurança adicionais

Após a utilização

- ◆ Desligue o carregador antes de limpar o carregador ou a base de carregamento.
- ◆ Quando não estiver a ser utilizado, o equipamento deve ser armazenado num local seco.
- ◆ As crianças não devem ter acesso a equipamentos guardados.

Riscos residuais

Podem surgir riscos residuais adicionais durante a utilização da ferramenta, que podem não constar nos avisos de segurança incluídos. Estes riscos podem resultar de má utilização, utilização prolongada, etc.

Mesmo que os regulamentos de segurança relevantes sejam cumpridos e os dispositivos de segurança sejam implementados, alguns riscos residuais não podem ser evitados. Estes incluem:

- ◆ Ferimentos causados pelo contacto com peças em rotação/movimento.
- ◆ Ferimentos causados durante a substituição de peças, lâminas ou acessórios.
- ◆ Ferimentos causados pela utilização prolongada de uma ferramenta. Se utilizar uma ferramenta durante períodos prolongados, certifique-se de que faz pausas com frequência.
- ◆ Danos auditivos.

- ◆ Problemas de saúde causados pela inalação de poeiras resultantes da utilização da ferramenta (exemplo: trabalhos em madeira, especialmente carvalho, faia e MDF).

Baterias e carregadores

Baterias (podem ser vendidas em separado)

- ◆ As baterias recarregáveis devem ser retiradas do equipamento antes de serem carregadas.
- ◆ As baterias devem ser inseridas de acordo com a polaridade correcta.
- ◆ As baterias gastas devem ser retiradas do equipamento e eliminadas em segurança.
- ◆ Se for necessário armazenar o equipamento durante um período prolongado, é necessário retirar as baterias.
- ◆ Os terminais de alimentação não devem ser colocados em curto-circuito.
- ◆ Nunca tente abrir a bateria, seja qual for o motivo.
- ◆ Não exponha a bateria à água.
- ◆ Não exponha a bateria ao calor.
- ◆ Não armazene em locais onde a temperatura possa exceder os 40 °C.
- ◆ Carregue apenas a temperaturas ambiente entre 10 °C e 40 °C.
- ◆ Carregue apenas com o carregador fornecido com o equipamento/ferramenta.

A utilização do carregador errado pode resultar em choque eléctrico ou sobreaquecimento da bateria.

- ◆ Quando eliminar as baterias, siga as instruções indicadas na secção “Protecção do ambiente”.
- ◆ Não danifique a bateria por perfuração ou impacto, porque pode causar ferimentos e incêndio.
- ◆ Não carregue baterias danificadas.
- ◆ Em condições extremas, pode ocorrer uma fuga nas baterias. Se detectar a fuga de líquido das baterias, limpe o líquido cuidadosamente com um pano. Evite o contacto com a pele.
- ◆ Em caso de contacto com a pele ou os olhos, siga as instruções seguintes.

Atenção! O electrólito da bateria pode causar ferimentos ou danos materiais.

Em caso de contacto com a pele, enxagúe imediatamente com água. Em caso de vermelhidão, dor ou irritação, contacte um médico.

Se entrar em contacto com os olhos, enxagúe imediatamente com água limpa e procure ajuda médica.

Carregadores (podem ser vendidos em separado)

O carregador foi concebido para uma tensão específica. Verifique sempre se a tensão de alimentação corresponde à tensão indicada na placa de especificações e as informações indicadas na tabela de dados técnicos.

Atenção! Nunca substitua a unidade do carregador por uma tomada de alimentação normal.

- ◆ Utilize o carregador da BLACK+DECKER apenas para carregar a bateria do equipamento/ferramenta com que foi fornecido. Outras baterias podem rebentar, provocando ferimentos e danos.
- ◆ Nunca tente carregar baterias não recarregáveis.
- ◆ Se o cabo de alimentação estiver danificado, terá de ser substituído pelo fabricante ou por um centro de assistência autorizado da BLACK+DECKER, de modo a evitar situações de perigo.
- ◆ Não exponha o carregador à água.
- ◆ Não abra o carregador.
- ◆ Não manipule o interior do carregador.
- ◆ O equipamento/ferramenta/bateria deve ser colocada numa área com ventilação adequada durante o carregamento.

Segurança eléctrica

Símbolos no carregador



Leia com atenção o manual na íntegra antes de utilizar o equipamento.



Esta ferramenta tem isolamento duplo. Por esse motivo, não necessita de ligação à terra. Verifique sempre se a fonte de alimentação corresponde à tensão indicada na placa sinalética.



A base de carregamento destina-se exclusivamente a uma utilização em interiores.

Etiquetas no equipamento

O equipamento apresenta os seguintes símbolos juntamente com o código de data



Leia cuidadosamente o manual completo antes de utilizar este equipamento



Mantenha o cabelo afastado de escovas, aberturas e outras peças móveis

Acessórios

Esta ferramenta inclui alguns ou todos os seguintes acessórios.

1. Interruptor para ligar/desligar
2. Pega principal
3. Indicador do estado de carga
4. Patilha de desbloqueio do depósito de pó
5. Limpar o depósito de pó
6. Conjunto de filtro ciclónico
7. Patilha de libertação da extensão telescópica
8. Extensão telescópica
9. Escova de aspiração (com sensor de piso integrado)
- 9b. Barra batidora
10. Patilha de libertação da escova rotativa
11. Patilha de libertação da escova de aspiração
12. Bico
13. Carregador
14. Estação de armazenamento
15. Bateria
16. Patilha de libertação da bateria
17. Unidade principal
18. Barra batidora macia (somente REVS18D1HF)

Utilização

Carregar a bateria (Fig. A, B)

O carregador padrão fornecido permite carregar uma bateria totalmente descarregada em cerca de 5 horas

- ◆ Ligue o carregador (13) numa tomada adequada antes de inserir a bateria (15).
- ◆ Insira a bateria (15) no carregador (13), como indicado na Figura A.
- ◆ O LED verde (13a) começa a piscar, o que indica que a bateria está a ser carregada.
- ◆ A conclusão do processo de carregamento é indicada pelo LED verde (13a), que permanece ligado de maneira contínua. A bateria fica totalmente carregada e pode ser utilizada nesta altura ou pode deixá-la no carregador.

Nota: Após a utilização, recarregue as baterias descarregadas assim que possível, caso contrário a duração da bateria pode diminuir consideravelmente.

Nota: O carregador e a bateria podem permanecer ligados com o LED verde aceso indefinidamente.

O carregador mantém a bateria nova e totalmente carregada.

Notas importantes sobre carregamento

- ◆ É possível aumentar a duração da bateria e obter o melhor desempenho se esta for carregada a uma temperatura ambiente que se situe entre 18 ° e 24 °C. NÃO carregue a bateria se a temperatura ambiente for inferior a +4,5 °C ou superior a 40,5 °C. Isto é importante e impede danos graves na bateria.
- ◆ O carregador e a bateria podem ficar demasiado quentes durante o carregamento. Isto é normal e não representa um problema. Para facilitar o arrefecimento da bateria,

evite colocar o carregador ou a bateria num local quente, como num barracão metálico ou num reboque não isolado.

- ◆ Se a bateria não carregar correctamente:
 - ◆ Verifique a corrente no receptáculo, ligando uma lâmpada ou outro equipamento.
 - ◆ Verifique se a tomada está ligada a um interruptor de luz que se desliga quando apaga as luzes.
 - ◆ Coloque o carregador e a bateria num local onde a temperatura do ar ambiente varie aproximadamente entre 18 ° e 24 °C.
 - ◆ Se os problemas de carregamento persistirem, leve a ferramenta, a bateria e o carregador para um centro de assistência local.
- ◆ A bateria deve ser recarregada se não fornecer energia suficiente durante trabalhos que tenham sido efectuados facilmente. NÃO CONTINUE a utilizar o equipamento nestas condições. Siga o procedimento de carregamento. Pode também carregar uma bateria parcialmente utilizada sempre que quiser, porque não afecta a bateria.
- ◆ Os materiais estranhos condutores como, por exemplo, mas não limitado a, lâ de aço, folha de alumínio ou qualquer acumulação de partículas metálicas devem ser removidos dos orifícios do carregador. Desligue sempre o carregador da fonte de alimentação quando não estiver inserida uma bateria no respectivo compartimento. Desligue o carregador antes de proceder à limpeza.
- ◆ Não congele nem coloque o carregador dentro de água ou de outros líquidos.

Atenção! Não permita a entrada de líquidos no carregador. Nunca tente abrir a bateria, seja qual for o motivo. Se a estrutura de plástico da bateria se partir ou rachar, envie o aparelho para um centro de assistência para reciclagem.

Indicador do estado da carga (Fig. C)

Este equipamento inclui um indicador de nível de carga (3), composto por três indicadores luminosos LED que indicam o nível de carga restante na bateria. Esta funcionalidade é activada apenas se o aspirador estiver ligado e a carregar.

O indicador do estado de carga é uma indicação aproximada dos níveis de carga restante na bateria.

O indicador LED da bateria mostra a carga restante e avisa-o quando a bateria está baixa.

O último LED pisca de maneira contínua quando houver apenas um tempo de execução muito curto restante.

Nota: O indicador do nível de carga é apenas uma indicação da carga restante na bateria.

Não indica o funcionamento da ferramenta e está sujeito a variações, com base nos componentes do produto, temperatura e aplicação do utilizador final.

Instalar e retirar a bateria (Fig. D)

Atenção! Certifique-se de que desliga o aspirador antes de retirar ou instalar a bateria.

Instalar a bateria

- ◆ Insira a bateria (15) no aspirador (15b) até ouvir um som de encaixe (Figura D). Certifique-se de que a bateria está totalmente encaixada na posição.

Retirar a bateria

- ◆ Carregue na patilha de libertação da bateria (16), como indicado na Figura D e retire a bateria do aspirador.

Montagem (Fig. E, F, G)

Este aspirador pode ser utilizado de uma de quatro maneiras.

- ◆ Com o tubo da extensão e a escova de aspiração, como indicado na Figura E.
 - ◆ Alinhe a parte superior do tubo da extensão (8) com a entrada de vácuo na unidade principal, como indicado na Figura E.
 - ◆ Insira o tubo da extensão (8) na entrada de vácuo para que fique encaixado na respectiva posição.
 - ◆ Alinhe a parte inferior do tubo da extensão (8) com a escova de aspiração (9), como indicado na Figura D.
 - ◆ Insira a parte inferior do tubo da extensão (8) na escova de aspiração (9) para que fique encaixado na respectiva posição.
 - ◆ Para retirar o tubo, carregue na patilha de libertação da extensão telescópica (7) situada no tubo de extensão e puxe com cuidado o acessório ligado.
- ◆ Com a unidade principal e a escova de aspiração, como indicado na Figura F.
- ◆ Com o tubo da extensão e a escova de aspiração, como indicado na Figura G (3).
- ◆ Com a unidade principal e o bico, como indicado na Fig. G(4).

Atenção! Quando não utilizar o equipamento, vire a parte traseira do aspirador para a parede para que, na eventualidade de queda inesperada, o aspirador caia na direcção da parede e não de pessoas ou animais de estimação.

Ligar e desligar (Fig. H)

- ◆ Para ligar, carregue no botão para ligar/desligar (1) uma vez. A unidade é iniciada no modo Floorsense; para utilizar apenas o modo de velocidade elevada, carregue no botão novamente.
- ◆ Para aumentar a potência, carregue no botão para ligar/desligar (1) uma segunda vez.
- ◆ Carregue no botão para ligar/desligar (1) uma terceira vez para desligar a unidade.

Nota: O estado dos indicadores LED de carga (3) acende-se quando o aspirador é ligado.

- ◆ Depois de utilizar o equipamento, carregue a bateria (15) de imediato para que esteja pronto e totalmente carregado para a utilização seguinte.

Floorsense

O modo Floorsense é activado na velocidade reduzida. Quando um tapete é detectado, o desempenho da unidade aumenta automaticamente para velocidade elevada. Quando é detectado um piso duro, o desempenho da unidade diminui para velocidade reduzida.

Limpar e esvaziar o aspirador

Atenção! Risco de projecteis/respiratório: Nunca utilize o aspirador sem o filtro.

Atenção! O filtro é reutilizável, não o confunda com os sacos de poeira descartáveis e não o deite fora quando a ferramenta for limpa. Recomendamos que substitua o filtro a cada 6 a 9 meses, dependendo da frequência de utilização.

Esvaziar o recipiente de pó (Fig. I, J, K, L)

- ◆ Pressione a patilha de libertação do recipiente de pó (4) para soltar e remover o recipiente de pó (5) do aspirador.
- ◆ Com o polegar e o indicador, agarre nas patilhas do alojamento do filtro (6), e retire-o do recipiente de pó, como indicado na Figura J.
- ◆ Coloque o recipiente de pó sobre um caixote do lixo e esvazie-o conforme ilustrado na Figura K.
- ◆ Retire o filtro de espuma (6a) do alojamento do filtro (6), como indicado na Figura L.
- ◆ Agite ou escove ligeiramente qualquer pó solto do alojamento do filtro de espuma e do filtro.
- ◆ Enxágue o recipiente de pó (5) com água quente com sabão.
- ◆ Lave os filtros com água morna com sabão.
- ◆ Os filtros devem estar totalmente secos antes de voltar a instalá-los no alojamento do filtro.
- ◆ Volte a instalar o filtro de espuma (6a) limpo e seco no alojamento do filtro (6).
- ◆ Instale o alojamento do filtro no recipiente de pó (5).
- ◆ Encaixe o recipiente de pó no aspirador, até encaixar com firmeza na respectiva posição.

Remover e limpar a escova rotativa (Fig. M, N, O, P)

Atenção! Para reduzir o risco de ferimentos causados pelas peças móveis, retire a escova de aspiração e o tubo da extensão do aspirador antes de proceder à limpeza ou assistência.

- ◆ Para retirar a escova rotativa (9b ou 18) da escova de aspiração (9), encaixe a patilha de libertação da escova rotativa (10) na parte de trás da unidade.
- ◆ A escova rotativa (9b ou 18) pode ser removida e limpa.

Armazenamento seguro (Fig. Q)

A unidade pode ser armazenada em segurança, quando não estiver a ser utilizada, colocando a presilha na parte de trás da unidade principal na estação de armazenamento (14), como indicado na Figura Q.

Atenção! Quando não utilizar o equipamento, vire a parte traseira do aspirador para a parede para que, na eventualidade de queda inesperada, o aspirador caia na direcção da parede e não de pessoas ou animais de estimação.

Resolução de problemas

Problema	Causa possível	Solução possível
A unidade não é iniciada.	A bateria não foi colocada correctamente. A bateria não está carregada.	Verifique a instalação da bateria. Verifique os requisitos para carregar a bateria
A bateria não carrega.	A bateria não foi introduzida no carregador. Carregador não ligado. A temperatura de ar circundante é demasiado quente ou fria.	Insira a bateria no carregador até o LED acender-se. Ligue o carregador à tomada. Consulte "Notas importantes sobre carregamento" para obter mais informações. Verifique a corrente no receptáculo, ligando uma lâmpada ou outro aparelho. Verifique se a tomada está ligada a um interruptor de luz que se desliga quando apaga as luzes. Coloque o carregador e a ferramenta num local a uma temperatura ambiente superior a 4,5 °C ou inferior a 40,5 °C.

Manutenção

Este equipamento da BLACK+DECKER sem fio foi concebido para funcionar durante um longo período de tempo com uma manutenção mínima. Uma utilização continuamente satisfatória depende de uma manutenção adequada da ferramenta e de uma limpeza frequente.

Atenção! Antes de executar qualquer manutenção em equipamentos sem fio:

- ◆ Desligue a unidade e retire a bateria.
- ◆ Desligue o carregador antes de limpá-lo. Além da limpeza frequente, o carregador não necessita de manutenção.
- ◆ Limpe com frequência as aberturas de ventilação do equipamento/carregador com uma escova suave ou um pano seco.
- ◆ Limpe regularmente o compartimento do motor com um pano húmido. Não utilize produtos de limpeza abrasivos ou à base de solventes.

Substituição dos filtros

Os filtros devem ser substituídos a cada 6 a 9 meses e sempre que estiverem gastos ou danificados. Os filtros sobresselelentes estão disponíveis junto do seu revendedor da BLACK+DECKER.

- ◆ Retire os filtros usados como indicado acima.
- ◆ Coloque os filtros novos como indicado acima.

Protecção do ambiente



Recolha selectiva. Os produtos e as baterias assinalados com este símbolo não devem ser eliminados em conjunto com o lixo doméstico normal.

Os produtos e baterias contêm materiais que podem ser recuperados ou reciclados, reduzindo a procura de matéria-prima.

Recicle os produtos eléctricos e as baterias de acordo com as disposições locais. Estão disponíveis mais informações em www.2helpU.com

Dados técnicos

REVS18D tipo 1	
Tensão	18 V _{cc}
Watt-horas	36 Wh (bateria de 18 V, 2,0 Ah)
Tempo de carga aprox.	5 horas
Peso	3 kg

Carregador		S010**240040/SSC-250040**
Tensão de entrada	V _{ca}	100 - 240
Tensão de saída	V _{cc}	8 - 20
Corrente	mA	400
Tempo de carga aprox.	Horas	5

Bateria		BDL1518 BDL1518E	BDL2018 BDL2018E	BDL2518 BDL2518E
Tensão	V _{cc}	18	18	18
Capacidade	Ah	1,5	2,0	2,5
Tipo		lões de lítio	lões de lítio	lões de lítio

Garantia

A Black & Decker confia na qualidade dos seus produtos e oferece aos clientes uma garantia de 24 meses a partir da data de compra. Esta garantia é um complemento dos seus direitos estabelecidos por lei, não os prejudicando de forma alguma. A garantia é válida nos territórios dos Estados-membros da União Europeia, da Zona Europeia de Comércio Livre e no Reino Unido.

Para accionar a garantia, esta deve estar em conformidade com os termos e condições da Black&Decker e terá de apresentar o comprovativo de compra ao vendedor ou a um técnico de reparação autorizado.

Os termos e condições da garantia de 2 anos da Black & Decker e a localização do seu técnico de reparação podem ser obtidos na Internet no Website www.2helpU.com ou contactando o escritório local da Black & Decker na morada indicada neste manual.

Visite o nosso Website www.blackanddecker.eu para registar o seu novo produto da Black & Decker e receber actualizações sobre novos produtos e ofertas especiais.

Avsedd användning

Dessa BLACK+DECKER REVSU18D, REVSU18D1HF sladdlösa dammsugare har designats för dammsugning. Apparaten är endast avsedd för hemmabruk.



Läs hela den här bruksanvisningen noggrant innan du börjar använda apparaten.

Säkerhetsinstruktioner



Varning! Läs alla säkerhetsvarningar och instruktioner. Underlåtenhet att följa de nedanstående varningarna och instruktionerna kan resultera i elektrisk stöt, eldsvåda och/eller allvarlig personskada.

- ◆ Avsedd användning beskrivs i den här bruksanvisningen. Användning av andra tillbehör eller tillsatser eller andra åtgärder som utförs med redskapet än de som rekommenderas i den här bruksanvisningen kan leda till personskador.
- ◆ Spara den här bruksanvisningen för framtida referens.
- ◆ Det här redskapet innehåller batterier som endast får bytas av utbildad personal.

Använda apparaten

- ◆ Använd inte apparaten för att suga upp vätskor eller material som kan fatta eld.
- ◆ Använd inte utan dammbehållare och/eller filtret på plats
- ◆ Använd inte apparaten i närheten av vatten.
- ◆ Doppa inte apparaten i vatten.
- ◆ För inte in några föremål i öppningarna. Använd den inte om någon öppning är blockerad; håll öppningarna fria från bomulls fibrer, hår och övrigt som kan minska luftflödet.
- ◆ Håll hår, lössittande kläder, fingrar och övriga kroppsdelar undan från öppningar och rörliga delar.
- ◆ Dra aldrig i sladden till laddaren när du drar ut den från vägguttaget. Håll sladden till laddaren borta från värme, olja och vassa kanter.
- ◆ Denna apparat kan användas av barn från 8 år och personer med nedsatt fysisk eller psykisk förmåga eller bristande erfarenhet eller kunskap, om de övervakas eller får instruktioner om hur apparaten används och är medvetna om riskerna. Barn får inte leka med apparaten. Rengöring och användarunderhåll ska inte utföras av barn utan övervakning.

Kontroll och reparationer

Innan användning bör du kontrollera att apparaten är hel och att inga delar är skadade.

Kontrollera att inga delar är trasiga, att strömbrytaren fungerar och att inget annat föreligger som kan påverka dess funktion.

- ◆ Använd inte apparaten om någon del är skadad eller defekt.
- ◆ Reparera eller byt ut skadade eller trasiga delar på en auktoriserad verkstad.
- ◆ Kontrollera regelbundet att sladden till laddaren inte har skadats. Byt ut laddaren om sladden är skadad eller trasig.
- ◆ Försök aldrig ta bort eller byta ut andra delar än de som anges i den här bruksanvisningen.

Ytterligare säkerhetsinstruktioner

Efter användning

- ◆ Koppla ifrån laddaren innan laddaren eller laddningsbasen rengörs.
- ◆ När den inte används bör apparaten förvaras på en torr plats.
- ◆ Barn ska inte kunna komma åt apparater som förvaras.

Återstående risker

Ytterligare risker som inte finns med i de bifogade säkerhetsanvisningarna kan uppstå när verktyget används. Dessa risker kan uppstå vid felaktig eller långvarig användning, etc. Även om alla relevanta säkerhetsanvisningar följs och säkerhetsanordningar används kan vissa ytterligare risker inte undvikas. Dessa omfattar:

- ◆ Skador orsakade av att roterande/rörliga delar vidrörs.
- ◆ Skador som uppstår vid byte av delar, blad eller tillbehör.
- ◆ Skador som orsakas av långvarig användning av ett verktyg. Se till att regelbundet ta vilopauser när du använder ett verktyg under en längre period.
- ◆ Hörselnedsättning.
- ◆ Hälsorisker orsakade av inandning av damm när redskapet används (exempel: arbete med trä, särskilt ek, bok och MDF.)

Batteri och laddare

Batterier (kan säljas separat)

- ◆ Laddningsbara batterier ska tas bort från apparaten innan de laddas.
- ◆ Batterierna ska sättas in med rätt polaritet.
- ◆ Utslitna batterier ska tas bort från apparaten och kasseras på ett säkert sätt.
- ◆ Om apparaten ska förvaras oanvänd under en lång period ska batterierna tas bort.
- ◆ Terminalerna får inte kortslutas.
- ◆ Försök aldrig öppna batteriet.
- ◆ Utsätt inte batteriet för vatten.
- ◆ Utsätt inte batteriet för värme.
- ◆ Förvara inte apparaten på platser där temperaturen kan bli högre än 40 °C.
- ◆ Ladda endast vid temperaturer mellan 10 °C och 40 °C.
- ◆ Ladda endast med hjälp av laddaren som medföljer apparaten/verktyget.

Användning av fel laddare kan resultera i en elektrisk stöt eller att batteriet överhettas.

- ◆ Följ instruktionerna som anges i avsnittet "Miljö" när du kastar batterierna.
- ◆ Skydda batteriet från skador/ deformationer i form av slag och stötar eftersom det kan leda till personskador eller eldsvåda.
- ◆ Ladda inte skadade batterier.
- ◆ Under extrema förhållanden kan batterierna läcka. Om det finns vätska på batterierna ska du torka bort vätskan försiktigt med en trasa. Undvik hudkontakt.
- ◆ Vid kontakt med hud eller ögon, följ instruktionerna nedan.

Varning! Batterivätskan kan orsaka person- eller materialskador.

Vid hudkontakt, skölj genast med vatten.

Vid rodnader, smärta eller irritation ska läkare uppsökas. Vid kontakt med ögonen, skölj genast med rent vatten och uppsök läkare.

Laddare (kan säljas separat)

Laddaren är avsedd för en viss spänning. Kontrollera alltid att nätspänningen överensstämmer med spänningen på typskylten och informationen i tabellen med tekniska data.

Varning! Försök aldrig byta ut laddaren mot en vanlig nätkontakt.

- ◆ Använd endast laddaren från BLACK+DECKER för att ladda batteriet i apparaten/verkytget som den levererades med.

Andra batterier kan spricka och orsaka personskador och andra skador.

- ◆ Försök aldrig ladda batterier som inte är uppladdningsbara.
- ◆ Om nätsladden är skadad så måste den bytas ut av tillverkaren eller en auktoriserad BLACK+DECKER-verkstad för att undvika risker.
- ◆ Utsätt inte laddaren för vatten.
- ◆ Öppna inte laddaren.
- ◆ Gör ingen åverkan på laddaren.
- ◆ Apparaten/verkytget/batteriet ska placeras på en plats med god ventilation vid laddning.

Elsäkerhet

Symboler på laddaren



Läs hela den här bruksanvisningen noggrant innan du använder redskapet.



Detta verktyg är dubbelt isolerat; av den orsaken krävs ingen jordledning. Kontrollera alltid att spänningen på nätet motsvarar den spänning som finns angiven på märkplattan.



Laddaren är endast avsedd för användning inomhus.

Etiketter på apparaten

Följande symboler finns på denna apparat tillsammans med datumkoden



Läs hela den här bruksanvisningen noggrant innan du använder apparaten



Håll håret borta från borstar, öppningar och andra rörliga delar

Funktioner

Det här verktyget har några eller samtliga av följande funktioner.

1. Strömbytare
2. Huvudhandtag
3. Laddningsstatus
4. Frigöringsknapp för dammbehållare
5. Klar dammbehållare
6. Cykloniskt filteraggregat

7. Förlängningsstångens frigöringsknapp
8. Förlängningsstång
9. Golvhuvud (med inbyggd golvsensor)
- 9b. Beater bar
10. Frigöringsknapp för borstenhet
11. Golvhuvudfrigöringsknapp
12. Elementmunstycke
13. Laddare
14. Förvaringsstation
15. Batteri
16. Låsknapp batteri
17. Huvudenhet
18. Mjuk valsvispstång (endast REVS18D1HF)

Användning

Ladda batteriet (bild A, B)

Standardladdaren som medföljer laddar ett helt tomt batteri på ca 5 timmar

- ◆ Koppla in laddaren (13) i lämpligt uttag innan batteriet (15) sätts i.
- ◆ Sätt in batteriet (15) i laddaren (13) på det sätt som bild A visar.
- ◆ Den gröna LED (13a) blinkar vilket indikerar att batteriet laddas.
- ◆ När laddningen är klar indikeras detta av att den gröna LED (13a) lyser kontinuerligt. Batteriet är fulladdat och kan nu användas eller lämnas i laddaren.

Observera: Ladda urladdade batterier så snart som möjligt efter användning, i annat fall kan batterilivslängden minska betydligt.

Observera: Laddaren och batteriet kan vara ansluten till vägguttaget hur länge som helst när den gröna LED-indikatorn lyser. Laddaren ser till att batteriet hålls fräscht och fulladdat.

Viktiga laddningsnoteringar

- ◆ Längst livslängd och bäst prestanda kan erhållas om batteriet laddas när lufttemperaturen är mellan 18-24 °C. Ladda inte batteriet i en lufttemperatur under +4,5 °C eller över +40,5 °C. Detta är viktigt eftersom det förhindrar allvarlig skada på batteriet.
- ◆ Laddaren och batteriet kan bli för varma att vidröra under laddningen. Detta är normalt och indikerar inte något problem. För att möjliggöra kylning av batteriet, undvik att placera laddaren eller batteriet på en varm plats såsom i ett metallskjul eller i en oisolerad vagn.
- ◆ Om batteriet inte laddas korrekt:
 - ◆ Kontrollera strömmen i uttaget genom att ansluta en lampa eller någon annan apparat.
 - ◆ Kontrollera om uttaget är anslutet till en strömbrytare som stänger av strömmen när du släcker lamporna.
 - ◆ Flytta laddaren och batteriet till en plats där den omgivande temperaturen är ungefär 18-24 °C.

- ◆ Om laddningsproblemen kvarstår, lämna apparaten, batteriet och laddaren till ditt lokala servicecenter.
- ◆ Batteriet måste laddas när de inte längre kan producera tillräckligt med energi för ett arbete som det problemlöst klarade av tidigare. FORTSÄTT INTE att använda det under dessa förhållanden. Följ laddningsproceduren. Du kan också ladda ett delvis använt paket när du så önskar utan att det har någon negativ effekt på batteriet.
- ◆ Främmande föremål som är ledande såsom, men inte begränsat till, stålull, aluminiumfolie eller ansamling av metallpartiklar bör hållas borta från laddningshållrummet. Koppla alltid ifrån laddaren från eluttaget när det inte finns något batteri i hållrummet. Koppla ifrån laddaren vid rengöring.
- ◆ Frys inte eller sänk ned laddaren i vatten eller annan vätska.

Varning! Låt ingen vätska komma in i laddaren. Försök aldrig att öppna batteriet av någon anledning. Om plasthöljet på batteriet går sönder eller spricker, lämna det till ett servicecenter för återvinning.

Indikator laddningsstatus (bild C)

Apparaten inkluderar en laddningsindikator (3) vilken består av tre gröna LED-lampor som indikerar laddningsnivån som finns kvar i batteriet. Den här funktionen aktiveras endast när dammsugaren är påslagen och när dammsugaren laddas. Laddningsindikatorns status indikerar den ungefärliga laddningsnivån som återstår i batteriet.

LED-batteriidikatorn visar återstående laddning och varnar dig när batteriet börjar ladda ur.

Den sista lysdioden blinkar kontinuerligt när det bara återstår mycket kort körtid.

Observera: Laddningsmätarens status är endast en indikering på laddning som finns kvar i batteriet.

Den indikerar inte verktygets funktionalitet och kan variera baserat på produktkomponenter, temperatur och slutanvändarens användning.

Installera och ta bort batteriet (bild D)

Varning! Se till att dammsugaren är avstängd innan du tar bort eller installerar batteriet.

Installera batteri

- ◆ Skjut in ett batteri (15) i dammsugaren (15b) tills ett ljudligt klick hörs (bild D). Se till att batteriet sitter helt på plats och är låst i positionen.

Att ta bort batteriet

- ◆ Tryck ned batterilåsknappen (16) såsom visas i bild D och dra bort batteriet från dammsugaren.

Montering (bild D, E, F, G)

Denna dammsugare kan användas på ett av fyra sätt.

- ◆ Med förlängningsröret och golvmunstycket som visas i figur E.

- ◆ Rikta in toppen av förlängningsröret (8) med dammsugaringången på huvudenheten som visas i figur E.
- ◆ Skjut in förlängningsröret (8) på dammsugaringången så att det låses i läge.
- ◆ Rikta in botten av förlängningsröret (8) med golvmunstycket (9) som visas i figur E.
- ◆ Skjut botten av förlängningsröret (8) på golvmunstycket (9) så att det låses i läge.
- ◆ För att ta bort röret, tryck på förlängningsstängens frigöringsknapp (7) på dammsugaringången eller botten av förlängningsröret och dra försiktigt bort det anslutna tillbehöret.
- ◆ Med huvudenheten och golvmunstycket som visas i figur F.
- ◆ Med förlängningsröret och elementmunstycket som visas i bild G (3).
- ◆ Med huvudenheten och spaltverktygstillbehöret som visas i bild G(4).

Varning! När den inte används, placera enheten med baksidan av dammsugaren riktad mot väggen så att den inte oavsiktligt faller, den ska ha kontakt med väggen, inte med personer eller husdjur.

Slå på och stänga av (bild H)

- ◆ För att slå PÅ, tryck på strömbrytaren (1) en gång och enheten startar i floorsense-läge, för bara höghastighetsläge, tryck på knappen igen.
- ◆ Öka effekten genom att trycka på strömbrytaren (1) en andra gång.
- ◆ Tryck på strömbrytaren (1) en tredje gång för att stänga av enheten.

Observera: LED-lamporna för laddningstillståndet (3) kommer att lysa medan dammsugaren är PÅ.

- ◆ Ladda batteriet (15) omedelbart efter användning så att den är redo att användas och fulladdad för nästa användning.

Floorsense

Floorsense är aktiv i den låga hastigheten. När en matta upptäcks höjs enhetens prestanda automatiskt till hög hastighet. När ett hårt golv upptäcks sänks enhetens prestanda automatiskt till låg hastighet.

Rengöring och tömning av dammsugaren

Varning! Projektil-/andningsrisk: Använd aldrig dammsugaren utan filtert.

Varning! Filtert är återanvändningsbart, blanda inte ihop dem med dammpåsen som kastas och kasta inte bort det när produkten töms. Vi rekommenderar att filtert byts var 6-9 månad beroende på hur ofta dammsugaren används.

Tömma dammbehållaren (bild I, J, K, L)

- ◆ Tryck ned dammbehållarens frigöringsknapp (4) för att frigöra och ta bort dammbehållaren (5) från dammsugaren.
- ◆ Använd pekfingeret och tummen för att ta tag i fingerflikarna och dra filterhuset (6) från dammbehållaren som visas i bild J.
- ◆ Placera dammbehållaren över en papperskorg och töm dammbehållaren som visas i figur K.
- ◆ Ta bort skumfiltret (6a) från filterhuset (6) som illustreras i figur L.
- ◆ Skaka eller borsta lätt bort eventuellt löst damm från skumfilterhuset och filtret.
- ◆ Skölj dammbehållaren (5) med varmt såpvatten.
- ◆ Rengör filtren med varmt såpvatten.
- ◆ Se till att filtren är helt torra innan du sätter tillbaka filtren i filterhuset.
- ◆ Sätt tillbaka det rena och torra skumfiltret (6a) i filterhuset (6).
- ◆ Installera filterhuset i dammbehållaren (5).
- ◆ Montera dammbehållaren och låt den klicka fast på plats.

Borttagning av borstvalsen (bild M, N, O, P)

Varning! För att minska risken för skador från rörliga delar, koppla bort golvmunstycket och förlängningsröret från dammsugaren innan rengöring eller service.

- ◆ För att ta bort den roterande borstenheten (9b eller 18) från golvhuvudet (9) Skjut borstenhetens frigöringsknapp (10) till baksidan av enheten.
- ◆ Den roterande borstenheten (9b eller 18) kan nu tas bort och rengöras.

Säker förvaring (bild Q)

Enheten kan förvaras säkert, när den inte används, genom att placera spärren på baksidan av huvudenheten på förvaringsstationen (14) som visas i figur Q.

Varning! När den inte används, placera enheten med baksidan av dammsugaren riktad mot väggen så att den inte oavsiktligt faller, den ska ha kontakt med väggen, inte med personer eller husdjur.

Felsökning

Problem	Möjlig orsak	Möjlig lösning
Enheten startar inte.	Batteriet är inte korrekt installerat. Batteriet är inte laddat.	Kontrollera batteriets installation. Kontrollera batteriets laddningskrav

Problem	Möjlig orsak	Möjlig lösning
Batteriet går inte att ladda.	Batteriet är inte isatt i laddaren. Laddaren är inte ansluten till elnätet. Omgivande temperatur är för varm eller för kall.	Sätt i batteriet i laddaren tills en LED tänds. Anslut laddaren till ett fungerande eluttag. Se "Viktiga anmärkningar gällande laddning" för närmare information. Kontrollera eluttaget genom att ansluta en lampa eller någon annan apparat. Kontrollera om uttaget är anslutet till en ljusbrytare som stänger av strömmen när du slår på lamporna. Flytta laddaren och verktyget till en omgivande lufttemperatur över 4,5 °C eller lägre än +40,5 °C.

REVS18D typ 1	
Laddningstid cirka	5 timmar
Vikt	3 kg

Laddare	S010**2400040/SSC-250040**	
Inspänning	V_{ac}	100 - 240
Utspänning	V_{dc}	8 - 20
Strömstyrka	mA	400
Laddningstid cirka	Timmar	5

Batteri		BDL1518 BDL1518E	BDL2018 BDL2018E	BDL2518 BDL2518E
Spänning	V_{dc}	18	18	18
Kapacitet	Ah	1,5	2,0	2,5
Typ		Litiumjon	Litiumjon	Litiumjon

Underhåll

Den här sladdlösa BLACK+DECKER-apparaten har konstruerats för att fungera under lång tid med minsta möjliga underhåll. Kontinuerlig tillfredsställande drift är beroende av ordentlig verktygsvård och regelbunden rengöring.

Varning! Innan du utför underhåll på apparater utan sladd:

- ◆ Stäng av enheten och ta bort batteriet.
- ◆ Koppla bort laddaren från eluttaget innan du rengör den. Laddaren behöver inget annat underhåll än regelbunden rengöring.
- ◆ Rengör regelbundet apparatens/laddarens luftintag med en mjuk borste eller torr trasa.
- ◆ Rengör motorhöljet regelbundet med en fuktig trasa. Använd aldrig något slipande eller lösningsmedelsbaserat rengöringsmedel.

Byta filtren

Filtren bör bytas ut var sjätte till nionde månad, eller om de är utslitna eller trasiga. Utbytesfilter finns att köpa hos din BLACK+DECKER-återförsäljare.

- ◆ Ta loss de gamla filtren enligt beskrivningen ovan.
- ◆ Montera de nya filtren enligt beskrivningen ovan.

Miljöskydd



Separat insamling. Produkter och batterier som är markerade med denna symbol får inte kastas i de vanliga hushållssoporna.

Produkter och batterier innehåller material som kan återvinnas och återanvändas vilket minskar behovet av råmaterial.

Återvinn elektriska produkter och batterier i enlighet med lokala bestämmelser. Mer information finns tillgänglig på www.2helpU.com

Tekniska data

REVS18D typ 1	
Spänning	18V _{dc}
Watt-timmar	36 Wh (18v 2,0 Ah batteri)

Tiltenkt bruk

Din BLACK+DECKER REVS18D, REVS18D1HF trådløse støvsuger er designet for støvsuging. Apparatet er kun tiltenkt for bruk i husholdningen.



Les hele denne håndboken nøye før du bruker apparatet.

Sikkerhetsanvisninger

Advarsel! Les alle sikkerhetsadvarsler og alle instruksjoner. Manglende overholdelse av advarslene og instruksjonene kan resultere i elektrisk sjokk, brann og/eller alvorlig skade.

- ◆ Beregnet bruk er beskrevet i denne bruksanvisningen. Hvis du bruker annet tilbehør, kobler til annet utstyr eller bruker dette apparatet til andre oppgaver enn det som er anbefalt i denne håndboken, kan det føre til fare for personskade.
- ◆ Ta vare på denne bruksanvisningen for fremtidig bruk.
- ◆ Dette apparatet inneholder batterier som bare fagfolk kan skifte.

Bruke produktet

- ◆ Ikke bruk apparatet til å suge opp væske eller materialer som kan ta fyr.
- ◆ Ikke bruk hvis ikke støvskålen og/eller filteret sitter på plass
- ◆ Ikke bruk apparatet i nærheten av vann.
- ◆ Ikke senk apparatet ned i vann.
- ◆ Ikke sett noe i åpningene. Skal ikke brukes med blokkerte åpninger; holdes fri for støv, lo, hår og annet som kan redusere luftstrømmen.

- ◆ Hold hår, løstsittende klær, fingre og andre kroppsdeler unna åpninger og bevegelige deler.
- ◆ Ikke dra i ledningen når du skal fjerne laderen fra stikkkontakten. Hold ledningen til laderen borte fra varmekilder, olje og skarpe kanter.
- ◆ Dette apparatet kan brukes av barn som er 8 år eller eldre samt av personer som har reduserte fysiske, sansemessige eller mentale evner, eller som mangler erfaring og kunnskap, hvis de har tilsyn eller har fått veiledning i bruk av apparatet på en trygg måte og forstår farene som foreligger. Barn skal ikke bruke apparatet som en leke. Rengjøring og bruksvedlikehold skal ikke foretas av barn uten tilsyn.

Kontroll og reparasjon

Kontroller at apparatet ikke er skadet eller har defekte deler før du bruker det. Kontroller om noen av delene har sprekker, om bryterne er skadet, eller om det er andre forhold som kan påvirke bruken.

- ◆ Ikke bruk produktet hvis noen del er skadet eller defekt.
- ◆ Overlat reparasjon eller utskifting av skadede deler til et autorisert serviceverksted.
- ◆ Kontroller jevnlig om ledningen til laderen er skadet. Skift ut laderen hvis ledningen er skadet eller defekt.
- ◆ Forsøk aldri å fjerne eller skifte ut andre deler enn dem som er oppgitt i denne bruksanvisningen.

Ytterligere sikkerhetsinstruksjoner

Etter bruk

- ◆ Ta ut støpselet til laderen før du rengjør laderen eller ladesokkelen.
- ◆ Når apparatet ikke er i bruk, skal det oppbevares på et tørt sted.
- ◆ Barn skal ikke ha tilgang til apparater som oppbevares.

Restrisikoer

Når verktøyet brukes, kan det oppstå ytterligere risikoer som kanskje ikke er beskrevet i de medfølgende sikkerhetsadvarslene. Disse risikoene kan bli forårsaket av feil bruk, langvarig bruk osv. Selv om de relevante sikkerhetsbestemmelsene blir fulgt, og sikkerhetstiltakene blir gjennomført, kan visse gjenværende risikoer ikke unngås. Disse inkluderer:

- ◆ Personskader som forårsakes av berøring av en roterende/bevegelig del.
- ◆ Personskader som forårsakes av at en del, et blad eller tilbehør endres.
- ◆ Personskader som skyldes for lang tids bruk av verktøyet. Når du bruker et verktøy i lange perioder, må du sørge for å ta regelmessige pauser.
- ◆ Hørselskader.
- ◆ Helsefarer forårsaket av innånding av støv som utvikler seg når du bruker verktøyet (eksempel: arbeid med tre, spesielt eik, bøk og MDF).

Batterier og ladere

Batterier (kan selges separat)

- ◆ Oppladbare batterier skal tas ut av apparatet for lading.
- ◆ Batteriene skal settes inn med korrekt polaritet.
- ◆ Brukte batterier skal tas ut av apparatet og avhendes trygt.
- ◆ Dersom apparatet skal lagres uten bruk i en lang periode, bør batteriene tas ut.
- ◆ Forsyningskontaktene skal ikke kortsluttes.
- ◆ Forsøk aldri å åpne av noen årsak.
- ◆ Ikke utsett batteriet for vann.
- ◆ Ikke utsett batteriet for varme.
- ◆ Ikke oppbevar det på steder hvor temperaturen kan komme over 40 °C.
- ◆ Lad bare ved temperaturer mellom 10°C og 40°C.
- ◆ Bruk bare ladere av typen som følger med maskinen/apparatet. Hvis du bruker feil lader, kan dette føre til et elektrisk støt eller at batteriet overopphetes.
- ◆ Følg instruksjonene i avsnittet "Miljøvern" når du skal kaste batterier.
- ◆ Ikke skad eller deformer batteripakken ved punktering eller støt, da dette kan føre til risiko for personskade og brann.
- ◆ Du må ikke lade skadede batterier.
- ◆ Under ekstreme forhold kan batterilekkasje forekomme. Hvis du oppdager væske på batteriene, må du tørke den forsiktig av med en klut. Unngå kontakt med huden.

- ◆ Hvis væsken kommer i kontakt med huden eller øynene, følger du instruksjonene under.

Advarsel! Batterivæsken kan føre til personskade eller skade på eiendom. Ved hudkontakt skyller du umiddelbart med vann.

Hvis huden blir rød eller irritert eller smerter inntreffer, søk øyeblikkelig medisinsk hjelp. Hvis væsken kommer i kontakt med øynene, skyller du umiddelbart med rent vann og søker øyeblikkelig medisinsk hjelp.

Ladere (kan selges separat)

Ladere er konstruert for en bestemt spenning. Kontroller alltid at nettspenningen er i overensstemmelse med spenningen på typeskiltet og angivelsene under tekniske data.

Advarsel! Ikke skift ut laderen med et vanlig nettstøpsel.

- ◆ Bruk bare BLACK+DECKER-ladere til å lade batteriet i apparatet som laderen ble levert sammen med. Andre batterier kan sprekke og føre til personskade og materiell skade.
- ◆ Prøv aldri å lade ikke-oppladbare batterier.
- ◆ Hvis strømledningen blir skadet, må den byttes av produsenten eller et autorisert BLACK+DECKER-servicesenter for å unngå fare.
- ◆ Ikke utsett laderen for vann.
- ◆ Ikke åpne laderen.
- ◆ Ikke stikk noe inn i laderen.
- ◆ Apparatet/verktøyet/batteriet må plasseres på et godt ventilert sted under lading.

Elektrisk sikkerhet

Symboler på laderen



Les hele håndboken nøye før du bruker apparatet.



Dette verktøyet er dobbeltisolert. Jording er derfor ikke nødvendig. Kontroller alltid at strømforsyningen samsvarer med spenningen på merkeskiltet.



Ladeenheten er bare beregnet for bruk innendørs.

Produktmerking

Følgende symboler vises på apparatet sammen med datokoden



Les hele denne håndboken nøye før du bruker produktet



Hold håret ditt unna børster, åpninger og bevegelige deler

Egenskaper

Dette verktøyet har følgende egenskaper og funksjoner.

1. På/av-bryter
2. Hovedhåndtak
3. Ladeindikator
4. Utløserknapp for støvoppsamler
5. Ta ut støvoppsamler
6. Syklonisk filterenhet
7. Forlengerskaft utløserknapp
8. Forlengerskaft
9. Gulvhode (med innebygd gulvfølelse)
- 9b. Beater bar
10. Utløserknapp for vispstang
11. Gulvhode utløserknapp
12. Kantsuger
13. Lader
14. Lagringsstasjon
15. Batteripakke
16. Festeknapp for batteriet
17. Hovedenhet
18. Myk valsevispestang (kun REVS18D1HF)

Bruk

Lading av batteriet (fig. A, B)

Standard lader vil lade opp et helt utladet batteri på omtrent 5 timer

- ◆ Plugg inn laderen (13) i en passende stikkontakt før du setter inn batteripakken (15).
- ◆ Sett batteripakken (15) inn i laderen (13) som vist i figur A.
- ◆ Det grønne LED-lyset (13a) blinker for å varsle om at batteriet lades.

- ◆ Fullført lading vises ved at den grønne LED-en (13a) lyser kontinuerlig. Pakken er da fullt oppladet og kan brukes, eller den kan bli stående i laderen.

Merk: Lad opp utladede batterier så fort som mulig etter bruk, ellers vil batteriets levetid forringes.

Merk: Laderen og batteripakken kan forbli tilkoblet med lysende LED-lys i ubegrenset tid.

Laderen vil holde batteripakken klar og fulladet.

Viktige merknader om lading

- ◆ Lang levetid og best ytelse oppnås dersom batteripakken lades med lufttemperatur mellom 18–24 °C. IKKE lade batteripakken ved lufttemperatur under +4,5 °C eller over +40,5 °C.
Dette er viktig og vil forhindre alvorlig skade på batteripakken.
- ◆ Laderen og batteripakken kan være varme å ta på under lading. Dette er normalt og er ikke et tegn på et problem. For å muliggjøre bedre kjøling av batteripakken etter bruk, unngå å oppbevare laderen i varme omgivelser slik som et metallskur eller en uisolert trailer.
- ◆ Hvis batteripakken ikke lader slik den skal:
 - ◆ Kontroller strømmen i kontakten ved å sette inn en lampe eller et annet apparat.
 - ◆ Kontroller at stikkkontakten er koblet til en lysbryter som slår av strømmen når du slår av lyset.
 - ◆ Flytt laderen og batteripakken til et sted hvor omgivelsestemperaturen er omtrent 18–24 °C.
 - ◆ Dersom ladeproblemene vedvarer, ta verktøyet, batteripakken og laderen til ditt lokale servicesenter.
- ◆ Denne batteripakken med lang levetid må lades opp når den slutter å gi nok strøm til jobber som ble utført litt tidligere. I så fall, IKKE fortsett å bruke verktøyet. Følg ladeprosedyren. Du kan også lade opp en halvutladet pakke når som helst uten at det har noen effekt på batteripakken.
- ◆ Fremmedlegemer som kan lede strøm, inkludert, men ikke begrenset til stålull, aluminiumsfolie eller annen ansamling av metalliske partikler, må holdes unna åpningene i laderen.
Kople alltid laderen fra strømtilførselen når det ikke er en batteripakke i hulrommet. Kople fra laderen før rengjøring.
- ◆ IKKE sprut på eller senke ned i vann eller andre væsker.

Advarsel! Ikke la væske komme inn i laderen. Forsøk aldri å åpne batteripakken av noen årsak. Dersom plasthuset på batteripakken knekker eller får sprekker, send den til et servicesenter for avhending.

Ladestatusindikator (fig. C)

Dette apparatet inkluderer en ladeindikator (3) som består av tre grønne LED som indikerer hvor mye lading som er igjen i batteriet. Denne funksjonen er bare aktivert når støvsugeren er slått på og når støvsugeren er på lading.

Indikatoren for ladetilstand er en indikasjon på omtrentlige lade nivåer som gjenstår i batteripakken.

LED-batteriindikatoren viser gjenværende lading og varsler deg når batteriet er lavt.

Den siste LED-lampen vil blinke kontinuerlig når det bare er svært lite driftstid igjen.

Merk: Ladeindikatoren er bare en indikasjon på lade nivået som er igjen på batteriet.

Den gir ingen indikasjon på om verktøyet fortsatt kan brukes, og kan variere med produktkomponentene, temperatur og brukerens bruksområde.

Sette inn og ta ut batteriet (fig. D)

Advarsel! Pass på at støvsugeren er slått av før du tar av eller setter på batteriet.

Installere batteripakken

- ◆ Sett batteripakken (15) inn i verktøyet (15b) til du hører et klikk når det går i lås (fig. D). Pass på at batteripakken sitter godt og er låst på plass.

For å fjerne batteripakken

- ◆ Trykk på batteriutløserknappen (16) som vist på figur D dra batteripakken ut av verktøyet.

Montering (fig. E, F, G)

Denne støvsugeren kan brukes på fire ulike måter.

- ◆ Med forlengerrøret og gulvhodet som vist på figur E.
 - ◆ Rett inn toppen av forlengerrøret (8) med sugeinntaket på hovedenheten som vist på fig. E.
 - ◆ Skyv forlengerrøret (8) på sugeinntaket slik at det låser på plass.
- ◆ Rett inn bunnen av forlengerrøret (8) med gulvhodet (9) som vist på figur E.
- ◆ Skyv bunnen av forlengerrøret (8) på gulvhodet (9) slik at det låser på plass.
- ◆ For å ta av røret, trykk låseknappen (7) på forlengerrøret og trekk det tilkoblede tilbehøret forsiktig av.
- ◆ Med hovedenheten og gulvhodet som vist på fig. F.
- ◆ Med forlengerrøret og sprekkverktøytilbehøret som vist i fig. G(3).
- ◆ Med hovedenheten og sprekkverktøytilbehøret som vist i fig. G(4).

Advarsel! Når du ikke bruker enheten, plasser den med bakenden av støvsugeren pekende mot en vegg slik at utilsiktet fall vil skje mot veggen og ikke mot personer eller husdyr.

Slå på og av (fig. H)

- ◆ For å slå PÅ, trykk på av/på-knappen (1) én gang og enheten vil starte i floorsense-modus, for bare høyhastighetsmodus, trykk på knappen igjen.
- ◆ For å øke styrken, skyv av/på-knappen (1) én gang til.
- ◆ Trykk på av/på-knappen (1) en tredje gang for å slå av enheten.

Merk: Ladestatusindikator LED-lys (3) tennes når støvsugeren er PÅ.

- ◆ Lad batteriet (15) umiddelbart etter bruk slik at det er klart og fulladet til neste bruk.

Floorsense

Floorsense er aktiv i lav hastighet. Når et teppe oppdages, økes enhetens ytelse automatisk til høy hastighet. Når et hardt gulv oppdages, reduseres ytelsen til enheten til lav hastighet.

Rengjøring og tømning av støvsugeren

Advarsel! Fare for prosjektiler og innånding: Bruk aldri apparatet uten filterene.

Advarsel! Filteret kan brukes om igjen, ikke forveksle dem med engangs støvposer og ikke kast det når produktet tømmes. Vi anbefaler at du skifter filter hver 6. til 9. måned, avhengig av hyppigheten av bruk.

For å tømme støvoppsamleren (fig. I, J, K, L)

- ◆ Trykk ned utløserknappen for støvbeholderen (4) for å frigjøre og fjern støvbeholderen (5) fra støvsugeren.
- ◆ Bruk pekefinger og tommel for å klemme sammen filterhustappene, og trekk filterhuset (6) fra støvbeholderen som vist på figur J.
- ◆ Plasser støvbeholderen over en søppelbøtte og tøm støvbeholderen som vist i figur K.
- ◆ Fjern skumfilteret (6a) fra filterhuset (6) som vist i figur L.
- ◆ Rist eller børst lett alt løst støv av skumfilterhuset og filteret.
- ◆ Skyll støvbeholderen (5) med varmt såpevann.
- ◆ Vask filterene i varmt såpevann.
- ◆ Sørg for at filterene er helt tørre før du setter filterene tilbake i filterhuset.
- ◆ Sett tilbake det rene og tørre skumfilteret (6a) i filterhuset (6).
- ◆ Installer filterhuset i støvbeholderen (5).
- ◆ Sett inn støvbeholderen på støvsugeren til den "klikker" på plass.

Ta av og rengjør børstehodet (fig. M, N)

Advarsel! For å redusere faren for personskader fra roterende deler, koble fra gulvhodet og forlengerrøret fra støvsugeren før rengjøring eller service.

- ◆ For å fjerne vispstangen (9b eller 18) fra gulvhodet (9) Skyv vispstangens utløserknapp (10) til baksiden av enheten.
- ◆ Vispstangen (9b eller 18) kan nå fjernes og rengjøres.

Trygg oppbevaring (fig. Q)

Enheten kan oppbevares trygt når den ikke er i bruk, ved å plassere låsen på baksiden av hovedenheten på lagringsstasjonen (14) som vist i figur Q.

Advarsel! Når du ikke bruker enheten, plasser den med bakenheten av støvsugeren pekende mot en vegg slik at utilsiktet fall vil skje mot veggen og ikke mot personer eller husdyr.

Feilsøking

Problem	Mulig årsak	Mulig løsning
Enheten starter ikke.	Batteriet er ikke satt inn riktig. Batteriet er ikke ladet.	Kontroller innstillingen av batteriet. Kontroller kravene til lading av batteriet
Batteriet lader ikke.	Batteriet er ikke satt inn i laderen. Laderen er ikke satt i stikkkontakten. Omgivelsestemperaturen er for varm eller kald.	Sett batteriet i laderen til grønn LED lyser. Sett laderen i en stikkontakt som virker. Se "Viktige merknader om lading" for mer informasjon. Kontroller strømmen i kontakten ved å sette inn en lampe eller et annet apparat. Kontroller om stikkkontakten er koblet til en lysbryter som slår av strømmen når du slår av lyset. Flytt laderen og batteripakken til et sted hvor lufttemperaturen i omgivelsene er over 4,5 °C og under +40,5 °C.

Vedlikehold

Det batteridrevne BLACK+DECKER-produktet er konstruert for å være i drift over lengre tid, med et minimum av vedlikehold. For at det skal fungere tilfredsstillende over tid, er det viktig å sørge for riktig stell av verktøyet og regelmessig renhold.

Advarsel! Før du utfører vedlikehold på et batteridrevet apparat:

- ◆ Slå av enheten og ta ut batteriet.
- ◆ Trekk ut laderen fra stikkkontakten før du rengjør den. Laderen krever ikke annet vedlikehold enn regelmessig rengjøring.
- ◆ Rengjør ventilasjonsåpningene i apparatet/laderen jevnlig med en myk børste eller tørr klut.
- ◆ Rengjør motorhuset regelmessig med en fuktig klut. Ikke bruk slipende eller løsemiddelbaserte rengjøringsmidler.

Utskifting av filterene

Filterene bør skiftes ut hver 6.–9. måned og ellers hvis de er slitte eller skadet. Reservefiltere får du hos en BLACK+DECKER-forhandler.

- ◆ Ta ut de gamle filterene som beskrevet over.
- ◆ Sett inn de nye filterene som beskrevet over.

Miljøvern



Separat innsamling. Produkter og batterier merket med dette symbolet skal ikke kastes i vanlig husholdningsavfall.

Produkter og batterier inneholder materialer som kan resirkuleres og redusere etterspørselen for råmaterialer. Resirkuler elektriske produkter og batterier i henhold til lover og regler. Mer informasjon finner du på www.2helpU.com

Tekniske data

	REVSU18D Type 1
Spenning	18V _{dc}
Watt-timer	36Wh (18v 2,0Ah batteripakke)
Omtrentlig ladetid	5 timer
Vekt	3 kg

Lader		S010**2400040/SSC-250040**
Inngangsspenning	V _{ac}	100 - 240
Utgangsspenning	V _{dc}	8 - 20
Strøm	mA	400
Omtrentlig ladetid	Timer	5

Batteri		BDL1518 BDL1518E	BDL2018 BDL2018E	BDL2518 BDL2518E
Spenning	V _{dc}	18	18	18
Kapasitet	Ah	1,5	2,0	2,5
Type		Li-ion	Li-ion	Li-ion

Garanti

Black & Decker er trygg på kvaliteten av produktene sine og tilbyr en 24 måneders garanti fra kjøpsdato. Denne garantierklæringen kommer i tillegg til dine lovbestemte rettigheter og er ikke i konflikt med disse. Garantien er gyldig innen områdene tilhørende medlemslandene i den Europeiske Union (EU), det Europeiske Frihandelsområdet (EFTA) og i Storbritannia.

For å ta garantien i bruk må kravet være i samsvar med kjøpsbetingelsene fra Black&Decker og du må vise kjøpskvittering til forhandleren eller til et autorisert serviceverksted.

Black&Deckers betingelser for 2 års garanti samt adressen til det nærmeste autoriserte servicesenteret kan du finne på internett under www.2helpU.com, eller ved å kontakte ditt lokale Black&Decker kontor som angitt i denne bruksanvisningen.

Vennligst se vår nettside www.blackanddecker.no for å registrere ditt Black & Decker produkt og få oppdateringer om nye produkter og spesialtilbud.

Tilsigtet brug

Din BLACK+DECKER REVSU18D, REVSU18D1HF ledningsfri støvsuger er designet til støvsugningsformål. Apparatet er kun beregnet til bruk i husholdninger.



Læs hele vejledningen omhyggeligt, før du bruger apparatet.

Sikkerhedsvejledning



Advarsel! Læs alle sikkerhedsadvarsler og alle instruktioner. Manglende overholdelse af de advarsler og instruktioner, der er anført nedenfor, kan medføre elektrisk stød, brand og/eller alvorlig personskade.

- Den tilsigtede brug er beskrevet i denne vejledning. Brugen af ekstraudstyr eller tilbehør eller udførelse af andet arbejde med dette apparat end det, der anbefales i denne vejledning, kan udgøre en risiko for personskade.
- Opbevar denne vejledning til senere brug.
- Dette apparat indeholder batterier, som kun må udskiftes af fagfolk.

Brug af apparatet

- Brug ikke apparatet til at opsamle væske eller stoffer, der kan være antændelige.
- Må ikke anvendes uden støvbeholder og/eller indsatte filtre
- Brug ikke apparatet i nærheden af vand.
- Apparatet må ikke nedsænkes i vand.
- Anbring aldrig genstande i åbninger.

Anvend den aldrig med blokerede åbninger; hold den fri for støv, bomuldshår, hår og alt, som kan nedsætte luftstrømmen.

- ◆ Hold dit hår, løst tøj, fingre og alle dele af kroppen væk fra åbninger og bevægelige dele.
- ◆ Træk aldrig i opladerens ledning for at afbryde opladeren fra stikkontakten. Beskyt laderens ledning imod varmepåvirkninger, olie og skarpe kanter.
- ◆ Dette apparat kan bruges af børn i en alder fra 8 år og derover og personer med nedsatte fysiske, sensoriske eller mentale evner eller manglende erfaring og viden, hvis det sker under overvågning, eller de vejledes i brugen af apparatet på en sikker måde, og de forstår de farer, som er forbundet dermed. Børn må ikke lege med apparatet. Børn må ikke rengøre og vedligeholde apparatet uden opsyn.

Eftersyn og reparationer

Før brug skal apparatet kontrolleres for beskadigede eller defekte dele. Se efter knækkede dele, skader på kontakter og eventuelle andre forhold, der kan påvirke apparatets funktion.

- ◆ Brug ikke apparatet med beskadigede eller defekte dele.
- ◆ Få beskadigede eller defekte dele repareret eller udskiftet på et autoriseret værksted.
- ◆ Kontroller regelmæssigt laderens ledning for skader.

Udskift laderen, hvis ledningen er beskadiget eller defekt.

- ◆ Forsøg aldrig at fjerne eller udskifte dele ud over dem, der er beskrevet i denne vejledning.

Yderligere sikkerhedsvejledninger

Efter brug

- ◆ Træk opladeren ud af stikkontakten, før opladeren eller opladerens basisenhed rengøres.
- ◆ Når apparatet ikke er i brug, skal det opbevares på et tørt sted.
- ◆ Børn må ikke have adgang til opbevarede apparater.

Tilbageværende risici

Yderligere residualrisici kan opstå, når værktøjet bruges, hvilket muligvis ikke er inkluderet i de medfølgende sikkerhedsadvarsler. Disse risici kan opstå i forbindelse med misbrug, længerevarende brug osv.

Selv med anvendelsen af de relevante sikkerhedsbestemmelser og implementeringen af sikkerhedsanordninger kan visse residualrisici ikke undgås. Disse omfatter:

- ◆ Tilskadekomst forårsaget af berøring af roterende/bevægelige dele.
- ◆ Tilskadekomst forårsaget af udskiftning af dele, klinger eller tilbehør.
- ◆ Tilskadekomst forårsaget af langvarig brug af et værktøj. Husk at holde pause jævnlige ved brug af et apparat i længere tid.
- ◆ Hørenedsættelse.

- ◆ Sundhedsrisici forårsaget af indånding af støv, der genereres ved brug af værktøjet (eksempel: arbejde med træ, især, eg, bøg og MDF.)

Batterier og ladere

Batterier (kan sælges separat)

- ◆ Genopladelige batterier skal tages ud af apparatet, inden de oplades.
- ◆ Batterier skal isættes med den korrekte polaritet.
- ◆ Afladede batterier skal tages ud af apparatet og bortskaffes sikkert.
- ◆ Hvis apparatet skal opbevares uden brug gennem en længere periode, bør batterierne tages ud.
- ◆ Forsyningsterminalerne må ikke kortsluttes.
- ◆ Forsøg aldrig at åbne den af en eller anden grund.
- ◆ Batteriet må ikke udsættes for fugt.
- ◆ Batteriet må ikke udsættes for varme.
- ◆ Må ikke opbevares på steder, hvor temperaturen kan overstige 40 °C.
- ◆ Oplad kun ved omgivelsestemperaturer på mellem 10 °C og 40 °C.
- ◆ Oplad kun ved hjælp af den medfølgende lader.
Brug af den forkerte oplader kan medføre elektrisk stød eller overophedning af batteriet.
- ◆ Følg ved bortskaffelse af batterier vejledningen i afsnittet "Miljø".
- ◆ Undgå at beskadige/deformere batteripakken ved at punktere den eller slå på den, da dette kan forårsage risiko for tilskadekomst eller brand.

- ◆ Beskadigede batterier må ikke oplades.
- ◆ Under ekstreme forhold kan der forekomme batterilækage. Hvis du bemærker væske på batterierne, skal du omhyggeligt tørre den af med en klud. Undgå kontakt med huden.
- ◆ I tilfælde af kontakt med hud eller øjne, skal du følge nedenstående anvisninger.

Advarsel! Batterivæsken kan forårsage personskader eller materielle skader. I tilfælde af kontakt med huden skylles straks med vand. Søg læge, hvis der opstår rødme, smerte eller irritation. Skyl straks med rent vand, og søg læge i tilfælde af kontakt med øjnene.

Opladere (kan sælges separat)

Opladeren er udviklet til en specifik spænding. Kontroller altid, at netspændingen svarer til spændingen på typeskiltet og oplysningerne i den tekniske datatabel.

Advarsel! Forsøg aldrig at erstatte opladerenheden med et almindeligt netstik.

- ◆ Brug kun din BLACK+DECKER-lader til at oplade batteriet i det værktøj, som den blev leveret sammen med. Andre batterier kan eksplodere og forårsage kvæstelser og materielle skader.
- ◆ Prøv aldrig på at oplade ikke-opladelige batterier.
- ◆ Hvis netledningen beskadiges, skal den udskiftes af producenten eller et autoriseret BLACK+DECKER-værksted, så farlige situationer undgås.

- ◆ Laderen må ikke udsættes for vand.
- ◆ Laderen må ikke åbnes.
- ◆ Undersøg ikke laderen.
- ◆ Apparatet/værktøjet/batteriet skal anbringes et sted med god udluftning, når det oplades.

Elektricitet og sikkerhed

Symboler på laderen



Læs hele denne vejledning omhyggeligt, før du bruger apparatet.



Dette værktøj er dobbelt isoleret, derfor er en jordledning ikke nødvendig. Kontrollér altid, at strømforsyningen svarer til spændingen på mærkepladen.



Laderens basisenhed er kun beregnet til indendørs brug.

Mærkatet på apparatet

Værktøjet er forsynet med følgende advarselssymboler samt datokoden



Læs hele vejledningen omhyggeligt, før du bruger apparatet



Hold hår væk fra børster, åbninger og andre bevægelige dele

Funktioner

På dette værktøj findes nogle eller alle funktioner.

1. Afbryderknap
2. Primært håndtag
3. Ladeindikator
4. Knap til frigørelse af støvbeholderen
5. Gennemsigtig støvbeholder
6. Cyklonisk filtersamling
7. Knap til frigørelse af forlængerstangen
8. Forlængerstang
9. Gulmundstykke (med indbygget gulvsensor)
- 9b. Beater bar
10. Knap til frigørelse af tæppebanker
11. Knap til frigørelse af gulvmundstykke
12. Revneværktøj
13. Oplader
14. Opbevaringsstation
15. Batteripakke
16. Udløserknap til batteripakke
17. Hovedenhed

18. Blød rullestang (kun REVS18D1HF)

Anvendelse

Opladning af batteriet (fig. A, B)

Den medfølgende standardoplader lader et helt afladet batteri op på ca. 5 timer.

- ◆ Indsæt opladeren (13) i en passende udgang, før batteripakken (15) indsættes.
- ◆ Indsæt batteripakken (15) i opladeren (13) som vist i figur A.
- ◆ Den grønne LED-lampe (13a) blinker for at vise, at batteriet oplades.
- ◆ Når opladningen er færdig, vil det blive angivet af den grønne LED (13a), som vil lyse konstant. Pakken er fuldt opladet og kan nu anvendes eller kan efterlades i opladeren.

Bemærk: Genoplad afladede batterier så hurtigt som muligt efter brug, da batteriets levetid ellers kan blive stærkt formindsket.

Bemærk: Du kan lade batteripakken sidde i laderen med den grønne LED tændt, så længe det ønskes. Opladeren holder batteripakken klar og fuldt opladet.

Vigtige bemærkninger om opladning

- ◆ Der kan opnås den længste levetid og bedste ydeevne, hvis batteripakken oplades, når lufttemperaturen er 18°-24°C. Oplad IKKE batteripakken i en lufttemperatur på under +4,5°C eller over +40,5°C. Dette er vigtigt og vil forhindre alvorlig beskadigelse af batteripakken.
- ◆ Opladeren og batteripakken kan blive for varm at røre ved under opladning. Dette er normalt og angiver ikke et problem. For at lette køling af batteripakken efter brug, undgå at placere opladeren eller batteripakken i varme omgivelser, som f.eks. i et metalskur eller i en uisoleret trailer.
- ◆ Hvis batteripakken ikke oplades ordentligt:
 - ◆ Kontroller strømstikket ved at tilslutte en lampe eller et andet apparat.
 - ◆ Se efter, om kontakten er tilsluttet til en lyskontakt, som slår strømmen fra, når du slukker for lysene.
 - ◆ Flyt opladeren og batteripakken til et sted, hvor den omgivende lufttemperatur er ca. 18°-24°C.
 - ◆ Hvis der stadig er opladningsproblemer, tag værktøjet, batteripakken og opladeren til dit lokale servicecenter.
- ◆ Batteripakken skal genoplades, når den ikke giver tilstrækkelig strøm til de opgaver, som tidligere let blev udført. FORTSÆT IKKE med at bruge den under disse forhold. Følg opladningsproceduren. Du kan også oplade en delvist brugt pakke, når du ønsker det uden nogen negativ indflydelse på batteripakken.

- ◆ Fremmede materialer af en ledende art som for eksempel, men ikke begrænset til ståluld, aluminiumsfolie eller anden koncentration af metalliske partikler skal holdes på afstand af opladerens huller.
Tag altid stikket til opladeren ud fra kontakten, når der ikke er indsat en batteripakke. Tag stikket til opladeren ud før forsøg på at rengøre den.
- ◆ Frys ikke eller nedsænk opladeren i vand eller andre væsker.

Advarsel! Lad ikke nogen flydende væsker komme ind i opladeren. Forsøg aldrig at åbne batteripakken. Hvis batteripakkens plastikhus får brud eller revner, returner det til et servicecenter til genbrug.

Ladetilstandsindikator (fig. C)

Dette apparat indeholder en ladetilstandsindikator (3), som består af tre grønne LED lamper, der angiver niveauet for den resterende opladning i batteriet. Denne funktion aktiveres kun, når støvsugeren er tændt, og når støvsugeren bliver opladet. Ladetilstandsindikatoren er en indikation af de omtrentlige niveauer af resterende spænding i batteripakken.

LED-batteripakken viser den resterende opladning og advarer dig, når batteriniveaue er lavt.

Den sidste LED blinker kontinuerligt, når der kun er meget lidt driftstid tilbage.

Bemærk: Ladetilstandsindikatoren indikerer blot den resterende opladning i batteriet.

Den angiver ikke værktøjets funktionalitet og er underlagt variation baseret på produktkomponenter, temperatur og slutbrugeranvendelse.

Montering og afmontering af batteriet (fig. D)

Advarsel! Sørg for, at støvsugeren er slukket, inden du fjerner eller installerer batteri.

Sådan installeres batteripakken

- ◆ Sæt batteripakken (15) i støvsugeren (15b), indtil der høres et klik (figur D). Sørg for at batteripakken er helt skubbet ind og låst i position.

Sådan fjernes batteripakken

- ◆ Tryk batteriets udløserknop (16) ned som vist i figur D, og træk batteripakken ud af støvsugeren.

Montering (fig. E, F, G)

Denne støvsuger kan bruges på fire måder.

- ◆ Med forlængerrøret og gulvmundstykket som vist i figur E.
 - ◆ Juster toppen af forlængerrøret (8) til støvsugerindgangen på hovedenheden som vist i figur E.
 - ◆ Skub forlængerrøret (8) ind på støvsugerindgangen, så det låses på plads.
 - ◆ Juster bunden af forlængerrøret (8) til gulvmundstykket (9) som vist i figur E.
 - ◆ Skub bunden af forlængerrøret (8) ind på gulvmundstykket (9), så det låses på plads.

- ◆ For at fjerne røret skal du trykke på forlængerstangens frigørelsesknop (7) placeret på forlængerrøret og forsigtigt trække det tilsluttede tilbehør af.

- ◆ Med hovedenheden og gulvmundstykket som vist i figur F.
- ◆ Med forlængerrøret og revneværktøjet som vist i fig. G(3).
- ◆ Med hovedenheden og revneværktøjet som vist i fig. G(4).

Advarsel! Når den ikke er i brug, skal enheden placeres med støvsugeren mod en væg, så et eventuelt utilsigtet fald af enheden kommer i kontakt med en væg og ikke personer eller kæledyr.

Start og stop (fig. H)

- ◆ Tænd ved at trykke én gang på afbryderknappen (1), og så starter enheden i gulvsensortilstand. Tryk igen på knappen for kun højhastighedstilstand.
- ◆ Tryk på afbryderknappen (1) igen for øget effekt.
- ◆ Tryk på afbryderknappen (1) en tredje gang for at slukke for enheden.

Bemærk: LED'erne for ladetilstandsindikatoren (3) vil lyse, mens støvsugeren er tændt.

- ◆ Lad øjeblikkeligt batteriet (15) op efter brug, så det er klart og helt opladet til næste brug.

Gulvsensor

Gulvsensor er aktiv i lav hastighed. Når der detekteres et tæppe, øges enhedens ydeevne automatisk til høj hastighed. Når der detekteres et hårdt gulv, reduceres enhedens ydeevne til lav hastighed.

Rengøring og tømning af støvsugeren

Advarsel! Fare for projektil/åndedræt: Støvsugeren må aldrig bruges uden dets filter.

Advarsel! Filteret er genanvendeligt. Det må ikke forveksles med en engangsstøvsugerpose, og det skal ikke smides væk, når produktet tømmes. Vi anbefaler, at du udskifter filteret hver 6.-9. måned, afhængigt af hvor ofte det bruges.

Sådan tømmes støvbeholderen (fig. I, J, K, L)

- ◆ Tryk ned på støvbeholders udløsningsknop (4) for at frigive og fjerne støvbeholderen (5) fra støvsugeren.
- ◆ Brug din pegefingert og tommelfinger til at knibe filterhusets tapper og trække filterhuset (6) ud af støvbeholderen som vist i figur J.
- ◆ Hold støvbeholderen over en affaldsspand, og tøm støvbeholderen som vist i figur K.
- ◆ Fjern skumfilteret (6a) fra filterhuset (6) som vist i figur L.
- ◆ Ryst eller børst let eventuelt løst støv af skumfilterhuset og filteret.
- ◆ Vask støvbeholderen (5) med varmt sæbevand.
- ◆ Vask filtrene med varmt sæbevand.
- ◆ Sørg for, at filtrene er helt tørre, før du genmonterer filtrene i filterhuset.
- ◆ Genmonter et rene og tørre skumfilter (6a) i filterhuset (6).
- ◆ Installer filterhuset i støvbeholderen (5).

- ◆ Installer støvbeholderdøren i støvsugeren, indtil den klikker på plads.

Fjernelse og rengøring af tæppebankeren (Fig. M, N, O, P)

Advarsel! For at reducere risikoen for skader fra bevægelige dele, skal gulvmundstykket og forlængerrøret afbrydes fra støvsugeren før rengøring eller service.

- ◆ For at fjerne tæppebankeren (9b eller 18) fra gulvmundstykket (9) skal du skubbe knappen til frigørelse af tæppebanker (10) hen til bagsiden af enheden.
- ◆ Tæppebankeren (9b eller 18) kan nu fjernes og rengøres.

Sikker opbevaring (fig. Q)

Enheden kan opbevares sikkert, når den ikke er i brug, ved at placere hagen på bagsiden af hovedenheden på opbevaringsstationen (14), som vist i figur Q.

Advarsel! Når den ikke er i brug, skal enheden placeres med støvsugeren mod en væg, så et eventuelt utilsigtet fald af enheden kommer i kontakt med en væg og ikke personer eller kæledyr.

Problemløsning

Problem	Mulig årsag	Mulig løsning
Enheden vil ikke starte.	Batteriet er ikke installeret korrekt. Batteri ikke opladet.	Kontroller installationen af batteriet. Kontroller kravene til opladning af batteriet
Batteriet kan ikke oplades.	Batteri er ikke sat i opladeren. Opladeren er ikke tilsluttet. Omgivende lufttemperatur for varm eller for kold.	Indsæt batteriet i opladeren, indtil LED vises. Tilslut opladeren til en fungerende stikkontakt. Se "Vigtige bemærkninger om opladning" for flere detaljer. Kontroller strømstikket ved at tilslutte en lampe eller et andet apparat. Kontrollér, om der er forbindelse på stikdåsen ved at tilslutte en lampe til den, og derefter om strømmen bliver slået fra, når du slukker for lyset. Flyt opladeren og værktøjet til en omgivende lufttemperatur på over 4,5 °C eller under +40,5 °C.

Vedligeholdelse

Dit Black & Decker-apparat uden ledning er beregnet til at fungere i en længere periode med minimal vedligeholdelse. Vedvarende tilfredsstillende funktion er afhængig af, om apparatet plejes korrekt og rengøres regelmæssigt.

Advarsel! Før udførelse af nogen form for vedligeholdelse af apparater uden ledning:

- ◆ Sluk for enheden og fjern batteriet.
- ◆ Træk opladeren ud af stikkontakten, før den rengøres. Opladeren kræver ingen vedligeholdelse, men skal rengøres jævnligt.
- ◆ Rengør jævnligt apparatets/laderens ventilationshuller med en blød børste eller en tør klud.
- ◆ Rengør med jævne mellemrum motorhuset med en fugtig klud. Der må ikke bruges skuremidler eller opløsningsmidler.

Udskiftning af filtrene

Filtrene skal udskiftes hver 6. til 9. måned, og i øvrigt hvis de bliver slidte eller beskadiget. Udskiftningsfiltre fås hos BLACK+DECKER-forhandleren.

- ◆ Tag de gamle filtre ud af apparatet som beskrevet ovenfor.
- ◆ Sæt de nye filtre ind som beskrevet ovenfor.

Miljøbeskyttelse



Særskilt bortskaftelse. Produkter og batterier markeret med dette symbol må ikke bortskaftes sammen med normalt husholdningsaffald.

Produkter og batterier indeholder materialer, der kan genindvindes eller genbruges, så behovet for råmaterialer reduceres.

Du bedes genbruge elektriske produkter og batterier i overensstemmelse med lokale bestemmelser. Yderligere oplysninger findes på

www.2helpU.com

Tekniske data

		REVS18D Type 1
Spænding		18 V _{dc}
Watt timer		36 Wh (18v 2,0 Ah batteripakke)
Ladetid ca.		5 timer
Vægt		3 kg

Oplader		S010**2400400/SSC-250040**
Indgangsspænding	V _{ac}	100 - 240
Udgangsspænding	V _{dc}	8 - 20
Strøm	mA	400
Ladetid ca.	Timer	5

Batteri		BDL1518 BDL1518E	BDL2018 BDL2018E	BDL2518 BDL2518E
Spænding	V _{dc}	18	18	18
Kapacitet	Ah	1,5	2,0	2,5
Type		Li-Ion	Li-Ion	Li-Ion

Garanti

Black & Decker er overbevist om den gode kvalitet af sine produkter og giver forbrugerne en garanti på 24 måneder fra købsdatoen. Garantien er et tillæg til forbrugerens lovmæssige rettigheder og påvirker ikke disse. Garantien er gyldig inden for medlemsstaterne af Den Europæiske Union, Det Europæiske Frihandelsområde og Det Forenede Kongerige.

Når du gør krav på garantien, skal kravet være i overensstemmelse med Black & Decker's vilkår og betingelser, og du skal indsende dokumentation for købet til sælgeren eller til en autoriseret reparatør.

Vilkår og betingelser for Black & Decker 2 års garanti og placeringen af dit nærmeste autoriserede serviceværksted kan fås på internettet på www.2helpU.com, eller ved at kontakte dit lokale Black & Decker kontor på den adresse, der er angivet i denne vejledning.

Besøg venligst vores websted www.blackanddecker.eu for at registrere dit nye Black & Decker produkt og modtage opdateringer om nye produkter og specielle tilbud.

SUOMI

(Alkuperäisten ohjeiden käännös)

Käyttötarkoitus

Akkutoiminen BLACK+DECKER REVSV18D, REVSV18D1HF -pölynimuri on tarkoitettu imuroimiseen. Laitte on tarkoitettu ainoastaan kotitalouskäyttöön.



Lue nämä ohjeet huolellisesti ennen laitteen käyttöä.

Turvallisuusohjeet



Varoitus! Lue kaikki turvallisuusvaroitukset ja ohjeet.

Jos alla olevia varoituksia ja ohjeita ei noudateta, on olemassa sähköiskun, tulipalon ja/tai vakavan henkilövahingon vaara.

- ◆ Käyttötarkoitus kuvataan ohjeissa. Muiden kuin tässä käyttöohjeessa suositeltujen lisävarusteiden tai -osien käyttö sekä laitteen käyttö muuhun kuin käyttöohjeessa suositeltuun tarkoitukseen voi aiheuttaa henkilövahingon vaaran.

- ◆ Säilytä tämä käyttöohje tulevaa tarvetta varten.
- ◆ Tämä laite sisältää akkuja, jotka vain ammattitaitoiset henkilöt voivat vaihtaa.

Laitteen käyttö

- ◆ Älä käytä laitetta nesteiden tai syttyvien materiaalien keräämiseen.
- ◆ Laitetta ei saa käyttää ilman pölysäiliötä ja/tai suodattimia.
- ◆ Älä käytä laitetta veden lähellä.
- ◆ Älä upota laitetta veteen.
- ◆ Älä aseta mitään esineitä aukkoihin. Älä käytä, jos joku aukoista on tukossa; pidä puhtaana pölystä, nukasta, hiuksista ja kaikesta, joka saattaa pienentää ilmavirtaa.
- ◆ Pidä hiukset, löysät vaatteet, sormet ja kaikki ruumiinosat poissa aukoista ja liikkuvista osista.
- ◆ Älä koskaan irrota laturia pistorasiasta vetämällä virtajohdosta. Pidä laturin virtajohto etäällä lämmönlähteistä, öljystä ja terävistä reunoista.
- ◆ Tämä laite soveltuu yli 8-vuotiaiden lasten ja sellaisten henkilöiden käyttöön, joilla on fyysisiä tai älyllisiä rajoitteita tai aistirajoitteita, kuten myös laitteen toimintaan perehtymättömien henkilöiden käyttöön, jos heitä valvotaan tai jos he ovat saaneet laitteen turvalliseen käyttöön liittyvää opastusta ja ymmärtävät laitteen käyttöön liittyvät vaarat. Lapset eivät saa leikkiä laitteella.

Lapset eivät saa suorittaa puhdistus- ja käyttäjän huoltotoimia ilman valvontaa.

Tarkastus ja korjaus

Tarkista ennen laitteen käyttöä, ettei laitteessa ole vahingoittuneita tai viallisia osia. Tarkista osien ja kytkimien kunto sekä muut seikat, jotka voivat vaikuttaa laitteen toimintaan.

- ◆ Älä käytä laitetta, jos jokin osa on vahingoittunut tai viallinen.
- ◆ Korjauta tai vaihdata vaurioituneet tai vialliset osat valtuutetussa huoltoliikkeessä.
- ◆ Tarkista säännöllisesti, ettei laturin virtajohto ole vahingoittunut. Vaihda laturi, jos virtajohto on vahingoittunut tai viallinen.
- ◆ Älä yritä korjata tai vaihtaa muita kuin tässä käyttöohjeessa erikseen määritellyjä osia.

Lisäturvaohjeet

Käytön jälkeen

- ◆ Irrota laturi pistorasiasta ennen laturin puhdistamista.
- ◆ Kun laitetta ei käytetä, se on säilytettävä kuivassa paikassa.
- ◆ Pidä laite lasten ulottumattomissa.

Jäännösriskit

Myös muut kuin turvavaroituksissa mainitut riskit ovat mahdollisia laitetta käytettäessä. Nämä riskit voivat liittyä muun muassa virheelliseen tai pitkäaikaiseen käyttöön.

Tiettyjä jäännösriskejä ei voi välttää, vaikka noudatat kaikkia turvamääräyksiä ja käytät turvalaitteita. Niihin kuuluvat seuraavat:

- ◆ Pyörivien tai liikkuvien osien koskettamisen aiheuttamat vahingot.
- ◆ Osia, teriä tai lisävarusteita vaihdettaessa aiheutuneet vahingot.
- ◆ Työkalan pitkäaikaisen käytön aiheuttamat vahingot. Varmista, että pidät säännöllisesti taukoja laitteen pitkäaikaisen käytön aikana.
- ◆ Kuulon heikkeneminen.
- ◆ Laitetta käytettäessä (esimerkiksi puuta, erityisesti tammea, pyökkiä ja MDF-levyjä, käsiteltäessä) syntyneen pölyn sisäänhengityksen aiheuttamat terveysriskit).

Akut ja laturit

Akut (myytävissä erikseen)

- ◆ Ladattavat akut tulee poistaa laitteesta ennen niiden lataamista.
- ◆ Akut ja paristot tulee asentaa merkittyjen napaisuuksien mukaisesti.
- ◆ Tyhjentyneet akut ja paristot tulee poistaa laitteesta ja hävittää asianmukaisesti.
- ◆ Jos laitetta säilytetään pitkään käyttämättömänä, akut tulee poistaa.
- ◆ Napoja ei saa asettaa oikosulkuun.
- ◆ Älä koskaan yritä avata mistään syystä.
- ◆ Älä anna akun kastua.
- ◆ Älä altista akkua kuumuudelle.
- ◆ Älä säilytä akkuja tiloissa, joissa lämpötila voi nousta yli 40 °C:een.

- ◆ Lataa akku paikassa, jonka lämpötila on vähintään 10 °C ja enintään 40 °C.
- ◆ Käytä akun lataamiseen vain laitteen mukana toimitettua laturia. Väärän tyyppinen laturi voi aiheuttaa sähköiskun tai akun ylikuumentumisen.
- ◆ Noudata akkuja hävittäessäsi kohdassa ”Ympäristönsuojelu” annettuja ohjeita.
- ◆ Suojaa akkua vahingoittumiselta niin, ettei sen kotelo rikkoudu eikä siihen kohdistu iskuja, sillä muutoin voi syntyä henkilövahinkojen ja tulipalon vaara.
- ◆ Älä lataa viollisia akkuja.
- ◆ Vaativissa oloissa voi ilmetä paristovuotoja. Jos havaitset akkujen pinnalla nestettä, pyyhi se huolellisesti pois. Vältä ihokosketusta.
- ◆ Jos nestettä joutuu silmiin tai iholle, noudata jäljempänä olevia ohjeita.

Varoitus! Akkuneste voi aiheuttaa aineellisia vahinkoja tai henkilövahinkoja. Jos nestettä joutuu iholle, se on välittömästi huuhteltava pois vedellä. Jos ihoa kirvelee tai se punottaa tai on muuten ärtynyt, kysy lisäohjeita lääkäriltä. Jos nestettä joutuu silmiin, huuhto välittömästi puhtaalla vedellä ja mene lääkäriin.

Laturit (myytävissä erikseen)

Laturi on tarkoitettu tietylle jännitteelle. Tarkista aina, että verkkojännite vastaa arvokilvessä ilmoitettua jännitettä ja teknisten tietojen taulukossa annettuja tietoja.

Varoitus! Älä yritä vaihtaa laturiin tavallista verkkovirran pistoketta.

- ◆ Käytä BLACK+DECKER-laturia vain laitteen/työkalun mukana toimitetun akun lataamiseen. Muut akut voivat räjähtää ja aiheuttaa henkilövahinkoja tai aineellisia vahinkoja.
- ◆ Älä koskaan yritä ladata akkuja, joita ei ole tarkoitettu ladattavaksi.
- ◆ Jos virtajohto vahingoittuu, sen vaihtaminen on turvallisuusystävällistä jätettävä valmistajan tai valtuutetun BLACK+DECKER-huollon tehtäväksi.
- ◆ Älä altista laturia vedelle.
- ◆ Älä avaa laturia.
- ◆ Älä työnnä mitään laturin sisään.
- ◆ Lataa laite/työkalu/akku paikassa, jossa on kunnollinen ilmanvaihto.

Sähköturvallisuus

Laturin symbolit



Lue nämä ohjeet huolellisesti ennen laitteen käyttöä.



Tämä työkalu on kaksoiseristetty, joten erillistä maadoitusta ei tarvita. Tarkista aina, että verkkovirran jännite vastaa tyyppikilpeen merkittyä jännitettä.



Laturi on tarkoitettu ainoastaan sisäkäyttöön.

Laitteessa olevat merkinnät

Työkaluun on merkitty päivämääräkoodi sekä seuraavat symbolit:



Lue tämä käyttöopas huolellisesti ennen laitteen käyttöä.



Pidä hiukset poissa harjoista, aukoista ja muista liikkuvista osista.

Ominaisuudet

Tämä kone sisältää kaikki seuraavat ominaisuudet tai joitakin niistä.

1. Virtakytkin
2. Pääkahva

3. Varaustilan ilmaisain
4. Pölysäiliön vapautuspainike
5. Läpinäkyvä pölysäiliö
6. Sykloninen suodatinkokoonpano
7. Pidennysvarren vapautuspainike
8. Pidennysvarsi
9. Lattiasuulake (sisäänrakennetulla lattiatunnistimella)
- 9b. Beater bar
10. Harjatangon vapautuspainike
11. Lattiasuulakkeen vapautuspainike
12. Rakosuulake
13. Laturi
14. Säilytysasema
15. Akku
16. Akun vapautuspainike
17. Päärunko
18. Pehmeä rullatango (vain REVSV18D1HF)

Käyttö

Akun lataaminen (kuvat A, B)

Toimitettu vakiomallinen laturi lataa kokonaan tyhjän akun täyteen noin 5 tunnissa.

- ◆ Yhdistä laturi (13) sopivaan pistorasiaan ennen kuin laitat siihen akun (15).
- ◆ Aseta akku (15) laturiin (13) kuvan A mukaisesti.
- ◆ Vihreä LED-merkkivalo (13a) vilkkuu käynnissä olevan latauksen merkiksi.
- ◆ Kun lataus on valmis, vihreä LED-valo (13a) jää palamaan jatkuvasti. Akku on täysin ladattu ja sitä voidaan käyttää heti tai sen voi jättää laturiin.

Huomaa: Lataa tyhjenneet akut mahdollisimman pian käytön jälkeen, muutoin akun käyttöikä voi lyhentyä.

Huomaa: Akku voidaan jättää laturiin, kun vihreä merkkivalo palaa.

Laturi pitää akun käyttövalmiina ja ladattuna.

Tärkeitä huomautuksia lataamiseen

- ◆ Optimaalinen käyttöikä ja paras suorituskyky saavutetaan, kun akkua ladataan lämpötilassa 18 °C – 24 °C. ÄLÄ lataa akkua alle +4,5 °C tai yli +40,5 °C lämpötilassa. Tämä on tärkeää ja se estää akun vakavat vauriot.
- ◆ Laturi ja akku voivat kuumentua latauksen aikana. Tämä on normaalia, eikä ole osoitus ongelmasta. Jotta akku jäähtyisi käytön jälkeen, vältä asettamasta laturia tai akkua lämpimään ympäristöön, kuten metallikoteloon tai eristämättömän perävaunun päälle.
- ◆ Jos akku ei lataudu oikein:
 - ◆ Tarkista pistorasian sähkövirta kytkemällä siihen lamppu tai jokin muu laite.
 - ◆ Tarkista valojen sammuttamisen yhteydessä virran katkaisevaa valokytintä liitetty pistorasiaan.
 - ◆ Siirrä laturi ja akku paikkaan, jossa ympäristölämpötila on noin 18 °C - 24 °C.

- ◆ Jos latausongelmat jatkuvat, vie työkalu akun ja laturin ohella paikalliseen huoltopalveluun.
 - ◆ Akku täytyy ladata uudelleen, kun se ei enää tuota riittävää tehoa töissä, joka voitiin aikaisemmin tehdä helposti. ÄLÄ JATKA TYÖKALUN KÄYTTÖÄ näissä olosuhteissa. Noudata latausohjeita. Voit halutessasi myös ladata osittain käytetyn akun milloin tahansa, ilman että siitä olisi haittaa akulle.
 - ◆ Vieraat johtavat aineet, kuten teräsvilla, alumiinifolio tai metallihiukkaskertymät, niihin kuitenkin rajoittumatta, on pidettävä poissa laturin aukoista. Irrota laturi aina tehonsyötöstä, kun laturissa ei ole akkua. Irrota laturi tehonsyötöstä ennen kuin yrität puhdistaa sitä.
 - ◆ Älä pakasta tai upota laturia veteen tai muihin nesteisiin.
- Varoitus!** Älä päästä nestettä laturin sisään. Älä koskaan yritä avata akkua mistään syystä. Jos akun muovikotelo rikkoutuu tai halkeaa, palauta se huoltopalveluun kierrätystä varten.

Varaustilan ilmaisain (kuva C)

Tässä imurissa on varaustilan ilmaisain (3), jossa on kolme LED-merkkivaloa. Merkkivalot osoittavat akun jäljelle jäävän virtatason. Tämä ominaisuus aktivoituu vain, kun imuri on päällä ja kun imuri on latauksessa. Varaustilan ilmaisain osoittaa akun lataustason likimääräisesti. Akun LED-merkkivalo näyttää jäljellä olevan latauksen ja varoittaa, kun akkuvirta on vähissä. Viimeinen LED-merkkivalo vilkkuu jatkuvasti, kun käyttöaika on jäljellä vain hyvin vähän.

Huomaa: Varaustilan ilmaisain osoittaa akkuvirran tason ainoastaan viitteellisesti.

Se ei osoita työkalun toiminnallisuutta ja se voi vaihdella tuoteosien, lämpötilan ja loppukäyttäjän käytön mukaan.

Akun asentaminen ja irrottaminen (kuva D)

Varoitus! Varmista, että imuri on kytketty pois päältä ennen akun poistamista tai asentamista.

Akun asentaminen

- ◆ Aseta akku (15) imuriin (15b), kunnes kuulet napsahduksen (kuva D).
- ◆ Varmista, että akku on kokonaan paikoillaan ja lukittu paikoilleen.

Akun poistaminen

- ◆ Paina akun vapautuspainiketta (16) kuvan D mukaisesti ja vedä akku irti imurista.

Kokoaminen (kuvat E, F, G)

Tätä imuria voidaan käyttää jollakin neljästä tavasta.

- ◆ Jatkoputkella ja lattiasuulakkeella kuvan E mukaisesti.
 - ◆ Kohdista jatkoputken (8) yläosa imurin päärungon tuloaukkoon kuvan E mukaisesti.
 - ◆ Työnnä jatkoputki (8) imurin tuloaukkoon niin, että se lukittuu paikalleen.
 - ◆ Kohdista jatkoputken (8) alaosa lattiasuulakkeeseen (9) kuvan E mukaisesti.

- ◆ Työnnä jatkoputken (8) alaosa lattiasuulakkeeseen (9) niin, että se lukittuu paikalleen.
- ◆ Irrota putki painamalla jatkoputkessa olevaa pidennysvarren vapautuspainiketta (7) ja vetämällä liitetty lisävaruste varovasti irti.
- ◆ Päärungolla ja lattiasuulakkeella kuvan F mukaisesti.
- ◆ Jatkoputkella ja rakosuulakkeella kuvan G(3) mukaisesti.
- ◆ Päärungolla ja rakosuulakkeella kuvan G(4) mukaisesti.

Varoitus! Kun laitetta ei käytetä, aseta se imurin takaosa seinään päin niin, että mahdollisen kaatumisen yhteydessä laite osuu seinään eikä ihmisiin tai kotieläimiin.

Käynnistys ja sammutus (kuva H)

- ◆ Kytkeäkseen laitteen päälle, paina virtapainiketta (1) kerran ja laite käynnistyy lattiatunnistustilassa. Voit siirtyä nopeaan tilaan painamalla painiketta uudelleen.
- ◆ Voit lisätä tehoa painamalla virtapainiketta (1) uudelleen.
- ◆ Paina virtapainiketta (1) kolmannen kerran kytkeäkseen laitteen pois päältä.

Huomaa: Varaustason LED-merkkivalot (3) palavat, kun pölynimuri on päällä.

- ◆ Lataa akku (15) välittömästi käytön jälkeen, jotta se on valmis ja täyteen ladattu seuraavan käyttökerran yhteydessä.

Lattiatunnistin

Lattiatunnistin toimii alhaisella nopeudella. Kun matto havaitaan, laitteen teho nousee automaattisesti suureen nopeuteen. Kun kova lattia havaitaan, laitteen teho laskee alhaiselle nopeudelle.

Imurin puhdistus ja tyhjennys

Varoitus! Sinkoamis-/hengitysvaara: Älä koskaan käytä imuria ilman sen suodatinta.

Varoitus! Suodatinta voidaan käyttää uudelleen, sitä ei saa sekoittaa kertakäyttöiseen pölypussiin eikä sitä saa heittää pois tuotteen tyhjentämisen yhteydessä. Suosittelemme vaihtamaan suodattimen 6–9 kuukauden välein käyttöiheydestä riippuen.

Pölysäiliön tyhjentäminen (kuvat I, J, K, L)

- ◆ Paina pölysäiliön vapautuspainiketta (4) vapauttaaksesi ja irrottaaksesi pölysäiliön (5) imurista.
- ◆ Purista etusormella ja peukalolla suodatinkotelon kielekkeitä ja vedä suodatinkotelo (6) pölysäiliöstä kuvan J mukaisesti.
- ◆ Aseta pölysäiliö roskakorin yläpuolelle ja tyhjennä pölysäiliö kuvan K mukaisesti.
- ◆ Irrota vaahtosuodatin (6a) suodatinkotelosta (6) kuvan L mukaisesti.
- ◆ Ravista tai harjaa kevyesti irtonainen pöly vaahtosuodattimen kotelosta ja suodattimesta.
- ◆ Huuhtelee pölysäiliö (5) lämpimällä saippuavedellä.
- ◆ Pese suodattimet lämpimällä saippuavedellä.

- ◆ Varmista, että suodattimet ovat täysin kuivia, ennen kuin asennat suodattimet takaisin suodatinkoteloon.
- ◆ Asenna puhdas ja kuiva vaahtosuodatin (6a) takaisin suodatinkoteloon (6).
- ◆ Asenna suodatinkotelo pölysäiliöön (5).
- ◆ Asenna pölysäiliö pölynimuriin, kunnes se napsahtaa tukevasti paikalleen.

Harjarullan irrottaminen ja puhdistaminen (kuvat M, N, O, P)

Varoitus! Liikkuvien osien aiheuttaman loukkaantumisvaaran vähentämiseksi irrota lattiasuulake ja jatkoputki imurista ennen puhdistusta tai huoltoa.

- ◆ Harjatanko (9b tai 18) voidaan irrottaa lattiasuulakkeesta (9) työntämällä harjatangon vapautuspainike (10) laitteen takaosa kohti.
- ◆ Harjatanko (9b tai 18) voidaan nyt poistaa ja puhdistaa.

Turvallinen säilytys (kuva Q)

Laitetta voidaan säilyttää turvallisesti asettamalla päärungon takana oleva salpa säilytysasemaan (14) kuvan Q mukaisesti.

Varoitus! Kun laitetta ei käytetä, aseta se imurin takaosa seinään päin niin, että mahdollisen kaatumisen yhteydessä laite osuu seinään eikä ihmisiin tai kotieläimiin.

Vianmääritys

Ongelma	Mahdollinen syy	Mahdollinen ratkaisu
Laite ei käynnisty.	Akkua ei ole asennettu oikein. Akku ei ole latautunut.	Tarkista akun asennus. Tarkista akun latausvaatimukset.
Akku ei lataudu.	Akkua ei ole asetettu laturiin. Laturia ei ole kytketty pistorasiaan. Ympäristölämpötila on liian korkea tai liian alhainen.	Aseta akku laturiin, kunnes vihreä LED-valo syttyy. Kytke laturi pistorasiaan. Katso lisätietoa osiosta "Tärkeitä huomautuksia lataamiseen". Tarkista pistorasian sähkövirta kytkemällä siihen lamppu tai jokin muu laite. Tarkista valojen sammuttamisen yhteydessä, onko virran katkaisevaa valokytkintä liitetty pistorasiaan. Siirrä laturi tai työkalu yli 4,5 °C tai alle +40,5 °C ympäristölämpötilaan.

Huolto

BLACK+DECKERin johdoton laite on suunniteltu toimimaan mahdollisimman pitkän aikaa mahdollisimman vähällä huollolla. Oikea käsittely ja säännöllinen puhdistus varmistavat laitteen ongelmattoman toiminnan.

Varoitus! Toimi ennen johdottomien laitteiden huoltoa seuraavasti:

- ◆ Sammuta laite ja irrota akku.
- ◆ Irrota laturi sähköverkosta ennen sen puhdistamista. Laturi ei tarvitse säännöllisen puhdistamisen lisäksi mitään muuta huoltoa.
- ◆ Puhdista laitteen/laturin ilma-aukot säännöllisesti pehmeällä harjalla tai kuivalla kangasliinalla.
- ◆ Puhdista moottorin kotelo säännöllisesti kostealla rätillä. Älä käytä hankaavia tai liuotinpohjaisia puhdistusaineita.

Suodattimien vaihtaminen

Suodattimet on hyvä vaihtaa 6–9 kuukauden välein ja aina, kun ne ovat kuluneet tai vahingoittuneet. Vaihtosuodattimia saat BLACK+DECKER-jälleenmyyjältä.

- ◆ Poista vanhat suodattimet yllä kuvatulla tavalla.
- ◆ Aseta uudet suodattimet paikalleen yllä kuvatulla tavalla.

Ympäristönsuojelu



Toimita tämä laite erilliskeräykseen. Tällä symbolilla merkityitä tuotteita ja akkuja ei saa hävittää tavallisen kotitalousjätteen mukana.

Tuotteissa ja akuissa on materiaaleja, jotka voidaan ottaa talteen tai kierrättää uudelleen käyttöä varten.

Kierrätä sähkölaitteet ja akut paikallisten määräyksien mukaan. Lisätietoa on saatavilla osoitteessa www.2helpU.com

Tekniset tiedot

REVSV18D tyyppi 1	
Jännite	18 V _{dc}
Wattituntia	36 Wh (18 V 2,0 Ah akku)
Arvioitu latausaika	5 tuntia
Paino	3 kg

Laturi	S010**2400040/SSC-250040**	
Tulojännite	V _{ac}	100 - 240
Lähtöjännite	V _{dc}	8 - 20
Virta	mA	400
Arvioitu latausaika	Tunnit	5

Akku		BDL1518 BDL1518E	BDL2018 BDL2018E	BDL2518 BDL2518E
Jännite	V _{dc}	18	18	18
Kapasiteetti	Ah	1,5	2,0	2,5
Tyyppi		Litiumioni	Litiumioni	Litiumioni

Takuu

Black & Decker on vakuuttanut tuotteidensa korkeasta laadusta ja tarjoaa kuluttajille 24 kuukauden takuun, joka astuu voimaan ostopäivänä.

Takuu on lisäys kuluttajan laillisiin oikeuksiin eikä vaikuta niihin. Tämä takuu on voimassa kaikissa EU- ja ETA-maissa sekä Ilossa-Britanniassa.

Edellytyksenä takuun saamiselle on, että vaade täyttää Black&Deckerin ehdot ja että ostaja toimittaa ostotositteen jälleenmyyjälle tai valtuutetulle huoltoliikkeelle. Black&Decker -yhtiön kahden vuoden takuun ehdot ja lähimmän valtuutetun korjauspalvelun tiedot ovat saatavilla osoitteessa www.2helpU.com tai ottamalla yhteyttä paikalliseen Black & Decker -toimipisteeseen tämän ohjekirjan osoitteeseen.

Vieraile verkkosivuillemme www.blackanddecker.eu uuden Black & Decker -tuotteen rekisteröimiseksi ja saadaksesi uusia tuotepäivityksiä sekä erikoistarjouksia.

(Μετάφραση των πρωτότυπων οδηγιών)

ΕΛΛΗΝΙΚΑ

Προβλεπόμενη χρήση

Η ηλεκτρική σκούπα μπαταρίας BLACK+DECKER REVSV18D, REVSV18D1HF έχει σχεδιαστεί για ηλεκτρικό σκούπισμα. Αυτή η συσκευή προορίζεται μόνο για οικιακή χρήση.



Διαβάστε προσεκτικά όλο το περιεχόμενο αυτού του εγχειριδίου πριν χρησιμοποιήσετε τη συσκευή.

Οδηγίες ασφαλείας



Προειδοποίηση! Διαβάστε όλες τις προειδοποιήσεις ασφαλείας και όλες τις οδηγίες. Η μη τήρηση των προειδοποιήσεων και των οδηγιών που αναφέρονται παρακάτω μπορεί να έχει ως αποτέλεσμα ηλεκτροπληξία, πυρκαγιά και/ή σοβαρή σωματική βλάβη.

- ◆ Η προβλεπόμενη χρήση περιγράφεται σε αυτό το εγχειρίδιο.

Η χρήση οποιουδήποτε αξεσουάρ ή εξαρτήματος εργασίας αλλά και η πραγματοποίηση με τη συσκευή οποιασδήποτε εργασίας που δεν συνιστάται στο παρόν εγχειρίδιο οδηγιών, εγκυμονεί κίνδυνο τραυματισμού.

- ♦ Φυλάξτε αυτό το εγχειρίδιο για μελλοντική αναφορά.
- ♦ Η συσκευή αυτή περιέχει μπαταρίες οι οποίες μπορούν να αντικατασταθούν μόνο από εξειδικευμένα άτομα.

Χρήση της συσκευής σας

- ♦ Μη χρησιμοποιείτε τη συσκευή για να περισυλλέξετε υγρά, ή οποιαδήποτε υλικά θα μπορούσαν να πιάσουν φωτιά.
- ♦ Μη χρησιμοποιήσετε τη συσκευή χωρίς να είναι στη θέση τους ο κάδος συλλογής σκόνης και/ή τα φίλτρα
- ♦ Μη χρησιμοποιείτε τη συσκευή κοντά σε νερό.
- ♦ Μη βυθίσετε τη συσκευή σε νερό.
- ♦ Μην τοποθετήσετε κανενός είδους αντικείμενο μέσα στα ανοίγματα. Μη χρησιμοποιήσετε το προϊόν αν οποιοδήποτε ανοίγμα είναι φραγμένο. Διατηρείτε το απαλλαγμένο από σκόνη, χνουδία, τρίχες και οτιδήποτε μπορεί να ελαττώσει τη ροή του αέρα.
- ♦ Κρατάτε μαλλιά, χαλαρά ρούχα, δάκτυλα και όλα τα μέρη του σώματος μακριά από ανοίγματα και κινούμενα μέρη.
- ♦ Ποτέ μην αποσυνδέετε τον φορτιστή από την πρίζα τραβώντας τον από το καλώδιό του.

Διατηρείτε το καλώδιο φορτιστή σε απόσταση από πηγές θερμότητας, λάδια και κοφτερές αιχμές.

- ♦ Αυτή η συσκευή μπορεί να χρησιμοποιηθεί από παιδιά ηλικίας 8 ετών και άνω καθώς και από άτομα με μειωμένες σωματικές, αισθητηριακές ή διανοητικές ικανότητες ή άτομα χωρίς εμπειρία και γνώσεις, μόνο εφόσον επιτηρούνται ή τους έχουν δοθεί οδηγίες σχετικά με την ασφαλή χρήση της συσκευής και έχουν κατανοήσει τους πιθανούς κινδύνους.

Τα παιδιά δεν πρέπει να παίζουν με τη συσκευή. Ο καθαρισμός και η συντήρηση από τον χρήστη δεν πρέπει να γίνονται από παιδιά χωρίς επίβλεψη.

Έλεγχος και επισκευή

Πριν από τη χρήση, ελέγξτε τη συσκευή σας για τυχόν εξαρτήματα που παρουσιάζουν ζημιά ή ελάττωμα. Ελέγξτε αν υπάρχουν σπασμένα εξαρτήματα, ζημιά σε διακόπτες και οτιδήποτε άλλο μπορεί να επηρεάσει τη λειτουργία της.

- ♦ Μη χρησιμοποιήσετε τη συσκευή αν οποιοδήποτε εξάρτημα παρουσιάζει ζημιά ή ελάττωμα.
- ♦ Φροντίζετε η επισκευή ή αντικατάσταση των εξαρτημάτων που τυχόν έχουν υποστεί ζημιά ή βλάβη να γίνεται από εξουσιοδοτημένο αντιπρόσωπο επισκευών.
- ♦ Ελέγχετε τακτικά την κατάσταση του καλωδίου του φορτιστή για τυχόν ζημιά.

Σε περίπτωση που το καλώδιο του φορτιστή παρουσιάζει ζημιά ή ελάττωμα, αντικαταστήστε τον φορτιστή.

- ♦ Μην επιχειρήσετε ποτέ να αφαιρέσετε ή να αντικαταστήσετε οποιοδήποτε εξάρτημα, εκτός από αυτά που καθορίζονται στο παρόν εγχειρίδιο.

Πρόσθετες οδηγίες ασφαλείας

Μετά τη χρήση

- ♦ Πριν καθαρίσετε τον φορτιστή ή τη βάση φόρτισης, αποσυνδέστε τον φορτιστή από την πρίζα.
- ♦ Όταν δεν χρησιμοποιείται, η συσκευή πρέπει να φυλάσσεται σε χώρο χωρίς υγρασία.
- ♦ Τα παιδιά δεν πρέπει να έχουν πρόσβαση σε αποθηκευμένες συσκευές.

Υπολειπόμενοι κίνδυνοι

Κατά τη χρήση του εργαλείου μπορεί να δημιουργηθούν πρόσθετοι υπολειπόμενοι κίνδυνοι, οι οποίοι ενδέχεται να μη συμπεριλαμβάνονται στις προειδοποιήσεις ασφαλείας που εσωκλείονται. Αυτοί οι κίνδυνοι μπορούν να προκύψουν από κακή χρήση, παρατεταμένη χρήση κλπ.

Ακόμα και με την εφαρμογή των σχετικών κανονισμών ασφαλείας και την εφαρμογή διατάξεων ασφαλείας, ορισμένοι υπολειπόμενοι κίνδυνοι δεν μπορούν να αποφευχθούν. Σ' αυτούς περιλαμβάνονται:

- ♦ Τραυματισμοί από επαφή με περιστρεφόμενα/ κινούμενα μέρη.

- ♦ Τραυματισμοί προκαλούμενοι κατά την αλλαγή οποιωνδήποτε εξαρτημάτων, λεπίδων ή αξεσουάρ.
- ♦ Σωματικές βλάβες προκαλούμενες από παρατεταμένη χρήση εργαλείου. Όταν χρησιμοποιείτε οποιοδήποτε εργαλείο για παρατεταμένα χρονικά διαστήματα, μην παραλείπετε με κανένα τρόπο να κάνετε τακτικά διαλείμματα.
- ♦ Βλάβη της ακοής.
- ♦ Κίνδυνοι στην υγεία που προκαλούνται από την εισπνοή σκόνης όταν χρησιμοποιείτε το εργαλείο (παραδείγματα:- όταν επεξεργάζεστε ξύλο, ειδικά δρυ, οξιά και MDF).

Μπαταρίες και φορτιστές

Μπαταρίες (μπορεί να πωλούνται χωριστά)

- ♦ Οι επαναφορτιζόμενες μπαταρίες πρέπει να αφαιρούνται από τη συσκευή πριν φορτιστούν.
- ♦ Οι μπαταρίες πρέπει να τοποθετούνται με τη σωστή πολικότητα.
- ♦ Οι μπαταρίες που έχουν εξαντληθεί πρέπει να αφαιρούνται από τη συσκευή και να απορρίπτονται με ασφαλή τρόπο.
- ♦ Αν η συσκευή πρόκειται να αποθηκευτεί για μεγάλο χρονικό διάστημα χωρίς να χρησιμοποιείται, οι μπαταρίες πρέπει να αφαιρεθούν.
- ♦ Οι ακροδέκτες τροφοδοσίας δεν πρέπει να βραχυκυκλωθούν.
- ♦ Ποτέ μην επιχειρήσετε να τις ανοίξετε, για κανένα λόγο.

- Μην εκθέτετε την μπαταρία σε νερό.
- Μην εκθέτετε την μπαταρία σε θερμότητα.
- Μην αποθηκεύετε σε θέσεις όπου η θερμοκρασία ενδέχεται να υπερβεί τους 40 °C.
- Η φόρτιση πρέπει να γίνεται μόνο σε θερμοκρασίες περιβάλλοντος μεταξύ 10 °C και 40 °C.
- Η φόρτιση πρέπει να γίνεται μόνο με τον φορτιστή που παρέχεται μαζί με τη συσκευή/εργαλείο.
Η χρήση λανθασμένου φορτιστή θα μπορούσε να επιφέρει ηλεκτροπληξία, ή υπερθέρμανση της μπαταρίας.
- Όταν απορρίπτετε μπαταρίες, ακολουθείτε τις οδηγίες στην ενότητα “Προστασία του περιβάλλοντος”.
- Μην καταστρέψετε/παραμορφώνετε το πακέτο μπαταριών είτε τρυπώντας είτε χτυπώντας το, γιατί μπορεί να προκληθεί κίνδυνος τραυματισμού και πυρκαγιάς.
- Μη φορτίζετε μπαταρίες που έχουν υποστεί ζημιά.
- Κάτω από ακραίες συνθήκες, μπορεί να επέλθει διαρροή υγρών της μπαταρίας. Αν παρατηρήσετε υγρό πάνω στις μπαταρίες, σκουπίστε το προσεκτικά με ένα πανί. Αποφύγετε την επαφή με το δέρμα.
- Στην περίπτωση επαφής με το δέρμα ή τα μάτια, ακολουθήστε τις παρακάτω οδηγίες.

Προειδοποίηση! Το υγρό της μπαταρίας μπορεί να προκαλέσει σωματικές βλάβες ή υλικές ζημιές.

Σε περίπτωση επαφής με το δέρμα, ξεπλύνετε αμέσως με άφθονο νερό. Αν παρουσιαστεί κοκκίνισμα του δέρματος, πόνος ή ερεθισμός, ζητήστε ιατρική βοήθεια. Σε περίπτωση επαφής με τα μάτια, ξεπλύνετε αμέσως με καθαρό νερό και ζητήστε ιατρική βοήθεια.

Φορτιστές (μπορεί να πωλούνται χωριστά)

Ο φορτιστής σας είναι σχεδιασμένος για συγκεκριμένη ηλεκτρική τάση. Πάντα ελέγχετε ότι η τάση ρεύματος δικτύου ανταποκρίνεται στην τάση που αναφέρεται στην πινακίδα στοιχείων και στις πληροφορίες στον πίνακα τεχνικών χαρακτηριστικών.

Προειδοποίηση! Ποτέ μην επιχειρήσετε να αντικαταστήσετε τη μονάδα φορτιστή με κανονικό φως ρεύματος δικτύου.

- Ο φορτιστής BLACK+DECKER πρέπει να χρησιμοποιείται αποκλειστικά και μόνο για τη φόρτιση της μπαταρίας στη συσκευή/στο εργαλείο που συνόδευε. Άλλες μπαταρίες ενδέχεται να εκραγούν, προκαλώντας τραυματισμό από μωμν και ζημιές.
- Ποτέ μην επιχειρήσετε να φορτίσετε μη επαναφορτιζόμενες μπαταρίες.
- Αν το καλώδιο ρεύματος έχει υποστεί ζημιά, η αντικατάστασή του πρέπει να γίνει από τον κατασκευαστή ή από ένα εξουσιοδοτημένο κέντρο σέρβις της BLACK+DECKER, ώστε να μη δημιουργηθεί κίνδυνος.
- Μην εκθέτετε τον φορτιστή σε νερό.
- Μην ανοίξετε τον φορτιστή.

- ♦ Μην εισάγετε οποιαδήποτε αντικείμενα μέσα στον φορτιστή.
- ♦ Κατά τη φόρτιση, η συσκευή/το εργαλείο/η μπαταρία πρέπει να βρίσκεται σε καλά αεριζόμενο χώρο.

Ασφάλεια χρήσης ηλεκτρικού ρεύματος

Σύμβολα επάνω στον φορτιστή



Πριν χρησιμοποιήσετε τη συσκευή διαβάστε προσεκτικά ολόκληρο το εγχειρίδιο.



Αυτό το εργαλείο φέρει διπλή μόνωση και επομένως δεν απαιτείται καλώδιο γείωσης. Ελέγχετε πάντα ότι η παροχή ρεύματος αντιστοιχεί στην τάση που αναφέρεται στην πινακίδα στοιχείων.



Η βάση φόρτισης προορίζεται για χρήση μόνο σε εσωτερικούς χώρους.

Ετικέτες πάνω στη συσκευή

Αυτή η συσκευή φέρει τα παρακάτω προειδοποιητικά σύμβολα μαζί με τον κωδικό ημερομηνίας



Πριν χρησιμοποιήσετε τη συσκευή διαβάστε προσεκτικά ολόκληρο το εγχειρίδιο



Κρατάτε τα μαλλιά σας μακριά από βούρτσες, ανοίγματα και άλλα κινούμενα μέρη

Χαρακτηριστικά

Στο εργαλείο αυτό διατίθενται ορισμένα ή όλα τα παρακάτω χαρακτηριστικά.

1. Κομπι λειτουργίας on/off
2. Κύρια λαβή
3. Ενδεικτική λυχνία κατάσταση φόρτισης
4. Κομπι απασφάλισης του κάδου συλλογής σκόνης
5. Διαφανής κάδος συλλογής σκόνης
6. Συγκρότημα κυκλωνικού φίλτρου
7. Κομπι απασφάλισης κονταριού επέκτασης
8. Κοντάρι προέκτασης
9. Κεφαλή δαπέδου (με ενσωματωμένο ανιχνευτή δαπέδου)
- 9b. Μπάρα Beater
10. Κομπι απασφάλισης της περιστροφικής βούρτσας
11. Κομπι απασφάλισης της κεφαλής δαπέδου
12. Εργαλείο για χαραμάδες
13. Φορτιστής
14. Σταθμός φύλαξης
15. Πακέτο μπαταριών
16. Κομπι απασφάλισης πακέτου μπαταριών
17. Κύρια μονάδα

18. Μαλακό ρολό χτυπητήρι (μόνο REVS18D1HF)

Χρήση

Φόρτιση της μπαταρίας (Εικ. Α, Β)

Ο κανονικός φορτιστής που παρέχεται θα φορτίσει μια πλήρως εξαντλημένη μπαταρία σε περίπου 5 ώρες

- ♦ Συνδέστε τον φορτιστή (13) σε κατάλληλη πρίζα πριν εισάγετε το πακέτο μπαταριών (15).
- ♦ Εισάγετε το πακέτο μπαταριών (15) στον φορτιστή (13) όπως δείχνει η εικόνα Α.
- ♦ Η πράσινη λυχνία LED (13a) θα αναβοσβήνει υποδεικνύοντας ότι η μπαταρία φορτίζεται.
- ♦ Η ολοκλήρωση της φόρτισης υποδεικνύεται από τη σταθερά αναμμένη πράσινη λυχνία LED (13a). Το πακέτο μπαταρίας είναι πλήρως φορτισμένο και μπορεί να χρησιμοποιηθεί άμεσα ή να παραμείνει στο φορτιστή.

Σημείωση: Επαναφορτίστε τις αποφορτισμένες μπαταρίες το συντομότερο δυνατόν μετά τη χρήση τους, διαφορετικά μπορεί να μειωθεί πολύ η διάρκεια ζωής τους.

Σημείωση: Ο φορτιστής και το πακέτο μπαταριών μπορούν να παραμείνουν συνδεδεμένα επ' αόριστον με την πράσινη λυχνία LED αναμμένη.

Ο φορτιστής θα διατηρεί το πακέτο μπαταριών σε βέλτιστη κατάσταση και πλήρως φορτισμένο.

Σημαντικές επισημάνσεις για τη φόρτιση

- ♦ Μπορείτε να επιτύχετε τη μέγιστη διάρκεια ζωής και την καλύτερη απόδοση αν το πακέτο μπαταριών φορτίζεται όταν η θερμοκρασία αέρα είναι 18 °C - 24 °C. ΜΗ φορτίζετε το πακέτο μπαταριών σε θερμοκρασία αέρα κάτω από τους +4,5 °C ή πάνω από τους +40,5 °C. Αυτό είναι σημαντικό και θα αποτρέψει σοβαρή ζημιά στο πακέτο μπαταριών.
- ♦ Ο φορτιστής και το πακέτο μπαταριών μπορούν να θερμανθούν αισθητά κατά τη φόρτιση. Αυτό είναι κανονικό φαινόμενο και όχι ένδειξη προβλήματος. Για να διευκολύνετε την ψύξη του πακέτου μπαταριών μετά τη χρήση, αποφεύγετε να τοποθετείτε το φορτιστή ή το πακέτο μπαταριών σε θερμό περιβάλλον, όπως σε μεταλλικό παράπηγμα ή σε μη μονωμένο τρέιλερ.
- ♦ Αν το πακέτο μπαταριών δεν φορτίζεται σωστά:
 - ♦ Ελέγξτε το ρεύμα στην πρίζα συνδέοντας ένα φωτιστικό ή άλλη ηλεκτρική συσκευή.
 - ♦ Ελέγξτε μήπως η πρίζα συνδέεται σε διακόπτη φώτων που διακόπτει το ρεύμα όταν σβήνετε τα φώτα.
 - ♦ Μετακινήστε το φορτιστή και το πακέτο μπαταριών σε θέση όπου η θερμοκρασία αέρα περιβάλλοντος είναι περίπου 18 °C - 24 °C.
 - ♦ Αν τα προβλήματα φόρτισης επιμένουν, παραδώστε το εργαλείο, το πακέτο μπαταριών και το φορτιστή στο τοπικό σας κέντρο σέρβις.
- ♦ Το πακέτο μπαταριών πρέπει να επαναφορτίζεται όταν δεν είναι σε θέση να παράγει επαρκή ισχύ σε εργασίες που εκτελούνταν εύκολα προηγουμένως.

ΜΗ ΣΥΝΕΧΙΣΤΕ τη χρήση υπό αυτές τις συνθήκες. Ακολουθήστε τη διαδικασία φόρτισης. Μπορείτε επίσης να φορτίσετε όποτε επιθυμείτε ένα πακέτο μπαταριών που δεν έχει εξαντληθεί πλήρως, χωρίς αυτό να έχει αρνητικές συνέπειες στο πακέτο μπαταριών.

- ♦ Τα ξένα υλικά με αγώγιμες ιδιότητες, όπως είναι, αλλά χωρίς περιορισμό σε αυτά, το σύρμα τριψίματος, το αλουμινόχαρτο ή οποιαδήποτε συσσώρευση μεταλλικών σωματιδίων, θα πρέπει να διατηρούνται μακριά από τις κοιλότητες του φορτιστή.
- ♦ Πάντα αποσυνδέετε τον φορτιστή από την παροχή ρεύματος όταν δεν υπάρχει πακέτο μπαταριών μέσα στην κοιλότητα του φορτιστή. Αποσυνδέετε τον φορτιστή από την πρίζα πριν επιχειρήσετε να τον καθαρίσετε.
- ♦ Μην αφήσετε τον φορτιστή να παγώσει και μη τον βυθίσετε σε νερό ή οποιοδήποτε άλλο υγρό.

Προειδοποίηση! Μην επιτρέψετε να εισέλθει οποιοδήποτε υγρό μέσα στον φορτιστή. Ποτέ μην επιχειρήσετε να ανοίξετε το πακέτο μπαταριών, για κανένα λόγο. Αν το πλαστικό περίβλημα του πακέτου μπαταριών σπάσει ή ραγίσει, επιστρέψτε το πακέτο σε κέντρο σέρβις για ανακύκλωση.

Ενδεικτική λυχνία κατάστασης φόρτισης (Εικ. C)

Αυτή η συσκευή περιλαμβάνει μια ενδεικτική λυχνία κατάστασης φόρτισης (3) που αποτελείται από τρεις λυχνίες LED που υποδηλώνουν το επίπεδο φόρτισης που απομένει στην εκάστοτε μπαταρία. Αυτή η δυνατότητα ενεργοποιείται μόνο όταν είναι ενεργοποιημένη η ηλεκτρική σκούπα και κατά τη φόρτισή της.

Η ενδεικτική λυχνία κατάστασης φόρτισης είναι μια προσεγγιστική ένδειξη του επιπέδου φόρτισης που απομένει στο πακέτο μπαταριών.

Η ένδειξη LED για την μπαταρία δείχνει την υπολειπόμενη φόρτιση και σας προειδοποιεί όταν το επίπεδο φόρτισης της μπαταρίας είναι χαμηλό.

Η τελική λυχνία LED θα αναβοσβήνει συνεχόμενα όταν υπολείπεται μόνο λίγος χρόνος λειτουργίας.

Σημείωση: Η ενδεικτική λυχνία κατάστασης φόρτισης αποτελεί απλά μια ένδειξη του επιπέδου φόρτισης που έχει απομείνει στην μπαταρία.

Δεν δείχνει τη λειτουργικότητα του εργαλείου και υπόκειται σε μεταβολές βάσει των εξαρτημάτων του προϊόντος, της θερμοκρασίας και της εφαρμογής του τελικού χρήστη.

Εγκατάσταση και αφαίρεση της μπαταρίας (Εικ. D)

Προειδοποίηση! Βεβαιωθείτε ότι το σκουπάκι είναι απενεργοποιημένο πριν αφαιρέσετε ή εγκαταστήσετε την μπαταρία.

Για την εγκατάσταση του πακέτου μπαταριών

- ♦ Εισαγάγετε το πακέτο μπαταριών (15) στη σκούπα (15b) έως ότου ακούσετε χαρακτηριστικό ήχο κλικ (Εικόνα D).

Βεβαιωθείτε ότι το πακέτο μπαταριών έχει εδράσει πλήρως και έχει ασφαλίσει πλήρως στη θέση του.

Για να αφαιρέσετε το πακέτο μπαταριών

- ♦ Πατήστε το κουμπί απελευθέρωσης μπαταρίας (16) όπως δείχνει η Εικόνα D και τραβήξτε το πακέτο μπαταριών έξω από τη σκούπα.

Συναρμολόγηση (Εικ. E, F, G)

Αυτή η ηλεκτρική σκούπα μπορεί να χρησιμοποιηθεί με έναν από τέσσερις τρόπους.

- ♦ Με τον σωλήνα επέκτασης και την κεφαλή δαπέδου όπως δείχνει η εικόνα E.
- ♦ Ευθυγραμμίστε το πάνω μέρος του σωλήνα επέκτασης (8) με την είσοδο αναρρόφησης στην κύρια μονάδα όπως δείχνει η εικόνα E.
- ♦ Σπρώξτε τον σωλήνα επέκτασης (8) στην είσοδο αναρρόφησης ώστε να ασφαλίσει στη θέση του.
- ♦ Ευθυγραμμίστε το κάτω μέρος του σωλήνα επέκτασης (8) με την κεφαλή δαπέδου (9) όπως δείχνει η εικόνα E.
- ♦ Σπρώξτε το κάτω μέρος του σωλήνα επέκτασης (8) πάνω στην κεφαλή δαπέδου (9) ώστε να ασφαλίσει στη θέση του.
- ♦ Για να αφαιρέσετε τον σωλήνα, πατήστε το κουμπί απασφάλισης κονταριού επέκτασης (7) που βρίσκεται στον σωλήνα επέκτασης και τραβήξτε προσεκτικά το συνδεδεμένο αξεσουάρ για να το αφαιρέσετε.
- ♦ Με την κύρια μονάδα και την κεφαλή δαπέδου όπως δείχνει η εικόνα F.
- ♦ Με τον σωλήνα επέκτασης και το αξεσουάρ εργαλείου για χαραμάδες όπως δείχνει η εικ. G (3).
- ♦ Με την κύρια μονάδα και το αξεσουάρ εργαλείου για χαραμάδες όπως δείχνει η εικ. G (4).

Προειδοποίηση! Όταν δεν χρησιμοποιείτε τη μονάδα, τοποθετείτε την με την πίσω πλευρά προς ένα τοίχο ώστε σε περίπτωση αθέλητης πτώσης της να έρθει σε επαφή με τον τοίχο και όχι με ανθρώπους ή κατοικίδια.

Ενεργοποίηση και απενεργοποίηση (Εικ. H)

- ♦ Για ενεργοποίηση, πατήστε μία φορά το κουμπί λειτουργίας (on/off) (1) και η μονάδα θα ξεκινήσει σε λειτουργία ανίχνευσης δαπέδου, για απλή λειτουργία υψηλής ταχύτητας πατήστε πάλι το κουμπί.
- ♦ Για αυξημένη ισχύ, πατήστε το κουμπί On/Off (1) μια δεύτερη φορά.
- ♦ Πατήστε το κουμπί On/Off (1) μια τρίτη φορά αν θέλετε να απενεργοποιήσετε τη μονάδα.

Σημείωση: Οι ενδεικτικές λυχνίες LED κατάστασης φόρτισης (3) θα είναι αναμμένες όσο είναι ενεργοποιημένη η σκούπα.

- ♦ Φορτίστε την μπαταρία (15) αμέσως μετά τη χρήση, ώστε να είναι έτοιμη και πλήρως φορτισμένη για την επόμενη χρήση.

Ανίχνευση διαπέδου

Η ανίχνευση διαπέδου είναι ενεργή στη χαμηλή ταχύτητα λειτουργίας.

Όταν ανιχνευτεί κάποιο χαλί, η απόδοση της μονάδας αυξάνεται αυτόματα σε υψηλή ταχύτητα λειτουργίας. Όταν ανιχνευτεί σκληρό δάπεδο, η απόδοση της μονάδας μειώνεται σε χαμηλή ταχύτητα λειτουργίας.

Καθαρισμός και άδειασμα της σκούπας

Προειδοποίηση! Κίνδυνος από εκτοξευόμενα σωματίδια/για την αναπνοή: Ποτέ μη χρησιμοποιήσετε τη σκούπα χωρίς το φίλτρο της.

Προειδοποίηση! Το φίλτρο μπορεί να επαναχρησιμοποιηθεί, μην το θεωρήσετε παρόμοιο με σακούλα συλλογής σκόνης μιας χρήσης, και μην το πετάξετε κατά το άδειασμα του προϊόντος. Συνιστούμε να αντικαθιστάτε το φίλτρο κάθε 6–9 μήνες, ανάλογα με τη συχνότητα χρήσης της συσκευής.

Για να αδειάσετε το δοχείο συλλογής σκόνης (Εικ. I, J, K, L)

- ◆ Πιέστε προς τα κάτω το κουμπί απασφάλισης του δοχείου συλλογής σκόνης (4) για να απασφαλίσετε και να αφαιρέσετε το δοχείο συλλογής σκόνης (5) από τη σκούπα.
- ◆ Χρησιμοποιήστε τον δείκτη και τον αντίχειρά σας να πιέσετε τις προεξοχές του περιβλήματος φίλτρου και τραβήξτε το περίβλημα φίλτρου (6) από το δοχείο συλλογής σκόνης όπως δείχνει η εικόνα J.
- ◆ Τοποθετήστε το δοχείο συλλογής σκόνης πάνω από έναν κάδο απορριμάτων και αδειάστε το όπως δείχνει η εικόνα K.
- ◆ Αφαιρέστε το φίλτρο αφρώδους υλικού (6a) από το περίβλημα φίλτρου (6) όπως δείχνει η εικόνα L.
- ◆ Τινάζτε ή βουρτσίζετε απαλά τη μη προσκολλημένη σκόνη από το περίβλημα του φίλτρου αφρώδους υλικού και από το φίλτρο.
- ◆ Ξεπλύνετε το δοχείο συλλογής σκόνης (5) με χλιαρό σαπουνόνερο.
- ◆ Πλύνετε τα φίλτρα με χλιαρό σαπουνόνερο.
- ◆ Βεβαιωθείτε ότι τα φίλτρα έχουν στεγνώσει τελείως, πριν τα επανατοποθετήσετε μέσα στο περίβλημα φίλτρου.
- ◆ Επανατοποθετήστε το καθαρό και στεγνό φίλτρο αφρώδους υλικού (6a) μέσα στο περίβλημα φίλτρου (6).
- ◆ Εγκαταστήστε το περίβλημα φίλτρου μέσα στο δοχείο συλλογής σκόνης (5).
- ◆ Εγκαταστήστε το δοχείο συλλογής σκόνης στη σκούπα, έως ότου κουμπώσει σταθερά στη θέση του με ήχο "κλικ".

Αφαίρεση και καθαρισμός της περιστροφικής βούρτσας (Εικ. M, N, O, P)

Προειδοποίηση! Για να μειώσετε τον κίνδυνο τραυματισμού από κινούμενα μέρη, αποσυνδέετε την κεφαλή διαπέδου και τον σωλήνα επέκτασης από τη σκούπα πριν από εργασίες καθαρισμού ή σέρβις.

- ◆ Για να αφαιρέσετε την περιστροφική βούρτσα (9b ή 18) από την κεφαλή διαπέδου (9) μετακινήστε το κουμπί απασφάλισης περιστροφικής βούρτσας (10) προς το πίσω μέρος της μονάδας.
- ◆ Η περιστροφική βούρτσα (9b ή 18) μπορεί τώρα να αφαιρεθεί και να καθαριστεί.

Ασφαλής φύλαξη (Εικ. Q)

Μπορείτε να φυλάξετε τη μονάδα με ασφάλεια, όταν δεν την χρησιμοποιείτε, τοποθετώντας το εξάρτημα συγκράτησης στο πίσω μέρος της κύριας μονάδας πάνω στον σταθμό φύλαξης (14) όπως δείχνει η εικόνα Q.

Προειδοποίηση! Όταν δεν χρησιμοποιείτε τη μονάδα, τοποθετείτε την με την πίσω πλευρά προς ένα τοίχο ώστε σε περίπτωση αθέλητης πτώσης της να έρθει σε επαφή με τον τοίχο και όχι με ανθρώπους ή κατοικίδια.

Αντιμετώπιση προβλημάτων

Πρόβλημα	Πιθανή αιτία	Πιθανή λύση
Η μονάδα δεν τίθεται σε λειτουργία.	Η μπαταρία δεν έχει εγκατασταθεί σωστά. Η μπαταρία δεν είναι φορτισμένη.	Ελέγξτε την εγκατάσταση της μπαταρίας. Ελέγξτε τις απαιτήσεις φόρτισης της μπαταρίας
Η μπαταρία δεν φορτίζεται.	Η μπαταρία δεν έχει εισαχθεί στον φορτιστή. Ο φορτιστής δεν έχει συνδεθεί.	Εισάγετε την μπαταρία στον φορτιστή έως ότου ανάψει η LED. Συνδέστε τον φορτιστή σε μια πρίζα που λειτουργεί. Ανατρέξτε στις "Σημαντικές παρατηρήσεις για τη φόρτιση", για περισσότερες λεπτομέρειες. Ελέγξτε το ρεύμα συνδέοντας μία λάμπα ή άλλη ηλεκτρική συσκευή. Ελέγξτε μήπως η πρίζα συνδέεται σε διακόπτη φώτων που διακόπτει το ρεύμα όταν σβήνουν τα φώτα. Μετακινήστε τον φορτιστή και το εργαλείο σε χώρο με θερμοκρασία αέρα περιβάλλοντος πάνω από 4,5 °C ή κάτω από +40,5 °C.

Συντήρηση

Αυτή η συσκευή χωρίς καλώδιο της BLACK+DECKER έχει σχεδιαστεί έτσι, ώστε να λειτουργεί για μεγάλο χρονικό διάστημα με την ελάχιστη δυνατή συντήρηση. Η συνεχής ικανοποιητική λειτουργία του εργαλείου εξαρτάται από τη σωστή φροντίδα και τον τακτικό καθαρισμό του.

Προειδοποίηση! Πριν πραγματοποιήσετε οποιαδήποτε συντήρηση σε συσκευές μπαταρίας:

- ◆ Απενεργοποιήστε τη μονάδα και αφαιρέστε την μπαταρία.

- ◆ Αποσυνδέστε τον φορτιστή από την πρίζα πριν τον καθαρίσετε. Ο φορτιστής σας δεν χρειάζεται καμία άλλη συντήρηση πέραν του τακτικού καθαρισμού.
- ◆ Καθαρίζετε τακτικά τα ανοίγματα αερισμού της συσκευής/ του φορτιστή χρησιμοποιώντας μια μαλακή βούρτσα ή ένα στεγνό πανί.
- ◆ Καθαρίζετε τακτικά το περίβλημα μοτέρ με ένα ελαφρά υγρό πανί. Μη χρησιμοποιείτε καθαριστικά που χαράζουν ή περιέχουν διαλύτες.

Αντικατάσταση των φίλτρων

Τα φίλτρα θα πρέπει να αντικαθίστανται κάθε 6 με 9 μήνες και όταν έχουν φθαρεί ή υποστεί ζημιά. Ανταλλακτικά φίλτρα είναι διαθέσιμα από τον τοπικό σας αντιπρόσωπο της BLACK+DECKER.

- ◆ Αφαιρέστε τα παλιά φίλτρα όπως περιγράφηκε παραπάνω.
- ◆ Τοποθετήστε τα καινούρια φίλτρα όπως περιγράφηκε παραπάνω.

Προστασία του περιβάλλοντος



Χωριστή συλλογή. Τα προϊόντα και οι μπαταρίες που επισημαίνονται με αυτό το σύμβολο δεν πρέπει να απορρίπτονται μαζί με τα κανονικά οικιακά απορρίμματα.

Τα προϊόντα και οι μπαταρίες περιέχουν υλικά που μπορούν να ανακυκλωθούν ή να ανακλυθούν, ώστε να μειωθούν οι ανάγκες για πρώτες ύλες.

Παρακαλούμε να ανακυκλώνετε τα ηλεκτρικά προϊόντα και τις μπαταρίες σύμφωνα με τους τοπικούς κανονισμούς. Περισσότερες πληροφορίες διατίθενται στον ιστότοπο www.2helpU.com

Τεχνικά χαρακτηριστικά

REVSV18D τύπου 1	
Τάση	18 V _{dc}
Βατώρες	36 Wh (πακέτο μπαταριών 18 V 2,0 Ah)
Χρόνος φόρτισης, περίπου	5 ώρες
Βάρος	3 kg

Φορτιστής		S010**2400040/SSC-250040**
Τάση εισόδου	V _{ac}	100 - 240
Τάση εξόδου	V _{dc}	8 - 20
Ρεύμα	mA	400
Χρόνος φόρτισης περ.	Ωρες	5

Μπαταρία		BDL1518 BDL1518E	BDL2018 BDL2018E	BDL2518 BDL2518E
Τάση	V _{dc}	18	18	18

Μπαταρία		BDL1518 BDL1518E	BDL2018 BDL2018E	BDL2518 BDL2518E
Χωρητικότητα	Ah	1,5	2,0	2,5
Τύπος		Li-Ion (ιόντων λιθίου)	Li-Ion (ιόντων λιθίου)	Li-Ion (ιόντων λιθίου)

Εγγύηση

Η Black & Decker είναι σίγουρη για την ποιότητα των προϊόντων της και προσφέρει στους καταναλωτές εγγύηση 24 μηνών από την ημερομηνία αγοράς. Αυτή η εγγύηση αποτελεί πρόσθετη παροχή και με κανένα τρόπο δεν παραβάλλεται τα νόμιμα δικαιώματά σας. Η εγγύηση ισχύει εντός της επικράτειας των χωρών μελών της Ευρωπαϊκής Ένωσης και της Ευρωπαϊκής Ζώνης Ελεύθερων Συναλλαγών καθώς και του Ηνωμένου Βασιλείου.

Για να υποβάλετε αξίωση βάσει της εγγύησης, η αξίωση πρέπει να είναι σύμφωνη με τους Όρους και προϋποθέσεις της Black&Decker και θα χρειαστεί να υποβάλετε απόδειξη αγοράς στον πωλητή ή ένα εξουσιοδοτημένο αντιπρόσωπο σέρβις.

Μπορείτε να δείτε τους Όρους και προϋποθέσεις της εγγύησης 2 ετών της Black & Decker και την τοποθεσία του πλησιέστερου εξουσιοδοτημένου αντιπροσώπου σέρβις, στο Internet στη διεύθυνση www.2helpU.com, ή επικοινωνώντας με το τοπικό σας γραφείο Black & Decker στη διεύθυνση που υποδεικνύεται στο παρόν εγχειρίδιο.

Επισκεφθείτε τον ιστότοπό μας www.blackanddecker.gr για να καταχωρίσετε το καινούργιο προϊόν Black & Decker που αποκτήσατε και για να λαμβάνετε ενημερώσεις σχετικά με νέα προϊόντα και ειδικές προσφορές.

Kullanım amacı Satın almış olduğunuz BLACK+DECKER REVSV18D, REVSV18D1HF şarjlı elektrikli süpürge, vakumlu temizleme amacıyla tasarlanmıştır. Bu cihaz yalnızca ev temizliğinde kullanılmak içindir.



Cihazı çalıştırmadan önce elinizdeki kullanım kılavuzunu baştan sona dikkatle okuyun.

Güvenlik talimatları



Uyarı! Bütün güvenlik uyarılarını ve talimatlarını mutlaka okuyun.

Aşağıda belirtilen uyarılara ve talimatlara uyulmaması, elektrik çarpması, yangın ve/veya ciddi yaralanmalarla sonuçlanabilir.

- ◆ Cihazın kullanım amacı bu kılavuzda açıklanmıştır. Cihazın bu kılavuzda önerilenler haricindeki aksesuar ve ek parçalarla birlikte kullanılması ya da başka amaçlarla çalıştırılması yaralanmalara yol açabilir.
- ◆ İleride bakmak üzere bu kılavuzu saklayın.
- ◆ Bu cihaz yalnızca kalifiye kişiler tarafından değiştirilebilen bataryalar içerir.

Cihazın kullanılması

- ◆ Cihazı, sıvıları veya yanıcı maddeleri toplamak için kullanmayın.
- ◆ Toz haznesi ve/veya filtreler yerinde olmadan kullanmayın
- ◆ Cihazı suya yakın yerlerde kullanmayın.
- ◆ Cihazı suya batırmayın.
- ◆ Deliklere herhangi bir nesne koymayın.

Deliklerden herhangi biri tıkalıyken kullanmayın ve toz, kıl, saç vb. gibi hava akışını azaltabilecek şeyleri temizleyin.

- ◆ Saç, bol elbiseler, parmaklar ve diğer uzuvları açıklıklardan ve hareketli parçalardan uzak tutun.
- ◆ Şarj cihazını prizden çıkarmak için asla şarj kablosunu çekmeyin. Şarj aygıtı kablosunu ısıdan, yağdan ve keskin kenarlardan uzak tutun.
- ◆ Bu alet, 8 yaşın üzerinde çocuklar ile fiziksel, duyuşsal veya zihinsel kapasitesi sınırlı ya da yeterli deneyimi ve bilgisi bulunmayan kişilerce ancak dikkatli gözetim altında ve cihazın güvenli şekilde kullanımı ile cihazla ilgili riskler hakkında bilgi verildikten sonra kullanılabilir. Çocuklar cihazla oynamamalıdır. Temizleme ve kullanıcı bakımı, gözetim olmaksızın çocuklar tarafından yapılmamalıdır.

İnceleme ve onarımlar

Kullanmadan önce cihazda hasarlı veya arızalı parça olup olmadığını kontrol edin. Parçalardaki kırılmaları, düğmelerdeki hasarları ve aletin çalışmasını etkileyebilecek diğer koşulları kontrol edin.

- ◆ Herhangi bir parçası hasarlı veya arızalı ise cihazı kullanmayın.
- ◆ Hasarlı veya arızalı parçaların yetkili bir servis tarafından onarılmasını veya değiştirilmesini sağlayın.
- ◆ Şarj kablosunda hasar olup olmadığını düzenli olarak kontrol edin.

Kablosu hasarlı veya arızalı ise, şarj cihazını değiştirin.

- ◆ Bu kılavuzda belirtilenler dışında herhangi bir parçayı asla çıkarmaya veya değiştirmeye çalışmayın.

Ek güvenlik talimatları

Kullanım sonrası

- ◆ Şarj cihazını veya şarj ana ünitesini temizlemeden önce şarj cihazını prizden çekin.
- ◆ Cihaz kullanılmadığında kuru bir yerde saklanmalıdır.
- ◆ Cihaz, çocukların ulaşamayacağı yerlerde muhafaza edilmelidir.

Diğer riskler

Alet kullanılırken, ekteki güvenlik uyarılarında bulunmayan, bazı ilave riskler oluşabilir. Bu riskler yanlış kullanım, uzun süreli kullanım vb. gibi nedenlerden kaynaklanabilir.

İlgili güvenlik düzenlemelerinin uygulanması ve güvenlik cihazlarının uygulanmasıyla bile diğer bazı riskler önlenemeyebilir. Bunlar aşağıdakileri içermektedir:

- ◆ Dönen/hareket eden parçalara dokunulmasından kaynaklanan yaralanmalar.
- ◆ Parça, bıçak veya aksesuar değiştirirken oluşan yaralanmalar.
- ◆ Aletin uzun süreli kullanılmasıyla oluşan yaralanmalar. Herhangi bir aleti uzun süre kullanırken düzenli molalar vermeye özen gösterin.
- ◆ İşitme kaybı.

- ◆ Alet kullanılırken oluşan tozun solunmasıyla ortaya çıkan sağlık sorunları (örneğin: özellikle meşe, kayın ve MDF gibi ahşap ile çalışırken.)

Bataryalar ve şarj cihazları

Bataryalar (bağımsız olarak satılabilir)

- ◆ Şarj edilebilir bataryalar şarj edilmeden önce cihazdan çıkarılmalıdır.
- ◆ Bataryalar doğru kutuplara göre yerleştirilmelidir.
- ◆ Bitmiş bataryalar cihazdan çıkarılmalı ve güvenli bir şekilde atılmalıdır.
- ◆ Cihaz uzun süre kullanılmadan saklanacaksa bataryalar çıkartılmalıdır.
- ◆ Besleme terminalleri kısa devre yapılmamalıdır.
- ◆ Herhangi bir sebeple içini açmaya çalışmayın.
- ◆ Bataryayı su ile temas ettirmeyin.
- ◆ Bataryayı ısıya maruz bırakmayın.
- ◆ Sıcaklığın 40°C'yi aşabileceği yerlerde saklamayın.
- ◆ Sadece 10°C ila 40°C arasındaki ortam sıcaklıklarında şarj edin.
- ◆ Sadece ürünle/aletle birlikte teslim edilen şarj cihazını kullanarak şarj edin. Hatalı şarj aygıtının kullanılması, elektrik çarpmasına veya pilin aşırı ısınmasına neden olabilir.
- ◆ Pilleri atarken, "Çevrenin korunması" başlıklı bölümde verilen talimatları uygulayın.

- ◆ Delerek veya darbeye maruz bırakarak bataryaya hasar vermeyin/deforme etmeyin, aksi halde yaralanma ve yangın riski ortaya çıkabilir.
- ◆ Hasarlı bataryaları şarj etmeyin.
- ◆ Aşırı zorlayıcı koşullarda bataryalarda akma olabilir. Bataryaların üzerinde sıvı olduğunu görürseniz, bir bez kullanarak sıvıyı dikkatli bir şekilde silin. Cildinize temas etmesinden kaçınin.
- ◆ Sıvının cildinize ya da gözünüze temas etmesi durumunda aşağıdaki talimatları uygulayın.

Uyarı! Batarya sıvısı, yaralanmaya veya maddi hasara neden olabilir. Ciltle teması halinde derhal bol suyla durulayın. Kızarıklık, ağrı veya tahriş oluşması durumunda doktora başvurun. Gözlerinize temas etmesi durumunda derhal temiz su ile durulayın ve doktora başvurun.

Şarj aletleri (bağımsız olarak satılabilir)

Şarj cihazınız belirli bir voltajda kullanılmak üzere tasarlanmıştır. Şebeke voltajının, aletin üretim etiketinde belirlenmiş değerlere ve teknik veriler tablosundaki bilgilere uygun olup olmadığını daima kontrol edin.

Uyarı! Asla şarj aygıtının yerine sıradan bir elektrik kablosu kullanmayın.

- ◆ BLACK+DECKER şarj aygıtınızı sadece birlikte teslim edilmiş olduğu cihazın/aletin şarj edilmesi için kullanın.

Başka bataryalar patlayarak yaralanmalara ve hasara neden olabilir.

- ◆ Şarj edilebilir olmayan bataryaları şarj etmeye çalışmayın.
- ◆ Elektrik kablosu hasarlı ise, bir tehlike oluşmasını önlemek için üretici ya da yetkili BLACK+DECKER Servis Merkezi tarafından değiştirilmelidir.
- ◆ Şarj cihazını suyla temas ettirmeyin.
- ◆ Şarj cihazını açmayın.
- ◆ Şarj cihazını kurcalamayın.
- ◆ Cihaz/alet/batarya, şarj için iyi havalandırılan bir yere yerleştirilmelidir.

Elektrik güvenliği

Şarj cihazının üzerindeki simgeler



Cihazı kullanmadan önce bu kullanım kılavuzunu baştan sona dikkatle okuyun.



Bu alet çift yalıtımlıdır bu yüzden hiçbir topraklama kablosuna gerek yoktur. Her zaman güç kaynağının, aletin üretim etiketinde voltajla aynı olup olmadığını kontrol edin.



Şarj ana ünitesi, sadece kapalı ortamda kullanım için tasarlanmıştır.

Cihaz üzerindeki etiketler

Bu cihaz üzerinde, tarih kodu ile birlikte aşağıdaki semboller gösterilir



Cihazı kullanmadan önce bu kullanım kılavuzunu baştan sona dikkatle okuyun



Saçları fırçalar, açıklıklardan ve hareketli parçalardan uzak tutun

Özellikler

Bu alet, aşağıdaki özelliklerin bir kısmını veya tümünü içermektedir.

1. Güç açma/kapama düğmesi
2. Ana tutamak
3. Şarj durum göstergesi
4. Toz haznesi serbest bırakma düğmesi
5. Toz haznesi
6. Siklonik filtre düzeneği

7. Uzatma direği serbest bırakma düğmesi
8. Uzatma direği
9. Zemin fırçası (dahili zemin algılamalı)
- 9b. Çırpma çubuğu
10. Çırpma çubuğu serbest bırakma düğmesi
11. Zemin başlığı serbest bırakma düğmesi
12. Aralık temizleme parçası
13. Şarj cihazı
14. Saklama istasyonu
15. Batarya
16. Batarya serbest bırakma düğmesi
17. Ana birim
18. Yumuşak silindiri çırpma çubuğu (yalnızca REVSU18D1HF)

Kullanım

Bataryanın şarj edilmesi (Şekil A, B)

Alele birlikte verilen standart şarj cihazı, tamamen boşalmış bir bataryayı yaklaşık 5 saatte şarj eder

- ◆ Bataryayı (15) takmadan önce şarj cihazını (13) uygun prize takın.
- ◆ Bataryayı (15), Şekil A'da gösterildiği gibi şarj cihazına (13) yerleştirin.
- ◆ Bataryanın şarj edildiğini gösteren yeşil LED (13a) yanıp söner.
- ◆ Şarjın tamamlandığı sabit yanan yeşil LED (13a) ile gösterilir. Ünite, tam olarak şarj edildikten sonra hemen kullanılabilir veya şarj cihazında bırakılabilir.

Not: Boşalmış bataryaları kullanımdan sonra en kısa sürede şarj edin, aksi takdirde batarya ömrü büyük ölçüde azalabilir.

Not: Batarya, yeşil LED yanıyor şekilde, sonsuza kadar şarj cihazına bağlı olarak bırakılabilir. Şarj cihazı, bataryayı yeni ve tam şarj edilmiş olarak koruyacaktır.

Önemli şarj notları

- ◆ En uzun kullanım ömrü ve en iyi performans bataryanın 18° - 24°C arası ortam sıcaklığında şarj edilmesi durumunda elde edilebilir. Bataryayı +4,5°C altında veya +40,5°C üzerindeki bir hava sıcaklığında şarj ETMEYİN. Bu önemlidir ve bataryanın ciddi hasar görmesini önler.
- ◆ Şarj işlemi sırasında şarj cihazı ve batarya dokunulamayacak kadar ısınabilir. Bu normaldir ve bir sorun olduğu anlamına gelmez. Kullanımın ardından bataryanın soğumasına yardım etmek için şarj aleti veya bataryayı metal bir kulübe veya yalıtımsız bir römork gibi sıcak bir ortama koymaktan kaçının.
- ◆ Batarya tam olarak şarj olmuyorsa:
 - ◆ Bir lamba veya diğer cihazları takarak priz çalıştığını kontrol edin.
 - ◆ Işıkları söndürdüğünüzde priz gücü kapatan bir lamba düğmesine bağlı olup olmadığını kontrol edin.

- ◆ Şarj cihazını ve bataryayı ortam hava sıcaklığı yaklaşık 18° - 24°C olan bir yere taşıyın.
- ◆ Şarj sorunları devam ediyorsa aleti, bataryayı ve şarj cihazını yetkili servis merkezine götürün.
- ◆ Batarya önceden kolaylıkla gerçekleştirdiği işlemlerde yeterli güç üretememeye başladığında şarj edilmelidir. Bu koşullar altında aleti çalıştırmaya devam etmeyin. Şarj prosedürünü takip edin. Aynı zamanda kısmen kullanılmış bir bataryayı, bataryada herhangi bir olumsuz etki olmadan istediğiniz zaman şarj edebilirsiniz.
- ◆ Bunlarla sınırlı olmamak üzere çelik yünü, alüminyum folyo veya benzeri metal parçacıkları gibi iletken özelliklere sahip yabancı maddeler şarj aletinin yuvalarından uzak tutulmalıdır. Yuvalarda batarya yokken şarj cihazının fişini daima güç kaynağından çıkarın. Şarj cihazının fişini temizlemeden önce çıkarın.
- ◆ Şarj cihazını dondurmamın veya su veya diğer sıvıların içerisine daldırmayın.

Uyarı! Şarj cihazının içine sıvı kaçmasına izin vermeyin. Kesinlikle

bataryanın içini açmaya çalışmayın. Bataryanın plastik muhafazası kırılır veya çatlırsa geri dönüşüm için bir servis merkezine gönderin.

Şarj durum göstergesi (Şekil C)

Bu cihaz, bataryada kalan şarj seviyesini gösteren üç LED ışıktan oluşan bir şarj durumu göstergesi (3) içerir. Bu özellik yalnızca elektrikli süpürge açıldığında ve elektrikli süpürge şarjdayken etkindir.

Şarj durum göstergesi, bataryada kalan yaklaşık şarj seviyelerinin bir göstergesidir.

LED batarya göstergesi kalan şarjı gösterir ve batarya şarj seviyesi azaldığında sizi uyarır. Yalnızca çok az şarj kaldığında son LED sürekli yanıp söner.

Not: Şarj durumu göstergesi yalnızca bataryada kalan şarjın bir göstergesidir. Ürün bileşenleri, sıcaklık ve son kullanıcı uygulamasına dayalı varyasyonlarına tabi olan alet işlevselliğini göstermez.

Bataryanın takılması ve çıkartılması (Şekil D)

Uyarı! Bataryayı çıkarmadan veya takmadan önce elektrikli süpürge kapalı olduğundan emin olun.

Bataryanın takılması

- ◆ Bataryayı (15) süpürge (15b) içerisine tık sesi duyulana kadar yerleştirin (Şekil D). Bataryanın yerine tam oturduğundan emin olun.

Bataryanın çıkartılması

- ◆ Şekil D'de gösterildiği gibi batarya serbest bırakma düğmesine (16) basın ve bataryayı süpürge çekerek çıkartın.

Monte edilmesi (Şekil E, F, G)

Bu vakumlu süpürge, dört biçimden biriyle kullanılabilir.

- ◆ Şekil E'de gösterildiği gibi uzatma borusu ve zemin fırçası ile.
 - ◆ Uzatma borusunun üst kısmını (8), vakum girişi ile hizalayın, bkz. Şekil E.
 - ◆ Uzatma borusunu (8), vakum girişine bastırarak yerine oturmasını sağlayın.
 - ◆ Uzatma borusunun alt kısmını (8), zemin başlığı (9) ile hizalayın, bkz. Şekil D.
 - ◆ Uzatma borusunun alt kısmını (8) zemin başlığına (9) bastırarak yerine oturmasını sağlayın.
 - ◆ Boruyu çıkarmak için, uzatma borusu üzerinde bulunan uzatma çubuğu serbest bırakma düğmesine (7) basın ve bağlı erişimciyi yavaşça çekin.
 - ◆ Şekil F'de gösterildiği gibi Ana ünite ve zemin fırçası ile.
 - ◆ Şekil G(3)'te gösterildiği gibi uzatma borusu ve aralık temizleme fırçası aksesuarıyla birlikte.
 - ◆ Şekil G(4)'te gösterildiği gibi Ana ünite ve aralık temizleme fırçası aksesuarıyla birlikte.

Uyarı! Kullanılmadığı zaman üniteyi, elektrikli süpürgeğin arka tarafı duvara bakacak şekilde yerleştirin. Böylece ünitenin kazara düşmesi halinde, insanlara veya evcil hayvanlara değil, duvara temas etmesi sağlanır.

Açma ve Kapama (Şekil H)

- ◆ Açmak için açma/kapatma düğmesine (1) bir kez basın; ünite zemin algılama modunda çalışmaya başlayacaktır; yalnızca yüksek hız modu için düğmeye tekrar basın.
- ◆ Gücü artırmak için Açma/Kapatma düğmesine (1) ikinci kez basın.
- ◆ Üniteyi kapatmak için Açma/Kapatma düğmesine (1) üçüncü kez basın.

Not: Vakumlu süpürge açırken şarj durum göstergesi LED'leri (3) yanar.

- ◆ Bir sonraki kullanıma hazır ve tam şarjlı olması için bataryayı (15) kullanımdan hemen sonra şarj edin.

Zemin algılama

Zemin algılaması düşük hızda etkindir. Zemin halı olarak algılandığında ünitenin performansı otomatik olarak yüksek hızla çıkar. Sert zemin algılandığında ünitenin performansı düşük hızla iner.

Vakumlu süpürgeğin temizlenmesi ve boşaltılması

Uyarı! Fırlama/Solama Tehlikesi: Kesinlikle süpürgeyi filtresiz kullanmayın.

Uyarı! Filtre tekrar kullanılabilir özelliğindedir, tek kullanımlık toz torbasıyla karıştırmayın, ürün boşaltılınca filtreyi atmayın.

Kullanım sıklığına bağlı olarak filtreyi 6-9 ayda bir değiştirmenizi öneririz.

Toz haznesinin boşaltılması (Şekil I, J, K, L)

- ◆ Toz haznesini (5) serbest bırakmak ve süpürgeyi çıkarmak için toz haznesi serbest bırakma düğmesini (4) aşağı doğru bastırın.
- ◆ Filtre yuvası tırmaklarını sıkıştırmak için işaret parmağınızı ve baş parmağınızı kullanın, ardından filtre yuvasını (6) şekil J'de gösterildiği gibi toz haznesinden çekin.
- ◆ Toz haznesini bir çöp kutusunun üzerine yerleştirin ve toz haznesini Şekil K'de gösterildiği gibi boşaltın.
- ◆ Köpük filtreyi (6a) Şekil L'de gösterildiği gibi filtre yuvasından (6) çıkarın.
- ◆ Köpük filtre yuvası (6a) ve filtredeki (6) gevşek tozları sallayın veya hafifçe fırçalayın.
- ◆ Toz haznesini (5) ılık sabunlu suyla durulayın.
- ◆ Filtreleri ılık sabunlu suyla yıkayın.
- ◆ Filtreleri filtre yuvasına yeniden takmadan önce filtrelerin tamamen kuru olduğundan emin olun.
- ◆ Temiz ve kuru köpük filtreyi (6a) filtre yuvasına (6) tekrar takın.
- ◆ Filtre yuvasını toz haznesine (5) takın.
- ◆ Toz haznesini yerine "sıkıca" oturacak şekilde süpürgeye takın.

Çırpma çubuğunun çıkarılması ve temizlenmesi (Şekil M, N, O, P)

Uyarı! Hareketli parçalardan kaynaklanan yaralanma riskini azaltmak için, temizlik veya bakımdan önce zemin başlığını ve uzatma borusunu vakumlu süpürgeyi ayırın.

- ◆ Çırpma çubuğunu (9b veya 18) zemin başlığından (9) çıkarmak için çırpma çubuğu serbest bırakma düğmesini (10) ünitenin arkasına kaydırın.
- ◆ Çırpma çubuğu (9b veya 18) şimdi çıkartılabilir ve temizlenebilir.

Güvenli saklama (Şekil Q)

Ünite, kullanılmadığında, ana ünitenin arkasındaki mandal, saklama istasyonuna (14) yerleştirilerek güvenli bir şekilde saklanabilir, bkz. Şekil Q.

Uyarı! Kullanılmadığı zaman üniteyi, elektrikli süpürgeğin arka tarafı duvara bakacak şekilde yerleştirin. Böylece ünitenin kazara düşmesi halinde, insanlara veya evcil hayvanlara değil, duvara temas etmesi sağlanır.

Sorun Giderme

Sorun	Olası Neden	Olası Çözüm
Ünite çalışmıyor.	Batarya doğru takılmamış. Batarya şarj edilmemiş.	Batarya düzeneğini kontrol edin. Batarya şarj gerekliliklerini kontrol edin

Sorun	Olası Neden	Olası Çözüm
Batarya şarj olmuyor.	Batarya şarj aletine takılı değil. Şarj aleti fişe takılı değil. Ortam hava sıcaklığı çok yüksek veya çok düşük.	Bataryayı LED ışık belirene kadar şarj cihazına yerleştirin. Ayrıca, aleti çalışan bir prize takın. Daha fazla ayrıntı için "Önemli Şarj Notları" bölümüne bakın. Bir lamba veya başka bir cihazı takarak prizdeki akımı kontrol edin. Prizini, ışıkları kapattığınızda gücü kapatan bir elektrik düğmesine bağlı olup olmadığını kontrol edin. Şarj cihazını ve aleti, 4,5°C'nin üstünde veya +40,5°C'nin altındaki bir hava sıcaklığına sahip yerlere götürün.

Bakım

Satın almış olduğunuz BLACK+DECKER kablosuz alet, aşgari bakım yapıldığında uzun bir süre kullanılacak şekilde tasarlanmıştır. Aletin uzun süre boyunca verimli bir şekilde çalışması, uygun bakımın ve düzenli temizliğin yapılmasına bağlıdır.

Uyarı! Kablosuz cihazlar üzerinde herhangi bir bakım gerçekleştirilmeden önce:

- Üniteyi kapatın ve bataryayı çıkarın.
- Temizlemeden önce, şarj cihazını prizden çekin. Şarj cihazınız, düzenli temizlik dışında herhangi bir bakım gerektirmez.
- Aletin/şarj cihazının havalandırma deliklerini yumuşak bir fırça veya kuru bir bezle düzenli olarak temizleyin.
- Motor muhafazasını nemli bir bezle düzenli olarak temizleyin. Aşındırıcı veya çözücü madde içeren temizleyiciler kullanmayın.

Filtrelerin değiştirilmesi

Filtreler her 6 ila 9 ayda bir değiştirilmenin yanı sıra, yıprandıklarında veya hasar gördüklerinde de değiştirilmelidir. Yedek filtreler BLACK+DECKER yetkili satıcınızdan temin edilebilir.

- Eski filtreleri yukarıda açıklandığı gibi çıkarın.
- Yeni filtreleri yukarıda açıklandığı gibi takın.

Çevrenin korunması



Aynı toplama. Üzerinde bu simge bulunan ürünler ve bataryalar normal evsel atıklarla birlikte çöpe atılmamalıdır.

Ürünler ve bataryalar, ham madde ihtiyacını azaltmak için geri kazanılabilecek veya geri dönüştürülebilecek malzemeler içerir.

Elektrikli aletleri ve bataryaları lütfen yerel yönetmeliklere uygun şekilde geri dönüşüme tabi tutun. Daha ayrıntılı bilgi için aşağıdaki adresi ziyaret edin
www.2helpU.com

Teknik Veriler

	REVS18D Tip 1
Voltaj	18V _{dc}
Watt Saat	36Wh (18v 2.0ah batarya)
Yaklaşık Şarj Süreleri	5 saat
Ağırlık	3kg

Şarj cihazı	S010**2400040/SSC-250040**	
Giriş Voltajı	V _{ac}	100 - 240
Çıkış Voltajı	V _{dc}	8 - 20
Akım	mA	400
Yaklaşık şarj süresi	Saat	5

Batarya		BDL1518 BDL1518E	BDL2018 BDL2018E	BDL2518 BDL2518E
Voltaj	V _{dc}	18	18	18
Kapasite	Ah	1,5	2,0	2,5
Tip		Li-iyon	Li-iyon	Li-iyon

Garanti

Black & Decker ürünlerinin kalitesine güvenmektedir ve müşterilerine ürünleri satın alma tarihinden itibaren 24 ay geçerli bir garanti sunmaktadır. Bu garanti yasal haklarınıza bir ek olup bunları hiçbir şekilde etkilemez. Garanti, Avrupa Birliği Üyesi Ülkeler ve Avrupa Serbest Ticaret Bölgesi ve Birleşik Krallık sınırları içerisinde geçerlidir.

Garanti kapsamındaki bir talepte bulunmak için, ilgili garanti talebinin Black&Decker Şartları ve Koşullarına uygun olması ve ürünün satın alma belgesinin yetkili bayi veya servise ibraz edilmesi gerekir.

Black&Decker tarafından sunulan 2 yıllık garantinin şartları ve koşullarının yanı sıra en yakın yetkili onarım acentesinin yerinde internete

www.2helpU.com adresinden veya bu kılavuzda belirtilen adresteki yerel Black&Decker ofisinden öğrenilebilir. Yeni aldığınız Black & Decker ürününü kaydetmek ve yeni ürün ve hizmetlerle ilgili güncel haberleri takip etmek için lütfen www.blackanddecker.co.eu adresindeki web sitemizi ziyaret edin.

België/Belgique/Luxembourg www.blackanddecker.be enduser.be@sbdinc.com	Stanley Black & Decker Belgium BVBA Egide Walschaertsstraat 16 2800 Mechelen	Tel. NL +32 15 47 37 65 Tel. FR +32 15 47 37 66 Fax. +32 15 47 37 99
Danmark	Black & Decker Roskildevej 22 2620 Albertslund	kundeservice.dk@sbdinc.com www.blackanddecker.dk
Deutschland www.blackanddecker.de infobfge@sbdinc.com	Stanley Black & Decker Richard-Klinger-Strasse 11, 65510 Idstein, Germany	Tel. 06126 21-0 Fax 06126 21-2980
Ελλάδα www.blackanddecker.gr greece.service@sbdinc.com	Stanley Black & Decker (ΕΛΛΑΣ) Ε.Π.Ε ΓΡΑΦΕΙΑ: Σπράβωνος 7 & Βουλιαγμένης 166 74 Γλυφάδα - Αθήνα	Τηλ. 210-8981616 Φαξ 210-8983570
SERVICE:	Ημερος Τόπος 2 -Χάνι Αδάμ 193 00 Ασπρόπουργος - Αθήνα	Τηλ. Service 210-8985208 Φαξ 210-5597598
España www.blackanddecker.es respuesta.posventa@sbdinc.com	Stanley Black & Decker Ibérica, S.C.A. Parc de Negocis "Mas Blau" Edificio Muntadas, c/Bergadá, 1, Of. A6 08820 El Prat de Llobregat (Barcelona)	Tel. 934 797 400 Fax 934 797 419
France www.blackanddecker.fr	Stanley Black & Decker. 62 chemin de la Bruyère 69570 Dardilly, France	Tel. 04 72 20 39 20 Fax 04 72 20 39 00
Helvetia www.blackanddecker.ch service@rofoag.ch	ROFO AG Gewerbezone Seeblick 3213 Kleinbödingen	Tel. 026-6749393 Fax 026-6749394
Italia www.blackanddecker.it service.italia@sbdinc.com	Stanley Black & Decker Italia Via Energypark 6 20871 Vimercate (MB)	Tel. 039-9590200 Fax 039-9590313 Numero verde 800-213935
Nederland www.blackanddecker.nl enduser.nl@sbdinc.com	Stanley Black & Decker Netherlands BV Holtum Noordweg 35, 6121 RE BORN Postbus 83, 6120 AB BORN	Tel. +31 164 283 065 Fax +31 164 283 200
Norge	Black & Decker Postboks 4613, Nydalen 0405 Oslo	kundeservice.no@sbdinc.com www.blackanddecker.no
Österreich www.blackanddecker.at service.austria@sbdinc.com	Stanley Black & Decker Austria GmbH Oberlaaerstraße 248, A-1230 Wien	Tel. 01 66116-0 Fax 01 66116-614
Portugal www.blackanddecker.pt resposta.posvenda@sbdinc.com	Black & Decker Limited SARL Quinta da Fonte - Edifício Q55 D. Diniz Rua dos Malhões, 2 e 2A - Piso 2 Esquerdo 2770 - 071 Paço de Arcos	Tel. 214667500 Fax 214667580
Suomi	Black & Decker PL47 00521, Helsinki	asiakaspalvelu.fi@sbdinc.com www.blackanddecker.fi
Sverige	Black & Decker AB Box 94, 431 22 Mölndal	kundservice.se@sbdinc.com www.blackanddecker.se
Türkiye https://tr.blackanddecker.global info-tr@sbdinc.com	Stanley Black & Decker Turkey Alet Üretim Tic. Ltd.Şti. نچرەنکۆی ماحالەسی Umüt Sokak No: 10-12 / 82-83-84 Kat: 19 Ataşehir-İstanbul, Türkiye	Tel. +90 216 665 2900 Fax. +90 216 665 2901
United Kingdom & Republic Of Ireland www.blackanddecker.eu emeaservice@sbdinc.com	Black & Decker Meadowfield Avenue, Spennymoor DL16 6YJ, England	Tel. 01753 511234 Fax 01753 512365
Middle East & Africa www.blackanddecker.ae service.meas@sbdinc.com	Black & Decker P.O.Box - 17164 Jebel Ali Free Zone (South), Dubai, UAE	Tel. +971 4 8863030 Fax +971 4 8863333