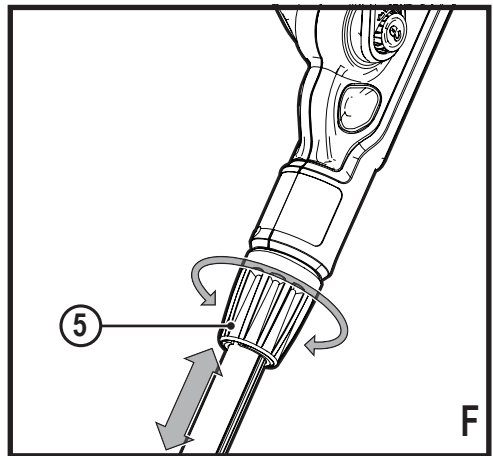
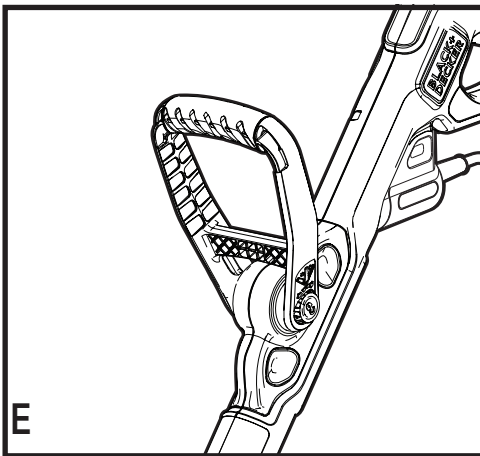
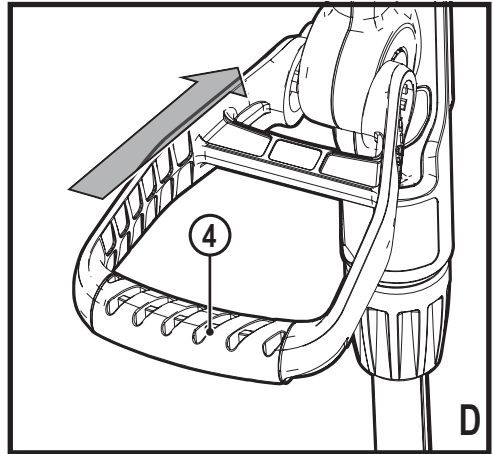
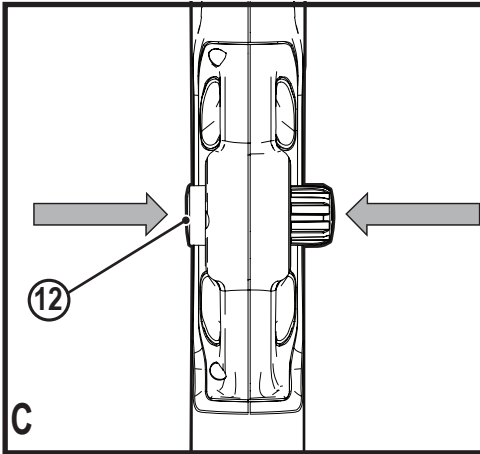
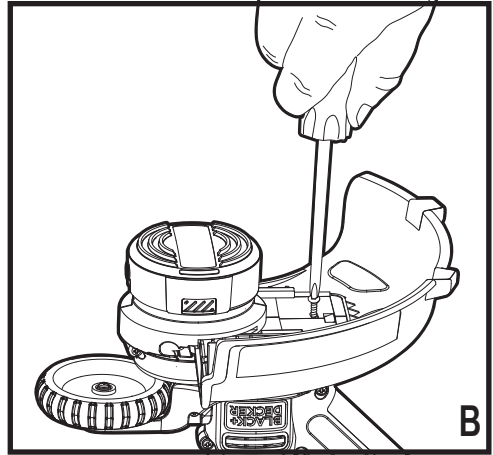
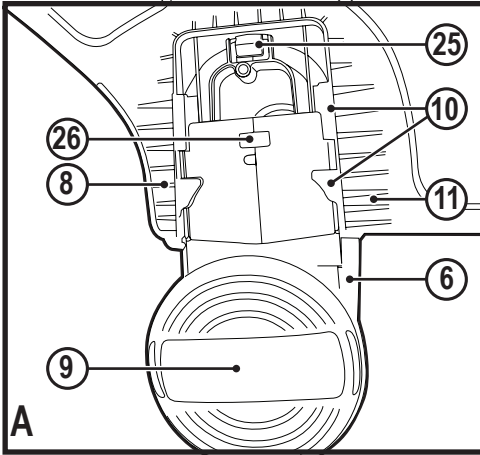
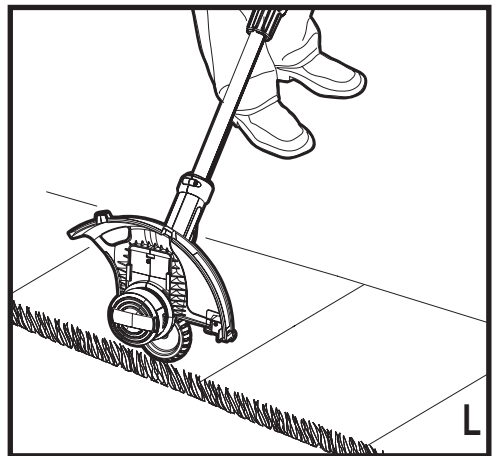
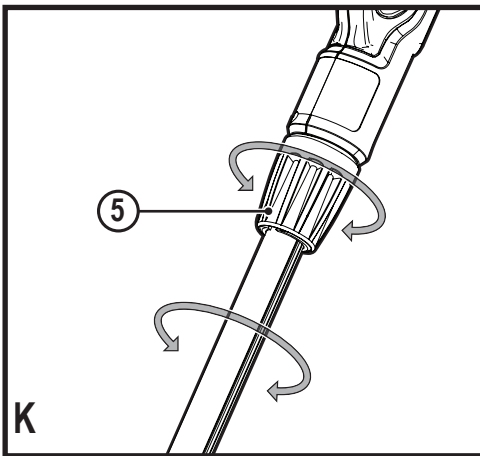
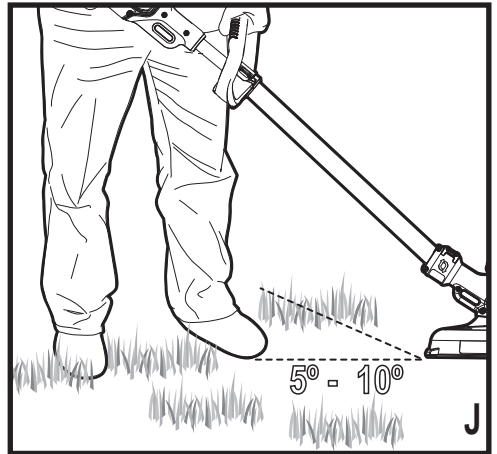
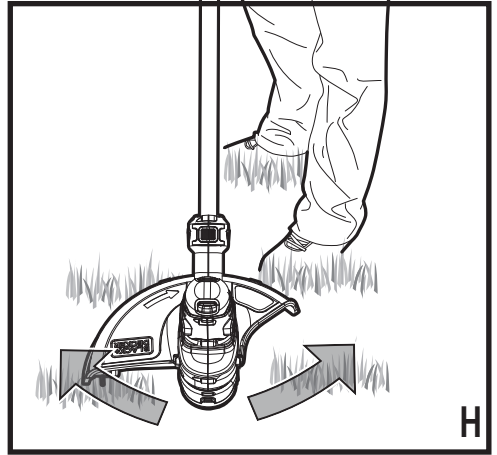
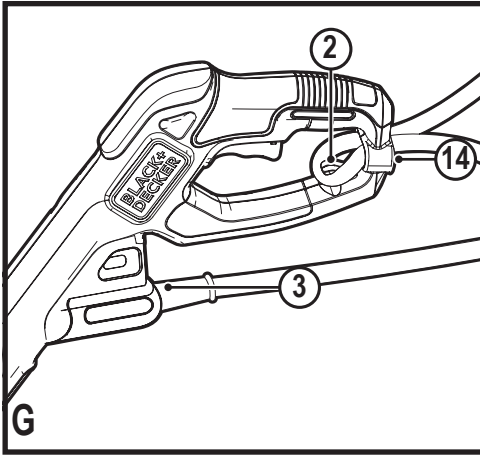
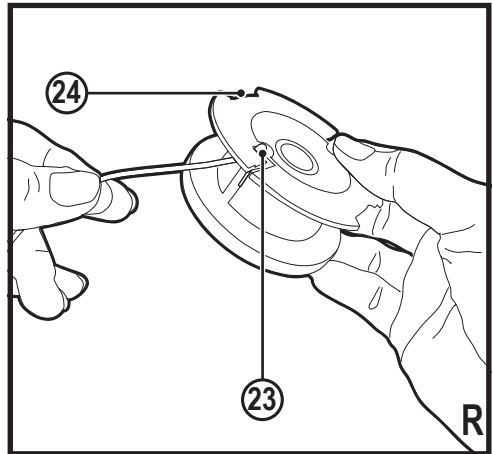
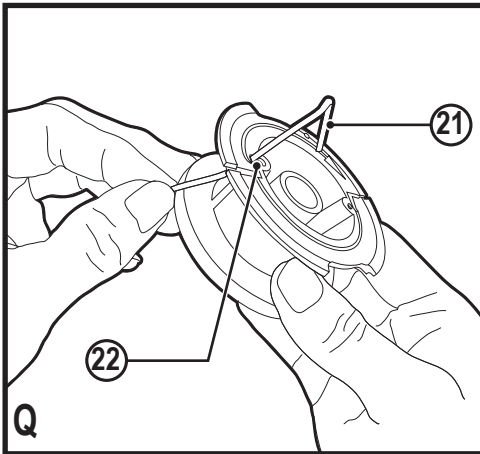
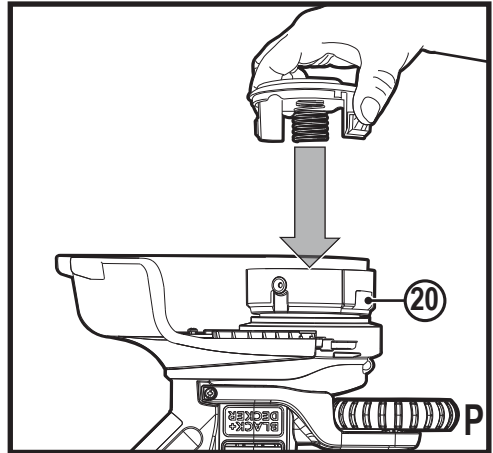
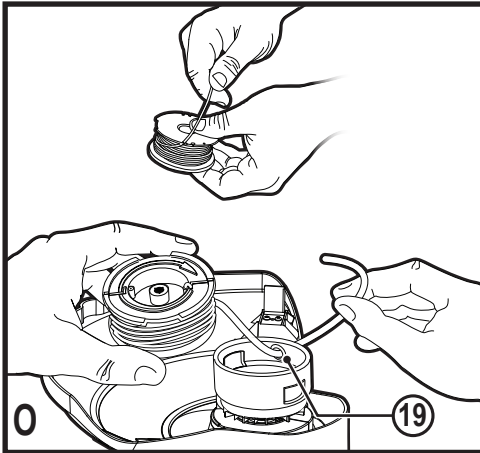
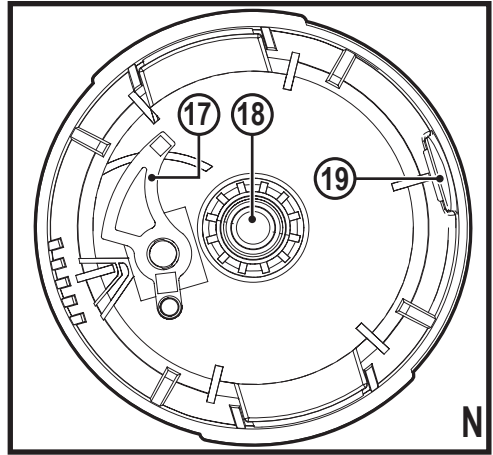
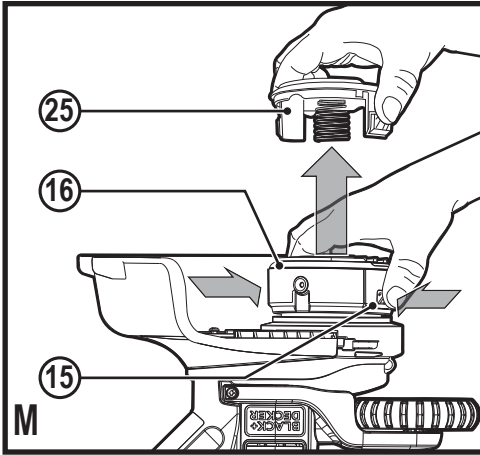


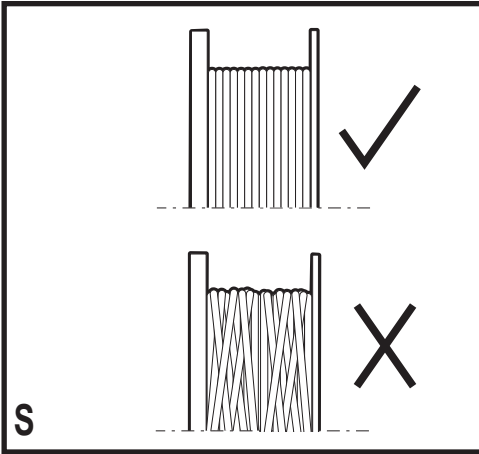
BESTA525
BESTA528
BESTA530

www.blackanddecker.com.au
www.blackanddecker.co.nz









Intended use

Your BLACK+DECKER BESTA525, BESTA528, BESTA530 trimmers have been designed for trimming and finishing lawn edges and cutting grass in confined spaces. These machines are intended for consumer use only.

Safety instructions

Warning! When using mains-powered machines, basic safety precautions, including the following, should always be followed to reduce the risk of fire, electric shock, personal injury and material damage.

Warning! When using the machine the safety rules must be followed.

For your own safety and bystanders please read these instructions before operating the machine.

Please keep the instructions safe for later use.

- ◆ Read all of this manual carefully before operating the machine.
- ◆ The intended use is described in this manual.
- ◆ The use of any accessory or attachment or the performance of any operation with this machine other than those

recommended in this instruction manual may present a risk of personal injury.

- ◆ Retain this manual for future reference.

Using your machine

Always take care when using the machine.

- ◆ Always use safety glasses or goggles.
- ◆ Never allow children or people unfamiliar with the instructions to use the machine.
- ◆ Never operate the machine while people, especially **children**, or pets are nearby.
- ◆ Close supervision is necessary when the machine is used near children.
- ◆ This machine is not intended for use by young or infirm persons without supervision.
- ◆ This machine is not to be used as a toy.
- ◆ Only use the machine in daylight or good artificial light.
- ◆ If the machine starts to vibrate abnormally or if you hit a foreign object, switch the appliance off and remove the plug from the socket. Check for any damage to the appliance, replace or repair any damaged parts, check for and tighten any loose parts.
- ◆ Avoid using the machine in bad weather conditions especially when there is a risk of lightning.
- ◆ Use in a dry location only. Do not allow the machine to become wet.
- ◆ Do not immerse the machine in water.
- ◆ Do not open the body casing. There are not user-serviceable parts inside.

- ◆ Do not operate the machine in explosive atmospheres, such as in the presence of flammable liquids, gases or dust.
- ◆ To reduce the risk of damage to plugs or cords, never pull the cable to remove the plug from a socket.
- ◆ Health hazards caused by breathing dust developed when using your tool (example:- working with wood, especially oak, beech and MDF).

Safety of others

- ◆ Never allow **children**, persons with reduced physical, sensory or mental capabilities or lack of experience and knowledge or people unfamiliar with these instructions to use the machine, local regulations may restrict the age of the operator.
- ◆ Children shall not play with the machine.
- ◆ Cleaning and user maintenance shall not be made by children without supervision.

Residual risks

Additional residual risks may arise when using the tool which may not be included in the enclosed safety warnings. These risks can arise from misuse, prolonged use etc. Even with the application of the relevant safety regulations and the implementation of safety devices, certain residual risks can not be avoided. These include:

- ◆ Injuries caused by touching any rotating/moving parts.
- ◆ Injuries caused when changing any parts, blades or accessories.
- ◆ Injuries caused by prolonged use of a tool. When using any tool for prolonged periods ensure you take regular breaks.
- ◆ Impairment of hearing.

Vibration

The declared vibration emission values stated in the technical data and the declaration of conformity have been measured in accordance with a standard test method provided by EN50636 and may be used for comparing one tool with another. The declared vibration emission value may also be used in a preliminary assessment of exposure.

Warning! The vibration emission value during actual use of the power tool can differ from the declared value depending on the ways in which the tool is used. The vibration level may increase above the level stated.

When assessing vibration exposure to determine safety measures required by 2002/44/EC to protect persons regularly using power tools in employment, an estimation of vibration exposure should consider, the actual conditions of use and the way the tool is used, including taking account of all parts of the operating cycle such as the times when the tool is switched off and when it is running idle in addition to the trigger time.

After use

- ◆ When not in use, the machine should be stored in a dry, well ventilated place out of reach of children.

- ◆ Children should not have access to stored machines.
- ◆ When the machine is stored or transported in a vehicle it should be placed in the boot or restrained to prevent movement following sudden changes in speed or direction.

Inspection and repairs

- ◆ Before use, check the machine for damaged or defective parts. Check for breakage of parts and any other conditions that may affect its operation.
- ◆ Do not use the machine if any part is damaged or defective.
- ◆ Have any damaged or defective parts repaired or replaced by an authorised repair agent.
- ◆ Never attempt to remove or replace any parts other than those specified in this manual.

Additional safety instructions for grass trimmers

Warning! Cutting elements continue to rotate after the motor is switched off.

- ◆ Be familiar with the controls and the proper use of the machine.
- ◆ Before use, check the power supply cord and extension cord for signs of damage, ageing and wear. If a cord becomes damaged during use, disconnect the cord from the mains supply immediately. DO NOT TOUCH THE CORD BEFORE DISCONNECTING THE SUPPLY.
- ◆ Do not use the machine if the cords

are damaged or worn.

- ◆ Before using the machine and after any impact, check for signs of wear or damage and repair as necessary.
- ◆ Always ensure that the ventilation slots are kept clear of debris.
- ◆ Wear stout shoes or boots to protect your feet.
- ◆ Wear long trousers to protect your legs.
- ◆ Before using the machine, check that your cutting path is free from sticks, stones, wire and any other obstacles.
- ◆ Only use the machine in the upright position, with the cutting line near the ground. Never switch the machine on in any other position.
- ◆ Do not overreach and to keep your balance at all times. Always be sure of your footing on slopes and walk, never run.
- ◆ Do not work on steep slopes. Work across the face of slopes, not up and down.
- ◆ Move slowly when using the machine. Be aware that freshly cut grass is damp and slippery.
- ◆ Never cross gravel paths or roads while the machine is running.
- ◆ Do not touch moving hazardous parts before the machine is disconnected from the mains and the moving hazardous parts have come to a complete stop.
- ◆ Never touch the cutting line while the machine is running.
- ◆ Do not put the machine down until the cutting line has come to a complete standstill.

- ◆ Use only the appropriate type of cutting line. Never use metal cutting line or fishing line.
- ◆ Be careful not to touch the line trimming blade.
- ◆ Take care to keep the mains cable away from the cutting line.
Always be aware of the position of the cable.
- ◆ Keep hands and feet away from the cutting line at all times, especially when switching on the motor.
- ◆ Never operate the machine with damaged guards or without guards in place.
- ◆ Take care against injury from any device fitted for trimming the filament line length.
After extending new cutter line always return the machine to its normal operating position before switching on.
- ◆ Do not use the lawn trimmer (edge trimmer), if the cords are damaged or worn.
- ◆ Keep extension cords away from cutting elements.

Electrical safety



This machine is double insulated; therefore no earth wire is required. Always check that the power supply corresponds to the voltage on the rating plate.

- ◆ If the supply cord is damaged, it must be replaced by the manufacturer or an authorised BLACK+DECKER Service Centre in order to avoid a hazard.

- ◆ Electric safety can be further improved by using a high sensitivity 30 mA Residual Current Device (RCD).

Using an extension cable

Always use an approved extension cable suitable for the power input of this tool (see technical data). The extension cable must be suitable for outdoor use and marked accordingly. Up to 30 m of 1.5 mm² HO5VV-F extension cable can be used without loss of product performance. Before use, inspect the extension cable for signs of damage, wear and ageing. Replace the extension cable if damaged or defective. When using a cable reel, always unwind the cable completely.

Labels on machine

The following warning symbols are found on the machine along with the date code:



Warning! Read the manual prior to operation.



Wear safety glasses or goggles when operating this machine.



Wear suitable ear protection when operating this machine.



Always remove the plug from the socket before inspecting a damaged cable. Be careful not to use your strimmer if the cable is damaged.



Beware of flying objects. Keep bystanders away from the cutting area.



Do not expose the machine to rain or high humidity.



Directive 2000/14/EC guaranteed sound power.

Features

This machine includes some or all of the following features.

1. On/off switch
2. Cord retainer
3. Power cord plug
4. Auxiliary handle
5. Collar
6. Motor housing
7. Edge guide wheel (BESTA528 and BESTA530 only)
8. Guard
9. Spool

Assembly

Warning! Before assembly, make sure that the tool is switched off and unplugged.

Fitting the guard (fig. A & B)

- ◆ Turn the trimmer upside down so that you are looking down at the spool (9).
- ◆ Remove the screw from the guard with a phillips screwdriver (not supplied).
- ◆ Turn the guard (8) upside down and slide it fully onto the motor housing (6). Make sure the tabs (10) on the guard engage the ribs (11) on the motor housing as shown in Fig. A. The locking tab (25) should have snapped into the housing slot (26).
- ◆ Continue to slide the guard on until you hear it "snap" into place.
- ◆ Insert the guard screw and tighten securely as shown in Fig. B to complete the guard assembly.
- ◆ Once the guard is installed, remove the covering from the line cut-off blade, located on the edge of the guard.

Warning! Never use the tool unless the guard is properly fitted and firmly in place.

Attaching the auxiliary handle (Fig. C, D, E)

- ◆ To attach the handle (4), press in on the buttons (12) on both sides of the upper housing as shown in Fig. C.
- ◆ Position the handle as shown in Fig. D, matching up the grooved side of the handle with the grooved button. Partially push the handle on so that it will hold the buttons in when you release them with your hand.
- ◆ Push the handle completely onto the housing and position it slightly until it "snaps" into place (Fig. E).
- ◆ To adjust the handle up or down, press in on the button (13) and raise or lower the handle.
- ◆ The handle should be adjusted so that your front arm is straight when the trimmer is in the working position.

Height adjustment (Fig. F)

- ◆ The overall height of the trimmer can be adjusted by loosening the collar (5) and rotating it in the direction of the arrow shown in Fig. G.

- ◆ Move the upper housing straight up or down. When the desired height is achieved, tighten the collar by rotating it opposite of the direction shown in Fig. F.

Attaching extension cord (Fig. G)

An extension cord retainer (2) is built into the switch handle that prevents the cord from coming unplugged.

- ◆ To use this feature, simply double the extension cord about 203mm from the end, and insert it into the slot (14) in the end of the handle area as shown in Fig. G.
- ◆ Hook the loop formed by doubling the cord over the tab (2). Gently tug on the cord to insure that it is firmly retained in the trimmer's handle.
- ◆ Plug the receptacle end of the extension cord into the power cord plug (3) in the trimmer.

Releasing the cutting line

In transit, the cutting line is taped to the spool housing.

Warning! Before assembly, disconnect from the power supply.

- ◆ Remove the tape holding the cutting line to the spool housing.
- ◆ See "Replacing the Spool" for instructions for removing the spool.

Correct hand position

Proper hand position requires one hand on the main handle and one hand on the auxiliary handle (4).

Switching on and off

To switch the trimmer on, squeeze the trigger switch (1).

To switch the trimmer off, release the trigger switch.

Operating the trimmer

- ◆ With the unit on, angle slowly swing the trimmer side to side as shown in Fig. H.
- ◆ Maintain a cutting angle of 5° to 10° as shown in Fig. J. Do not exceed 10° (Fig. J). Cut with the tip of the line. To keep distance from hard surfaces use edge wheel (7).
- ◆ Maintain a minimum distance of 600mm between the guard and your feet as shown in Fig. I. To achieve this distance adjust the overall height of the trimmer as shown in Fig. F.

Convert to edging mode (Fig. K)

The trimmer can be used in trimming mode or edging mode to trim overhanging grass along lawn edges and flower beds.

Warning! Disconnect the plug from the power source before making any adjustments.

Warning! When being used as an Edger, stones, pieces of metal and other objects can be thrown out at high speed by the line. The trimmer and guard are designed to reduce the danger. However, **MAKE SURE** that other persons and pets are at least 30m away.

- ◆ To operate as a maintenance edger, turn the collar (5) as shown in Fig. K.
- ◆ Hold the metal shaft and rotate the lower housing 180° as shown in Fig. K.
- ◆ Turn the collar back until tight.

Note: The metal shaft and housing will only rotate in one direction.

- ◆ To return to the trimming position, loosen the lock collar and rotate the lower housing back 180° and retightening the collar.

Edging (Fig. L)

Optimum cutting results are achieved on edges deeper than 50 mm. Do not use this trimmer to create trenches.

- ◆ Using the edging wheel (7), or the wire guard, guide the trimmer as shown in Fig. L.
- ◆ Position the edging wheel on the edge of the pavement or abrasive surface so the cutting line is over the grass or dirt area to be edged.

Note: The Auto Feed System may not operate correctly if wheeled edge guide is not used.

Note: You will experience faster than normal cutting line wear if the edging wheel is positioned too far from the edge with the cutting line positioned over the pavement or abrasive surface.

- ◆ To make a closer cut, slightly tilt the trimmer.
- ◆ Return to the trimming position by loosening the lock collar and rotating the lower housing back 180°. The tool will lock in the trimmer position.

Cutting Line / Line Feeding

Your trimmer uses 1.65 mm diameter, ROUND nylon line. During use, the tips of the nylon lines will become frayed and worn and the special self feeding spool will automatically feed and trim a fresh length of line. Cutting line will wear faster and require more feeding if the cutting or edging is done along pavements or other abrasive surfaces or heavier weeds are being cut. The advanced automatic line feeding mechanism senses when more cutting line is needed and feeds and trims the correct length of line whenever it's required. Do not bump trimmer on ground in attempt to feed line or for any other purposes.

Helpful Cutting Tips

- ◆ Use the tip of the string to do the cutting; do not force string head into uncut grass.
- ◆ Wire and fences cause extra string wear, even breakage. Stone and brick walls, curbs, and wood may wear string rapidly.
- ◆ Do not allow spool cap to drag on ground or other surfaces.
- ◆ In long growth, cut from the top down and do not exceed 300 mm high.
- ◆ Keep trimmer tilted toward the area being cut; this is the best cutting area.

- ◆ The trimmer cuts when passing the unit from the left to right. This will avoid throwing debris at the operator.
- ◆ Avoid trees and shrubs. Tree bark, wood moldings, siding, and fence posts can easily be damaged by the string.

Replacing the spool (Fig. M, N, O, P)

Warning! To reduce the risk of serious personal injury, turn unit off and disconnect it from power source before making any adjustments or removing/installing attachments or accessories. An accidental start-up can cause injury

- ◆ Depress the tabs (15) and remove the spool cap (25) from the spool housing (16) in the trimmer head (Fig. M).
- ◆ For best results, replace spool with BLACK+DECKER model no. A6481.
- ◆ Grasp empty spool with one hand and spool housing with other hand and pull spool out.
- ◆ If lever (17) (Fig. N) in base of housing becomes dislodged, replace in correct position before inserting new spool into housing.
- ◆ Remove any dirt and grass from the spool and housing.
- ◆ Unfasten the end of the cutting line and guide the line into the eyelet (19) Fig. O.
- ◆ Take the new spool and push it onto the boss (18) in the housing (Fig. N). Rotate the spool slightly until it is seated. The line should protrude approximately 136mm from the housing.
- ◆ Align the tabs on the spool cap with the slots (20) in the housing (Fig. P).
- ◆ Push the cap onto the housing until it snaps securely into place.

Warning! To avoid trimmer damage, if the cutting line protrudes beyond the trimming blade, cut it off so that it just reaches the blade.

Rewinding spool from bulk line (Fig. Q, R, S)

Replacement spools of cutting line are available from your BLACK+DECKER dealer. Packs containing 3 spools of cutting line are also available.

- ◆ Unplug the tool.
- ◆ Remove the empty spool from the trimmer as described in "REPLACING THE SPOOL".
- ◆ Remove any remaining cutting line from the spool.
- ◆ Make a fold at the end of the cutting line at about 19mm (21). Feed the cutting line into one of the line anchoring slots (22) as shown in Fig. Q.

Note: Take care not to allow the the line on the spool to unravel. Hold it firmly with one hand at all times.

- ◆ Insert the 19mm end of the bulk line into the hole (23) in the spool adjacent to the slot as shown in Fig. R. Make sure the line is pulled tight against the spool as shown in Fig. S.
- ◆ Wind the cutting line onto the spool in the direction of the arrow on the spool. Make sure to wind the line on neatly and in layers. Do not crisscross (Fig. S).

- ◆ When the wound cutting line reaches the recesses (24), cut the line. (Fig. R).
- ◆ Fit the spool onto the trimmer as described in "REPLACING THE SPOOL".

Warning! Before you begin trimming, only use the appropriate type of cutting line.

Troubleshooting

If your tool seems not to operate properly, follow the instructions below. If this does not solve the problem, please contact your local BLACK+DECKER repair agent.

Warning! Before proceeding, unplug the tool.

Machine runs slowly

- ◆ Check that the spool housing can rotate freely. Carefully clean it if necessary.
- ◆ Check that the cutting line does not protrude more than approximately 136mm from the spool. If it does, cut it off so that it just reaches the line trimming blade.

Automatic line feed does not work

- ◆ Remove the spool cap.
- ◆ Pull the cutting line until it protrudes approximately 136mm from the spool. If insufficient cutting line is left on the spool, install a new spool of cutting line.
- ◆ Ensure that the line is not crisscrossed on the spool as detailed in Fig. S. If it is, unwind the cutting line, then wind it back on the spool neatly so that the lines do not cross.
- ◆ Ensure the beginning of the cutting line is pulled tight against the spool as shown in Fig. S.
- ◆ Align the tabs on the spool cap with the cut outs in the housing.
- ◆ Push the spool cap onto the housing until it snaps securely into place.
- ◆ If the cutting line protrudes beyond the trimming blade, cut it off so that it just reaches the blade. If the automatic line feed still does not work or the spool is jammed, try the following suggestions:
 - ◆ Carefully clean the spool and housing.
 - ◆ Remove the spool and check if the lever in the spool housing can move freely.
 - ◆ Remove the spool and unwind the cutting line, then wind it on neatly again. Replace the spool into the housing.

Maintenance

Your BLACK+DECKER corded/cordless machine/tool has been designed to operate over a long period of time with a minimum of maintenance. Continuous satisfactory operation depends upon proper tool/machine care and regular cleaning. Your charger does not require any maintenance apart from regular cleaning.

Warning! Before performing any maintenance on corded/cordless power tools:

- ◆ Switch off and unplug the machine/tool.
- ◆ Or switch off and remove the battery from the machine/tool if the machine/tool has a separate battery pack.
- ◆ Or run the battery down completely if it is integral and then switch off.
- ◆ Unplug the charger before cleaning it. Your charger does not require any maintenance apart from regular cleaning.
- ◆ Regularly clean the ventilation slots in your tool/machine and charger using a soft brush or dry cloth.
- ◆ Regularly clean the motor housing using a damp cloth. Do not use any abrasive or solvent-based cleaner.
- ◆ Regularly clean the cutting line and spool using a soft brush or dry cloth.
- ◆ Regularly use a blunt scraper to remove grass and dirt from the underneath of the guard.

Protecting the environment



Separate collection. Products and batteries marked with this symbol must not be disposed of with normal household waste

Products and batteries contain materials that can be recovered or recycled reducing the demand for raw materials. Please recycle electrical products and batteries according to local provisions. Further information is available at www.2helpU.com

Technical data

		BESTA525	BESTA528	BESTA530
Voltage	V _{AC}	230	230	230
Power Input	W	450	550	550
No-Load Speed	min ⁻¹	7500	7500	7500
Weight	kg	2.4	2.4	2.4

Level of sound pressure:

Sound pressure (L_{pa}) 81 dB(A), uncertainty (K) 2.6 dB(A)

Sound power (L_{wa}) 93 dB(A), uncertainty (K) 2.6 dB(A)

Vibration total values (triax vector sum) according to EN 50636-2-91:

Vibration emission value (a_v) 4.9 m/s², uncertainty (K) 1.5 m/s²

EC declaration of conformityMACHINERY DIRECTIVE
OUTDOOR NOISE DIRECTIVE

BESTA525, BESTA528, BESTA530 - Trimmer

Black & Decker declares that these products described under "technical data" are in compliance with:

2006/42/EC, EN60335-1:2012 + A11:2014 + A13:2017 + A1:2019 + A14:2019 + A2:2019, EN50636-2-91:2014.

2000/14/EC, Lawn Trimmer, L < 50cm, Annex VI,

DEKRA Testing and Certification GmbH,
Handwerkstraße 15, 70565 Stuttgart
Location Certification Body,

Dinnendahlstr. 9, 44809 Bochum Germany

Notified Body number: 0158

L_{WA} (measured sound power level) 93 dB(A),

Uncertainty (K) = 2.6 dB(A),

L_{WA} (guaranteed sound power) 96 dB(A).These products also comply with directive
2014/30/EU, 2011/65/EU.For more information, please contact Black & Decker at the
following address or refer to the back of the manual.The undersigned is responsible for compilation of the technical
file and makes this declaration on behalf of Black & Decker.

A handwritten signature in black ink, reading 'Patrick Diepenbach' in a cursive script.

Patrick Diepenbach
General Manager, Benelux
Black and Decker,
Egide Walschaertsstraat 14-18
2800 Mechelen, Belgium
15.06.2021Australia & New Zealand
Stanley Black & Decker
www.blackanddecker.com.au
www.blackanddecker.co.nz
Tel. 1800 338 002 (Aust) or Tel. 0800 339 258 (NZ)
810 Whitehorse Road Box Hill VIC 3128, Australia