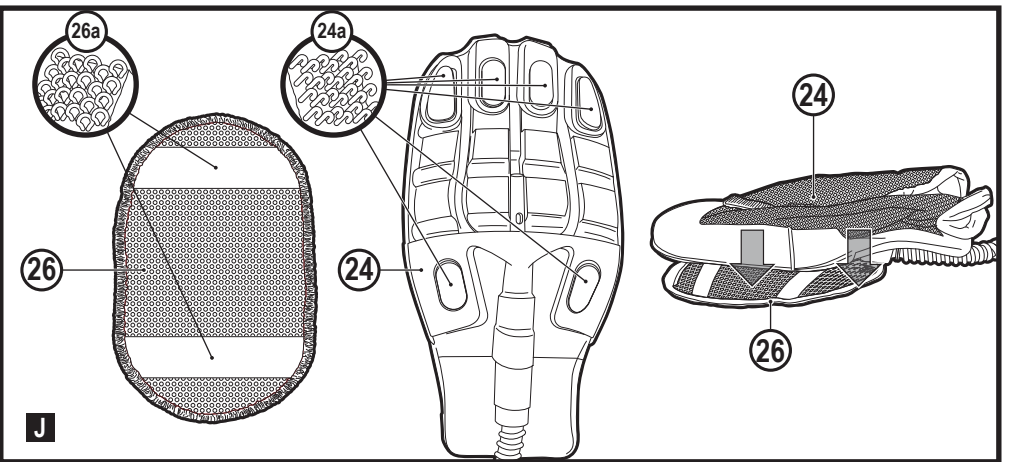
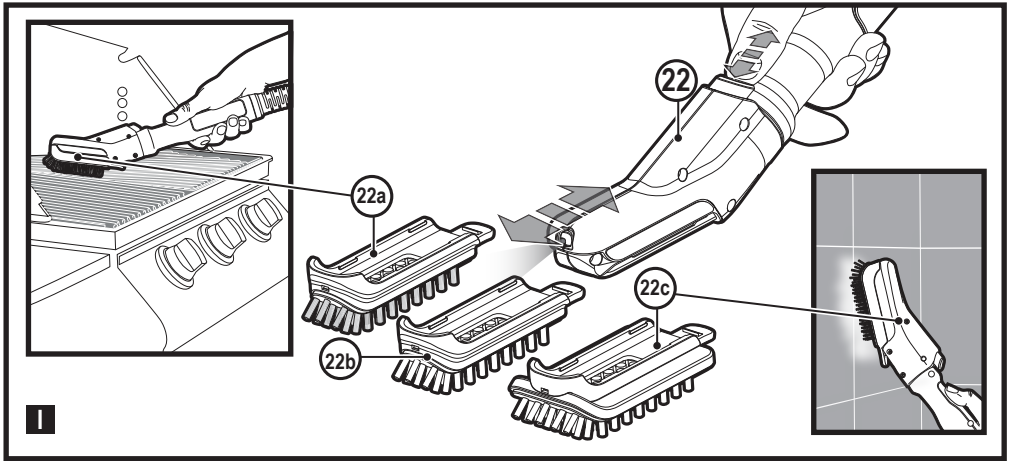
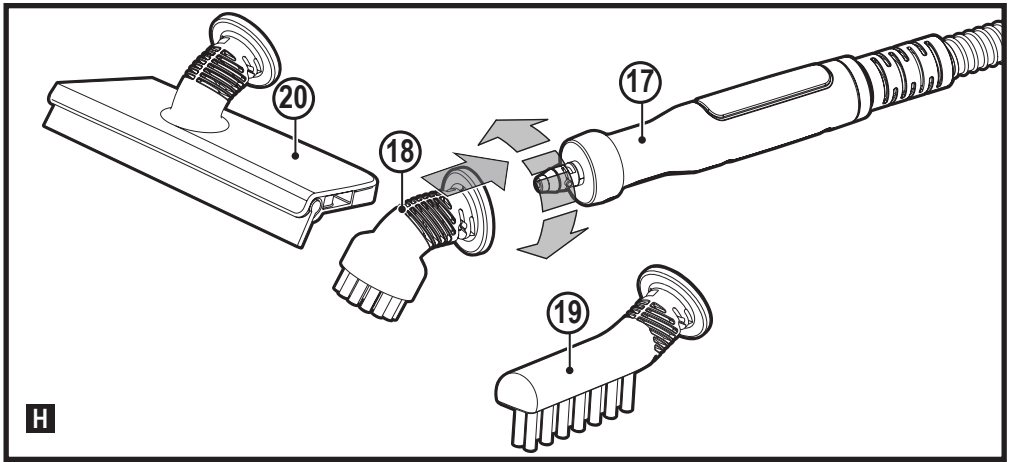
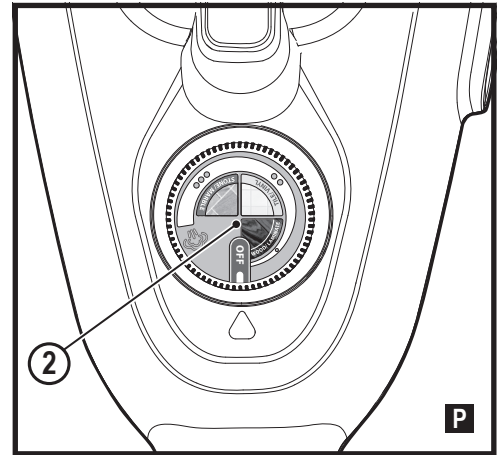
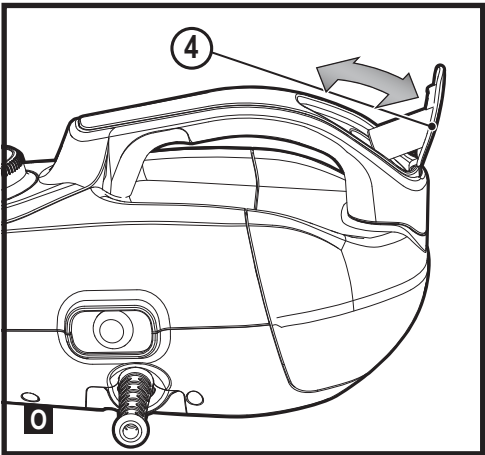
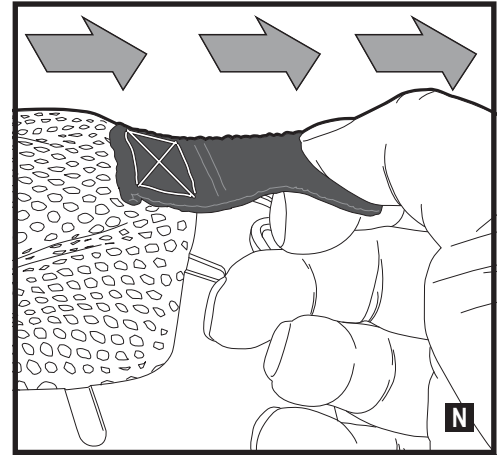
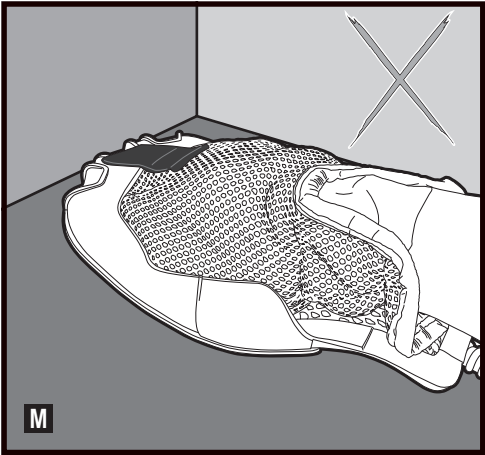
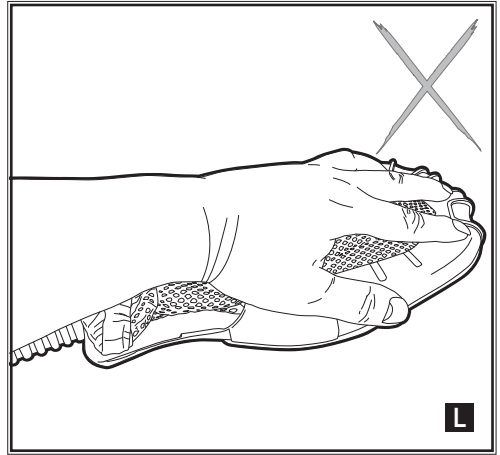
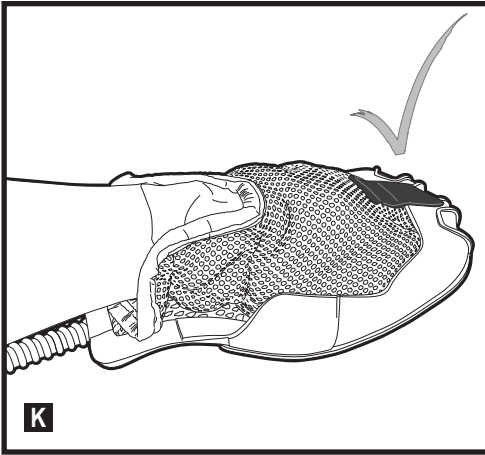


**G**





## Intended use

Your BLACK+DECKER™ FSMH1321, BHSM166DSM, BHSM168D, BHSM168DSM, BHSM168U, BHSM169DSM, BHSM1610DSM, BHSM1615DSM, BHSM1615DSG, BHSM1615DAM steam mop has been designed for sanitising and cleaning sealed hardwood, sealed laminate, linoleum, vinyl, ceramic tile, stone and marble floors. This appliance is intended for indoor household use only.

## Safety Instructions



### **Warning! Read all safety warnings and all instructions.**

Failure to follow the warnings and instructions listed below may result in electric shock, fire and/or serious injury.



**Warning!** When using mains-powered appliances, basic safety precautions, including the following, should always be followed to reduce the risk of fire, electric shock, personal injury and material damage.

- ◆ The intended use is described in this manual.
- ◆ The use of any accessory or attachment or the performance of any operation with this appliance other than those recommended in this instruction manual may present a risk of personal injury.
- ◆ Retain this manual for future reference.

## Using your appliance

- ◆ Do not direct steam at people, animals, electrical appliances or electrical outlets.
- ◆ Do not expose to rain.
- ◆ Do not immerse the appliance in water.
- ◆ Do not leave the appliance unattended.

- ◆ Do not leave the appliance connected to an electrical outlet when not in use.
- ◆ Never pull the power lead to disconnect the appliance from the socket. Keep the appliance lead away from heat, oil and sharp edges.
- ◆ Do not handle steam cleaner with wet hands.
- ◆ Do not pull or carry by cord, use cord as a handle, close door on cord, pull cord around sharp corners or expose cord to heated surfaces.
- ◆ Do not use appliance in an enclosed space filled with vapour given off by oil-base paint thinner, some mothproofing substances, flammable dust, or other explosive or toxic vapours.
- ◆ Check the type of floor with the manufacturer.
- ◆ Do not use on leather, wax polished furniture or floors, synthetic fabrics, velvet or other delicate, steam sensitive materials.



**Warning!** Do not use on unsealed wood or unsealed laminate floors. On surfaces that have been treated with wax or some no wax floors, the sheen may be removed by the heat and steam action. It is always recommended to test an isolated area of the surface to be cleaned before proceeding. We also recommend that you check the use and care instructions from the floor manufacturer.

- ◆ Never put descaling, aromatic, alcoholic or detergent products into the steam cleaner, as this may damage it or make it unsafe for use.
- ◆ If the home circuit breaker activates while using the steam function, discontinue product use immediately and contact the customer support centre. (Beware of the risk of electrical shock.)
- ◆ The appliance emits very hot steam to sanitize the area of use. This means that the steam head, cleaning pads and carpet attachment get very hot during use.

**Caution!** Always wear suitable shoes when using your steam mop and when changing the accessories on your steam mop. Do not wear slippers or open toed footwear.

- ◆ The lid may become hot during use.
- ◆ Steam may escape from the appliance during use.

Care should be taken when using this appliance. DO NOT touch any parts which may become hot during use.

- ◆ Switch the appliance off and return the handle to the upright position before removing the water tank.
- ◆ If steam is observed escaping from the body of the hand held steam cleaner, switch off and disconnect the unit from the mains supply, allow to cool. Contact your nearest authorised repair agent. Do not continue to use the appliance.

## After use

- ◆ Unplug the appliance and allow to cool before cleaning.
- ◆ When not in use, the appliance should be stored in a dry place.
- ◆ Children should not have access to stored appliances.

## Inspection and repairs

- ◆ Unplug the appliance and allow to cool before performing any maintenance or repairs.
- ◆ Before use, check the appliance for damaged or defective parts. Check for breakage of parts, damage to switches and any other conditions that may affect its operation.
- ◆ Regularly check the power lead for damage.
- ◆ Do not use the appliance if any part is damaged or defective.
- ◆ Have any damaged or defective parts repaired or replaced by an authorized repair agent.
- ◆ Never attempt to remove or replace any parts other than those specified in this manual.

## Safety of others

- ◆ This appliance can be used by persons with reduced physical, sensory or mental capabilities or lack of experience and knowledge if they have been given supervision or instruction concerning use of the appliance in a safe way and understand the hazards involved. Children shall not play with the appliance.



- ◆ Children should be supervised to ensure that they do not play with the appliance.
- ◆ The plug must be removed from the socket-outlet before cleaning or maintaining the appliance.
- ◆ The liquid or steam must not be directed towards equipment containing electrical components, such as the interior of ovens.
- ◆ The appliance shall not be left unattended while it is connected to the supply mains.
- ◆ The appliance is not to be used if it has been dropped, if there are visible signs of damage or it is leaking.
- ◆ Keep the appliance out of reach of children when it is energized or cooling down.
- ◆ Never point or direct the mitt at yourself or any other person.
- ◆ Care should be taken when using the appliance due to the emission of steam
- ◆ Unplug the appliance during filling and cleaning.
- ◆ The fabric steamer must not be left unattended while it is connected to the supply mains.
- ◆ The fabric steamer is not to be used if it has been dropped, if there are visible signs of damage or if it is leaking.
- ◆ keep the fabric steamer and its cord out of reach of children less than 8 years of age when it is energized or cooling down.

## Residual risks

Additional residual risks may arise when using the tool which may not be included in the enclosed safety warnings. These risks can arise from misuse, prolonged use etc.

Even with the application of the relevant safety regulations and the implementation of safety devices, certain residual risks can not be avoided. These include:

- ◆ Injuries caused by touching any moving parts.
- ◆ Injuries caused by touching any hot parts.
- ◆ Injuries caused when changing any parts or accessories.
- ◆ Injuries caused by prolonged use of the appliance. When using any appliance for prolonged periods ensure you take regular breaks.

## Electrical safety



**Warning!** Warning! This product must be earthed. Always check that the power supply corresponds to the voltage on the rating plate.

Power plugs must match the outlet.

Never modify the plug in any way.

Unmodified plugs and matching outlets will reduce risk of electric shock

- ◆ If the supply cord is damaged, it must be replaced by the manufacturer or an authorised BLACK+DECKER Service Centre in order to avoid a hazard.

## Extension cables & Class 1 product

- A 3-core cable must be used as your appliance is earthed and of Class 1 construction.
- Always use an approved extension cable suitable for the power input of this appliance (see technical data). Up to 30m of 1.50mm<sup>2</sup> extension cable can be used without loss of product performance. Before use, inspect the extension cable for signs of damage, wear and ageing. Replace the extension cable if damaged or defective. When using a cable reel, always unwind the cable completely.

## Labels on appliance

The following pictograms along with the date code may be shown on the appliance.



**CAUTION! Hot Steam**



Water dripping when used upside down



Steam escapes from all sides



Do not leave unsupervised with young children



Hand wash only



**CAUTION! Hot surface**

## Features

This appliance includes some or all of the following features.

1. On/off switch
2. Autoselect™ dial
3. Hand held steam unit handle
4. Filler cap
5. Hand held steam unit
6. Hand grip
7. Top cable tidy hook
8. Main handle
9. Bottom cable tidy hook
10. Hand held steam unit release button
11. Main body
12. Floor cleaning head
- 12a. Floor cleaning head with lift-out delta section
- 12b. Delta head
- 12c. Steam head removal tab
- 12d. Carpet glider (for use on carpets)
13. Floor cleaning pad
14. Floor cleaning pad release tab
15. Hanging Bracket
16. Steam hose
17. Steam nozzle
18. Angle brush accessory (for use on hard to remove stains)
- 18a. Angle brush (wire brush)
19. Brush accessory (for use on tiles / grout)
20. Squeegee accessory (for use on shower screens / glass / mirrors / clothing / upholstery)
- 20a. Squeegee sock
21. Large squeegee accessory (for use on shower screens / glass / mirrors / clothing / upholstery)
- 21a. Large squeegee sock
22. Steam burst brush unit
- 22a. Steam burst wire brush (for use on BBQ / ovens)
- 22b. Steam burst brush (for use on BBQ / ovens / oven hobs / taps / grout)
- 22c. Steam burst wide brush (for use on larger work surfaces)
23. Delta head cleaning pad.
24. SteaMitt™
25. SteaMitt™ hose
26. SteaMitt™ cleaning pad
27. SteaMitt™ cleaning pad 2
28. Ultra-absorbent floor cleaning pad
29. Large brush with built-in scraper

## Configuration

|     | F<br>S<br>M<br>H<br>1<br>3<br>2<br>1 | B<br>H<br>S<br>M<br>1<br>6<br>8<br>D | B<br>H<br>S<br>M<br>1<br>6<br>8<br>U | B<br>H<br>S<br>M<br>1<br>6<br>6<br>D<br>S<br>M | B<br>H<br>S<br>M<br>1<br>6<br>8<br>D<br>S<br>M | B<br>H<br>S<br>M<br>1<br>6<br>9<br>D<br>S<br>M | B<br>H<br>S<br>M<br>1<br>6<br>1<br>0<br>D<br>S<br>M | B<br>H<br>S<br>M<br>1<br>6<br>1<br>5<br>D<br>S<br>M | B<br>H<br>S<br>M<br>1<br>6<br>1<br>5<br>D<br>S<br>G | B<br>H<br>S<br>M<br>1<br>6<br>1<br>5<br>D<br>A<br>M | S<br>E<br>T<br>T<br>I<br>N<br>G<br>S |
|-----|--------------------------------------|--------------------------------------|--------------------------------------|--|--|--|---|---|---|---|--------------------------------------|
| 12  | ✓                                    |                                      |                                      |  |  |  |   |   |   |   | All                                  |
| 12a |                                      | ✓                                    | ✓                                    | ✓  | ✓  | ✓  | ✓   | ✓   | ✓   | ✓   | All                                  |
| 12d |                                      | ✓                                    | ✓                                    | ✓  | ✓  | ✓  | ✓   | ✓   | ✓   | ✓   | All                                  |
| 13  | ✓                                    | ✓                                    | ✓                                    | ✓  | ✓  | ✓  | ✓   | ✓   | ✓   | ✓   | All                                  |
| 16  | ✓                                    | ✓                                    | ✓                                    | ✓  | ✓  | ✓  | ✓   | ✓   | ✓   | ✓   | All                                  |
| 18  | ✓                                    | ✓                                    | ✓                                    | ✓  |  | ✓  | ✓   | ✓   | ✓   |   | *                                    |
| 18a |                                      |                                      |                                      |  |  | ✓  |   | ✓   |   |   | ...                                  |
| 19  |                                      | ✓                                    | ✓                                    | ✓  |  | ✓  | ✓   | ✓   | ✓   |   | ...                                  |
| 20  | ✓                                    |                                      |                                      | ✓  | ✓  |  | ✓   |   |   |   | *                                    |
| 20a | ✓                                    |                                      |                                      | ✓  | ✓  |  | ✓   |   |   |   | *                                    |
| 21  |                                      | ✓                                    | ✓                                    |  |  | ✓  |   | ✓   | ✓   | ✓   | *                                    |
| 21a |                                      |                                      |                                      |  |  | ✓  |   | ✓   | ✓   | ✓   | *                                    |
| 22  |                                      |                                      |                                      |  | ✓  |  | ✓   |   |   | ✓   | All                                  |
| 22a |                                      |                                      |                                      |  | ✓  |  | ✓   |   |   | ✓   | All                                  |
| 22b |                                      |                                      |                                      |  | ✓  |  | ✓   |   |   | ✓   | All                                  |
| 22c |                                      |                                      |                                      |  | ✓  |  | ✓   |   |   | ✓   | All                                  |
| 23  |                                      | ✓                                    | ✓                                    | ✓  | ✓  | ✓  | ✓   | ✓   | ✓   | ✓   | All                                  |
| 24  |                                      |                                      |                                      | ✓  | ✓  | ✓  | ✓   | ✓   | ✓   | ✓   | All                                  |
| 25  |                                      |                                      |                                      | ✓  | ✓  | ✓  | ✓   | ✓   | ✓   | ✓   | All                                  |
| 26  |                                      |                                      |                                      | ✓  | ✓  | ✓  | ✓   | ✓   | ✓   | ✓   | All                                  |
| 27  |                                      |                                      |                                      |  |  |  |   | ✓   | ✓   | ✓   | All                                  |
| 28  |                                      |                                      |                                      |  |  |  |   | ✓   | ✓   | ✓   | All                                  |
| 29  |                                      |                                      |                                      |  |  |  |   | ✓   | ✓   |   | All                                  |

## Assembly



**Warning!** Before attempting any of the following instructions, make sure that the appliance is switched off and unplugged and the appliance is cold and does not contain any water.

### Attaching the handle (Fig. A)

- ◆ Slide the bottom end of the handle (8) into the top end of the steam mop body (11) until it clicks into place.

### Attaching the hand held steam cleaner (Fig. B)

- ◆ Holding the back of the steam mop body (11) push the hand held steam cleaner (5) firmly into the steam mop body (11) making sure it sits correctly over the interface (11a) and clicks securely into place.

### Removing the hand held steam cleaner (Fig. B)

- ◆ Push the release button (10) on the main body (11) and lift the hand held steam cleaner (5) off the interface (11a) and away from the main body (11).

### Attaching a cleaning pad (Fig. C)

Replacement cleaning pads are available from your BLACK+DECKER dealer :- (cat no. FSMP20-XJ).

- ◆ Place a cleaning pad (13) on the floor with the velcro 'loop' side facing up.
- ◆ Lightly press the steam mop down onto the cleaning pad (13).

**Note:** This unit may be supplied with a standard floor cleaning head (12) or a steam burst cleaning head (12a). In either case use these instructions to fit a cleaning pad.

**Caution!** Never leave the steam mop in one spot on any surface for any period of time. Always place the steam mop with the handle (8) supported in the upright position when stationary and make sure the steam mop is turned off when not in use.

### Removing a cleaning pad

**Caution!** Always wear suitable shoes when changing the cleaning pad on your steam mop.

Do not wear slippers or open toed footwear.

- ◆ Return the handle (8) to the upright position and turn the steam mop 'OFF'.
- ◆ Wait until the steam mop cools down (approximately 5 minutes).
- ◆ Lift the steam mop away from the cleaning pad freeing it from the velcro fastening.

**Caution!** Never leave the steam mop in one spot on any surface for any period of time.

Always place the steam mop with the handle (8) supported in the upright position when stationary and make sure the steam mop is turned off when not in use.

### Filling the water tank (Fig. O)

**Note!** Fill the water tank with clean tap water (Do not use any additives or chemicals).

**Note!** In areas of hard water, the use of de-ionised water is recommended.

- ◆ Open the filler cap (4) by flipping it up.
- ◆ Fill the water tank with water (Do not use any additives or chemicals).

**Warning!** When filling, detach from main unit and maintain in a horizontal position.

**Warning!** Your water tank has a 0.5 litre capacity. Do not over fill the tank.

- ◆ Close the filler cap (4).

**Note!** Ensure the filler cap is firmly secured.

### Attaching the carpet glider (12d) (For use on carpets only)

- ◆ Place the carpet glider (12d) on the floor.
- ◆ Attach a cleaning pad to the floor cleaning head (12, 12a)
- ◆ Lightly press the steam mop down onto the carpet glider (12d) until it clicks into place.

**Caution!** Never leave the steam mop in one spot on any surface for any period of time. Always place the steam mop with the handle (8) supported in the upright position when stationary and make sure the steam mop is turned off when not in use.

### Removing the carpet glider

**Caution!** Always wear suitable shoes when changing the carpet glider on your steam mop. Do not wear slippers or open toed footwear.

- ◆ Return the handle (8) to the upright position and turn the steam mop 'OFF'.
- ◆ Wait until the steam mop cools down (approximately 5 minutes).
- ◆ Place the front of your shoe onto the carpet glider removal tab and press down firmly.
- ◆ Lift the steam mop up and off the carpet glider.

**Caution!** Never leave the steam mop in one spot on any surface for any period of time. Always place the steam mop with the handle (8) supported in the upright position when stationary and make sure the steam mop is turned off when not in use.

### The Delta Head (Fig. D)

This steam mop incorporates a built-in delta head which enables you to access tight corners and narrow spaces.

**Caution!** Always wear suitable shoes when accessing the delta head on your steam mop. Do not wear slippers or open-toed footwear.

- ◆ Turn the steam-mop to 'OFF'
- ◆ Wait until the steam-mop cools down (approximately five minutes).
- ◆ Place the front of your shoe onto the steam head removal tab (12c) and press down gently.
- ◆ Lift the delta head (12b) up off the steam head (12a)
- ◆ Fit the delta head cleaning pad to the bottom of the delta head.

**Note:** Remove the cleaning pad before refitting the delta head to the steam head.

- ◆ To refit the Delta head, place the tip of the Delta head into the steam head then press down firmly ensuring that the Delta head clicks into place.

### Attaching the hose and accessories to the hand held steam cleaner (Fig. G - M)

**Warning!** Inspect the seal between the connection point on the hand held steam cleaner (5) and the steam hose (16) before each use. If the seal malfunctions or is damaged, please contact your nearest authorised repair agent. Do not use the appliance.

### Attaching the hose

- ◆ Press the steam hose release button (16a) on the steam hose (16).
- ◆ Connect the steam hose (16) to the hand held steam cleaner (5) and release the steam hose release button (16a) making sure it clicks into place.

**Important!** Ensure that the steam hose (16) is securely connected to the hand held steam cleaner (5). If steam escapes from the joint, the hose is incorrectly fitted. Switch off, allow the unit to cool then remove and refit the hose.

### Attaching accessories (Fig H)

- ◆ Align the lugs on the steam nozzle (17) with the recesses on the accessory.
- ◆ Press the accessory onto the steam nozzle (17) and twist anti-clockwise until the accessory clicks into place.

**Important!** All accessories, apart from the SteaMitt™ (24) which has its own hose and connector (25), must be attached to the steam hose (16) for use.

### Removing the hose and accessories

**Warning!** The steam hose (16), Steam nozzle (17) and accessories become hot during use. Allow the unit and all accessories to cool before attempting to remove.

### Removing an accessory

- ◆ Twist the accessory clockwise then pull away from the hose (16).

### Removing the hose

- ◆ Press the steam hose release button (16a) on the steam hose (16) and pull away from the hand held steam unit.

### SteaMitt™

Your BLACK+DECKER™ SteaMitt™ has been designed for sanitising and cleaning tiles, work tops, kitchen surfaces and bathroom surfaces. This appliance is intended for indoor household use only.

### Attaching the SteaMitt™ hose to the hand held steam unit

**Warning!** Inspect the seal on the steam nozzle and hose before each use. If the seal is missing or damaged then please contact your nearest authorised repair agent.

**Do not use the appliance.** Inspect the seal on the SteaMitt™ and hose. If the seal is missing, damaged or any steam is escaping then please contact your nearest authorised repair agent. **Do not use the appliance.** Ensure there is no blockage or impedance in the SteaMitt™ hose or attachment hose. If any are detected then please contact your nearest authorised repair agent. **Do not use the appliance.**

### Fitting a cleaning pad to the SteaMitt™ (Fig. J)

**Warning!** Ensure there is no blockage or impedance in the steam release vents. If any are detected then please contact your nearest authorised repair agent. **Do not use the appliance.**

- ◆ Fit the cleaning pad (26) to the SteaMitt™ (24) by attaching the 'loop' velcro strips (26a) on the upper side of the cleaning pad, to the 'hook' velcro pads (24a) on the underside of the SteaMitt™ (24). Press down firmly.

**Warning!** The SteaMitt™ should not be used without fitting a cleaning pad.

**Note:** The SteaMitt™ accommodates 4 types of cleaning pads of varying thickness. Scouring pad (for use on tough stains and non delicate surfaces), Bathroom pad (for use on taps and other moulded bathroom surfaces), Standard pad (for use on all larger surfaces) and Polishing pad (for use on delicate surfaces).

⚠ **Warning!** Always use the SteaMitt™ as shown in figure K, with your hand inside the protective glove.

⚠ **Warning!** Never attempt to use the SteaMitt™ by gripping it externally as shown in figure L. This will result in scalding.

⚠ **Warning!** Avoid using the SteaMitt™ in tight corners as shown in figure M.

⚠ **Warning!** Should a problem occur during use, use the quick release tab to quickly remove the SteaMitt™ from your hand as shown in figure N.

⚠ **Warning!** Do not use the SteaMitt™ on cold glass, such as windows as damage may be caused by the sudden change in temperature.

⚠ **Warning!** Never point or direct the mitt at yourself or any other person.

**Note:** Variable steam dial is disconnected when the SteaMitt™ is fitted and subsequently the flow of steam is limited.

### Use

**Important!** This unit will kill 99.9% of bacteria and germs when used in accordance with the instructions in this manual and with the micro fibre pads fitted and a continuous run time of 90 seconds.

### Switching on and off

- ◆ To switch the appliance on, press the ON/Off switch (1). It takes approximately 20 seconds for the steam mop to heat up.
- ◆ To switch the appliance off, press the ON/Off switch (1).

**Note:** always have your hand inside the SteaMitt™ before you press the steam button.

**Caution!** Never leave the steam mop in one spot on any surface for any period of time.

Always place the steam mop with the handle (8) supported in the upright position when stationary and make sure the steam mop is turned off when not in use.




**Caution!** Always empty the steam mop after use.

**Note!** When first filled or after running dry, it can take up to 45 seconds for steam to be produced.

### Autoselect™ Technology (Fig. P)

This steam mop is fitted with an Autoselect™ dial (2) which shows various cleaning applications. They are used to select the correct operating mode for your particular cleaning operation.

Using Autoselect™, choose from one of the following applications by turning the Autoselect™ dial (2) until the required setting is selected.

| Setting   | Mop           | Hand held                |
|---|---------------|--------------------------|
|  | Wood/Laminate | Low steam flow<br>●      |
|  | Tiles/Vinyl   | Medium steam flow<br>● ● |
|  | Stone/Marble  | High steam flow<br>● ● ● |

The steam mop will select the correct volume of steam required for your particular cleaning operation.

**Note:** Always check you are using the correct setting before using your steam mop.

### Hints for optimum use

#### General

**Caution:** Never use the steam mop without first attaching a cleaning pad.

- ◆ Always vacuum or sweep the floor before using the steam mop.
- ◆ The easiest way to use the appliance is to tilt the handle to a 45° angle and clean slowly, covering a small area at a time.
- ◆ Use water only with no additives or chemicals with your steam mop. To remove stubborn stains from vinyl or linoleum floors, you can pre-treat with a mild detergent and some water before using the steam mop.

### Steam Cleaning with the mop

- ◆ Fit hand held steam cleaner (5) to the steam mop body (11)
- ◆ Place a cleaning pad (13) on the floor with the velcro 'loop' side facing up.
- ◆ Lightly press the steam mop down onto the cleaning pad (13).
- ◆ Connect the steam mop to the mains.
- ◆ Press the ON/OFF button (1). It takes approximately 20 seconds for the steam mop to heat up.
- ◆ Turn the Autoselect™ dial (2) until the required setting is reached. After a few seconds steam will start to come out of the steam head.

**Note!** When first filled or after running dry, it can take up to 45 seconds for steam to be produced.

- ◆ It takes a few seconds for steam to enter the cleaning pad. The steam mop will now glide easily over the surface to be sanitized/cleaned.
- ◆ Push and pull the steam mop slowly across the surface to thoroughly steam clean each section.
- ◆ When you have finished using the steam mop, return the handle (8) to the upright position, making sure that it is supported and turn it 'OFF'. Wait until the steam mop cools down (approximately five minutes).

**Caution!** It is important to monitor the water level in the water tank. To refill the water tank and continue to sanitize/clean stand the mop upright making sure that the handle is supported and turn the steam mop 'OFF'. Unplug the unit from the electrical wall outlet, and refill the water tank.

**Caution!** Never leave the steam mop in one spot on any surface for any period of time.

Always place the steam mop with the handle (8) supported in the upright position when stationary and make sure the steam mop is turned off when not in use.

### Carpet refreshing

- ◆ Place a cleaning pad (13) on the floor with the 'loop' side facing up.
- ◆ lightly press the steam mop down onto the cleaning pad.
- ◆ Place the carpet glider (12d) on the floor.
- ◆ Lightly press the steam mop down onto the carpet glider until it clicks into place.
- ◆ Connect the steam mop to the mains.
- ◆ Press the ON/OFF button (1). It takes approximately 20 seconds for the steam mop to heat up.
- ◆ Turn the Autoselect™ dial (2) to the Wood/Laminate setting.
- ◆ Push and pull the steam mop slowly across the carpet to thoroughly refresh each section.
- ◆ When you have finished using the steam mop, return the handle (8) to the upright position and turn the unit OFF. Wait until the steam mop cools down (approximately five minutes).

### After use

- ◆ Turn the Autoselect™ dial (2) to the OFF position.
- ◆ Wait until the steam mop cools down.
- ◆ Unplug the steam mop from the electrical wall outlet.
- ◆ Empty the water tank.
- ◆ remove the cleaning pad (13) and wash it ready for next use (take care to follow the wash care instructions printed on the cleaning pad).
- ◆ Wrap the supply cable around the cable tidy hooks (7 and 9).
- ◆ There is a hanging bracket (15) built into the hand grip (6) which allows your steam mop to be hung from a suitable hook on the wall. Always ensure that your wall hook is capable of supporting the weight of the steam mop safely.
- ◆ The handle also includes a rubber stopper which allows your steam mop to be rested safely against a vertical surface.

### Hand held steam cleaning

**Warning!** Unit will not produce steam unless it is connected to the main body (11) or the steam hose (16) is fitted.

**Warning!** Only use in a horizontal position.

- ◆ Attach the required accessory.
- ◆ Connect the hand held steam cleaner to the mains.
- ◆ Press the ON/OFF button (1). It takes approximately 20 seconds for the steam mop to heat up.
- ◆ Turn the Autoselect™ dial (2) until the required setting is reached. After a few seconds steam will start to come out of the steam head.

**Note!** When first filled or after running dry, it can take up to 45 seconds for steam to be produced.

- ◆ When you have finished using the hand held steam cleaner turn the Autoselect™ dial (2) to the OFF position. Turn the unit OFF by pressing the ON/OFF button (1) and disconnect from the mains supply. Wait until the unit cools down before storing (approximately five minutes).

### Accessories

The performance of your appliance depends on the accessory used. BLACK+DECKER accessories are engineered to high quality standards and designed to enhance the performance of your appliance. By using these accessories you will get the very best from your equipment.

### Technical Data

|             | Voltage         | Power | Tank Capacity | Heat-up time | Cable length | Weight |
|-------------|-----------------|-------|---------------|--------------|--------------|--------|
|             | V <sub>ac</sub> | W     | ml            | secs         | m            | kg     |
| F5MH1321    | 230             | 1600  | 500           | ≤20          | 6            | 2.7    |
| BHSM168D    | 230             | 1600  | 500           | ≤20          | 6            | 2.8    |
| BHSM168U    | 230             | 1600  | 500           | ≤20          | 6            | 2.8    |
| BHSM168DSM  | 230             | 1600  | 500           | ≤20          | 6            | 2.8    |
| BHSM1615DSM | 230             | 1600  | 500           | ≤20          | 7            | 2.9    |
| BHSM1615DAM | 230             | 1600  | 500           | ≤20          | 7            | 2.9    |

|             |     |      |     |     |   |     |
|-------------|-----|------|-----|-----|---|-----|
| BHSM1615DSG | 230 | 1600 | 500 | ≤20 | 8 | 2.9 |
| BHSM16RDSM  | 230 | 1600 | 500 | ≤20 | 8 | 2.9 |
| BHSM16RDSM  | 230 | 1600 | 500 | ≤20 | 8 | 2.9 |
| BHSM1610DSM | 230 | 1600 | 500 | ≤20 | 8 | 2.9 |

- ◆ For stubborn marks you can use a mild solution of soap and water to dampen your cloth.

### Care of the cleaning pads

**Wash care instructions** - Pads can be washed at 60°C. Do not use fabric conditioner. Allow to dry fully before re-use.

**Caution!** Follow the cleaning instructions printed on the label of the cleaning pad.

### Mains plug replacement (U.K. & Ireland only)

If a new mains plug needs to be fitted:

- ◆ Safely dispose of the old plug.
- ◆ Connect the brown lead to the live terminal in the new plug.
- ◆ Connect the blue lead to the neutral terminal.
- ◆ Connect the green/yellow lead to the earth terminal.

**Warning!** Follow the fitting instructions supplied with good quality plugs. Recommended fuse: 13A.

### Protecting the environment



Separate collection. Products and batteries marked with this symbol must not be disposed of with normal household waste

Products and batteries contain materials that can be recovered or recycled reducing the demand for raw materials. Please recycle electrical products and batteries according to local provisions.

Further information is available at [www.2helpU.com](http://www.2helpU.com)

## Troubleshooting

If your appliance seems not to operate properly, follow the instructions below. If this does not solve the problem, please contact your local BLACK+DECKER repair agent.

| Problem  | Step | Possible solution   |
|--|------|---|
| The steam mop is not turning on                                      | 1.   | Check the unit is plugged in at the wall socket.  |
|  | 2.   | Check the unit is switched on using the ON/OFF switch (1)   |
|  | 3.   | Check the fuse in the plug.   |
| The steam mop is not producing steam                                 | 4.   | The steam mop will only produce steam if the hand held steam cleaner (5) is correctly docked into the main body (11) or the steam hose is fitted or the Autoselect™ is turned to ON |
|  | 5.   | Check that the water tank is full. <b>Note:</b> When first filled or after running dry it can take up to 45 seconds for steam to be produced.                                       |
|  | 6.   | Check steps 1, then 2, then 3   |
| The steam mop stops producing steam during use                       | 7.   | Check steps 4, then 5, then 3   |
| The steam mop is producing too much steam during use                 | 8.   | Turn the Autoselect™ dial (2) anti-clockwise to reduce the amount of steam being produced   |
| The steam mop is producing too little steam during use               | 9.   | Turn the Autoselect™ dial (2) clockwise to increase the amount of steam being produced  |
| No steam is being produced from the hand held steam cleaner          | 10.  | Check that the Autoselect™ dial (2) is at the ON position   |
|  | 11.  | Check steps 5, then 1, then 2, then 3   |
| The hand held steam cleaner is producing too little steam during use | 12.  | Turn the Autoselect™ dial (2) clockwise to increase the amount of steam being produced  |
|  | 13.  | Check step 5  |
| The hand held steam cleaner is producing too much steam during use   | 14.  | Turn the Autoselect™ dial (2) anti-clockwise to reduce the amount of steam being produced   |
| The accessories keep falling off the unit                            | 15.  | Refer to the assembly chapter for correct fitting instructions of all parts and accessories   |
| Steam is escaping from unexpected areas of the unit                  | 16.  | Refer to the assembly chapter for correct fitting instructions of all parts and accessories   |
| Where can I get further information/ accessories                     | 17.  | <a href="http://www.blackanddecker.co.uk/steam mop">www.blackanddecker.co.uk/steam mop</a><br><a href="http://www.blackanddecker.ie/steam mop">www.blackanddecker.ie/steam mop</a>  |

## Maintenance and cleaning

Your BLACK+DECKER corded appliance has been designed to operate over a long period of time with a minimum of maintenance. Continuous satisfactory operation depends upon proper appliance care and regular cleaning.

**Warning!** Before performing any maintenance or cleaning on corded appliances switch off and unplug the appliance.

- ◆ Wipe your appliance over using a soft damp cloth.

**Australia & New Zealand**

Stanley Black & Decker

[www.blackanddecker.com.au](http://www.blackanddecker.com.au)

[www.blackanddecker.co.nz](http://www.blackanddecker.co.nz)

Tel. 1800 338 002 (Aust) or Tel. 0800 339 258 (NZ)

810 Whitehorse Road Box Hill VIC 3128, Australia