

FSMH1321

FSMH1351SM

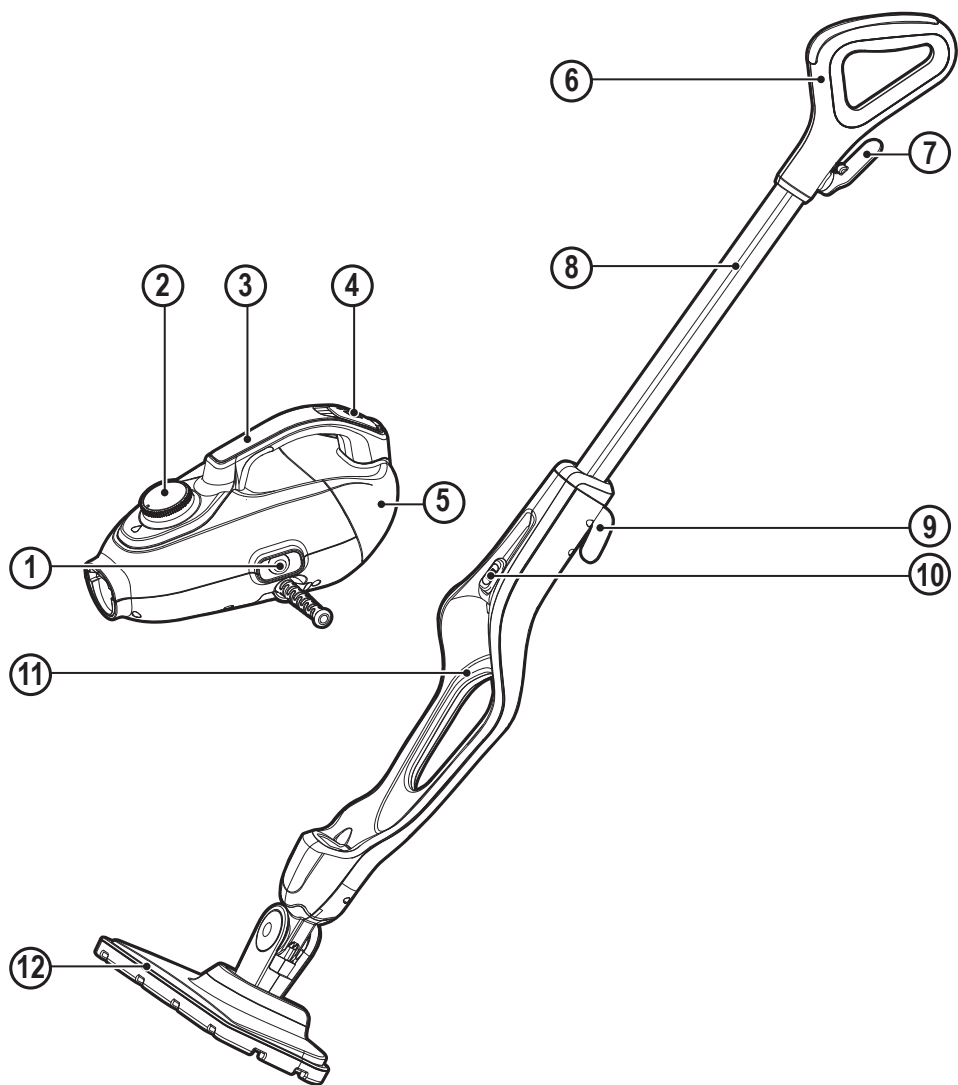
FSMH13101SM

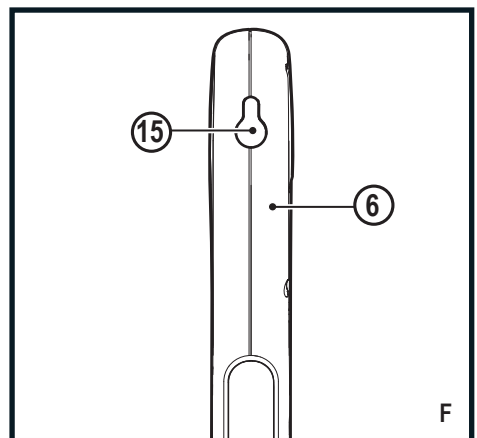
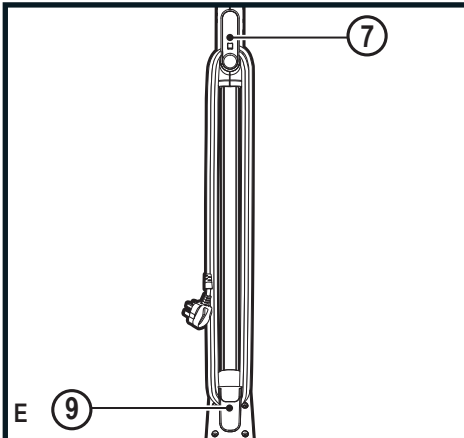
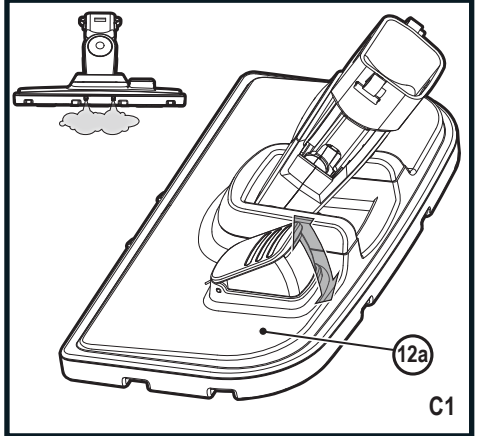
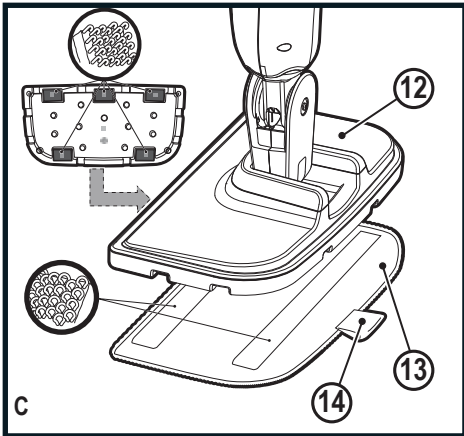
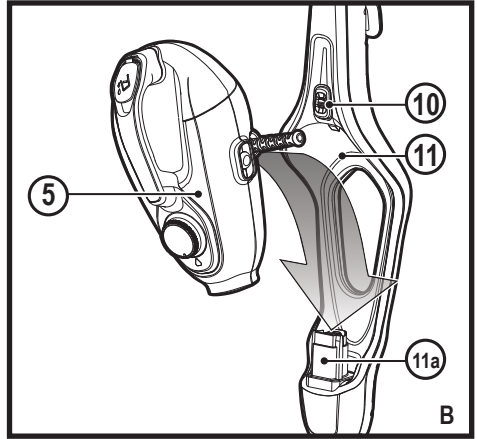
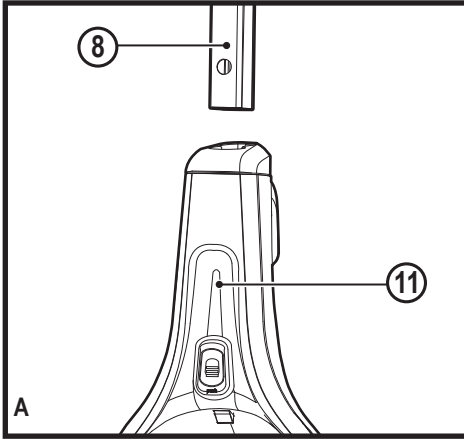
FSMH13151SM

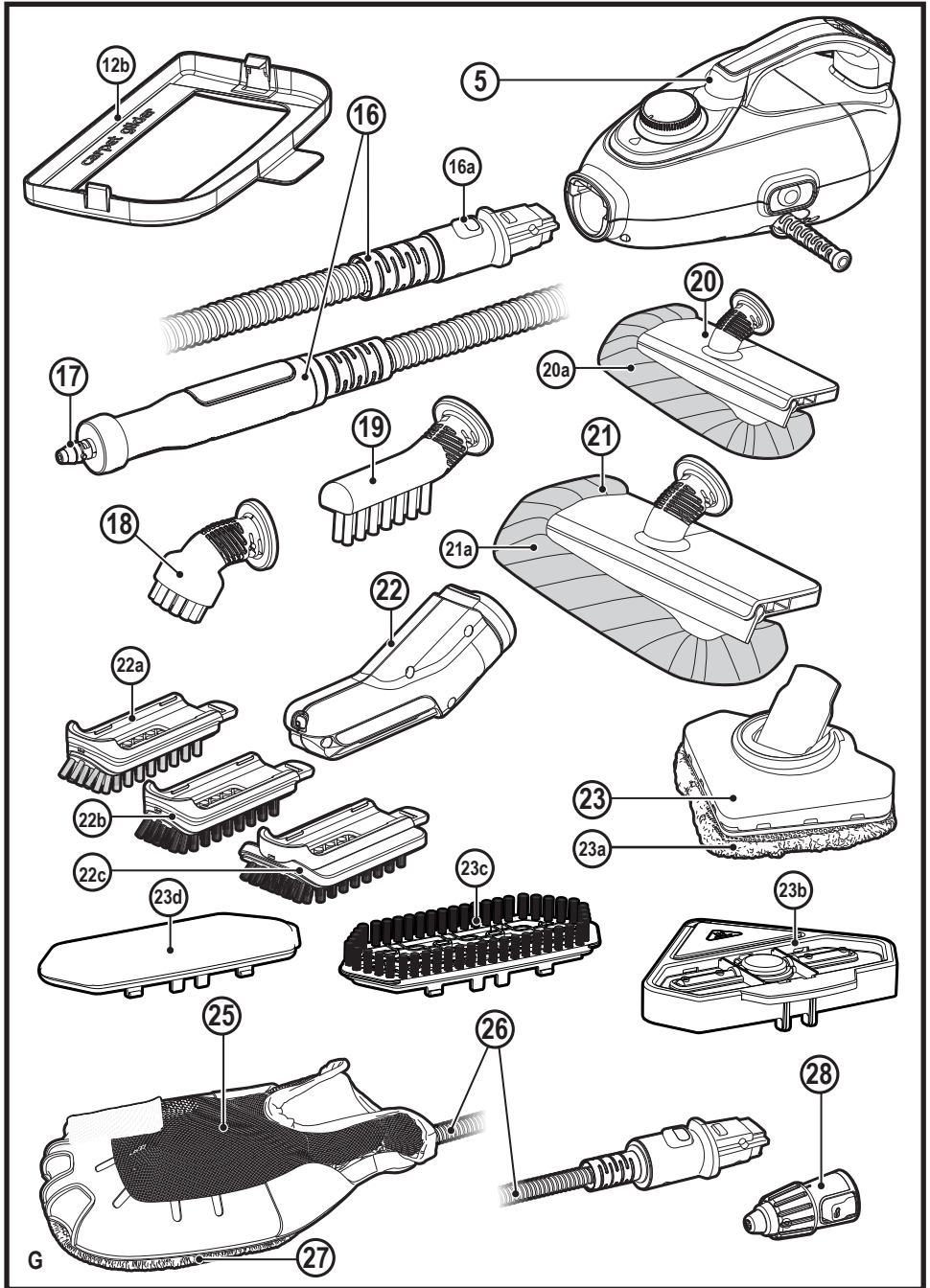
FSMH1321J

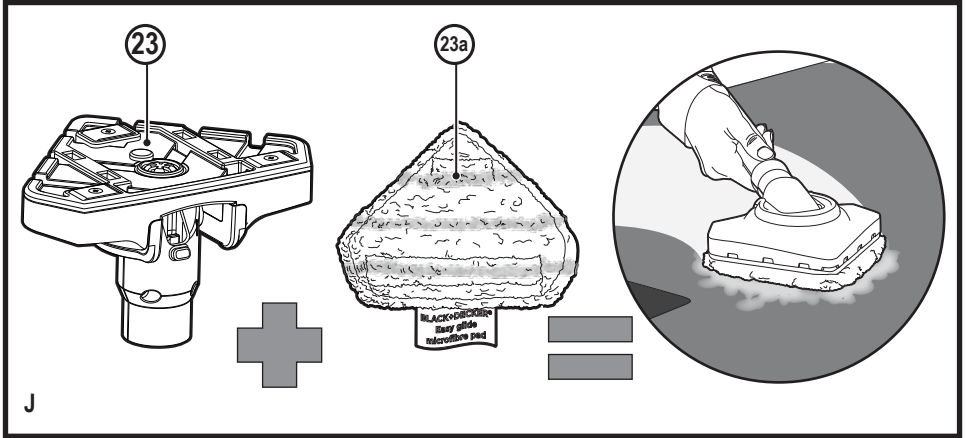
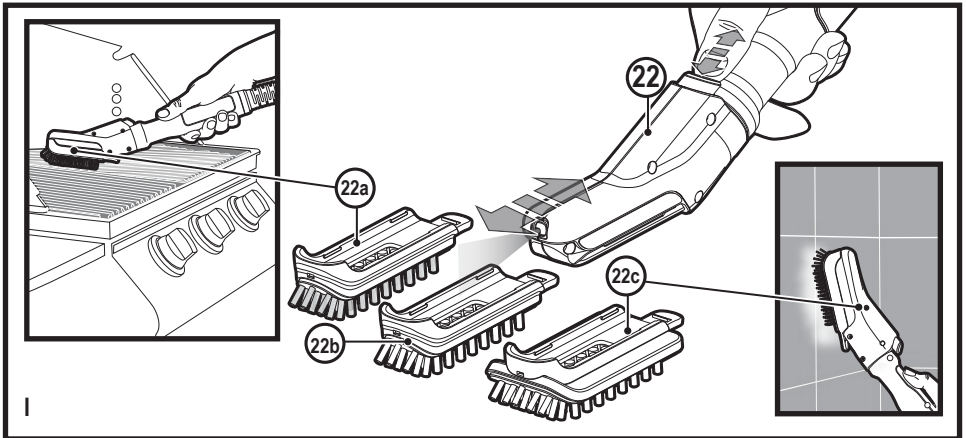
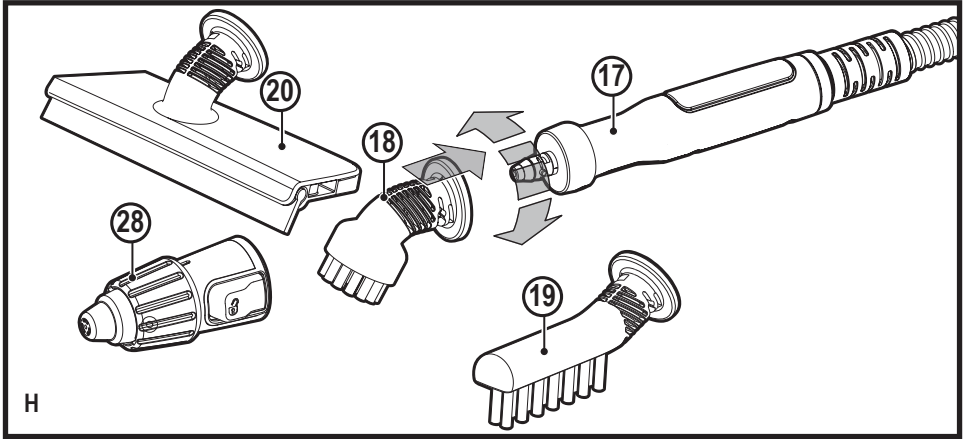
FSMH1321JSM

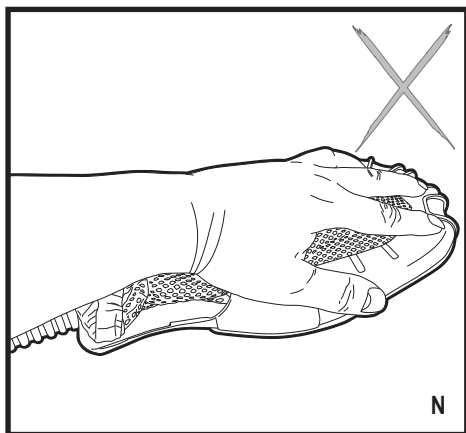
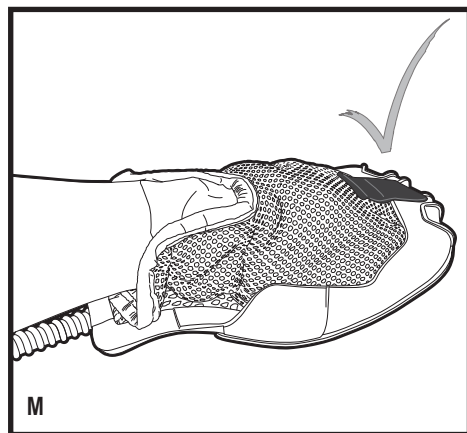
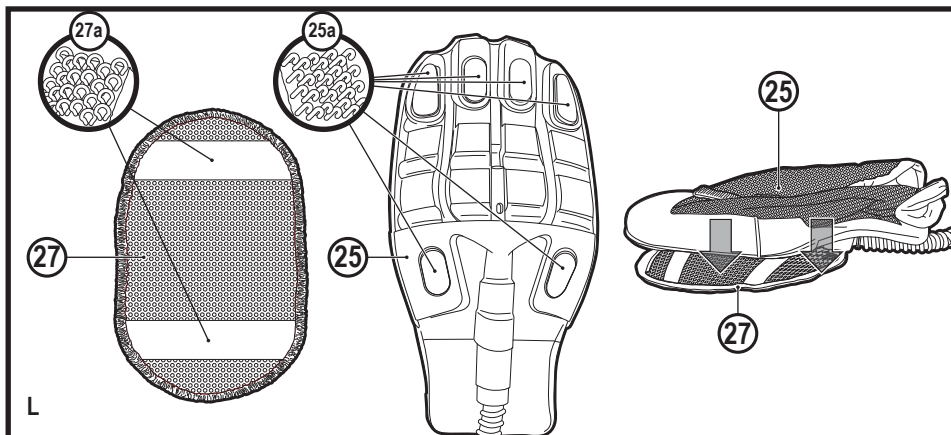
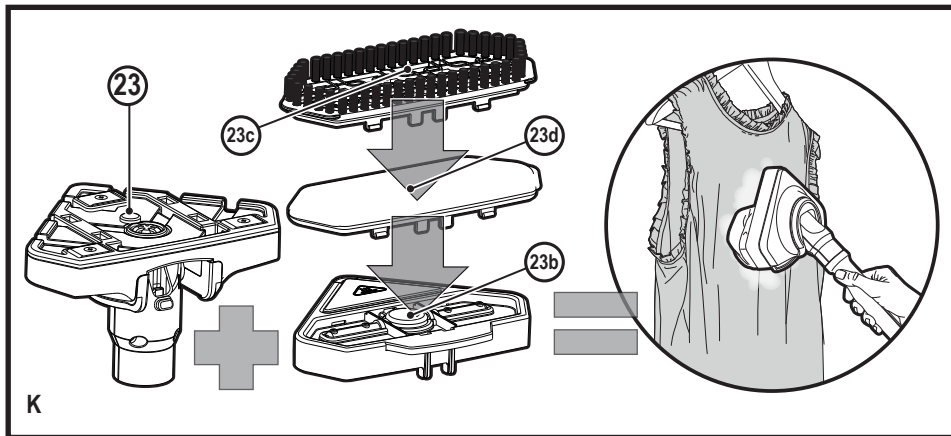
FSMH1321JMD

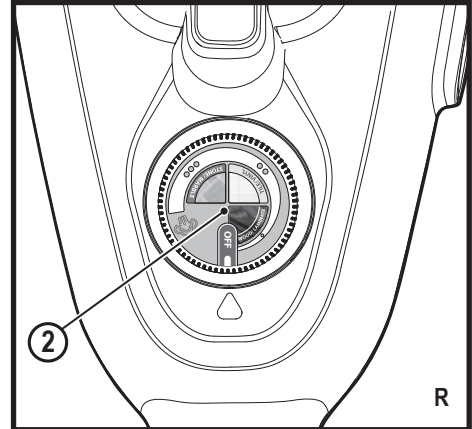
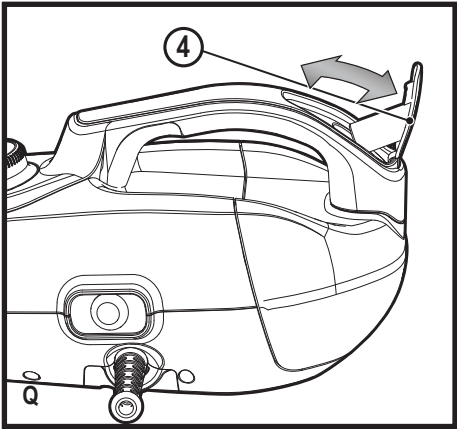
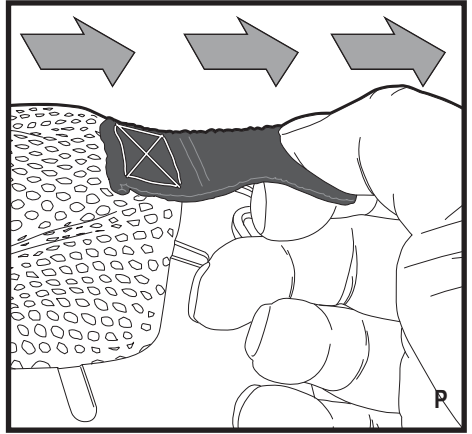
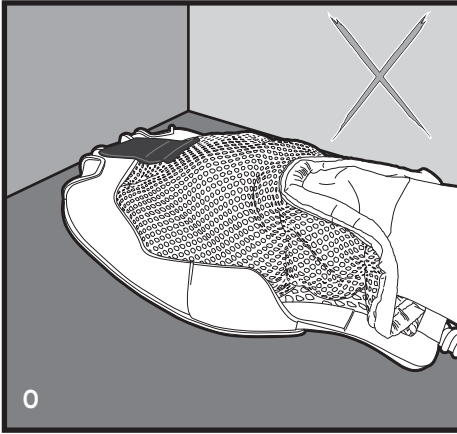












Intended use

Your BLACK+DECKER™ FSMH1321, FSMH13515M, FSMH13101SM, FSMH13151SM, FSMH1321J, FSMH1321JSM, FSMH1321JMD steam mop has been designed for sanitising and cleaning sealed hardwood, sealed laminate, linoleum, vinyl, ceramic tile, stone and marble floors. This appliance is intended for indoor household use only.

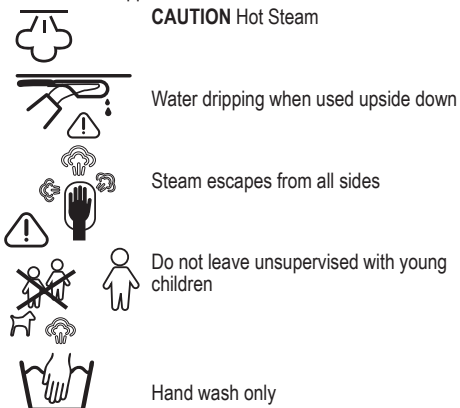
Safety Instructions



Warning! Read all Safety, Maintenance, Service manual carefully before operating this appliance. Read all of this manual carefully before operating this appliance.

Labels on appliance

The following pictograms along with the date code are shown on the appliance.



Features

This appliance includes some or all of the following features.

1. On/off switch
2. Autoselect™ dial
3. Hand held steam unit handle
4. Filler cap
5. Hand held steam unit
6. Hand grip
7. Top cable tidy hook
8. Main handle
9. Bottom cable tidy hook
10. Hand held steam unit release button
11. Main body
12. Floor cleaning head
- 12a. Steam burst floor cleaning head
- 12b. Carpet glider (for use on carpets)

13. Floor cleaning pad
14. Floor cleaning pad release tab
15. Hanging Bracket
16. Steam hose
17. Steam nozzle
18. Angle brush accessory (for use on hard to remove stains)
19. Brush accessory (for use on tiles / grout)
20. Squeegee accessory (for use on shower screens / glass / mirrors / clothing / upholstery)
- 20a. Squeegee sock
21. Large squeegee accessory (for use on shower screens / glass / mirrors / clothing / upholstery)
- 21a. Large squeegee sock
22. Steam burst brush unit
- 22a. Steam burst wire brush (for use on BBQ / ovens)
- 22b. Steam burst brush (for use on BBQ / ovens / oven hobs / taps / grout)
- 22c. Steam burst wide brush (for use on larger work surfaces)
23. Delta head (for use on clothing / upholstery / larger work surfaces)
- 23a. Flat surface cleaning pad
- 23b. Garment steaming interface (for use on clothing / upholstery)
- 23c. Garment steaming brush (for use on clothing / upholstery)
- 23d. Garment steaming pad (for use on clothing / upholstery)
24. Fabric and garment steamer pad (for use on clothing / upholstery)
25. SteaMitt™
26. SteaMitt™ hose
27. SteaMitt™ cleaning pad
28. Adjustable nozzle

Configuration

	FSMH1321	FSMH13515M	FSH13101SM	FSMH13151SM	FSMH13151SM	FSMH1321J	FSMH1321JSM	FSMH1321JMD	SETTINGS
12	✓	✓	✓	✓	✓	✓	✓	✓	All
12a			✓	✓	✓	✓	✓	✓	All
12b				✓	✓	✓	✓	✓	All
13	✓	✓	✓	✓	✓	✓	✓	✓	All
16	✓	✓	✓	✓	✓	✓	✓	✓	All
18	✓	✓	✓	✓	✓	✓	✓	✓	□
19	✓	✓	✓			✓	✓	✓	□ □ □
20	✓	✓	✓	✓	✓	✓	✓	✓	□

	FSMH1321	FSMH1351SM	FSH13101SM	FSMH13151SM	FSMH13151SM	FSMH1321J	FSMH1321JSM	FSMH1321JMD	SETTINGS
20a	✓	✓	✓	✓	✓	✓	✓	✓	□
21									□
21a									□
22				✓	✓				All
22a				✓	✓				All
22b				✓	✓				All
22c				✓	✓				All
23									All
23a									All
23b									□
23c									□
23d									□
24									□
25				✓	✓				N/A
28					✓				ALL

Assembly



Warning! Before attempting any of the following instructions, make sure that the appliance is switched off and unplugged and the appliance is cold and does not contain any water.

Attaching the handle (Fig. A)

- Slide the bottom end of the handle (8) into the top end of the steam mop body (11) until it clicks into place.

Attaching the hand held steam cleaner (Fig. B)

- Holding the back of the steam mop body (11) push the hand held steam cleaner (5) firmly into the steam mop body (11) making sure it sits correctly over the interface (11a) and clicks securely into place.

Removing the hand held steam cleaner (Fig. B)

- Push the release button (10) on the main body (11) and lift the hand held steam cleaner (5) off the interface (11a) and away from the main body (11).

Attaching a cleaning pad (Fig. C)

Replacement cleaning pads are available from your BLACK+DECKER dealer :- (cat no. FSMP20-XJ).

- Place a cleaning pad (13) on the floor with the velcro 'loop' side facing up.
- Lightly press the steam mop down onto the cleaning pad (13).

Note: This unit may be supplied with a standard floor cleaning head (12) or a steam burst cleaning head (12a). In either case use these instructions to fit a cleaning pad.

Caution! Never leave the steam mop in one spot on any

surface for any period of time. Always place the steam mop with the handle (8) supported in the upright position when stationary and make sure the steam mop is turned off when not in use.

Removing a cleaning pad

Caution! Always wear suitable shoes when changing the cleaning pad on your steam mop.

Do not wear slippers or open toed footwear.

- Return the handle (8) to the upright position and turn the steam mop 'OFF'.
- Wait until the steam mop cools down (approximately 5 minutes).
- Lift the steam mop away from the cleaning pad freeing it from the velcro fastening.

Caution! Never leave the steam mop in one spot on any surface for any period of time.

Always place the steam mop with the handle (8) supported in the upright position when stationary and make sure the steam mop is turned off when not in use.

Filling the water tank (Fig. Q)

Note! Fill the water tank with clean tap water (Do not use any additives or chemicals).

Note! In areas of hard water, the use of de-ionised water is recommended.

- Open the filler cap (4) by flipping it up.
- Fill the water tank with water (Do not use any additives or chemicals).

Warning! When filling, detach from main unit and maintain in a horizontal position.

Warning! Your water tank has a 0.5 litre capacity. Do not over fill the tank.

- Close the filler cap (4).

Note! Ensure the filler cap is firmly secured.

Attaching the carpet glider (12b) (For use on carpets only)

- Place the carpet glider (12b) on the floor.
- Attach a cleaning pad to the floor cleaning head (12)
- Lightly press the steam mop down onto the carpet glider (12b) until it clicks into place.

Caution! Never leave the steam mop in one spot on any surface for any period of time. Always place the steam mop with the handle (8) supported in the upright position when stationary and make sure the steam mop is turned off when not in use.

Removing the carpet glider

Caution! Always wear suitable shoes when changing the carpet glider on your steam mop. Do not wear slippers or open toed footwear.

- Return the handle (8) to the upright position and turn the steam mop 'OFF'.
- Wait until the steam mop cools down (approximately 5 minutes).
- Place the front of your shoe onto the carpet glider removal tab and press down firmly.
- Lift the steam mop up and off the carpet glider.

Caution! Never leave the steam mop in one spot on any surface for any period of time. Always place the steam mop with the handle (8) supported in the upright position when stationary and make sure the steam mop is turned off when not in use.

Attaching the hose and accessories to the hand held steam cleaner (Fig. G - O)

Warning! Inspect the seal between the connection point on the hand held steam cleaner (5) and the steam hose (16) before each use. If the seal malfunctions or is damaged, please contact your nearest authorised repair agent. Do not use the appliance.

Attaching the hose

- Press the steam hose release button (16a) on the steam hose (16).
- Connect the steam hose (16) to the hand held steam cleaner (5) and release the steam hose release button (16a) making sure it clicks into place.

Important! Ensure that the steam hose (16) is securely connected to the hand held steam cleaner (5). If steam escapes from the joint, the hose is incorrectly fitted. Switch off, allow the unit to cool then remove and refit the hose.

Attaching accessories (Fig H)

- Align the lugs on the steam nozzle (17) with the recesses on the accessory.
- Press the accessory onto the steam nozzle (17) and twist anti-clockwise until the accessory clicks into place.

Important! All accessories, apart from the SteaMitt™ (25) which has its own hose and connector (26), must be attached to the steam hose (16) for use.

Removing the hose and accessories

Warning! The steam hose (16), Steam nozzle (17) and accessories become hot during use. Allow the unit and all accessories to cool before attempting to remove.

Removing an accessory

- Twist the accessory clockwise then pull away from the hose (16).

Removing the hose

- Press the steam hose release button (16a) on the steam

hose (16) and pull away from the hand held steam unit.

SteaMitt™

Your BLACK+DECKER™ SteaMitt™ has been designed for sanitising and cleaning tiles, work tops, kitchen surfaces and bathroom surfaces. This appliance is intended for indoor household use only.

Attaching the SteaMitt™ hose to the hand held steam unit

Warning! Inspect the seal between the connection point on the hand held steam cleaner (5) and the SteaMitt™ hose (26) before each use. If the seal malfunctions or is damaged, please contact your nearest authorised repair agent. Do not use the appliance.

- Press the SteaMitt™ hose release button on the SteaMitt™ hose (26).
- Connect the SteaMitt™ hose (26) to the hand held steam cleaner (5) and release the SteaMitt™ hose release button making sure it clicks into place.

Important! Ensure that the SteaMitt™ hose (26) is securely connected to the hand held steam cleaner (5).

If steam escapes from the joint, the hose is incorrectly fitted. Switch off, allow the unit to cool then remove and refit the hose.

Fitting a cleaning pad to the SteaMitt™ (Fig. L)

- Fit the cleaning pad (27) to the SteaMitt™ (25) by attaching the 'loop' velcro strips (27a) on the upper side of the cleaning pad, to the 'hook' velcro pads (25a) on the underside of the SteaMitt™ (4). Press down firmly.

Warning! The SteaMitt™ should not be used without fitting a cleaning pad.

Note: The SteaMitt™ accommodates 3 types of cleaning pads of varying thickness. The thinnest can be used for cleaning 3D forms such as taps etc. The thicker versions can be used for larger flat areas.

Warning! Always use the SteaMitt™ as shown in figure M, with your hand inside the protective glove.

Warning! Never attempt to use the SteaMitt™ by gripping it externally as shown in figure N. This will result in scalding.

Warning! Avoid using the SteaMitt™ in tight corners as shown in figure O.

Warning! Should a problem occur during use, use the quick release tab to quickly remove the SteaMitt™ from your hand as shown in figure P.

Warning! Do not use the SteaMitt™ on cold glass, such as windows as damage may be caused by the sudden change in temperature.

Warning! Never point or direct the mitt at yourself or any other person.

Note: Variable steam dial is disconnected when the SteaMitt™ is fitted and subsequently the flow of steam is limited.

Use

Important! This unit will kill 99.9% of bacteria and germs when used in accordance with the instructions in this manual and with the micro fibre pads fitted and a continuous run time of 90 seconds.

Switching on and off

- To switch the appliance on, press the ON/Off switch (1). It takes approximately 15 seconds for the steam mop to heat up.
- To switch the appliance off, press the ON/Off switch (1).

Note: always have your hand inside the SteaMitt™ before you press the steam button.

Caution! Never leave the steam mop in one spot on any surface for any period of time.

Always place the steam mop with the handle (8) supported in the upright position when stationary and make sure the steam mop is turned off when not in use.

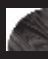


Caution! Always empty the steam mop after use.

Note! When first filled or after running dry, it can take up to 45 seconds for steam to be produced.

Autoselect™ Technology (Fig. R)

This steam mop is fitted with an Autoselect™ dial (2) which shows various cleaning applications. They are used to select the correct operating mode for your particular cleaning operation.

Using Autoselect™, choose from one of the following applications by turning the Autoselect™ dial (2) until the required setting is selected.

Setting	Mop	Hand held
	Wood/Laminate	High temperature steam for windows ●
	Stone/Marble	● ●
	Tiles/Vinyl	Low temperature steam for heavy grime ● ● ●

The steam mop will select the correct volume of steam required for your particular cleaning operation.

Note: Always check you are using the correct setting before using your steam mop.

Steam Burst (Fig. C1) (only available with units FSMH1310SM, FSMH13151SM)

The floor head (12a) is equipped with a steam burst pedal to aid in the removal of stubborn marks and stains.

- During use, press the steam burst pedal to apply extra cleaning power.
- To revert back to normal setting press the pedal again.

Hints for optimum use

General

Caution: Never use the steam mop without first attaching a cleaning pad.

- Always vacuum or sweep the floor before using the steam mop.
- The easiest way to use the appliance is to tilt the handle to a 45° angle and clean slowly, covering a small area at a time.
- Use water only with no additives or chemicals with your steam mop. To remove stubborn stains from vinyl or linoleum floors, you can pre-treat with a mild detergent and some water before using the steam mop.

Steam Cleaning with the mop

- Fit hand held steam cleaner (5) to the steam mop body (11)
- Place a cleaning pad (13) on the floor with the velcro 'loop' side facing up.
- Lightly press the steam mop down onto the cleaning pad (13).
- Connect the steam mop to the mains.
- Press the ON/OFF button (1). It takes approximately 15 seconds for the steam mop to heat up.
- Turn the Autoselect™ dial (2) until the required setting is reached. After a few seconds steam will start to come out of the steam head.

Note! When first filled or after running dry, it can take up to 45 seconds for steam to be produced.

- It takes a few seconds for steam to enter the cleaning pad. The steam mop will now glide easily over the surface to be sanitized/cleaned.
- Push and pull the steam mop slowly across the surface to thoroughly steam clean each section.
- When you have finished using the steam mop, return the handle (8) to the upright position, making sure that it is supported and turn it 'OFF'. Wait until the steam mop cools down (approximately five minutes).

Caution! It is important to monitor the water level in the water tank. To refill the water tank and continue to sanitize/clean stand the mop upright making sure that the handle is supported and turn the steam mop 'OFF'. Unplug the unit from the electrical wall outlet, and refill the water tank.

Caution! Never leave the steam mop in one spot on any surface for any period of time. Always place the steam mop with the handle (8) supported in the upright position when stationary and make sure the steam mop is turned off when not in use.

Carpet refreshing

- Place a cleaning pad (13) on the floor with the 'loop' side facing up.

- lightly press the steam mop down onto the cleaning pad.
- Place the carpet glider (12b) on the floor.
- Lightly press the steam mop down onto the carpet glider until it clicks into place.
- Connect the steam mop to the mains.
- Press the ON/OFF button (1). It takes approximately 15 seconds for the steam mop to heat up.
- Turn the Autoselect™ dial (2) to the Wood/Laminate setting.
- Push and pull the steam mop slowly across the carpet to thoroughly refresh each section.
- When you have finished using the steam mop, return the handle (8) to the upright position and turn the unit OFF. Wait until the steam mop cools down (approximately five minutes).

After use

- Turn the Autoselect™ dial (2) to the OFF position.
- Wait until the steam mop cools down.
- Unplug the steam mop from the electrical wall outlet.
- Empty the water tank.
- Remove the cleaning pad (13) and wash it ready for next use (take care to follow the wash care instructions printed on the cleaning pad).
- Wrap the supply cable around the cable tidy hooks (7 and 9).
- There is a hanging bracket (15) built into the hand grip (6) which allows your steam mop to be hung from a suitable hook on the wall. Always ensure that your wall hook is capable of supporting the weight of the steam mop safely.

Hand held steam cleaning

Warning! Unit will not produce steam unless it is connected to the main body (11) or the steam hose (16) is fitted.

Warning! Only use in a horizontal position.

- Attach the required accessory.
- Connect the hand held steam cleaner to the mains.
- Press the ON/OFF button (1). It takes approximately 15 seconds for the steam mop to heat up.
- Turn the Autoselect™ dial (2) until the required setting is reached. After a few seconds steam will start to come out of the steam head.

Note! When first filled or after running dry, it can take up to 45 seconds for steam to be produced.

- When you have finished using the hand held steam cleaner turn the Autoselect™ dial (2) to the OFF position. Turn the unit OFF by pressing the ON/OFF button (1) and disconnect from the mains supply. Wait until the unit cools down before storing (approximately five minutes).

Accessories

The performance of your appliance depends on the accessory used. BLACK+DECKER accessories are engineered to high quality standards and designed to enhance the performance of your appliance. By using these accessories you will get the very best from your equipment.

Protecting the environment



Separate collection. This product must not be disposed of with normal household waste.

Should you find one day that your BLACK+DECKER product needs replacement, or if it is of no further use to you, do not dispose of it with other household waste. Make this product available for separate collection.

- BLACK+DECKER provides a facility for recycling BLACK+DECKER products once they have reached the end of their working life. This service is provided free of charge. To take advantage of this service please return your product to any authorised repair agent who will collect them on our behalf.
- You can check the location of your nearest authorised repair agent by contacting your local BLACK+DECKER office at the address indicated in this manual. Alternatively, a list of authorized BLACK+DECKER repair agents and full details of our after-sales service and contact are available on the Internet at: www.2helpU.com.

Technical Data

		FSMH1321
Voltage	V _{ac}	220-240
Power	W	1300
Tank Capacity	ml	500
Weight	kg	2.7
		FSMH1351SM
Voltage	V _{ac}	220-240
Power	W	1300
Tank Capacity	ml	500
Weight	kg	2.7
		FSMH13101SM
Voltage	V _{ac}	220-240
Power	W	1300
Tank Capacity	ml	500
Weight	kg	2.8

FSMH1321		
Voltage	V _{ac}	220-240
Power	W	1300
Tank Capacity	ml	500
Weight	kg	2.7
FSMH1351SM		
Voltage	V _{ac}	220-240
Power	W	1300
Tank Capacity	ml	500
Weight	kg	2.7
FSMH13151SM		
Voltage	V _{ac}	220-240
Power	W	1300
Tank Capacity	ml	500
Weight	kg	2.8
FSMH1321J		
Voltage	V _{ac}	220-240
Power	W	1300
Tank Capacity	ml	500
Weight	kg	2.7
FSMH1321JSM		
Voltage	V _{ac}	220-240
Power	W	1300
Tank Capacity	ml	500
Weight	kg	2.8
FSMH1321JMD		
Voltage	V _{ac}	220-240
Power	W	1300
Tank Capacity	ml	500
Weight	kg	2.8

Troubleshooting

If your appliance seems not to operate properly, follow the instructions below. If this does not solve the problem, please contact your local BLACK+DECKER repair agent.

Problem	Step	Possible solution
The steam mop is not turning on	1.	Check the unit is plugged in at the wall socket.
	2.	Check the unit is switched on using the ON/OFF switch (1)
	3.	Check the fuse in the plug.
The steam mop is not producing steam	4.	The steam mop will only produce steam if the hand held steam cleaner (5) is correctly docked into the main body (11) or the steam hose is fitted or the Autoselect™ is turned to ON
	5.	Check that the water tank is full. Note: When first filled or after running dry it can take up to 45 seconds for steam to be produced.
	6.	Check steps 1, then 2, then 3
The steam mop stops producing steam during use	7.	Check steps 4, then 5, then 3
The steam mop is producing too much steam during use	8.	Turn the Autoselect™ dial (2) anti-clockwise to reduce the amount of steam being produced
The steam mop is producing too little steam during use	9.	Turn the Autoselect™ dial (2) clockwise to increase the amount of steam being produced
No steam is being produced from the hand held steam cleaner	10.	Check that the Autoselect™ dial (2) is at the ON position
	11.	Check steps 5, then 1, then 2, then 3
The hand held steam cleaner is producing too little steam during use	12.	Turn the Autoselect™ dial (2) clockwise to increase the amount of steam being produced
	13.	Check step 5
The hand held steam cleaner is producing too much steam during use	14.	Turn the Autoselect™ dial (2) anti-clockwise to reduce the amount of steam being produced
The accessories keep falling off the unit	15.	Refer to the assembly chapter for correct fitting instructions of all parts and accessories
Steam is escaping from unexpected areas of the unit	16.	Refer to the assembly chapter for correct fitting instructions of all parts and accessories
Where can I get further information/ accessories	17.	www.blackanddecker.co.uk/steammop www.blackanddecker.ie/steammop

Warranty

BLACK+DECKER is confident of the quality of its products and offers an outstanding warranty.

This warranty statement is in addition to and in no way prejudices your statutory rights.

If a BLACK+DECKER product becomes defective due to faulty materials, workmanship or lack of conformity, within 24 months from the date of purchase, BLACK+DECKER warranty to replace defective parts, repair products subjected to fair wear and tear or replace such products to ensure minimum inconvenience to the customer unless:

- The product has been used for trade, professional or hire purposes;
- The product has been subjected to misuse or neglect;
- The product has sustained damage through foreign objects, substances or accidents;
- Repairs have been attempted by persons other than authorised repair agents or BLACK+DECKER service staff.

To claim on the warranty, you will need to submit proof of purchase to the seller or an authorised repair agent. You can check the location of your nearest authorised repair agent by contacting your local BLACK+DECKER office at the address indicated in this manual.

Alternatively, a list of authorised BLACK+DECKER repair agents and full details of our after-sales service and contacts are available on the Internet at: www.2helpU.com.

Utilisation prévue

Votre balais vapeur BLACK+DECKER™ FSMH1321, FSMH13515M, FSMH13101SM, FSMH13151SM, FSMH1321J, FSMH1321JSM, FSMH1321JMD a été conçu pour désinfecter et nettoyer les planchers en bois durs, laminés, en lino, en vinyle, carrelés, en pierres et en marbre. Il est destiné à une utilisation à l'intérieur et exclusivement domestique.

Consignes de sécurité



Avvertissement ! Lisez attentivement l'intégralité des manuels de sécurité, de maintenance et d'entretien avant d'utiliser cet appareil. Lisez attentivement et entièrement le manuel avant d'utiliser l'appareil.

Étiquettes apposées sur l'appareil

Les pictogrammes suivants ainsi que le code date sont apposés sur l'outil.



ATTENTION Vapeur bouillante



Ruissellement d'eau lorsque l'appareil est utilisé à l'envers



La vapeur s'échapper de tous les côtés



Ne laissez l'appareil sans surveillance en présence de jeunes enfants



Lavage à la main

Caractéristiques

Cet appareil présente tout ou partie des caractéristiques suivantes.

1. Interrupteur Marche/Arrêt
2. Molette Autoselect™
3. Poignée de l'appareil à vapeur portable
4. Bouchon de remplissage
5. Appareil à vapeur portable
6. Poignée
7. Crochet supérieur de retenue de câble
8. Poignée principale
9. Crochet inférieur de retenue de câble
10. Bouton de libération de l'appareil à vapeur portable
11. Corps principal
12. Tête de nettoyage de sol
- 12a. Tête de nettoyage de sol avec booster vapeur
- 12b. Accessoire moquette (à utiliser sur les tapis)

13. Patin de nettoyage de sol
14. Languette de libération du patin de nettoyage de sol
15. Patte d'accrochage
16. Tuyau de vapeur
17. Buse vapeur
18. Brosse d'angle (à utiliser sur les taches tenaces)
19. Brosse (à utiliser sur le carrelage / les joints)
20. Raclette (à utiliser sur les pare-douches / le verre / les miroirs / les garnitures/ les tissus d'ameublement)
- 20a. Chaussette de raclette
21. Grande raclette (à utiliser sur les pare-douches / le verre / les miroirs / les garnitures/ les tissus d'ameublement)
- 21a. Grande chaussette de raclette
22. Brosse avec booster vapeur
- 22a. Brosse métallique avec booster de vapeur (à utiliser pour les BBQ / fours)
- 22b. Brosse avec booster de vapeur (à utiliser pour les BBQ / fours / réchauds / robinets / joints)
- 22c. Grande brosse avec booster de vapeur (à utiliser sur les plus grandes surfaces)
23. Tête triangulaire (à utiliser sur les garnitures / les tissus d'ameublement / les plus grandes surfaces)
- 23a. Patin de nettoyage pour surface plate
- 23b. Accessoire vapeur pour vêtements (à utiliser sur vêtements / les tissus d'ameublement)
- 23c. Brosse vapeur pour vêtements (à utiliser sur vêtements / les tissus d'ameublement)
- 23d. Patin vapeur pour vêtements (à utiliser sur vêtements / les tissus d'ameublement)
24. Patin vapeur pour tissus et vêtements (à utiliser sur vêtements / les tissus d'ameublement)
25. SteaMitt™
26. Tuyau SteaMitt™
27. Patin de nettoyage SteaMitt™
28. Buse réglable

Configuration

	FSMH1321	FSMH13515M	FSH13101SM	FSMH13151SM	FSMH13151SM	FSMH1321J	FSMH1321JSM	FSMH1321JMD	SETTINGS
12	✓	✓	✓	✓	✓	✓	✓	✓	Tous
12a			✓	✓	✓	✓	✓	✓	Tous
12b				✓	✓	✓	✓	✓	Tous
13	✓	✓	✓	✓	✓	✓	✓	✓	Tous
16	✓	✓	✓	✓	✓	✓	✓	✓	Tous
18		✓		✓	✓	✓	✓	✓	1
19	✓	✓	✓			✓	✓	✓	1001

	FSMH1321	FSMH1315SM	FSH1310SM	FSMH13151SM	FSMH13151SM	FSMH1321J	FSMH1321JSM	FSMH1321JMD	SETTINGS
20	✓	✓	✓	✓	✓	✓	✓	✓	☐
20a	✓	✓	✓	✓	✓	✓	✓	✓	☐
21									☐
21a									☐
22				✓	✓				Tous
22a				✓	✓				Tous
22b				✓	✓				Tous
22c				✓	✓				Tous
23									Tous
23a									Tous
23b									☐
23c									☐
23d									☐
24									☐
25				✓	✓				S/O
26					✓				TOUS

Assemblage



Avertissement ! Avant d'exécuter ce qui suit, assurez-vous que l'appareil est éteint, débranché, qu'il est froid et ne contient pas d'eau.

Fixation du manche (Fig. A)

- Glissez l'extrémité inférieure du manche (8) dans l'extrémité supérieure du corps du balai vapeur (11) jusqu'à ce qu'il s'enclenche en place.

Fixation du nettoyeur vapeur portable (Fig. B)

- Tout en maintenant l'arrière du corps du balai vapeur (11), poussez fermement le nettoyeur à vapeur portable (5) dans le corps du balai vapeur (11) en vous assurant qu'il est correctement en place dans le raccord (11a) et qu'il est bien enclenché.

Retrait du nettoyeur à vapeur portable (Fig. B)

- Enfoncez le bouton de libération (10) sur le corps principal (11) et soulevez le nettoyeur à vapeur portable (5) hors du raccord (11a) pour l'éloigner du corps principal (11).

Fixation d'un patin de nettoyage (Fig. C)

Vous trouverez des patins de nettoyage de rechange auprès de votre revendeur BLACK+DECKER (cat. n° FSMSP20-XJ).

- Placez un patin de nettoyage (13) sur le sol, côté avec la boucle en Velcro vers le haut.
- Appuyez légèrement le balai vapeur sur le patin de

nettoyage (13).

Remarque ! Cet appareil peut être livré avec un tête de nettoyage pour les sols standard (12) ou une tête de nettoyage vapeur (12a). Dans les deux cas utilisez ces instructions pour installer le patin de nettoyage.

Attention ! Ne laissez jamais le balai vapeur trop longtemps au même endroit. Placez toujours le balai vapeur, manche (8) à la verticale et assurez-vous que le balai est éteint lorsqu'il n'est pas utilisé.

Retrait de la lavette

Attention ! Portez toujours des chaussures adaptées pour changer la lavette de votre balai vapeur.

Ne portez pas de chaussons ou de pieds-nus.

- Remplacez le manche (8) en position verticale et éteignez le balai vapeur.
- Attendez que le balai vapeur ait refroidi (environ 5 minutes).
- Retirez le balai vapeur du patin de nettoyage en enlevant la fixation Velcro.

Attention ! Ne laissez jamais le balai vapeur trop longtemps au même endroit.

Placez toujours le balai vapeur, manche (8) à la verticale et assurez-vous que le balai est éteint lorsqu'il n'est pas utilisé.

Remplissage du réservoir d'eau (Fig. Q)

Remarque ! Remplissez le réservoir d'eau avec de l'eau propre du robinet (n'utilisez aucun additif ou produit chimique).

Remarque ! Dans les zones où l'eau est très calcaire, l'utilisation d'eau déionisée est recommandée.

- Ouvrez le bouchon de remplissage (4) en le basculant vers le haut.
- Remplissez le réservoir d'eau avec de l'eau (n'utilisez aucun additif ou produit chimique).

Avertissement ! Lors du remplissage détachez-le du module principal et gardez-le à l'horizontal.

Avertissement ! La capacité du réservoir d'eau est de 0.5 L. Ne remplissez pas trop le réservoir.

- Refermez le bouchon de remplissage (4).

Remarque ! Assurez-vous que le bouchon de remplissage est fermement refermé.

Fixation de l'accessoire moquette (12b) (à utiliser sur les tapis uniquement)

- Placez l'accessoire moquette (12b) sur le sol.
- Fixez un patin de nettoyage sur la tête de nettoyage (12)
- Appuyez légèrement le balai vapeur sur l'accessoire moquette (12b) jusqu'à ce qu'il s'enclenche en place.

Attention ! Ne laissez jamais le balai vapeur trop longtemps au même endroit. Placez toujours le balai vapeur, manche (8) à la verticale et assurez-vous que le balai est éteint lorsqu'il n'est pas utilisé.

Retrait de l'accessoire moquette

Attention ! Portez toujours des chaussures adaptées pour changer l'accessoire moquette du balai vapeur. Ne portez pas de chaussons ou de pieds-nus.

- Remplacez le manche (8) en position verticale et éteignez le balai vapeur.
- Attendez que le balai vapeur ait refroidi (environ 5 minutes).
- Placez l'avant de votre chaussure sur la languette de libération de l'accessoire moquette et appuyez fermement dessus.
- Soulevez le balai vapeur pour dégager l'accessoire moquette.

Attention ! Ne laissez jamais le balai vapeur trop longtemps au même endroit. Placez toujours le balai vapeur, manche (8) à la verticale et assurez-vous que le balai est éteint lorsqu'il n'est pas utilisé.

Fixation du tuyau et des accessoires sur le nettoyeur à vapeur portable (Fig. G - O)

Avertissement ! Contrôlez le joint entre le point de raccordement du nettoyeur vapeur portable (5) et le tuyau de vapeur (16) avant chaque utilisation. Si le joint dysfonctionne ou est endommagé, contactez le réparateur agréé Black & Decker le plus proche. N'utilisez pas l'appareil.

Fixation du tuyau

- Appuyez sur le bouton de libération du tuyau de vapeur (16a) sur le tuyau de vapeur (16).
- Raccordez le tuyau de vapeur (16) au nettoyeur vapeur portable (5) et relâchez le bouton de libération du tuyau de vapeur (16a) en vous assurant que le tuyau est bien en place.

Important ! Assurez-vous que le tuyau de vapeur (16) est correctement raccordé avant d'utiliser le nettoyeur à vapeur portable (5). Si de la vapeur s'échappe du joint, cela indique que le tuyau n'est pas correctement installé. Éteignez l'appareil et laissez-le refroidir, avant de retirer et de réinstaller le tuyau.

Fixation des accessoires (Fig. H)

- Alignez les pattes sur la buse vapeur (17) avec les encoches de l'accessoire.
- Enfoncez l'accessoire sur la buse vapeur (17) et tournez-le dans le sens inverse des aiguilles d'une montre jusqu'à ce qu'il s'enclenche en place.

Important ! Tous les accessoires, à l'exception du SteaMitt™ (25) qui dispose de son propre tuyau et son propre raccord (26) doivent être raccordés au tuyau de vapeur (16) pour être utilisés.

Retrait du tuyau et des accessoires

Avertissement ! Le tuyau de vapeur (16), la buse vapeur (17) et les accessoires deviennent chauds pendant l'utilisation. Laissez l'appareil et tous les accessoires refroidir avant de retirer ces derniers.

Retrait d'un accessoire

- Tournez l'accessoire dans le sens des aiguilles d'une montre, avant de le tirer hors du tuyau (16).

Retrait du tuyau

- Appuyez sur le bouton de libération du tuyau de vapeur (16a) sur le tuyau de vapeur (16) et retirez ce dernier du module vapeur portable.

SteaMitt™

Votre BLACK+DECKER™ SteaMitt™ a été conçu pour désinfecter et nettoyer les carrelages, plans de travail, surfaces de cuisines et de salles de bain. Il est destiné à une utilisation à l'intérieur et exclusivement domestique.

Fixation du tuyau du SteaMitt™ sur le module vapeur portable

Avertissement ! Contrôlez le joint entre le point de raccordement du nettoyeur vapeur portable (5) et le SteaMitt™ (26) avant chaque utilisation. Si le joint dysfonctionne ou est endommagé, contactez le réparateur agréé Black + Decker le plus proche. N'utilisez pas l'appareil.

- Appuyez sur le bouton de libération du tuyau du SteaMitt™ sur le tuyau du SteaMitt™ (26).
- Raccordez le tuyau du SteaMitt™ (26) au nettoyeur vapeur portable (5) et relâchez le bouton de libération du tuyau du SteaMitt™ en vous assurant que ce dernier s'enclenche bien en place.

Important ! Assurez-vous que le tuyau du SteaMitt™ (26) est correctement raccordé avant d'utiliser le nettoyeur à vapeur portable (5).

Si de la vapeur s'échappe du joint, cela indique que le tuyau n'est pas correctement installé. Éteignez l'appareil et laissez-le refroidir, avant de retirer et de réinstaller le tuyau.

Installation du patin de nettoyage sur le SteaMitt™ (Fig. L)

- Installez le patin de nettoyage (27) sur le SteaMitt™ (25) en fixant les bandes Velcro "bouclées" (27a) de la partie supérieure du patin de nettoyage sur les coussinets Velcro "crochetés" (25a) en dessous du SteaMitt™ (4). Appuyez fermement.

Avertissement ! Le SteaMitt™ ne doit pas être utilisé si le patin de nettoyage n'est pas installé.

Remarque : Le SteaMitt™ peut accueillir 3 types de patins de nettoyage de différentes épaisseurs. Le plus fin peut servir à nettoyer les formes en 3D comme les robinets, etc. Les plus épais peuvent servir pour les surfaces plates plus grandes.

Avertissement ! Utilisez toujours le SteaMitt™ comme illustré par la figure M, votre main à l'intérieur du gant de protection.

Avertissement ! Ne tentez jamais d'utiliser le SteaMitt™ en le tenant par l'extérieur, comme illustré par la figure N. Vous pourriez sinon vous brûler.

Avertissement ! Évitez d'utiliser le SteaMitt™ dans des coins étroits comme illustré par la figure O.

Avertissement ! En cas de problème pendant l'utilisation, utilisez la languette de libération rapide pour pouvoir rapidement retirer votre main du SteaMitt™ comme illustré par la figure P.

Avertissement ! N'utilisez pas le SteaMitt™ sur du verre froid, comme des fenêtres par exemple, car le choc thermique pourrait provoquer des dégâts.

Avertissement ! Ne pointez et ne dirigez jamais le Mittsteam™ vers vous-même ou d'autres personnes.

Remarque : La molette de réglage de la vapeur est déconnectée lorsque le SteaMitt™ est installé et le flux de vapeur est alors limité.

Utilisation

Important ! Cet appareil détruit 99.9 % des bactéries et germes pour autant qu'il soit utilisé conformément aux consignes décrites dans le présent manuel, avec de patins en microfibre et en fonctionnant en continu pendant 90 secondes.

Mise en marche et extinction

- Pour mettre l'appareil en marche, appuyez sur l'interrupteur Marche/Arrêt (1). Le balai vapeur a besoin d'environ 15 secondes pour chauffer.
- Pour éteindre l'appareil, appuyez sur l'interrupteur Marche/Arrêt (1).

Remarque : Assurez-vous de toujours avoir la main à l'intérieur du SteaMitt™ avant d'appuyer sur le bouton d'activation de la vapeur.

Attention ! Ne laissez jamais le balai vapeur trop longtemps au même endroit.

Placez toujours le balai vapeur, manche (8) à la verticale et assurez-vous que le balai est éteint lorsqu'il n'est pas utilisé.




Attention ! Videz toujours le balai vapeur après utilisation.

Remarque ! Au premier remplissage ou après avoir fonctionné à vide, la production de vapeur peut prendre jusqu'à 45 minutes.

Technologie Autoselect™ (Fig. R)

Ce balai vapeur est équipé d'une molette Autoselect™ (2) qui permet différents types de nettoyage. Elle permet de sélectionner le mode de fonctionnement approprié au nettoyage que vous souhaitez.

Grâce à Autoselect™, choisissez l'une des applications suivantes en tournant la molette Autoselect™ (2) jusqu'à atteindre le paramètre voulu.

Réglage	Balais	Portable
	Bois/Lamellé	Vapeur à haute température pour les fenêtres ●
	Pierre/Marbre	● ●
	Carrelage/Vinyle	Vapeur à basse température pour les taches tenaces ● ● ●

Le balai vapeur sélectionne le volume de vapeur approprié au nettoyage choisi.

Remarque : Contrôlez toujours que le réglage est correct avant d'utiliser votre balai vapeur.

Booster vapeur (Fig. C1) (uniquement sur FSMH1310SM, FSMH13151SM)

La tête pour sol (12a) est équipée d'une pédale pour booster la vapeur afin de supprimer les marques et les taches tenaces.

- Pendant l'utilisation, appuyez sur la pédale booster vapeur pour libérer plus de vapeur.
- Pour revenir à un mode de fonctionnement normal, appuyez à nouveau sur la pédale.

Conseils pour une utilisation optimale

Généralités

Attention : N'utilisez jamais le balai vapeur sans y avoir d'abord fixé une lavette.

- Aspirez ou balayez toujours le sol avant d'utiliser le balai vapeur.
- Le moyen le plus simple d'utiliser l'appareil est d'incliner le manche à 45° et de nettoyer lentement en couvrant de petites zones à la fois.
- Utilisez uniquement de l'eau dans votre balai vapeur, sans aucun additif ou produit chimique. Afin d'éliminer les taches tenaces sur les sols en vinyle ou en lino, vous pouvez les pré-traiter avec un mélange de détergent doux et d'eau, avant d'utiliser le balai vapeur.

Nettoyage à la vapeur avec le balai

- Fixez le nettoyeur vapeur portable (5) dans le corps du balai vapeur (11)
- Placez un patin de nettoyage (13) sur le sol, côté avec la boucle en Velcro vers le haut.
- Appuyez légèrement le balai vapeur sur le patin de nettoyage (13).
- Branchez le balai vapeur au secteur.
- Appuyez sur le bouton Marche/Arrêt (1). Le balai vapeur a besoin d'environ 15 secondes pour chauffer.

- Tournez la molette Autoselect™ (2) jusqu'à atteindre le bon réglage. Après quelques secondes, la vapeur commence à d'échapper de la tête vapeur.

Remarque ! Au premier remplissage ou après avoir fonctionné à vide, la production de vapeur peut prendre jusqu'à 45 minutes.

- La vapeur met quelques secondes pour atteindre le patin nettoyeur. Une fois fait, le balai vapeur glisse facilement sur la surface à désinfecter/nettoyer.
- Déplacez lentement le balai vapeur d'avant en arrière sur le sol pour nettoyer chaque zone à fond grâce à la vapeur.
- Une fois terminé, relevez le manche (8) à la verticale en vous assurant qu'il est soutenu et éteignez le balai. Attendez que le balai vapeur ait refroidi (environ cinq minutes).

Attention ! Il est important de surveiller le niveau d'eau dans le réservoir. Pour faire le plein d'eau et continuer à désinfecter/nettoyer, placez le balai à la verticale en vous assurant que le manche est soutenu et éteignez le balai vapeur. Débranchez l'appareil de la prise de courant murale, et remplissez le réservoir d'eau.

Attention ! Ne laissez jamais le balai vapeur trop longtemps au même endroit. Placez toujours le balai vapeur, manche (8) à la verticale et assurez-vous que le balai est éteint lorsqu'il n'est pas utilisé.

Rafraîchissement de moquette

- Placez un patin de nettoyage (13) sur le sol, côté avec la boucle en Velcro vers le haut.
- Appuyez légèrement le balai vapeur sur le patin de nettoyage.
- Placez l'accessoire moquette (12b) sur le sol.
- Appuyez légèrement le balai vapeur sur l'accessoire moquette jusqu'à ce qu'il s'enclenche en place.
- Branchez le balai vapeur au secteur.
- Appuyez sur le bouton Marche/Arrêt (1). Le balai vapeur a besoin d'environ 15 secondes pour chauffer.
- Tournez la molette Autoselect™ (2) sur la position Bois/Lamellé.
- Poussez et tirez lentement le balai vapeur sur la moquette pour nettoyer à fond chaque secteur.
- Une fois terminé, relevez le manche (8) à la verticale et éteignez le balai. Attendez que le balai vapeur ait refroidi (environ cinq minutes).

Après l'utilisation

- Tournez la molette Autoselect™ (2) jusqu'à la position Arrêt.
- Attendez que le balai vapeur refroidisse.
- Débranchez le balai vapeur de la prise de courant murale.
- Videz le réservoir d'eau.
- Retirez le patin de nettoyage (13) et lavez-le pour qu'il

soit prêt lors de la prochaine utilisation (prenez soin de respecter les instructions de lavage imprimées sur les patins de nettoyage).

- Entourez le câble d'alimentation des crochets de retenue de câble (7 et 9).
- La poignée (6) intègre une patte d'accrochage (15) qui permet de suspendre votre balai vapeur sur un support adapté fixé au mur. Vérifiez que le crochet mural peut supporter le poids du balai vapeur en toute sécurité.

Nettoyage vapeur avec le module portable

Avertissement ! Le module ne produit pas de vapeur tant qu'il n'est pas raccordé au corps principal (11) ou que le tuyau de vapeur (16) n'est pas installé.

Avertissement ! Ne l'utilisez qu'en position horizontale.

- Fixez l'accessoire nécessaire.
- Branchez le nettoyeur vapeur portable au secteur.
- Appuyez sur le bouton Marche/Arrêt (1). Le balai vapeur a besoin d'environ 15 secondes pour chauffer.
- Tournez la molette Autoselect™ (2) jusqu'à atteindre le bon réglage. Après quelques secondes, la vapeur commence à d'échapper de la tête vapeur.

Remarque ! Au premier remplissage ou après avoir fonctionné à vide, la production de vapeur peut prendre jusqu'à 45 minutes.

- Quand vous avez fini de vous servir du nettoyeur vapeur portable, tournez la molette Autoselect™ (2) en position Arrêt. Éteignez l'appareil en appuyant sur le bouton Marche/Arrêt (1) et débranchez-le du secteur. Patientez jusqu'à ce que l'appareil refroidisse avant de le ranger (environ cinq minutes).

Accessoires

Les performances de votre appareil dépendent des accessoires utilisés. Les accessoires BLACK+DECKER sont élaborés dans le respect de normes de qualité supérieures et ils sont conçus pour améliorer les performances de votre appareil. L'utilisation de ces accessoires vous permet de tirer le meilleur de votre équipement.

Protection de l'environnement



Collecte séparée. Ce produit ne doit pas être jeté avec les déchets domestiques normaux.

Si vous décidez de remplacer ce produit BLACK+DECKER, ou si vous n'en avez plus l'utilité, ne le jetez pas avec vos déchets domestiques. Rendez-le disponible pour une collecte séparée.

- BLACK+DECKER fournit un dispositif permettant de collecter et de recycler les produits BLACK+DECKER lorsqu'ils ont atteint la fin de leur cycle de vie. Pour pouvoir profiter de ce service, veuillez retourner votre produit à un réparateur agréé qui se chargera de le collecter pour nous.

- Pour connaître l'adresse du réparateur agréé le plus proche de chez vous, contactez le bureau BLACK+DECKER à l'adresse indiquée dans ce manuel. Vous pourrez aussi trouver une liste des réparateurs agréés de BLACK+DECKER et de plus amples détails sur notre service après-vente sur le site Internet à l'adresse suivante : www.2helpU.com

Données techniques

FSMH1321		
Tension	V_{ac}	220-240
Puissance	W	1300
Capacité du réservoir	ml	500
Poids	kg	2.7
FSMH1351SM		
Tension	V_{ac}	220-240
Puissance	W	1300
Capacité du réservoir	ml	500
Poids	kg	2.7
FSMH13101SM		
Tension	V_{ac}	220-240
Puissance	W	1300
Capacité du réservoir	ml	500
Poids	kg	2.8
FSMH1321		
Tension	V_{ac}	220-240
Puissance	W	1300
Capacité du réservoir	ml	500
Poids	kg	2.7

FSMH13151SM		
Tension	V_{ac}	220-240
Puissance	W	1300
Capacité du réservoir	ml	500
Poids	kg	2.8
FSMH1321J		
Tension	V_{ac}	220-240
Puissance	W	1300
Capacité du réservoir	ml	500
Poids	kg	2.7
FSMH1321JSM		
Tension	V_{ac}	220-240
Puissance	W	1300
Capacité du réservoir	ml	500
Poids	kg	2.8
FSMH1321JMD		
Tension	V_{ac}	220-240
Puissance	W	1300
Capacité du réservoir	ml	500
Poids	kg	2.8

Dépannage

Si votre appareil semble ne pas fonctionner correctement, suivez les instructions ci-dessous. Si le problème persiste, veuillez contacter votre réparateur local BLACK+DECKER.

Problème	Étape	Solution possible
Le balai vapeur ne s'allume pas	1.	Vérifiez que l'appareil est branché dans une prise murale.
	2.	Vérifiez que l'appareil a bien été allumé à l'aide de l'interrupteur Marche/Arrêt (1)
	3.	Vérifiez le fusible de la prise.
Le balai vapeur ne diffuse pas de vapeur	4.	Le balai vapeur ne produit de la vapeur que si le nettoyeur vapeur portable (5) est correctement raccordé au corps principal (11) ou que le tuyau de vapeur est installé ou si la molette Autoselect™ est en position Marche
	5.	Vérifiez que le réservoir d'eau est plein. Remarque : Au premier remplissage ou après avoir fonctionné à vide, la production de vapeur peut prendre jusqu'à 45 minutes.
	6.	Vérifiez l'étape 1, puis 2, puis 3
Le balai vapeur cesse de produire de la vapeur pendant l'utilisation	7.	Vérifiez l'étape 4, puis 5, puis 3
Le balai vapeur produit trop de vapeur pendant l'utilisation	8.	Tournez la molette Autoselect™ (2) dans le sens inverse des aiguilles d'une montre afin de réduire la quantité de vapeur produite

Le balai vapeur produit trop peu de vapeur pendant l'utilisation	9.	Tournez la molette Autoselect™ (2) dans le sens des aiguilles d'une montre afin d'augmenter la quantité de vapeur produite
Le nettoyeur vapeur portable ne produit aucune vapeur	10.	Vérifiez que la molette Autoselect™ (2) est en position Marche
	11.	Vérifiez l'étape 5, puis 1, puis 2, puis 3
Le nettoyeur vapeur portable produit trop peu de vapeur pendant l'utilisation	12.	Tournez la molette Autoselect™ (2) dans le sens des aiguilles d'une montre afin d'augmenter la quantité de vapeur produite
	13.	Vérifiez l'étape 5
Le nettoyeur vapeur portable produit trop de vapeur pendant l'utilisation	14.	Tournez la molette Autoselect™ (2) dans le sens inverse des aiguilles d'une montre afin de réduire la quantité de vapeur produite
Les accessoires tombent de l'appareil	15.	Consultez le chapitre sur l'assemblage pour savoir comment correctement installer les pièces et les accessoires
De la vapeur s'échappe par des zones non prévues de l'appareil	16.	Consultez le chapitre sur l'assemblage pour savoir comment correctement installer les pièces et les accessoires
Où puis-je obtenir plus d'informations/d'accessoires	17.	www.blackanddecker.co.uk/steam mop www.blackanddecker.ie/steammop

Garantie

BLACK+DECKER est confiant dans la qualité de ses produits et vous offre une garantie très étendue.

Ce certificat de garantie est un document supplémentaire et ne peut en aucun cas se substituer à vos droits légaux.

Si un produit BLACK+DECKER s'avère défectueux en raison de matériaux en mauvaises conditions, d'une erreur humaine, ou d'un manque de conformité dans les 24 mois suivant la date d'achat, BLACK+DECKER garantit le remplacement des pièces défectueuses, la réparation des produits usés ou cassés ou remplace ces produits à la convenance du client, sauf dans les circonstances suivantes:

- Le produit a été utilisé dans un but commercial, professionnel, ou a été loué.
- Le produit a été mal utilisé ou avec négligence.
- Le produit a subi des dommages à cause d'objets étrangers, de substances ou à cause d'accidents.
- Des réparations ont été tentées par des techniciens ne faisant pas partie du service technique de Black+Decker.

Pour avoir recours à la garantie, il est nécessaire de fournir une preuve d'achat au vendeur ou à un réparateur agréé. Pour connaître l'adresse du réparateur agréé le plus proche de chez vous, contactez le bureau BLACK+DECKER à l'adresse indiquée dans ce manuel.

Vous pourrez aussi trouver une liste des réparateurs agréés de BLACK+DECKER et de plus amples détails sur notre service après-vente sur le site Internet à l'adresse suivante : www.2helpU.com

أمر قرص الاختيار التلقائي (Autoselect™) (2) عكس عقارب الساعة لتقليل كمية البخار المنبعثة	8.	تننتج الماسحة البخارية الكثير جدا من البخار أثناء الاستخدام
أمر قرص الاختيار التلقائي (Autoselect™) (2) باتجاه عقارب الساعة لزيادة كمية البخار المنبعثة	9.	تننتج الماسحة البخارية القليل جدا من البخار أثناء الاستخدام
تحقق أن قرص الاختيار التلقائي (Autoselect™) (2) على وضع التشغيل	10.	لا يُنتج أي بخار من منظف البخار المحمول باليد
تحقق من الخطوات 5 ثم 1 ثم 2 ثم 3	11.	
أمر قرص الاختيار التلقائي (Autoselect™) (2) باتجاه عقارب الساعة لزيادة كمية البخار المنبعثة	12.	يُنتج منظف البخار المحمول باليد الكثير جدا من البخار أثناء الاستخدام
تحقق من الخطوة 5	13.	
أمر قرص الاختيار التلقائي (Autoselect™) (2) عكس عقارب الساعة لتقليل كمية البخار المنبعثة	14.	يُنتج منظف البخار المحمول باليد الكثير جدا من البخار أثناء الاستخدام
راجع فصل التجميع لتعليمات تركيب كل الأجزاء والملحقات بشكل سليم	15.	تسقط الملحقات من الجهاز
راجع فصل التجميع لتعليمات تركيب كل الأجزاء والملحقات بشكل سليم	16.	يتسرب البخار من مناطق غير متوقعة في الجهاز
www.blackanddecker.co.uk/steam mop www.blackanddecker.co.uk/steam mop	17.	أين يمكنني الحصول على المزيد من المعلومات/الملحقات

الضمان

تتق BLACK+DECKER في جودة منتجاتها وتعرض ضماناً طويل الأجل.

بيان الضمان هذا يكون بالإضافة إلى حقوقك التي يمنحها القانون ولا يخل بها بأي حال من الأحوال.

في حالة وجود خلل في منتج BLACK+DECKER بسبب عيب في المواد أو الصناعة أو عدم التوافق مع المعايير، خلال ٢٤ شهراً من تاريخ الشراء، تضمن BLACK+DECKER استبدال الأجزاء المعيبة وإصلاح المنتجات مع مراعاة التآكل واليلى الطبيعي أو استبدال هذه المنتجات لضمان أقل إزعاج للعميل ما لم:

- ◀ يتم استخدام المنتج في أغراض تجارية أو مهنية أو أغراض تآجير؛
- ◀ يتعرض المنتج لسوء الاستخدام أو الإهمال؛
- ◀ يتعرض المنتج للتلف نتيجة أشياء أو مواد غريبة أو حوادث؛
- ◀ يتم محاولة إصلاح المنتج بواسطة أشخاص غير وكلاء الصيانة المعتمدين أو فريق الصيانة التابع لشركة BLACK+DECKER

لتقديم مطالبة بموجب الضمان، سوف تحتاج إلى تقديم دليل الشراء للبايع أو وكيل الصيانة المعتمد. ويمكنك التعرف على موقع أقرب وكيل صيانة معتمد من خلال الاتصال على مكتب BLACK+DEcker المحلي في العنوان الموضح في هذا الدليل.

وبدلاً من ذلك، توجد قائمة بوكلاء الصيانة المعتمدين التابعين لشركة BLACK+DECKER والتفاصيل الكاملة لخدمات ما بعد البيع ووسائل الاتصال الخاصة بنا على الإنترنت على الموقع الإلكتروني:

www.2helpU.com

FSMH1315ISM		
220-240	الغولت) تردد	الجهد الكهربى
1300	وات	القدرة
500	مل	سعة الخزان
2.8	كجم	الوزن
FSMH1321J		
220-240	الغولت) تردد	الجهد الكهربى
1300	وات	القدرة
500	مل	سعة الخزان
2.7	كجم	الوزن
FSMH1321JSM		
220-240	الغولت) تردد	الجهد الكهربى
1300	وات	القدرة
500	مل	سعة الخزان
2.8	كجم	الوزن
FSMH1321JMD		
220-240	الغولت) تردد	الجهد الكهربى
1300	وات	القدرة
500	مل	سعة الخزان
2.8	كجم	الوزن

استكشاف الأعطال وإصلاحها

إذا كان يبدو أن جهازك لا يعمل بالشكل اللائم، فاتبع التعليمات الواردة بالأدنى. إذا لم يؤد هذا إلى حل المشكلة، يرجى الاتصال بوكيل إصلاح BLACK+DECKER المحلي.

المشكلة	الخطوة	الحل المحتمل
لا يبدأ تشغيل الماسحة البخارية	1.	تحقق من أن الجهاز موصل بالمقابس في الحائط
	2.	تحقق من تشغيل الوحدة باستخدام محول التشغيل/الإيقاف (I)
	3.	تحقق من المنصهر الموجود في القابس.
الماسحة البخارية لا تننتج بخارا	4.	سوف تننتج الماسحة البخارية البخار إذا كان منظف البخار المحمول باليد (5) موضوع بطريقة صحيحة في الهيكل الرئيسي (I1) أو في حالة تركيب خرطوم البخار أو عند تشغيل الاختيار التلقائي Autoselect™
	5.	تحقق من أن خزان المياه ممتلئ. ملاحظة: عند البدء لأول مرة أو التشغيل الجاف، يمكن أن يستغرق البخار مدة تصل إلى 45 ثانية لكي يُنتج.
	6.	تحقق من الخطوات 1 ثم 2 ثم 3
	7.	تحقق من الخطوات 4 ثم 5 ثم 3

- عندما تنتهي من استخدام الماسحة البخارية، أعد المقبض (8) إلى الوضع الرأسي وأقف تشغيل الجهاز. انتظر إلى أن تبرد الماسحة البخارية (حوالي خمس دقائق).
- **بعد الاستخدام**
 - أدر قرص الاختيار التلقائي (2) **(Autoselect™)** حتى وضع إيقاف التشغيل.
 - انتظر إلى أن تبرد الماسحة البخارية.
 - افصل الماسحة البخارية عن منفذ الكهرباء في الحائط.
 - قم بتفريغ خزان المياه.
 - انزع لوفة التنظيف (13) واغسلها لتكون جاهزة للاستخدام القادم (احرص على متابعة تعليمات رعاية الغسيل المطبوعة على لوفة الغسيل).
 - قم بتثبيت كابل الطاقة حول خطافي التعليق (7 و 9).
 - هناك فتحة تعليق (15) مدمجة في مقبض اليد (6) وتسمح بتعليق ماسحتك البخارية على خطاف ملائم على الحائط. تأكد دائماً من أن الخطاف الموجود على الحائط يستطيع تحمل وزن الماسحة البخارية بأمان.

منظف البخار المحمولة باليد

- تحذيراً: لن ينتج الجهاز بخاراً حتى يتم توصيله بالهيكل الأساسي (11) أو تركيب خرطوم البخار (16).
- تحذيراً: يُستخدم فقط في وضع أفقي.
- ثَبِّت الملحوظ المطلوب.
- أضعف منظف البخار المحمولة باليد بمأخذ التيار.
- اوصغ على زر التشغيل/الإيقاف (1). يستغرق الأمر حوالي 15 ثانية لكي تسخن الماسحة البخارية.
- أدر قرص الاختيار التلقائي (2) **(Autoselect™)** حتى الوصول للإعداد المطلوب. بعد تَوَانٍ قليلة سيبدأ البخار في الخروج من رأس البخار.
- ملاحظة: عند الملاء لأول مرة أو بعد التشغيل الجاف، يمكن أن يستغرق البخار مدة تصل إلى 45 ثانية لكي يُنتج.
- عندما تنتهي من استخدام منظف البخار المحمول باليد أدر قرص الاختيار التلقائي (2) **(Autoselect™)** لوضع إيقاف التشغيل. أوقف تشغيل الجهاز بواسطة الضغط على زر التشغيل/الإيقاف (1) وافصله عن مأخذ التيار. انتظر إلى أن يبرد الجهاز قبل تخزينه (حوالي خمس دقائق).

الملحقات

- يعتمد أداء هذه الأداة على الملحقات المستخدمة. صُنعت ملحقات **BLACK+DECKER** لتفي بمواصفات الجودة العالية، وُصِّمَت لتحسين أداء جهازك. سوف تحصل على أفضل أداء لجهازك بواسطة استخدام هذه الملحقات.

حماية البيئة

- الجمع المنفصل. يلزم عدم التخلص من هذا المنتج مع القمامة المنزلية العادية.



- إذا لزم في يوم من الأيام استبدال منتج **BLACK+DECKER** الخاص بك، أو إذا لم تعد تستخدمه، فلا تتخلص منه مع القمامة المنزلية الأخرى، بل تأكد من إتاحة هذا المنتج للجمع المنفصل.

البيانات الفنية

FSMH1321		
220-240	الغولت) تردد	الجهد الكهربائي
1300	وات	القدرة
500	مل	سعة الخزان
2.7	كجم	الوزن
FSMH135ISM		
220-240	الغولت) تردد	الجهد الكهربائي
1300	وات	القدرة
500	مل	سعة الخزان
2.7	كجم	الوزن
FSMH1310ISM		
220-240	الغولت) تردد	الجهد الكهربائي
1300	وات	القدرة
500	مل	سعة الخزان
2.8	كجم	الوزن
FSMH1321		
220-240	الغولت) تردد	الجهد الكهربائي
1300	وات	القدرة
500	مل	سعة الخزان
2.7	كجم	الوزن
FSMH135ISM		
220-240	الغولت) تردد	الجهد الكهربائي
1300	وات	القدرة
500	مل	سعة الخزان
2.7	كجم	الوزن

درجة والتنظيف ببطء، مع تغطية منطقة صغيرة في كل مرة. استخدم مياه فقط بدون أي إضافات أو مواد كيميائية مع مساحتك البخارية. لإزالة البقع المستعصية من أرضيات الفينيل أو المشمع، يمكنك معالجتها مسبقاً بمنظف خفيف وبعض الماء قبل استخدام الماسحة البخارية.

التنظيف البخار بواسطة الماسحة

- ركب منظف البخار المحمول باليد (5) في هيكل الماسحة البخارية (11)
- ضع لوفة التنظيف (13) على الأرض بحيث يتجه جانب شريط الفيلكرو "الحرزونات" لأعلى.
- اضغط بالماسحة البخارية برفق على لوفة التنظيف (13).
- قم بتوصيل الماسحة البخارية بمأخذ التيار.
- اضغط على زر التشغيل/الإيقاف (1). يستغرق الأمر حوالي 15 ثانية لكي تسخن الماسحة البخارية.
- أدر قرص الاختيار التلقائي (2) حتى الوصول للإعداد المطلوب. بعد ثوانٍ قليلة سيبدأ البخار في الخروج من رأس البخار.

ملاحظة! عند الملاء لأول مرة أو بعد التشغيل الجاف، يمكن أن يستغرق البخار مدة تصل إلى 45 ثانية لكي يُنتج.

- يستغرق الأمر ثوانٍ قليلة لكي يدخل البخار إلى لوفة التنظيف.
- ستزلق الماسحة البخارية الآن بسهولة على السطح الذي ستتم تعميمه/تنظيفه.
- ادفع الماسحة البخارية واسحبها ببطء على السطح لتنظيف كل قسم بالبخار جيداً.
- عندما تنتهي من استخدام الماسحة البخارية، أعد المقيض (8) إلى الوضع الرأسي، مع التأكد من أنه مسنود وفي وضع "إيقاف التشغيل". انتظر إلى أن تبرد الماسحة البخارية (حوالي خمس دقائق).

تنبيه! من المهم مراقبة مستوى الماء في خزان الماء. لإعادة ملء خزان الماء ومواصلة التنظيف / التنظيف، ضع الماسحة في الوضع الرأسي مع التأكد من أن المقيض مسنود وأدر زر الماسحة البخارية إلى وضع "إيقاف التشغيل". افصل الوحدة عن مأخذ التيار في الحائط، وأعد ملء خزان الماء. تنبيه! لا تترك الماسحة البخارية أبداً في مكان واحد على أي سطح لفترة من الزمن. ضع دائماً الماسحة البخارية بحيث يكون المقيض (8) في الوضع الرأسي عند الثبات وتأكد من إيقاف تشغيل الماسحة البخارية في حال عدم الاستخدام.

إنعاش السجاد

- ضع لوفة التنظيف (13) على الأرض بحيث يتجه جانب شريط الفيلكرو "الحرزونات" لأعلى.
- اضغط بالماسحة البخارية برفق على لوفة التنظيف.
- ضع زلاجة السجاد (12) على الأرض.
- اضغط الماسحة البخارية برفق على زلاجة السجاد حتى تُثبَّت في مكانها محدثة صوتاً.
- قم بتوصيل الماسحة البخارية بمأخذ التيار.
- اضغط على زر التشغيل/الإيقاف (1). يستغرق الأمر حوالي 15 ثانية لكي تسخن الماسحة البخارية.
- أدر قرص الاختيار التلقائي (2) حتى وضع الخشب/الشرايح.
- ادفع الماسحة البخارية واسحبها ببطء على السطح لإنعاش كل قسم بالكامل.

ملاحظة: ابق يديك دائماً داخل قفاز البخار SteaMitt™ قبل الضغط على زر البخار.

تنبيه! لا تترك الماسحة البخارية أبداً في مكان واحد على أي سطح لفترة من الزمن.

ضع دائماً الماسحة البخارية بحيث يكون المقيض (8) في الوضع الرأسي عند الثبات وتأكد من إيقاف تشغيل الماسحة البخارية في حال عدم الاستخدام.

تنبيه! أفرغ دائماً الماسحة البخارية بعد الاستخدام.

ملاحظة! عند الملاء لأول مرة أو بعد التشغيل الجاف، يمكن أن يستغرق البخار مدة تصل إلى 45 ثانية لكي يُنتج.

تكنولوجيا الاختيار التلقائي Autoselect™ (الشكل ص)

هذا الماسحة البخارية مركب بها قرص تشغيل تلقائي (2) Autoselect™ والذي يُظهر تطبيقات تنظيف عديدة. حيث تُستخدم لاختيار وضع التشغيل الصحيح لعملية التنظيف الخاصة بك. استخدام الاختيار التلقائي Autoselect™، اختار واحداً من التطبيقات التالية بواسطة تدوير قرص الاختيار التلقائي (2) Autoselect™ حتى يُحدد الإعداد المطلوب.

الإعداد	الماسحة	المحمولة باليد
	الخشب / الشرايح	درجة حرار عالية للنوافذ ●
	الحجر / الرخام	● ●
	البلاط / الفينيل	درجة حرارة منخفضة للإسباحت الكثيفة ● ● ●

ستختار الماسحة البخارية حجم البخار الصحيح اللازم لعملية التنظيف الخاصة بك.

ملاحظة: تحقق دائماً أنك تستعمل الإعداد الصحيح قبل استخدام الماسحة البخارية الخاصة بك.

تدفق البخار (الشكل ج 1) (متاح فقط مع جهازي FSMH1310SM وFSMH1315ISM)

إن رأس العلامات (12) مجهزة بدواسة تدفق البخار للمساعدة في إزالة العلامات المستعصية والبقع.

- أثناء الاستخدام، اضغط على دواسة تدفق البخار لتطبيق قوة تنظيف إضافية.
- للعودة إلى الإعداد الطبيعي اضغط مجدداً على الدواسة.

تلميحات لاستخدام أمثل

عام

- تنبيه: لا تستخدم الماسحة البخارية أبداً بدون تثبيت لوفة التنظيف أولاً.
- قم دائماً بكنس الأرض بالمكنسة أو يدوياً قبل استخدام الماسحة البخارية.
- أسهل طريقة لاستخدام الجهاز هي إمالة المقيض بزواوية 45

إذا كان القفل به خلل أو تالفًا، فيرجى الاتصال بأقرب وكيل إصلاح معتمد لديك. لا تستخدم الجهاز.

- اضغط على زر تحرير خرطوم قفاز البخار **SteaMitt™** في خرطوم قفاز البخار (26 **SteaMitt™**).

- أوصل خرطوم قفاز البخار (26 **SteaMitt™**) بمنظف البخار المحمول باليد (5) وحرر زر تحرير خرطوم قفاز البخار **SteaMitt™** مع التأكد أنه ثبت في مكانه محدثًا صوتًا.

هام! تأكد من أن خرطوم قفاز البخار (26 **SteaMitt™**) موصولًا بأمان في منظف البخار المحمول باليد (5).

إذا تسرب البخار من الوصلة، فهذا لأن الخرطوم لم يُركب بطريقة صحيحة.

أوقف التشغيل، واركب الجهاز حتى يبرد ثم افصل الخرطوم وأعد تركيبه.

تركيب لوفة التنظيف في قفاز البخار **SteaMitt™** (الشكل ل)

- ركب لوفة التنظيف (27) في قفاز البخار (25 **SteaMitt™**) بواسطة تثبيت أشرطة الفيديرو "الحرونات" (27) على الجانب العلوي من لوفة التنظيف، وأشرطة الفيديرو "الخطاطيف" (25) على الجانب السفلي من قفاز البخار (4 **SteaMitt™**). اضغط للأسفل بحزم.

تحذيرًا لا ينبغي استخدام قفاز البخار **SteaMitt™** بدون تركيب لوفة التنظيف.

ملاحظة: يتوافق قفاز البخار **SteaMitt™** مع 3 أنواع من لوف التنظيف المتفاوتة السمك. يمكن استخدام الأقل سمكًا لتنظيف الأشكال ثلاثية الأبعاد مثل الصنابير إلخ. ويمكن استخدام الأكثر سمكًا للمساحات الكبيرة المستوية.

تحذيرًا! استخدم دائمًا قفاز البخار **SteaMitt™** كما هو موضح في الشكل م، مع وضع يديك في القفازات الواقية.

تحذيرًا! لا تحاول مطلقًا استخدام قفاز البخار **SteaMitt™** بواسطة الإمساك به من الخارج كما هو موضح في الشكل ن. سيؤدي هذا إلى الاحتراق.

تحذيرًا! تجنب استخدام قفاز البخار **SteaMitt™** في الزوايا الضيقة كما هو موضح في الشكل س.

تحذيرًا! إذا حدثت مشكلة أثناء الاستخدام، استعمل لسان التحرير السريع لإزالة قفاز البخار **SteaMitt™** سريعًا من يديك كما هو موضح في الشكل ع.

تحذيرًا! لا تستخدم قفاز البخار **SteaMitt™** على الزجاج البارد، مثل النوافذ لأنها ممكن أن تتلف نظرًا للتغير المفاجئ في درجات الحرارة.

تحذيرًا! لا توجه أو تصوب القفاز مباشرة تجاه نفسك أو تجاه أي شخص آخر.

ملاحظة: يتم فصل قرص البخار المتغير عند تركيب قفاز البخار **SteaMitt™** وبالتالي يصبح تدفق البخار محدود.

الاستخدام

هام! يقضي الجهاز على 99.9% من البكتيريا والجراثيم عند استخدامه وفقًا لتعليمات هذا الدليل وباستخدام اللوف ذات الألياف الدقيقة ومع وقت تشغيل 90 ثانية.

التشغيل وإيقاف التشغيل

- لبدء تشغيل الجهاز، يُرجى الضغط على مفتاح التشغيل/الإيقاف (1).
- سيستغرق الأمر حوالي 15 ثانية لكي تسخن الماسحة البخارية.
- لإيقاف تشغيل الجهاز، يُرجى الضغط على مفتاح التشغيل/الإيقاف (1).

تنبيه! لا تترك الماسحة البخارية أبدًا في مكان واحد على أي سطح لفترة من الزمن. ضع دائمًا الماسحة البخارية بحيث يكون المقبض (8) في الوضع الرأسي عند الثبات وتأكد من إيقاف تشغيل الماسحة البخارية في حال عدم الاستخدام.

تثبيت الخرطوم والملحقات في منظف البخار المحمول باليد (الأشكال ز - س)

تحذيرًا! افحص القفل بين نقطة التوصيل في منظف البخار المحمول باليد (5) وخرطوم البخار (16) قبل كل استخدام. إذا كان القفل به خلل أو تالفًا، فيرجى الاتصال بأقرب وكيل إصلاح معتمد لديك. لا تستخدم الجهاز.

تثبيت الخرطوم

- اضغط على زر تحرير خرطوم البخار (16) في خرطوم البخار (16).

- أوصل خرطوم البخار (16) بمنظف البخار المحمول باليد (5) وحرر زر تحرير خرطوم البخار (16) مع التأكد أنه ثبت في مكانه محدثًا صوتًا.

هام! تأكد من أن خرطوم البخار (16) موصولًا بأمان في منظف البخار المحمول باليد (5). إذا تسرب البخار من الوصلة، فهذا لأن الخرطوم لم يُركب بطريقة صحيحة. أوقف التشغيل، واركب الجهاز حتى يبرد ثم افصل الخرطوم وأعد تركيبه.

تثبيت الملحقات (الشكل ح)

- قم بمحاذاة العراوي على فوهة البخار (17) مع وجود التجايف داخل الملحق.
- اضغط الملحق في فوهة البخار (17) وقم بالتدوير عكس عقارب الساعة حتى يُثبت المرفق في مكانه محدثًا صوتًا.
- هام! كل الملحقات، بعيدًا عن قفاز البخار (25 **SteaMitt™**) الذي لديه خرطومه الخاص وموصله (26)، يجب أن تُثبت في خرطوم البخار (16) للاستخدام.

إزالة الخرطوم والملحقات

تحذيرًا! تصبح كل من خرطوم البخار (16) وفوهة البخار (17) والملحقات ساخنة أثناء الاستخدام. اترك الجهاز وجميع الملحقات حتى تبرد قبل محاولة إزالتها.

إزالة الملحق

- أدرك الملحق باتجاه عقارب الساعة ثم اسحبه بعيدًا عن الخرطوم (16).

إزالة الخرطوم

- اضغط على زر تحرير خرطوم البخار (16) في خرطوم البخار (16) واسحبه بعيدًا عن وحدة البخار المحمولة باليد.

قفاز البخار **SteaMitt™**

صُمم قفاز البخار **BLACK+DECKER™ SteaMitt™** لتنظيف وتنظيف البلاط وأسطح العمل وأسطح المطابخ وأسطح الحمامات. الغرض من هذا الجهاز هو الاستخدام المنزلي الداخلي فقط. تثبيت خرطوم قفاز البخار **SteaMitt™** في وحدة البخار المحمولة باليد.

تحذيرًا! افحص القفل بين نقطة التوصيل في منظف البخار المحمول باليد (5) وخرطوم قفاز البخار (26 **SteaMitt™**) قبل كل استخدام.

(8) في الوضع الرأسي عند الثبات وتأكد من إيقاف تشغيل الماسحة البخارية في حال عدم الاستخدام.

إزالة لوفة التنظيف

تنبيه! ارتد دائماً أحذية ملامثة عند تغيير لوفة التنظيف في ماسحتك البخارية.

لا ترتدي شيئاً أو حذاءً مفتوحاً عند الأصابع.

- أعد المقيض (8) إلى الوضع الرأسي وأدر زر الماسحة البخارية إلى وضع "إيقاف التشغيل".
- انتظر إلى أن تبرد الماسحة البخارية (حوالي 5 دقائق).
- ارفع الماسحة البخارية بعيداً عن لوفة التنظيف مع تحريرها من مثبت الفيكتور.

تنبيه! لا تترك الماسحة البخارية أبداً في مكان واحد على أي سطح لفترة من الزمن.

ضع دائماً الماسحة البخارية بحيث يكون المقيض (8) في الوضع الرأسي عند الثبات وتأكد من إيقاف تشغيل الماسحة البخارية في حال عدم الاستخدام.

ملء خزان الماء (الشكل ف)

ملاحظة! املاً خزان الماء بماء صنبور نظيف (لا تستخدم أية إضافات أو مواد كيميائية).

ملاحظة! في مناطق الماء العسر، يوصى باستخدام الماء منزوع الأيونات.

- افتح غطاء فتحة التعبئة (4) عن طريق طيه للأعلى.
- املاً خزان الماء بالماء (لا تستخدم أية إضافات أو مواد كيميائية).
- تحذير! عند الملء، افصله عن الوحدة الرئيسية وحافظ عليه في وضع أفقي.
- تحذير! تبلغ سعة خزان الماء الخاص بك 0.5 لتر. لا تملأ الخزان فوق طاقته.

- اغلق غطاء فتحة التعبئة (4).
- ملاحظة! تأكد من أن غطاء فتحة التعبئة مأمّن بإحكام.

تثبيت زلاجة السجاد (12ب) (للاستخدام مع السجاد فقط)

- ضع زلاجة السجاد (12ب) على الأرض.
- ثبت لوفة التنظيف على راس تنظيف الأرضيات (12)
- اضغط الماسحة البخارية برفق على زلاجة السجاد (12ب) حتى تثبت في مكانها محدثة صوتاً.

تنبيه! لا تترك الماسحة البخارية أبداً في مكان واحد على أي سطح لفترة من الزمن. ضع دائماً الماسحة البخارية بحيث يكون المقيض (8) في الوضع الرأسي عند الثبات وتأكد من إيقاف تشغيل الماسحة البخارية في حال عدم الاستخدام.

إزالة زلاجة السجاد

- تنبيه! عليك أن ترتدي دائماً أحذية ملامثة عند تغيير زلاجة السجاد في ماسحتك البخارية. لا ترتدي شيئاً أو حذاءً مفتوحاً عند الأصابع.
- أعد المقيض (8) إلى الوضع الرأسي وأدر زر الماسحة البخارية إلى وضع "إيقاف التشغيل".
- انتظر إلى أن تبرد الماسحة البخارية (حوالي 5 دقائق).
- ضع مقدمة حذائك على لسان فك زلاجة السجاد واضغط للأسفل بحزم.
- ارفع ماسحة البخار لأعلى بعيداً عن زلاجة السجاد.

الرمز	FSMH1321JMD	FSMH1321JSM	FSMH1321J	FSMH1315ISM	FSMH1315ISM	FSH1310ISM	FSMH135ISM	FSMH1321
20	✓	✓	✓	✓	✓	✓	✓	✓
20i	✓	✓	✓	✓	✓	✓	✓	✓
21								
21i								
22				✓	✓			
22i				✓	✓			
22ب				✓	✓			
22c				✓	✓			
23								
23i								
23ب								
23ج								
23د								
24								
25				✓	✓			
28				✓				

التجميع

تحذير! قبل المحاولة في أي من التعليمات الآتية، تأكد من أن الجهاز مطفأ ومفصول عن التيار وأن الجهاز بارد ولا يحتوي على مياه.



تثبيت المقيض (الشكل أ)

- قم بتمرير الطرف السفلي للمقيض (8) إلى داخل الطرف العلوي للماسحة البخارية (11) حتى يثبت في مكانه محدثاً صوتاً.

تثبيت وحدة البخار المحمولة باليد (الشكل ب)

- أمسك بظهر هيكل ماسحة البخار (11) وادفع مقيض منظم البخار المحمول باليد (5) بثبات داخل هيكل ماسحة البخار (11) وتأكد من أنه ثبت بطريقة صحيحة فوق اللسان (11أ) وأنه أصدر صوت الأمان في مكانه.

إزالة منظم البخار المحمول باليد (الشكل ب)

- اضغط على زر التحرير (10) في الهيكل الرئيسي (11) واسحب منظم البخار المحمول باليد (5) بعيداً عن اللسان (11أ) وعن الهيكل الرئيسي (11).

تثبيت لوفة التنظيف (الشكل ج)

يتوفر لوف تنظيف بديل من موزع BLACK+DECKER (رقم الفقة FSMP20-XJ).

- ضع لوفة التنظيف (13) على الأرض بحيث يتجه جانب شريط الفيكتور "الحلزونات" لأعلى.
- اضغط بالماسحة البخارية برفق على لوفة التنظيف (13).

ملاحظة، ربما يُرفق مع هذه الوحدة رأس تنظيف أرضيات قياسية (12) أو رأس تنظيف الأرضيات بدفق البخار (12أ). في كلا الحالتين استخدم تلك التعليمات لتثبيت لوفة التنظيف.

تنبيه! لا تترك الماسحة البخارية أبداً في مكان واحد على أي سطح لفترة من الزمن. ضع دائماً الماسحة البخارية بحيث يكون المقيض

الغرض من الاستخدام

تم تصميم مساحتك البخارية BLACK+DECKER™ FSMH1321J, FSMH13515M, FSMH13101SM, FSMH13151SM, FSMH1321J, FSMH1321JSM, FSMH1321JMD المانعة للتسرب والسفرائح المانعة للتسرب والمشمع والفينيل وأرضيات السيراميك والحجر والرخام. الغرض من هذا الجهاز هو الاستخدام المنزلي الداخلي فقط.

تعليمات السلامة

تحذير! اقرأ دليل السلامة والصيانة والخدمة بالكامل بعناية قبل تشغيل هذا الجهاز. اقرأ هذا الدليل بالكامل بعناية قبل تشغيل هذا الجهاز.



الملصقات الموجودة على الجهاز

تظهر الصور التوضيحية التالية مع كود التاريخ على الجهاز

تنبيه بخار ساخن



تتساقط قطرات المياه عند استخدام الجهاز رأساً على عقب



يخرج البخار من كل الجوانب



لا تتركه بدون رقابة في وجود الأطفال



غسيل يدي فقط



الخواص

يشتمل هذا الجهاز على بعض أو جميع الأجزاء التالية:

1. مفتاح التشغيل/الإيقاف
2. قرص الاختيار التلقائي Autoselect™
3. مقبض وحدة البخار المحمولة باليد
4. غطاء فتحة التعبئة
5. وحدة البخار المحمولة باليد
6. مقبض اليد
7. خطاف علوي لتعليق الكابل
8. المقبض الرئيسي
9. خطاف سفلي لتعليق الكابل
10. زر تحرير وحدة البخار المحمولة باليد
11. الهيكل الرئيسي
12. رأس تنظيف الأرضيات
- 12أ. رأس تنظيف الأرضيات بدفق البخار
- 12ب. زلاجة السجاد
13. لوفة تنظيف الأرضيات

تهيئة

الرمز	FSMH1321JMD	FSMH1321JSM	FSMH1321J	FSMH13151SM	FSMH13151SM	FSH13101SM	FSMH13515SM	FSMH1321	
الجميع	✓	✓	✓	✓	✓	✓	✓	✓	12
الجميع	✓	✓	✓	✓	✓	✓	✓	✓	12أ
الجميع	✓	✓	✓	✓	✓	✓	✓	✓	12ب
الجميع	✓	✓	✓	✓	✓	✓	✓	✓	13
الجميع	✓	✓	✓	✓	✓	✓	✓	✓	16
□	✓	✓	✓	✓	✓	✓	✓	✓	18
□□□	✓	✓	✓	✓	✓	✓	✓	✓	19



WARRANTY REGISTRATION CARD

YOUR NAME/ VOTRE NOM/ الإسم

.....

YOUR ADDRESS/ VOTRE ADRESSE/ العنوان

.....

.....

.....

POSTCODE/ CODE POSTAL/ الرمز البريدي

.....

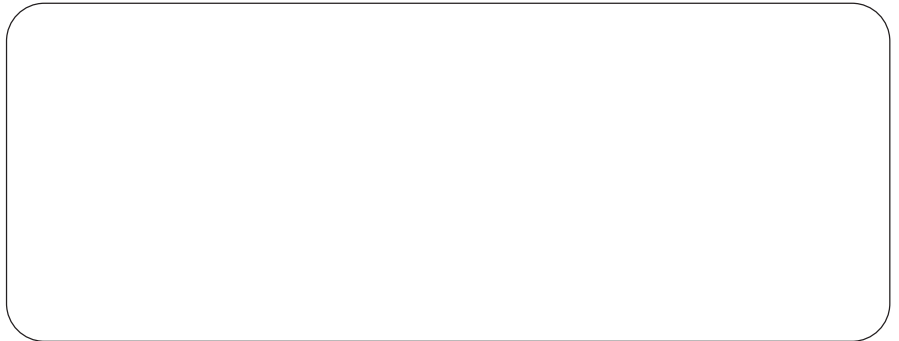
DATE OF PURCHASE/ JOUR D'ACHAT/ تاريخ الشراء

.....

DEALER'S NAME & ADDRESS/ NOM ET ADRESSE DU VENDEUR/ إسم و عنوان البائع

.....

.....



PRODUCT MODEL NO. FSMH1321, FSMH1351SM, FSMH13101SM, FSMH13151SM
FSMH1321J, FSMH1321JSM, FSMH1321JMD

