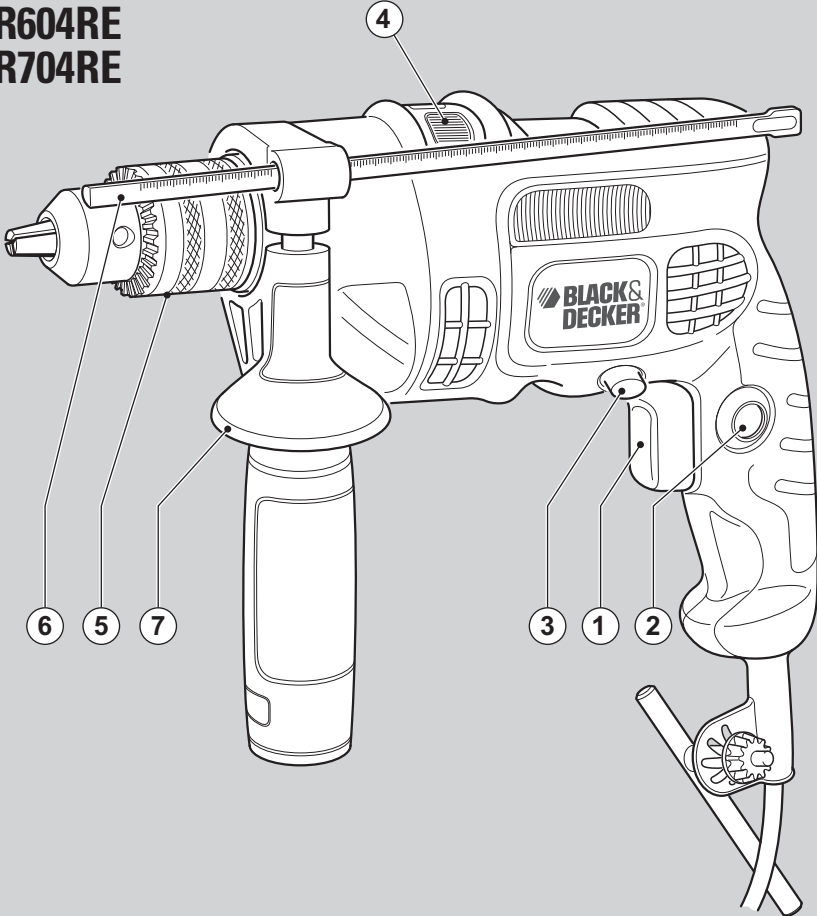
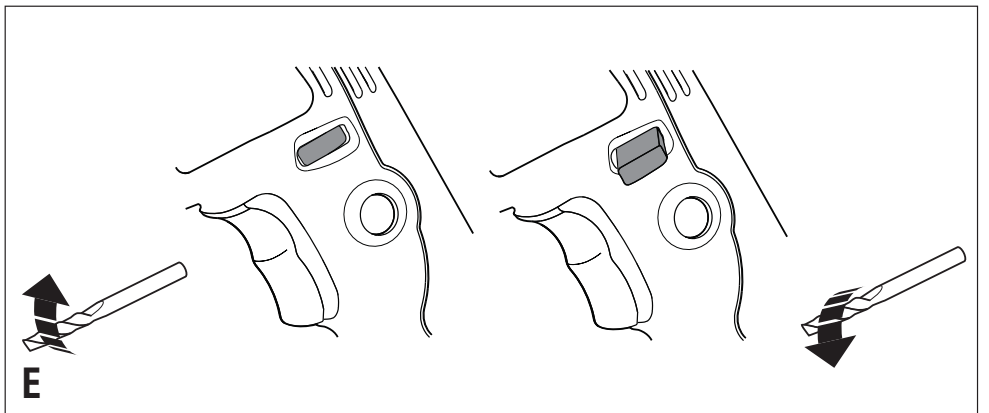
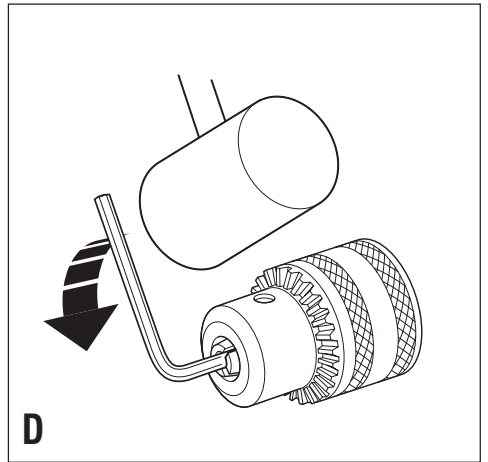
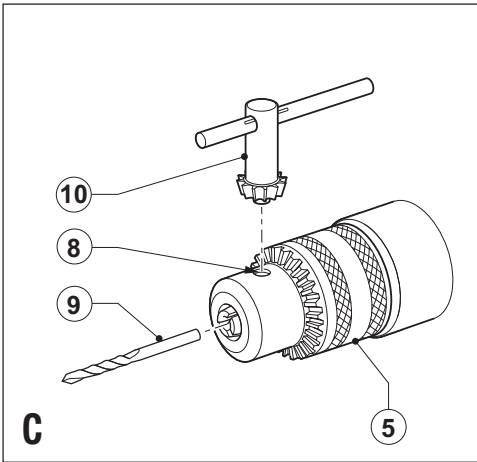
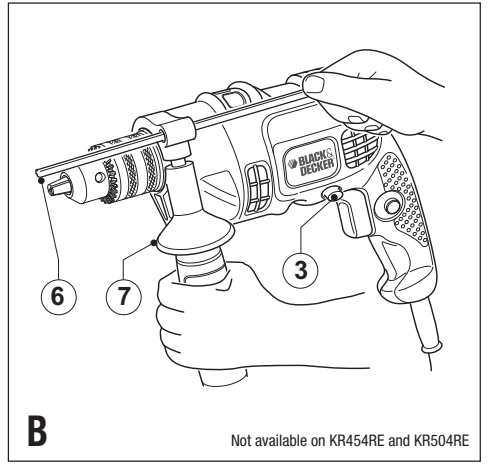
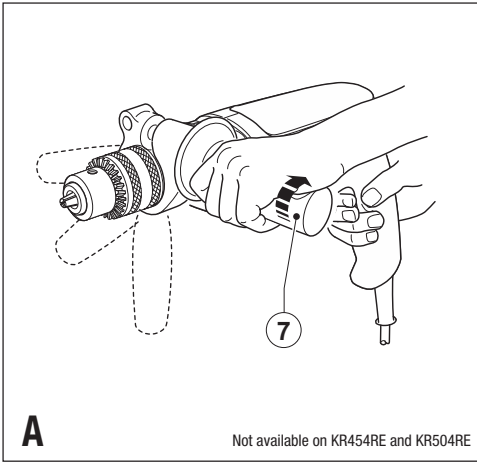


KR454RE  
KR504RE  
KR554RE  
KR604RE  
KR704RE



English	3
简体中文	7
繁體中文	10
한국어	13
ภาษาไทย	17
日本語	21



## KR454RE/504RE/554RE/604RE/704RE HAMMER DRILLS

### TECHNICAL DATA

Drill		KR454RE	KR504RE	KR554RE
Power	W	450	500	550
No Load Speed	/min	0-2800	0-2800	0-2800
Reverse		Yes	Yes	Yes
Max. Drilling Capacity				
– Wood/Steel/Masonry	mm	20/10/10	20/10/10	20/13/13
Cable Length	m	2	2	3

Drill		KR604RE	KR704RE
Power	W	600	710
No Load Speed	/min	0-2800	0-2800
Reverse		Yes	Yes
Max. Drilling Capacity			
– Wood/Steel/Masonry	mm	20/13/13	20/13/13
Cable Length	m	3	3

### INTENDED USE

Your Black & Decker hammer drill has been designed for drilling in wood, metal and plastics and masonry. This tool is intended for consumer use only.

### GENERAL SAFETY RULES



**WARNING! Read safety warnings and all instructions.** Failure to follow all instructions listed below may result in electric shock, fire and/or serious injury.

Save all warnings and instructions for future reference. The term “power tool” in all of the warnings listed below refers to your mains operated (corded) power tool or battery operated (cordless) power tool.

#### 1. Work area safety

- a. **Keep work area clean and well lit.** Cluttered or dark areas invite accidents.
- b. **Do not operate power tools in explosive atmospheres, such as in the presence of flammable liquids, gases or dust.** Power tools create sparks which may ignite the dust or fumes.
- c. **Keep children and bystanders away while operating a power tool.** Distractions can cause you to lose control.

#### 2. Electrical safety

- a. **Power tool plugs must match the outlet. Never modify the plug in any way.** Do not use any adapter plugs with earthed (grounded) power tools. Unmodified plugs and matching outlets will reduce risk of electric shock.
- b. **Avoid body contact with earthed or grounded**

**surfaces, such as pipes, radiators, ranges and refrigerators.** There is an increased risk of electric shock if your body is earthed or grounded.

- c. **Do not expose power tools to rain or wet conditions.** Water entering a power tool will increase the risk of electric shock.
- d. **Do not abuse the cord. Never use the cord for carrying, pulling or unplugging the power tool. Keep cord away from heat, oil, sharp edges or moving parts.** Damaged or entangled cords increase the risk of electric shock.
- e. **When operating a power tool outdoors, use an extension cord suitable for outdoor use.** Use of a cord suitable for outdoor use reduces the risk of electric shock.
- f. **If operating a power tool in a damp location is unavoidable, use a residual current device (RCD) protected supply.** Use of an RCD reduces the risk of electric shock.

#### 3 Personal safety

- a. **Stay alert, watch what you are doing and use common sense when operating a power tool. Do not use a power tool while you are tired or under the influence of drugs, alcohol or medication.** A moment of inattention while operating power tools may result in serious personal injury.
- b. **Use personal protective equipment. Always wear eye protection.** Protective equipment such as dust mask, non-skid safety shoes, hard hat, or hearing protection used for appropriate conditions will reduce personal injuries.
- c. **Prevent unintentional starting. Ensure the switch is in the off-position before connecting to power source and/or battery pack, picking up or carrying the tool.** Carrying power tools with your finger on the switch or energising power tools that have the switch on invites accidents.
- d. **Remove any adjusting key or wrench before turning the power tool on.** A wrench or a key left attached to a rotating part of the power tool may result in personal injury.
- e. **Do not overreach. Keep proper footing and balance at all times.** This enables better control of the power tool in unexpected situations.
- f. **Dress properly. Do not wear loose clothing or jewellery. Keep your hair, clothing and gloves away from moving parts.** Loose clothes, jewellery or long hair can be caught in moving parts.
- g. **If devices are provided for the connection of dust extraction and collection facilities, ensure these are connected and properly used.** Use of dust collection can reduce dust-related hazards.

#### 4. Power tool use and care

- a. **Do not force the power tool. Use the correct**

**power tool for your application.** The correct power tool will do the job better and safer at the rate for which it was designed.

- b. Do not use the power tool if the switch does not turn it on and off.** Any power tool that cannot be controlled with the switch is dangerous and must be repaired.
  - c. Disconnect the plug from the power source and/or the battery pack from the power tool before making any adjustments, changing accessories, or storing power tools.** Such preventive safety measures reduce the risk of starting the power tool accidentally.
  - d. Store idle power tools out of the reach of children and do not allow persons unfamiliar with the power tool or these instructions to operate the power tool.** Power tools are dangerous in the hands of untrained users.
  - e. Maintain power tools. Check for misalignment or binding of moving parts, breakage of parts and any other condition that may affect the power tool's operation. If damaged, have the power tool repaired before use.** Many accidents are caused by poorly maintained power tools.
  - f. Keep cutting tools sharp and clean.** Properly maintained cutting tools with sharp cutting edges are less likely to bind and are easier to control.
  - g. Use the power tool, accessories and tool bits etc. in accordance with these instructions, taking into account the working conditions and the work to be performed.** Use of the power tool for operations different from those intended could result in a hazardous situation.
- 5. Service**
- a. Have your power tool serviced by a qualified repair person using only identical replacement parts.** This will ensure that the safety of the power tool is maintained.

## ADDITIONAL POWER TOOL SAFETY WARNINGS



**WARNING!** Additional safety warnings for impact drills.

- **Wear ear protectors with impact drilling.** Exposure to noise can cause hearing loss.
- **Use auxiliary handles supplied with the tool.** Loss of control can cause personal injury.
- **Hold power tool by insulated gripping surfaces when performing an operation where the cutting accessory may contact hidden wiring.** Cutting accessory contacting a "live" wire may make exposed metal parts of the power tool "live" and could give the operator an electric shock.
- **Use clamps or another practical way to secure and support the workpiece to a stable platform.** Holding the work by hand or against your

body leaves it unstable and may lead to loss of control.

- Before drilling into walls, floors or ceilings, check for the location of wiring and pipes.
- Avoid touching the tip of a drill bit just after drilling, as it may be hot.
- This tool is not intended for use by persons (including children) with reduced physical, sensory or mental capabilities, or lack of experience and knowledge, unless they have been given supervision or instruction concerning use of the appliance by a person responsible for their safety. Children should be supervised to ensure that they do not play with the appliance.
- The intended use is described in this instruction manual. The use of any accessory or attachment or performance of any operation with this tool other than those recommended in this instruction manual may present a risk of personal injury and/or damage to property.

## ELECTRICAL SAFETY



This tool is double insulated; therefore no earth wire is required. Always check that the power supply corresponds to the voltage on the rating plate.

## FEATURES

This tool includes some or all of the following features.

1. Variable speed switch
2. Lock-on button
3. Forward/reverse button
4. Drilling mode selector
5. Chuck

The following accessories may not be available with your unit

6. Depth stop
7. Side handle

## ASSEMBLY



**WARNING!** Before assembly, make sure that the tool is switched off and unplugged.

### Fitting the side handle and depth stop (fig. A, B)

- Turn the grip counter clockwise until you can slide the side handle (7) onto the front of the tool as shown (fig. A).
- Rotate the side handle into the desired position.
- Insert the depth stop (6) into the mounting hole as shown (fig. B).
- Set the drilling depth as described below.
- Tighten the side handle by turning the grip clockwise.

### Fitting a drill bit (fig. C)

- Open the chuck by turning the sleeve (5) counter clockwise.



- Insert the bit shaft (9) into the chuck (drill bit not included).
- Insert the chuck key (10) into each hole (8) in the side of the chuck and turn clockwise until it is tight.

### Removing and refitting the chuck (fig. D)

- Open the chuck as far as possible.
- Remove the chuck retaining screw, located in the chuck, by turning it clockwise using a screwdriver.
- Tighten an Allen key into the chuck and strike it with a hammer as shown.
- Remove the Allen key. Remove the chuck by turning it counter clockwise.
- To refit the chuck, screw it onto the spindle and secure it with the chuck retaining screw.

### USE



**WARNING!** Let the tool work at its own pace. Do not overload.



**WARNING!** Before drilling into walls, floors or ceilings, check for the location of wiring and pipes.

### Selecting the direction of rotation (fig. E)

For drilling and for tightening screws, use forward (clockwise) rotation. For loosening screws or removing a jammed drill bit, use reverse (counter clockwise) rotation.

- To select forward rotation, push the forward/reverse button (3) to the left position.
- To select reverse rotation, push the forward/reverse button to the right. **Warning!** Never change the direction of rotation while the motor is running.

### Selecting the drilling mode

- For drilling in masonry, set the drilling mode selector (4) to the **T** position.
- For drilling in other materials and for screwdriving, set the drilling mode selector to the **A** position.

### Setting the drilling depth (fig. B)

- Slacken the side handle (7) by turning the grip counter clockwise.
- Set the depth stop (6) to the desired position. The maximum drilling depth is equal to the distance between the tip of the drill bit and the front end of the depth stop.
- Tighten the side handle by turning the grip clockwise.

### Switching on and off

- To switch the tool on, press the variable speed switch(1). The tool speed depends on how far you press the switch. As a general rule, use low speeds for large diameter drill bits and high speeds for smaller diameter drill bits.
- For continuous operation, press the lock-on button

(2) and release the variable speed switch. This option is available only at full speed in both forward and reverse modes.

- To switch the tool off, release the variable speed switch. To switch the tool off when in continuous operation, press the variable speed switch again and release it.

### MAINTENANCE

Your Black & Decker power tool has been designed to operate over a long period of time with a minimum of maintenance. Continuous satisfactory operation depends upon proper tool care and regular cleaning.

### IMPORTANT

To ensure product SAFETY and RELIABILITY, repairs, maintenance and adjustment (other than those listed in this manual) should be performed by authorized service centers or other qualified organizations, always using identical replacement parts. Unit contains no user serviceable parts inside.

### CLEANING



**WARNING:** Blow dirt and dust out of the main housing with dry air as often as dirt is seen collecting in and around the air vents. Wear approved eye protection and approved dust mask when performing this procedure.



**WARNING:** Never use solvents or other harsh chemicals for cleaning the non-metallic parts of the tool. These chemicals may weaken the materials used in these parts. Use a cloth dampened only with water and mild soap. Never let any liquid get inside the tool; never immerse any part of the tool into a liquid.

### ACCESSORIES

The performance of your tool depends on the accessory used. Black & Decker and Piranha accessories are engineered to high quality standards and designed to enhance the performance of your tool. By using these accessories you will get the very best from your tool. Black & Decker offers a large selection of accessories available at our local dealer or authorized service center at extra cost.



**CAUTION:** The use of any other accessory not recommended for use with this tool could be hazardous.

### PROTECTING THE ENVIRONMENT



Separate collection. This product must not be disposed of with normal household waste.

Should you find one day that your Black & Decker product needs replacement, or if it is of no further use to you, do not dispose of it with household waste. Make this product available for separate collection.



Separate collection of used products and packaging allows materials to be recycled and used again.

Re-use of recycled materials helps prevent environmental pollution and reduces the demand for raw materials. If necessary, contact your local municipality for proper disposal instructions in your city/town.

## **SERVICE INFORMATION**

Black & Decker offers a full network of company-owned and authorized service locations throughout Asia. All Black & Decker Service Centers are staffed with trained personnel to provide customers with efficient and reliable power tool service. Whether you need technical advice, repair, or genuine factory replacement parts, contact the Black & Decker location nearest to you.

## **NOTES**

- Black & Decker's policy is one of continuous improvement to our products and, as such, we reserve the right to change product specifications without prior notice.
- Standard equipment and accessories may vary by country.
- Product specifications may differ by country.
- Complete product range may not be available in all countries. Contact your local Black & Decker dealers for range availability.

## KR454RE/504RE/554RE/604RE/704RE 冲击钻

### 技术参数

电钻		KR454RE	KR504RE	KR554RE
功率	瓦	450	500	550
空载速度	/分	0-2800	0-2800	0-2800
正反转		是	是	是
最大钻孔能力				
- 木材/钢材/砖石	毫米	20/10/10	20/10/10	20/13/13
电缆长度	米	2	2	3

电钻		KR604RE	KR704RE
功率	瓦	600	710
空载速度	/分	0-2800	0-2800
正反转		是	是
最大钻孔能力			
- 木材/钢材/砖石	毫米	20/13/13	20/13/13
电缆长度	米	3	3

### 设计用途

您的Black & Decker冲击钻设计用于在木材、钢材和砖石上钻孔。本工具仅供消费者使用。

### 一般安全规则



**警告！** 阅读说明没有按照以下列举的说明而使用或操作将导致触电、着火和/或严重伤害。在所有以下列举的警告中术语“电动”工具指市电驱动（有线）电动工具或电池驱动（无线）电动工具。

#### 保存这些说明

##### a) 工作场地

- 保持工作场地清洁和明亮。混乱和黑暗的场地会引发事故。
- 不要在易爆环境，如有易燃液体、气体或粉尘的环境下操作电动工具。电动工具产生的火花会点燃粉尘或气体。
- 让儿童和旁观者离开后操纵电动工具。分心会让你放松控制。

##### b) 电气安全

- 电动工具插头必须与插座相配。不能以任何方式改装插头。需接地的电动工具不能使用任何转换插头。未经改装的插头和相配的插座将减少触电危险。
- 避免人体接触接地表面，如管道、散热片和冰箱。如果你身体接地会增加触电危险。
- 不得将电动工具暴露在雨中或潮湿环境中。水进入电动工具将增加触电危险。
- 不得滥用电线。绝不能用电线搬运、拉动电动工具或拔出其插头。让电动工具远离热、油、锐边或运动部件。受损或缠绕的电线会增加

触电危险。

- 当在户外使用电动工具时，使用适合户外使用的外接电线。适合户外使用的电线将减少触电危险。

##### c) 人身安全

- 保持警觉，当操作电动工具时关注所从事的操作并保持清醒。切勿在有疲倦、药物、酒精或治疗反应下操作电动工具。在操作电动工具期间精力分散会导致严重人身伤害。
- 使用安全装置。始终配戴护目镜。安全装置，诸如适当条件下的防尘面具、防滑安全鞋、安全帽、听力防护等装置能减少人身伤害。
- 避免突然启动。确保开关在插入插头时处于关断位置。手指放在已接通电源的开关上或开关处于接通时插入头可能会导致危险。
- 在电动工具接通之前，拿掉所有调节钥匙或扳手。遗留在电动工具旋转零件上的扳手或钥匙会导致人身伤害。
- 手不要伸得太长。时刻注意脚下和身体平衡。这样在意外情况下能很好地控制电动工具。
- 着装适当。不要穿宽松衣服或佩戴饰品。让你的头发、衣服和袖子远离运动部件。宽松衣服、配饰或长发可能会卷入运动部件。
- 如果提供了与排屑装置、集尘设备连接用的装置，则确保他们连接完好且使用得当。使用这些装置可减少碎屑引起的危险。

##### d) 电动工具使用和注意事项

- 不要滥用电动工具，根据用途使用适当的电动工具。选用适当的设计额值的电动工具会使你工作有效、更安全。
- 如果开关不能接通或关断工具电源，则不能使用该电动工具。不能用开关来控制的电动工具是危险的且必须进行修理。
- 在进行任何调节、更换附件或贮存电动工具之前，必须从电源上拔掉插头和/或将电池盒脱离电源。这种防护性措施将减少电动工具突然启动的危险。
- 将闲置电动工具贮存在儿童所及范围之外，并且不要让不熟悉电动工具或对这些说明不了解的人操作电动工具。电动工具在未经训练的用户手中是危险的。
- 保养电动工具。检查运动部件的安装偏差或卡住、零件破损情况和影响电动工具运行的其它条件。如有损坏，电动工具必须在使用前修理好。许多事故由维护不良的电动工具引发。
- 保持切削刀具锋利和清洁。保养良好的有锋利切削刃的刀具不易卡住而且容易控制。
- 按照使用说明书以及打算使用的电动工具的特殊类型要求的方式，考虑作业条件和进行的作业来使用电动工具、附件和工具的刀头等。电动工具用作那些与要求不符的操作可能会导致危险情况。

## e) 维修


1. 将您的电动工具送交专业维修人员，必须使用同样的备件进行更换。这样确保所维修的电动工具的安全性。

## 电动工具的附加安全守则

### 警告！冲击电钻附加安全警告

- 使用冲击电钻时请佩戴听力保护器。噪音会损伤听力。
- 请使用电钻随附的辅助手柄。工具失控会导致人身伤害。
- 如果在执行操作时钻具可能会接触隐藏的电线，请握住绝缘手柄表面。钻具如果接触到“带电”导线，电动工具金属部件表面就会“带电”并使操作人员触电。
- 使用夹具或采取其它可行的方法，将工件固定、支撑到稳定的平台上。手持或用身体顶住工件都是不稳定的，会导致操作失控。
- 在墙上钻孔之前，请检查电线和钢管位置。
- 不要在钻孔后立刻碰触可能还带热的钻头尖端。
- 本工具不适合体力、感觉或智力不足，或者缺乏经验及知识的人员（包括小孩）使用，除非负责他们安全的人员已经为他们提供关于使用此器具的监督或指示。必须监督小孩，确保他们没有耍玩器具。
- 工具的预期用途在本说明手册中描述。除了本说明手册中所建议的之外，使用其他任何附件或附加装置或任何操作的性能，可能存在人身伤害和/或财产损害的危险。

## 电气安全

 本工具为双重绝缘，因此无须接地线。请务必检查电源电压是否与铭牌一致。

## 功能部件


本工具包括以下部分或所有功能部件。

1. 变速开关
2. 锁定按钮
3. 正/反转按钮
4. 钻孔模式选择器
5. 夹头

您的装置可能不附带以下附件。

6. 深度尺
7. 侧手柄

## 装配

 警告！装配之前，请确定已关闭工具电源并拔下工具插头。

### 安装侧手柄和深度尺（图A和B）

- 逆时针转动手柄直到您可以将侧手柄 (7) 滑动至工具正面为止，如图所示（图A）。
- 将侧手柄转入所需位置。
- 将深度尺 (6) 插入安装孔，如图所示（图B）。
- 按照以下说明设置钻孔深度。
- 通过顺时针转动手柄转紧侧手柄。


### 安装钻头（图C）


- 通过逆时针转动套管 (5) 打开夹头。
- 将钻头轴 (9) 插入夹头（不附带钻头）。
- 将夹头锁匙 (10) 插入夹头的每个插孔 (8) 然后顺时针转紧。

### 卸下及装回夹头（图D）

- 尽可能快的打开夹头。
- 用螺丝起子顺时针转动夹头的固定螺钉将夹头取出。
- 将内六角起子转紧到夹头内，然后用锤子打击，如图所示。
- 取出内六角起子。逆时针转动夹头将它取出。
- 要装回夹头，可将它旋入心轴，然后用夹头固定螺钉将它锁紧。

## 使用

 警告！请让工具以它自己的速度工作。切勿使它过载。

 警告！在墙上钻孔之前，请检查电线和钢管位置。

### 选择旋转方向（图E）

- 如果要钻孔和转紧螺钉，使用向前（顺时针）旋转。如果要转松螺钉或取出卡住的钻头，使用向后（逆时针）旋转。
- 要选择向前旋转，将正反转滑块 (3) 拨到左边。
- 要选择向后旋转，将正反转滑块拨到右边。警告！在马达运行时切勿更改旋转方向。

### 选择钻孔模式

- 在砖石上钻孔时，将钻孔模式选择器 (4) 设置到 **T** 位置。
- 在其他材料上钻孔以及执行平钻操作时，将钻孔模式选择器设置到 **1** 位置。

### 设置钻孔深度（图B）

- 通过逆时针转动手柄转松侧手柄 (7)。
- 将深度尺 (6) 设置到所需位置。最大钻孔深度等于于钻头尖端与深度尺前末端之间的距离。
- 通过顺时针转动手柄转紧侧手柄。

### 打开和关闭


- 要打开工具电源，请按变速开关 (1)。工具转

工具转速取决于您按下开关的程度。作为常规，使用大直径钻头时采用低速，使用小直径钻头时则采用高速

- 要使工具连续运行，按下锁定按钮 (2) 然后松开变速开关。此选项只在向前和向后模式中以全速运作时可用。
- 要关闭工具电源，请放开变速开关。要在持续操作时关闭工具电源，请再次按下变速开关然后放开。

## 维护

您的百得电动工具设计精良，可以长期使用，仅需极少维护。要连续获得令人满意的工作效果，需要您做合适的保养和定期的清洁。

 **警告！** 维护工具前，必须取下电池；清洁充电器前，请拔下插头。

- 定期使用软刷或干布清洁工具的通风槽。
- 定期使用湿布清洁马达外壳，但不得使用任何研磨性或溶剂型清洁剂。
- 定期打开并轻拍夹头，清除内部灰尘。


本工具不可由用户进行维修。请将工具交给授权的百得修理机构。


除了定期清洁外，充电器不须其它维护。

## 重要说明


为确保产品的安全性和可靠性，应由授权的维修中心或其它合格组织修理、维护和调整（非本手册所列项目）机器，并始终使用相同的备件。装置内不含有用户可维修部件。

## 清洁

 **警告：** 一旦通风口及其周围积聚可见的粉尘，请即用干燥的压缩空气吹走主机外壳内的粉尘和灰尘。进行这一步骤时，请佩戴经认可的护目装备和认可的面罩。

 **警告：** 切勿使用溶剂或其它刺激性化学品来清洁工具的非金属部件。这些化学品可能削弱零件中使用的材料。只能使用抹布蘸中性肥皂水进行清洁。勿使任何液体进入工具；勿使工具的任何部分浸入液体中。

### 充电器清洁说明

 **警告：触电危险。** 清洁之前，请把充电器与交流电插座断开。可使用布或软的非金属刷，清除充电器内部的粉尘和油脂。不得使用水或任何清洁溶液。

## 配件

所有电动工具的性能都是依赖使用得当的配件的，百

得的配件都是经精心设计，并以最佳物料制造、再经无数次严谨的测试合格才推出市场的；故其质量第一，务求与电动工具相辅相成。购买百得配件会令您的百得电动工具如虎添翼。

百得有一系列的配件，可以在当地的经销商及维修中心选购。



**注意：** 本电动工具使用任何未经推荐的配件，均可能导致危险。

## 保护环境



分类回收。此类产品不得和普通家庭垃圾一起处理。

如果某一天您的百得产品需要更换或不再使用，请不要把她和家庭垃圾一起处理。把该产品单独分类回收。



旧产品和旧包装的分类回收使材料能够得以再循环和再利用。再循环材料的重新利用有助于防止环境污染和减少原料需求。

必要时，请与本市/镇市政联系，以咨询相关的处理信息。

## 电池

百得电池可以多次充电使用。在其使用寿命结束时，请务必小心处理，以保护环境：

将电完全用尽，从工具上取下电池。

NiCd和NiMH电池是可以回收的。把它们送往本地的回收站。

## 维修信息

百得为您提供我们在全亚洲公司所有的和公司授权的维修点网络。所有的百得维修中心均配备训练有素的人员，可为客户提供高效可靠的电动工具维修。无论您需要的是技术建议、修理还是原厂备件，均可联系最近的百得维修点为您服务。

## 注意事项

- 百得实行的是对我们的产品持续改进的政策；因此，我们保留不另行通知即可更改产品规格的权利。
- 标准装置和配件因国家而异。
- 产品规格会按国家而有所不同。
- 完整的产品系列不一定在所有的国家均可用。请联系您当地的百得经销商，咨询产品系列的可用性。

制造商：百得美国公司

地址：美国

生产厂：百得（苏州）精密制造有限公司

地址：苏州工业园区苏虹中路200号出口加工区

# KR454RE/504RE/554RE/604RE/704RE 震動電鑽

## 技術參數

電鑽		KR454RE	KR504RE	KR554RE
功率	瓦特	450	500	550
空載速度	/分	0-2800	0-2800	0-2800
反轉		是	是	是
最大鑽孔效能				
- 木材/鋼材/磚石	公釐	20/10/10	20/10/10	20/13/13
電源線長度	米	2	2	3
重量	公斤	1.6	1.6	2.0
電鑽		KR604RE	KR704RE	
功率	瓦特	600	710	
空載速度	/分	0-2800	0-2800	
反轉		是	是	
最大鑽孔效能				
- 木材/鋼材/磚石	公釐	20/13/13	20/13/13	
電源線長度	米	3	3	
重量	公斤	2.0	2.0	

## 設計用途

您的Black & Decker震動電鑽設計用於在木材、鋼材和磚石上鑽孔。本工具設計為家庭鑽孔使用。

### 一般安全規則



**警告！**請閱讀所有指示。不遵循下列的所有指示可能會導致觸電、火災及/或嚴重傷害。

請妥善保存所有的警告和操作手冊以備將來閱讀。下列所有警告中的名詞「電動工具」是指電源驅動(插電)電動工具, 或者電池驅動(充電)電動工具。

#### 1. 工作場地安全

- 保持工作場地清潔和明亮。混亂或黑暗的場地會引發事故。
- 不要在易爆環境, 如有易燃液體、氣體或塵埃的環境中操作電動工具。電動工具產生的火花會點燃塵埃或氣體。
- 請等待兒童和旁觀者離開之後才操縱電動工具。分心會導致您疏於控制。

#### 2. 電力安全

- 電動工具插頭必須與插座相符。切勿以任何方式改裝插頭。需接地的電動工具不能使用任何配接器插頭。未經改裝的插頭和相符的插座可以減少觸電危險。
- 避免人體接觸接地表面, 如管道、散熱片、爐竈和冰箱。若您的身體接地可增加觸電危險。
- 不得將電動工具暴露在雨中或潮濕環境中。水進入電動工具會增加觸電危險。
- 請勿濫用電線。切勿使用電線來搬運、拉動電動工具或拔出插頭。讓電線遠離熱、油、銳邊或活動部件。受損或纏繞的電線可增加觸電危險。

- 若要在戶外使用電動工具, 請使用適合戶外使用的延長電線。使用適合戶外使用的電線可減少觸電危險。
- 若必須在潮濕場合使用電動工具, 請使用漏電保護器(RCD)。使用RCD可降低觸電危險。

#### 3. 人身安全

- 保持警覺；在操作電動工具時, 請留意所執行的操作並按照一般的程式執行。切勿在疲倦, 或受到藥物、酒精或治療的影響下操作電動工具。操作電動工具期間注意力分散會導致嚴重人身傷害。
- 使用個人防護裝置。始終佩戴護目鏡。防護裝置, 例如在適當條件下可使用的防護面具、防滑安全鞋、安全帽或聽力保護等裝置可減少人身傷害。
- 避免意外啓動。連接電源及/或電池組、檢取或搬運電動工具之前, 請確定開關處於off (關閉) 位置。搬運電動工具時若將手指放在開關上, 或是在接通開關電源時插入插頭都會引發危險。
- 接通電動工具之前, 請卸下所有的調整鑰匙或扳手。遺留在電動工具旋轉零件上的扳手或要使用會導致人身傷害。
- 不要過度伸張雙手。時刻注意腳下和身體的平衡。如此即可在發生意外的情況下更好地控制電動工具。
- 適當穿著。不要穿寬鬆衣服或佩戴飾品。讓您的頭髮、衣服和手套遠離活動部件。寬鬆衣服、佩飾或長髮可能會捲入活動部件。
- 若配備用於連接排屑裝置、集塵設備的裝置, 請確定正確連接和使用這些裝置。使用集塵設備可減少與塵埃有關的危險。

#### 4. 電動工具的使用與注意事項

- 不要超負荷使用電動工具。根據您的用途使用適當的電動工具。使用電動工具在其設計可負荷的應用內, 會讓您更有效、更安全地執行工作。
- 若開關不能開啓或關閉電源, 請勿使用該電動工具。不能用開關來控制的電動工具將存在危險, 因此必須進行修理。
- 在執行任何調整、更換配件或儲存工具之前, 必須從電源上拔掉插頭及/或卸下電池組。這類防護性措施可降低電動工具意外啓動的風險。
- 將閒置的電動工具儲存在兒童無法接觸的地方, 並且不要讓不熟悉電動工具或對這些使用指示不瞭解的人員操作電動工具。電動工具在未經培訓的使用者手中會發生危險。
- 維護電動工具。檢查活動部件是否對準或卡住、破損情況以及是否存在影響電動工具運行的其他情況。若有損毀, 必須在使用之前修理電動工具。許多事故都是由於欠缺維護電動工具所導致。
- 保持刀具鋒利和清潔。妥善維護、切削鋒利的刀具不會輕易卡住並可更輕鬆控制。
- 遵循使用指示以及工作條件和所要執行的工作使用電動工具、配件和工具刀頭等。不按照設計目的使用電動工具會導致危險。

#### 5. 電池工具的使用與注意事項

- 只能使用製造廠商指定的充電器為電池充電。使用僅適合一種電池組的充電器為其他類型的電池



組充電會導致火災危險。

- b. 請使用原廠的電動工具電池組。使用其他非原廠的電池組會導致人身傷害和火災危險。
  - c. 不使用電池組時，請將其遠離如迴紋針、硬幣、鑰匙、釘子、螺絲以及其他可連通電池兩極的金屬物品。將電池兩極短路會導致灼傷或火災。
  - d. 濫用電池的情況下，液體會從電池中噴出；避免與液體接觸。若不小心接觸液體，請用清水沖洗。若液體噴濺到眼睛上，沖洗之後還要進行治療。從電池噴出的液體會刺激皮膚或造成灼傷。
6. 檢修
- a. 本電動工具必須由合格的維修人員並只採用相同的原廠零件來執行檢修。這將確保電動工具的安全性。

## 電動工具之附加安全警告



**警告！** 震動電鑽之附加安全警告

- 請在使用震動電鑽時佩戴聽力保護器。噪音會使聽力受損。
- 請使用電鑽隨附的輔助手柄。工具失控會導致人身傷害。
- 若在執行操作時切削配件可能會接觸隱藏的電線，請從絕緣手柄表面握住電動工具。若切削配件接觸到「帶電」導線，電動工具金屬部件表面就會「帶電」，從而導致操作人員觸電。
- 使用夾具或採取其他可行的方法，將工件固定、支撐到穩定的平台上。手持或用身體頂住工件都是不穩定的，並會導致操作失控。
- 在牆上鑽孔之前，請檢查電線和鋼管位置。
- 不要在鑽孔後立刻碰觸可能還帶熱的鑽頭尖端。
- 體力、感覺或智力不足，或者缺乏經驗及知識的人員（包括小孩）不適合使用本工具，除非負責他們安全的人員已經為他們提供關於使用此器具的監督或指示。必須監督小孩，確保他們沒有耍玩器具。
- 工具的設計用途在本說明書中描述。除了本說明書中所建議的之外，使用其他任何配件或附加裝置或任何操作的效能，可能會導致人身傷害及/或財產損害的危險。

## 電力安全



本工具採用雙重絕緣，因此無需接地線。請務必檢查電源電壓是否與銘牌一致。

## 功能部件

本工具包括以下部份或全部功能。

1. 變速開關
2. 鎖定按鈕
3. 正/反轉按鈕
4. 鑽孔模式選擇器
5. 夾頭

您的裝置可能沒有隨附以下配件

6. 深度尺
7. 輔助把手

## 裝配



**警告！** 裝配之前，請確定已關閉工具並拔出插頭。

安裝輔助把手和深度尺（圖A和B）

- 逆時針轉動手柄直到您可將輔助把手（7）滑動至工具正面為止，如圖所示（圖A）。
- 將輔助把手轉入所需位置。
- 將深度尺（6）插入安裝孔（圖B）。
- 按照以下所述安裝鑽孔深度。
- 透過順時針轉動手柄，將輔助把手轉緊。

安裝鑽頭（圖C）

- 透過順時針轉動套管（5）以打開夾頭。
- 將鑽頭軸（9）插入夾頭（不隨附鑽頭）。
- 將夾頭扳手（10）插入夾頭側邊的孔（8）中，然後順時針轉緊。

卸下及裝回夾頭（圖D）

- 儘可能用最快的速度打開夾頭。
- 使用螺絲起子以順時針方向移除夾頭內的固定螺釘。
- 將內六角起子轉緊到夾頭內，然後用榔頭輕敲，如圖所示。
- 取出內六角起子。逆時針轉動夾頭將它卸下。
- 若要裝回夾頭，可將它旋入心軸，然後用夾頭固定螺釘將它鎖緊。

## 使用



**警告！** 請勿使工具超出本身之設計速度。切勿使它過負載。



**警告！** 在牆上鑽孔之前，請檢閱電線和鋼管位置。

選擇旋轉方向（圖D）

若要鑽孔和轉緊螺釘，請使用向前（順時針）旋轉。若要轉鬆螺釘或取出卡住的鑽頭，請使用向後（逆時針）旋轉。

- 若要選擇向前旋轉，請將正/反轉開關（3）撥到左邊。
- 若要選擇向後旋轉，請將正反轉開關撥到右邊。  
警告！當電動機運行時，請勿變更旋轉方向。

選擇鑽孔模式

- 若要在磚石上鑽孔，將鑽孔模式選擇器（4）設定至 **↑** 位置。
- 若要在其他材料上鑽孔和執行螺旋操作，將鑽孔模式選擇器設定至 **↓** 位置。

設定鑽孔深度（圖B）

- 透過逆時針轉動手柄，將輔助把手（7）轉鬆。

- 將深度尺 (6) 設定至所需位置。最大鑽孔深度相等於鑽頭尖端和深度尺前末端之間的距離。
- 透過順時針轉動手柄，將輔助把手轉緊。

### 打開和關閉

- 若要打開工具電源，請按下變速開關(1)。工具轉速取決於您按下開關的程度。作為一般規則，在使用大直徑鑽頭時會採用低速，在使用小直徑鑽頭時則會採用高速。
- 若要執行持續操作，按下鎖定按鈕 (2) 並放開變速開關。此選項只在向前和向後模式中以全速運行時有效。
- 若要關閉工具電源，請放開變速開關。若要在持續操作時關閉工具電源，請再次按下變速開關然後放開。

### 維護

您的百得電動工具採用卓越的設計，能夠長時間使用，並且只需最少的維護。若要持續獲得滿意的操作效果，需要您進行正確的維護和定期的清潔。

**警告！** 在工具上執行任何維護工作之前，請卸下工具內的電池。清潔之前拔下充電器。

- 定期使用軟刷或幹布清潔工具內的通風槽。
- 定期使用濕布清潔電動機外殼。
- 請勿使用任何研磨性或基於溶劑的清潔劑。
- 定期打開夾頭並輕敲以去除內部的任何塵埃。

本工具不是使用者可檢修的裝置。若要進行檢修，請將它送往授權的工具總代理維修。

您的充電器除了定期清潔之外，並不需要執行任何維護操作。

### 重要說明

為了確保產品安全及可靠，所有的維修、維護和調整（除了本手冊中列出的之外），都應該由授權的檢修中心或合格機構執行，並始終使用相同的替換部件。本裝置內不含使用者可檢修的部件。

### 清潔

**警告！** 一旦通風口及其周圍積聚可見的塵埃，請立即使用乾燥的壓縮空氣吹掉主機外殼內的塵埃和灰塵。執行此步驟時，請佩戴經認可的護目裝備和認可的面罩。

**警告！** 切勿使用溶劑或其他刺激性化學品來清潔工具的非金屬部件。這些化學品可能削弱零件中使用的材料。只能使用抹布蘸中性肥皂水進行清潔。不要讓任何液體進入工具；不要讓工具的任何部分浸入液體中。

### 充電器清潔指示

**警告！** 觸電危險。清潔之前，從交流電插座上拔下充電器電纜。使用軟布或非金屬軟刷，去除充電器外部的污垢和油脂。請勿使用水或任何清潔劑。

### 配件

任何電動工具的效能都取決於所使用的配件。百得配件依據高品質標準進行規劃，並設計用於增強電動工具的效能。

百得在我們的當地代理商或授權的檢修中心備有廣泛的配件系列供選購。



**注意：** 使用任何不建議與本工具配合使用的其他配件會導致危險。

### 保護環境



個別收集。本產品必須與一般家庭廢物分開處置。

若您發現您的百得產品需要進行替換，或您已經不再需要使用這些產品，請不要將它們與家庭廢物一起處置。務必將本產品送往個別收集處。



個別收集用過的產品和包裝允許材料再迴圈利用。

重新使用迴圈利用的材料有助於防止環境污染，並減少原始材料的需求。如有需要，請聯絡您當地的自治市鎮局，瞭解您所在城市/市鎮的正確處置指示。

### 電池

百得電池可多次再充電。在電池使用壽命結束時，請妥善處置以保護我們的環境。

使電池完全放電，然後將它從工具中卸下。

鎳鎘和鎳氫電池。請將它們送往當地的回收站。

### 服務資訊

百得提供覆蓋整個亞洲的公司隸屬和授權服務地點。所有的百得服務中心都具有訓練有素的人員，為客戶提供高效和可靠的電動工具服務。不論您是需要技術建議、維修或原廠替換部件，請聯絡最靠近您的百得地點。

### 備註

- 百得的政策是持續改善我們的產品，因此，我們保留隨時變更產品規格的權利，恕不另行通知。
- 標準設備和配件可能會根據不同的國家而有所不同。
- 產品規格可能會根據不同的國家而有所不同。
- 並非所有的國家都有提供完整的產品系列。如需各產品系列的供應情況，請聯絡您當地的百得代理商。
- 使用說明書及一般安全說明書應隨工具提供，其所有文字應以工具之販售國官方語文寫出，使用說明書應包括製造商或該廠牌產品供應商之名稱及地址。

經銷商：特力股份有限公司

地址：台北市內湖區新湖三路23號1.2.5樓

電話：0800-552888

進口/委製廠商：新加坡商百得電動工具(股)公司台灣分公司

地址：台北市北投區裕民六路120號4樓

電話：02-2820-1065



# KR454RE/504RE/554RE/604RE/704RE 해머 드릴

## 기술 데이터


드릴		KR454RE	KR504RE	KR554RE
전력	W	450	500	550
무부하 속도	/min	0-2800	0-2800	0-2800
후진		예	예	예
최대 드릴 용량				
- 나무/금속/석재	mm	20/10/10	20/10/10	20/13/13
케이블 길이	m	2	2	3

드릴		KR604RE	KR704RE
전력	W	600	710
무부하 속도	/min	0-2800	0-2800
후진		예	예
최대 드릴 용량			
- 나무/금속/석재	mm	20/13/13	20/13/13
케이블 길이	m	3	3

## 용도

Black & Decker 해머 드릴은 나무, 금속 및 플라스틱과 석재 드릴용으로 설계되었습니다. 본 공구는 소비자용입니다.

## 일반 안전 규정

 **경고! 안전에 관한 모든 경고 및 지시 사항을 숙지하십시오.** 아래 설명한 모든 지시 사항을 따르지 않으면 감전, 화재 및/또는 심각한 부상을 초래할 수 있습니다.

**항후 참고할 수 있도록 모든 경고 및 지시 사항을 보관해두십시오.** 아래의 모든 경고에서 사용된 "전동 공구"라는 말은 주 공급 전원에 의해 전기 공급되는(코드 있음) 전동 공구 또는 충전식(코드 없음) 전동 공구를 의미합니다.

### 1. 작업 안전 영역

- 작업 영역을 청결하고 밝게 유지하십시오.**  
혼잡하거나 어두운 작업 영역에서는 사고가 발생하기 쉽습니다.
- 가연성 액체, 가스 또는 먼지 등 폭발성 분위기에서 전동 공구를 사용하지 마십시오.** 전동 공구에 먼지나 연기를 발사시킬 수 있는 불꽃이 될 수 있습니다.
- 전공 공구를 사용하는 동안에는 어린이와 주변 사람들이 작업 영역에 가까이 들어오지 못하도록 하십시오.** 주변이 산만해져 통제력을 잃을 수 있습니다.

### 2. 전기 안전

- 전동 공구의 플러그는 콘센트와 형식이 일치해야 합니다.** 플러그를 어떤 방식으로든 절대 개조하지 마십시오. 접지된(지면 접지) 전동 공구와 함께

어댑터 플러그도 사용하지 마십시오. 개조되지 않은 플러그 및 형식이 일치하는 콘센트를 사용하면 감전 위험이 줄어듭니다.

- 파이프, 라디에이터, 렌치 및 냉장고 등과 같이 접지된 표면에 몸이 닿지 않도록 하십시오.** 신체가 접지되어 있으면 감전 위험이 높아집니다.
  - 전동 공구를 비 또는 습한 환경에 노출하지 않도록 주의하십시오.** 전동 공구에 물이 들어가면 감전 위험이 높아집니다.
  - 코드를 함부로 다루지 마십시오. 코드를 사용하여 전동 공구를 운반하거나 잡아당기거나 플러그를 빼지 마십시오.** 열, 오일, 날카로운 모서리 또는 움직이는 부품에서 멀리 떨어진 장소에 코드를 보관하십시오. 코드가 손상되거나 뒤얽혀 있으면 감전 위험이 높아집니다.
  - 전동 공구를 실외에서 사용할 때는 실외 사용에 적합한 연장 코드를 사용하십시오.** 실외 사용에 적합한 코드를 사용하면 감전 위험이 줄어듭니다.
  - 어쩔 수 없이 습한 장소에서 전동 공구를 사용해야 하는 경우에는 누전 차단기(RCD)로 보호된 전원 공급 장치를 사용하십시오.** RCD를 사용하면 감전 위험이 줄어듭니다.
- 신체 안전**
    - 전동 공구로 작업할 때는 방심하지 말고 작업에 주의하면서 상식에 따르십시오.** 피곤한 상태이거나 약물, 술, 치료제를 복용한 상태에서는 전동 공구를 사용하지 마십시오. 전동 공구를 사용하는 중에 주의력을 잃어 순간적으로 부상을 당할 수 있습니다.
    - 신체 보호 장구를 착용하십시오.** 항상 보안경을 착용하십시오. 해당 상황에 사용되는 방진 마스크, 미끄럼 방지 안전화, 안전모 또는 청력 보호 기구 등의 보호 장비를 사용하면 신체 부상 위험이 줄어듭니다.
    - 의도하지 않은 장비 가동 방지. 전원 및/또는 배터리 팩에 연결한 상태로 공구를 선택 또는 운반할 때는 사전에 스위치가 꺼짐 위치에 있는지 반드시 확인하십시오.** 스위치가 켜짐 위치에 있는 상태에서 스위치가 손가락이 닿은 상태로 전동 공구를 운반하거나 전동 공구에 전원을 공급하면 사고가 발생할 수 있습니다.
    - 전동 공구를 켜기 전에 모든 조정 키 또는 렌치를 제거하십시오.** 전동 공구의 회전 부품에 렌치나 키가 부착되어 있으면 부상을 당할 수 있습니다.
    - 무리하게 팔을 뻗지 마십시오.** 항상 올바른 자세로 서서 균형을 유지하십시오. 그러면 예기치 않은 상황에서 전동 공구에 대한 제어력이 향상됩니다.
    - 적절한 의복을 착용합니다.** 헐렁한 옷이나 장신구를 착용하지 마십시오. 머리카락, 옷 및 장갑이 움직이는 부품에 닿지 않도록 유의하십시오. 헐렁한 옷, 장신구 또는 긴 머리가 움직이는 부품에 걸 수 있습니다.
    - 먼지 배출 및 집진 시설 연결을 위한 장치가 제공된 경우, 이를 장치가 연결되어 적절히 사용되고 있는지 반드시 확인하십시오.** 집진 장치를 사용하면 먼지와 관련된 위험을 줄일 수 있습니다.


#### 4. 전동 공구 사용 및 관리

- a. 전동 공구에 무리한 힘을 가하지 마십시오. 해당 용도에 맞는 올바른 전동 공구를 사용하십시오. 올바른 전동 공구를 사용하여 설계된 속도로 작업을 더욱 안전하고 정확하게 수행할 수 있습니다.
- b. 스위치로 켜지고 꺼지지 않는 전동 공구는 사용하지 마십시오. 스위치로 제어되지 않는 전동 공구는 위험하며 수리해야 합니다.
- c. 전동 공구를 조정하거나 액세서리를 변경하거나 보관하기 전에 전원 및/또는 배터리 팩에서 플러그를 빼십시오. 이러한 예방적 안전 조치를 따라야 전동 공구가 갑자기 작동할 위험이 줄어듭니다.
- d. 사용하지 않는 전동 공구는 어린이의 손이 닿지 않는 곳에 보관하고, 전동 공구나 본 지시 사항에 익숙하지 않은 사람이 전동 공구를 절대 사용하지 못하게 하십시오. 전동 공구는 훈련을 받지 않은 사용자가 다루면 위험합니다.
- e. 전동 공구 유지 보수. 움직이는 부품의 잘못된 정렬이나 바인딩, 부품 파손 및 기타 전동 공구의 작동에 영향을 미칠 수 있는 상태가 있는지 확인하십시오. 손상된 부분이 있는 경우 사용하기 전에 전동 공구를 수리하십시오. 많은 사고는 전동 공구를 제대로 유지 보수하지 않아 발생합니다.
- f. 절삭 공구를 예리하고 깨끗한 상태로 유지하십시오. 유지 보수를 올바르게 수행하여 절삭 가장자리가 예리한 절삭 공구를 사용하면 바인딩이 적고 다루기가 용이합니다.
- g. 작업 환경과 수행할 작업을 고려하여, 본 지시 사항에 따라 전동 공구, 액세서리 및 비트 등을 사용하십시오. 본 사용 설명서의 내용과 다른 용도로 전동 공구를 사용하면 위험한 상황이 발생할 수 있습니다.

#### 5. 수리


- a. 자격을 갖춘 기술자가 동일 교체 부품을 사용하여 정비 작업을 수행해야 합니다. 그래야 전동 공구의 안전이 보장됩니다.

### 전동 공구에 관한 추가 안전 경고

-  **경고!** 임팩트 드릴에 대한 추가 안전 경고.
- 임팩트 드릴이 장착된 귀 보호 장구를 착용하십시오. 소음에 노출되면 청력이 손상될 수 있습니다.
  - 공구와 함께 제공되는 보조 핸들을 사용하십시오. 제어력을 잃으면 신체 부상을 당할 수 있습니다.
  - 절삭 액세서리가 숨겨진 배선에 접촉할 수 있는 작업을 수행할 때는 절연된 그림팡 표면이 닿도록 하여 전동 공구를 잡으십시오. "전류가 흐르는" 전선에 접촉된 절삭 액세서리는 전동 공구의 노출된 금속 부품을 "전류가 흐르는" 상태로 만들어 작업자를 감전시킬 수 있습니다.
  - 클램프 또는 다른 적절한 방식을 이용하여 안정된 작업대에 작업 공구들을 고정 및 지지하십시오. 작업물을 손으로 잡거나 몸으로 지탱하는 행동은 불안정하여 제어력을 잃을 수 있습니다.

- 벽, 바닥 또는 천장에 드릴 작업을 하기 전에 배선 및 파이프의 위치를 확인하십시오.
- 드릴 작업을 한 후에는 드릴 끝이 뜨거울 수 있으므로 만지지 마십시오.
- 이 공구는 신체, 지각 또는 정신 능력이 낮거나 경험 및 지식이 부족한 사람(어린이 포함)이 사용하도록 설계되지 않았습니다. 이러한 사람이 사용할 때는 안전 책임자의 감독 또는 제품 사용과 관련된 지시 사항이 필요합니다. 어린이가 본 제품을 가지고 놀지 못하도록 항상 주시해야 합니다.
- 본 사용 설명서에 제품의 용도가 설명되어 있습니다. 본 사용 설명서에서 권장하는 방식 이외의 다른 방식으로 본 공구를 조작하거나 액세서리 또는 부속물을 사용하는 경우 신체 부상의 위험이 있거나 재산상의 손해가 발생할 수 있습니다.

### 전기 안전


-  본 공구는 이중으로 절연되어 있으므로 접지가 필요 없습니다. 전원이 명판에 표시된 전압과 일치하는지 항상 확인하십시오.

### 각부 명칭

본 공구에는 다음과 같은 각 부품의 일부 또는 전부가 포함되어 있습니다.

1. 가변 속도 스위치
  2. 잠금 버튼
  3. 전진/후진 버튼
  4. 드릴 작업 모드 선택기
  5. 척
- 다음 액세서리는 기기와 함께 사용하지 못할 수도 있습니다.
6. 깊이 조절봉
  7. 사이드 핸들

### 조립

-  **경고!** 조립하기 전에 공구 전원 스위치가 꺼져 있고 플러그가 빠져 있는지 확인하십시오.

#### 사이드 핸들 및 깊이 제한 장착(그림 A, B)

- 그림과 같이 사이드 핸들이 공구 앞쪽으로 미끄러질 수 있을 때까지 그림 카운터를 시계 방향으로 돌립니다(그림 A).
- 사이드 핸들을 원하는 위치로 돌립니다.
- 그림과 같이 깊이 조절봉(6)을 장착 구멍에 끼웁니다(그림 B).
- 아래에 설명한 대로 드릴 깊이를 정합니다.
- 그림을 시계 방향으로 돌려서 사이드 핸들을 조입니다.

#### 드릴 비트 장착(그림 C)

- 슬리브(5) 카운터를 시계 방향으로 돌려서 척을 엽니다.
- 비트 샤프트(9)를 척에 끼웁니다(드릴 비트는 포함되지 않음).

- 척 키(10)를 척 측면에 있는 각 구멍(8)에 끼우고 조여질 때까지 시계 방향으로 돌립니다.

### 척 분리 및 다시 장착(그림 D)

- 척을 최대한 엽니다.
- 드라이버로 척에 있는 척 고정 나사를 시계 방향으로 돌려서 분리합니다.
- 앨런 키를 척에 조이고 그림과 같이 망치로 칩니다.
- 앨런 키를 분리합니다. 척을 시계 반대 방향으로 돌려서 분리합니다.
- 척을 다시 장착하려면 스프링들에 나사를 조이고 척 고정 나사로 고정합니다.

## 사용법



**경고!** 공구를 정상 속도로 가동하십시오. 과부하가 발생하면 안 됩니다.



**경고!** 벽, 바닥 또는 천장에 드릴 작업을 하기 전에 배선 및 파이프의 위치를 확인하십시오.

### 회전 방향 선택(그림 E)

드릴 작업을 하고 나사를 조이려면 전진(시계 방향) 회전을 사용하십시오. 나사를 풀거나 딱 끼인 드릴 비트를 분리하려면 후진(시계 반대 방향) 회전을 사용하십시오.

- 전진 회전을 선택하려면 전진/후진 버튼(3)을 왼쪽 위치로 누릅니다.
- 후진 회전을 선택하려면 전진/후진 버튼을 오른쪽으로 누릅니다. 경고! 모터가 가동 중일 때는 회전 방향을 바꾸지 마십시오.

### 드릴 작업 모드 선택

- 석재 드릴 작업을 위해서는, 드릴 작업 모드 선택기(4)를 **T** 위치로 설정합니다.
- 기타 물질에 드릴 작업을 하거나 나사를 조일 때는 드릴 작업 모드 선택기를 **1** 위치로 설정합니다.

### 드릴 깊이 설정(그림 B)

- 그림 카운터를 시계 방향으로 돌려서 사이드 핸들(7)을 푼니다.
- 깊이 조절봉(6)을 원하는 위치로 설정합니다. 최대 드릴 깊이는 드릴 비트 끝과 깊이 제한 앞쪽 간의 거리와 같습니다.
- 그림을 시계 방향으로 돌려서 사이드 핸들을 조입니다.

### 스위치 켜짐/꺼짐

- 공구 스위치를 켜려면 가변 속도 스위치(1)를 누릅니다. 공구 속도는 스위치를 누르는 속도에 따라 다릅니다. 일반적으로, 대형 직경 구멍 드릴 비트의 경우 저속을 사용하고 소형 직경의 드릴 비트에는 고속을 사용합니다.
- 연속 작동 시 잠금 버튼(2)을 누르고 가변 속도 스위치를 놓습니다. 이 옵션은 전진 및 후진 모드 모두에서 최대 속도일때만 사용할 수 있습니다.

- 공구 스위치를 끄려면 가변 속도 스위치를 놓습니다. 연속 작동 시 공구의 스위치를 끄려면 가변 속도 스위치를 다시 눌렀다가 놓습니다.

## 유지 보수

Black & Decker 전동 공구는 최소한의 유지 보수로 장기간에 걸쳐 작업이 가능하도록 설계되어 있습니다. 오랜 시간 만족스러운 성능으로 공구를 사용하려면 적합한 공구 관리와 정기적인 청소가 중요합니다.

## 중요

제품 안전과 신뢰성을 보장하기 위해 수리, 유지 보수 및 조정 작업(본 사용 설명서에서 다루지 않은 작업)은 공인 서비스 센터 또는 자격을 갖춘 다른 수리점에서 항상 동일한 교체 부품을 사용하여 수행해야 합니다. 본 기기 내부에는 사용자가 수리할 수 있는 부품이 없습니다.

## 청소



**경고!** 통풍구 속이나 주변에 먼지가 쌓여있는 것이 보이면 가능한 한 자주 건조한 공기를 이용하여 몸체에서 먼지를 불어내십시오. 이 절차를 수행할 때에는 승인된 보안경 및 승인된 방진 마스크를 착용하십시오.



**경고!** 공구의 금속 이외의 부품을 청소할 때는 용제 등의 강력한 화학약품을 절대 사용하지 마십시오. 그렇지 않으면 이러한 부분에 사용된 재료가 약해질 수 있습니다. 형광에 물과 순한 비누를 적셔 닦아주십시오. 공구 내부에 액체를 넣거나 공구 부품을 액체에 담그는 행동은 절대 금물입니다.

## 액세서리

전동 공구의 성능은 사용한 액세서리에 따라 결정됩니다. Black & Decker 액세서리는 높은 품질 기준을 만족하도록 제조되었으며, 전동 공구의 성능을 향상시키도록 설계되었습니다. 이러한 액세서리를 사용함으로써 공구의 기능을 최대한 활용할 수 있습니다. Black & Decker에서 제공하는 다양한 액세서리는 해당 지역에 있는 판매점이나 공인 서비스 센터를 통해 구입할 수 있습니다.



**주의!** 본 공구와 함께 사용하도록 권장되지 않는 다른 액세서리를 사용할 경우 위험할 수 있습니다.

## 환경 보호



분리 수거. 본 제품을 일반 가정용 쓰레기로 처리하면 안됩니다. Black & Decker 제품을 교체해야 하거나 더 이상 쓸모가 없어졌다고 판단되면 본 제품을 가정용 쓰레기로 처리하지 마십시오. 이 제품은 분리 수거하십시오.



사용하던 제품과 포장물 분리 수거하면 자원을 재활용 및 재사용할 수 있습니다. 재활용 자원을 이용하면 환경 오염이 방지되고 고철 자원에 대한 수요를 줄일 수 있습니다. 필요에 따라, 거주하는 지역의 올바른 처리 지침은 관할 당국에 문의하십시오.

## 서비스 정보

Black & Decker는 아시아 전역에 영업소를 자체 운영하거나 공인 서비스 센터를 두고 있습니다. 모든 Black & Decker 서비스 센터에는 교육을 이수한 전문 직원이 배치되어 있어 고객에게 효과적이고 믿을 수 있는 전동 공구 서비스를 제공하고 있습니다. 기술 지원, 수리 또는 순정 교체 부품이 필요한 모든 경우에 가까운 Black & Decker로 연락하십시오.

## 참고사항

- Black & Decker는 제품을 지속적으로 개선시키기 때문에 사전 통지 없이 제품 사양이 변경될 수 있습니다.
- 기본 장비 및 액세서리 구성은 국가에 따라 다를 수 있습니다.
- 제품 사양은 국가에 따라 다를 수 있습니다.
- 국가에 따라 판매하지 않는 제품도 있을 수 있습니다. 제품 판매 여부는 해당 지역에 있는 Black & Decker 판매점으로 문의하십시오.

## KR454RE/504RE/554RE/604RE/704RE สว่านเจาะคอนกรีต

### ข้อมูลทางด้านเทคนิค

สว่าน		KR454RE	KR504RE	KR554RE
กำลังไฟ	วัตต์	450	500	550
ความเร็วขณะไม่มีภาระโหลด	/นาที	0-2800	0-2800	0-2800
หมุนย้อนกลับ		ได้	ได้	ได้
ความสามารถในการเจาะสูงสุด				
- ไม้/เหล็ก/ปูน	มม.	20/10/10	20/10/10	20/13/13
ความยาวของสายไฟ	ม.	2	2	3

สว่าน		KR604RE	KR704RE
กำลังไฟ	วัตต์	600	710
ความเร็วขณะไม่มีภาระโหลด	/นาที	0-2800	0-2800
หมุนย้อนกลับ		ได้	ได้
ความสามารถในการเจาะสูงสุด			
- ไม้/เหล็ก/ปูน	มม.	20/13/13	20/13/13
ความยาวของสายไฟ	ม.	3	3

### วัตถุประสงค์ในการใช้งาน

สว่านเจาะคอนกรีต Black & Decker ได้รับการออกแบบมาสำหรับการเจาะไม้ โลหะ พลาสติก และปูน เครื่องมือนีมีวัตถุประสงค์สำหรับการใช้งานเฉพาะผู้บริโภคเท่านั้น

### กฎความปลอดภัยทั่วไป



**คำเตือน!** อ่านคำเตือนและคำแนะนำด้านความปลอดภัยทั้งหมด การไม่ปฏิบัติตามคำแนะนำทั้งหมดที่แสดงไว้ข้างล่าง อาจทำให้ถูกไฟดูด เกิดเพลิงไหม้ และ/หรือบาดเจ็บสาหัสได้

จัดเก็บเอกสารคำเตือนและคำแนะนำทั้งหมดไว้เพื่อการอ้างอิงในภายหลัง คำว่า “เครื่องมือไฟฟ้า” ในคำเตือนทั้งหมดที่แสดงไว้ข้างล่าง หมายถึงเครื่องมือไฟฟ้าที่ทำงานผ่านสายเมน (มีสาย) หรือแบตเตอรี่ (ไม่มีสาย)

#### 1. ความปลอดภัยในบริเวณที่ทำงาน

- รักษาความปลอดภัยและจัดให้มีแสงสว่างเพียงพอในบริเวณที่ทำงาน บริเวณที่คับแคบหรือมืดทำให้เกิดอุบัติเหตุได้
- ห้ามใช้เครื่องมือไฟฟ้าในบริเวณที่อาจเกิดการระเบิด เช่น เมื่อมีของเหลวไวไฟ แก๊ส หรือ ผุ่นละออง เครื่องมือไฟฟ้าจะทำให้เกิดประกายไฟที่อาจทำให้เกิดผุ่นหรือเปลวไฟ
- ระวังไม่ให้เด็กเล็กและคนเดินผ่านไปมาเข้าใกล้ในขณะที่ใช้งานเครื่องมือไฟฟ้า สิ่งรบกวนอาจทำให้คุณเสียสมาธิได้

#### 2. ความปลอดภัยที่เกี่ยวข้องกับไฟฟ้า

- ปลั๊กไฟของเครื่องต้องเป็นชนิดเดียวกับเต้ารับ ห้ามดัดแปลงปลั๊กไม่ว่าจะด้วยวิธีใด ห้ามใช้ตัวแปลงกับเครื่องมือไฟฟ้าที่ต่อสายดิน ปลั๊กที่ไม่มีการดัดแปลงและเต้ารับชนิดเดียวกันจะช่วยลดความเสี่ยงจากไฟฟ้ดูด

- หลีกเลี่ยงการสัมผัสพื้นผิวที่ต่อสายดิน เช่น ท่อ หม้อน้ำ เตาหุงต้ม และตู้เย็น มีความเสี่ยงเพิ่มขึ้นที่จะถูกไฟดูด หากร่างกายเป็นสื่อเชื่อมต่อกับสายดิน
- อย่าให้เครื่องมือไฟฟ้าถูกฝนหรือเปียกน้ำ น้ำที่เข้าเครื่องมือไฟฟ้าจะทำให้ความเสี่ยงในการถูกไฟดูดเพิ่มขึ้น
- ระวังอย่าให้สายไฟชำรุด ห้ามใช้สายไฟเพื่อหิ้ว ดึง หรือ ถอดปลั๊กเครื่องมือไฟฟ้า เก็บสายไฟให้พ้นจากความร้อน น้ำมัน ขอมมคม หรือชิ้นส่วนอุปกรณ์ที่กำลังเคลื่อนที่ สายไฟที่ชำรุดหรือพันกันเป็นการเพิ่มความเสี่ยงจากไฟดูด
- เมื่อใช้เครื่องมือไฟฟ้ากลางแจ้ง ให้ใช้สายพ่วงที่เหมาะสมสำหรับการใช้งานกลางแจ้ง ใช้สายไฟที่เหมาะสมสำหรับการใช้งานกลางแจ้งเพื่อลดความเสี่ยงที่จะเกิดไฟดูด
- หากไม่สามารถหลีกเลี่ยงการใช้เครื่องมือไฟฟ้าในบริเวณที่ชื้นแฉะได้ ให้ใช้อุปกรณ์ป้องกันไฟฟ้าสะสม (RCD) ที่จัดให้ ใช้ RCD เพื่อลดความเสี่ยงจากการเกิดไฟดูด

#### 3. ความปลอดภัยส่วนบุคคล

- ตื่นตัวและมีสมาธิกับสิ่งที่คุณกำลังทำ และตัดสินใจด้วยสามัญสำนึกขณะใช้เครื่องมือไฟฟ้า ห้ามใช้เครื่องมือไฟฟ้าในขณะที่คุณกำลังเหนื่อยล้าหรืออยู่ใต้อิทธิพลของยา แอลกอฮอล์หรือการรักษาบางอย่าง การขาดความระมัดระวังในการใช้เครื่องมือไฟฟ้าแม้ว่าขณะหนึ่งอาจทำให้บาดเจ็บสาหัสได้
- ใช้อุปกรณ์ป้องกันส่วนบุคคล สวมอุปกรณ์ป้องกันตาเสมอ อุปกรณ์ป้องกัน เช่น หนังกากันฝุ่น รองเท้ากันภัยกันสั่น หมวกกันน็อก หรืออุปกรณ์ป้องกันเสียงดังตามสภาพที่เหมาะสมจะช่วยลดอาการบาดเจ็บส่วนบุคคล
- ป้องกันการสแตร์เครื่องโดยไม่ตั้งใจ สวิตช์ต้องอยู่ในตำแหน่งปิดก่อนเสียบปลั๊กของเครื่องเข้ากับแหล่งจ่ายไฟ และ/หรือแบตเตอรี่ ยกหรือหิ้วเครื่องมือ การยกเครื่องมือไฟฟ้าในขณะที่นิ้วอยู่ที่สวิตช์ หรือใช้เครื่องมือไฟฟ้าที่สวิตช์เปิดอยู่ อาจทำให้เกิดอุบัติเหตุได้
- ถอดกุญแจปรับแต่งหรือประแจออกก่อนเปิดสวิตช์ เครื่องมือไฟฟ้า ประแจหรือกุญแจที่เสียบคาไว้กับชิ้นส่วนที่กำลังหมุนของเครื่องมือไฟฟ้าอาจทำให้ได้รับบาดเจ็บได้
- ห้ามยืนเขย่งขณะใช้เครื่อง ยืนในท่าที่เหมาะสมและสมดุลตลอดเวลา เพื่อช่วยในการควบคุมเครื่องมือไฟฟ้า ได้ดียิ่งขึ้นในสถานการณ์ที่ไม่คาดคิด
- แต่งกายให้เหมาะสม ห้ามสวมเสื้อผ้าหลวมหรือใส่เครื่องประดับ รวบผม ชายเสื้อ และถุงมือให้ห่างจากชิ้นส่วนที่กำลังหมุน เสื้อผ้าที่หลวมหลวม เครื่องประดับหรือผมที่ยาวอาจเข้าไปพันกับชิ้นส่วนที่กำลังหมุน
- หากมีอุปกรณ์สำหรับเก็บฝุ่นและรวบรวมเศษไม้ ต้องเชื่อมต่ออุปกรณ์เหล่านั้นและนำมาใช้งานอย่างเหมาะสม การใช้อุปกรณ์เก็บฝุ่นจะช่วยลดอันตรายที่เกี่ยวข้องกับฝุ่นได้

4. การใช้และการดูแลรักษาเครื่องมือไฟฟ้า
- ก) ห้ามฝนใช้เครื่องมือไฟฟ้า เลือกใช้เครื่องมือไฟฟ้าที่ถูกต้องตรงกับลักษณะการใช้งานของคุณ เครื่องมือไฟฟ้าที่ถูกต้องย่อมทำงานได้ดีกว่าและปลอดภัยกว่าเมื่อใช้ในอัตราที่เครื่องมือได้รับการออกแบบมา
- ข) ห้ามใช้เครื่องมือไฟฟ้าถ้าสวิตช์เปิดปิดเครื่องไม่ทำงาน เครื่องมือไฟฟ้าที่ไม่สามารถควบคุมผ่านสวิตช์ได้จัดว่าเป็นอันตรายและต้องส่งซ่อม
- ค) ถอดปลั๊กของเครื่องมือไฟฟ้าออกจากแหล่งจ่ายไฟ และ/หรือ แบตเตอรี่ก่อนทำการปรับแต่ง เปลี่ยนอนุปรกรณ์เสริม หรือตัดเก็บเครื่องมือ มาตรการเพื่อความปลอดภัยภัยเชิง การป้องกันนี้จะช่วยลดความเสี่ยงในการแผลเปิดเครื่อง โดยไม่ได้ตั้งใจ
- ง) เก็บเครื่องมือไฟฟ้าที่พร้อมใช้งานไว้ให้พ้นมือเด็ก และ/หรือ อนุญาตให้บุคคลที่ไม่คุ้นเคยกับเครื่องมือไฟฟ้าหรือคำแนะนำเหล่านี้เป็นผู้ใช้เครื่องมือ เครื่องมือไฟฟ้าจะเป็นอันตรายหากอยู่ในมือผู้ใช้ที่ไม่มีความชำนาญ
- จ) บำรุงรักษาเครื่องมือไฟฟ้า ตรวจสอบชิ้นส่วนที่เคลื่อนที่ ดูการวางตำแหน่งหรือการต่อที่ไม่ถูกต้อง ชิ้นส่วนที่แตก เสียหาย และสภาพอื่นๆ ที่อาจส่งผลกระทบต่อการทำงานของเครื่องมือไฟฟ้า หากชำรุดเสียหาย ต้องซ่อมเครื่องมือนั้นก่อนนำมาใช้ อุบัติเหตุมากมายเกิดจากเครื่องมือไฟฟ้าที่ดูแลรักษาไม่ดีพอ
- ฉ) เครื่องมือตัดต้องคมและสะอาดอยู่เสมอ เครื่องมือตัดที่ผ่านการดูแลรักษาที่เหมาะสมและมีขอบสำหรับงานตัดที่คม จะไม่คดงอปัญหาและควบคุมได้ง่าย
- ช) ใช้เครื่องมือไฟฟ้า อุปกรณ์เสริมและชุดอุปกรณ์ต่างๆ ให้สอดคล้องกับคำแนะนำเหล่านี้ โดยพิจารณาถึงสภาพการทำงานและงานที่ทำให้เป็นสำคัญ การใช้เครื่องมือไฟฟ้าทำงานอื่นนอกเหนือจากที่กำหนดไว้อาจทำให้เกิดอันตรายได้
5. การบริการ
- ก) ให้ช่างซ่อมที่มีความเชี่ยวชาญเป็นผู้ซ่อมเครื่องมือ และใช้อะไหล่ของแท้เท่านั้น ซึ่งจะช่วยรับประกันได้ว่าเครื่องมือไฟฟ้ายังมีความปลอดภัยอยู่

## คำเตือนเพิ่มเติมด้านความปลอดภัยเฉพาะสำหรับเครื่องมือไฟฟ้า

 คำเตือน! คำเตือนเพิ่มเติมด้านความปลอดภัยสำหรับ ส่วนเจาะกระแทก

- สวมอุปกรณ์ป้องกันหูขณะใช้ส่วนเจาะกระแทก การอยู่กับเสียงดังมาก อาจทำให้ สูญเสียความสามารถในการได้ยิน
- ใช้มือจับเสริมที่ให้มาพร้อมกับเครื่อง การสูญเสียการควบคุมเครื่องอาจทำให้ได้รับบาดเจ็บได้
- จับเครื่องมือไฟฟ้าเฉพาะพื้นผิวส่วนที่ใช้จับซึ่งมีฉนวนป้องกันอยู่ในขณะใช้งานเครื่อง เนื่องจากอุปกรณ์สำหรับตัดอาจไปโดนสายไฟที่ซ่อนอยู่ หากอุปกรณ์สำหรับตัดสัมผัสถูกสายไฟที่มี “กระแสไฟผ่าน” อาจทำให้

ให้ชิ้นส่วนโลหะของเครื่องมือไฟฟ้าที่อยู่นอกฉนวนได้รับ “กระแสไฟผ่าน” และทำให้ผู้ใช้ถูกไฟดูดได้

- ใช้ตัวจับขั้วงานหรือวิธีอื่นๆ ที่ได้ผลเพื่อยึดและรองชิ้นงานบนแท่นที่มั่นคง การใช้มือจับหรือให้ชิ้นงานพียงกับลำตัวจะไม่มั่นคงและอาจทำให้สูญเสียการควบคุมได้
- ก่อนทำการเจาะผนัง พื้น หรือเพดาน ให้ตรวจหาตำแหน่งของสายไฟและท่อน้ำให้แน่ชัดเสียก่อน
- หลีกเลี่ยงการสัมผัสที่ปลายดอกสว่านในพื้นที่หลังการเจาะ เพราะดอกสว่านยังร้อนอยู่
- เครื่องมือนี้ไม่เหมาะกับบุคคล (รวมถึงเด็ก) ต่อไปนี้ ผู้ที่มีความบกพร่องทางร่างกาย บกพร่องทางการรับรู้ความรู้สึก บกพร่องทางจิตประสาท หรือผู้ที่ไม่มีประสบการณ์และขาดความรู้ เว้นแต่จะอยู่ภายใต้การดูแลหรือได้รับคำแนะนำเกี่ยวกับการใช้เครื่องมือโดยผู้ที่รับผิดชอบด้านความปลอดภัยของบุคคลเหล่านั้น เด็กควรได้รับการดูแลเพื่อให้แน่ใจว่าเด็กจะไม่เล่นเครื่องมือ
- วัตถุประสงค์ในการใช้งานได้อธิบายไว้ในคู่มือการใช้งานนี้แล้ว การใช้อุปกรณ์เสริมหรือเครื่องประกอบที่มาพร้อมกันหรือการใช้งานอื่นใดกับเครื่องมือนี้ นอกจากที่แนะนำไว้ในคู่มือการใช้งานนี้ อาจทำให้เสียต่อการบาดเจ็บ และ/หรือ ความเสียหายต่อทรัพย์สิน

## ความปลอดภัยทางไฟฟ้า

- เครื่องมือนี้มีฉนวนสองชั้น ดังนั้นจึงไม่จำเป็นต้องต่อสายดิน หมั่นตรวจสอบกำลังไฟเพื่อให้ตรงกับแรงดันไฟฟ้าบนแผ่นแสดงพิกัด

## คุณสมบัติ

เครื่องมือนี้ครอบคลุมคุณสมบัติบางส่วนหรือทั้งหมดดังนี้

- สวิตช์ปรับระดับความเร็ว
  - ปุ่มล็อค
  - ปุ่มเดินหน้า/ถอยหลัง
  - ตัวเลือกโหมดการเจาะ
  - ตัวจับดอกสว่าน
- เครื่องมือของคุณอาจไม่มีอุปกรณ์เสริมดังต่อไปนี้
- ตัวกันระยะการเจาะ
  - มือจับเสริมด้านข้าง

## วิธีการประกอบ

 คำเตือน! ก่อนการประกอบเครื่อง โปรดดูให้แน่ใจว่าได้ปิดสวิตช์เครื่องมือและถอดปลั๊กออกแล้ว

การติดตั้งมือจับเสริมด้านข้างและตัวกันระยะการเจาะ (ภาพ A, B)

- หมุนตัวจับขั้วงานขึ้นมาพิจารณากระแทกสามารถเลื่อนมือจับเสริมด้านข้าง (7) เข้าที่ด้านหน้าของเครื่องมือได้ ดังแสดงในภาพ (ภาพ A)
- หมุนมือจับเสริมด้านข้างเข้าในตำแหน่งที่ต้องการ
- สอดก้านตัวกันระยะการเจาะ (6) เข้าไปในรูสำหรับยึดก้าน ดังที่แสดงในภาพ (ภาพ B)
- ปรับตั้งระยะความลึกของการเจาะตามรายละเอียดด้านล่าง
- ขันมือจับเสริมด้านข้างให้แน่นโดยหมุนที่ด้ามในทิศทางตามเข็มนาฬิกา

### การใส่ดอกสว่าน (ภาพ C)

- เปิดตัวจับดอกสว่านโดยหมุนปลดก (5) ทวนเข็มนาฬิกา
- สอดก้านดอกสว่าน (9) เข้าไปในตัวจับดอกสว่าน (ที่ไม่ม่ดอกสว่านอยู่)
- เสียบกุญแจขันตัวจับดอกสว่าน (10) เข้าในช่อง (8) ที่อยู่ด้านข้างของตัวจับดอกสว่าน แล้วหมุนตามเข็มนาฬิกา จนกระทั่งยึดดอกสว่านแน่นดีแล้ว

### การถอดและการใส่ตัวจับดอกสว่าน (ภาพ D)

- เปิดตัวจับดอกสว่านออกให้กว้างที่สุดเท่าที่จะเป็นไปได้
- ถอดสกรูยึดตัวจับดอกสว่านออก (อยู่ในตัวจับดอกสว่าน) โดยใช้ไขควงหมุนตามเข็มนาฬิกา
- ขันยึดประแจ Allen เข้ากับตัวจับดอกสว่านให้แน่น แล้วใช้ค้อนเคาะตามภาพ
- ถอดประแจ Allen ออก ถอดตัวจับดอกสว่านโดยหมุนทวนเข็มนาฬิกา
- หากต้องการใส่ตัวจับดอกสว่านกลับเข้าไปอีกครั้ง ให้ขันสกรูตัวจับดอกสว่านลงบนแกนหมุน แล้วยึดให้แน่นด้วยสกรูยึดตัวจับดอกสว่าน

### การใช้งาน



**คำเตือน!** ให้เครื่องมือทำงานตามปกติ อย่าใช้งานเกินขีดความสามารถของเครื่อง



**คำเตือน!** ก่อนทำการเจาะผนัง พื้น หรือเพดาน ให้ตรวจหาตำแหน่งของสายไฟและท่อน้ำให้แน่ชัดเสียก่อน

### การเลือกทิศทางการหมุน (ภาพ E)

สำหรับการเจาะและการขันสกรู ให้ใช้การหมุนไปข้างหน้า (ตามเข็มนาฬิกา) สำหรับการคลายสกรูหรือถอดดอกสว่านที่ติดขัด ให้ใช้การหมุนย้อนกลับ (ทวนเข็มนาฬิกา)

- หากต้องการเลือกการหมุนไปข้างหน้า ให้ดันปุ่มเดินหน้า/ถอยหลัง (3) ไปที่ตำแหน่งซ้าย
- หากต้องการเลือกการหมุนย้อนกลับ ให้ดันปุ่มเดินหน้า/ถอยหลัง ไปทางขวา คำเตือน!  
ห้ามเปลี่ยนแปลงทิศทางการหมุนขณะมอเตอร์กำลังทำงาน

### การเลือกโหมดการเจาะ

- สำหรับการเจาะปูน ให้ตั้งตัวเลือกโหมดการเจาะ (4) ไปที่ตำแหน่ง **T**
- สำหรับการเจาะวัสดุชนิดอื่นและการขันสกรู ให้ตั้งตัวเลือกโหมดการเจาะไปที่ตำแหน่ง **2**

### การปรับตั้งความลึกของการเจาะ (ภาพ B)

- คลายมือจับเสริมด้านข้าง (7) โดยหมุนที่ด้ามในทิศทางทวนเข็มนาฬิกา
- ปรับตั้งตัวกั้นระยะการเจาะ (6) จนกระทั่งได้ตำแหน่งที่ต้องการ ความลึกของการเจาะสูงสุดจะเท่ากับระยะห่างระหว่างปลายดอกสว่านกับส่วนปลายสุดของตัวกั้นระยะการเจาะ
- ขันมือจับเสริมด้านข้างให้แน่นโดยหมุนที่ด้ามในทิศทางตามเข็มนาฬิกา

### การเปิดและปิดสวิตซ์

- กดสวิตซ์ปรับระดับความเร็ว (1) เพื่อเปิดเครื่อง ความเร็วของเครื่องมือขึ้นอยู่กับระดับการกดเข้าของสวิตซ์ โดยปกติจะใช้ความเร็วต่ำสำหรับดอกสว่านที่มีเส้นผ่าศูนย์กลางขนาดใหญ่ และใช้ความเร็วสูงสำหรับดอกสว่านที่มีเส้นผ่าศูนย์กลางขนาดเล็ก
- หากต้องการใช้งานอย่างต่อเนื่อง ให้กดปุ่มล็อค (2) และปล่อยสวิตซ์ปรับระดับความเร็ว (1) ตัวเลือกนี้สามารถทำได้เฉพาะกรณีที่ใช้ความเร็วเต็มทั้งในโหมดหมุนไปข้างหน้าและหมุนย้อนกลับ
- ปล่อยสวิตซ์ปรับระดับความเร็ว (1) เพื่อปิดเครื่อง หากต้องการปิดสวิตซ์เครื่องมือในขณะที่เครื่องยังทำงานอยู่ ให้กดสวิตซ์ปรับระดับความเร็วอีกครั้งแล้วปล่อย

### การบำรุงรักษา

เครื่องมือไฟฟ้า Black & Decker ออกแบบมาให้สามารถใช้งานได้ยาวนานต่อเนื่อง โดยที่มีการบำรุงรักษาให้น้อยที่สุด การทำงานที่สร้างความพึงพอใจอย่างต่อเนื่องขึ้นอยู่กับ การดูแลรักษาที่เหมาะสมและการทำความสะอาดอย่างสม่ำเสมอ

### ข้อควรระวัง

เพื่อความมั่นใจในความปลอดภัยและความน่าเชื่อถือ ควรให้ศูนย์บริการที่ได้รับอนุญาตหรือองค์กรอื่นที่ผ่านเกณฑ์ เป็นผู้ดำเนินการซ่อม บำรุงรักษา และปรับตั้ง (นอกเหนือจากที่ระบุในคู่มือเล่มนี้) รวมทั้งใช้อะไหล่ของแท้เสมอ เครื่องมือประกอบด้วยชิ้นส่วนภายในที่ผู้ใช้ไม่สามารถซ่อมเองได้

### การทำความสะอาด



**คำเตือน:** เป่าสิ่งสกปรกและฝุ่นละอองที่สะสมออกจากตัวเครื่องเป็นประจำด้วยลมแห้ง เนื่องจากสิ่งสกปรกมีสะสมอยู่ภายในและรอบๆ ช่องระบายอากาศ สวมอุปกรณ์ป้องกันตาและหน้ากากกันฝุ่นที่ได้มาตรฐานเมื่อทำตามขั้นตอนนี้



**คำเตือน:** ห้ามใช้สารที่เป็นตัวทำลายหรือสารเคมีที่มีฤทธิ์กัดกร่อนรุนแรงอื่นๆ ทำความสะอาดชิ้นส่วนที่ไม่ใช่โลหะของเครื่องมือ สารเคมีเหล่านี้อาจส่งผลกระทบต่อชิ้นส่วนเหล่านี้ ใช้เฉพาะผ้าชุบน้ำสบู่อ่อนเท่านั้น อย่าให้มีของเหลวค้างอยู่ในเครื่อง ห้ามจุ่มส่วนใดๆ ของเครื่องมือลงในของเหลว


### อุปกรณ์เสริม


ประสิทธิภาพการทำงานของเครื่องมือไฟฟ้าจะขึ้นอยู่กับอุปกรณ์เสริมที่ใช้ อุปกรณ์เสริมของ Black & Decker ได้รับการกำหนดโครงสร้างตามมาตรฐานคุณภาพระดับสูง และได้รับการออกแบบเพื่อให้เครื่องมือไฟฟ้ามีประสิทธิภาพสูงขึ้น การใช้อุปกรณ์เสริมเหล่านี้จะช่วยให้คุณได้รับสิ่งที่ดีที่สุดในเครื่องมือของคุณ มีอุปกรณ์เสริมให้เลือก มากมายหลายแบบหาซื้อได้ที่ตัวแทนจำหน่ายของเราในพื้นที่ หรือศูนย์บริการที่ได้รับอนุญาต



**ข้อควรระวัง:** การใช้อุปกรณ์เสริมอื่นใดที่ไม่ได้แนะนำให้ใช้กับเครื่องมือนี้ อาจเป็นสาเหตุให้เกิดอันตรายได้

## การปกป้องสิ่งแวดล้อม

 ใช้วิธีการเก็บรวบรวมแบบคัดแยก ห้ามทิ้งผลิตภัณฑ์นี้ร่วมกับขยะในครัวเรือนปกติ หากวันหนึ่งคุณพบว่าจำเป็นต้องเปลี่ยนผลิตภัณฑ์ Black & Decker ของคุณ หรือถ้าเครื่องมือนี้ไม่เป็นประโยชน์สำหรับคุณอีกต่อไป อย่าทิ้งผลิตภัณฑ์นี้ร่วมกับขยะในครัวเรือน จัดการกับผลิตภัณฑ์นี้เพื่อการเก็บรวบรวมแบบคัดแยก

 การเก็บรวบรวมแบบคัดแยกสำหรับบรรจุภัณฑ์และผลิตภัณฑ์ที่ใช้แล้วทำให้สามารถรีไซเคิลวัสดุและนำมาใช้งานอีกครั้ง การนำวัสดุรีไซเคิลมาใช้อีกครั้งจะช่วยป้องกันมลพิษต่อสิ่งแวดล้อมและลดความต้องการวัตถุดิบ หากจำเป็นโปรดติดต่อกับเทศบาลท้องถิ่นของคุณเพื่อขอคำแนะนำในการกำจัดทิ้งที่เหมาะสมสำหรับเมือง/จังหวัดของคุณ

## ข้อมูลเกี่ยวกับการบริการ

Black & Decker มีเครือข่ายของศูนย์บริการเต็มรูปแบบทั้งที่บริษัทเป็นเจ้าของและที่ได้รับอนุญาต และมีสาขาอยู่ทั่วทั้งเอเชีย ศูนย์บริการ Black & Decker ทั้งหมดมีพนักงานที่ผ่านการฝึกอบรมเป็นอย่างดี สามารถให้บริการเกี่ยวกับเครื่องมือไฟฟ้าได้อย่างมีประสิทธิภาพและไว้วางใจได้ ไม่ว่าคุณจะมีการคำแนะนำด้านเทคนิค การซ่อมแซม หรืออะไหล่ของแท้จากโรงงาน โปรดติดต่อศูนย์บริการ Black & Decker ใกล้บ้านคุณ

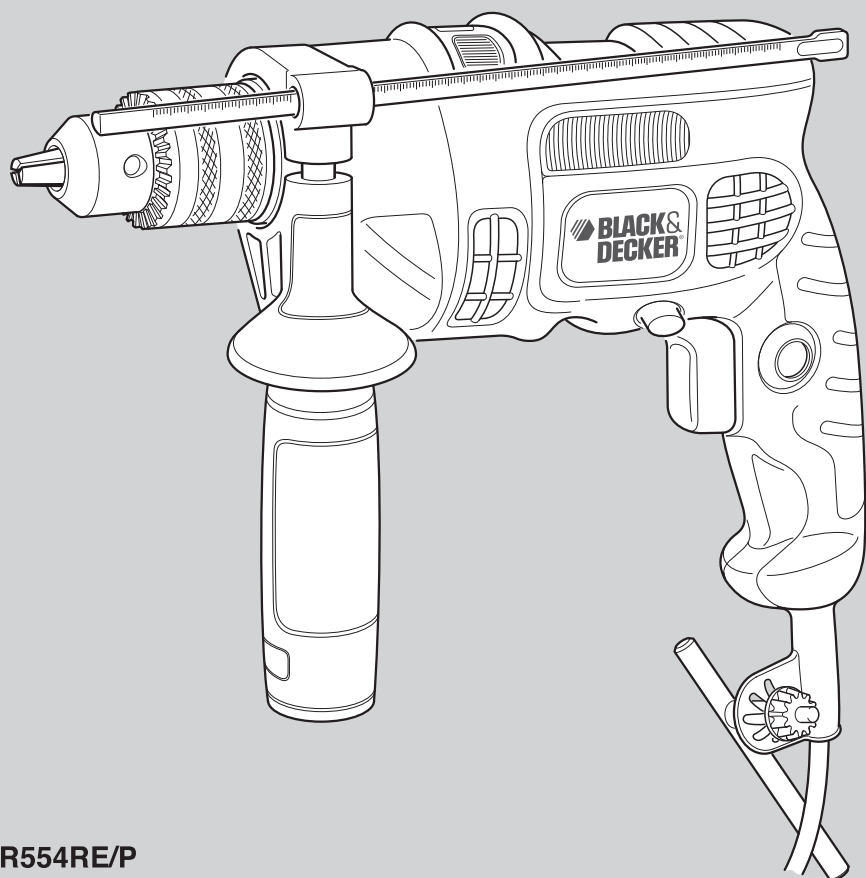
## หมายเหตุ

- นโยบายของ Black & Decker คือการพัฒนาผลิตภัณฑ์ของเราอย่างต่อเนื่อง ดังนั้นเราจึงขอสงวนสิทธิ์ในการเปลี่ยนแปลงข้อมูลจำเพาะของผลิตภัณฑ์โดยไม่แจ้งให้ทราบล่วงหน้า
- อุปกรณ์มาตรฐานและอุปกรณ์เสริม อาจแตกต่างกันไปในแต่ละประเทศ
- ข้อมูลจำเพาะของผลิตภัณฑ์อาจแตกต่างกันไปในแต่ละประเทศ
- ผลิตภัณฑ์บางรุ่นอาจไม่มีในบางประเทศ โปรดติดต่อตัวแทนจำหน่าย Black & Decker ในท้องที่ของคุณเพื่อขอทราบข้อมูลรุ่นที่มีจำหน่าย





## 取扱説明書



KR554RE/P  
KR704REK/P

ご使用になる前に、この取扱説明書をよくお読みになり正しくご使用ください。  
この取扱説明書は大切に保管し、必要な時に備えてください。

## 安全上のご注意



### 注意

正しく安全にお使いいただく為に、ご使用前に必ずこの取扱説明書にある指示事項を全てお読みください。  
お読みになった後は、いつでも見られるように必ず保管してください。

安全上のご注意（必ずお守りください）

電動工具をお取扱いの際には、火災や感電、けがなどの事故を未然に防ぐため、必ずお守りいただくことを、次のように説明しています。

- ・表示内容を無視して誤った使い方をした時に生じる危害や損害の程度を、次の表示マークで区分し、説明しています。



### 警告

この表示の欄は、「死亡または重傷を負う可能性が想定される」内容です。



### 注意

この表示の欄は、「障害を負う可能性又は物的損害のみが発生する可能性が想定される」内容です。

- ・お守りいただく内容を、次の絵表示で説明しています。



このような絵表示は、気をつけていただきたい「注意喚起」の内容です。



### 警告

#### 電動工具を安全にお使いいただくために

この取扱説明書を大切に保管し、必要な時に備えてください。

#### ◆作業場の環境について

- ・明るく清潔で、乾いた場所で作業してください。散らかった作業場や作業台での作業は事故の原因になります。また、雨の中や湿った場所など本体内部に水の入りやすいところでは使用しないでください。湿気やモーターなどの電気絶縁を低下させ、感電事故につながります。
- ・危険物のまわりでは決して作業しないでください。通常、電動工具は使用中またはスイッチのオン・オフ時にスパーク（火花）が発生しますので、引火性の液体やガスのある場所の近くで使用しないでください。
- ・お子様を近づけないでください。お子様や外部の方、訪問者が電動工具に触れないようにしてください。作業場所は作業員以外、立入禁止にしてください。

#### ◆警告事項

- ・不用意なスイッチ・オンは決してしないでください。持ち運ぶ間はスイッチに手を触れないようにしましょう。不意にスイッチが入り刃物類が作動し、重大な事故を引き起こす恐れがあります。
- ・保護メガネや他の保護器具を必ず使用してください。飛散する切り粉から目を守るために保護メガネを必ず着用してください。ホコリが多量に出る作業では健康のためにも防じんマスクを併用してください。作業環境によっては耳栓、ヘルメット、手袋、安全靴の使用も必要です。

#### ◆工具の使用と手入れ

- ・加工材はしっかりと固定して作業してください。クランプや万力などで加工材を固定してください。手で保持するよりも安全ですし、両手で電動工具を使用することは安全につながります。
- ・スイッチが入らない、あるいは切れない場合は、ご使用を直ちに中止してください。スイッチの故障した電動工具は、不意に刃物類が作動し、重大な事故を引き起こす恐れがあります。所定のサービスセンターで修理してください。
- ・電動工具の調節や刃物、ビット類の交換の際には、必ずスイッチがオフであることを確認してください。こうした確認は不意に電動工具が作動して引き起こす事故を防止します。
- ・指定の付属品、アタッチメントを使用してください。ブラック・アンド・デッカー社製工具への使用を推奨していない付属品やアタッチメントの使用は危険をとまなうことがあります。



## 注意

### 電動工具を安全にお使いいただくために

#### ◆電気に関する安全事項

- 電源コードを乱暴に扱わないでください。コードの部分をもって工具をぶら下げて持ち運んだり、コンセントから外す際にコードを引っばったりしないでください。感電やショート等の原因となるので、コードを熱いものや油、薬品類に接触させたり、鋭利なものでキズをつけないように注意してください。万一、誤ってキズをつけた場合はその箇所に手を触れず、直ちにスイッチを切り、電源プラグをコンセントから抜いてください。キズついたコードは火災を引き起こす危険性があります。

#### ◆注意事項

- 常に注意して作業を行なってください。電動工具を使用する際、取扱方法、作業の手順、周囲の状況などに十分注意し作業に集中してください。疲労時や飲酒、薬の服用時などには決して使用しないでください。使用時の集中力の欠如は重大な事故を引き起こす原因となります。
- キチンとした服装で作業を行なってください。そで口の開いた服装や宝石類を身に付けしないでください。電動工具の駆動部分に巻き込まれる恐れがあります。屋外で作業をする際には、滑り止めのついた履き物を着用することをお勧めします。長髪の方は作業の邪魔にならないように帽子をかぶってください。
- 調整用キー、レンチ等は、使用時以外は必ず取り外してください。スイッチを入れる前に、調節に用いたキーやレンチなどの工具類が全て取り外されているかどうか、常に確認する習慣をつけてください。
- 無理な姿勢で作業をしないでください。常に足場を安定させ、バランスを保つようにしてください。無理な姿勢は、思わぬ事故を引き起こす原因となります。
- 電動工具に無理な力をかけないでください。電動工具は、機械本来の用途や負荷状態の限度内でご使用いただくのが基本です。また、所定の速度で使用することによって、仕上がりの良い安全な作業ができます。
- 使用していない電動工具はお子様や初心者の方の手が届かないところに保管してください。電動工具はお子様や初心者の方には大変危険なものです。

#### ◆工具の使用と手入れ

- 損傷部品を点検してください。引き続き使用する前に、安全カバーやその他の部品に損傷がないか点検してください。また正しく動作するか、所定の機能が発揮されるかどうか確認してください。可動部分の位置ずれや引っかかり、部品の破損、取り付け状態、その他に異常がないか点検してください。損傷した不良部品は、所定のサービスセンターで修理または交換してください。
- 電動工具と刃物類は、こまめに手入れをしてください。安全で効率のよい作業をしていただくために、工具の握り部は常に乾かしてきれいな状態に保ち、油やグリスがつかないようにしてください。また刃物類はよく手入れをし、シャープな状態を保ってください。電動工具は常に手入れのゆきとどいた状態で使用してください。

#### ◆修理／メンテナンス

- 電動工具の修理は認定技術者のみが行なえます。修理、メンテナンス、調整はブラック・アンド・デッカー認定サービスセンターの認定技術者が行なわなければなりません。
- 純正部品のみを使用してください。十分な能力を発揮するために、修理、メンテナンス、調整は、純正部品のみを使用して行なわなければなりません。



## 注意

### ホームドライバーに関する安全上の追加事項。

壁や床に穴をあける際には、内部の電気配線や配管に注意してください。感電や水漏れ、ガス漏れなどの事故を引き起こさないように十分調査してから作業を行なってください。壁裏などの通電中の配線を誤って切断した場合などに備え、二重絶縁されている本体のハンドル部分をつかんで作業を行なってください。通電中の配線に触れると、作業者が感電する危険性があります。

電動工具のラベルには、下記のマークが含まれることがあります。

V	.....	電圧
==	.....	直流
□	.....	二重絶縁
⚠	.....	注意
n <sub>0</sub>	.....	無負荷状態での回転数
○○○○/min	.....	1分毎の回転数または復巻数



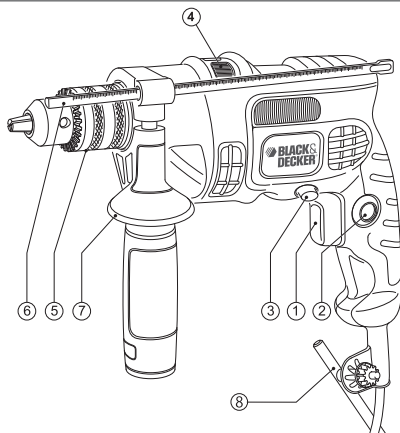
## 注意

### ニッケル水素充電電池と充電器に関する安全上の事項。

◆下記の注意事項を全てお読みください。

- 充電器の定格電圧が電源と一致していることを確認してください。充電器は定格表示してある電源で使用してください。昇圧器などのトランス類を使用したり直流電源やエンジン発電機では使用しないでください。異常に発熱し、火災の恐れがあります。
- 充電器は屋内のみで使用してください。また、充電器を濡れた場所や、ちらかった場所では使用しないでください。特に水まわりの近くでの使用や、水の中に浸けたりしないでください。
- 充電器のコードやプラグ部分に損傷がある場合、使用せず新しいものと交換してください。
- 充電器が衝撃、落下、その他何らかの原因で損傷した場合には使用せず、ブラック・アンド・デッカー認定サービスセンターにお持ち込みください。
- 充電電池／充電器を開ける試みは絶対にしないでください。充電電池本体にひびや傷、へこみを発見した場合、再充電することなくすぐにご使用をおやめください。充電器は修理できる構造とはなっておりません。不具合がある場合はお買い上げの販売店、あるいは弊社認定サービスセンターにご相談ください。
- 周囲温度が+4℃以下、及び+40℃以上のときは充電電池の充電を行わないでください。これは充電電池にあたる重大な損傷を防止するために必要な事項です。
- 充電電池がひどく損傷していたり完全に消耗していても、焼却しないでください。充電電池が火の中で爆発する恐れがあります。過度な使用や極端な温度状況のもとでは、わずかな量の液もれが充電電池から発生することがあります。もし外部シールが破れて漏れ出した液体が皮膚に触れた場合は：
  - \* 石鹸と水で直ちに洗い落としてください。
  - \* レモンジュースや酢などの弱酸性で中和してください。
  - \* 電池液が目に入った場合は、きれいな水で少なくとも10分間洗い流してから、直ちに医師の診察を受けてください。(備考：この液体は水酸化カリウム25～35%溶液です。)
- 充電電池の端子間を絶対にショートさせないでください。ネジ、刃物、くぎなどの金属が充電電池の充電用金属端子に接触してショートすることのないように注意してください。
- 充電電池の充電は専用の充電器のみで行なってください。誤った使用法は感電を引き起こしたり、充電電池を加熱させたり、液漏れなどを引き起こす原因となります。取扱説明書に記載してある充電器でのみ、充電電池を充電してください。
- 専用の充電電池でのみ本製品をご利用ください。他社製の充電電池での本製品のご使用は、火災を引き起こす危険性があります。取扱説明書に記載している充電電池でのみ、本製品をご使用ください。
- 充電中でないときは、プラグをコンセントから必ずはずしておいてください。

## 使う前に



このツールには、以下の機能と同梱品が含まれています。

- ① 無段変速スイッチ
- ② ロックオンボタン
- ③ 正転/逆転切替スイッチ
- ④ ドリル/振動ドリル切替スイッチ
- ⑤ キー式チャック
- ⑥ 深度調節ストッパー (同梱品)
- ⑦ サイドハンドル (同梱品)
- ⑧ チャックキー (同梱品)

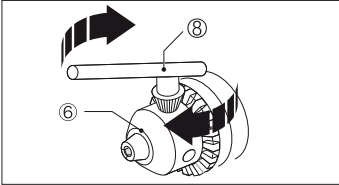
# 使い方

## ◆先端工具の取り付け・取り外し方



### 警告

先端工具の取り付け作業を行う前に必ずプラグをコンセントから外してください。  
プラグを電源につないだまま行くと事故の原因になります。



備え付けのチャックキー(⑧)をキー式チャック(⑤)にある3カ所の穴に順々に入れ、反時計廻りにまわしてアクセサリ挿入口をゆるめてください。ドリルチャックに先端工具を奥まで差し込んでください。チャックキーをドリルチャックにある3カ所の穴に順々に入れ、時計廻りにまわしてアクセサリ挿入口をしっかりと締めてください。このとき、1ヶ所だけで締め付けず、3ヶ所の穴を順々に均等に締め付けてください。



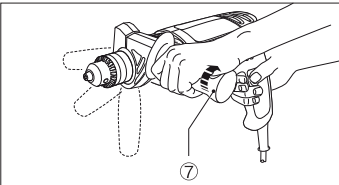
### 注意

作業に合った先端工具をご使用ください。  
作業直後の先端工具は非常に高温です。やけどの原因になりますので、絶対に素手で触らないでください。

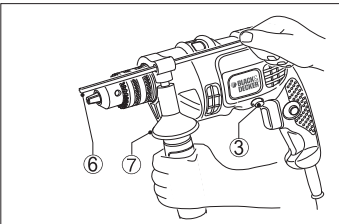
## ◆サイドハンドル／深度調節ストッパー



本機を使用する際、必ずサイドハンドルと共に使用し、両手でしっかりと本機を固定してください。



サイドハンドル(⑦)の握りの部分をゆるめた後、本機の先端側から差し込んでください。作業に合った角度に合わせて、握り部分をしっかりと締め付けてください。



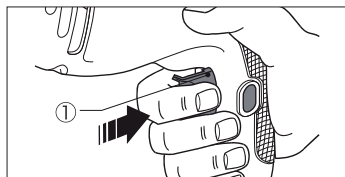
深度調節ストッパー(⑥)はサイドハンドル(⑦)の握り部分を緩めると自由に動きますので、適切な深度に調節してご使用ください。同じ深さの穴を連続して開ける際にご利用ください。

## ◆スイッチの操作方法

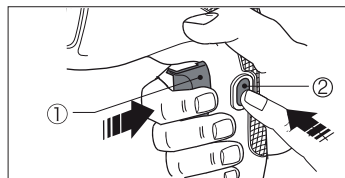


### 警告

プラグをコンセントに差し込む前に、無段変速トリガースイッチ(①)がオフの状態であることを確認してください。スイッチを入れたままプラグを電源につなぐと急に作動し大変危険です。

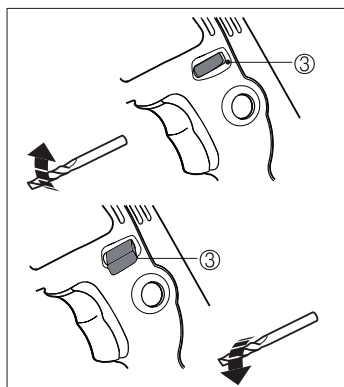


左図のように、トリガースイッチ(①)を引くと作動します。またトリガースイッチを放せば止まります。トリガースイッチには無段変速機能が組み込まれていますので、強く引くと高速、弱く引くと低速というように速度を調節できます。作業の内容によってトリガーの引き具合で速度を調節できるので大変便利です。



トリガースイッチ(①)を引いた状態でロックオンボタン(②)を押すと、トリガースイッチがロックされ継続的に使用されるときに便利です。ロックを解除するには、トリガースイッチをもう一度軽く引いてください。

## ◆正転/逆転切換スイッチ(③)

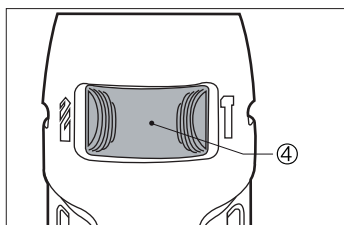


正転/逆転切換スイッチ(③)を工具右側から左側にスライドさせると正転します。正転/逆転切換スイッチを工具左側から右側にスライドさせると逆転します。



回転中に、正転/逆転切換スイッチ(③)を操作しないでください。故障の原因になります。

## ◆ドリル/振動ドリル切換スイッチ(④)




金工/木工穴あけ作業にはドリル/振動ドリル切換スイッチを(④)“D”(ドリル)の位置にセットしてください。コンクリートへの穴あけ作業には、切換えスイッチを“V”(振動ドリル)の位置にセットしてください。



作業中はドリル/振動ドリル切換スイッチ(④)を操作しないでください。故障の原因になります。

## ◆木材/金属への穴あけの作業

- (1) ドリル/振動ドリル切換スイッチ(④)を“”の位置に合わせてください。
- (2) ドリルビットの先端を作業目標にあてがい、トリガースイッチ(①)を少し引き低速の状態で作業を開始してください。穴が深くなるにつれトリガースイッチを深く引き、回転速度をあげてください。
  - ・本機をしっかりと両手で保持して穴あけ作業を行ってください。
  - ・穴あけ作業中は、作業物に対して真っ直ぐに力をかけてください。無理な力を作業物に加えないでください。かえって作業効率が悪くなりますし、モーターやドリルビットを早く消耗させることにつながります。
  - ・木工穴あけを行う際は、木工用のドリルビットをご使用ください。作業物の下側に不要な木材を置き一緒にあけるか、キリの先端が少し出たときに裏返しにしてあげるときれいに仕上がります。
  - ・鉄工穴あけを行う際は、鉄工用のドリルビットをご使用ください。また作業の際は、潤滑油をご使用ください（鋳鉄や真ちゅうに穴あけ作業を行う際は、潤滑油を使用しないでください）。位置が固定されたらトリガースイッチをいっぱい引いて最高回転数にて穴あけ作業を行ってください。
  - ・穴あけ終了後、ドリルビットを逆転させて抜くときには、本機を両手でしっかりと固定し、トリガースイッチを引いたままモーターが回転した状態で行ってください。
  - ・作業中に本機が異常に熱を持った場合は本機を数分休ませた後、ご使用ください。

## ◆コンクリートへの穴あけの作業

- (1) ドリル/振動ドリル切換スイッチ(④)を“**T**”の位置に合わせてください。
- (2) ドリルビットの先端を作業目標にあてがい、トリガースイッチ(①)を少し引き低速の状態で作業を開始してください。穴の位置が決まったら、穴が深くなるにつれトリガースイッチを深く引き、回転速度をあげてください。
  - ・コンクリートへの穴あけ作業には、コンクリート専用のビットをご使用ください。コンクリートへの穴あけ作業を行うとき、無理な力を作業物に加えないでください。かえって作業効率が悪くなりますし、ドリルビットを早く消耗させる原因となります。
  - ・作業物に対して直角に穴あけ作業を行ってください。ドリルビットに横からの圧力が加わると作業効率が低下しますし、穴の中でドリルビットが詰まり取れなくなることがあります。
  - ・深い穴あけ作業の途中にハンマーの回転数が低下してきた場合、一度ドリルビットを穴から抜き、粉じんを穴の外に取り除いてください。
  - ・作業中の穴の中に水を注がないでください。穴の中でドリルビットが詰まり取れなくなることがあります。
  - ・正転/逆転切換スイッチ(④)逆転の位置でコンクリートへの穴あけ作業は行わないでください。故障の原因になります。

## その他の情報



### 警告

点検・手入れの際は、必ずプラグをコンセントから外してください。プラグを電源につないだまま行くと事故の原因になります。

## メンテナンス

製品の掃除には、から拭き、水またはぬるま湯でうすめた中性洗剤を湿らせた布で表面を拭いてください。テレピン油、ペイント用シンナー等の薬品は使用しないでください。製品内部に液体が入らないように、また製品本体を液体に浸けないように十分注意してください。

## アフターサービスについて

本機の修理、調整はブラック・アンド・デッカーにて認定技術者が純正部品を使用して行わなければなりません。必ずお買い上げの販売店または当社までご相談ください。修理の知識や技術のない方が修理を行いますと、事故やケガのおそれがあります。



## 仕 様

本体		
本体品番	KR704RE/KR704REKP	KR554RE/KR554REP
電源	AC100V/50/60Hz	AC100V/50/60Hz
消費電力	710W	550W
回転数	0-2,800MIN <sup>-1</sup> (回転/分)	0-2,800MIN <sup>-1</sup> (回転/分)
振動数	0-47,600MIN <sup>-1</sup> (回/分)	0-47,600MIN <sup>-1</sup> (回/分)
チャック能力	φ 2.0mm-13mm	φ 2.0-13mm
チャックタイプ	キー式	キー式
スイッチ	無段変速	無段変速
本体質量	1.8kg	1.8kg
能力		
木工	φ 30mm	φ 20mm
金工	φ 13mm	φ 13mm
コンクリート	φ 16mm	φ 13mm

※製品仕様及び内容は改良のため予告なく変更することがあります。

ポップリベット・ファスナー株式会社

ブラック・アンド・デッカー事業部

〒171-0022 東京都豊島区南池袋 1-11-22

山種池袋ビル 4F

Tel: 03 (5979) 5677 Fax: 03 (5979) 5788



# 製品保証書

## <保証規定>

保証期間：お買い上げ日より1年間

- 1) 取扱説明書や製品ラベルに記載されている注意書きに従った使用状態で、本製品が万が一故障した場合には、無償修理または新品と交換いたします。  
無償修理・交換をご依頼になる場合は、以下のものをお買い上げの販売店までご持参、またはブラック・アンド・テッカーまでご相談ください。
  - ・製品
  - ・必要事項を記入した本書
  - ・レシート（領収書）またはそのコピーお買い上げの販売店、またはブラック・アンド・テッカーまでご持参、またはご送付いただいた場合の諸費用は、お客様の負担となります。
- 2) 次の場合は、本保証書規定の対象外となり、有料の修理・交換とさせていただきます。
  - ◆本書、及びお買い上げを証明するレシート（領収書）またはそのコピーの提示がない場合
  - ◆ご家庭以外（業務用としてなど）で使用した場合の故障および損傷
  - ◆移動、落下などによる故障および損傷
  - ◆使用上の誤りや注意書きを無視した使用による故障及び損傷
  - ◆不当な修理や改造による故障及び損傷
  - ◆火災・地震などの天災。騒乱などの人災、公害や異常電圧などの環境による故障および損傷
  - ◆海外など、ご利用電源が100V（50/60Hz）でない環境でのご使用による故障および損傷
  - ◆保証期間経過後のご依頼
- 3) 本書は日本国内においてのみ有効です。 This warranty is valid only in Japan.
- 4) 本書は再発行いたしませんので、紛失しないように大切に保管してください。
- 5) 本規定は、以上の保証規定により修理・交換をお約束するためのもので、これによりお客様の法律上の権利を制限するものではありません。

※充電電池、電球、ビット、ノコ刃、サンドペーパー、掃除機フィルター等の消耗品は保証の対象外です。

## <アフターサービスについて>

アフターサービスに関する事項は、「アフターサービスについて」をご参照ください。  
保証期間経過後の修理等については、ブラック・アンド・テッカーまでお問合せください。

## <個人情報のお取り扱いについて>

弊社は、お客様よりお知らせいただいたお客様の住所、氏名、電話番号などの個人を識別、もしくは特定することのできる固有の情報（以下「個人情報」）を、本サービス提供目的のため、弊社ならびに弊社指定の宅配業者に提供します。お客様は、あらかじめこれに同意するものとします。また個人情報は、新製品情報、イベントのご案内、弊社製品サービスの品質向上のためにも利用させていただきます。



## ブラック・アンド・デッカー 製品保証書

本書は、裏面に記載された保証規定により無償で修理・交換をお約束するものです。  
詳細は裏面の保証規定をご参照ください。

お客様記入欄	
フリガナ	
お名前	
TEL	( )
ご住所	(〒 ) 都道 府県
製品名	型番
振動ドリル	KR704REK/KR704REKP KR554RE/KR554REP
お買い上げ日	販売店名
年 月 日	
販売店住所	
TEL : ( )	

ポップリベット・ファスナー株式会社  
ブラック・アンド・デッカー事業部

〒171-0022 東京都豊島区南池袋1-11-22 山種池袋ビル4F  
TEL:03(5979)5677 FAX:03(5979)5788