
DEWALT®

XR LI-ION

English (**original instructions**) 6

Русский (*перевод с оригинала инструкции*) 16

Українська (*переклад з оригінальної інструкції*) 29

Fig. A

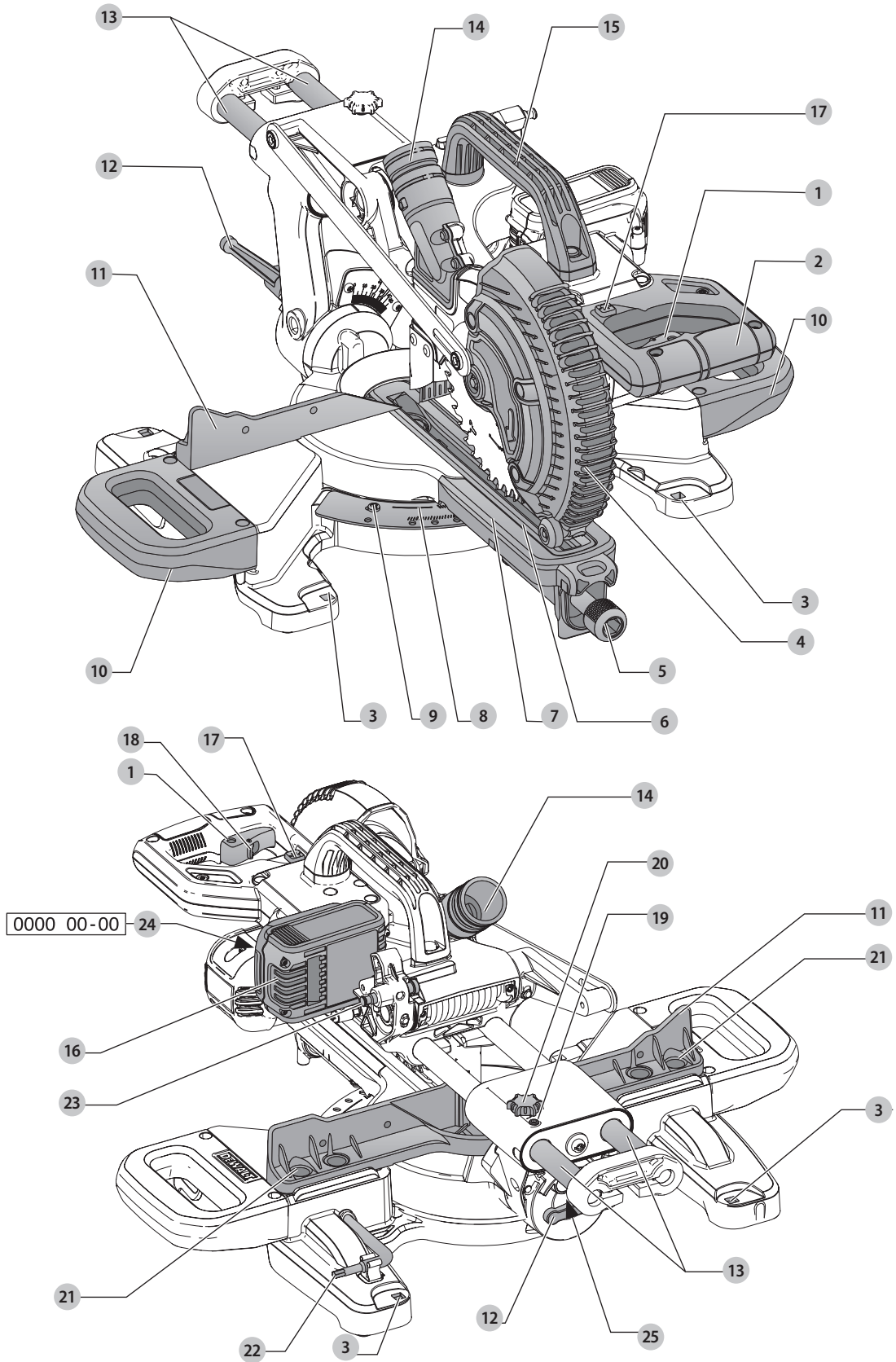


Fig. B

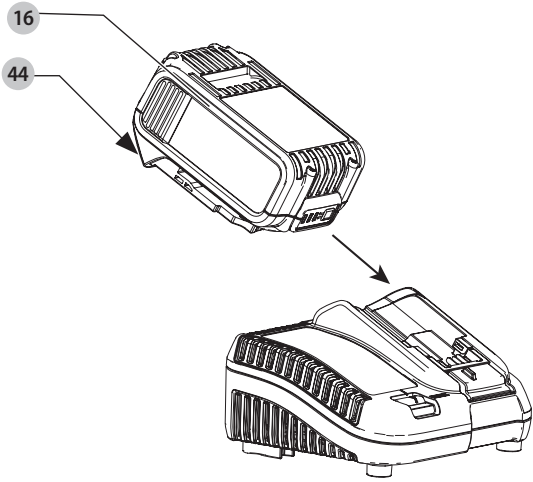


Fig. C

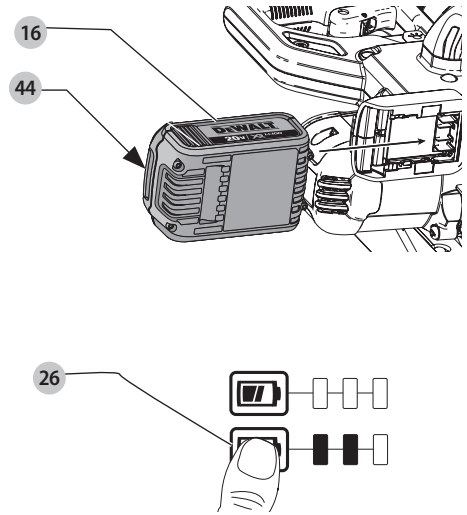


Fig. D

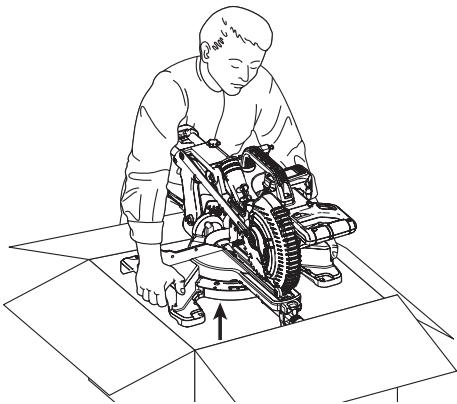


Fig. E

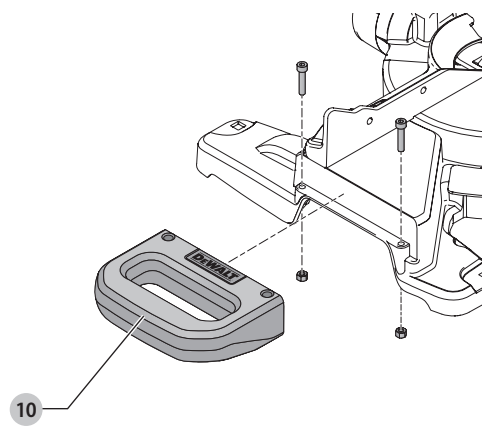


Fig. F1

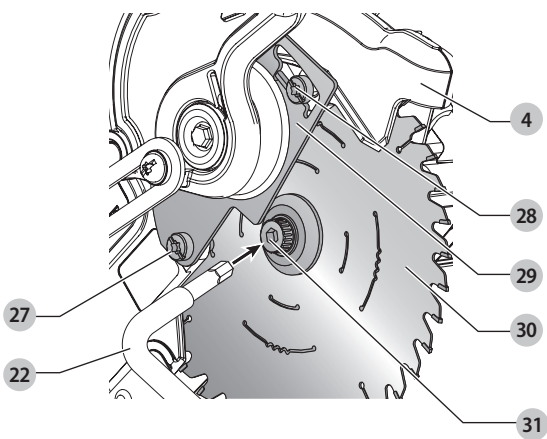


Fig. F2

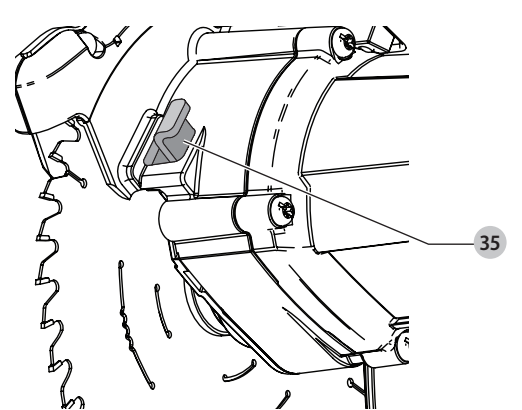


Fig. F3

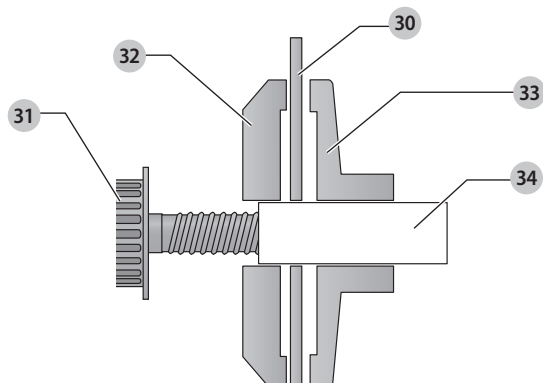


Fig. G1

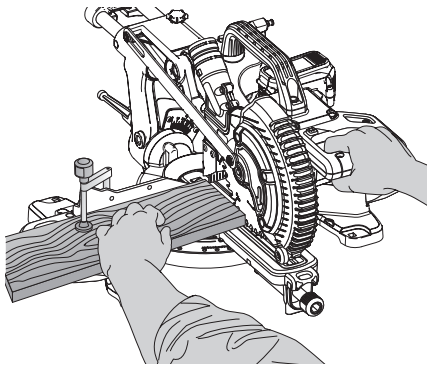


Fig. G2

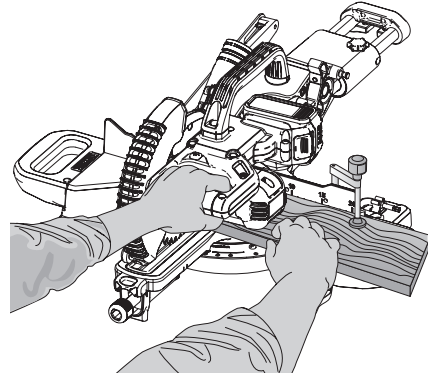


Fig. G3

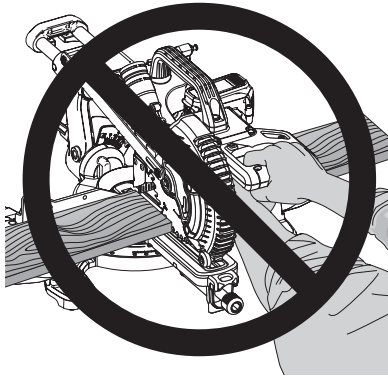


Fig. G4

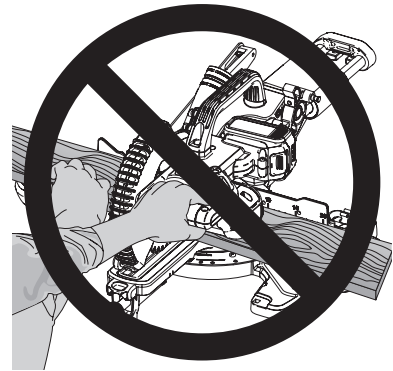


Fig. H

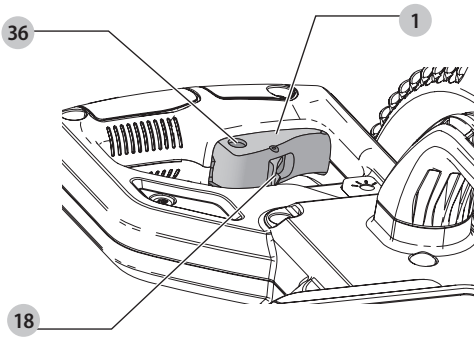


Fig. I

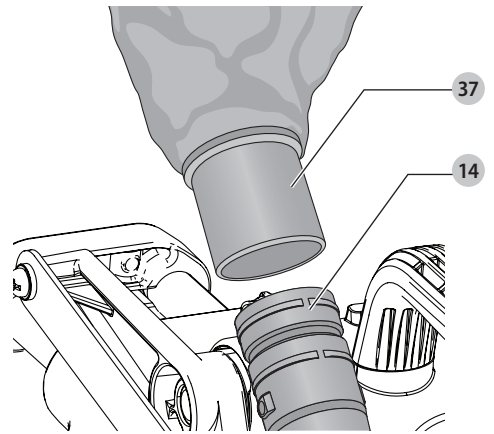


Fig. J

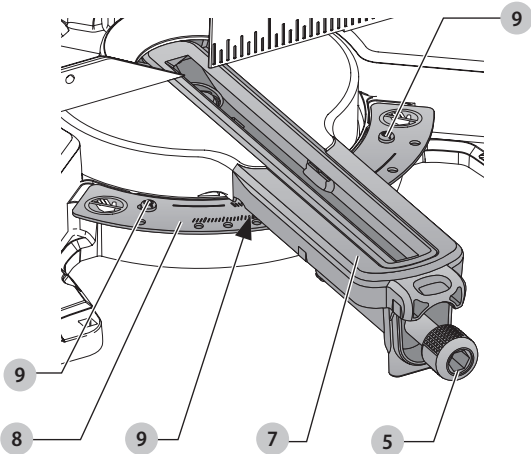


Fig. K

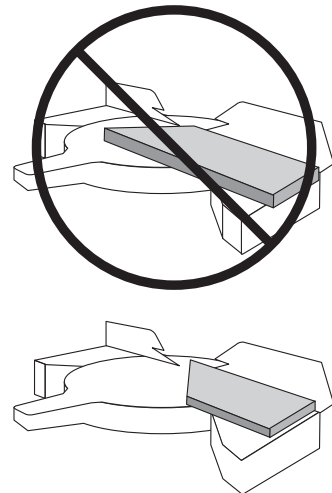


Fig. L1

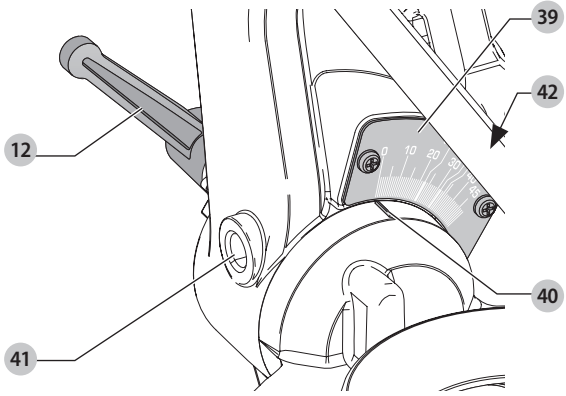


Fig. L2

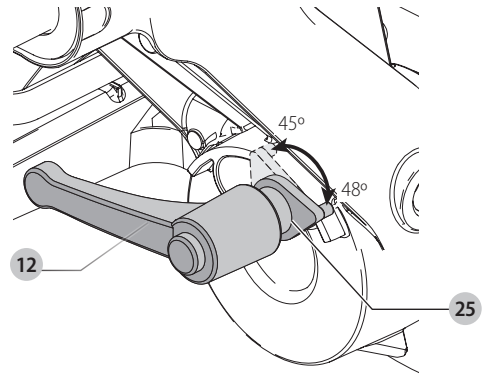


Fig. M

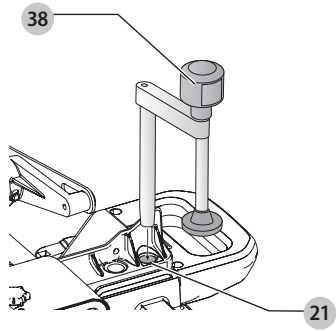


Fig. N

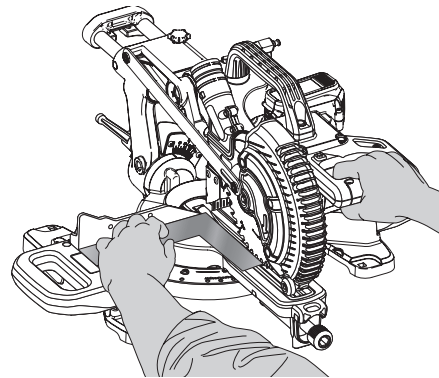


Fig. O

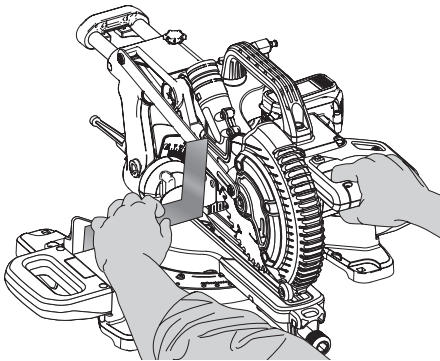


Fig. P

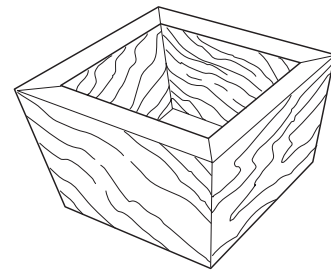


Fig. Q

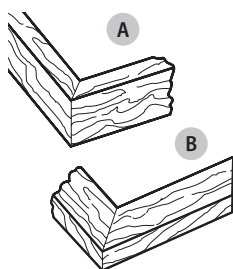


Fig. R

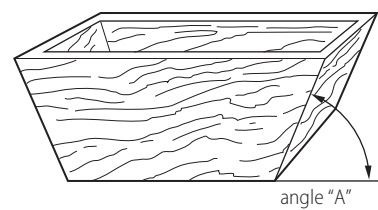


Fig. S

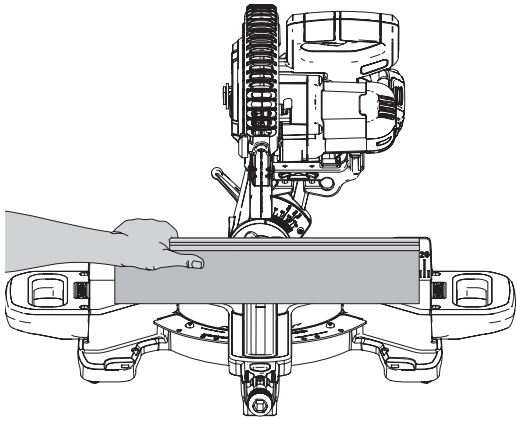


Fig. T

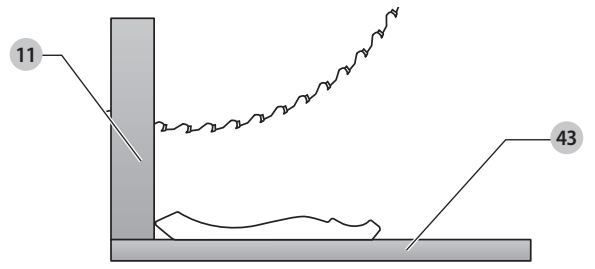


Fig. U

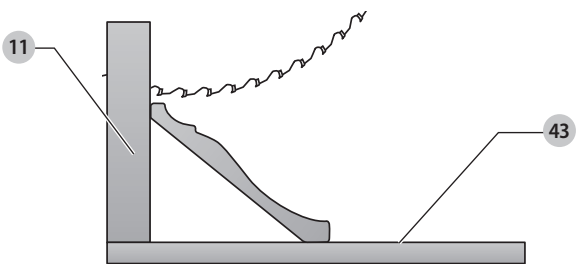


Fig. V

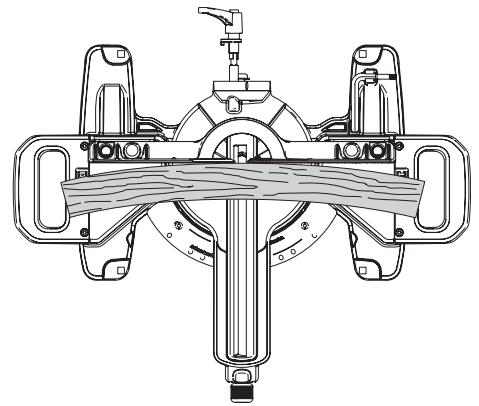


Fig. W

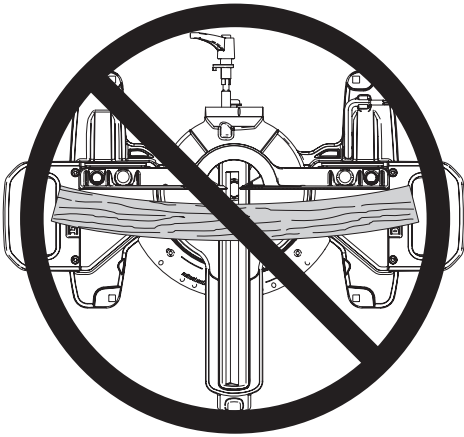
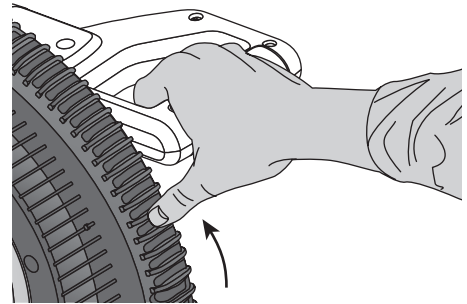


Fig. X



CORDLESS SLIDING COMPOUND MITRE SAW

DCS365

Congratulations!

You have chosen a DEWALT tool. Years of experience, thorough product development and innovation make DEWALT one of the most reliable partners for professional power tool users.

Technical Data

		DCS365
Voltage	V _{bc}	18
Type		1
Battery type		Li-Ion
Blade diameter	mm	184
Blade bore	mm	16
Blade body thickness	mm	1
Max. blade speed	min-1	3750
Max. cross-cut capacity 90°	mm	50
Max. mitre capacity 45°	mm	35.3
Mitre (max. positions)	left right	45° 45°
Bevel (max. positions)	left right	48° 0°
0° mitre		
Resulting width at max. height 50 mm	mm	250
Resulting height at max. width 90 mm	mm	15
45° mitre left		
Resulting width at max. height 50 mm	mm	176
Resulting height at max. width 90 mm	mm	8
45° mitre right		
Resulting width at max. height 50 mm	mm	176
Resulting height at max. width 90 mm	mm	8
45° bevel left		
Resulting width at max. height 35 mm	mm	250
Automatic blade brake time	s	< 10
Weight without battery	kg	10.5
Noise values and/or vibration values (triax vector sum) according to EN62841-3-9:		
L _{pa} (emission sound pressure level)	dB(A)	88
L _{wa} (sound power level)	dB(A)	93
K (uncertainty for the given sound level)	dB(A)	2,0
Vibration emission value a _h =		
	m/s ²	<2,5
Uncertainty K =		
	m/s ²	1,5

The vibration and/or noise emission level given in this information sheet has been measured in accordance with a standardised test given in EN62841 and may be used to compare one tool with another. It may be used for a preliminary assessment of exposure.

WARNING: The declared vibration and/or noise emission level represents the main applications of the tool. However if the tool is used for different applications, with different accessories or poorly maintained, the vibration and/or noise emission may differ. This may significantly increase the exposure level over the total working period.

An estimation of the level of exposure to vibration and/or noise should also take into account the times when the tool is switched off or when it is running but not actually doing the job. This may significantly reduce the exposure level over the total working period.

Identify additional safety measures to protect the operator from the effects of vibration and/or noise such as: maintain the tool and the accessories, keep the hands warm (relevant for vibration), organisation of work patterns.

EC-Declaration of Conformity

Machinery Directive



Mitre Saw DCS365

DEWALT declares that these products described under **Technical Data** are in compliance with: 2006/42/EC, EN62841-1:2015/AC:2015; EN62841-3-9:2015 + AC:2016 + A11:2017.

These products also comply with Directive 2014/30/EU and 2011/65/EU. For more information, please contact DEWALT at the following address or refer to the back of the manual.

The undersigned is responsible for compilation of the technical file and makes this declaration on behalf of DEWALT.

Markus Rompel
Vice-President Engineering, PTE-Europe
DEWALT, Richard-Klinger-Straße 11,
D-65510, Idstein, Germany
01.11.2019



WARNING: To reduce the risk of injury, read the instruction manual.

Definitions: Safety Guidelines

The definitions below describe the level of severity for each signal word. Please read the manual and pay attention to these symbols.



DANGER: Indicates an imminently hazardous situation which, if not avoided, **will** result in **death or serious injury**.



WARNING: Indicates a potentially hazardous situation which, if not avoided, **could** result in **death or serious injury**.



CAUTION: Indicates a potentially hazardous situation which, if not avoided, **may** result in **minor or moderate injury**.

NOTICE: Indicates a practice **not related to personal injury** which, if not avoided, **may** result in **property damage**.



Denotes risk of electric shock.



Denotes risk of fire.

GENERAL POWER TOOL SAFETY WARNINGS



WARNING: Read all safety warnings, instructions, illustrations and specifications provided with this power tool. Failure to follow all instructions listed below may result in electric shock, fire and/or serious injury.

SAVE ALL WARNINGS AND INSTRUCTIONS FOR FUTURE REFERENCE

The term "power tool" in the warnings refers to your mains-operated (corded) power tool or battery-operated (cordless) power tool.

1) Work Area Safety

- Keep work area clean and well lit.** Cluttered or dark areas invite accidents.
- Do not operate power tools in explosive atmospheres, such as in the presence of flammable liquids, gases or dust.** Power tools create sparks which may ignite the dust or fumes.
- Keep children and bystanders away while operating a power tool.** Distractions can cause you to lose control.

2) Electrical Safety

- Power tool plugs must match the outlet. Never modify the plug in any way. Do not use any adapter plugs with earthed (grounded) power tools.** Unmodified plugs and matching outlets will reduce risk of electric shock.
- Avoid body contact with earthed or grounded surfaces, such as pipes, radiators, ranges and refrigerators.** There is an increased risk of electric shock if your body is earthed or grounded.
- Do not expose power tools to rain or wet conditions.** Water entering a power tool will increase the risk of electric shock.
- Do not abuse the cord. Never use the cord for carrying, pulling or unplugging the power tool. Keep cord away from heat, oil, sharp edges or moving parts.** Damaged or entangled cords increase the risk of electric shock.
- When operating a power tool outdoors, use an extension cord suitable for outdoor use.** Use of a cord suitable for outdoor use reduces the risk of electric shock.
- If operating a power tool in a damp location is unavoidable, use a residual current device (RCD) protected supply.** Use of an RCD reduces the risk of electric shock.

3) Personal Safety

- Stay alert, watch what you are doing and use common sense when operating a power tool. Do not use a power tool while you are tired or under the influence of drugs, alcohol or medication.** A moment of inattention while operating power tools may result in serious personal injury.
- Use personal protective equipment. Always wear eye protection.** Protective equipment such as a dust mask, non-skid safety shoes, hard hat or hearing protection used for appropriate conditions will reduce personal injuries.
- Prevent unintentional starting. Ensure the switch is in the off-position before connecting to power source and/or battery pack, picking up or carrying the tool.** Carrying power tools with your finger on the switch or energising power tools that have the switch on invites accidents.
- Remove any adjusting key or wrench before turning the power tool on.** A wrench or a key left attached to a rotating part of the power tool may result in personal injury.
- Do not overreach. Keep proper footing and balance at all times.** This enables better control of the power tool in unexpected situations.
- Dress properly. Do not wear loose clothing or jewellery. Keep your hair and clothing away from moving parts.** Loose clothes, jewellery or long hair can be caught in moving parts.

Batteries				Chargers/Charge Times (Minutes)									
Cat #	V _{DC}	Ah	Weight (kg)	DCB104	DCB107	DCB112	DCB113	DCB115	DCB116	DCB117	DCB118	DCB132	DCB119
DCB546	18/54	6.0/2.0	1.05	60	270	170	140	90	80	40	60	90	X
DCB547	18/54	9.0/3.0	1.46	75*	420	270	220	135*	110*	60	75*	135*	X
DCB548	18/54	12.0/4.0	1.44	120	540	350	300	180	150	80	120	180	X
DCB181	18	1.5	0.35	22	70	45	35	22	22	22	22	22	45
DCB182	18	4.0	0.61	60/40**	185	120	100	60	60/45**	60/40**	60/40**	60	120
DCB183/B	18	2.0	0.40	30	90	60	50	30	30	30	30	30	60
DCB184/B	18	5.0	0.62	75/50**	240	150	120	75	75/60**	75/50**	75/50**	75	150
DCB185	18	1.3	0.35	22	60	40	30	22	22	22	22	22	X
DCB187	18	3.0	0.54	45	140	90	70	45	45	45	45	45	90
DCB189	18	4.0	0.54	60	185	120	100	60	60	60	60	60	120

*Date code 201811475B or later

**Date code 201536 or later

- g) **If devices are provided for the connection of dust extraction and collection facilities, ensure these are connected and properly used.** Use of dust collection can reduce dust-related hazards.
- h) **Do not let familiarity gained from frequent use of tools allow you to become complacent and ignore tool safety principles.** A careless action can cause severe injury within a fraction of a second.

4) Power Tool Use and Care

- a) **Do not force the power tool. Use the correct power tool for your application.** The correct power tool will do the job better and safer at the rate for which it was designed.
- b) **Do not use the power tool if the switch does not turn it on and off.** Any power tool that cannot be controlled with the switch is dangerous and must be repaired.
- c) **Disconnect the plug from the power source and/or remove the battery pack, if detachable, from the power tool before making any adjustments, changing accessories, or storing power tools.** Such preventive safety measures reduce the risk of starting the power tool accidentally.
- d) **Store idle power tools out of the reach of children and do not allow persons unfamiliar with the power tool or these instructions to operate the power tool.** Power tools are dangerous in the hands of untrained users.
- e) **Maintain power tools and accessories. Check for misalignment or binding of moving parts, breakage of parts and any other condition that may affect the power tool's operation. If damaged, have the power tool repaired before use.** Many accidents are caused by poorly maintained power tools.
- f) **Keep cutting tools sharp and clean.** Properly maintained cutting tools with sharp cutting edges are less likely to bind and are easier to control.
- g) **Use the power tool, accessories and tool bits etc. in accordance with these instructions, taking into account the working conditions and the work to be performed.** Use of the power tool for operations different from those intended could result in a hazardous situation.
- h) **Keep handles and grasping surfaces dry, clean and free from oil and grease.** Slippery handles and grasping surfaces do not allow for safe handling and control of the tool in unexpected situations.

5) Battery Tool Use and Care

- a) **Recharge only with the charger specified by the manufacturer.** A charger that is suitable for one type of battery pack may create a risk of fire when used with another battery pack.
- b) **Use power tools only with specifically designated battery packs.** Use of any other battery packs may create a risk of injury and fire.
- c) **When battery pack is not in use, keep it away from other metal objects, like paper clips, coins, keys, nails, screws or other small metal objects, that can make a connection from one terminal to another.** Shorting the battery terminals together may cause burns or a fire.
- d) **Under abusive conditions, liquid may be ejected from the battery; avoid contact. If contact accidentally occurs, flush with water. If liquid contacts eyes, additionally seek medical help.** Liquid ejected from the battery may cause irritation or burns.
- e) **Do not use a battery pack or tool that is damaged or modified.** Damaged or modified batteries may exhibit unpredictable behaviour resulting in fire, explosion or risk of injury.
- f) **Do not expose a battery pack or tool to fire or excessive temperature.** Exposure to fire or temperature above 130 °C may cause explosion.
- g) **Follow all charging instructions and do not charge the battery pack or tool outside the temperature range specified in the instructions.** Charging improperly or at temperatures outside the specified range may damage the battery and increase the risk of fire.

6) Service

- a) **Have your power tool serviced by a qualified repair person using only identical replacement parts.** This will ensure that the safety of the power tool is maintained.
- b) **Never service damaged battery packs.** Service of battery packs should only be performed by the manufacturer or authorized service providers.

Safety Instructions for Mitre Saws


- a) **Mitre saws are intended to cut wood or wood-like products, they cannot be used with abrasive cut-off wheels for cutting ferrous material such as bars, rods, studs,**


etc. Abrasive dust causes moving parts such as the lower guard to jam. Sparks from abrasive cutting will burn the lower guard, the kerf insert and other plastic parts.


- b) **Use clamps to support the workpiece whenever possible. If supporting the workpiece by hand, you must always keep your hand at least 100 mm from either side of the saw blade. Do not use this saw to cut pieces that are too small to be securely clamped or held by hand.** If your hand is placed too close to the saw blade, there is an increased risk of injury from blade contact.
- c) **The workpiece must be stationary and clamped or held against both the fence and the table. Do not feed the workpiece into the blade or cut "freehand" in any way.** Unrestrained or moving workpieces could be thrown at high speeds, causing injury.
- d) **Push the saw through the workpiece. Do not pull the saw through the workpiece. To make a cut, raise the saw head and pull it out over the workpiece without cutting, start the motor, press the saw head down and push the saw through the workpiece.** Cutting on the pull stroke is likely to cause the saw blade to climb on top of the workpiece and violently throw the blade assembly towards the operator.
- e) **Never cross your hand over the intended line of cutting either in front or behind the saw blade.** Supporting the workpiece "cross handed" i.e. holding the workpiece to the right of the saw blade with your left hand or vice versa is very dangerous.
- f) **Do not reach behind the fence with either hand closer than 100 mm from either side of the saw blade, to remove wood scraps, or for any other reason while the blade is spinning.** The proximity of the spinning saw blade to your hand may not be obvious and you may be seriously injured.
- g) **Inspect your workpiece before cutting. If the workpiece is bowed or warped, clamp it with the outside bowed face toward the fence. Always make certain that there is no gap between the workpiece, fence and table along the line of the cut.** Bent or warped workpieces can twist or shift and may cause binding on the spinning saw blade while cutting. There should be no nails or foreign objects in the workpiece.
- h) **Do not use the saw until the table is clear of all tools, wood scraps, etc., except for the workpiece.** Small debris or loose pieces of wood or other objects that contact the revolving blade can be thrown with high speed.
- i) **Cut only one workpiece at a time.** Stacked multiple workpieces cannot be adequately clamped or braced and may bind on the blade or shift during cutting.
- j) **Ensure the mitre saw is mounted or placed on a level, firm work surface before use.** A level and firm work surface reduces the risk of the mitre saw becoming unstable.
- k) **Plan your work. Every time you change the bevel or mitre angle setting, make sure the adjustable fence is set correctly to support the workpiece and will not interfere with the blade or the guarding system.** Without turning the tool "ON" and with no workpiece on the table, move the saw blade through a complete simulated cut to assure there will be no interference or danger of cutting the fence.
- l) **Provide adequate support such as table extensions, saw horses, etc. for a workpiece that is wider or longer than the table top.** Workpieces longer or wider than the mitre saw table can tip if not securely supported. If the cut-off piece or workpiece tips, it can lift the lower guard or be thrown by the spinning blade.
- m) **Do not use another person as a substitute for a table extension or as additional support.** Unstable support for the workpiece can cause the blade to bind or the workpiece to shift during the cutting operation pulling you and the helper into the spinning blade.
- n) **The cut-off piece must not be jammed or pressed by any means against the spinning saw blade.** If confined, i.e. using length stops, the cut-off piece could get wedged against the blade and thrown violently.
- o) **Always use a clamp or a fixture designed to properly support round material such as rods or tubing.** Rods have a tendency to roll while being cut, causing the blade to "bite" and pull the work with your hand into the blade.
- p) **Let the blade reach full speed before contacting the workpiece.** This will reduce the risk of the workpiece being thrown.
- q) **If the workpiece or blade becomes jammed, turn the mitre saw off. Wait for all moving parts to stop and disconnect the plug from the power source and/or remove the battery pack. Then work to free the jammed material.** Continued sawing with a jammed workpiece could cause loss of control or damage to the mitre saw.
- r) **After finishing the cut, release the switch, hold the saw head down and wait for the blade to stop before removing the cut-off piece.** Reaching with your hand near the coasting blade is dangerous.
- s) **Hold the handle firmly when making an incomplete cut or when releasing the switch before the saw head is completely in the down position.** The braking action

of the saw may cause the saw head to be suddenly pulled downward, causing a risk of injury.


Additional Safety Rules for Mitre Saws


-  **WARNING:** Do not connect to the mains power supply into the unit until complete instructions are read and understood.
- **DO NOT OPERATE THIS MACHINE** until it is completely assembled and installed according to the instructions. A machine incorrectly assembled can cause serious injury.
- **OBTAIN ADVICE** from your supervisor, instructor, or another qualified person if you are not thoroughly familiar with the operation of this machine. Knowledge is safety.
- **MAKE CERTAIN** the blade rotates in the correct direction. The teeth on the blade should point in the direction of rotation as marked on the saw.
- **TIGHTEN ALL CLAMP HANDLES**, knobs and levers prior to operation. Loose clamps can cause parts or the workpiece to be thrown at high speeds.
- **BE SURE** all blade and blade clamps are clean, recessed sides of blade clamps are against blade and arbour screw is tightened securely. Loose or improper blade clamping may result in damage to the saw and possible personal injury.
- **DO NOT OPERATE ON ANYTHING OTHER THAN THE DESIGNATED VOLTAGE** for the saw. Overheating, damage to the tool and personal injury may occur.
- **DO NOT WEDGE ANYTHING AGAINST THE FAN** to hold the motor shaft. Damage to tool and possible personal injury may occur.
- **NEVER CUT METALS** or masonry. Either of these can cause the carbide tips to fly off the blade at high speeds causing serious injury.
- **NEVER HAVE ANY PART OF YOUR BODY IN LINE WITH THE PATH OF THE SAW BLADE.** Personal injury will occur.
- **NEVER APPLY BLADE LUBRICANT TO A RUNNING BLADE.** Applying lubricant could cause your hand to move into the blade resulting in serious injury.
- **DO NOT** place either hand in the blade area when the saw is connected to the power source. Inadvertent blade activation may result in serious injury.
- **NEVER REACH AROUND OR BEHIND THE SAW BLADE.** A blade can cause serious injury.
- **DO NOT REACH UNDERNEATH THE SAW** unless it is unplugged and turned off. Contact with saw blade may cause personal injury.
- **SECURE THE MACHINE TO A STABLE SUPPORTING SURFACE.** Vibration can possibly cause the machine to slide, walk, or tip over, causing serious injury.
- **USE ONLY CROSSCUT SAW BLADES** recommended for mitre saws. For best results, do not use carbide tipped blades with hook angles in excess of 7 degrees. Do not use blades with deep gullets. These can deflect and contact the guard, and can cause damage to the machine and/or serious injury.
- **USE ONLY BLADES OF THE CORRECT SIZE AND TYPE** specified for this tool to prevent damage to the machine and/or serious injury (complying with EN847-1).
- **INSPECT BLADE FOR CRACKS** or other damage prior to operation. A cracked or damaged blade can come apart and pieces can be thrown at high speeds, causing serious injury. Replace cracked or damaged blades immediately. Observe the maximum speed marked on the saw blade.
- **THE MAXIMUM SPEED OF THE SAW BLADE** shall always be greater than or at least equal to the speed marked on the rating plate of the tool.
- **THE SAW BLADE DIAMETER** must be in accordance with the markings on rating plate of the tool.
- **CLEAN THE BLADE AND BLADE CLAMPS** prior to operation. Cleaning the blade and blade clamps allows you to check for any damage to the blade or blade clamps. A cracked or damaged blade or blade clamp can come apart and pieces can be thrown at high speeds, causing serious injury.
- **DO NOT USE WARPED BLADES.** Check to see if the blade runs true and is free from vibration. A vibrating blade can cause damage to the machine and/or serious injury.
- **DO NOT** use lubricants or cleaners (particularly spray or aerosol) in the vicinity of the plastic guard. The polycarbonate material used in the guard is subject to attack by certain chemicals.
- **KEEP GUARD IN PLACE** and in working order.
- **ALWAYS USE THE KERF PLATE AND REPLACE THIS PLATE WHEN DAMAGED.** Small chip accumulation under the saw may interfere with the saw blade or may cause instability of workpiece when cutting.
- **USE ONLY BLADE CLAMPS SPECIFIED FOR THIS TOOL** to prevent damage to the machine and/or serious injury.
- **MAKE SURE** to use the correct saw blade for the material to be cut.
- **CLEAN THE MOTOR AIR SLOTS** of chips and sawdust. Clogged motor air slots can cause the machine to overheat, damaging the machine and possibly causing a short which could cause serious injury.
- **NEVER LOCK THE SWITCH IN THE "ON" POSITION.** Severe personal injury may result.
- **NEVER STAND ON TOOL.** Serious injury could occur if the tool is tipped or if the cutting tool is unintentionally contacted.


 **WARNING:** Cutting plastics, sap coated wood, and other materials may cause melted material to accumulate on the blade tips and the body of the saw blade, increasing the risk of blade overheating and binding while cutting.

 **WARNING:** Always wear proper personal hearing protection. Under some conditions and duration of use, noise from this product may contribute to hearing loss. Be aware of the following factors influencing exposure to noise:

- Use saw blades designed to reduce the emitted noise,
- Use only well sharpened saw blades, and
- Use specifically designed noise-reduction saw blades.

 **WARNING:** ALWAYS use safety glasses. Everyday eyeglasses are NOT safety glasses. Also use face or dust mask if cutting operation is dusty.


 **WARNING:** Use of this tool can generate and/or disperse dust, which may cause serious and permanent respiratory or other injury.


 **WARNING:** Some dust created by power sanding, sawing, grinding, drilling, and other construction activities contains chemicals known to cause cancer, birth defects or other reproductive harm. Some examples of these chemicals are:

- lead from lead-based paints,
- crystalline silica from bricks and cement and other masonry products, and
- arsenic and chromium from chemically-treated lumber.

Your risk from these exposures varies, depending on how often you do this type of work. To reduce your exposure to these chemicals: work in a well ventilated area, and work with approved safety equipment, such as those dust masks that are specially designed to filter out microscopic particles.

- **Avoid prolonged contact with dust from power sanding, sawing, grinding, drilling, and other construction activities.** Wear protective clothing and wash exposed areas with soap and water. Allowing dust to get into your mouth, eyes, or lay on the skin may promote absorption of harmful chemicals.

 **WARNING:** Use of this tool can generate and/or disperse dust, which may cause serious and permanent respiratory or other injury. Always use approved respiratory protection appropriate for the dust exposure.

 **WARNING:** We recommend the use of a residual current device with a residual current rating of 30mA or less.

Residual Risks

The following risks are inherent to the use of saws:

- Injuries caused by touching the rotating parts.

In spite of the application of the relevant safety regulations and the implementation of safety devices, certain residual risks cannot be avoided. These are:

- Impairment of hearing.
- Risk of accidents caused by the uncovered parts of the rotating saw blade.
- Risk of injury when changing the blade.
- Risk of squeezing fingers when opening the guards.
- Health hazards caused by breathing dust developed when sawing wood, especially oak, beech and MDF.

The following factors increase the risk of breathing problems:

- No dust extractor connected when sawing wood.
- Insufficient dust extraction caused by uncleaned exhaust filters.


SAVE THESE INSTRUCTIONS

Chargers

DEWALT chargers require no adjustment and are designed to be as easy as possible to operate.

Electrical Safety

The electric motor has been designed for one voltage only. Always check that the battery pack voltage corresponds to the voltage on the rating plate. Also make sure that the voltage of your charger corresponds to that of your mains.

 Your DEWALT charger is double insulated in accordance with EN60335; therefore no earth wire is required.

If the supply cord is damaged, it must be replaced only by DEWALT or an authorised service organisation.

Mains Plug Replacement (U.K. & Ireland Only)

If a new mains plug needs to be fitted:

- Safely dispose of the old plug.
- Connect the brown lead to the live terminal in the plug.
- Connect the blue lead to the neutral terminal.

 **WARNING:** No connection is to be made to the earth terminal.

Follow the fitting instructions supplied with good quality plugs. Recommended fuse: 3 A.

Using an Extension Cable

An extension cord should not be used unless absolutely necessary. Use an approved extension cable suitable for the power input of your charger (see **Technical Data**). The minimum conductor size is 1 mm²; the maximum length is 30 m.


When using a cable reel, always unwind the cable completely.


Important Safety Instructions for All Battery Chargers


SAVE THESE INSTRUCTIONS: This manual contains important safety and operating instructions for compatible battery chargers (refer to **Technical Data**).

- Before using charger, read all instructions and cautionary markings on charger, battery pack, and product using battery pack.

 **WARNING:** Shock hazard. Do not allow any liquid to get inside charger. Electric shock may result.

 **WARNING:** We recommend the use of a residual current device with a residual current rating of 30mA or less.

 **CAUTION:** Burn hazard. To reduce the risk of injury, charge only DEWALT rechargeable batteries. Other types of batteries may burst causing personal injury and damage.

 **CAUTION:** Children should be supervised to ensure that they do not play with the appliance.

NOTICE: Under certain conditions, with the charger plugged into the power supply, the exposed charging contacts inside the charger can be shorted by foreign material. Foreign materials of a conductive nature such as, but not limited to, steel wool, aluminum foil or any buildup of metallic particles should be kept away from charger cavities. Always unplug the charger from the power supply when there is no battery pack in the cavity. Unplug charger before attempting to clean.

- **DO NOT attempt to charge the battery pack with any chargers other than the ones in this manual.** The charger and battery pack are specifically designed to work together.
- **These chargers are not intended for any uses other than charging DEWALT rechargeable batteries.** Any other uses may result in risk of fire, electric shock or electrocution.
- **Do not expose charger to rain or snow.**
- **Pull by plug rather than cord when disconnecting charger.** This will reduce risk of damage to electric plug and cord.
- **Make sure that cord is located so that it will not be stepped on, tripped over, or otherwise subjected to damage or stress.**
- **Do not use an extension cord unless it is absolutely necessary.** Use of improper extension cord could result in risk of fire, electric shock, or electrocution.
- **Do not place any object on top of charger or place the charger on a soft surface that might block the ventilation slots and result in excessive internal heat.** Place the charger in a position away from any heat source. The charger is ventilated through slots in the top and the bottom of the housing.
- **Do not operate charger with damaged cord or plug—have them replaced immediately.**
- **Do not operate charger if it has received a sharp blow, been dropped, or otherwise damaged in any way.** Take it to an authorised service centre.
- **Do not disassemble charger; take it to an authorised service centre when service or repair is required.** Incorrect reassembly may result in a risk of electric shock, electrocution or fire.
- *In case of damaged power supply cord, the supply cord must be replaced immediately by the manufacturer, its service agent or similar qualified person to prevent any hazard.*
- **Disconnect the charger from the outlet before attempting any cleaning.** This will reduce the risk of electric shock. Removing the battery pack will not reduce this risk.
- **NEVER** attempt to connect two chargers together.
- **The charger is designed to operate on standard 230V household electrical power. Do not attempt to use it on any other voltage.** This does not apply to the vehicular charger.







Charging a Battery (Fig. D)

1. Plug the charger into an appropriate outlet before inserting battery pack.
2. Insert the battery pack **16** into the charger, making sure the battery pack is fully seated in the charger. The red (charging) light will blink repeatedly indicating that the charging process has started.
3. The completion of charge will be indicated by the red light remaining ON continuously. The battery pack is fully charged and may be used at this time or left in the charger. To remove the battery pack from the charger, push the battery release button **44** on the battery pack.

NOTE: To ensure maximum performance and life of lithium-ion battery packs, charge the battery pack fully before first use.

Charger Operation

Refer to the indicators below for the charge status of the battery pack.

Charge Indicators		
	Charging	
	Fully Charged	
	Hot/Cold Pack Delay*	

*The red light will continue to blink, but a yellow indicator light will be illuminated during this operation. Once the battery pack has reached an appropriate temperature, the yellow light will turn off and the charger will resume the charging procedure.

The compatible charger(s) will not charge a faulty battery pack. The charger will indicate faulty battery by refusing to light.

NOTE: This could also mean a problem with a charger.

If the charger indicates a problem, take the charger and battery pack to be tested at an authorised service centre.

Hot/Cold Pack Delay

When the charger detects a battery pack that is too hot or too cold, it automatically starts a Hot/Cold Pack Delay, suspending charging until the battery pack has reached an appropriate temperature. The charger then automatically switches to the pack charging mode. This feature ensures maximum battery pack life.

A cold battery pack will charge at a slower rate than a warm battery pack. The battery pack will charge at that slower rate throughout the entire charging cycle and will not return to maximum charge rate even if the battery pack warms.

The DCB118 charger is equipped with an internal fan designed to cool the battery pack. The fan will turn on automatically when the battery pack needs to be cooled. Never operate the charger if the fan does not operate properly or if ventilation slots are blocked. Do not permit foreign objects to enter the interior of the charger.

Electronic Protection System

XR Li-Ion tools are designed with an Electronic Protection System that will protect the battery pack against overloading, overheating or deep discharge.

The tool will automatically turn off if the Electronic Protection System engages. If this occurs, place the lithium-ion battery pack on the charger until it is fully charged.

Wall Mounting

These chargers are designed to be wall mountable or to sit upright on a table or work surface. If wall mounting, locate the charger within reach of an electrical outlet, and away from a corner or other obstructions which may impede air flow. Use the back of the charger as a template for the location of the mounting screws on the wall. Mount the charger securely using drywall screws (purchased separately) at least 25.4 mm long with a screw head diameter of 7–9 mm, screwed into wood to an optimal depth leaving approximately 5.5 mm of the screw exposed. Align the slots on the back of the charger with the exposed screws and fully engage them in the slots.

Charger Cleaning Instructions

WARNING: Shock hazard. Disconnect the charger from the AC outlet before cleaning. Dirt and grease may be removed from the exterior of the charger using a cloth or soft non-metallic brush. Do not use water or any cleaning solutions. Never let any liquid get inside the tool; never immerse any part of the tool into a liquid.

Battery Packs

Important Safety Instructions for All Battery Packs

When ordering replacement battery packs, be sure to include catalogue number and voltage.

The battery pack is not fully charged out of the carton. Before using the battery pack and charger, read the safety instructions below. Then follow charging procedures outlined.

READ ALL INSTRUCTIONS

- **Do not charge or use battery in explosive atmospheres, such as in the presence of flammable liquids, gases or dust.** Inserting or removing the battery from the charger may ignite the dust or fumes.
- **Never force battery pack into charger. Do not modify battery pack in any way to fit into a non-compatible charger as battery pack may rupture causing serious personal injury.**
- Charge the battery packs only in DEWALT chargers.
- **DO NOT** splash or immerse in water or other liquids.
- **Do not store or use the tool and battery pack in locations where the temperature may fall below 4 °C (34 °F) (such as outside sheds or metal buildings in winter), or reach or exceed 40 °C (104 °F) (such as outside sheds or metal buildings in summer).**
- **Do not incinerate the battery pack even if it is severely damaged or is completely worn out.** The battery pack can explode in a fire. Toxic fumes and materials are created when lithium-ion battery packs are burned.
- **If battery contents come into contact with the skin, immediately wash area with mild soap and water.** If battery liquid gets into the eye, rinse water over the open eye for 15 minutes or until irritation ceases. If medical attention is needed, the battery electrolyte is composed of a mixture of liquid organic carbonates and lithium salts.
- **Contents of opened battery cells may cause respiratory irritation.** Provide fresh air. If symptoms persists, seek medical attention.

WARNING: Burn hazard. Battery liquid may be flammable if exposed to spark or flame.

WARNING: Never attempt to open the battery pack for any reason. If battery pack case is cracked or damaged, do not insert into charger. Do not crush, drop or damage battery pack. Do not use a battery pack or charger that has received a sharp blow, been dropped, run over or damaged in any way (i.e., pierced with a nail, hit with a hammer, stepped on). Electric shock or electrocution may result. Damaged battery packs should be returned to service centre for recycling.

WARNING: Fire hazard. Do not store or carry the battery pack so that metal objects can contact exposed battery terminals. For example, do not place the battery pack in aprons, pockets, tool boxes, product kit boxes, drawers, etc., with loose nails, screws, keys, etc.

CAUTION: When not in use, place tool on its side on a stable surface where it will not cause a tripping or falling hazard. Some tools with large battery packs will stand upright on the battery pack but may be easily knocked over.

Transportation

WARNING: Fire hazard. Transporting batteries can possibly cause fire if the battery terminals inadvertently come in contact with conductive materials. When transporting batteries, make sure that the battery terminals are protected and well insulated from materials that could contact them and cause a short circuit. **NOTE:** Lithium-ion batteries should not be put in checked baggage.

DEWALT batteries comply with all applicable shipping regulations as prescribed by industry and legal standards which include UN Recommendations on the Transport of Dangerous Goods; International Air Transport Association (IATA) Dangerous Goods Regulations, International Maritime Dangerous Goods (IMDG) Regulations, and the European Agreement Concerning The International Carriage of Dangerous Goods by Road (ADR). Lithium-ion cells and batteries have been tested to section 38.3 of the UN Recommendations on the Transport of Dangerous Goods Manual of Tests and Criteria.

In most instances, shipping a DEWALT battery pack will be excepted from being classified as a fully regulated Class 9 Hazardous Material. In general, only shipments containing a lithium-ion battery with an energy rating greater than 100 Watt Hours (Wh) will require being shipped as fully regulated Class 9. All lithium-ion batteries have the Watt Hour rating marked on the

pack. Furthermore, due to regulation complexities, DeWALT does not recommend air shipping lithium-ion battery packs alone regardless of Watt Hour rating. Shipments of tools with batteries (combo kits) can be air shipped as excepted if the Watt Hour rating of the battery pack is no greater than 100 Wh.

Regardless of whether a shipment is considered excepted or fully regulated, it is the shipper's responsibility to consult the latest regulations for packaging, labeling/marketing and documentation requirements.

The information provided in this section of the manual is provided in good faith and believed to be accurate at the time the document was created. However, no warranty, expressed or implied, is given. It is the buyer's responsibility to ensure that its activities comply with the applicable regulations.

Transporting the FLEXVOLT™ Battery

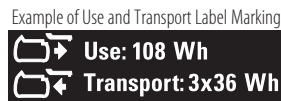
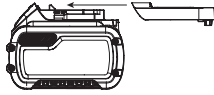
The DeWALT FLEXVOLT™ battery has two modes: **Use** and **Transport**.

Use Mode: When the FLEXVOLT™ battery stands alone or is in a DeWALT 18V product, it will operate as an 18V battery. When the FLEXVOLT™ battery is in a 54V or a 108V (two 54V batteries) product, it will operate as a 54V battery.

Transport Mode: When the cap is attached to the FLEXVOLT™ battery, the battery is in Transport mode. Keep the cap for shipping.

When in Transport mode, strings of cells are electrically disconnected within the pack resulting in 3 batteries with a lower Watt hour (Wh) rating as compared to 1 battery with a higher Watt hour rating. This increased quantity of 3 batteries with the lower Watt hour rating can exempt the pack from certain shipping regulations that are imposed upon the higher Watt hour batteries.

For example, the Transport Wh rating might indicate 3 x 36 Wh, meaning 3 batteries of 36 Wh each. The Use Wh rating might indicate 108 Wh (1 battery implied).



Storage Recommendations

1. The best storage place is one that is cool and dry away from direct sunlight and excess heat or cold. For optimum battery performance and life, store battery packs at room temperature when not in use.
2. For long storage, it is recommended to store a fully charged battery pack in a cool, dry place out of the charger for optimal results.

NOTE: Battery packs should not be stored completely depleted of charge. The battery pack will need to be recharged before use.

Labels on Charger and Battery Pack

In addition to the pictographs used in this manual, the labels on the charger and the battery pack may show the following pictographs:

- Read instruction manual before use.
- See **Technical Data** for charging time.
- Do not probe with conductive objects.
- Do not charge damaged battery packs.
- Do not expose to water.
- Have defective cords replaced immediately
- Charge only between 4 °C and 40 °C.
- Only for indoor use.
- Discard the battery pack with due care for the environment.
- Charge DeWALT battery packs only with designated DeWALT chargers. Charging battery packs other than the designated DeWALT batteries with a DeWALT charger may make them burst or lead to other dangerous situations.
- Do not incinerate the battery pack.
- USE (without transport cap). Example: Wh rating indicates 108 Wh (1 battery with 108 Wh).
- TRANSPORT (with built-in transport cap). Example: Wh rating indicates 3 x 36 Wh (3 batteries of 36 Wh).

Battery Type

The following SKU(s) operate on a 18 volt battery pack: DCS365
 These battery packs may be used: DCB181, DCB182, DCB183, DCB183B, DCB184, DCB184B, DCB185, DCB187, DCB189, DCB546, DCB547, DCB548. Refer to **Technical Data** for more information.

Package Contents

The package contains:

- 1 Mitre saw
- 1 Blade wrench
- 1 Saw blade
- 1 Side handle package
- 1 Dustbag
- 1 Material clamp
- 1 Li-Ion battery pack (C1, D1, L1, M1, P1, S1, T1, X1, Y1 models)
- 2 Li-Ion battery packs (C2, D2, L2, M2, P2, S2, T2, X2, Y2 models)
- 3 Li-Ion battery packs (C3, D3, L3, M3, P3, S3, T3, X3, Y3 models)
- 1 Instruction manual

NOTE: Battery packs, chargers and kitboxes are not included with N models. Battery packs and chargers are not included with NT models. B models include Bluetooth® battery packs.

NOTE: The Bluetooth® word mark and logos are registered trademarks owned by the Bluetooth®, SIG, Inc. and any use of such marks by DeWALT is under license. Other trademarks and trade names are those of their respective owners.

- Check for damage to the tool, parts or accessories which may have occurred during transport.
- Take the time to thoroughly read and understand this manual prior to operation.

Markings on Tool

The following pictographs are shown on the tool:

- Read instruction manual before use.
- Wear ear protection.
- Wear eye protection.
- Keep hands away from blade.
- Visible radiation. Do not stare into light.

Date Code Position (Fig. A)

The date code **24**, which also includes the year of manufacture, is printed into the housing. Example:

2020 XX XX
Year of Manufacture

Description (Fig. A)

WARNING: Never modify the power tool or any part of it. Damage or personal injury could result.

- 1 Trigger switch
- 2 Operating handle
- 3 Mounting holes
- 4 Lower guard
- 5 Mitre lock knob
- 6 Kerf plate
- 7 Mitre arm
- 8 Mitre scale
- 9 Mitre scale screws
- 10 Side handles
- 11 Fence
- 12 Bevel lock knob
- 13 Rails
- 14 Dust port
- 15 Lifting handle
- 16 Battery pack
- 17 XPS™ worklight momentary switch
- 18 Lock off lever
- 19 Rail adjustment screw
- 20 Rail lock knob
- 21 Clamp hole
- 22 Blade wrench
- 23 Lock down pin
- 24 Date code
- 25 Bevel override

Intended Use

Your DeWALT DCS365 cordless sliding compound mitre saw has been designed for professional wood cutting applications. It performs the sawing operations of cross-cutting, bevelling and mitring easily, accurately and safely.

This unit is designed for use with a nominal blade diameter 184 mm carbide tip blade.

NEVER CUT METALS or light alloy, especially magnesium.

DO NOT use under wet conditions or in the presence of flammable liquids or gases.

These mitre saws are professional power tools

DO NOT let children come into contact with the tool. Supervision is required when inexperienced operators use this tool.

- **Young children and the infirm.** This appliance is not intended for use by young children or infirm persons without supervision.
- This product is not intended for use by persons (including children) suffering from diminished physical, sensory or mental abilities; lack of experience, knowledge or skills

unless they are supervised by a person responsible for their safety. Children should never be left alone with this product.

ASSEMBLY AND ADJUSTMENTS

WARNING: To reduce the risk of serious personal injury, turn tool off and disconnect battery pack before making any adjustments or removing/installing attachments or accessories. An accidental start-up can cause injury.

WARNING: Use only DEWALT battery packs and chargers.

Inserting and Removing the Battery Pack from the Tool (Fig. B)

NOTE: Make sure your battery pack **16** is fully charged.

To Install the Battery Pack into the Tool Handle

1. Align the battery pack **16** with the rails inside the tool's handle (Fig. B).
2. Slide it into the handle until the battery pack is firmly seated in the tool and ensure that you hear the lock snap into place.

To Remove the Battery Pack from the Tool

1. Press the release button **44** and firmly pull the battery pack out of the tool handle.
2. Insert battery pack into the charger as described in the charger section of this manual.

Fuel Gauge Battery Packs (Fig. B)

Some DEWALT battery packs include a fuel gauge which consists of three green LED lights that indicate the level of charge remaining in the battery pack.

To actuate the fuel gauge, press and hold the fuel gauge button **26**. A combination of the three green LED lights will illuminate designating the level of charge left. When the level of charge in the battery is below the usable limit, the fuel gauge will not illuminate and the battery will need to be recharged.

NOTE: The fuel gauge is only an indication of the charge left on the battery pack. It does not indicate tool functionality and is subject to variation based on product components, temperature and end-user application.

Familiarization (Fig. A, D, E)

Open the box and lift the saw out (Fig. D) by using the side hand indentations or lifting handle **15**.

Place the saw on a smooth, flat surface such as a workbench or strong table.

Examine Figure A to become familiar with the saw and its various parts. The section on adjustments will refer to these terms and you must know what and where the parts are.

CAUTION: Pinch hazard. To reduce the risk of injury, keep thumb underneath the operating handle when pulling the handle down. The lower guard will move up as the operating handle is pulled down, which could cause pinching. The operating handle is placed close to the guard for special cuts.

Press down lightly on the operating handle **2** and pull out the lock down pin **23**. Gently release the downward pressure and hold the operating handle, allowing it to rise to its full height. Use the lock down pin when carrying the saw from one place to another. Always use the hand indentations or side handles **10** to transport the saw as seen in Figure D. Refer to Figure E and *Installing Side Handles*.

Installing Side Handles (Fig. E)

Your saw comes with two side handles **10** that need to be installed onto the saw as shown in Figure E. Use the 4 screws and 4 nuts provided. Tighten securely with the hex wrench found in the side handle package.

Bench Mounting (Fig. A)

Holes **3** are provided in all 4 feet to facilitate bench mounting, as shown in Figure A. Always mount your saw firmly to a stable surface to prevent movement. To enhance the tool's portability, it can be mounted to a piece of 12.7 mm or thicker plywood which can then be clamped to your work support or moved to other job sites and reclamped.

NOTE: If you elect to mount your saw to a piece of plywood, make sure that the mounting screws don't protrude from the bottom of the wood. The plywood must sit flush on the work support. When clamping the saw to any work surface, clamp only on the clamping bosses where the mounting screw holes are located. Clamping at any other point will interfere with the proper operation of the saw.

CAUTION: To prevent binding and inaccuracy, be sure the mounting surface is not warped or otherwise uneven. If the saw rocks on the surface, place a thin piece of material under one saw foot until the saw sits firmly on the mounting surface.

Changing or Installing a New Saw Blade (Fig. F1–F3)

Refer to *Saw Blades* under **Optional Accessories**.

WARNING: To reduce the risk of serious personal injury, turn tool off and disconnect battery pack before making any adjustments, performing any cleaning or maintenance, or removing/installing attachments or accessories. An accidental start-up can cause injury.

WARNING: To reduce the risk of injury, wear gloves when handling the saw blade.

CAUTION:

- Never depress the spindle lock button (**35**, Fig. F2) while the blade is under power or coasting.
- Do not cut metal, masonry or fiber cement product with this mitre saw.

Removing the Blade (Fig. A, C, F1–3)

1. Remove battery pack (**16**, Fig. C) from the saw.
2. Raise the arm to the upper position and raise the lower guard **4** as far as possible.
3. Loosen, but do not remove the guard bracket rear screw **27** by four revolutions.
4. Loosen, but do not remove the guard bracket front screw (**28**, Fig. F1) until the bracket **29** can be raised far enough to access the blade screw **31**. Lower guard will remain raised due to the position of the guard bracket screw.
5. Depress the spindle lock button (**35**, Fig. F2) while carefully rotating the saw blade **30** by hand until the lock engages.
6. Keeping the button depressed, use the other hand and the T40 side of the wrench provided **22** to loosen the blade screw **31**. (Turn clockwise, left-hand threads.)
7. Remove the blade screw **31** using the T40 side of the wrench provided, the outer clamp washer (**32**, Fig. F3) and blade **30**. The inner clamp washer **33** may be left on the spindle **34**.

Installing a Blade (Fig. C, F1–F3)

1. Remove battery pack (**16**, Fig. C) from the saw.
2. With the arm raised, the lower guard **4** held open and the guard bracket **29** raised, place the blade **30** on the spindle **34** and against the inner clamp washer **33** with the teeth on the blade pointing in the direction of rotation as marked on the saw.
3. Assemble the outer clamp washer **32** onto the spindle **34**.
4. Install the blade screw **31** and, engaging the spindle lock **35**, tighten the screw **31** firmly with wrench **22** provided (turn anticlockwise, left-hand threads).
5. Return the guard bracket **29** to its original full down position and firmly tighten both guard bracket screws (**27**, **28**) to hold bracket in place.

WARNING: The guard bracket must be returned to its original full down position and the guard bracket screws tightened before activating the saw. Failure to do so may prevent the guard from closing or may allow the guard to contact the spinning saw blade resulting in damage to the saw and severe personal injury.

Transporting the Saw (Fig. A)

WARNING: To reduce the risk of serious personal injury, turn tool off and disconnect battery pack before making any adjustments, performing any cleaning or maintenance, or removing/installing attachments or accessories. An accidental start-up can cause injury.

WARNING: To reduce the risk of serious personal injury, always lock the rail lock knob **20**, mitre lock knob **5**, bevel lock knob **12** and lock down pin **23** before transporting saw. (Refer to Figure A.)

In order to conveniently carry the mitre saw from place to place, a lifting handle **15** has been included on the top of the saw arm and side handles **10** on the base, as shown in Figure A.

Storage of Mitre Saw

The mitre saw must be stored in a dry place and locked up securely, out of reach of children or untrained persons.

FEATURES AND CONTROLS

WARNING: To reduce the risk of serious personal injury, turn tool off and disconnect battery pack before making any adjustments, performing any cleaning or maintenance, or removing/installing attachments or accessories. An accidental start-up can cause injury.

Use of XPS™ LED Worklight System (Fig. A)

WARNING: Do not stare at operating lamp.

NOTE: The battery must be charged and connected to the mitre saw.

The XPS™ LED Worklight System can be turned on by the momentary switch **17**. The light will automatically turn off within 20 seconds if the saw is not in use. The light is also activated automatically every time the tool's main trigger **1** is pulled.

To cut through an existing pencil line on a piece of wood, turn on the XPS™ worklight system using the momentary switch **17** (not with the main trigger), then pull down on the operating handle **2** to bring the saw blade close to the wood. The shadow of the blade will appear on the wood. This shadow line represents the material that the blade will remove when performing a cut. To correctly locate your cut to the pencil line, align the pencil line with the edge of the blade's shadow. Keep in mind that you may have to adjust the mitre or bevel angles in order to match the pencil line exactly.

Your saw is equipped with a battery fault feature. The XPS™ worklight begins to flash when the battery is near the end of its useful charge, or when the battery is too hot. Charge the battery prior to continuing cutting applications. Refer to *Charging Procedure* under **Important Safety Instructions for All Battery Packs** for battery charging instructions.

Mitre Lock Knob (Fig. A, J)

The mitre lock knob **5** allows you to mitre your saw to 48° right and 48° left. The mitre latch will automatically locate at 10°, 15°, 22.5°, 31.62° and 45° both left and right.

Bevel Lock Knob (Fig. A, L1, L2)

The bevel lock allows you to bevel the saw 48° to the left. To adjust the bevel setting, turn the bevel lock knob **12** anticlockwise to loosen. To tighten, turn the bevel lock knob clockwise.

Rail Lock Knob (Fig. A)

The rail lock knob **20** allows you to lock the saw head firmly to keep it from sliding on the rails. This is necessary when making certain cuts or when transporting the saw.

Lock Down Pin (Fig. A)

WARNING: The lock down pin should be used only when carrying or storing the saw. NEVER use the lock down pin for any cutting operation.

To lock the saw head in the down position, push the saw head down, push the lock down pin **23** in and release the saw head. This will hold the saw head safely down for moving the saw from place to place. To release, press the saw head down and pull the pin out.

OPERATION

Instructions for Use

WARNING: Always observe the safety instructions and applicable regulations.

WARNING: To reduce the risk of serious personal injury, turn tool off and disconnect battery pack before making any adjustments, performing any cleaning or maintenance, or removing/installing attachments or accessories. An accidental start-up can cause injury.

WARNING: To ensure the blade path is clear of obstructions, always make a dry run of the cut without power before making any cuts on the workpiece.

Proper Body and Hand Position (Fig. G1–G4)

WARNING: To reduce the risk of serious personal injury, ALWAYS use proper hand position as shown in Fig. G1 and G2.

WARNING: To reduce the risk of serious personal injury, ALWAYS hold securely in anticipation of a sudden reaction.

- Add clamps to support the workpiece whenever possible.
- Never place hands near cutting area. Place hands no closer than 100 mm from the blade.
- Hold the workpiece tightly to the table and the fence when cutting. Keep hands in position until the trigger has been released and the blade has completely stopped.
- ALWAYS MAKE DRY RUNS (UNPOWERED) BEFORE FINISH CUTS SO THAT YOU CAN CHECK THE PATH OF THE BLADE. DO NOT CROSS HANDS, AS SHOWN IN FIGURES G3 AND G4.
- Keep both feet firmly on the floor and maintain proper balance. As you move the mitre arm left and right, follow it and stand slightly to the side of the saw blade.
- Sight through the guard louvers when following a pencil line.

Trigger Switch (Fig. H)

To turn the saw on, push the lock-off lever **18** to the left, then depress the trigger switch **1**. The saw will run while the switch is depressed. Allow the blade to spin up to full operating speed before making the cut. To turn the saw off, release the switch. Allow the blade to stop before raising the saw head. There is no provision for locking the switch on. A hole **36** is provided in the trigger for insertion of a padlock to lock the switch off.

Your saw is not equipped with an automatic electric blade brake, but the saw blade should stop within 5 seconds of trigger release. This is not adjustable. If the stop time repeatedly exceeds 5 seconds, have the tool serviced by an authorised DEWALT service centre.

Always be sure the blade has stopped before removing it from the kerf.

Dust Extraction (Fig. A, I)

WARNING: To reduce the risk of serious personal injury, turn tool off and disconnect battery pack before making any adjustments, performing any cleaning or maintenance, or removing/installing attachments or accessories. An accidental start-up can cause injury.

WARNING: Certain dust, such as oak or beech dust, is considered carcinogenic, especially in connection with wood-treatment additives.

- Always use dust extraction.
- Provide for good ventilation of the work space.
- It is recommended to wear an appropriate respirator.

Your saw has a built-in dust port **14** that allows either the supplied dust bag **37** or a shop vacuum system to be connected.

To Attach the Dust Bag

1. Fit the dust bag **37** to the dust port **14** as shown in Figure I.

To Empty the Dust Bag

1. Remove dust bag **37** from the saw and gently shake or tap the dust bag to empty.
2. Reattach the dust bag back onto the dust port **14**.

You may notice that all the dust will not come free from the bag. This will not affect cutting performance but will reduce the saw's dust collection efficiency. To restore your saw's dust collection efficiency, depress the spring inside the dust bag when you are emptying it and tap it on the side of the trash can or dust receptacle.

CAUTION: Never operate this saw unless the dust bag or DEWALT dust extractor is in place. Wood dust may create a breathing hazard.

Cutting with your Saw (Fig. A)

If you cannot secure the workpiece on the table and against the fence by hand (irregular shape, etc.), or your hand would be less than 100 mm from the blade, a clamp or other fixture must be used. Refer to **Clamping the Workpiece** for more information.

If the slide feature is not used, ensure the saw head is pushed back as far as possible and the rail lock knob **20** is tightened. This will prevent the saw from sliding along its rails as the workpiece is engaged.

NOTE: DO NOT CUT METALS OR MASONRY WITH THIS SAW. Do not use any abrasive blades.

NOTE: Refer to **Guard Actuation and Visibility** in the **Adjustments** section for important information about the lower guard before cutting.

Crosscuts

Straight Cut (Fig. A, G1, G2)

A crosscut is made by cutting wood across the grain at any angle. A straight crosscut is made with the mitre arm at the zero degree position. Set and lock the mitre arm at zero, hold the wood firmly on the table and against the fence. With the rail lock knob **20** tightened, turn on the saw by squeezing the trigger switch **1**.

When the saw comes up to speed (about 1 second) lower the arm smoothly and slowly to cut through the wood. Let the blade come to a full stop before raising arm.

When cutting anything larger than a 51 mm x 102 mm, use an out-down-back motion with the rail lock knob **20** loosened. Pull the saw out, toward you, lower the saw head down toward the workpiece, and slowly push the saw back to complete the cut. Do not allow the saw blade to contact the top of the workpiece while pulling out. The saw may run toward you, possibly causing personal injury or damage to the workpiece.

WARNING: Always use a work clamp to maintain control and reduce the risk of workpiece damage and personal injury, if your hands are required to be within 100 mm of the blade during the cut.

NOTE: The rail lock knob **20** shown in Figure A must be loose to allow the saw to slide along its rails.

Mitre Cuts (Fig. J, K)

Mitre crosscuts are made with the mitre arm at some angle other than zero. This angle is often 45° for making corners, but can be set anywhere from zero to 48° left or 48° right. To mitre the saw, loosen the mitre lock knob **5** by turning it anticlockwise. Pull up on the mitre lock knob to move the mitre arm **7** to the mitre angle desired on the mitre scale **8**. Turn the mitre lock knob clockwise to tighten. Make the cut as described above.

When performing a mitre cut on workpieces wider than 51 mm x 102 mm that are shorter in length, always place the longer side against the fence (Fig. K).

To cut through an existing pencil line on a piece of wood, match the angle as close as possible. Cut the wood a little too long and measure from the pencil line to the cut edge to determine which direction to adjust the mitre angle and recut. This will take some practice, but it is a commonly used technique.

Bevel Cuts (Fig. L1, L2)

A bevel cut is a crosscut made with the saw blade leaning at an angle to the wood. In order to set the bevel, loosen the bevel lock knob **12**, and move the saw to the left as desired. Once the desired bevel angle has been set, tighten the bevel lock firmly. Bevel angles can be set from 0° right to 48° left.

To set the bevel angle past 45° to 48°,

1. Loosen the bevel lock knob **12**.
2. Tilt the saw head slightly to slide the bevel override **25** to one side.
3. Move the saw head to 48°.
4. Tighten the bevel lock knob.

Quality of Cut

The smoothness of any cut depends on a number of variables. Things like material being cut, blade type, blade sharpness and rate of cut all contribute to the quality of the cut.

When smoothest cuts are desired for molding and other precision work, a sharp (60 tooth carbide tip) blade and a slower, even cutting rate will produce the desired results.

Ensure that the material does not move or creep while cutting; clamp it securely in place. Always let the blade come to a full stop before raising arm.

If small fibers of wood still split out at the rear of the workpiece, stick a piece of masking tape on the wood where the cut will be made. Saw through the tape and carefully remove tape when finished.

For varied cutting applications, refer to the list of recommended saw blades for your saw and select the one that best fits your needs. Refer to **Saw Blades** under **Optional Accessories**.

Clamping the Workpiece

WARNING: To reduce the risk of serious personal injury, turn tool off and disconnect battery pack before making any adjustments, performing any cleaning or maintenance, or removing/installing attachments or accessories. An accidental start-up can cause injury.

WARNING: A workpiece that is clamped, balanced and secure before a cut may become unbalanced after a cut is completed. An unbalanced load may tip the saw or anything the saw is attached to, such as a table or workbench. When making a cut that may become unbalanced, properly support the workpiece and ensure the saw is firmly bolted to a stable surface. Personal injury may occur.

WARNING: The clamp foot must remain clamped above the base of the saw whenever the clamp is used. Always clamp the workpiece to the base of the saw – not to any other part of the work area. Ensure the clamp foot is not clamped on the edge of the base of the saw.

WARNING: Always use a work clamp to maintain control and reduce the risk of workpiece damage and personal injury, if your hands are required to be within 100 mm of the blade during the cut.

If you cannot secure the workpiece on the table and against the fence by hand (irregular shape, etc.), or your hand would be less than 100 mm from the blade, a clamp or other fixture must be used.

Use the material clamp provided with your saw. To purchase a material clamp, contact your local retailer or DEWALT service centre.

Other aids such as spring clamps, bar clamps or C-clamps may be appropriate for certain sizes and shapes of material. Use care in selecting and placing these clamps. Take time to make a dry run before making the cut.

To Install Clamp (Fig. M)

1. With the clamp **38** facing the back of the mitre saw, insert the clamp rod into the hole **21** behind the fence. Ensure the groove at the bottom of the clamp rod is fully inserted into the hole **21**.
2. Rotate the clamp 180° toward the front of the mitre saw.
3. Loosen the knob to adjust the clamp arm up or down, then use the fine adjust knob to firmly clamp the workpiece.

NOTE: Place the clamp on the opposite side of the base when beveling. ALWAYS MAKE DRY RUNS (UNPOWERED) BEFORE FINISH CUTS TO CHECK THE PATH OF THE BLADE. ENSURE THE CLAMP DOES NOT INTERFERE WITH THE ACTION OF THE SAW OR GUARDS.

ADJUSTMENTS

WARNING: To reduce the risk of serious personal injury, turn tool off and disconnect battery pack before making any adjustments, performing any cleaning or maintenance, or removing/installing attachments or accessories. An accidental start-up can cause injury.

Your mitre saw is fully and accurately adjusted at the factory at the time of manufacture. If readjustment due to shipping and handling or any other reason is required, follow the instructions below to adjust your saw.

Once made, these adjustments should remain accurate. Take a little time now to follow these directions carefully to maintain the accuracy of which your saw is capable.

Mitre Scale Adjustment (Fig. J, N)

Lock the saw head in the down position. Unlock the mitre lock knob **5** and swing the mitre arm **7** until it locks at the 0° mitre position. Do not lock the mitre lock knob. Place a square against the saw's fence and blade, as shown in Figure N. (Do not touch the tips of the blade teeth with the square. To do so will cause an inaccurate measurement.) If the saw blade is not exactly perpendicular to the fence, loosen the three screws (**9**, Fig. J) that hold the mitre scale **8** and move the mitre arm and the scale left or right until the blade is perpendicular to the fence, as measured with the square. Retighten the three screws.

Bevel Square to Table Adjustment (Fig. A, L1, O)

To align the blade square to the table, lock the operating handle in the down position with the lock down pin **23**. Place a square against the blade, ensuring the square is not on top of a tooth. Loosen the bevel lock knob **12** and ensure the bevel arm is firmly against the 0° bevel stop. Rotate the 0° bevel adjustment screw **41** with a 4 mm hex key (not provided) as necessary so that the blade is at 0° bevel to the table, as measured with the square.

Bevel Stop 45° Left Adjustment (Fig. A, L1, L2)

To adjust the left 45° bevel stop, first loosen the bevel lock knob and tilt the head until it stops. Verify that the bevel override **25** is in the 45° position; and if the bevel pointer **40** does not indicate exactly 45°, turn the 45° bevel adjustment screw **42** until the bevel pointer **40** reads 45°.

Guard Actuation and Visibility (Fig. A, X)

CAUTION: Pinch hazard. To reduce the risk of injury, keep thumb underneath the operating handle when pulling the handle down. The lower guard will move up as the operating handle is pulled down, which could cause pinching.

The lower guard **4** on your saw has been designed to automatically uncover the blade when the arm is brought down and to cover the blade when the arm is raised.

Before each use or after making adjustments, cycle the arm (unpowered) and make sure the guard opens smoothly and closes fully. It should not contact the blade. With the arm up, raise the guard (unpowered) as shown in Figure X and release. The guard should fully close rapidly. Do not operate the saw if the guard does not move freely and fully close rapidly. Never clamp or tie the guard in an open position when operating the saw.

The guard can be raised by hand when installing or removing saw blades or for inspection of the saw. NEVER RAISE THE lower GUARD MANUALLY UNLESS THE BLADE IS STOPPED.

NOTE: Certain special cuts of large material will require that you manually raise the guard. Refer to **Cutting Large Material** under **Special Cuts**.

The front section of the guard is louvered for visibility while cutting. Although the louvers dramatically reduce flying debris, there are openings in the guard and safety glasses should be worn at all times.

Rail Guide Adjustment (Fig. A)

Periodically check the rails **13** for any play or clearance. The rails can be cleaned with a dry clean cloth. The right rail can be adjusted with the rail adjustment screw **19** shown in Figure A. To reduce clearance, use a 4 mm hex wrench and rotate the set screw clockwise gradually while sliding the saw head back and forth. Reduce play while maintaining minimum slide force.

Support for Long Pieces

WARNING: To reduce the risk of serious personal injury, turn tool off and disconnect battery pack before making any adjustments, performing any cleaning or maintenance, or removing/installing attachments or accessories. An accidental start-up can cause injury.

ALWAYS SUPPORT LONG PIECES.

Never use another person as a substitute for a table extension, as additional support for a workpiece that is longer or wider than the basic mitre saw table or to help feed, support or pull the workpiece.

Support long workpieces using any convenient means such as sawhorses or similar devices to keep the ends from dropping.

Cutting Picture Frames, Shadow Boxes And Other Four-Sided Projects (Fig. P, Q)

To best understand how to make the items listed here, we suggest that you try a few simple projects using scrap wood until you develop a "feel" for your saw.

Your saw is the perfect tool for mitring corners like the one shown in Figure P. Sketch A in Figure Q shows a joint made by using the bevel adjustment to bevel the edges of the two boards at 45° each to produce a 90° corner. For this joint the mitre arm was locked in the zero position and the bevel adjustment was locked at 45°. The wood was positioned with the broad flat side against the table and the narrow edge against the fence. The cut could also be made by mitring right and left with the broad surface against the fence.

Cutting Trim Molding and Other Frames (Fig. Q)

Sketch B in Figure Q shows a joint made by setting the mitre arm at 45° to mitre the two boards to form a 90° corner. To make this type of joint, set the bevel adjustment to zero and the mitre arm to 45°. Once again, position the wood with the broad flat side on the table and the narrow edge against the fence.

Figures P and Q are for four-sided objects only.

As the number of sides changes, so do the mitre and bevel angles. The chart below gives the proper angles for a variety of shapes.

-- EXAMPLES --	
NUMBER OF SIDES	MITRE OR BEVEL ANGLE
4	45°
5	36°
6	30°
7	25.7°
8	22.5°
9	20°
10	18°

The chart assumes that all sides are of equal length. For a shape that is not shown in the chart, use the following formula: 180° divided by the number of sides equals the mitre (if the material is cut vertically) or bevel angle (if the material is cut laying flat).

Cutting Compound Mitres (Fig. R)

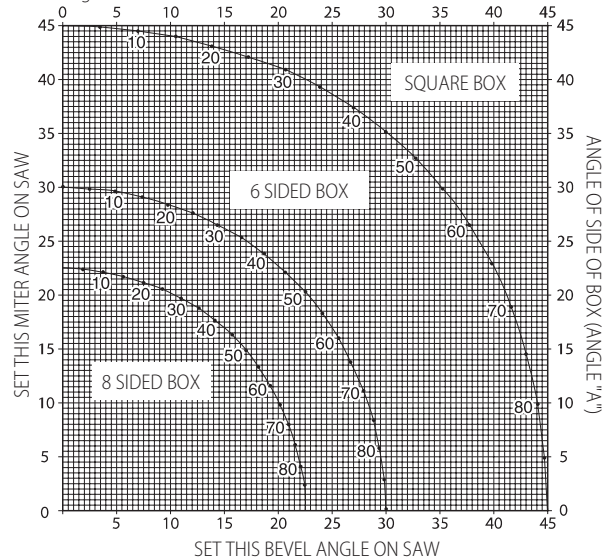
A compound mitre is a cut made using a mitre angle and a bevel angle at the same time. This is the type of cut used to make frames or boxes with slanting sides like the one shown in Figure R.

NOTE: If the cutting angle varies from cut to cut, check that the bevel lock knob and the mitre lock handle are securely locked. These must be locked after making any changes in bevel or mitre.

The table below will assist you in selecting the proper bevel and mitre settings for common compound mitre cuts. To use the chart, select the desired angle A (Fig. R) of your project and locate that angle on the appropriate arc in the chart. From that point follow the chart straight down to find the correct bevel angle and straight across to find the correct mitre angle.

Set your saw to the prescribed angles and make a few trial cuts. Practice fitting the cut pieces together until you develop a feel for this procedure and feel comfortable with it.

Example: To make a 4-sided box with 26° exterior angles (Angle A, Fig. R), use the upper right arc. Find 26° on the arc scale. Follow the horizontal intersecting line to either side to get mitre angle setting on saw (42°). Likewise, follow the vertical intersecting line to the top or bottom to get the bevel angle setting on the saw (18°). Always try cuts on a few scrap pieces of wood to verify the settings on the saw.



Cutting Base Molding (Fig. S)

Straight 90° cuts:

Position the wood against the fence and hold it in place as shown in Figure S. Turn on the saw, allow the blade to reach full speed and lower the arm smoothly through the cut.

Cutting Base Molding Up to 89 mm High Vertically Against the Fence

Position material as shown in Figure S.

All cuts should be made with the back of the molding against the fence and with the bottom of the molding against the table.

	INSIDE CORNER	OUTSIDE CORNER
Left side	Mitre left 45°	Mitre right 45°
	Save left side of cut	Save left side of cut
Right side	Mitre right 45°	Mitre left 45°
	Save right side of cut	Save right side of cut

Material up to 89 mm can be cut as described above. The width of the material cannot exceed 19 mm.

Cutting Crown Molding (Fig. T, U)

In order to fit properly, crown molding must be compound mitred with extreme accuracy.

The two flat surfaces on a given piece of crown molding are at angles that, when added together, equal exactly 90°. Most, but not all, crown molding has a top rear angle (the section that fits flat against the ceiling) of 52° and a bottom rear angle (the part that fits flat against the wall) of 38°.

Your mitre saw has special pre-set mitre detent points at 31.6° left and right for cutting crown molding at the proper angle. There is also a mark on the bevel scale at 33.8°.

The **Bevel Setting/Type of Cut** chart gives the proper settings for cutting crown molding. (The numbers for the mitre and bevel settings are very precise and are not easy to accurately set on your saw.) Since most rooms do not have angles of precisely 90°, you will have to fine tune your settings anyway.

PRETESTING WITH SCRAP MATERIAL IS EXTREMELY IMPORTANT!

Instructions for Cutting Crown Molding Laying Flat and Using the Compound Features

1. Lay the molding with broad back surface down flat on saw table (Fig. T).
2. The settings below are for all Standard (U.S.) crown molding with 52° and 38° angles.

BEVEL SETTING	TYPE OF CUT
33.8°	LEFT SIDE, INSIDE CORNER:
	Top of molding against fence
	Mitre table set right 31.62°
	Save left end of cut
33.8°	RIGHT SIDE, INSIDE CORNER:
	Bottom of molding against fence
	Mitre table set left 31.62°
	Save left end of cut
33.8°	LEFT SIDE, OUTSIDE CORNER:
	Bottom of molding against fence
	Mitre table set left 31.62°
	Save right end of cut
33.8°	RIGHT SIDE, OUTSIDE CORNER:
	Top of molding against fence
	Mitre table set right 31.62°
	Save right end of cut

NOTE: When setting bevel and mitre angles for all compound mitres, remember that the angles presented for crown moldings are very precise and difficult to set exactly. Since they can easily shift slightly and very few rooms have exactly square corners, **all settings should be tested on scrap molding.**

PRETESTING WITH SCRAP MATERIAL IS EXTREMELY IMPORTANT!

Alternative method for Cutting Crown Molding

Place the molding at an angle between the fence **11** and the saw table **43**, as shown in Figure U.

The advantage to cutting crown molding using this method is that no bevel cut is required. Minute changes in the mitre angle can be made without affecting the bevel angle. This way, when corners other than 90° are encountered, the saw can be quickly and easily adjusted for them.

Instructions for Cutting Crown Molding Angled Between the Fence and Base of the Saw for All Cuts

This saw can cut up to 14 mm x 92 mm crown molding nested.

1. Place the molding at an angle between the fence **11** and the saw table **43**, as shown in Figure U.
2. The angled "flats" on the back of the molding must rest squarely on the fence and saw table.

	INSIDE CORNER	OUTSIDE CORNER
Left side	Mitre right at 45°	Mitre left at 45°
	Save right side of cut	Save right side of cut
Right side	Mitre left at 45°	Mitre right at 45°
	Save left side of cut	Save left side of cut

Special Cuts

NEVER MAKE ANY CUT UNLESS THE MATERIAL IS SECURED ON THE TABLE AND AGAINST THE FENCE.

Bowed Material (Fig. V, W)

When cutting bowed material always position it as shown in Figure V and never like that shown in Figure W. Positioning the material incorrectly will cause it to pinch the blade near the completion of the cut.

Cutting Round Material

ROUNDED MATERIAL SHOULD BE CLAMPED OR HELD FIRMLY TO THE FENCE TO KEEP IT FROM ROLLING. This is extremely important when making angle cuts.

Cutting Large Material (Fig. X)

Occasionally you will encounter a piece of wood a little too large to fit beneath the lower guard. To clear the guard over the wood, with the saw off and your right hand on the operating handle, place your right thumb outside of the upper portion of the guard and roll the guard up just enough to clear the wood, as shown in Figure X. Release the guard prior to starting the motor. The guard mechanism will function properly during the cut. Only do this when necessary. **NEVER TIE, TAPE, OR OTHERWISE HOLD THE GUARD OPEN WHEN OPERATING THIS SAW.**

MAINTENANCE

Your power tool has been designed to operate over a long period of time with a minimum of maintenance. Continuous satisfactory operation depends upon proper tool care and regular cleaning.



WARNING: To reduce the risk of serious personal injury, turn tool off and disconnect battery pack before making any adjustments or removing/installing attachments or accessories. An accidental start-up can cause injury.

The charger and battery pack are not serviceable.



Lubrication

Your power tool requires no additional lubrication.



Cleaning



WARNING: Blow dirt and dust out of the main housing with dry air as often as dirt is seen collecting in and around the air vents. Wear approved eye protection and approved dust mask when performing this procedure.



WARNING: Never use solvents or other harsh chemicals for cleaning the non-metallic parts of the tool. These chemicals may weaken the materials used in these parts. Use a cloth dampened only with water and mild soap. Never let any liquid get inside the tool; never immerse any part of the tool into a liquid.

Optional Accessories



WARNING: Since accessories, other than those offered by DEWALT, have not been tested with this product, use of such accessories with this tool could be hazardous. To reduce the risk of injury, only DEWALT recommended accessories should be used with this product..

The following accessories, designed for your saw, may be helpful. In some cases, other locally obtained work supports, length stops, clamps, etc., may be more appropriate. Use care in selecting and using accessories. Consult your dealer for further information on the appropriate accessories.

Saw Blades

ONLY USE 184 mm SAW BLADES WITH 16 mm DIAMETER ROUND ARBOR HOLES and a maximum KERF of 2.1 mm. SPEED RATING MUST BE AT LEAST 4000 RPM. DO NOT USE BLADES WITH DIAMOND-SHAPED ARBOR HOLES. Never use a different diameter blade. It will not be guarded properly. Use crosscut blades only! Do not use blades designed for ripping, combination blades or blades with hook angles in excess of 7°.

BLADE DESCRIPTIONS		
APPLICATION	DIAMETER	TEETH
General Purpose	184 mm	40
Fine Woodcutting	184 mm	60

Protecting the Environment



Separate collection. Products and batteries marked with this symbol must not be disposed of with normal household waste.

Products and batteries contain materials that can be recovered or recycled reducing the demand for raw materials. Please recycle electrical products and batteries according to local provisions. Further information is available at www.2helpU.com.

Rechargeable Battery Pack

This long life battery pack must be recharged when it fails to produce sufficient power on jobs which were easily done before. At the end of its technical life, discard it with due care for our environment:

- Run the battery pack down completely, then remove it from the tool.
- Li-Ion cells are recyclable. Take them to your dealer or a local recycling station. The collected battery packs will be recycled or disposed of properly.

Troubleshooting Guide

BE SURE TO FOLLOW SAFETY RULES AND INSTRUCTIONS

TROUBLE	WHAT'S WRONG?	WHAT TO DO
Saw will not start	Battery not installed	Install battery. Refer to <i>Installing and Removing Battery Pack</i> .
	Battery not charged	Charge battery. Refer to <i>Charging Procedure</i> .
	Brushes worn out	Have brushes replaced by authorised service centre.
Saw makes unsatisfactory cuts	Dull blade	Replace blade. Refer to <i>Changing or Installing a New Saw Blade</i> .
	Blade mounted backwards	Turn blade around. Refer to <i>Changing or Installing a New Saw Blade</i> .
	Gum or pitch on blade	Remove blade and clean with coarse steel wool and turpentine or household oven cleaner.
	Incorrect blade for work being done	Change the blade type. Refer to <i>Saw Blades</i> under <i>Optional Accessories</i> .
XPS™ worklight is flashing	Battery not charged	Charge battery. Refer to <i>Charging Procedure</i> .
Machine vibrates excessively	Saw not mounted securely to stand or work bench	Tighten all mounting hardware. Refer to <i>Bench Mounting</i> .
	Stand or bench on uneven floor	Reposition on flat level surface. Refer to <i>Familiarization</i> .
	Damaged saw blade	Replace blade. Refer to <i>Changing or Installing a New Saw Blade</i> .
Does not make accurate mitre cuts	Mitre scale not adjusted correctly	Check and adjust. Refer to <i>Mitre Scale Adjustment</i> under <i>Adjustments</i> .
	Blade is not square to fence	Check and adjust. Refer to <i>Mitre Scale Adjustment</i> under <i>Adjustments</i> .
	Blade is not perpendicular to table	Check and adjust fence. Refer to <i>Bevel Square to Table Adjustment</i> under <i>Adjustments</i> .
	Workpiece moving	Clamp workpiece securely to fence or glue 120 grit sandpaper to fence with rubber cement.
	Kerf plate worn or damaged	Take to authorised service centre.
Material pinches blade	Cutting bowed material	Refer to <i>Bowed Material</i> under <i>Special Cuts</i> .

АККУМУЛЯТОРНАЯ ТОРЦОВОЧНАЯ ПИЛА DCS365

Поздравляем!

Вы приобрели инструмент DEWALT. Многолетний опыт, тщательная разработка изделий и инновации делают компанию DEWALT одним из самых надёжных партнеров для пользователей профессионального электроинструмента.

Технические характеристики

		DCS365
Напряжение	В пост. тока	18
Тип		1
Тип батареи		Ионно-литиевая
Диаметр диска	мм	184
Диаметр посадочного отверстия	мм	16
Толщина диска	мм	1
Макс. скорость вращения диска	об/мин.	3750
Макс. поперечный рез под углом 90°	мм	50
Макс. глубина реза со скосом 45°	мм	35,3
Скос (макс. положения)	влево	45°
	вправо	45°
Наклон (макс. положения)	влево	48°
	вправо	0°
Скос 0°		
Фактическая ширина распилы при макс. высоте заготовки 50 мм	мм	250
Фактическая высота заготовки при макс. ширине распилы 90 мм	мм	15
Скос 45° влево		
Фактическая ширина распилы при макс. высоте заготовки 50 мм	мм	176
Фактическая высота заготовки при макс. ширине распилы 90 мм	мм	8
Скос 45° вправо		
Фактическая ширина распилы при макс. высоте заготовки 50 мм	мм	176
Фактическая высота заготовки при макс. ширине распилы 90 мм	мм	8
Наклон 45° влево		
Фактическая ширина распилы при макс. высоте заготовки 35 мм	мм	250
Время автоматического торможения диска	сек.	< 10
Вес без аккумуляторной батареи	кг	10,5
Сумма величин шума и вибрации (сумма векторов по трём осям), измеренных в соответствии со стандартом EN62841-3-9:		
L _{PA} (уровень звукового давления)	дБ(А)	88
L _{WA} (уровень акустической мощности)	дБ(А)	93
K (погрешность для заданного уровня мощности)	дБ(А)	2,0
Значение вибрационного воздействия a _H =		
	м/сек ²	<2,5
Погрешность K =		
	м/сек ²	1,5

Значение шумовой эмиссии и/или эмиссии вибрации, указанное в данном справочном листке, было получено в соответствии со стандартным тестом, приведенным в EN62841, и может использоваться для сравнения инструментов. Кроме того, оно может использоваться для предварительной оценки воздействия вибрации.

ОСТОРОЖНО! Заявленное значение шумовой эмиссии и/или эмиссии вибрации относится к основным областям применения инструмента. Однако, если инструмент используется для различных целей, с различными дополнительными принадлежностями или при ненадлежащем уходе, то уровень шума и/или вибрации может измениться. Это может привести к значительному увеличению уровня воздействия вибрации в течение всего рабочего периода.

При расчете приблизительного значения уровня воздействия шума и/или вибрации также необходимо учитывать время, когда инструмент выключен или то время, когда он работает на холостом ходу. Это может привести к значительному снижению уровня воздействия вибрации в течение всего рабочего периода.

Определите дополнительные меры техники безопасности для защиты оператора от воздействия шума и/или вибрации, а именно: поддержание инструмента и дополнительных принадлежностей в рабочем состоянии, создание комфортных условий работы (соответствующих вибрации), хорошая организация рабочего места.

Декларация о соответствии нормам ЕС

Директива по механическому оборудованию



Аккумуляторная скользящая универсальная торцовочная пила
DCS365

DEWALT заявляет, что продукция, описанная в разделе «Технические характеристики» соответствует:

2006/42/EC, EN62841-1:2015/AC:2015; EN62841-3-9:2015 + AC:2016 + A11:2017.

Эти продукты также соответствуют Директивам 2014/30/EU и 2011/65/EU. Для получения дополнительной информации обратитесь в компанию DEWALT по адресу, указанному ниже или приведенному на задней стороне обложки руководства.

Нижеподписавшийся несет ответственность за составление технической документации и составил данную декларацию по поручению компании DEWALT.

Маркус Ромпел
Вице-президент по инженерным разработкам, PTE-Europe
DEWALT, Richard-Klinger-Straße 11,
D-65510, Idstein, Germany
01.11.2019



ВНИМАНИЕ: Во избежание риска получения травм ознакомьтесь с инструкцией.

Обозначения: правила техники безопасности

Ниже описывается уровень опасности, обозначаемый каждым из предупреждений. Прочитайте руководство и обратите внимание на данные символы.



ОПАСНО: Обозначает опасную ситуацию, которая неизбежно приведет к серьезной травме или смертельному исходу, в случае несоблюдения соответствующих мер безопасности.



ВНИМАНИЕ: Указывает на потенциально опасную ситуацию, которая, в случае несоблюдения соответствующих мер безопасности, может привести к серьезной травме или смертельному исходу.



ПРЕДУПРЕЖДЕНИЕ: Указывает на потенциально опасную ситуацию, которая, в случае несоблюдения соответствующих мер безопасности может стать причиной травм средней или легкой степени тяжести.

ПОЯСНЕНИЕ: Указывает на практики, использование которых не связано с получением травмы, но если ими пренебречь, могут привести к порче имущества.



Указывает на риск поражения электрическим током.



Указывает на риск возгорания.

ОБЩИЕ ПРАВИЛА ТЕХНИКИ БЕЗОПАСНОСТИ ПРИ ИСПОЛЬЗОВАНИИ ЭЛЕКТРОИНСТРУМЕНТОВ



ВНИМАНИЕ: Прочитайте и просмотрите все предупреждения, инструкции, иллюстрации и спецификации по данному электроинструменту. Несоблюдение всех приведенных ниже инструкций может стать причиной поражения электрическим током, возгорания и/или тяжелой травмы.

СОХРАНИТЕ ВСЕ ИНСТРУКЦИИ ДЛЯ ПОСЛЕДУЮЩЕГО ИСПОЛЬЗОВАНИЯ

Термин «электроинструмент» в предупреждениях относится к работающим от сети (проводным) электроинструментам или работающим от аккумуляторной батареи (беспроводным) электроинструментам.

1) Безопасность на рабочем месте

- Следите за чистотой и хорошим освещением на рабочем месте.** Захламленное или плохо освещенное рабочее место может стать причиной несчастного случая.
- Запрещается работать с электроинструментами во взрывоопасных местах, например, вблизи легковоспламеняющихся жидкостей, газов и пыли.** Искры, которые появляются при работе электроинструментов могут привести к воспламенению пыли или паров.
- Следите за тем, чтобы во время работы с электроинструментом в зоне работы не было посторонних и детей.** Отвлекаясь от работы вы можете потерять контроль над инструментом.

2) Электробезопасность

- Штепсельная вилка электроинструмента должна соответствовать розетке. Никогда не меняйте вилку инструмента. Запрещается использовать переходники к вилкам для электроинструментов с заземлением.** Использование оригинальных штепсельных вилок, соответствующих типу сетевой розетки снижает риск поражения электрическим током.
- Избегайте контакта с заземленными поверхностями, такими как трубы, радиаторы и холодильники.** Если вы будете заземлены, увеличивается риск поражения электрическим током.
- Запрещается оставлять электроинструмент под дождем и в местах повышенной влажности.** При попадании воды в электроинструмент риск поражения электротоком возрастает.
- Берегите кабель от повреждений. Никогда не используйте кабель для переноски инструмента, не тяните за него, пытайтесь отключить**

Батареи				Зарядные устройства/время зарядки (мин)									
Кат. №	V _{нопт. тока}	Ah	Вес (kg)	DCB104	DCB107	DCB112	DCB113	DCB115	DCB116	DCB117	DCB118	DCB132	DCB119
DCB546	18/54	6,0/2,0	1,05	60	270	170	140	90	80	40	60	90	X
DCB547	18/54	9,0/3,0	1,46	75*	420	270	220	135*	110*	60	75*	135*	X
DCB548	18/54	12,0/4,0	1,44	120	540	350	300	180	150	80	120	180	X
DCB181	18	1,5	0,35	22	70	45	35	22	22	22	22	22	45
DCB182	18	4,0	0,61	60/40**	185	120	100	60	60/45**	60/40**	60/40**	60	120
DCB183/B	18	2,0	0,40	30	90	60	50	30	30	30	30	30	60
DCB184/B	18	5,0	0,62	75/50**	240	150	120	75	75/60**	75/50**	75/50**	75	150
DCB185	18	1,3	0,35	22	60	40	30	22	22	22	22	22	X
DCB187	18	3,0	0,54	45	140	90	70	45	45	45	45	45	90
DCB189	18	4,0	0,54	60	185	120	100	60	60	60	60	60	120

*Код даты 201811475В или новее

**Код даты 201536 или новее

инструмент от сети. Держите кабель подальше от источников тепла, масла, острых углов или движущихся предметов. Поврежденный или запутанный кабель питания повышаает риск поражения электрическим током.

- e) При работе с электроинструментом на открытом воздухе используйте удлинитель, подходящий для использования на улице. Использование кабеля питания, предназначенного для использования вне помещения, снижает риск поражения электрическим током.
- f) Если использование электроинструмента в условиях повышенной влажности неизбежно, используйте устройства защитного отключения (УЗО) для защиты сети. Использование УЗО сокращает риск поражения электрическим током.

3) Обеспечение индивидуальной безопасности

- a) Будьте внимательны, смотрите, что делаете и не забывайте о здравом смысле при работе с электроинструментом. Запрещается работать с электроинструментом в состоянии усталости, наркотического, алкогольного опьянения или под воздействием лекарственных препаратов. Невнимательность при работе с электроинструментом может привести к серьезным телесным повреждениям.
- b) Используйте индивидуальные средства защиты. Всегда используйте защитные очки. Средства защиты, такие как пылезаститная маска, обувь с нескользящей подошвой, каска и защитные наушники, используемые при работе, уменьшают риск получения травм.
- c) Примите меры для предотвращения случайного включения. Перед тем как подключить электроинструмент к сети и/или аккумуляторной батарее, взять инструмент или перенести его на другое место, убедитесь в том, что выключатель находится в положении «выкл.». Если при переносе электроинструмента он подключен к сети, и при этом ваш палец находится на выключателе, это может стать причиной несчастных случаев.
- d) Уберите все регулировочные или гаечные ключи перед включением электроинструмента. Ключ, оставленный на вращающейся части электроинструмента, может привести к травме.
- e) Не пытайтесь дотянуться до слишком удаленных поверхностей. Обувь должна быть удобной, чтобы вы всегда могли сохранять равновесие. Это позволит лучше контролировать электроинструмент в непредвиденных ситуациях.
- f) Одевайтесь соответствующим образом. Избегайте носить свободную одежду и ювелирные украшения. Следите за тем, чтобы волосы и одежда не попадали под движущиеся детали. Возможно наматывание свободной одежды, ювелирных изделий и длинных волос на движущиеся детали.
- g) При наличии устройств для подключения оборудования для удаления и сбора пыли необходимо обеспечить правильность их подключения и эксплуатации. Использование устройства для пылеудаления сокращает риски, связанные с пылью.
- h) Не позволяйте хорошему знанию от частого использования инструментов стать причиной самонадеянности и игнорирования правил техники безопасности. Небрежное действие может повлечь серьезные травмы за долю секунды.

4) Эксплуатация электроинструмента и уход за ним

- a) Избегайте чрезмерной нагрузки электроинструмента. Используйте электроинструмент в соответствии с назначением. Правильно подобранный электроинструмент выполнит работу более эффективно и безопасно при стандартной нагрузке.
- b) Не пользуйтесь инструментом, если не работает выключатель. Любой инструмент, управляемый выключением и включением которого невозможно, опасен, и его необходимо отремонтировать.
- c) Перед выполнением любых настроек, сменой аксессуаров или прежде чем убрать инструмент на хранение, отключите его от сети и/или снимите с него аккумуляторную батарею, если ее можно снять. Такие превентивные меры безопасности сокращают риск случайного включения электроинструмента.
- d) Храните электроинструмент в недоступном для детей месте и не позволяйте работать с инструментом людям, не имеющим соответствующих навыков работы с такого рода инструментами. Электроинструмент представляет опасность в руках неопытных пользователей.

- e) Поддерживайте электроинструмент и принадлежности в исправном состоянии. Проверьте, не нарушена ли центровка или не заклинены ли движущиеся детали, нет ли поврежденных или иных неисправностей, которые могли бы повлиять на работу электроинструмента. В случае обнаружения повреждений, прежде чем приступить к эксплуатации электроинструмента, его нужно отремонтировать. Большинство несчастных случаев происходит из-за электроинструментов, которые не обслуживаются должным образом.
- f) Содержите режущий инструмент в остро заточенном и чистом состоянии. Вероятность заклинивания инструмента, за которым следят должным образом и который хорошо заточен, значительно меньше, а работать с ним легче.
- g) Используйте электроинструменты, принадлежности и насадки в соответствии с данными инструкциями, принимая во внимание условия работы и характер выполняемой работы. Использование электроинструмента для выполнения операций, для которых он не предназначен, может привести к созданию опасных ситуаций.
- h) Все рукоятки и поверхности захватывания должны быть сухими и без следов смазки. Скользкие рукоятки и поверхности захватывания не позволяют обеспечить безопасность работы и управления инструментом в непредвиденных ситуациях.

5) Использование аккумуляторных электроинструментов и уход за ними

- a) Используйте для зарядки аккумуляторной батареи только указанное производителем зарядное устройство. Использование зарядного устройства определенного типа для зарядки других батарей может привести к возгоранию.
- b) Используйте для электроинструмента только батареи указанного типа. Использование других аккумуляторных батарей может стать причиной травмы и пожара.
- c) Оберегайте батарею от попадания в нее скрепок, монет, ключей, гвоздей, болтов или других мелких металлических предметов, которые могут вызывать замыкание контактов. Короткое замыкание контактов аккумуляторной батареи может привести к пожару или получению ожогов.
- d) При повреждении батареи, из нее может вытечь электролит. Не прикасайтесь к нему. При случайном контакте с электролитом смейте его водой. При попадании электролита в глаза обратитесь за медицинской помощью. Жидкость, находящаяся внутри батареи, может вызвать раздражение или ожоги.
- e) Не используйте поврежденные или измененные аккумуляторные батареи или инструменты. Поврежденные или измененные аккумуляторные батареи могут работать непредсказуемо, что может привести к возгоранию, взрыву или риску получения травм.
- f) Не подвергайте аккумуляторные батареи или инструмент воздействию огня или повышенной температуры. Открытый огонь или воздействие высокой температуры выше 130 °C может привести к взрыву.
- g) Следуйте всем инструкциям по зарядке и не заряжайте аккумуляторную батарею или инструмент вне температурного диапазона, указанного в инструкции. Неправильная зарядка или зарядка вне указанного температурного диапазона может привести к повреждению батареи и увеличить риск возгорания.

6) Обслуживание

- a) Обслуживание электроинструмента должен проводить квалифицированный специалист с использованием только оригинальных запасных частей. Это позволит обеспечить безопасность обслуживаемого электрифицированного инструмента.
- b) Не выполняйте обслуживание поврежденных аккумуляторных батарей. Обслуживание аккумуляторных батарей должно выполняться только производителем или авторизованными поставщиками услуг.

Инструкции по технике безопасности для торцовочных пил

- a) Торцовочные пилы предназначены для распиловки древесины или изделий из дерева; их нельзя использовать с абразивными отрезными кругами для резки материалов, содержащих черные металлы, таких как болванки, прутья, заклепки и пр. Абразивная пыль приводит к заклиниванию

движущихся частей наподобие нижнего защитного кожуха. Искры от абразивной резки сожгут нижний защитный кожух, пластину для пропила и другие детали из пластмассы.

- b) По мере возможности используйте зажимы, чтобы поддерживать заготовку. При поддержке заготовки рукой, всегда держите руку на расстоянии в по крайней мере 100 мм от обеих сторон пильного диска. Не используйте эту пилу для резки заготовок, которые слишком малы, чтобы их надежно зафиксировать или удерживать рукой. Если ваша рука расположена слишком близко к пильному диску, то это создает повышенные риск получения травмы от контакта с диском.
- c) Заготовка должна быть неподвижной и зафиксированной по отношению к направляющей и столу. Никогда не подавайте под движущийся пильный диск и не выполняйте распил «от руки». Незафиксированные или подвижные заготовки могут быть выброшены с высокой скоростью, что может повлечь за собой травмы.
- d) Толкайте пилу от себя по заготовке. Не тяните пилу через заготовку на себя. Чтобы выполнить распил, поднимите головку пилы и вытяните ее над заготовкой без распила, запустите электродвигатель, опустите головку пилы и толкайте пилу от себя по заготовке. Попытка выполнить распил во время вытягивания с большой вероятностью приведет к тому, что пильный диск выскочит вверх из заготовки, а узел диска будет резко отброшен в сторону оператора.
- e) Ни в коем случае не пересекайте линию предполагаемого реза рукой перед или за пильным диском. Удерживание заготовки «крест-накрест», т. е. удерживая заготовку справа от пильного диска левой рукой или наоборот, является очень опасным.
- f) Не пытайтесь дотянуться до задней стороны направляющей и не подносите руки на расстояние ближе 100 мм от каждой стороны пильного диска, чтобы удалить обрезки древесины или по какой-либо другой причине, пока диск вращается. Расстояние до пильного диска может быть меньше, чем кажется, в результате чего создается риск тяжелых травм.
- g) Проверьте свои заготовки перед распиловкой. Если заготовка искривлена или изогнута, зафиксируйте ее внешней изогнутой стороной лицом к направляющей. Всегда проверяйте отсутствие зазора между заготовкой, направляющей и столом по линии реза. Пognутые или искривленные заготовки могут перекошиться или сместиться, что может заклинить пильный диск во время резки. В заготовке не должно быть гвоздей или посторонних предметов.
- h) Не используйте пилу, пока не очистите стол от всех инструментов, обрезков и всего прочего, кроме заготовки. Мелкий мусор или куски древесины или другие предметы, касающиеся вращающегося диска, могут быть отброшены с высокой скоростью.
- i) Распиливайте по одной заготовке за раз. Уложенные рядом несколько заготовок невозможно зафиксировать или закрепить, что может привести к заклиниванию диска или смещению во время распиловки.
- j) Убедитесь, что торцовочная пила расположена на ровной, твердой рабочей поверхности во время использования. Ровная и твердая рабочая поверхность снижает риск неустойчивости торцовочной пилы.
- k) Планируйте свою работу. При каждом изменении настроек угла наклона или скоса, убедитесь, что регулируемая направляющая правильно установлена, чтобы поддерживать заготовку и не мешать диску или системе защитных кожухов. Не включая инструмент и без заготовки на столе, проведите пильный диск по воображаемой линии реза, чтобы убедиться в отсутствии помех или риска разрезать направляющую.
- l) Обеспечьте достаточную опору с помощью удлинений стола, пильных козлов и т. п. для заготовок, которые шире или длиннее столешницы. Не поддерживаемые должным образом заготовки, длина или ширина которых больше распиловочного стола, во время пиления могут подняться или наклониться. Приподнявшаяся заготовка или отрезная часть заготовки может поднять нижний защитный кожух или может быть отброшена в сторону вращающимся пильным диском.
- m) Не используйте других лиц в качестве замены удлинения стола или в качестве дополнительной опоры. Неустойчивая опора для заготовки может привести к заклиниванию диска или к смещению заготовки по время распиловки, что может затянуть и вас, и помощника под вращающийся диск.
- n) Обрезки не следует зажимать или прижимать каким-либо образом к вращающемуся пильному диску. Если зажать отрезной конец, например, ограничителями длины, он может попасть под диск и быть резко отброшен в сторону.
- o) Всегда используйте соответствующие зажимы или фиксаторы для надлежащей поддержки круглых материалов, таких как брусья или трубы. Брусья имеют свойство катиться при распиловке, что приводит к заклиниванию диска внутри и втягиванию заготовки вместе с вашей рукой под диск.
- p) Перед подачей заготовки дождитесь, пока двигатель наберет полные обороты. Это снижает риск отбрасывания заготовки.
- q) Если заготовка или диск застряли, выключите торцовочную пилу. Дождитесь остановки всех движущихся частей, отсоедините вилку от источника питания и/или извлеките батарею. Затем высвободите застрявший материал. Продолжение распиловки с застрявшей заготовкой может привести к потере контроля или повреждению торцовочной пилы.

- r) По завершении распиловки, опустите выключатель, удерживайте головку пилы в опущенном положении и дождитесь останова диска, прежде чем начать уборку обрезков. Не держите руку рядом с диском во время выбега, так как это представляет опасность.
- s) Крепко удерживайте рукоятку при выполнении неполного реза или при отпускании выключателя до того, как головка пилы будет в полностью опущенном положении. Торможение пилы может привести к резкому затягиванию головки пилы вниз, что создает риск получения травмы.

Дополнительные правила техники безопасности для торцовочных пил

- ⚠ ВНИМАНИЕ:** Не подключайте инструмент к источнику питания до полного прочтения и понимания инструкций.
- НЕ ИСПОЛЬЗУЙТЕ ДАННЫЙ ИНСТРУМЕНТ** до завершения сборки и установки в соответствии с инструкциями. Неправильная сборка устройства может стать причиной серьезной травмы.
 - ПОЛУЧИТЕ КОНСУЛЬТАЦИЮ** опытного оператора, инструктора или другого квалифицированного лица, если у вас недостаточно опыта для работы с данным инструментом. Знание есть безопасность.
 - УБЕДИТЕСЬ, ЧТО** диск вращается в правильном направлении. Зубья на диске должны быть направлены в сторону направления вращения, как указано на пиле.
 - ЗАТЯНИТЕ ВСЕ РУКОЯТКИ ЗАЖИМОВ**, ручки и рычаги перед работой. Ослабевшие зажимы могут привести к выбросу частей заготовки на высокой скорости.
 - УБЕДИТЕСЬ, ЧТО** все диски и зажимы дисков чисты, утопленные стороны зажимов диска прижаты к диску, а распорный винт надежно затянут. Слабое или неправильное зажатие диска может повлечь за собой повреждение пилы и нанести травмы.
 - НЕ РАБОТАЙТЕ С НАПРЯЖЕНИЕМ, ОТЛИЧНЫМ ОТ УКАЗАННОГО** для пилы. Это может привести к перегреву, повреждению инструмента и травмам.
 - НЕ ЗАКЛИНИВАЙТЕ КАКИМИ-ЛИБО ПРЕДМЕТАМИ КРЫЛЬЧАТКУ ВЕНТИЛЯТОРА** для удерживания вала двигателя. Это может привести к повреждению инструмента и травмам.
 - НИ В КОЕМ СЛУЧАЕ НЕ РАЗРЕЗАЙТЕ МЕТАЛЛЫ** или каменную кладку. Распиловка этих материалов может привести к вылету твердосплавных наконечников с диска с высокой скоростью и серьезным травмам.
 - НИКОГДА НЕ ДОПУСКАЙТЕ НАХОЖДЕНИЯ КАКОЙ-ЛИБО ЧАСТИ ТЕЛА В ОДНОЙ ПЛОСКОСТИ С ДИСКОМ.** Это может привести к травмам.
 - НИКОГДА НЕ НАНОСИТЕ СМАЗКУ НА ДВИЖУЩИЙСЯ ДИСК.** Нанесение смазки может затянуть вашу руку в диск, что приведет к серьезным травмам.
 - НЕ ДЕРЖИТЕ** руки рядом с диском в то время, когда пила подключена к источнику питания. Случайный запуск диска может привести к серьезным травмам.
 - НИКОГДА НЕ ДЕРЖИТЕ РУКИ РЯДОМ ИЛИ ЗА ПИЛЬНЫМ ДИСКОМ.** Диск может стать причиной серьезных травм.
 - НЕ ДЕРЖИТЕ РУКИ ПОД ПИЛОЙ, ЕСЛИ ОНА НЕ ВЫКЛЮЧЕНА И НЕ ОТСОЕДИНЕНА** от источника питания. Соприкосновение с диском может привести к травме.
 - ЗАКРЕПИТЕ ИНСТРУМЕНТ НА УСТОЙЧИВОЙ ОПОРНОЙ ПОВЕРХНОСТИ.** Вибрация может привести к скольжению, смещению или опрокидыванию устройства, что может привести к серьезным травмам.
 - ИСПОЛЬЗУЙТЕ ТОЛЬКО ПИЛЬНЫЕ ДИСКИ ДЛЯ ПОПЕРЕЧНЫХ РАСПИЛОВ,** рекомендованные для торцовочных пил. Для достижения наилучших результатов не используйте пильные диски с твердосплавными напайками, угол зубьев которых превышает 7 градусов. Не используйте диски с глубокими впадинами между зубьями. Они могут отскочить и соприкоснуться с защитным кожухом и привести к повреждению инструмента и/или серьезным травмам.
 - ИСПОЛЬЗУЙТЕ ТОЛЬКО ДИСКИ ПРАВИЛЬНОГО РАЗМЕРА И ТИПА,** указанного для данного инструмента, чтобы предотвратить повреждение устройства и/или серьезные травмы (согласно EN847-1).
 - ПРОВЕРЯЙТЕ ДИСКИ НА НАЛИЧИЕ ТРЕЩИН** или других повреждений перед работой. Треснувший или поврежденный диск может разрушиться с выбросом фрагментов с высокой скоростью, что может привести к серьезным травмам. Немедленно замените треснувшие и поврежденные диски. Соблюдайте максимальную скорость, указанную на пильном диске.
 - МАКСИМАЛЬНАЯ УКАЗАННАЯ СКОРОСТЬ ДИСКА** всегда должна быть больше или хотя бы равной скорости, указанной на паспортной табличке инструмента.
 - ДИАМЕТР ПИЛЬНОГО ДИСКА** должен соответствовать обозначениям на паспортной табличке инструмента.
 - ОЧИЩАЙТЕ ДИСКИ И ЗАЖИМЫ ДИСКА** перед эксплуатацией. Очистка диска и зажимов диска позволяет вам проверять наличие повреждений диска или зажимов диска. Треснувший или поврежденный диск или зажим диска могут разрушиться с выбросом фрагментов с высокой скоростью, что может привести к серьезным травмам.
 - НЕ ИСПОЛЬЗУЙТЕ ИСКРИВЛЕННЫЕ ДИСКИ.** Убедитесь, что диск вращается плавно и без вибраций. Вибрирующий диск может привести к повреждению устройства и/или серьезным травмам.
 - НЕ ИСПОЛЬЗУЙТЕ** смазочные или чистящие вещества (в частности, спрей или аэрозоль) в непосредственной близости от пластикового защитного кожуха. Поликарбонат, используемый в материале защитного кожуха, может повредиться под воздействием некоторых химических веществ.

- **СЛЕДИТЕ, ЧТОБЫ ЗАЩИТНЫЙ КОЖУХ ВСЕГДА БЫЛ УСТАНОВЛЕН НА ИНСТРУМЕНТ** и находился в хорошем рабочем состоянии.
- **ВСЕГДА ИСПОЛЬЗУЙТЕ ПЛАСТИНУ ДЛЯ ПРОПИЛКИ И ЗАМЕНЯЙТЕ ЕЕ ПРИ НАЛИЧИИ ПОВРЕЖДЕНИЙ.** Скопление мелкой щепы под пилой может помешать работе пильного диска или нарушить устойчивость заготовки во время распиловки.
- **ИСПОЛЬЗУЙТЕ ТОЛЬКО ЗАЖИМЫ ДИСКА, ПРЕДНАЗНАЧЕННЫЕ ДЛЯ ДАННОГО ИНСТРУМЕНТА,** чтобы предотвратить повреждение инструмента и/или серьезные травмы.
- **УБЕДИТЕСЬ,** что перед началом работы подобрали правильный диск в соответствии с материалом.
- **ОЧИЩАЙТЕ ВЕНТИЛЯЦИОННЫЕ ОТВЕРСТИЯ ДВИГАТЕЛЯ** от щепы и пыли. Забитые вентиляционные отверстия могут привести к перегреву устройства, что может повлечь за собой повреждения устройства и привести к короткому замыканию, которое может привести к серьезным травмам.
- **НИКОГДА НЕ ФИКСИРУЙТЕ ВЫКЛЮЧАТЕЛЬ В ПОЛОЖЕНИИ ВКЛЮЧЕНИЯ.** Это может привести к серьезной травме.
- **НИКОГДА НЕ ВСТАВАЙТЕ НА ИНСТРУМЕНТ.** Если вы перевернете инструмент или если случайно соприкоснетесь с режущим инструментом, это может привести к серьезным травмам.

ВНИМАНИЕ: Резка пластмассы, пропитанной древесины и других материалов может привести к накоплению расплавленного материала на края диска и корпусу пильного диска, что увеличивает риск перегрева и заклинивания во время резки.

ВНИМАНИЕ: Всегда надевайте защитные наушники. В некоторых условиях и во время использования шум данного инструмента может стать причиной нарушения слуха. Учитывайте следующие факторы, влияющие на уровень шума:

- Используйте пильные диски с пониженным шумовыделением,
- Используйте только хорошо заточенные диски, и
- Используйте специальные шумоподавляющие пильные диски.

ВНИМАНИЕ: ВСЕГДА надевайте защитные очки. Обычные очки НЕ ЯВЛЯЮТСЯ защитными очками. Также используйте пылезащитную маску, если распиловка создает большое количество пыли.

ВНИМАНИЕ: Использование этого инструмента может создавать и/или выделять пыль, которая может вызвать серьезные и безвозвратные повреждения дыхательных путей и других органов.

ВНИМАНИЕ: Некоторая пыль, создаваемая в результате шлифования, распиловки, сверления и других строительных работ, содержит химические вещества, известные как канцерогенные, а также вызывающие врожденные дефекты или наносящие вред репродуктивным системам. Некоторые примеры этих химических веществ:

- свинец из свинцовых красок,
- кристаллический диоксид кремния из кирпичей, бетона и других элементов кладки, и
- мышьяк и хром из химически обработанной древесины.

Опасность контакта зависит от частоты выполнения подобных типов работ.

Чтобы снизить риск контакта с данными химическими веществами: оператор и присутствующие должны работать в хорошо вентилируемом месте с использованием соответствующего защитного снаряжения, такого как респиратор для фильтрации микроскопических частиц.

- **Избегайте длительного контакта с пылью при шлифовании, распиловке, сверлении и других строительных работах.** Носите защитную одежду и промывайте открытые участки тела водой с мылом. Попадание пыли в рот, глаза или на кожу может привести к поглощению вредных химических веществ.

ВНИМАНИЕ: Использование этого инструмента может создавать и/или выделять пыль, которая может вызвать серьезные и безвозвратные повреждения дыхательных путей и других органов. Всегда используйте соответствующие средства защиты органов дыхания, подходящие для работы в условиях запыленности.

ВНИМАНИЕ: Рекомендуется использовать устройство защитного отключения (УЗО) с током утечки до 30 мА.

Остаточные риски

При использовании пилы присутствуют следующие риски:

- Травмы, полученные в результате касания вращающихся частей.
- Несмотря на соблюдение соответствующих инструкций по технике безопасности и использование предохранительных устройств, некоторые остаточные риски невозможно полностью исключить. А именно:
- Ухудшение слуха.
 - Несчастные случаи, происходящие в результате контакта с открытым движущимся диском пилы.
 - Риск получения травмы пальцев при смене диска.
 - Риск защемления пальцев при снятии защитного кожуха.
 - Ущерб здоровью в результате вдыхания пыли от распила древесины, в особенности, дуба, бука и ДВП.

Следующие факторы увеличивают риск нарушения дыхания:

- При обработке древесины не используется пылеудаляющее устройство.
- Неудовлетворительное пылеудаление по причине засорившихся выхлопных фильтров.


СОХРАНИТЕ НАСТОЯЩЕЕ РУКОВОДСТВО

Зарядные устройства

Зарядные устройства не требуют регулировки и максимально просты в использовании.

Электробезопасность

Электродвигатель рассчитан на работу только при одном напряжении сети. Необходимо обязательно убедиться в том, что напряжение источника питания соответствует указанному на шильдике устройства. Необходимо также убедиться в том, что напряжение работы зарядного устройства соответствует напряжению в сети.

 Зарядное устройство оснащено двойной изоляцией в соответствии с требованиями EN60335; поэтому провод заземления не требуется. В случае повреждения кабеля питания его необходимо заменить специально подготовленным кабелем, который можно приобрести в сервисных центрах.

Использование удлинительного кабеля

Используйте удлинитель только в случаях крайней необходимости. Используйте только утвержденные удлинители промышленного изготовления, рассчитанные на мощность не меньшую, чем потребляемая мощность зарядного устройства (см. **Технические характеристики**). Минимальное поперечное сечение провода электрического кабеля должно составлять 1 мм²; максимальная длина 30 м.

При использовании кабельного барабана всегда полностью разматывайте кабель.

Важные инструкции по технике безопасности для всех зарядных устройств

СОХРАНИТЕ НАСТОЯЩЕЕ РУКОВОДСТВО. В данном руководстве содержатся важные инструкции по технике безопасности для совместимых зарядных устройств (см. **Технические характеристики**).

- **Перед тем как использовать зарядное устройство, внимательно изучите все инструкции и предупреждающие этикетки на зарядном устройстве, батарее и инструменте, для которого используется батарея.**

ВНИМАНИЕ: Опасность поражения электрическим током. Не допускайте попадания жидкости в зарядное устройство. Это может привести к поражению электрическим током.

ВНИМАНИЕ: Рекомендуется использовать устройство защитного отключения (УЗО) с током утечки до 30 мА.

ВНИМАНИЕ: Опасность ожога. Во избежание травм, следует использовать только аккумуляторные батареи производства. Использование батарей другого типа может привести к взрыву, травмам и повреждениям.

ПРЕДУПРЕЖДЕНИЕ: Не позволяйте детям играть с данным устройством.

ПОЯСНЕНИЕ: В определенных условиях, при подключении зарядного устройства к источнику питания, может произойти короткое замыкание контактов внутри зарядного устройства посторонними материалами. Не допускайте попадания в полости зарядного устройства таких токопроводящих материалов, как стальная стружка, алюминиевая фольга или другие металлические частицы и т. п. Всегда отключайте зарядное устройство от источника питания, если в нем нет аккумуляторной батареи. Всегда отключайте зарядное устройство от сети перед тем, как приступить к очистке инструмента

- **НЕ ПЫТАЙТЕСЬ заряжать батареи с помощью каких-либо других зарядных устройств, кроме тех, которые указаны в данном руководстве.** Зарядное устройство и батарея предназначены для совместного использования.
- **Эти зарядные устройства не предназначены ни для какого другого использования, помимо зарядки аккумуляторных батарей.** Использование любых других батарей может привести к возгоранию, поражению электротоком или гибели от электрического шока.
- **Не подвергайте зарядное устройство воздействию снега или дождя.**
- **При отключении зарядного устройства от сети всегда тяните за штепсельную вилку, а не за кабель.** Это поможет избежать повреждения штепсельной вилки и розетки.
- **Убедитесь в том, что кабель расположен таким образом, чтобы на него не наступили, не споткнулись об него, а также в том, что он не натянут и не может быть поврежден.**
- **Не используйте удлинительный кабель без крайней необходимости.** Использование удлинительного кабеля неподходящего типа может привести к пожару или поражению электрическим током.
- **Не ставьте на зарядное устройство никакие предметы и не устанавливайте зарядное устройство на мягкую поверхность, которая может закрыть вентиляционные отверстия и привести к перегреву.** Не размещайте зарядное устройство поблизости от источников тепла. Вентиляция зарядного устройства происходит с помощью отверстий в верхней и нижней части корпуса.
- **Не используйте зарядное устройство при наличии повреждений кабеля или штепсельной вилки** – в этом случае необходимо немедленно их заменить.
- **Не используйте зарядное устройство, если его роняли, либо если оно подвергалось сильным ударам или было повреждено каким-либо иным образом.** Обратитесь в авторизованный сервисный центр.
- **Не разбирайте зарядное устройство. При необходимости обратитесь в специализированный сервисный центр, если нужно провести обслуживание или ремонт инструмента.** Неправильная сборка может стать причиной пожара или поражения электрическим током.

- В случае повреждения кабеля питания его необходимо немедленно заменить у производителя, в его сервисном центре или с привлечением другого специалиста аналогичной квалификации для предотвращения несчастного случая.
- **Перед очисткой отключите зарядное устройство от сети. В противном случае, это может привести к поражению электрическим током.** Извлечение аккумуляторной батареи не приведет к снижению степени этого риска.
- **НИКОГДА не подключайте два зарядных устройства вместе.**
- **Зарядное устройство предназначено для работы при стандартном напряжении сети в 230 В. Не пытайтесь использовать его при каком-либо ином напряжении.** Это не относится к автомобильному зарядному устройству.

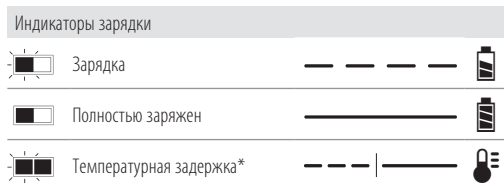
Зарядка батареи (Рис. [Fig.] D)

1. Перед установкой батареи подключите зарядное устройство к соответствующей сетевой розетке.
2. Вставьте аккумуляторную батарею 9 в зарядное устройство, убедившись в том, что она хорошо установлена. Красный индикатор зарядки начнет мигать. Это означает, что процесс зарядки начался.
3. По окончании зарядки красный индикатор будет гореть непрерывно, не мигая. Теперь батарея полностью заряжена, и ее можно использовать или оставить в зарядном устройстве. Чтобы извлечь аккумуляторную батарею из зарядного устройства, нажмите кнопку фиксатора батареи 11 и извлеките батарею.

ПРИМЕЧАНИЕ: Чтобы обеспечить максимальную производительность и срок службы литий-ионных батарей, перед первым использованием полностью зарядите аккумуляторную батарею.

Работа с зарядным устройством

См. состояние зарядки аккумуляторной батареи на приведенных ниже индикаторах.



*В это время красный индикатор продолжит мигать, а когда начнется зарядка, загорится желтый. После того, как батарея достигнет рабочей температуры, желтый индикатор погаснет, и зарядка продолжится.

Зарядное(-ые) устройство(-а) не может(-гут) полностью зарядить неисправную аккумуляторную батарею. При неисправной аккумуляторной батарее, индикатор на зарядном устройстве не загорится.

ПРИМЕЧАНИЕ: Также это может указывать на проблему с зарядным устройством.

Если зарядное устройство указывает на наличие проблемы, проверьте аккумулятор и зарядное устройство в специализированном сервисном центре.

Температурная задержка

Если температура батареи слишком низкая или слишком высокая, зарядное устройство автоматически переходит в режим температурной задержки; при этом зарядка не начинается до тех пор, пока батарея не достигнет нужной температуры. После того, как нужный уровень температуры будет достигнут, устройство перейдет в режим зарядки. Данная функция обеспечивает максимальный срок эксплуатации батареи.

Зарядка холодной батареи занимает больше времени, чем теплой. Аккумуляторная батарея заряжается медленнее во время цикла зарядки и максимального заряда не удастся добиться даже после того, как аккумуляторная батарея будет теплой.

Зарядное устройство DCB118 оснащено внутренним вентилятором для охлаждения батареи. Вентилятор включится автоматически, если батарея нуждается в охлаждении. Не используйте зарядное устройство, если вентилятор не функционирует или если забиты вентиляционные отверстия. Не позволяйте посторонним предметам попадать внутрь зарядного устройства.

Система электронной защиты

Литий-ионные аккумуляторные батареи XR оснащены системой электронной защиты, которая защищает аккумуляторную батарею от перегрузки, перегрева или глубокой разрядки.

При срабатывании системы электронной защиты инструмент автоматически отключается. В этом случае поставьте литий-ионную батарею на зарядку до тех пор, пока она полностью не зарядится.

Крепление на стену

Данные зарядные устройства могут крепиться на стены или устанавливаться на стол или рабочую поверхность. При креплении на стену расположите зарядное устройство в пределах досягаемости розетки и подальше от углов и других препятствий, которые могут помешать потоку воздуха. Используйте заднюю часть зарядного устройства в качестве образца для положения монтажных болтов на стене. Надежно закрепите зарядное устройство при помощи саморезов (приобретаются отдельно) длиной минимум в 25,4 мм с диаметром шляпки самореза в 7–9 мм, вкрученных в дерево до оптимальной глубины, оставляющей на поверхности примерно 5,5 мм самореза. Совместите отверстия на задней стороне зарядного устройства с выступающими саморезами и полностью вставьте их в отверстия.

Инструкции по очистке зарядного устройства

ВНИМАНИЕ: Опасность поражения электрическим током. Перед чисткой отключите зарядное устройство от сети питания. Грязь и жир можно удалить с наружной поверхности зарядного устройства с помощью тряпки

или мягкой неметаллической щетки. Не используйте воду или чистящие растворы. Не допускайте попадания жидкости внутрь инструмента; никогда не погружайте никакие из деталей инструмента в жидкость.

Аккумуляторные батареи

Важные инструкции по технике безопасности для всех батарей

При заказе запасных батарей не забудьте указать номер по каталогу и напряжение.

При покупке батарея заряжена не полностью. Перед тем, как использовать батарею и зарядное устройство, прочтите следующие инструкции по технике безопасности. Затем выполните необходимые действия для зарядки.

ВНИМАТЕЛЬНО ПРОЧИТАЙТЕ ВСЕ ИНСТРУКЦИИ

- **Не заряжайте и не используйте батарею во взрывоопасной атмосфере, например, при наличии горючих жидкостей, газов или пыли.** Установка или удаление батареи из зарядного устройства может привести к воспламенению пыли или газов.
- **Никогда не прилагайте больших усилий, вставляя батарею в зарядное устройство. Не вносите изменения в конструкцию батарей с целью установить их в зарядное устройство, к которому они не подходят. Это может привести к серьезным травмам.**
- Заряжайте батареи только с помощью зарядных устройств.
- **НЕ ПРОЛИВАЙТЕ** на них и не погружайте их в воду или другие жидкости.
- **Не храните и не используйте данное устройство и батарею при температуре выше 40 °C (например, на внешних пристройках или на металлических поверхностях зданий в летнее время).**
- **Не сжигайте батареи, даже поврежденные или полностью отработавшие.** При попадании в огонь батареи могут взорваться. При сжигании литий-ионных батарей образуются токсичные вещества и газы.
- **При попадании содержимого батареи на кожу, немедленно промойте это место водой с мылом.** При попадании содержимого батареи в глаза, необходимо промыть открытые глаза проточной водой в течение 15 минут или до тех пор, пока не пройдет раздражение. При необходимости обращения к врачу, может пригодиться следующая информация: электролит представляет собой смесь жидких органических углекислых и литиевых солей.
- **При вскрытии батареи, ее содержимое может вызвать раздражение дыхательных путей.** Обеспечьте наличие свежего воздуха. Если симптомы сохраняются, обратитесь к врачу.

ВНИМАНИЕ: Опасность ожога. Содержимое батареи может воспламениться при попадании искры или огня.

ВНИМАНИЕ: Ни в коем случае не разбирайте батарею. При наличии трещин или других повреждений батареи, не устанавливайте ее в зарядное устройство. Не роняйте батарею и не подвергайте ее ударам или другим повреждениям. Не используйте батарею или зарядное устройство после удара, падения или получения каких-либо других повреждений (например, после того, как ее проткнули гвоздем, ударили молотком или наступили на нее). Это может привести к удару или поражению электрическим током. Поврежденные батареи необходимо вернуть в сервисный центр для повторной переработки.

ВНИМАНИЕ: Риск воспламенения. Избегайте замыкания выводов батарей металлическими предметами во время хранения или переноски. Например, не кладите аккумуляторные батареи в передники, карманы, ящики для инструментов, выдвижные ящики и т. п. с гвоздями, гайками, ключами и т. п.

ПРЕДУПРЕЖДЕНИЕ: Когда устройство не используется, кладите его на бок на устойчивую поверхность в таком месте, где оно не может упасть и об него нельзя споткнуться. Некоторые устройства с батареями большого размера, стоят сверху на батарее, и могут легко упасть.

Транспортировка

ВНИМАНИЕ: Риск воспламенения. При транспортировке аккумуляторных батарей может произойти возгорание, если терминалы аккумуляторных батарей случайно будут замкнуты электропроводящими материалами. При транспортировке аккумуляторных батарей убедитесь в том, что терминалы защищены и хорошо изолированы от материалов, контакт с которыми может привести к короткому замыканию.

ПРИМЕЧАНИЕ: Литий-ионные аккумуляторные батареи запрещается сдавать в багаж.

Батареи соответствуют всем применимым правилам транспортировки, как предусмотрено промышленными и юридическими стандартам, включая рекомендации ООН по транспортировке опасных грузов; Ассоциация международных авиаперевозчиков (IATA) правила перевозки опасных грузов, Международные правила перевозки опасных грузов морским путем (IMDG), и европейское соглашение о международной дорожной перевозке опасных грузов (ADR). Литий-ионные элементы и аккумуляторные батареи были протестированы в соответствии с разделом 38.3 Рекомендаций ООН по транспортировке опасных грузов руководства по тестам и критериям.

В большинстве случаев транспортировка аккумуляторных батарей не попадает под классификацию, поскольку они не являются опасными материалами Класса 9. В целом, полностью под правила Класса 9 попадают только перевозки литий-ионных батарей с емкостью выше 100 Ватт час (Вт ч). Емкостью всех литий-ионных аккумуляторных батарей в Ватт-часах указана на упаковке. Кроме того, из-за сложности правил, не рекомендует перевозку литий-ионных батарей по воздуху вне зависимости от их емкости. Поставки инструментов с батареями (комбинированные наборы)

могут перевозиться по воздуху согласно исключениям, если энергоемкость батареи не превышает 100 Вт ч.

Независимо от того, является ли перевозка исключением или выполняется по правилам, перевозчик должен уточнить последние требования к упаковке, маркировке и оформлению документации.

Информация, изложенная в данном руководстве обоснована и на момент создания данного документа может считаться точной. Но эта гарантия не является ни выраженной, ни подразумеваемой. Покупатель должен обеспечить то, что бы его деятельность соответствовала всем применимым законам.

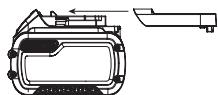
Транспортировка батареи FLEXVOLT™

Батарея DeWALT FLEXVOLT™ оснащена двумя режимами: **эксплуатация** и **транспортировка**.

Режим эксплуатации: если батарея FLEXVOLT™ используется отдельно или в изделии DeWALT на 18 В, то она будет работать в качестве батареи 18 В. Если батарея FLEXVOLT™ используется в изделии на 54 В или 108 В (две батареи 54 В), то она будет работать в качестве батареи 54 В.

Режим транспортировки: если к батарее FLEXVOLT™ прикреплена крышка, то батарея находится в режиме транспортировки. Сохраните крышку для транспортировки.

При режиме транспортировки ряды элементов электрически отсоединяются внутри батареи, что в итоге дает



3 батареи с более низкой энергоемкостью в ватт-часах (Вт ч) по сравнению с 1 батареей с более высокой емкостью в ватт-часах. Данное увеличенное количество в 3 батареи с более низкой энергоемкостью может исключить комплект из некоторых ограничений на перевозку, налагаемых на батареи с более высокой энергоемкостью.

Например, энергоемкость в режиме транспортировки указана как 3 x 36 Вт ч, что может означать 3 батареи с емкостью в 36 Вт ч каждая. Энергоемкость в режиме эксплуатации указана как 108 Вт ч (подразумевается 1 батарея).

Пример маркировки режимов эксплуатации и транспортировки



Рекомендации по хранению

1. Лучшим местом для хранения является прохладное и сухое место, защищенное от прямых солнечных лучей, высокой или низкой температуры. Для оптимальной работы и продолжительного срока службы, храните неиспользуемые аккумуляторные батареи при комнатной температуре.

2. Для достижения максимальных результатов при продолжительном хранении рекомендуется полностью зарядить батарейный комплект и хранить его в прохладном сухом месте вне зарядного устройства.

ПРИМЕЧАНИЕ: Аккумуляторные батареи не должны храниться в полностью разряженном состоянии. Перед использованием аккумуляторная батарея требует повторной зарядки.

Маркировка на зарядном устройстве и аккумуляторной батарее

Помимо пиктограмм, используемых в данном руководстве, на зарядном устройстве и батарее имеются следующие обозначения:



Перед началом работы прочтите руководство по эксплуатации.



Чтобы узнать время зарядки, см. **Технические характеристики**.



Не касайтесь токопроводящими предметами контактов батареи и зарядного устройства.



Не пытайтесь заряжать поврежденную батарею.



Не подвергайте электроинструмент или его элементы воздействию влаги.



Немедленно заменяйте поврежденный кабель питания.



Зарядку осуществляйте только при температуре от 4 °C до 40 °C.



Для использования внутри помещений.



Утилизируйте отработанные батареи безопасным для окружающей среды способом.



Заряжайте аккумуляторные батареи только с помощью соответствующих зарядных устройств. Зарядка иных аккумуляторных батарей, кроме на зарядных устройствах может привести к возгоранию аккумуляторных батарей и возникновению других опасных ситуаций.



Не сжигайте аккумуляторную батарею.



ЭКСПЛУАТАЦИЯ (без крышки для транспортировки). Пример: энергоемкость указана как 108 Вт ч (1 батарея с 108 Вт ч).



ТРАНСПОРТИРОВКА (с крышкой для транспортировки). Пример: энергоемкость указана как 3 x 36 Вт ч (3 батареи по 36 Вт ч).

Тип батареи

DCS365 работает от аккумуляторной батареи напряжением 18 В.

Могут применяться следующие типы батарей: DCB181, DCB182, DCB183, DCB183B, DCB184, DCB184B, DCB185, DCB187, DCB189, DCB546, DCB547, DCB548. Подробную информацию см. в **Технических характеристиках**.

Комплектация поставки

В комплектацию входит:

- 1 Торцовочная пила
- 1 Ключ для установки диска
- 1 Пильный диск
- 1 Боковая рукоятка
- 1 Пылесборник
- 1 Струбцина
- 1 Ионно-литиевая аккумуляторная батарея (модели C1, D1, L1, M1, P1, S1, T1, X1, Y1)
- 2 Ионно-литиевые аккумуляторные батареи (модели C2, D2, L2, M2, P2, S2, T2, X2, Y2)
- 3 Ионно-литиевые аккумуляторные батареи (модели C3, D3, L3, M3, P3, S3, T3, X3, Y3)
- 1 Руководство по эксплуатации

ПРИМЕЧАНИЕ: Аккумуляторные батареи, зарядные устройства и инструментальные ящики не входят в комплект поставки для моделей N. Аккумуляторные батареи и зарядные устройства не входят в комплект поставки для моделей NT. Модели B оснащены аккумуляторной батареей Bluetooth®.

ПРИМЕЧАНИЕ: Словесный товарный знак и логотип Bluetooth® являются зарегистрированными товарными знаками Bluetooth®, SIG, Inc. любое использование этих знаков DeWALT лицензировано. Другие торговые марки и названия принадлежат их владельцам.

- Проверьте на наличие повреждений инструмента, его деталей или дополнительных принадлежностей, которые могли возникнуть во время транспортировки.
- Перед началом работы необходимо внимательно прочитать настоящее руководство и принять к сведению содержащуюся в нем информацию.

Маркировка инструмента

На инструмент нанесены следующие обозначения:



Перед началом работы прочтите руководство по эксплуатации.



Используйте защитные наушники.



Используйте защитные очки.



Держите руки подальше от диска.



Видимое излучение. Не направляйте луч в глаза.

Место положения кода даты (Рис. А)

Код даты **24**, который также включает в себя год изготовления, отштампован на поверхности корпуса инструмента.

Пример:

2020 XX XX
Год изготовления

Описание (Рис. А)



ВНИМАНИЕ: Никогда не вносите изменения в конструкцию электроинструмента или какой-либо его части. Это может привести к повреждению или травме.

- 1 Курковый пусковой выключатель
- 2 Рабочая рукоятка
- 3 Монтажные отверстия
- 4 Нижний защитный кожух
- 5 Зажимная рукоятка установки угла скоса
- 6 Пластина для пропила
- 7 Консоль
- 8 Градуированная шкала угла скоса
- 9 Винты шкалы угла скоса
- 10 Боковые рукоятки
- 11 Направляющая
- 12 Зажимная рукоятка установки угла наклона
- 13 Направляющие штанги
- 14 Отверстие пылеотвода
- 15 Ручка для переноски
- 16 Аккумуляторная батарея
- 17 Нажимной выключатель подсветки XPS™
- 18 Рычаг блокировки пускового выключателя
- 19 Винт регулировки направляющих штанг
- 20 Зажимная рукоятка фиксатора штанг
- 21 Отверстие для зажима
- 22 Ключ для установки пильного диска
- 23 Фиксирующий штифт
- 24 Код даты
- 25 Рукоятка установки угла наклона с превышением

Назначение

Ваша аккумуляторная скользящая универсальная торцовочная пила DeWALT DCS365 предназначена для профессиональных работ по пиленю древесины. Она позволяет легко, точно и безопасно выполнять поперечные распилы, резы со скосом и наклоном.

Данная пила разработана для использования пильных дисков диаметром 184 мм с зубьями с твердосплавными напайками.

НИКОГДА НЕ РЕЖЬТЕ МЕТАЛЛ или легкие сплавы, особенно, магний.

НЕ ИСПОЛЬЗУЙТЕ в условиях повышенной влажности или поблизости от легковоспламеняющихся жидкостей или газов.

Данные торцовочные пилы являются профессиональными электроинструментами **НЕ РАЗРЕШАЙТЕ** детям прикасаться к инструменту. Использование инструмента неопытными пользователями должно происходить под контролем опытного лица.

- Данный инструмент не предназначен для использования лицами (включая детей) с ограниченными физическими, психическими и умственными возможностями, не имеющими опыта, знаний или навыков работы с ним, если они не находятся под наблюдением лица, ответственного за их безопасность. Никогда не оставляйте детей без присмотра с этим инструментом.

СБОРКА И РЕГУЛИРОВКА

ВНИМАНИЕ: Чтобы снизить риск получения серьезной травмы, необходимо выключить инструмент и отсоединить батарею, прежде чем выполнять какую-либо регулировку либо удалять/устанавливать какие-либо насадки или дополнительные принадлежности. Случайный запуск может привести к травме.

ВНИМАНИЕ: Используйте только зарядные устройства и аккумуляторные батареи марки .

Установка и извлечение аккумуляторной батареи из инструмента (Рис. D)

ПРИМЕЧАНИЕ: Убедитесь, что аккумуляторная батарея 9 полностью заряжена.

Установка батареи в рукоятку инструмента

1. Совместите аккумуляторную батарею 9 с выемкой на внутренней стороне рукоятки (Рис. D).
2. Задвиньте ее в рукоятку так, чтобы аккумуляторная батарея плотно встала на место и убедитесь, что услышали щелчок от вставшего на место замка.

Извлечение батареи из инструмента

1. Нажмите кнопку фиксатора батареи 11 и вытащите батарею из рукоятки.
2. Вставьте батарею в зарядное устройство, как указано в разделе данного руководства, посвященном зарядному устройству.

Датчик уровня заряда аккумуляторной батареи (Рис. D)

В некоторых аккумуляторных батареях есть датчик заряда, который включает три зеленых светодиодных индикатора, показывающих уровень оставшегося заряда аккумуляторной батареи.

Для включения датчика заряда, нажмите и удерживайте кнопку датчика заряда 26. Загорятся три зеленых светодиода, показывая уровень оставшегося заряда. Когда уровень заряда аккумуляторной батареи будет ниже уровня, необходимого для использования, светодиоды перестанут гореть и аккумуляторную батарею следует зарядить.

ПРИМЕЧАНИЕ: Датчик заряда аккумуляторной батареи показывает уровень оставшегося заряда. Он не показывает работоспособность устройства и его показания могут меняться в зависимости от компонентов продукта, температуры и сфер применения.

Ознакомление (Рис. A, D, E)

Откройте коробку и извлеките из нее пилу (Рис. D), используя боковые выемки для захвата руками или ручку для переноски 15.

Установите пилу на ровную, плоскую поверхность, такую как верстак или прочный стол.

Изучите Рисунок А, чтобы ознакомиться с пилой и ее составными частями. Раздел по регулировке будет ссылаться на данные определения, поэтому вам нужно знать все части и их расположение.

ПРЕДУПРЕЖДЕНИЕ: Опасность заземления. Чтобы снизить риск получения травмы, при переводе рабочей рукоятки в нижнее положение держите большой палец руки под рабочей рукояткой. При опускании рабочей рукоятки поднимается нижний защитный кожух, что может привести к заземлению пальцев. Рабочая рукоятка расположена рядом с защитным кожухом для выполнения специализированных резов.

Слегка нажмите на рабочую рукоятку 2 и вытяните фиксирующий штифт 23. Мягко ослабьте нажим и возьмитесь за рабочую рукоятку, позволяя ей подняться на максимальную высоту. Используйте фиксирующий штифт при переноске пилы с места на место. При переноске пилы всегда используйте выемки для захвата руками или боковые рукоятки 10, как изображено на Рис. D. См. Рис. E и раздел «Установка боковых рукояток».

Установка боковых рукояток (Рис. E)

Ваша пила поставляется с двумя боковыми рукоятками 10, которые устанавливаются на пилу, как показано на Рис. E. Используйте 4 винта и 4 гайки, входящие в комплект поставки. Затяните с усилием, используя шестигранный ключ, входящий в комплект поставки рукоятки.

Крепление на верстаке (Рис. A)

На каждой из 4 опорных лап имеются отверстия 3, предназначенные для крепления на верстаке, как показано на Рис. A. Всегда надежно закрепляйте пилу на верстаке во избежание ее смещения. Для удобства, инструмент можно установить на листе фанеры толщиной 12,7 мм или более, который затем крепится на поверхность основания или может быть перенесен в другое место, а затем закреплен.

ПРИМЕЧАНИЕ: При установке пилы на лист фанеры проследите за тем, чтобы монтажные винты не выступали снизу. Фанерная панель должна ровно лежать на опоре. Во время крепления пилы к какой-либо рабочей поверхности, ее следует крепить только за выступы, на которых находятся монтажные отверстия. Крепление в любой другой точке помешает нормальной работе пилы.

ПРЕДУПРЕЖДЕНИЕ: Во избежание заклинивания и неточной работы, проследите за тем, чтобы монтажная поверхность была ровной. Если пила качается на поверхности, поместите тонкий кусок материала под одну из лап, так, чтобы пила была плотно закреплена на монтажной поверхности.

Замена или установка нового пильного диска (Рис. F1–F3)

См. подраздел «Пильные диски» в разделе «Дополнительные принадлежности».

ВНИМАНИЕ: Чтобы снизить риск получения серьезной травмы, необходимо выключить инструмент и отсоединить батарею, прежде чем выполнять какую-либо регулировку, чистку или техническое обслуживание, либо удалять/устанавливать какие-либо насадки или дополнительные принадлежности. Случайный запуск может привести к травме.

ВНИМАНИЕ: Для снижения риска получения травмы при работе с пильными дисками надевайте защитные перчатки.

ПРЕДУПРЕЖДЕНИЕ:

- Никогда не нажимайте на кнопку блокировки шпинделя (35, Рис. F2), если пильный диск находится в движении или под напряжением.
- Не используйте данную торцовочную пилу для резки металлов, камня или изделий из волокнистого цемента.

Снятие пильного диска (Рис. A, F1–3)

1. Извлеките аккумуляторную батарею (16, Рис. C) из пилы.
2. Поднимите пильную головку в самое верхнее 4 на максимальную высоту.
3. Ослабьте на четыре оборота, но не удаляйте, задний винт 27 кронштейна защитного кожуха.
4. Ослабьте, но не извлекайте передний винт кронштейна защитного кожуха (28, Рис. F1), пока кронштейн 29 не удастся поднять достаточно высоко, чтобы добраться до винта диска 31. Нижний защитный кожух будет оставаться поднятым, благодаря расположению винта кронштейна.
5. Нажмите на кнопку блокировки шпинделя (35, Рис. F2) и осторожно поворачивайте пильный диск 30 рукой, чтобы была задействована блокировка.
6. Удерживая кнопку нажатой, другой рукой Т40-стороной поставленного в комплекте шестигранного ключа 22 ослабьте винт крепления диска 31. (Поворачивайте по часовой стрелке, левая резьба.)
7. Выверните винт диска 31, внешнюю прижимную шайбу (32, Рис. F3) и диск 30, используя Т40-стороной поставленного в комплекте ключа. Внутреннюю прижимную шайбу 33 можно оставить на шпинделе 34.

Установка пильного диска (Рис. C, F1–F3)

1. Извлеките аккумуляторную батарею (16, Рис. C) из пилы.
2. С поднятой пильной головкой, открытым нижним защитным кожухом 4 и поднятым кронштейном защитного кожуха 29 установите пильный диск 30 на шпindel 34 вплотную к внутренней прижимной шайбе 33, следя за тем, чтобы зубья диска были направлены в сторону вращения диска, как отмечено на пиле.
3. Установите на шпindel 34 внешнюю прижимную шайбу 32.
4. Установите винт диска 31 и, удерживая нажатой кнопку блокировки шпинделя 35, надежно затяните винт 31 шестигранным ключом 22, входящим в комплект поставки инструмента (левосторонняя резьба, поворачивайте ключ против часовой стрелки).
5. Верните кронштейн защитного кожуха 29 в нижнее исходное положение и надежно затяните оба винта (27, 28), удерживающие кронштейн на месте.

ВНИМАНИЕ: Перед началом работы верните кронштейн защитного кожуха в нижнее исходное положение и затяните винты кронштейна. В противном случае, защитный кожух не будет закрываться или может войти в контакт с вращающимся пильным диском, что повлечет за собой повреждение пилы и получение тяжелых травм.

Транспортировка пилы (Рис. A)

ВНИМАНИЕ: Чтобы снизить риск получения серьезной травмы, необходимо выключить инструмент и отсоединить батарею, прежде чем выполнять какую-либо регулировку, чистку или техническое обслуживание, либо удалять/устанавливать какие-либо насадки или дополнительные принадлежности. Случайный запуск может привести к травме.

ВНИМАНИЕ: Для снижения риска получения тяжелой травмы перед переноской пилы всегда блокируйте зажимную рукоятку направляющих штанг 20,

зажимную рукоятку установки угла скоса **5**, зажимную рукоятку установки угла наклона **12** и фиксирующий штифт **23**. (См. Рис. А.)

Для удобства переноски торцовочной пилы с места на место пила оснащена ручкой для переноски **15**, расположенной в верхней части инструмента, и боковыми рукоятками **10** в основании, см. Рис. А.

Хранение торцовочной пилы

Торцовочная пила должна храниться надежно запертой в сухом месте, недоступном для детей и неопытных пользователей.

ОСОБЕННОСТИ И ЭЛЕМЕНТЫ УПРАВЛЕНИЯ

ВНИМАНИЕ: Чтобы снизить риск получения серьезной травмы, необходимо выключить инструмент и отсоединить батарею, прежде чем выполнять какую-либо регулировку, чистку или техническое обслуживание, либо удалять/устанавливать какие-либо насадки или дополнительные принадлежности. Случайный запуск может привести к травме.

Использование системы светодиодной подсветки XPS™

(Рис. А)

ВНИМАНИЕ: Не смотрите на лампочку подсветки.

ПРИМЕЧАНИЕ: Батарея должна быть заряжена и установлена в торцовочную пилу.

Светодиодная подсветка XPS™ включается с помощью нажимного выключателя **17**. Подсветка автоматически выключается через 20 секунд, если инструмент не используется. Также подсветка автоматически включается при каждом нажатии на курковый пусковой выключатель **1** инструмента.

Чтобы сделать распил вдоль карандашной линии на деревянной заготовке, включите систему подсветки XPS™, нажав на выключатель подсветки **17** (не нажимая на курковый пусковой выключатель пилы) и опустите вниз рабочую рукоятку **2**, максимально приближая пильный диск к поверхности заготовки. На заготовке будет видна тень от диска. Данная тень покрывает участок материала, который будет удален диском во время распила. Для точного распила вдоль линии выровняйте край тени диска по карандашной линии. Помните, что для полного совпадения тени диска с карандашной линией вам может понадобиться дополнительная регулировка угла скоса или наклона. Ваша пила оснащена индикатором неисправности батареи. Система светодиодной рабочей подсветки начинает мигать, если заряд аккумуляторной батареи заканчивается, или если аккумуляторная батарея перегревается. Перед выполнением любой дальнейшей работы зарядите батарею. См. подраздел «Процедура зарядки» в разделе «Важные инструкции по эксплуатации» для всех аккумуляторных батарей».

Зажимная рукоятка установки угла скоса (Рис. А, J)

С помощью зажимной рукоятки **5** можно устанавливать угол скоса до 48° вправо и 48° влево. Фиксатор автоматически срабатывает на углах скоса 10°, 15°, 22,5°, 31,62° и 45° влево или вправо.

Зажимная рукоятка установки угла наклона (Рис. А, L1, L2)

Данная зажимная рукоятка позволяет устанавливать угол наклона до 48° влево. Для регулировки угла наклона, поверните зажимную рукоятку установки угла наклона (**12**) против часовой стрелки, чтобы ослабить ее. Чтобы затянуть зажимную рукоятку установки угла наклона, поворачивайте ее по часовой стрелке.

Зажимная рукоятка фиксатора штанг (Рис. А)

Данная зажимная рукоятка **20** обеспечивает надежную фиксацию пильной головки, предотвращающую ее скольжение по направляющим штангам. Это необходимо при выполнении определенного типа разрезов или при транспортировке пилы.

Фиксирующий штифт (Рис. А)

ВНИМАНИЕ: Фиксирующий штифт необходимо использовать только при транспортировке или хранении пилы. ЗАПРЕЩАЕТСЯ использовать фиксирующий штифт для какого-либо распила.

Чтобы зафиксировать голову пилы в нижнем положении, нажмите на нее вниз, затем нажмите фиксирующий штифт **23** внутрь, чтобы освободить головку пилы. Это поможет зафиксировать головку и предотвратить ее смещение. Чтобы освободить головку, надавите на головку и извлеките штифт.

ЭКСПЛУАТАЦИЯ

Инструкции по эксплуатации

ВНИМАНИЕ: Всегда соблюдайте правила техники безопасности и применимые законы.

ВНИМАНИЕ: Чтобы снизить риск получения серьезной травмы, необходимо выключить инструмент и отсоединить батарею, прежде чем выполнять какую-либо регулировку, чистку или техническое обслуживание, либо удалять/устанавливать какие-либо насадки или дополнительные принадлежности. Случайный запуск может привести к травме.

ВНИМАНИЕ: Перед любым резом заготовки всегда сначала выполняйте пробный разрез без включения мощности, чтобы убедиться, что ходу диска ничто не мешает.

Положение тела и рук (Рис. G1–G4)

ВНИМАНИЕ: Во избежание риска получения серьезных травм, **ВСЕГДА** используйте правильное положение рук как показано на Рис. G1 и G2.

ВНИМАНИЕ: Для снижения риска получения тяжелой травмы, **ВСЕГДА** надежно удерживайте инструмент, предупреждая внезапные сбои в работе.

- По мере возможности используйте зажимы, чтобы поддерживать заготовку.
- Никогда не держите руки возле зоны распила. Не подносите руки к пильному диску ближе, чем на 100 мм.
- Прижимайте заготовку к столу и направляющей во время распиловки. Держите руки в этом положении до тех пор, пока не отпустите выключатель и диск полностью не остановится.
- **ВСЕГДА ВЫПОЛНЯЙТЕ ПРОБНЫЕ ПРОГОНЫ (БЕЗ НАГРУЗКИ) ДО ТОГО, КАК ВЫПОЛНИТЬ РАСПИЛ, ЧТОБЫ ПРОВЕРИТЬ ХОД ПИЛЬНОГО ДИСКА. ЗАПРЕЩАЕТСЯ СКРЕЩИВАТЬ РУКИ, КАК ПОКАЗАНО НА РИСУНКЕ G3 и G4.**
- Твердо упоритесь обеими ногами в пол и сохраняйте равновесие. По мере перемещения рукоятки установки угла скоса вправо или влево, следуйте за ним, держась в стороне от режущего диска.
- Следуя линии, проведенной карандашом, смотрите через прорезы защитного кожуха.

Курковый пусковой выключатель (Рис. H)

Чтобы включить пилу, передвиньте рычаг блокировки пускового выключателя **18** влево и нажмите на курковый пусковой выключатель **1**. Пила будет работать, пока нажат выключатель. Перед тем, как начать распил, дождитесь, пока пильный диск не разгонится до максимальной скорости. Чтобы выключить пилу, отпустите выключатель. Позвольте диску остановиться перед тем, как поднять головку пилы. Зафиксировать выключатель во включенном положении невозможно. В выключателе имеется отверстие **36**, позволяющее с помощью навесного замка блокировать выключатель в выключенном положении.

Данная пила не оборудована автоматическим электрическим тормозом диска, но пильный диск должен остановиться в течение 5 секунд после отпущения выключателя. Это не подлежит регулировке. Если время остановки превышает 5 секунд, доставьте инструмент в авторизованный сервисный центр DeWALT для техобслуживания. Всегда дожидайтесь полной остановки диска перед его извлечением из пластины для пропила.

Пылеудаление (Рис. А, I)

ВНИМАНИЕ: Чтобы снизить риск получения серьезной травмы, необходимо выключить инструмент и отсоединить батарею, прежде чем выполнять какую-либо регулировку, чистку или техническое обслуживание, либо удалять/устанавливать какие-либо насадки или дополнительные принадлежности. Случайный запуск может привести к травме.

ВНИМАНИЕ: Некоторые виды древесной пыли, например, дуба или бука, являются канцерогенными, особенно в сочетании с добавками для пропитки древесины.

- Всегда используйте систему пылеудаления.
- Обеспечьте хорошую вентиляцию рабочего пространства.
- Рекомендуется носить респиратор соответствующего типа.

Ваша пила оборудована встроенным отверстием пылеотвода **14**, к которому можно подсоединить входящий в комплект поставки пылесборник **37** или промышленный пылесос.

Установка пылесборника

1. Установите пылесборник **37** на отверстие пылеотвода **14**, как показано на Рисунке I.

Опорожнение пылесборника

1. Снимите пылесборник **37** с пилы и аккуратно встряхните или постучите по нему, чтобы опорожнить его.
2. Снова установите пылесборник на отверстие пылеотвода **14**.

Вы можете заметить, что при опорожнении из пылесборника выходит не вся пыль. Это никак не повлияет на режущую производительность пилы, но значительно снизит эффективность сбора пыли. Чтобы пылеудаление стало вновь эффективным, при опорожнении нажмите на пружину внутри пылесборника и постучите им о край мусорного контейнера.

ПРЕДУПРЕЖДЕНИЕ: Никогда не работайте данной пилой без установленного пылесборника или подсоединенного устройства пылеудаления DeWALT. Древесная пыль может представлять опасность для органов дыхания.

Работа пилой (Рис. А)

Если невозможно прижимать заготовку к столу и направляющей рукой (неправильная форма заготовки и пр.), или при удержании заготовки ваши руки оказываются ближе, чем в 100 мм от пильного диска, необходимо использовать струбицы или другие зажимные устройства. См. в разделе «Дополнительные принадлежности» подробную информацию.

Если не предполагается использовать функцию скольжения пильной головки по направляющим штангам, убедитесь, что пильная головка отведена назад до упора и зажимная рукоятка фиксатора штанг **20** затянута. Это предотвратит скольжение пильной головки по направляющим штангам при обработке заготовки.

ПРИМЕЧАНИЕ: ЗАПРЕЩАЕТСЯ ИСПОЛЬЗОВАТЬ ДАННУЮ ПИЛУ ДЛЯ РЕЗАНИЯ МЕТАЛЛОВ ИЛИ БЕТОНА. Не используйте абразивные диски.

ПРИМЕЧАНИЕ: См. подраздел «**Приведение в действие защитного кожуха и видимость**» в разделе «**Регулировка**» для получения важной информации перед работой относительно нижнего защитного кожуха.

Поперечный распил

Прямой распил (Рис. А, G1, G2)

Поперечный распил выполняется путем реза древесины вдоль волокон и под любым углом. Прямой поперечный распил выполняется при установке пильной головки в нулевое положение. Установите консоль в нулевое положение, прижмите деревянную заготовку вплотную к распиловочному столу и направляющей. Проверьте, что зажимная рукоятка фиксатора штанг **20** затянута и включите пилу, нажав на курковый пусковой выключатель **1**.

Когда пила наберёт максимальную скорость (примерно за 1 секунду), мягко опустите пильную головку на деревянную заготовку и начните распил. Прежде чем поднять пильную головку, дождитесь полной остановки пильного диска.

При распиле заготовок, ширина которых превышает 51 мм x 102 мм, ослабьте рукоятку фиксатора штанг **20** и делайте распил движением вперед-вниз-назад. Потяните пилу на себя, опустите головку пилы на заготовку и медленно толкайте пилу обратно от себя, чтобы завершить распил. Следите за тем, чтобы пила не соприкоснулась с верхней частью заготовки при вытягивании на себя. Пила может резко отскочить в вашу сторону, что создаст риск получения травмы и повреждения заготовки.

ВНИМАНИЕ: Если при распиле ваши руки оказываются на расстоянии менее 100 мм от пильного диска, всегда используйте зажим, чтобы обеспечить контроль в управлении инструментом и снизить риск повреждения заготовки и получения травмы.

ПРИМЕЧАНИЕ: Чтобы пильная головка свободно скользила по направляющим штангам, зажимная рукоятка фиксатора штанг **20** должна быть ослаблена.

Резы со скосом (Рис. J, K)

Поперечный распил со скосом выполняется при установке консоли под любым углом, кроме нулевой отметки. Для выпиливания углов чаще всего используется угол 45°, но пильную головку можно устанавливать с нуля до 48° влево или до 48° вправо. Чтобы выбрать угол скоса, ослабьте зажимную рукоятку установки угла скоса **5**, повернув ее против часовой стрелки. Удерживая зажимную рукоятку установки угла скоса, переместите консоль **7** на нужную отметку угла скоса на градуированной шкале **8**. Затяните зажимную рукоятку установки угла скоса, повернув ее по часовой стрелке. Выполните рез, как было описано выше.

При распиле со скосом не очень длинных заготовок, ширина которых превышает 51 мм x 102 мм, всегда прижимайте заготовку более длинной стороной к направляющей (Рис. K).

Чтобы сделать распил вдоль карандашной линии на деревянной заготовке, старайтесь максимально точно соблюдать угол скоса. Обрежьте заготовку немного длиннее нужного и измерьте расстояние от карандашной линии до отрезного края, чтобы определить, в каком направлении стоит отрегулировать угол скоса и повторить рез. Этот метод требует некоторой практики, но является широко распространенным.

Распил с наклоном (Рис. L1, A2)

Пиление с наклоном – это поперечный рез, выполненный пильным диском под наклоном к заготовке. Чтобы установить угол наклона, ослабьте зажимную рукоятку установки угла наклона **12** и сдвиньте пилу влево, насколько нужно. Как только нужный угол наклона будет достигнут, крепко затяните зажимную рукоятку установки угла наклона. Угол наклона может быть задан от 0° вправо до 48° влево.

Чтобы установить угол наклона, минуя 45°, до 48°,

1. Ослабьте зажимную рукоятку установки угла наклона **12**.
2. Слегка наклоните пильную головку, чтобы перевести рукоятку установки угла наклона с превышением **25** в одну сторону.
3. Передвиньте пильную головку на 48°.
4. Надежно затяните рукоятку установки угла наклона.

Качество реза

Чистота любого среза зависит от ряда параметров, например распиливаемого материала. На качество распила влияют такие факторы, как тип обрабатываемого материала, тип пильного диска, степень заточки диска и скорость резания.

Когда необходимо получить более чистый срез для особо точной работы, необходимо использовать острый пильный диск (с 60 твердосплавными зубьями) и применять более медленную подачу при резании.

Убедитесь в том, что материал не смещается во время резки; надежно закрепите деталь на месте. Прежде чем поднять пильную головку, всегда следите за тем, чтобы диск полностью остановился.

Если на задней части разрезаемой заготовки остаются торчать маленькие волокна древесины, наклейте на заготовку клейкую ленту. Режьте в том месте, где наклеена лента, и тщательно удалите ленту, когда распил завершен.

При выполнении распилов различного типа ознакомьтесь со списком пильных дисков, рекомендованных к использованию в вашей пиле, и выберите диск, наиболее подходящий для конкретной операции. См. подраздел «**Пильные диски**» в разделе «**Дополнительные принадлежности**».

Зажим заготовки

ВНИМАНИЕ: Чтобы снизить риск получения серьезной травмы, необходимо выключить инструмент и отсоединить батарею, прежде чем выполнять какую-либо регулировку, чистку или техническое обслуживание, либо удалять/устанавливать какие-либо насадки или

дополнительные принадлежности. Случайный запуск может привести к травме.

ВНИМАНИЕ: Зафиксированная на месте, сбалансированная и поддерживаемая заготовка по завершении реза может прийти в разбалансированное состояние. Неуравновешенная нагрузка может стать причиной наклона пилы или места, на котором она закреплена – рабочего стола или верстака. При выполнении резов, которые могут привести к неуравновешенной нагрузке, надёжно закрепляйте заготовку и проследите, чтобы пила была крепко прикреплена болтами к устойчивой поверхности. В противном случае, повышается риск получения травмы.

ВНИМАНИЕ: Каждый раз при использовании зажима ножка зажима всегда должна упираться в основание пилы. Всегда прижимайте заготовку к основанию пилы, а не к другим ее частям. Убедитесь, что ножка зажима не упирается в край основания пилы.

ВНИМАНИЕ: Если при распиле ваши руки оказываются на расстоянии менее 100 мм от пильного диска, всегда используйте зажим, чтобы обеспечить контроль в управлении инструментом и снизить риск повреждения заготовки и получения травмы.

Если невозможно прижимать заготовку к столу и направляющей рукой (неправильная форма заготовки и пр.), или при удержании заготовки ваши руки оказываются ближе, чем в 100 мм от пильного диска, необходимо использовать струбцины или другие зажимные устройства.

Используйте зажим, входящий в комплектацию пилы. Для покупки зажима обратитесь к вашему продавцу или в авторизованный сервисный центр DEWALT.

В зависимости от размера и формы заготовки можно также использовать вспомогательные средства, такие как пружинные зажимы, прижимные планки или зажимные скобы. Подходите к выбору и установке зажимов со всей ответственностью. Выполните пробный рез без нагрузки перед началом резки.

Установка зажима (Рис. M)

1. Развернув зажим **38** лицом к задней стороне торцовочной пилы, вставьте штангу зажима в отверстие **21** позади направляющей. Убедитесь, что канавка в нижней части штанги зажима полностью вошла в отверстие **21**.
2. Поверните зажим на 180° в направлении к лицевой стороне торцовочной пилы.
3. Для регулировки зажима вверх или вниз ослабьте рукоятку; для надежного зажатия заготовки используйте рукоятку тонкой настройки.

ПРИМЕЧАНИЕ: При выполнении резов с наклоном устанавливайте зажим на противоположной стороне основания пилы. ВСЕГДА ВЫПОЛНЯЙТЕ ПРОБНЫЕ ПРОГОНЫ (БЕЗ НАГРУЗКИ) ДО ТОГО, КАК ВЫПОЛНИТЬ РАЗРЕЗ, ЧТОБЫ ПРОВЕРИТЬ ХОД ПИЛЬНОГО ДИСКА. УБЕДИТЕСЬ В ТОМ, ЧТО ЗАЖИМ НЕ МЕШАЕТ РАБОТЕ ПИЛЫ ИЛИ ЗАЩИТНОГО КОЖУХА.

РЕГУЛИРОВКА

ВНИМАНИЕ: Чтобы снизить риск получения серьезной травмы, необходимо выключить инструмент и отсоединить батарею, прежде чем выполнять какую-либо регулировку, чистку или техническое обслуживание, либо удалять/устанавливать какие-либо насадки или дополнительные принадлежности. Случайный запуск может привести к травме.

Ваша торцовочная пила в полной мере отрегулирована на заводе во время производства. Если в результате транспортировки, разгрузки или по другим причинам требуется повторная регулировка, следуйте приведенным ниже указаниям.

После того, как это будет сделано, настройки будут точными. Тщательно выполните все действия в соответствии с нижеследующими инструкциями, чтобы сохранить точность настроек вашей пилы.

Регулировка шкалы угла скоса (Рис. J, N)

Заблокируйте пильную головку в нижнем положении. Ослабьте зажимную рукоятку установки угла скоса **5** и поворачивайте консоль **7**, пока она не зафиксируется в положении 0° угла скоса. Не затягивайте зажимную рукоятку установки угла скоса. Приложите угольник вплотную к направляющей и пильному диску, как показано на Рис. N. (Не касайтесь угольником режущих кромок зубьев пильного диска. Это приведет к неточному измерению.) Если пильный диск не расположен строго перпендикулярно направляющей, ослабьте три винта (**9**, Рис. J), удерживающие градуированную шкалу скоса **8**, и подвигайте консоль вправо или влево, пока пильный диск не будет строго перпендикулярен направляющей, как было измерено угольником. Затяните три винта.

Регулировка перпендикулярности диска относительно стола (Рис. A, L1, O)

Для выравнивания пильного диска перпендикулярно распиловочному столу заблокируйте рабочую рукоятку в нижнем положении, задействовав фиксирующий штифт **23**. Приложите к корпусу пильного диска угольник, следя за тем, чтобы угольник не касался режущих кромок зубьев диска. Ослабьте зажимную рукоятку установки угла наклона **12** и убедитесь, что консоль плотно прижата к фиксатору угла наклона 0°. При необходимости шестигранным ключом 4 мм (не входит в комплект поставки инструмента) поверните винт регулировки наклона 0° **41**, чтобы пильный диск располагался с наклоном 0° к столу, как было измерено угольником.

Регулировка фиксатора наклона 45° влево (Рис. A, L1, L2)

Чтобы отрегулировать фиксатор наклона 45°, сначала ослабьте зажимную рукоятку установки угла наклона и наклоните пильную головку до упора. Убедитесь, что рукоятка установки угла наклона с превышением **25** находится в положении 45°. Если указатель

угла наклона **40** не показывает точно на отметку 45°, поворачивайте винт регулировки наклона 45° **42**, пока указатель **40** не укажет точно на 45°.

Приведение в действие защитного кожуха и видимость

(Рис. А, X)

⚠ ПРЕДУПРЕЖДЕНИЕ: Опасность защемления. Чтобы снизить риск получения травмы, при переводе рабочей рукоятки в нижнее положение держите большой палец руки под рабочей рукояткой. При опускании рабочей рукоятки поднимается нижний защитный кожух, что может привести к защемлению пальцев.

Нижний защитный кожух **4** вашей пилы сконструирован таким образом, чтобы автоматически открывать пильный диск при опускании пильной головки и закрывать диск, когда пильная головка поднята.

Перед каждым использованием или после проведения регулировки поднимите и опустите пильную головку (при выключенном инструменте) и убедитесь, что защитный кожух без помех и полностью открывается и закрывается. Он не должен касаться диска. При поднятой пильной головке поднимите защитный кожух (при выключенном инструменте), как показано на Рис. X, и отпустите. Кожух должен быстро и полностью закрыться. Не пользуйтесь пилой, если кожух не ходит свободно и не закрывается сразу. Запрещается зажимать или связывать кожух в открытом положении при работе с пилой. Защитный кожух можно поднять вручную при установке или снятии дисков или при проверке пилы. НИКОГДА НЕ ПОДНИМАЙТЕ НИЖНИЙ ЗАЩИТНЫЙ КОЖУХ ВРУЧНУЮ, НЕ ВЫКЛЮЧИВ ПРЕДВАРИТЕЛЬНО ПИЛУ.

ПРИМЕЧАНИЕ: Некоторые специальные разрезы потребуют ручного поднятия защитного кожуха. См. подраздел «Распил длинных заготовок» в разделе «Специальныерезы».

Передняя секция защитного кожуха снабжена прорезями типа жалюзи для обеспечения видимости во время распила. Несмотря на то, что жалюзийные прорези заметно сокращают количество разлетающихся обрезков, они являются открытыми отверстиями на защитном кожухе, поэтому при просмотре сквозь них всегда надевайте защитные очки.

Регулировка направляющих штанг (Рис. А)

Периодически проверяйте направляющие штанги **13** на люфт или зазор. Направляющие штанги можно очищать сухой, чистой тканью. Правую штангу можно отрегулировать при помощи регулировочного винта **19**, изображенного на Рис. А. Для уменьшения зазора между штангами шестигранным ключом 4 мм медленно поворачивайте регулировочный винт по часовой стрелке, одновременно передвигая пильную головку вдоль штанг вперед-назад. Сохраняя минимальное усилие при скольжении пильной головки, уменьшите зазор.

Опора для длинных заготовок

⚠ ВНИМАНИЕ: Чтобы снизить риск получения серьезной травмы, необходимо выключить инструмент и отсоединить батарею, прежде чем выполнять какую-либо регулировку, чистку или техническое обслуживание, либо удалять/устанавливать какие-либо насадки или дополнительные принадлежности. Случайный запуск может привести к травме.

ВСЕГДА ИСПОЛЬЗУЙТЕ ОПОРУ ДЛЯ ДЛИННЫХ ЗАГОТОВОК.

Никогда не используйте другого человека в качестве замены раздвижного стола или другой дополнительной опоры для заготовок, длина или ширина которых превышает размеры основного распиловочного стола, для подачи, поддержки или подталкивания заготовки.

Для поддержки длинных заготовок используйте любые удобные приспособления, такие как пильные козлы или подобные им устройства, препятствующие выступу длинных концов.

Изготовление картинных рам, ящиков для рассады и прочих четырехсторонних конструкций (Рис. P, Q)

Для наилучшего понимания того, как изготовить приведенные здесь предметы, мы рекомендуем попрактиковаться с несколькими более простыми проектами от отходов древесины, чтобы сначала освоиться со своей пилой.

Ваша пила является идеальным инструментом для выполнения угловых соединений наподобие тех, которые изображены на Рис. P. Изображение А на Рис. Q показывает соединение, изготовленное путем установки рукоятки угла наклона на 45° для пиления с наклоном двух панелей с целью формирования угла 90°. Для выполнения данного типа соединения консоль блокируется в положении 0°, а угол наклона – в положении 45°. Деревянная заготовка располагается широкой стороной на плоскости стола и узкой стороной вплотную к направляющей. Тот же самый разрез может быть выполнен путем скашивания вправо и влево при заготовке, лежащей широкой стороной вплотную к направляющей.

Пиление профилей плинтусов и прочих рам (Рис. Q)

Изображение В на Рис. Q показывает соединение, изготовленное путем установки консоли на 45° для пиления со скосом двух панелей с целью формирования угла 90°. Для выполнения данного типа соединения установите угол наклона на ноль, а консоль – на 45°. Расположите деревянную заготовку широкой стороной на плоскости стола и узкой стороной вплотную к направляющей.

Рисунки P и Q приведены для примера изготовления толькочетырехсторонних конструкций.

При изменении числа сторон, угол скоса и угол наклона также изменяется. В приведенной ниже таблице указаны правильные углы для разнообразных конфигураций изделий.

– ПРИМЕРЫ –	
КОЛИЧЕСТВО СТОРОН	УГОЛ СКОСА ИЛИ НАКЛОНА
4	45°
5	36°
6	30°
7	25,7°
8	22,5°
9	20°
10	18°

Данные таблицы даны для изделий, все стороны которых имеют одинаковую длину. Если необходимая вам конфигурация не приведена в таблице, используйте следующую формулу: разделите 180° на количество сторон, чтобы получить угол скоса (если материал установлен вертикально) или угол наклона (если установлен горизонтально).

Комбинированное пиление (Рис. R)

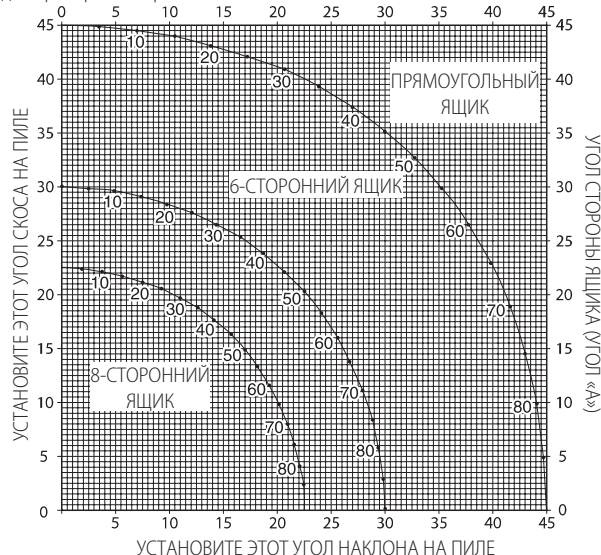
Комбинированное пиление – это одновременное пиление со скосом и с наклоном. Этот метод пиления используется для изготовления рам или ящиков с наклонными стенками наподобие того, что изображено на Рис. R.

ПРИМЕЧАНИЕ: Если угол пиления постоянно изменяется, следите, чтобы зажимные рукоятки установки угла наклона и скоса были надежно затянуты. Их необходимо фиксировать после выполнения любых изменений угла наклона или скоса.

Приведенная ниже диаграмма поможет выбрать правильный угол наклона и угол скоса для комбинированного пиления. Выберите необходимый для вашего изделия угол «А» (Рис. R) и поместите этот угол на соответствующую кривую диаграммы. Из этой точки опустите вниз перпендикулярную линию для определения правильного угла наклона и горизонтальную линию для определения правильного угла скоса.

Установите на пиле указанные углы и выполните несколько пробных разрезов. Попрактикуйтесь в совмещении вырезанных деталей до тех пор, пока не освоитесь с данной процедурой.

Пример: Для изготовления 4-стороннего ящика с внешним углом 26° (угол «А», Рис. R), используйте правую верхнюю кривую. Найдите метку 26° на кривой диаграммы. Проведите горизонтальную линию до любой из сторон для определения угла скоса, который следует установить на пиле (42°). Таким же образом проведите вертикальную линию до нижнего или верхнего края для определения угла наклона, который следует установить на пиле (18°). Всегда выполняйте пробные разрезы на нескольких обрезках дерева для проверки настроек пилы.



Пиление плинтусов (Рис. S)

Прямыерезы под углом 90°:

Расположите заготовку вплотную к направляющей и удерживайте ее на месте, как показано на Рисунке S. Включите пилу, дождитесь, пока диск не наберет полную скорость, и мягко опустите пильную головку на заготовку, делая рез.

Распил плинтусов шириной до 89 мм, вертикально расположенных вплотную к направляющей

Расположите материал, как показано на Рисунке S.

При распиле плинтус должен располагаться задней стороной вплотную к направляющей и нижним краем на распиловочном столе.

	ВНУТРЕННИЙ УГОЛ	ВНЕШНИЙ УГОЛ
Левая сторона	Скос влево 45° Сохраняйте левую сторону распила	Скос вправо 45° Сохраняйте левую сторону распила
Правая сторона	Скос вправо 45° Сохраняйте правую сторону распила	Скос влево 45° Сохраняйте правую сторону распила

Для заготовки, ширина которой не превышает 89 мм, распил осуществляется так, как описано выше. Толщина заготовок не должна превышать 19 мм.

Пиление потолочных плитусов (Рис. T, U)

Для правильного соединения всех частей пиление потолочных плитусов комбинированным методом требует соблюдения повышенной точности. Две плоские поверхности данного отрезка потолочного плитуса должны иметь такие углы среза, чтобы при их соединении получился угол точно 90°. У большинства (но не у всех) потолочных плитусов верхняя задняя секция (прилегающая к потолку) имеет угол 52°, а нижняя задняя секция (прилегающая к стене) имеет угол 38°. Ваша торцовочная пила имеет предварительно установленный угол скоса 31,6° влево и вправо для пиления потолочных плитусов под правильным углом. Также на градуированной шкале угла наклона имеется отметка 33,8°. В таблице «Установка угла наклона/Тип реза» приведены правильные настройки для пиления потолочных плитусов. (Для установки угла скоса и угла наклона даны точные значения, которые сложно выставить на пиле.) Так как в большинстве помещений идеальные углы в 90° отсутствуют, вам все равно придется тщательно регулировать ваши настройки.

ОЧЕНЬ ВАЖНО ПРОИЗВЕСТИ ПРОБНЫЕ РЕЗЫ НА ОБРЕЗКАХ МАТЕРИАЛА!

Инструкции по пилению потолочных плитусов, уложенных горизонтально, с применением метода комбинированного пиления

1. Расположите потолочный плитус на распиловочном столе задней плоской поверхностью вниз (Рис. T).
2. Ниже приведены настройки для стандартных потолочных плитусов (ССША) с углами 52° и 38°.

УСТАНОВКА УГЛА НАКЛОНА	ТИП РЕЗА
33,8°	ЛЕВАЯ СТОРОНА, ВНУТРЕННИЙ УГОЛ: Верхняя сторона плитуса прижата к направляющей Угол скоса установлен вправо на 31,62° Сохраняйте левый конец распила
33,8°	ПРАВАЯ СТОРОНА, ВНУТРЕННИЙ УГОЛ: Нижняя сторона плитуса прижата к направляющей Угол скоса установлен влево на 31,62° Сохраняйте левый конец распила
33,8°	ЛЕВАЯ СТОРОНА, ВНЕШНИЙ УГОЛ: Нижняя сторона плитуса прижата к направляющей Угол скоса установлен влево на 31,62° Сохраняйте правый конец распила
33,8°	ПРАВАЯ СТОРОНА, ВНЕШНИЙ УГОЛ: Верхняя сторона плитуса прижата к направляющей Угол скоса установлен вправо на 31,62° Сохраняйте правый конец распила

ПРИМЕЧАНИЕ: При установке угла скоса и угла наклона для всех комбинированных резов помните, что углы потолочных плитусов требуют повышенной точности, соблюсти которую при настройке чрезвычайно сложно. Поскольку лишь небольшое количество помещений имеют углы между стеной и потолком точно 90°, настройки каждый раз могут слегка изменяться, поэтому всегда проверяйте правильность настроек на обрезках материала.

ОЧЕНЬ ВАЖНО ПРОИЗВЕСТИ ПРОБНЫЕ РЕЗЫ НА ОБРЕЗКАХ МАТЕРИАЛА!

Альтернативный способ пиления потолочных плитусов

Расположите плитус под углом между направляющей 11 и распиловочным столом 43, как показано на Рис. U.

Преимуществом данного метода при пилении потолочных плитусов является отсутствие необходимости в пиении с наклоном. Небольшие изменения угла скоса могут выполняться без воздействия на угол наклона. Таким образом, если необходимо использование углов, которые не соответствуют 90°, пилу можно легко и быстро настроить для такого применения.

Инструкции по пилению потолочных плитусов, расположенных под углом между направляющей и основанием пилы, с применением всех видов резов

Данная пила может использоваться для пиления группы одинаковых потолочных плитусов, общий размер которых не превышает 14 мм x 92 мм.

1. Расположите плитус под углом между направляющей 11 и распиловочным столом 43, как показано на Рис. U.
2. Угловые срезы на задней стороне плитуса должны располагаться точно по направляющей и распиловочному столу.

	ВНУТРЕННИЙ УГОЛ	ВНЕШНИЙ УГОЛ
Левая сторона	Скос вправо 45° Сохраняйте правую сторону распила	Скос влево 45° Сохраняйте правую сторону распила
Правая сторона	Скос влево 45° Сохраняйте левую сторону распила	Скос вправо 45° Сохраняйте левую сторону распила

Специальные резы

НИКОГДА НЕ ПРОИЗВОДИТЕ ПИЛЕНИЕ, ЕСЛИ МАТЕРИАЛ НЕ ЗАКРЕПЛЕН НА СТОЛЕ И ВПЛОТНУЮ К НАПРАВЛЯЮЩЕЙ.

Изогнутый материал (Рис. V, W)

При распиловке заготовок изогнутой формы всегда располагайте их, как показано на Рис. V, и никогда не кладите, как показано на Рис. W. Неправильное расположение заготовки может явиться причиной защемления лезвия пильного диска до завершения реза.

Пиление круглых профилей

ВО ИЗБЕЖАНИЕ ПЕРЕКАТЫВАНИЯ, КРУГЛЫЕ ПРОФИЛИ ДОЛЖНЫ БЫТЬ ЗАКРЕПЛЕНЫ ПРИ ПОМОЩИ ЗАЖИМОВ ИЛИ НАДЕЖНО ПРИЖИМАТЬСЯ ВПЛОТНУЮ К НАПРАВЛЯЮЩЕЙ. Это очень важно иметь в виду при выполнении разрезов под углом.

Распил крупных заготовок (Рис. X)

Иногда деревянная заготовка бывает немного шире, чтобы свободно разместиться под нижним защитным кожухом диска. Чтобы приоткрыть защитный кожух над заготовкой, выключите пилу, положите правую руку на рабочую рукоятку, а большой палец правой руки на внешнюю верхнюю часть защитного кожуха и проверните его немного вверх, ровно настолько, чтобы открыть заготовку, как показано на Рис. X. Прежде чем запустить двигатель, отпустите защитный кожух. Во время распила механизм защитного кожуха будет функционировать надлежащим образом. Используйте этот прием только в случаях острой необходимости. НИКОГДА НЕ ПРИВЯЗЫВАЙТЕ, НЕ ЗАКЛЕИВАЙТЕ ЛИПКОЙ ЛЕНТОЙ И НЕ УДЕРЖИВАЙТЕ КАКИМ-ЛИБО ДРУГИМ СПОСОБОМ ЗАЩИТНЫЙ КОЖУХ ОТКРЫТЫМ ВО ВРЕМЯ РАБОТЫ ПИЛЫ.

ТЕХНИЧЕСКОЕ ОБСЛУЖИВАНИЕ

Электроинструмент имеет длительный срок эксплуатации и требует минимальных затрат на техобслуживание. Для длительной безотказной работы необходимо обеспечить правильный уход за инструментом и его регулярную очистку.

ВНИМАНИЕ: Чтобы снизить риск получения серьезной травмы, необходимо выключить инструмент и отсоединить батарею, прежде чем выполнять какую-либо регулировку либо удалять/устанавливать какие-либо насадки или дополнительные принадлежности. Случайный запуск может привести к травме.

Зарядное устройство и аккумуляторные батареи неремонтопригодны.



Смазка

Ваш электроинструмент не требует дополнительной смазки.



Чистка

ВНИМАНИЕ: Выдувайте грязь и пыль из корпуса сухим сжатым воздухом по мере видимого скопления грязи внутри и вокруг вентиляционных отверстий. Выполняйте очистку, надев средство защиты глаз и респиратор утвержденного типа.

ВНИМАНИЕ: Никогда не используйте растворители или другие агрессивные химические средства для очистки неметаллических деталей инструмента. Эти химикаты могут ухудшить свойства материалов, примененных в данных деталях. Используйте ткань, смоченную в воде с мягким мылом. Не допускайте попадания какой-либо жидкости внутрь инструмента; ни в коем случае не погружайте какую-либо часть инструмента в жидкость.

Дополнительные принадлежности

ВНИМАНИЕ: В связи с тем, что дополнительные принадлежности других производителей, кроме DeWALT, не проходили проверку на совместимость с данным изделием, их использование может представлять опасность. Во избежание травм следует использовать для данного инструмента только дополнительные принадлежности, рекомендованные DeWALT.

Следующие дополнительные принадлежности для данной пилы могут быть для вас полезны. В некоторых случаях допустимо использование столов, ограничителей и зажимов от сторонних производителей. Подходите к выбору и использованию принадлежностей со всей ответственностью. Проконсультируйтесь со своим продавцом для получения дополнительной информации.

Пильные диски

ИСПОЛЬЗУЙТЕ ТОЛЬКО ПИЛЬНЫЕ ДИСКИ ДИАМЕТРОМ 184 мм С КРУГЛЫМ ПОСАДОЧНЫМ ОТВЕРСТИЕМ ДИАМЕТРОМ 16 мм И МАКСИМАЛЬНЫМ ШАГОМ ЗУБЬЕВ 2,1 мм. МИНИМАЛЬНАЯ СКОРОСТЬ ВРАЩЕНИЯ НЕ ДОЛЖНА БЫТЬ НИЖЕ 4000 об./мин. НЕ ИСПОЛЬЗУЙТЕ ПИЛЬНЫЕ ДИСКИ С ПОСАДОЧНЫМИ ОТВЕРСТИЯМИ РОМБОВИДНОЙ ФОРМЫ. Никогда не используйте диски другого диаметра. Они не будут надежно

закрывать защитным кожухом. Используйте только пильные диски для поперечного распила! Не используйте пильные диски, предназначенные для продольной распиловки, комбинированные диски или диски, угол зубьев которых превышает 7°.

ТИПЫ ПИЛЬНЫХ ДИСКОВ		
ПРИМЕНЕНИЕ	ДИАМЕТР	ЗУБЬЯ
Универсальное применение	184 мм	40
Точный распил по дереву	184 мм	60

Защита окружающей среды



Отдельная утилизация. Изделия и аккумуляторные батареи с данным символом на маркировке запрещается утилизировать с обычными бытовыми отходами.

Изделия и аккумуляторные батареи содержат материалы, которые могут быть извлечены или переработаны, снижая потребность в исходном сырье. Пожалуйста, утилизируйте электрические изделия и аккумуляторные батареи в соответствии с местными нормами. Дополнительная информация доступна по адресу www.2helpU.com.

Аккумуляторная батарея

Данную аккумуляторную батарею с длительным сроком эксплуатации необходимо перезаряжать, когда она перестает обеспечивать питание, необходимое для выполнения определенных работ. По окончании срока эксплуатации ее следует утилизировать, соблюдая при этом необходимые меры по защите окружающей среды:

- полностью разрядите батарею до конца и извлеките ее из инструмента.
- литий-ионные аккумуляторные батареи подлежат вторичной переработке. Сдайте их нашему дилеру или в местный центр вторичной переработки. В этих пунктах батареи будут подвергнуты повторной переработке или правильной утилизации.

Возможные неисправности и способы их устранения СЛЕДУЙТЕ ПРАВИЛАМ И ИНСТРУКЦИЯМ ТЕХНИКИ БЕЗОПАСНОСТИ

ПРОБЛЕМА	В ЧЕМ ПРИЧИНА?	ВАШИ ДЕЙСТВИЯ
Пила не включается	Не установлена батарея	Установка аккумуляторной батареи. См. раздел « <i>Установка и извлечение аккумуляторной батареи</i> ».
	Аккумуляторная батарея разряжена	Зарядите аккумуляторную батарею. См. раздел « <i>Зарядка аккумуляторной батареи</i> ».
	Щетки изношены	Замените щетки в авторизованном сервисном центре.
Неудовлетворительное качество резки	Затупился диск	Замените диск. См. раздел « <i>Замена или установка нового пильного диска</i> ».
	Диск установлен задом наперед	Переверните диск. См. раздел « <i>Замена и установка нового пильного диска</i> ».
	Камедь или смола на диске	Снимите диск и прочистите грубой стальной мочалкой и скипидаром или чистящим средством для духовых шкафов.
	Неправильный диск для типа выполняемых работ	Смените тип диска. См. подраздел « <i>Пильные диски</i> » в разделе « <i>Дополнительные принадлежности</i> ».
Мигает подсветка XPS™	Аккумуляторная батарея разряжена	Зарядите аккумуляторную батарею. См. раздел « <i>Зарядка аккумуляторной батареи</i> ».
Чрезмерная вибрация машины	Пила недостаточно крепко смонтирована на столе или верстаке	Затяните все фиксаторы. См. раздел « <i>Крепление пилы на верстаке</i> ».
	Стол или верстак стоят на неровной поверхности	Установите на ровную поверхность. См. раздел « <i>Ознакомление</i> ».
	Износ пильного диска	Замените диск. См. раздел « <i>Замена или установка нового пильного диска</i> ».
Неточные распилы со скосом	Шкала скоса отрегулирована неправильно	Проверьте и отрегулируйте. См. подраздел « <i>Регулировка шкалы скоса</i> » в разделе « <i>Регулировка</i> ».
	Диск не под прямым углом к направляющей	Проверьте и отрегулируйте. См. подраздел « <i>Регулировка шкалы скоса</i> » в разделе « <i>Регулировка</i> ».
	Диск не под прямым углом к столу	Проверьте и отрегулируйте направляющую. См. раздел « <i>Регулировка перпендикулярности диска относительно стола</i> » в разделе « <i>Регулировка</i> ».
	Заготовка сдвигается	Зафиксируйте заготовку вплотную к направляющей при помощи зажима или резиновым клеем приклейте к направляющей 120-ти зернистую шлифовальную бумагу.
	Пластина для пропила повреждена или изношена	Обратитесь в авторизованный сервисный центр.
Диск застревает в заготовке	Распил заготовок изогнутой формы	См. подраздел « <i>Заготовки изогнутой формы</i> » в разделе « <i>Специальныерезы</i> ».



Приложение к руководству по эксплуатации электрооборудования для определения месяца производства по номеру текущей календарной недели года

Электрооборудование торговых марок "Dewalt", "Stanley", "Stanley FatMAX", "BLACK+DECKER".

Директивы 2014/30/EU ЕВРОПЕЙСКОГО ПАРЛАМЕНТА И СОВЕТА от 26 февраля 2014 г. "О гармонизации законодательств Государств-членов ЕС в области электромагнитной совместимости", 2006/42/ЕС ЕВРОПЕЙСКОГО ПАРЛАМЕНТА И СОВЕТА от 17 мая 2006 г. "О машинах и оборудовании"; 2014/35/EU ЕВРОПЕЙСКОГО ПАРЛАМЕНТА И СОВЕТА от 26 февраля 2014 г. "О гармонизации законодательств государств-членов в области размещения на рынке электрооборудования, предназначенного для использования в определенных пределах напряжения".
Серийный выпуск.

ТОВАР СЕРТИФИЦИРОВАН

Орган по сертификации "РОСТЕСТ- Москва", Адрес: 119049, г. Москва, улица Житная, д. 14, стр. 1; 117418, Москва, Нахимовский просп., 31 (фактический), Телефон: (499) 1292311, (495) 6682893, Факс: (495) 6682893, E-mail: office@rostest.ru
Изготовитель: Изготовитель: Блэк энд Деккер Холдингс ГмБХ, Германия, 65510, Идштайн, ул. Блэк энд Деккер, 40, тел. +496126212790.

Уполномоченное изготовителем юр.лицо:

ООО "Стэнли Блэк энд Деккер", 117485, город Москва, улица Обручева, дом 30/1, строение 2
Телефон: + 7 (495) 258-3981, факс: + 7 (495) 258-3984, E-mail: inbox@dewalt.com
Сведения о импортере указаны в сопроводительной документации и/или на упаковке

Хранение.

Необходимо хранить в сухом месте, вдали от источников повышенных температур и воздействия солнечных лучей. При хранении необходимо избегать резкого перепада температур. Хранение без упаковки не допускается

Срок службы.

Срок службы изделия составляет 5 лет. Не рекомендуется к эксплуатации по истечении 5 лет хранения с даты изготовления без предварительной проверки.

Дата изготовления (код даты) указана на корпусе инструмента.

Код даты, который также включает год изготовления, отштампован на поверхности корпуса изделия.

Пример:

2014 46 XX, где 2014 –год изготовления, 46-неделя изготовления.

Определить месяц изготовления по указанной неделе изготовления можно согласно приведенной ниже таблице.

Транспортировка.

Категорически не допускается падение и любые механические воздействия на упаковку при транспортировке.

При разгрузке/погрузке не допускается использование любого вида техники, работающей по принципу зажима упаковки.

Перечень критических отказов, возможные ошибочные действия персонала.

Не допускается эксплуатация изделия:

- При появлении дыма из корпуса изделия
- При поврежденном и/или оголенном сетевом кабеле
- при повреждении корпуса изделия, защитного кожуха, рукоятки
- при попадании жидкости в корпус
- при возникновении сильной вибрации
- при возникновении сильного искрения внутри корпуса

Критерии предельных состояний.

- При поврежденном и/или оголенном сетевом кабеле
- при повреждении корпуса изделия

Месяц	Январь	Февраль	Март	Апрель	Май	Июнь	Июль	Август	Сентябрь	Октябрь	Ноябрь	Декабрь	Год производства
Неделя	1	5	9	14	18	23	27	31	36	40	44	49	2018
	2	6	10	15	19	24	28	32	37	41	45	50	
	3	7	11	16	20	25	29	33	38	42	46	51	
	4	8	12	17	21	26	30	34	39	43	47	52	
			13		22			35			48		
Неделя	1	6	10	14	18	23	27	31	36	40	45	49	2019
	2	7	11	15	19	24	28	32	37	41	46	50	
	3	8	12	16	20	25	29	33	38	42	47	51	
	4	9	13	17	21	26	30	34	39	43	48	52	
	5				22			35		44			
Неделя	1	6	10	14	19	23	27	32	36	40	45	49	2020
	2	7	11	15	20	24	28	33	37	41	46	50	
	3	8	12	16	21	25	29	34	38	42	47	51	
	4	9	13	17	22	26	30	35	39	43	48	52	
	5			18			31			44			
Неделя	2	6	10	14	19	23	27	32	36	41	45	49	2021
	3	7	11	15	20	24	28	33	37	42	46	50	
	4	8	12	16	21	25	29	34	38	43	47	51	
	5	9	13	17	22	26	30	35	39	44	48	52	
				18			31		40			1	
Неделя	2	6	10	15	19	23	28	32	36	41	45	49	2022
	3	7	11	16	20	24	29	33	37	42	46	50	
	4	8	12	17	21	25	30	34	38	43	47	51	
	5	9	13	18	22	26	31	35	39	44	48	52	
			14			27			40			1	

АКУМУЛЯТОРНА РОЗСУВНА КОМБІНОВАНА ТОРЦЮВАЛЬНА ПИЛКА

DCS365

Вітаємо вас!

Ви обрали інструмент виробництва компанії DEWALT. Ретельна розробка продукції, багаторічний досвід фірми у виробництві інструментів, різні вдосконалення, все це зробило інструменти DEWALT є одними із найнадійніших помічників для тих, хто використовує електричні інструменти у своїй професії.

Технічні дані

		DCS365
Напруга	В пост. струму	18
Тип		1
Тип батареї		Літій-іонна
Діаметр пильного диска	мм	184
Діаметр отвору диска	мм	16
Товщина диска	мм	1
Макс. число обертів диску	хв.-1	3750
Макс. ширина брусу при торцюванні під кутом 90°	мм	50
Макс. висота брусу при скосі 45°	мм	35,3
Макс. кут скосу	вліво вправо	45° 45°
Макс. кут нахилу	вліво вправо	48° 0°
Кут скосу 0°		
Результуюча ширина при макс. висоті 50 мм	мм	250
Результуюча висота при макс. ширині 90 мм	мм	15
Кут скосу 45° зліва		
Результуюча ширина при макс. висоті 50 мм	мм	176
Результуюча висота при макс. ширині 90 мм	мм	8
Кут скосу 45° справа		
Результуюча ширина при макс. висоті 50 мм	мм	176
Результуюча висота при макс. ширині 90 мм	мм	8
Кут нахилу 45° зліва		
Результуюча ширина при макс. висоті 35 мм	мм	250
Автоматичне відключення обертання диску	с	< 10
Маса без батареї	кг	10,5

Значення рівня шуму та/або вібрації (триаксильна векторна сума) відповідно до стандарту EN62841-3-9:		
L_{PA} (рівень тиску звукового випромінювання)	дБ(А)	88
L_{WA} (рівень акустичної потужності)	дБ(А)	93
K (похибка для даного рівня гучності)	дБ(А)	2,0

Значення вібрації $ah =$	m/s^2	< 2,5
Похибка K =	m/s^2	1,5

Значення вібрації та/або шуму, наведене в цьому документі, було виміряне згідно зі стандартизованим тестом, викладеним в EN62841 та може використовуватись для порівняння інструментів. Це значення вібрації можна також використовувати для попередньої оцінки впливу вібрації.

⚠ ПОПЕРЕДЖЕННЯ: Заявлене значення вібрації та/або шуму відповідає вимогам цільового використання інструмента. Однак якщо інструмент використовується для виконання інших завдань, або з іншими витратними матеріалами/насадками, або не обслуговується належним чином, значення вібрації та/або шуму може відхилитися. Це може значно збільшити рівень впливу протягом усього періоду роботи.

Оцінка рівня впливу вібрації та/або шуму має враховувати час, протягом якого інструмент є вимкненим, а також час, протягом якого він є ввімкненим, але не використовується. Це може значно зменшити рівень впливу протягом усього періоду роботи.

Визначення додаткових заходів безпеки для захисту оператора від впливу вібрації та/або шуму: технічне обслуговування інструмента та приладдя, утримання рук у теплі (має значення для вібрації), організація режиму роботи.

Декларація про відповідність ЄС

ДИРЕКТИВА ДЛЯ МЕХАНІЧНОГО ОБЛАДНАННЯ

ТОРЦЮВАЛЬНА ПИЛКА
DCS365

Компанія DEWALT заявляє, що ці продукти, описані у розділі «Технічні дані» відповідають: 2006/42/EC, EN62841-1:2015/AC:2015; EN62841-3-9:2015 + AC:2016 + A11:2017.

Ці продукти також відповідають вимогам Директив 2014/30/EU та 2011/65/EU. Для отримання додаткової інформації, будь ласка, зверніться до компанії DEWALT за наступною адресою або прочитайте інформацію на зворотній стороні цього керівництва. Нижчепідписаний несе відповідальність за упорядкування файлу технічних характеристик та робить цю заяву від компанії DEWALT.

Маркус Ромпель (Markus Rompel)
технічний директор, PTE-Europa
DEWALT, Richard-Klinger-Straße 11,
D-65510, Idstein, Німеччина
01.11.2019



ПОПЕРЕДЖЕННЯ: Уважно прочитайте керівництво за експлуатації для зниження ризику отримання травм.

Позначення: інструкції з техніки безпеки

Умовні позначення, наведені нижче, описують рівень важливості кожної попереджувальної вказівки. Прочитайте керівництво за експлуатації та зверніть увагу на символи, наведені нижче.



НЕБЕЗПЕЧНО: Указує на безпосередню загрозу, яка, якщо її не уникнути, призведе до смерті або серйозної травми.



ПОПЕРЕДЖЕННЯ: Вказує на потенційну загрозу, ігнорування якої може призвести до смерті або серйозної травми.



УВАГА: Вказує на потенційну загрозу, ігнорування якої може призвести до травми легкої або середньої тяжкості.

ПРИМІТКА: Вказує на ситуацію, не пов'язану з особистою травмою, ігнорування цієї ситуації може призвести до пошкодження майна.



Вказує на ризик ураження електричним струмом.



Вказує на ризик виникнення пожежі.

ЗАГАЛЬНІ ПРАВИЛА БЕЗПЕКИ ПРИ ЕКСПЛУАТАЦІЇ
ЕЛЕКТРИЧНОГО ІНСТРУМЕНТА

ПОПЕРЕДЖЕННЯ: Ознайомтеся з усіма попередженнями, інструкціями з техніки безпеки, зображеннями та специфікаціями, які поставляються з даним електричним інструментом. Невиконання нижченаведених інструкцій може призвести до ураження електричним струмом, пожежі та/або серйозних тілесних ушкоджень.

ЗБЕРІГАЙТЕ ВСІ ПОПЕРЕДЖЕННЯ ТА ІНСТРУКЦІЇ
ДЛЯ ПОДАЛЬШОГО ВИКОРИСТАННЯ

Термін «електричний інструмент» в усіх попередженнях стосується використовуваних вами інструментів, що живляться від мережі енергопостачання (з електричним кабелем) або від акумуляторів (без кабелю).

1) Безпека робочої зони

- Робоча зона завжди має бути чистою та добре освітленою. Захаращена або темна робоча зона призводить до нещасних випадків.
- Не використовуйте електричні інструменти у вибухонебезпечній атмосфері, наприклад поруч із вогненебезпечними рідинами, газами та пилом. Електричні інструменти створюють іскри, що можуть запалити пил або пару.
- Тримайте дітей та сторонніх подалі під час використання інструмента. Відвернення уваги може призвести до втрати контролю.

2) Електрична безпека

- Вилка електричного інструмента повинна відповідати розетці. Ніколи жодним чином не змінюйте вилку. Не використовуйте адаптери з замкнутими на землю (заземленими) електричними інструментами. Немодифіковані вилки та розетки, що підходять до них, зменшують ризик ураження електричним струмом.
- Уникайте контакту тіла з заземленими поверхнями, такими як труби, радіатори, плити та холодильники. Якщо ваше тіло заземлене, збільшується ризик ураження електричним струмом.
- Не залишайте електричні інструменти під дощем або в умовах підвищеної вологості. Вода, що потрапляє в електричний інструмент, підвищує ризик ураження електричним струмом.
- Не використовуйте кабель живлення не за призначенням. Ніколи не переносьте, не тягніть та не відключайте електричний інструмент від розетки живлення за допомогою шнура. Тримайте шнур подалі від високих температур, мастила, гострих предметів та рухомих деталей. Пошкоджені або перекручені шнури підвищують ризик ураження електричним струмом.
- При використанні електричного інструмента на вулиці, використовуйте подовжувальний шнур, що підходить для використання

Батареї				Зарядні пристрої/час зарядки (у хвиликах)									
Кат. №	V _{dc}	Ah	Маса (kg)	DCB104	DCB107	DCB112	DCB113	DCB115	DCB116	DCB117	DCB118	DCB132	DCB119
DCB546	18/54	6,0/2,0	1,05	60	270	170	140	90	80	40	60	90	X
DCB547	18/54	9,0/3,0	1,46	75*	420	270	220	135*	110*	60	75*	135*	X
DCB548	18/54	12,0/4,0	1,44	120	540	350	300	180	150	80	120	180	X
DCB181	18	1,5	0,35	22	70	45	35	22	22	22	22	22	45
DCB182	18	4,0	0,61	60/40**	185	120	100	60	60/45**	60/40**	60/40**	60	120
DCB183/B	18	2,0	0,40	30	90	60	50	30	30	30	30	30	60
DCB184/B	18	5,0	0,62	75/50**	240	150	120	75	75/60**	75/50**	75/50**	75	150
DCB185	18	1,3	0,35	22	60	40	30	22	22	22	22	22	X
DCB187	18	3,0	0,54	45	140	90	70	45	45	45	45	45	90
DCB189	18	4,0	0,54	60	185	120	100	60	60	60	60	60	120

*Код дати 201811475В або пізніше

**Код дати 201536 або пізніше

на вулиці. Використання шнура, що призначений для використання поза приміщенням, знижує ризик ураження електричним струмом.

- f) **Якщо неможливо уникнути використання електричного інструмента в умовах підвищеної вологості, використовуйте живлення, захищене пристроєм залишкового струму (RCD).** Використання RCD знижує ризик ураження електричним струмом.

3) Особиста безпека

- a) **Будьте в стані готовності, дивіться, що ви робите, та будьте розсудливі, працюючи з електричним інструментом. Не використовуйте електричний інструмент, коли ви втомлені або знаходитесь під впливом наркотичних речовин, алкоголю або ліків.** Втрата уваги під час роботи з електричним інструментами може призвести до серйозних травм.
- b) **Використовуйте особисті засоби безпеки. Завжди використовуйте засоби захисту очей.** Засоби безпеки, такі як протипилова маска, неслизькі безпечні черевки, захисний шолом та засоби захисту слухового апарату при використанні для відповідних умов зменшують імовірність особистих травм.
- c) **Уникайте випадкового запуску. Переконайтесь в тому, що вимикач знаходиться в позиції Вимк., перш ніж підключати інструмент до джерела живлення та/або акумулятора, переміщувати або переносити.** Може статися нещасний випадок, коли ви переносите інструмент, тримаючи палець на вимикачі, або підключаєте живлення до вимикача в позиції Увімк.
- d) **Зніміть усі ключі для регулювання або гайкові ключі, перш ніж вмикати електричний інструмент.** Гайковий ключ, що залишився прикріпленим до якоїсь деталі електричного пристрою, що обертається, може призвести до травм.
- e) **Не прикладайте надмірного зусилля. Завжди утримуйте правильну постановку ніг і рівновагу.** Це дає вам змогу краще контролювати інструмент в неочікуваних ситуаціях.
- f) **Одягайтеся відповідним чином. Не вдягайте вільний одяг або прикраси. Тримайте ваше волосся та одяг подалі від рухомих деталей.** Вільний одяг, прикраси або довге волосся можуть зачепитися за рухомі деталі.
- g) **Якщо передбачені пристрої для підключення до засобів виділення та збирання пилу, переконайтесь, що вони правильно підключені та використовуються.** Використання таких пристроїв зменшує ризик виникнення небезпечних ситуацій, що пов'язані з потраплянням пилу.
- h) **Навіть якщо ви добре знаєте інструмент та часто його використовуйте, не розслабляйтесь та не забувайте про принципи техніки безпеки.** Необережні дії можуть за долю секунди призвести до важких тілесних ушкоджень.

4) Використання електричного інструмента та догляд за ним

- a) **Не прикладайте надмірних зусиль під час роботи з інструментом. Використовуйте електричний інструмент, який відповідає завданню, що виконується.** Правильно обраний інструмент виконає завдання краще та безпечніше за умов, для яких він був розроблений.
- b) **Не використовуйте інструмент, якщо його неможливо ввімкнути та вимкнути за допомогою вимикача.** Будь-який електричний інструмент, яким неможливо керувати за допомогою вимикача, є небезпечним і має бути відремонтований.
- c) **Якщо вилка знімна, відключіть її від джерела живлення та/або вийміть акумулятор, перш ніж виконувати будь-які налаштування, змінювати додаткове обладнання або зберігати інструмент.** Ці профілактичні заходи зменшують ризик випадкового запуску електричного інструмента.
- d) **Зберігайте вимкнені електричні інструменти в недоступному для дітей місці та не дозволяйте особам, що не знайомі з електричним інструментом або цими інструкціями, використовувати електричний інструмент.** Електричні інструменти є небезпечними, якщо вони використовуються некваліфікованими користувачами.
- e) **Технічне обслуговування електричних інструментів та приладдя. Перевіряйте несівісність, заїдання рухомих деталей, наявність пошкоджених частин та інших факторів, які можуть впливати на роботу електричного інструмента.** Якщо є пошкодження, відремонтуйте електричний інструмент перед використанням. Нещасні випадки часто є результатом того, що інструмент не пройшов відповідного технічного обслуговування.

- f) **Різальні інструменти мають бути гострими та чистими.** Правильно доглянуті різальні інструменти з гострими різальними кромками мають меншу імовірність заїдання, та ними легше керувати.
- g) **Використовуйте електричний інструмент, додаткові інструменти та деталі інструменту тощо у відповідності до цих інструкцій та відповідно до даного типу електричних інструментів, зважаючи на умови використання та роботу, яка має бути виконана.** Використання електричних інструментів не за призначенням може призвести до виникнення небезпечних ситуацій.
- h) **Всі ручки та поверхні для тримання інструмента мають бути сухими, без залишків мастила.** Слизькі ручки та поверхні для тримання не дозволяють безпечно працювати та контролювати інструмент у неочікуваних ситуаціях.

5) Використання та догляд за інструментом, що живиться від акумулятора

- a) **Заряджайте інструмент лише за допомогою зарядного пристрою, вказаного виробником.** Зарядний пристрій, що підходить до одного типу акумуляторів, може призвести до пожежі в разі використання з іншим акумулятором.
- b) **Використовуйте електричні інструменти лише з призначеними для них акумуляторами.** Використання інших акумуляторів може призвести до травм або пожежі.
- c) **Коли акумулятори не використовуються, зберігайте їх подалі від металевих предметів, як скріпки, монети, ключі, цвяхи, гвинти або інші невеликі предмети, що можуть призвести до замикання двох контактів.** Коротке замикання клем акумулятора може призвести до вибуху або пожежі.
- d) **За невідповідних умов використання рідина може втекти з акумулятора; уникайте контакту з цією рідиною.** Якщо контакт така стався, промийте забруднену ділянку водою. Якщо рідина потрапила в очі, промийте водою та зверніться до лікаря. Рідина, що витікає з акумулятора, може призвести до подразнень та опіків.
- e) **Не використовуйте пошкоджений або модифікований акумулятор або інструмент.** Пошкоджені або модифіковані акумулятори можуть поводити себе непередбачуваним чином, призводячи до пожежі, вибуху або тілесним ушкодженням.
- f) **Не піддавайте акумулятор та інструмент дії вогню та надмірних температур.** Дія вогню або температури вище 130 °C може спричинити вибух.
- g) **Виконуйте всі інструкції щодо зарядки; заряджайте акумулятор та інструмент тільки в межах температурного діапазону, вказаного в інструкціях.** Неналежна зарядка або зарядка поза межами вказаного температурного діапазону може пошкодити акумулятор та підвищити ризик пожежі.

6) Обслуговування

- a) **Надавайте ваш електричний інструмент для обслуговування кваліфікованим спеціалістом з ремонту та використовуйте тільки ідентичні замініні деталі.** Це забезпечить безпеку електричного пристрою.
- b) **Ніколи не обслуговуйте пошкоджені акумулятори самостійно.** Обслуговування акумуляторів мають виконувати представники виробника або працівники офіційного сервісного центру.

Інструкції з техніки безпеки для торцювальних пилок

- a) **Торцювальні пилки призначені для різання деревини або подібних їй виробів, їх не можна використовувати з абразивними відрізними кругами для різання чорних матеріалів, наприклад, брусків, стрижнів, шипів тощо.** Абразивний пил приводить до заїдання рухомих частин, таких як нижній захисний кожух. Іскри від абразивного різання можуть спалити нижній кожух, вставку для прорізу та інші пластикові деталі.
- b) **Використовуйте затискачі для надійної фіксації заготовки, коли це можливо.** Якщо заготовка утримується рукою, завжди тримайте руку на відстані якнайменше 100 мм по обидва боки від пильного диска. **Не використовуйте цю пилку для різання занадто маленьких деталей, які неможливо надійно затиснути або тримати вручну.** Якщо рука знаходиться занадто близько до пильного диска, виникає підвищений ризик травмування в результаті контакту з ним.
- c) **Заготовку слід нерухомо затискати або утримувати на напрямній та на столі.** Забороняється подавати заготовку на диск або розрізати з

- «вільними руками». Заготовки, що не утримуються або рухаються, можуть бути викинуті з високою швидкістю, що може спричинити травму.
- d) **Протискуйте пилку через заготовку. Не тягніть пилку через заготовку. Щоб виконати різання, підійміть ріжучу голівку і витягніть її над заготовкою без різання, запустіть двигун, натисніть на ріжучу голівку і протискуйте пилку через заготовку.** Різка на хід пилки може призвести до того, що пильний диск залізе на заготовку і різко перекине вузол пилки в бік оператора.
 - e) **Ніколи не перетинайте рукою лінію розпилу ані спереду, ані ззаду пильного диска.** Утримання заготовки «навхрест», тобто утримання заготовки праворуч від пильного диска лівою рукою або навпаки є дуже небезпечним.
 - f) **Під час обертання пильного диска не наближайтеся до напрямної жодної рукою ближче, ніж на 100 мм по обидва боки пильного диска, щоб віддалити тирсу або з будь-якої іншої причини.** Близькість пильного диска під час обертання до руки може бути не очевидно і призвести до серйозних травм.
 - g) **Перед виконанням різання огляньте заготовку. Якщо заготовка зігнута або викривлена, затисніть її зовнішньої зігнутою стороною до напрямної. Завжди стежте за тим, щоб між заготовкою, напрямною і столом не було зазору по лінії розрізу.** Вигнуті або викривлені заготовки можуть скручуватися або зміщуватися і при різанні можуть стати причиною заїдання на пильному диску, що обертається. В заготовці не повинно бути цвяхів або сторонніх предметів.
 - h) **Не використовуйте пилку, поки не очистите стіл від усіх інструментів, тирси тощо, окрім заготовки.** Невеликі уламки, вільні шматки дерева або інші предмети, що потрапляють на диск, що обертається, можуть бути викинуті з високою швидкістю.
 - i) **Розпилюйте одну заготовку за раз.** Неможливо належним чином затиснути або закріпити кілька покладених в штабель заготовок, вони можуть зачепитися за диск або зрушитись під час різання.
 - j) **Перед використанням переконайтеся, що торцювальна пилка змонтована або встановлена на рівній та міцній робочій поверхні.** Рівна і міцна робоча поверхня знижує ризик нестійкості торцювальної пилки.
 - k) **Плануйте свою роботу. Кожного разу, коли ви змінюєте кут нахилу або скосу, переконайтеся, що резульована напрямна встановлена правильно для утримання заготовки, і не заважатиме диску та системі захисних елементів.** Не включаючи інструмент і без заготовки на столі зробіть повну імітацію різання пильним диском, щоб переконалися у відсутності перешкод або небезпеки порізів напрямної.
 - l) **Для заготовки, ширина або довжина якої більше, ніж стіл, забезпечте відповідну опору, таку як висувні столи, пильні козли тощо.** Заготовки, які довше або ширше, ніж стіл для торцювальної пилки, можуть перекидатися, якщо не забезпечена надійна опора. Якщо відрізана частина або заготовка перекидається, вона може підняти нижній кожух або бути викинута пильним диском під час обертання.
 - m) **Забороняється використовувати іншу особу замість висувного стола або в якості додаткової опори.** Нестабільна опора заготовки може призвести до заїдання диска або зміщення заготовки під час операції різання, втягуючи вас і помічника до диска, що обертається.
 - n) **Забороняється притискати відрізану частину до пильного диска, що обертається, або затискати її будь-яким способом.** При обмеженні, тобто при використанні обмежувачів довжини, відрізана частина може заклинюватися на лезі і бути відкинута із силою.
 - o) **Завжди використовуйте затискач або кріплення, призначене для правильного утримання круглих матеріалів, таких як стрижні або труби.** Стрижні мають схильність котитися під час різання, що призводить до того, що диск «кусається» і затягує до себе вашу руку.
 - p) **Дайте диску досягти повної швидкості перед контактом із заготовкою.** Це зменшить ризик викидання заготовки.
 - q) **Якщо заготовку або диск заклинило, вимкніть пилку. Зачекайте, доки всі рухомі частини зупиняться і від'єднайте штекер від джерела живлення та/або вийміть акумуляторну батарею. Потім звільніть матеріал, що застряг.** Продовження різання із затиснутою заготовкою може призвести до втрати контролю або пошкодження торцювальної пилки.
 - r) **Після завершення різання відпустіть перемикач, тримайте ріжучу голівку внизу і дочекайтеся зупинки пильного диска перед витяганням відрізаної частини.** Небезпечно дотикатися рукою до диска, який рухається за інерцією.
 - s) **При неповному розпилі або при відпусканні перемикача міцно тримайтеся за ручку увесь час до повного досягнення ріжучою голівкою нижнього положення.** Гальмування пилки може призвести до раптового втягування ріжучої головки донизу, що може спричинити травму.
- **ОТРИМАЙТЕ ПОРАДУ** від свого керівника, інструктора або іншої кваліфікованої особи, якщо ви не досконало знайомі з експлуатацією машини. Знання – це безпека.
 - **ПЕРЕКОНАЙТЕСЬ**, що пильний диск обертається у потрібному напрямку. Зубці на диску повинні бути спрямовані в напрямку обертання, як зазначено на пилці.
 - **ЗАТЯГНІТЬ УСІ ЗАТИСКНІ РУКОЯТКИ**, ручки та важелі перед початком роботи. Вільні затискачі можуть спричинити викидання деталей або заготовок на високій швидкості.
 - **ПЕРЕКОНАЙТЕСЬ**, що всі диски та затискачі дисків чисті, заглиблені сторони затискачів дисків знаходяться на дисках, а гвинт валу надійно затягнутий. Вільне або неправильне затискання диска може призвести до пошкодження пилки та травм.
 - **НЕ ВИКОРИСТОВУЙТЕ ІНШОГО НАПРУЖЕННЯ, КРІМ ПОЗНАЧЕНОГО** для пилки. Це може призвести до перегрівання, ушкодження інструменту та травм.
 - **НІКОЛИ НІЧОГО НЕ ВСТАВЛЯЙТЕ МІЖ ЛОПАТКАМИ ВЕНТИЛЯТОРА**, щоб зупинити вал двигуна. Це може призвести до ушкодження інструмента та травм.
 - **НІКОЛИ НЕ РОЗРІЗУЙТЕ МЕТАЛИ** та цеглу. Будь-яка з цих ситуацій може призвести до зіттаня з диска твердосплавних кінчиків на великій швидкості, спричиняючи серйозні травми.
 - **НІКОЛИ НЕ РОЗТАШОВУЙТЕ БУДЬ-ЯКІ ЧАСТИНИ СВОГО ТІЛА НА ШЛЯХУ ДИСКА ПИЛКИ.** Це приведе до травм.
 - **НІКОЛИ НЕ НАНОСІТЬ МАСТИЛО НА РУХОМИЙ ДИСК.** Застосування мастила може призвести до потрапляння вашої руки на диск, що приведе до серйозних травм.
 - **НЕ** тримайте руки на шляху пильного диску, коли пилка підключена до електричної мережі. Ненавмисне ввімкнення диска може призвести до серйозних травм.
 - **НІКОЛИ НЕ ТЯГНІТЬСЯ ПОБЛИЗУ АБО ПОЗАДУ ПИЛЬНОГО ДИСКА.** Диск може спричинити серйозні травми.
 - **НЕ ТЯГНІТЬСЯ ПІД ПИЛКОЮ**, якщо вона не відключена та не вимкнена. Контакт з диском пилки може призвести до травм.
 - **ЗАКРІПІТЬ МАШИНУ НА СТІЙКІЙ ОПОРНІЙ ПОВЕРХНІ.** Вібрація може призвести до ковзання, переміщення або перекидання машини, що може спричинити серйозні травми.
 - **ВИКОРИСТОВУЙТЕ ТОРЦЮВАЛЬНІ ПИЛЬНІ ДИСКИ ТІЛЬКИ** рекомендовані для торцювальних пилко. Для отримання найкращих результатів не використовуйте диски з твердосплавними кінчиками із переднім кутом, що перевищує 7 градусів. Не використовуйте диски з глибокими жолобами. Вони можуть відхилитися та зачепити кожух, що може призвести до пошкодження машини та/або серйозних травм.
 - **ВИКОРИСТОВУЙТЕ ДИСКИ ТІЛЬКИ ПРАВИЛЬНОГО РОЗМІРУ ТА ТИПУ**, що визначені для цього інструменту, щоб запобігти пошкодженню машини та/або серйозних травм (відповідно до EN847-1).
 - **ПЕРЕВІРЬТЕ ДИСК НА ПРЕДМЕТ ТРИЩИН** або інших пошкоджень перед початком роботи. Потрісканий або пошкоджений диск може розпастися, а шматки відлетіти на великій швидкості, спричинивши серйозні травми. негайно замінійте потрісканий або пошкоджений ніж. Дотримуйтесь максимальної швидкості, відміченої на диску пилки.
 - **МАКСИМАЛЬНА ШВИДКІСТЬ ПИЛЬНОГО ДИСКА** завжди повинна перевищувати або, принаймні, дорівнювати швидкості, вказаній на паспортній таблиці інструмента.
 - **ДІАМЕТР ПИЛЬНОГО ДИСКА** повинен відповідати маркуванню на паспортній таблиці інструмента.
 - **ОЧИЩУЙТЕ ДИСК ТА ЗАТИСКАЧ ДИСКА** перед початком роботи. Очищення диска та затискачів диска дозволяє перевірити їх на предмет наявності пошкоджень диска або затискачів диска. Потрісканий або пошкоджений диск або затискач диска може розпастися, а шматки відлетіти на великій швидкості, спричинивши серйозні травми.
 - **НЕ ВИКОРИСТОВУЙТЕ ВИКРИВЛЕНІ ДИСКИ.** Перевірте, чи обертається диск без биття і чи немає вібрації. Диск, що вібрує, може призвести до пошкодження машини та/або серйозних травм.
 - **НЕ** використовуйте мастила та очищувачі (особливо спрей або аерозоль) поблизу пластикового кожуха. Полікарбонатний матеріал, що використовується в кожусі, піддається впливу певних хімічних речовин.
 - **ТРИМАЙТЕ КОЖУХ НА МІСЦІ** та в справному стані.
 - **ЗАВЖДИ ВИКОРИСТОВУЙТЕ ПЛИТУ ДЛЯ ЗАРУБОК ТА ЗАМІНЮЙТЕ ЦЮ ПЛИТУ У ВИПАДКУ ПОШКОДЖЕННЯ.** Невелике скупчення стружки під пилкою може заважати пильному диску або призвести до нестійкості заготовки при різанні.
 - **Щоб запобігти пошкодженню машини та/або серйозних травм, ВИКОРИСТОВУЙТЕ ТІЛЬКИ ТІ ЗАТИСКАЧІ ДИСКА, ЩО ЗАЗНАЧЕНІ ДЛЯ ЦЬОГО ІНСТРУМЕНТУ.**
 - **ОБОВ'ЯЗКОВО** використовуйте правильний пильний диск для різання матеріалу.
 - **ОЧИЩУЙТЕ ПОВІТРЯНІ ЗАЗОРИ ДВИГУНА** від стружки та тирси. Забиті повітряні зазори двигуна можуть призвести до перегрівання або пошкодження машини та спричинити серйозних травм.
 - **НІКОЛИ НЕ ФІКСУЙТЕ ВИМИКАЧ У ПОЛОЖЕННІ «УВІМК».** Через це можна отримати серйозну травму.
 - **НІКОЛИ НЕ СТАВЛЯЙТЕ НА ІНСТРУМЕНТ.** У разі перекидання або ненавмисного дотику до ріжучого інструменту можливі важкі травми.

Додаткові правила безпеки при роботі з торцювальними пилками

- **ПОПЕРЕДЖЕННЯ!** Не підключаєте пристрій до мережі живлення, поки не прочитаєте та не засвоїте інструкції в повному обсязі.
- **НЕ ЕКСПЛУАТУЙТЕ ЦЮ МАШИНУ**, поки вона не буде повністю зібрана та встановлена відповідно до інструкцій. Невірно зібрана машина може призвести до серйозних травм.

- **ПОПЕРЕДЖЕННЯ!** Різання пластмаси, заболоні деревини з покриттям та інших матеріалів може призвести до накопичення розплавленого матеріалу на кінцях пильного диска і його корпусі, збільшуючи ризик перегрівання і заїдання диска при різанні.

ПОПЕРЕДЖЕННЯ! Завжди надягайте засоби індивідуального захисту для органів слуху. За певних умов та тривалості використання шум від цього виробу може сприяти втраті слуху. Пам'ятайте про наступні фактори, що впливають на інтенсивність шуму:

- Використовуйте пильні диски, розроблені для зменшення рівня шуму,
- Використовуйте тільки добре заточені пильні диски, і
- Використовуйте спеціально розроблені нешумні пильні диски.

ПОПЕРЕДЖЕННЯ! ЗАВЖДИ використовуйте захисні окуляри. Окуляри для повсякденного використання НЕ є захисними окулярами. Якщо під час операцій різання виникає пил, також використовуйте захисну протипилову маску для обличчя.

ПОПЕРЕДЖЕННЯ! використання цього інструменту може спричинити утворення та/або виділення пилу, що може призвести до серйозних і постійних проблем дихальної системи або інших травм.

ПОПЕРЕДЖЕННЯ! Пил, що утворюється при механічному шліфуванні, розпилюванні, заточуванні, свердлінні та інших діях на будівельних матеріалах, містить хімікати, що викликають рак, вроджені вади та інші проблеми репродуктивної системи. Приклади таких хімічних речовин:

- свинець зі свинцевих фарб,
- кристалічний кремнезем з цегли, цементу та інших матеріалів для кладки і
- миш'як і хром з деревини, що піддавалась хімічній обробці.

Ризик виникнення проблем через вплив цих речовин варіюється в залежності від того, як часто користувач виконує цей вид роботи. Щоб зменшити вплив цих хімічних речовин, працюйте у добре вентильованому приміщенні, а також використовуйте відповідні засоби безпеки, такі як протипилові маски, які здатні фільтрувати мікроскопічні частинки.

• **Уникайте тривалого контакту з пилом, що утворюється при потужному шліфуванні, розпилюванні, заточуванні, свердління та інших будівельних роботах.** Носіть захисний одяг і мийте відкриті ділянки тіла милом і водою.

Потрапляння пилу в рот, очі або на шкіру може сприяти всмоктуванню шкідливих хімічних речовин.

ПОПЕРЕДЖЕННЯ! використання цього інструменту може спричинити утворення та/або виділення пилу, що може призвести до серйозних і постійних проблем дихальної системи або інших травм. Для контакту з пилом завжди використовуйте відповідні засоби захисту органів дихання.

УВАГА! Ми рекомендуємо використовувати пристрій з керуванням диференційним струмом з номінальним значенням диференційного струму 30 мА або менше.

Залишкові ризики

Наступні ризики можуть залишитися при використанні пилок:

- Травми через контакт з деталями, що обертаються.

Дотримання всіх правил техніки безпеки та застосування пристроїв безпеки не гарантує уникнення певних залишкових ризиків. До такого переліку належать:

- Порушення слуху.
- Ризик нещасного випадку, викликаний незакритими деталями пильного диска, що обертається.
- Ризик травми при заміні пильного диску.
- Ризик затиснення пальців при відкритті захисних кожухів.
- Небезпека для здоров'я через вдихання пилу, що утворюється при розпилюванні деревини, особливо дубу, берези та ДВП.

Наступні фактори збільшують ризик проблем з диханням:

- При розпилюванні деревини не підключений пристрій для видалення пилу.
- Недостатня потужність всмоктування пилу через забруднені фільтри.

ЗБЕРІГАЙТЕ ЦІ ІНСТРУКЦІЇ

Зарядні пристрої

DEWALT не вимагають налаштувань і розроблені для максимально простого використання.

Електрична безпека

Електричний двигун розроблений для роботи лише з одним значенням напруги. Завжди перевіряйте, що напруга акумулятора відповідає напрузі, що вказана в технічних даних. Також переконайтеся, що напруга зарядного пристрою відповідає напрузі мережі живлення.

Ваш DEWALT Ваш зарядний пристрій виробництва компанії DEWALT має подвійну ізоляцію відповідно до EN60335; тому заземлення не є необхідним.

Якщо кабель живлення пошкоджений, його необхідно замінити на спеціальний кабель, який можна замовити в офіційних сервісних центрах DEWALT. організація обслуговування.

Використання електричного подовжувача

Використовуйте подовжувальний шнур лише за абсолютної необхідності. Використовуйте лише рекомендований подовжувальний шнур, що відповідає споживаній потужності вашого зарядного пристрою (див. **Технічні дані**). Мінімальний розмір сідчення провідника становить 1 мм²; максимальна довжина — 30 м.

При використанні кабельного барабану завжди витягуйте весь кабель.

Важливі інструкції з техніки безпеки для всіх зарядних пристроїв

ЗБЕРІГАЙТЕ ЦІ ІНСТРУКЦІЇ: У цьому керівництві містяться важливі інструкції з техніки безпеки та використання для сумісних зарядних пристроїв (див. «**Технічні дані**»).

• Перед використанням зарядного пристрою прочитайте всі інструкції та попередження на зарядному пристрої, акумуляторах та продукті, для якого ці акумулятори використовуються.

ПОПЕРЕДЖЕННЯ! Небезпека ураження електричним струмом. Не допускайте потрапляння рідини в зарядні пристрої. Це може призвести до ураження електричним струмом.

ПОПЕРЕДЖЕННЯ! Ми рекомендуємо використовувати пристрій з керуванням диференційним струмом з номінальним значенням диференційного струму 30 мА або менше.

УВАГА! Небезпека опіку. Для зниження ризику виникнення травм заряджайте лише акумулятори DEWALT. акумуляторні батареї. Інші типи акумуляторів можуть вибухнути, спричинивши тілесні ушкодження та пошкодження майна.

УВАГА! Уважно слідкуйте за тим, щоб діти не гралися з пристроєм.

ПРИМІТКА: За певних умов, коли зарядний пристрій підключений до мережі живлення, незахищені контакти всередині зарядного пристрою можуть замкнутися будь-яким стороннім предметом. Сторонні предмети, що проводять струм, наприклад металева стружка, алюмінієва фольга або будь-які металеві деталі, необхідно зберігати подалі від зарядного пристрою. Завжди відключайте зарядний пристрій від розетки, коли батарея не встановлена в зарядний пристрій. Відключіть зарядний пристрій від мережі живлення перед його очищенням

• **НЕ намагайтеся заряджати акумулятор зарядними пристроями, що не вказані в цьому керівництві.** Зарядний пристрій та акумулятори даної моделі розроблені для сумісної експлуатації.

• **Ці зарядні пристрої не призначені ні для чого іншого, крім зарядки акумуляторів DEWALT акумуляторні батареї.** Використання з іншими акумуляторами може призвести до виникнення пожежі або ураження електричним струмом.

• **Не піддавайте зарядний пристрій впливу дощу або снігу.**

• **При відключенні зарядного пристрою від мережі живлення тягніть за вилку, а не за кабель.** Це зменшить ризик пошкодження вилки та кабелю.

• **Переконайтеся, що кабель розміщений так, щоб на нього не наступали, не ходили по ньому та не піддавали його іншим фізичним впливам.**

• **Не використовуйте подовжувальний шнур окрім випадків, коли це абсолютно необхідно.** Використання невідповідних подовжувальних шнурів може призвести до пожежі або ураження електричним струмом.

• **Не кладіть будь-які предмети на зарядний пристрій та не залишайте зарядний пристрій на м'якій поверхні, що може заблокувати вентиляційні отвори та призвести до надмірного нагрівання.** Розташуйте зарядний пристрій подалі від джерел тепла. Зарядний пристрій вентилюється крізь отвори у верхній та нижній частинах корпусу.

• **Не використовуйте зарядний пристрій із пошкодженим кабелем або вилкою** — їх потрібно негайно замінити.

• **Не використовуйте зарядний пристрій, якщо той отримав різкий удар, впав або був пошкоджений іншим чином.** Віднесіть його до авторизованого сервісного центру.

• **Якщо зарядний пристрій вимагає технічного обслуговування або ремонту, не розбирайте його самотужки, а віднесіть до авторизованого сервісного центру.** Невідповідні способи використання можуть призвести до виникнення пожежі або ураження електричним струмом.

• Якщо кабель живлення пошкоджено, для уникнення небезпеки його необхідно негайно замінити, звернувшись до виробника, спеціаліста сервісного центру або іншого кваліфікованого спеціаліста.

• **Відключайте зарядний пристрій від розетки перед його очищенням.** Це дозволяє знизити ризик ураження електричним струмом. Видалення акумулятора не знижує ризик.

• **НИКОЛИ не намагайтесь з'єднувати два зарядні пристрої.**

• **Цей зарядний пристрій розрахований на роботу зі стандартною напругою побутової електромережі 230 В. Не намагайтесь використовувати його з іншою напругою.** Це не стосується автомобільних зарядних пристроїв.







Зарядка акумулятора (Рис. [Fig.] B)

1. Підключіть зарядний пристрій до відповідної розетки перед встановленням акумулятора.
2. Вставте акумулятор **16** у зарядний пристрій до упору. Червоний індикатор («зарядка») буде блимати, вказуючи на початок процесу зарядки.
3. Коли зарядка завершено, червоний індикатор горить, не блимаючи. Це означає, що акумулятор повністю заряджений та може використовуватися одразу або залишатися в зарядному пристрої. Щоб витягнути акумулятор із зарядного пристрою, натисніть кнопку деблокування **44** на акумуляторі.

ПРИМІТКА: щоб забезпечити максимальну продуктивність та тривалість роботи літій-іонного акумулятора, повністю зарядіть його перед першим використанням.

Робота зарядного пристрою

Нижче описані індикатори стану зарядки акумулятора.

Індикатори зарядки	
 Заряджається	
 Повністю заряджений	
Затримка через надмірно високу/низьку температуру акумулятора*	
	

*Червоний індикатор буде продовжувати миготіти, а жовтий індикатор буде горіти під час виконання цього завдання. Коли акумулятор досягне прийнятної температури, жовтий індикатор згасне, а зарядний пристрій відновить процес зарядки.

Сумісний зарядний пристрій не буде заряджати несправний акумулятор. Зарядний пристрій розпізнає несправну батарею та не ввімкне світловий індикатор.

ПРИМІТКА: Це також може свідчити про проблему з зарядним пристроєм.

Якщо виявлено проблему із зарядним пристроєм, віднесіть зарядний пристрій та акумулятор для перевірки в авторизований сервісний центр.

Затримка через надмірно високу/низьку температуру акумулятора

Якщо зарядний пристрій визначає, що акумулятор є надмірно гарячим або холодним, він автоматично вмикає режим температурної затримки, припиняючи процес зарядки, доки акумулятор не досягне відповідної температури. Після досягнення прийнятної температури зарядний пристрій автоматично перемикається в режим зарядки акумулятора. Ця функція забезпечує максимальний термін служби акумулятора.

Холодний акумулятор буде заряджатися повільніше порівняно з теплим акумулятором. Такий акумулятор буде заряджатися повільніше протягом всього циклу зарядки та не повернеться до максимального значення зарядки, навіть якщо нагріється.

Зарядний пристрій DCB118 оснащений внутрішнім вентилятором, призначеним для охолодження акумулятора. Вентилятор автоматично вмикається, коли акумулятор потребує охолодження. Ніколи не використовуйте зарядний пристрій, якщо вентилятор працює неналежним чином або вентиляційні отвори заблоковані. Уникайте потрапляння сторонніх предметів усередину зарядного пристрою.

Електронна система захисту

Інструменти з літій-іонними акумуляторами XR розроблені з використанням електронної системи захисту, яка захищає акумулятор від перевантаження, перегрівання або глибокої розрядки.

Пристрій автоматично вимикається, якщо спрацює електронна система захисту. Якщо це сталося, встановіть літій-іонний акумулятор в зарядний пристрій до повної зарядки.

Кріплення на стіну

Ці зарядні пристрої можна закріпити на стіні, чи поставити на стіл або іншу робочу поверхню. При кріпленні на стіну розташуйте зарядний пристрій недалеко від електричної розетки, а також подальше від кутів та інших перешкод, що заважають повітряному потоку. Скористайтеся задньою частиною зарядного пристрою в якості шаблону для розташування кріпильних гвинтів на стіні. Надійно зафіксуйте зарядний пристрій за допомогою шурупів (потрібно придбати окремо) довжиною приблизно 25,4 мм з голівкою діаметром 7–9 мм, що закручуються в дерев'яну поверхню до оптимальної глибини, щоб залишилося приблизно 5,5 мм. Вирівняйте отвори на задній поверхні зарядного пристрою з виступаючими шурупами, після чого повністю вставте шурупи в отвори.

Інструкції з очищення зарядного пристрою

⚠ ПОПЕРЕДЖЕННЯ: *Небезпека ураження електричним струмом. Відключіть зарядний пристрій від розетки змінного струму перед його очищенням. Бруд та жир можна видалити з поверхні зарядного пристрою за допомогою ганчірки або м'якої нетекстильної щітки. Не використовуйте воду та мийні розчини. Не дозволяйте рідині потрапляти всередину інструмента та ніколи не занурюйте деталі інструмента в рідину.*

Акумулятор

Важливі інструкції з техніки безпеки для різних типів акумуляторів

При замовленні змінних акумуляторів не забудьте вказати номер за каталогом та напругу.

Новий акумулятор заряджений не повністю. Перед використанням акумулятора та зарядного пристрою прочитайте всі нижче наведені інструкції з техніки безпеки. Після цього виконайте всі вказані пункти процедури зарядки.

ПРОЧИТАЙТЕ ВСІ ІНСТРУКЦІЇ

- **Не заряджайте та не використовуйте акумулятор у вибухонебезпечних умовах, наприклад в присутності легкозаймистих рідин, газів або пилу.** Під час встановлення або виймання батареї з зарядного пристрою може спалахнути пил або пара.
- **На прикладайте зусилля, вставляючи акумулятор в зарядний пристрій. Жодним чином не модифікуйте акумулятор, аби встановити його в несумісний зарядний пристрій, адже акумулятор може розірватися та спричинити серйозні травми.**
- Використовуйте тільки зарядні пристрої DEWALT для заряджання акумуляторів.
- **НЕ занурюйте акумулятор у воду та інші рідини та не бризкайте на нього.**
- **Не зберігайте та не використовуйте інструмент та акумулятор у місцях, де температура може сягати або перевищувати 40 °C (104 °F) (наприклад, біля гаражів або металевих будівель влітку).**

- **Не сплятьте акумулятор, навіть якщо він сильно пошкоджений або повністю зношений.** Акумулятор може вибухнути у вогні. Коли літій-іонні акумулятори горять, утворюються токсичні випаровування та речовини.
- **Якщо вміст акумулятора потрапив на шкіру, негайно промийте це місце м'яким милом та водою.** Якщо рідина з акумулятора потрапила в очі, промийте відкрите око протягом 15 хвилин або доки подразнення не зникне. Якщо необхідно звернутися до лікаря, акумуляторний електроліт складається з суміші рідких органічних вуглекислих солей та солей літію.
- **Вміст відкритого акумулятора може спричинити подразнення дихальних шляхів.** Вийдіть на свіже повітря. Якщо симптом не зникне, зверніться до лікаря.

⚠ ПОПЕРЕДЖЕННЯ: *Небезпека опіку. Рідина з акумулятора може спалахнути, якщо на неї потрапить іскра або полум'я.*

⚠ ПОПЕРЕДЖЕННЯ: *За жодних умов не намагайтесь відкрити акумулятор. За будь-якого пошкодження акумулятора не встановлюйте його у зарядний пристрій. Не бийте, не кидайте та не пошкоджуйте акумулятор. Не використовуйте акумулятор та зарядний пристрій, якщо ті отримали різкий удар, впали або були пошкоджені іншим чином (наприклад, були проколоті цвяхом, вдарені молотком, на них наступили). Це може призвести до ураження електричним струмом. Пошкоджені акумулятори необхідно повернути до сервісного центру ля переробки.*

⚠ ПОПЕРЕДЖЕННЯ: *Небезпека виникнення пожежі. Зберігайте та переносіть акумулятор так, щоб металеві предмети не торкалися його відкритих контактів. Наприклад, не кладіть акумулятор у фартух, кишені, ящики з інструментами, коробки з наборами приладдя, шухляди тощо, де можуть бути цвяхи, гвинти, ключі тощо.*

⚠ УВАГА: *Коли інструмент не використовується, залишайте його на боці на стабільній поверхні в такому місці, де через нього не можна перепечитися та впасти. Деякі інструменти з великими акумуляторами можуть стояти на батареї, але їх можна легко перекинути.*

Транспортування

⚠ ПОПЕРЕДЖЕННЯ: *Небезпека виникнення пожежі. Під час перевезення акумуляторів може виникнути пожежа, якщо контакти акумулятора випадково вийдуть в контакт з електропровідним матеріалом. Під час перевезення акумуляторів переконайтесь, що їхні контакти захищені та добре ізольовані від матеріалів, які можуть увійти з ними в контакт та викликати коротке замикання.*

ПРИМІТКА: *При перевезенні літій-іонних акумуляторів не можна здавати їх в багаж.*

Акумулятори DEWALT відповідають всім нормам перевезення, описаним у галузевих та законодавчих положеннях, включно з рекомендаціями ООН про перевезення небезпечних вантажів, правилами перевезення небезпечних вантажів Міжнародної організації повітряного транспорту (IATA), міжнародними правилами перевезення небезпечних вантажів водним транспортом (IMDG) та Європейській угоді про міжнародне дорожнє перевезення небезпечних вантажів (ADR). Літій-іонні елементи живлення та акумулятори були перевірені відповідно до розділу 38.3 керівництва з тестів та критеріїв щодо перевезення небезпечних вантажів Рекомендацій ООН.

У більшості випадків перевезення акумуляторів DEWALT може бути класифіковано як перевезення небезпечних речовин, що повністю підпадають під клас 9. Загалом тільки вантажі, що містять літій-іонні акумулятори ємністю більше за 100 ват-годин (Вт-год), вимагають транспортування відповідно до норм перевезення небезпечних речовин, що повністю підпадають під Клас 9. На всі літій-іонні акумулятори нанесено значення ват-годин. Крім того, через складності законодавчих норм компанія DEWALT не рекомендує транспортування окремо літій-іонних акумуляторів повітряним транспортом, незалежно від показника ват-годин. Перевезення інструментів з акумуляторами (у комплекті) можна виконувати повітряним транспортом, якщо значення ват-годин не перевищує 100 Вт-год.

Незалежно від того, чи вантаж вважається виключеним або повністю регламентованим, вантажовідправник несе відповідальність за відповідність останнім нормам щодо вимог до упаковки, етикеток/маркування та документації.

Інформація, що наводиться у цьому розділі керівництва, сумлінно перевірена та вважається дійсною на момент складання документації. Проте чинні нормативи можуть підлягати змінам. Покупець несе відповідальність за те, щоб його дії відповідали певним нормам.

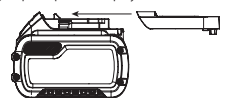
Транспортування батареї FLEXVOLT™

Батарея DEWALT FLEXVOLT™ має два режими: **використання** та **транспортування**.

Режим використання. при використанні батареї FLEXVOLT™ окремо або в продукті DEWALT 18В вона працює як батарея потужністю 18 В. Якщо батарею FLEXVOLT™ встановлено у пристрій потужністю 54 В або 108 В (дві батареї 54 В), вона буде працювати як батарея 54 В.

Режим транспортування. якщо на батарею FLEXVOLT™ встановлено кришку, вона знаходиться у режимі транспортування. Не знімайте цю кришку при транспортуванні.

У режимі транспортування послідовність електричних елементів акумулятора роз'єднана, що створює 3 акумулятори з меншим значенням Вт-год в порівнянні з 1 акумулятором із більшим значенням цього показника. Ці



3 акумулятори з нижчим значенням ват-годин можуть бути виключені з певних норм транспортування, що застосовуються для акумуляторів з більшим значенням ват-годин.

Наприклад, показник транспортування може бути 3 x 36 Вт-год, що означає 3 акумулятори по 36 Вт-год кожний. При цьому показник Вт-год в режимі використання може бути вказаний як 108 Вт-год (1 акумулятор).

Приклад маркування способів використання та транспортування

Рекомендації щодо зберігання

1. Найкращим місцем для зберігання інструмента є прохолодне сухе місце, куди не потрапляють прямі сонячні промені та немає доступу тепла та холоду. Для оптимальної продуктивності та терміну служби батарей зберігайте їх за кімнатної температури, коли вони не використовуються.
2. При тривалому зберіганні для оптимального результату рекомендується помістити повністю заряджений акумулятор у сухе прохолодне місце поза зарядним пристроєм.

ПРИМІТКА: Не рекомендується зберігати акумулятор повністю розрядженим. Акумулятор потрібно перезарядити перед використанням.

Етикетки на зарядному пристрої та акумуляторі

Крім символів, що використовуються у цьому керівництві, етикетки на зарядному пристрої та акумуляторі можуть містити наведені нижче позначки.

Прочитайте інструкції цього керівництва перед використанням.

Див. розділ «Технічні дані» щодо часу зарядки.

Не торкайтеся електропровідними предметами.

Не заряджайте пошкоджені акумулятори.

Не піддавайте впливу води.

негайно замінійте пошкоджений дріт живлення.

Заряджайте акумулятор за температури 4–40 °C.

Лише для використання в приміщенні.

Утилізуйте акумулятори з належною турботою про навколишнє середовище.

Заряджайте акумулятори DEWALT лише за допомогою спеціальних зарядних пристроїв DEWALT. Зарядка інших акумуляторних батарей, ніж призначені DEWALT, у зарядному пристрої DEWALT може призвести до їх вибуху або інших небезпечних ситуацій.

Не спалюйте акумулятори.

ВИКОРИСТАННЯ (без кришки для транспортування). Приклад: Значення Вт-год становить 108 Вт-год (1 акумулятор потужністю 108 Вт-год).

ТРАНСПОРТУВАННЯ (зі встановленою кришкою для транспортування). Приклад: Значення Вт-год становить 3 x 36 Вт-год (3 акумулятори потужністю 36 Вт-год).

Тип акумулятора

Пристрій DCS365 працює від акумулятора потужністю 18 вольт.

Для експлуатації придатні акумулятори наступних моделей: DCB181, DCB182, DCB183, DCB183B, DCB184, DCB184B, DCB185, DCB187, DCB189, DCB546, DCB547, DCB548. Див. додаткову інформацію у розділі **Технічні дані**.

Комплект поставки

До комплекту входить:

- 1 Пила торцювальна
- 1 Гайковий ключ для диска
- 1 Пильний диск
- 1 Комплект бокової ручки
- 1 Пилозбірник
- 1 Затиск для матеріалів
- 1 Літій-іонний акумулятор (моделі C1, D1, L1, M1, P1, S1, T1, X1, Y1)
- 2 Літій-іонні акумулятори (моделі C2, D2, L2, M2, P2, S2, T2, X2, Y2)
- 3 Літій-іонні акумулятори (моделі C3, D3, L3, M3, P3, S3, T3, X3, Y3)
- 1 Керівництво з експлуатації

ПРИМІТКА. Акумулятори, зарядні пристрої та комплекти допоміжного приладдя не входять до комплекту моделей N. Акумулятори та зарядні пристрої не входять до комплекту моделей NT. Моделі B включають акумулятори для приладів з підтримкою Bluetooth®.

ПРИМІТКА. Текстовий знак та логотипи Bluetooth® є зареєстрованими товарними знаками, що належать компанії Bluetooth®, SIG, Inc. Будь-яке використання таких знаків

компанією DEWALT здійснюється згідно з ліцензією. Інші торгові марки й торгові назви належать відповідним власникам.

- *Перевірте інструмент, деталі та приладдя на пошкодження, що могли виникнути під час транспортування.*
- *Перед використанням уважно прочитайте та повністю зрозумійте це керівництво.*

Маркування на інструменті

На інструменті є наступні піктограми:

- Прочитайте інструкції цього керівництва перед використанням.
- Використовуйте засоби захисту слуху.
- Використовуйте засоби захисту очей.
- Тримайте руки подалі від диска
- Видиме випромінювання. Не дивіться на джерело світла.

Розташування коду дати (Рис. А)

Код дати **24**, що включає також рік виробництва, зазначений на корпусі.

Приклад:

2020 XX XX
Рік виробництва

Опис (рис. А)

УВАГА! Ніколи не модифікуйте електричні інструменти або їх деталі. Це може призвести до пошкодження майна або тілесних ушкоджень.

- | | |
|-------------------------------|---|
| 1 Курковий перемикач | 14 Отвір для пиловідведення. |
| 2 Ручка управління | 15 Ручка підйому |
| 3 Монтажні отвори | 16 Акумулятор |
| 4 Нижній захисний кожух | 17 Перемикач моментної дії для лампи робочого освітлення XPS™ |
| 5 Ручка фіксації кута скосу | 18 Важіль блокування |
| 6 Накладка із прорізом | 19 Гвинт налаштування рейки |
| 7 Важіль скосу | 20 Ручка фіксації рейки |
| 8 Шкала кута скосу | 21 Отвір затиска |
| 9 Гвинти шкали повороту | 22 Гайковий ключ |
| 10 Бокові ручки | 23 Штифт блокування |
| 11 Напрямна | 24 Код дати |
| 12 Ручка фіксації кута нахилу | 25 Блокування кута нахилу |
| 13 Рейки | |

Сфера застосування

Ваша акумуляторна розсувна комбінована торцювальна пила DEWALT DCS365 призначена для професійної різки по дереву. За допомогою цієї пили можна легко, точно і безпечно виконувати поперечне різання, різання з нахилом та різання під кутом.

Цей пристрій розроблений для використання з пильним диском номінального діаметру 184 мм із твердосплавними напайками.

НИКОЛИ НЕ РОЗПИЛЮЙТЕ МЕТАЛИ або легкі сплави, особливо магнієві.

НЕ використовуйте за умов підвищеної вологості або в присутності легкозаймистих рідин та газів.

Ці торцювальні пилки є професійними інструментами

Не дозволяйте дітям підходити на небезпечно відстань та торкатися інструмента.

Використання інструмента недосвідченими операторами потребує нагляду.

- **Діти та хворі люди.** Цей пристрій не призначений для використання дітьми та особами з обмеженими фізичними або розумовими можливостями без нагляду.
- Цей пристрій не призначений для використання особами (включаючи дітей) із зниженими фізичними, сенсорними або розумовими можливостями або особами, яким бракує досвіду або знань за винятком випадків, коли такі особи працюють під наглядом особи, яка несе відповідальність за їх безпеку. Не можна залишати дітей наодинці з цим приладом.

МОНТАЖ ТА НАЛАШТУВАННЯ

ПОПЕРЕДЖЕННЯ: Щоб знизити ризик серйозних тілесних ушкоджень, вимкніть інструмент та відключіть акумулятор перед виконанням будь-яких налаштувань або зніманням/встановленням додаткового обладнання або приладдя. Випадковий запуск може призвести до травм.

ПОПЕРЕДЖЕННЯ: Використовуйте тільки DEWALT акумулятори та зарядні пристрої.

Установка акумулятора в інструмент та його виймання (Рис. В)

ПРИМІТКА. Переконайтесь, що ваш акумулятор **16** повністю заряджений.

Для встановлення акумулятора у ручку інструмента

1. Вирівняйте акумулятор **16** по напрямних у ручці інструмента (Рис. В).
2. Вставте акумулятор у ручку до упору та переконайтесь, що ви почули звук клацання акумулятора, що став на місце.

Виймання акумулятора з інструмента

1. Натисніть кнопку розблокування **44** та витягніть акумулятор з ручки інструмента.
2. Вставте акумулятор у зарядний пристрій, як описано у розділі щодо зарядного пристрою цього керівництва.

Акумулятори з індикатором рівня заряду (Рис. В)

Деякі акумулятори DeWALT оснащені індикатором заряду з трьох зелених світлодіодів, що вказують рівень заряду акумулятора, що залишився.

Щоб увімкнути індикатор заряду, натисніть та утримуйте кнопку індикатора заряду **26**. Три зелені світлодіоди будуть горіти відповідним чином, відображуючи рівень зарядки акумулятора. Коли рівень заряду акумулятора нижче відповідного ліміту, індикатор рівня заряду не горить, а акумулятор потрібно зарядити.

ПРИМІТКА: Індикатор рівня зарядки показує лише рівень зарядки, що залишився в акумуляторі. Він не показує функціональність інструмента, а його показники можуть змінюватись відповідно до комплектності інструмента, температури та способу застосування.

Ознайомлення (рис. А, D, E)

Відкрийте коробку і вийміть пилу (рис. D) за бокові виймки для рук або рукоятку підйому **15**.

Розмістіть пилку на гладкій рівній поверхні, наприклад, на верстаті або міцному столі.

Розгляньте рисунок А, щоб ознайомитися з пилою і її різними частинами. Розділ про коригування буде посилається на ці терміни, і ви повинні знати деталі і де вони знаходяться.

⚠ ОБЕРЕЖНО! *Небезпека затиснення. Щоб зменшити ризик отримання травм, тримайте великий палець під рукою управління, коли тягнете її вниз. Якщо ручку управління тягнути вниз, нижній захисний кожух буде рухатися вгору, що може викликати затиснення. Ручка управління розташовується впритул до захисного кожуху для спеціальних розрізів.*

Злегка натисніть на ручку керування **2** та витягніть штифт блокування **23**. Плавно зменшіть тиск донизу та і тримайте ручку керування, дозволяючи їй повністю піднятися. При перенесенні пили з одного місця в інше використовуйте стопорний штифт. Завжди використовуйте виймки для рук або бокові ручки **10** для транспортування пили, як показано на рис. D. Див. рис. E та розділ **Встановлення бокових ручок**.

Встановлення бокових ручок (рис. E)

Пила поставляється з двома боковими ручками **10**, які потрібно встановити на пилу, як показано на рис. E. Використовуйте 4 гвинта та 4 гайки, що входять до комплекту. Надійно затягніть їх шестигранним ключем, що знаходиться в упаковці бокової ручки.

Кріплення до верстаку (рис. А)

Отвори **3** передбачені у всіх 4 ніжках для полегшення кріплення до верстаку, як показано на рис. А. Завжди міцно кріпите пилку до стійкої поверхні, щоб запобігти пересуванню. Для збільшення мобільності пили можна спочатку прикріпити пилу до листа фанери товщиною не менше 12,7 мм, після чого лист можна прикріпити до робочої опори або перенести й установити в іншому місці.

ПРИМІТКА. Для кріплення пили до листа фанери спочатку переконайтесь, що кріпильні болти не виступають знизу деревини. Лист має бути врівень із робочою опорою. Коли ви прикріплюєте пилу до будь-якої поверхні, фіксуйте її лише в тих місцях, де розташовані кріпильні отвори. Кріплення в інших точках буде заважати роботі.

⚠ ОБЕРЕЖНО! *Щоб уникнути заїдання і неточностей обробки, кріпильна поверхня має бути рівною та плоскою. Якщо пила хитається на поверхні, підкладіть під її опору тонку дощечку, щоб вирівняти пристрій на поверхні.*

Зміна чи встановлення нового пильного диска (рис. F1–F3)

Див. пункт **Пильні диски** у розділі **Додаткове приладдя**.

⚠ УВАГА! *Щоб знизити ризик серйозних тілесних ушкоджень, вимкніть інструмент та відключіть акумулятор перед виконанням будь-яких налаштувань, здійсненням очищення або обслуговування чи змінанням/встановленням додаткового обладнання або приладдя. Випадковий запуск може призвести до травм.*

⚠ УВАГА! *Для зниження ризику травмування одягайте рукавиці під час роботи з пильним диском.*

⚠ ОБЕРЕЖНО!

- Ніколи не натискайте кнопку фіксації шпінделя (**35**, рис. F2), коли пильний диск знаходиться під напруженням або рухається за інерцією.
- Не різьте цією торцювальною пилою метал, цегляну кладку або фіброцементні вироби.

Зняття пильного диска (рис. А, С, F1–F3)

1. Вийміть акумулятор (**16**, рис. С) з пили.
2. Підніміть важіль в верхнє положення і підніміть нижній захисний кожух **4** якомога вище.

3. Послабте, але не знімайте задній гвинт захисного кронштейна **27** на чотири обороти.
4. Послабте, але не знімайте передній гвинт захисного кронштейна (**28**, рис. F1), поки кронштейн **29** не буде піднятий настільки, щоб отримати доступ до гвинта диска **31**. Нижній захисний кожух залишиться піднятим через положення гвинта захисного кронштейна.
5. Натисніть кнопку фіксації шпінделя (**35**, рис. F2), обережно повертаючи пильний диск **30** рукою, поки він не зафіксується.
6. Тримавши кнопку натиснутою, послабте гвинт диска **31** іншою рукою та стороною T40 гайкового ключа **22** з комплекту постачання. (Ліве різьблення, повертайте за годинниковою стрілкою.)
7. Зніміть гвинт **31** за допомогою сторони T40 гайкового ключа з комплекту постачання, а також зовнішню шайбу затиску (**32**, рис. F3) та пильний диск **30**. Внутрішню шайбу затиску **33** можна залишити на шпінделі **34**.

Встановлення пильного диска (рис. С, F1–F3)

1. Вийміть акумулятор (**16**, рис. С) з пили.
2. З піднятим важелем, відкритим нижнім захисним кожухом **4**, а також піднятим захисним кронштейном **29** встановіть пильний диск **30** на шпindel **34** та у внутрішню шайбу затиску **33** зубцями на диску, спрямованими в бік обертання, вказаний на пілі.
3. Встановіть зовнішню шайбу затиску **32** на шпindel **34**.
4. Встановіть гвинт диска **31** і, зафіксувавши фіксатор шпінделя **35**, міцно затягніть гвинт **31** за допомогою гайкового ключа **22** з комплекту постачання (поверніть ліве різьблення проти годинникової стрілки).
5. Поверніть захисний кронштейн **29** у його вихідне повністю нижнє положення та міцно затягніть гвинти захисного кронштейна (**27**, **28**) для утримання його на місці.

⚠ УВАГА! *Перед активацією пили слід повернути захисний кронштейн у його вихідне повністю нижнє положення та закрутити гвинти захисного кронштейна. Невиконання цієї вимоги може перешкоджати закриттю захисного кожуха або може дозволити захисному кожуху стикатися з пильним диском під час обертання, що призведе до пошкодження пили та серйозних травм.*

Транспортування пили (рис. А)

⚠ УВАГА! *Щоб знизити ризик серйозних тілесних ушкоджень, вимкніть інструмент та відключіть акумулятор перед виконанням будь-яких налаштувань, здійсненням очищення або обслуговування чи змінанням/встановленням додаткового обладнання або приладдя. Випадковий запуск може призвести до травм.*

⚠ УВАГА! *Щоб знизити ризик серйозного травмування перед транспортуванням пили завжди фіксуйте ручку фіксації рейки **20**, ручку фіксації кута скосу **5**, ручку фіксації кута нахилу **12** і штифт блокування **23**. (Див. рис. А.)*

Для зручності переміщення торцювальної пили з місця на місце у верхній частині пильної рами та на бокових ручках **10** встановлена рукоятка для підйому **15**, як показано на рисунку А.

Зберігання торцювальної пили

Торцювальна пила має зберігатися в сухому, надійно замкнутому місці, недоступному для дітей або неавтених осіб.

ФУНКЦІЇ ТА ЕЛЕМЕНТИ КЕРУВАННЯ

⚠ УВАГА! *Щоб знизити ризик серйозних тілесних ушкоджень, вимкніть інструмент та відключіть акумулятор перед виконанням будь-яких налаштувань, здійсненням очищення або обслуговування чи змінанням/встановленням додаткового обладнання або приладдя. Випадковий запуск може призвести до травм.*

Використання світлодіодної системи робочого освітлення

XPS™ (рис. А)

⚠ УВАГА! *Не дивіться на лампу, що працює.*

ПРИМІТКА. Необхідно зарядити та підключити акумулятор до торцювальної пилки.

Світлодіодна система робочого освітлення XPS™ може вмикатися за допомогою перемикача миттєвої дії **17**. Світло автоматично буде увімкнене протягом 20 секунд, якщо пила не використовується. Світло також автоматично вмикається кожен раз, коли натиснути головний тригер інструмента **1**.

Щоб прорізати існуючу накреслену лінію на шматку дерева, увімкніть світлодіодну систему робочого освітлення XPS™ за допомогою перемикача миттєвої дії **17** (а не головного тригера), після чого потягніть ручку управління **2** вниз, щоб наблизити пильний диск до деревини. На деревині з'явиться тінь від диска. Ця лінія тіні представляє собою матеріал, який пильний диск видалить під час розрізу. Щоб правильно розташувати розріз по накресленій лінії, сумістіть накреслену лінію з краєм тіні від диска. Майте на увазі, що вам, можливо, доведеться відрегулювати кут скосу або нахилу, щоб точно відповідати накресленій лінії.

Ваша пила оснащена функцією відмови акумулятора. Лампа робочого освітлення XPS™ починає блимати, коли заряд батареї підходить до кінця або коли батарея занадто гаряча. Зарядіть батарею перед продовженням різання. Вказівки щодо зарядження батареї див. в пункті «Процедура зарядження» розділу «Важливі вказівки з безпеки для всіх батарей».

Ручка фіксації кута скосу (рис. А, J)

Ручка фіксації кута скосу **5** дозволяє повертати пилку на 48° вправо та на 48° вліво. Засувка фіксації скосу буде автоматично розташовуватися під кутом 10°, 15°, 22,5°, 31,62° та 45° як зліва, так і справа.

Ручка фіксації кута нахилу (рис. А, L1, L2)

Ручка фіксації кута нахилу дозволяє нахилити пилку на 48° вліво. Для налаштування кута нахилу поверніть ручку фіксації кута нахилу **12** проти годинникової стрілки для послаблення. Щоб затягнути, поверніть ручку фіксації кута нахилу за годинникового стрілкою.

Ручка фіксації рейки (рис. А)

Ручка фіксації рейки **20** дозволяє надійно зафіксувати пильну головку, щоб вона не ковзала по рейках. Це необхідно при виконанні певних розрізів або при транспортуванні пилки.

Штифт блокування (рис. А)

УВАГА! Стопорний штифт слід використовувати тільки при перенесенні або зберіганні пилки. **НИКОЛИ** не використовуйте стопорний штифт для будь-яких операцій різання.

Щоб зафіксувати пильну головку в нижньому положенні, опустіть пильну головку вниз, вставте стопорний штифт **23** і відпустіть пильну головку. Це дозволить безпечно утримувати пильну головку внизу при переміщенні пили з місця на місце. Щоб відпустити, натисніть на ріжучу головку вниз і витягніть штифт.

ЕКСПЛУАТАЦІЯ

Інструкції з використання

УВАГА! Завжди дотримуйтесь усіх інструкцій з техніки безпеки та відповідних норм.

УВАГА! Щоб знизити ризик серйозних тілесних ушкоджень, вимкніть інструмент та відключіть акумулятор перед виконанням будь-яких налаштувань, здійсненням очищення або обслуговування чи змінням/встановленням додаткового обладнання або приладдя. Випадковий запуск може призвести до травм.

УВАГА! Щоб переконатися, що на шляху пильного диска немає перешкод, завжди виконуйте імітацію різання (без живлення), перш ніж робити будь-які розрізи на заготовці.

Правильне положення тіла та рук (рис. G1–G4)

УВАГА! Щоб знизити ризик серйозних травм, **ЗАВЖДИ** правильно розташуйте руки, як показано на рис. G1 та G2.

УВАГА! Щоб знизити ризик серйозних травм, **ЗАВЖДИ** добре тримайте інструмент, щоб попередити випадкову віддачу.

- Додавайте затискачі для надійної фіксації заготовки, коли це можливо.
- Ніколи не розташовуйте руки біля пильних поверхонь. Не розташовуйте руки ближче ніж 100 мм від пильного полотна.
- Добре притискайте заготовку до столу та напрямної при розрізанні. Утримуйте руки в тому ж положенні до відпускання вимикача та повної зупинки пильного диска.
- **ЗАВЖДИ ВИКОНУЙТЕ ІМІТАЦІЮ РІЗАННЯ (БЕЗ ЖИВЛЕННЯ) ПЕРЕД ПОЧАТКОМ РОЗРІЗУ, ЩОБ ВИ МОГЛИ ПОБАЧИТИ ШЛЯХ ПИЛЬНОГО ДИСКА. НЕ СХРЕЩУЙТЕ РУКИ, ЯК ПОКАЗАНО НА РИСУНКАХ G3 ТА G4.**
- Утримуйте обидві ноги на підлозі та утримуйте рівновагу. При пересуванні важеля скосу вліво та вправо стежте за ним та стійте трошки в стороні від пильного диска.
- При русі по накресленій лінії дивіться крізь захисні жалюзі.

Курковий перемикач (рис. H)

Щоб увімкнути пилу, натисніть важіль блокування **18** вліво, а потім натисніть курковий перемикач **1**. Пила працюватиме, доки перемикач буде захищений натисненим. Дозвольте інструменту досягти повної робочої швидкості до того, як зробити розріз. Щоб вимкнути пилу, відпустіть тригерний перемикач. Перш ніж підняти головку пили, дайте пилі зупинитися. Блокування включення не передбачене. Тригер має отвір **36**, що дозволяє повісити замок та заблокувати вимикач.

Ваша пила не оснащена автоматичним електричним гальмом, проте пильний диск зупиняється за 5 секунд після відпускання вимикача. Час гальмування неможливо налаштувати. Якщо час зупинки неодноразово перевищує 5 секунд, зверніться до авторизованого сервісного центру DEWALT для обслуговування інструменту.

Завжди слідуйте за тим, щоб пильний диск зупинився перед витягуванням його з розрізу.

Видалення пилу (рис. А, I)

УВАГА! Щоб знизити ризик серйозних тілесних ушкоджень, вимкніть інструмент та відключіть акумулятор перед виконанням будь-яких налаштувань, здійсненням очищення або обслуговування чи змінням/встановленням додаткового обладнання або приладдя. Випадковий запуск може призвести до травм.

УВАГА! Певні види пилу, такі як дубовий або буковий пил, вважаються канцерогенними, особливо у поєднанні з добавками для обробки деревини.

- Завжди видаляйте пил.
- Забезпечте гарну вентиляцію робочого простору.

- Рекомендується носити відповідний респіратор.

Ваша пила має вбудований отвір для пиловідведення **14**, який дозволяє встановлювати пилозбірник **37** з комплекту постачання або промислову систему пиловидалення.

Прикріплення пилозбірника

1. Прикріпіть пилозбірник **37** до порту для видалення пилу **14**, як зображено на рис. I.

Випорожнення пилозбірника

1. Зніміть пилозбірник **37** з пилки. Щоб випорожнити пилозбірник, акуратно потрусіть або постукайте по ньому.
2. Прикріпіть пилозбірник назад до порту для видалення пилу **14**.

Ви можете помітити, що не весь пил вдалося усунути з пилозбірника. Це не вплине на ефективність різання, але призведе до зниження коефіцієнту пилоуловлювання пили. Щоб відновити коефіцієнт пилоуловлювання пили, під час випорожнення пилозбірника натискайте на пружину всередині нього та стукайте ним по краю баку для сміття або контейнеру для пилу.

УВАГА! **ОБЕРЕЖНО!** Ніколи не працюйте з цією пилою без пилозбірника або пилососа DEWALT. Деревний пил може представляти небезпеку для дихання.

Різнання за допомогою пили (рис. А)

Якщо ви не можете закріпити заготовку на столі і прикріпити її до напрямної рукою (неправильна форма тощо) або ваша рука буде знаходитись менш ніж в 100 мм від леза, слід використовувати затиск або інше пристосування. Див. додаткову інформацію в розділі «**Затиск заготовки**».

Якщо повзунок не використовується, переконайтесь, що пильна головка відсунута якнайдалі назад і ручка фіксації рейки **20** затягнута. Це запобіжить ковзанню пили по рейках при фіксації заготовки.

ПРИМІТКА. НЕ РІЖТЕ МЕТАЛІВ АБО ЦЕГЛЯНУ КЛАДКУ ЦІЄЮ ПИЛОЮ. Не використовуйте абразивні леза.

ПРИМІТКА. Щоб отримати важливу інформацію про нижній захисний кожух перед різанням, див. пункт **Використання захисного кожуха та видимість** у розділі **Налаштування**.

Поперечні розрізи

Прямий розріз (рис. А, G1, G2)

Торцювання виконується шляхом різання деревини під будь-яким кутом поперек волокон. Пряме торцювання виконується з важелем скосу в нульовому положенні.

Встановіть і заблокуйте важіль скосу на нуль, міцно притисніть деревину до столу і напрямної. Затягнувши ручку фіксації рейки **20**, включіть пилу, натиснувши на тригерний перемикач (1).

Коли пила набере швидкість (близько 1 секунди), плавно і повільно опустіть важіль для розпилу деревини. Перед тим як підняти пильну голівку, дайте диску повністю зупинитися.

При різанні заготовок розміром понад 51 мм x 102 мм використовуйте рух назад при ослабленій ручці фіксації рейки **20**. Потягніть пилку на себе, опустіть ріжучу головку вниз до заготовки і повільно штовхайте пилку назад, щоб завершити різання. Не допускайте контакту пильного диска з верхньою частиною заготовки при витягуванні. Пилу може відкинути до вас, що може призвести до тілесних ушкоджень або пошкодження заготовки.

УВАГА! Завжди використовуйте робочий затиск, щоб підтримувати контроль і зменшити ризик пошкодження заготовки та отримання травм, якщо ваші руки під час різання повинні знаходитись на відстані 100 мм від леза.

ПРИМІТКА. Необхідно ослабити ручку фіксації рейки **20**, зображену на рис. А, щоб запобігти ковзанню пили по рейках.

Косі розрізи (рис. J, K)

Поперечні розрізи виконуються за допомогою важеля скосу під кутом, відмінним від нуля. Часто цей кут складає 45° для створення кутів, але може бути встановлений в діапазоні від нуля до 48° вліво або 48° вправо. Щоб здійснити косий розріз пилкою, ослабте ручку фіксації кута скосу **5**, повернувши її проти годинникової стрілки. Потягніть ручку фіксації кута скосу вгору, щоб перемістити важіль скосу **7** на необхідний кут скосу на шкалі кута скосу **8**. Поверніть ручку фіксації кута скосу за годинниковою стрілкою, щоб затягнути. Зробіть розріз, як описано вище.

При виконанні косоного розрізу на заготовках ширше 51 мм x 102 мм, які коротше по довжині, завжди розташуйте довшу сторону до напрямної (рис. K).

Щоб прорізати існуючу накреслену лінію на шматку дерева, підберіть кут якомога точніше. Обріжте деревину трохи далі і вимірте від накресленої лінії до ріжучої кромки, щоб визначити, в якому напрямку відрегулювати кут скосу і повторіть різання. Для цього буде потрібно трохи потренуватися, але це широко використовувана практика.

Різнання фасок (рис. L1, L2)

Різнання фасок – це поперечне різання, виконане пильним диском під кутом нахилу до деревини. Для того, щоб встановити нахил, ослабте ручку фіксації кута нахилу **12** і посуňte пилку вліво за бажанням. Після встановлення необхідного кута нахилу міцно затягніть фіксатор кута нахилу. Кути нахилу можна встановлювати в діапазоні від 0° праворуч до 48° ліворуч.

Щоб встановити кут нахилу від 45° до 48°,

1. послабте ручку фіксації кута нахилу (12).
2. Трохи нахиліть пильну головку, щоб посунути блокування кута нахилу **25** на один бік.
3. Посуňte пильну головку до 48°.
4. Затягніть ручку фіксації кута нахилу.

Якість розрізу

Чистота поверхні залежить від декількох параметрів. Якість різання залежить від матеріалу, типу леза, гостроти леза і швидкості різання.

Якщо необхідні особливо гладкі зрізи, наприклад, при виготовленні плінтусів або іншої точної роботи, потрібно використовувати добре заточений (60-зубцевий, з твердосплавними напайками) диск при дуже малій, рівномірній швидкості різання.

Добре закріплюйте заготовку; при різанні заготовка не повинна рухатись або перемищатися. Перед тим як підняти ріжучу голівку, завжди давайте диску повністю зупинитися.

Якщо із задньої сторони розрізу відколюються маленькі тріски, можна приклеїти в місці розрізу смужку клейкої стрічки. Ріжте разом зі стрічкою, потім обережно зніміть стрічку.

Для різних варіантів використання див. список рекомендованих пильних дисків для вашої пилки і виберіть той, який краще всього відповідає вашим потребам. Див. пункт **Пильні диски** в розділі **Додаткове приладдя**.

Затиск заготовки

УВАГА! Щоб знизити ризик серйозних тілесних ушкоджень, вимкніть інструмент та відключіть акумулятор перед виконанням будь-яких налаштувань, здійсненням очищення або обслуговування чи змінанням/встановленням додаткового обладнання або приладдя. Випадковий запуск може призвести до травм.

УВАГА! Затиснута, збалансована і надійно закріплена перед різанням заготовка може стати незбалансованою після завершення різання. Незбалансоване навантаження може привести до перекидання пили або всього, до чого вона кріпиться, наприклад, столу або верстака. При виконанні розрізу, який може стати незбалансованим, правильно утримуйте заготовку і стежте за тим, щоб пила була міцно закріплена болтами на стійкій поверхні. Можуть виникнути травми.

УВАГА! При використанні затиску лапка затиску повинна залишатися закріпленою над підставкою пили. Завжди закріплюйте заготовку на підставці пили, а не на будь-якій іншій частині робочої зони. Переконайтеся, що лапка затиску не затиснута на краю підставки пили.

УВАГА! Завжди використовуйте робочий затиск, щоб підтримувати контроль і зменшити ризик пошкодження заготовки та отримання травм, якщо ваші руки під час різання повинні знаходитись на відстані 100 мм від леза.

Якщо ви не можете закріпити заготовку на столі і прикріпити її до напрямної рукою (неправильна форма тощо) або ваша рука буде знаходитись менш ніж в 100 мм від леза, слід використовувати затиск або інше пристосування.

Скористайтесь затиском для матеріалу з комплекту постачання вашої пили. Щоб придбати затиск для матеріалу, зверніться до свого місцевого продавця або в сервісний центр компанії DEWALT.

Інші пристосування, такі як пружинні, брускові або С-образні затиски, можуть підходити для певних розмірів і форм матеріалу. Дотримуйтеся обережності при виборі і встановленні цих затисків. Перед виконанням різання слід виконати пробну імітацію різання.

Встановлення затиску (рис. М)

1. Використовуючи затиск **38**, звернений до задньої сторони торцювальної пилки, вставте затискний стрижень в отвір **21** поза напрямною. Переконайтеся, що паз у нижній частині затискного стрижня повністю вставлений у отвір **21**.
2. Поверніть затиск на 180° у бік передньої частини торцювальної пили.
3. Ослабте ручку, щоб відрегулювати затиск вгору або вниз, а потім за допомогою ручки тонкого регулювання міцно затисніть заготовку.

ПРИМІТКА. Помістіть затиск на протилежному боці підставки при нахилі. ЗАВЖДИ ВИКОНУЙТЕ ІМІТАЦІЮ РІЗАННЯ (БЕЗ ЖИВЛЕННЯ) ПЕРЕД ПОЧАТКОМ РОЗРІЗУ, ЩОБ ПОБАЧИТИ ШЛЯХ ПИЛЬНОГО ДИСКА. ПЕРЕКОНАЙТЕСЯ, ЩО ЗАТИСК НЕ ЗАВАЖАЄ РОБОТІ ПИЛКИ АБО ЗАХИСНИХ ПРИСТОСУВАНЬ.

РЕГУЛЮВАННЯ

УВАГА! Щоб знизити ризик серйозних тілесних ушкоджень, вимкніть інструмент та відключіть акумулятор перед виконанням будь-яких налаштувань, здійсненням очищення або обслуговування чи змінанням/встановленням додаткового обладнання або приладдя. Випадковий запуск може призвести до травм.

Ваша торцювальна пилка повністю і точно регулюється на заводі в процесі виробництва. Якщо змінилися налаштування при перевезенні або з будь-якої іншої причини, для настройки пилки скористайтесь наведеними нижче інструкціями.

Виконані один раз, ці налаштування повинні служити протягом тривалого часу. Приділіть трохи часу, щоб уважно виконати ці вказівки, аби зберегти точність, на яку здатна ваша пилка.

Регулювання шкали скосу (рис. J, N)

Зафіксуйте пильну голівку в нижньому положенні. Розблокуйте ручку фіксації скосу **5** і пересуньте важіль скосу **7**, поки він не опиниться в положенні 0°. Не блокуйте ручку фіксації кута скосу. Встановіть косинець проти напрямної та диска пили, як показано на рисунку N. (Не торкайтесь кінчиків зубців диска косинцем. Це призведе до неточності вимірювання.) Якщо диск пилки не точно перпендикулярний до напрямної, ослабте три гвинти (**9**, рис. J) які утримують шкалу скосу **8** на столі, і переміщуйте ручку важіль скосу та шкалу вліво або вправо, доки диск не стане перпендикулярним до напрямної, що вимірюється косинцем. Знов закріпіть три гвинти.

Регулювання кута нахилу відносно столу (рис. A, L1, O)

Щоб вирівняти кут нахилу диска відносно столу, зафіксуйте ручку керування в нижньому положенні за допомогою стопорного штифта **23**. Прикладіть малку до диска, переконавшись, що вона не знаходиться на верхівці зубця. Відпустіть ручку фіксації кута нахилу **12** і переконайтеся, що важіль нахилу щільно прилягає до обмежувача кута нахилу 0°. Поверніть регулювальний гвинт кута нахилу 0° **41** за допомогою шестигранного ключа на 4 мм (що не входить до комплекту поставки) по мірі необхідності так, щоб диск був нахилений під кутом 0° до столу відповідно до вимірів косинцем.

Регулювання упору кута нахилу 45° вліво (рис. A, L1, L2)

Для регулювання лівого упору кута нахилу 45° спочатку звільніть ручку фіксації кута нахилу і нахиліть головку до зупинки. Переконайтеся, що блокування кута нахилу знаходиться в положенні під кутом 45°; і якщо стрілка нахилу **40** не вказує точно на 45°, повертайте правий гвинт регулювання нахилу 45° **42** до тих пір, поки стрілка кута нахилу **40** не встане на 45°.

Використання захисного кожуха та видимість (рис. A, X)

ОБЕРЕЖНО! Небезпека затиснення. Щоб зменшити ризик отримання травм, тримайте великий палець під ручкою управління, коли тягнете її вниз. Якщо ручку управління тягнути вниз, нижній захисний кожух буде рухатися вгору, що може викликати затиснення.

Нижній захисний кожух **4** на пилі призначений для автоматичного відкривання диска при опусканні важеля і для закривання диска при піднятті важеля.

Перед кожним використанням або після здійснення регулювань прокрутіть важіль (без живлення) і переконайтеся, що захисний кожух плавню відкривається та закривається повністю. Він не повинен контактувати з диском. При підняттю вгору важелі підійміть захисний кожух (без живлення), як показано на рис. X, і відпустіть. Захисний кожух має швидко та повністю закритися. Не використовуйте пилку, якщо захисний кожух не рухається вільно та не фіксується відразу ж. Під час роботи пилки захисний кожух не дозволяється затискати або прив'язувати у відкритому положенні.

Кожух можна підняти вручну для заміни дисків або для огляду пили. НІКОЛИ НЕ ПІДНИМАЙТЕ НИЖНІЙ КОЖУХ ВРУЧНУ ДО ЗУПИНКИ ДИСКА.

ПРИМІТКА. Певні спеціальні розрізи матеріалу великих розмірів вимагають ручного піднімання захисного кожуху. Див. пункт **«Різка великого матеріалу»** у розділі **«Спеціальні розрізи»**.

Передня частина захисного кожуха має решітку, що покращує видимість при розпилюванні. Хоча жалюзі значно зменшують розлітання сміття, у кожуха є отвори. Слід завжди носити захисні окуляри.

Регулювання напрямних рейок (рис. A)

Періодично перевіряйте рейки **13** на наявність люфту або зазору. Рейки можна очистити сухою чистою тканиною. Праву рейку можна регулювати за допомогою гвинта налаштування рейки **19**, зображеного на рис. A. Для зменшення зазору використовуйте шестигранний ключ на 4 мм і поступово повертайте регулювальний гвинт за годинниковою стрілкою, одночасно переміщуючи головку пилки вперед і назад. Зменшіть зазор, зберігаючи мінімальну силу ковзання.

Підтримка довгих заготовок

УВАГА! Щоб знизити ризик серйозних тілесних ушкоджень, вимкніть інструмент та відключіть акумулятор перед виконанням будь-яких налаштувань, здійсненням очищення або обслуговування чи змінанням/встановленням додаткового обладнання або приладдя. Випадковий запуск може призвести до травм.

ЗАВЖДИ ДОБРЕ ФІКСУЙТЕ ДОВГІ ЗАГОТОВКИ.

Ніколи не використовуйте інших людей в якості заміни висувного столу, як додаткову опору заготовки, довжина або ширина якої перевищує базову ширину столу торцювальної пилки, а також для забезпечення подачі, підтримки або витягування заготовки.

Підтримуйте довгі заготовки, використовуючи будь-які звичайні засоби, як пильні козли або аналогічні пристрої для підтримки кінців заготовки.

Виготовлення картинних рам, невеликих ящиків та інших виробів з чотирма сторонами (рис. P, Q)

Щоб краще зрозуміти, як виготовляти наведені тут вироби, ми пропонуємо вам спробувати кілька простих проектів з використанням деревних відходів, поки ви не «відчуєте» свою пилку.

Ваша пилка – це ідеальний інструмент для обрізання кутів, як показано на рисунку P. На ескізі A рисунку Q показано з'єднання, виконане за допомогою регулювання нахилу для обрізання країв обох дощок під 45° кожна для створення кута 90°. Для цього з'єднання важіль скосу був заблокований в нульовому положенні, а регулювання кута нахилу – на 45°. Дощку необхідно було розмістити на столі пилки плоским боком до столу та вузькою стороною до напрямної. Розріз можна отримати, змінюючи кут скосу вправо або вліво, при цьому широка поверхня дошки має бути направлена до напрямної.

Різання профілів та інших рам (рис. Q)

На ескізі B рисунку Q показано з'єднання, виконане шляхом установки важеля скосу на 45°, щоб з'єднати дві дошки під кутом 90°. Для виконання цього типу з'єднання встановіть кут нахилу на нуль, а важіль скосу – на 45°. Знову розмістіть дошку на столі плоским боком до столу та вузькою стороною до напрямної.

На рисунках P і Q показані тільки чотирьохсторонні об'єкти.

При змін кількості сторін, потрібно змінювати кут скосу або нахилу. На наведеній нижче таблиці показані правильні кути для різних фігур.

– ПРИКЛАДИ –	
КІЛЬКІСТЬ СТОРІН	КУТ СКОСУ АБО НАХИЛУ
4	45°
5	36°
6	30°
7	25,7°
8	22,5°
9	20°
10	18°

У таблиці передбачається, що всі сторони мають рівну довжину. Для фігур, не показаних в таблиці, використовуйте наступну формулу: 180°, поділені на кількість сторін, дорівнюють куту скосу (якщо матеріал розрізаний вертикально) або нахилу (якщо матеріал розрізаний, лежачи на поверхні плоско).

Комбіноване різання (рис. R)

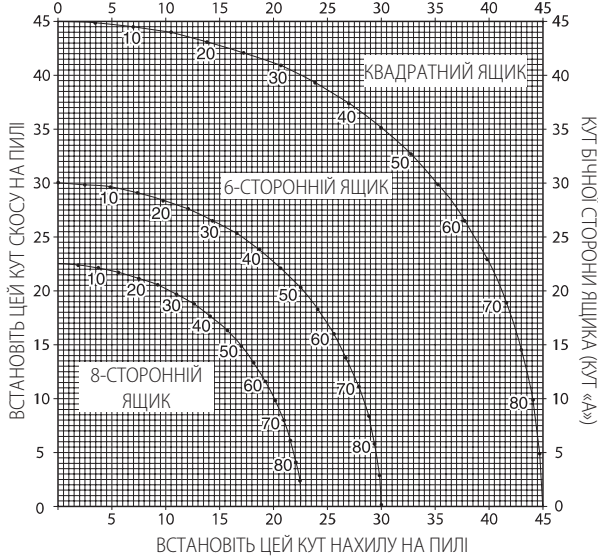
Комбіноване різання – це коли і кут скосу, і кут нахилу не дорівнюють нулю. Такі розрізи потрібно виконувати при виготовленні рам або ящиків з похилими стінками, як показано на рисунку R.

ПРИМІТКА. Якщо при роботі потрібно змінювати кути скосу і нахилу постійно, перевірте, щоб перед включенням пили були надійно зафіксовані обидві фіксуючі ручки. Тобто потрібно надійно затягувати фіксуючі ручки після кожної зміни кута скосу або нахилу.

Таблиця, наведена нижче, допоможе обрати потрібні кути нахилу і різання, для найбільш розповсюджених виробів. При використанні діаграми потрібно спочатку визначити потрібний кут «А» (рис. R) і відкласти на відповідній дузі діаграми. Від цієї точки необхідно провести пряму донизу, щоб отримати кут нахилу, і горизонтальну пряму, щоб отримати кут скосу.

Встановіть отримані кути на пилі і зробіть кілька пробних відрізів. Потренуйтеся підганяти відрізані шматки разом до тих пір, поки не виробите навички для цієї процедури і не відчуєте себе з нею комфортно.

Приклад: Щоб зробити 4-сторонній ящик з кутами нахилу сторін 26° (кут «А», рис. R), використовуйте крайню праву дугу. Знайдіть 26° на шкалі дуги. Відкладіть горизонтальну пряму до будь-якої вертикальної осі і отримайте кут скосу пили (42°). Аналогічно проведіть вертикальну пряму донизу або догори і отримайте кут нахилу пили (18°). Завжди потрібно виконувати кілька пробних розрізів, щоб перевірити установки пили.



Різнання плінтусів (рис. S)

Прямі розрізи під кутом 90°:

Розмістіть дерев'яну заготовку на напрямній і утримуйте її на місці, як показано на рисунку S. Увімкніть пилу, дайте їй набрати повну швидкість і плавно опустіть ріжучу головку в розріз.

Різнання плінтусів висотою до 89 мм вертикально до напрямної

Розмістіть матеріал, як показано на рисунку S.

Всі розрізи слід виконувати з задньої сторони плінтуса до напрямної і з нижньої сторони плінтуса до столу.

	ВНУТРІШНІЙ КУТ	ЗОВНІШНІЙ КУТ
Ліва сторона	Скіс зліва 45°	Скіс справа 45°
	Отримувана деталь буде знаходитись зліва від диска	Отримувана деталь буде знаходитись зліва від диска
Права сторона	Скіс справа 45°	Скіс зліва 45°
	Отримувана деталь буде знаходитись справа від диска	Отримувана деталь буде знаходитись справа від диска

Матеріал до 89 мм можна різати, як описано вище. Ширина матеріалу не повинна перевищувати 19 мм.

Різнання карнизів (рис. T, U)

Для того, щоб правильно підігнати карниз, необхідно виконати комбінування з високою точністю.

Дві плоскі поверхні на цій частині карниза знаходяться під кутом, який при складенні становить рівно 90°. У більшості, але не у всіх карнизів верхній задній кут (секція, яка плоско прилягає до стелі) становить 52°, а нижній задній кут (частина, яка плоско прилягає до стіни) – 38°.

Ваша торцювальна пила має спеціальні встановлені точки фіксації під кутом 31,6° зліва і справа для різання карнизів під потрібним кутом. На шкалі нахилу також є відмітка 33,8°.

Налаштування **нахилу/діаграма тупів розрізів** дає правильні параметри для різання карнизів. (Цифри для регулювання параметрів скосу і нахилу дуже точні і задаються на пилі не так просто.) Оскільки в більшості приміщень кути не дорівнюють точно 90°, вам все одно доведеться точно налаштувати параметри.

ДУЖЕ ВАЖЛИВО ПРОВЕСТИ ПОПЕРЕДНЄ ТЕСТУВАННЯ З ВИКОРИСТАННЯМ ВІДХОДІВ!

Інструкція з різання карнизів при укладанні на плоску поверхню і використання властивостей комбінування

1. Покладіть форму на стіл пилки широкою задньою поверхнею вниз (рис. T).
2. Нижче наведені всі параметри для стандартного карниза (для США) з кутами 52° і 38°.

НАЛАШТУВАННЯ НАХИЛУ	ТИП РОЗРІЗУ
33,8°	ЛІВА СТОРОНА, ВНУТРІШНІЙ КУТ: Верхня частина форми навпроти напрямної Скіс стола встановлений праворуч під кутом 31,62° Отримувана деталь буде знаходитись зліва від диска
33,8°	ПРАВА СТОРОНА, ВНУТРІШНІЙ КУТ: Нижня частина форми навпроти напрямної Скіс стола встановлений ліворуч під кутом 31,62° Отримувана деталь буде знаходитись зліва від диска
33,8°	ЛІВА СТОРОНА, ЗОВНІШНІЙ КУТ: Нижня частина форми навпроти напрямної Скіс стола встановлений ліворуч під кутом 31,62° Отримувана деталь буде знаходитись справа від диска
33,8°	ПРАВА СТОРОНА, ЗОВНІШНІЙ КУТ: Верхня частина форми навпроти напрямної Скіс стола встановлений праворуч під кутом 31,62° Отримувана деталь буде знаходитись справа від диска

ПРИМІТКА. Під час налаштування кутів нахилу і скосу для всіх комбінованих скосів пам'ятайте, що кути, приведені для карнизу, дуже точні і їх важко точно налаштувати. Так як їх можна легко зрушити, і лише в небагатьох приміщеннях є точні прямі кути, **всі параметри треба перевірити на формах з відходів.**

ДУЖЕ ВАЖЛИВО ПРОВЕСТИ ПОПЕРЕДНЄ ТЕСТУВАННЯ З ВИКОРИСТАННЯМ ВІДХОДІВ!

Альтернативний спосіб різання карнизів

Покладіть форму під кутом між напрямною **11** і столом пилки **43**, як показано на рис. U.

Перевага такого методу різання карнизів полягає в тому, що не потребується різання фасок. Незначні зміни кута скосу можна виконувати без впливу на кут нахилу. Таким чином, при виявленні кутів, відмінних від 90°, пилку можна швидко і легко підігнати під них.

Інструкція з різання карнизів під кутом між напрямною і столом пилки для всіх розрізів

За допомогою цієї пилки можна вирізати вкладені карнизи до 14 мм x 92 мм.

1. Покладіть форму під кутом між напрямною **11** і столом пилки **43**, як показано на рис. U.
2. Похилі «площини» на задній стороні форми мають бути розташовані прямо на напрямній і столі пилки.

	ВНУТРІШНІЙ КУТ	ЗОВНІШНІЙ КУТ
Ліва сторона	Скіс справа під кутом 45° Отримувана деталь буде знаходитись справа від диска	Скіс зліва під кутом 45° Отримувана деталь буде знаходитись справа від диска
Права сторона	Скіс зліва під кутом 45° Отримувана деталь буде знаходитись зліва від диска	Скіс справа під кутом 45° Отримувана деталь буде знаходитись зліва від диска

Спеціальні розрізи

НІКОЛИ НЕ РОЗРІЗУЙТЕ МАТЕРІАЛ, НЕ ВИКОНАВШИ ФІКСАЦІЮ МАТЕРІАЛУ ДО СТОЛУ ТА ДО НАПРЯМНОЇ.

Зігнутий матеріал (рис. V, W)

При різанні вигнутого матеріалу завжди розташуйте його, як показано на рисунку V, і ніколи, як показано на рисунку W. Невірне розташування матеріалу може призвести до затиснення диску біля завершення розрізу.

Різнання круглого матеріалу

КРУГЛИЙ МАТЕРІАЛ СЛІД МІЦНО ПРИТИСНУТИ АБО ЗАКРІПИТИ ДО НАПРЯМНОЇ, ЩОБ ЗАПОБІГТИ ЙОГО СКОЧУВАННЮ. Це особливо важливо при виконанні розрізів під кутом.

Різання великого матеріалу (рис. X)

Час від часу вам може попастися шматок дерева, занадто великий, щоб розташувати його під нижнім захисним кожухом. Для очищення кожуха від деревини, вимкнувши пилку і тримаючи праву руку на ручці управління, помістіть великий палець правої руки за межами верхньої частини кожуха і переверніть його так, щоб очистити від деревини (див. рисунок X). Перед початком роботи двигуна відпустіть кожух. Захисний механізм буде працювати належним чином під час різання. Робіть це тільки при необхідності. **НИКОЛИ НЕ ПРИВ'ЯЗУЙТЕ, НЕ ПРИКЛЕЮЙТЕ ТА НЕ ФІКСУЙТЕ ЗАХИСНИЙ КОЖУХ ІНШИМ ЧИНОМ ПРИ РОБОТІ З ПИЛОЮ.**

ТЕХНІЧНЕ ОБСЛУГОВУВАННЯ

Ваш електричний інструмент призначений для роботи протягом довгого часу з мінімальним обслуговуванням. Довга задовільна робота приладу залежить від належного обслуговування приладу та регулярного його очищення.



ПОПЕРЕДЖЕННЯ: Щоб знизити ризик серйозних тілесних ушкоджень, вимкніть інструмент та відключіть акумулятор перед виконанням будь-яких налаштувань або змінням/встановленням додаткового обладнання або приладдя. Випадковий запуск може призвести до травм.

Зарядний пристрій та акумулятор не підлягають обслуговуванню.



Змачування

Ваш електричний інструмент не вимагає додаткового змачування.



Очищення



ПОПЕРЕДЖЕННЯ: Коли пил та бруд стають помітними та починають накопичуватися біля вентиляційних отворів, видавайте бруд та пил зсередини основного корпусу за допомогою сухого повітря. Використовуйте рекомендовані засоби захисту органів зору та рекомендовану протипилову маску при виконанні цієї операції.



ПОПЕРЕДЖЕННЯ: Ніколи не використовуйте розчинники та інші агресивні хімічні засоби для очищення неметалевих деталей інструмента. Такі хімічні речовини можуть нанести шкоду матеріалам, що використовуються в цих деталях. Використовуйте вологу ганчірку, змочену лише водою з м'яким милом. Не дозволяйте рідині потрапляти всередину інструмента та ніколи не занурюйте деталі інструмента в рідину.

Додаткове приладдя



УВАГА! Через те, що інші аксесуари, що не рекомендовані компанією DEWALT не були перевірені з цим продуктом, використання таких аксесуарів з цим інструментом може бути небезпечним. Щоб знизити ризик травми, використовуйте лише приладдя, рекомендоване компанією DEWALT.

Нижче наведена інформація про додаткові пристосування для пили. У деяких випадках більш доцільним може бути використання робочих опор, упорів для встановлення довжини, струбцин та інших додаткових пристосувань від сторонніх постачальників. Додаткові пристосування слід обирати уважно. Зверніться до свого дилера для отримання подальшої інформації щодо відповідного приладдя.

Пильні диски

ВИКОРИСТОВУЙТЕ ЛИШЕ ПИЛЬНІ ДИСКИ 184 мм з КРУГЛИМИ ЦЕНТРОВИМИ ОТВОРАМИ ДІАМЕТРОМ 16 мм і МАКСИМАЛЬНИМ ПРОРІЗОМ в 2,1 мм. ШВИДКІСТЬ ОБЕРТАННЯ МАЄ СКЛАДАТИ НЕ МЕНШЕ 400 ОБ/ХВ. НЕ ВИКОРИСТОВУЙТЕ ДИСКИ З РОМБОПОДІБНИМИ ЦЕНТРОВИМИ ОТВОРАМИ. Використання інших дисків заборонено. Захисний кожух пили не забезпечує належний захист для менших дисків. Слід використовувати лише диски для поперечного різання! Забороняється застосовувати диски для поздовжнього різання, комбіновані диски та диски с переднім кутом зубів більше 7°.

ПАРАМЕТРИ ДИСКІВ		
ЗАСТОСУВАННЯ	ДІАМЕТР	КІЛЬКІСТЬ ЗУБІВ
Загального використання	184 мм	40
Тонке різьблення по дереву	184 мм	60

Захист навколишнього середовища



Роздільний збір. Пристрої і акумулятори позначені цим символом, не можна викидати зі звичайним побутовим сміттям.

Пристрої і акумулятори містять матеріали, які можна відновити та переробити, що зменшить потребу у сировині. Утилізуйте електротехнічну продукцію і акумулятори відповідно до місцевих положень. Більш детальну інформацію можна отримати на сайті www.2helpU.com.

Придатність акумулятора для перезарядки

Дана модель акумулятора підлягає перезарядці у випадку зниження його потужності при виконанні завдань, що попередньо не вимагали особливих зусиль. Наприкінці терміну служби акумулятора утилізуйте його у спосіб, безпечний для навколишнього середовища.

- Повністю розрядіть акумулятор, потім витягніть його з інструменту.
- Літій-іонні акумулятори можна повторно переробляти. Відправте їх до свого дилера або на місцеву переробну станцію. Там зібрані акумулятори будуть перероблені або знищені належним чином.



Виробник:
"Stanley Black & Decker Deutschland GmbH" Black-&-Decker Str.40, D-65510 Idstein, Німеччина

Інструкції щодо виявлення та усунення несправностей ОБОВ'ЯЗКОВО ДОТРИМУЙТЕСЬ ПРАВИЛ ТА ІНСТРУКЦІЙ З ТЕХНІКИ БЕЗПЕКИ

НЕСПРАВНІСТЬ	ЩО НЕ ТАК?	ЩО РОБИТИ
Пила не запускається	Батарея не встановлена	Встановіть батарею. Див. розділ « <i>Встановлення та витягування акумулятора</i> ».
	Акумулятор не заряджений	Зарядіть акумулятор. Див. розділ « <i>Процедура зарядження</i> ».
	Щітки зношені	Замініть щітки в авторизованому сервісному центрі.
Пила робить незадовільні розрізи	Тупий диск	Замініть диск. Див. розділ « <i>Заміна або установка нового пильного диска</i> ».
	Диск встановлено задом наперед	Поверніть диск. Див. розділ « <i>Заміна або установка нового пильного диска</i> ».
	На диску гумка або смола	Витягніть диск і очистіть його грубою сталевю мочалкою і скипидаром або побутовим очисником для духовок.
	Диск не відповідає виконуваній роботі	Змініть тип диска. Див. пункт « <i>Пильні диски</i> » в розділі «Додаткове приладдя».
Блимає лампа робочого освітлення XPS™	Акумулятор не заряджений	Зарядіть акумулятор. Див. розділ « <i>Процедура зарядження</i> ».
Пристрій надмірно вібрує	Пила ненадійно закріплена на стійці або робочому столі	Затягніть всі кріпильні пристосування. Див. розділ « <i>Кріплення до верстаку</i> ».
	Стойка або верстак стоїть на нерівній підлозі	Встановіть на рівній поверхні. Див. розділ « <i>Ознайомлення</i> ».
	Пильний диск пошкоджений	Замініть диск. Див. розділ « <i>Заміна або установка нового пильного диска</i> ».
Косі розрізи виходять неточними	Шкала повороту відрегульована неправильно	Перевірте та відрегулюйте. Див. пункт « <i>Регулювання шкали повороту</i> » в розділі « <i>Налаштування</i> ».
	Диск знаходиться не під прямим кутом до напрямної	Перевірте та відрегулюйте. Див. пункт « <i>Регулювання шкали повороту</i> » в розділі « <i>Налаштування</i> ».
	Диск знаходиться не під прямим кутом до столу	Перевірте та відрегулюйте напрямну. Див. пункт « <i>Регулювання куту нахилу відносно столу</i> » в розділі « <i>Налаштування</i> ».
	Заготовка рухається	Надійно закріпіть заготовку до напрямної або приклейте наждачний папір із зернистістю 120 до напрямної за допомогою каучукового клею.
	Накладка із прорізом зношена або пошкоджена	Зверніться до авторизованого сервісного центру.
Матеріал затискає диск	Різання зігнутого матеріалу	Див. пункт « <i>Зігнутий матеріал</i> » в розділі « <i>Спеціальні розрізи</i> ».

