

DEWALT®

XR®

English (*original instructions*)

4



www.DEWALT.com

DCMPP568

Fig. A

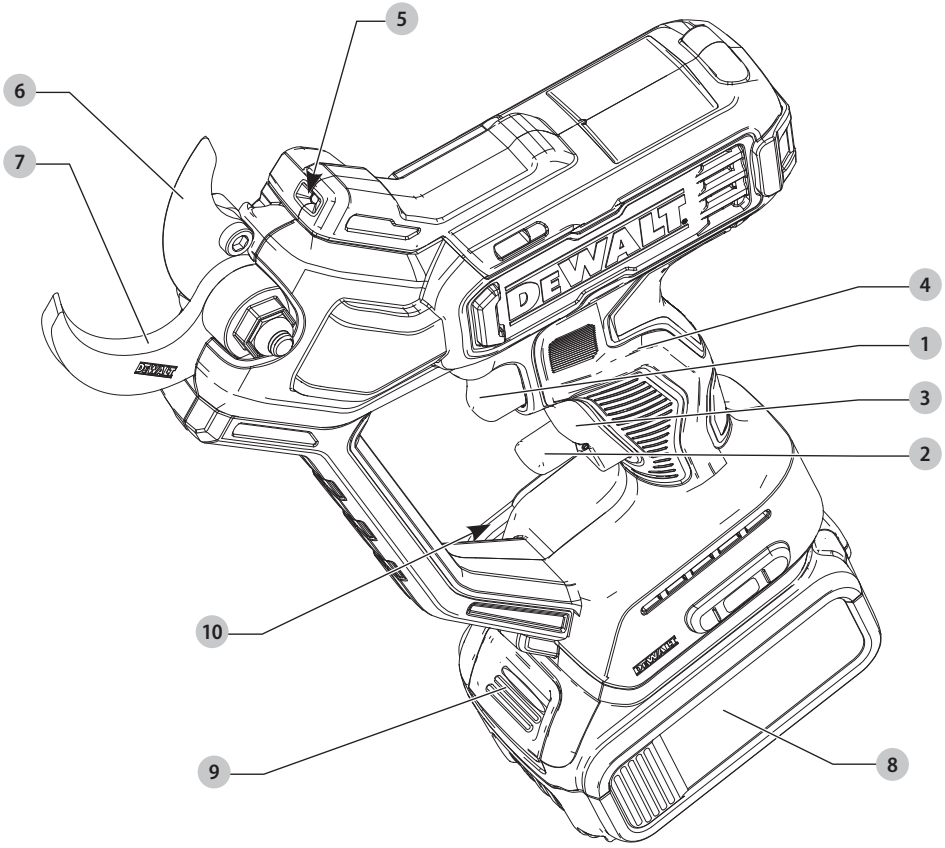


Fig. B

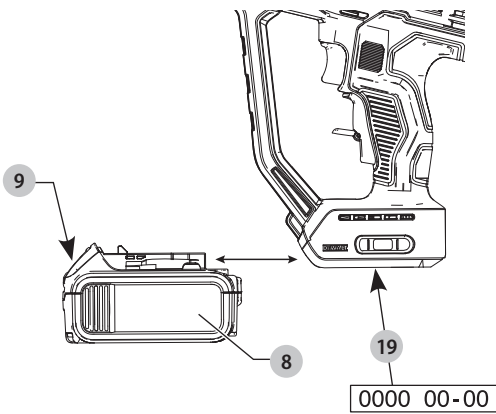


Fig. C

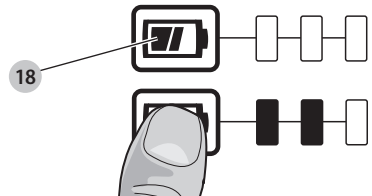


Fig. D

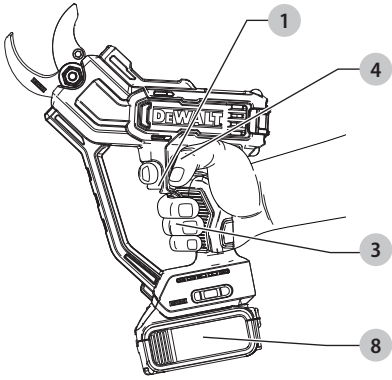


Fig. E

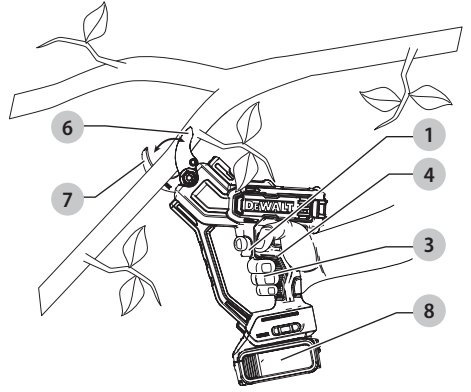


Fig. F

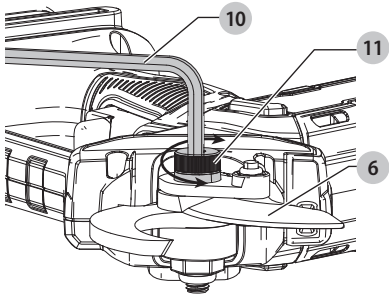


Fig. G

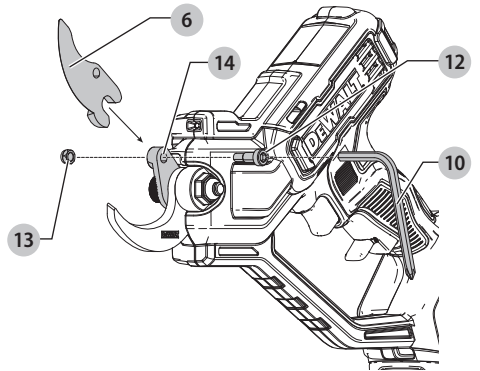
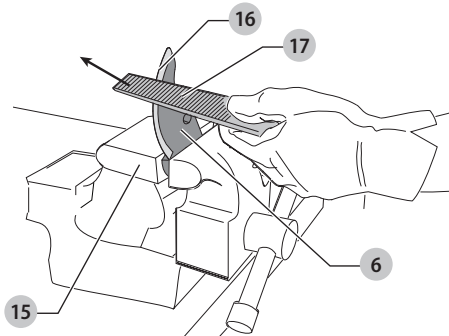



Fig. H



18V PRUNER


DCMPP568

 **WARNING: Read all safety warnings, instructions, illustrations, and specifications in this manual, including the battery and charger sections provided in an original tool manual or the separate Batteries and Chargers manual. Manuals can be obtained by contacting Customer Service (refer to the back page of this manual).**

Technical Data

		DCMPP568
Voltage	V_{bc}	18
Type		1
Battery type		Li-Ion
Cut capacity	mm	38
Weight (without battery pack)	kg	1.37
Noise values and/or vibration values (triaux vector sum) according to EN62841:		
L_{PA} (emission sound pressure level at no load)	dB(A)	66
L_{WA} (sound power level at no load)	dB(A)	74
K (uncertainty for the given sound level)	dB(A)	3.0
Vibration emission value $a_h =$		
	m/s^2	0.6
Uncertainty K =	m/s^2	1.5

The vibration and/or noise emission level given in this information sheet has been measured in accordance with a standardised test given in EN62841 and may be used to compare one tool with another. It may be used for a preliminary assessment of exposure.

 **WARNING:** The declared vibration and/or noise emission level represents the main applications of the tool. However if the tool is used for different applications, with different accessories or poorly maintained, the vibration and/or noise emission may differ. This may significantly increase the exposure level over the total working period.

An estimation of the level of exposure to vibration and/or noise should also take into account the times when the tool is switched off or when it is running but not actually doing the job. This may significantly reduce the exposure level over the total working period.

Identify additional safety measures to protect the operator from the effects of vibration and/or noise such as: maintain the tool and the accessories, keep the hands warm (relevant for vibration), organisation of work patterns.

EC-Declaration of Conformity Machinery Directive



Pruner DCMPP568

DEWALT declares that these products described under **Technical Data** are in compliance with: 2006/42/EC, EN62841-1:2015 +A11:2022, EN ISO 12100:2010.

These products also comply with Directive 2014/30/EU and 2011/65/EU. For more information, please contact DEWALT at the following address or refer to the back of the manual.

The undersigned is responsible for compilation of the technical file and makes this declaration on behalf of DEWALT.


Markus Rompel
Vice-President Engineering, E-Europe
DEWALT, Richard-Klinger-Straße 11,
65510, Idstein, Germany
08.05.2024



WARNING: To reduce the risk of injury, read the instruction manual.

Definitions: Safety Guidelines


The definitions below describe the level of severity for each signal word. Please read the manual and pay attention to these symbols.

 **DANGER:** Indicates an imminently hazardous situation which, if not avoided, **will** result in **death or serious injury**.

 **WARNING:** Indicates a potentially hazardous situation which, if not avoided, **could** result in **death or serious injury**.

 **CAUTION:** Indicates a potentially hazardous situation which, if not avoided, **may** result in **minor or moderate injury**.

NOTICE: Indicates a practice **not related to personal injury** which, if not avoided, **may** result in **property damage**.

 Denotes risk of electric shock.

 Denotes risk of fire.

GENERAL POWER TOOL SAFETY WARNINGS

 **WARNING:** Read all safety warnings, instructions, illustrations and specifications provided with this power tool. Failure to follow all instructions listed below may result in electric shock, fire and/or serious injury.

SAVE ALL WARNINGS AND INSTRUCTIONS FOR FUTURE REFERENCE

The term "power tool" in the warnings refers to your mains-operated (corded) power tool or battery-operated (cordless) power tool.

1) Work Area Safety

- a) **Keep work area clean and well lit.** Cluttered or dark areas invite accidents.
- b) **Do not operate power tools in explosive atmospheres, such as in the presence of flammable liquids, gases or dust.** Power tools create sparks which may ignite the dust or fumes.
- c) **Keep children and bystanders away while operating a power tool.** Distractions can cause you to lose control.

2) Electrical Safety

- a) **Power tool plugs must match the outlet. Never modify the plug in any way. Do not use any adapter plugs with earthed (grounded) power tools.** Unmodified plugs and matching outlets will reduce risk of electric shock.
- b) **Avoid body contact with earthed or grounded surfaces, such as pipes, radiators, ranges and refrigerators.** There is an increased risk of electric shock if your body is earthed or grounded.
- c) **Do not expose power tools to rain or wet conditions.** Water entering a power tool will increase the risk of electric shock.
- d) **Do not abuse the cord. Never use the cord for carrying, pulling or unplugging the power tool. Keep cord away from heat, oil, sharp edges or moving parts.** Damaged or entangled cords increase the risk of electric shock.
- e) **When operating a power tool outdoors, use an extension cord suitable for outdoor use.** Use of a cord suitable for outdoor use reduces the risk of electric shock.
- f) **If operating a power tool in a damp location is unavoidable, use a residual current device (RCD) protected supply.** Use of an RCD reduces the risk of electric shock.

3) Personal Safety

- a) **Stay alert, watch what you are doing and use common sense when operating a power tool. Do not use a power tool while you are tired or under the influence of drugs, alcohol or medication.** A moment of inattention while operating power tools may result in serious personal injury.
- b) **Use personal protective equipment. Always wear eye protection.** Protective equipment such as a dust mask, non-skid safety shoes, hard hat or hearing protection used for appropriate conditions will reduce personal injuries.
- c) **Prevent unintentional starting. Ensure the switch is in the off-position before connecting to power source and/or battery pack, picking up or carrying the tool.** Carrying power tools with your finger on the switch or energising power tools that have the switch on invites accidents.
- d) **Remove any adjusting key or wrench before turning the power tool on.** A wrench or a key left attached to a rotating part of the power tool may result in personal injury.
- e) **Do not overreach. Keep proper footing and balance at all times.** This enables better control of the power tool in unexpected situations.
- f) **Dress properly. Do not wear loose clothing or jewellery. Keep your hair and clothing away from moving parts.** Loose clothes, jewellery or long hair can be caught in moving parts.
- g) **If devices are provided for the connection of dust extraction and collection facilities, ensure these are connected and properly used.** Use of dust collection can reduce dust-related hazards.

- h) **Do not let familiarity gained from frequent use of tools allow you to become complacent and ignore tool safety principles.** A careless action can cause severe injury within a fraction of a second.

4) Power Tool Use and Care

- a) **Do not force the power tool. Use the correct power tool for your application.** The correct power tool will do the job better and safer at the rate for which it was designed.
- b) **Do not use the power tool if the switch does not turn it on and off.** Any power tool that cannot be controlled with the switch is dangerous and must be repaired.
- c) **Disconnect the plug from the power source and/or remove the battery pack, if detachable, from the power tool before making any adjustments, changing accessories, or storing power tools.** Such preventive safety measures reduce the risk of starting the power tool accidentally.
- d) **Store idle power tools out of the reach of children and do not allow persons unfamiliar with the power tool or these instructions to operate the power tool.** Power tools are dangerous in the hands of untrained users.
- e) **Maintain power tools and accessories. Check for misalignment or binding of moving parts, breakage of parts and any other condition that may affect the power tool's operation. If damaged, have the power tool repaired before use.** Many accidents are caused by poorly maintained power tools.
- f) **Keep cutting tools sharp and clean.** Properly maintained cutting tools with sharp cutting edges are less likely to bind and are easier to control.
- g) **Use the power tool, accessories and tool bits etc. in accordance with these instructions, taking into account the working conditions and the work to be performed.** Use of the power tool for operations different from those intended could result in a hazardous situation.
- h) **Keep handles and grasping surfaces dry, clean and free from oil and grease.** Slippery handles and grasping surfaces do not allow for safe handling and control of the tool in unexpected situations.

5) Battery Tool Use and Care

- a) **Recharge only with the charger specified by the manufacturer.** A charger that is suitable for one type of battery pack may create a risk of fire when used with another battery pack.
- b) **Use power tools only with specifically designated battery packs.** Use of any other battery packs may create a risk of injury and fire.
- c) **When battery pack is not in use, keep it away from other metal objects, like paper clips, coins, keys, nails, screws or other small metal objects, that can make a connection from one terminal to another.** Shorting the battery terminals together may cause burns or a fire.
- d) **Under abusive conditions, liquid may be ejected from the battery; avoid contact. If contact accidentally occurs, flush with water. If liquid contacts eyes, additionally seek medical help.** Liquid ejected from the battery may cause irritation or burns.

- e) **Do not use a battery pack or tool that is damaged or modified.** Damaged or modified batteries may exhibit unpredictable behaviour resulting in fire, explosion or risk of injury.
- f) **Do not expose a battery pack or tool to fire or excessive temperature.** Exposure to fire or temperature above 130 °C may cause explosion.
- g) **Follow all charging instructions and do not charge the battery pack or tool outside the temperature range specified in the instructions.** Charging improperly or at temperatures outside the specified range may damage the battery and increase the risk of fire.

6) Service

- a) **Have your power tool serviced by a qualified repair person using only identical replacement parts.** This will ensure that the safety of the power tool is maintained.
- b) **Never service damaged battery packs.** Service of battery packs should only be performed by the manufacturer or authorized service providers.

Residual Risks

In spite of the application of the relevant safety regulations and the implementation of safety devices, certain residual risks cannot be avoided. These are:

- Impairment of hearing.
- Risk of personal injury due to flying particles.
- Risk of burns due to accessories becoming hot during operation.
- Risk of personal injury due to prolonged use.

Battery Type






These battery packs may be used:

Battery	(kg)	Battery	(kg)
DCB546	1.08	DCB183/B/G	0.40
DCB547	1.46	DCB184/B/G	0.62
DCB548	1.46	DCB185	0.35
DCB549	2.12	DCB187	0.54
DCB181	0.35	DCB189	0.54
DCB182	0.61	DCBP034/G	0.32

Refer to the battery/charger manual for more information.

Markings on Tool

The following pictograms are shown on the tool:

-  Read instruction manual before use.
-  Wear eye protection.
-  Do not expose the tool to rain or high humidity or leave outdoors while it is raining.
-  Keep hands away.
-  Cutter continues to run after the motor is switched off



Thrown objects can cause injury.



Keep bystanders away.



Switch the tool off. Before performing any maintenance on the tool, remove the battery from the tool.

Date Code Position (Fig. B)

The production date code **19** consists of a 4-digit year followed by a 2-digit week and is extended by a 2-digit factory code.

Description (Fig. A)

▲ WARNING: Never modify the power tool or any part of it. Damage or personal injury could result.

- 1 Trigger switch
- 2 Lock-off button
- 3 Lock-off switch
- 4 Main handle
- 5 LED worklight
- 6 Cutting blade
- 7 Fixed blade
- 8 Battery†
- 9 Battery release button
- 10 Hex wrench

†Included in some packages.

NOTE: Check for damage to the tool, parts or accessories which may have occurred during transport.

Intended Use

Your DEWALT, DCMPP568 pruner has been designed for professional landscaping applications. This pruner is intended to be used on plant materials only.

DO NOT use under wet conditions or in the presence of flammable liquids or gases.

This pruner is a professional power tool.

DO NOT let children come into contact with the tool. Supervision is required when inexperienced operators use this tool.

- **Young children and the infirm.** This appliance is not intended for use by young children or infirm persons without supervision.
- This product is not intended for use by persons (including children) suffering from diminished physical, sensory or mental abilities; lack of experience, knowledge or skills unless they are supervised by a person responsible for their safety. Children should never be left alone with this product.

ASSEMBLY AND ADJUSTMENTS

▲ WARNING: To reduce the risk of serious personal injury, turn tool off and disconnect battery pack before making any adjustments or removing/installing attachments or accessories. An accidental start-up can cause injury.

▲ WARNING: Use only DEWALT battery packs and chargers.

Inserting and Removing the Battery Pack from the Tool (Fig. B)

NOTE: Make sure your battery pack **8** is fully charged.

To Install the Battery Pack into the Tool Handle

1. Align the battery pack with the rails inside the tool's handle (Fig. B).
2. Slide it into the handle until the battery pack is firmly seated in the tool and ensure that you hear the lock snap into place.

To Remove the Battery Pack from the Tool

1. Press the battery release button **9** and firmly pull the battery pack out of the tool handle.
2. Insert battery pack into the charger.

Fuel Gauge Battery Packs (Fig. C)

Some DEWALT battery packs include a fuel gauge, which consists of three green LED lights that indicate the level of charge remaining in the battery pack.

To actuate the fuel gauge, press and hold the fuel gauge button **18**. A combination of the three green LED lights will illuminate, designating the level of charge left. When the level of charge in the battery is below the usable limit, the fuel gauge will not illuminate and the battery will need to be recharged.

NOTE: The fuel gauge is only an indication of the charge left on the battery pack. It does not indicate tool functionality and is subject to variation based on product components, temperature and end-user application.

OPERATION

Instructions for Use

▲ WARNING: Always observe the safety instructions and applicable regulations.

▲ WARNING: To reduce the risk of serious personal injury, turn tool off and disconnect battery pack before making any adjustments or removing/installing attachments or accessories. An accidental start-up can cause injury.

▲ WARNING: Do not store or use the tool and battery pack in locations where the temperature may fall below 4 °C (39.2 °F) (such as outside sheds or metal buildings in winter), or reach or exceed 40 °C (104 °F) (such as outside sheds or metal buildings in summer).

Proper Hand Position (Fig. D, E)

▲ WARNING: To reduce the risk of serious personal injury, ALWAYS use proper hand position as shown.

▲ WARNING: To reduce the risk of serious personal injury, ALWAYS hold securely in anticipation of a sudden reaction. Proper hand position requires one hand on the main handle **4**. Keep other hand far from the cutting action.

Switching On (Fig. A, D)

▲ DANGER: Keep hands and other body parts away from the blade. Contact with the blade will result in serious personal injury laceration and amputation hazard.

▲ WARNING: Never attempt to lock a switch in the ON position.

1. Keeping your hands and other body parts away from the blade, push the lock-off button **2** down and squeeze the lock-off switch **3** then squeeze the trigger switch **1**.
2. The cutting blade **6** will make a cut cycle. Once this cycle is complete you must release the trigger switch **1**.

3. To make repeated cuts, squeeze the trigger switch **1** again while continuing to hold down lock off switch **3**.

4. To turn the tool off, release the trigger switch **1** and the lock-off switch **3**.

NOTE: In order to keep the unit powered on, you must continue to squeeze the lock-off switch **3**. If held too long the tool will time out and will need to release switches and start again.

NOTE: If the lock-off button **2** or lock-off switch **3** are unintentionally depressed without squeezing the trigger switch **1**, the tool will power off.

LED Worklight (Fig. A)

▲ CAUTION: Do not stare into worklight. Serious eye injury could result.

The LED worklight **5** is activated when the trigger switch **1** is depressed, and will automatically turn off 20 seconds after the trigger switch is released. If the trigger switch remains depressed, the worklight will remain on.

NOTE: The worklight is for lighting the immediate work surface and is not intended to be used as a flashlight.

Pruning Instructions (Fig. A, D, E)

▲ DANGER: Keep hands and other body parts away from the blade. Contact with the blade will result in serious personal injury.

▲ WARNING: To guard against injury, observe the following:

- Read instruction manual before using. Save instruction manual.
- Check the shrub for foreign objects such as wires or fences before each use.

- Keep hand on firmly on tool and other hand far away from cutting action. Don't overreach.

- Do not use under wet conditions.

▲ CAUTION: Do not use blade to cut branches greater than 38 mm. Use the pruner only for cutting normal shrubbery around houses and buildings.

Working Position (Fig. A, D, E)

Maintain proper footing and balance and do not overreach. Wear safety goggles, non-skid footwear and gloves when pruning. Hold the tool firmly. Always hold the pruner, as shown in Fig. D. Refer to **Proper Hand Position** for more information. Never hold the tool by the blades.

1. Position the branch to be cut between the cutting blade **6** and fixed blade **7**.
2. Push the lock-off button **2** down and squeeze the lock-off switch **3** then squeeze the trigger switch **1**.

3. The cutting blade **6** will make a cut cycle and cut the branch off. **NOTE:** Cut branches at an angle for a cleaner cut.

4. Release the trigger switch.

NOTE: If more branches need to be cut, at the same time, the lock-off switch **3** can be held down and actuate the trigger switch **1** as needed. Otherwise, repeat steps 1-4.

MAINTENANCE

Your power tool has been designed to operate over a long period of time with a minimum of maintenance. Continuous satisfactory operation depends upon proper tool care and regular cleaning.

▲ WARNING: To reduce the risk of serious personal injury, turn tool off and disconnect battery pack before making any adjustments or removing/installing attachments or accessories. An accidental start-up can cause injury. The charger and battery pack are not serviceable.

Removing and Installing Blade (Fig. A, F, G)

▲ DANGER: RISK OF INJURY. WHEN REASSEMBLING THE BLADE SYSTEM, ENSURE EACH PART IS REINSTALLED CORRECTLY, AS DESCRIBED BELOW. IMPROPER ASSEMBLY OF THE BLADE OR OTHER PARTS OF THE BLADE SYSTEM CAN CAUSE SERIOUS INJURY.

▲ DANGER: To reduce the risk of serious personal injury, turn unit off, remove battery pack before making any adjustments or removing/installing attachments or accessories. An accidental start-up can cause serious personal injury.

▲ WARNING: Use gloves and proper eye protection. Be careful of the sharp edges on the blade.

Replacement blades are available from your nearest authorised service centre. This pruner requires replacement blade DCMPPRB1.

1. Remove the battery.
2. Wear proper eye protection and gloves and be careful not to cut yourself.
3. Place the product on a smooth, level surface.
4. Using the supplied hex wrench **10** loosen the fixed blade screw **11** one full turn as shown in Fig. F. This will allow for easier removal and assembly of the cutting blade **6**.
5. Flip the product onto its other side.
6. Using the hex wrench **10** remove the cutting blade screw **12** and nut **13** as shown in Fig. G.
7. Remove the cutting blade **6** as shown in Fig. G.
8. Install the new cutting blade.

NOTE: Ensure the cutting edge faces toward the fixed cutting blade as shown in Fig. F.

9. Insert the cutting blade screw **12** through the cutting blade and screw mount **14** into nut **13**.
10. Use the hex wrench to loosely tighten the cutting blade screw **12**.
11. Flip the product onto its other side and use the hex wrench **10** to fully tighten the fixed blade screw **11** as shown in Fig. G.
12. Flip the product onto its other side and use the hex wrench **10** to fully tighten the cutting blade screw **12**.

Blade Maintenance (Fig. H)

▲ WARNING: Use gloves and proper eye protection while removing, sharpening, and installing blade.

The cutting blade is made from high quality, hardened steel and with normal usage, the blade will not require resharpening. However, if you accidentally hit a wire fence, stones, glass, or other hard objects, you may put a nick in the blade. There is no need to remove this nick as long as it does not interfere with the movement of the blade. If you drop the pruner, carefully inspect it for damage. If the blade is bent, housing cracked, handles broken or if you see any other condition that may affect the tool's operation contact your local authorized service center for repairs before putting it back into use.

1. Remove the battery.
2. Remove blade from pruner. See instructions for **Removing and Installing Blade**.
3. Wear proper eye protection and gloves and be careful not to cut yourself.
4. Secure blade **6** in a vise **15** as shown in Fig. H.

5. Carefully file the cutting edge **16** of the cutting blade with a fine tooth file **17** (not included) or sharpening stone (not included), maintaining the angle of the original cutting edge of the cutting blade.

6. Inspect the edge of the fixed blade and remove any burrs with a fine tooth file.

7. Install sharpened cutting blade as described in the **Removing and Installing Blade** section.

Blade Lubrication (Fig. A)

1. After use, remove the battery **8**.
2. Carefully apply a resin solvent to the exposed blades.

Storage (Fig. A)

▲ WARNING: Keep your hands away from the blade.

1. After use, remove the battery.
2. Store in a dry location, away from the reach of children.

Lubrication

Your power tool requires no additional lubrication.

Cleaning

▲ WARNING: Electrical shock and mechanical hazard. Remove the battery before cleaning.

▲ WARNING: To ensure safe and efficient operation, always keep the electrical appliance and the ventilation slots clean.

▲ WARNING: Never use solvents or other harsh chemicals for cleaning the non-metallic parts of the tool. These chemicals may weaken the materials used in these parts. Use a cloth dampened only with water and mild soap. Never let any liquid get inside the tool; never immerse any part of the tool into a liquid.

Ventilation slots can be cleaned using a dry, soft non-metallic brush and/or a suitable vacuum cleaner. Do not use water or any cleaning solutions. Wear approved eye protection and an approved dust mask.

Optional Accessories

▲ WARNING: Since accessories, other than those offered by DEWALT, have not been tested with this product, use of such accessories with this tool could be hazardous. To reduce the risk of injury, only DEWALT recommended accessories should be used with this product.

Consult your dealer for further information on the appropriate accessories.

Protecting the Environment



Products/batteries are recyclable, but if marked with the crossed-out bin, they must not be disposed of with normal household waste.

Run the batteries down completely and separate them, and separate any light sources from the product if possible. It is the user's responsibility to delete personal data from the product. Then take the waste to an official waste collection center or a participating retailer who will often accept it free of charge. Packaging should be discarded based on the marked material code. Operating and safety instructions should only be discarded once the applicable product is no longer in use. Please check with your local community/municipality for waste management guidance. For further information, visit www.2helpU.com and scan the above QR code.

Australia / New Zealand	Tel: Aust Tel: NZ	1800 338 002 0800 339 258	www.dewalt.com.au www.dewalt.co.nz support@dewalt.au support@dewalt.co.nz
Belgique et Luxembourg België en Luxemburg	Tel: NL Tel: FR	32 15 47 37 63 32 15 47 37 64	www.dewalt.be support@dewalt.be support@dewalt.be.fr
Danmark	Tel:	70 20 15 10	www.dewalt.dk support@dewalt.dk
Deutschland	Tel:	06126-21-0	www.dewalt.de support@dewalt.de
Ελλάς	Τηλ:	00302108981616	www.dewalt.gr support@dewalt.gr
España	Tel:	934 797 400	www.dewalt.es support@dewalt.es
France	Tel:	04 72 20 39 20	www.dewalt.fr support@dewalt.fr
Schweiz, Suisse, Svizzera	Tel:	044 - 755 60 70	www.dewalt.ch support@dewalt.ch.de support@dewalt.ch.fr support@dewalt.ch.it
Ireland	Tel:	00353-2781800	www.dewalt.ie support@dewalt.ie
Italia	Tel:	800-014353 39 039-9590200	www.dewalt.it support@dewalt.it
Nederlands	Tel:	31 164 283 063	www.dewalt.nl support@dewalt.nl
Norge	Tel:	45 25 13 00	www.dewalt.no support@dewalt.no
Österreich	Tel:	01 - 66116 - 0	www.dewalt.at support@dewalt.at
Portugal	Tel:	+351 214667500	www.dewalt.pt support@dewalt.pt
Suomi	Puh:	010 400 4333	www.dewalt.fi support@dewalt.fi
Sverige	Tel:	031 68 61 60	www.dewalt.se support@dewalt.se
Türkiye	Tel:	+90 216 665 2900	tr.dewalt.global support@dewalt.com.tr
United Kingdom	Tel:	(+44) (0)1753 260094	www.dewalt.co.uk support@dewalt.co.uk
Middle East Africa	Tel:	971 4 812 7400	www.dewalt.ae support@dewalt.ae