

DEWALT®

XR®



www.DEWALT.com

DWH161

Fig. A

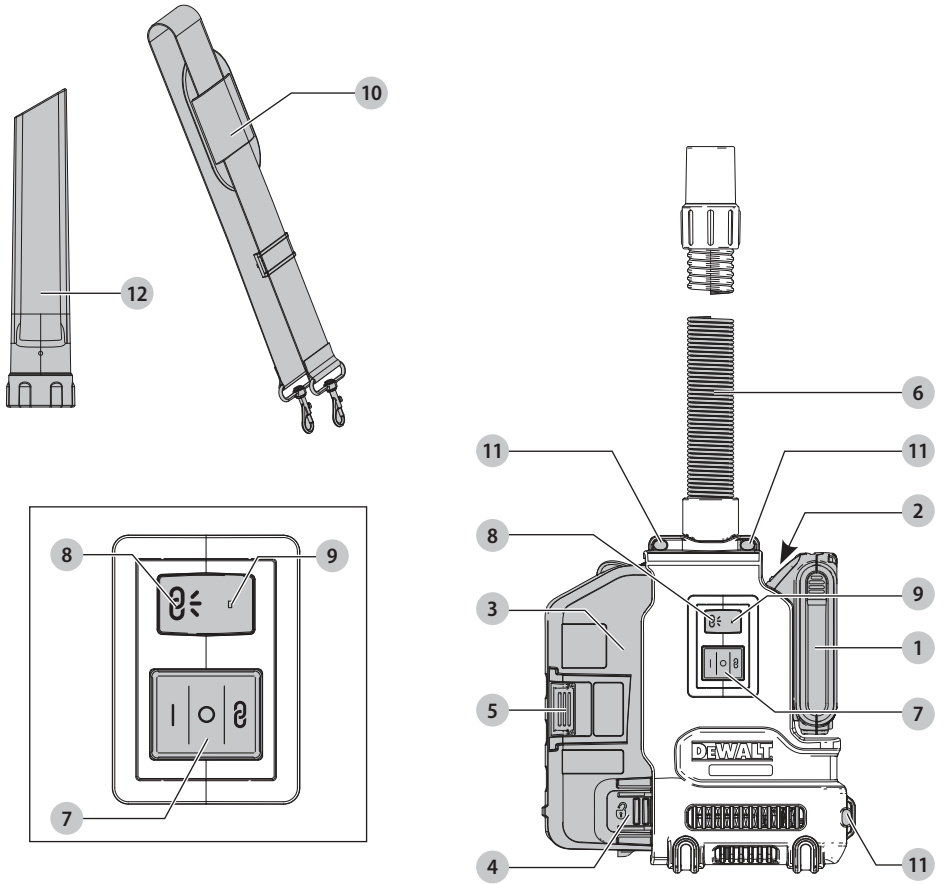


Fig. B

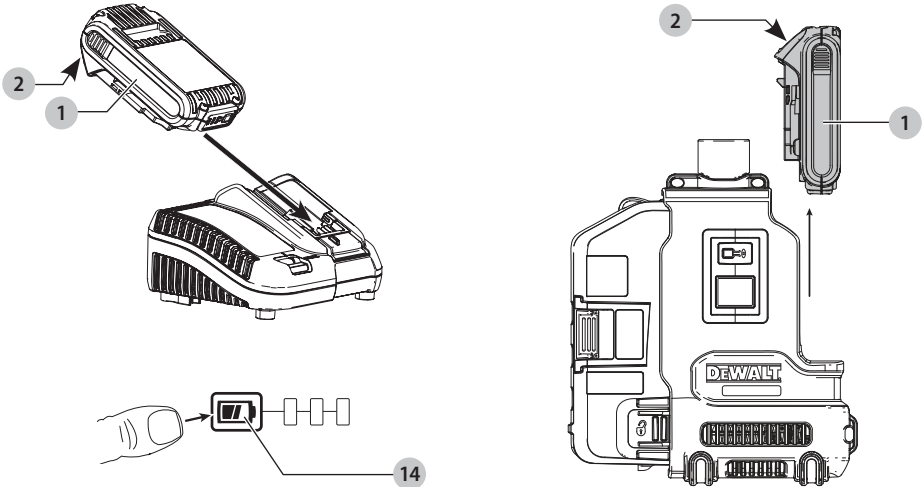


Fig. C

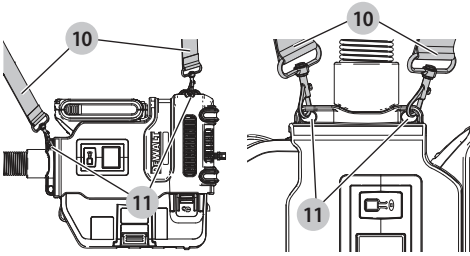


Fig. D

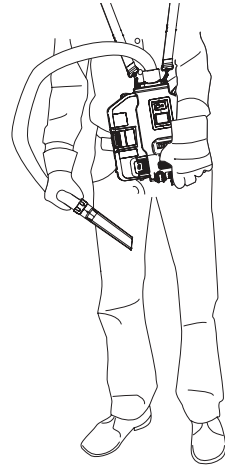


Fig. E

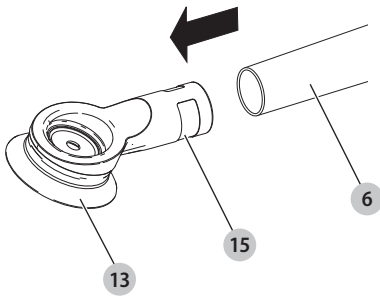


Fig. F

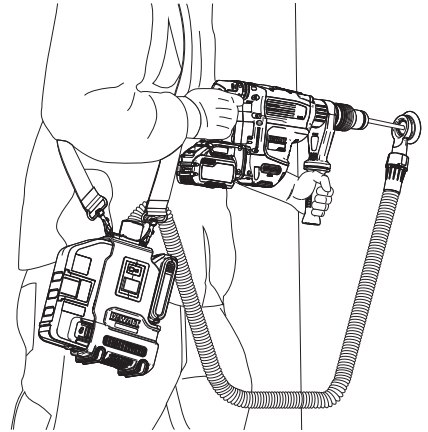


Fig. G

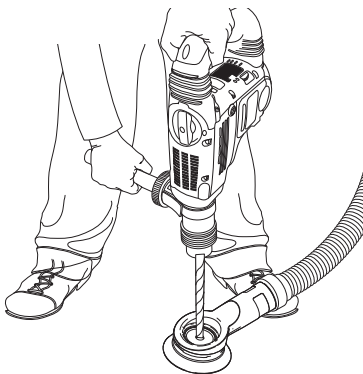


Fig. H

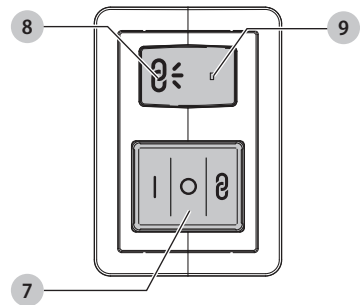


Fig. I

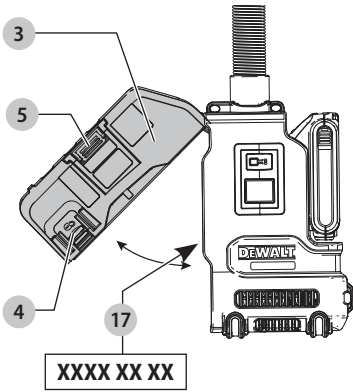


Fig. J

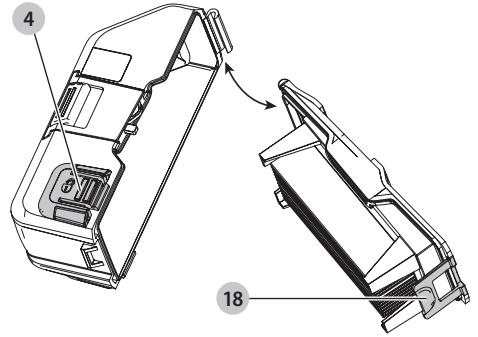


Fig. K

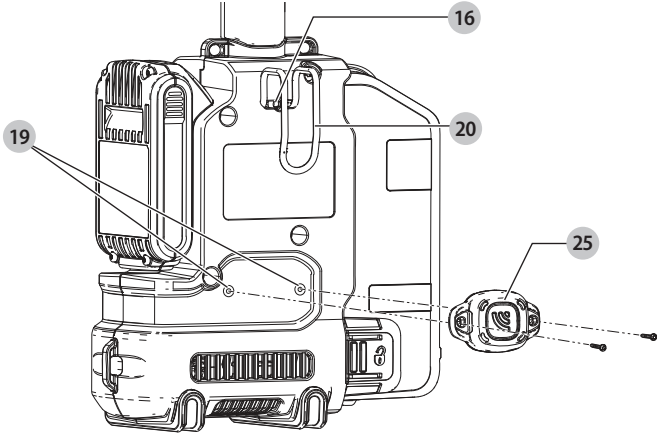
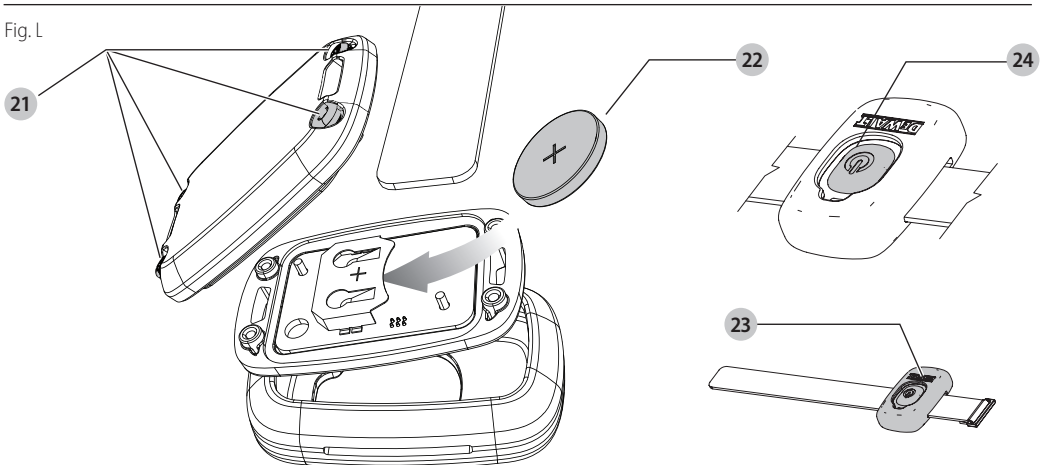


Fig. L



UNIVERSAL DUST EXTRACTOR

DWH161

Congratulations!

You have chosen a DEWALT dust extractor. Years of experience, thorough product development and innovation make DEWALT one of the most reliable partners for professional power tool users.

Technical Data

		DWH161
Voltage	V _{DC}	18
Type		1
Battery type		Li-Ion
Max. flow rate	L/s	9
Max. under pressure	kPa	9.5
Hose diameter	mm	26
Hose length	m	1.0
Weight (without battery pack)	kg	1.65
Wireless Tool Control™ remote (optional accessory)		N547456
Voltage	V _{DC}	3
Battery Type		CR2032
Frequency Band	MHz	433
Max Power (EIRP)	mW	0.03
Noise values according to EN60335-2-69:		
L _{PA} (emission sound pressure level)	dB(A)	66.3
L _{WA} (sound power level)	dB(A)	82.5
K (uncertainty for the given sound level)	dB(A)	1.5

The vibration total value ah to which the hand-arm system is subjected and measurements uncertainty K are determined in accordance with ISO 5349-1, the machine being supplied at rated voltage.

ah = <2.5 m/s², K = 0.06 m/s².

EC-Declaration of Conformity

Machinery Directive and Radio Equipment Directive



Dust Extractor DWH161

DEWALT declares that these products described under **Technical Data** are in compliance with: 2006/42/EC, EN60335-1:2012 + A11:2014 + A13:2017; EN60335-2-69:2012.

These products also comply with Directive 2014/53/EU and 2011/65/EU. For more information, please contact DEWALT at the following address or refer to the back of the manual.

The undersigned is responsible for compilation of the technical file and makes this declaration on behalf of DEWALT.

Markus Rompel
Vice-President Engineering, PTE-Europe
DEWALT, Richard-Klinger-Straße 11,
65510, Idstein, Germany
01.12.2022

DECLARATION OF CONFORMITY THE SUPPLY OF MACHINERY (SAFETY) REGULATIONS 2008 AND RADIO EQUIPMENT REGULATION 2017



Dust Extractor DWH161

DEWALT declares that these products described under "technical data" are in compliance with:

The Supply of Machinery (Safety) Regulations, 2008, S.I. 2008/1597 (as amended),

EN60335-1:2012 + A11:2014 + A13:2017; EN60335-2-69:2012. These products conform to the following UK Regulations: Electromagnetic Compatibility Regulations, 2016, S.I.2016/1091 (as amended).

Radio Equipment Regulations 2017, S.I. 2017/1206 (as amended): The Restriction of the Use of Certain Hazardous Substances in Electrical and Electronic Equipment Regulations 2012, S.I. 2012/3032 (as amended).

For more information, please contact DEWALT at the following address or refer to the back of the manual.

The undersigned is responsible for compilation of the technical file and makes this declaration on behalf of DEWALT.

Karl Evans
Vice President Professional Power Tools EANZ GTS
DEWALT UK, 270 Bath Road, Slough
Berkshire, SL1 4DX
United Kingdom
01.12.2022

Batteries				Chargers/Charge Times (Minutes).***									
Cat #	V _{DC}	Ah	Weight (kg)	DCB104	DCB107	DCB112/ DCB1102	DCB113	DCB115/ DCB1104	DCB116	DCB117	DCB118	DCB132	DCB119
DCB546	18/54	6.0/2.0	1.08	60	270	170	140	90	80	40	60	90	X
DCB547/G	18/54	9.0/3.0	1.46	75*	420	270	220	135*	110*	60	75*	135*	X
DCB548	18/54	12.0/4.0	1.46	120	540	350	300	180	150	80	120	180	X
DCB549	18/54	15.0/5.0	2.12	125	730	450	380	230	170	90	125	230	X
DCB181	18	1.5	0.35	22	70	45	35	22	22	22	22	22	45
DCB182	18	4.0	0.61	60/40**	185	120	100	60	60/45**	60/40**	60/40**	60	120
DCB183/B/G	18	2.0	0.40	30	90	60	50	30	30	30	30	30	60
DCB184/B/G	18	5.0	0.62	75/50**	240	150	120	75	75/60**	75/50**	75/50**	75	150
DCB185	18	1.3	0.35	22	60	40	30	22	22	22	22	22	40
DCB187	18	3.0	0.54	45	140	90	70	45	45	45	45	45	90
DCB189	18	4.0	0.54	60	185	120	100	60	60	60	60	60	120
DCBP034/G	18	1.7	0.32	27	82	50	40	27	27	27	27	27	50
DCBP518/G	18	5.0	0.75	50	240	150	120	75	60	50	50	75	150

*Date code 201811475B or later

**Date code 201536 or later

***Battery charge times matrix provided for guidance only; charge times will vary depending on temperature and condition of batteries.



WARNING: To reduce the risk of injury, read the instruction manual.



WARNING: To reduce the risk of fire, electric shock and injury:

Definitions: Safety Guidelines

The definitions below describe the level of severity for each signal word. Please read the manual and pay attention to these symbols.



DANGER: Indicates an imminently hazardous situation which, if not avoided, **will** result in **death or serious injury**.



WARNING: Indicates a potentially hazardous situation which, if not avoided, **could** result in **death or serious injury**.



CAUTION: Indicates a potentially hazardous situation which, if not avoided, **may** result in **minor or moderate injury**.

NOTICE: Indicates a practice **not related to personal injury** which, if not avoided, **may** result in **property damage**.



Denotes risk of electric shock.



Denotes risk of fire.

IMPORTANT SAFETY INSTRUCTIONS

SAVE ALL WARNINGS AND INSTRUCTIONS FOR FUTURE REFERENCE

READ ALL INSTRUCTIONS BEFORE USING THIS APPLIANCE

When using this appliance, basic safety precautions should always be followed including the following:



WARNING: Operators shall be adequately instructed on the use of this dust extractor.

- Do not leave the appliance unattended when the dust extractor is out of reach or sight. Remove the battery pack when not in use and before servicing.
- Do not allow appliance to be used as a toy. Close attention is necessary when used near children.
- Use this appliance **ONLY** as described in the manual. Use only recommended attachments and accessories.
- Do not use this appliance if it is showing signs of malfunction in any way. If the appliance is not working correctly, has been dropped, damaged, left outdoors, or dropped into water, return it to a service centre.
- Do not handle the appliance with wet hands.
- Do not put any objects into the openings of the appliance. Do not use the appliance with any opening blocked; keep free of dust, lint, hair and anything else that may reduce air flow.
- Keep hair, loose clothing, fingers, and all body parts away from the openings and moving parts.
- Turn off all controls before disconnecting from power source.
- Use extra care when cleaning on stairs.
- Use personal protective equipment. Always wear eye protection. Protective equipment such as dust mask, non-skid safety shoes, hard hat, or hearing protection used for appropriate conditions will reduce personal injuries.
- Stay alert, watch what you are doing and use common sense when operating a dust extractor. Do not use a dust extractor while you are tired or under the influence of drugs, alcohol or medication. A

moment of inattention while operating dust extractors may result in serious personal injury.

Additional Safety Warnings

- Prevent unintentional starting. Ensure the switch is in the off position before connecting to battery pack, picking up or transporting the appliance. Unintentional switch on with the finger on the switch can result in hazardous situations.
- Disconnect the battery pack from the appliance before making any adjustments, changing accessories, or storing appliance. Vacuum could be activated by the remote or a paired tool. Unintended energising of the appliance that has the switch on invites accidents.
- Recharge only with the charger specified by the manufacturer. A charger that is suitable for one type of battery pack may create a risk of fire when used with another battery pack.
- Use appliances only with specifically designated battery packs. Use of any other battery packs may create a risk of injury and fire.
- Use power tools and accessories which are connected to the vacuum in accordance with these instructions. Use of power tools for applications other than those intended can result in hazardous situations.
- When battery pack is not in use, keep it away from other metal objects, like paper clips, coins, keys, nails, screws or other small metal objects, that can make a connection from one terminal to another. Shorting the battery terminals together may cause burns or a fire.
- Under abusive conditions, liquid may be ejected from the battery; avoid contact. If contact accidentally occurs, flush with water. If liquid contacts eyes, additionally seek medical help. Liquid ejected from the battery may cause irritation or burns.
- Do not use a battery pack or appliance that is damaged or modified. Damaged or modified batteries may exhibit unpredictable behavior resulting in fire, explosion or risk of injury.
- Do not expose a battery pack or appliance to fire or excessive temperature. Exposure to fire or temperature above 40 °C may cause explosion.
- Have servicing performed by a qualified repair person using only identical replacement parts. This will ensure that the safety of the product is maintained.

Specific Safety Rules for Dust Extractors

- The appliance may only be used by persons who are familiar with it, have been trained on how to use it safely and who understand the resulting hazards.
- When picking up dust with an exposure limit value, precautions must be taken to ensure adequate air exchange in the room if the exhaust air from the appliance is released into the room. Be aware of the corresponding national regulations.
- Operator should observe any safety regulations to the material being handled.
- Do not use to vacuum combustible explosive materials, such as coal, grain, or other finely divided combustible material.

- Do not use the appliance to pick up liquids or wet dirt.
- Do not use in areas where flammable or combustible liquids are present.
- Do not use to vacuum hazardous, toxic or carcinogenic materials, such as asbestos or pesticide, unless the vacuuming of the material is specifically identified in this instruction manual as an approved use.
- Static shocks are possible in dry areas or when the relative humidity of the air is low. This is only temporary and does not affect the use of the dust extractor.
- To avoid spontaneous combustion, empty the canister after every use.
- Some wood contains preservatives which can be toxic. Take extra care to prevent inhalation and skin contact when working with these materials. Request and follow any safety information available from your material supplier.
- Do not use vacuum as a step ladder.
- Do not place heavy objects on dust extractor.



WARNING: To reduce the risk of fire, electric shock and injury:

- Do not pick up anything that is burning or smoking, such as cigarettes, matches or hot ashes.
- Do not use without filter in place.

Residual Risks

In spite of the application of the relevant safety regulations and the implementation of safety devices, certain residual risks cannot be avoided. These are:

- Impairment of hearing.
- Risk of personal injury due to flying particles.
- Health hazards caused by breathing dust.
- Risk of personal injury due to prolonged use.

SAVE THESE INSTRUCTIONS

Chargers

DEWALT chargers require no adjustment and are designed to be as easy as possible to operate.

Electrical Safety

The electric motor has been designed for one voltage only. Always check that the battery pack voltage corresponds to the voltage on the rating plate. Also make sure that the voltage of your charger corresponds to that of your mains.



Your DEWALT charger is double insulated; therefore no earth wire is required.

If the supply cord is damaged, it must be replaced only by DEWALT or an authorised service organisation.

Mains Plug Replacement (U.K. & Ireland Only).

If a new mains plug needs to be fitted:

- Safely dispose of the old plug.
- Connect the brown lead to the live terminal in the plug.
- Connect the blue lead to the neutral terminal.

⚡ WARNING: No connection is to be made to the earth terminal.

Follow the fitting instructions supplied with good quality plugs. Recommended fuse: 3 A.

Using an Extension Cable

An extension cord should not be used unless absolutely necessary. Use an approved extension cable suitable for the power input of your charger (see **Technical Data**). The minimum conductor size is 1 mm²; the maximum length is 30 m.

When using a cable reel, always unwind the cable completely.

Important Safety Instructions for All Battery Chargers

- Before using charger, read all instructions and cautionary markings on charger, battery pack, and product using battery pack.

⚡ WARNING: Shock hazard. Do not allow any liquid to get inside charger. Electric shock may result.

⚠ WARNING: We recommend the use of a residual current device with a residual current rating of 30mA or less.

🔥 CAUTION: Burn hazard. To reduce the risk of injury, charge only DEWALT rechargeable batteries. Other types of batteries may burst causing personal injury and damage.

⚠ CAUTION: Children should be supervised to ensure that they do not play with the appliance.

NOTICE: Under certain conditions, with the charger plugged into the power supply, the exposed charging contacts inside the charger can be shorted by foreign material. Foreign materials of a conductive nature such as, but not limited to, steel wool, aluminum foil or any buildup of metallic particles should be kept away from charger cavities. Always unplug the charger from the power supply when there is no battery pack in the cavity. Unplug charger before attempting to clean.

- **DO NOT attempt to charge the battery pack with any chargers other than the ones in this manual.** The charger and battery pack are specifically designed to work together (refer to the battery/charger table in this manual).
- **These chargers are not intended for any uses other than charging DEWALT rechargeable batteries.** Any other uses may result in risk of fire, electric shock or electrocution.
- **Do not expose charger to rain or snow.** Water entering a power tool will increase the risk of electric shock.
- **Pull by plug rather than cord when disconnecting charger.** This will reduce risk of damage to electric plug and cord.
- **Make sure that cord is located so that it will not be stepped on, tripped over, or otherwise subjected to damage or stress.**
- **Do not use an extension cord unless it is absolutely necessary.** Use of improper extension cord could result in risk of fire, electric shock, or electrocution.
- **Do not place any object on top of charger or place the charger on a soft surface that might block the**

ventilation slots and result in excessive internal heat.

Place the charger in a position away from any heat source. The charger is ventilated through slots in the top and the bottom of the housing.

- **Do not operate charger with damaged cord or plug—** have them replaced immediately.
- **Do not operate charger if it has received a sharp blow, been dropped, or otherwise damaged in any way.** Take it to an authorised service centre.
- **Do not disassemble charger; take it to an authorised service centre when service or repair is required.** Incorrect reassembly may result in a risk of electric shock, electrocution or fire.
- **Disconnect the charger from the outlet before attempting any cleaning. This will reduce the risk of electric shock.** Removing the battery pack will not reduce this risk.
- **NEVER attempt to connect two chargers together.**
- **The charger is designed to operate on standard 230V household electrical power. Do not attempt to use it on any other voltage.** This does not apply to the vehicular charger.







Charging a Battery (Fig. B)

1. Plug the charger into an appropriate outlet before inserting battery pack.
2. Insert the battery pack **1** into the charger, making sure the battery pack is fully seated in the charger. The red (charging) light will blink repeatedly indicating that the charging process has started.
3. The completion of charge will be indicated by the red light remaining ON continuously. The battery pack is fully charged and may be used at this time or left in the charger. To remove the battery pack from the charger, push the battery release button **2** on the battery pack.

NOTE: To ensure maximum performance and life of lithium-ion battery packs, charge the battery pack fully before first use.

Charger Operation

Refer to the indicators below for the charge status of the battery pack.

Charge Indicators		
	Charging	
	Fully Charged	
	Hot/Cold Pack Delay*	

*The red light will continue to blink, but a yellow indicator light will be illuminated during this operation. Once the battery pack has reached an appropriate temperature, the yellow light will turn off and the charger will resume the charging procedure. The compatible charger(s) will not charge a faulty battery pack. The charger will indicate faulty battery by refusing to light.

NOTE: This could also mean a problem with a charger.

If the charger indicates a problem, take the charger and battery pack to be tested at an authorised service centre.

Hot/Cold Pack Delay

When the charger detects a battery pack that is too hot or too cold, it automatically starts a Hot/Cold Pack Delay, suspending charging until the battery pack has reached an appropriate temperature. The charger then automatically switches to the pack charging mode. This feature ensures maximum battery pack life.

A cold battery pack will charge at a slower rate than a warm battery pack. The battery pack will charge at that slower rate throughout the entire charging cycle and will not return to maximum charge rate even if the battery pack warms.

The DCB118 charger is equipped with an internal fan designed to cool the battery pack. The fan will turn on automatically when the battery pack needs to be cooled. Never operate the charger if the fan does not operate properly or if ventilation slots are blocked. Do not permit foreign objects to enter the interior of the charger.

Electronic Protection System

XR Li-Ion tools are designed with an Electronic Protection System that will protect the battery pack against overloading, overheating or deep discharge.

The dust extractor will automatically turn off if the Electronic Protection System engages. If this occurs, place the lithium-ion battery pack on the charger until it is fully charged.

Wall Mounting

These chargers are designed to be wall mountable or to sit upright on a table or work surface. If wall mounting, locate the charger within reach of an electrical outlet, and away from a corner or other obstructions which may impede air flow. Use the back of the charger as a template for the location of the mounting screws on the wall. Mount the charger securely using drywall screws (purchased separately) at least 25.4 mm long with a screw head diameter of 7–9 mm, screwed into wood to an optimal depth leaving approximately 5.5 mm of the screw exposed. Align the slots on the back of the charger with the exposed screws and fully engage them in the slots.

Charger Cleaning Instructions



WARNING: Shock hazard. Disconnect the charger from the AC outlet before cleaning. Dirt and grease may be removed from the exterior of the charger using a cloth or soft non-metallic brush. Do not use water or any cleaning solutions. Never let any liquid get inside the tool; never immerse any part of the tool into a liquid.

Battery Packs

Important Safety Instructions for All Battery Packs



WARNING: DEWALT batteries should only be used with DEWALT products.

When ordering replacement battery packs, be sure to include catalogue number and voltage.

The battery pack is not fully charged out of the carton. Before using the battery pack and charger, read the safety instructions below. Then follow charging procedures outlined.

READ ALL INSTRUCTIONS

- **Do not charge or use battery in explosive atmospheres, such as in the presence of flammable liquids, gases or dust.** Inserting or removing the battery from the charger may ignite the dust or fumes.
- **Never force battery pack into charger. Do not modify battery pack in any way to fit into a non-compatible charger as battery pack may rupture causing serious personal injury.**
- Charge the battery packs only in DEWALT chargers.
- **DO NOT splash or immerse in water or other liquids.**
- **Do not store or use the tool and battery pack in locations where the temperature may fall below 4 °C (34 °F) (such as outside sheds or metal buildings in winter), or reach or exceed 40 °C (104 °F) (such as outside sheds or metal buildings in summer).**
- **Do not incinerate the battery pack even if it is severely damaged or is completely worn out.** The battery pack can explode in a fire. Toxic fumes and materials are created when lithium-ion battery packs are burned.
- **If battery contents come into contact with the skin, immediately wash area with mild soap and water.** If battery liquid gets into the eye, rinse water over the open eye for 15 minutes or until irritation ceases. If medical attention is needed, the battery electrolyte is composed of a mixture of liquid organic carbonates and lithium salts.
- **Contents of opened battery cells may cause respiratory irritation.** Provide fresh air. If symptoms persists, seek medical attention.



WARNING: Burn hazard. Battery liquid may be flammable if exposed to spark or flame.



WARNING: Never attempt to open the battery pack for any reason. If battery pack case is cracked or damaged, do not insert into charger. Do not crush, drop or damage battery pack. Do not use a battery pack or charger that has received a sharp blow, been dropped, run over or damaged in any way (i.e., pierced with a nail, hit with a hammer, stepped on). Electric shock or electrocution may result. Damaged battery packs should be returned to service centre for recycling.



WARNING: Fire hazard. Do not store or carry the battery pack so that metal objects can contact exposed battery terminals. For example, do not place the battery pack in aprons, pockets, tool boxes, product kit boxes, drawers, etc., with loose nails, screws, keys, etc.



CAUTION: When not in use, place tool on its side on a stable surface where it will not cause a tripping or falling hazard. Some tools with large battery packs will stand upright on the battery pack but may be easily knocked over.

Transportation



WARNING: Fire hazard. Transporting batteries can possibly cause fire if the battery terminals inadvertently come in contact with conductive materials. When transporting batteries, make sure that the battery terminals are protected and well insulated from materials that could contact them and cause a short circuit.

NOTE: Lithium-ion batteries should not be put in checked baggage.

DeWALT batteries comply with all applicable shipping regulations as prescribed by industry and legal standards which include UN Recommendations on the Transport of Dangerous Goods; International Air Transport Association (IATA) Dangerous Goods Regulations, International Maritime Dangerous Goods (IMDG) Regulations, and the European Agreement Concerning The International Carriage of Dangerous Goods by Road (ADR). Lithium-ion cells and batteries have been tested to section 38.3 of the UN Recommendations on the Transport of Dangerous Goods Manual of Tests and Criteria.

In most instances, shipping a DeWALT battery pack will be excepted from being classified as a fully regulated Class 9 Hazardous Material. In general, only shipments containing a lithium-ion battery with an energy rating greater than 100 Watt Hours (Wh) will require being shipped as fully regulated Class 9. All lithium-ion batteries have the Watt Hour rating marked on the pack. Furthermore, due to regulation complexities, DeWALT does not recommend air shipping lithium-ion battery packs alone regardless of Watt Hour rating. Shipments of tools with batteries (combo kits) can be air shipped as excepted if the Watt Hour rating of the battery pack is no greater than 100 Whr. Regardless of whether a shipment is considered excepted or fully regulated, it is the shipper's responsibility to consult the latest regulations for packaging, labeling/marketing and documentation requirements.

The information provided in this section of the manual is provided in good faith and believed to be accurate at the time the document was created. However, no warranty, expressed or implied, is given. It is the buyer's responsibility to ensure that its activities comply with the applicable regulations.

Transporting the FLEXVOLT™ Battery

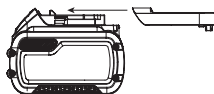
The DeWALT FLEXVOLT® battery has two modes: **Use** and **Transport**.

Use Mode: When the FLEXVOLT™ battery stands alone or is in a DeWALT 18V product, it will operate as an 18V battery. When the FLEXVOLT™ battery is in a 54V or a 108V (two 54V batteries) product, it will operate as a 54V battery.

Transport Mode: When the cap is attached to the FLEXVOLT™ battery, the battery is in Transport mode. Keep the cap for shipping.

When in Transport mode, strings of cells are electrically disconnected within the pack resulting in 3 batteries with a

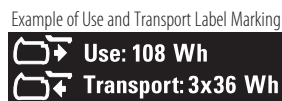
lower Watt hour (Wh) rating as compared to 1 battery with a higher Watt hour rating. This increased quantity of 3 batteries with the lower Watt hour rating can exempt the pack from



certain shipping regulations that are imposed upon the higher Watt hour batteries.

For example, the Transport Wh rating might indicate 3 x 36 Wh, meaning 3 batteries of 36 Wh each.

The Use Wh rating might indicate 108 Wh (1 battery implied).



Storage Recommendations

1. The best storage place is one that is cool and dry away from direct sunlight and excess heat or cold. For optimum battery performance and life, store battery packs at room temperature when not in use.
2. For long storage, it is recommended to store a fully charged battery pack in a cool, dry place out of the charger for optimal results.

NOTE: Battery packs should not be stored completely depleted of charge. The battery pack will need to be recharged before use.

Labels on Charger and Battery Pack

In addition to the pictographs used in this manual, the labels on the charger and the battery pack may show the following pictographs:



Read instruction manual before use.



See **Technical Data** for charging time.



Do not probe with conductive objects.



Do not charge damaged battery packs.



Do not expose to water.



Have defective cords replaced immediately.



Charge only between 4 °C and 40 °C.



Only for indoor use.



Discard the battery pack with due care for the environment.



Charge DeWALT battery packs only with designated DeWALT chargers. Charging battery packs other than the designated DeWALT batteries with a DeWALT charger may make them burst or lead to other dangerous situations.



Do not incinerate the battery pack.



USE (without transport cap). Example: Wh rating indicates 108 Wh (1 battery with 108 Wh).



TRANSPORT (with built-in transport cap). Example: Wh rating indicates 3 x 36 Wh (3 batteries of 36 Wh).

Battery Type

These battery packs may be used: DCB181, DCB182, DCB183, DCB183B, DCB183G, DCB184, DCB184B, DCB184G, DCB185, DCB187, DCB189, DCBP034, DCBP034G, DCBP518, DCBP518G, DCB546, DCB547, DCB547G, DCB548, DCB549. Refer to

Technical Data for more information.

Package Contents

The package contains:

- 1 Universal dust extractor
- 1 Crevice tool
- 1 Suction cup
- 1 Carry strap
- 1 Belt hook
- 1 Stepped dust nozzle adaptor
- 1 Screw
- 1 Charger
- 1 Li-Ion battery pack (C1, D1, E1, G1, H1, L1, M1, P1, Q1, S1, T1, U1, X1, Y1, Z1 models).
- 2 Li-Ion battery packs (C2, D2, E2, G2, H2, L2, M2, P2, Q2, S2, T2, U2, X2, Y2, Z2 models).
- 3 Li-Ion battery packs (C3, D3, E3, G3, H3, L3, M3, P3, Q3, S3, T3, U3, X3, Y3, Z3 models).
- 1 Instruction manual

NOTE: Battery packs, chargers and kitboxes are not included with N models. Battery packs and chargers are not included with NT models. B models include Bluetooth® battery packs.

NOTE: The Bluetooth® word mark and logos are registered trademarks owned by the Bluetooth®, SIG, Inc. and any use of such marks by DEWALT is under license. Other trademarks and trade names are those of their respective owners.

- Check for damage to the dust extractor, parts or accessories which may have occurred during transport.
- Take the time to thoroughly read and understand this manual prior to operation.

Markings on Dust Extractor

The following pictograms are shown on the dust extractor:



Read instruction manual before use.



Date Code Position (Fig. I)

The production date code **17** consists of a 4-digit year followed by a 2-digit week and is extended by a 2-digit factory code.

Description (Fig. A, E, L)



WARNING: Never modify the dust extractor or any part of it. Damage or personal injury could result.

- | | |
|---|---|
| 1 Battery pack | 10 Carry strap |
| 2 Battery release button | 11 Carry strap hooks |
| 3 Dust collection box | 12 Crevice tool |
| 4 Dust collection box release buttons | 13 Suction Cup (Fig. E) |
| 5 Filter cleaning mechanism | 23 Wireless Tool Control™ remote (optional accessory N547456) |
| 6 Dust extractor hose | 25 DEWALT Bluetooth® Tool Tag (optional accessory DCE041) |
| 7 Three position switch | |
| 8 Wireless Tool Control™ pairing button | |
| 9 LED | |

Intended Use

Your DWH161 cordless dust extractor can be used for mobile operation to take up dry, non-combustible dust. Only for indoor use.

DO NOT use under wet conditions or in the presence of flammable liquids or gases.

DO NOT pick up materials that present a risk of explosion, glowing or burning materials, flammable materials, gases or other hazardous substances.

NOTE: This product is NOT to be used for filtering of pathogens, for example Covid-19. Follow all local, state and federal guidance on general cleaning practices.

NOTE: This appliance is suited for professional and commercial use, e.g. in hotels, schools, hospitals, factories, shops, offices, rental companies, and on construction sites.

- This machine is not intended for use by persons (including children) with reduced physical, sensory or mental capabilities, or lack of experience and knowledge.
- Children should be supervised to ensure that they do not play with the appliance.

ASSEMBLY AND ADJUSTMENTS



WARNING: To reduce the risk of serious personal injury, turn the dust extractor off and disconnect battery pack before making any adjustments or removing/installing attachments or accessories. An accidental start-up can cause injury.



WARNING: Use only DEWALT battery packs and chargers.

Inserting and Removing the Battery Pack from the Dust Extractor (Fig. B)

NOTE: Make sure your battery pack **1** is fully charged.

To Install the Battery Pack into the Dust Extractor

1. Align the battery pack **1** with the rails inside the dust extractor (Fig. B).
2. Slide the battery pack in until it is firmly seated in the dust extractor and ensure that you hear the lock snap into place.

To Remove the Battery Pack from the Dust Extractor

1. Press the battery release button **2** and firmly pull the battery pack out of the dust extractor.
2. Insert battery pack into the charger as described in the charger section of this manual.

Fuel Gauge Battery Packs (Fig. B)

Some DeWALT battery packs include a fuel gauge which consists of three green LED lights that indicate the level of charge remaining in the battery pack.

To actuate the fuel gauge, press and hold the fuel gauge button **14**. A combination of the three green LED lights will illuminate designating the level of charge left. When the level of charge in the battery is below the usable limit, the fuel gauge will not illuminate and the battery will need to be recharged.

NOTE: The fuel gauge is only an indication of the charge left on the battery pack. It does not indicate tool functionality and is subject to variation based on product components, temperature and end-user application.

Attaching the Carry Strap (Fig. C)

Your dust extraction system comes with a carry strap **10** that can be connected to the carry strap hooks **11** in either manner as shown in Fig. C.

Attaching the Crevice Tool (Fig. A)

- To attach the crevice tool **12** to the dust extractor hose **6**, insert the end of the dust extractor hose into the open end of the accessory with a twisting motion until tight.

NOTE: The dust extraction hose is not compatible with AirLock® connectors.

- To remove the crevice tool, hold the dust extraction hose and pull the accessory off using a twisting motion.

Installing the Belt Hook (Fig. K)

WARNING: To reduce the risk of serious personal injury, turn the dust extractor off and disconnect battery pack before making any adjustments or removing/installing attachments or accessories. An accidental start-up can cause injury.

WARNING: To reduce the risk of serious personal injury, ONLY use the tool's belt hook to hang the dust extractor from a work belt. DO NOT use the belt hook for tethering or securing the dust extractor to a person or object during use. DO NOT suspend dust extractor overhead or suspend objects from the belt hook.

WARNING: To reduce the risk of serious personal injury, ensure the screw holding the belt hook is secure.

IMPORTANT: When attaching or replacing the belt hook **20**, use only the screw **16** that is provided. Be sure to securely tighten the screw.

If the hook is not desired at all, it can be removed from the dust extractor.

Attaching the Suction Cup to the Dust Extractor (Fig. E)

WARNING: Use this attachment only with DeWALT recommended dust extractors. For more information about DeWALT dust extractors compatible with this attachment, please contact your local dealer or visit www.dewalt.com.

Push dust extractor hose **6** into the connection point **15** until tight.

Attaching the Suction Cup to a Vertical or Horizontal Surface (Fig. F, G)

The suction cup **13** can be fixed into place on a vertical or horizontal surface.

1. With the suction cup securely connected to the dust extractor, turn the dust extractor on.
2. Place the suction cup onto the floor or wall and press firmly to engage the cup to the surface.

Removing the Suction Cup from a Surface

WARNING: DO NOT turn off the dust extractor before removing the suction cup from the surface as instructed. Turning off the dust extractor before removing the suction cup will result in the suction cup falling from the surface which could cause injury.

To remove the suction cup **13** from the surface to which it is attached, pry the lip away using your hand. Do not remove by pulling on the hose.

Replacing the Button Cell Battery in the optional Remote Control N547456 (Fig. L)

WARNING: DO NOT INGEST BATTERY; CHEMICAL BURN HAZARD. This product contains a coin / button cell battery. If the coin / button cell battery is swallowed, it can cause severe internal burns in just 2 hours and can lead to death.

WARNING: KEEP NEW AND USED BATTERIES AWAY FROM CHILDREN. If the battery compartment does not close securely, stop using the product and keep it away from children. If you think batteries might have been swallowed or placed inside any part of the body, seek immediate medical attention.

WARNING: WHEN REPLACING BATTERY, REPLACE IT WITH THE SAME OR EQUIVALENT TYPE CR2032. Observe correct polarity (+ and -) when replacing batteries. Do not store or carry batteries so that metal objects can contact exposed battery terminals.

WARNING: ENSURE THAT COIN CELL REPLACEMENT IS CARRIED OUT PROPERLY. There is a risk of explosion.

- When replacing battery, replace it with the same or equivalent type CR2032. Do not use any other coin cells or other forms of electrical power supply.
- DO NOT attempt to recharge the coin cell battery and do not short circuit the coin cell battery. The coin cell battery may leak, explode, catch fire and cause personal injury.

- **DO NOT overheat the coin cell or throw it into fire.** The coin cell may leak, explode, catch fire and cause personal injury.
 - **DO NOT damage the coin cell and do not disassemble the coin cell.** The coin cell may leak, explode, catch fire and cause personal injury.
 - **DO NOT allow damaged coin cells to come into contact with water.** Leaking lithium may mix with water to create hydrogen, which could cause a fire, an explosion, or personal injury.
 - **DO NOT dispose of the button cell battery with normal household waste.** Contact your local waste disposal department to dispose of the device/batteries in accordance with applicable local laws and regulations.
 - **Remove and dispose of drained coin cell correctly.** Drained coin cell may leak and damage the product or cause personal injury.
1. To open the housing remove the 4 screws **21** from the rear panel with a T10 torx screwdriver.
 2. Pull out sideways the discharged coin cell battery from the battery holder.
 3. Insert sideways the new coin cell battery **22** into the battery holder, and pay attention to the orientation of the battery in terms of polarity.
 4. Replace the back cover, insert the screws and tighten.

OPERATION

Instructions for Use



WARNING: Always observe the safety instructions and applicable regulations.



WARNING: To reduce the risk of serious personal injury, turn the dust extractor off and disconnect battery pack before making any adjustments or removing/installing attachments or accessories. An accidental start-up can cause injury.

Proper Hand Position (Fig. D, F)



WARNING: To reduce the risk of serious personal injury, ALWAYS use proper hand position as shown.



WARNING: To reduce the risk of serious personal injury, ALWAYS hold securely in anticipation of a sudden reaction.

If used as a stand-alone dust extractor, proper hand position requires one hand on the accessory.

Using the Dust Extractor (Fig. A, E, L)

- Before using the universal dust extractor, ensure that the filter is in place and filter box is securely fitted.
 - Do not use damaged filters. Replace any damaged filters immediately.
 - Please observe national applicable regulations/laws on how to handle harmful types of dust in your country.
1. Attach the appropriate accessory to the dust extractor hose **6**.
 2. Insert the battery pack **1**.

3. To turn dust extractor on, press the three position switch **7** to the On (I) position or press the button **24** once on the connected remote. Each click will let the dust extractor change the status between on and off.
4. To use in Wireless Tool Control™ mode press the three position switch to the Wireless Tool Control™ **8** position. Once paired the trigger of the connected tool or the button **24** of the remote will control the dust extractor.

NOTE: Refer to **Pairing the Dust Extractor with a Tool using Wireless Tool Control™ Mode** to use the dust extractor with a Wireless Tool Control™ equipped tool.
5. When finished, turn the dust extractor off by pressing the three position switch to the Off (O) position or releasing the trigger of the Wireless Tool Control™ equipped tool. Pressing the button **24** once on the connected remote can also turn off the dust extractor.

Pairing the Dust Extractor with a Tool Using Wireless Tool Control™ Mode (Fig. A, H, L)



CAUTION: When the dust extractor is being controlled by a paired power tool or remote it may start or stop without warning.

To Pair with a DEWALT Remote or Wireless Tool Control™ Tool

1. Press the three position switch **7** to the Wireless Tool Control™ **8** position.
2. Press and hold the Wireless Tool Control™ pairing button **8** on the DWH161 and pull the trigger on the Wireless Tool Control™ equipped tool or press the button **24** on the remote (Fig. L, item **23** *optional accessory) at the same time.
3. The LED **9** will be steadily illuminated to indicate a successful pairing.

NOTE: Only one transmitter can be paired to the DWH161 at a time. If the unit is already paired the previous transmitter will be overridden.

To Unpair with a Wireless Tool Control™ Tool

- Press and hold the Wireless Tool Control™ pairing button **8** on the DWH161 and pull the trigger on the Wireless Tool Control™ equipped tool or press the button on the remote (Fig. L, item **23** *optional accessory) at the same time.
- The LED **9** will flash slowly to indicate a successful unpairing.

LED FLASH PATTERN

In pairing mode	— — — — —
No device is paired	— — — — —
Device is successfully paired	—————

Filter Cleaning Mechanism

Suction power is dependent on the condition of the filter. Therefore, the filter should be cleaned regularly.

The filter cleaning mechanism is a feature that uses the motor in the dust extractor to force air through the filter. Refer to **Emptying the Dust Collection Box** for instructions on proper use.

Emptying the Dust Collection Box (Fig. I, J)



WARNING: The vacuum cleaner contains dust particles that pose a risk to health. Emptying and maintenance procedures, including the disposal of dust collectors, should only be carried out by professionals. Suitable protective equipment is required. Do not operate the vacuum cleaner without the complete filter system. Otherwise you endanger your health.



WARNING: Wear approved eye protection and approved dust mask when performing this procedure.



CAUTION: Do not clean with water or compressed air.

The dust collection box **3** should be emptied as soon as the performance has noticeably decreased or is full.

1. Press the dust collection box release buttons **4** and pull the dust collection box away from the dust extraction system. Once the catch mechanism is clear of the dust extraction system the upper joint will also release allowing the dust collection box to be removed completely.
2. To empty the dust collection box **3** position it over a suitable container to catch the dust contained within it. Lift up the assembly release latch **18** to open the dust collection box, separating the canister from the lid. Gently tapping the dust collection box will encourage any dust trapped within the filter to also be removed. Once the filter lid and canister are empty reattach them, ensuring the assembly release latch **18** is securely fastened. Refer to Figure J.
3. To reattach the dust collection box to the dust extraction system first insert the rounded profile of the upper joint into the recess on the dust extraction system. Pivot the dust collection box down so that the release buttons click back into place. Refer to Figure I.
4. With the dust collection box properly installed, depress the filter cleaning mechanism **5** and turn on the dust extractor. Allow the system to run for 5 seconds and release trigger. This should be done after every emptying of the dust collection box.

Transporting the Dust Extractor



WARNING: Accidental start-up during transport could be hazardous. Always transport the dust extractor with the batteries removed. Refer to the **Battery Packs, Transportation** section of this manual for further information.



WARNING: Check the tool and batteries for damage after transport and before use.

Storing the Dust Extractor



WARNING:

- a) Empty the dust collection box before storing the dust extractor.
- b) Always store your dust extractor with the batteries removed!
- c) Store the tool and batteries in a place that is as cool and dry as possible.

- d) Store the tool and batteries in a place that cannot be accessed by children or unauthorised persons.
- e) Check the tool and batteries for damage after long periods of storage.
- f) Refer to the **Battery Packs, Transportation** section of this manual for further information.

MAINTENANCE



WARNING: To reduce the risk of serious personal injury, turn the dust extractor off and disconnect battery pack before making any adjustments or removing/installing attachments or accessories. An accidental start-up can cause injury.

The charger and battery pack are not serviceable.

NOTE: Cleaning and user maintenance shall not be made by children.

Replacing the Dust Collection Box Filter

Assembly (Fig. I, J)



WARNING: Wear approved eye protection and approved dust mask when performing this procedure.



WARNING: Replace any damaged filters immediately.

NOTE: The filter should be replaced after every 350 full to empty filter box emptying cycles.

1. Press the dust collection box release buttons **4** and pull the dust collection box away from the dust extraction system. Once the catch mechanism is clear of the dust extraction system the upper joint will also release allowing the dust collection box to be removed completely.
2. Discard dust collection box **3** and replace with a new filter box.
3. Reattach the dust collection box to the dust extraction system. First insert the rounded profile of the upper joint into the recess on the dust extraction system. Pivot the dust collection box down so that the release buttons click back into place.

Lubrication

Your dust extractor requires no additional lubrication.

Cleaning



WARNING: Do not use a spray system, pressure jet washer or running water for cleaning.



WARNING: Wear approved eye protection and approved dust mask when performing this procedure.



WARNING: Do not use a brush or compressed air to clean the dust collector or filter.



WARNING: Never use solvents or other harsh chemicals for cleaning the non-metallic parts of the dust extractor. These chemicals may weaken the materials used in these parts. Use a cloth dampened only with water and mild soap. Never let any liquid get inside the dust extractor; never immerse any part of the dust extractor into a liquid.

During intensive use the dust collector becomes clogged with dust. Refer to **Replacing The Dust Collection Box Filter Assembly**, under **Maintenance**.

For cleaning and maintenance in a way that avoids exposing maintenance personnel and other persons to any hazards, wear personal protective equipment. Clean the maintenance area in a way that prevents hazardous substances from escaping into the surrounding environment.

Optional Accessories



WARNING: *Since accessories, other than those offered by DEWALT, have not been tested with this product, use of such accessories with this dust extractor could be hazardous. To reduce the risk of injury, only DEWALT recommended accessories should be used with this product.*

The replacement filter (N703592) is available as an accessory at additional cost.

Wireless Tool Control™ remote (optional accessory N547456). Consult your dealer for further information on the appropriate accessories.

DEWALT Bluetooth® Tool Tag Ready (Fig. K)

Optional Accessory



WARNING: *Read instruction manual for the DEWALT Bluetooth® Tool Tag.*



WARNING: *Turn dust extractor off and disconnect battery pack before installing the DEWALT Bluetooth® Tool Tag.*



WARNING: *When installing or replacing the DEWALT Bluetooth® Tool Tag, use only the screws provided. Be sure to securely tighten the screws.*

Your dust extractor comes with mounting holes **19** for installing a DEWALT Bluetooth® Tool Tag (DCE041*optional accessory) **25**. Use only the original fasteners included with the tool tag. You will need a T15 (Torx) bit tip to install the tag. The DEWALT Bluetooth® Tool Tag is designed for tracking and locating professional power tools, equipment, and machines using the DEWALT Tool Connect™ app. For proper installation of the DEWALT Bluetooth® Tool Tag refer to the DEWALT Bluetooth® Tool Tag manual.

Protecting the Environment



Separate collection. Products and batteries marked with this symbol must not be disposed of with normal household waste.

Products and batteries contain materials that can be recovered or recycled reducing the demand for raw materials. Please recycle electrical products and batteries according to local provisions. Further information is available at www.2helpU.com.

Rechargeable Battery Pack

This long-life battery pack must be recharged when it fails to produce sufficient power on jobs which were easily done before. At the end of its technical life, discard it with due care for our environment:

- Run the battery pack down completely, then remove it from the dust extractor.
- Li-Ion cells are recyclable. Take them to your dealer or a local recycling station. The collected battery packs will be recycled or disposed of properly.

Belgique et Luxembourg België en Luxemburg	DeWALT - Belgium BVBA Egide Walschaertsstraat 16 2800 Mechelen	Tel: NL 32 15 47 37 63 Tel: FR 32 15 47 37 64 Fax: 32 15 47 37 99	www.dewalt.be enduserv.BE@sbdinc.com
Danmark	DeWALT (Stanley Black&Decker AS) Roskildevej 22 2620 Albertslund	Tel: 70 20 15 10 Fax: 70 22 49 10	www.dewalt.dk kundeservice.dk@sbdinc.com
Deutschland	DeWALT Richard-Klinger-Str. 11 65510 Idstein	Tel: 06126-21-0 Fax: 06126-21-2770	www.dewalt.de infodwge@sbdinc.com
Ελλάς	DeWALT (ΕΜΔΑ) Α.Ε. ΕΑΡΑ-ΓΡΑΦΕΙΑ : Στραβόβουος 7 & Α. Βουλιαγωγμένης, Γλυφάδα 166 74, Αθήνα SERVICE : Ημέρος Τόπος 2 (Χάιν Αδών) — 193 00 Ασπρόπυργος	Τηλ: 00302108981616 Φαξ: 00302108983570	www.dewalt.gr Greece.Service@sbdinc.com
España	DeWALT Ibérica, S.C.A. Parc de Negocios "Mas Blau" Edificio Muntadas, c/Bergadà, 1, Of. A6 08820 El Prat de Llobregat (Barcelona)	Tel: 934 797 400 Fax: 934 797 419	www.dewalt.es respuesta.postventa@sbdinc.com
France	DeWALT (Stanley Black & Decker France SAS) 62 Chemin de la Bruyère 69570 Dardilly, France	Tel: 04 72 20 39 20 Fax: 04 72 20 39 00	www.dewalt.fr scufre@sbdinc.com
Schweiz Suisse Svizzera	DeWALT In der Luberzen 42 8902 Udorf	Tel: 044 - 755 60 70 Fax: 044 - 730 70 67	www.dewalt.ch service@rofoag.ch
Ireland	DeWALT Building 4500, Kinsale Road Cork Airport Business Park Cork, Ireland	Tel: 00353-2781800 Fax: 01278 1811	www.dewalt.ie Sales.ireland@sbdinc.com
Italia	DeWALT via Energypark 6 20871 Vimercate (MB), IT	Tel: 800-014353 39 039-9590200 Fax: 39 039-9590311	www.dewalt.it
Nederlands	DeWALT Netherlands BVPostbus 83, 6120 AB BORN	Tel: 31 164 283 063 Fax: 31 164 283 200	www.dewalt.nl
Norge	DeWALT Postboks 4613 0405 Oslo, Norge	Tel: 45 25 13 00 Fax: 45 25 08 00	www.dewalt.no kundeservice.no@sbdinc.com
Österreich	DeWALT Werkzeug Vertriebsges m.b.H Oberlaerstrasse 248, A-1230 Wien	Tel: 01 - 66116 - 0 Fax: 01 - 66116 - 614	www.dewalt.at service.austria@sbdinc.com
Portugal	DeWALT Ed. D Dinis, Quina da Fonte Rua dos Malhoes 2 - 2A 2º Esq. Oeiras e S. Juliao da Barra, paço de Arcos e Caxias 2770 071 Paço de Arcos	Tel: +351 214667500 Fax: +351214667580	www.dewalt.pt resposta.posvenda@sbdinc.com
Suomi	DeWALT PL47 00521 Helsinki, Suomi	Puh: 010 400 4333 Faksi: 0800 411 340	www.dewalt.fi asiakaspalvelu.fi@sbdinc.com
Sverige	DeWALT BOX 94 43122 Mölndal Sverige	Tel: 031 68 61 60 Fax: 031 68 60 08	www.dewalt.se kundservice.se@sbdinc.com
Türkiye	Sanayi ve Ticaret Bakanlığı tebliğince kullanım ömrü 7 yıldır. Stanley Black & Decker Turkey Alet Üretim San. Tic. Ltd.Şti. AND Kozyatağı - İçerenköy Mah. Umur Sok. AND Ofis Sit. No: 10-12 / 82-83-84 Ataşehir/İstanbul, Türkiye	Tel: +90 216 665 2900 Faks: +90 216 665 2901	www.dewalt.com.tr support@dewalt.com.tr
United Kingdom	DeWALT, 270 Bath Road; Slough, Berks SL1 4DX	Tel: 01753-567055 Fax: 01753-572112	www.dewalt.co.uk emeaservice@sbdinc.com
Australia / New Zealand	DeWALT 810 Whitehorse Road Box Hill VIC 3128 Australia	Tel: Aust 1800 654 155 Tel: NZ 0800 339 258	www.dewalt.com.au www.dewalt.co.nz
Middle East Africa	DeWALT P.O. Box - 17164, Jebel Ali Free Zone (South), Dubai, UAE	Tel: 971 4 812 7400 Fax: 971 4 2822765	www.dewalt.ae support@dewalt.ae