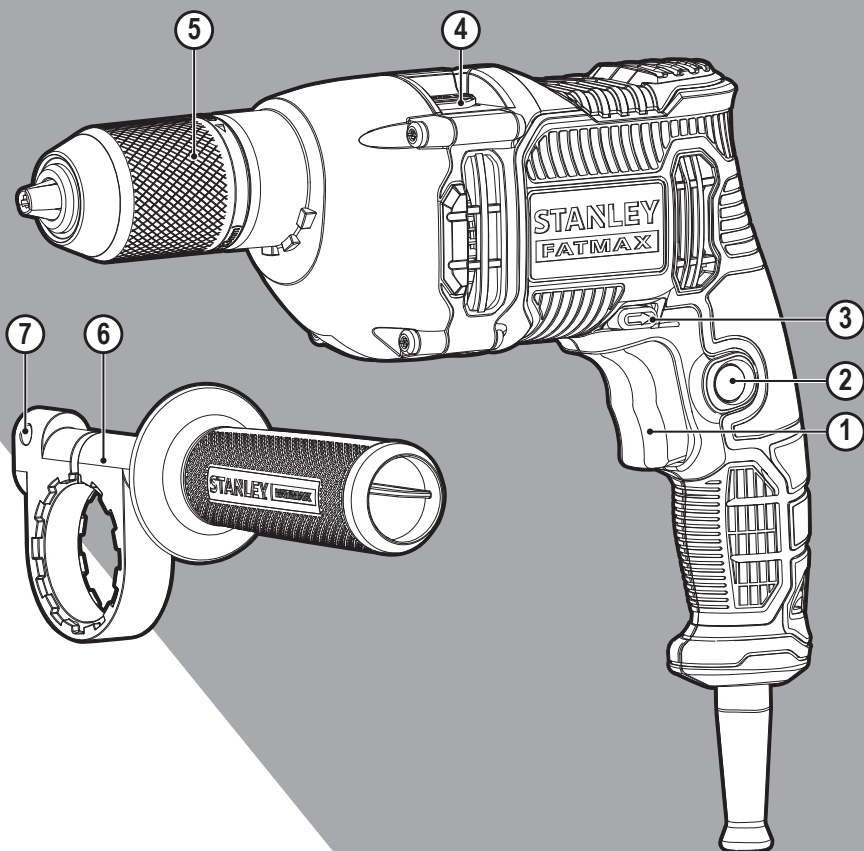


STANLEY[®]

FATMAX[®]



www.stanley.eu

FMEH750

EN

DE

FR

IT

NL

ES

PT

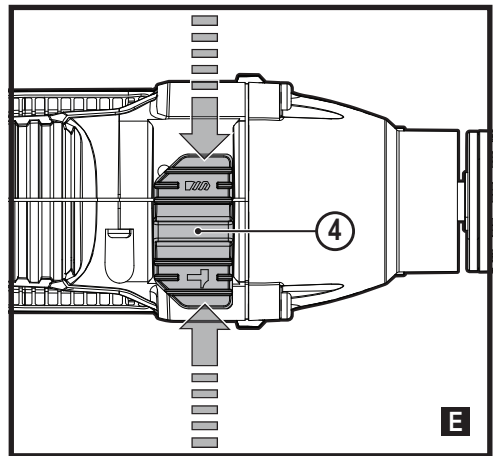
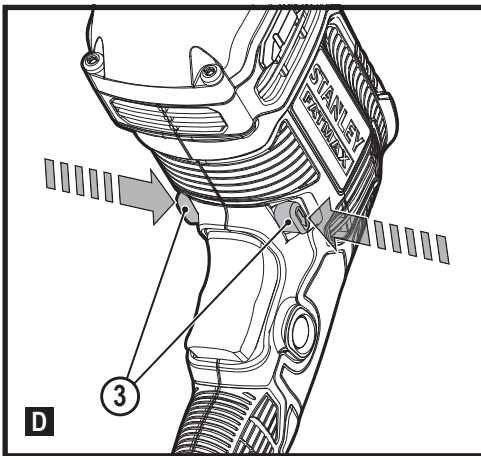
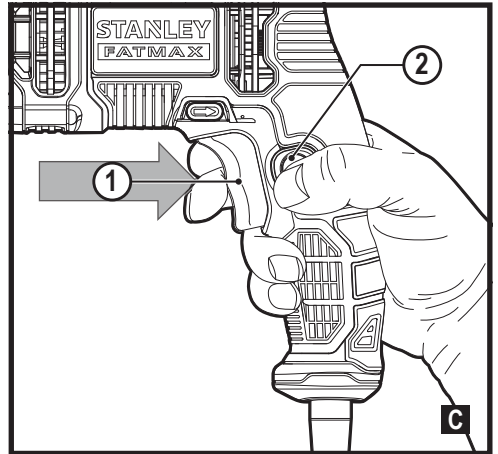
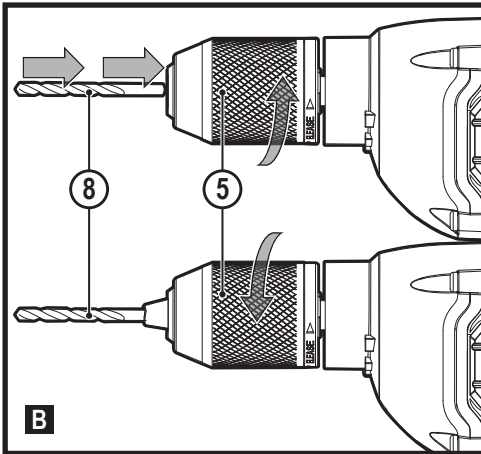
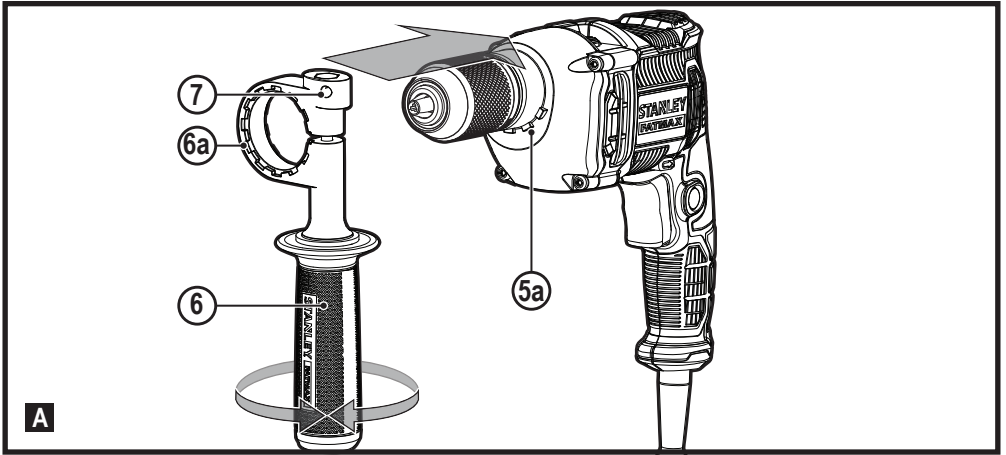
SV

NO

DK

FI

EL



Intended use

Your Stanley Fat Max, FMEH750 Impact drill has been designed for drilling in wood, metal, plastics, and masonry as well as for screwdriving applications. These tools are intended for professional and private, non professional users.

Safety instructions

General power tool safety warnings



Warning! Read all safety warnings and all instructions. Failure to follow the warnings and instructions listed below may result in electric shock, fire and/or serious injury.

Save all warnings and instructions for future reference.

The term "power tool" in the warnings refers to your mains operated (corded) power tool or battery operated (cordless) power tool.

1. Work area safety

- Keep work area clean and well lit.** Cluttered or dark areas invite accidents.
- Do not operate power tools in explosive atmospheres, such as in the presence of flammable liquids, gases or dust.** Power tools create sparks which may ignite the dust or fumes.
- Keep children and bystanders away while operating a power tool.** Distractions can cause you to lose control.

2. Electrical safety

- Power tool plugs must match the outlet. Never modify the plug in any way.** Do not use any adapter plugs with earthed (grounded) power tools. Unmodified plugs and matching outlets will reduce risk of electric shock.
- Avoid body contact with earthed or grounded surfaces such as pipes, radiators, ranges and refrigerators.** There is an increased risk of electric shock if your body is earthed or grounded.
- Do not expose power tools to rain or wet conditions.** Water entering a power tool will increase the risk of electric shock.
- Do not abuse the cord. Never use the cord for carrying, pulling or unplugging the power tool. Keep cord away from heat, oil, sharp edges or moving parts.** Damaged or entangled cords increase the risk of electric shock.
- When operating a power tool outdoors, use an extension cord suitable for outdoor use.** Use of a cord suitable for outdoor use reduces the risk of electric shock.
- If operating a power tool in a damp location is unavoidable, use a residual current device (RCD)**

protected supply. Use of an RCD reduces the risk of electric shock.

3. Personal safety

- Stay alert, watch what you are doing and use common sense when operating a power tool. Do not use a power tool while you are tired or under the influence of drugs, alcohol or medication.** A moment of inattention while operating power tools may result in serious personal injury.
 - Use personal protective equipment. Always wear eye protection.** Protective equipment such as dust mask, non-skid safety shoes, hard hat, or hearing protection used for appropriate conditions will reduce personal injuries.
 - Prevent unintentional starting. Ensure the switch is in the off-position before connecting to power source and/or battery pack, picking up or carrying the tool.** Carrying power tools with your finger on the switch or energising power tools that have the switch on invites accidents.
 - Remove any adjusting key or wrench before turning the power tool on.** A wrench or a key left attached to a rotating part of the power tool may result in personal injury.
 - Do not overreach. Keep proper footing and balance at all times.** This enables better control of the power tool in unexpected situations.
 - Dress properly. Do not wear loose clothing or jewellery. Keep your hair, clothing and gloves away from moving parts.** Loose clothes, jewellery or long hair can be caught in moving parts.
 - If devices are provided for the connection of dust extraction and collection facilities, ensure these are connected and properly used.** Use of dust collection can reduce dust-related hazards.
- #### 4. Power tool use and care
- Do not force the power tool. Use the correct power tool for your application.** The correct power tool will do the job better and safer at the rate for which it was designed.
 - Do not use the power tool if the switch does not turn it on and off.** Any power tool that cannot be controlled with the switch is dangerous and must be repaired.
 - Disconnect the plug from the power source and/or the battery pack from the power tool before making any adjustments, changing accessories, or storing power tools.** Such preventive safety measures reduce the risk of starting the power tool accidentally.
 - Store idle power tools out of the reach of children and do not allow persons unfamiliar with the power tool or these instructions to operate the power tool.** Power tools are dangerous in the hands of untrained users.

- e. **Maintain power tools. Check for misalignment or binding of moving parts, breakage of parts and any other condition that may affect the power tools operation. If damaged, have the power tool repaired before use.** Many accidents are caused by poorly maintained power tools.
- f. **Keep cutting tools sharp and clean.** Properly maintained cutting tools with sharp cutting edges are less likely to bind and are easier to control.
- g. **Use the power tool, accessories and tool bits etc. in accordance with these instructions, taking into account the working conditions and the work to be performed.** Use of the power tool for operations different from those intended could result in a hazardous situation.

5. Service

- a. **Have your power tool serviced by a qualified repair person using only identical replacement parts.** This will ensure that the safety of the power tool is maintained.

Additional power tool safety warnings



Warning! Additional safety warnings for drills and impact drills.

- ◆ **Wear ear protectors with impact drills.** Exposure to noise can cause hearing loss.
- ◆ **Use auxiliary handles supplied with the tool.** Loss of control can cause personal injury.
- ◆ **Hold power tool by insulated gripping surfaces when performing an operation where the cutting accessory may contact hidden wiring.** Cutting accessory contacting a "live" wire may make exposed metal parts of the power tool "live" and could give the operator an electric shock.
- ◆ **Never use a chisel accessory in rotary mode.** The accessory will bind in the material and rotate the drill.
- ◆ **Use clamps or another practical way to secure and support the workpiece to a stable platform.** Holding the work by hand or against your body leaves it unstable and may lead to loss of control.
- ◆ **Before drilling into walls, floors or ceilings, check for the location of wiring and pipes.**
- ◆ **Avoid touching the tip of a drill bit just after drilling, as it may be hot.**
- ◆ **This tool is not intended for use by persons (including children) with reduced physical, sensory or mental capabilities, or lack of experience and knowledge, unless they have been given supervision or instruction concerning use of the appliance by a person responsible for their safety.** Children should be supervised to ensure that they do not play with the appliance.
- ◆ **The intended use is described in this instruction manual.** The use of any accessory or attachment or

performance of any operation with this tool other than those recommended in this instruction manual may present a risk of personal injury and/or damage to property.

- ◆ **Use a face or dust mask whenever the operations may produce dust or flying particles.**

Safety of others

- ◆ This appliance is not intended for use by persons (including children) with reduced physical, sensory or mental capabilities, or lack of experience and knowledge, unless they have been given supervision or instruction concerning use of the appliance by a person responsible for their safety.
- ◆ Children should be supervised to ensure that they do not play with the appliance.

Residual risks

Additional residual risks may arise when using the tool which may not be included in the enclosed safety warnings. These risks can arise from misuse, prolonged use etc.

Even with the application of the relevant safety regulations and the implementation of safety devices, certain residual risks can not be avoided. These include:

- ◆ Injuries caused by touching any rotating/moving parts.
- ◆ Injuries caused when changing any parts, blades or accessories.
- ◆ Injuries caused by prolonged use of a tool. When using any tool for prolonged periods ensure you take regular breaks.
- ◆ Impairment of hearing.
- ◆ Health hazards caused by breathing dust developed when using your tool (example:- working with wood, especially oak, beech and MDF.)

Vibration

The declared vibration emission values stated in the technical data and the declaration of conformity have been measured in accordance with a standard test method provided by EN 60745 and may be used for comparing one tool with another. The declared vibration emission value may also be used in a preliminary assessment of exposure.

Warning! The vibration emission value during actual use of the power tool can differ from the declared value depending on the ways in which the tool is used. The vibration level may increase above the level stated.

When assessing vibration exposure to determine safety measures required by 2002/44/EC to protect persons regularly using power tools in employment, an estimation of vibration exposure should consider, the actual conditions of use and the way the tool is used, including taking account of all parts of the operating cycle such as the times when the tool is switched off and when it is running idle in addition to the trigger time.

Labels on tool

The following pictograms are shown on the tool along with the date code:



Warning! To reduce the risk of injury, the user must read the instruction manual.



Wear ear protectors with Impact drills. Exposure to noise can cause hearing loss

Electrical safety



This tool is double insulated; therefore no earth wire is required. Always check that the power supply corresponds to the voltage on the rating plate.

- ◆ If the supply cord is damaged, it must be replaced by the manufacturer or an authorised Stanley FatMax Service Centre in order to avoid a hazard.

Features

This tool includes some or all of the following features.

1. Variable speed switch
2. Lock on button
3. Forward/reverse switch
4. Drilling mode selector
5. Twin sleeve Chuck
6. Side handle
7. Depth gauge hole

Assembly

Warning! Before assembly, make sure that the tool is switched off and unplugged.

Fitting the side handle and depth stop (fig. A)

- ◆ Turn the grip counterclockwise until you can slide the side handle (6) onto the front of the tool.
- ◆ Rotate the side handle into the desired position ensuring that the notches (6a) engage with the notches on the tool (5a).
- ◆ To release and turn, slide the handle forward to adjust and then make sure it is re-engaged with the notches for use.
- ◆ Insert the depth gauge (not supplied) into the mounting hole (7) as shown.
- ◆ Set the drilling depth as described below.
- ◆ Tighten the side handle by turning the grip clockwise.

Setting the drilling depth (fig. A)

- ◆ Slacken the side handle (6) by turning the grip counterclockwise.
- ◆ Set the depth gauge (not supplied) to the desired position. The maximum drilling depth is equal to the distance between the tip of the drill bit and the front end of the depth gauge.

- ◆ Tighten the side handle by turning the grip clockwise.

Fitting an accessory (fig. B)

- ◆ Open the chuck by turning the sleeve (5) counterclockwise.
- ◆ Insert the bit shaft (8) into the chuck.
- ◆ Tighten the chuck by turning the sleeve clockwise.

Use

Warning! Let the tool work at its own pace. Do not overload.

Warning! Before drilling into walls, floors or ceilings, check for the location of wiring and pipes.

Switching on and off (fig. C)

- ◆ To switch the tool on, press the variable speed switch (1). The tool speed depends on how far you press the switch.
- ◆ For continuous operation, press the lock-on button (2) and release the variable speed switch. This option does not work in reverse rotation.
- ◆ To switch the tool off, release the variable speed switch. To switch the tool off when in continuous operation, press the variable speed switch once more and release it.

Selecting the direction of rotation (fig. D)

For drilling and tightening screws, use forward (clockwise) rotation. For loosening screws or removing a jammed drill bit, use reverse (counterclockwise) rotation.

- ◆ To select forward rotation, push the forward/reverse slider (3) to the left.
- ◆ To select reverse rotation, push the forward/reverse slider to the right.

Warning! Never change the direction of rotation while the motor is running.

Selecting the drilling mode (fig. E)

- ◆ For impact drilling in masonry and concrete, set the drilling mode selector (4) to the **T** position.
- ◆ For drilling in steel, wood and plastics or for screw driving set the operating mode selector (4) to the **1** position.

Accessories

The performance of your tool depends on the accessory used. Stanley Fat Max accessories are engineered to high quality standards and designed to enhance the performance of your tool. By using these accessories you will get the very best from your tool.

Maintenance

Your Stanley Fat Max corded/cordless appliance/tool has been designed to operate over a long period of time with a minimum of maintenance. Continuous satisfactory operation depends upon proper tool care and regular cleaning.

- ◆ Switch off and unplug the appliance/tool.

- ◆ Or switch off and remove the battery from the appliance/tool if the appliance/tool has a separate battery pack.
- ◆ Or run the battery down completely if it is integral and then switch off.
- ◆ Unplug the charger before cleaning it. Your charger does not require any maintenance apart from regular cleaning.
- ◆ Regularly clean the ventilation slots in your appliance/tool/charger using a soft brush or dry cloth.
- ◆ Regularly clean the motor housing using a damp cloth. Do not use any abrasive or solvent-based cleaner.
- ◆ Regularly open the chuck and tap it to remove any dust from the interior (when fitted).

Mains plug replacement (U.K. & Ireland only)

If a new mains plug needs to be fitted:

- ◆ Safely dispose of the old plug.
- ◆ Connect the brown lead to the live terminal in the new plug.
- ◆ Connect the blue lead to the neutral terminal.

Warning! No connection is to be made to the earth terminal. Follow the fitting instructions supplied with good quality plugs. Recommended fuse: 5 A.



Protecting the environment

Separate collection. Products and batteries marked with this symbol must not be disposed of with normal household waste.

Products and batteries contain materials that can be recovered or recycled reducing the demand for raw materials. Please recycle electrical products and batteries according to local provisions.

Further information is available at www.2helpU.com

Technical data

FMEH750 (Type 1)		
Input voltage	V_{AC}	230
No-load speed	min^{-1}	0 ~ 3200
Impact rate	min^{-1}	0 ~ 54400
Weight	kg	1.95
Max. drilling capacity		
Concrete	mm	16
Steel	mm	13
Wood	mm	32

Level of sound pressure according to EN 60745:	
Sound pressure (L_{pA})	101 dB(A), uncertainty (K) 3 dB(A)
Sound power (L_{WA})	112 dB(A), uncertainty (K) 3 dB(A)

Vibration total values (triax vector sum) according to EN 60745:	
Impact drilling into concrete ($a_{h,d}$)	14,6 m/s^2 , uncertainty (K) 1,5 m/s^2
Drilling into metal ($a_{h,d}$)	3,8 m/s^2 , uncertainty (K) 1,5 m/s^2

EC declaration of conformity

MACHINERY DIRECTIVE



FMEH750 Impact drill

Stanley Europe declares that these products described under "technical data" are in compliance with:
EN60745-1:2009+A11:2010, EN60745-2-1:2010.

These products also comply with directive 2014/30/EU, 2006/42/EC and 2011/65/EU.

For more information, please contact Black & Decker at the following address or refer to the back of the manual.

The undersigned is responsible for compilation of the technical file and makes this declaration on behalf of Stanley FatMax.

R. Laverick
Director of Engineering
Stanley Europe, Egide Walschaertsstraat14-18,
2800 Mechelen, Belgium
19/02/2018

Guarantee

Stanley Fat Max is confident of the quality of its products and offers consumers a 12 month guarantee from the date of purchase. This guarantee is in addition to and in no way prejudices your statutory rights. The guarantee is valid within the territories of the Member States of the European Union and the European Free Trade Area.

To claim on the guarantee, the claim must be in accordance with Stanley Fat Max Terms and Conditions and you will need to submit proof of purchase to the seller or an authorised repair agent. Terms and conditions of the Stanley Fat Max 1 year guarantee and the location of your nearest authorised repair agent can be obtained on the Internet at www.2helpU.com, or by contacting your local Stanley Fat Max office at the address indicated in this manual.

Please visit our website www.stanley.eu/3 to register your new Stanley Fat Max product and receive updates on new products and special offers.

Verwendungszweck

Ihr Stanley FatMax Schlagbohrer FMEH750 wurde zum Bohren in Holz, Metall, Kunststoff und Mauerwerk sowie für Schraubanwendungen entwickelt. Diese Werkzeuge sind für professionelle sowie für private, nicht professionelle Benutzer vorgesehen.

Allgemeine Sicherheitshinweise für Elektrowerkzeuge



Warnung! Lesen Sie alle Sicherheitswarnhinweise und alle Anweisungen. Das Nichtbeachten der nachfolgenden Warnhinweisen und Anweisungen kann zu elektrischem Schlag, Brand und/oder schweren Verletzungen führen.

Bewahren Sie alle Warnhinweise und alle Anweisungen auf. Der Begriff „Elektrowerkzeug“ in den Warnhinweisen bezieht sich auf Ihr netzbetriebenes Elektrowerkzeug (mit Kabel) oder auf Ihr akkubetriebenes (kabelloses) Elektrowerkzeug.

1. Sicherheit im Arbeitsbereich

- Halten Sie den Arbeitsbereich sauber und gut ausgeleuchtet.** Unaufgeräumte oder dunkle Bereiche begünstigen Unfälle.
- Betreiben Sie das Elektrowerkzeug nicht in explosionsgefährdeten Umgebungen, in denen sich z. B. brennbare Flüssigkeiten, Gase oder Staub befinden.** Elektrowerkzeuge erzeugen Funken, die den Staub oder die Dämpfe entzünden können.
- Halten Sie Kinder und Zuschauer fern, während Sie ein Elektrogerät betreiben.** Ablenkung kann dazu führen, dass Sie die Kontrolle über das Gerät verlieren.

2. Elektrische Sicherheit

- Der Stecker des Elektrogerätes muss in die Steckdose passen. Ändern Sie niemals den Stecker in irge deiner Form.** Verwenden Sie keinerlei Adapterstecker an geerdeten Elektrogeräten. Unveränderte Stecker und passende Steckdosen mindern die Gefahr eines elektrischen Schlages.
- Vermeiden Sie Körperkontakt mit geerdeten Flächen, wie Rohren, Radiatoren, Herden und Kühlgeräten.** Es besteht eine erhöhte Gefahr für einen elektrischen Schlag, wenn Ihr Körper geerdet ist.
- Setzen Sie Elektrogeräte keinem Regen oder feuchten Umgebung aus.** Wenn Wasser in das Elektrogerät eindringt, erhöht sich die Gefahr eines elektrischen Schlages.
- Überlasten Sie das Kabel nicht. Verwenden Sie niemals das Kabel, um das Elektrogerät zu tragen oder durch Ziehen vom Netz zu trennen. Halten Sie**

das Kabel fern von Hitze, Öl, scharfen Kanten oder beweglichen Teilen. Beschädigte oder verhedderte Kabel erhöhen die Gefahr eines elektrischen Schlages.

- Wenn Sie ein Elektrogerät im Freien betreiben, verwenden Sie ein für den Außeneinsatz geeignetes Verlängerungskabel.** Die Verwendung von für den Außeneinsatz geeigneten Kabeln mindert die Gefahr eines elektrischen Schlages.
- Wenn der Betrieb eines Elektrogerätes in feuchter Umgebung unumgänglich ist, verwenden Sie eine durch einen Fehlerstromschutzschalter (FI-Schalter oder RCD) geschützte Stromversorgung.** Der Einsatz eines Fehlerstromschutzschalters mindert die Gefahr eines elektrischen Schlages.

3. Sicherheit von Personen

- Seien Sie aufmerksam, achten Sie darauf, was Sie tun, und gehen Sie mit Vernunft an die Arbeit mit einem Elektrowerkzeug. Benutzen Sie kein Elektrowerkzeug, wenn Sie müde sind oder unter dem Einfluss von Drogen, Alkohol oder Medikamenten stehen.** Ein Moment der Unachtsamkeit beim Betrieb eines Elektrogerätes kann zu schweren Verletzungen führen.
- Tragen Sie persönliche Schutzausrüstung. Tragen Sie Augenschutz.** Das Tragen persönlicher Schutzausrüstung, wie Staubmaske, rutschfeste Sicherheitsschuhe, Schutzhelm oder Gehörschutz, je nach Art und Einsatz des Elektrowerkzeuges, verringert das Risiko von Verletzungen.
- Vermeiden Sie unbeabsichtigtes Starten. Vergewissern Sie sich, dass der Schalter in der AUS Position ist, bevor Sie das Gerät an die Stromversorgung und/oder an den Akku anschließen oder wenn Sie das Gerät aufnehmen oder tragen.** Wenn Sie beim Tragen des Elektrowerkzeuges den Finger am Schalter haben oder das Gerät eingeschaltet an die Stromversorgung anschließen, kann dies zu Unfällen führen.
- Entfernen Sie alle Einstellschlüssel oder Werkzeuge, bevor Sie das Elektrogerät einschalten.** Werkzeuge oder Schlüssel, die an rotierenden Teilen des Elektrogerätes angebracht sind, können zu Verletzungen führen.
- Vermeiden Sie eine anormale Körperhaltung. Sorgen Sie für einen sicheren Stand und halten Sie jederzeit das Gleichgewicht.** Dadurch können Sie das Elektrowerkzeug in unerwarteten Situationen besser kontrollieren.
- Tragen Sie geeignete Kleidung. Tragen Sie keine weite Kleidung und keinen Schmuck. Halten Sie Ihre Haare, Kleidung und Handschuhe von beweglichen Teilen fern.** Lose sitzende Kleidung, Schmuck oder lange Haare können sich in den beweglichen Teilen verfangen.

- g. Wenn Geräte für den Anschluss an eine Staubsaugung und Staubsammlung vorgesehen sind, vergewissern Sie sich, dass diese richtig angeschlossen sind und verwendet werden. Der Einsatz von Staubsaugern kann staubbedingte Gefahren mindern.
- 4. Verwendung und Pflege des Elektrogerätes**
- a. Überlasten Sie das Werkzeug nicht. Verwenden Sie das für Ihre Arbeit passende Elektrogerät. Das richtige Gerät wird die Aufgabe besser und sicherer erledigen, wenn es bestimmungsgemäß verwendet wird.
- b. Benutzen Sie kein Elektrowerkzeug, dessen Schalter defekt ist. Ein Elektrowerkzeug, das sich nicht mehr ein- oder ausschalten lässt, ist gefährlich und muss repariert werden.
- c. Trennen Sie den Stecker vom Netz und/oder die Akkus vom Elektrogerät, bevor Sie Einstellungen am Gerät vornehmen, Zubehör wechseln oder es aufbewahren. Diese Vorbeugemaßnahmen mindern die Gefahr, dass das Elektrogerät unbeabsichtigt startet. Diese Vorbeugemaßnahmen mindern die Gefahr, dass das Elektrogerät unbeabsichtigt startet.
- d. Bewahren Sie nicht verwendete Elektrogeräte für Kinder unerreichbar auf und lassen Sie nicht zu, dass Personen ohne Erfahrung mit dem Elektrogerät oder mit diesen Anweisungen das Elektrogerät bedienen. Elektrogeräte sind in den Händen nicht geschulter Personen gefährlich.
- e. Pflegen Sie Ihre Elektrogeräte. Prüfen Sie, ob bewegliche Teile verzogen oder ausgeschlagen, ob Teile gebrochen oder in einem Zustand sind, der den Betrieb des Elektrogerätes beeinträchtigen kann. Bei Beschädigungen lassen Sie das Elektrogerät reparieren, bevor Sie es verwenden. Viele Unfälle entstehen wegen mangelnder Wartung der Elektrogeräte.
- f. Halten Sie Schneidwerkzeuge scharf und sauber. Richtig gewartete Schneidwerkzeuge mit scharfen Klingen blockieren seltener und sind leichter unter Kontrolle zu halten.
- g. Verwenden Sie Elektrogeräte, Zubehör und Einsätze (Bits) usw. gemäß diesen Anweisungen und unter Berücksichtigung der Arbeitsbedingungen und der Aufgabe. Wenn Sie das Elektrogerät für Aufgaben verwenden, die nicht bestimmungsgemäß sind, kann dies zu gefährlichen Situationen führen.
- 5. Service**
- a. Lassen Sie Ihr Elektrowerkzeug nur von qualifiziertem Fachpersonal und nur mit Original-Ersatzteilen reparieren. Damit wird sichergestellt, dass die Sicherheit des Gerätes erhalten bleibt.

Zusätzliche Sicherheitshinweise für Elektrowerkzeuge



Warnung! Zusätzliche Sicherheitshinweise für Bohrer und Schlagbohrmaschinen.

- ◆ Tragen Sie bei der Verwendung von Schlagbohrern Ohrenschützer. Lärm kann Gehörschäden verursachen.
- ◆ Benutzen Sie die mit dem Werkzeug gelieferten Zusatzgriffe. Der Verlust der Kontrolle kann Verletzungen verursachen.
- ◆ Halten Sie das Elektrowerkzeug an den isolierten Griffflächen, wenn Arbeiten durchgeführt werden, bei denen das Schneidwerkzeug versteckte Leitungen berühren könnte. Der Kontakt des Schneidwerkzeugs mit einer spannungsführenden Leitung kann auch metallene Geräteteile unter Spannung setzen und zu einem elektrischen Schlag führen.
- ◆ Verwenden Sie niemals ein Meißelzubehör im Drehmodus. Das Zubehörtteil bleibt im Werkstück stecken und dreht die Bohrmaschine.
- ◆ Sichern Sie das Werkstück zum Beispiel mit Einspannvorrichtungen auf einer stabilen Plattform. Das Werkstück wird instabil, wenn es mit der Hand oder dem Körper abgestützt wird, was zum Verlust der Kontrolle führen kann.
- ◆ Bevor Sie in Wände, Böden oder Decken bohren, überprüfen Sie die Lage von Kabeln und Rohren.
- ◆ Vermeiden Sie es, die Spitze eines Bohrers unmittelbar nach dem Bohren zu berühren, da dieser heiß werden kann.
- ◆ Dieses Werkzeug darf nicht von Personen (einschließlich Kindern) mit eingeschränkten physischen, sensorischen oder mentalen Fähigkeiten oder ohne ausreichende Erfahrung oder Kenntnisse verwendet werden, außer wenn diese Personen von einer Person, die für ihre Sicherheit verantwortlich ist, bei der Verwendung des Geräts beaufsichtigt oder mit ihm vertraut gemacht werden. Lassen Sie nicht zu, dass Kinder mit dem Gerät spielen.
- ◆ Die bestimmungsgemäße Verwendung ist in dieser Betriebsanleitung beschrieben. Das Verwenden anderer als der in dieser Anleitung empfohlenen Vorsatzgeräte und Zubehörtteile oder die Ausführung von Arbeiten mit diesem Elektrowerkzeug, die nicht der bestimmungsgemäßen Verwendung entsprechen, kann zu Unfallgefahren oder Sachschäden führen.
- ◆ Verwenden Sie bei staub- und spanerzeugenden Arbeiten eine Gesichts- oder Staubmaske.

Sicherheit anderer Personen

- ◆ Dieses Gerät darf nicht von Personen (einschließlich Kindern) mit eingeschränkten physischen, sensorischen oder mentalen Fähigkeiten oder ohne ausreichende

Erfahrung oder Kenntnisse verwendet werden, außer wenn diese Personen von einer Person, die für ihre Sicherheit verantwortlich ist, bei der Verwendung des Geräts beaufsichtigt oder mit ihm vertraut gemacht werden.

- ◆ Lassen Sie nicht zu, dass Kinder mit dem Gerät spielen.

Restrisiken

Beim Gebrauch dieses Geräts verbleiben zusätzliche Restrisiken, die möglicherweise nicht in den Sicherheitswarnungen genannt werden. Diese Risiken bestehen beispielsweise bei Missbrauch oder längerem Gebrauch.

Auch bei der Einhaltung der entsprechenden Sicherheitsvorschriften und der Verwendung aller Sicherheitsgeräte bestehen weiterhin bestimmte Restrisiken. Diese sind:

- ◆ Verletzungen, die durch das Berühren von sich drehenden/bewegenden Teilen verursacht werden.
- ◆ Verletzungen, die durch das Austauschen von Teilen, Sägeblättern oder Zubehör verursacht werden.
- ◆ Verletzungen, die durch längeren Gebrauch eines Geräts verursacht werden. Legen Sie bei längerem Gebrauch regelmäßige Pausen ein.
- ◆ Schwerhörigkeit.
- ◆ Gesundheitsrisiken durch das Einatmen von Staub beim Gebrauch des Geräts (beispielsweise bei Holzarbeiten, insbesondere Eiche, Buche und Pressspan)

Schwingung

Die in den technischen Daten und der Konformitätserklärung angegebenen Schwingungsemissionswerte wurden in Übereinstimmung mit einem Standard-Testverfahren gemäß EN 60745 gemessen und können zum Vergleich einzelner Werkzeuge verwendet werden. Der angegebene Schwingungsemissionswert kann auch in einer vorläufigen Beurteilung der Exposition verwendet werden.

Warnung! Der Schwingungsemissionswert, der während der tatsächlichen Benutzung des Elektrowerkzeugs erreicht wird, kann sich von dem angegebenen Wert unterscheiden, was von der Art und Weise abhängt, in der das Werkzeug verwendet wird. Der Schwingungspegel kann über den angegebenen Wert steigen.

Bei der Beurteilung der Schwingungsbelastung, um die gemäß 2002/44/EG vorgeschriebenen Sicherheitsmaßnahmen festzulegen, damit Personen geschützt werden, die regelmäßig mit Elektrowerkzeugen arbeiten, müssen in einer Bewertung der Schwingungsbelastung die tatsächlichen Einsatzbedingungen und die Art und Weise, wie das Werkzeug verwendet wird, berücksichtigt werden; dazu gehört neben der Dauer des Betriebs bei gedrücktem Auslöser auch die Berücksichtigung aller Bereiche des Betriebszyklus, beispielsweise die Häufigkeit des Abschaltens des Werkzeugs und wie lange es im Leerlauf betrieben wird.

Etiketten am Werkzeug

Die folgenden Piktogramme sind am Werkzeug inkl. Datum- und Code angebracht:



Warnung! Zur Reduzierung der Verletzungsgefahr muss der Benutzer die Betriebsanleitung lesen.



Tragen Sie bei der Verwendung von Schlagbohrern Ohrschützer. Lärm kann Gehörschäden verursachen.

Elektrische Sicherheit



Das Werkzeug ist schutzisoliert, daher ist keine Erdung erforderlich. Überprüfen Sie immer, dass die Stromversorgung der Spannung auf dem Typenschild entspricht.

- ◆ Bei einer Beschädigung des Netzkabels muss dieses durch den Hersteller oder eine Stanley FatMax Vertragswerkstatt ausgetauscht werden, um mögliche Gefahren zu vermeiden.

Merkmale

Dieses Werkzeug verfügt über einige oder alle der folgenden Merkmale:

1. Drehzahl-Regelschalter
2. Verriegelungsknopf
3. Rechts-/Links-Schalter
4. Bohrmoduswahlschalter
5. Spannfutter mit Doppelhülse
6. Seitengriff
7. Tiefenmesseröffnung

Montage

Warnung! Vergewissern Sie sich vor der Montage, dass das Gerät ausgeschaltet ist und der Netzstecker gezogen wurde.

Anbringen von Seitengriff und Tiefenanschlag (Abb. A)

- ◆ Drehen Sie den Griff gegen den Uhrzeigersinn, bis Sie den Seitengriff (6) auf das Vorderteil des Werkzeugs schieben können.
- ◆ Drehen Sie den Seitengriff in die gewünschte Position und achten Sie dabei darauf, dass die Kerben (6a) in die Kerben am Werkzeug (5a) eingreifen.
- ◆ Zum Lösen und Drehen schieben Sie den Griff nach vorne, um ihn richtig einzustellen, und achten Sie darauf, dass die Kerben wieder übereinstimmen.
- ◆ Setzen Sie den Tiefenmesser (nicht mitgeliefert) wie gezeigt in die Montageöffnung (7) ein.
- ◆ Stellen Sie die Bohrtiefe wie nachfolgend beschrieben ein.
- ◆ Ziehen Sie den Seitengriff fest, indem Sie den Griff im Uhrzeigersinn drehen.

Einstellen der Bohrtiefe (Abb. A)

- ◆ Lösen Sie den Seitengriff (6), indem Sie den Griff gegen den Uhrzeigersinn drehen.
- ◆ Stellen Sie den Tiefenmesser (nicht mitgeliefert) auf die gewünschte Position ein. Die maximale Bohrtiefe entspricht dem Abstand zwischen der Spitze des Bohrers und dem vorderen Ende des Tiefenmessers.
- ◆ Ziehen Sie den Seitengriff fest, indem Sie den Griff im Uhrzeigersinn drehen.

Anbringen von Zubehör (Abb. B)

- ◆ Öffnen Sie das Spannfutter, indem Sie die Hülse (5) gegen den Uhrzeigersinn drehen.
- ◆ Setzen Sie die Bitwelle (8) in das Spannfutter ein.
- ◆ Ziehen Sie das Spannfutter fest, indem Sie die Hülse im Uhrzeigersinn drehen.

Verwendung

Warnung! Beschleunigen Sie den Arbeitsvorgang nicht mit Gewalt. Vermeiden Sie eine Überlastung.

Warnung! Bevor Sie in Wände, Böden oder Decken bohren, überprüfen Sie die Lage von Kabeln und Rohren.

Ein- und Ausschalten (Abb. C)

- ◆ Drücken Sie zum Einschalten des Werkzeugs den Drehzahl-Regelschalter (1). Die Werkzeuggeschwindigkeit hängt davon ab, wie weit Sie den Schalter eindrücken.
- ◆ Bei Bedarf drücken Sie den Verriegelungsknopf (2) für Dauerbetrieb und lassen den Drehzahl-Regelschalter los. Diese Option funktioniert nicht beim Linkslauf.
- ◆ Zum Ausschalten des Werkzeugs lassen Sie den Drehzahl-Regelschalter los.
- ◆ Zum Ausschalten des Werkzeugs bei Dauerbetrieb drücken Sie den Drehzahl-Regelschalter erneut und lassen ihn anschließend wieder los.

Auswahl der Drehrichtung (Abb. D)

Verwenden Sie zum Bohren und Anziehen von Schrauben die Rechtslauf (im Uhrzeigersinn). Verwenden Sie zum Lösen von Schrauben oder zum Entfernen eines feststeckenden Bohrers den Linkslauf (gegen den Uhrzeigersinn).

- ◆ Um den Rechtslauf auszuwählen, bewegen Sie den Rechts-/Links-Schiebereglern (3) nach links.
- ◆ Um den Linkslauf auszuwählen, bewegen Sie den Rechts-/Links-Schiebereglern nach rechts.

Warnung! Ändern Sie niemals die Drehrichtung, während der Motor läuft.

Auswahl des Bohrmodus (Abb. E)

- ◆ Stellen Sie zum Schlagbohren in Mauerwerk und Beton den Bohrmoduswahlschalter (4) auf Position **T**.
- ◆ Zum Bohren in Stahl, Holz und Kunststoff oder zum Schrauben stellen Sie den Bohrmoduswahlschalter (4) auf Position **A**.

Zubehör

Die Leistung Ihres Werkzeugs hängt vom verwendeten Zubehör ab. Zubehörteile von Stanley FatMax wurden nach hohen Qualitätsstandards entwickelt und sollen die Leistung Ihres Werkzeugs verbessern. Mit diesem Zubehör erreichen Sie die optimale Leistung Ihres Werkzeugs.

Wartung

Ihr kabelgebundenes/kabelloses Stanley FatMax Elektrowerkzeug wurde für langfristigen Betrieb mit minimalem Wartungsaufwand konstruiert. Ein dauerhafter, einwandfreier Betrieb setzt sorgfältige Pflege und regelmäßige Reinigung voraus.

- ◆ Schalten Sie das Gerät/Werkzeug aus und ziehen Sie den Netzstecker.
- ◆ Oder schalten Sie den Akku aus und entfernen Sie ihn aus dem Gerät/Werkzeug, wenn das Gerät/Werkzeug einen separaten Akku besitzt.
- ◆ Oder lassen Sie den Akku vollständig leer werden, wenn er in das Gerät integriert ist, und schalten Sie es dann aus.
- ◆ Ziehen Sie vor dem Reinigen des Ladegeräts den Netzstecker. Abgesehen von der regelmäßigen Reinigung ist Ihr Ladegerät wartungsfrei.
- ◆ Reinigen Sie regelmäßig die Lüftungsschlitze Ihres Geräts/Werkzeugs/Ladegeräts mit einer weichen Bürste oder einem trockenen Tuch.
- ◆ Reinigen Sie das Motorgehäuse regelmäßig mit einem feuchten Tuch. Verwenden Sie keine scheuernden Reinigungsmittel oder solche auf Lösungsmittelbasis.
- ◆ Öffnen Sie das Spannfutter regelmäßig und klopfen Sie es aus, um Staub aus dem Inneren zu entfernen (falls vorhanden).

Umweltschutz



Abfalltrennung. Produkte und Akkus mit diesem Symbol dürfen nicht mit dem normalen Hausmüll entsorgt werden.

Produkte und Akkus enthalten Materialien, die wiederverwertet werden können, um den Bedarf an Rohstoffen zu verringern. Bitte recyceln Sie Elektroprodukte und Batterien gemäß den lokalen Bestimmungen.

Weitere Informationen finden Sie auf www.2helpU.com

Technische Daten

FMEH750 (Typ 1)		
Eingangsspannung	V _{AC}	230
Leerlaufdrehzahl	min ⁻¹	0 ~ 3200
Schlagrate	min ⁻¹	0 ~ 54400
Gewicht	kg	1.95

Max. Bohrleistung		
Beton	mm	16
Stahl	mm	13
Holz	mm	32

Schalldruckpegel gemäß EN 60745:	
Schalldruck (L_{pA})	101 dB(A), Unsicherheitsfaktor (K) 3 dB(A)
Schalleistung (L_{WA})	112 dB(A), Unsicherheitsfaktor (K) 3 dB(A)

Gesamtvibrationswerte (Triax-Vektorsumme) gemäß EN 60745:	
Schlagbohren in Beton ($a_{h,10}$)	14,6 m/s ² , Unsicherheitsfaktor (K) 1,5 m/s ²
Bohren in Metall ($a_{h,10}$)	3,8 m/s ² , Unsicherheitsfaktor (K) 1,5 m/s ²

EU-Konformitätserklärung MASCHINENRICHTLINIE



FMEH750 Schlagbohrer

Stanley Europe erklärt hiermit, dass diese unter „Technische Daten“ beschriebenen Produkte die folgenden Vorschriften erfüllen:

EN60745-1:2009+A11:2010, EN60745-2-1:2010.

Diese Produkte entsprechen außerdem den Richtlinien 2014/30/EU, 2006/42/EC und 2011/65/EU.

Weitere Informationen erhalten Sie von Black & Decker unter der folgenden Adresse. Diese befindet sich auch auf der Rückseite dieser Anleitung.

Der Unterzeichnete ist verantwortlich für die Zusammenstellung des technischen Dossiers und gibt diese Erklärung im Namen von Stanley FatMax ab.

R. Laverick
Director of Engineering
Stanley Europe, Egide Walschaertsstraat 14-18,
2800 Mechelen, Belgien
19.02.2018

Zur Inanspruchnahme dieser Garantie muss sie den allgemeinen Geschäftsbedingungen von Stanley FatMax entsprechen und dem Verkäufer bzw. der Vertragswerkstatt ist ein Kaufnachweis vorzulegen. Die Bedingungen für die 1-jährige Garantie von Stanley FatMax und den Standort Ihrer nächstgelegenen Vertragswerkstatt finden Sie im Internet unter www.2helpU.com oder indem Sie sich an die lokale Stanley FatMax-Niederlassung wenden, deren Adresse Sie in dieser Anleitung finden.

Ihr neues Stanley FatMax-Produkt können Sie auf unserer Website unter www.stanley.eu/3 registrieren. Dort erhalten Sie auch Informationen über neue Produkte und Sonderangebote.

Garantie

Stanley FatMax vertraut auf die Qualität der eigenen Geräte und bietet dem Käufer eine außergewöhnliche Garantie von 12 Monaten ab Kaufdatum. Diese Garantie versteht sich unbeschadet der gesetzlichen Gewährleistungsansprüche und schränkt diese keinesfalls ein. Diese Garantie gilt innerhalb der Staatsgebiete der Mitgliedstaaten der Europäischen Union und der Europäischen Freihandelszone.

Utilisation prévue

Votre perceuse à percussion Stanley Fat Max FMEH750 a été conçue pour percer le bois, le métal, le plastique, la maçonnerie ainsi que pour effectuer des opérations de vissage. Cet outil a été conçu pour les professionnels et les particuliers.

Instructions liées à la sécurité Avertissements de sécurité générale liés aux outils électriques



Avertissement ! Lisez tous les avertissements et toutes les consignes de sécurité.

Le non-respect des avertissements et des instructions listés ci-dessous peut entraîner des chocs électriques, des incendies et/ou de graves blessures.

Conservez tous les avertissements et toutes les instructions afin de pouvoir vous y référer dans le futur.

Le terme "outil électrique" mentionné dans tous les avertissements listés ci-dessous fait référence à vos outils électriques fonctionnant sur secteur (avec câble) ou sur pile ou batterie (sans fil).

1. Sécurité de la zone de travail

- a. **Maintenez la zone de travail propre et bien éclairée.**
Les zones sombres ou encombrées sont propices aux accidents.
- b. **N'utilisez pas d'outils électriques dans un environnement présentant des risques d'explosion ou en présence de liquides, gaz ou poussières inflammables.** Les outils électriques créent des étincelles qui peuvent enflammer les poussières et les fumées.
- c. **Maintenez les enfants et les autres personnes éloignés quand vous utilisez un outil électrique.**
Toute distraction peut vous faire perdre le contrôle de l'outil.

2. Sécurité électrique

- a. **Les prises des outils électriques doivent correspondre à la prise de courant murale. Ne modifiez jamais la prise d'aucune sorte.** N'utilisez aucun adaptateur avec des outils électriques reliés à la terre. L'utilisation de prises d'origine et de prises murales appropriées permet de réduire le risque de choc électrique.
- b. **Évitez tout contact physique avec des surfaces reliées à la terre comme des tuyaux, des radiateurs, des fours et des réfrigérateurs par exemple.** Il y a sinon un risque accru de choc électrique si votre corps est lui-même relié à la terre.
- c. **N'exposez pas les outils électriques à la pluie, ni à l'humidité.** Le risque de choc électrique augmente si de l'eau pénètre dans un outil électrique.

- d. **Ne tirez pas sur le cordon d'alimentation. N'utilisez jamais le cordon pour transporter, tirer ou débrancher l'outil électrique. Maintenez le cordon éloigné de la chaleur, de substances grasses, de bords tranchants ou de pièces mobiles.** Les cordons endommagés ou emmêlés augmentent le risque de choc électrique.
- e. **Si vous utilisez un outil électrique à l'extérieur, utilisez une rallonge homologuée pour les travaux extérieurs.** L'utilisation d'une rallonge électrique homologuée pour les travaux en extérieur réduit le risque de choc électrique.
- f. **Si l'utilisation d'un outil électrique dans un endroit humide est inévitable, utilisez une alimentation électrique protégée par un disjoncteur différentiel à courant résiduel (DDR).** L'utilisation d'un DDR réduit le risque de choc électrique.

3. Sécurité des personnes

- a. **Restez vigilant, surveillez ce que vous faites et faites preuve de bon sens lorsque vous utilisez un outil électrique. N'utilisez pas d'outils électriques si vous êtes fatigué ou sous l'influence de drogue, d'alcool ou de médicaments.** Tout moment d'inattention pendant l'utilisation d'un outil électrique peut engendrer de graves blessures.
- b. **Portez des équipements de protection individuelle. Portez toujours une protection oculaire.** Les équipements de protection comme les masques à poussière, les chaussures de sécurité antidérapantes, les casques ou les protections auditives, utilisés à bon escient, réduisent le risque de blessures.
- c. **Empêchez tout démarrage intempestif. Assurez-vous que l'interrupteur est en position Arrêt avant de raccorder l'outil à l'alimentation électrique et/ou au bloc-batterie ou avant de ramasser ou de transporter l'outil.** Le fait de transporter les outils électriques du doigt sur l'interrupteur ou d'alimenter les outils électriques dont l'interrupteur est déjà en position de marche augmente le risque d'accidents.
- d. **Retirez toutes les clés ou pinces de réglage avant de mettre l'outil en marche.** Une clé ou une pince restée fixée sur une pièce rotative de l'outil électrique peut engendrer des blessures.
- e. **Ne vous penchez pas. Gardez les pieds bien ancrés au sol et conservez votre équilibre en permanence.** Cela permet de mieux maîtriser l'outil électrique en cas de situations imprévues.
- f. **Portez des vêtements appropriés. Ne portez aucun vêtement ample ou bijou. Gardez vos cheveux, vos vêtements et vos gants éloignés des pièces mobiles.** Les vêtements amples, les bijoux ou les cheveux longs peuvent être happés par les pièces mobiles.
- g. **Si des dispositifs pour le raccordement d'un extracteur de poussières ou des installations pour la**

récupération sont présents, assurez-vous qu'ils sont correctement raccordés et utilisés. L'utilisation de dispositifs récupérateurs de poussières réduit les risques liés aux poussières.

4. Utilisation et entretien des outils électriques

- a. **Respectez la capacité de l'outil. Utilisez l'outil approprié en fonction du travail à réaliser.** Un outil adapté fonctionne mieux, de façon plus sûre et à la cadence pour laquelle il a été conçu.
- b. **N'utilisez pas l'outil électrique si son interrupteur ne permet pas de l'allumer ou de l'éteindre.** Tout outil électrique qui ne peut plus être commandé par son interrupteur est dangereux et doit être réparé.
- c. **Débranchez la prise du secteur et/ou le bloc-batterie de l'outil électrique avant d'effectuer tout réglage, de changer un accessoire ou de ranger l'outil électrique.** Ces mesures de sécurité préventives réduisent le risque de démarrage accidentel de l'outil électrique.
- d. **Rangez les outils électriques non utilisés hors de portée des enfants et ne laissez aucune personne ne connaissant pas ces outils ou leurs instructions d'utilisation les faire fonctionner.** Les outils électriques peuvent être dangereux entre des mains inexpérimentées.
- e. **Entretenez vos outils électriques. Vérifiez que les pièces mobiles sont alignées correctement et qu'elles ne sont pas coincées. Vérifiez qu'aucune pièce n'est cassée et contrôlez l'absence de toute autre condition qui pourrait nuire au bon fonctionnement de l'outil. En cas de dommage, faites réparer l'outil électrique avant de l'utiliser.** De nombreux accidents sont provoqués par des outils électriques mal entretenus.
- f. **Maintenez les organes de coupe affûtés et propres.** Des organes de coupe bien entretenus et affûtés sont moins susceptibles de rester coincés et sont plus faciles à contrôler.
- g. **Utilisez l'outil électrique, les accessoires et les embouts d'outils conformément à ces instructions, en tenant compte des conditions de travail, ainsi que du travail à effectuer.** L'utilisation d'un outil électrique à des fins autres que celles pour lesquelles il a été prévu engendre des situations dangereuses.

5. Réparation

- a. **Ne faites réparer votre outil électrique que par un réparateur qualifié qui n'utilise que des pièces de rechange d'origine.** Cela permet de garantir la sûreté de l'outil électrique.

Avertissements de sécurité supplémentaires liées aux outils électriques



Avertissement ! Avertissement supplémentaires concernant les perceuses et les perceuses à percussion.

- ◆ **Portez des protections auditives pour utiliser une perceuse à percussion.** L'exposition au bruit peut provoquer la perte de l'ouïe.
- ◆ **Utilisez les poignées auxiliaires fournies avec l'outil.** La perte de contrôle peut provoquer des blessures.
- ◆ **Tenez l'outil par ses surfaces de préhension isolées lorsque vous travaillez dans des zones où l'organe de coupe peut entrer en contact avec des fils électriques cachés.** Tout contact de l'accessoire de coupe avec un fil sous tension peut mettre les parties métalliques exposées de l'outil sous tension et provoquer un choc électrique à l'utilisateur.
- ◆ **N'utilisez jamais un burin en mode rotatif.** L'accessoire pourrait se tordre à l'intérieur de la matière et faire tourner la perceuse.
- ◆ **Utilisez des pinces ou tout autre moyen pratique pour fixer et soutenir l'ouvrage sur une plateforme stable.** Tenir l'ouvrage à la main ou contre votre corps le rend instable et peut conduire à une perte de contrôle.
- ◆ **Avant de percer des murs, des planchers ou des plafonds, vérifiez l'emplacement des fils électriques et des canalisations.**
- ◆ **Évitez de toucher le bout d'un foret juste après avoir percé. Il peut être chaud.**
- ◆ **Cet outil ne peut pas être utilisé par des personnes (y compris des enfants) ayant des capacités mentales, sensorielles ou physiques réduites, ou celles manquant d'expérience et de connaissances, à moins qu'elles ne soient encadrées ou qu'elles n'aient été formées à l'utilisation de l'outil par une personne responsable de leur sécurité.** Les enfants doivent être surveillés pour garantir qu'ils ne jouent pas avec l'appareil.
- ◆ **L'utilisation prévue est décrite dans ce manuel d'utilisation.** L'utilisation d'un accessoire ou d'un équipement non spécifié ou l'utilisation de cet outil à d'autres fins que celles recommandées dans ce manuel d'utilisation présentent un risque de blessures et/ou de dommages matériels.
- ◆ **Utilisez un masque anti-poussière si vos activités sont susceptibles de créer de la poussière ou de projeter des particules.**

Sécurité des personnes

- ◆ Cet appareil n'est pas prévu pour être utilisé par des personnes (y compris des enfants) ayant des capacités physiques, sensorielles ou mentales réduites ou qui manquent d'expérience et de connaissances, sauf si elles

sont supervisées ou formées à l'utilisation de l'appareil par une personne responsable de leur sécurité.

- ◆ Les enfants doivent être surveillés pour garantir qu'ils ne jouent pas avec l'appareil.

Risques résiduels

Certains risques résiduels autres que ceux mentionnés dans les avertissements sur la sécurité peuvent survenir en utilisant l'outil. Ces risques peuvent être provoqués par une utilisation incorrecte, prolongée, etc...

Malgré l'application des normes de sécurité pertinentes et la présence de dispositifs de sécurité, certains risques résiduels ne peuvent pas être évités. Ils comprennent :

- ◆ Les blessures dues au contact avec des pièces mobiles/ en rotation.
- ◆ Les blessures dues au changement de pièces, de lames ou d'accessoires.
- ◆ Les blessures dues à l'utilisation prolongée d'un outil. Lorsque l'outil est utilisé pendant de longues périodes, assurez-vous de faire des pauses régulières.
- ◆ Troubles de l'ouïe.
- ◆ Risques pour la santé dus à l'inhalation de poussières produites pendant l'utilisation de l'outil (exemple : travail avec du bois, surtout le chêne, le hêtre et les panneaux en MDF).

Vibrations

La valeur des émissions de vibrations déclarée dans la section Caractéristiques techniques et la déclaration de conformité a été mesurée selon une méthode de test standard fournie par la norme EN 60745 et peut être utilisée pour comparer un outil à un autre. La valeur des émissions de vibrations déclarée peut aussi être utilisée pour une évaluation préliminaire de l'exposition.

Avertissement ! En fonction de la manière dont l'outil est utilisé, la valeur des émissions de vibrations réelles pendant l'utilisation de l'outil peut différer de la valeur déclarée. Le niveau des vibrations peut dépasser le niveau déclaré. Quand l'exposition aux vibrations est évaluée afin de déterminer les mesures de sécurité requises par la norme 2002/44/CE pour protéger les personnes utilisant régulièrement des outils électriques, cette estimation doit tenir compte des conditions réelles d'utilisation et de la façon dont l'outil est utilisé.

Il faut également tenir compte de toutes les composantes du cycle de fonctionnement comme la durée pendant laquelle l'outil est arrêté et quand il fonctionne au ralenti, ainsi que la durée du déclenchement.

Étiquettes apposées sur l'outil

Les pictogrammes qui suivent figurent sur l'outil avec le code date :



Avertissement ! Afin de réduire le risque de blessures, l'utilisateur doit lire le manuel d'utilisation.



Portez des protections auditives pour utiliser une perceuse à percussion. L'exposition au bruit peut engendrer la perte de l'ouïe.

Sécurité électrique



Cet outil est doublement isolé et ne nécessite donc aucun fil de liaison à la terre. Vérifiez toujours que l'alimentation électrique correspond à la tension indiquée sur la plaque signalétique.

- ◆ Si le câble d'alimentation est endommagé, il doit être remplacé par le fabricant ou par un centre d'assistance Stanley FatMax agréé afin d'éviter tout accident.

Caractéristiques

Cet outil dispose de tout ou partie des éléments suivants.

1. Interrupteur variateur de vitesse
2. Bouton de verrouillage
3. Commutateur de sens de rotation avant/arrière
4. Sélecteur du mode de perçage
5. Mandrin à manchon jumelé
6. Poignée latérale
7. Orifice pour jauge de profondeur

Assemblage

Avertissement ! Avant l'assemblage, assurez-vous que l'outil est éteint et débranché.

Installation de la poignée latérale et de la butée de profondeur (Fig. A)

- ◆ Tournez la poignée dans le sens inverse des aiguilles d'une montre jusqu'à ce que la poignée latérale (6) puisse glisser sur l'avant de l'outil.
- ◆ Pivotez la poignée latérale à la position voulue en vous assurant que les encoches (6a) s'engagent dans les encoches sur l'outil (5a).
- ◆ Pour la libérer et pouvoir la tourner, glissez la poignée vers l'avant pour la régler en vous assurant qu'elle se réengage bien dans les encoches.
- ◆ Insérez la jauge de profondeur (non fournie) dans l'orifice de montage (7), comme illustré.
- ◆ Réglez la profondeur de perçage comme décrit ci-dessous.
- ◆ Serrez la poignée latérale en tournant son manche dans le sens des aiguilles d'une montre.

Réglage de la profondeur de perçage (Fig. A)

- ◆ Desserrez la poignée latérale (6) en la tournant dans le sens inverse des aiguilles d'une montre.
- ◆ Réglez la jauge de profondeur (non fournie) à la position voulue. La profondeur de perçage maximale est égale à

la distance entre le bout du foret et l'extrémité avant de la jauge de profondeur.

- ◆ Serrez la poignée latérale en tournant son manche dans le sens des aiguilles d'une montre.

Mise en place d'un accessoire (Fig. B)

- ◆ Ouvrez le mandrin en tournant le manchon (5) dans le sens inverse des aiguilles d'une montre.
- ◆ Insérez la tige du foret/embout (8) dans le mandrin.
- ◆ Serrez le mandrin en tournant le manchon dans le sens des aiguilles d'une montre.

Utilisation

Avertissement ! Laissez l'outil fonctionner à son propre rythme. Ne le poussez pas au-delà de sa limite.

Avertissement ! Avant de percer des murs, des planchers ou des plafonds, vérifiez l'emplacement des fils électriques et des canalisations.

Mise en marche et extinction (Fig. C)

- ◆ Pour mettre l'outil en marche, enfoncez l'interrupteur sélecteur de vitesse (1). La vitesse de l'outil dépend du degré d'enfoncement de l'interrupteur.
- ◆ Pour faire fonctionner l'outil en continu, appuyez sur le bouton de verrouillage (2) et relâchez l'interrupteur variable de vitesse. Cette option ne fonctionne pas en sens de rotation arrière.
- ◆ Pour arrêter l'outil, relâchez l'interrupteur variable de vitesse.
- ◆ Pour arrêter l'outil quand celui-ci est en mode continu, appuyez de nouveau sur l'interrupteur variable de vitesse, puis relâchez-le.

Sélection du sens de rotation (Fig. D)

Pour percer et visser, utilisez le sens de rotation avant (sens des aiguilles d'une montre).

Pour desserrer des vis ou retirer un foret coincé, utilisez le sens de rotation arrière (sens inverse des aiguilles d'une montre).

- ◆ Pour choisir le sens de rotation avant, poussez le curseur de réglage du sens de rotation (3) vers la gauche.
- ◆ Pour sélectionner le sens de rotation arrière, poussez le curseur de réglage du sens de rotation vers la droite.

Avertissement ! Ne modifiez jamais le sens de rotation quand le moteur tourne.

Choix du mode de perçage (Fig. E)

- ◆ Pour le perçage à percussion de la pierre et du béton, réglez le sélecteur de mode de fonctionnement (4) sur la position **T**.
- ◆ Pour percer l'acier, le bois et le plastique ou pour le vissage, placez le sélecteur de mode (4) sur la position **1**.

Accessoires

Les performances de votre outil dépendent de l'accessoire utilisé. Les accessoires Stanley Fat Max répondent à des normes de qualité supérieures et ils sont conçus pour augmenter le niveau de performance de votre outil. L'utilisation de ces accessoires vous permet de tirer le meilleur de votre outil.

Maintenance

Votre appareil/outil sans fil/avec fil Stanley Fat Max a été conçu pour fonctionner pendant longtemps avec un minimum d'entretien. Le fonctionnement continu et satisfaisant de l'appareil dépend de son bon entretien et de son nettoyage régulier.

- ◆ Éteignez et débranchez l'appareil/outil.
- ◆ Ou éteignez l'appareil/l'outil et retirez en la batterie s'il dispose d'un bloc-batterie séparé.
- ◆ Ou déchargez complètement la batterie si elle est intégrée, puis éteignez la machine.
- ◆ Débranchez le chargeur avant de le nettoyer. Votre chargeur ne nécessite aucun entretien particulier, à l'exception d'un nettoyage régulier.
- ◆ Nettoyez régulièrement les fentes d'aération de votre appareil/outil/chargeur à l'aide d'une brosse souple ou d'un chiffon sec.
- ◆ Nettoyez régulièrement le bloc-moteur à l'aide d'un chiffon humide. N'utilisez pas de détergents abrasifs ou à base de solvants.
- ◆ Ouvrez régulièrement le mandrin et retirez la poussière à l'intérieur en le tapotant (si installé).

Protection de l'environnement



Tri sélectif. Les produits et batteries marqués de ce symbole ne doivent pas être jetés avec les déchets ménagers.

Les produits et batteries contiennent des matières qui peuvent être récupérées et recyclées afin de réduire la demande en matières premières.

Veillez recycler les produits électriques et les batteries conformément aux dispositions locales en vigueur.

Pour plus d'informations, consultez le site www.2helpU.com

Données techniques

FMEH750 (Type 1)		
Tension d'entrée	V _{AC}	230
Vitesse à vide	min ⁻¹	0 ~ 3200
Cadence de l'impact	min ⁻¹	0 ~ 54400
Poids	kg	1.95
Capacité maxi de perçage		
Béton	mm	16
Acier	mm	13
Bois	mm	32

Niveau de pression sonore selon la norme EN 60745 :
Pression sonore (L_{pA}) 101 dB(A), incertitude (K) 3 dB(A)
Puissance sonore (L_{WA}) 112 dB(A), incertitude (K) 3 dB(A)
Valeurs totales des vibrations (somme vectorielle triaxiale) selon la norme EN 60745 :
Perçage à percussion dans le béton (a_{hv}) 14,6 m/s^2 , incertitude (K) 1,5 m/s^2
Perçage du métal (a_{hv}) 3,8 m/s^2 , incertitude (K) 1,5 m/s^2

Déclaration de conformité CE

DIRECTIVES MACHINES



FMEH750 Perceuse à percussion

Stanley Europe déclare que les produits décrits dans les «Caractéristiques techniques» sont conformes aux normes : EN60745-1:2009+A11:2010, EN60745-2-1:2010.

Ces produits sont également conformes aux Directives 2014/30/UE, 2006/42/CE et 2011/65/EU.

Pour plus de détails, veuillez contacter Black & Decker à l'adresse suivante ou consultez la dernière page du manuel.

Le soussigné est responsable de la compilation des données de la fiche technique et fait cette déclaration au nom de Stanley FatMax.

R. Laverick
 Directeur Ingénierie
 Stanley Europe, Egide Walschaertsstraat 14-18,
 2800 Mechelen, Belgique
 19/02/2018

Garantie

Stanley Fat Max est sûr de la qualité de ses produits et offre une garantie de 12 mois à ses clients, à partir de la date d'achat. Cette garantie s'ajoute à vos droits légaux auxquels elle ne porte aucunement préjudice. La garantie est valable sur les territoires des états membres de l'Union européenne et la zone européenne de libre-échange.

Pour prétendre à la garantie, la réclamation doit être en conformité avec les conditions générales de Stanley Fat Max et vous devez fournir une preuve d'achat au vendeur ou au réparateur agréé. Les conditions générales de la garantie de 1 an Stanley Fat Max ainsi que l'adresse du réparateur agréé le plus proche sont disponibles sur le site Internet www.2helpU.com ou en contactant votre agence Stanley Fat Max locale à l'adresse indiquée dans ce manuel.

Veuillez consulter notre site Internet www.stanley.eu/3 pour enregistrer votre nouveau produit Stanley Fat Max et pour être tenu informé des nouveaux produits et offres spéciales.

Usò previsto

Il trapano/avvitatore a impulsi Stanley FatMax FMEH750 è stato progettato per eseguire lavori di foratura in materiali quali legno, metallo, plastica e muratura, oltre che per serrare e allentare viti. Questo utensile è stato progettato per uso professionale e privato e per utenti non professionisti.

Istruzioni di sicurezza Avvertenze di sicurezza generali per gli elettrodomestici



Avvertenza! Leggere attentamente tutte le avvertenze di sicurezza e le istruzioni. La mancata osservanza delle avvertenze e istruzioni elencate di seguito potrebbe dar luogo a scosse elettriche, incendi e/o lesioni gravi alle persone.

Conservare tutte le avvertenze e le istruzioni per consultazioni successive. Il termine "elettrodomestico" che ricorre in tutte le avvertenze seguenti si riferisce a utensili elettrici alimentati attraverso la rete elettrica (con filo) o a batteria (senza filo).

1. Sicurezza nell'area di lavoro

- Mantenere pulita e bene illuminata l'area di lavoro.** Il disordine o la scarsa illuminazione possono essere causa d'incidenti.
- Evitare di usare gli elettrodomestici in ambienti esposti a rischio di esplosione, ad esempio in presenza di liquidi, gas o polveri infiammabili.** Gli elettrodomestici generano scintille che possono incendiare le polveri o i fumi.
- Tenere lontani bambini e altre persone presenti mentre si usa un elettrodomestico.** Eventuali distrazioni possono provocare la perdita di controllo dello stesso.

2. Sicurezza elettrica

- Le spine elettriche degli elettrodomestici devono essere adatte alla presa. Non modificare la spina in alcun modo.** Non utilizzare spine con adattatore con gli elettrodomestici dotati di messa a terra. Per ridurre il rischio di scossa elettrica evitare di modificare le spine e utilizzare sempre le prese appropriate.
- Evitare il contatto fisico con superfici collegate a terra, come tubi, radiatori, forni e frigoriferi.** Se il proprio corpo è collegato a terra, il rischio di scossa elettrica aumenta.
- Custodire gli elettrodomestici al riparo dalla pioggia o dall'umidità.** Se penetra dell'acqua all'interno dell'elettrodomestico, il rischio di scossa elettrica aumenta.
- Non utilizzare il cavo in modo improprio. Non spostare, tirare o scollegare mai l'elettrodomestico dalla presa tirandolo dal cavo. Tenere il cavo di**

alimentazione lontano da fonti di calore, olio, bordi taglienti o parti in movimento. Se il cavo è danneggiato o impigliato, il rischio di scossa elettrica aumenta.

- e. **Se l'elettrotensile viene utilizzato all'aperto, usare esclusivamente prolunghie omologate per l'impiego all'esterno.** L'uso di un cavo di alimentazione adatto per esterni riduce il rischio di scossa elettrica.
- f. **Se non è possibile evitare di lavorare con l'utensile in una zona umida, collegarlo a una rete elettrica protetta da un interruttore differenziale (RCD).** L'uso di un interruttore differenziale riduce il rischio di scossa elettrica.

3. Sicurezza delle persone

- a. **È importante concentrarsi su ciò che si sta facendo e maneggiare con giudizio l'elettrotensile. Non utilizzare un elettrotensile quando si è stanchi o sotto l'effetto di droghe, alcool o medicinali.** Un solo attimo di distrazione durante l'uso dell'elettrotensile potrebbe provocare gravi lesioni personali.
- b. **Usare dispositivi di protezione individuale. Indossare sempre dispositivi di sicurezza per gli occhi.** L'uso di dispositivi di protezione, quali mascherine antipolvere, scarpe antinfortunistiche antiscivolo, elmetti o protezioni auricolari in condizioni opportune consente di ridurre le lesioni alle persone.
- c. **Prevenire l'avviamento involontario. Accertarsi che l'interruttore di accensione sia nella posizione di spegnimento, prima di collegare l'elettrotensile alla rete elettrica e/o alla batteria, di prenderlo in mano o di trasportarlo.** Per non esporsi al rischio di incidenti, non trasportare l'elettrotensile tenendo le dita sull'interruttore e non collegarlo a una fonte di alimentazione elettrica con l'interruttore acceso.
- d. **Prima di accendere un elettrotensile, togliere eventuali utensili o chiavi di regolazione.** Un utensile di regolazione o una chiave inserito/a su una parte rotante dell'elettrotensile può provocare lesioni a persone.
- e. **Non piegarsi eccessivamente in avanti. Mantenere sempre un appoggio e un equilibrio adeguati.** In tal modo è possibile mantenere un migliore controllo dell'elettrotensile nelle situazioni impreviste.
- f. **Vestirsi adeguatamente. Non indossare abiti lenti o gioielli. Tenere i capelli, i vestiti e i guanti lontano dalle parti mobili.** Abiti larghi, gioielli o capelli lunghi possono impigliarsi nelle parti in movimento.
- g. **Se gli elettrotensili sono provvisti di attacchi per il collegamento di dispositivi di aspirazione o di raccolta della polvere, assicurarsi che questi siano installati e utilizzati correttamente.** L'impiego di dispositivi per la raccolta delle polveri può ridurre i pericoli legati a queste ultime.

4. Uso e cura dell'elettrotensile

- a. **Non sovraccaricare l'elettrotensile. Utilizzare l'elettrotensile adatto per il lavoro da eseguire.** L'elettrotensile corretto funziona meglio e in modo più sicuro, se utilizzato alla velocità per cui è stato progettato.
- b. **Non utilizzare l'elettrotensile se l'interruttore di accensione/spengimento è difettoso.** Qualsiasi elettrotensile che non possa essere controllato tramite l'interruttore è pericoloso e deve essere riparato.
- c. **Scollegare la spina dalla presa di corrente e/o la batteria dall'elettrotensile prima di regolarlo, sostituirne gli accessori o riparlo.** Queste misure di sicurezza preventive riducono il rischio di azionare accidentalmente l'elettrotensile.
- d. **Quando non vengono usati, gli elettrotensili devono essere custoditi fuori dalla portata dei bambini. Non consentire l'uso dell'elettrotensile a persone inesperte o che non abbiano letto questo manuale d'istruzioni.** Gli elettrotensili sono pericolosi in mano a persone inesperte.
- e. **Sottoporre gli elettrotensili a regolare manutenzione. Verificare che le parti mobili siano correttamente allineate e non inceppate, che non vi siano componenti rotti e che non sussistano altre condizioni che possono compromettere il funzionamento dell'elettrotensile. Se l'elettrotensile è danneggiato, farlo riparare prima dell'uso.** Molti incidenti sono provocati da elettrotensili non sottoposti a corretta manutenzione.
- f. **Mantenere affilati e puliti gli utensili da taglio.** La manutenzione corretta degli utensili da taglio con bordi affilati riduce le probabilità di inceppamento e ne facilita il controllo.
- g. **Utilizzare l'elettrotensile, gli accessori, le punte, ecc. in conformità alle presenti istruzioni, tenendo conto delle condizioni operative e del lavoro da eseguire.** L'utilizzo dell'elettrotensile per impieghi diversi da quelli previsti può dare luogo a situazioni di pericolo.

5. Manutenzione

- a. **Fare riparare l'elettrotensile esclusivamente da personale specializzato e solo utilizzando pezzi di ricambio originali.** In questo modo sarà possibile mantenere la sicurezza dell'elettrotensile.

Ulteriori avvertenze di sicurezza valide per gli elettrotensili



Avvertenza! Avvertenze di sicurezza aggiuntive per i trapani/avvitatori normali e a impulsi.

- ◆ **Indossare protezioni acustiche quanto si effettuano lavori con trapani/avvitatori a impulsi.** L'esposizione al rumore può condurre alla perdita dell'udito.

- ◆ **Usare le impugnature ausiliarie fornite con l'elettro-utensile.** La perdita del controllo può causare lesioni a persone.
- ◆ **Sostenere l'elettro-utensile con supporti dotati di superfici isolanti quando si eseguono lavorazioni in cui l'accessorio di taglio potrebbe toccare cavi elettrici nascosti.** Gli accessori da taglio che vengono a contatto con un cavo sotto tensione trasmettono la corrente elettrica anche alle parti metalliche esposte dell'elettro-utensile e possono provocare la folgorazione dell'operatore.
- ◆ **Non utilizzare mai lo scalpello in modalità di rotazione.** L'accessorio rimarrà inceppato nel materiale e farà ruotare il trapano.
- ◆ **Usare morse o altri metodi pratici per fissare e sostenere il pezzo in lavorazione su una piattaforma stabile.** Tenere il pezzo in lavorazione con le mani o contro il corpo non ne assicura la stabilità e potrebbe comportare la perdita di controllo.
- ◆ **Prima di forare pareti, pavimenti o soffitti, controllare l'ubicazione di fili e tubazioni.**
- ◆ **Evitare di toccare l'estremità appuntita di una punta del trapano subito dopo l'uso, perché che potrebbe essere molto calda.**
- ◆ **Questo elettro-utensile non è destinato all'uso da parte di persone (compresi i bambini) con capacità fisiche, sensoriali o mentali ridotte, o prive di esperienza e conoscenze, a meno che non siano sottoposte a sorveglianza o ricevano istruzioni riguardo all'uso dell'elettro-utensile da parte di una persona responsabile della loro sicurezza.** I bambini devono essere sorvegliati per assicurarsi che non giochino con l'elettro-utensile.
- ◆ **L'uso previsto è indicato in questo manuale di istruzioni.**
L'impiego dell'elettro-utensile con accessori o per scopi diversi da quelli raccomandati in questo manuale, potrebbe causare lesioni alle persone e/o danni alle cose.
- ◆ **Indossare una maschera facciale o una mascherina antipolvere per le operazioni in cui si potrebbero produrre polvere o detriti volanti.**

Sicurezza altrui

- ◆ Questo elettro-utensile non è destinato all'uso da parte di persone (compresi i bambini) con capacità fisiche, sensoriali o mentali ridotte, o prive di esperienza e conoscenze, a meno che non siano sottoposte a sorveglianza o ricevano istruzioni riguardo all'uso dell'elettro-utensile da parte di una persona responsabile della loro sicurezza.
- ◆ I bambini devono essere sorvegliati per assicurarsi che non giochino con l'elettro-utensile.

Rischi residui

L'utilizzo dell'apparecchio può comportare rischi residui non necessariamente riportati nelle presenti avvertenze di

sicurezza. Tali rischi possono verificarsi a seguito di un uso prolungato o improprio, ecc.

Malgrado il rispetto delle norme di sicurezza pertinenti e l'implementazione di dispositivi di sicurezza, alcuni rischi residui non possono essere evitati. Tali rischi residui includono:

- ◆ lesioni causate o subite a seguito del contatto con parti rotanti/in movimento;
- ◆ lesioni causate o subite durante la sostituzione di parti, lame o accessori;
- ◆ lesioni causate dall'impiego prolungato di un elettro-utensile (quando si utilizza qualsiasi apparecchio per lunghi periodi, accertarsi di fare regolarmente delle pause);
- ◆ menomazioni uditive;
- ◆ rischi per la salute causati dall'aspirazione di polvere generata dall'utilizzo dell'elettro-utensile (ad esempio quando si lavora con il legno, in modo particolare quello di quercia, faggio o l'MDF).

Vibrazioni

I valori dichiarati delle emissioni di vibrazioni al paragrafo "Dati tecnici" e nella Dichiarazione di conformità di questo manuale sono stati misurati in base al metodo di prova standard previsto dalla normativa EN 60745 e possono essere usati come parametri di confronto tra due elettro-utensili. Il valore delle emissioni di vibrazioni dichiarato può anche essere usato come valutazione preliminare dell'esposizione.

Avvertenza! Il valore delle emissioni di vibrazioni durante l'impiego effettivo dell'elettro-utensile può variare da quello dichiarato a seconda delle modalità d'uso. Il livello delle vibrazioni può aumentare oltre quello dichiarato.

Quando si valuta l'esposizione alle vibrazioni per determinare le misure di sicurezza richieste dalla normativa 2002/44/CE destinata alla protezione delle persone che utilizzano regolarmente elettro-utensili per lo svolgimento delle proprie mansioni, è necessario prendere in considerazione le condizioni effettive di utilizzo e il modo in cui l'elettro-utensile viene usato, oltre che tenere conto di tutte le componenti del ciclo operativo, vale a dire i periodi in cui l'elettro-utensile rimane spento, quelli in cui è acceso ma fermo e quelli in cui viene effettivamente utilizzato.

Etichette sull'elettro-utensile

Sull'elettro-utensile sono presenti i seguenti simboli assieme al codice data:



Avvertenza! Per ridurre il rischio di lesioni alle persone l'utilizzatore deve leggere il manuale di istruzioni.



Indossare protezioni acustiche quanto si effettuano lavori con trapani/avvitatori a impulsi. L'esposizione al rumore può condurre alla perdita dell'udito.

Sicurezza elettrica



Il doppio isolamento di cui è provvisto l'elettrotensile rende superfluo il filo di terra. Verificare sempre che la tensione della rete elettrica corrisponda alla tensione indicata sulla targhetta dei valori nominali.

- ◆ Per prevenire pericoli, i cavi di alimentazione danneggiati devono essere sostituiti dal produttore o da un centro di assistenza Stanley FatMax.

Caratteristiche

Questo elettrotensile presenta alcune o tutte le seguenti caratteristiche.

1. Interruttore di azionamento a velocità variabile
2. Pulsante di blocco accensione per funzionamento continuo
3. Cursore di controllo rotazione avanti/indietro
4. Selettore della modalità operativa
5. Mandrino portapunta a doppia ghiera
6. Impugnatura laterale
7. Foro del misuratore di profondità

Assemblaggio

Avvertenza! Prima di assemblare l'elettrotensile, assicurarsi che sia spento e scollegato dalla presa di corrente.

Montaggio dell'impugnatura laterale e del limitatore di profondità (Fig. A)

- ◆ Ruotare il manico in senso antiorario fino a quando è possibile infilare l'impugnatura laterale (6) sulla parte anteriore dell'elettrotensile.
- ◆ Ruotare l'impugnatura laterale nella posizione desiderata assicurandosi che le scanalature (6a) si incastrino nelle tacche sull'elettrotensile (5a).
- ◆ Per rilasciare e ruotare l'impugnatura farla scorrere in avanti e regolarla, quindi assicurarsi che sia riagganciata in sede prima dell'uso.
- ◆ Inserire il misuratore di profondità (non fornito) nel foro di fissaggio (7), come illustrato.
- ◆ Regolare la profondità di foratura, come descritto in seguito.
- ◆ Stringere l'impugnatura laterale ruotandola in senso orario.

Regolazione della profondità di foratura (Fig. A)

- ◆ Allentare l'impugnatura laterale (6) ruotandola in senso antiorario.
- ◆ Regolare il misuratore di profondità (non fornito) nella posizione desiderata. La profondità di foratura massima equivale alla distanza tra l'estremità appuntita della punta del trapano e l'estremità anteriore del misuratore di profondità.

- ◆ Stringere l'impugnatura laterale ruotandola in senso orario.

Montaggio degli accessori (Fig. B)

- ◆ Allentare il mandrino portapunta ruotando la ghiera (5) in senso antiorario.
- ◆ Inserire lo stelo della punta (8) nel mandrino portapunta.
- ◆ Stringere il mandrino portapunta ruotando la ghiera in senso orario.

Uso

Avvertenza! Lasciare che l'elettrotensile funzioni al proprio ritmo. Non sovraccaricarlo.

Avvertenza! Prima di forare pareti, pavimenti o soffitti, controllare l'ubicazione di fili e tubazioni.

Accensione e spegnimento (Fig. C)

- ◆ Per accendere l'elettrotensile, premere l'interruttore di azionamento a velocità variabile (1). La velocità dell'elettrotensile dipende dalla pressione esercitata sull'interruttore.
- ◆ Per il funzionamento in modalità continua premere il pulsante di blocco di sicurezza (2) e rilasciare l'interruttore di azionamento a velocità variabile. Questa opzione non funziona nella modalità di rotazione all'indietro.
- ◆ Per spegnere l'elettrotensile, rilasciare l'interruttore di azionamento a velocità variabile.
- ◆ Per spegnere l'elettrotensile funzionante in modalità continua premere l'interruttore di azionamento a velocità variabile una seconda volta, quindi rilasciarlo.

Selezione della direzione di rotazione (Fig. D)

Per lavori di foratura e per serrare delle viti utilizzare la direzione di rotazione in avanti (in senso orario). Per allentare delle viti o rimuovere una punta inceppata utilizzare la direzione di rotazione all'indietro (in senso antiorario).

- ◆ Per selezionare la rotazione in avanti, spingere il cursore di controllo rotazione avanti/indietro (3) verso sinistra.
- ◆ Per selezionare la rotazione indietro, spingere il cursore di controllo rotazione avanti/indietro verso destra.

Avvertenza! Non cambiare la direzione di rotazione se il motore è in funzione.

Selezione della modalità operativa (Fig. E)

- ◆ Per la foratura a impulsi nelle murature e nel calcestruzzo, regolare il selettore della modalità operativa (4) sulla posizione **T**.
- ◆ Per la foratura di acciaio, legno e plastica e per stringere o allentare viti, regolare il selettore della modalità operativa (4) sulla posizione **1**.

Accessori

Le prestazioni dell'elettrotensile dipendono dall'accessorio usato. Gli accessori Stanley FatMax sono fabbricati secondo

standard qualitativi elevati e sono stati progettati per ottenere le migliori prestazioni dall'elettrotensile. Utilizzando questi accessori si otterrà il meglio dall'elettrotensile.

Manutenzione

Questo apparecchio/elettrotensile Stanley FatMax con o senza filo è stato progettato per funzionare a lungo con una manutenzione minima. Prestazioni sempre soddisfacenti dipendono da una cura appropriata e da una pulizia regolare.

- ◆ Spegner e scollegare l'apparecchio/elettrotensile dalla presa elettrica.
- ◆ Oppure spegnere ed estrarre la batteria se l'apparecchio/elettrotensile è dotato di una batteria separata.
- ◆ Oppure scaricare completamente la batteria se è di tipo integrale, quindi spegnerlo.
- ◆ Scollegare il caricabatterie dalla spina prima di pulirlo. Il caricabatterie non richiede nessuna manutenzione, ad eccezione di una regolare pulizia.
- ◆ Pulire regolarmente le prese di ventilazione dell'apparecchio/elettrotensile/alimentatore con un pennello o con un panno morbido e asciutto.
- ◆ Il vano del motore deve essere pulito regolarmente con un panno umido. Non usare materiali abrasivi o detergenti a base di solventi.
- ◆ Aprire regolarmente il mandrino portapunta (se in dotazione) e batterlo leggermente per eliminare la polvere dall'interno.

Protezione dell'ambiente



Raccolta differenziata. I prodotti e le batterie contrassegnati con questo simbolo non devono essere smaltiti con i rifiuti domestici normali.

Essi contengono materiali che possono essere recuperati o riciclati riducendo la richiesta di materie prime.

Riciclare i prodotti elettrici e le batterie attenendosi alle disposizioni locali vigenti.

Ulteriori informazioni sono disponibili all'indirizzo

www.2helpU.com.

Dati tecnici

FMEH750 (Tipo 1)		
Tensione in ingresso	V_{AC}	230
Velocità a vuoto	min^{-1}	0 ~ 3200
Impulsi/minuto	min^{-1}	0 ~ 54400
Peso	kg	1,95
Capacità di foratura max.		
Calcestruzzo	mm	16
Acciaio	mm	13
Legno	mm	32

Livello di pressione sonora misurato in base a EN 60745:

Pressione sonora (L_{pA}) 101 dB(A), incertezza (K) 3 dB(A)

Potenza sonora (L_{WA}) 112 dB(A), incertezza (K) 3 dB(A)

Valori di emissione di vibrazioni totali (somma vettoriale triassiale) in conformità alla norma EN 60745:

Foratura a impulsi ($a_{h,eq}$) 14,6 m/s^2 , incertezza (K) 1,5 m/s^2

Foratura di metallo ($a_{h,eq}$) 3,8 m/s^2 , incertezza (K) 1,5 m/s^2

Dichiarazione di conformità CE

DIRETTIVA MACCHINE

FMEH750 Trapano/avvitatore a impulsi

Stanley Europe dichiara che i prodotti descritti al capitolo "Dati tecnici" sono conformi a:
EN60745-1:2009+A11:2010, EN60745-2-1:2010.



Questi prodotti inoltre sono conformi alle Direttive 2014/30/UE, 2006/42/CE e 2011/65/UE.

Per maggiori informazioni contattare Black & Decker al seguente indirizzo oppure consultare l'ultima di copertina del manuale.

Il sottoscritto è responsabile della compilazione del documento tecnico e rende questa dichiarazione per conto di Stanley FatMax.

R. Laverick

Direttore tecnico

Stanley Europe, Egide Walschaertsstraat14-18,

2800 Mechelen, Belgio

19/02/2018

Garanzia

Stanley FatMax è sicura della qualità dei propri prodotti e offre ai consumatori una garanzia di 12 mesi dalla data di acquisto. Il presente certificato di garanzia è complementare ai diritti legali e non li pregiudica in alcun modo. La garanzia è valida entro i territori degli Stati membri dell'Unione Europea e entro i confini dell'area europea di libero scambio.

Per attivare la garanzia, il reclamo deve essere effettuato in accordo con i Termini e condizioni Stanley FatMax e sarà necessario presentare la prova di acquisto al venditore o all'agente riparatore autorizzato. I Termini e condizioni della garanzia Stanley FatMax di 1 anno e la sede del tecnico riparatore autorizzato più vicino sono consultabili online sul sito web www.2helpU.com oppure contattando la sede Stanley FatMax di zona all'indirizzo indicato in questo manuale.

Visitare il nostro sito web www.stanley.eu/3 per registrare il prodotto Stanley FatMax appena acquistato e ricevere gli aggiornamenti su nuovi prodotti e offerte speciali.

- b. **Werk niet met elektrisch gereedschap in explosieve omgevingen, zoals in de aanwezigheid van brandbare vloeistoffen en gasen of brandbaar stof.** In elektrisch gereedschap kunnen vonken ontstaan die het stof of de dampen kunnen doen ontbranden.
- c. **Houd kinderen en omstanders op afstand wanneer u met elektrisch gereedschap werkt.** Wanneer u wordt afgeleid, zou u de controle over het gereedschap kunnen verliezen.

2. Elektrische veiligheid

- a. **De stekker van het gereedschap moet geschikt zijn voor het stopcontact.** Pas nooit de stekker op welke manier dan ook aan. Gebruik niet geen verloopstekkers bij geaard elektrisch gereedschap. Originele stekkers en bijpassende stopcontacten verminderen het risico van een elektrische schok.
- b. **Vermijd contact met geaarde oppervlakken, zoals leidingen, radiatoren, fornuizen en koelkasten.** Er is een groter risico van elektrische schok als uw lichaam contact heeft met aarde.
- c. **Stel het elektrische gereedschap niet bloot aan regen of natte omstandigheden.** Water dat het gereedschap binnendringt, verhoogt het risico van een elektrische schok.
- d. **Behandel het snoer voorzichtig. Gebruik het snoer nooit om het gereedschap te dragen of te slepen of om de stekker uit het stopcontact te trekken.** Houdt het snoer uit de buurt van warmtebronnen, olie, scherpe randen en bewegende onderdelen. Beschadigde of verwarde snoeren verhogen het risico van een elektrische schok.
- e. **Gebruik, wanneer u buiten met elektrisch gereedschap werkt, een verlengsnoer dat geschikt is voor gebruik buitenshuis.** Gebruik van een geschikt verlengsnoer vermindert het risico van een elektrische schok.
- f. **Als het werken met elektrisch gereedschap op een vochtige locatie onvermijdelijk is, maak dan gebruik van een met een reststroomschakelaar (Residual Current Device - RCD) beveiligde voeding.** Met een RCD wordt het risico van een elektrische schok beperkt.

(Vertaling van de originele instructies)

Bedoeld gebruik

De Stanley Fat Max Slagboor FMEH750 is ontworpen voor het boren in hout, metaal, kunststoffen en metselwerk, en kan ook worden toegepast als schroevendraaier. Dit gereedschap is bedoeld voor professioneel en particulier, niet-professioneel gebruik.

Veiligheidsinstructies Algemene waarschuwingen voor de veiligheid bij gebruik van elektrisch gereedschap



Waarschuwing! Lees alle veiligheidsaanwijzingen en alle instructies. Wanneer u geen gevolg geeft aan de waarschuwingen en instructies, die hieronder worden vermeld, kan dat leiden tot elektrische schok, brand en/of ernstig persoonlijk letsel.

Bewaar alle waarschuwingen en instructies, zodat u ze later ook kunt raadplegen. De term "elektrisch gereedschap" in de waarschuwingen verwijst naar elektrisch gereedschap met netvoeding (met snoer) of elektrisch gereedschap dat werkt op een accu (snoerloos).

1. Veiligheid van de werkplek

- a. **Houd uw werkomgeving schoon en goed verlicht.** Op rommelige of donkere plekken zullen sneller ongelukken gebeuren.

3. Persoonlijke veiligheid

- a. **Blijf alert, kijk wat u doet en gebruik uw gezond verstand wanneer u met dit elektrische gereedschap werkt.** Gebruik elektrisch gereedschap niet wanneer u moe bent of onder invloed van verdovende middelen, alcohol of medicatie. Een ogenblik van onoplettendheid tijdens het werken met elektrisch gereedschap kan leiden tot ernstig persoonlijk letsel.
- b. **Gebruik een uitrusting voor persoonlijke bescherming. Draag altijd oogbescherming.**

Beschermende uitrusting, zoals een stofmasker, anti-slip schoenen, een helm en gehoorbescherming die onder de juiste omstandigheden worden gebruikt, zal persoonlijk letsel beperken.

- c. **Voorkom dat het gereedschap onbedoeld wordt gestart. Controleer dat de schakelaar in de uit-stand staat en sluit dan pas de stroomvoorziening aan en/of plaats dan pas een accu, pak dan pas het gereedschap op en draag dan pas het gereedschap.** Elektrisch gereedschap dragen met uw vinger op de schakelaar of de stroomvoorziening inschakelen van elektrisch gereedschap dat is ingeschakeld, is vragen om ong lukken.
- d. **Schakel het elektrisch gereedschap pas in wanneer u een stelsleutel of steeksleutel hebt verwijderd.** Een steeksleutel of een stelsleutel die aan een draaiend deel van het elektrisch gereedschap is bevestigd, kan persoonlijk letsel veroorzaken.
- e. **Reik niet buiten uw macht. Houd altijd uw voeten goed aan de grond en bewaar te allen tijde uw evenwicht.** Hierdoor kunt u het elektrisch gereedschap beter controleren in onverwachte situaties.
- f. **Draag de juiste kleding. Draag geen losse kleding en geen sieraden. Houd uw haar, kleding en handschoenen weg bij draaiende onderdelen.** Losse kleding, sieraden en lang haar kunnen in bewegende onderdelen verstrikt raken.
- g. **Als er apparaten worden geleverd voor aansluiting van stofafzuiging en -verzameling, zorg er dan voor dat deze worden aangesloten en goed worden gebruikt.** Het gebruik van stofafzuiging kan stof-gerelateerde gevaren beperken.

4. Gebruik en verzorging van elektrisch gereedschap

- a. **Oefen niet te veel kracht uit op het elektrisch gereedschap. Gebruik het juiste elektrische gereedschap voor de toepassing.** Het juiste elektrische gereedschap zal de taak beter en veiliger uitvoeren wanneer het wordt gebruikt op de snelheid waarvoor het is ontworpen.
- b. **Gebruik het gereedschap niet als de aan/uit-schakelaar niet goed werkt. Elektrisch gereedschap dat niet kan worden bediend met de aan/uit-schakelaar is gevaarlijk en moet worden gerepareerd.**
- c. **Trek de stekker uit het stopcontact en/of neem de accu uit het elektrisch gereedschap en voer vervolgens pas aanpassingen uit, wissel dan pas accessoires en berg het gereedschap dan pas op.** Zulke preventieve veiligheidsmaatregelen beperken het risico dat het elektrisch gereedschap per ongeluk wordt gestart.
- d. **Berg elektrisch gereedschap dat niet wordt gebruikt, op buiten bereik van kinderen en sta niet toe dat**

personen die onbekend zijn met het gereedschap of deze instructies met het gereedschap werken.

- e. **Onderhoudelektrisch gereedschap goed. Controleer het op verkeerde uitlijning of het aanlopen van bewegende onderdelen, breuk van onderdelen en iedere andere conditie die van invloed kan zijn op de werking ervan.** Als het gereedschap is beschadigd, laat het dan repareren voordat u het weer gebruikt. Veel ongelukken worden veroorzaakt door slecht onderhouden elektrisch gereedschap.
- f. **Houd snij- en zaaggereedschap scherp en schoon.** Goed onderhouden zaaggereedschap met scherpe snijvlakken zal minder snel vastlopen en is gemakkelijker onder controle te houden.
- g. **Gebruik het elektrisch gereedschap, de accessoires en bijtes, enz. in overeenstemming met deze instructies, waarbij u rekening houdt met de werkcondities en het werk dat moet worden uitgevoerd.** Gebruik van het elektrisch gereedschap voor andere werkzaamheden dan bedoeld kan leiden tot gevaarlijke situaties.

5. Service

- a. **Laat uw elektrisch gereedschap nazien door een gekwalificeerde monteur die alleen identieke vervaagende onderdelen gebruikt.** Zo is gewaarborgd dat de veiligheid van het elektrisch gereedschap behouden blijft.

Aanvullende veiligheidswaarschuwingen voor gebruik van elektrisch gereedschap



Waarschuwing! Aanvullende veiligheidswaarschuwingen voor boren en slagboren.

- ◆ Draag gehoorbescherming wanneer u werkt met slagboren. Blootstelling aan lawaai kan gehoorbeschadiging veroorzaken.
- ◆ Gebruik de hulphandgrepen die bij het gereedschap worden geleverd. Verlies van controle kan persoonlijk letsel tot gevolg hebben.
- ◆ Houd het elektrisch gereedschap vast bij de geïsoleerde greepoppervlakken wanneer u werkzaamheden uitvoert waarbij het zaagaccessoire verborgen bedrading kan raken. Wanneer het zaagaccessoire in contact komt met bedrading waar spanning op staat, kan er spanning komen te staan op de metalen delen van het elektrisch gereedschap en kan de gebruiker een elektrische schok krijgen.
- ◆ Gebruik nooit een beitelaccessoire in de roterende stand. Het accessoire zal vastlopen in het materiaal en daardoor zal de boor ronddraaien.

- ◆ Zet met klemmen of op een andere praktische wijze het werkstuk vast en ondersteunen het op een stabiele ondergrond. Wanneer u het werkstuk met de hand vasthoudt of het tegen uw lichaam drukt, kan het instabiel worden en kunt u de controle verliezen.
- ◆ Controleer, voordat u in wanden, vloeren of plafonds boort, de locatie op de aanwezigheid van bedrading of leidingen.
- ◆ Raak de punt van het boortje niet vlak na het boren aan, omdat het heet kan zijn.
- ◆ Het is niet de bedoeling dat dit gereedschap wordt gebruikt door personen (waaronder kinderen) met verminderde, fysieke, zintuiglijke of psychische vermogens, of men een gebrek aan ervaring of kennis, tenzij zij toezicht krijgen of instructies over het gebruik van het apparaat van iemand die verantwoordelijk is voor hun veiligheid. Er moet toezicht op kinderen worden gehouden zodat zij niet met het apparaat kunnen spelen.
- ◆ Het bedoelde gebruik wordt in deze instructiehandleiding beschreven. Het gebruik van een accessoire of hulpstuk of uitvoering van een handeling met dit gereedschap dat/die niet in deze instructiehandleiding wordt aanbevolen, kan een risico van persoonlijk letsel en/of materiële schade inhouden.
- ◆ Gebruik een gezichtsmasker of een stofmasker wanneer de werkzaamheden stof of rondvliegende deeltjes kunnen produceren.

Veiligheid van anderen

- ◆ Het is niet de bedoeling dat dit apparaat wordt gebruikt door personen (waaronder kinderen) met verminderde, fysieke, zintuiglijke of psychische vermogens, of men een gebrek aan ervaring of kennis, tenzij zij toezicht krijgen of instructies over het gebruik van het apparaat van iemand die verantwoordelijk is voor hun veiligheid.
- ◆ Er moet toezicht op kinderen worden gehouden zodat zij niet met het apparaat kunnen spelen.

Overige risico's

Er kunnen zich nog meer risico's voordoen wanneer het gereedschap wordt gebruikt en de bijgesloten veiligheidsaanschuivingen niet in acht worden genomen. Deze risico's kunnen ontstaan door verkeerd gebruik, langdurig gebruik, enz. Zelfs wanneer de relevante veiligheidsvoorschriften worden toegepast en veiligheidsvoorzieningen worden geïmplementeerd, kunnen bepaalde risico's niet worden voorkomen. Dit zijn onder meer:

- ◆ Verwondingen veroorzaakt doordat roterende/bewegende onderdelen worden aangeraakt.
- ◆ Verwondingen die worden veroorzaakt bij het wisselen van onderdelen, zaagbladen of accessoires.
- ◆ Verwondingen die worden veroorzaakt door langdurig gebruik van het gereedschap. Wanneer u gereedschap

langdurig gebruikt, is het belangrijk dat u regelmatig pauzes inlast.

- ◆ Beschadiging van het gehoor.
- ◆ Gezondheidsrisico's die worden veroorzaakt door het inademen van stof dat ontstaat bij het gebruik van het gereedschap (bijvoorbeeld: werken met hout, vooral eikenhout, beukenhout en MDF).

Trilling

De verklaarde waarden voor trillingsemissies die worden vermeld in de technische gegevens en de verklaring van conformiteit, zijn gemeten in overeenstemming met een standaard testmethode die door EN 60745 wordt verstrekt, en die kan worden gebruikt voor het vergelijken van het ene gereedschap met het andere. De vermelde waarde voor trillingsemissie kan ook worden gebruikt voor een voorlopige beoordeling van blootstelling.

Waarschuwing! De waarde voor trillingsemissie tijdens het feitelijke gebruik van het elektrische gereedschap kan verschillen van de vermelde waarde, afhankelijk van de manieren waarop het gereedschap wordt gebruikt. Het trillingsniveau kan toenemen tot boven het vermelde niveau.

Wanneer de blootstelling aan trillingen wordt beoordeeld met het doel te bepalen welke veiligheidsmaatregelen worden vereist door 2002/44/EC voor het beschermen van personen die tijdens hun werk regelmatig elektrisch gereedschap gebruiken, moet een schatting van de blootstelling aan trillingen in overweging nemen de feitelijke condities waarin en de manier waarop het gereedschap wordt gebruikt, waarbij ook rekening moet worden gehouden met alle onderdelen van de bedrijfscyclus, zoals de tijden dat het gereedschap is uitgeschakeld en wanneer het stationair loopt, in aanvulling op de ingeschakelde tijd.

Labels op het gereedschap

Naast de datumcode worden de volgende pictogrammen op het gereedschap getoond:



Waarschuwing! De gebruiker moet de instructiehandleiding lezen zodat het risico van letsel wordt beperkt.



Draag gehoorbescherming wanneer u werkt met slagboren. Blootstelling aan lawaai kan gehoorbeschadiging veroorzaken.

Elektrische veiligheid



Dit gereedschap is dubbel geïsoleerd, daarom is een aarddraad niet nodig. Controleer altijd dat de stroomvoorziening in overeenstemming is met de spanning op het typeplaatje.

- ◆ Is het netsnoer beschadigd, dan moet het worden vervangen door de fabrikant, of een erkend Stanley FatMax Servicecentrum, zodat een gevaarlijke situatie wordt vermeden.

Funcities

Dit gereedschap omvat enkele of alle van de volgende functies.

1. Schakelaar voor variabele snelheid
2. Schakelaar voor vergrendeling in de Aan-stand
3. Schakelaar vooruit/achteruit
4. Selectieschakelaar voor de boorstand
5. Boorkop met dubbele kraag
6. Zijhandgreep
7. Gat voor dieptemeter

Montage

Waarschuwing! Controleer voordat u het gereedschap in elkaar zet, dat het is uitgeschakeld en de stekker uit het stopcontact is.

De zijhandgreep en de dieptestop bevestigen (afb. A)

- ◆ Draai de greep naar links tot u de zijhandgreep (6) naar de voorzijde van het gereedschap kunt schuiven.
- ◆ Draai de zijhandgreep in de gewenste positie en let er daarbij op dat de inkepingen (6a) over de nokken op het gereedschap vallen (5a).
- ◆ U kunt de handgreep losmaken en draaien door deze naar voren te schuiven en aan te passen en let er dan vervolgens op dat de handgreep voor gebruik weer vast komt te zitten op de nokken.
- ◆ Steek de dieptemeter (niet bijgeleverd), in het montagegat (7), zoals wordt getoond.
- ◆ Stel de boordiepte in zoals hieronder wordt beschreven.
- ◆ Zet de zijhandgreep vast door de handgreep naar rechts te draaien.

De boordiepte instellen (afb. A)

- ◆ Zet de zijhandgreep (6) los door de greep naar links te draaien.
- ◆ Zet de dieptemeter (niet bijgeleverd) in de gewenste positie. De maximale boordiepte is gelijk aan de afstand tussen de punt van het boortje en de voorzijde van de dieptemeter.
- ◆ Zet de zijhandgreep vast door de handgreep naar rechts te draaien.

Een accessoire bevestigen (afb. B)

- ◆ Open de boorkop door de kraag (5) naar links te draaien.
- ◆ Plaats de as (8) van het boortje in de boorkop.
- ◆ Zet de boorkop vast door de kraag naar rechts te draaien.

Gebruik

Waarschuwing! Laat het gereedschap op z'n eigen snelheid werken. Overbelast het niet.

Waarschuwing! Controleer, voordat u in wanden, vloeren of plafonds boort, de locatie op de aanwezigheid van bedrading of leidingen.

In- en uitschakelen (afb. C)

- ◆ U kunt het gereedschap inschakelen door op de schakelaar (1) voor variabele snelheid te drukken. De snelheid van het gereedschap hangt af van hoe ver u de schakelaar indrukt.
- ◆ U kunt het gereedschap zonder onderbreking laten werken door op de knop (2) voor vergrendeling in de Aan-stand te drukken en de schakelaar voor variabele snelheid los te laten. Deze optie werkt niet bij rotatie achteruit.
- ◆ U kunt het gereedschap uitschakelen door de schakelaar voor variabele snelheid los te laten. U kunt het gereedschap uitschakelen wanneer het zonder onderbreking werkt, door één keer op de schakelaar voor variabele snelheid te drukken en de schakelaar los te laten.

De richting van rotatie selecteren (afb. D)

Gebruik voor boren en vastzetten van schroeven rotatie vooruit (naar rechts). Gebruik rotatie achteruit (naar links) voor het losdraaien van schroeven of het verwijderen van een vastgelopen boortje.

- ◆ Duw voor rotatie vooruit de schuifknop vooruit/achteruit (3) naar links.
- ◆ Duw voor rotatie achteruit de schuifknop vooruit/achteruit naar rechts.

Waarschuwing! Wijzig nooit de richting van de rotatie terwijl de motor loopt.

De boorstand selecteren (afb. E)

- ◆ Zet voor slagboren in metselwerk en beton de selectieschakelaar (4) voor de boorstand in de stand **T**.
- ◆ Zet voor het boren in staal, hout en kunststoffen of voor het indraaien van schroeven de selectieschakelaar (4) in de stand **1**.

Accessoires

De prestaties van het gereedschap zijn afhankelijk van het accessoire dat u gebruikt. Stanley Fat Max-accessoires zijn geconstrueerd volgens hoge kwaliteitsnormen en ontworpen met het doel de prestaties van het gereedschap te verbeteren. Door deze accessoires te gebruiken bereikt u de beste resultaten met uw gereedschap.

Onderhoud

Het Stanley Fat Max-apparaat/gereedschap is ontworpen om gedurende lange tijd zijn werk te doen met een minimum aan onderhoud. Voortdurend gebruik naar tevredenheid

van de gebruiker is afhankelijk van de juiste verzorging en regelmatige reiniging van het gereedschap.

- ◆ Schakel het apparaat/gereedschap uit en trek de stekker uit het stopcontact.
- ◆ Of schakel het gereedschap uit en neem de accu uit het apparaat/gereedschap als het apparaat/gereedschap een aparte accu heeft.
- ◆ Of gebruik de accu tot deze geheel leeg is, als de accu een integraal onderdeel van het gereedschap uitmaakt, en schakel het gereedschap vervolgens uit.
- ◆ Trek de stekker van de lader uit het stopcontact voordat u begint met schoonmaken. De lade vraagt geen onderhoud behalve regelmatige reiniging.
- ◆ Reinig regelmatig de ventilatie-openingen van het apparaat/het gereedschap/de lader met een zachte borstel of een droge doek.
- ◆ Reinig regelmatig de motorbehuizing met een vochtige doek. Gebruik niet een schuurmiddel of een reinigingsmiddel op basis van een oplosmiddel.
- ◆ Open regelmatig de boorkop (wanneer deze is gemonteerd) en tik erop zodat eventueel stof eruit valt.

Het milieu beschermen



Separate inzameling. Producten en accu's die voorzien zijn van dit symbool mogen niet bij het gewone huishoudelijke afval worden weggegooid.

Producten en accu's bevatten materialen die kunnen worden teruggewonnen of gerecycled waardoor de vraag naar ruwe grondstoffen wordt vermindert.

Recycle elektrische producten en accu's volgens de ter plaatse geldende bepalingen.

Verdere informatie is verkrijgbaar op www.2helpU.com

Technische gegevens

FMEH750 (Type 1)		
Ingangsspanning	V_{AC}	230
Snelheid onbelast	min^{-1}	0 ~ 3200
Slagfrequentie	min^{-1}	0 ~ 54400
Gewicht	kg	1.95
Maximale boorcapaciteit		
Beton	mm	16
Staal	mm	13
Hout	mm	32

Niveau van de geluidsdruk volgens EN 60745:

Geluidsdruk (L_{pA}) 101 dB(A), onzekerheid (K) 3 dB(A)

Geluidsdruk (L_{WA}) 112 dB(A), onzekerheid (K) 3 dB(A)

Totale vibratiewaarden (triax vectorsom) volgens EN 60745:

Slagboren in beton ($a_{h,10}$) 14,6 m/s^2 , onzekerheid (K) 1,5 m/s^2

Boren in metaal ($a_{h,v}$) 3,8 m/s^2 , onzekerheid (K) 1,5 m/s^2

EG-conformiteitsverklaring

MACHINERICHTLIJN

FMEH750 Slagboor

Stanley Europe verklaart dat deze producten beschreven onder "technische gegevens" voldoen aan:



EN60745-1:2009+A11:2010, EN60745-2-1:2010.

Deze producten voldoen ook aan de richtlijn 2014/30/EU, 2006/42/EC en 2011/65/EU.

Neem voor meer informatie contact op met Black & Decker op het volgende adres of raadpleeg de achterzijde van de handleiding.

Ondergetekende is verantwoordelijk voor de samenstelling van het technische dossier en doet deze verklaring namens

Stanley FatMax.

R. Laverick

Director of Engineering

Stanley Europe, Egide Walschaertsstraat 14-18,

2800 Mechelen, België

19/02/2018

Garantie

Stanley Fat Max vertrouwt op de kwaliteit van zijn producten en biedt consumenten een garantie van 12 maanden vanaf de aankoopdatum. Deze garantie is een aanvulling op uw wettelijke rechten en treedt op geen enkele wijze in de plaats daarvan. De garantie is geldig in de gebieden van de Lidstaten van de Europese Unie en het Europese Vrijhandelsgebied.

U kunt aanspraak maken op de garantie door de aanspraak op te stellen in overeenstemming met de voorwaarden en condities van Stanley Fat Max en u moet de verkoper of een erkend reparatiemonteur een aankoopbewijs overleggen. De voorwaarden en condities van de Stanley Fat Max-garantie van 1 jaar en de vestiging van de dichtstbijzijnde erkende reparatiemonteur kunt u opvragen op internet via www.2helpU.com, of door contact op te nemen met het Stanley Fat Max-kantoor ter plaatse, op het adres dat in deze handleiding wordt vermeld.

Bezoek onze website www.stanley.eu/3, registreer uw nieuwe Stanley Fat Max-product en ontvang updates over nieuwe producten en speciale aanbiedingen.

Uso previsto

Su taladradora de impacto Stanley Fat Max FMEH750 está diseñada para taladrar madera, metal, plástico y albañilería y también para atornillar. Estas herramientas han sido concebidas para usuarios profesionales y para usuarios particulares no profesionales.

Instrucciones de seguridad Advertencias generales de seguridad para las herramientas eléctricas



¡Advertencia! Lea todas las advertencias de seguridad y todas las instrucciones. El incumplimiento de las advertencias e instrucciones indicadas a continuación puede provocar una descarga eléctrica, un incendio y/o lesiones graves.

Guarde todas las advertencias e instrucciones para poder consultarlas en el futuro. El término "herramienta eléctrica" que aparece en las advertencias se refiere a la herramienta eléctrica que funciona a través de la red eléctrica (con cable) o a la herramienta eléctrica que funciona con batería (sin cable).

1. Seguridad en la zona de trabajo

- Mantenga su área de trabajo limpia y bien iluminada.** Las áreas desordenadas u oscuras pueden provocar accidentes.
- No utilice herramientas eléctricas en atmósferas explosivas, como ambientes donde haya polvo, gases o líquidos inflamables.** Las herramientas eléctricas originan chispas que pueden inflamar el polvo o los gases.
- Mantenga alejados a los niños y a las personas que estén cerca mientras utiliza una herramienta eléctrica.** Las distracciones pueden ocasionar que pierda el control.

2. Seguridad eléctrica

- Los enchufes de las herramientas eléctricas deben corresponderse con la toma de corriente. No modifique nunca el enchufe de ninguna forma.** No utilice ningún enchufe adaptador con herramientas eléctricas conectadas a tierra. Los enchufes no modificados y las tomas de corriente correctas reducen el riesgo de descarga eléctrica.
- Evite el contacto del cuerpo con superficies conectadas a tierra como tuberías, radiadores, cocinas económicas y frigoríficos.** Existe un mayor riesgo de descarga eléctrica si tiene el cuerpo conectado a tierra.
- No exponga las herramientas eléctricas a la lluvia ni a la humedad.** Si entra agua en una herramienta eléctrica, aumenta el riesgo de descarga eléctrica.

- No use el cable de alimentación en modo inapropiado. No use nunca el cable para transportar, tirar o desenchufar la herramienta eléctrica. Mantenga el cable alejado del calor, aceite, bordes afilados y piezas en movimiento.** Los cables dañados o enredados aumentan el riesgo de descarga eléctrica.
- Cuando esté utilizando una herramienta eléctrica al aire libre, use un cable alargador adecuado para uso en exteriores.** La utilización de un cable adecuado para su uso en exteriores reduce el riesgo de descarga eléctrica.
- Si no puede evitar utilizar una herramienta eléctrica en un lugar húmedo, use un suministro protegido con un dispositivo de corriente residual.** El uso de un dispositivo de corriente residual reduce el riesgo de descarga eléctrica.

3. Seguridad personal

- Manténgase alerta, esté atento a lo que hace y use el sentido común cuando utilice una herramienta eléctrica. No utilice una herramienta eléctrica cuando esté cansado o bajo los efectos de drogas, medicamentos o alcohol.** Cualquier distracción durante el uso de herramientas eléctricas puede ocasionar lesiones personales graves.
- Use un equipo protector personal. Utilice siempre protección ocular.** El uso de equipo protector como mascarillas antipolvo, calzado antideslizante, casco o protección auditiva para condiciones apropiadas reducirá las lesiones personales.
- Evite la puesta en funcionamiento involuntaria. Asegúrese de que el interruptor esté en posición de apagado antes de conectar la fuente de alimentación y/o la batería o de levantar o transportar la herramienta.** Transportar herramientas eléctricas con el dedo puesto en el interruptor o herramientas eléctricas activadoras que tengan el interruptor encendido puede provocar accidentes.
- Saque cualquier llave de ajuste o llave inglesa antes de encender la herramienta eléctrica.** Una llave inglesa u otra llave que se deje puesta en una pieza en movimiento de la herramienta eléctrica pueden ocasionar lesiones personales.
- No alargue demasiado los brazos. Mantenga un equilibrio adecuado y la estabilidad constantemente.** Esto permite un mejor control de la herramienta eléctrica en situaciones inesperadas.
- Utilice la vestimenta adecuada. No lleve ropa suelta ni joyas. Mantenga el cabello, la ropa y los guantes alejados de las piezas en movimiento.** La ropa suelta, las joyas y el pelo largo pueden quedar atrapados en las piezas en movimiento.

- g. Si se suministran dispositivos para la conexión del equipo de extracción y recogida de polvo, asegúrese de que estén conectados y de que se usen adecuadamente. El uso de equipo de recogida de polvo puede reducir los riesgos relacionados con el polvo.
- 4. Uso y cuidado de la herramienta eléctrica**
- a. **No fuerce la herramienta eléctrica. Use la herramienta eléctrica correcta para su trabajo.** La herramienta eléctrica correcta funcionará mejor y con más seguridad si se utiliza de acuerdo con sus características técnicas.
- b. **No utilice la herramienta eléctrica si esta no puede encenderse y apagarse con el interruptor.** Cualquier herramienta eléctrica que no pueda controlarse con el interruptor es peligrosa y debe ser reparada.
- c. **Desconecte el enchufe de la fuente de alimentación y/o la batería de la herramienta eléctrica antes de realizar ajustes, cambiar accesorios o guardar las herramientas eléctricas.** Dichas medidas de seguridad preventivas reducen el riesgo de poner en marcha la herramienta eléctrica accidentalmente.
- d. **Guarde las herramientas eléctricas que no esté utilizando de forma que estén fuera del alcance de los niños y no permita que las personas que no estén familiarizadas con ella o con estas instrucciones utilicen la herramienta eléctrica.** Las herramientas eléctricas son peligrosas en manos de personas no capacitadas.
- e. **Realice el mantenimiento de las herramientas eléctricas. Compruebe si las piezas móviles están desalineadas o bloqueadas, si hay piezas rotas u otras condiciones que puedan afectar al funcionamiento de la herramienta eléctrica.** Si la herramienta eléctrica está dañada, llévela a reparar antes de utilizarla. Muchos accidentes se producen por el escaso mantenimiento de las herramientas eléctricas.
- f. **Mantenga las herramientas afiladas y limpias.** Las herramientas de corte con bordes afilados correctamente mantenidas tienen menos probabilidad de bloquearse y son más fáciles de controlar.
- g. **Use la herramienta eléctrica, los accesorios y las brocas de la herramienta, etc., de acuerdo con estas instrucciones y teniendo en cuenta las condiciones de trabajo y el trabajo que vaya a realizar.** El uso de la herramienta eléctrica para operaciones que no sean las previstas puede ocasionar una situación peligrosa.

5. Servicio

- a. **Haga reparar su herramienta eléctrica por una persona cualificada para realizar las reparaciones y que utilice únicamente piezas de repuesto originales.** Así se asegurará que se mantenga la seguridad de la herramienta eléctrica.

Advertencias de seguridad adicionales para herramientas eléctricas



¡Advertencia! Advertencias de seguridad adicionales para taladradoras y taladradoras de impacto.

- ◆ **Lleve protección acústica cuando utilice taladradoras de impacto.** La exposición ante ruidos puede provocar la pérdida de audición.
- ◆ **Utilice las asas auxiliares suministradas con la herramienta.** La pérdida de control podría provocar daños personales.
- ◆ **Sostenga la herramienta eléctrica por las superficies de agarre aisladas cuando realice una operación en la que el accesorio de corte pueda estar en contacto con un cable oculto.** El contacto de los accesorios de corte con un cable con tensión puede transmitir la tensión a las partes metálicas expuestas de la herramienta eléctrica y producir una descarga eléctrica al operador.
- ◆ **No utilice nunca un taladro de cincel en modo giratorio.** El accesorio de cincel se fijaría al material y rotaría el taladro.
- ◆ **Utilice fijaciones u otro tipo de método para fijar y apoyar la pieza de trabajo en una plataforma estable.** Si sostiene el trabajo con las manos o con su cuerpo estará inestable y podrá hacer que pierda el control.
- ◆ **Antes de taladrar las paredes, los suelos o los techos, compruebe la ubicación de los cables y las tuberías.**
- ◆ **No toque la punta de la broca de taladro justo después de taladrar ya que podría estar caliente.**
- ◆ **Esta herramienta no se destina al uso por parte de personas (incluyendo los niños) con capacidades físicas, sensoriales o mentales reducidas, o que carezcan de experiencia o del conocimiento necesario, a menos que estén supervisadas o reciban las instrucciones relativas al uso del aparato por una persona encargada de su seguridad.** Los niños deberán estar siempre vigilados para asegurarse de que no jueguen con el aparato.
- ◆ **En este manual se describe el uso previsto.** El uso de accesorios o acoplamientos o la realización de cualquier operación con esta herramienta que sean distintos de los recomendados en este manual de instrucciones puede dar lugar a lesiones personales y/o daños a la propiedad.
- ◆ **Utilice una máscara facial o de polvo si las operaciones pueden producir polvo o partículas volátiles.**

Seguridad de otras personas

- ◆ Este aparato no se destina al uso por parte de personas (incluyendo los niños) con capacidades físicas, sensoriales o mentales reducidas, o que carezcan de experiencia o del conocimiento necesario, a menos que estén

supervisados o reciban las instrucciones relativas al uso del aparato por una persona encargada de su seguridad.

- ◆ Los niños deberán estar siempre vigilados para asegurarse de que no jueguen con el aparato.

Riesgos residuales

Al utilizar la herramienta, podrían surgir riesgos residuales adicionales que no se incluyan en las advertencias de seguridad incluidas. Estos riesgos pueden surgir por un mal uso, un uso prolongado, etc.

Incluso al aplicar las normas de seguridad pertinentes y al usar los dispositivos de seguridad, existen determinados riesgos residuales que no pueden evitarse. Esto incluye:

- ◆ Lesiones provocadas por el contacto con cualquier pieza giratoria/móvil.
- ◆ Lesiones provocadas al cambiar cualquier pieza, hoja o accesorio.
- ◆ Lesiones provocadas por el uso prolongado de una herramienta. Al usar cualquier herramienta durante periodos prolongados de tiempo, asegúrese de hacer descansos con regularidad.
- ◆ Deterioro auditivo.
- ◆ Daños a la salud provocados por la respiración del polvo desarrollado al utilizar la herramienta (por ejemplo, al trabajar con madera, especialmente haya, roble y MDF).

Vibración

Los valores declarados de emisión de vibraciones indicados en los datos técnicos y la declaración de conformidad se han medido de acuerdo con un método de prueba estándar suministrado por EN 60745 y pueden utilizarse para comparar una herramienta con otra. El valor declarado de emisión de vibraciones también puede utilizarse en una evaluación preliminar de exposición.

¡Advertencia! El valor de emisión de vibraciones durante el uso real de la herramienta eléctrica puede diferir del valor declarado dependiendo de la forma de uso de la herramienta. El nivel de vibración podría aumentar por encima del nivel indicado.

Al evaluar la exposición a las vibraciones para determinar las medidas de seguridad requeridas por la Directiva 2002/44/CE para la protección de las personas que utilizan habitualmente herramientas eléctricas en su trabajo, debe tenerse en cuenta un cálculo de la exposición a vibraciones, las condiciones reales de uso y la forma de utilización de la herramienta, incluyendo todas las partes del ciclo operativo como las veces que la herramienta está apagada, cuando funciona en vacío y el tiempo de activación.

Etiquetas en la herramienta

En la herramienta se muestran los siguientes pictogramas, junto con el código de fecha:



¡Advertencia! Para reducir el riesgo de lesiones, el usuario debe leer el manual de instrucciones.



Lleve protección acústica cuando utilice taladros de impacto. La exposición ante ruidos puede provocar la pérdida de audición.

Seguridad eléctrica



Esta herramienta está doblemente aislada; por lo tanto, no es necesario ningún cable. Compruebe siempre que el voltaje suministrado corresponda al indicado en la placa de características.

- ◆ Si el cable de alimentación está dañado, debe ser sustituido por el fabricante o un centro de reparación oficial de Stanley FatMax con el fin de evitar peligros.

Características

Esta herramienta incluye alguna de las siguientes características o todas ellas.

1. Interruptor de velocidad variable
2. Botón de bloqueo
3. Botón de avance/retroceso
4. Selector de modo de taladro
5. Portabrocas de doble camisa
6. Empuñadura lateral
7. Orificio del calibrador de profundidad

Montaje

¡Advertencia! Antes del montaje, asegúrese de que la herramienta esté apagada y desconectada.

Ajuste del asa lateral y del tope de profundidad (fig. A)

- ◆ Gire el asa en sentido antihorario hasta que pueda deslizar el mango lateral (6) a la parte frontal de la herramienta.
- ◆ Rote el mango lateral a la posición deseada asegurándose de que las muescas (6a) encajan con las muescas de la herramienta (5a).
- ◆ Para liberar y girar, deslice el mango hacia delante para ajustar y, a continuación, asegúrese de que vuelve a encajar con las muescas para su uso.
- ◆ Inserte el calibre de profundidad (no incluido) en el orificio de montaje (7), tal y como se muestra.
- ◆ Ajuste la profundidad del taladro tal y como se describe más abajo.
- ◆ Apriete el mango lateral girando el asa en sentido horario.

Fijación de la profundidad de perforación (fig. A)

- ◆ Afloje el mango lateral girando el asa (6) en sentido antihorario.
- ◆ Configure el calibre de profundidad (no incluido) en la posición deseada. La profundidad máxima de taladro es igual a la distancia entre la punta de la broca de taladro y el extremo frontal del calibre de profundidad.
- ◆ Apriete el mango lateral girando el asa en sentido horario.

Conexión de un accesorio (fig. B)

- ◆ Abra el portabrocas girando la camisa (5) en sentido antihorario.
- ◆ Inserte el eje de la broca (8) en el portabrocas.
- ◆ Apriete el portabrocas girando la camisa en sentido horario.

Uso

¡Advertencia! Deje que la herramienta trabaje a su propio ritmo. No la sobrecargue.

¡Advertencia! Antes de taladrar las paredes, los suelos o los techos, compruebe la ubicación de los cables y las tuberías.

Encendido y apagado (fig. C)

- ◆ Para encender la herramienta, presione el interruptor de velocidad variable (1). La velocidad de la herramienta depende de lo lejos que presione el interruptor.
- ◆ Pulse el botón de bloqueo (2) para un funcionamiento continuo y suelte el interruptor de velocidad variable. Esta opción no funciona en giro inverso.
- ◆ Para apagar la herramienta, suelte el interruptor de velocidad variable.
- ◆ Para apagar la herramienta durante el funcionamiento continuo, pulse brevemente el interruptor de velocidad variable y suéltelo.

Selección de la dirección de la rotación (fig. D)

Para taladrar y apretar los tornillos, utilice la rotación hacia delante (en sentido horario). Para aflojar los tornillos o quitar una punta de broca atascada, utilice la rotación inversa (en sentido antihorario).

- ◆ Para seleccionar la rotación hacia delante, presione la corredera delantera/trasera (3) hacia la izquierda.
- ◆ Para seleccionar la rotación hacia atrás, presione la corredera delantera/trasera hacia la derecha.

¡Advertencia! No cambie nunca la dirección de rotación mientras el motor esté funcionando.

Selección del modo de taladro (fig. E)

- ◆ Para efectuar taladros de impacto en albañilería y cemento, ajuste el selector de modo de taladro (4) a la posición **T**.
- ◆ Para taladrar en acero, madera y plástico, o para atornillar, configure el selector de modo de funcionamiento (4) a la posición **1**.

Accesorios

El rendimiento de su herramienta depende de los accesorios utilizados. Los accesorios de Stanley Fat Max se han creado con estándares de alta calidad y están diseñados para mejorar el rendimiento de su herramienta. Al utilizar estos accesorios, obtendrá lo mejor de su herramienta.

Mantenimiento

Su herramienta inalámbrica Stanley Fat Max ha sido diseñada para funcionar durante mucho tiempo con un mantenimiento mínimo. El funcionamiento satisfactorio continuo depende del buen cuidado de la herramienta y de una limpieza frecuente.

- ◆ Apague y desconecte el aparato/la herramienta.
- ◆ O apague y retire la batería del aparato/herramienta si el aparato/herramienta tiene un paquete de baterías independientes.
- ◆ O agote totalmente la batería, si es de una pieza, y después apáguela.
- ◆ Desenchufe el cargador antes de limpiarlo. El cargador no requiere ningún mantenimiento, salvo la limpieza periódica.
- ◆ Limpie periódicamente las ranuras de ventilación de su aparato/herramienta/cargador con un cepillo suave o un paño seco.
- ◆ Limpie periódicamente la carcasa del motor con un paño húmedo. No utilice discos abrasivos o limpiadores a base de solvente.
- ◆ Abra habitualmente el portabrocas y golpéelo ligeramente para eliminar cualquier resto de polvo del interior (cuando esté colocado).

Protección del medioambiente



Recogida selectiva. Los productos y baterías marcadas con este símbolo no deben eliminarse con la basura normal.

Los productos y las baterías contienen materiales que pueden ser recuperados o reciclados, reduciendo así el uso de materias primas.

Por favor, recicle los productos eléctricos y las baterías de acuerdo con la normativa local.

Puede obtener más información en www.2helpU.com

Datos técnicos

FMEH750 (Tipo 1)		
Voltaje de entrada	V_{AC}	230
Velocidad en vacío	min^{-1}	0 ~ 3200
Frecuencia de impacto	min^{-1}	0 ~ 54400
Peso	kg	1.95

Capacidad máx. de taladrado		
Hormigón	mm	16
Acero	mm	13
Madera	mm	32

Nivel de presión acústica según EN 60745:	
Presión acústica (L_{pA})	101 dB(A), incertidumbre (K) 3 dB(A)
Potencia acústica (L_{WA})	112 dB(A), incertidumbre (K) 3 dB(A)

Valores totales de vibración (suma de vectores teniendo en cuenta los tres ejes) de acuerdo con la norma EN 60745:	
Taladro de impacto en cemento ($a_{h,v}$)	14,6 m/s^2 , incertidumbre (K) 1,5 m/s^2
Taladro de impacto en metal ($a_{h,v}$)	3,8 m/s^2 , incertidumbre (K) 1,5 m/s^2

reparación. Puede consultar las Condiciones de la garantía de 1 año de Stanley Fat Max y la ubicación más cercana de su centro oficial de reparación en www.2helpU.com o contactando con su oficina local de Stanley Fat Max en la dirección indicada en este manual.

Visite nuestra página web www.stanley.eu/3 para registrar su nuevo producto Stanley Fat Max y recibir noticias de nuevos productos y ofertas especiales.

Declaración de conformidad CE
DIRECTIVA SOBRE MÁQUINAS



FMEH750 Taladradora de impacto

Stanley Europe declara que los productos descritos en "datos técnicos" son conformes a las siguientes normas:
EN60745-1:2009+A11:2010, EN60745-2-1:2010.

Estos productos son conformes también a las directivas
2014/30/UE, 2006/42/CE y 2011/65/UE.

Si desea más información, póngase en contacto con
Black & Decker en la dirección indicada a continuación o bien
consulte la parte posterior de este manual.

El que suscribe es responsable de la compilación del archivo
técnico y realiza esta declaración en representación de
Stanley FatMax.

R. Laverick
Director de ingeniería
Stanley Europe, Egide Walschaertsstraat 14-18,
2800 Mechelen, Bélgica
19/02/2018

Garantía

Stanley Fat Max confía en la calidad de sus productos y ofrece a los consumidores una garantía de 12 meses a partir de la fecha de compra. Esta garantía es complementaria y en ningún caso afectará a sus derechos estatutarios. La garantía es válida dentro de los territorios de los Estados Miembros de la Unión Europea y del Área de Libre Comercio Europea.

Para reclamar la garantía, la reclamación debe cumplir las Condiciones de Stanley Fat Max y usted deberá remitir el comprobante de la compra al vendedor o al centro oficial de

Utilização pretendida

A perfuradora de impacto Stanley Fat Max FMEH750 foi concebida para perfurar madeira, metal, plástico e alvenaria, assim como para aplicações profissionais de aparafusamento. Estas ferramentas são concebidas para utilizadores profissionais e privados, não profissionais.

Instruções de segurança Avisos de segurança gerais relativos a ferramentas eléctricas



Atenção! Leia todos os avisos de segurança e todas as instruções. O não seguimento dos avisos e das instruções indicados abaixo poderá resultar em choque eléctrico, incêndio e/ou ferimentos graves.

Guarde todos os avisos e instruções para futura referência. Em todos os avisos que se seguem, o termo "ferramenta eléctrica" refere-se à sua ferramenta alimentada pela rede eléctrica (com fios) ou por uma bateria (sem fios).

1. Segurança na área de trabalho

- Mantenha a área de trabalho limpa e bem iluminada.** As áreas desorganizadas ou escuras são propensas a acidentes.
- Não utilize as ferramentas eléctricas em ambientes explosivos, como, por exemplo, na presença de líquidos, gases ou poeiras inflamáveis.** As ferramentas eléctricas criam faíscas que poderão inflamar estas poeiras ou vapores.
- Mantenha crianças e outras pessoas à distância quando utilizar a ferramenta eléctrica.** As distrações podem levar à perda do controlo da ferramenta.

2. Segurança eléctrica

- As fichas das ferramentas eléctricas têm de ser compatíveis com a tomada de electricidade. Nunca modifique a ficha de forma alguma.** Não utilize fichas adaptadoras com ferramentas eléctricas ligadas à terra. As fichas não modificadas e as tomadas compatíveis reduzem o risco de choque eléctrico.
- Evite o contacto corporal com superfícies e equipamentos ligados à terra, como, por exemplo, tubagens, radiadores, fogões e frigoríficos.** Se o seu corpo estiver "ligado" à terra, o risco de choque eléctrico é maior.
- Não exponha as ferramentas eléctricas à chuva ou a condições de humidade.** A entrada de água numa ferramenta eléctrica aumenta o risco de choque eléctrico.
- Não aplique força excessiva sobre o cabo. Nunca o utilize para transportar, puxar ou desligar a ferramenta eléctrica. Mantenha o cabo afastado de fontes de calor, substâncias oleosas, extremidades**

aguçadas ou peças móveis. Os cabos danificados ou emaranhados aumentam o risco de choque eléctrico.

- Ao utilizar uma ferramenta eléctrica no exterior, use uma extensão adequada para utilização ao ar livre.** A utilização de um cabo adequado para uso ao ar livre reduz o risco de choque eléctrico.
- Se não for possível evitar trabalhar com uma ferramenta eléctrica num local húmido, utilize uma fonte de alimentação protegida por um dispositivo de corrente residual (DCR).** A utilização de um DCR reduz o risco de choque eléctrico.

3. Segurança pessoal

- Mantenha-se atento, preste atenção ao que está a fazer e faça uso de bom senso ao operar uma ferramenta eléctrica. Não utilize a ferramenta eléctrica quando estiver cansado ou sob o efeito de drogas, álcool ou medicamentos.** Um momento de distração durante a utilização de ferramentas eléctricas poderá resultar em ferimentos graves.
- Use equipamento de protecção pessoal. Use sempre protecção ocular.** O equipamento de protecção, como, por exemplo, uma máscara contra o pó, sapatos de segurança antiderrapantes, um capacete de segurança ou uma protecção auditiva, usado nas condições apropriadas, reduz o risco de ferimentos.
- Evite accionamentos acidentais. Certifique-se de que o interruptor da ferramenta está na posição de desligado antes de a ligar à tomada de electricidade e ou inserir a pilha, ou antes de pegar ou transportar a ferramenta.** Se mantiver o dedo sobre o interruptor ao transportar ferramentas eléctricas ou se as ligar à fonte de alimentação com o interruptor ligado, poderá originar acidentes.
- Retire qualquer chave de ajuste ou chave de porcas antes de ligar a ferramenta eléctrica.** Uma chave de porcas ou chave de ajuste deixada numa peça móvel da ferramenta poderá resultar em ferimentos.
- Não se estique demasiado ao trabalhar com a ferramenta. Mantenha sempre os pés bem apoiados e um equilíbrio apropriado.** Desta forma, será mais fácil controlar a ferramenta eléctrica em situações inesperadas.
- Use vestuário adequado. Não use roupa larga ou jóias. Mantenha o cabelo, a roupa e as luvas afastados das peças móveis.** As roupas largas, as jóias ou o cabelo comprido podem ficar presos nestas peças.
- Se forem fornecidos acessórios para a ligação de equipamentos de extracção e recolha de partículas, certifique-se de que estes são ligados e utilizados correctamente.** A utilização de dispositivos de extracção de partículas pode reduzir os riscos relacionados com as mesmas.

4. Utilização e cuidados a ter com a ferramenta

- a. **Não utilize a ferramenta eléctrica de forma forçada**
Utilize a ferramenta eléctrica correcta para o seu trabalho. A ferramenta eléctrica adequada irá efectuar o trabalho de um modo mais eficiente e seguro se for utilizada de acordo com a capacidade para a qual foi concebida.
- b. **Não utilize a ferramenta eléctrica se o interruptor não a ligar e desligar.** Qualquer ferramenta eléctrica que não possa ser controlada através do interruptor de alimentação é perigosa e tem de ser reparada.
- c. **Retire a ficha da tomada de electricidade e/ou a pilha da ferramenta eléctrica antes de efectuar quaisquer ajustes, substituir acessórios ou guardar a ferramenta.** Estas medidas de segurança preventivas reduzem o risco de ligar a ferramenta eléctrica acidentalmente.
- d. **Guarde as ferramentas eléctricas que não estiverem a ser utilizadas fora do alcance de crianças e não permita que sejam utilizadas por pessoas não familiarizadas com as mesmas ou com estas instruções.**
As ferramentas eléctricas são perigosas nas mãos de pessoas que não possuam as qualificações necessárias para as manusear.
- e. **Faça a devida manutenção das ferramentas eléctricas. Verifique se as peças móveis da ferramenta eléctrica estão alinhadas e não emperram, bem como se existem peças partidas ou danificadas ou quaisquer outras condições que possam afectar o funcionamento da mesma.** Se a ferramenta eléctrica estiver danificada, esta não deve ser utilizada até que seja reparada. Muitos acidentes são causados por ferramentas eléctricas com uma manutenção insuficiente.
- f. **Mantenha as ferramentas de corte sempre afiadas e limpas.** As ferramentas de corte sujeitas a uma manutenção adequada, com arestas de corte afiadas, emperram com menos frequência e são mais fáceis de controlar.
- g. **Utilize a ferramenta eléctrica, os acessórios, as brocas, etc., de acordo com estas instruções, tendo em conta as condições de trabalho e a tarefa a ser efectuada.** A utilização da ferramenta eléctrica para fins diferentes dos previstos poderá resultar em situações perigosas.

5. Assistência

- a. **A ferramenta eléctrica só deve ser reparada por um técnico qualificado e só devem ser utilizadas peças sobresselentes originais.** Desta forma, é garantida a segurança da ferramenta eléctrica.

Avisos de segurança gerais para ferramentas eléctricas



Atenção! Avisos de segurança adicionais para berbequins e perfuradoras de impacto.

- ◆ Use protecção auricular quando trabalhar com perfuradoras de impacto. A exposição ao ruído pode causar perda auditiva.
- ◆ Utilize as pegas auxiliares fornecidas com a ferramenta. A perda de controlo pode causar lesões pessoais.
- ◆ Segure a ferramenta eléctrica apenas pelas superfícies isoladas específicas para o efeito ao efectuar uma operação em que o acessório de corte possa entrar em contacto com fios ocultos. O acessório de corte que entre em contacto com um fio sob tensão eléctrica poderão fazer com que as peças de metal expostas da ferramenta conduzam electricidade e electrocutem o utilizador.
- ◆ Nunca utilize um acessório de cinzelagem no modo rotativo. O acessório fica dobrado no material e faz rodar o berbequim.
- ◆ Utilize grampos ou outro sistema prático para fixar e apoiar a peça numa plataforma estável. Segurar a peça com a mão ou contra o corpo pode causar instabilidade e perda de controlo.
- ◆ Antes de perfurar em paredes, pisos ou tectos, verifique onde estão instalados a cablagem e a canalização.
- ◆ Imediatamente depois de perfurar, evite tocar na ponta da broca, porque pode ficar quente.
- ◆ Esta ferramenta não deve ser utilizada por pessoas (incluindo crianças) com capacidades físicas, sensoriais ou mentais reduzidas ou com falta de experiência e conhecimentos, a menos que sejam acompanhadas ou tenham recebido formação sobre a utilização deste equipamento por uma pessoa responsável pela sua segurança. As crianças devem ser vigiadas, para garantir que não brincam com o equipamento.
- ◆ A utilização adequada é descrita neste manual de instruções.
O uso de qualquer acessório ou o desempenho de qualquer operação com esta ferramenta, que não seja o recomendado neste manual de instruções pode constituir um risco em termos de ferimentos e/ou danos materiais.
- ◆ Use uma máscara facial ou contra o pó, caso haja poeira ou partículas voadoras resultantes das operações de trabalho.

Segurança de terceiros

- ◆ Este aparelho não deve ser utilizado por pessoas (incluindo crianças) com capacidades físicas, sensoriais ou mentais reduzidas ou com falta de experiência e conhecimentos, a menos que sejam acompanhadas ou tenham recebido formação sobre a utilização deste equipamento por uma pessoa responsável pela sua segurança.

- ◆ As crianças devem ser vigiadas, para garantir que não brincam com o equipamento.



Atenção! Para reduzir o risco de ferimentos, o utilizador deve ler o manual de instruções.



Use protecção auricular quando utilizar perfuradoras de impacto. A exposição ao ruído pode causar perda auditiva.

Riscos residuais

Quando utilizar a ferramenta, podem ocorrer riscos residuais adicionais que podem não estar incluídos nos avisos de segurança afixados. Estes riscos podem resultar em caso de utilização indevida, uso prolongado, etc.

Mesmo com a aplicação dos regulamentos de segurança relevantes e da implementação de dispositivos de segurança, alguns riscos residuais não podem ser evitados. Estes incluem:

- ◆ Ferimentos causados quando toca nas partes rotativas/móveis.
- ◆ Ferimentos causados ao substituir as peças, lâminas ou acessórios.
- ◆ Ferimentos causados por utilização prolongada de uma ferramenta. Quando utilizar uma ferramenta durante períodos prolongados, faça pausas frequentes.
- ◆ Danos auditivos.
- ◆ Perigos para a saúde provocados pela inalação de poeiras produzidas quando utilizar a ferramenta (exemplo: trabalhos com madeira, especialmente carvalho, faia e placas de fibra de densidade média).

Vibração

Os valores declarados da emissão de vibração indicados nos dados técnicos e na declaração de conformidade foram medidos de acordo com um método de ensaio padrão fornecidos pela EN 60745 e podem ser utilizados para a comparação de uma ferramenta com outra. O valor da emissão de vibração declarado também pode ser utilizado para uma avaliação preliminar da exposição.

Atenção! O valor da emissão de vibração durante a utilização da ferramenta eléctrica pode ser diferente do valor declarado, dependendo da maneira como a ferramenta é utilizada. O nível de vibração pode ser superior ao nível indicado.

Quando avaliar a exposição à vibração para determinar as medidas de segurança exigidas pela 2002/44/CE com o intuito de proteger as pessoas que utilizam ferramentas eléctricas com regularidade para fins profissionais, deve considerar fazer uma estimativa da exposição à vibração. As condições de utilização e a maneira como a ferramenta é utilizada, tendo em conta todas as etapas do ciclo de funcionamento, como, por exemplo, quando a ferramenta é desligada e quando está a funcionar ao ralenti, além do tempo de activação.

Etiquetas colocadas na ferramenta

Os seguintes pictogramas são apresentados na ferramenta, assim como o código de data:

Segurança eléctrica



Esta ferramenta tem isolamento duplo, por conseguinte não é necessário um fio de terra. Verifique sempre se a tensão da tomada de electricidade corresponde à voltagem indicada na placa com os requisitos de alimentação da ferramenta.

- ◆ Se o cabo de alimentação estiver danificado, deve ser substituído pelo fabricante ou por um centro de assistência autorizado da Stanley FatMax para evitar situações de risco.

Funções

Esta ferramenta inclui parte ou todas as funções que se seguem.

1. Interruptor de velocidade variável
2. Botão de bloqueio
3. Interruptor de avanço/recuo
4. Selector de modo de perfuração
5. Mandril de manga dupla
6. Punho lateral
7. Furo do medidor de profundidades

Montagem

Atenção! Antes da montagem, certifique-se de que a ferramenta está desligada e que retirou a ficha da tomada.

Instalar o punho lateral e o limitador de profundidade (Fig. A)

- ◆ Rode a pega para a esquerda até conseguir deslizar o punho lateral (6) para a parte da frente da ferramenta.
- ◆ Rode o punho lateral para a posição pretendida, para garantir que as ranhuras (6a) encaixam nas ranhuras da ferramenta (5a).
- ◆ Para libertar e rodar, deslize o punho lateral para a frente para ajustar e depois certifique-se de que fica de novo encaixado com as ranhuras para utilização.
- ◆ Insira o medidor de profundidades (não fornecido) no furo de montagem (7), conforme indicado.
- ◆ Regule a profundidade de perfuração, como descrito abaixo.
- ◆ Rode a pega para a direita para apertar o punho lateral.

Regular a profundidade de perfuração (Fig. A)

- ◆ Rode a pega para a esquerda para afrouxar o punho lateral (6).

- ◆ Regule o medidor de profundidades (não fornecido) para a posição pretendida. A profundidade máxima de perfuração é igual à distância entre a ponta da broca e a extremidade dianteira do medidor de profundidades.
- ◆ Rode a pega para a direita para apertar o punho lateral.

Instalar um acessório (Fig. B)

- ◆ Rode a manga (5) para a esquerda para abrir o mandril.
- ◆ Insira o eixo da broca (8) no mandril.
- ◆ Rode a manga para a direita para apertar o mandril.

Utilização

Atenção! Deixe a ferramenta funcionar ao seu próprio ritmo. Não sobrecarregue a ferramenta.

Atenção! Antes de perfurar em paredes, pisos ou tectos, verifique onde estão instalados a cablagem e a canalização.

Ligar e desligar (Fig. C)

- ◆ Para ligar a ferramenta, prima o interruptor de velocidade variável (1). A velocidade da ferramenta depende da pressão que exercer no interruptor.
- ◆ Para um funcionamento em contínuo, prima o botão de bloqueio (2) e liberte o interruptor de velocidade variável. Esta opção não funciona no modo de rotação inversa.
- ◆ Para desligar a ferramenta, liberte o interruptor de velocidade variável.
- ◆ Para desligar a ferramenta no modo de funcionamento contínuo, prima de novo o interruptor de velocidade e depois liberte-o.

Seleccionar a direcção de rotação (Fig. D)

Para aparafusar e apertar parafusos, utilize o modo de rotação para a frente (para a direita). Para retirar parafusos ou remover pontas de broca encravadas, utilize rotação invertida (para a esquerda).

- ◆ Para seleccionar a rotação para a frente, empurre o cursor de avanço/recuo (3) para a esquerda.
- ◆ Para seleccionar a rotação para frente, empurre o cursor de avanço/recuo para a direita.

Atenção! Nunca altere a direcção de rotação quando o motor estiver a funcionar.

Seleccionar o modo de perfuração (Fig. E)

- ◆ Para efectuar perfuração de impacto em alvenaria e betão, regule o selector de modo de perfuração (4) na posição **T**.
- ◆ Para efectuar perfuração em aço, madeira e plástico ou para apertar parafusos, coloque o selector do modo de funcionamento (4) na posição **1**.

Acessórios

O desempenho da ferramenta depende do acessório utilizado. Os acessórios da Stanley Fat Max são desenvolvidos para padrões de elevada qualidade e concebidos para melhorar

o desempenho da ferramenta. Ao utilizar estes acessórios, pode tirar o máximo proveito da ferramenta.

Manutenção

O aparelho/ferramenta Stanley Fat Max com/sem fio foi concebido para funcionar durante um longo período de tempo com uma manutenção mínima. Uma utilização continuamente satisfatória depende de uma manutenção apropriada da ferramenta e de uma limpeza regular.

- ◆ Desligue o aparelho/ferramenta e retire a ficha da tomada.
- ◆ Pode também desligar e retirar a bateria do aparelho/ferramenta se este tiver uma bateria separada.
- ◆ Como alternativa, pode utilizar a carga da bateria por completo se estiver no valor máximo e depois desligá-la.
- ◆ Desligue o carregador antes de limpá-lo. O carregador não requer manutenção, além da limpeza normal.
- ◆ Limpe com regularidade as aberturas de ventilação do aparelho/ferramenta/carregador com uma escova macia ou um pano seco.
- ◆ Limpe com regularidade o compartimento do motor com um pano húmido. Não utilize produtos de limpeza abrasivos ou à base de solventes.
- ◆ Abra com regularidade o mandril e bata para retirar qualquer poeira do interior (quando estiver montado).

Proteger o ambiente



Recolha selectiva. Os produtos e baterias assinalados com este símbolo não devem ser eliminados em conjunto com o lixo doméstico normal.

Os produtos e baterias contêm materiais que podem ser recuperados ou reciclados, reduzindo a procura de matéria-prima. Recicle os produtos eléctricos e as baterias de acordo com as disposições locais.

Estão disponíveis mais informações em www.2helpU.com

Dados técnicos

FMEH750 (Tipo 1)		
Tensão de entrada	V _{AC}	230
Velocidade sem carga	min ⁻¹	0 ~ 3200
Velocidade de impacto	min ⁻¹	0 ~ 54400
Peso	kg	1.95
Capacidade máx. de perfuração		
Betão	mm	16
Aço	mm	13
Madeira	mm	32
Nível de pressão acústica de acordo com a EN 60745:		
Pressão acústica (L _{pA}) 101 dB(A), variabilidade (K) 3 dB(A)		
Potência acústica (L _{WA}) 112 dB(A), variabilidade (K) 3 dB(A)		

Valores totais de vibração (soma vectorial triaxial) em conformidade com a norma EN 60745:

Perfuração por impacto em betão (a_{hv}) 14,6 m/s²; variabilidade (K) 1,5 m/s²
Perfuração em metal (a_{hv}) 3,8 m/s²; variabilidade (K) 1,5 m/s²

Declaração de conformidade da CE

DIRECTIVA "MÁQUINAS"



Perfuradora de impacto FMEH750

A Stanley Europe declara que os produtos descritos em "dados técnicos" se encontram em conformidade com: EN60745-1:2009+A11:2010, EN60745-2-1:2010.

Estes produtos estão também em conformidade com as directivas 2014/30/UE, 2006/42/CE e 2011/65/UE.

Para obter mais informações, contacte a Black & Decker através da morada indicada em seguida ou consulte o verso do manual.

O abaixo assinado é responsável pela compilação do ficheiro técnico e faz esta declaração em nome da Stanley FatMax.

R. Laverick
Director de Engenharia
Stanley Europe, Egide Walschaertsstraat 14-18,
2800 Mechelen, Bélgica
20/02/2018

Garantia

A Stanley Fat Max confia na qualidade dos seus produtos e oferece aos consumidores uma garantia de 12 meses a partir da data de compra. Esta garantia é um suplemento e não afecta de modo algum os seus direitos estatutários. A garantia é válida nos Estados-membros da União Europeia e nos países-membros da Zona Europeia de Comércio Livre.

Para reclamar a garantia, esta deve estar em conformidade com os termos e condições da Stanley Fat Max e terá de apresentar o comprovativo de compra ao revendedor ou a um técnico de reparação autorizado.

Os termos e condições da garantia de 1 ano da Stanley Fat Max e a localização do técnico de reparação autorizado mais próximo pode ser obtido na Internet em www.2helpU.com. Pode também contactar o seu escritório Stanley Fat Max local através da morada indicada neste manual.

Visite o nosso Website www.stanley.eu/3 para registar o seu novo produto Stanley Fat Max e receba actualizações sobre novos produtos e ofertas especiais.

Avsedd användning

Din Stanley Fat Max, FMEH750 slagbormaskin har designats för borring i trä, metall, plast och murverk samt för skruvdragning. Dessa verktyg är avsedda för professionell och privat bruk, icke-professionella användare.

Säkerhetsinstruktioner Allmänna säkerhetsvarningar för elverktyg



Varning! Läs igenom alla säkerhetsvarningar och alla instruktioner. Om inte varningarna och instruktionerna som listas nedan följs kan det resultera i elektriska stötar, brand och/eller allvarliga skador.

Spara alla varningar och instruktioner för framtida referens. Termen "elverktyg" i varningarna refererar till ditt eldrivna (sladdanslutna) elverktyg eller batteridrivna (batteri) elverktyg.

1. Säkerhet på arbetsområdet

- Håll arbetsområdet rent och väl upplyst.** Belamrade och mörka området inbjuder till olyckor.
- Använd inte elverktyg i explosiv atmosfär, såsom i närheten av lättantändliga vätskor, gaser eller damm.** Verktyg skapar gnistor som kan antända damm eller ångor.
- Håll barn och åskådare borta medan ett elverktyg används.** Distractioner kan göra att du förlorar kontrollen.

2. Elektrisk säkerhet

- Elverktygs kontakter måste passa i eluttaget. Modifiera aldrig kontakten på något sätt. Använd inte någon adapterkontakt med jordade elverktyg.** Omodifierade kontakter och matchade uttag kommer att reducera risken för elektriska stötar.
- Undvik kroppskontakt med jordade eller jordanslutna ytor såsom rör, radiatorer, spisar och kylskåp.** Det finns en öka risk för elektriska stötar om kroppen är jodrad eller jordansluten.
- Utsätt inte elverktyg för regn eller våta förhållanden.** Vatten som kommer in i ett elverktyg kommer att öka risken för elektriska stötar.
- Misshandla inte sladden. Använd aldrig sladden för att bära, dra eller koppla ur elverktyget.** Håll sladden undan från hetta, olja, vassa kanter eller rörliga delar. Skadade eller trassliga sladdar ökar risken för elektriska stötar.
- När ett elverktyg används utomhus, använd en förlängningsladd som är lämplig för utomhusbruk.** Användning av en sladd som är lämplig för utomhusbruk minskar risken för elektriska stötar.

- f. **Om användning av ett elverktyg i en fuktig miljö inte kan undvikas, använd en (RCD) jordfelsbrytare.**

Användning av en RCD minskar risken för elektriska stötar.

3. Personlig säkerhet

- a. **Var uppmärksam, titta på vad du gör och använd sunt förnuft när ett elverktyg används. Använd inte ett elverktyg när du är trött eller påverkad av droger, alkohol eller mediciner.** En ögonblicks ouppmärksamhet när elverktyget används kan resultera i allvarliga personskador.
- b. **Använd personlig skyddsutrustning. Använd alltid skyddsglasögon.** Skyddsutrustning såsom dammask, halkfria skor, hjälm eller hörselskydd som används när så är lämplig kommer att reducera personskador.
- c. **Förhindra oavsiktlig start. Se till att avtryckare är i avstängd position innan anslutning till strömkällan och /eller batteripaketet, verktyget lyfts upp eller bärs.**

Att bära elverktyg med fingret på avtryckare eller strömsätta elverktyg som har strömbrytaren på inbjuder till olyckor.

- d. **Ta bort alla inställningsnycklar eller nycklar innan elverktyget slås på.** En skruvnyckel eller en nyckel som lämnas fäst på en roterande del av elverktyget kan resultera i personskador.
- e. **Sträck dig inte för långt. Ha bra föttestä och balans hela tiden.** Detta ger bättre kontroll över elverktyget i oväntade situationer.
- f. **Bär lämpliga kläder. Bär inte löst sittande kläder eller smycken. Håll håret, kläder och handskar undan från rörliga delar.** Lösa kläder, smycken eller långt hår kan fastna i rörliga delar.
- g. **Om enheten är försedd med anslutning av dammsug och uppsamlingsmöjlighet, se till att dessa är anslutna och används korrekt.** Användning av dammuppsamling kan minska dammrelaterade faror.

4. Elverktyg användning och skötsel

- a. **Tvinga inte elverktyget. Använd korrekt elverktyg för ditt arbete.** Korrekt elverktyg kommer att göra arbetet bättre och säkrare vid den hastighet som det är designad för.
- b. **Använd inte elverktyget om strömbrytaren inte kan slås på eller stängas av.** Alla elverktyg som inte kan kontrolleras av strömbrytaren är farliga och måste repareras.
- c. **Dra ut kontakten från strömkällan och/eller batteripaketet från elverktyget innan några justeringar görs, tillbehör byts eller elverktyget förvaras.** Sådan preventiva säkerhetsåtgärder minskar risken att elverktyget startar oavsiktligt.

- d. **Förvara överksamma elektriska verktyg utom räckhåll för barn och låt inte personer som är obekanta med elverktyget eller dessa instruktioner verktyget.** Elverktyg kan vara farliga i händerna på utbildade användare.

- e. **Underhålla elverktyg. Kontrollera om där finns felinriktningar eller rörliga delar som fastnat, trasiga delar eller andra förhållanden som kan påverka elverktygets drift. Vid skador reparera elverktyget innan användning.** Många olyckor orsakas av dåligt underhållna elverktyg.

- f. **Håll kapverktyg vassa och rena.** Korrekt underhållna kapverktyg med vassa kapkanter är mindre troliga att kärva och lättare att kontrollera.

- g. **Använd elverktyget, tillbehör och verktygsbits etc. i enlighet med dessa instruktion och tänk på arbetsförhållandena och arbetet som skall utföras.** Elverktyg som används för arbeten andra än de som är avsedda kan resultera i farliga situationer.

5. Service

- a. **Låt en kvalificerad reparatör som använder identiska reservdelar utföra service på ditt elverktyg.** Detta garanterar att säkerheten hos elverktyget bibehålls.

Ytterligare säkerhetsvarningar för elverktyg



Varning! Ytterligare säkerhetsvarningar för borrar- och slagborrmaskiner.

- ◆ Använd hörselskydd vid slagborring. Exponering för buller kan orsaka hörselskador.
- ◆ Använd extra handtag som medföljer verktyget. Förlorad kontroll kan orsaka personskador.
- ◆ Håll elverktyg i de isolerade greppytorna vid arbete som utförs där kaptillbehöret kan komma kontakt med dolda ledningar kan ske. Kaptillbehör som kommer i kontakt med strömförande ledningar kan göra metalldelarna strömförande och ge operatören en elektrisk stöt.
- ◆ Använd aldrig ett mejsel tillbehör i rotationsläge. Tillbehöret kommer att fastna i materialet och rotera bormaskinen.
- ◆ Använd klämmor eller andra praktiska sätt att fästa och stödja arbetsstycket på en stabil plattform. Arbetsstycken som hålls i handen eller mot kroppen gör det instabilt och kan leda till att kontrollen förloras.
- ◆ Innan borring i väggar, golv eller tak, kontrollera var ledningar och rör finns.
- ◆ Undvik att vidröra spetsen å borrarbisen efter borring då den kan vara het.
- ◆ Detta verktyg är inte avsett att användas av personer (inklusive barn) med reducerad fysisk, sensorisk eller mental kapacitet eller som saknar erfarenhet och kunskap såvida inte de övervakas eller instruerats beträffande

användningen av apparaten av en person som är ansvarig för deras säkerhet. Barn skall övervakas för att garantera att de inte leker med apparaten.

- Den avsedda användningen beskrivs i denna bruksanvisning. Användning av något tillbehör eller tillsatser eller utförande av något arbete annat än de som rekommenderas i denna bruksanvisning kan utgöra en risk för personskador och/eller skador på egendom.
- Använd en ansikts- eller dammask när arbetet producerar damm eller flygande partiklar.

Säkerhet för andra

- Denna apparat är inte avsedd att användas av personer (inklusive barn) med reducerad fysisk, sensorisk eller mental kapacitet eller som saknar erfarenhet och kunskap såvida inte de övervakas eller instruerats beträffande användningen av apparaten av en person som är ansvarig för deras säkerhet.
- Barn skall övervakas för att garantera att de inte leker med apparaten.

Kvarvarande risker

Ytterligare risker kan uppstå när verktyget används vilka kanske inte är inkluderade i de medföljande säkerhetsvarningarna. Dessa risker kan uppstå vid missbruk, för lång användning etc.

Även vid användning av de relevanta säkerhetsbestämmelserna och implementering av säkerhetsenheter kan vissa kvarvarande risker inte undvikas. Dessa inkluderar:

- Skador orsakade av att roterande/rörliga delar vidrörs.
- Skador orsakade när delar, skivor eller tillbehör byts.
- Skador orsakade av för lång användning av ett verktyg. När något verktyg används under lång tid se till att ta regelbunden paus.
- Hörselnedsättning.
- Hälsorisker orsakade av inandning av damm som uppstår när verktyget används (exempelvis vid arbete med trä, särskilt ek, bok och MDF.)

Vibration

De deklarerade vibrationsvärdena som fastställts i de tekniska data och i deklarationen om överensstämmelse har uppmätts i enlighet med en standardtestmetod som tillhandahålls av EN 60745 och kan användas för att jämföra ett verktyg med ett annat. De deklarerade vibrationsvärdena kan också användas för en preliminär uppskattning av exponeringen.

Varning! Vibrationsvärdet under faktisk användning av elverktyg kan skilja sig från de deklarerade värdena beroende på hur verktyget används. Vibrationsnivån kan öka över det fastställda värdet.

Vid uppskattning av vibrationsexponering för att avgöra säkerhetsåtgärder som krävs av 2002/44/EG för att skydda personer som regelbundet använder elverktyg i arbetet bör en uppskattning av vibrationsexponeringen överväga de verkliga förhållanden för användningen och hur verktyget används, inklusive att alla delar av arbetet tas med i beräkningen av driftcykeln, såsom när verktyget stängs av och när det körs på tomgång förutom körtiden.

Etiketter på verktyget

Följande piktogram visas på verktyget tillsammans med datumkoden::



Varning! För att minska risken för skador måste användaren läsa bruksanvisningen.



Använd hörselskydd vid slagborrning. Exponering för buller kan orsaka hörselskador

Elektrisk säkerhet



Detta verktyg är dubbelisolerat; därför behövs ingen jordanslutning. Kontrollera alltid att strömförsörjningen motsvarar spänningen på märkplattan.

- Om strömsladden är skadad måste den bytas av tillverkaren eller av ett auktoriserat Stanley FatMax servicecenter för att undvika faror.

Funktioner

Detta verktyg inkluderar vissa eller alla av följande funktioner.

1. Variabel hastighetsavtryckare
2. Låsknapp
3. Knapp framåt/bakåt
4. Borriägesväljare
5. Chuck med dubbelhylsa
6. Sidohandtag
7. Djupmätare hål

Montering

Varning! Innan montering, se till att verktyget är avstängt och urkopplat.

Fästa sidohandtaget och djupstoppet (bild A)

- Vrid greppet moturs tills du kan glida sidohandtaget (6) på fronten av verktyget.
- Vrid sidohandtaget till önskad position och se till att skärorna (6a) aktiveras i skärorna på verktyget (5a).
- För att lossa och vrida, skjut handtaget framåt för att justera och se sedan till att det åter aktiveras i skärorna innan användning.
- Sätt in djupmätaren (medföljer inte) i monteringshålet (7) såsom visas.
- Ställ in borddjupet såsom beskrivs ovan.

- ◆ Dra åt sidohandtaget genom att vrida greppet medurs.

Inställning av borrdjupet (bild A)

- ◆ Lossa sidohandtaget (6) genom att vrida greppet moturs.
- ◆ Ställ in djupmätaren (medföljer inte) till önskad position. Det maximala borrdjupet är lika med avståndet mellan spetsen på borrbitsen och främre änden på djupmätaren.
- ◆ Dra åt sidohandtaget genom att vrida greppet medurs.

Fästa ett tillbehör (bild B)

- ◆ Öppna chucken genom att vrida hylsan (5) moturs.
- ◆ Sätt i bitsskafet (8) i chucken.
- ◆ Dra åt chucken genom att vrida hylsan medurs.

Använd

Varning! Låt verktyget arbeta i egen takt. Överbelasta inte.

Varning! Innan borring i väggar, golv eller tak, kontrollera var ledningar och rör finns.

Slå på och stänga av (bild C)

- ◆ För att slå på verktyget, tryck på den variabla hastighet-savtryckaren (1). Verktygets hastighet beror på hur långt du trycker in avtryckaren.
- ◆ För kontinuerlig drift, tryck på låsknappen (2) och släpp den variabla hastighetsavtryckaren. Detta alternativ fungerar inte vid omvänd rotation.
- ◆ För att stänga av verktyget, släpp den variabla hastighet-savtryckaren. För att stänga av verktyget i kontinuerlig drift, tryck på den variabla hastighetsavtryckaren en gång till och släpp den.

Välja rotationsriktning (bild D)

För borring och åtdragning av skruvar, använd framåt (medurs) rotation. För att lossa skruvar eller för att ta bort en borr som fastnat, använd bakåttrotation (moturs).

- ◆ För att välja rotation framåt, skjut reglaget framåt/bakåt (3) åt vänster.
- ◆ För att välja rotation bakåt, skjut reglaget framåt/bakåt åt höger.

Varning! Ändra aldrig rotationsriktning medan motorn körs.

Välja borrarlaget (bild E)

- ◆ För slagborring i murverk och betong, ställ in borrarlägesväljaren (4) på positionen **T**.
- ◆ För borring i stål, trä och plast eller för skruvdragning ställ in driftlägesväljaren (4) på positionen **1**.

Tillbehör

Verktygets prestanda beror på vilket tillbehör som används. Stanley Fat Max tillbehör är tillverkade enligt hög kvalitetsstandard och är designade för att öka prestandan för ditt verktyg. Genom att använda dessa tillbehör kommer du att få ut det allra bästa av ditt verktyg.

Underhåll

Stanley Fat Max sladdanslutna/sladdlösa apparater/verktyg har designats att fungera under lång tid med minimalt underhåll. Fortsatt tillfredsställande drift beror korrekt verktygsvård och regelbunden rengöring.

- ◆ Stäng av och koppla ifrån apparaten/verktyget.
- ◆ Eller stäng av och ta bort batteriet från apparaten/verktyget om apparaten/verktyget har ett separat batteripaket.
- ◆ Eller töm batteriet helt om det är integrerat och stäng sedan av.
- ◆ Koppla ifrån laddaren innan den rengörs. Din laddare kräver inget underhåll förutom regelbunden rengöring.
- ◆ Rengör regelbundet ventilationsöppningarna på apparaten/verktyget/laddaren med en mjuk borste eller en torr trasa.
- ◆ Rengör regelbundet motorhöljet med en fuktig trasa. Använd inte slipande eller lösningsmedelsbaserat rengöringsmedel.
- ◆ Öppna regelbundet chucken och knacka för att ta bort damm från insidan (när monterad).

Skydda miljön



Separat insamling. Produkter och batterier som är märkta med denna symbol får inte kastas i de vanliga hushållssoporna.

Produkter och batterier innehåller material som kan återvinnas och återanvändas vilket minskar behovet av råmaterial. Återvinn elektriska produkter och batterier i enlighet med lokala bestämmelser.

Ytterligare information finns tillgängligt på www.2helpU.com

Tekniska data

FMEH750 (Typ 1)		
Ingående spänning	V_{AC}	230
Obelastat varvtal	min^{-1}	0 ~ 3200
Slaghastighet	min^{-1}	0 ~ 54400
Vikt	kg	1.95
Max. borrhåldskapitet		
Betong	mm	16
Stål	mm	13
Trä	mm	32

Ljudtrycksnivå enligt EN 60745:

Ljudtryck (L_{pA}) 101 dB(A), osäkerhet (K) 3 dB(A)

Ljudeffekt (L_{wA}) 112 dB(A), osäkerhet (K) 3 dB(A)

Vibration totalvärde (triax vektorsumma) enligt EN 60745:

Slagborring i betong ($a_{h,0}$) 14,6 m/s^2 , osäkerhet (K) 1,5 m/s^2
 Borring i metall ($a_{h,w}$) 3,8 m/s^2 , osäkerhet (K) 1,5 m/s^2

EG deklarasjon om överensstämning

MASKINDIREKTIVET



FMEH750 Slagbørr

Stanley Europe deklarerer att dessa produkter som beskrivs under "tekniska data" oppfyller:

EN60745-1:2009+A11:2010, EN60745-2-1:2010.

Dessa produkter oppfyller også direktiv 2014/30/EU, 2006/42/EC og 2011/65/EU.

Før ytterligere informasjon kontakta Black & Decker på følgende adress eller se baksidan på denna manual.

Undertecknad ansvarig for kompilering av den tekniska filen og gör denna deklarasjon på Stanley FatMax vägnar.

R. Laverick
Director of Engineering
Stanley Europe, Egide Walschaertsstraat 14-18,
2800 Mechelen, Belgien
19/02/2018

Garanti

Stanley Fat Max är säker på kvaliteten på deras produkter og erbjuder kunderna 12 månaders garanti från inköpsdatumet. Denna garanti är ett tillägg og påverkar inte i något hänseende dina lagstadgade rättigheter. Garantin gäller inom medlemsländernas territorium i Europeiska unionen og det Europeiska frihandelsområdet.

Før garantibegäran måste begäran vara i enlighet med Stanley Fat Max villkor og du behöver skicka med ett bevis på köpet till säljaren eller en auktoriserad serviceagent. Villkoren i Stanley Fat Max ettåriga garanti og var din närmaste auktoriserade reparatör finns kan erhållas på internet på www.2helpU.com, eller genom att kontakta ditt lokala Stanley Fat Max kontor på adressen som anges i denna manual.

Besök vår webbsida www.stanley.eu/3 för att registrera din nya Stanley Fat Max produkt og få oppdateringar om nya produkter og spesialerbjudanden.

Tiltent bruk

Din Stanley Fat Max FMEH750 slagbøremaskin er designet for boring i tre, metall, plast og murverk i tillegg til skruing. Disse verktøyene er tiltent for profesjonelle og private, ikke profesjonelle brukere.

Sikkerhetsinstruksjoner Generelle sikkerhetsadvarsler for elektroverktøy

Advarsel! Les alle sikkerhetsadvarsler og instruksjonene. Hvis du ikke følger advarslene og instruksjonene under, kan dette resultere i elektrisk støt, brann og/eller alvorlig personskade.

Ta vare på alle advarsler og instruksjoner for fremtidig bruk. Termen "elektroverktøy" i advarslene viser til ditt strøm-drevne (med ledning) eller batteridrevne (trådløse) elektroverktøy elektroverktøy.

1. Sikkerhet på arbeidsområdet

- Hold arbeidsområdet ryddig og godt opplyst.** Rotete eller mørke områder er en invitasjon til ulykker.
- Du skal ikke bruke elektroverktøy i eksplosive atmosfærer slik som hvor det finnes antennbare væsker, gasser eller støv.** Elektriske verktøy skaper gnister som kan antenne støvet eller gassene.
- Hold barn og tilskuere borte når du bruker elektrisk verktøyet.** Forstyrrelser kan føre til at du mister kontrollen over verktøyet.

2. Elektrisk sikkerhet

- Verktøyet støpsel må passe til stikkkontakten. Du skal ikke modifisere støpset på noen måte. Du skal ikke bruke adapterstøpsler med jodede elektroverktøy.** Umodifiserte støpsler og passende stikkontakter vil redusere faren for elektrisk støt.
- Unngå kroppskontakt med jodede overflater slik som ør, radiatorer, komfyrer og kjøleskap.** Det er fare for elektrisk støt hvis kroppen din er jodet.
- Ikke eksponer elektroverktøy for regn eller våte forhold.** Vann som kommer inn i et elektroverktøy vil øke faren for elektrisk støt.
- Ikke misbruk ledningen. Du skal aldri bruke ledningen til å bære, dra eller til å plugge ut elektroverktøyet. Hold ledningen unna varme, olje, skarpe kanter og bevegelige deler.** Ødelagte eller kveilede ledninger øker faren for elektrisk støt.
- Når du bruker elektroverktøyet utendørs skal du bruke en skjøteledning som er tiltent utendørs bruk.** Bruk av en skjøteledning som passer til utendørs bruk reduserer faren for elektrisk støt.
- Hvis det er uunngåelig å bruke verktøyet på et fuktig sted skal du bruke en RCD - jordfeilbryter**

for beskyttet forsyning. Bruk av en RCD reduserer faren for elektrisk støt.

3. Personlig sikkerhet

- Vær oppmerksom, pass på hva du gjør og bruk sunn fornuft ved bruk av et elektroverktøy. Ikke bruk verktøyet når du er trett eller under påvirkning av rusmidler, alkohol eller medisiner.** Et øyeblikks uopmerksomhet ved bruk av et elektroverktøy kan føre til alvorlig personskade.
- Bruk personlig beskyttelsesutstyr. Du skal alltid bruke vernebriller.** Beskyttelsesutstyr slik som støvmaske, sklislisre vernesko, hjelm eller hørselsvern som brukes under passende forhold reduserer faren for personskader.
- Unngå utilsiktet starting. Forsikre deg om at bryteren er i av-posisjon før du plugger i og/eller setter inn batteripakken, løfter eller bærer verktøyet.** Ved å bære elektroverktøy med fingeren på avtrekkeren eller ved å koble en energikilde til elektroverktøy som har bryteren på kan føre til ulykker.
- Fjern justeringsnøkkel før du skruer elektroverktøyet på.** En nøkkel som sitter på en roterende del av elektroverktøyet kan føre til personskade.
- Strekk deg ikke for langt. Hold stødig grep med bena og ha god balanse hele tiden.** Dette gir bedre kontroll over elektroverktøyet i uventede situasjoner.
- Kle deg skikkelig. Ikke ha på løse klær eller smykker. Hold hår, klær og hansker unna bevegelige deler.** Løse klær, smykker eller langt hår kan sette seg fast i bevegelige deler.
- Hvis du har enheter som skal samle støv, skal du forsikre deg om at de er festet sikkelig og brukes på riktig måte.** Bruk av støvoppsamler kan redusere støvrelaterte farer.

4. Bruk og vedlikehold av elektroverktøy

- Ikke bruk makt på elektroverktøyet. Bruk riktig elektroverktøy for ditt bruk.** Det riktige elektroverktøyet vil gjøre jobben bedre og sikrere i området det er designet for.
- Ikke bruk verktøyet dersom det ikke kan slås på og av ved hjelp av bryteren.** Et verktøy som ikke kan kontrolleres med bryteren er farlig og må repareres.
- Koble kontakten fra strømkilden og/eller batteripakken fra elektroverktøyet før du utfører justeringer, endrer tilbehør eller lagrer elektroverktøy.** Slike forebyggende sikkerhetstiltak reduserer faren for at elektroverktøyet starter ved et uhell.
- Oppbevar verktøy utenfor barns rekkevidde og ikke tillat personer som ikke er kjent med maskinen eller bruksanvisningen å håndtere verktøyet.** Elektroverktøy er farlige i hendene på brukere uten opplæring.

- Vedlikehold elektroverktøy. Kontroller for skjevheter eller fastkjørte bevegelige deler, brukte deler og andre forhold som kan påvirke elektroverktøyet drift.** Hvis det er skadet skal du få elektroverktøyet reparert før bruk. Mange ulykker oppstår på grunn av dårlig vedlikehold av elektroverktøy.
- Hold kutteverktøy skarpe og rene.** Riktig vedlikeholdte kutteverktøy kjører seg ikke lett fast og er enklere å kontrollere.
- Bruk elektroverktøyet, tilbehøret og verktøybits etc. i samsvar med disse instruksjonene og ta hensyn til arbeidsforhold og arbeidet som skal utføres.** Bruk av elektroverktøyet til annen bruk enn den tiltenkte kan føre til farlige situasjoner.

5. Service

- La elektroverktøyet få service av en kvalifisert reparatør og bruk kun identiske reservedeler.** Dette sikrer at sikkerheten ved elektroverktøyet opprettholdes.

Ekstra sikkerhetsadvarsler for elektroverktøy



Advarsel! Ekstra sikkerhetsadvarsler for boremaskiner og slagboremaskiner.

- ◆ Bruk hørselsvern når du bruker slagboremaskiner. Eksposering for støy kan føre til hørselstap.
- ◆ Bruk ekstrahåndtakene som følger med verktøyet. Tap av kontroll kan føre til personskader.
- ◆ Hold elektroverktøyet på de isolerte gripeoverflatene når du utfører arbeid hvor kuttetilbehøret kan komme i kontakt med skjulte ledninger. Kuttetilbehør som kommer i kontakt med strømførende ledninger gjør eksponerte metalldele av elektroverktøyet strømførende og kan gi brukeren elektrisk støt.
- ◆ Du skal aldri bruke meiseltilbehør i roterende modus. Tilbehøret vil feste seg i materialet og rotere drillen.
- ◆ Bruk klemmer eller en annen praktisk måte til å sikre og støtte arbeidsstykket til en stabil plattform. Ved å holde arbeidet i hånden eller mot kroppen gjør det ustabil og kan føre til tap av kontroll.
- ◆ Før du borer i vegger, gulv eller tak skal du sjekke hvor det er ledninger og rør.
- ◆ Unngå å ta på tuppen av drillbiten rett etter boring da den kan være varm.
- ◆ Dette verktøyet er ikke tiltenkt for bruk av personer (inkludert barn) med reduserte fysiske, sansemessige eller mentale evner, eller som ikke har erfaring og kunnskap, hvis de ikke holdes oppsyn med eller gitt instruksjon som angår bruk av verktøyet av en person som er ansvarlig for deres sikkerhet. Barn skal holdes oppsyn med for å forsikre at de ikke leker med verktøyet.
- ◆ Tiltenkt bruk er beskrevet i denne bruksanvisningen.

Bruk av noe tilbehør eller utførelse av noe arbeid med dette verktøyet annet enn det som er beskrevet i denne bruksanvisningen utgjør en fare for personskader og/eller materielle skader.

- ◆ Bruk ansikts eller støvmaske når bruken kan produsere støv eller flygende partikler.

Andres sikkerhet

- ◆ Dette verktøyet er ikke tiltenkt for bruk av personer (inkludert barn) med reduserte fysiske, sansemessige eller mentale evner, eller som ikke har erfaring og kunnskap, hvis de ikke holdes oppsyn med eller gitt instruksjon som angår bruk av verktøyet av en person som er ansvarlig for deres sikkerhet.
- ◆ Barn skal holdes oppsyn med for å forsikre at de ikke leker med verktøyet.

Restrisikoer

Restrisikoer kan oppstå når du bruker verktøyet, som ikke er inkludert i sikkerhetsadvarslene. Disse farene kan oppstå fra misbruk, langtidsbruk etc.

Selv ved overholdelse av de relevante sikkerhetsregler og implementering av sikkerhetsutstyr, kan visse restrisikoer ikke unngås. Disse inkluderer:

- ◆ Personskader forårsaket av roterende/bevegelige deler.
- ◆ Personskader som oppstår under skifte av deler, blader eller tilbehør.
- ◆ Personskader forårsaket av langtidsbruk av verktøyet. Når du bruker verktøyet over lang tid, må du forsikre at tar regelmessige pauser.
- ◆ Hørselskader.
- ◆ Helsefærer forårsaket av innpusting av støv som utvikler seg når du bruker verktøyet (for eksempel når du jobber med tre, spesielt eik, bøk og MDF.)

Vibrasjon

De deklarete vibrasjonsutslippsverdiene som er oppgitt i teknisk data og samsvarserklæringen har blitt målt i samsvar med en standard testmetode gitt av EN 60745 og kan brukes til å sammenligne et verktøy med et annet. De erklærte vibrasjonsutslippsverdiene kan også brukes i foreløpig vurdering av eksponering.

Advarsel! Vibrasjonverdier under faktisk bruk av elektroverktøyet kan være ulikt fra de erklærte verdiene, avhengig av måten verktøyet blir brukt på. Vibrasjonsnivået kan øke over det angitte nivået.

Ved vurdering av vibrasjonseksponering for å fastsette sikkerhetstiltak i henhold til 2002/44/EU for beskyttelse av personer som regelmessig bruker elektroverktøy, skal estimatet av vibrasjonseksponeringen ta hensyn til de virkelige bruksforholdene og bruksmåten for verktøyet, inkludert å ta hensyn til

alle deler av brukssyklusen så som tidsperioder der verktøyet er avslått og tomgangstider, i tillegg til virkelig aktiv bruk.

Merker på verktøyet

De følgende symbolene vises på verktøyet med datokode:



Advarsel! For å redusere risikoen for personskader, må brukeren lese bruksanvisningen.



Bruk hørselsvern når du borer. Eksponering for støy kan føre til hørselstap.

Elektrisk sikkerhet



Dette verktøyet er dobbelisolert: derfor trengs ikke jording. Du skal alltid sjekke at strømforsyningen samsvarer med spenningen på områdeplaten.

- ◆ Hvis strømledningen er skadet, må den byttes av produsenten eller et autorisert Stanley FatMax servicesenter for å unngå farer.

Egenskaper

Dette verktøyet har noen eller alle av disse egenskapene.

1. Bryter variabel hastighet
2. Låseknapp
3. Knapp forover/bakover
4. Boremodusvelger
5. Dobbelhylse chuck
6. Sidehåndtak
7. Dybdemålerhull

Montering

Advarsel! Før montering, skal du forsikre deg om at verktøyet er slått av og koblet fra strømmen.

Feste sidehåndtaket og dybdestoppet (figur A)

- ◆ Vri håndtaket mot klokken til du kan skyve sidehåndtaket (6) inn på fronten av verktøyet.
- ◆ Roter sidehåndtaket til ønsket posisjon og forsikre deg om at sporene (6a) setter seg i sporene på verktøyet (5a).
- ◆ For å løsne og snu, skyv håndtaket forover for justering og pass på at det går i inngrep igjen med sporene før bruk.
- ◆ Sett inn dybdemåleren (følger ikke med) inn i monteringshullet (7) som vist.
- ◆ Sett drilldybden som beskrevet under.
- ◆ Fest sidehåndtaket ved å vri det med klokken.

Stille inn drilldybde (figur A)

- ◆ Løsne sidehåndtaket (6) ved å vri det mot klokken.
- ◆ Still dybdemåleren (følger ikke med) til ønsket posisjon. Maksimal drilledybde er lik distansen mellom tuppen av drillbiten og frontenden på dybdemåleren.
- ◆ Fest sidehåndtaket ved å vri det med klokken.

Sette på tilbehør (figur B)

- ◆ Åpne chucken ved å vri hylsen (5) mot klokken.
- ◆ Sett inn bitskafet (8) i chucken.
- ◆ Fest chucken ved å vri hylsen med klokken.

Bruk

Advarsel! La verktøyet jobbe i eget tempo. Ikke overbelast. Advarsel! Før du borer i vegger, golv eller tak skal du sjekke hvor det er ledninger og rør.

Skru av og på (figur C)

- ◆ For å skru verktøyet på skal du trykke på bryteren for variabel hastighet (1). Verktøyets hastighet avhenger av hvor langt du trykker bryteren.
- ◆ For kontinuerlig bruk, trykk på låseknappen (2) og slipp bryteren for variabel hastighet. Dette valget fungerer ikke i revers.
- ◆ For å skru verktøyet av skal du slippe bryteren for variabel hastighet. For å skru verktøyet av i kontinuerlig drift, skal du trykke på bryteren for variabel hastighet en gang til og slippe den.

Velge rotasjonsretning (figur D)

For boring og festing av skruer skal du bruke forover (med klokken) rotasjon. For løsning av skuer eller fjerne en fastkjørt drillbit, skal du bruke revers (mot klokken) rotasjon.

- ◆ For å velge rotasjon fremover, trykk fremover/revers skyvebryteren (3) til venstre.
- ◆ For å velge revers rotasjon, trykk fremover/revers skyvebryteren til høyre.

Advarsel! Du skal aldri endre retningen på rotasjonen når motoren er i gang.

Velge drillmodus (figur E)

- ◆ For slagboring i murverk og betong, skal du stille innodusvelgeren (4) til **T** posisjon.
- ◆ For boring i stål, tre og plast eller for skruing skal du stille innodusvelgeren (4) til **2** posisjon.

Tilbehør

Ytelsen til verktøyet avhenger av tilbehøret som brukes. Stanley Fat Max tilbehør er utformet for høykvalitetsstandard og designet for å forbedre ytelsen til verktøyet. Ved å bruke tilbehøret vil du få maksimal ytelse av verktøyet.

Vedlikehold

Et Stanley Fat Max med eller uten kabel verktøy er designet for å brukes i en lang tidsperiode med et minimum av vedlikehold. Fortsatt tilfredsstillende ytelse avhenger av skikkelig ivaretagelse av verktøyet og regelmessig rengjøring.

- ◆ Skru av og koble fra verktøyet.
- ◆ Eller skru av og fjern batteriet fra verktøyet hvis verktøyet har en separat batteripakke.

- ◆ Eller la batteriet lade ut fullstendig hvis det er integrert og slå deretter av verktøyet.
- ◆ Plugg ut laderen før du rengjør den. Laderen trenger ikke vedlikehold bortsett fra regelmessig rengjøring.
- ◆ Du skal rengjøre regelmessig ventilasjonshullene på verktøyet og laderen ved bruk av en myk børste eller tørr klut.
- ◆ Du skal regelmessig rengjøre motorhuset ved bruk av en fuktig klut. Ikke bruk skure eller løsemiddelbaserte vaskemidler.
- ◆ Du skal regelmessig åpne chucken og dunke lett på den for å fjerne alt støv fra insiden (når den er montert).

Miljøvern



Separat innsamling. Produkter og materialer som er merket med dette symbolet skal ikke kastes med vanlig husholdningsavfall.

Produkter og batterier inneholder materialer som kan resirkuleres og redusere etterspørselen for råmaterialer. Resirkuler elektriske produkter og batterier i henhold til lover og regler.

Ytterligere informasjon finner du på www.2helpU.com

Teknisk data

FMEH750 (Type 1)		
Inngangsspenning	V_{AC}	230
Ubelastet hastighet	min^{-1}	0 ~ 3200
Slaghastighet	min^{-1}	0 ~ 54400
Vekt	kg	1.95
Maks. borekapasitet		
Betong	mm	16
Stål	mm	13
Tre	mm	32

Lydtrykknivå i henhold til EN 60745:	
Lydtrykk (L_{pA})	101 dB(A), usikkerhet (K) 3 dB(A)
Lydeffekt (L_{WA})	112 dB(A), usikkerhet (K) 3 dB(A)

Vibrasjon totalverdier (triaks vektorsum) i henhold til EN 60745:	
Slagboring i betong ($a_{h, 10}$)	14,6 m/s^2 , usikkerhet (K) 1,5 m/s^2
Boring i metall ($a_{h, 10}$)	3,8 m/s^2 , usikkerhet (K) 1,5 m/s^2

EU-samsvarserklæring MASKINDIREKTIV



FMEH750 Slagbor Stanley

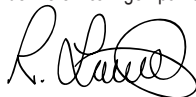
Europe erklærer at disse produktene beskrevet under "teknisk data" er i samsvar med:

EN60745-1:2009+A11:2010, EN60745-2-1:2010.

Disse produktene samsvarer også med direktiv 2014/30/EU, 2006/42/EC og 2011/65/EU.

For mer informasjon, kontakt Black & Decker på følgende adresse eller se bakerst i bruksanvisningen.

Undertegnede er ansvarlig for samlingen av teknisk fil og gjør denne erklæringen på vegne av Stanley FatMax.



R. Laverick
Director of Engineering
Stanley Europe, Egide Walschaertsstraat 14-18,
2800 Mechelen, Belgia
19/02/2018

Garanti

Stanley Fat Max er sikker på kvaliteten på sine produkter og tilbyr sine kunder en 12 måneders garanti fra kjøpsdato. Denne garantien kommer i tillegg til og kommer ikke i veien for dine lovbestemte rettigheter. Garantien er gyldig innen landområdene til medlemslandene i EU og i EØS.

For å benytte deg av garantien, må kravet være i henhold til Stanley Fat Max vilkår og du må fremskaffe kjøpsbevis til forhandleren eller en autorisert reparasjonstekniker. Betingelser og vilkår av Stanley Fat Max 1 års garanti og hvor du finner din nærmeste autoriserte reparasjonstekniker kan du finne på www.2helpU.com, eller ved å kontakte ditt lokale Stanley Fat Max kontor på adressen i denne bruksanvisningen.

Besøk vår nettside www.stanley.eu/3 for å registrere ditt nye Stanley Fat Max produkt og få oppdateringer om nye produkter og spesialtilbud.

Tilsigtet bruk

Din Stanley Fat Max, FMEH750 slagboremaskine er beregnet til boring i tre, metall, plast og murværk samt skruningsarbejde. Disse værktøyer er beregnet til profesjonelle brukere og private brukere, der ikke er profesjonelle.

Sikkerhedsanvisninger Generelle sikkerhedsadvarsler for elværetøjer



Advarsel! Læs alle sikkerhedsadvarsler og alle instruktioner. Hvis nedenstående advarsler og instruktioner ikke følges, er der risiko for elektrisk stød, brand og/eller alvorlige kvæstelser.

Gem alle advarsler og instruktioner til fremtidig reference. Udtrykket "elværktøj" i advarslerne henviser til dit strømbetjente (ledningsførte) elværktøj eller dit batteridrevne (ledningsfrie) elværktøj.

1. Sikkerhed på arbejdsområdet

- Hold arbejdsområdet rent og godt belyst.** Rodede eller mørke områder giver anledning til ulykker.
- Brug ikke elværktøj i områder med eksplosionsfare som f.eks. nær letantændelige væsker, gasser eller støv.** Elektrisk værktøj danner gnister, som kan antænde støv eller dampe.
- Hold børn og tilskuere væk, mens du betjener et elværktøj.** Distraktioner kan få dig til at miste kontrol.

2. Elektrisk sikkerhed

- Elværktøjsstik skal passe til stikkontakten. Stikket må på ingen måde modificeres. Brug ikke adapterstik med jordforbundne (tilsluttede) elværktøjer.** Ikke-modificerede stik og tilsvarende stikkontakter reducerer risikoen for stød.
- Undgå kropskontakt med jordforbundne overflader såsom rør, radiatorer, komfurer og køleskabe.** Der er en forøget risiko for elektrisk stød, hvis din krop får jordforbindelse.
- Elværktøjer må ikke udsættes for regn eller fugt.** Vand, der trænger ind i et elværktøj, øger risikoen for stød.
- Misbrug ikke ledningen. Ledningen må aldrig bruges til at bære, trække eller frakoble elværktøjet. Hold ledningen væk fra varme, olie, skarpe kanter eller dele i bevægelse.** Beskadigede eller sammenfiltrede ledninger øger risikoen for stød.
- Under betjening af et elværktøj udendørs skal du bruge en forlængerledning, der er velegnet til udendørs brug.** Ved brug af en ledning, der er velegnet til udendørs brug, reduceres risikoen for elektrisk stød.

- f. Brug en strømkilde med fejlstrømsrelæ, hvis det er nødvendigt at anvende elværktøj på fugtige steder. Ved at benytte en fejlstrømsafbryder reduceres risikoen for elektrisk stød.

3. Personlig sikkerhed

- a. Vær opmærksom, hold øje med hvad du gør, og brug almindelig sund fornuft, når du anvender et elværktøj. Brug ikke et elværktøj, når du er træt eller påvirket af stoffer, alkohol eller medicin. Et øjeblikvis uopmærksomhed under betjening af elværktøj kan forårsage alvorlige personskader.
- b. Anvend personligt beskyttelsesudstyr. Anvend altid øjenbeskyttelse. Beskyttelsesudstyr såsom støvmaske, skridsikre sikkerhedssko, hjelm eller høreværn, der bruges til passende forhold, reducerer personskader.
- c. Undgå utilsigtet start. Sørg for, at kontakten er i sluk-position, inden du tilslutter strømkilden og/eller batteripakken, tager værktøjet op eller bærer det. Hvis du bærer elværktøj med din finger på kontakten eller strømfører elværktøj, der har kontakten tændt, kan der nemt ske ulykker.
- d. Fjern evt. justeringsnøgle, inden du tænder for elværktøjet. En nøgle, der efterlades fastgjort til en roterende del af elværktøjet, kan resultere i personskade.
- e. Ræk ikke for langt. Bevar altid et godt fodfæste og en god balance. Dette giver bedre kontrol over elværktøjet i uventede situationer.
- f. Klæd dig ordentligt på. Undlad at bære løstsiddende tøj eller smykker. Hold hår, tøj og handsker væk fra dele i bevægelse. Løstsiddende tøj, smykker eller langt hår kan blive fanget i bevægelige dele.
- g. Hvis der leveres enheder til tilslutningen af støvudsugnings- og opsamlingsudstyr, skal du sørge for, at disse tilsluttes og anvendes korrekt. Brug af støvopsamling kan reducere støvrelaterede farer.

4. Brug og pleje af elværktøj

- a. Tving ikke elværktøjet. Brug det korrekte elværktøj til dit arbejde. Det korrekte elværktøj vil udføre arbejdet bedre og mere sikkert i den hastighed, det blev udviklet til.
- b. Brug ikke elværktøjet, hvis kontakten ikke tændes og slukkes. Ethvert elværktøj, der ikke kan kontrolleres med kontakten, er farligt og skal repareres.
- c. Tag stikket ud af strømkilden og/eller batteripakken ud af elværktøjet, inden du foretager justeringer, udskifter tilbehør eller opbevarer elværktøjer. Disse forebyggende sikkerhedsforanstaltninger reducerer risikoen for at starte elværktøj ved et uheld.

- d. Opbevar elektrisk værktøj uden for rækkevidde af børn, og tillad ikke personer, som ikke er bekendt med elværktøjet eller disse anvisninger, at betjene elværktøjet. Elværktøjer er farlige i hænderne på uøvede brugere.
- e. Vedligehold elværktøj. Se efter fejlindstilling eller binding af dele i bevægelse, ødelæggelse af dele og andre tilstande, som kan påvirke elværktøjernes betjening. Hvis de beskadiges, skal elværktøjet repareres inden brug. Mange ulykker skyldes dårligt vedligeholdte elværktøjer.
- f. Hold skæreværktøjer skarpe og rene. Korrekt vedligeholdte skæreværktøjer med skarpe skærekanter har mindre sandsynlighed for at binde og er nemmere at styre.
- g. Brug elværktøjet, tilbehøret og værktøjsbor osv. i overensstemmelse med disse anvisninger, mens du tager hensyn til arbejdsforholdene og det arbejde, der skal udføres. Brug af elværktøjet til andre opgaver end de beregnede kan resultere i en farlig situation.

5. Service

- a. Få en kvalificeret reparatør til at foretage service på dit elværktøj, udelukkende med identiske reservedele. Dette sikrer, at elværktøjets sikkerhed bevares.

Yderligere sikkerhedsadvarsler for elværktøj



Advarsel! Yderligere sikkerhedsadvarsler for boremaskiner og slagboremaskiner.

- ◆ Brug ørebeskyttere med slagboremaskiner. Eksponering for støj kan forårsage høretab.
- ◆ Brug hjælpelhåndtag, der fulgte med værktøjet. Tab af kontrol kan forårsage personskade.
- ◆ Hold elværktøj i de isolerede gribeblader, når du udfører en opgave, hvor skæretilbehøret kan komme i kontakt med skjulte ledninger. Hvis skæretilbehør kommer i kontakt med en strømførende ledning, kan det gøre blottede metaldele på værktøjet strømførende, hvilket kan give operatøren et elektrisk stød.
- ◆ Brug aldrig et mejseltilbehør i rotationstilstand. Tilbehøret binder i materialet og roterer boret.
- ◆ Brug klampen eller en anden praktisk måde at sikre og støtte arbejdsemnet på en stabil platform. Hvis du holder arbejdsemnet i hånden eller mod din krop, bliver det ustabil, hvilket kan føre til tab af kontrol.
- ◆ Inden du borer i vægge, gulve eller lofter, skal du se efter placeringen af ledninger og rør.
- ◆ Undgå at berøre spidsen af et borehoved lige efter at have boret, da det kan være meget varmt.
- ◆ Dette værktøj er ikke beregnet til at blive anvendt af personer (herunder børn) med reducerede fysiske, sansemæssige eller mentale evner, eller manglende erfaring

og viden, med mindre de er under opsyn eller har fået vejledning i apparatets brug af en person, som er ansvarlig for deres sikkerhed. Børn bør holdes under opsyn for at sikre, at de ikke leger med apparatet.

- ◆ Den beregnede brug er beskrevet i denne brugsvejledning. Hvis du bruger tilbehør eller udfører handlinger med dette værktøj, der ikke anbefales i denne brugsvejledning, kan det udgøre en risiko for personskade og/eller beskadigelse af ejendom.
- ◆ Brug et ansigtssværm eller en støvmaske, hver gang handlingerne kan producere støv eller flyvende partikler.

Andres sikkerhed

- ◆ Dette apparat er ikke beregnet til at blive anvendt af personer (herunder børn) med reducerede fysiske, sansemæssige eller mentale evner, eller manglende erfaring og viden, med mindre de er under opsyn eller har fået vejledning i apparatets brug af en person, som er ansvarlig for deres sikkerhed.
- ◆ Børn bør holdes under opsyn for at sikre, at de ikke leger med apparatet.

Residualrisiko

Yderligere residualrisici kan opstå, når værktøjet bruges, hvilket muligvis ikke er inkluderet i de medfølgende sikkerhedsadvarsler. Disse risici kan opstå i forbindelse med misbrug, længerevarende brug osv.

Selv med anvendelsen af de relevante sikkerhedsbestemmelser og implementeringen af sikkerhedsanordninger kan visse residualrisici ikke undgås. Disse omfatter:

- ◆ Personskader forårsaget ved berøring af roterende dele/dele i bevægelse.
- ◆ Personskader forårsaget ved udskiftning af dele, klinger eller tilbehør.
- ◆ Personskader forårsaget af længerevarende brug af et værktøj. Når du bruger et værktøj gennem længere perioder, bør du sørge for at tage regelmæssige pauser.
- ◆ Nedsat hørelse.
- ◆ Sundhedsfarer forårsaget af indånding af støv, der udvikles under brug af dit værktøj (f.eks.: -arbejde med træ, især eg, bøg og MDF.)

Vibration

De erklærede vibrationsemissionsværdier angivet i de tekniske data og overensstemmelseserklæringen er blevet målt i overensstemmelse med en standardtestmetode ifølge EN 60745 og kan bruges til at sammenligne et værktøj med et andet. Den erklærede vibrationsemissionsværdi kan også bruges i en indledende eksponeringsvurdering.

Advarsel! Vibrationsemissionsværdien under den reelle brug af elværktøjet kan variere fra den erklærede værdi, afhængigt

af de måder værktøjet bruges på. Vibrationsniveauet kan stige til over det angivne niveau.

Under vurdering af vibrationseksponering for at afgøre sikkerhedsforanstaltninger, der kræves af 2002/44/EF for at beskytte personer, der bruger elværktøj regelmæssigt til arbejde, bør en estimering af vibrationseksponering tage hensyn til de reelle forhold, værktøjet bruges under, herunder alle dele af driftscyklussen, såsom de gange, værktøjet slukkes, og når det kører i tomgang ud over udløsertiden.

Mærkatér på værktøjet

De følgende piktogrammer vises på værktøjet ud over datokoden:



Advarsel! For at reducere risikoen for kvæstelser bør brugeren læse brugervejledningen.



Brug ørebeskyttere med slagboremaskiner. Eksponering for støj kan forårsage høretab.

Elektrisk sikkerhed



Dette værktøj er dobbelt isoleret, og der er derfor ikke brug for nogen jordleder. Kontrollér altid, at strømforsyningen stemmer overens med spændingen på ydelsesskiltet.

- ◆ Hvis forsyningsledningen er beskadiget, skal den udskiftes af producenten eller et autoriseret Stanley FatMax-servicecenter for at undgå en fare.

Funktioner

Dette værktøj indeholder nogle eller alle af følgende funktioner.

1. Udløser med variabel hastighed
2. Fastlåsningsknap
3. Frem/tilbage-kontakt
4. Boretilstandsvælger
5. Borepatron med dobbelt bøsning
6. Sidehåndtag
7. Dybdemålerhul

Montering

Advarsel! Inden monteringen skal du sørge for, at værktøjet er slukket og dets stik taget ud af kontakten.

Påmontering af sidehåndtaget og dybdestoppet (fig. A)

- ◆ Drej grebet mod uret, indtil du kan skubbe sidehåndtaget (6) på værktøjets forside.
- ◆ Drej sidehåndtaget ind i den ønskede position, mens du sikrer dig, at hakkerne (6a) kobles ind i hakkerne på værktøjet (5a).

- For at udløse og dreje skal du skubbe håndtaget fremad for at justere og derefter sikre dig, at det er genkoblet med hakkerne til brug.
- Indsæt dybdemåleren (medfølger ikke) i monteringshullet (7) som vist.
- Indstil boreddybden som beskrevet herunder.
- Stram sidehåndtaget ved at dreje grebet med uret.

Indstilling af boreddybden (fig. A)

- Løsn sidehåndtaget (6) ved at dreje grebet mod uret.
- Indstil dybdemåleren (medfølger ikke) til den ønskede position. Den maksimale boreddybde er lig med afstanden mellem spidsen af borehovedet og den forreste ende af dybdemåleren.
- Stram sidehåndtaget ved at dreje grebet med uret.

Påmontering af tilbehør (fig. B)

- Åbn borepatronen ved at dreje bøsningen (5) mod uret.
- Indsæt borehovedskafet (8) i borepatronen.
- Stram borepatronen ved at dreje bøsningen med uret.

Brug

Advarsel! Lad værktøjet arbejde i dets eget tempo. Overbelast det ikke.

Advarsel! Inden du borer i vægge, gulve eller lofter, skal du se efter placeringen af ledninger og rør.

Tænde og slukke (fig. C)

- Tryk på udløseren med variabel hastighed (1) for at tænde for værktøjet. Værktøjets hastighed afhænger af, hvor langt du trykker kontakten ind.
- For kontinuerlig betjening skal du trykke på fastlåsningsskappen (2) og slippe udløseren med variabel hastighed. Denne mulighed virker ikke i tilbage-rotation.
- Slip udløseren med variabel hastighed for at slukke for værktøjet. For at slukke for værktøjet under kontinuerlig drift skal du trykke på udløseren med variabel hastighed igen og slippe den.

Valg af rotationsretningen (fig. D)

Ved boring og spænding af skruer skal du bruge fremad (med uret) rotation. Ved løsning af skruer eller fjernelse af et fastklemt borehoved skal du bruge tilbage (mod uret) rotation.

- For at vælge fremad rotation skal du skubbe frem/tilbage-skyderen (3) til venstre.
- For at vælge tilbage-rotation skal du skubbe frem/tilbage-skyderen til højre.

Advarsel! Skift aldrig rotationsretning, mens motoren er tændt.

Valg af boretilstanden (fig. E)

- Ved slagboring i murværk og beton skal du stille boretilstandsvælgeren (4) på **T**-positionen.

- Ved boring i stål, træ og plast eller ved iskrøning skal du stille driftstilstandsvælgeren (4) på **1**-positionen.

Tilbehør

Dit værktøjs ydeevne afhænger af det anvendte tilbehør. Stanley Fat Max-tilbehør er udviklet til at højne kvalitetsstandarder og er udformet til at forbedre dit værktøjs ydeevne. Når du bruger dette tilbehør, får du mest muligt ud af dit værktøj.

Vedligeholdelse

Dit Stanley Fat Max-apparat/-værktøj med eller uden ledninger er blevet udformet til at fungere gennem en lang periode med en minimal vedligeholdelse. Kontinuerlig tilfredsstillende drift afhænger af korrekt værktøjspleje og regelmæssig rengøring.

- Sluk for apparatet/værktøjet og træk stikket ud af kontakten.
- Eller sluk for apparatet/værktøjet og tag batteriet ud, hvis apparatet/værktøjet har en separat batteripakke.
- Eller køl batteriet helt ned, hvis det er indbygget, og sluk derefter.
- Tag opladeren ud af stikket, før du rengør det. Din oplader kræver ingen vedligeholdelse ud over regelmæssig rengøring.
- Rengør regelmæssigt ventilationshullerne i dit apparat/værktøj/oplader med en blød børste eller tør klud.
- Rengør motorhuset regelmæssigt med en fugtig klud.
- Brug ikke et slibende eller opløsningsbaseret rengøringsmiddel.
- Åbn regelmæssigt borepatronen, og bank på den for at fjerne evt. støv fra undersiden (når påmonteret).

Beskyttelse af miljøet



Særskilt indsamling af affald. Produkter og batterier markeret med dette symbol må ikke bortskaffes sammen med normalt husholdningsaffald.

Produkter og batterier indeholder materialer, der kan genindvindes eller genbruges, så behovet for råmaterialer reduceres. Du bedes genbruge elektriske produkter og batterier i overensstemmelse med lokale bestemmelser.

Yderligere oplysninger er tilgængelige på www.2helpU.com

Tekniske data

FMEH750 (type 1)		
Indgangsspænding	V_{AC}	230
Ubelastet hastighed	min^{-1}	0 ~ 3200
Slagfrekvens	min^{-1}	0 ~ 54400
Vægt	kg	1.95
Maks. boreeffekt		
Beton	mm	16
Stål	mm	13
Træ	mm	32

Niveau af lydtryk ifølge EN 60745:

Lydtryk (L_{pA}) 101 dB(A), usikkerhed (K) 3 dB(A)Lydeffekt (L_{WA}) 112 dB(A), usikkerhed (K) 3 dB(A)

Samlede vibrationsværdier (triax vektor-sum) ifølge EN 60745:

Slagboring i beton (a_{hv}) 14,6 m/s², usikkerhed (K) 1,5 m/s²
Boring i metal (a_{hD}) 3,8 m/s², usikkerhed (K) 1,5 m/s²

EF-overensstemmelseserklæring

MASKINDIREKTIV



FMEH750 Slagboremaskine

Stanley Europe erklærer, at disse produkter beskrevet under "tekniske data" er i overensstemmelse med: EN60745-1:2009+A11:2010, EN60745-2-1:2010.

Disse produkter er også i overensstemmelse med direktiv 2014/30/EU, 2006/42/EF og 2011/65/EU.

For yderligere oplysninger bedes du kontakte Black & Decker på følgende adresse eller se bagest i vejledningen.

Undertegnede er ansvarlig for kompileringen af den tekniske fil og foretager denne erklæring på vegne af Stanley FatMax.

R. Laverick
Direktør for Engineering
Stanley Europe, Egide Walschaertsstraat 14-18,
2800 Mechelen, Belgium
19/02/2018

Garanti

Stanley Fat Max er sikker på kvaliteten af deres produkter og tilbyder forbrugere en garanti på 12 måneder fra købsdatoen. Denne garanti er en tilføjelse til dine lovbestemte rettigheder. Garantien er gyldig inden for medlemsstaterne af Den Europæiske Union og Det Europæiske Frihandelsområde.

For at gøre krav på denne garanti skal kravet være i overensstemmelse med Stanley Fat Max' vilkår og betingelser, og du skal indsende bevis på købet til sælgeren eller en autoriseret reparationsrepræsentant. Vilkår og betingelser for Stanley Fat Max-garantien på 1 år og beliggenheden af din nærmeste autoriserede reparationsrepræsentant kan fås på internettet på adressen www.2helpU.com eller ved at kontakte dit lokale Stanley Fat Max-kontor på adressen, der er angivet i denne vejledning.

Gå ind på vores website www.stanley.eu/3 for at registrere dit nye Stanley Fat Max-produkt og modtage opdateringer om nye produkter og særtilbud.

Käyttötarkoitus

Stanley Fat Max, FMEH750 -iskupora on tarkoitettu puun, metallin, muovin ja kivimateriaalin poraamiseen sekä ruuvaussovelluksiin. Nämä työkalut on tarkoitettu sekä ammattikäyttöä yksityiskäyttöön.

Turvallisuusohjeet - Yleiset sähkötyökalujen varoitukset



Varoitus! Lue kaikki varoitukset ja kaikki ohjeet. Mikäli alla annettuja varoituksia ja ohjeita ei noudateta, seurauksena voi olla sähköisku, tulipalo ja/tai vakava henkilövahinko.

Säilytä kaikki varoitukset ja ohjeet tulevia käyttökertoja varten. Varoituksien termi "sähkötyökalu" tarkoittaa verkkovirralla toimivia (johdollisia) sekä akkutoimisia (langattomat) sähkötyökaluja.

1. Työalueen turvallisuus

- Varmista työalueen puhtaus ja hyvä valaistus.** Onnettomuuksia tapahtuu helpommin epäsiistissä tai huonosti valaistussa tilassa.
- Sähkötyökalua ei saa käyttää räjähdysalttiissa ympäristöissä, kuten syttyvien nesteiden, kaasun tai pölyn lähettyvillä.** Sähkötyökaluista syntyy kipinöitä, jotka voivat sytyttää pölyn tai höyryt.
- Lapsia tai sivullisia ei saa päästää työalueelle sähkötyökalua käyttäessä.** Epähuomio voi aiheuttaa hallinnan menettämisen.

2. Sähköturvallisuus

- Sähkötyökalujen pistokkeiden on sovitava pistorsiaan. Pistoketta ei saa koskaan muuttaa millään tavalla.** Maadoitettujen sähkötyökalujen kanssa ei saa käyttää sovitinpistokkeita. Sähköiskun vaara on pienempi, kun pistokkeita ei ole muutettu mitenkään ja ne liitetään sopivaan pistorsiaan.
- Vältä koskettamasta maadoitettuihin pintoihin, kuten putkiin, lämpöpattereihin, liesiin ja jäähdyttimiin.** Sähköiskun vaara on suurempi, jos kehosi on maadoitettu.
- Sähkötyökaluja ei saa käyttää sateessa tai märissä olosuhteissa.** Jos sähkötyökalun sisään pääsee vettä, olemassa on suurempi sähköiskun vaara.
- Virtajohtoa ei saa käyttää väärin. Älä koskaan kuljeta, vedä tai irrota laitetta pistorsiaasta johdosta kiinni pitäen. Suojaa johto lämmöltä, öljyltä, teräviltä reunoilta ja liikkuvilta osilta.** Vaurioituneet tai kietoutuneet johdot lisäävät sähköiskun vaaraa.
- Kun sähkötyökalua käytetään ulkona, käytä ulkokäyttöön sopivaa jatkojohtoa.** Ulkokäyttöön sopivan johdon käyttö vähentää sähköiskun vaaraa.

f. Jos sähkötyökalun käyttö on välttämätöntä kosteassa paikassa, käytä vikavirtasuojakytkimellä suojattua virtälähdettä. Vikavirtasuojakytkin vähentää sähköiskun vaaraa.

3. Henkilöturvallisuus

- a. Pysy valppaana, tarkkaile toimenpiteitäsi ja käytä sähkötyökalua terveellä maalaisjärjellä. Älä käytä sähkötyökalua väsyneenä tai huumausaineiden, alkoholin tai lääkkeiden vaikutuksen alaisena. Hetkeä linenkin epähuomio sähkötyökalun käytön aikana voi johtaa vakaviin henkilövahinkoihin.
- b. Käytä henkilökohtaisia suojavarusteita. Käytä aina suojalaseja. Käytä olosuhteiden mukaisia suojavarusteita (esim. pölynaamari, liukuesteiset turvajalkineet, kypärä tai kuulonsuojaimia) henkilövahinkojen välttämiseksi.
- c. Vältä käynnistyminen vahingossa. Varmista, että kytkin on Off-asennossa ennen työkalun liittämistä virtälähteeseen ja/tai akkuun, työkalun nostamista tai kuljettamista. Onnettomuuksia voi sattua, jos sähkötyökaluja kuljetetaan pitämällä sormea kytkimellä tai ne käynnistetään kytkimen ollessa päällä.
- d. Poista säätöavaimet tai avaimet ennen sähkötyökalun kytkemistä päälle. Jos sähkötyökalun pyöriivään osaan on kiinnitetty jokin avain, seurauksena voivat olla henkilövahingot.
- e. Älä kurkottele. Varmista aina hyvä jalansija ja tasapaino. Täten varmistat sähkötyökalun paremman hallinnan odottamattomissa tilanteissa.
- f. Pukeudu asianmukaisesti. Älä käytä löysiä vaatteita tai koruja. Hiukset, vaatteet ja suojakäsineet on pidettävä poissa työkalun liikkuvista osista. Löysät vaatteet, korut tai pitkät hiukset voivat jäädä kiinni liikkuviin osiin.
- g. Jos laitteessa on liitántä pölynpoisto- tai pölynkeräysjärjestelmiä varten, varmista niiden oikeaoppinen liitántä ja käyttö. Pölynkeräysjärjestelien käyttö voi vähentää pölyn aiheuttamia vaaroja.

4. Sähkötyökalujen käyttö ja ylläpito

- a. Älä kohdistaa sähkötyökaluun voimaa. Käytä käyttötarkoitukseen sopivaa sähkötyökalua. Oikea sähkötyökalu suorittaa toimenpiteen paremmin ja turvallisemmin sen suunnitellulla käyttönopeudella.
- b. Älä käytä sähkötyökalua, jos sen kytkin ei kytky virtaa päälle ja pois päältä. Sähkötyökalut, joita ei voida haluta kytkimellä, ovat vaarallisia ja ne on korjattava.
- c. Irrota pistoke virtälähteestä ja/tai akku sähkötyökalusta ennen sähkötyökalun säätämistä, lisävarusteiden vaihtoa tai varastointia. Nämä ennakoivat varotoimenpiteet vähentävät sähkötyökalun odottamatonta käynnistymisvaaraa.

- d. Säilytä käyttämättömiä työkaluja lasten ulottumattomissa. Älä anna sellaisten henkilöiden käyttää sähkötyökalua, jotka eivät tunne sitä ja näitä käyttöohjeita. Sähkötyökalut ovat vaarallisia kouluttamattomien henkilöiden käsissä.
- e. Sähkötyökalut vaativat ylläpitoa. Tarkista liikkuvat osat virheellisen kohdistumisen tai kiinnijuuttumisen sekä osien vaurioiden varalta ja muut olosuhteet, jotka voivat vaikuttaa sähkötyökalun toimintaan. Jos sähkötyökalussa on vaurioita, se on korjattava ennen käyttöä. Monet onnettomuudet johtuvat huonosti ylläpidetyistä sähkötyökaluista.
- f. Leikkausvälineet on pidettävä terävinä ja puhtaina. Oikein ylläpidetyt leikkausvälineet terävillä leikkausreunoilla juuttuvat harvemmin kiinni ja niiden hallinta on helpompaa.
- g. Käytä sähkötyökalua, lisävarusteita ja työkalun teriä jne. näiden ohjeiden mukaisesti huomioiden työskentelyolosuhteet sekä suoritettavat toimenpiteet. Jos sähkötyökalua käytetään muihin kuin sen suunniteltuihin käyttötarkoituksiin, seurauksena voi olla vaaratilanne.

5. Huolto

- a. Anna pätevän korjaajan huoltaa sähkötyökalu alkuperäisiä varaosia käyttäen. Täten taataan sähkötyökalun turvallisuus.

Sähkötyökalun lisäturvaohjeet



Varoitus! Porien ja iskuporien lisäturvaohjeet.

- ◆ Käytä kuulonsuojaimia iskuporaamisen aikana. Melu voi aiheuttaa kuulon heikentymistä.
- ◆ Käytä työkalun mukana toimitettuja lisäkahvoja. Hallinnan menetys voi johtaa henkilövahinkoihin.
- ◆ Pidä kiinni sähkötyökalun eristetyistä kahvoista, kun leikkausväline voi koskettaa piilossa oleviin johtoihin toimenpiteen aikana. Jos leikkausväline koskettaa jännitteenalaisia johtoja, jännite voi välittyä sähkötyökalun suojaamattomiin metalliosiin ja aiheuttaa sähköiskun.
- ◆ Älä koskaan käytä talttaa vääntötillassa. Lisävaruste juuttuu materiaaliin kiinni ja aiheuttaa poran kierron.
- ◆ Varmista työstökappaleen hyvä kiinnitys tukevaan alustaan ja sen hyvä tuki käyttämällä puristimia tai toista käytännöllistä tapaa. Jos työstökappaletta pidetään käsillä tai kehoa vasten, se on epävaka ja seurauksena voi olla hallinnan menetys.
- ◆ Tarkista kohde johtojen ja putkien varalta ennen siniini, lattioihin tai kattoihin poraamista.
- ◆ Vältä koskettamasta poranterän kärkeä heti poraamisen jälkeen, sillä se voi olla kuuma.

- ◆ Tätä työkalua eivät saa käyttää henkilöt (mukaan lukien lapset), joilla on fyysisiä, aistillisia tai henkisiä puutteita tai puutteellinen kokemus ja tuntemus, ellei heidän turvallisuudestaan vastaava henkilö valvo tai ohjaa heitä laitteen käytössä. Lapsia on valvottava, jotta he eivät leikkisi laitteella.
- ◆ Käyttötarkoituks on kuvattu tässä ohjekirjassa. Jos tässä työkalussa käytetään muita kuin tässä ohjekirjassa suositeltuja lisävarusteita tai tarvikkeita tai työkalulla suoritetaan muita kuin tässä ohjekirjassa suositeltuja toimenpiteitä, olemassa on henkilö- ja/tai omaisuusvahinkovaara.
- ◆ Käytä suojanaamaria tai hengityssuojainta, kun toimenpiteistä voi syntyä pölyä tai hiukkasia.

Muiden turvallisuus

- ◆ Tätä laitetta eivät saa käyttää henkilöt (mukaan lukien lapset), joilla on fyysisiä, aistillisia tai henkisiä puutteita tai puutteellinen kokemus ja tuntemus, ellei heidän turvallisuudestaan vastaava henkilö valvo tai ohjaa heitä laitteen käytössä.
- ◆ Lapsia on valvottava, jotta he eivät leikkisi laitteella.

Jäännösriskit

Muita jäännösriskkejä voi olla olemassa käyttäessä työkalua, jota ei ole huomioitu annetuissa varoituksissa. Kyseiset riskit voivat liittyä väärinkäyttöön, pitkäaikaiseen käyttöön jne. Joitakin jäännösriskkejä ei voida välttää edes noudattamalla asiaankuuluvia turvamääräyksiä ja käyttämällä turvajärjestelmiä. Niihin kuuluvat seuraavat:

- ◆ Henkilövahingot, jotka johtuvat pyöriviin/liikkuviin osiin koskettamisesta.
- ◆ Henkilövahingot, jotka johtuvat vaihtaessa osia, teriä tai lisävarusteita.
- ◆ Henkilövahingot, jotka johtuvat työkalun pitkäaikaisesta käytöstä. Pidä säännöllisiä taukoja käyttäessä työkalua pitkiä aikajaksoja.
- ◆ Kuulon heikentyminen.
- ◆ Terveysvaarat, jotka aiheutuvat työkalun käytön aikana syntyvästä pölystä (esimerkki: - käsitellessä puuta, erityisesti tammea, pyökkiä ja puolikovaa kuitulevyä).

Tärinä

Teknisissä tiedoissa ja vaatimustenmukaisuusvakuutuksessa annetut tärinäpäästöarvot on mitattu standardin EN 60745 vakiotestimenetelmien mukaan ja niitä voidaan käyttää eri työkalujen vertaamiseen. Annettua tärinäpäästöarvoa voidaan käyttää myös altistumisen alustavassa arvioinnissa.

Varoitus! Todellinen tärinäpäästöarvo sähkötyökalun käytön aikana voi poiketa annetusta arvosta työkalun käyttötavasta riippuen. Tärinätaso voi nousta annetun tason yläpuolelle. Kun altistumista tärinälle arvioidaan direktiivin 2002/44/EY

vaatimien turvatoimien määrittämiseksi ja sähkötyökaluja säännöllisesti käyttävien käyttäjien suojaamiseksi, tärinälle altistumista arvioidessa on huomioitava todelliset käyttöolosuhteet sekä työkalun käyttötapa, mukaan lukien kaikki käyttöjakson elementit (esim. työkalun sammutusajat sekä tyhjäkäyntiajat käyttöajan lisäksi).

Työkalun merkit

Seuraavat kuvakkeet näkyvät työkalussa päivämääräkoodin ohella:



Varoitus! Käyttäjän on luettava ohjekirja henkilövahinkovaaran välttämiseksi.



Käytä kuulonsuojaimia iskuporaamisen aikana. Melu voi aiheuttaa kuulon heikentymistä.

Sähköturvallisuus



Tämä työkalu on kaksoiseristetty, se ei täten vaadi maadoitusjohtoa. Tarkista aina, että virtalähteen jännitearvo vastaa arvokilvessä annettua jännitettä.

- ◆ Jos virtajohto on vaurioitunut, vaaratilanteiden välttämiseksi se on vietävä valmistajalle tai valtuutettuun Stanley FatMax-huoltopalveluun johdon vaihtoa varten.

Ominaisuudet

Tämä työkalu sisältää kaikki seuraavat ominaisuudet tai vain joitakin niistä.

1. Portaaton nopeudensäädin
2. Lukituspainike
3. Suunnanvaihtokytkin
4. Poraustilan valitsin
5. Kaksilaippainen istukka
6. Sivukahva
7. Syvyyssmittarin reikä

Kokoaminen

Varoitus! Ennen asentamista tulee varmistaa, että työkalu on kytketty pois päältä ja irrotettu virtalähteestä.

Sivukahvan ja syvyyssäätimen asentaminen (kuva A)

- ◆ Kierrä kahvaa vastapäivään, kunnes sivukahva (6) voidaan liu'uttaa työkalun etuosaan.
- ◆ Kierrä sivukahva haluamaasi kohtaan varmistuen, että syvennykset (6a) kytkeytyvät työkalussa (5a) oleviin syvennyksiin.
- ◆ Vapauta ja käännä liu'uttamalla kahvaa eteenpäin sen säätämiseksi. Varmista, että se on kytkeytynyt uudelleen syvennyksiin käyttöä varten.
- ◆ Aseta syvyyssmittari (ei kuulu pakkaukseen) asennusreikään (7) kuvan mukaisesti.

- ◆ Aseta porausvyövyys alla annettujen ohjeiden mukaisesti.
- ◆ Kiristä sivukahva kiertämällä kahvaa myötöpäivään.

Porausvyövytyden asettaminen (kuva A)

- ◆ Löysää sivukahvaa (6) kiertämällä kahvaa vastapäivään.
- ◆ Aseta syvyysmittari (ei kuulu pakkaukseen) haluamaasi kohtaan. Maksimiporausvyövyys vastaa poranterän ja syvyysmittarin etuosan välistä etäisyyttä.
- ◆ Kiristä sivukahva kiertämällä kahvaa myötöpäivään.

Lisävarusteiden asentaminen (kuva B)

- ◆ Avaa istukka kääntämällä laippaa (5) vastapäivään.
- ◆ Aseta terän akseli (8) istukkaan.
- ◆ Kiristä istukka kääntämällä laippaa myötöpäivään.

Käyttö

Varoitus! Anna työkalun käydä omaan tahtiin. Vältä sen ylikuormittamista.

Varoitus! Tarkista kohde johtojen ja putkien varalta ennen seiniin, lattioihin tai kattoihin poraamista.

Kytkeminen päälle ja pois päältä (kuva C)

- ◆ Kytke työkalu päälle painamalla portaaton nopeudensäädintä (1). Työkalun nopeus riippuu siitä, miten syväälle kytkintä painetaan.
- ◆ Kun haluat käyttää työkalua keskeytyksettä, paina lukituspainiketta (2) ja vapauta portaaton nopeudensäädin. Tämä toiminto ei ole käytettävissä vastakkaisessa kiertosuunnassa.
- ◆ Kytke työkalu pois päältä vapauttamalla portaaton nopeudensäädin. Voit sammuttaa työkalun keskeyttämättömässä käytössä painamalla portaaton nopeudensäädintä vielä kerran ja vapauttamalla sen.

Kiertosuunnan valitseminen (kuva D)

Valitse eteenpäin (myötöpäivään) kierto poraamisen ja ruuvien kiristämisen ikana. Valitse taaksepäin (vastapäivään) kierto, kun haluat löysätä ruuveja tai poistaa kiinnijuuuttuneen poranterän.

- ◆ Valitse eteenpäin kierto painamalla suunnanvaihtokytkin (3) vasemmalta.
- ◆ Valitse taaksepäin kierto painamalla suunnanvaihtokytkin oikealle.

Varoitus! Älä koskaan vaihda kiertosuuntaa moottorin ollessa käynnissä.

Poraustilan valitseminen (kuva E)

- ◆ Kun iskuporaat kivimateriaalia tai betonia, aseta poraustilan valitsin (4) **T**-asentoon.
- ◆ Kun poraat terästä, puuta tai muovia tai ruuvaat ruuveja, aseta käyttötilan valitsin (4) **1**-asentoon.

Lisävarusteet

Työkalun teho riippuu käytetystä lisävarusteesta. Stanley Fat Max -lisävarusteet on valmistettu korkeiden laatustandardien mukaisesti ja tarkoitettu työkalun parasta suorituskykyä varten. Näitä lisävarusteita käyttäessä hyödynnät työkalun ominaisuudet parhaiten.

Huolto

Johdollinen/akkutoiminen Stanley Fat Max -laite/työkalu on tarkoitettu toimimaan pitkän aikajakson ajan minimaalisella ylläpidolla. Hyvä suorituskyky jatkuvassa käytössä riippuu työkalun ylläpidosta ja säännöllisestä puhdistamisesta.

- ◆ Sammuta laite/työkalu ja irrota se sähköverkosta.
- ◆ Tai sammuta ja poista akku laitteesta/työkalusta, jos laitteesta/työkalussa on erillinen akku.
- ◆ Tai käytä akkuvirta kokonaan loppuun, jos se on integroitu laitteeseen ja sammuta sen jälkeen.
- ◆ Irrota laturi virtalähteestä ennen sen puhdistusta. Laturi ei vaadi ylläpitoa, ainoastaan säännöllistä puhdistusta.
- ◆ Puhdista laitteen/työkalun/laturin tuuletusaukot säännöllisesti pehmeällä harjalla tai kuivalla liinalla.
- ◆ Puhdista moottorin kotelo säännöllisesti kostealla liinalla. Älä käytä hankaavia tai liuotinpohjaisia puhdistusaineita.
- ◆ Avaa istukka säännöllisesti ja napauta sitä sen tyhjentämiseksi pölystä (jos varusteena).

Ympäristönsuojelu



Erilliskeräys. Tällä symbolilla merkityt tuotteet ja akkuja ei saa hävittää normaalin kotitalousjätteen mukana.

Tuotteissa ja akuissa on materiaaleja, jotka voidaan kerätä talteen tai kierrättää raakamateriaalien käytön vähentämiseksi. Sähkölaitteet ja akut on kierrätettävä paikallisten määräysten mukaisesti.

Lisätietoa on saatavilla osoitteessa www.2helpU.com

Tekniset tiedot

FMEH750 (Tyyppi 1)		
Tulojännite	V_{AC}	230
Kuormittamaton nopeus	min^{-1}	0 ~ 3200
Impact rate	min^{-1}	0 ~ 54400
Paino	kg	1.95
Maks. porausteho		
Betoni	mm	16
Teräs	mm	13
Puu	mm	32

Äänenpainetaso standardin EN 60745 mukaisesti:	
Äänenpaine (L_{pA})	101 dB(A), epävarmuus (K) 3 dB(A)
Ääniteho (L_{WA})	112 dB(A), epävarmuus (K) 3 dB(A)

Kokonaistärinäarvot (triax-vektorisumma) standardin EN 60745 mukaisesti:

Iskuporaus betoniin (a_h, a_v) 14,6 m/s², epävarmuus (K) 1,5 m/s²
Poraus metalliin (a_h, a_v) 3,8 m/s², epävarmuus (K) 1,5 m/s²

EY-vaatimustenmukaisuusvakuutus

KONEDIREKTIIVI



FMEH750 Iskupora

Stanley Europe vakuuttaa, että nämä kohdassa "tekniset tiedot" kuvatut tuotteet täyttävät seuraavat standardit: EN60745-1:2009+A11:2010, EN60745-2-1:2010.

Nämä tuotteet täyttävät lisäksi direktiivien 2014/30/EY, 2006/42/EY ja 2011/65/EY vaatimukset.

Pyydä lisätietoa ottamalla yhteyttä Black & Deckeriin seuraavaan osoitteeseen tai katso ohjekirjan takaosa.

Allkirjoittanut henkilö vastaa teknisen asiakirjan tiedoista ja tekee tämän vakuutuksen Stanley FatMaxin puolesta.

R. Laverick

Teknisen osaston päällikkö

Stanley Europe, Egide Walschaertsstraat 14-18,
2800 Mechelen, Belgia

19.2.2018

Takuu

Stanley Fat Max luottaa tuotteidensa laatuun ja tarjoaa kuluttajille 12 kuukauden takuun, joka astuu voimaan ostopäivänä. Tämä takuu ei vaikuta mitenkään laillisiin oikeuksiisi vaan se täydentää niitä. Takuu on voimassa Euroopan unionin jäsenmaissa ja Euroopan vapaakauppa-alueella.

Takuu edellyttää, että vaatimus täyttää Stanley Fat Max -yhtiön ehdot ja ostosote toimitetaan myyjälle tai valtuutettuun korjauspalveluun. Stanley Fat Max -yhtiön yhden vuoden takuun ehdot ja lähimmän valtuutetun huoltopalvelun tiedot ovat saatavilla verkko-osoitteessa www.2helpU.com tai ottamalla yhteyttä paikalliseen Stanley Fat Max -toimistoon tässä ohjekirjassa annettuja yhteystietoja käyttäen.

Osoitteessa www.stanley.eu/3 voit rekisteröidä uuden Stanley Fat Max -tuotteesi ja saada tietoa uusista tuotteista sekä erikoistarjouksia.

Προβλεπόμενη χρήση

Το κρουστικό σας δράπανο Stanley Fat Max, FMEH750 έχει σχεδιαστεί για διάτρηση σε ξύλο, μέταλλο, πλαστικά και λυκία τοιχοποιίας, καθώς και για εφαρμογές βιδώματος/ ξεβιδώματος. Αυτά τα εργαλεία προορίζονται για επαγγελματίες, αλλά και για ιδιώτες, μη επαγγελματίες χρήστες.

Οδηγίες ασφαλείας Γενικές προειδοποιήσεις ασφαλείας για ηλεκτρικά εργαλεία



Προειδοποίηση! Διαβάστε όλες τις προειδοποιήσεις ασφαλείας και όλες τις οδηγίες. Η μη τήρηση των προειδοποιήσεων και οδηγιών που αναφέρονται παρακάτω μπορεί να είναι αιτία ηλεκτροπληξίας, πυρκαγιάς και/ή σοβαρού τραυματισμού.

Φυλάξτε όλες τις προειδοποιήσεις και οδηγίες για μελλοντική αναφορά. Ο όρος «ηλεκτρικό εργαλείο» σε όλες τις προειδοποιήσεις, αναφέρεται σε ηλεκτρικό εργαλείο που τροφοδοτείται με ρεύμα από το ηλεκτρικό δίκτυο (με καλώδιο) ή σε ηλεκτρικό εργαλείο που λειτουργεί με μπαταρία (χωρίς καλώδιο).

1. Ασφάλεια στο χώρο εργασίας

- Διατηρείτε το χώρο εργασίας καθαρό και καλά φωτισμένο.** Η ακατάστατο ή σκοτεινοί χώροι γίνονται αιτίες ατυχημάτων.
- Μη χρησιμοποιείτε ηλεκτρικά εργαλεία σε εκρηκτικά περιβάλλοντα, όπως με παρουσία εύφλεκτων υγρών, αερίων ή σκόνης.** Τα ηλεκτρικά εργαλεία παράγουν σπινθήρες οι οποίοι μπορούν να προκαλέσουν ανάφλεξη σκόνης ή αναθυμιάσεων.
- Κρατάτε παιδιά και παρευρισκόμενους μακριά όταν χρησιμοποιείτε ηλεκτρικό εργαλείο.** Παράγοντες που αποσπούν την προσοχή μπορεί να σας κάνουν να χάσετε τον έλεγχο.

2. Ασφάλεια χρήσης ηλεκτρικού ρεύματος

- Τα φως των ηλεκτρικών εργαλείων πρέπει να ταιριάζουν στην πρίζα. Ποτέ μην τροποποιήσετε το φως με κανένα τρόπο.** Μη χρησιμοποιήσετε οποιοδήποτε αντάππορα φως με γειωμένα ηλεκτρικά εργαλεία. Η χρήση μη τροποποιημένων φως και κατάλληλης πρίζας μειώνει τον κίνδυνο ηλεκτροπληξίας.
- Αποφύγετε την επαφή του σώματος με γειωμένες επιφάνειες όπως σωληνώσεις, σώματα καλοριφέρ, συσκευές μαγειρέματος και ψυγεία.** Υπάρχει αυξημένος κίνδυνος ηλεκτροπληξίας αν το σώμα σας είναι γειωμένο.
- Μην εκθέτετε ηλεκτρικά εργαλεία σε βροχή ή υγρές συνθήκες.** Η διεύδωση νερού σε ένα ηλεκτρικό εργαλείο αυξάνει τον κίνδυνο ηλεκτροπληξίας.

- δ. Μην κακομεταχειρίζεστε το καλώδιο. Ποτέ μη χρησιμοποιήσετε το καλώδιο για να μεταφέρετε, να τραβήξετε ή να αποσυνδέσετε από την πρίζα το ηλεκτρικό εργαλείο. Κρατάτε το καλώδιο μακριά από θερμότητα, λάδι, αιχμηρές άκρες ή κινούμενα μέρη. Τα καλώδια που έχουν υποστεί ζημιά ή είναι μπερδεμένα αυξάνουν τον κίνδυνο ηλεκτροπληξίας.
- ε. Όταν χρησιμοποιείτε ένα ηλεκτρικό εργαλείο σε εξωτερικό χώρο, χρησιμοποιείτε καλώδιο επέκτασης κατάλληλο για χρήση σε εξωτερικό χώρο. Η χρήση καλωδίου κατάλληλου για εργασία σε εξωτερικούς χώρους μειώνει τον κίνδυνο ηλεκτροπληξίας.
- στ. Αν είναι αναπόφευκτη η χρήση ηλεκτρικού εργαλείου σε υγρές συνθήκες, χρησιμοποιήστε παροχή ρεύματος που προστατεύεται από διάταξη προστασίας από διαρροή ρεύματος (RCD). Η χρήση ρελέ διαρροής μειώνει τον κίνδυνο ηλεκτροπληξίας.

3. Ατομική ασφάλεια

- α. Να είστε πάντα σε εγρήγορση, να προσέχετε τι κάνετε και να χρησιμοποιείτε κοινή λογική όταν χρησιμοποιείτε ηλεκτρικό εργαλείο. Μη χρησιμοποιείτε ηλεκτρικό εργαλείο όταν είστε κουρασμένος/ή ή υπό την επήρεια ναρκωτικών ή οινοπνεύματος ή φαρμάκων. Μία μόνο στιγμή απροσεξίας κατά τη χρήση ηλεκτρικών εργαλείων μπορεί να είναι αιτία σοβαρού τραυματισμού.
- β. Χρησιμοποιείτε εξοπλισμό ατομικής προστασίας. Φοράτε πάντα προστασία ματιών. Ο εξοπλισμός προστασίας όπως μάσκα σκόνης, αντιοιολογητικά υποδήματα ασφαλείας, κράνος ή προστασία ακοής που χρησιμοποιείται για τις κατάλληλες συνθήκες μπορεί να μειώσει τις σωματικές βλάβες.
- γ. Αποτρέψτε αθέλητη έναρξη λειτουργίας. Να βεβαιώνετε ότι ο διακόπτης είναι στη θέση απενεργοποίησης πριν συνδέσετε το εργαλείο στην πηγή ρεύματος και/ή στο πακέτο μπαταριών, πριν πάρετε στα χέρια σας ή μεταφέρετε το εργαλείο. Η μεταφορά ηλεκτρικών εργαλείων με το δάκτυλό σας στο διακόπτη ή τη σύνδεση στο ρεύμα ηλεκτρικών εργαλείων που έχουν ενεργοποιημένο το διακόπτη αποτελούν πηγή ατυχημάτων.
- δ. Αφαιρείτε κάθε κλειδί ρύθμισης ή μηχανικό κλειδί πριν ενεργοποιήσετε το ηλεκτρικό εργαλείο. Αν έχει μείνει οποιοδήποτε κλειδί συνδεδεμένο σε περιστρεφόμενο μέρος του ηλεκτρικού εργαλείου, μπορεί να προκληθεί τραυματισμός.
- ε. Μην τεντώνετε υπερβολικά. Διατηρείτε πάντα καλή στήριξη με τα πόδια και καλή ισοροπία. Έτσι εξασφαλίζεται καλύτερος έλεγχος του ηλεκτρικού εργαλείου σε μη αναμενόμενες καταστάσεις.
- στ. Να είστε ενδεδυμένοι κατάλληλα. Μη φοράτε ρούχα με χαλαρή εφαρμογή ή κοσμήματα. Κρατάτε τα μαλλιά,

τα ρούχα και τα γάντια σας μακριά από κινούμενα μέρη. Τα χαλαρά ρούχα, τα κοσμήματα ή τα μακριά μαλλιά μπορούν να πιαστούν σε κινούμενα μέρη.

- ζ. Αν παρέχονται διατάξεις για τη σύνδεση εξοπλισμού απομάκρυνσης και συλλογής της σκόνης, να βεβαιώνετε ότι αυτός έχει συνδεθεί και χρησιμοποιείται σωστά. Η χρήση εξοπλισμού συλλογής της σκόνης μπορεί να μειώσει τους κινδύνους από τη σκόνη.

4. Χρήση και φροντίδα ηλεκτρικών εργαλείων

- α. Μην ασκείτε υπερβολική δύναμη στο εργαλείο. Χρησιμοποιείτε το σωστό εργαλείο για την εφαρμογή σας. Το σωστό ηλεκτρικό εργαλείο θα κάνει την εργασία καλύτερα και ασφαλέστερα με το ρυθμό που σχεδιάστηκε.
- β. Μη χρησιμοποιήσετε το ηλεκτρικό εργαλείο αν ο διακόπτης δεν το ενεργοποιεί ή δεν το απενεργοποιεί. Οποιοδήποτε ηλεκτρικό εργαλείο δεν μπορεί να ελεγχθεί με το διακόπτη είναι επικίνδυνο και πρέπει να επισκευαστεί.
- γ. Αποσυνδέστε το φως από την πηγή ρεύματος και/ή το πακέτο μπαταριών από το εργαλείο πριν κάνετε οποιαδήποτε ρύθμιση ή αλλαγή αξεσουάρ και πριν τη φύλαξη των ηλεκτρικών εργαλείων. Τέτοια προληπτικά μέτρα ασφαλείας μειώνουν τον κίνδυνο αθέλητης εκκίνησης του ηλεκτρικού εργαλείου.
- δ. Φυλάσσετε τα μη χρησιμοποιούμενα ηλεκτρικά εργαλεία μακριά από παιδιά και μην επιτρέπτε να χρησιμοποιούν το ηλεκτρικό εργαλείο πρόσωπα μη εξοικειωμένα με το ηλεκτρικό εργαλείο ή με αυτές τις οδηγίες. Τα ηλεκτρικά εργαλεία είναι επικίνδυνα στα χέρια ανεπαρκώς εκπαιδευτων χρηστών.
- ε. Συντηρείτε τα ηλεκτρικά εργαλεία. Ελέγχετε για τυχόν κακή ευθυγράμμιση ή μάγκωμα των κινούμενων μερών, θραύση εξαρτημάτων και οποιαδήποτε άλλη συνθήκη μπορεί να επηρεάσει τη λειτουργία του ηλεκτρικού εργαλείου. Αν το ηλεκτρικό εργαλείο υποστεί ζημιά, φροντίστε να επισκευαστεί πριν χρησιμοποιηθεί. Πολλά ατυχήματα προκαλούνται από κακοσυντηρημένα ηλεκτρικά εργαλεία.
- στ. Διατηρείτε τα εργαλεία κοπής κοφτερά και καθαρά. Τα σωστά συντηρημένα κοπτικά εργαλεία με αιχμηρές κοπτικές αιχμές έχουν μικρότερη πιθανότητα να μαγκώσουν και ελέγχονται ευκολότερα.
- ζ. Χρησιμοποιείτε το ηλεκτρικό εργαλείο, τα αξεσουάρ και τα κοπτικά εξαρτήματα του εργαλείου σύμφωνα με αυτές τις οδηγίες, λαμβάνοντας υπόψη τις συνθήκες εργασίας και την προς εκτέλεση εργασία. Η χρήση του ηλεκτρικού εργαλείου για εργασίες διαφορετικές από τις προβλεπόμενες θα μπορούσε να προκαλέσει επικίνδυνη κατάσταση.

5. Σέρβις

- α. **Αναθέτετε το σέρβις του εργαλείου σας σε# εξειδικευμένο τεχνικό επισκευής με χρήση μόνο παανομιούτυπων ανταλλακτικών.** Έτσι θα εξασφαλίσετε τη διατήρηση της ασφάλειας του ηλεκτρικού εργαλείου.

Πρόσθετες προειδοποιήσεις ασφαλείας για ηλεκτρικά εργαλεία



Προειδοποίηση! Πρόσθετες προειδοποιήσεις ασφαλείας για δρόπανα και κρουστικά δρόπανα.

- ◆ **Φοράτε προστατευτικά ακοής με κρουστικά δρόπανα.** Η έκθεση σε θόρυβο μπορεί να προκαλέσει απώλεια ακοής.
- ◆ **Χρησιμοποιείτε τις βοηθητικές λαβές που παρέχονται με το εργαλείο.** Η απώλεια ελέγχου μπορεί να προκαλέσει σωματική βλάβη.
- ◆ **Κρατάτε το ηλεκτρικό εργαλείο από μονωμένες επιφάνειες λαβής όταν εκτελείτε μια εργασία όπου το αξεσουάρ κοπής μπορεί να έρθει σε επαφή με αθέατα καλώδια.** Αν το αξεσουάρ κοπής έρθει σε επαφή με καλώδιο υπό τάση μπορεί να τεθούν υπό ηλεκτρική τάση και τα εκτεθειμένα μεταλλικά μέρη του ηλεκτρικού εργαλείου και να προκληθεί ηλεκτροπληξία στο χειριστή.
- ◆ **Ποτέ μη χρησιμοποιήσετε αξεσουάρ σμίλης σε περιστροφική λειτουργία.** Το αξεσουάρ θα μαγκώσει στο υλικό και θα περιστραφεί το δρόπανο.
- ◆ **Χρησιμοποιείτε σφικτήρες ή άλλον πρακτικό τρόπο για να στερεώσετε και να υποστηρίξετε το τεμάχιο εργασίας σε σταθερή επιφάνεια εργασίας.** Αν κρατάτε το τεμάχιο εργασίας με το χέρι σας ή κόντρα στο σώμα σας, αυτό δεν είναι σταθερό και μπορεί να προκληθεί απώλεια ελέγχου.
- ◆ **Πριν τη διατήρηση σε τοίχους, δάπεδα ή οροφές, ελέγξτε για τη θέση καλωδίων και σωληνών.**
- ◆ **Αποφεύγετε να αγγίζετε τη μύτη ενός τρυπανιού αμέσως μετά τη διατήρηση, γιατί μπορεί να είναι καυτή.**
- ◆ **Αυτό το εργαλείο δεν προορίζεται για χρήση από άτομα (περιλαμβανομένων παιδιών) με μειωμένες σωματικές, αισθητηριακές ή πνευματικές ικανότητες, ή με έλλειψη εμπειρίας και γνώσης, εκτός αν σε αυτά έχει παρασχεθεί από άτομο υπεύθυνο για την ασφάλειά τους επίβλεψη ή εκπαίδευση σχετικά με τη χρήση της συσκευής.** Τα παιδιά θα πρέπει να βρίσκονται υπό επίβλεψη ώστε να διασφαλίζεται ότι δεν παίζουν με τη συσκευή.
- ◆ **Η προβλεπόμενη χρήση περιγράφεται στο παρόν εγχειρίδιο οδηγιών.** Η χρήση οποιουδήποτε αξεσουάρ ή προσαρτήματος ή η εκτέλεση οποιασδήποτε εργασίας με αυτό το εργαλείο, πέραν των όσων συνιστώνται στο

παρόν εγχειρίδιο οδηγιών, μπορεί να παρουσιάσει κίνδυνο τραυματισμού και/ή υλικών ζημιών.

- ◆ **Χρησιμοποιείτε μάσκα προσώπου ή μάσκα σκόνης αν κατά τις εργασίες μπορεί να παραχθεί σκόνη ή εκτυνασσόμενα σωματίδια.**

Ασφάλεια των άλλων

- ◆ Αυτή η συσκευή δεν προορίζεται για χρήση από άτομα (περιλαμβανομένων παιδιών) με μειωμένες σωματικές, αισθητηριακές ή πνευματικές ικανότητες, ή με έλλειψη εμπειρίας και γνώσης, εκτός αν σε αυτά έχει παρασχεθεί από άτομο υπεύθυνο για την ασφάλειά τους επίβλεψη ή εκπαίδευση σχετικά με τη χρήση της συσκευής.
- ◆ Τα παιδιά θα πρέπει να βρίσκονται υπό επίβλεψη ώστε να διασφαλίζεται ότι δεν παίζουν με τη συσκευή.

Υπολειπόμενοι κίνδυνοι

Πρόσθετοι υπολειπόμενοι κίνδυνοι μπορεί να προκύψουν κατά τη χρήση του εργαλείου που ενδεχομένως δεν περιλαμβάνεται στις εσωκλειόμενες προειδοποιήσεις ασφαλείας. Αυτοί οι κίνδυνοι μπορούν να προκύψουν από κακή χρήση, παρατεταμένη χρήση κλπ. Ακόμα και με την εφαρμογή των σχετικών κανονισμών ασφαλείας και την εφαρμογή διατάξεων ασφαλείας, ορισμένοι υπολειπόμενοι κίνδυνοι δεν μπορούν να αποφευχθούν. Σ> αυτούς περιλαμβάνονται:

- ◆ Τραυματισμοί λόγω επαφής με οποιαδήποτε περιστρεφόμενα/κινούμενα μέρη.
- ◆ Τραυματισμοί κατά την αλλαγή οποιουδήποτε εξαρτημάτων, λειπίδων ή αξεσουάρ.
- ◆ Τραυματισμοί από παρατεταμένη χρήση ενός εργαλείου. Όταν χρησιμοποιείτε οποιοδήποτε εργαλείο για παρατεταμένες περιόδους, να βεβαιώνετε ότι κάνετε τακτικά διαλείμματα.
- ◆ Βλάβη της ακοής.
- ◆ Κίνδυνοι για την υγεία προκαλούμενοι από την εισπνοή σκόνης που παράγεται κατά τη χρήση του εργαλείου (παραδείγματα:- εργασία με ξύλο, ειδικά βελανιδιάς, οξιάς και MDF).

Κραδασμοί

Οι δηλωθείσες τιμές εκπομπών κραδασμών που αναφέρονται στα τεχνικά δεδομένα και στη δήλωση συμμόρφωσης έχουν μετρηθεί σύμφωνα με τυποποιημένη μέθοδο δοκιμής που παρέχεται από το πρότυπο EN 60745 και μπορεί να χρησιμοποιηθεί για σύγκριση ενός εργαλείου με ένα άλλο. Η δηλωθείσα τιμή εκπομπής κραδασμών μπορεί να χρησιμοποιηθεί και σε προκαταρκτική αξιολόγηση της έκθεσης.

Προειδοποίηση! Η τιμή εκπομπής κραδασμών κατά τη χρήση του ηλεκτρικού εργαλείου στην πράξη μπορεί να διαφέρει από τη δηλωθείσα τιμή ανάλογα με τους τρόπους

χρήσης του εργαλείου. Το επίπεδο κραδασμών μπορεί να αυξηθεί πάνω από το αναφερόμενο επίπεδο.

Κατά τον προσδιορισμό της έκθεσης σε κραδασμούς για τον καθορισμό των απαιτούμενων μέτρων ασφαλείας σύμφωνα με την οδηγία 2002/44/ΕΚ για την προστασία προσώπων που χρησιμοποιούν συχνά ηλεκτρικά εργαλεία στην εργασία τους, μια προσεγγιστική εκτίμηση της έκθεσης σε κραδασμούς πρέπει να λαμβάνει υπόψη τις πραγματικές συνθήκες χρήσης και τον τρόπο χρήσης του εργαλείου, συμπεριλαμβανομένων και όλων των επιμέρους τμημάτων του κύκλου εργασίας, όπως τα χρονικά διαστήματα που το εργαλείο ήταν εκτός λειτουργίας και τα διαστήματα λειτουργίας χωρίς φορτίο, επιπλέον του χρόνου πίεσης της σκανδάλης.

Ετικέτες πάνω στο εργαλείο

Το εργαλείο φέρει τα παρακάτω εικονογράμματα μαζί με τον κωδικό ημερομηνίας:



Προειδοποίηση! Για να μειωθεί ο κίνδυνος τραυματισμού, ο χρήστης πρέπει να διαβάσει το εγχειρίδιο οδηγιών.



Φοράτε προστατευτικά ακοής όταν χρησιμοποιείτε κρουστικά δράπανα. Η έκθεση σε θόρυβο μπορεί να προκαλέσει απώλεια ακοής.

Ασφάλεια χρήσης ηλεκτρικού ρεύματος

Αυτό το εργαλείο φέρει διπλή μόνωση.



Επομένως, δεν απαιτείται καλωδίο γείωσης. Ελέγχετε πάντα ότι η παροχή ρεύματος αντιστοιχεί στην τάση που αναφέρεται στην πινακίδα στοιχείων.

- ◆ Αν το καλωδίο ρεύματος έχει υποστεί ζημιά, πρέπει να αντικατασταθεί από τον κατασκευαστή ή εξουσιοδοτημένο κέντρο σέρβις Stanley FatMax, για την αποφυγή κινδύνων.

Χαρακτηριστικά

Αυτό το εργαλείο διαθέτει μερικά από ή όλα τα παρακάτω χαρακτηριστικά.

1. Διακόπτης ρύθμισης ταχύτητας
2. Κουμπί συνεχόμενης λειτουργίας
3. Διακόπτης κίνησης εμπρός/πίσω
4. Επιλογέας τρόπου διάτρησης
5. Τσοκ διπλού κολάρου
6. Πλευρική λαβή
7. Οπή μετρητή βάθους

Συναρμολόγηση

Προειδοποίηση! Πριν από τη συναρμολόγηση, βεβαιωθείτε ότι το εργαλείο είναι απενεργοποιημένο και ότι το φως δεν είναι συνδεδεμένο στην πρίζα.

Τοποθέτηση της πλευρικής λαβής και του αναστολέα βάθους (εικ. Α)

- ◆ Περιστρέψτε την περιοχή κρατήματος αριστερόστροφα μέχρι να μπορείτε να περάσετε την πλευρική λαβή (6) στο μπροστινό μέρος του εργαλείου.
- ◆ Περιστρέψτε την πλευρική λαβή στην επιθυμητή θέση εξασφαλίζοντας ότι οι εγκοπές (6a) συμπλέκονται με τις προεξοχές στο εργαλείο (5a).
- ◆ Για να ελευθερώσετε και να περιστρέψετε τη λαβή, μετακινήστε την προς τα εμπρός για να τη ρυθμίσετε και κατόπιν βεβαιωθείτε ότι έχει συμπληχτεί πάλι με τις προεξοχές, πριν τη χρήση.
- ◆ Εισάγετε το μετρητή βάθους (δεν παρέχεται) στην οπή τοποθέτησής του (7) όπως δείχνει η εικόνα.
- ◆ Ρυθμίστε το βάθος διάτρησης όπως περιγράφεται παρακάτω.
- ◆ Σφίξτε την πλευρική λαβή περιστρέφοντας την περιοχή κρατήματος δεξιόστροφα.

Ρύθμιση του βάθους διάτρησης (εικ. Α)

- ◆ Σφίξτε την πλευρική λαβή (6) περιστρέφοντας την περιοχή κρατήματος αριστερόστροφα.
- ◆ Ρυθμίστε το μετρητή βάθους (δεν παρέχεται) στη θέση που επιθυμείτε. Το μέγιστο βάθος διάτρησης είναι ίσο με την απόσταση μεταξύ του άκρου του εξαρτήματος τρυπανιού και του μπροστινού άκρου του μετρητή βάθους.
- ◆ Σφίξτε την πλευρική λαβή περιστρέφοντας την περιοχή κρατήματος δεξιόστροφα.

Τοποθέτηση ενός αξεσουάρ (εικ. Β)

- ◆ Ανοίξτε το τσοκ περιστρέφοντας το κολάρο (5) αριστερόστροφα.
- ◆ Εισάγετε τον άξονα της μύτης (8) στο τσοκ.
- ◆ Ανοίξτε το τσοκ περιστρέφοντας το κολάρο δεξιόστροφα.

Χρήση

Προειδοποίηση! Αφήνετε το εργαλείο να λειτουργεί με το δικό της ρυθμό. Μην το υπερφορτώνετε.

Προειδοποίηση! Πριν τη διάτρηση σε τοίχους, δάπεδα ή οροφές, ελέγξτε για τη θέση καλωδίων και σωληνών.

Ενεργοποίηση και απενεργοποίηση (εικ. C)

- ◆ Για να ενεργοποιήσετε το εργαλείο, πιέστε το διακόπτη ρύθμισης ταχύτητας (1). Η ταχύτητα λειτουργίας του εργαλείου εξαρτάται από το πόσο πιέζετε το διακόπτη.
- ◆ Για συνεχή λειτουργία, πατήστε το κουμπί συνεχόμενης λειτουργίας (2) και αφήστε ελεύθερο το διακόπτη ρύθμισης ταχύτητας. Η επιλογή αυτή δεν λειτουργεί στην περιστροφή προς τα πίσω.
- ◆ Για να απενεργοποιήσετε το εργαλείο, ελευθερώστε το διακόπτη ρύθμισης ταχύτητας.

Για να απενεργοποιήσετε το εργαλείο όταν βρίσκεται σε συνεχόμενη λειτουργία, πατήστε το διακόπτη ρύθμισης ταχύτητας ακόμη μία φορά και ελευθερώστε τον.

Επιλογή της κατεύθυνσης περιστροφής (εικ. D)

Για διάτρηση και για βίδωμα, χρησιμοποιήστε την προς τα εμπρός (δεξιάστροφη) περιστροφή. Για ξεβίδωμα και για την αφαίρεση μύτης τρυπανιού που έχει κολλήσει χρησιμοποιήστε την ανάστροφη (αριστερόστροφη) περιστροφή.

- ◆ Για επιλογή της προς τα εμπρός περιστροφής, πιέστε το συρόμενο διακόπτη κίνησης προς τα εμπρός/πίσω (3) προς τα αριστερά.
- ◆ Για επιλογή της ανάστροφης περιστροφής, πιέστε προς τα δεξιά το συρόμενο επιλογέα κίνησης εμπρός/όπισθεν.

Προειδοποίηση! Ποτέ μην αλλάζετε την κατεύθυνση περιστροφής όταν το μοτέρ βρίσκεται σε λειτουργία.

Επιλογή του τρόπου διάτρησης (εικ. E)

- ◆ Για κρουστική διάτρηση σε τοιχοποιία και σκυρόδεμα, θέστε τον επιλογέα τρόπου λειτουργίας (4) στη θέση **T**.
- ◆ Για διάτρηση σε χάλυβα, ξύλο και πλαστικά ή για βίδωμα, θέστε τον επιλογέα τρόπου λειτουργίας (4) στη θέση **1**.

Αξεσουάρ

Η απόδοση του εργαλείου σας εξαρτάται από το αξεσουάρ που χρησιμοποιείτε. Τα αξεσουάρ Stanley Fat Max έχουν κατασκευαστεί με προδιαγραφές υψηλής ποιότητας και είναι σχεδιασμένα για να ενισχύουν την απόδοση του εργαλείου σας. Χρησιμοποιώντας αυτά τα αξεσουάρ, θα εξασφαλίσετε την καλύτερη δυνατή απόδοση του εργαλείου σας.

Συντήρηση

Αυτή η συσκευή/εργαλείο με καλώδιο/χωρίς καλώδιο της Stanley Fat Max έχει σχεδιαστεί έτσι ώστε να λειτουργεί για μεγάλο χρονικό διάστημα με την ελάχιστη δυνατή συντήρηση. Η συνεχής ικανοποιητική λειτουργία εξαρτάται από τη σωστή φροντίδα και τον τακτικό καθαρισμό του εργαλείου.

- ◆ Απενεργοποιήστε και απωσυνδέστε τη συσκευή/το εργαλείο από την πρίζα.
- ◆ Ή απενεργοποιήστε και αφαιρέστε το πακέτο μπαταρίας από τη συσκευή/το εργαλείο, εάν η συσκευή/το εργαλείο διαθέτει αφαιρούμενο πακέτο μπαταρίας.
- ◆ Ή χρησιμοποιήστε τη συσκευή μέχρι να εξαντληθεί πλήρως η μπαταρία, αν είναι ενσωματωμένη, και στη συνέχεια απενεργοποιήστε τη συσκευή.
- ◆ Αποσυνδέστε το φορτιστή από την πρίζα πριν τον καθαρίσετε. Ο φορτιστής σας δεν χρειάζεται καμία άλλη συντήρηση πέραν του τακτικού καθαρισμού.
- ◆ Να καθαρίζετε τακτικά τις εγκοπές εξαιρέσμού της συσκευής/του εργαλείου/του φορτιστή χρησιμοποιώντας μια μαλακή βούρτσα ή ένα στεγνό πανί.

- ◆ Να καθαρίζετε τακτικά το περιβλήμα του μοτέρ με ένα ελαφρά υγρό πανί. Μη χρησιμοποιείτε καθαριστικά που χαράζουν ή περιέχουν διαλύτες.
- ◆ Να ανοίγετε τακτικά το τσοκ και να το χτυπάτε ελαφρά για να αφαιρείται η σκόνη από το εσωτερικό του (εφόσον έχει εφαρμοστεί).

Προστασία του περιβάλλοντος



Χωριστή συλλογή. Τα προϊόντα και οι μπαταρίες που επισημαίνονται με αυτό το σύμβολο δεν πρέπει να απορρίπτονται μαζί με τα κανονικά οικιακά απορρίμματα.

Τα προϊόντα και οι μπαταρίες περιέχουν υλικά που μπορούν να ανακτηθούν ή να ανακυκλωθούν ώστε να μειωθούν οι ανάγκες για πρώτες ύλες.

Παρακαλούμε να ανακυκλώνετε τα ηλεκτρικά προϊόντα και τις μπαταρίες σύμφωνα με τους τοπικούς κανονισμούς.

Περισσότερες πληροφορίες διατίθενται στον ιστότοπο www.2helpU.com

Τεχνικά δεδομένα

FMEH750 (Τύπος 1)		
Τάση εισόδου	V_{AC}	230
Στροφές χωρίς φορτίο	min^{-1}	0 ~ 3200
Ρυθμός κρούσης	min^{-1}	0 ~ 54400
Βάρος	kg	1.95
Μέγ. διατρητική ικανότητα		
Σκυρόδεμα	mm	16
Χάλυβας	mm	13
Ξύλο	mm	32

Στάθμη ηχητικής πίεσης σύμφωνα με το πρότυπο EN 60745:	
Ηχητική πίεση (L_{pA})	101 dB(A), αβεβαιότητα (K) 3 dB(A)
Ηχητική ισχύς (L_{WA})	112 dB(A), αβεβαιότητα (K) 3 dB(A)

Συνολικές τιμές κραδασμών (άθροισμα διανυσμάτων τριών αξόνων) σύμφωνα με το EN 60745:	
Κρουστική διάτρηση σε σκυρόδεμα ($a_{h,0}$)	14,6 m/s^2 , αβεβαιότητα (K) 1,5 m/s^2
Κρουστική διάτρηση σε μέταλλο ($a_{h,0}$)	3,8 m/s^2 , αβεβαιότητα (K) 1,5 m/s^2

Δήλωση συμμόρφωσης ΕΚ ΟΔΗΓΙΑ ΣΧΕΤΙΚΑ ΜΕ ΤΑ ΜΗΧΑΝΗΜΑΤΑ



FMEH750 Κρουστικό δράπανο

H Stanley Europe δηλώνει ότι αυτά τα προϊόντα που περιγράφονται στα «τεχνικά δεδομένα» συμμορφώνονται με: EN60745-1:2009+A11:2010, EN60745-2-1:2010.

Αυτά τα προϊόντα συμμορφώνονται και με την Οδηγία
2014/30/EE, 2006/42/EK and 2011/65/EE.

Για περισσότερες πληροφορίες, απευθυνθείτε στη Black &
Decker στη διεύθυνση που ακολουθεί ή ανατρέξτε στο πίσω
μέρος του εγχειριδίου.

Ο κάτωθι υπογεγραμμένος είναι υπεύθυνος για την κατάρτιση
του τεχνικού φακέλου και δηλώνει τα παρόντα εκ μέρους της
Stanley FatMax.



R. Laverick
Διευθυντής Τμήματος Μηχανικής
Stanley Europe, Egide Walschaertsstraat 14-18,
2800 Mechelen, Βέλγιο
19/02/2018

Εγγύηση

Η Stanley Fat Max είναι σίγουρη για την ποιότητα των
προϊόντων της και προσφέρει στους καταναλωτές εγγύηση
12 μηνών από την ημερομηνία της αγοράς. Αυτή η εγγύηση
συμπληρώνει και με κανένα τρόπο δεν παραβιάζει
τα νόμιμα δικαιώματά σας. Η εγγύηση ισχύει εντός της
επικράτειας των χωρών μελών της Ευρωπαϊκής Ένωσης και
της Ευρωπαϊκής Ζώνης Ελεύθερων Συναλλαγών.

Για να υποβάλετε αξίωση βάσει της εγγύησης, η αξίωση
θα πρέπει να είναι σύμφωνη με τους Όρους και τις
Προϋποθέσεις της Stanley Fat Max και θα χρειαστεί
να υποβάλετε απόδειξη αγοράς στον πωλητή ή σε
εξουσιοδοτημένο αντιπρόσωπο επισκευών. Μπορείτε να
αποκτήσετε τους Όρους και προϋποθέσεις της εγγύησης 1
έτους της Stanley Fat Max και να μάθετε την τοποθεσία του
πλησιέστερου εξουσιοδοτημένου αντιπροσώπου επισκευών
στο Internet στο www.2helpU.com, ή επικοινωνώντας με το
τοπικό σας γραφείο Stanley Fat Max στη διεύθυνση που
υποδεικνύεται στο παρόν εγχειρίδιο.

Επισκεφθείτε τον ιστότοπό μας www.stanley.eu/3 για να
καταχωρίσετε το καινούργιο προϊόν Stanley Fat Max που
αποκτήσατε και για να λαμβάνετε ενημερώσεις σχετικά με νέα
προϊόντα και ειδικές προσφορές.

België/Belgique	Stanley Fat Max E. Walschaertstraat 14-16 2800 Mechelen Belgium	De. Tel. +32 70 220 065 Fr. Tel. +32 70 220 066 Fax +32 15 473 799 www.stanleytools.eu Enduser.be@SBDinc.com
Danmark	Stanley Fat Max Farveland 1B 2600 Glostrup	Tel. 70 20 15 10 Fax 70 22 49 10 www.stanleyworks.dk
Deutschland	Stanley Fat Max Richard Klinger Str. 11, D - 65510 Idstein	Tel. 06126 21-1 Fax 06126 21-2770
Ελλάδα	Stanley Fat Max. Στράβωνος 7 & Λεωφ. Βουλιαγμένης 159 Γλυφάδα 166 74 - Αθήνα	Τηλ. +30 210 8981-616 Φαξ +30 210 8983-285 www.stanleyworks.gr
España	Stanley Fat Max. Parc de Negocis "Mas Blau" Edificio Muntadas, c/Bergadá, 1, Of. A6 08820 El Prat de Llobregat (Barcelona)	Tel. 934 797 400 Fax 934 797 419 respuesta.postventa@sbdinc.com www.stanleyworks.es
France	Stanley Fat Max 5 allée des Hêtres B.P. 30084 69579 Limonest Cédex	Tel. 04 72 20 39 20 Fax 04 72 20 39 00 www.stanleyouillage.fr
Helvetia	Stanley Fat Max In der Luberzen 40 8902 Urdorf	Tel. 01 730 67 47 Fax 01 730 70 67 www.stanleyworks.de
Italia	Stanley Fat Max EnergyPark-Building 03 sud, Via Monza 7/A 20871 Vimercate (MB)	Tel. 039-9590200 Fax 039-9590313 www.stanley.it
Nederland	Stanley Fat Max Joulehof 12, 4600 RG Bergen op Zoom	Tel. +31 164 283 065 Fax +31 164 283 200 Enduser.NL@SBDinc.com
Norge	Stanley Fat Max Postboks 4613, Nydalen 0405 Oslo	Tlf. 45 25 13 00 Fax 45 25 08 00
Österreich	Stanley Fat Max Oberlaaerstraße 248, A-1230 Wien	Tel. 01 66116-0 Fax 01 66116-614 www.stanleyworks.de
Portugal	Stanley Fat Max Centro de Escritórios de Sintra Avenida Almirante Gago Coutinho, 132/134, Edifício 142710-418 Sintra 2710-418 Lisboa	Tel. 214667500 Fax 214667575 resposta.posvenda@sbdinc.com
Suomi	Stanley Fat Max Tekniikkatie 12, 02150 Espoo	Puh. 010 400 430 Faksi 0800 411 340 www.stanleyworks.fi
Sverige	Stanley Fat Max Box 94, 431 22 Mölndal	Tel. 031-68 61 00 Fax 031-68 60 08
Türkiye	Stanley Fat Max KALE Hırdavat ve Makina A.Ş. Defterdar Mah. Savaklar Cad. No:15 Edirnekapı / Eyüp / İSTANBUL 34050	Puh. 0212 533 52 55 Faks 0212 533 10 05 www.stanleyworks.fi
United Kingdom	Stanley Fat Max 210 Bath Road Slough, Berkshire SL1 3YD	Tel. +44 (0)1753 511234 Fax +44 (0)1753 551155 www.stanleytools.co.uk
Middle East & Africa	Stanley Fat Max P.O.Box - 17164 Jebel Ali (South Zone), Dubai, UAE	Tel. +971 4 8127400 Fax +971 4 8127036 www.stanleyworks.ae