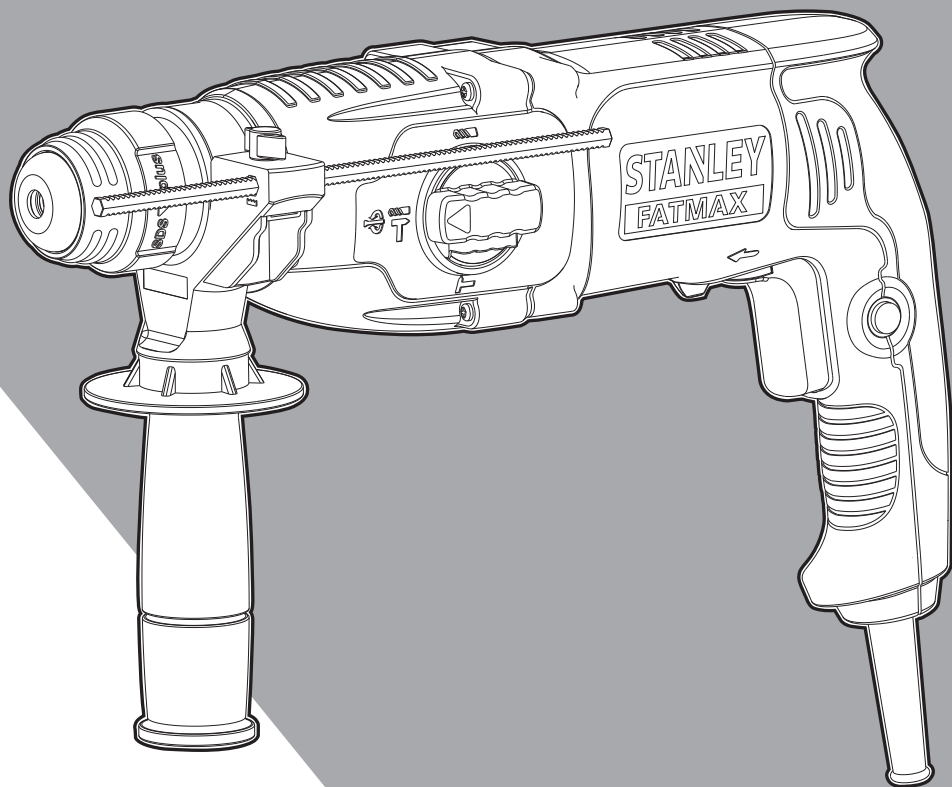


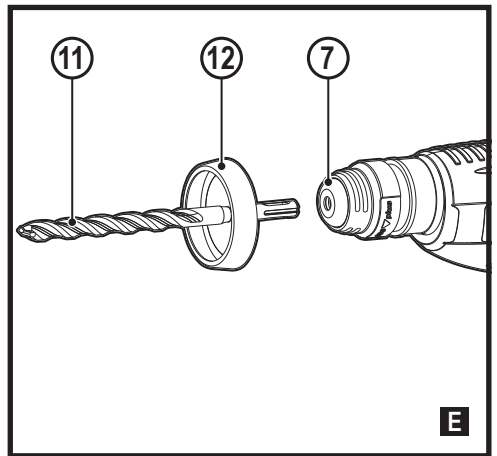
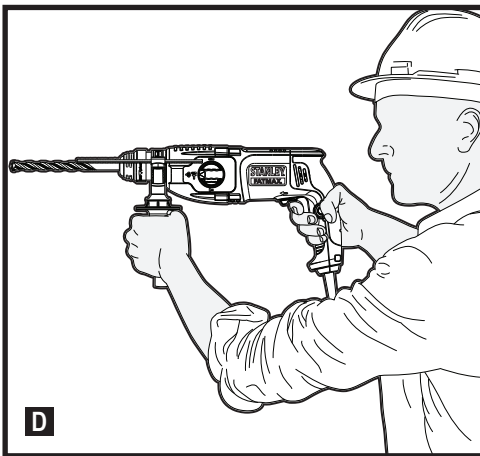
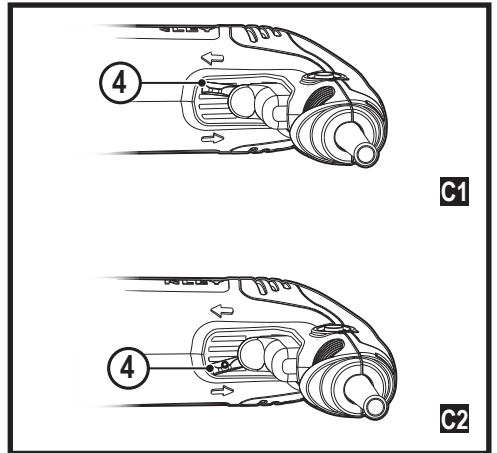
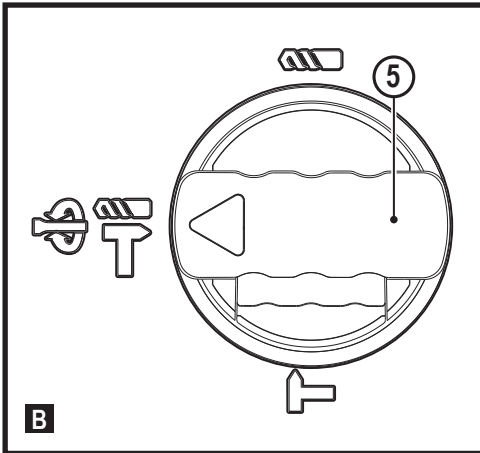
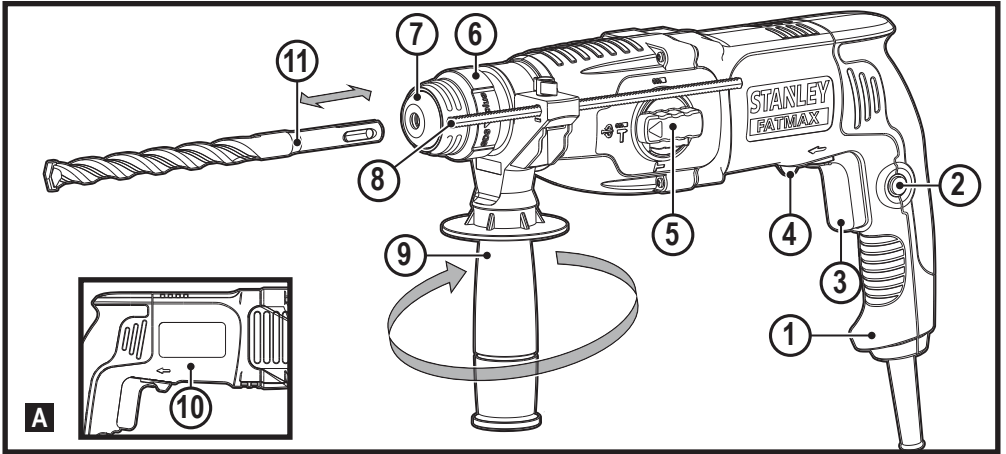
STANLEY®

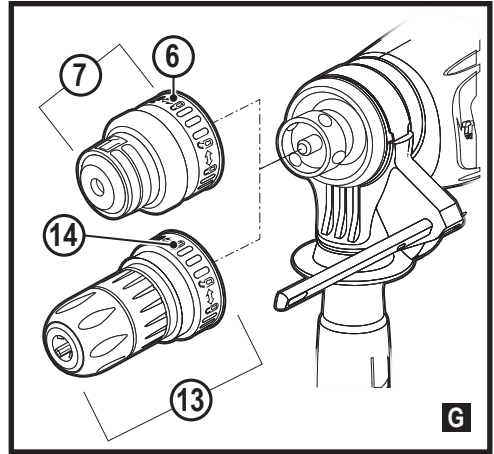
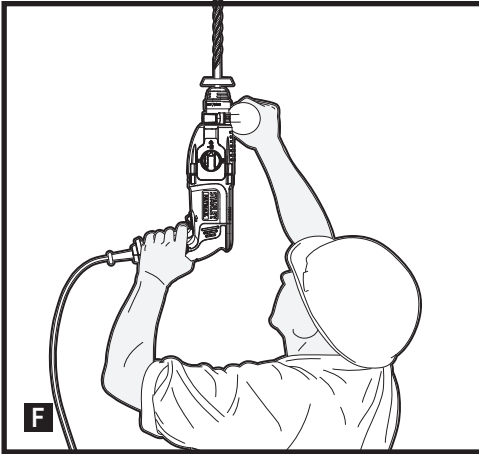
FATMAX®



www.stanley.eu

SFMEH200
SFMEH210





Intended use

STANLEY® FATMAX® SFMEH200 and SFMEH210 SDS-Plus rotary hammer is intended to drill holes in concrete, bricks, wood, and steel, light chipping demolition applications and for carbide tipped core drilling. This tool is intended for professional and private, non professional use.

Safety instructions

General power tool safety warnings



Warning! Read all safety warnings and all instructions. Failure to follow the warnings and instructions listed below may result in electric shock, fire and/or serious injury.

Save all warnings and instructions for future reference.

The term "power tool" in all of the warnings listed below refers to your mains operated (corded) power tool or battery operated (cordless) power tool.

1. Work area safety

- Keep work area clean and well lit.** Cluttered or dark areas invite accidents.
- Do not operate power tools in explosive atmospheres, such as in the presence of flammable liquids, gases or dust.** Power tools create sparks which may ignite the dust or fumes.
- Keep children and bystanders away while operating a power tool.** Distractions can cause you to lose control.

2. Electrical safety

- Power tool plugs must match the outlet. Never modify the plug in any way. Do not use any adapter plugs with earthed (grounded) power tools.**

Unmodified plugs and matching outlets will reduce risk of electric shock.

- Avoid body contact with earthed or grounded surfaces such as pipes, radiators, ranges and refrigerators.** There is an increased risk of electric shock if your body is earthed or grounded.
 - Do not expose power tools to rain or wet conditions.** Water entering a power tool will increase the risk of electric shock.
 - Do not abuse the cord. Never use the cord for carrying, pulling or unplugging the power tool. Keep cord away from heat, oil, sharp edges or moving parts.** Damaged or entangled cords increase the risk of electric shock.
 - When operating a power tool outdoors, use an extension cord suitable for outdoor use.** Use of a cord suitable for outdoor use reduces the risk of electric shock.
 - If operating a power tool in a damp location is unavoidable, use a residual current device (RCD) protected supply.** Use of an RCD reduces the risk of electric shock.
- #### 3. Personal safety
- Stay alert, watch what you are doing and use common sense when operating a power tool. Do not use a power tool while you are tired or under the influence of drugs, alcohol or medication.** A moment of inattention while operating power tools may result in serious personal injury.
 - Use personal protective equipment. Always wear eye protection.** Protective equipment such as dust mask, non-skid safety shoes, hard hat, or hearing protection used for appropriate conditions will reduce personal injuries.

- c. **Prevent unintentional starting.** Ensure the switch is in the off-position before connecting to power source and/or battery pack, picking up or carrying the tool. Carrying power tools with your finger on the switch or energising power tools that have the switch on invites accidents.
 - d. **Remove any adjusting key or wrench before turning the power tool on.** A wrench or a key left attached to a rotating part of the power tool may result in personal injury.
 - e. **Do not overreach. Keep proper footing and balance at all times.** This enables better control of the power tool in unexpected situations.
 - f. **Dress properly. Do not wear loose clothing or jewellery. Keep your hair, clothing and gloves away from moving parts.** Loose clothes, jewellery or long hair can be caught in moving parts.
 - g. **If devices are provided for the connection of dust extraction and collection facilities, ensure these are connected and properly used.** Use of dust collection can reduce dust-related hazards.
4. **Power tool use and care**
 - a. **Do not force the power tool. Use the correct power tool for your application.** The correct power tool will do the job better and safer at the rate for which it was designed.
 - b. **Do not use the power tool if the switch does not turn it on and off.** Any power tool that cannot be controlled with the switch is dangerous and must be repaired.
 - c. **Disconnect the plug from the power source and/or the battery pack from the power tool before making any adjustments, changing accessories, or storing power tools.** Such preventive safety measures reduce the risk of starting the power tool accidentally.
 - d. **Store idle power tools out of the reach of children and do not allow persons unfamiliar with the power tool or these instructions to operate the power tool.** Power tools are dangerous in the hands of untrained users.
 - e. **Maintain power tools. Check for misalignment or binding of moving parts, breakage of parts and any other condition that may affect the power tools operation. If damaged, have the power tool repaired before use.** Many accidents are caused by poorly maintained power tools.
 - f. **Keep cutting tools sharp and clean.** Properly maintained cutting tools with sharp cutting edges are less likely to bind and are easier to control.
 - g. **Use the power tool, accessories and tool bits etc. in accordance with these instructions, taking into account the working conditions and the work to be performed.** Use of the power tool for operations different from those intended could result in a hazardous situation.

5. **Service**
 - a. **Have your power tool serviced by a qualified repair person using only identical replacement parts.** This will ensure that the safety of the power tool is maintained.

Additional power tool safety warnings



Warning! Warning! Additional safety warnings for rotary and chiselling hammers.

- ◆ **Wear ear protectors.** Exposure to noise can cause hearing loss.
- ◆ **Use auxiliary handles supplied with the tool.** Loss of control can cause personal injury.
- ◆ **Hold power tool by insulated gripping surfaces when performing an operation where the cutting accessory may contact hidden wiring or its own cord.** Cutting accessory contacting a "live" wire may make exposed metal parts of the power tool "live" and could give the operator an electric shock
- ◆ **Never use a chisel accessory in rotary mode.** The accessory will bind in the material and rotate the drill.
- ◆ **Use clamps or another practical way to secure and support the workpiece to a stable platform.** Holding the work by hand or against your body leaves it unstable and may lead to loss of control.
- ◆ **Before drilling into walls, floors or ceilings, check for the location of wiring and pipes.**
- ◆ **Avoid touching the tip of a drill bit just after drilling, as it may be hot.**
- ◆ **The intended use is described in this instruction manual.** The use of any accessory or attachment or performance of any operation with this tool other than those recommended in this instruction manual may present a risk of personal injury and/or damage to property.

Safety of others

- ◆ This appliance is not intended for use by persons (including children) with reduced physical, sensory or mental capabilities, or lack of experience and knowledge, unless they have been given supervision or instruction concerning use of the appliance by a person responsible for their safety.
- ◆ Children should be supervised to ensure that they do not play with the appliance.

Residual risks.

Additional residual risks may arise when using the tool which may not be included in the enclosed safety warnings. These risks can arise from misuse, prolonged use etc. Even with the application of the relevant safety regulations and the implementation of safety devices, certain residual risks can not be avoided. These include:

- ◆ Injuries caused by touching any rotating/moving parts.
- ◆ Injuries caused when changing any parts, blades or accessories.
- ◆ Injuries caused by prolonged use of a tool. When using any tool for prolonged periods ensure you take regular breaks.
- ◆ Impairment of hearing.
- ◆ Health hazards caused by breathing dust developed when using your tool (example:- working with wood, especially oak, beech and MDF.)

Vibration

The declared vibration emission values stated in the technical data and the declaration of conformity have been measured in accordance with a standard test method provided by EN 60745 and may be used for comparing one tool with another. The declared vibration emission value may also be used in a preliminary assessment of exposure.

Warning! The vibration emission value during actual use of the power tool can differ from the declared value depending on the ways in which the tool is used. The vibration level may increase above the level stated.

When assessing vibration exposure to determine safety measures required by 2002/44/EC to protect persons regularly using power tools in employment, an estimation of vibration exposure should consider, the actual conditions of use and the way the tool is used, including taking account of all parts of the operating cycle such as the times when the tool is switched off and when it is running idle in addition to the trigger time.

Labels on tool

The following pictograms are shown on the tool, along with the date code:



Warning! To reduce the risk of injury, the user must read the instruction manual.



Wear safety glasses or goggles.



Wear ear protection.

Electrical safety



This tool is double insulated; therefore no earth wire is required. Always check that the power supply corresponds to the voltage on the rating plate.

- ◆ If the supply cord is damaged, it must be replaced by the manufacturer or an authorised Stanley Fat Max Service Centre in order to avoid a hazard.

Using an extension cable

Always use an approved extension cable suitable for the power input of this appliance (see technical data). The extension cable must be suitable for outdoor use and marked accordingly. Up to 30 m of 1.5 mm² HO5VV-F extension cable can be used without loss of product performance. Before use, inspect the extension cable for signs of damage, wear and ageing. Replace the extension cable if damaged or defective. When using a cable reel, always unwind the cable completely.

Features

This tool includes some or all of the following features.

1. Main handle
2. Lock-on button
3. Variable speed switch
4. Forward/Reverse lever
5. Mode selector switch
6. Sleeve
7. SDS + Drill Chuck
8. Depth Stop
9. Side handle
10. Date code
11. SDS-Plus bit
12. Dust collector
13. Keyless chuck

Assembly

Warning! Before attempting any of the following operations, make sure that the tool is switched off and unplugged.

Attaching the side handle (Fig A)

Warning! When using the tool, please use the side handle (9) for your safety.

The side handle can be fitted to suit both right-handed and left-handed users.

- ◆ Turn the grip counter-clockwise until you can slide the side handle onto the front of the tool.
- ◆ Rotate the side handle into the desired position.
- ◆ Tighten the side handle by turning the grip clockwise.

Warning! When using the tool, remember to install the side handles properly.

Fitting an accessory (Fig A)

- ◆ Clean and grease the shank (11) of the SDS Plus bit.
- ◆ Insert the accessory bar into the SDS + Chuck (7).
- ◆ Push the accessory down and turn it slightly until it fits into the slots.
- ◆ Pull on the accessory to check if it is properly locked. The hammering and drilling function requires the accessory to be able to move axially several centimetres when locked in the tool clamp.

- ◆ To remove the accessory, pull back the sleeve (6) and pull out the accessory from the tool clamp.

Fitting dust collector (Fig E)

- ◆ Insert the SDS Plus bit (11) into dust collector (14), then insert the bit (11) with dust collector into tool clamp (7).
- ◆ Use the dust collector only when the unit is used for upright drilling (Fig F).

Use

Warning! Always wear gloves when you change accessories. The exposed metal parts on the tool and accessory may become extremely hot during operation. Please operate tool with normal load. Do not overload. Do not abuse the tool, please refer instruction manual to use the tool correctly.

Warning! Before drilling into walls, floors or ceilings, check for the location of wiring and pipes.

Setting the drilling depth (Fig A)

The depth stop is a convenient feature to ensure uniformity in drilling depth. Loosen the side handle to adjust the depth gauge according to the required depth. After that, tighten the side handle.

- ◆ Slacken the side handle (9) by turning the grip counter-clockwise.
- ◆ Set the depth stop (8) to the required position. The maximum drilling depth is equal to the distance between the tip of the drill bit and the front end of the depth stop.
- ◆ Tighten the side handle by turning the grip clockwise.

Switching on and off (Fig A)

Warning! Before plugging in to the power source, make sure the variable speed switch can be flipped freely, and can return to its original position once released. Please check switch lock on position before turn on and make sure switch lock off before plugging in to the power source.

- ◆ To switch the tool on, press the variable speed switch (3). The tool speed depends on how far you press the switch.
- ◆ As a general rule, use low speeds for large diameter drill bits and high speeds for smaller diameter drill bits.
- ◆ For continuous operation, press the lock-on button (2) and release the variable speed switch.
- ◆ To switch the tool off, release the variable speed switch. To switch the tool off when in continuous operation, press the variable speed switch once more and release it.

Replacing the SDS-Plus tool holder with the keyless chuck (SMEH210 - Fig G)

- ◆ Turn the locking collar (6) into the unlocking position and pull the SDS Plus Tool Holder (7) off.
- ◆ Push the keyless chuck (13) onto the spindle and turn the locking collar (14) to the locking position.

To replace the keyless chuck with the SDS Plus tool holder, first remove the keyless chuck the same way the tool holder was removed. Then place the tool holder the same way the keyless chuck was placed making sure to turn the locking collar to the locking position.

Warning! Never use standard chucks in the hammer-drilling mode.

Selecting the operating mode (Fig B)

The tool can be used in the following operating modes:



Rotary drilling: for drilling into steel, wood and plastics.



Hammer drilling: for concrete and masonry drilling operations. Bit rotation: non-working position used only to rotate a flat chisel into the desired position.



Hammering only: for light chipping and chiselling. In this mode the tool can also be used as a lever to free a jammed drill bit.

1. To select the operating mode, press the mode selector button and rotate the mode selector switch (5) until it points to the symbol of the required mode.
2. Release the mode selector button and check that the mode selector switch is locked in place.


Warning! Do not select the operating mode when the tool is running.

Proper hand position (Fig D, Fig F)

Warning! To reduce the risk of serious personal injury, ALWAYS use proper hand position as shown.


Warning! To reduce the risk of serious personal injury, ALWAYS hold securely in anticipation of a sudden reaction. Proper hand position requires one hand on the side handle (9), with the other hand on the main handle (1).

Rotary drilling (Fig B, Fig D, Fig C1/C2, Fig G)

- ◆ For drilling in steel, wood and plastics, set the operating mode selector (5) to the  position.
- ◆ Fit the drill chuck assembly. Depending on your tool, follow either of the following instructions:
SFMEH210: Replace the SDS Plus tool holder (7) with the keyless chuck (13).

Warning! Never use drill chucks in the hammer drilling mode.

Hammer drilling (Fig B)

- ◆ For hammer drilling in masonry and concrete, set the operating mode selector (5) to the  position.
- ◆ The drill bit has to be placed accurately onto the drill hole position. After that, pull the switch for optimal effects.

Make sure the tool is in the correct position to prevent the drill from deviating from the hole.

- ◆ When the drill hole is clogged with debris or fine powder, please don't exert any more pressure. Tool should be put in free-running state before removing part of the drill bit from the hole. If repeated a few times, the blockage in the hole would be cleared, and normal drilling can resume.

Warning! When the drill bit hits the steel rebar in the cement, the tool may recoil dangerously. Please hold the tool tightly in a balanced and stable position at all times to prevent it from recoiling dangerously.


Safety clutch

All rotary hammer are equipped with a safety clutch that reduces the maximum torque reaction transmitted to the operator in case of jamming of a drill bit. This feature also prevents the gearing and electric motor from stalling. The torque limiting clutch has been factory-set and cannot be adjusted.

Overload coupling device

If the drill bit is caught or hooked, the driving force transmitted to the drill shaft will be cut off. This would generate a strong recoil, so it would be necessary to hold the tool tightly with both hands to remain in a stable position.

Chipping and chiselling (Fig B)

- ◆ Set the mode selector switch (5) to the "hammering only" position.
 
- ◆ Insert the appropriate chisel and rotate it by hand to lock it into position.
- Adjust the side handle (9) as required.
- Switch on the tool and start working.
- Always switch off the tool when work is finished and before unplugging.

Warning! Do not use this tool to mix or pump easily combustible or explosive fluids (benzine, alcohol, etc.). Do not mix or stir inflammable liquids labelled accordingly.

Accessories

The performance of your tool depends on the accessory used. Stanley Fat Max and Piranha accessories are engineered to high quality standards and designed to enhance the performance of your tool. By using these accessories you will get the very best from your tool.

Maintenance

Your Stanley Fat Max corded/cordless appliance/tool has been designed to operate over a long period of time with a minimum of maintenance. Continuous satisfactory operation depends upon proper tool care and regular cleaning.

Warning! Before performing any maintenance on corded/cordless power tools:

- ◆ Switch off and unplug the appliance/tool.

- ◆ Or switch off and remove the battery from the appliance/tool if the appliance/tool has a separate battery pack.
- ◆ Or run the battery down completely if it is integral and then switch off.
- ◆ Unplug the charger before cleaning it. Your charger does not require any maintenance apart from regular cleaning.
- ◆ Regularly clean the ventilation slots in your appliance/tool/charger using a soft brush or dry cloth.
- ◆ Regularly clean the motor housing using a damp cloth. Do not use any abrasive or solvent-based cleaner.
- ◆ Regularly open the chuck and tap it to remove any dust from the interior (when fitted).

Mains plug replacement (U.K. & Ireland only)

If a new mains plug needs to be fitted:

- ◆ Safely dispose of the old plug.
- ◆ Connect the brown lead to the live terminal in the new plug.
- ◆ Connect the blue lead to the neutral terminal.

Warning! No connection is to be made to the earth terminal. Follow the fitting instructions supplied with good quality plugs. Recommended fuse: 10 A.

Protecting the environment



Separate collection. Products and batteries marked with this symbol must not be disposed of with normal household waste.

Products and batteries contain materials that can be recovered or recycled reducing the demand for raw materials. Please recycle electrical products and batteries according to local provisions. Further information is available at www.2helpU.com

Technical data

		SFMEH200 (Type 1)	SFMEH210 (Type 1)
Voltage	V	230	230
Frequency	Hz	50	50
Power input	W	780	800
No-load speed	min ⁻¹	0 - 1250	0 - 1250
Impact rate	bpm	0 - 4670	0 - 4670
Impact energy (EPTA / Max)	J	2.2 / 23.1	2.4 / 2.4
Max drilling capacity			
- Wood	mm	30	30
- Metal	mm	13	13
- Concrete	mm	24	26
Weight	kg	2.6	2.7

Guarantee

Stanley Europe is confident of the quality of its products and offers consumers a 12 month guarantee from the date of purchase. This guarantee is in addition to and in no way prejudices your statutory rights. The guarantee is valid within the territories of the Member States of the European Union and the European Free Trade Area.

To claim on the guarantee, the claim must be in accordance with Black&Decker Terms and Conditions and you will need to submit proof of purchase to the seller or an authorised repair agent. Terms and conditions of the Stanley Europe 1 year guarantee and the location of your nearest authorised repair agent can be obtained on the Internet at www.2helpU.com, or by contacting your local Stanley Europe office at the address indicated in this manual.

Please visit our website www.stanley.eu/3 to register your new Stanley Fat Max product and receive updates on new products and special offers.
.stanley.eu/3

SFMEH200 Level of sound pressure according to EN60745:		
Sound pressure (L_{PA})	dB(A)	92.5
Sound pressure uncertainty (K_{PA})	dB(A)	3
Sound power (L_{WA})	dB(A)	103.5
Sound power uncertainty (K_{WA})	dB(A)	3
Vibration emission value ah:		
$(a_{h,CH90})$	m/s^2	16.3
$(a_{h,HD})$	m/s^2	17.2
Uncertainty (K)	m/s^2	1.5

SFMEH210 Level of sound pressure according to EN60745:		
Sound pressure (L_{PA})	dB(A)	90.7
Sound pressure uncertainty (K_{PA})	dB(A)	3
Sound power (L_{WA})	dB(A)	101.7
Sound power uncertainty (K_{WA})	dB(A)	3
Vibration emission value ah:		
$(a_{h,CH90})$	m/s^2	17.6
$(a_{h,HD})$	m/s^2	17.4
Uncertainty (K)	m/s^2	1.5

EC declaration of conformity
MACHINERY DIRECTIVE



SMEH200, SMEH210 Rotary Hammer
Stanley Europe declares that these products described under "technical data" are in compliance with:
2006/42/EC, EN 60745-1, EN 60745-2-6

These products also comply with Directive 2014/30/EU and 2011/65/EU. For more information, please contact Stanley Europe at the following address or refer to the back of the manual.

The undersigned is responsible for compilation of the technical file and makes this declaration on behalf of Stanley Europe.

A.P. Smith
Technical Director
Stanley Fat Max Europe, Egide Walschaertsstraat14-18,
2800 Mechelen, Belgium
27/06/2019

Назначение Перфоратор STANLEY® FATMAX® SFMEH200 и SFMEH210 SDS-Plus предназначен для сверления отверстий в бетоне, кирпиче, дереве и стали, для легких работ по дроблению, долблению и разбиванию, а также для сверления с использованием коронок с карбидными напайками. Этот инструмент предназначен как для профессионалов, так и для использования непрофессионалами.

Правила техники безопасности

Общие правила безопасности при работе с электроинструментом



Внимание! Полностью прочтите инструкции по технике безопасности и все руководства по эксплуатации. Несоблюдение представленных ниже предупреждений и инструкций может привести к поражению электрическим током, возгоранию и/или тяжелым травмам.

Сохраните все инструкции для последующего обращения к ним. Термин «электроинструмент» во всех приведенных ниже предупреждениях относится к питаемому от электросети (проводному) или от аккумуляторных батарей (беспроводному) электроинструменту.

1. Безопасность на рабочем месте

- a. **Содержите рабочее место в чистоте и обеспечьте его хорошую освещенность.** Плохое освещение или беспорядок на рабочем месте может привести к несчастному случаю.
- b. **Не используйте электроинструмент во взрывоопасной атмосфере, например, при наличии горючих жидкостей, газов или пыли.** Искры, которые появляются при работе электроинструмента, могут привести к воспламенению пыли или паров.
- c. **Не разрешайте детям и посторонним лицам находиться рядом с вами при работе с электроинструментом.** Отвлекаясь от работы, вы можете потерять контроль над инструментом.

2. Электробезопасность

- a. **Сетевые вилки электроинструмента должны соответствовать розеткам. Никогда не меняйте вилку инструмента. Запрещается использовать переходники к вилкам для электроинструментов с заземлением.**
Использование оригинальных штепсельных вилок, соответствующих типу сетевой розетки, снижает риск поражения электрическим током.

- b. **Следует избегать контакта с заземленными поверхностями, такими как трубы, радиаторы, батареи и холодильники.** Если вы будете заземлены, увеличивается риск поражения электрическим током.
 - c. **Не допускайте нахождения электроинструментов под дождем или в условиях повышенной влажности.** При попадании воды в электроинструмент риск поражения электротоком возрастает.
 - d. **Бережно обращайтесь с кабелем питания. Никогда не используйте кабель для переноски электроинструмента, не тяните за него, пытайтесь отключить инструмент от сети. Держите кабель подальше от источников тепла, масла, острых углов или движущихся предметов.** Поврежденный или запутанный кабель питания повышает риск поражения электрическим током.
 - e. **При работе с электроинструментом вне помещения необходимо пользоваться удлинителем, рассчитанным на эксплуатацию в соответствующих условиях.** Использование кабеля питания, предназначенного для использования вне помещения, снижает риск поражения электрическим током.
 - f. **При необходимости эксплуатации электроинструмента в местах с повышенной влажностью используйте устройство защитного отключения (УЗО).** Использование УЗО сокращает риск поражения электрическим током.
3. **Обеспечение индивидуальной безопасности**
 - a. **При работе с электроинструментом сохраняйте бдительность, следите за своими действиями и пользуйтесь здравым смыслом. Не работайте с электроинструментом, если вы устали, находитесь в состоянии наркотического, алкогольного опьянения или под воздействием лекарственных препаратов.** Невнимательность при работе с электроинструментом может привести к серьезным травмам.
 - b. **Используйте средства индивидуальной защиты. Всегда используйте защитные очки.** Средства защиты, такие как пылезащитная маска, обувь с нескользящей подошвой, каска и защитные наушники, используемые при работе, уменьшают риск получения травм.
 - c. **Примите меры для предотвращения случайного включения. Перед тем как подключить электроинструмент к сети и/или аккумуляторной батарее, возьмите инструмент или перенести его на другое место, убедитесь в том, что выключатель находится в положении «Выкл.». Если при переноске электроинструмента он подключен к сети, и**

при этом ваш палец находится на выключателе, это может стать причиной несчастных случаев.

- d. **Уберите все регулировочные или гаечные ключи перед включением электроинструмента.** Ключ, оставленный на вращающейся части электроинструмента, может привести к травме.
- e. **Не пытайтесь дотянуться до слишком удаленных поверхностей. Всегда твердо стойте на ногах, сохраняя равновесие.** Это позволит лучше контролировать электроинструмент в непредвиденных ситуациях.
- f. **Надевайте подходящую одежду. Избегайте носить свободную одежду и ювелирные украшения.** Следите за тем, чтобы волосы, одежда и перчатки не попадали под движущиеся детали. Возможно наматывание свободной одежды, ювелирных изделий и длинных волос на движущиеся детали.
- g. **При наличии устройств для подключения оборудования для удаления и сбора пыли необходимо обеспечить правильность их подключения и эксплуатации.** Использование устройства для пылеудаления сокращает риски, связанные с пылью.

4. Эксплуатация электроинструмента и уход за ним

- a. **Избегайте чрезмерной нагрузки электроинструмента. Используйте электроинструмент в соответствии с назначением.** Правильно подобранный электроинструмент выполнит работу более эффективно и безопасно при стандартной нагрузке.
- b. **Не используйте электроинструмент, если не работает его выключатель.** Любой электроинструмент, управлять выключением и включением которого невозможно, опасен, и его необходимо отремонтировать.
- c. **Перед выполнением любой регулировки, заменой дополнительных принадлежностей или хранением электроинструмента отключите инструмент от сети или извлеките батарею из инструмента.** Такие превентивные меры безопасности сокращают риск случайного включения электроинструмента.
- d. **Храните электроинструмент в недоступном для детей месте и не позволяйте работать с инструментом людям, не имеющим соответствующих навыков работы с такого рода инструментами.** Электроинструмент представляет опасность в руках неопытных пользователей.
- e. **Проводите обслуживание электроинструментов. Проверьте движущиеся детали на точность совмещения или заклинивание, поломку либо какие-либо другие условия, которые могут повлиять на эксплуатацию электроинструмента. В**

случае обнаружения повреждений, прежде чем приступить к эксплуатации электроинструмента, его нужно отремонтировать. Большинство несчастных случаев происходит из-за электроинструментов, которые не обслуживаются должным образом.

- f. **Необходимо содержать режущий инструмент в остро заточенном и чистом состоянии.** Вероятность заклинивания инструмента, за которым следят должным образом и который хорошо заточен, значительно меньше, а работать с ним легче.
 - g. **Используйте данный электроинструмент, а также дополнительные принадлежности и насадки в соответствии с данными инструкциями и с учетом условий и специфики работы.** Использование электроинструмента для выполнения операций, для которых он не предназначен, может привести к созданию опасных ситуаций.
- #### 5. Сервисное обслуживание
- a. **Обслуживание электроинструмента должно выполняться только квалифицированным техническим персоналом.** Это позволит обеспечить безопасность обслуживаемого электроинструмента.

Дополнительные правила техники безопасности при работе с электроинструментом



Внимание! Внимание! Дополнительные меры предосторожности при использовании перфораторов и отбойных молотков.

- ◆ **Используйте защитные наушники.** Шум может стать причиной снижения слуха.
- ◆ **Пользуйтесь дополнительными рукоятками, входящими в комплект поставки инструмента.** Потеря контроля может привести к травме.
- ◆ **При выполнении работ, когда есть вероятность того, что режущий инструмент может коснуться скрытой проводки или собственного сетевого кабеля, держите силовой инструмент за изолированные поверхности.** При удерживании металлических деталей инструмента, в случае перерезания находящегося под напряжением провода, возможно поражение оператора электрическим током
- ◆ **Ни в коем случае не используйте режим вращения с установленным долотом.** В противном случае насадка застрянет в материале и начнет проворачивать саму дрель.
- ◆ **Используйте зажимы или другие уместные средства фиксации заготовки на стабильной опоре.** Если держать заготовку руками или с упором в собственное тело, то можно потерять контроль над инструментом

или заготовкой.

- ◆ Перед тем как сверлить отверстия в стенах, полах или потолках, проверьте места расположения проводки и трубопроводов.
- ◆ Избегайте касания к кончику сверла сразу после работы, он может сильно нагреваться.
- ◆ Далее в руководстве приводятся виды работ, для которых предназначен данный инструмент. Применение любых принадлежностей и приспособлений, а также выполнение любых операций помимо тех, которые рекомендованы данным руководством, может привести к травме.

Безопасность окружающих

- ◆ Данный инструмент не предназначен для использования лицами (включая детей) с ограниченными физическими, сенсорными или ментальными возможностями, а также лицами без достаточного опыта и знаний, если только они не делают этого под руководством лица, имеющего соответствующий опыт и отвечающего за их безопасность.
- ◆ Не позволяйте детям играть с данным инструментом.

Остаточные риски.

При работе с данным инструментом возможно возникновение дополнительных остаточных рисков, которые не вошли в описанные здесь правила техники безопасности. Это может произойти при неправильной эксплуатации или продолжительном использовании изделия и т. п. Несмотря на соблюдение соответствующих инструкций по технике безопасности и использование предохранительных устройств, некоторые остаточные риски невозможно полностью исключить. К ним относятся:

- ◆ Травмы в результате касания вращающихся/движущихся частей.
- ◆ Травмы, которые могут произойти в результате смены деталей, лезвий или дополнительных принадлежностей.
- ◆ Травмы, связанные с продолжительным использованием инструмента. При использовании любого инструмента в течение продолжительного периода времени не забывайте делать перерывы.
- ◆ Ухудшение слуха.
- ◆ Ущерб здоровью в результате вдыхания пыли в процессе работы с инструментом (например, при обработке древесины, в особенности, дуба, бука и МДФ.)

Вибрация

Заявленные значения вибрации указанные в технических спецификациях и заявлениях о соответствии были измерены в соответствии с стандартным методом тестирования EN 60745 и могут быть использованы для сравнения

инструментов. Заявленное значение эмиссии вибрации также может использоваться при предварительной оценке ее воздействия.

Внимание! Значения вибрационного воздействия при работе с электроинструментом зависят от вида работ, выполняемых данным инструментом, и могут отличаться от заявленных значений. Уровень вибрации может быть выше заявленного.

При оценке уровня вибрации для определения меры безопасности, предусмотренного 2002/44/ЕС для защиты людей, регулярно пользующихся электроинструментом при работе, нужно принимать во внимание уровень вибрации, реальные условия использования и способ использования инструмента, а также учитывать все этапы цикла работы – когда инструмент выключается, когда он работает на холостом ходу, а также время переключения с одного режима на другой.

Условные обозначения на инструменте

Наравне с кодом даты на инструменте имеются следующие знаки:



Внимание! Во избежание риска получения травм, прочтите руководство по эксплуатации.



Используйте защитные очки или маску.



Используйте защитные наушники.

Электробезопасность



Данный инструмент имеет двойную изоляцию, поэтому заземление не требуется. Следите за напряжением электрической сети, оно должно соответствовать величине, обозначенной на информационной табличке инструмента.

- ◆ Если повреждена сетевая кабель, его нужно заменить у производителя или в авторизованном сервисном центре Stanley Fat Max, чтобы избежать проблем.

Использование удлинительного кабеля

Всегда используйте только утвержденные удлинительные кабели, рассчитанные на потребляемую мощность данного изделия (см. технические характеристики).

Удлинительный кабель должен быть пригоден для использования вне помещений и промаркирован соответствующим образом. Без потери производительности изделия можно использовать до 30 м 1,5 мм² удлинительного кабеля H05VV-F. Перед использованием проверьте

удлинительный кабель на наличие повреждений, износа или старения. Замените удлинительный кабель, если он поврежден или неисправен. При использовании кабельного барабана всегда полностью разматывайте кабель.

Составные части

Данный инструмент может содержать все или некоторые из перечисленных ниже составных частей.

1. Основная рукоятка
2. Кнопка блокировки пускового выключателя
3. Курковый пусковой выключатель с регулировкой скорости
4. Рычаг переключения направления вращения
5. Переключатель режимов
6. Зажимное кольцо
7. Держатель насадок SDS +
8. Ограничитель глубины
9. Боковая рукоятка
10. Код даты
11. Насадка SDS-Plus
12. Пылесборник
13. Быстрозажимной патрон

Сборка

Внимание! Перед выполнением любой из следующих операций убедитесь, что электроинструмент выключен и отсоединен от электросети.

Установка боковой рукоятки (рис. А)

Внимание! При использовании инструмента, используйте боковую рукоятку (9) для вашей безопасности.

Боковая рукоятка может быть установлена как слева, так и справа.

- ◆ Поворачивайте ручку против часовой стрелки, пока не сможете сдвинуть боковую рукоятку на переднюю часть инструмента.
- ◆ Поверните боковую рукоятку в нужное положение.
- ◆ Затяните боковую рукоятку, повернув ручку по часовой стрелке.

Внимание! При использовании инструмента не забудьте правильно установить боковые рукоятки.

Установка дополнительной принадлежности (рис. А)

- ◆ Очистите и смажьте хвостовик (11) насадки SDS Plus.
- ◆ Вставьте дополнительную принадлежность в держатель насадок SDS + (7).
- ◆ Проталкивайте дополнительную принадлежность вниз и поворачивайте ее, пока она не встанет в пазы.
- ◆ Потяните за насадку, чтобы убедиться, что она надежно закреплена.

При использовании ударной функции и функции сверления, насадка в закреплённом состоянии должна

свободно перемещаться по оси на несколько сантиметров.

- ◆ Чтобы извлечь насадку, оттяните назад зажимное кольцо (6) и извлеките насадку из держателя.

Установка пылесборника (рис. Е)

- ◆ Вставьте насадку SDS Plus (11) в пылесборник (14), а затем вставьте насадку (11) с пылесборником в держатель насадок (7).
- ◆ Используйте пылесборник только тогда, когда инструмент используется для вертикального сверления (рис. F).

Использование

Внимание! При замене принадлежностей обязательно используйте перчатки. Рабочие металлические части инструмента и принадлежности могут очень сильно нагреваться во время эксплуатации. Пожалуйста, используйте инструмент с нормальной нагрузкой. Избегайте перегрузок. Не перегружайте инструмент, см. инструкции по эксплуатации для правильного использования инструмента.

Внимание! Перед тем как сверлить отверстия в стенах, полах или потолках, проверьте места расположения проводки и трубопроводов.

Регулировка глубины сверления (рис. А)

Ограничитель глубины удобен для обеспечения равномерной глубины сверления. Ослабьте боковую рукоятку, чтобы отрегулировать ограничитель глубины в соответствии с необходимой глубиной. После этого затяните боковую рукоятку.

- ◆ Ослабьте боковую рукоятку (9), повернув ручку против часовой стрелки.
- ◆ Установите ограничитель глубины (8) в необходимое положение. Максимальная глубина сверления равна расстоянию между кончиком насадки и передним концом ограничителя глубины.
- ◆ Затяните боковую рукоятку, повернув ручку по часовой стрелке.

Включение и выключение (рис. А)

Внимание! Перед подключением к источнику питания убедитесь, что пусковой выключатель можно свободно нажимать, и после отпускания он может вернуться в исходное положение. Пожалуйста, проверьте блокировку переключателя перед включением и убедитесь, что блокировка выключена перед подключением к источнику питания.

- ◆ Чтобы включить инструмент, нажмите на пусковой выключатель с регулировкой скорости (3). Скорость инструмента зависит от степени нажатия на курковый выключатель.

- ◆ Как правило, для высверливания отверстий большого диаметра следует выбирать низкую скорость, а для отверстий малого диаметра — высокую.
- ◆ При выполнении длительных работ нажмите на кнопку блокировки выключателя (2) и отпустите пусковой выключатель.
- ◆ Чтобы выключить инструмент, отпустите пусковой выключатель с регулировкой скорости. Чтобы отключить инструмент в режиме длительной работы, нажмите на пусковой выключатель еще раз и отпустите его.

Замена держателя насадок SDS-Plus на быстрозажимной патрон (SMEH210 – рис. G)

- ◆ Поверните зажимное кольцо (6) в положение разблокировки и извлеките держатель насадок SDS Plus (7).
- ◆ Установите быстрозажимной патрон (13) на шпindel и поверните зажимное кольцо (14) в положение блокировки.

Для замены быстрозажимного патрона на держатель насадок SDS Plus сначала снимите быстрозажимной патрон аналогично снятию держателя насадок SDS Plus. Затем установите держатель насадок аналогично установке быстрозажимного патрона. Обязательно поверните зажимное кольцо в положение блокировки.

Внимание! Никогда не используйте стандартные патроны в режиме ударного сверления.

Выбор режима работы (рис. B)

Данный инструмент имеет следующие режимы работы:

Сверление без удара: для сверления в стали, дереве и пластиках.

Сверление с ударом: для сверления в бетоне и каменной кладке. Вращение насадки: нерабочее положение используется только для поворота плоского долота на нужный угол.

Долбление только: для легких работ по долблению и разбиванию. В этом режиме инструмент можно также использовать как рычаг для высвобождения зажатых сверл.

1. Для выбора рабочего режима нажмите на кнопку переключения режимов и вращайте переключатель режимов (5), пока он не укажет на символ требуемого режима.
2. Отпустите кнопку переключения режимов и убедитесь, что переключатель режимов зафиксирован в выбранном положении.

Внимание! Не выполняйте смену рабочего режима на работающем инструменте.


Правильное положение рук (рис. D, рис. F)

Внимание! Во избежание риска получения серьезных травм ВСЕГДА используйте правильное положение рук, как показано на рисунке.

Внимание! Во избежание риска получения серьезных травм ВСЕГДА крепко держите инструмент, предупреждая внезапную резкую отдачу.

При правильном расположении рук одна рука находится на боковой рукоятке (9), а другая на основной рукоятке (1).

Сверление без удара (рис. B, рис. D, рис. C1/C2, рис. G)

- ◆ Для сверления стали, древесины и пластмассы, установите переключатель режимов работы (5) в положение .

- ◆ Установите узел патрона. В зависимости от используемого инструмента выполните одно из следующих действий:

SFMEH210: Замените держатель насадок SDS Plus (7) на быстрозажимной патрон (13).

Внимание! Никогда не используйте держатели насадок в режиме сверления с ударом.

Сверление с ударом (рис. B)

- ◆ Для сверления с ударом в кирпичной кладке и бетоне установите переключатель режимов сверления (5) в положение .
- ◆ Сверло должно быть точно установлено в положении отверстия для сверления. После этого потяните выключатель для оптимального эффекта. Убедитесь, что инструмент находится в правильном положении, чтобы предотвратить отклонение сверла от отверстия.
- ◆ Если отверстие забито мусором или мелким порошком, не применяйте давление. Инструмент должен быть переведен в состояние свободного движения перед удалением насадки из отверстия. После нескольких повторений, блокировка в отверстии будет устранена, и можно восстановить нормальное сверление.

Внимание! Когда насадка касается стальной арматуры в цементе, может произойти опасная отдача. Надежно удерживайте инструмент в уравновешенном и устойчивом положении, чтобы избежать опасной отдачи.


Предохранительная муфта

Все перфораторы оснащены предохранительной муфтой, которая уменьшает реакцию максимального момента, передаваемую оператору в случае заклинивания насадки. Это устройство также предотвращает останов трансмиссии и электродвигателя. Муфта предельного момента установлена на заводе-изготовителе и не может регулироваться.

Муфта предохранения от перегрузки

Если насадка застряла или зацепилась, движущая сила, передаваемая на буровой вал, будет отключена. Это приведет к сильной отдаче, поэтому необходимо крепко держать инструмент обеими руками, чтобы оставаться в устойчивом положении.

Долбление и разбивание (рис. В)

- ◆ Установите переключатель режимов (5) в положение «долбление только» .
- ◆ Вставьте соответствующее долото и зафиксируйте его, вращая вручную.
- Отрегулируйте боковую рукоятку (9) в соответствии с необходимостью.
- Включите инструмент и приступайте к работе.
- Обязательно выключайте инструмент после завершения работы и перед отсоединением от сети.

Внимание! Не используйте инструмент для смешивания или нагнетания легковоспламеняющихся или взрывчатых жидкостей (бензина, спирта и т. п.). Не смешивайте легковоспламеняющиеся жидкости, имеющие соответствующую маркировку.

Дополнительные принадлежности

Производительность вашего инструмента напрямую зависит от используемых принадлежностей. Принадлежности Stanley Fat Max и Piranha изготовлены в соответствии с самыми высокими стандартами качества и способны увеличить производительность вашего инструмента. Используя эти принадлежности, вы достигнете наилучших результатов в работе.

Техническое обслуживание

Проводной/беспроводной инструмент/устройство Stanley Fat Max имеет длительный срок эксплуатации и требует минимальных затрат на техобслуживание. Срок службы и надежность инструмента увеличивается при правильном уходе и регулярной чистке.

Внимание! Перед выполнением любых работ по обслуживанию проводных/беспроводных инструментов:

- ◆ Выключите и отключите от питания устройство/инструмент.
- ◆ Или выключите устройство/инструмент и вытащите батарею, если для него есть отдельная аккумуляторная батарея.
- ◆ Или полностью выработайте заряд аккумуляторной батареи, если она встроенная и затем выключите инструмент.
- ◆ Перед чисткой зарядного устройства отключите его от источника питания. Зарядное устройство не требует никакого технического обслуживания кроме регулярной чистки.

- ◆ Регулярно очищайте вентиляционные отверстия устройства/инструмента/зарядного устройства с помощью мягкой щетки или сухой тканевой салфетки.
- ◆ Регулярно очищайте корпус двигателя с помощью влажной салфетки. Не используйте никакие абразивные чистящие средства или средства на основе растворителей.
- ◆ Регулярно открывайте патрон и очищайте его от грязи внутри постукиванием (после установки).

Замена штепсельной вилки (только для Великобритании и Ирландии)

В случае необходимости установки новой штепсельной вилки:

- ◆ Осторожно снимите старую вилку.
- ◆ Подсоедините коричневый провод к терминалу фазы в новой вилке.
- ◆ Подсоедините синий провод к нулевому терминалу.

Внимание! Заземления не требуется. Соблюдайте инструкции по установке вилки высокого качества. Рекомендованный предохранитель: 10 А.

Защита окружающей среды



Отдельная утилизация. Изделия и аккумуляторные батареи с данным символом на маркировке запрещается утилизировать с обычными бытовыми отходами.

Изделия и аккумуляторные батареи содержат материалы, которые могут быть извлечены или переработаны, снижая потребность в исходном сырье. Пожалуйста, утилизируйте электрические изделия и аккумуляторные батареи в соответствии с местными нормами. Дополнительная информация доступна по адресу www.2helpU.com

Технические характеристики

		SFMEH200 (Тип 1)	SFMEH210 (Тип 1)
Напряжение	В	230	230
Частота	Гц	50	50
Потребляемая мощность	Вт	780	800
Скорость без нагрузки	мин ⁻¹	0 - 1250	0 - 1250
Скорость удара	уд/ мин.	0-4670	0-4670
Энергия удара (EPTA/Max)	Дж	2,2 / 23,1	2,4 / 2,4
Максимальный диаметр сверления			
- Дерево	мм	30	30
- Металл	мм	13	13
- Бетон	мм	24	26

Stanley Fat Max Europe, Egide Walschaertsstraat 14-18,
2800 Mechelen, Бельгия
27.06.2019

		SFMEH200 (Тип 1)	SFMEH210 (Тип 1)
Вес	кг	2,6	2,7

SFMEH200 Уровень звукового давления согласно EN60745:		
Звуковое давление (L_{pA})	дБ(А)	92,5
Погрешность звукового давления (K_{pA})	дБ(А)	3
Акустическая мощность (L_{WA})	дБ(А)	103,5
Погрешность акустической мощности (K_{WA})	дБ(А)	3
Значения вибрационного воздействия аН:		
($a_{h,CHec}$)	м/с ²	16,3
($a_{h,HP}$)	м/с ²	17,2
Погрешность (К)	м/с ²	1,5

SFMEH210 Уровень звукового давления согласно EN60745:		
Звуковое давление (L_{pA})	дБ(А)	90,7
Погрешность звукового давления (K_{pA})	дБ(А)	3
Акустическая мощность (L_{WA})	дБ(А)	101,7
Погрешность акустической мощности (K_{WA})	дБ(А)	3
Значения вибрационного воздействия аН:		
($a_{h,CHec}$)	м/с ²	17,6
($a_{h,HP}$)	м/с ²	17,4
Погрешность (К)	м/с ²	1,5

Гарантия

Компания Stanley Europe с уверенностью в качестве своей продукции предлагает клиентам гарантию на 12 месяцев с момента покупки. Данная гарантия является дополнительной и ни в коей мере не направлена на ущемление Ваших юридических прав. Гарантия действует на территории стран-участниц Европейского союза и в Европейской зоне свободной торговли.

Чтобы подать заявку по гарантии, заявка должна соответствовать положениям и условиям Black & Decker; кроме того, Вам потребуется предъявить продавцу или авторизованному специалисту по ремонту подтверждение покупки. Положения и условия 1-летней гарантии Stanley Europe и местонахождение ближайшего авторизованного специалиста по ремонту можно узнать через Интернет по адресу www.2helpU.com, или связавшись с местным представительством Stanley Europe по адресу, указанному в данном руководстве.

Посетите наш веб-сайт www.stanley.eu/3, чтобы зарегистрировать свое новое изделие Stanley Fat Max и получить информацию о новинках и специальных предложениях. stanley.eu/3

Заявление о соответствии нормам ЕС ДИРЕКТИВА ПО МЕХАНИЧЕСКОМУ ОБОРУДОВАНИЮ



SMEH200, SMEH210 Перфоратор

Stanley Europe заявляет, что продукция, описанная в разделе «Технические характеристики» соответствует: 2006/42/ЕС, EN 60745-1, EN 60745-2-6

Эти продукты также соответствуют Директивам 2014/30/EU и 2011/65/EU. За дополнительной информацией обращайтесь в компанию Stanley Europe по адресу, указанному ниже или приведенному на

задней стороне обложки руководства.

Нижеподписавшийся несет ответственность за составление технической документации и составил данную декларацию по поручению компании Stanley Europe.

А. П. Смит (A. P. Smith)
Технический директор



Приложение к руководству по эксплуатации электрооборудования для определения месяца производства по номеру текущей календарной недели года

Электрооборудование торговых марок "Dewalt", "Stanley", "Stanley FatMAX", "BLACK+DECKER".

Директивы 2014/30/EU ЕВРОПЕЙСКОГО ПАРЛАМЕНТА И СОВЕТА от 26 февраля 2014 г. "О гармонизации законодательств Государств-членов ЕС в области электромагнитной совместимости", 2006/42/ЕС ЕВРОПЕЙСКОГО ПАРЛАМЕНТА И СОВЕТА от 17 мая 2006 г. "О машинах и оборудовании"; 2014/35/EU ЕВРОПЕЙСКОГО ПАРЛАМЕНТА И СОВЕТА от 26 февраля 2014 г. "О гармонизации законодательств государств-членов в области размещения на рынке электрооборудования, предназначенного для использования в определенных пределах напряжения". Серийный выпуск.

ТОВАР СЕРТИФИЦИРОВАН

Орган по сертификации "РОСТЕСТ- Москва", Адрес: 119049, г. Москва, улица Житная, д. 14, стр. 1; 117418, Москва, Нахимовский просп., 31 (фактический), Телефон: (499) 1292311, (495) 6682893, Факс: (495) 6682893, E-mail: office@rostest.ru
Изготовитель: Изготовитель: Блэк энд Деккер Холдингс ГмбХ, Германия, 65510, Идштайн, ул. Блэк энд Деккер, 40, тел. +496126212790.

Уполномоченное изготовителем юр.лицо:

ООО "Стэнли Блэк энд Деккер", 117485, город Москва, улица Обручева, дом 30/1, строение 2
Телефон: + 7 (495) 258-3981, факс: + 7 (495) 258-3984, E-mail: inbosh@dewalt.com
Сведения о импортере указаны в сопроводительной документации и/или на упаковке

Хранение.

Необходимо хранить в сухом месте, вдали от источников повышенных температур и воздействия солнечных лучей. При хранении необходимо избегать резкого перепада температур. Хранение без упаковки не допускается

Срок службы.

Срок службы изделия составляет 5 лет. Не рекомендуется к эксплуатации по истечении 5 лет хранения с даты изготовления без предварительной проверки.

Дата изготовления (код даты) указана на корпусе инструмента.

Код даты, который также включает год изготовления, отштампован на поверхности корпуса изделия.

Пример:

2014 46 XX, где 2014 –год изготовления, 46-неделя изготовления.

Определить месяц изготовления по указанной неделе изготовления можно согласно приведенной ниже таблице.

Транспортировка.

Категорически не допускается падение и любые механические воздействия на упаковку при транспортировке. При разгрузке/погрузке не допускается использование любого вида техники, работающей по принципу зажима упаковки.

Перечень критических отказов, возможные ошибочные действия персонала.

Не допускается эксплуатация изделия:

- При появлении дыма из корпуса изделия
- При повреждении и/или оголенном сетевом кабеле
- при повреждении корпуса изделия, защитного кожуха, рукоятки
- при попадании жидкости в корпус
- при возникновении сильной вибрации
- при возникновении сильного искрения внутри корпуса

Критерии предельных состояний.

- При поврежденном и/или оголенном сетевом кабеле
- при повреждении корпуса изделия

Месяц	Январь	Февраль	Март	Апрель	Май	Июнь	Июль	Август	Сентябрь	Октябрь	Ноябрь	Декабрь	Год производства
Неделя	1	5	9	14	18	23	27	31	36	40	44	49	2018
	2	6	10	15	19	24	28	32	37	41	45	50	
	3	7	11	16	20	25	29	33	38	42	46	51	
	4	8	12	17	21	26	30	34	39	43	47	52	
Неделя			13		22			35				48	2019
	1	6	10	14	18	23	27	31	36	40	45	49	
	2	7	11	15	19	24	28	32	37	41	46	50	
	3	8	12	16	20	25	29	33	38	42	47	51	
	4	9	13	17	21	26	30	34	39	43	48	52	
Неделя					22			35		44			2020
	1	6	10	14	19	23	27	32	36	40	45	49	
	2	7	11	15	20	24	28	33	37	41	46	50	
	3	8	12	16	21	25	29	34	38	42	47	51	
	4	9	13	17	22	26	30	35	39	43	48	52	
Неделя				18			31		44				2021
	2	6	10	14	19	23	27	32	36	41	45	49	
	3	7	11	15	20	24	28	33	37	42	46	50	
	4	8	12	16	21	25	29	34	38	43	47	51	
	5	9	13	17	22	26	30	35	39	44	48	52	
Неделя					18				40			1	2022
	2	6	10	15	19	23	28	32	36	41	45	49	
	3	7	11	16	20	24	29	33	37	42	46	50	
	4	8	12	17	21	25	30	34	38	43	47	51	
	5	9	13	18	22	26	31	35	39	44	48	52	
			14			27			40			1	

STANLEY
FATMAX

ГАРАНТИЙНЫЙ ТАЛОН

3 ГОДА
ГАРАНТИИ

1. Поздравляем Вас с покупкой высококачественного изделия STANLEY FATMAX и выражаем признательность за Ваш выбор.
2. При покупке изделия требуйте проверки его комплектности и исправности в Вашем присутствии, инструкцию по эксплуатации и заполненный Гарантийный талон на русском языке. В гарантийном талоне должны быть внесены: модель, дата продажи, серийный номер, дата производства инструмента; название, печать и подпись торговой организации. При отсутствии у Вас правильно заполненного Гарантийного талона, а также несоответствия указанных в нем данных, мы будем вынуждены отклонить Ваши претензии по качеству данного изделия.
3. Во избежание недоразумений, убедительно просим Вас перед началом работы с изделием внимательно ознакомиться с инструкцией по его эксплуатации. Правовой основой настоящих гарантийных условий является действующее Законодательство. Гарантийный срок на данное изделие составляет 36 месяцев и исчисляется со дня продажи. В случае устранения недостатков изделия, гарантийный срок продлевается на период его нахождения в ремонте. Срок службы изделия составляет 5 лет со дня продажи.
4. В случае возникновения каких-либо проблем в процессе эксплуатации изделия рекомендуем Вам обращаться только в уполномоченные сервисные центры STANLEY FATMAX, адреса и телефоны которых Вы сможете найти на сайте www.2helpU.com или узнать в магазине. Наши сервисные станции - это не только квалифицированный ремонт, но и широкий ассортимент запчастей и принадлежностей.
5. Производитель рекомендует проводить периодическую проверку и техническое обслуживание изделия в уполномоченных сервисных центрах.
6. Наши гарантийные обязательства распространяются только на неисправности, выявленные в течение гарантийного срока и вызванные дефектами производства и / или материалов.
7. Гарантийные условия не распространяются на неисправности изделия, возникшие в результате:
 - 7.1. Несоблюдения пользователем предписаний инструкции по эксплуатации изделия, применения изделия не по назначению, неправильного хранения, использования принадлежностей, расходных материалов и запчастей, не предусмотренных производителем.
 - 7.2. Механического повреждения (сколы, трещины и разрушения) внутренних и внешних деталей изделия, основных и вспомогательных рукояток, сетевого электрического кабеля, вызванного внешним ударным или любым иным воздействием.
 - 7.3. Попадания в вентиляционные отверстия и проникновение внутрь изделия посторонних предметов, материалов или веществ, не являющихся отходами, сопровождающими применение изделия по назначению, такими как: стружка, опилки, песок, и пр.
 - 7.4. Воздействия на изделие неблагоприятных атмосферных и иных внешних факторов, таких как дождь, снег, повышенная влажность, нагрев, агрессивные среды, несоответствие параметров питающей электросети, указанных на инструменте.
 - 7.5. Стихийного бедствия. Повреждение или утрата изделия, связанное с непредвиденными бедствиями, стихийными явлениями, в том числе вследствие действия непреодолимой силы (пожар, молния, потоп и другие природные явления), а также вследствие перепадов напряжения в электросети и других причин, которые находятся вне контроля производителя.
8. Гарантийные условия не распространяются:
 - 8.1. На инструменты, подвергавшиеся вскрытию, ремонту или модификации вне уполномоченного сервисного центра.
 - 8.2. На детали и узлы, имеющие следы естественного износа, такие как: приводные ремни и колеса, угольные щетки, смазка, подшипники, зубчатое зацепление редукторов, резиновые уплотнения, сальники, направляющие ролики, муфты сцепления, бойки, толкатели, стволы, и т.п.
 - 8.3. На сменные и расходные части: цанги, зажимные гайки и фланцы, фильтры, ножи, шлифовальные подошвы, цепи, звездочки, пыльные шины, защитные кожухи, пилки, абразивы, пыльные и абразивные диски, фрезы, сверла, буры и т.п.
 - 8.4. На неисправности, возникшие в результате перегрузки инструмента (как механической, так и электрической), повлекшей выход из строя одновременно двух и более деталей и узлов, таких как ротора и статора, обеих обмоток статора, ведомой и ведущей шестерни редуктора или других узлов и деталей. К безусловным признакам перегрузки изделия относятся, помимо прочего: появление цветов побежалости, деформация или оплавление деталей и узлов изделия, потемнение или обугливание изоляции проводов электродвигателя под воздействием высокой температуры.

Товар получен в исправном состоянии, без видимых повреждений, в полной комплектации, проверен в моем присутствии, претензий по качеству товара не имею. С условиями гарантийного обслуживания ознакомлен и согласен.

Ф. И. О. и подпись покупателя _____

Уважаемые клиенты, наша сеть авторизованных сервисных центров постоянно расширяется. Актуальную информацию об обслуживании в интересующем вас городе вы можете узнать на сайте

www.2helpU.com

Информация об инструменте

Наименование инструмента	
Модель	
Наименование продавца	
Дата продажи	

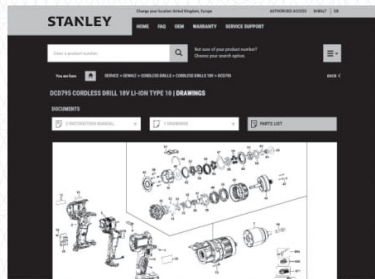
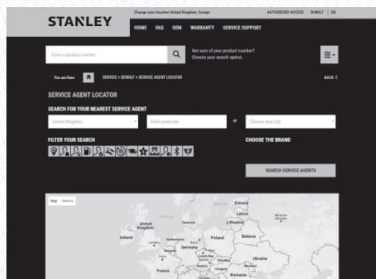
М.П.
Продавца

Серийный номер / Дата производства

Инструмент	
Зарядное устройство	
Аккумулятор 1	
Аккумулятор 2	

На сайте www.2helpU.com доступны следующие функции:

- Список авторизованных сервисных центров
- Удобный поиск ближайшего сервисного центра
- Руководство по эксплуатации
- Технические характеристики
- Список деталей и запасных частей
- Схема сборки инструмента



Также данную информацию вы можете получить, позвонив по телефону:

8(800) 1000 876

ОТМЕТКА О ПРОВЕДЕНИИ СЕРВИСНОГО ОБСЛУЖИВАНИЯ

№1	№2	№3	№4
№ заказа	№ заказа	№ заказа	№ заказа
Дата поступления	Дата поступления	Дата поступления	Дата поступления
Дата ремонта	Дата ремонта	Дата ремонта	Дата ремонта
Печать и подпись сервисного центра	Печать и подпись сервисного центра	Печать и подпись сервисного центра	Печать и подпись сервисного центра

Використання за призначенням Перфоратор STANLEY® FATMAX® SFMEH200 і SFMEH210 SDS-Plus призначений для свердління отворів у цементі, цеглі, деревині і сталі, а також для застосувань легкого відбивання та кернового свердління з карбідним наконечником. Цей пристрій призначений для професійного використання, а також для приватного непрофесійного використання.

Інструкції з техніки безпеки

Загальні правила безпеки для електричного інструмента



Увага! Прочитайте всі попередження та інструкції. Невиконання наведених нижче попереджень та інструкцій може призвести до ураження електричним струмом, пожежі та/або серйозних травм.

Збережіть всі попередження та інструкції для використання в майбутньому. Термін «електричний інструмент» в усіх попередженнях, перерахованих нижче, стосується використовуваних вами інструментів, що працюють від мережі енергоспоживання (з використанням електричного кабелю) або батарей (без кабелю).

1. Безпека робочої зони

- a. **Тримайте робочу зону чистою та добре освітленою.** Невпорядковані й темні робочі зони збільшують імовірність нещасного випадку.
- b. **Не використовуйте електричні інструменти у вибухонебезпечній атмосфері, наприклад у присутності займистих рідин, газів та пилу.** Електричні інструменти створюють іскри, що можуть запалити пил або випаровування.
- c. **Тримайте дітей та сторонніх подалі під час використання інструмента.** Відвернення уваги може призвести до втрати контролю.

2. Електрична безпека

- a. **Вилка електричного інструмента має відповідати розетці. Ніколи жодним чином не змінюйте вилку. Не використовуйте адаптери з заземленими електричними інструментами.** Немодифіковані вилки та розетки, що відповідають їм, зменшують ризик ураження електричним струмом.
- b. **Уникайте контакту тіла із заземленими поверхнями, такими як труби, радіатори, плити та холодильники.** Якщо ваше тіло заземлене, збільшується ризик ураження електричним струмом.
- c. **Не залишайте електричні інструменти під дощем або за умов підвищеної вологості.** Вода, що

попадає в електричний інструмент, підвищує ризик ураження електричним струмом.

- d. **Не використовуйте кабель живлення не за призначенням. Ніколи не переносьте, не тягніть та не відключайте електричний інструмент від розетки живлення за допомогою шнура. Тримайте шнур подалі від високих температур, мастила, гострих предметів та рухомих деталей.** Пошкоджені або перекручені шнури підвищують ризик ураження електричним струмом.
 - e. **Під час експлуатації електричного інструмента на вулиці використовуйте подовжувальний шнур, що призначений для використання поза приміщеннями.** Використання шнура, що призначений для використання поза приміщеннями, знижує ризик ураження електричним струмом.
 - f. **Якщо неможливо уникнути використання електричного інструмента за умов підвищеної вологості, використовуйте джерело живлення, захищене пристроєм з керуванням диференційним струмом (RCD).** Використання RCD знижує ризик ураження електричним струмом.
- ### 3. Особиста безпека
- a. **Будьте в стані готовності, дивіться, що ви робите, та будьте розсудливі, працюючи з електричним інструментом. Не використовуйте електричний інструмент, коли ви втомлені або знаходитесь під впливом наркотичних речовин, алкоголю або ліків.** Втрата уваги під час роботи з електричним інструментами може призвести до серйозних травм.
 - b. **Використовуйте особисті засоби безпеки. Завжди використовуйте засоби захисту очей.** Засоби безпеки, такі як протипилова маска, нековзкий безпечні черевики, захисний шолом та засоби захисту слухового апарату, які використані для відповідних умов, зменшують імовірність особистих травм.
 - c. **Уникайте випадкового запуску. Переконайтесь в тому, що перемикач знаходиться в позиції Вимк., перш ніж підключати інструмент до джерела живлення та/або акумулятора, переміщувати або переносити.** Якщо ви переносите інструмент, тримаючи палець на перемикачі, або підключаєте живлення з перемикачем в позиції Увімк., це може призвести до нещасного випадку.
 - d. **Змініть всі налаштувальні ключі або гайкові ключі перед вмиканням електричного інструмента.** Гайковий ключ, що залишився прикріпленим до якоїсь деталі електричного пристрою, що обертається, може призвести до травм.
 - e. **Не перенапружуйтеся. Завжди утримуйте правильну постановку ніг і рівновагу.** Це дає вам змогу краще контролювати інструмент.

непередбачуваних ситуаціях.

- f. **Вдягайте відповідний одяг. Не вдягайте вільний одяг або прикраси. Тримайте ваше волосся, одяг та рукавички подалі від рухомих деталей.** Вільний одяг, прикраси або довге волосся можуть зачепитися за рухомі деталі.
 - g. **Якщо передбачені пристрої для підключення до засобів виділення та збирання пилу, переконайтеся, що вони правильно підключені та використовуються.** Використання таких пристроїв зменшує ризик виникнення небезпечних ситуацій, що пов'язані з потраплянням пилу.
4. **Використання електричного інструмента та догляд за ним**
 - a. **Не застосовуйте надмірні зусилля під час роботи з інструментом. Використовуйте електричний інструмент, який відповідає завданню, що виконується.** Правильно обраний інструмент виконає завдання краще та безпечніше за умов, для яких він був розроблений.
 - b. **Не використовуйте інструмент, вмикач якого не вмикає та не вимикає його.** Будь-який електричний інструмент, який не може управлятися вмикачем, є небезпечним і має бути відремонтований.
 - c. **Відключіть вилку від джерела живлення та/або зніміть акумуляторний блок з електричного інструмента перед тим, як робити будь-які налаштування, змінювати додаткове обладнання чи зберігати електричні інструменти.** Ці профілактичні заходи зменшують ризик випадкового запуску електричного інструмента.
 - d. **Зберігайте вимкнені електричні інструменти подалі від дітей та не дозволяйте особам, що не знайомі з електричним інструментом або цими інструкціями, використовувати електричний інструмент.** Електричні інструменти є небезпечними, якщо вони використовуються некваліфікованими користувачами.
 - e. **Технічне обслуговування електричних інструментів. Перевіряйте несумісність або заїдання рухомих деталей, наявність ушкоджених частин та інших умов, що можуть впливати на роботу електричного інструмента. Якщо є пошкодження, відремонтуйте електричний інструмент перед використанням.** Багато нещасних випадків є результатом того, що інструмент не пройшов відповідного технічного обслуговування.
 - f. **Тримайте ріжучі інструменти гострими та чистими.** Правильно доглянуті ріжучі інструменти з гострими ріжучими кромками мають меншу ймовірність заїдання, та ними легше керувати.
 - g. **Використовуйте електричний інструмент, приладдя та деталі інструмента тощо у**

відповідності до цих інструкцій, зважаючи на умови використання та роботу, яка має бути виконана. Використання електричних інструментів не за призначенням може призвести до виникнення небезпечних ситуацій.

5. Обслуговування

- a. **Передавайте електричний інструмент для обслуговування кваліфікованим спеціалістам з ремонту та використовуйте тільки ідентичні замінні деталі.** Це забезпечить безпеку електричного пристрою.

Додаткові правила безпеки для електричного інструмента



Увага! Увага! Додаткові інструкції з техніки безпеки для перфораторів та відбивних молотків.

- ◆ **Використовуйте засоби захисту слуху.** Шум може призвести до втрати слуху.
- ◆ **Використовуйте додаткові ручки, що надаються з інструментом.** Втрата контролю над інструментом може викликати травми.
- ◆ **Тримайте інструмент за ізольовану поверхню при виконанні операцій коли ріжучі аксесуари можуть торкнутися проводки або власного кабелю.** У разі контакту різального приладдя з дротом під напругою може з'явитися напруга в металевих деталях інструмента, що може призвести до ураження оператора електричним струмом
- ◆ **Не використовуйте насадку-долото в режимі з обертанням.** Таке приладдя може застрягти в матеріалі та повернути ударний дріль.
- ◆ **Використовуйте затискач або інший спосіб закріплення деталі, що оброблюється, на стабільній платформі.** Утримування деталі в руці та притискання до тіла робить її нестабільною та може призвести до втрати контролю.
- ◆ **Перед свердлінням стін, підлоги та стелі переконайтеся, що в цьому місці відсутні електрична проводка та труби.**
- ◆ **Уникайте контакту з кінцем свердла відразу після свердління, тому що він може бути гарячим.**
- ◆ **Використання за призначенням описане в цьому керівництві з використання. Використання будь-якого приладдя чи додаткового обладнання або виконання будь-яких дій з інструментом, що суперечать рекомендаціям цього посібника, може призвести до ризику травмування людини та/або пошкодження майна.**

Безпека оточення

- ◆ Цей пристрій не призначений для використання особами (включаючи дітей) із зниженими фізичними, сенсорними або розумовими можливостями або особами, яким бракує досвіду або знань за винятком випадків, коли такі особи працюють під наглядом або отримали інструкції щодо використання пристрою від особи, яка несе відповідальність за їх безпеку.
- ◆ Уважно слідкуйте за тим, щоб діти не гралися з пристроєм.

Залишкові ризики.

Під час використання інструмента можуть виникнути додаткові залишкові ризики, які не внесені до попереджень щодо техніки безпеки в цьому посібнику. Ці ризики можуть виникнути як результат неправильного використання, тривалого використання тощо.

Незважаючи на виконання всіх відповідних правил техніки безпеки та використання захисних пристроїв, неможливо уникнути деяких залишкових ризиків. Сюди належать:

- ◆ Травми через контакт з деталями, що рухаються/обертуються.
- ◆ Травми під час заміни деталей, пильних дисків або аксесуарів.
- ◆ Травми через занадто тривале використання інструменту. Під час використання будь-якого інструменту протягом тривалого періоду часу не забувайте робити регулярні перерви.
- ◆ Порушення слуху.
- ◆ небезпека для здоров'я через вдихання пилю, що утворюється під час використання інструменту (наприклад, при роботі з деревом, особливо з дубом, буком та ДВП).

Вібрація

Значення вібрації, вказані у технічних даних та у декларації про відповідність виміряні з дотриманням стандартних методів тестування, наданих в EN 60745, та їх можна використовувати для порівняння одного інструменту з іншим. Задекларовані значення вібрації можна також використовувати для попереднього оцінювання впливу вібрації.

Увага! Значення вібрації під час використання інструмента може відрізнятися від задекларованого в залежності від способів використання інструмента. Рівень вібрації може перевищувати вказані значення.

Оцінюючи вплив вібрації для визначення заходів безпеки за вимогами 2002/44/ЕС, щоб захистити людей, які регулярно використовують інструменти в роботі, необхідно враховувати реальні умови та способи використання інструмента, у тому числі всі періоди робочого циклу, наприклад час, коли інструмент вимкнено та коли він

працює в режимі холостого ходу, а також час, потрібний для запуску інструмента.

Написи на інструменті

Наступні піктограми нанесено на інструмент разом з кодом дати:



Увага! Щоб зменшити ризик травм, користувач повинен прочитати посібник з експлуатації.



Використовуйте захисні окуляри.



Використовуйте засоби захисту органів слуху.

Електрична безпека



Цей пристрій має подвійну ізоляцію; тому заземлення не є необхідним. Завжди перевіряйте відповідність джерела живлення напрузі, яка вказана на табличці з паспортними даними.

- ◆ Якщо шнур живлення пошкоджений, його необхідно замінити у виробника або в офіційному сервісному центрі компанії Stanley Fat Max для уникнення небезпеки.

Використання подовжувального кабелю

Завжди використовуйте рекомендований подовжуючий шнур, що відповідає вхідній потужності пристрою (див. Технічні дані).

Подовжувальний шнур повинен підходити для використання на вулиці та повинен мати відповідне маркування. До 30 м подовжувального шнура з площею перетину 1,5 мм² H05VV-F можна використовувати без втрати продуктивності роботу виробу. Перед використанням огляньте кабель, щоб виявити ознаки пошкодження, зносу та старіння. Замініть кабель, якщо він пошкоджений або має якісь дефекти. У разі використання кабельного барабану завжди витягуйте весь кабель.

Компоненти

Цей пристрій оснащено всіма або кількома з вказаних нижче компонентів.

1. Основна ручка
2. Кнопка розблокування
3. Перемикач змінної швидкості
4. Перемикач вперед/назад
5. Перемикач режимів роботи
6. Муфта
7. SDS + патрон для свердління
8. Обмежувач глибини
9. Бокова ручка
10. Код дати

11. Насадка SDS-Plus
12. Пилозбірник
13. Патрон без ключа

Монтаж

Увага! Перед виконанням будь-якої з наступних операцій переконайтесь, що інструмент вимкнений та відключений від мережі живлення.

Прикріплення бокової ручки (рис. А)

Увага! При користуванні інструментом застосовуйте бокову ручку (9) задля безпеки.

Бокова ручка може бути встановлена так, щоб бути зручною для використання як правою, так і лівою рукою.

- ◆ Поверніть затискач проти годинникової стрілки так, щоб бокова ручка була встановлена на передню частину інструменту.
- ◆ Поверніть бокову ручку у необхідну позицію.
- ◆ Затягніть бокову ручку, повернувши затискач за годинниковою стрілкою.

Увага! При використанні інструменту не забувайте належним чином встановлювати бічні ручки.

Встановлення приладдя (рис. А)

- ◆ Очистіть та змастіть хвостовик (11) насадки SDS-Plus.
- ◆ Вставте хвостовик приладдя SDS + патрон (7).
- ◆ Натисніть на приладдя вниз та трохи поверніть його так, щоб воно ввійшло в отвір.
- ◆ Потягніть за приладдя щоб переконатися, що воно добре закріплене.
Функція свердління з ударом вимагає, щоб приладдя могло рухатись по осі на кілька сантиметрів після замикання в патроні інструменту.
- ◆ Для видалення приладдя потягніть за обойму (6) і витягніть приладдя з патрону.

Вставлення пилозбірника (рис. Е)

- ◆ Вставте насадку SDS Plus (11) у пилозбірник (14), потім вставте насадку (11) з пилозбірником у патрон (7).
- ◆ Використовуйте пилозбірник тільки коли інструмент за умови свердління у вертикальному положенні (рис. F).

Використання

Увага! Завжди використовуйте рукавиці при зміні насадок. Відкриті металеві деталі інструменту та насадки можуть бути дуже гарячими під час роботи. Застосовуйте нормальне навантаження при роботі з інструментом. Не перевантажуйте його. Не зловживайте інструментом; ознайомтесь з інструкціями щодо правильного користування інструментом.

Увага! Перед свердлінням стін, підлоги та стелі переконайтесь, що в цьому місці відсутні електрична проводка та труби.

Налаштування глибини свердління (рис. А)

Обмежувач глибини являє собою зручний спосіб забезпечити однакову глибину свердління. Відпустіть бокову ручку для встановлення лінійки на необхідну глибину. Після цього затягніть бокову ручку.

- ◆ Звільніть бокову ручку (9), повернувши затискач проти годинникової стрілки.
- ◆ Встановіть обмежувач глибини (8) у необхідне положення. Максимальна глибина свердління дорівнює відстані між кінцем свердла та переднім краєм обмежувача глибини.
- ◆ Затягніть бокову ручку, повернувши затискач за годинниковою стрілкою.

Увімкнення та вимкнення (рис. А)

Увага! Перед підключенням до джерела живлення переконайтесь, що вимикач може вільно натискатися та повертатися у вихідне положення після відпускання. Перевірте блокування перемикача перед вмиканням, і переконайтесь в тому, що перемикач розблоковано перед підключенням до джерела живлення.

- ◆ Щоб увімкнути інструмент, натисніть на перемикач змінної швидкості (3). Швидкість інструменту залежить від того, наскільки сильно ви натиснете на перемикач.
- ◆ Загальним правило є використання невеликих швидкостей для свердління за допомогою свердлів великих діаметрів та використання більших швидкостей для свердління за допомогою свердлів менших діаметрів.
- ◆ Для безперервної роботи натисніть кнопку блокування (2) та відпустіть перемикач змінної швидкості.
- ◆ Щоб вимкнути інструмент, відпустіть перемикач змінної швидкості. Щоб вимкнути інструмент при безперервній роботі, натисніть на вимикач змінної швидкості знову та відпустіть його.

Заміна тримача інструменту SDS Plus безключовим патроном (SMEH210 – рис. G)

- ◆ Поверніть затискну муфту (6) у положення розблокування та витягніть тримач інструменту SDS Plus (7).
- ◆ Вставте безключовий патрон (13) на шпindel та поверніть затискну муфту (14) у положення блокування.

Щоб замінити безключовий патрон на тримач інструменту SDS Plus, спочатку зніміть безключовий патрон так само, як знімається тримач інструменту. Потім замініть тримач інструменту таким самим чином, як встановлювався безключовий патрон, не забуваючи встановлювати затискну муфту у положення блокування.

Увага! Ніколи не використовуйте стандартні патрони в режимі ударного свердління.

Вибір режиму роботи (рис. В)

Цей інструмент має наступні режими роботи:

Роторне свердління: для вкручування шурупів та свердління металу, деревини та пластику.

Ударне свердління: для свердління бетону та каменю. Поворот насадки: неробочий режим, призначений лише для повороту плоского долота у бажане положення.

Тільки забивання молотком: для легкого обрубубання і відбивання. У цьому режимі інструмент також можна використовувати в якості важеля для звільнення затисненого свердла.

- Для вибору робочого режиму натисніть кнопку селектору режимів
І поверніть селектор режимів (5) так, щоб він вказував на символ бажаного режиму.
- Відпустіть кнопку селектору режиму та переконайтесь, що перемикач селектору режиму заблокований на місці.


Увага! Не обирайте робочий режим під час роботи інструмента.

Правильне положення рук (рис. D, рис. F)

Увага! Щоб знизити ризик серйозних травм, ЗАВЖДИ правильно розташуйте руки, як показано на рисунку.


Увага! Для зменшення ризику серйозних травм ЗАВЖДИ міцно тримайте інструмент на випадок можливої віддачі. При правильному положенні рук необхідно одну руку тримати на боковій ручці (9), а іншу – на основній ручці (1).

Роторне свердління (рис. В, рис. D, рис. С1/С2, рис. G)

- Для свердління металу, дерева та пластику встановіть селектор вибору режиму (5) в положення .
- Встановіть патрон для свердління. Виконайте наступні інструкції, що стосуються вашої моделі інструменту: **SFMEH210:** Замініть тримач інструменту SDS Plus (7) безключовим патроном (13).

Увага! Ніколи не використовуйте патрони для свердління в режимі ударного свердління.

Ударне свердління (рис. В)

- Для свердління з ударом кладки або бетону встановіть селектор вибору режиму (5) в положення .
- Бур встановлюється точно в місце майбутнього отвору. Після цього коротко натисніть на вимикач для оптимальної ефективності. Переконайтесь в тому, що інструмент знаходиться у правильному положенні щоб

запобігти відхиленню бури від напрямку отвору.

- Коли отвір заб'ється сміттям або дрібним пилом, не застосуйте подальший тиск. Витягніть частину бури з отвору, увімкніть інструмент без навантаження. Повторіть декілька разів щоб прочистити заблокований отвір, після чого можна продовжити свердління.

Увага! Потрапання бури у сталеву арматуру в цементі може спричинити небезпечну віддачу. Завжди міцно тримайте інструмент у зручному та стабільному положенні щоб запобігти небезпечній віддачі.


Запобіжна муфта

Всі перфоратори оснащені запобіжною муфтою, яка зменшує максимальний реактивний крутний момент, що передається оператору у випадку заїдання свердла. Ця функція також дозволяє уникнути заїдання передачі та електричного мотору. Муфта обмеження крутного моменту налаштована виробником, її неможливо налаштувати самостійно.

Перевантаження муфти

При затисканні або захопленні бури рушійна сила, яка передається на вал дреля, різко переривається. Це може спричинити сильну віддачу, тому необхідно міцно тримати інструмент обома руками, щоб залишатися у стабільному положенні.

Обрубубання і відбивання (рис. B)

- Встановіть перемикач селектору режиму (5) у положення «лише забивання» .
- Вставте відповідне долото та поверніть його рукою для заблокування у певному положенні.
- Встановіть бокову ручку (9) у необхідне положення.
- Увімкніть інструмент та почніть роботу.
- Завжди вимикайте інструмент, коли робота завершена, та перед відключенням від мережі живлення.

Увага! Не використовуйте цей інструмент для змішування та відкачування легкозаймистих або вибухонебезпечних рідин (бензин, спирт, тощо). Не змішуйте та не перемішуйте легкозаймисті рідини з відповідною поміткою.

Приладдя

Продуктивність роботи інструмента залежить від приладдя, яке ви використовуєте. Витратні матеріали виробництва компанії Stanley Fat Max and Piranha розроблені з дотриманням високих стандартів якості та створені для підвищення ефективності використання вашого інструмента. Використовуючи це обладнання, ви отримаєте максимум ефективності від вашого інструменту.

Технічне обслуговування

Ваш пристрій виробництва компанії Stanley Fat Max призначений для роботи протягом довгого часу з мінімальним

обслуговуванням. Тривала задовільна робота приладу залежить від належного обслуговування приладу та регулярного його очищення.

Увага! Перед виконанням будь-якого технічного обслуговування інструмента зі шнуром живлення або без нього виконайте такі дії.

- ◆ Вимкніть інструмент та відключіть його від мережі живлення.
- ◆ Або вимкніть інструмент та витягніть акумулятор з нього, якщо ваш пристрій має окремий акумуляторний блок.
- ◆ Або повністю розрядіть акумулятор, якщо пристрій має вбудований акумулятор, а потім вимкніть інструмент.
- ◆ Витягніть зарядний пристрій з розетки перед очищенням. Зарядний пристрій не вимагає технічного обслуговування, потрібно лише виконувати регулярне очищення.
- ◆ Регулярно очищуйте вентиляційні отвори пристрою/інструменту/зарядного пристрою за допомогою м'якої щітки або сухої ганчірки.
- ◆ Регулярно очищуйте корпус двигуна вологою тканиною. Не використовуйте абразивні очищувачі та засоби, що містять розчинники.
- ◆ Регулярно відкривайте затиснений патрон та струшуйте його, щоб видалити пил з середини (якщо патрон наявний).

Заміна шнура живлення (тільки для Великої Британії та Ірландії)

Якщо потрібно встановити нову вилку, виконайте кілька дій:

- ◆ Зніміть стару вилку та утилізуйте її, дотримуючись правил техніки безпеки.
- ◆ Приєднайте коричневий провідник до активного виходу нової вилки.
- ◆ Приєднайте блакитний провідник до нейтрального виходу.

Увага! Жоден провід не повинен бути підключений до клемі заземлення. Дотримуйтеся інструкцій щодо встановлення, які постачаються з якісними вилками. Плавкий запобіжник, що рекомендується: 10 А.

Захист навколишнього середовища



Роздільний збір. Пристрої та батареї, позначені цим символом, не можна викидати зі звичайним побутовим сміттям.

Пристрої та батареї містять матеріали, які можна відновити та переробити, що зменшить потребу у сировині. Будь ласка, віддавайте електричні інструменти та батареї на переробку відповідно до місцевих постанов. Більш детальну інформацію можна отримати на сайті www.2helpU.com

Технічні характеристики

		SFMEH200 (Тип 1)	SFMEH210 (Тип 1)
Напруга	В	230	230
Частота	Гц	50	50
Вхідна потужність	Вт	780	800
Швидкість без навантаження	хв ⁻¹	0-1250	0-1250
Швидкість при ударному навантаженні	уд/ хв	0-4670	0-4670
Ударна енергія (ЕРТА / макс.)	J	2,2/23,1	2,4/2,4
Максимальна глибина свердління			
- дерева	мм	30	30
- метал	мм	13	13
- бетон	мм	24	26
Маса	кг	2,6	2,7

SFMEH200 Рівень звукового тиску згідно з EN60745:		
Звуковий тиск (L_{pA})	дБ(А)	92,5
Похибка звукового тиску (K_{pA})	дБ(А)	3
Рівень звукової потужності (L_{WA})	дБ(А)	103,5
Похибка акустичної потужності (K_{WA})	дБ(А)	3
Значення вібрації ah:		
$(a_{h,Chet})$	м/с ²	16,3
$(a_{h,FD})$	м/с ²	17,2
Похибка (K)	м/с ²	1,5

SFMEH210 Рівень звукового тиску згідно з EN60745:		
Звуковий тиск (L_{pA})	дБ(А)	90,7
Похибка звукового тиску (K_{pA})	дБ(А)	3
Рівень звукової потужності (L_{WA})	дБ(А)	101,7
Похибка акустичної потужності (K_{WA})	дБ(А)	3
Значення вібрації ah:		
$(a_{h,Chet})$	м/с ²	17,6
$(a_{h,FD})$	м/с ²	17,4
Похибка (K)	м/с ²	1,5

Декларація про відповідність нормам ЄС ДИРЕКТИВА ДЛЯ МЕХАНІЧНОГО ОБЛАДНАННЯ



SFMEH200, SFMEH210 Перфоратор
Компанія Stanley Europe заявляє, що продукти, описані у

розділі «Технічні дані» відповідають вимогам:
2006/42/EC, EN 60745-1, EN 60745-2-6

Ці продукти також відповідають Директивам
2014/30/EU і 2011/65/EU. Для отримання додаткової інформації, будь ласка,
зверніться до компанії Stanley Europe за наведеною нижче адресою або

прочитайте інформацію на зворотному боці цього посібника.

Особа, яка підписалася нижче, несе відповідальність за
упорядкування файлу технічних характеристик та робить
цю заяву від компанії Stanley Europe.



A.P. Smith
Технічний директор
Stanley Fat Max Europe, Egide Walschaertsstraat14-18,
2800 Mechelen, Бельгія
27.06.2019

Гарантія

Компанія Stanley Europe впевнена в якості своєї продукції
та пропонує споживачам гарантію тривалістю 12 місяців
з дати

купівлі. Ця гарантія доповнює і жодним чином не обмежує
ваші законні права. Ця гарантія є чинною на території
країн-членів Європейського Союзу та в європейській зоні
вільної торгівлі.

Позов за гарантією повинен відповідати умовам компанії
Black&Decker, при цьому вам необхідно надати доказ
купівлі продавцю або спеціалісту офіційного сервісного
центру. Умови 1-річної гарантії компанії Stanley Europe та
місцезнаходження найближчого сервісного центру можна
дізнатися в інтернеті на сайті www.2helpU.com або зверну-
тися до місцевого представництва компанії Stanley Europe
за адресою, вказаною у цьому керівництві.

Будь ласка, відвідайте наш сайт www.stanley.eu/3, щоб
зареєструвати свій новий продукт Stanley Fat Max та
отримувати інформацію про нові продукти та спеціальні
пропозиції stanley.eu/3



060

Виробник:
"Stanley Black & Decker Deutschland
GmbH" Black-&-Decker Str.40, D-65510
Idstein, Німеччина

STANLEY
FATMAX

ГАРАНТІЙНИЙ ТАЛОН

3 РОКИ
ГАРАНТІЇ

- Вітаємо Вас з покупкою високоякісного виробу Stanley FATMAX і висловлюємо вдячність за Ваш вибір.
- При покупці виробу вимагайте перевірки його комплектності і справності у Вашій присутності, інструкцію з експлуатації та заповнений гарантійний талон українською мовою. В гарантійному талоні повинні бути внесені: модель, дата продажу, серійний номер, дата виробництва інструменту; назва, печатка і підпис торгової організації. За відсутності у Вас правильно заповненого гарантійного талону, а також при невідповідності зазначених у ньому даних ми будемо змушені відхилити Ваші претензії щодо якості даного виробу.
- Щоб уникнути непорозумінь, переконливо просимо Вас перед початком роботи з виробом уважно ознайомитися з інструкцією з його експлуатації. Правовою основою справжніх гарантійних умов є чинне Законодавство. Гарантійний термін на даний виріб складає 36 місяців і обчислюється з дня продажу. У разі усунення недоліків виробу, гарантійний строк продовжується на період його перебування в ремонті. Термін служби виробу становить 5 років з дня продажу.
- У разі виникнення будь-яких проблем у процесі експлуатації виробу рекомендуємо Вам звертатися тільки в уповноважені сервісні центри Stanley FATMAX, адреси та телефони яких Ви зможете знайти в гарантійному талоні, на сайті www.2helpU.com або дізнатися в магазині. Наші сервісні станції - це не тільки кваліфікований ремонт, але і широкий асортимент запчастин і аксесуарів.
- Виробник рекомендує проводити періодичну перевірку і технічне обслуговування виробу в уповноважених сервісних центрах.
- Наші гарантійні зобов'язання поширюються тільки на несправності, виявлені протягом гарантійного терміну і викликані дефектами виробництва та \ або матеріалів.
- Гарантійні умови не поширюються на несправності виробу, що виникли в результаті:
 - Недотримання користувачем приписів інструкції з експлуатації виробу, застосування виробу не за призначенням, неправильного зберігання, використання приладдя, витратних матеріалів і запчастин, що не передбачені виробником.
 - Механічного пошкодження (відколю, тріщини і руйнування) внутрішніх і зовнішніх деталей виробу, основних і допоміжних рукояток, мережевого кабелю, що викликані зовнішнім ударним або будь-яким іншим впливом
 - Потраплення у вентиляційні отвори та проникнення всередину виробу сторонніх предметів, матеріалів або речовин, що не є відходами, які супроводжують застосування виробу за призначенням, такими як: стружка, тирса, пісок, та ін.
 - Впливу на виріб несприятливих атмосферних і інших зовнішніх факторів, таких як дощ, сніг, підвищена вологість, нагрівання, агресивні середовища, невідповідність параметрів електромережі, що зазначені на інструменті.
 - Стихійного лиха. Пошкодження або втрати виробу, що пов'язані з непередбаченими лихами, стихійними явищами, у тому числі внаслідок дії непереборної сили (пожежа, блискавка, потоп і інші природні явища), а також внаслідок перепадів напруги в електромережі та іншими причинами, які знаходяться поза контролем виробника.
- Гарантійні умови не поширюються:
 - На інструменти, що піддавались розкриттю, ремонту або модифікації поза уповноваженим сервісним центром.
 - На деталі, вузли та матеріали, що мають сліди природного зносу, такі як: приводні реміні і колеса, вугільні щітки, мастило, підшипники, зубчасті зчеплення редукторів, гумові ущільнення, сальники, направляючі ролики, муфти, вимикачі, бойки, штовхачі, стволи тощо.
 - На змінні частини: патрони, цанги, затискні гайки і фланці, фільтри, ножі, шліфувальні підшови, ланцюги, зірочки, пильні шини, захисні козухи, пилки, абразиви, пильні і абразивні диски, фрези, свердла, бури тощо
 - На несправності, що виникли в результаті перевантаження інструменту (як механічного, так і електричного), що спричинили вихід з ладу одночасно двох і більше деталей і вузлів, таких як: ротора і статора, обох обмоток статора, веденої і ведучої шестерні редуктора або інших вузлів і деталей. До безумовних ознак перевантаження виробу відносяться, крім інших: поява кольорів мільниці, деформація або оплавлення деталей і вузлів виробу, потемніння або обуглювання ізоляції проводів електроприводу під впливом високої температури.

Товар отриманий в справному стані, без видимих ушкоджень, в повній комплектації, перевірений у моїй присутності, претензій щодо якості товару не маю. З умовами гарантійного обслуговування ознайомлений і згоден.

П. І. Б. та підпис власника _____

Шановні клієнти, наша мережа авторизованих сервісних центрів постійно розширюється. Актуальну інформацію про обслуговування в місті, що цікавить вас, ви можете дізнатися на сайті

www.2helpU.com

Редакція ВК/12-12-2018

Інформація про інструмент

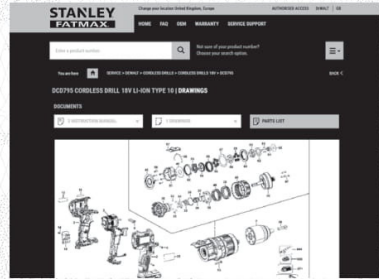
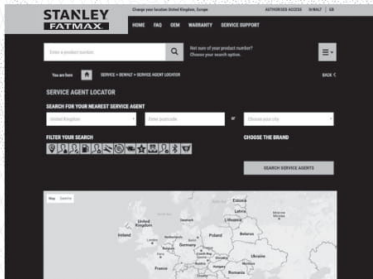
Найменування інструменту	
Модель	
Найменування продавця	
Дата продажу	

Серійний номер/Дата виробництва

Інструмент	
Зарядний пристрій	
Акумулятор 1	
Акумулятор 2	

М.П.
ПродавцяНа сайті www.2helpU.com доступні наступні функції:

- Список авторизованих сервісних центрів
- Зручний пошук найближчого сервісного центру
- Керівництво з експлуатації
- Технічні характеристики
- Список деталей і запасних частин
- Схема складання інструменту



Також дану інформацію ви можете отримати,
зателефонувавши за номером:
0 (800) 211 521 в Україні

ВІДІТКА ПРО ПРОВЕДЕННЯ СЕРВІСНОГО ОБСЛУГОВУВАННЯ

№1	№2	№3	№4
№ замовлення	№ замовлення	№ замовлення	№ замовлення
Дата прийому	Дата прийому	Дата прийому	Дата прийому
Дата ремонту	Дата ремонту	Дата ремонту	Дата ремонту
Печатка і підпис сервісного центру	Печатка і підпис сервісного центру	Печатка і підпис сервісного центру	Печатка і підпис сервісного центру

