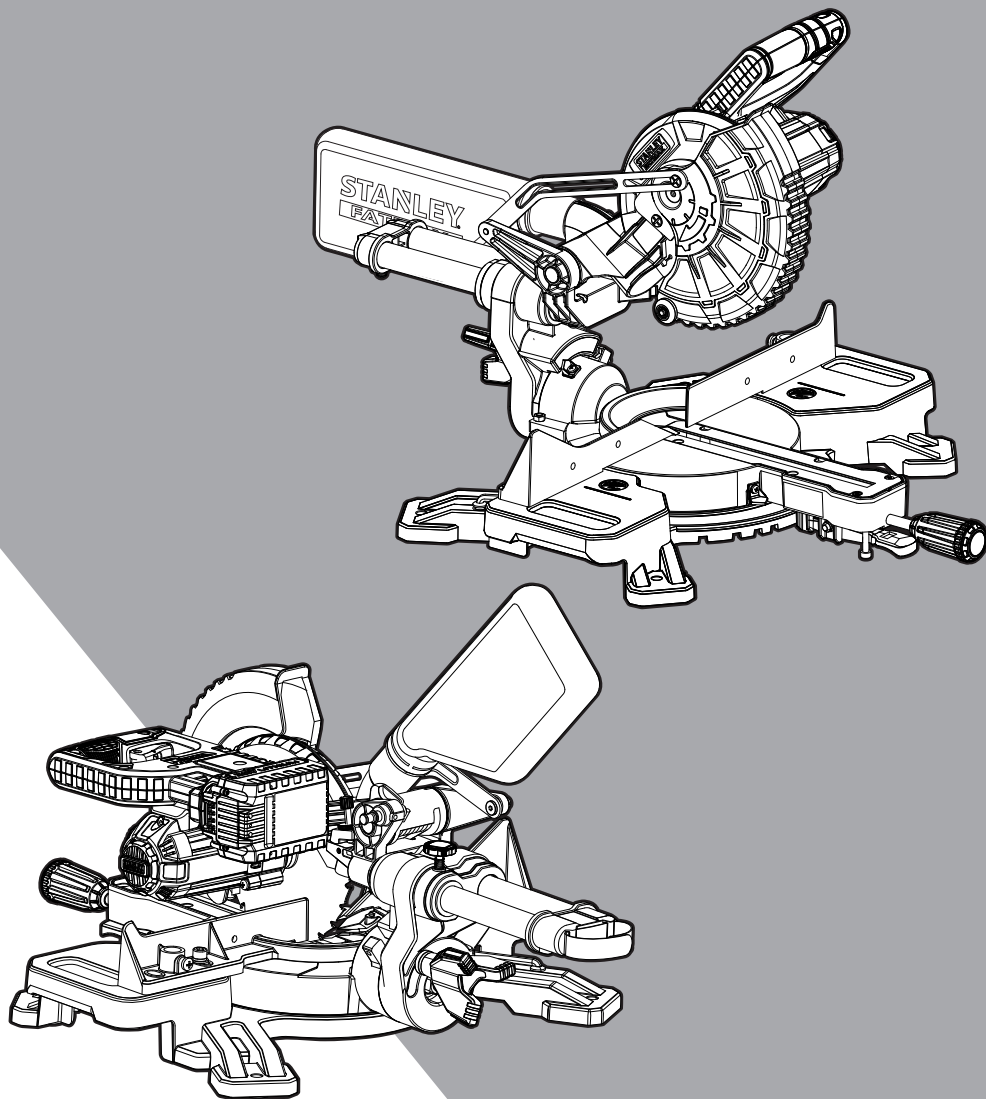


STANLEY[®]

FATMAX[®]



www.stanley.eu

FMCS701

EN

DE

FR

IT

NL

ES

PT

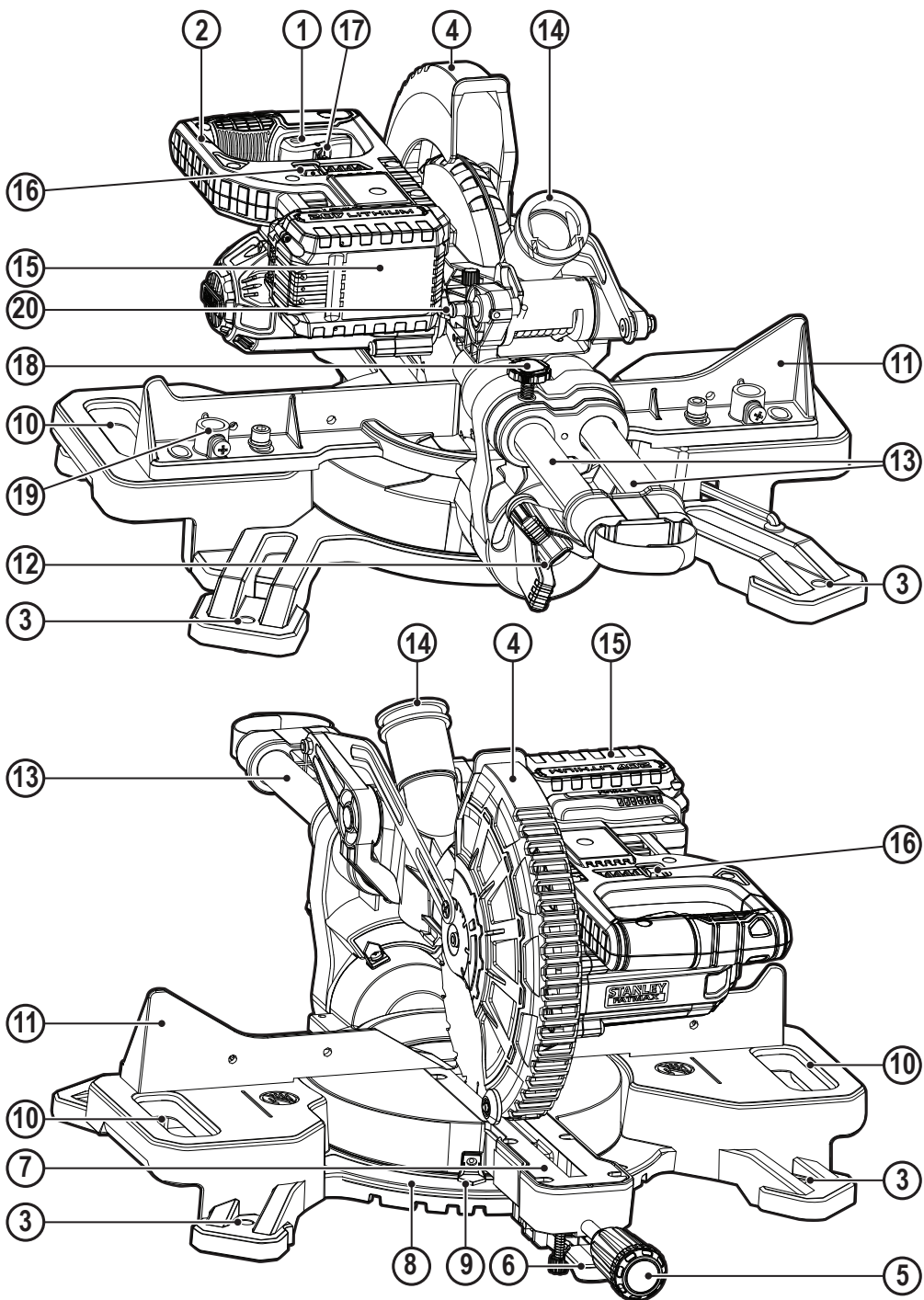
SV

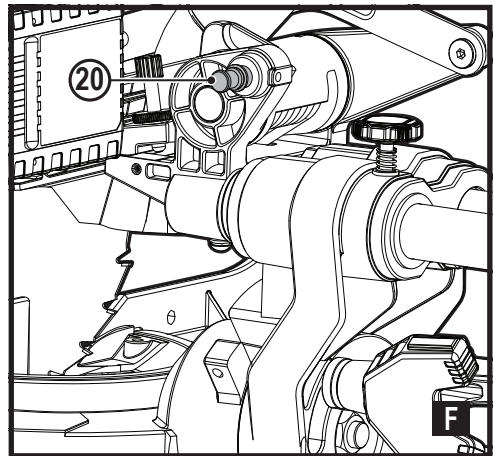
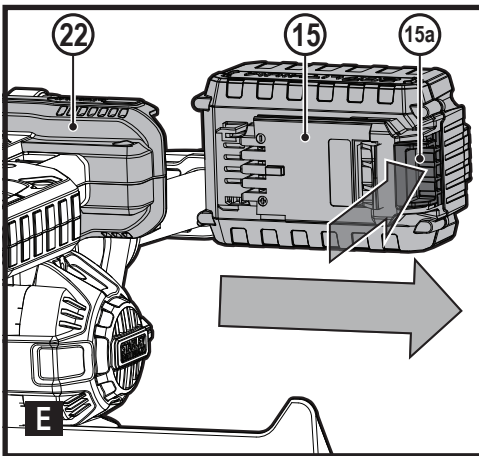
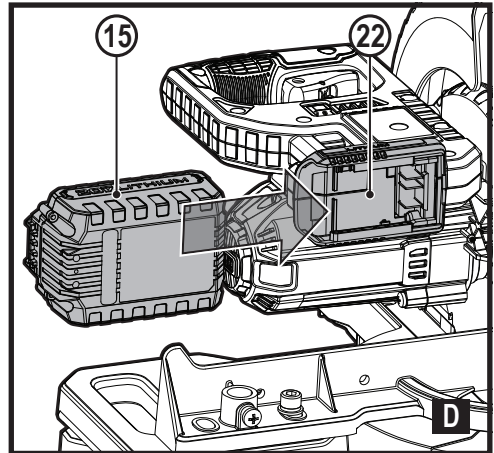
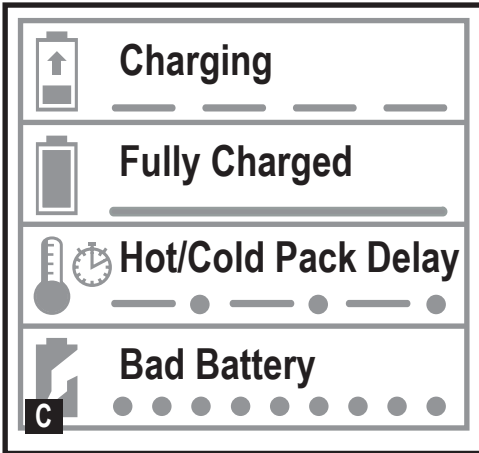
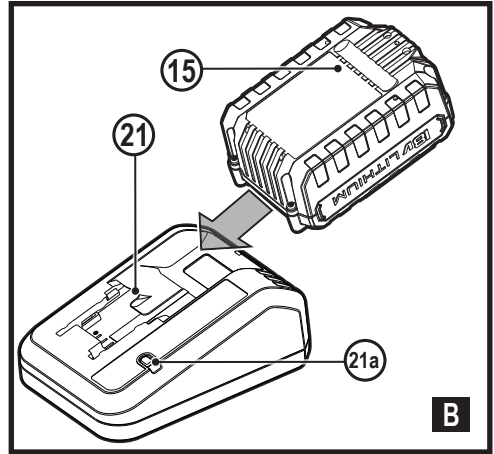
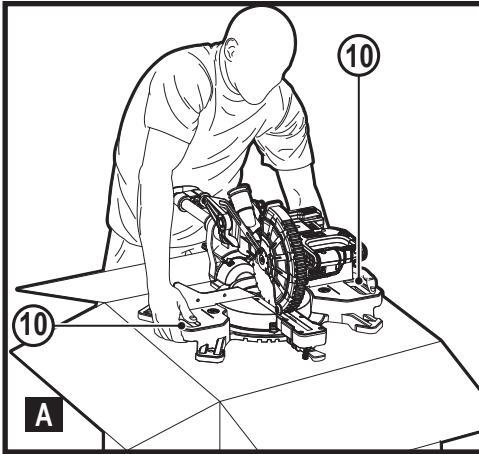
NO

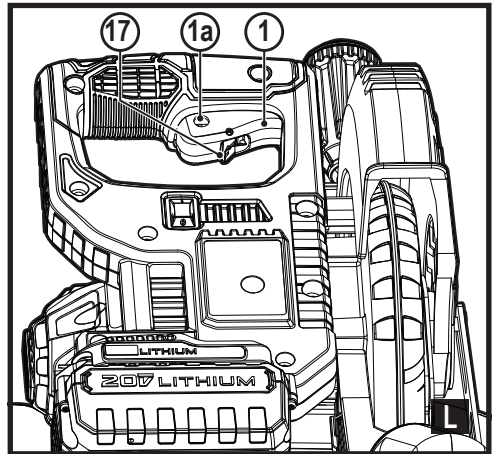
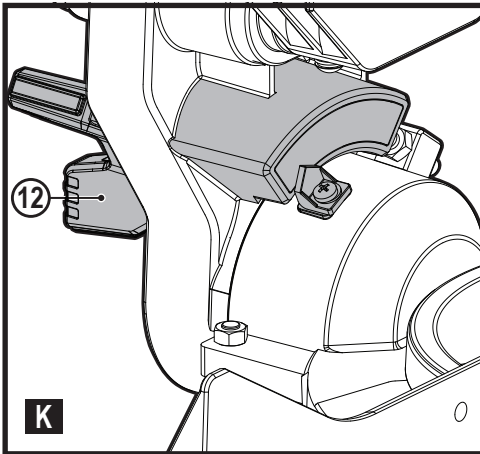
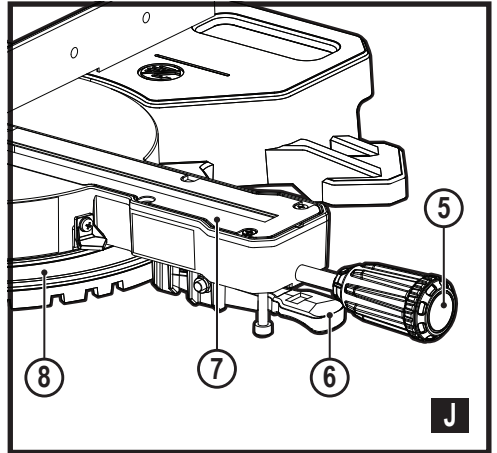
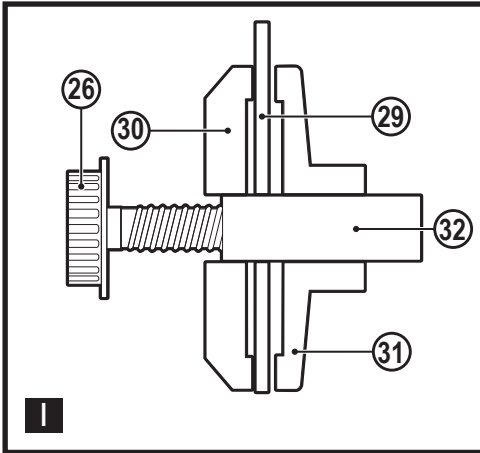
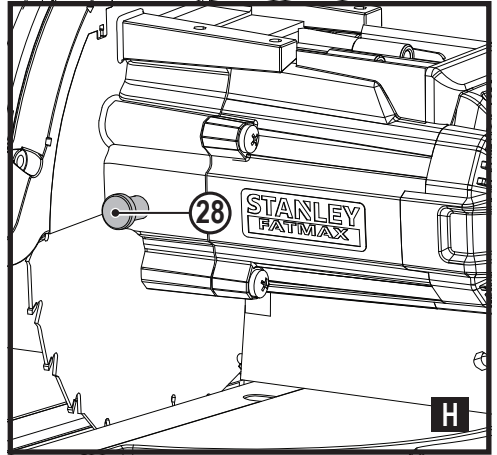
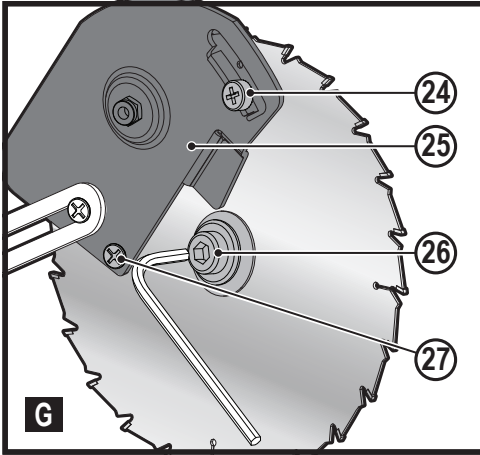
DK

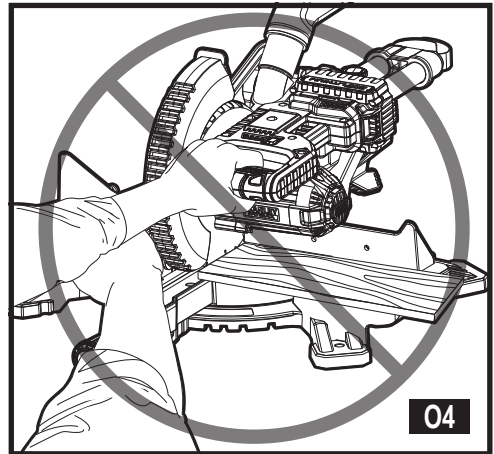
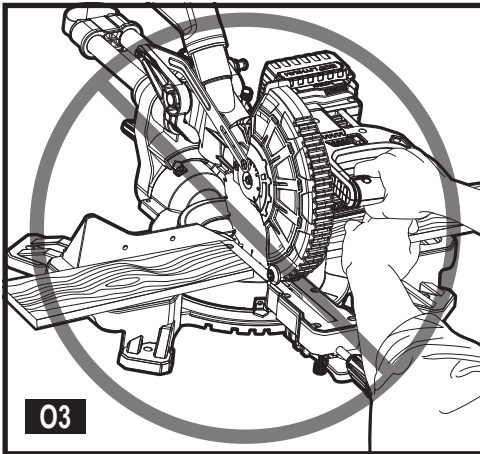
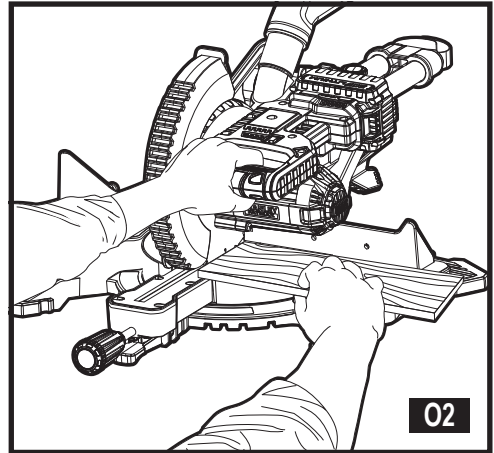
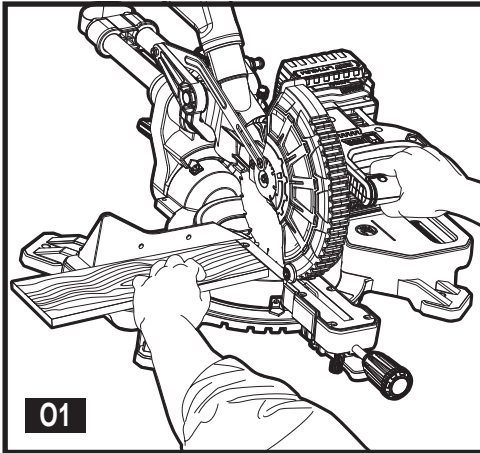
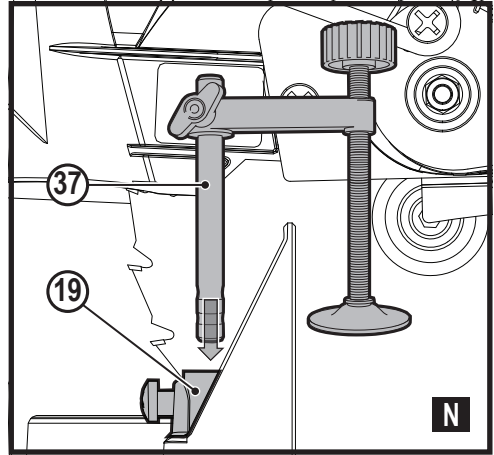
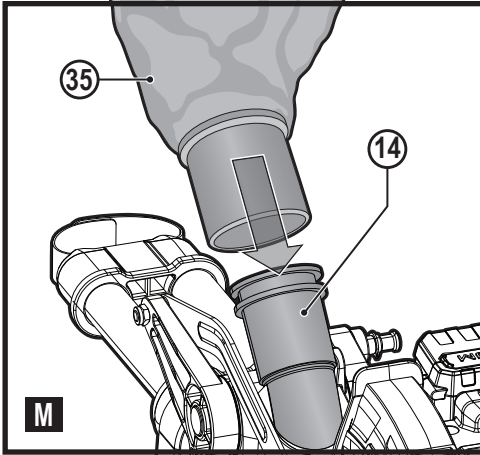
FI

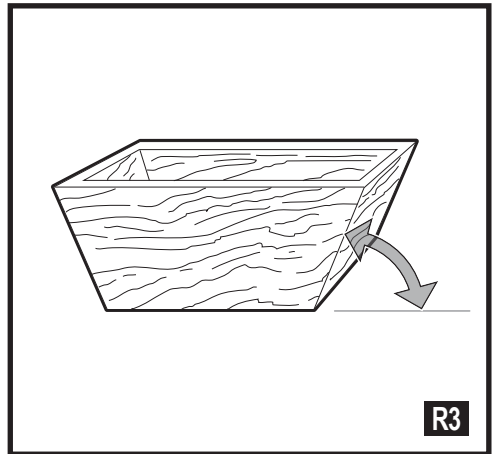
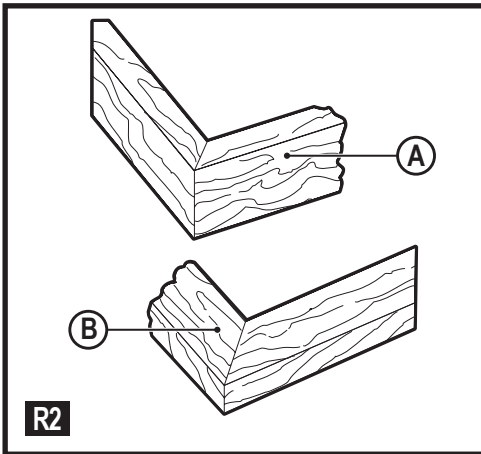
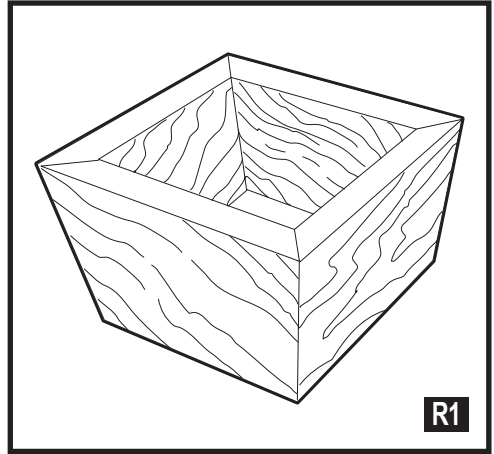
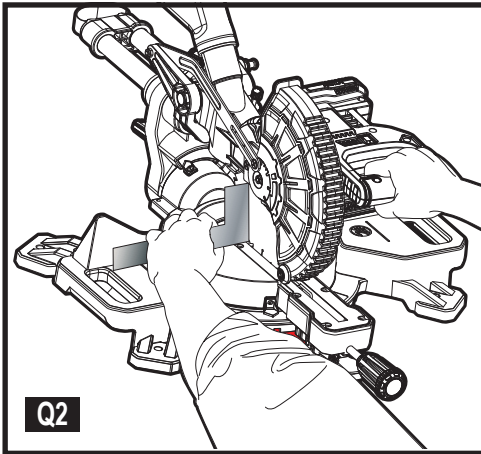
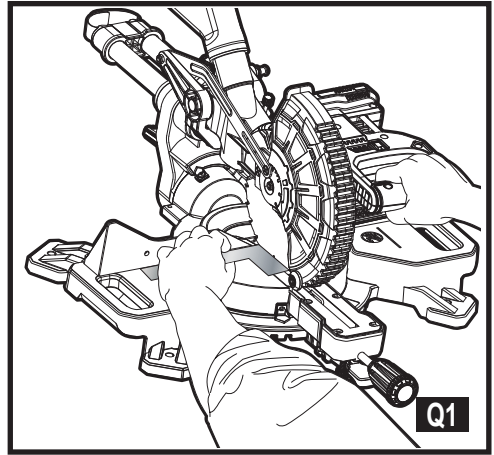
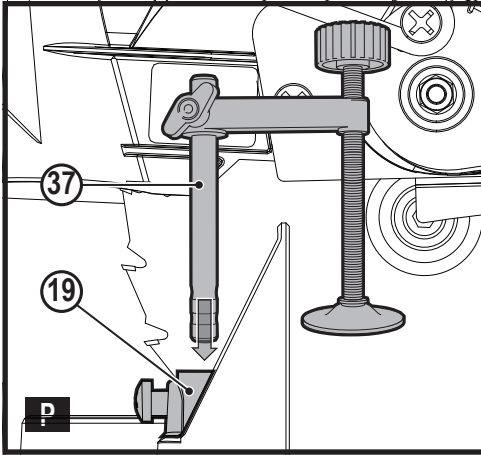
EL

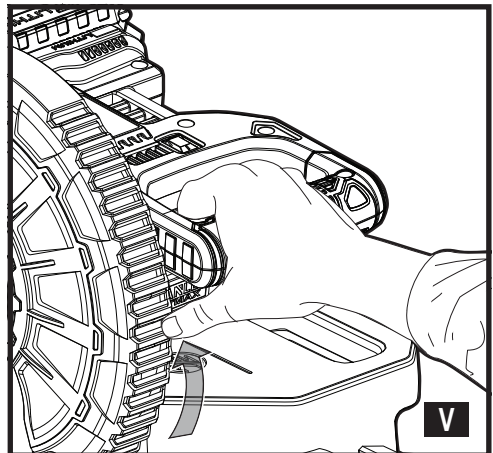
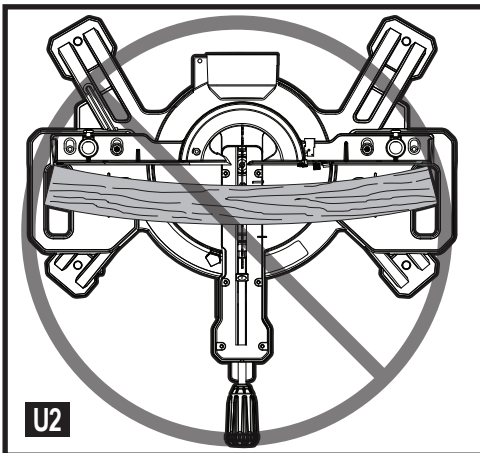
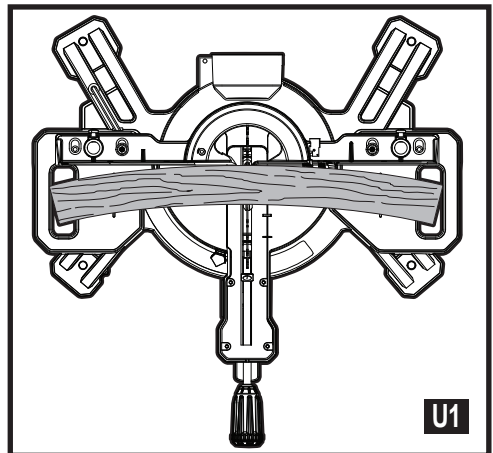
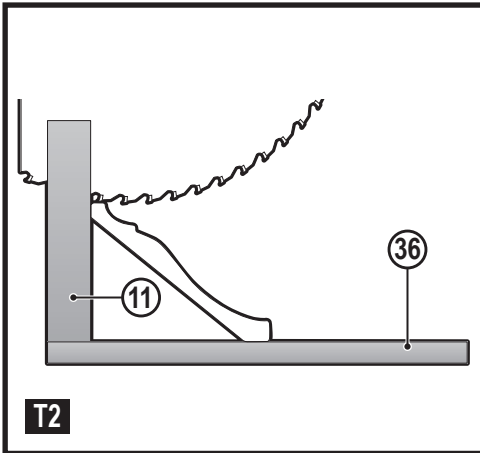
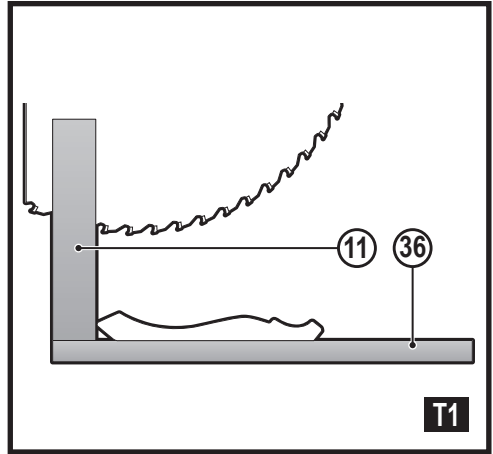
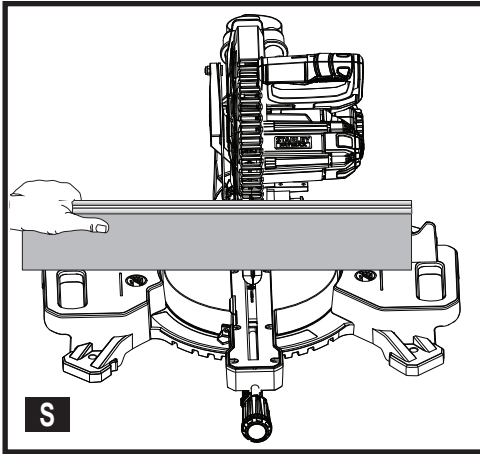


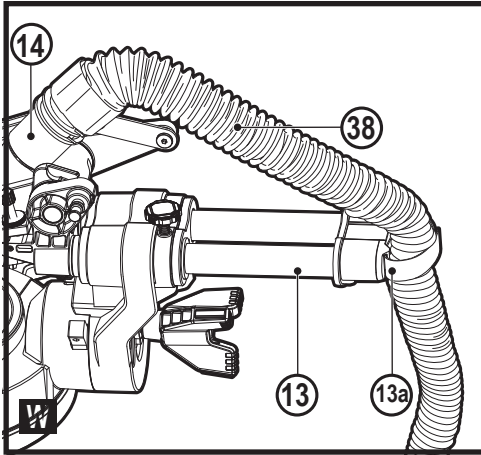












- b. **Avoid body contact with earthed or grounded surfaces such as pipes, radiators, ranges and refrigerators.** There is an increased risk of electric shock if your body is earthed or grounded.
- c. **Do not expose power tools to rain or wet conditions.** Water entering a power tool will increase the risk of electric shock.
- d. **Do not abuse the cord. Never use the cord for carrying, pulling or unplugging the power tool. Keep cord away from heat, oil, sharp edges or moving parts.** Damaged or entangled cords increase the risk of electric shock.
- e. **When operating a power tool outdoors, use an extension cord suitable for outdoor use.** Use of a cord suitable for outdoor use reduces the risk of electric shock.
- f. **If operating a power tool in a damp location is unavoidable, use a residual current device (RCD) protected supply.** Use of an RCD reduces the risk of electric shock.

Intended use

Your Stanley Fat Max FMCS701 sliding compound mitre saw has been designed for sawing wood, plastic and nonferrous metal only. This tool is intended for professional and private, non professional users.

Safety instructions

General power tool safety warnings



Warning! Read all safety warnings, instructions, illustrations and specifications provided with power tool. Failure to follow the warnings and instructions listed below may result in electric shock, fire and/or serious injury.

Save all warnings and instructions for future reference.

The term "power tool" in all of the warnings listed below refers to your mains operated (corded) power tool or battery operated (cordless) power tool.

1. Work area safety

- a. **Keep work area clean and well lit.** Cluttered or dark areas invite accidents.
- b. **Do not operate power tools in explosive atmospheres, such as in the presence of flammable liquids, gases or dust.** Power tools create sparks which may ignite the dust or fumes.
- c. **Keep children and bystanders away while operating a power tool.** Distractions can cause you to lose control.

2. Electrical safety

- a. **Power tool plugs must match the outlet. Never modify the plug in any way. Do not use any adapter plugs with earthed (grounded) power tools.** Unmodified plugs and matching outlets will reduce risk of electric shock.

3. Personal safety

- a. **Stay alert, watch what you are doing and use common sense when operating a power tool. Do not use a power tool while you are tired or under the influence of drugs, alcohol or medication.** A moment of inattention while operating power tools may result in serious personal injury.
- b. **Use personal protective equipment. Always wear eye protection.** Protective equipment such as dust mask, non-skid safety shoes, hard hat, or hearing protection used for appropriate conditions will reduce personal injuries.
- c. **Prevent unintentional starting. Ensure the switch is in the off-position before connecting to power source and/or battery pack, picking up or carrying the tool.** Carrying power tools with your finger on the switch or energising power tools that have the switch on invites accidents.
- d. **Remove any adjusting key or wrench before turning the power tool on.** A wrench or a key left attached to a rotating part of the power tool may result in personal injury.
- e. **Do not overreach. Keep proper footing and balance at all times.** This enables better control of the power tool in unexpected situations.
- f. **Dress properly. Do not wear loose clothing or jewellery. Keep your hair, clothing and gloves away from moving parts.** Loose clothes, jewellery or long hair can be caught in moving parts.
- g. **If devices are provided for the connection of dust extraction and collection facilities, ensure these are connected and properly used.** Use of dust collection can reduce dust-related hazards.

h. Do not let familiarity gained from frequent use of tools allow you to become complacent and ignore tool safety principles. A careless action can cause severe injury within a fraction of a second.

4. Power tool use and care

- a. **Do not force the power tool. Use the correct power tool for your application.** The correct power tool will do the job better and safer at the rate for which it was designed.
- b. **Do not use the power tool if the switch does not turn it on and off.** Any power tool that cannot be controlled with the switch is dangerous and must be repaired.
- c. **Disconnect the plug from the power source and/or the battery pack from the power tool before making any adjustments, changing accessories, or storing power tools.** Such preventive safety measures reduce the risk of starting the power tool accidentally.
- d. **Store idle power tools out of the reach of children and do not allow persons unfamiliar with the power tool or these instructions to operate the power tool.** Power tools are dangerous in the hands of untrained users.
- e. **Maintain power tools and accessories. Check for misalignment or binding of moving parts, breakage of parts and any other condition that may affect the power tools operation. If damaged, have the power tool repaired before use.** Many accidents are caused by poorly maintained power tools.
- f. **Keep cutting tools sharp and clean.** Properly maintained cutting tools with sharp cutting edges are less likely to bind and are easier to control.
- g. **Use the power tool, accessories and tool bits etc. in accordance with these instructions, taking into account the working conditions and the work to be performed.** Use of the power tool for operations different from those intended could result in a hazardous situation.
- h. **Keep handles and grasping surfaces dry, clean and free from oil and grease.** Slippery handles and greasy surfaces do not allow for safe handling and control of the tool in unexpected situations.

5. Battery tool use and care

- a. **Recharge only with the charger specified by the manufacturer.** A charger that is suitable for one type of battery pack may create a risk of fire when used with another battery pack.
- b. **Use power tools only with specifically designated battery packs.** Use of any other battery packs may create a risk of injury and fire.
- c. **When battery pack is not in use, keep it away from other metal objects, like paper clips, coins, keys, nails, screws, or other small metal objects, that can make a connection from one terminal to another.**

Shorting the battery terminals together may cause burns or a fire.

- d. **Under abusive conditions, liquid may be ejected from the battery; avoid contact. If contact accidentally occurs, flush with water. If liquid contacts eyes, additionally seek medical help.** Liquid ejected from the battery may cause irritation or burns.
 - e. **Do not use a battery pack or tool that is damaged or modified.** Damaged or modified batteries may exhibit unpredictable behaviour resulting in fire, explosion or risk of injury.
 - f. **Do not expose a battery pack or tool to fire or excessive temperature.** Exposure to fire or temperature above 130 °C may cause explosion.
 - g. **Follow all charging instructions and do not charge the battery pack or tool outside the temperature range specified in the instructions.** Charging improperly or at temperatures outside the specified range may damage the battery and increase the risk of fire.
- #### 6. Service
- a. **Have your power tool serviced by a qualified repair person using only identical replacement parts.** This will ensure that the safety of the power tool is maintained.
 - b. **Never service damaged battery packs.** Service of battery packs should only be performed by the manufacturer or authorised service providers.

Safety instructions for mitre saws

- ◆ **Mitre saws are intended to cut wood or wood-like products, they cannot be used with abrasive cut-off wheels for cutting ferrous material such as bars, rods, studs, etc.** Abrasive dust causes moving parts such as the lower guard to jam. Sparks from abrasive cutting will burn the lower guard, the kerf insert and other plastic parts.
- ◆ **Use clamps to support the workpiece whenever possible. If supporting the workpiece by hand, you must always keep your hand at least 100 mm from either side of the saw blade. Do not use this saw to cut pieces that are too small to be securely clamped or held by hand.** If your hand is placed too close to the saw blade, there is an increased risk of injury from blade contact.
- ◆ **The workpiece must be stationary and clamped or held against both the fence and the table. Do not feed the workpiece into the blade or cut "freehand" in any way.** Unrestrained or moving workpieces could be thrown at high speeds, causing injury.
- ◆ **Push the saw through the workpiece. Do not pull the saw through the workpiece. To make a cut, raise the saw head and pull it out over the workpiece without cutting, start the motor, press the saw head down and**

push the saw through the workpiece. Cutting on the pull stroke is likely to cause the saw blade to climb on top of the workpiece and violently throw the blade assembly towards the operator.

- ◆ **Never cross your hand over the intended line of cutting either in front or behind the saw blade.** Supporting the workpiece "cross handed" i.e. holding the workpiece to the right of the saw blade with your left hand or vice versa is very dangerous.
- ◆ **Do not reach behind the fence with either hand closer than 100 mm from either side of the saw blade, to remove wood scraps, or for any other reason while the blade is spinning.** The proximity of the spinning saw blade to your hand may not be obvious and you may be seriously injured.
- ◆ **Inspect your workpiece before cutting. If the workpiece is bowed or warped, clamp it with the outside bowed face toward the fence. Always make certain that there is no gap between the workpiece, fence and table along the line of the cut.** Bent or warped workpieces can twist or shift and may cause binding on the spinning saw blade while cutting. There should be no nails or foreign objects in the workpiece.
- ◆ **Do not use the saw until the table is clear of all tools, wood scraps, etc., except for the workpiece.** Small debris or loose pieces of wood or other objects that contact the revolving blade can be thrown with high speed.
- ◆ **Cut only one workpiece at a time.** Stacked multiple workpieces cannot be adequately clamped or braced and may bind on the blade or shift during cutting.
- ◆ **Ensure the mitre saw is mounted or placed on a level, firm work surface before use.** A level and firm work surface reduces the risk of the mitre saw becoming unstable.
- ◆ **Plan your work. Every time you change the bevel or mitre angle setting, make sure the adjustable fence is set correctly to support the workpiece and will not interfere with the blade or the guarding system.** Without turning the tool "ON" and with no workpiece on the table, move the saw blade through a complete simulated cut to assure there will be no interference or danger of cutting the fence.
- ◆ **Provide adequate support such as table extensions, saw horses, etc. for a workpiece that is wider or longer than the table top.** Workpieces longer or wider than the mitre saw table can tip if not securely supported. If the cut-off piece or workpiece tips, it can lift the lower guard or be thrown by the spinning blade.
- ◆ **Do not use another person as a substitute for a table extension or as additional support.** Unstable support for the workpiece can cause the blade to bind or the workpiece to shift during the cutting operation pulling you and the helper into the spinning blade.

- ◆ **The cut-off piece must not be jammed or pressed by any means against the spinning saw blade.** If confined, i.e. using length stops, the cut-off piece could get wedged against the blade and thrown violently.
- ◆ **Always use a clamp or a fixture designed to properly support round material such as rods or tubing.** Rods have a tendency to roll while being cut, causing the blade to "bite" and pull the work with your hand into the blade.
- ◆ **Let the blade reach full speed before contacting the workpiece.** This will reduce the risk of the workpiece being thrown.
- ◆ **If the workpiece or blade becomes jammed, turn the mitre saw off. Wait for all moving parts to stop and disconnect the plug from the power source and/or remove the battery pack. Then work to free the jammed material.** Continued sawing with a jammed workpiece could cause loss of control or damage to the mitre saw.
- ◆ **After finishing the cut, release the switch, hold the saw head down and wait for the blade to stop before removing the cut-off piece.** Reaching with your hand near the coasting blade is dangerous.

Additional safety instructions for mitre saws

- ◆ The intended use is described in this instruction manual. The use of any accessory or attachment or performance of any operation with this tool other than those recommended in this instruction manual may present a risk of personal injury and/or damage to property.
- ◆ Do not use cracked/bent/damaged/deformed saw blades.
- ◆ Replace the kerf plate when worn.
- ◆ Do not use blades of larger or smaller diameter than recommended. For the proper blade rating refer to the technical data. Use only the blades specified in this manual, complying with EN 847-1.
- ◆ Do not use High Speed Steel (HSS) saw blades.



Warning! Contact with or inhalation of dusts arising from sawing applications may endanger the health of the operator and possible bystanders. Wear a dust mask specifically designed for protection against dust and fumes and ensure that persons within or entering the work area are also protected.

- ◆ Do not work with material containing asbestos. Asbestos is considered to be carcinogenic.
- ◆ Wear gloves when handling saw blades and rough material (saw blades should be carried in a holder when practicable).
- ◆ Wear hearing protection to reduce the risk of induced hearing loss.
- ◆ Consider using specially designed noise-reduction blades.
- ◆ Wear eye protection to reduce the risk of personal injury.
- ◆ Use the dust bag provided when sawing wood.

- ◆ **Hold power tool by insulated gripping surfaces when performing an operation where the cutting accessory may contact hidden wiring or its own cord.** Cutting accessory contacting a "live" wire may make exposed metal parts of the power tool "live" and could give the operator an electric shock
- ◆ Select the correct blade for the material to be cut.
- ◆ Do not operate the machine without the guard in position. Do not operate the machine if the guard does not function or is not maintained properly.
- ◆ Ensure that the arm is securely fixed when performing bevel cuts.
- ◆ Before each cut ensure that the machine is stable.
- ◆ Keep handles dry, clean and free from oil and grease.
- ◆ Keep the surrounding area of the machine well maintained and free of loose materials, e.g. chips and off-cuts.
- ◆ Ensure the machine and the work area are provided with adequate general or localised lighting.
- ◆ Do not allow untrained people to operate this machine.
- ◆ Ensure that the blade is mounted correctly before use. Make sure that the blade rotates in the correct direction. Keep the blade sharp. Follow instruction for lubricating and changing accessories.
- ◆ Ensure the speed marked on the saw blade is at least equal to the speed marked on the saw.
- ◆ Ensure that any spacers and spindle rings used are suitable for the purpose as stated by Stanley Fat Max.
- ◆ Repairs to the cut line guidance system should be carried out by authorised repair agents or Stanley Fat Max service staff.
- ◆ Remove the battery from the machine before carrying out any maintenance or when changing the blade.
- ◆ Never perform any cleaning, maintenance, removal of any off-cuts or other parts of the work piece from the cutting area when the machine is running and the saw head is not in the rest position.
- ◆ When possible, always mount the machine to a bench.
- ◆ Make sure all locking knobs and handles are tight before starting any operation.
- ◆ Never use your saw without the table insert.
- ◆ Never attempt to stop the machine in motion rapidly by jamming a tool or other means against the blade; serious accidents can be caused unintentionally in this way.
- ◆ Before using or fitting any accessory consult the instruction manual. The improper use of an accessory can cause damage.
- ◆ Raise the blade from the table insert in the work piece prior to releasing the on/of switch.
- ◆ Do not wedge anything against the fan to hold the motor shaft.
- ◆ The blade guard on your saw will automatically raise when the arm is brought down; it will lower over the blade when the arm is raised. The guard can be raised by hand when

installing or removing saw blades or for inspection of the saw. Never raise the blade guard manually unless the machine is switched off.

- ◆ Check periodically that the motor air slots are clean and free of chips.
- ◆ Never make the warning signs on the power tool unrecognisable.
- ◆ Never stand on the power tool. Serious injuries could occur when the power tool tips over or when coming in contact with the saw blade.
- ◆ Do not take hold of the saw blade after working before it has cooled. The saw blade becomes very hot while working.
- ◆ To avoid injury from materials being thrown, remove the battery from saw to avoid accidental starting, and then remove small materials.
- ◆ Before use and after any maintenance the blade guard must be checked to ensure proper function. This test must be performed with the saw switched off and the battery removed. The arm must be raised and lowered to ensure the guard covers the blade and the blade does not contact the guard. If the guard fails to operate correctly, have your power tool serviced by a qualified repair agent. Call Stanley Fat Max customer services for your nearest service agent.
- ◆ **This mitre saw has been designed for sawing wood, plastic and nonferrous metal only.** Do not use the saw to cut other materials than those recommended by the manufacturer.
- ◆ Do not take hold of the saw blade after working before it has cooled. The saw blade becomes very hot while working.



Warning! Cutting plastics, sap coated wood, and other materials may cause melted material to accumulate on the blade tips and the body of the saw blade, increasing the risk of the blade overheating and binding while cutting.

Safety of others

- ◆ This charger can be used by children aged from 8 years and above and persons with reduced physical, sensory or mental capabilities or lack of experience and knowledge if they have been given supervision or instruction concerning use of the appliance in a safe way and understand the hazards involved.
- ◆ Children shall not play with the appliance. Cleaning and user maintenance shall not be made by children without supervision.

Residual risks

The following risks are inherent to the use of saws:

Even with the application of the relevant safety regulations

and the implementation of safety devices, certain residual risks can not be avoided. These include:

- ◆ Injuries caused by touching any rotating/moving parts.
- ◆ Impairment of hearing.
- ◆ Risk of accidents caused by the uncovered parts of the rotating saw blade.
- ◆ Risk of injury when changing any parts, blades or accessories.
- ◆ Risk of squeezing fingers when opening the guards.
- ◆ Health hazards caused by breathing dust developed when sawing wood, especially oak, beech and MDF.
- ◆ Injuries caused by prolonged use of a tool. When using any tool for prolonged periods ensure you take regular breaks.

Noise

The declared noise emission values have been measured in accordance with a standard test method and may be used for comparing one tool with another.

The declared noise emission values may also be used in a preliminary assessment of exposure.

Warning! The noise emissions during actual use of the power tool can differ from the declared values depending on the ways in which the tool is used especially what kind of workpiece is processed.

Warning! Always wear proper personal hearing protection. Under some conditions and duration of use, noise from this product may contribute to hearing loss. Be aware of the following factors influencing exposure to noise:

- ◆ Use saw blades designed to reduce the emitted noise,
- ◆ Use only well sharpened saw blades, and
- ◆ Use specifically designed noise-reduction saw blades.

Labels on tool

The following pictograms along with the date code are shown on the tool:



Warning! To reduce the risk of injury, the user must read the instruction manual.



Wear safety glasses or goggles



Wear ear protection



Wear a dust mask



This product is not to be used by children under 16



Keep hands away from blade



No Hands Zone - Keep fingers and arms away from rotational saw blades



Wear gloves when handling saw blades



Do not stare at operating lamp

Additional safety instructions for batteries and chargers

Warning! The appliance is only to be used with the power supply unit provided with the appliance.

Note: The tool's operating temperature range is recommended at 4 °C to 40 °C.

Batteries

- ◆ Never attempt to open for any reason.
- ◆ Do not expose the battery to water.
- ◆ Do not store in locations where the temperature may exceed 40 °C.
- ◆ Charge only at ambient temperatures between 10 °C and 40 °C.
- ◆ Charge only using the charger provided with the tool.
- ◆ When disposing of batteries, follow the instructions given in the section "Protecting the environment".



Do not attempt to charge damaged batteries.

Chargers

- ◆ Use your Stanley FatMax charger only to charge the battery in the tool with which it was supplied. Other batteries could burst, causing personal injury and damage.
- ◆ Never attempt to charge non-rechargeable batteries.
- ◆ Have defective cords replaced immediately.
- ◆ Do not expose the charger to water.
- ◆ Do not open the charger.
- ◆ Do not probe the charger.



The charger is intended for indoor use only.



Read the instruction manual before use.

Electrical safety



Your charger is double insulated; therefore no earth wire is required. Always check that the mains voltage corresponds to the voltage on the rating plate. Never attempt to replace the charger unit with a regular mains plug.

- ◆ If the supply cord is damaged, it must be replaced by the manufacturer or an authorised Stanley FatMax Service Centre in order to avoid a hazard.

Features

This tool includes some or all of the following features.

1. Trigger switch
2. Operating handle
3. Mounting holes
4. Lower Guard
5. Mitre locking knob
6. Mitre latch button
7. Kerf plate
8. Mitre scale
9. Mitre scale indicator
10. Carry grips
11. Fence
12. Bevel lock knob
13. Rails
- 13a. Velcro strap
14. Dust port
15. Battery pack
16. Work light switch
17. Lock off lever
18. Rail lock screw
19. Clamp mounting hole
20. Lock down pin

Assembly (Fig. A)

Your mitre saw is part assembled in the carton.

- ◆ Open the box and lift the saw out by using the carry grips (10) in the base of the saw (Fig. A).
- ◆ Place the saw on a smooth, flat surface such as a workbench or strong table.
- ◆ Examine Assembly diagram on page 2 of this manual to become familiar with the saw and its various parts. The section on adjustments will refer to these terms and you must know what and where the parts are.
- ◆ The mitre locking knob (5) is not assembled for shipping. Remove the mitre locking knob (5) from the packaging and screw onto the saw, see figure G and J for position.
- ◆ Your saw has a built-in dust port (14) that allows either the supplied, but not assembled, dust bag (35) or shop vacuum system to be connected (Fig. N).

Kerf plate (Fig. J)

The kerf plate (7) is mounted to the table by 6 screws. The kerf plate (7) height is not adjustable.

Note: If the kerf plate (7) is worn, damaged or needs to be replaced, repairs should be carried out by authorised repair agents or Stanley Fat Max service staff.

Lock down pin (Fig. F)

Warning! The lock down pin should be used ONLY when carrying or storing the saw. NEVER use the lock down pin for any cutting operation.

Note: To lift, carry and support the mitre saw during transport use the two carrying handles (10) located on both sides of the mitre saw base (Fig. A).

To lock the saw head in the down position, push the saw head down, push the lock down pin (20) in and release the saw head. This will hold the saw head safely down for transporting the saw from place to place. To release, press the saw head down and pull the pin out.

Warning! Always be sure that the tool is switched off and the battery is removed from the tool before adjusting or checking the tools function.

Charging a battery (fig. B)

Stanley FatMax chargers are designed to charge Stanley FatMax battery packs.

- ◆ Plug the charger (21) into an appropriate outlet before inserting a battery pack (15).
- ◆ Insert the battery pack (15) into the charger, making sure the battery pack is fully seated in the battery slots (Figure B).



The LED (21a) will flash indicating that the battery is being charged.



The completion of charge is indicated by the LED remaining on continuously. The pack is fully charged and may be used at this time or left in the charger.

- ◆ Recharge discharged batteries as soon as possible after use or battery life may be greatly diminished.
- ◆ For longest battery life, do not discharge batteries fully. It is recommended that the batteries be recharged after each use.

Charger diagnostics (fig. C)

This charger is designed to detect certain problems that can arise with the battery packs or the power source. Problems are indicated by one LED flashing in different patterns.

Bad battery



The charger can detect a weak or damaged battery. The LED flashes in the pattern indicated on the label. If you see this bad battery blink pattern, do not continue to charge the battery. Return it to a service centre or a collection site for recycling.

Hot/cold pack delay



When the charger detects a battery that is excessively hot or excessively cold, it automatically starts a Hot/Cold Pack Delay, suspending charging until the battery has normalized. After this happens, the charger automatically switches to the Pack

Charging mode. This feature ensures maximum battery life. The light flashes in the pattern indicated on the label.

Leaving the battery in the charger

The charger and battery pack can be left connected with the LED glowing indefinitely. The charger will keep the battery pack fresh and fully charged.

This charger features an automatic tune-up mode which equals or balances the individual cells in the battery pack to allow it to function at peak capacity.

Battery packs should be tuned up weekly or whenever the battery no longer delivers the same amount of work. To use the automatic tune-up mode, place the battery pack in the charger and leave it for at least 8 hours.

Important charging notes

- ◆ Longest life and best performance can be obtained if the battery pack is charged when the air temperature is between 18 °C – 24 °C. DO NOT charge the battery pack in an air temperature below +4.5 °C, or above +40 °C. This is important and will prevent serious damage to the battery pack.
- ◆ The charger and battery pack may become warm to the touch while charging. This is a normal condition, and does not indicate a problem.
- ◆ To facilitate the cooling of the battery pack after use, avoid placing the charger or battery pack in a warm environment such as in a metal shed or an un-insulated trailer.
- ◆ If the battery pack does not charge properly:
 - ◆ Check operation of receptacle by plugging in a lamp or other appliance;
 - ◆ Check to see if receptacle is connected to a light switch which turns power off when you turn out the lights;
 - ◆ Move the charger and battery pack to a location where the surrounding air temperature is approximately 18 °C – 24 °C;
 - ◆ If charging problems persist, take the tool, battery pack and charger to your local service centre.
- ◆ The battery pack should be recharged when it fails to produce sufficient power on jobs which were easily done previously. DO NOT CONTINUE to use under these conditions. Follow the charging procedure. You may also charge a partially used pack whenever you desire with no adverse effect on the battery pack.
- ◆ Foreign materials of a conductive nature such as, but not limited to, grinding dust, metal chips, steel wool, aluminium foil, or any buildup of metallic particles should be kept away from charger cavities. Unplug the charger before attempting to clean.
- ◆ Do not freeze or immerse the charger in water or any other liquid.

Fitting and removing the battery (fig. D, E)

- ◆ To fit the battery (15), line it up with the receptacle on the tool (22). Slide the battery into the receptacle and push until the battery snaps into place.
- ◆ To remove the battery, push the battery release button (15a) while at the same time pulling the battery out of the receptacle as shown in figure E.

Changing or Installing a New Saw Blade (Fig. G, H, I)

Warning! To reduce the risk of serious personal injury, turn tool off and remove the battery pack before transporting, making any adjustments or removing/installing attachments or accessories. An accidental start-up can cause injury.

Removing the Blade

- ◆ Remove battery pack (15) from the saw.
- ◆ Raise the arm to the upper position and raise the lower guard (4) as far as possible.
- ◆ Loosen, but do not remove the guard bracket front screw (24) until the bracket (25) can be raised far enough to access the blade screw (26). Lower guard will remain raised due to the position of the guard bracket screw.
- ◆ Depress the spindle lock button (28) while carefully rotating the saw blade (29) by hand until the lock engages.
- ◆ Keeping the button depressed, use the other hand and the hex side of the wrench provided to loosen the blade screw (26). (Turn clockwise, left-hand threads.)
- ◆ Remove the blade screw (26) using the hex side of the wrench provided, the outer clamp washer (30) and blade (29). The inner clamp washer (31) may be left on the spindle (32).

Installing a Blade

- ◆ Remove battery pack (15) from the saw.
- ◆ With the arm raised, the lower guard (4) held open and the guard bracket (25) raised, place the blade (29) on the spindle (32) and against the inner blade clamp (31) with the teeth on the blade pointing in the direction of rotation as marked on the saw.
- ◆ Assemble the outer clamp washer (30) onto the spindle (32).
- ◆ Install the blade screw (26) and, engaging the spindle lock (28), tighten the screw (26) firmly with wrench provided (turn counterclockwise, left-hand threads).
- ◆ Return the guard bracket (25) to its original full down position and firmly tighten the guard bracket screw (24) to hold bracket in place.

Cut line guidance system

Warning! Do not stare into work light. Serious eye injury could result.

Note: The battery must be charged and connected to the mitre saw.

The cut line guidance system can only be turned On or Off by the work light switch (16).

To cut through an existing pencil line on a piece of wood, turn on the cut line guidance system using the work light switch (16) (not with the main trigger), then pull down on the operating handle (2) to bring the saw blade close to the wood.

The shadow of the blade will appear on the wood. This shadow line represents the material that the blade will remove when performing a cut.

To correctly locate your cut to the pencil line, align the pencil line with the edge of the blade's shadow. Keep in mind that you may have to adjust the mitre or bevel angles in order to match the pencil line exactly.

Your saw is equipped with a battery fault feature. The work light begins to flash when the battery is near the end of its useful charge, or when the battery is too hot. Charge the battery prior to continuing cutting applications. Refer to charging procedure under Important safety instructions for battery packs for battery charging instructions.

Mitre control (Fig. J)

The mitre lock knob (5) and mitre latch button (6) allow you to mitre your saw to 47° right and 47° left. The mitre latch will automatically locate at 0°, 15°, 22.5°, 31.6° and 45° both left and right. To mitre the saw, unlock the mitre lock mechanism by turning the mitre lock knob (5) anti clockwise to unlock and clockwise to lock. Pull the mitre latch button (6) up, and set the mitre angle desired on the mitre scale (8). Lock the mitre lock knob (5) by turning clockwise.

Bevel Lock Knob (Fig. K)

The bevel lock allows you to bevel the saw 48° to the left. To adjust the bevel setting, turn the bevel lock knob (12) counterclockwise to loosen. To tighten, turn the bevel lock knob clockwise.

Caution! Pinch hazard. Be sure to tighten bevel lock knob before adjusting overrides.

Trigger Switch (Fig. L)

To turn the saw on, push the lock-off lever (17) to the left, then depress the trigger switch (1). The saw will run while the switch is depressed. Allow the blade to spin up to full operating speed before making the cut. To turn the saw off, release the switch. Allow the blade to stop before raising the saw head. There is no provision for locking the switch on. A hole (1a) is provided in the trigger for insertion of a padlock to lock the switch off.

Your saw is not equipped with an automatic electric blade brake, but the saw blade should stop within 5 seconds of trigger release. This is not adjustable. If the stop time repeatedly

exceeds 5 seconds, have the tool serviced by an authorised Stanley FatMax service centre.

Always be sure the blade has stopped before removing it from the kerf.

Dust Extraction (Fig. M)

Warning! To reduce the risk of serious personal injury, turn tool off and remove the battery pack before transporting, making any adjustments or removing/installing attachments or accessories. An accidental start-up can cause injury. Your saw has a built-in dust port (14) that allows either the supplied dust bag (35) or a shop vacuum system to be connected.

To attach the dust bag

- ◆ Fit the dust bag (35) to the dust port (14) as shown in Figure M.
- ◆ A vacuum tube (38 - not provided) can be fitted to the dust port (14) rather than the dust bag (35). This can be done by fitting your vacuum tube (38) in place of the dust bag (35), see figure M.
- ◆ Use the velcro strap (13a) to hold your vacuum tube (38) clear from the sliding rails (13) whilst operating the saw.

Note: The velcro strap (13a) is not a carrying handle and should not be used to move or transport the saw.

To empty the dust bag

- ◆ Remove dust bag (35) from the saw and gently shake or tap the dust bag to empty.
- ◆ Reattach the dust bag back onto the dust port (14).

You may notice that all the dust will not come free from the bag. This will not affect cutting performance but will reduce the saw's dust collection efficiency. To restore your saw's dust collection efficiency, depress the spring inside the dust bag when you are emptying it and tap it on the side of the trash can or dust receptacle.

Warning! Never operate this saw unless the dust bag is in place. Wood dust may create a breathing hazard.

Cutting with your saw

If the slide feature is not used, ensure the saw head is pushed back as far as possible and the rail lock screw (18) is tightened. This will prevent the saw from sliding along its rails as the workpiece is engaged.

Note: DO NOT CUT FERROUS METALS OR MASONRY WITH THIS SAW (NON FERROUS METALS CAN BE CUT BY THIS SAW). Do not use any abrasive blades.

Note: Refer to guard actuation and visibility in the adjustments section for important information about the lower guard before cutting.

Crosscuts (fig. N)

A crosscut is made by cutting wood across the grain at any angle. A straight crosscut is made with the mitre arm at the zero degree position. Set and lock the mitre arm at zero, hold the wood firmly on the table and against the fence. With the rail lock screw (18) tightened, turn on the saw by squeezing the trigger switch (1).

When the saw comes up to speed (about 1 second) lower the arm smoothly and slowly to cut through the wood. Let the blade come to a full stop before raising arm.

When cutting anything larger than a 2 x 4 (51 x 102), use an out-down-back motion with the rail lock screw (18) loosened. Pull the saw out, toward you, lower the saw head down toward the work piece, and slowly push the saw back to complete the cut. Do not allow the saw blade to contact the top of the work piece while pulling out. The saw may run toward you, possibly causing personal injury or damage to the work piece.

Warning! Always use a work clamp to maintain control and reduce the risk of work piece damage and personal injury, if your hands are required to be within 6" (152 mm) of the blade during the cut.

Note! The rail lock screw (18) must be loose to allow the saw to slide along its rails.

Mitre crosscuts are made with the mitre arm at some angle other than zero.

This angle is often 45° for making corners, but can be set anywhere from zero to 47° left or 47° right. Make the cut as described above.

When performing a mitre cut on work pieces wider than a 2 x 6 that are shorter in length, always place the longer side against the fence (Fig. O).

To cut through an existing pencil line on a piece of wood, match the angle as close as possible. Cut the wood a little too long and measure from the pencil line to the cut edge to determine which direction to adjust the mitre angle and recut. This will take some practice, but it is a commonly used technique.

Bevel cuts

A bevel cut is a crosscut made with the saw blade leaning at an angle to the wood. In order to set the bevel, loosen the bevel lock knob (12), and move the saw to the left as desired. Once the desired bevel angle has been set, tighten the bevel lock firmly. Bevel angles can be set from 3° right to 48° left.

Quality of cut

The smoothness of any cut depends on a number of variables. Things like material being cut, blade type, blade sharpness and rate of cut all contribute to the quality of the cut. When smoothest cuts are desired for moulding and other precision work, a sharp (60 tooth carbide tip) blade and a slower, even cutting rate will produce the desired results.

Ensure that the material does not move or creep while cutting; clamp it securely in place.

Always let the blade come to a full stop before raising arm. If small fibres of wood still split out at the rear of the work piece, stick a piece of masking tape on the wood where the cut will be made. Saw through the tape and carefully remove tape when finished.

For varied cutting applications, refer to the list of recommended saw blades for your saw and select the one that best fits your needs. Refer to Saw Blades under Optional Accessories.

Body and hand position (fig. O1–O4)

Proper positioning of your body and hands when operating the mitre saw will make cutting easier, more accurate and safer. Never place hands near cutting area. Place hands no closer than 6" (152 mm) from the blade. Hold the work piece tightly to the table and the fence when cutting. Keep hands in position until the trigger has been released and the blade has completely stopped.

ALWAYS MAKE DRY RUNS (UN-POWERED) BEFORE FINISH CUTS SO THAT YOU CAN CHECK THE PATH OF THE BLADE. DO NOT CROSS HANDS, AS SHOWN IN FIGURE O3.

Keep both feet firmly on the floor and maintain proper balance. As you move the mitre arm left and right, follow it and stand slightly to the side of the saw blade. Sight through the guard louvres when following a pencil line.

Clamping the work piece

Warning! To reduce the risk of serious personal injury, turn tool off and remove the battery pack before transporting, making any adjustments or removing/installing attachments or accessories. An accidental start-up can cause injury.

Warning! A work piece that is clamped, balanced and secure before a cut may become unbalanced after a cut is completed. An unbalanced load may tip the saw or anything the saw is attached to, such as a table or workbench. When making a cut that may become unbalanced, properly support the work piece and ensure the saw is firmly bolted to a stable surface. Personal injury may occur.

Warning! The clamp foot must remain clamped above the base of the saw whenever the clamp is used. Always clamp the work piece to the base of the saw – not to any other part of the work area. Ensure the clamp foot is not clamped on the edge of the base of the saw.

Warning! Always use a work clamp to maintain control and reduce the risk of work piece damage and personal injury, if your hands are required to be within 6" (152 mm) of the blade during the cut. If you cannot secure the work piece on the table and against the fence by hand (irregular shape, etc.), or

your hand would be less than 6" (152 mm) from the blade, a clamp or other fixture must be used.

Use the material clamp provided with your saw. To purchase a material clamp, contact your local retailer or Stanley FatMax service centre.

Other aids such as spring clamps, bar clamps or C-clamps may be appropriate for certain sizes and shapes of material. Use care in selecting and placing these clamps. Take time to make a dry run before making the cut.

To install clamp (fig. P)

- ◆ Insert the clamp (37) into the hole (19) behind the fence. The clamp should be facing toward the back of the mitre saw. The groove on the clamp rod should be fully inserted into the base. Ensure this groove is fully inserted into the base of the mitre saw. If the groove is visible, the clamp will not be secure.
- ◆ Rotate the clamp 180° toward the front of the mitre saw.
- ◆ Loosen the knob to adjust the clamp up or down, then use the fine adjust knob to firmly clamp the work piece.

Note: Place the clamp on the opposite side of the base when bevelling. ALWAYS MAKE DRY RUNS (UN-POWERED) BEFORE FINISH CUTS TO CHECK THE PATH OF THE BLADE. ENSURE THE CLAMP DOES NOT INTERFERE WITH THE ACTION OF THE SAW OR GUARDS.

Adjustments

Your mitre saw is fully and accurately adjusted at the factory at the time of manufacture. If readjustment due to shipping and handling or any other reason is required, follow the instructions below to adjust your saw.

Once made, these adjustments should remain accurate. Take a little time now to follow these directions carefully to maintain the accuracy of which your saw is capable.

Mitre scale adjustment (fig. Q1)

Lock the arm in the down position. Unlock the mitre lock knob (5) and swing the mitre arm until the mitre latch button (6) locks it at the 0° mitre position. Do not lock the mitre lock knob. Place a square against the saw's fence and blade, as shown. (Do not touch the tips of the blade teeth with the square. To do so will cause an inaccurate measurement.) If the saw blade is not exactly perpendicular to the fence, loosen and move the material fence until the blade is perpendicular to the fence, as measured with the square. Pay no attention to the reading of the mitre pointer at this time.

Bevel square to table adjustment (Fig. Q2)

To align the blade square to the table, lock the arm in the down position with the lock down pin (20). Place a square against the blade, ensuring the square is not on top of a tooth. Loosen the bevel lock knob (5) and ensure the arm is firmly against the 0° bevel stop. Rotate the 0° bevel adjustment

screw with the 1/2" (12.7 mm) socket (not provided) as necessary so that the blade is at 0° bevel to the table, as measured with the square.

Guard actuation and visibility (Fig. V)

Warning! Pinch hazard. To reduce the risk of injury, keep thumb underneath the operating handle when pulling the handle down. The lower guard will move up as the operating handle is pulled down, which could cause pinching.

The lower guard (4) on your saw has been designed to automatically uncover the blade when the arm is brought down and to cover the blade when the arm is raised.

Before each use or after making adjustments, cycle the arm (un-powered) and make sure the guard opens smoothly and closes fully. It should not contact the blade. With the arm up, raise the guard (un-powered) as shown in Figure V and release. The guard should fully close rapidly.

Do not operate the saw if the guard does not move freely and fully close rapidly. Never clamp or tie the guard in an open position when operating the saw.

The guard can be raised by hand when installing or removing saw blades or for inspection of the saw.

NEVER RAISE THE LOWER GUARD MANUALLY UNLESS THE BLADE IS STOPPED.

Note: Certain special cuts of large material will require that you manually raise the guard. Refer to cutting large material under special cuts.

The front section of the guard is louvred for visibility while cutting. Although the louvres dramatically reduce flying debris, they are openings in the guard and safety glasses should be worn at all times.

Rail Guide

Periodically check the rails (13) for any play or clearance. The rails can be cleaned with a dry clean cloth.

Cutting Picture Frames, Shadow Boxes And Other Four-Sided Projects (Fig. R1, R2)

To best understand how to make the items listed here, we suggest that you try a few simple projects using scrap wood until you develop a "feel" for your saw.

Your saw is the perfect tool for mitreing corners like the one shown in Figure R1. Sketch A in Figure R2 shows a joint made by using the bevel adjustment to bevel the edges of the two boards at 45° each to produce a 90° corner. For this joint the mitre arm was locked in the zero position and the bevel adjustment was locked at 45°. The wood was positioned with the broad flat side against the table and the narrow edge against the fence. The cut could also be made by mitreing right and left with the broad surface against the fence.

Cutting trim moulding and other frames (fig. R2)

Sketch B in Figure R2 shows a joint made by setting the mitre arm at 45° to mitre the two boards to form a 90° corner. To make this type of joint, set the bevel adjustment to zero and the mitre arm to 45°. Once again, position the wood with the broad flat side on the table and the narrow edge against the fence.

Figures R1 and R2 are for four-sided objects only.

As the number of sides changes, so do the mitre and bevel angles. The chart below gives the proper angles for a variety of shapes.

Examples

| Number of Sides | Mitre or Bevel Angle |
|-----------------|----------------------|
| 4 | 45° |
| 5 | 36° |
| 6 | 30° |
| 7 | 25.7° |
| 8 | 22.5° |
| 9 | 20° |
| 10 | 18° |

The chart assumes that all sides are of equal length. For a shape that is not shown in the chart, use the following formula: 180° divided by the number of sides equals the mitre (if the material is cut vertically) or bevel angle (if the material is cut laying flat).

Cutting compound mitres (fig. R3)

A compound mitre is a cut made using a mitre angle and a bevel angle at the same time. This is the type of cut used to make frames or boxes with slanting sides like the one shown in figure R3.

Note: If the cutting angle varies from cut to cut, check that the bevel lock knob and the mitre lock handle are securely locked. These must be locked after making any changes in bevel or mitre. The chart at the end of this manual (Table 1) will assist you in selecting the proper bevel and mitre settings for common compound mitre cuts. To use the chart, select the desired angle A (Fig. R3) of your project and locate that angle on the appropriate arc in the chart. From that point follow the chart straight down to find the correct bevel angle and straight across to find the correct mitre angle.

Set your saw to the prescribed angles and make a few trial cuts. Practice fitting the cut pieces together until you develop a feel for this procedure and feel comfortable with it.

Example: To make a 4-sided box with 26° exterior angles (Angle A, Fig. R3), use the upper right arc. Find 26° on the arc scale. Follow the horizontal intersecting line to either side to get mitre angle setting on saw (42°). Likewise, follow the

vertical intersecting line to the top or bottom to get the bevel angle setting on the saw (18°). Always try cuts on a few scrap pieces of wood to verify the settings on the saw.

Cutting base moulding (fig. S)

Straight 90° cuts:

Position the wood against the fence and hold it in place as shown in Figure S. Turn on the saw, allow the blade to reach full speed and lower the arm smoothly through the cut.

Cutting base moulding up to 3.5" (90 mm) high vertically against the Fence

Position material as shown in Figure S. All cuts should be made with the back of the moulding against the fence and with the bottom of the moulding against the table.

| | Inside Corner | Outside Corner |
|------------|---|--|
| Left Side | Mitre left 45° Save left side of cut | Mitre right 45° Save left side of cut |
| Right Side | Mitre right 45° Save right side of cut | Mitre left 45° Save right side of cut |

Material up to 3.5" (90 mm) can be cut as described above.

Cutting crown moulding

In order to fit properly, crown moulding must be compound mitred with extreme accuracy.

The two flat surfaces on a given piece of crown moulding are at angles that, when added together, equal exactly 90°. Most, but not all, crown moulding has a top rear angle (the section that fits flat against the ceiling) of 52° and a bottom rear angle (the part that fits flat against the wall) of 38°.

Your mitre saw has special preset mitre detent points at 31.6° left and right for cutting crown moulding at the proper angle. There is also a mark on the bevel scale at 33.8°.

The Bevel Setting/Type of Cut chart gives the proper settings for cutting crown moulding. (The numbers for the mitre and bevel settings are very precise and are not easy to accurately set on your saw.) Since most rooms do not have angles of precisely 90°, you will have to fine tune your settings anyway.

Instructions for cutting crown moulding laying flat and using the compound features

- ◆ Lay the moulding with broad back surface down flat on saw table (36) (fig. T1).
- ◆ The settings below are for all Standard crown moulding with 52° and 38° angles.

| Bevel Setting | Type Of Cut |
|---------------|---|
| 33.8° | LEFT SIDE, INSIDE CORNER: 1. Top of moulding against fence 2. Mitre table set right 31.62° 3. Save left end of cut |
| 33.8° | RIGHT SIDE, INSIDE CORNER: 1. Bottom of moulding against fence 2. Mitre table set left 31.62° 3. Save left end of cut |
| 33.8° | LEFT SIDE, OUTSIDE CORNER: 1. Bottom of moulding against fence 2. Mitre table set left 31.62° 3. Save right end of cut |
| 33.8° | RIGHT SIDE, OUTSIDE CORNER: 1. Top of moulding against fence 2. Mitre table set right 31.62° 3. Save right end of cut |

Note: When setting bevel and mitre angles for all compound mitres, remember that the angles presented for crown mouldings are very precise and difficult to set exactly. Since they can easily shift slightly and very few rooms have exactly square corners, all settings should be tested on scrap moulding.

Alternative method for cutting crown moulding

Place the moulding at an angle between the fence (11) and the saw table (36), with the top side of the moulding on the table and the bottom side of the moulding on the fence as shown in figure T1.

The advantage to cutting crown moulding using this method is that no bevel cut is required. Minute changes in the mitre angle can be made without affecting the bevel angle. This way, when corners other than 90° are encountered, the saw can be quickly and easily adjusted for them.

Instructions for cutting crown moulding angled between the fence and base of the saw for all cuts

This saw can cut up to 9/16" (14 mm) x 3-5/8" (92 mm) crown moulding nested.

- ◆ Angle the moulding so the bottom of the moulding (part which goes against the wall when installed) is against the fence (11) and the top of the moulding is resting on the saw table (36), as shown in figure T2.
- ◆ The angled "flats" on the back of the moulding must rest squarely on the fence and saw table (36).

| | Inside Corner | Outside Corner |
|------------|--|---|
| Left Side | Mitre right at 45° Save right side of cut | Mitre left at 45° Save right side of cut |
| Right Side | Mitre left at 45° Save left side of cut | Mitre right at 45° Save left side of cut |

Special Cuts

Never make any cut unless the material is secured on the table and against the fence.

Bowed material (fig. U1, U2)

When cutting bowed material always position it as shown in figure U1 and never like that shown in figure U2. Positioning the material incorrectly will cause it to pinch the blade near the completion of the cut.

Cutting round material

Rounded material should be clamped or held firmly to the fence to keep it from rolling. This is extremely important when making angle cuts.

Cutting large material (fig. V)

Occasionally you will encounter a piece of wood a little too large to fit beneath the lower guard. To clear the guard over the wood, with the saw off and your right hand on the operating handle, place your right thumb outside of the upper portion of the guard and roll the guard up just enough to clear the wood, as shown in figure V. Release the guard prior to starting the motor. The guard mechanism will function properly during the cut. Only do this when necessary.
NEVER TIE, TAPE, OR OTHERWISE HOLD THE GUARD OPEN WHEN OPERATING THIS SAW.

Maintenance

Warning! To reduce the risk of serious personal injury, turn tool off and remove the battery pack before transporting, making any adjustments or removing/installing attachments or accessories. An accidental start-up can cause injury.

Warning! To reduce the risk of serious personal injury, DO NOT touch the sharp points on the blade with fingers or hands while performing any maintenance.
DO NOT use lubricants or cleaners (particularly spray or aerosol) in the vicinity of the plastic guard. The polycarbonate material used in the guard is subject to attack by certain chemicals.

- ◆ All bearings are sealed. They are lubricated for life and need no further maintenance.
- ◆ Periodically clean all dust and wood chips from around AND UNDER the base and the rotary table. Even though slots are provided to allow debris to pass through, some dust will accumulate.
- ◆ The brushes are designed to give you several years of use. If they ever need replacement, return the tool to the nearest service centre for repair.

Troubleshooting

| Problem | Possible Cause | Solution |
|------------------------------------|--|--|
| Saw will not start. | Battery not installed. | Install battery. Refer to Installing and Removing Battery Pack. |
| | Battery not charged. | Charge battery. Refer to Charging Procedure. |
| | Brushes worn out | Have brushes replaced by authorised service centre. |
| Saw makes unsatisfactory cuts. | Dull blade. | Replace blade. Refer to Changing or Installing a New Saw Blade. |
| | Blade mounted backwards. | Turn blade around. Refer to Changing or Installing a New Saw Blade. |
| | Gum or pitch on blade. | Remove blade and clean with coarse steel wool and turpentine or household oven cleaner. |
| | Incorrect blade for work being done. | Change the blade type. |
| Work light is flashing. | Battery not charged | Charge battery. Refer to Charging Procedure. |
| Machine vibrates excessively. | Saw not mounted securely to stand or work bench. | Tighten all mounting hardware. Refer to Bench Mounting |
| | Stand or bench on uneven floor. | Reposition on flat level surface. |
| | Damaged saw blade. | Replace blade. Refer to Changing or Installing a New Saw Blade. |
| Does not make accurate mitre cuts. | Mitre scale not adjusted correctly. | Check and adjust. Refer to Mitre Scale Adjustment under Adjustments. |
| | Blade is not square to fence. | Check and adjust. Refer to Mitre Scale Adjustment under Adjustments. |
| | Blade is not perpendicular to table. | Check and adjust fence. Refer to Bevel Square to Table Adjustment under Adjustments. |
| | Work piece moving | Clamp work piece securely to fence or glue 120 grit sandpaper to fence with rubber cement. |
| | Kerf plate worn or damaged. | Take to authorised service centre. |
| Material pinches blade. | Cutting bowed material. | Refer to Bowed Material under Special Cuts. |

Protecting the environment



Separate collection. Products and batteries marked with this symbol must not be disposed of with normal household waste.

Products and batteries contain materials that can be recovered or recycled reducing the demand for raw materials.

Please recycle electrical products and batteries according to local provisions. Further information is available at www.2helpU.com

Technical data

| FMCS701 (H1) | | | |
|------------------------|------------|-------|----------|
| Voltage | V | 18 | |
| Speed | /min | 3,800 | |
| Blade outer diameter | mm | 190 | |
| Bore diameter | mm | 16 | |
| Blade max. kerf | mm | 1.8 | |
| Weight without battery | kg | 10 | |
| Blade thickness | mm | 1.0 | |
| Mitre (max. positions) | ° | 47 | |
| Bevel (max. positions) | ° | 47 | |
| 0 deg. mitre | horizontal | mm | 50 x 216 |
| | vertical | mm | 90 x 15 |
| 45 deg. mitre right | horizontal | mm | 50 x 152 |
| | vertical | mm | 90 x 15 |
| 45 deg. mitre left | horizontal | mm | 50 x 152 |
| | vertical | mm | 90 x 15 |
| 45 deg. bevel left | horizontal | mm | 50 x 152 |
| | vertical | mm | 50 x 15 |

| Charger | | 905998** typ. 1 | 906086** typ. 1 |
|---------------------|-----------------|-----------------|-----------------|
| Input voltage | V _{AC} | 230 | 230 |
| Output voltage | V _{DC} | 18 | 18 |
| Output current | A | 1 | 2 |
| Approx. charge time | Mins | 90 - 240 | 45 - 120 |

| Battery | | FMC689L | FMC687L | FMC688L |
|----------|-----------------|---------|---------|---------|
| Voltage | V _{DC} | 18 | 18 | 18 |
| Capacity | Ah | 1.5 | 2.0 | 4.0 |
| Type | | Li-Ion | Li-Ion | Li-Ion |

| Level of sound pressure according to EN 62841: | |
|--|-------------------------------------|
| L _{PA} (sound pressure) | 83.0 dB(A), Uncertainty (K) 3 dB(A) |
| L _{WA} (sound power) | 94.5 dB(A), Uncertainty (K) 3 dB(A) |

EC declaration of conformity MACHINERY DIRECTIVE



FMCS701 Sliding Compound Mitre Saw

Stanley Europe declares that these products described under "technical data" are in compliance with:
EN62841-1:2015, EN62841-3-9:2015+A11:2017

These products also comply with Directive
2006/42/EC, 2014/30/EU and 2011/65/EU.

For more information, please contact Stanley Fat Max at the
following address or refer to the back of the manual.

The undersigned is responsible for compilation of the
technical file and makes this declaration on behalf of
Stanley Fat Max.



Ray Laverick
Engineering Director
Stanley Fat Max Europe, 210 Bath Road, Slough,
Berkshire, SL1 3YD
United Kingdom
28/06/2018

Guarantee

Stanley Europe is confident of the quality of its products and offers consumers a 12 month guarantee from the date of purchase. This guarantee is in addition to and in no way prejudices your statutory rights. The guarantee is valid within the territories of the Member States of the European Union and the European Free Trade Area.

To claim on the guarantee, the claim must be in accordance with Stanley Fat Max Terms and Conditions and you will need to submit proof of purchase to the seller or an authorised repair agent. Terms and conditions of the Stanley Europe 1 year guarantee and the location of your nearest authorised repair agent can be obtained on the Internet at www.2helpU.com, or by contacting your local Stanley Europe office at the address indicated in this manual.

Please visit our website www.stanley.eu/3 to register your new Stanley Fat Max product and receive updates on new products and special offers.

Verwendungszweck

Ihre verstellbare Kappgehrungssäge FMCS701 von Stanley Fat Max wurde ausschließlich zum Sägen von Holz, Kunststoff und Buntmetallen entwickelt. Dieses Gerät ist zum gewerblichen und privaten Einsatz vorgesehen.

Sicherheitshinweise

Allgemeine Sicherheitswarnungen für das Gerät



Warnung! Beachten Sie alle Sicherheitshinweise, Anweisungen, Darstellungen und Daten, die Sie mit dem Gerät erhalten. Die Nichteinhaltung der folgenden Warnungen und Anweisungen kann einen elektrischen Schlag, Brand und/oder schwere Verletzungen verursachen.

Bewahren Sie alle Sicherheitswarnungen und Anweisungen gut auf. Der nachfolgend verwendete Begriff "Gerät" bezieht sich auf netzbetriebene Geräte (mit Netzkabel) und auf akkubetriebene Geräte (ohne Netzkabel).

1. Sicherheit im Arbeitsbereich

- a. **Halten Sie Ihren Arbeitsbereich sauber und gut ausgeleuchtet.** Unaufgeräumte oder dunkle Bereiche begünstigen Unfälle.
- b. **Betreiben Sie das Gerät nicht in Umgebungen, in denen Explosionsgefahr z. B. aufgrund von brennbaren Flüssigkeiten, Gasen oder Staub besteht.** Geräte erzeugen Funken, die den Staub oder die Dämpfe entzünden können.
- c. **Halten Sie Kinder und andere Personen während der Benutzung eines Geräts fern.** Bei Ablenkung können Sie die Kontrolle verlieren.

2. Elektrische Sicherheit

- a. **Der Netzstecker des Geräts muss in die Steckdose passen. Ändern Sie niemals den Stecker in irgendeiner Form. Verwenden Sie keinerlei Adapterstecker an geerdeten Elektrogeräten.** Unveränderte Stecker und passende Steckdosen mindern die Gefahr eines elektrischen Schlags.
- b. **Vermeiden Sie Körperkontakt mit geerdeten Oberflächen von Rohren, Heizungen, Herden und Kühlschränken.** Es besteht eine erhöhte Gefahr für einen elektrischen Schlag, wenn Ihr Körper geerdet ist.
- c. **Halten Sie Geräte von Regen und Nässe fern.** Das Eindringen von Wasser in ein Gerät erhöht das Risiko eines elektrischen Schlags.
- d. **Verwenden Sie das Kabel ordnungsgemäß. Verwenden Sie es niemals zum Tragen. Trennen Sie das Gerät nicht durch Ziehen am Kabel vom Netz. Halten Sie das Kabel fern von Hitze, Öl, scharfen**

- Kanten oder beweglichen Teilen.** Beschädigte oder verhedderte Kabel erhöhen die Gefahr eines elektrischen Schlages.
- e. **Verwenden Sie nur für den Außenbereich zugelassene Verlängerungskabel, wenn Sie mit dem Gerät im Freien arbeiten.** Die Verwendung eines für den Außenbereich geeigneten Verlängerungskabels verringert das Risiko eines elektrischen Schlags.
- f. **Wenn das Gerät in einer feuchten Umgebung verwendet werden muss, schließen Sie es unbedingt an eine Steckdose mit Fehlerstromschutzschalter (FI-Schalter) an.** Ein Fehlerstromschutzschalter verringert das Risiko eines elektrischen Schlags.
- 3. Sicherheit von Personen**
- a. **Seien Sie aufmerksam, achten Sie darauf, was Sie tun, und gehen Sie sachgerecht mit einem Gerät um. Benutzen Sie kein Gerät, wenn Sie müde sind oder unter dem Einfluss von Drogen, Alkohol oder Medikamenten stehen.** Ein Moment der Unachtsamkeit beim Betrieb eines Geräts kann zu schweren Verletzungen führen.
- b. **Verwenden Sie eine geeignete Schutzausrüstung. Tragen Sie immer einen Augenschutz.** Das Tragen persönlicher Schutzausrüstung, wie Staubmaske, rutschfeste Sicherheitsschuhe, Schutzhelm oder Gehörschutz, je nach Art und Einsatz des Geräts, verringert das Risiko von Verletzungen.
- c. **Vermeiden Sie eine unbeabsichtigte Inbetriebnahme. Vergewissern Sie sich, dass das Gerät ausgeschaltet ist, bevor Sie es an eine Steckdose oder einen Akku anschließen, es hochheben oder tragen.** Wenn Sie beim Tragen des Geräts den Finger am Schalter haben oder das Gerät eingeschaltet an die Stromversorgung anschließen, kann dies zu Unfällen führen.
- d. **Entfernen Sie Einstell- oder Schraubenschlüssel, bevor Sie das Gerät einschalten.** Werkzeuge oder Schlüssel, die an rotierenden Teilen des Geräts angebracht sind, können zu Verletzungen führen.
- e. **Beugen Sie sich nicht zu weit nach vorne. Sorgen Sie für einen sicheren Stand und halten Sie jederzeit das Gleichgewicht.** Dadurch können Sie das Gerät in unerwarteten Situationen besser kontrollieren.
- f. **Tragen Sie geeignete Kleidung. Tragen Sie keine weite Kleidung und keinen Schmuck. Halten Sie Ihre Haare, Kleidung und Handschuhe von beweglichen Teilen fern.** Lose sitzende Kleidung, Schmuck oder lange Haare können sich in den beweglichen Teilen verfangen.
- g. **Falls Vorrichtungen zum Absaugen oder Auffangen von Staub vorhanden sind, vergewissern Sie sich, dass diese angeschlossen sind und richtig verwendet werden.** Das Verwenden einer Staubfangvorrichtung verringert Gefährdungen durch Staub.
- h. **Vermeiden Sie, durch die häufige Nutzung des Werkzeugs in einen Trott zu verfallen und Prinzipien für die Werkzeugsicherheit zu ignorieren.** Eine unachtsame Aktion kann im Bruchteil einer Sekunde zu schweren Verletzungen führen.
- 4. Gebrauch und Pflege von Geräten**
- a. **Überlasten Sie das Gerät nicht. Verwenden Sie das für Ihre Arbeit passende Gerät.** Das richtige Gerät wird die Aufgabe besser und sicherer erledigen, wenn es bestimmungsgemäß verwendet wird.
- b. **Verwenden Sie das Gerät nicht, wenn der Ein-/Ausschalter nicht funktioniert.** Ein Gerät, das sich nicht mehr ein- oder ausschalten lässt, ist gefährlich und muss repariert werden.
- c. **Ziehen Sie den Stecker aus der Steckdose, oder trennen Sie das Gerät vom Akku, bevor Sie Einstellungen vornehmen, Zubehörteile wechseln oder das Gerät lagern.** Diese Vorbeugemaßnahmen mindern die Gefahr, dass das Elektrogerät unbeabsichtigt startet.
- d. **Bewahren Sie unbenutzte Geräte außerhalb der Reichweite von Kindern auf. Lassen Sie Geräte nicht von Personen benutzen, die damit nicht vertraut sind oder diese Anweisungen nicht gelesen haben.** Geräte sind in den Händen nicht geschulter Personen gefährlich.
- e. **Halten Sie das Gerät und sein Zubehör in einem einwandfreien Zustand. Kontrollieren Sie, ob bewegliche Teile falsch ausgerichtet sind oder klemmen und ob Teile gebrochen oder so beschädigt sind, dass die Funktion des Geräts beeinträchtigt ist. Bei Beschädigungen lassen Sie das Gerät reparieren, bevor Sie es verwenden.** Viele Unfälle entstehen wegen mangelnder Wartung der Geräte.
- f. **Halten Sie Schneidgeräte scharf und sauber.** Richtig gewartete Schneidwerkzeuge mit scharfen Klingen blockieren seltener und sind leichter unter Kontrolle zu halten.
- g. **Verwenden Sie Gerät, Zubehör, Einsatz-Bits usw. entsprechend diesen Anweisungen und berücksichtigen Sie dabei die Arbeitsbedingungen und die auszuführende Arbeit.** Der Gebrauch von Geräten für andere als die vorgesehenen Zwecke kann zu gefährlichen Situationen führen.
- h. **Halten Sie die Griffe trocken, sauber und frei von Öl und Fett.** Rutschige Griffe und fettige Oberflächen unterbinden die sichere Bedienbarkeit und Kontrolle über das Werkzeug in unerwarteten Situationen.
- 5. Gebrauch und Pflege von Akkuwerkzeugen**
- a. **Laden Sie den Akku nur mit dem vom Hersteller vorgesehenen Ladegerät auf.** Für ein Ladegerät, das

nur für eine bestimmte Akkuart geeignet ist, besteht Brandgefahr, wenn es mit anderen Akkus verwendet wird.

- b. **Verwenden Sie nur die für das jeweilige Gerät vorgesehenen Akkus.** Die Verwendung anderer Akkus kann zu Verletzungen oder Bränden führen.
- c. **Bewahren Sie den Akku bei Nichtbenutzung nicht in der Nähe metallischer Objekte wie Büroklammern, Münzen, Schlüsseln, Nägeln oder Schrauben auf, da diese eine Verbindung zwischen beiden Polen des Akkus herstellen können.** Durch den dadurch entstehenden Kurzschluss kann der Akku in Brand geraten.
- d. **Bei falscher Anwendung kann Flüssigkeit aus dem Akku austreten. Vermeiden Sie den Kontakt damit. Bei unbeabsichtigtem Kontakt mit Wasser abspülen. Gelangt die Flüssigkeit in die Augen, ziehen Sie außerdem ärztliche Hilfe hinzu.** Austretende Akkuflüssigkeit kann zu Hautreizungen oder Verbrennungen führen.
- e. **Verwenden Sie keine Akkus oder Werkzeuge, die beschädigt sind oder modifiziert wurden.** Beschädigte oder modifizierte Akkus können sich unvorhersehbar verhalten und stellen ein Risiko von Feuer, Explosionen oder Verletzungen dar.
- f. **Setzen Sie Akkus und Werkzeuge keinem Feuer oder extremen Temperaturen aus.** Die Einwirkung von Feuer oder Temperaturen über 130°C kann zu Explosionen führen.
- g. **Befolgen Sie alle Anweisungen zum Aufladen und laden Sie den Akku oder das Werkzeug nicht jenseits des in der Anleitung angegebenen Temperaturbereichs auf.** Das falsche Aufladen oder das Aufladen bei Temperaturen jenseits des angegebenen Bereichs kann den Akku beschädigen und das Brandrisiko erhöhen.

6. Service


- a. **Lassen Sie das Gerät nur von qualifiziertem Fachpersonal und nur mit Originalersatzteilen reparieren.** Damit wird sichergestellt, dass die Sicherheit des Geräts erhalten bleibt.
- b. **Führen Sie an beschädigten Akkus niemals Wartungsarbeiten durch.** Die Wartung von Akkus darf nur vom Hersteller oder von autorisierten Dienstleistern durchgeführt werden.

Sicherheitshinweise für Gehrungssägen

- ◆ **Gehrungssägen sind zum Schneiden von Holz oder holzähnlichen Produkten bestimmt. Sie dürfen nicht mit Trennscheiben zum Schneiden von eisenhaltigem Material wie Stangen, Stäben, Bolzen usw. verwendet werden.** Staubpartikel führen dazu, dass sich bewegliche Teile wie die untere Schutzvorrichtung verklemmen.

Durch Funken beim Trennschneiden können die untere Schutzvorrichtung, der Sägeschlitzzeinsatz und andere Kunststoffteile einbrennen.

- ◆ **Verwenden Sie nach Möglichkeit stets Schraubklemmen, um das Werkstück einzuspannen. Wenn Sie das Werkstück mit der Hand fixieren, müssen Sie Ihre Hand mindestens 100 mm von beiden Seiten des Sägeblatts fernhalten. Nutzen Sie diese Säge nicht zum Schneiden von Teilen, die zu klein sind, um sicher eingespannt oder mit der Hand gehalten zu werden.** Wenn sich Ihre Hand zu nahe am Sägeblatt befindet, besteht ein höheres Verletzungsrisiko durch Kontakt mit dem Sägeblatt.
- ◆ **Das Werkstück muss fest stehen und eingespannt sein oder gegen die Eingrenzung und den Tisch gestützt werden. Führen Sie das Werkstück nicht zum Sägeblatt oder schneiden Sie es auf irgendeine Art „frei Hand“.** Nicht fixierte oder bewegliche Werkstücke können mit hohen Geschwindigkeiten weggeschleudert werden und zu Verletzungen führen.
- ◆ **Drücken Sie die Säge durch das Werkstück. Ziehen Sie die Säge nicht durch das Werkstück. Um einen Schnitt zu machen, heben Sie den Sägekopf an, ziehen Sie diesen ohne zu schneiden über das Werkstück, starten Sie den Motor, drücken Sie den Sägekopf nach unten, und drücken Sie die Säge durch das Werkstück.** Das Schneiden bei Zugspannung führt oft dazu, dass das Sägeblatt aus dem Werkstück steigt und die Sägeblattbaugruppe gewaltsam in Richtung des Bedieners schleudert.
- ◆ **Bringen Sie Ihre Hände nie in die vorgesehene Schnittlinie, wieder vor noch hinter das Sägeblatt.** Das Abstützen des Werkstücks „über Kreuz“, d. h. das Halten des Werkstücks mit der linken Hand auf der rechten Seite des Sägeblatts und umgekehrt, ist sehr gefährlich.
- ◆ **Greifen Sie beim Entfernen von Holzabfällen oder aus anderen Gründen mit den Händen auf beiden Seiten des Sägeblatts nicht näher als 100 mm (4 Zoll) hinter die Schutzabdeckung, während das Sägeblatt dreht.** Die unmittelbare Nähe des drehenden Sägeblatts ist unter Umständen nicht für Sie erkennbar und kann zu schweren Verletzungen führen.
- ◆ **Untersuchen Sie das Werkstück vor dem Schneiden. Wenn das Werkstück bogenförmig oder gekrümmt ist, spannen Sie es mit der nach außen gebogenen Fläche in Richtung des Anschlags ein. Stellen Sie immer sicher, dass es entlang der Schnittlinie keinen Spalt zwischen Werkstück, Anschlag und Tisch gibt.** Bogenförmige oder gekrümmte Werkstücke können verdrehen oder verrutschen und dazu führen, dass das Sägeblatt beim Schneiden verklemt. Daher dürfen sich keine Nägel oder anderen Fremdkörper im Werkstück befinden.

- ◆ **Verwenden Sie die Säge nicht, bis alle Werkzeuge, Hölzer, Abfälle, usw. vom Tisch entfernt wurden, mit Ausnahme des Werkstücks.** Kleine Rückstände, lose Holzstücke oder andere Objekte können bei Kontakt zum drehenden Sägeblatt mit hoher Geschwindigkeit weggeschleudert werden.
 - ◆ **Schneiden Sie immer nur jeweils ein Werkstück.** Übereinander gestapelte Werkstücke können nicht angemessen eingespannt oder fixiert werden und können beim Schneiden verrutschen oder zum Blockieren des Sägeblatts führen.
 - ◆ **Stellen Sie vor der Nutzung sicher, dass die Gehrungssäge auf einer ebenen, festen Arbeitsfläche montiert bzw. positioniert ist.** Eine ebene und feste Arbeitsfläche verringert das Risiko, dass die Gehrungssäge instabil wird.
 - ◆ **Planen Sie Ihre Arbeit. Wenn Sie den Gehrungswinkel ändern, stellen Sie stets sicher, dass der einstellbare Anschlag korrekt eingestellt ist, um das Werkstück zu stützen und dieser das Sägeblatt oder die Schutzvorrichtung nicht blockiert.** Bewegen Sie das Sägeblatt, ohne das Werkzeug auf „ON (EIN)“ zu schalten und ohne ein Werkstück auf dem Tisch, durch einen vollständigen simulierten Schnitt, um sicherzustellen, dass es keine Blockaden gibt oder Gefahr besteht, dass der Anschlag getroffen wird.
 - ◆ **Stellen Sie für Werkstücke, die breiter oder länger als der Tisch sind, eine angemessene Stütze bereit, beispielsweise Tischverlängerungen, Sägeböcke, usw.** Werkstücke, die länger oder breiter als der Tisch der Gehrungssäge sind, können bei unsachgemäßer Abstützung abkippen. Wenn das abgetrennte Holzstück oder Werkstück abkippt, kann es die untere Schutzvorrichtung anheben oder durch das drehende Sägeblatt weggeschleudert werden.
 - ◆ **Verwenden Sie keine Personen als Ersatz für Tischverlängerungen bzw. als zusätzliche Stütze.** Unzureichende Unterstützung des Werkstücks kann dazu führen, dass Sägeblatt oder Werkstück beim Schneidvorgang verklemmen oder verrutschen, so dass Sie und der Helfer in das drehende Sägeblatt gezogen werden.
 - ◆ **Das abgetrennte Teil darf nicht blockiert oder anderweitig gegen das drehende Sägeblatt gedrückt werden.** Wenn kein Platz mehr vorhanden ist, z. B. durch einen Längenanschlag, könnte sich das abgetrennte Holzstück am Sägeblatt verkeilen und gewaltsam weggeschleudert werden.
 - ◆ **Verwenden Sie stets Schraubklemmen oder Vorrichtungen, die zum ordnungsgemäßen Abstützen von Stangen oder Rohren konzipiert sind.** Stangen tendieren dazu, beim Schneiden wegzurollen, wodurch sich das Sägeblatt „festbeißt“ und das Werkstück und Ihre Hand in das Sägeblatt einzieht.
 - ◆ **Lassen Sie das Sägeblatt die volle Drehzahl erreichen, bevor Sie es in Kontakt mit dem Werkstück bringen.** Dadurch wird das Risiko verringert, dass das Werkstück weggeschleudert wird.
 - ◆ **Wenn Werkstück oder Sägeblatt blockiert werden, schalten Sie die Gehrungssäge aus. Warten Sie, bis alle beweglichen Teile vollständig zum Stillstand gekommen sind, ziehen Sie den Stecker aus der Steckdose, und/oder entfernen Sie das Akkupack. Dann können Sie die Blockade entfernen.** Das Fortsetzen des Sägevorgangs mit verklemmtem Werkstück kann zum Kontrollverlust und Schäden an der Gehrungssäge führen.
 - ◆ **Wenn der Schnitt abgeschlossen ist, lassen Sie den Schalter los. Halten Sie den Sägekopf nach unten und warten Sie, bis das Sägeblatt stoppt, bevor Sie das abgetrennte Holzstück entfernen.** Das Greifen mit der Hand in die Nähe des drehenden Sägeblatts ist sehr gefährlich.
- ### Zusätzliche Sicherheitshinweise für Gehrungssägen
- ◆ Die bestimmungsgemäße Verwendung ist in dieser Betriebsanleitung beschrieben. Die Verwendung von Zubehör- oder Anbauteilen, die nicht in dieser Anleitung empfohlen werden, sowie die Bedienung des Geräts in Abweichung von den in dieser Anleitung beschriebenen Verfahren können zu Verletzungen und/oder Sachschäden führen.
 - ◆ Verwenden Sie keine gebrochenen/verbogenen/beschädigten/verformten Sägeblätter.
 - ◆ Ersetzen Sie abgenutzte Schlitzplatten.
 - ◆ Verwenden Sie keine Blätter mit einem kleineren oder größeren Durchmesser als empfohlen. Angaben über die richtigen Sägeblätter sind den Technischen Daten zu entnehmen. Verwenden Sie nur die in diesem Handbuch spezifizierten Sägeblätter im Einklang mit EN 847-1.
 - ◆ Verwenden Sie keine HSS (High Speed Steel)-Sägeblätter.
- 

Warnung! Die Berührung und das Einatmen von Stäuben, die beim Sägen von Materialien entstehen, können beim Bediener und bei Umstehenden gesundheitliche Schäden verursachen. Tragen Sie eine speziell für den Schutz vor Staub und Dämpfen vorgesehene Staubmaske, und stellen Sie sicher, dass auch andere Personen entsprechend geschützt sind, die den Arbeitsplatz betreten oder sich dort aufhalten.
- ◆ Bearbeiten Sie keinesfalls asbesthaltige Materialien. Asbest ist krebserregend.
 - ◆ Tragen Sie beim Umgang mit Sägeblättern und rauen Materialien Handschuhe (Sägeblätter sollten möglichst mithilfe einer Halterung getragen werden).

- ◆ Tragen Sie Gehörschutz, um die Gefahr von lärmbedingten Hörverlust zu reduzieren.
- ◆ Verwenden Sie ggf. spezielle geräuscharme Sägeblätter.
- ◆ Tragen Sie Augenschutz, um die Gefahr von Verletzungen zu reduzieren.
- ◆ Verwenden Sie beim Sägen von Holz den mitgelieferten Staubbeutel.
- ◆ **Halten Sie das Elektrowerkzeug an den isolierten Griffflächen, wenn Arbeiten durchgeführt werden, bei denen das Schneidwerkzeug versteckte Leitungen oder die eigene Anschlussleitung berühren könnte.**
Der Kontakt mit stromführenden Leitungen kann auch offen liegende Metallteile am Gerät unter Strom setzen und zu einem Stromschlag führen.
- ◆ Wählen Sie das richtige Sägeblatt für das zu schneidende Material.
- ◆ Betreiben Sie das Gerät nicht ohne Schutzvorrichtung. Betreiben Sie das Gerät nicht, wenn die Schutzvorrichtung defekt oder nicht ordnungsgemäß gewartet ist.
- ◆ Vergewissern Sie sich vor der Durchführung von Neigungschnitten, dass der Arm sicher befestigt ist.
- ◆ Vergewissern Sie sich vor jedem Sägevorgang, dass die Maschine stabil steht.
- ◆ Achten Sie darauf, dass die Griffe trocken, sauber sowie frei von Öl und Fett sind.
- ◆ Halten Sie die Umgebung des Geräts sauber und frei von losem Material wie Spänen und Verschnittmaterial.
- ◆ Stellen Sie sicher, dass das Gerät und der Arbeitsbereich über eine angemessene allgemeine Beleuchtung oder Punktbeleuchtung verfügen.
- ◆ Das Gerät darf nicht von unerfahrenen Personen verwendet werden.
- ◆ Stellen Sie vor der Verwendung sicher, dass das Sägeblatt ordnungsgemäß angebracht ist. Vergewissern Sie sich, dass das Sägeblatt sich in die richtige Richtung dreht. Achten Sie darauf, dass das Sägeblatt scharf ist. Befolgen Sie die Anweisungen zum Schmieren und Wechseln von Zubehörteilen.
- ◆ Stellen Sie sicher, dass die auf dem Sägeblatt angegebene Drehzahl mindestens so hoch ist wie die auf der Säge angegebene Drehzahl.
- ◆ Vergewissern Sie sich, dass alle Distanz- und Spindelringe dem von Stanley Fat Max angegebenen Zweck entsprechen.
- ◆ Reparaturen des Schnittlinienführungssystems sollten durch das Personal einer Vertragswerkstatt oder durch den Stanley Fat Max Kundendienst erfolgen.
- ◆ Entfernen Sie vor der Durchführung von Wartungsarbeiten und vor dem Sägeblattwechsel den Akku aus der Maschine.
- ◆ Führen Sie keinesfalls Reinigungs- oder Wartungsarbeiten aus und entfernen Sie keinesfalls Verschnittmaterial oder andere Teile des Werkstücks, wenn das Gerät eingeschaltet ist und sich der Sägekopf nicht in der Ruhestellung befindet.
- ◆ Sofern möglich, sollte sich die Maschine immer auf einer Werkbank befinden.
- ◆ Stellen Sie vor dem Betrieb sicher, dass alle Verriegelungen und Griffe fest sitzen.
- ◆ Verwenden Sie die Säge keinesfalls ohne Tischeinlage.
- ◆ Versuchen Sie keinesfalls, das Gerät mithilfe eines Werkzeugs oder anderer Gegenstände plötzlich anzuhalten. Dadurch können ernsthafte Verletzungen verursacht werden.
- ◆ Lesen Sie vor dem Verwenden oder Anbringen von Zubehör die Anleitung. Die falsche Verwendung von Zubehör kann Sachschäden verursachen.
- ◆ Heben Sie die Säge von der Tischeinlage aus dem Werkstück heraus, bevor Sie den Ein-/Ausschalter loslassen.
- ◆ Blockieren Sie nie den Ventilator, um die Antriebswelle zu stoppen.
- ◆ Der Blattschutz an Ihrer Säge wird automatisch hochgezogen, wenn der Arm gesenkt wird; er schwenkt wieder zurück, wenn die Säge in die Ausgangsposition zurückkehrt. Der Blattschutz kann von Hand hochgezogen werden, wenn Sägeblätter ausgewechselt werden und wenn der Zustand der Säge geprüft werden soll. Heben Sie den Sägeblattschutz keinesfalls während des Betriebs an.
- ◆ Überprüfen Sie regelmäßig, ob die Belüftungsschlitze des Motors sauber und spanfrei sind.
- ◆ Machen Sie die Warnsymbole auf dem Gerät keinesfalls unkenntlich.
- ◆ Stützen Sie sich keinesfalls auf dem Gerät ab. Das Kippen des Geräts oder das Berühren des Sägeblatts kann ernsthafte Verletzungen verursachen.
- ◆ Berühren Sie nach dem Gebrauch das Sägeblatt erst, wenn es abgekühlt ist. Das Sägeblatt wird bei der Arbeit sehr heiß.
- ◆ Um Verletzungen durch umhergeschleuderte Materialien zu verhindern, entfernen Sie den Akku aus der Säge, und entfernen Sie dann kleine Materialien.
- ◆ Vor der Verwendung und nach allen Wartungsarbeiten muss der Sägeblattschutz überprüft werden, um dessen ordnungsgemäße Funktion sicherzustellen. Während der Überprüfung muss die Säge ausgeschaltet und der Akku muss entfernt worden sein. Der Arm muss angehoben und gesenkt werden, um sicherzustellen, dass die Schutzvorrichtung das Sägeblatt bedeckt und das Sägeblatt die Schutzvorrichtung nicht berührt. Wenn die Schutzvorrichtung nicht ordnungsgemäß funktioniert, muss das Gerät durch qualifiziertes Fachpersonal gewartet werden. Wenden Sie sich telefonisch an den Stanley Fat Max Kundendienst, um Informationen zu einer Vertragswerkstatt in Ihrer Nähe zu erhalten.

◆ **Diese Gehrungssäge wurde ausschließlich zum Sägen von Holz, Kunststoff und Buntmetallen entwickelt.**

Verwenden Sie das Gerät nicht zum Schneiden von Werkstoffen, die nicht vom Hersteller empfohlen sind.

- ◆ Stehen Sie nie auf dem Elektrowerkzeug. Wenn das Elektrowerkzeug kippt oder in Kontakt mit dem Sägeblattgerät, können schwere Verletzungen entstehen.



Warning! Beim Sägen von Kunststoffen, Holz, das mit einer Beschichtung gegen das Auslaufen von Pflanzensaft versehen ist, und anderen Materialien kann sich geschmolzenes Material auf den Spitzen und dem Körper des Sägeblatts ansammeln, wodurch das Risiko des Überhitzens und Blockierens des Sägeblatts beim Schneiden erhöht wird.

Sicherheit anderer Personen

- ◆ Dieses Ladegerät darf von Kindern ab 8 Jahren und Personen mit eingeschränkten körperlichen, sensorischen oder geistigen Fähigkeiten sowie mangelnder Erfahrung und Wissen in Bezug auf dessen Gebrauch bedient werden, wenn sie bei der Verwendung des Geräts beaufsichtigt oder angeleitet werden und die möglichen Gefahren verstehen.
- ◆ Kinder dürfen nicht mit dem Gerät spielen. Reinigung und Wartungsarbeiten dürfen von Kindern nur unter Aufsicht durchgeführt werden.

Restrisiken

Folgende Risiken sind mit der Verwendung von Sägen untrennbar verbunden:

Auch bei der Einhaltung der entsprechenden Sicherheitsvorschriften und der Verwendung aller Sicherheitsgeräte bestehen weiterhin bestimmte Restrisiken. Diese sind:

- ◆ Verletzungen, die durch das Berühren von sich drehenden/bewegenden Teilen verursacht werden.
- ◆ Schwerhörigkeit.
- ◆ Unfallrisiko durch ungeschützte Teile des sich drehenden Sägeblatts.
- ◆ Das Austauschen von Teilen, Messern oder Zubehör kann Verletzungen zur Folge haben.
- ◆ Quetschen der Finger beim Öffnen der Schutzabdeckungen.
- ◆ Gesundheitsrisiken durch das Einatmen von Staub beim Sägen von Holz, insbesondere Eiche, Buche und Presspan.
- ◆ Der längere Gebrauch eines Geräts kann Verletzungen zur Folge haben. Legen Sie bei längerem Gebrauch regelmäßige Pausen ein.

Lärm

Die angegebenen Werte der Lärmemissionen entsprechen den Richtwerten einer genormten Prüfung und lassen sich zum Vergleich verschiedener Geräte verwenden.

Außerdem kann mit Hilfe dieser Werte die Belastung bei Verwendung des Geräts schon im Voraus eingeschätzt werden.

Warning! Die bei Verwendung des Geräts auftretenden Lärmemissionen hängen von der Art des Gerätegebrauchs und insbesondere von der Art der bearbeiteten Werkstücke ab und können dementsprechend von den angegebenen Werten abweichen.

Warning! Tragen Sie immer geeigneten Gehörschutz.

Unter bestimmten Bedingungen und je nach Anwendungsdauer kann das Geräusch dieses Produktes zu Hörverlust führen. Beachten Sie die folgenden Faktoren, die sich auf die Lärmexposition auswirken:

- ◆ Verwenden Sie Sägeblätter, die Lärmemissionen mindern,
- ◆ Verwenden Sie nur richtig geschärfte Sägeblätter, und
- ◆ Verwenden Sie speziell konstruierte, lärmreduzierende Sägeblätter.

Etiketten am Werkzeug

Folgende Piktogramme sowie der Datumscode befinden sich auf dem Werkzeug:



Warning! Lesen Sie vor Gebrauch die Anleitung. Andernfalls besteht Verletzungsgefahr.



Tragen Sie eine Schutzbrille.



Tragen Sie Gehörschutz.



Tragen Sie eine Staubmaske.



Das Gerät darf nicht von Personen unter 16 Jahren verwendet werden.



Halten Sie Ihre Hände nicht in die Nähe des Sägeblatts.



Bereich "Keine Hände" – Halten Sie Finger und Arme von den rotierenden Sägeblättern fern.



Tragen Sie beim Umgang mit den Sägeblättern Handschuhe.



Starren Sie nicht auf die Betriebsleuchte.

Zusätzliche Sicherheitshinweise für Akkus und Ladegeräte

Warning! Das Gerät darf nur mit dem im Lieferumfang enthaltenen Netzteil betrieben werden.

Hinweis: Der empfohlene Betriebstemperaturbereich des Werkzeugs liegt zwischen 4 °C und 40 °C.

Akkus

- ◆ Keinesfalls versuchen, den Akku zu öffnen.
- ◆ Achten Sie darauf, dass der Akku nicht mit Wasser in Berührung kommt.
- ◆ Nicht bei Temperaturen über 40 °C lagern.
- ◆ Laden Sie den Akku ausschließlich bei Umgebungstemperaturen zwischen 10 °C und 40 °C.
- ◆ Verwenden Sie ausschließlich das mitgelieferte Ladegerät.
- ◆ Beachten Sie bei der Entsorgung von Batterien und Akkus die Hinweise im Abschnitt "Umweltschutz".



Versuchen Sie nie, beschädigte Akkus aufzuladen.

Ladegeräte

- ◆ Verwenden Sie das Stanley FatMax Ladegerät nur für den Akku des Werkzeugs, mit dem es geliefert wurde. Andere Akkus können platzen und Sachschäden oder Verletzungen verursachen.
- ◆ Versuchen Sie keinesfalls, nicht aufladbare Batterien zu laden.
- ◆ Lassen Sie beschädigte Kabel sofort austauschen.
- ◆ Achten Sie darauf, dass das Ladegerät nicht mit Wasser in Berührung kommt.
- ◆ Versuchen Sie nicht, das Ladegerät zu öffnen.
- ◆ Nehmen Sie am Ladegerät keine Veränderungen vor.



Das Ladegerät darf nur im Innenbereich verwendet werden.



Vor Gebrauch die Anleitung lesen.

Elektrische Sicherheit



Das Ladegerät ist schutzisoliert, daher ist keine Erdleitung erforderlich. Stellen Sie sicher, dass die Netzspannung der auf dem Typenschild des Geräts angegebenen Spannung entspricht. Ersetzen Sie das Ladegerät keinesfalls durch ein normales Netzkabel.

- ◆ Ist das Netzkabel beschädigt, muss es durch den Hersteller oder eine Stanley FatMax Vertragswerkstatt ausgetauscht werden, um eine mögliche Gefährdung zu vermeiden.

Merkmale

Dieses Gerät verfügt über einige oder alle der folgenden Merkmale:

1. Auslöseschalter
2. Bediengriff
3. Montagebohrungen

4. Untere Schutzvorrichtung
5. Gehrungsverriegelung
6. Gehrungsriegeltaste
7. Schlitzplatte
8. Gehrungsskala
9. Gehrungsskalenanzeige
10. Tragegriffe
11. Anschlag
12. Neigungsverriegelungsknopf
13. Schienen
- 13a. Klettband
14. Staubabsauganschluss
15. Akku
16. Arbeitsleuchtschalter
17. Arretierhebel
18. Schienenverriegelungsschraube
19. Klemmenbefestigungsbohrung
20. Arretierstift

Montage (Abb. A)

Ihre Gehrungssäge wird teilweise zusammengebaut geliefert.

- ◆ Öffnen Sie die Verpackung und heben Sie die Säge an den Tragegriffen (10) im Unterteil der Säge heraus (Abb. A).
- ◆ Stellen Sie die Säge auf eine glatte, flache Oberfläche wie eine Werkbank oder einen stabilen Tisch.
- ◆ Beachten Sie das Montagediagramm auf Seite 2 dieses Handbuchs, um sich mit der Säge und ihren verschiedenen Teilen vertraut zu machen. Der Abschnitt über Einstellungen bezieht sich auf die Begriffe darin, daher sollten Sie wissen, was und wo die Teile sind.
- ◆ Die Gehrungsverriegelung (5) ist beim Versand nicht montiert. Nehmen Sie die Gehrungsverriegelung (5) aus der Verpackung und schrauben Sie sie an die Säge; die richtige Stelle zeigen die Abbildungen G und J.
- ◆ Ihre Säge besitzt einen integrierten Staubabsauganschluss (14), der es ermöglicht, entweder den mitgelieferten, aber nicht montierten Staubbeutel (35) oder ein Staubabsaugsystem der Werkstatt anzuschließen (Abb. M).

Schlitzplatte (Abb. J)

Die Schlitzplatte (7) wird mit 6 Schrauben am Tisch befestigt. Die Schlitzplatte (7) ist nicht höhenverstellbar.

Hinweis: Wenn die Schlitzplatte (7) abgenutzt oder beschädigt ist oder ausgetauscht werden muss, sollten Reparaturen durch eine Vertragswerkstatt oder durch den Stanley Fat Max Kundendienst erfolgen.

Arretierstift (Abb. F)

Warnung! Der Arretierstift darf NUR beim Transportieren und Aufbewahren der Säge eingesetzt werden. Verwenden Sie den Arretierstift NIEMALS bei Schneidvorgängen.

Hinweis: Zum Anheben, Tragen und Abstützen der Gehrungssäge während des Transports sind die beiden Tragegriffe (10) auf beiden Seiten des Unterteils der Gehrungssäge zu verwenden (Abb. A).

Zum Sperren des Sägekopfes in der unteren Position schieben Sie den Sägekopf nach unten, drücken den Arretierstift (20) herein und lassen den Sägekopf los. Dadurch wird der Sägekopf sicher nach unten gehalten, um die Säge zu transportieren. Zum Lösen drücken Sie den Sägekopf nach unten und ziehen den Stift heraus.

Warnung! Vergewissern Sie sich immer, dass das Werkzeug ausgeschaltet ist und der Akku herausgenommen wurde, bevor Sie die Werkzeugfunktion einstellen oder überprüfen.

Laden eines Akkus (Abb. B)

Stanley FatMax-Ladegeräte sind zum Aufladen von Stanley FatMax-Akkus vorgesehen.

- ◆ Setzen Sie das Ladegerät (21) in eine geeignete Steckdose ein, bevor Sie einen Akku (15) einsetzen.
- ◆ Legen Sie den Akku (15) vollständig in das Ladegerät ein, achten Sie dabei darauf, dass er vollständig eingesetzt ist (Abbildung B).



Die LED (21a) blinkt, wenn der Akku geladen wird.



Der Abschluss des Ladevorgangs wird dadurch angezeigt, dass die LED dauerhaft leuchtet. Der Akku ist vollständig aufgeladen und kann jetzt verwendet oder in der Ladestation gelassen werden.

- ◆ Laden Sie entladene Akkus so bald wie möglich nach dem Gebrauch wieder auf, da sonst die Batterielebensdauer stark verringert werden kann.
- ◆ Um die maximal Akkulaufzeit zu erreichen, sollte der Akku nicht vollständig entladen werden. Es wird empfohlen, den Akku nach jedem Gebrauch aufzuladen.

Ladegerätdiagnose (Abb. C)

Dieses Ladegerät wurde entwickelt, um bestimmte Probleme zu erkennen, die im Zusammenhang mit den Akkus oder der Stromquelle entstehen können. Probleme werden dadurch angezeigt, dass eine LED in verschiedenen Sequenzen blinkt.

Defekter Akku



Das Ladegerät kann einen schwachen oder beschädigten Akku erkennen. Die LED blinkt mit dem Muster, das auf dem Etikett angegeben ist. Wenn das Blinkmuster für einen defekten Akku zu sehen ist, laden Sie den Akku nicht weiter auf. Bringen Sie ihn zu einem Kundendienstzentrum oder einer Recycling-Sammelstelle.

Verzögerung heißer/kalter Akku



Wenn das Ladegerät erkennt, dass ein Akku übermäßig heiß oder kalt ist, startet es automatisch eine "Verzögerung heißer/kalter Akku", bis sich der Akku normalisiert hat. Danach schaltet das Ladegerät automatisch in den Akku-Lademodus. Diese Funktion gewährleistet eine maximale Lebensdauer des Akkus. Die Leuchte blinkt mit dem Muster, das auf dem Etikett angegeben ist.

Belassen des Akkus im Ladegerät

Sie können den Akku auf unbestimmte Zeit im Ladegerät belassen. In diesem Fall leuchtet die LED-Anzeige dauerhaft. Das Ladegerät hält den Akku immer einsatzbereit und vollständig aufgeladen.

Dieses Ladegerät verfügt über einen automatischen Feinabstimmungsmodus, der die einzelnen Zellen im Akku abgleicht oder ausgleicht, um eine maximale Kapazität zu gewährleisten.

Die Feinabstimmung des Akkus sollte wöchentlich erfolgen oder wenn der Akku keine ausreichende Leistung mehr liefert. Um die automatische Feinabstimmung zu verwenden, setzen Sie den Akku in das Ladegerät ein und lassen ihn mindestens 8 Stunden darin stecken.

Wichtige Hinweise zum Aufladen

- ◆ Die längste Lebensdauer und die beste Leistung werden erhalten, wenn der Akku dann geladen wird, wenn die Lufttemperatur zwischen 18 °C – 24 °C liegt. Laden Sie den Akku NICHT bei einer Lufttemperatur unter +4,5 °C oder über +40 °C. Dies ist wichtig, da so schwere Schäden am Akku verhindert werden.
- ◆ Das Ladegerät und der Akku können sich während des Ladevorgangs warm anfühlen. Das ist normal und deutet nicht auf ein Problem hin.
- ◆ Um das Abkühlen des Akkus nach dem Gebrauch zu erleichtern, platzieren Sie das Ladegerät und den Akku nicht in einer warmen Umgebung, wie beispielsweise in einem Metallschuppen oder einem nicht isolierten Wohnwagen.
- ◆ Wenn der Akku nicht richtig aufgeladen wird:
 - ◆ Prüfen Sie die Funktionsfähigkeit der Steckdose, indem Sie eine Lampe oder ein anderes Gerät daran anschließen;
 - ◆ Überprüfen Sie, ob die Steckdose mit einem Lichtschalter verbunden ist, der auch das Gerät ausschaltet, wenn das Licht ausgeschaltet wird;
 - ◆ Bringen Sie Ladegerät und Akku an einen Ort, dessen Umgebungstemperatur etwa 18 °C – 24 °C beträgt;
 - ◆ Wenn die Probleme beim Aufladen weiterhin bestehen, bringen Sie das Werkzeug, den Akku und das Ladegerät zu Ihrem Kundendienstzentrum.
- ◆ Der Akku sollte aufgeladen werden, wenn er nicht mehr genügend Leistung für Aufgaben erbringt, die zuvor

einfach erledigt wurden. Betreiben Sie das Werkzeug in diesem Fall NICHT WEITER. Befolgen Sie die Anweisungen bezüglich des Aufladens. Sie können auch jederzeit einen teilweise entleerten Akku aufladen, ohne dass dies nachteilige Auswirkungen auf den Akku hat.

- ◆ Leitende Fremdmaterialien, unter anderem Schleifstaub, Metallspäne, Stahlwolle, Aluminiumfolie oder Anhäufungen von Metallpartikeln, sollte von Hohlräumen des Ladegeräts ferngehalten werden. Ziehen Sie den Netzstecker des Ladegerätes vor dem Reinigen aus der Steckdose.
- ◆ Das Ladegerät nicht einfrieren oder in Wasser oder andere Flüssigkeiten tauchen.

Einsetzen und Entfernen des Akkus (Abb. D, E)

- ◆ Um den Akku (15) einzusetzen, richten Sie ihn an der Aufnahme am Gerät (22) aus. Schieben Sie den Akku in die Aufnahme, bis er in der richtigen Position einrastet.
- ◆ Um den Akku zu entfernen, drücken Sie die Akku-Entriegelungstaste (15a) und ziehen Sie gleichzeitig den Akku aus der Aufnahme, siehe Abbildung E.

Wechsel oder Montage eines neuen Sägeblatts (Abb. G, H, I)

Warnung! Um die Gefahr schwerer Verletzungen zu mindern, schalten Sie das Werkzeug aus und entfernen Sie den Akku, bevor Sie es transportieren, Einstellungen vornehmen oder Anbaugeräte oder Zubehör anbringen oder entfernen. Ungevoltes Anlaufen kann Verletzungen verursachen.

Entfernen des Sägeblatts

- ◆ Entfernen Sie den Akku (15) aus der Säge.
- ◆ Heben Sie den Arm in die obere Position und den unteren Blattschutz (4) so weit wie möglich.
- ◆ Entfernen Sie die vordere Schraube der Schutzklammer (24) nicht, aber lösen Sie sie so weit, bis die Klammer (25) weit genug angehoben werden kann, um an die Sägeblattschraube (26) zu gelangen. Die untere Schutzvorrichtung bleibt dann aufgrund der Position der Schraube der Schutzklammer angehoben.
- ◆ Drücken Sie den Spindelarretierungsknopf (28) und drehen Sie das Sägeblatt (29) vorsichtig von Hand, bis die Arretierung einrastet.
- ◆ Halten Sie den Knopf gedrückt und lösen Sie mit der anderen Hand und der Sechskantsseite des mitgelieferten Schlüssels die Sägeblattschraube (26). (Im Uhrzeigersinn drehen, Linksgewinde.)
- ◆ Entfernen Sie die Sägeblattschraube (26) mit der Sechskantsseite des mitgelieferten Schlüssels, ebenso die Unterlegscheibe der äußeren Schraubklemme (30) und das Sägeblatt (29). Die innere Unterlegscheibe der Schraubklemme (31) kann auf der Spindel (32) bleiben.

Anbringen eines Sägeblatts

- ◆ Entfernen Sie den Akku (15) aus der Säge.
- ◆ Halten Sie den Arm angehoben, die untere Schutzvorrichtung (4) geöffnet und die Schutzklammer (25) angehoben und setzen Sie das Sägeblatt (29) auf die Spindel (32) und so gegen die innere Sägeblattklemme (31), dass die Zähne des Sägeblatts in die auf der Säge angegebene Drehrichtung zeigen.
- ◆ Montieren Sie die Unterlegscheibe der äußeren Schraubklemme (30) auf die Spindel (32).
- ◆ Montieren Sie die Sägeblattschraube (26) und, während Sie die Spindelarretierung (28) betätigen, ziehen Sie die Schraube (26) mit dem mitgelieferten Schlüssel fest (gegen den Uhrzeigersinn drehen, Linksgewinde).
- ◆ Bringen Sie die Schutzklammer (25) in ihre ursprüngliche, vollständig nach unten geführte Position zurück und ziehen Sie die Schraube der Schutzklammer (24) fest, um die Klammer dort zu befestigen.

Schnittlinienführungssystem

Warnung! Blicken Sie nicht in die Arbeitsleuchte. Dies könnte zu schweren Augenverletzungen führen.

Hinweis: Der Akku muss aufgeladen und mit der Gehrungssäge verbunden sein.

Das Schnittlinienführungssystem kann nur über den Arbeitsleuchterschalter (16) ein- oder ausgeschaltet werden. So schneiden Sie entlang einer vorgezeichneten Linie auf einem Holzstück: Schalten Sie das Schnittlinienführungssystem über den Arbeitsleuchterschalter (16) ein (nicht über den Hauptschalter) und ziehen Sie dann den Bediengriff (2) nach unten, um das Sägeblatt nahe an das Holz zu bringen. Der Schatten des Sägeblatts erscheint auf dem Holz. Diese Schattenlinie repräsentiert das Material, das vom Sägeblatt beim Sägen entfernt wird.

Um den Schnitt korrekt an der Bleistiftlinie zu positionieren, richten Sie die Bleistiftlinie an der Kante des Sägeblattschattens aus. Denken Sie daran, den Gehrungs- oder Neigungswinkel anzupassen, damit er der Linie genau entspricht.

Ihre Säge ist mit einer Akkufehlerfunktion ausgestattet. Die Arbeitsleuchte beginnt zu blinken, wenn der Akku nicht mehr genügend aufgeladen ist, um die nötige Leistung zu erbringen, oder wenn der Akku zu heiß ist. Laden Sie den Akku auf, bevor Sie mit dem Sägen fortfahren. Beachten Sie zum Aufladen von Akkus die Hinweise zum Ladevorgang im Abschnitt „Wichtige Sicherheitshinweise für Akkus“.

Gehrungssteuerung (Abb. J)

Mit der Gehrungsverriegelung (5) und der Gehrungsriegeltaste (6) können Sie die Säge auf Winkel von 47° nach rechts und 47° nach links gehen. Die Gehrungsarretierung rastet sowohl links als auch rechts automatisch bei 0°, 15°, 22,5°,

31,6° und 45° ein. Um die Säge zu gehren, entriegeln Sie die Gehrungsverriegelung, indem Sie die Gehrungsverriegelung (5) zum Entriegeln gegen den Uhrzeigersinn und zum Sperren im Uhrzeigersinn drehen. Ziehen Sie die Gehrungsriegeltaste (6) nach oben und stellen Sie den gewünschten Gehrungswinkel auf der Gehrunsskala (8) ein. Sperren Sie die Gehrungsverriegelung (5) durch Drehen im Uhrzeigersinn.

Neigungsverriegelungsknopf (Abb. K)

Mit der Neigungsverriegelung kann die Säge um 48° nach links geneigt werden. Drehen Sie zum Einstellen der Neigung den Neigungsverriegelungsknopf (12) gegen den Uhrzeigersinn, um ihn zu lockern. Drehen Sie den Neigungsverriegelungsknopf zum Festziehen im Uhrzeigersinn.

Achtung! Quetschgefahr. Achten Sie darauf, den Neigungsverriegelungsknopf festzuziehen, bevor Sie Umgehungen einstellen.

Auslöseschalter (Abb. L)

Um die Säge einzuschalten, drücken Sie den Arretierhebel (17) nach links, drücken Sie dann den Auslöser (1) herein. Die Säge läuft, solange der Schalter eingedrückt wird. Lassen Sie das Sägeblatt vor dem Sägen bis zur Arbeitsgeschwindigkeit hochdrehen. Um die Säge auszuschalten, lassen Sie den Schalter los. Lassen Sie das Sägeblatt erst anhalten, bevor Sie den Sägekopf anheben. Es ist keine Vorrichtung vorhanden, um den Schalter in der eingeschalteten Position zu sperren. Ein Loch (1a) im Auslöser ist dafür vorgesehen, ein Vorhängeschloss einzusetzen, um den Schalter zu sperren.

Ihre Säge ist nicht mit einer automatischen elektrischen Sägeblattbremse ausgestattet, aber das Sägeblatt sollte innerhalb von 5 Sekunden stoppen, nachdem der Auslöser losgelassen wird. Dieses Merkmal ist nicht einstellbar. Wenn die Stoppzeit wiederholt länger als 5 Sekunden ist, lassen Sie das Werkzeug von einer Stanley FatMax-Vertragswerkstatt warten.

Vergewissern Sie sich immer, dass das Sägeblatt angehalten hat, bevor Sie es aus dem Schnitt nehmen.

Staubabsaugung (Abb. M)

Warnung! Um die Gefahr schwerer Verletzungen zu mindern, schalten Sie das Werkzeug aus und entfernen Sie den Akku, bevor Sie es transportieren, Einstellungen vornehmen oder Anbaugeräte oder Zubehör anbringen oder entfernen. Ungewolltes Anlaufen kann Verletzungen verursachen. Ihre Säge besitzt einen integrierten Staubabsauganschluss (14), der es ermöglicht, entweder den mitgelieferten Staubbeutel (35) oder ein Staubabsaugsystem der Werkstatt anzuschließen.

Anbringen des Staubbeutels

- ◆ Befestigen Sie den Staubbeutel (35) wie in Abbildung M gezeigt am Staubabsauganschluss (14).

- ◆ Anstelle des Staubbeutels (35) kann am Staubabsauganschluss (14) auch ein Staubsaugerschlauch (38 - nicht mitgeliefert) angebracht werden. Dazu wird der Staubsaugerschlauch (38) anstelle des Staubbeutels (35) montiert, siehe Abbildung M.
- ◆ Verwenden Sie das Klettband (13a), um den Staubsaugerschlauch (38) während des Betriebs der Säge von den Gleitschienen (13) fernzuhalten.

Hinweis: Das Klettband (13a) eignet sich nicht als Tragegriff und sollte nicht zum Bewegen oder Transportieren der Säge verwendet werden.

Leeren des Staubbeutels

- ◆ Nehmen Sie den Staubbeutel (35) von der Säge und schütteln oder klopfen Sie ihn vorsichtig aus.
- ◆ Bringen Sie den Staubbeutel wieder am Staubabsauganschluss (14) an.

Eventuell löst sich nicht der gesamte Staub aus dem Beutel. Dies wirkt sich nicht auf die Sägeleistung aus, reduziert aber die Staubsammeleffizienz der Säge. Um die Staubsammeleffizienz der Säge wiederherzustellen, drücken Sie beim Leeren des Staubbeutels auf die Feder im Inneren und klopfen Sie ihn gegen den Rand der Mülltonne.

Warnung! Betreiben Sie diese Säge nur, wenn der Staubbeutel angebracht ist. Holzstaub kann Atemprobleme verursachen.

Der Sägevorgang

Wenn die Schiebefunktion nicht verwendet wird, stellen Sie sicher, dass der Sägekopf soweit wie möglich zurückgeschoben und die Schienenverriegelungsschraube (18) festgezogen ist. Das verhindert, dass die Säge sich auf den Schienen verschiebt, wenn das Werkstück aufgelegt wird.

Hinweis: SCHNEIDEN SIE MIT DIESER SÄGE KEINE EISENHALTIGEN METALLE ODER MAUERWERK.

NICHTEISENMETALLE DÜRFEN MIT DIESER SÄGE GESCHNITTEN WERDEN. Verwenden Sie keine Schleifscheiben.

Hinweis: Beachten Sie vor dem Sägen die Hinweise zur Betätigung und Sichtbarkeit der Schutzvorrichtung im Abschnitt „Einstellungen“, der wichtige Informationen über die untere Schutzvorrichtung enthält.

Querschnitte (Abb. N)

Ein Querschnitt ist ein Schnitt durch Holz in einem beliebigen Winkel quer zur Maserung. Ein gerader Querschnitt erfolgt mit dem Gehrungsarm in der Null-Grad-Position. Stellen Sie den Gehrungsarm bei null ein und verriegeln Sie ihn, und halten Sie das Holz fest gegen den Tisch und den Anschlag. Schalten Sie bei festgezogener Schienenverriegelungsschraube (18) die Säge ein, indem Sie den Auslöseschalter (1) hereindrücken.

Wenn die Säge schneller wird (nach etwa 1 Sekunde), senken Sie den Arm gleichmäßig und langsam ab, um das Holz zu schneiden. Lassen Sie das Sägeblatt vollständig zum Stillstand kommen, bevor Sie den Arm heben. Wenn Werkstücke geschnitten werden, die größer als 2 x 4 (51 x 102) sind, führen Sie mit gelöster Schienenverriegelungsschraube (18) eine Bewegung nach außen-unten-zurück durch. Ziehen Sie die Säge heraus, zu Ihnen hin, senken Sie den Sägekopf nach unten zum Werkstück hin ab, und schieben Sie die Säge langsam zurück, um den Schnitt zu vervollständigen. Lassen Sie das Sägeblatt beim Herausziehen nicht die Oberseite des Werkstücks berühren. Die Säge könnte sich auf Sie zu bewegen und Verletzungen oder Schäden am Werkstück verursachen.

Warnung! Verwenden Sie immer einen Schraubstock, um die Kontrolle zu behalten und um das Risiko zu reduzieren, dass das Werkstück beschädigt wird und es zu Verletzungen kommt, wenn sich Ihre Hände innerhalb von 6" (152 mm) vom Sägeblatt befinden müssen, während Sie sägen.

Hinweis! Die Schienenverriegelungsschraube (18) muss locker sein, damit die Säge an den Schienen entlanggleiten kann.

Gehrungsquerschnitte erfolgen mit dem Gehrungsarm in einem anderen Winkel als Null. Dieser Winkel ist häufig 45° für Ecken, kann aber auf jeden Wert von Null bis 47° links oder 47° rechts eingestellt werden. Gehen Sie beim Sägen wie oben beschrieben vor. Bei einem Gehrungsschnitt an Werkstücken, die breiter als 2 x 6 Zoll aber kürzer sind, setzen Sie die längere Seite gegen den Anschlag (Abb. N). Um entlang einer vorgezeichneten Linie auf einem Holzstück zu schneiden, muss der Winkel so weit wie möglich damit übereinstimmen. Schneiden Sie das Holz etwas zu lang ab und messen Sie von der Bleistiftlinie bis zur Schnittkante, um zu bestimmen, in welche Richtung der Gehrungswinkel eingestellt und neu gesägt werden muss. Dies erfordert einige Übung, ist aber eine häufig verwendete Technik.

Neigungsschnitte

Ein Neigungsschnitt ist ein Querschnitt, bei dem das Sägeblatt schräg zum Holz geneigt ist. Um die Abschrägung einzustellen, lockern Sie den Neigungsverriegelungsknopf (12) und bewegen Sie die Säge wie gewünscht nach links. Sobald der gewünschte Neigungswinkel eingestellt ist, ziehen Sie die Neigungsverriegelung fest an. Neigungswinkel können von 3° nach rechts bis 48° nach links eingestellt werden.

Schnittqualität

Die Glätte jedes Schnitts hängt von mehreren Variablen ab. Faktoren wie das zu sägende Material, Sägeblatttyp,

Sägeblattschärfe und Schnittgeschwindigkeit beeinflussen die Schnittqualität. Wenn besonders glatte Schnitte für Präzisionsarbeiten benötigt werden, erzeugen ein scharfes (60-zahni-ge Hartmetallspitzen) Sägeblatt und eine langsamere, gleichmäßige Schnittgeschwindigkeit die gewünschten Ergebnisse. Stellen Sie sicher, dass sich das Material beim Sägen nicht bewegen oder wandern kann; spannen Sie es daher gut fest. Lassen Sie das Sägeblatt vollständig zum Stillstand kommen, bevor Sie den Arm heben.

Wenn am hinteren Ende des Werkstücks noch kleine Fasern oder Holzstücke herausbrechen, kleben Sie Abdeckband auf die Stelle am Holz, wo der Schnitt vorgenommen werden soll. Sägen Sie durch das Band und entfernen Sie es nach dem Sägen sorgfältig.

Beachten Sie für verschiedene Schneidanwendungen die Liste der empfohlenen Sägeblätter für Ihre Säge und wählen Sie diejenige aus, die Ihren Anforderungen am besten entspricht. Siehe „Sägeblätter“ unter „Optionales Zubehör“.

Korrekte Körper- und Handhaltung (Abb. O1–O4)

Die richtige Positionierung von Körper und Händen beim Betrieb der Gehrungssäge macht das Sägen einfacher, genauer und sicherer. Halten Sie Ihre Hände vom Schneidbereich fern. Platzieren Sie die Hände nicht näher als 6" (152 mm) von der Klinge entfernt. Halten Sie das Werkstück beim Sägen dicht am Tisch und Anschlag. Halten Sie Ihre Hände in der Position, bis der Schalter losgelassen wurde und das Sägeblatt vollständig zum Stillstand gekommen ist.

MACHEN SIE IMMER EINEN VERSUCH (MIT AUSGESCHALTETER SÄGE), BEVOR SIE MIT DEM EINGESCHALTETEN GERÄT ARBEITEN, SO DASS SIE DIE BAHN DES SÄGEBLATTS ÜBERPRÜFEN KÖNNEN. KREUZEN SIE IHRE HÄNDE NICHT, SIEHE ABB. O3.

Halten Sie beide Füße fest auf dem Boden und achten Sie darauf, das Gleichgewicht zu behalten. Folgen Sie den Bewegungen des Sägearms nach links und rechts. Stehen Sie dabei ein wenig seitlich des Sägeblattes. Sehen Sie durch das Schutzgitter, wenn Sie einer vorgezeichneten Schnittlinie folgen.

Einspannen des Werkstücks

Warnung! Um die Gefahr schwerer Verletzungen zu mindern, schalten Sie das Werkzeug aus und entfernen Sie den Akku, bevor Sie es transportieren, Einstellungen vornehmen oder Anbaugeräte oder Zubehör anbringen oder entfernen. Unge- wolltes Anlaufen kann Verletzungen verursachen.

Warnung! Ein eingespanntes Werkstück, das vor einem Schnitt symmetrisch und sicher war, kann danach unsymmetrisch sein. Bei unausgeglichener Last kann die Säge kippen oder andere Objekte, an der die Säge befestigt ist, z.B. ein Tisch oder eine Werkbank, können kippen. Bei einem Schnitt, der evtl. unsymmetrisch wird, muss das Werkstück

korrekt abgestützt werden, stellen Sie dabei sicher, dass die Säge fest auf einer stabilen Fläche befestigt ist. Dies könnte zu Verletzungen führen.

Warnung! Der Fuß der Schraubklemme muss immer über dem Unterteil der Säge festgeklemmt werden, wenn die Schraubklemme verwendet wird. Klemmen Sie das Werkstück immer am Unterteil der Säge fest – und nirgendwo sonst am Arbeitsbereich. Stellen Sie sicher, dass der Fuß der Schraubklemme nicht am Rand des Unterteils der Säge festgeklemmt wird.

Warnung! Verwenden Sie immer einen Schraubstock, um die Kontrolle zu behalten und um das Risiko zu reduzieren, dass das Werkstück beschädigt wird und es zu Verletzungen kommt, wenn sich Ihre Hände innerhalb von 6" (152 mm) vom Sägeblatt befinden müssen, während Sie sägen. Wenn Sie das Werkstück nicht mit der Hand auf dem Tisch und gegen den Anschlag sichern können (unregelmäßige Form usw.) oder Ihre Hand weniger als 6" (152 mm) vom Sägeblatt entfernt gehalten werden muss, muss eine Klemme oder eine andere Haltevorrichtung verwendet werden.

Verwenden Sie den Schraubstock, der mit Ihrer Säge geliefert wird. Einen Schraubstock erhalten Sie auch bei Ihrem Händler oder beim Stanley Fat Max-Kundendienst.

Andere Hilfen wie Federklammern oder Schraubzwingen können für bestimmte Größen und Materialformen geeignet sein. Seien Sie bei der Auswahl und Platzierung dieser Vorrichtungen vorsichtig. Nehmen Sie sich Zeit für einen Trockenlauf, bevor Sie mit dem Sägen beginnen.

Anbringen des Schraubstocks (Abb. P)

- Stecken Sie den Schraubstock (37) in das Loch (19) hinter dem Anschlag. Der Schraubstock sollte in Richtung der Rückseite der Gehrungssäge zeigen. Die Rille an der Stange des Schraubstocks sollte vollständig im Unterteil sitzen. Stellen Sie sicher, dass die Rille vollständig in das Unterteil der Gehrungssäge eingesetzt ist. Wenn die Rille sichtbar ist, ist der Schraubstock nicht sicher.
- Drehen Sie den Schraubstock um 180° zur Vorderseite der Gehrungssäge.
- Lockern Sie den Knopf, um den Schraubstock nach oben oder unten zu justieren, klemmen Sie dann das Werkstück mit Hilfe des Feineinstellknopfes gut fest.

Hinweis: Setzen Sie den Schraubstock auf die gegenüberliegende Seite des Unterteils, wenn Sie Neigungsschnitte vornehmen. MACHEN SIE IMMER EINEN VERSUCH (MIT AUSGESCHALTETER SÄGE), BEVOR SIE MIT DEM EINGESCHALTETEN GERÄT ARBEITEN, SO DASS SIE DIE BAHN DES SÄGEBLATTS ÜBERPRÜFEN KÖNNEN. STELLEN SIE SICHER DASS DER SCHRAUBSTOCK NICHT DEN BETRIEB DER SÄGE ODER DIE SCHUTZVORRICHTUNGEN BEHINDERT.

Einstellungen

Ihre Gehrungssäge wurde werksseitig genau eingestellt. Sollte wegen des Transports oder aus irgendeinem anderen Grund eine erneute Einstellung erforderlich sein, gehen Sie gemäß den folgenden Schritten vor, um Ihre Säge einzustellen. Die Einstellungen sollten dann zuverlässig bestehen bleiben. Nehmen Sie sich jetzt etwas Zeit, um diese Anweisungen genau zu befolgen, um die Präzision zu erhalten, zu der Ihre Säge fähig ist.

Einstellung der Gehrungsskala (Abb. Q1)

Verriegeln Sie den Arm in der unteren Position. Entriegeln Sie die Gehrungsverriegelung (5) und schwenken Sie den Gehrungsarm, bis die Gehrungsriegelaste (6) an der Gehrungsposition 0° einrastet. Verriegeln Sie nicht die Gehrungsverriegelung. Legen Sie ein Winkelmaß wie abgebildet gegen den Sägeanschlag und das Sägeblatt. (Berühren Sie die Spitzen der Sägeblattzähne nicht mit dem Winkelmaß. Dies kann zu ungenauen Messungen führen.)

Wenn das Sägeblatt nicht genau senkrecht zum Anschlag steht, lockern und bewegen Sie den Materialanschlag, bis das Sägeblatt senkrecht zum Anschlag steht; verwenden Sie zum Messen ein Winkelmaß. Achten Sie dabei nicht auf die Angaben auf dem Gehrungszeiger.

Einstellung des Winkelmaßes auf den Tisch (Abb. Q2)

Zum Ausrichten des Winkelmaßes auf den Tisch, verriegeln Sie den Arm mit dem Arretierstift (20) in der unteren Position. Setzen Sie ein Winkelmaß gegen das Sägeblatt, stellen Sie dabei sicher, dass das Winkelmaß nicht auf einem Zahn sitzt. Lösen Sie den Neigungsverriegelungsknopf (5) und stellen Sie sicher, dass der Arm fest gegen den 0° Neigungsanschlag sitzt. Drehen Sie die 0° Neigungseinstellschraube (a5) mit dem 1/2" (12,7 mm) Sägeblattschlüssel so weit, dass das Sägeblatt eine 0° Neigung zum Tisch hat, so wie es mit dem Winkelmaß gemessen wurde.

Betätigung und Sichtbarkeit der Schutzvorrichtung (Abb. V)

Warnung! Quetschgefahr. Um das Verletzungsrisiko zu verringern, halten Sie den Daumen unter dem Bediengriff, wenn Sie den Griff nach unten ziehen. Die untere Schutzvorrichtung bewegt sich nach oben, wenn der Bediengriff nach unten gezogen wird, was zu einem Einklemmen führen kann. Die untere Schutzvorrichtung (4) an Ihrer Säge wird automatisch hochgezogen, wenn der Arm gesenkt wird; er schwenkt wieder zurück, wenn die Säge wieder in die obere Position zurückkehrt.

Vor jedem Gebrauch oder nach den Einstellungen den Arm (nicht mit Strom versorgt) vollständig drehen und sicherstellen, dass sich die Schutzvorrichtung problemlos öffnet und vollständig schließt. Sie sollte das Sägeblatt nicht berühren.

Mit angehobenem Arm die Schutzvorrichtung (nicht mit Strom versorgt) wie in Abbildung V gezeigt anheben. Die Schutzvorrichtung sollte sich schnell vollständig schließen.

Betreiben Sie die Säge nicht, falls sich die Schutzvorrichtung nicht ungehindert bewegt und nicht schnell vollständig schließt. Klemmen der binden Sie die Schutzvorrichtung niemals in einer offenen Position fest, wenn Sie die Säge betreiben.

Der Blattschutz kann von Hand hochgezogen werden, wenn Sägeblätter ausgewechselt werden und wenn der Zustand der Säge geprüft werden soll.

HEBEN SIE NIEMALS DIE UNTERE SCHUTZVORRICHTUNG MIT DER HAND AN, WENN DAS SÄGEBLATT NOCH LÄUFT.

Hinweis: Bestimmte Spezialschnitte in großem Material erfordern, dass Sie die Schutzvorrichtung manuell anheben. Beachten Sie dazu die Hinweise zum Sägen von großen Materialien im Abschnitt „Spezialschnitte“.

Der vordere Teil des Blattschutzes ist mit kleinen Schlitzern versehen, die eine gute Sicht auf das Werkstück ermöglichen. Obwohl die Lamellen der Schlitzte die Menge an umherfliegenden Teilchen drastisch reduzieren, stellen sie Öffnungen in der Schutzvorrichtung dar, deshalb sollte immer eine Schutzbrille getragen werden.

Schieneführung

Prüfen Sie regelmäßig die Schienen (13) auf Spiel oder Freiraum. Die Schienen können mit einem trockenen sauberen Tuch gereinigt werden.

Schneiden von Bilderrahmen, Schaukästen und anderen vierseitigen Projekten (Abb. R1, R2)

Um zu verstehen, wie Sie die genannten Objekte herstellen können, empfehlen wir, dass Sie dies mit Altholz an ein paar einfachen Projekten ausprobieren, bis Sie ein Gefühl für die Säge entwickelt haben.

Ihre Säge ist das perfekte Werkzeug für das Gehen von Ecken wie der in Abbildung R1. Skizze A in Abbildung R2 zeigt eine Verbindung, bei der mithilfe der Neigungseinstellung die Kanten der beiden Bretter so abgeschrägt wurden, dass sie mit jeweils 45° eine Ecke von 90° bilden. Für diese Verbindung wird der Gehrungsarm in der Nullposition verriegelt und die Neigungseinstellung bei 45°. Das Holz wird mit der breiten flachen Seite gegen den Tisch und der schmalen Kante gegen den Anschlag gelegt. Der Schnitt könnte auch durch Gehen der rechten und linken Seite mit der breiten Fläche gegen den Anschlag gemacht werden.

Schneiden von Zierleisten und anderen Rahmen (Abb. R2)

Skizze B in Abbildung R2 zeigt eine Verbindung, die mit dem Gehrungsarm bei 45° gemacht wurde, um die beiden Bretter für eine 90° Ecke zu gehen. Stellen Sie für diese Art von Verbindung die Neigungseinstellung auf null und den Gehrungsarm auf 45°. Setzen Sie das Holz wieder mit der breiten flachen Seite auf den Tisch und der schmalen Kante gegen den Anschlag.

Die Abbildungen R1 und R2 gelten nur für vierseitige Objekte. Wenn sich die Anzahl der Seiten ändert, gilt dies auch für die Gehrungs- und Neigungswinkel. Das Diagramm unten gibt die korrekten Winkel für verschiedene Formen an.

Beispiele

| Anzahl an Seiten | Gehrungs- oder Neigungswinkel |
|------------------|-------------------------------|
| 4 | 45° |
| 5 | 36° |
| 6 | 30° |
| 7 | 25,7° |
| 8 | 22,5° |
| 9 | 20° |
| 10 | 18° |

Das Diagramm geht davon aus, dass alle Seiten gleich lang sind. Für eine Form, die nicht im Diagramm enthalten ist, verwenden Sie folgende Formel: 180° geteilt durch die Anzahl der Seiten entspricht der Gehrung (wenn das Material senkrecht geschnitten wird) oder dem Neigungswinkel (wenn das Material flach liegend geschnitten wird).

Doppelgehrungsschnitte (Abb. R3)

Ein Doppelgehrungsschnitt ist Schnitt mit einem Gehrungswinkel und einem Neigungswinkel gleichzeitig. Diesen Schnitttyp verwendet man für Rahmen oder Kästen mit schrägen Seiten wie der in Abbildung R3.

Hinweis: Wenn der Schnittwinkel von Schnitt zu Schnitt variiert, überprüfen Sie, dass der Neigungsverriegelungsknopf und der Gehrungsverriegelungsgriff sicher verriegelt sind. Sie müssen verriegelt werden, nachdem Änderungen an Neigung oder Gehrung vorgenommen wurden. Das Diagramm am Ende dieses Handbuchs (Tabelle 1) hilft Ihnen dabei, die korrekten Neigungs- und Gehrungseinstellungen für allgemeine Doppelgehrungsschnitte zu finden. Wählen Sie in dem Diagramm den gewünschten Winkel A (Abb. R3) Ihres Projekts und finden Sie den Winkel auf dem entsprechenden Bogen im Diagramm. Folgen Sie von dem Punkt der Tabelle gerade nach unten, um den korrekten Neigungswinkel zu finden, und gerade zur Seite, um den korrekten Gehrungswinkel zu finden.

Stellen Sie Ihre Säge auf den angegebenen Winkel ein und machen Sie einige Probeschnitte. Üben Sie das Zusammenfügen der gesägten Stücke so lange, bis Sie ein Gefühl für dieses Verfahren entwickelt haben und sich damit wohl fühlen.

Beispiel: Für einen 4-seitigen Kasten mit 26° Außenwinkel (Winkel A, Abb. R3), verwenden Sie den Bogen oben rechts. Suchen Sie 26° auf der Bogenskala. Folgen Sie der horizontalen Schnittlinie zu beiden Seiten, um die Gehrungswinkeleinrichtung der Säge (42°) zu erhalten. Folgen Sie entsprechend der vertikalen Schnittlinie nach oben oder unten, um die Neigungswinkeleinrichtung an der Säge (18°) zu erhalten. Machen Sie immer Probeschnitte mit ein paar Altholzstücken, um die Einstellungen der Säge zu überprüfen.

Schneiden von Grundformen (Abb. S)

Gerade 90°-Schnitte:

Positionieren Sie das Holz gegen den Anschlag und halten Sie es fest, wie in Abbildung S gezeigt. Schalten Sie die Säge ein, lassen Sie das Sägeblatt die volle Geschwindigkeit erreichen und senken Sie den Arm sanft auf den Schnitt ab.

Schneiden von Grundformen bis zu 3,5" (90 mm) hoch vertikal gegen den Anschlag

Positionieren Sie das Material wie in Abbildung S gezeigt. Alle Schnitte müssen mit der Rückseite der Form gegen den Anschlag und mit der Unterseite gegen den Tisch erfolgen.

| | Innenecke | Außenecke |
|--------------|---|--|
| Linke Seite | Gehrung links 45° Linke Seite des Schnitts beibehalten | Gehrung rechts 45° Linke Seite des Schnitts beibehalten |
| Rechte Seite | Gehrung rechts 45° Rechte Seite des Schnitts beibehalten | Gehrung links 45° Rechte Seite des Schnitts beibehalten |

Material bis zu 3,5" (90 mm) kann wie oben beschrieben geschnitten werden.

Schneiden von Abschlussleisten

Um genau zu passen, müssen Abschlussleisten mit extremer Genauigkeit auf Gehrung gesägt werden.

Die zwei flachen Oberflächen für eine geplante Abschlussleiste müssen Winkel haben, die, wenn sie zusammenaddiert werden, genau 90° entsprechen. Die meisten, aber nicht alle, Abschlussleisten haben einen oberen hinteren Winkel (der Teil, der flach gegen die Decke gerichtet ist) von 52° und einen unteren hinteren Winkel (der Teil, der flach gegen die Wand gerichtet ist) von 38°.

Ihre Gehrungssäge besitzt bei 31,6° links und rechts jeweils spezielle voreingestellte Gehrungs-Rastpunkte, um die richtigen Winkel von Abschlussleisten sägen zu können. Es gibt auch eine Markierung auf der Neigungsskala bei 33,8°.

Das Diagramm „Einstellen der Neigung/Schnitttyp“ zeigt die korrekten Einstellungen zum Sägen von Abschlussleisten.

(Die Zahlen für die Gehrungs- und Neigungseinstellungen sind sehr genau und an der Säge nicht ganz einfach präzise einzustellen.) Da die meisten Räume keine Winkel von genau 90° haben, müssen Sie die Einstellungen präzise feinabstimmen.

Anweisungen zum Schneiden von Abschlussleisten, die flach liegen, und Verwendung von Merkmalen von Doppelgehrungsschnitten

- ◆ Legen Sie die Leiste mit der breiten Rückseite flach auf den Säge Tisch (36) (Abb. T1).
- ◆ Die folgenden Einstellungen gelten für alle Standardabschlussleistenformen mit Winkeln von 52° und 38°.

| Einstellen der Neigung | Schnitttyp |
|------------------------|---|
| 33,8° | LINKE SEITE, INNENECKE: 1. Oberteil der Leiste gegen Anschlag 2. Gehrungseinstellung rechts 31,62° 3. Linkes Ende des Schnitts beibehalten |
| 33,8° | RECHTE SEITE, INNENECKE: 1. Unterteil der Leiste gegen Anschlag 2. Gehrungseinstellung links 31,62° 3. Linkes Ende des Schnitts beibehalten |
| 33,8° | LINKE SEITE, AUßENECKE: 1. Unterteil der Leiste gegen Anschlag 2. Gehrungseinstellung links 31,62° 3. Rechtes Ende des Schnitts beibehalten |
| 33,8° | RECHTE SEITE, AUßENECKE: 1. Oberteil der Leiste gegen Anschlag 2. Gehrungseinstellung rechts 31,62° 3. Rechtes Ende des Schnitts beibehalten |

Hinweis: Beachten Sie bei der Einstellung von Fasen- und Gehrungswinkeln für alle Gehrungsverbindungen, dass die für Abschlussleisten angegebenen Winkel sehr genau sein müssen und nur schwer präzise einzustellen sind. Da sie sich schnell etwas verschieben können und nur sehr wenige Räume exakt rechteckige Ecken haben, sollten alle Einstellungen an Altmaterial ausprobiert werden.

Alternative Methode zum Schneiden von Abschlussleisten

Positionieren Sie die Leiste so in einem Winkel zwischen dem Anschlag (11) und dem Säge Tisch (36), dass die Oberseite der Leiste auf dem Tisch und die Unterseite der Leiste auf dem Anschlag liegt; siehe Abbildung T1.

Der Vorteil beim Schneiden von Abschlussleisten mit diesem Verfahren besteht darin, dass kein Neigungsschnitt erforderlich ist. Genaue Änderungen am Gehrungswinkel können ohne Beeinträchtigung des Neigungswinkels erfolgen. Wenn also andere Ecken als solche mit 90° vorhanden sind, kann die Säge schnell und einfach darauf eingestellt werden.

Anweisungen zum Schneiden von Abschlussleisten, die winkelig zwischen Anschlag und Unterteil der Säge liegen, für alle Schnitte

Mit dieser Säge können verschachtelte Abschlussleisten bis zu 9/16" (14 mm) x 3-5/8" (92 mm) gesägt werden.

- ◆ Legen Sie die Leiste so an, dass der untere Teil (der beim Einbau gegen die Wand gerichtet ist) gegen den Anschlag (11) liegt und der obere Teil auf dem Sägetisch (36) liegt; siehe Abbildung T2.
- ◆ Die winkligen „flachen“ Teile an der Rückseite des Werkstücks müssen rechtwinklig auf Anschlag und Sägetisch (36) liegen.

| | Innenecke | Außenecke |
|--------------|---|--|
| Linke Seite | Gehrung rechts von 45° Rechte Seite des Schnitts beibehalten | Gehrung links von 45° Rechte Seite des Schnitts beibehalten |
| Rechte Seite | Gehrung links von 45° Linke Seite des Schnitts beibehalten | Gehrung rechts von 45° Linke Seite des Schnitts beibehalten |

Spezialschnitte

Führen Sie nur dann Schnitte durch, wenn das Material am Tisch und Anschlag gesichert wurde.

Gekrümmtes Material (Abb. U1, U2)

Beim Schneiden von gekrümmtem Material dieses immer wie in Abbildung U1 gezeigt aufliegen und nie wie in Abbildung U2. Falsches Aufliegen verursacht Schäden am Sägeblatt. Es kann kurz vor dem Abschluss des Schnitts stecken bleiben.

Sägen von rundem Material

Spannen Sie rundes Material fest oder halten Sie es gut am Anschlag fest, damit es nicht wegrollen kann. Dies ist extrem wichtig bei Winkelschnitten.

Schneiden großer Werkstücke (Abb. V)

Gelegentlich haben Sie mit Holzstücken zu tun, die etwas zu groß sind, um unter die untere Schutzvorrichtung zu passen. Um die Schutzvorrichtung über dem Holz zu beseitigen, schalten Sie die Säge aus und legen Sie die rechte Hand auf den Bediengriff. Setzen Sie dann den rechten Daumen außerhalb des oberen Teils der Schutzvorrichtung und rollen Sie die Schutzhaube gerade so hoch, dass das Holz frei wird; siehe Abbildung V. Lassen Sie die Schutzvorrichtung los, bevor Sie den Motor starten. Der Schutzmechanismus funktioniert während des Schnitts ordnungsgemäß. Tun Sie dies nur, wenn es unbedingt nötig ist.

BINDEN ODER KLEBEN SIE DIE SCHUTZVORRICHTUNG NIEMALS FEST ODER HALTEN SIE SIE AUF ANDERE WEISE OFFEN, WENN SIE DIESE SÄGE BETREIBEN.

Wartung

Warnung! Um die Gefahr schwerer Verletzungen zu mindern, schalten Sie das Werkzeug aus und entfernen Sie den Akku, bevor Sie es transportieren, Einstellungen vornehmen oder Anbaugeräte oder Zubehör anbringen oder entfernen. Ungevoltes Anlaufen kann Verletzungen verursachen.

Warnung! Um schwere Verletzungen zu vermeiden, berühren Sie NICHT die scharfen Stellen am Sägeblatt mit den Fingern oder Händen, wenn Sie Wartungsarbeiten durchführen. Verwenden Sie KEINE Schmiermittel oder andere Reinigungsmittel (besonders Spray oder Aerosole) in der Nähe der Kunststoff-Schutzvorrichtung. Das verwendete Polycarbonatmaterial der Schutzvorrichtung reagiert empfindlich auf bestimmte Chemikalien.

- ◆ Alle Lager sind abgedichtet. Sie sind lebenslang geschmiert und benötigen keine weitere Wartung.
- ◆ Entfernen Sie regelmäßig alle Staub und Holzspäne aus dem Bereich um und UNTER dem Drehtisch. Obwohl Schlitzte vorgesehen sind, um zu ermöglichen, dass Schmutz hindurchgeht, sammelt sich immer etwas Staub an.
- ◆ Die Bürsten sind so konzipiert, dass sie mehrere Jahre lang verwendbar sind. Wenn sie dennoch ersetzt werden müssen, senden Sie das Werkzeug zur Reparatur an das nächstgelegene Kundendienstzentrum.

Fehlerbehebung

| Problem | Mögliche Ursache | Lösung |
|--|---|--|
| Säge startet nicht. | Akku wurde nicht angebracht. | Akku anbringen. Siehe „Anbringen und Entfernen des Akkus“. |
| | Der Akku ist nicht geladen. | Laden Sie den Akku auf. Siehe „Ladevorgang“. |
| | Bürsten verschlissen. | Bürsten vom Kundendienst austauschen lassen. |
| Die Säge macht unbefriedigende Schnitte. | Stumpfes Sägeblatt. | Sägeblatt austauschen. Siehe „Wechsel oder Montage eines neuen Sägeblatts“. |
| | Sägeblatt ist nach hinten montiert. | Sägeblatt umdrehen. Siehe „Wechsel oder Montage eines neuen Sägeblatts“. |
| | Gummi- oder Pechablagerungen auf dem Sägeblatt. | Sägeblatt entfernen und mit grober Stahlwolle und Terpentin oder Haushaltsfenreiniger säubern. |
| | Falsches Sägeblatt für die geplante Aufgabe. | Sägeblatttyp ändern. |
| Arbeitsleuchte blinkt. | Der Akku ist nicht geladen. | Laden Sie den Akku auf. Siehe „Ladevorgang“. |
| Maschine vibriert übermäßig. | Säge nicht sicher an Ständer oder Werkbank befestigt. | Alle Befestigungsteile gut festziehen. Siehe „Werkbankbefestigung“. |
| | Ständer oder Werkbank steht auf unebenem Boden. | Auf einer ebenen Fläche neu aufstellen. |
| | Beschädigtes Sägeblatt. | Sägeblatt austauschen. Siehe „Wechsel oder Montage eines neuen Sägeblatts“. |

| Problem | Mögliche Ursache | Lösung |
|--------------------------------------|--|--|
| Gehrungsschnitte werden nicht genau. | Gehrungsskala nicht richtig eingestellt. | Überprüfen und einstellen. Siehe „Einstellung der Gehrungsskala“ unter „Einstellungen“. |
| | Sägeblatt steht nicht rechtwinklig zum Anschlag. | Überprüfen und einstellen. Siehe „Einstellung der Gehrungsskala“ unter „Einstellungen“. |
| | Sägeblatt steht nicht senkrecht zum Tisch. | Anschlag überprüfen und einstellen. Siehe „Einstellung des Winkelmaßes auf den Tisch“ unter „Einstellungen“. |
| | Werkstück bewegt sich. | Werkstück sicher am Anschlag einspannen oder 120er-Schleifpapier mit Gummizement am Anschlag festkleben. |
| | Schlitzplatte abgenutzt oder beschädigt. | Zu einer autorisierten Kundendienststelle bringen. |
| Material klemmt Sägeblatt ein. | Schneiden von gekrümmtem Material. | Siehe „Gekrümmtes Material“ im Abschnitt „Spezialschnitte“. |

| | | | |
|-------------------------------|------------|----|----------|
| 0 Grad Gehrungswinkel | horizontal | mm | 50 x 216 |
| | vertikal | mm | 90 x 15 |
| 45 Grad Gehrungswinkel rechts | horizontal | mm | 50 x 152 |
| | vertikal | mm | 90 x 15 |
| 45 Grad Gehrungswinkel links | horizontal | mm | 50 x 152 |
| | vertikal | mm | 90 x 15 |
| 45 Grad Ansträhwinkel links | horizontal | mm | 50 x 152 |
| | vertikal | mm | 50 x 15 |

| Ladegerät | | 905998** typ. 1 | 906086** typ. 1 |
|--------------------|-----------------|-----------------|-----------------|
| Eingangsspannung | V _{AC} | 230 | 230 |
| Ausgangsspannung | V _{DC} | 18 | 18 |
| Ausgangsstrom | A | 1 | 2 |
| Ungefähre Ladezeit | Mins | 90 - 240 | 45 - 120 |

| Akku | | FMC689L | FMC687L | FMC688L |
|-----------|-----------------|----------|----------|----------|
| Spannung | V _{DC} | 18 | 18 | 18 |
| Kapazität | Ah | 1,5 | 2,0 | 4,0 |
| Typ | | Li-Ionen | Li-Ionen | Li-Ionen |

| Schalldruckpegel gemäß EN 62841: | |
|----------------------------------|---|
| L _{pa} (Schalldruck) | 83,0 dB(A), Unsicherheitsfaktor (K) 3 dB(A) |
| L _{wa} (Schallleistung) | 94,5 dB(A), Unsicherheitsfaktor (K) 3 dB(A) |

Umweltschutz



Getrennte Sammlung. Produkte und Akkus mit diesem Symbol dürfen nicht mit dem normalen Hausmüll entsorgt werden.

Produkte und Akkus enthalten Materialien, die wiederverwertet werden können, um den Bedarf an Rohstoffen zu verringern. Bitte recyceln Sie elektrische Produkte und Akkus gemäß den örtlichen Bestimmungen. Weitere Informationen finden Sie auf www.2helpU.com

Technische Daten

| FMCS701 (H1) | | |
|------------------------------------|------|-------|
| Spannung | V | 18 |
| Geschwindigkeit | /min | 3,800 |
| Sägeblattaußendurchmesser | mm | 190 |
| Scheibendurchmesser | mm | 16 |
| Sägeblatt max. Schnitt | mm | 1,8 |
| Gewicht ohne Akku | kg | 10 |
| Stärke des Sägeblatts | mm | 1,0 |
| Gehrungswinkel (Maximalstellungen) | ° | 47 |
| Ansträhwinkel (Maximalstellungen) | ° | 47 |

EU-Konformitätserklärung
MASCHINENRICHTLINIE



FMCS701 Verstellbare Kappgehrungssäge

Stanley Europe erklärt, dass diese unter "Technische Daten" beschriebenen Geräte übereinstimmen mit: EN62841-1:2015, EN62841-3-9:2015+A11:2017

Diese Produkte entsprechen außerdem der Richtlinie 2006/42/EC, 2014/30/EU und 2011/65/EU.

Weitere Informationen erhalten Sie von Stanley FatMax unter der folgenden Adresse. Diese befindet sich auch auf der Rückseite dieser Anleitung.

Der Unterzeichnete ist verantwortlich für die Zusammenstellung der technischen Daten und gibt diese Erklärung im Namen von Stanley Fat Max.



Ray Laverick
Engineering Director
Stanley Fat Max Europe, 210 Bath Road, Slough,
Berkshire, SL1 3YD
Vereinigtes Königreich
28.06.2018

Garantie

Stanley Europe vertraut auf die Qualität der eigenen Geräte und bietet dem Käufer eine außergewöhnliche Garantie von 12 Monaten ab Kaufdatum. Diese Garantie versteht sich unbeschadet der gesetzlichen Gewährleistungsansprüche und schränkt diese keinesfalls ein. Diese Garantie gilt innerhalb der Staatsgebiete der Mitgliedstaaten der Europäischen Union und der Europäischen Freihandelszone.

Zur Inanspruchnahme dieser Garantie muss sie den allgemeinen Geschäftsbedingungen von Stanley Fat Max entsprechen und dem Verkäufer bzw. der Vertragswerkstatt ist ein Kaufnachweis vorzulegen. Die Bedingungen für die 1-jährige Garantie von Stanley Europe und den Standort Ihrer nächstgelegenen Vertragswerkstatt finden Sie im Internet unter www.2helpU.com oder indem Sie sich an die lokale Stanley Europe-Niederlassung wenden, deren Adresse Sie in dieser Anleitung finden.

Ihr neues Stanley FatMax-Produkt können Sie auf unserer Website unter www.stanley.eu/3 registrieren. Dort erhalten Sie auch Informationen über neue Produkte und Sonderangebote.

Utilisation prévue

Votre scie à onglet combiné à coulisse Stanley Fat Max FMCS701 est conçue pour scier le bois, le plastique et les métaux non ferreux uniquement. Cet outil a été conçu pour les professionnels et les particuliers.

Consignes de sécurité

Avertissements de sécurité générale liés aux outils électriques



Avertissement ! Veuillez lire tous les avertissements de sécurité, toutes les instructions, les illustrations et les spécifications fournies avec cet outil électrique.

Le non-respect des avertissements et des instructions listés ci-dessous peut entraîner des chocs électriques, des incendies et/ou de graves blessures.

Conservez tous les avertissements et toutes les instructions afin de pouvoir vous y référer dans le futur. Le terme "outil électrique" mentionné dans tous les avertissements listés ci-dessous fait référence à vos outils électriques branchés sur secteur (avec câble) ou fonctionnant sur pile ou batterie (sans fil).

1. Sécurité de la zone de travail

- a. **Maintenez la zone de travail propre et bien éclairée.**
Les zones sombres ou encombrées sont propices aux accidents.
- b. **N'utilisez pas d'outils électriques dans un environnement présentant des risques d'explosion ou en présence de liquides, gaz ou poussières inflammables.** Les outils électriques créent des étincelles qui peuvent enflammer les poussières et les fumées.
- c. **Maintenez les enfants et les autres personnes éloignés lorsqu'un outil électrique est en marche.**
Toute distraction peut vous faire perdre le contrôle de l'outil.

2. Sécurité électrique

- a. **Les prises des outils électriques doivent correspondre à la prise de courant murale. Ne modifiez jamais la prise d'aucune sorte. N'utilisez aucun adaptateur avec des outils électriques reliés à la terre.** L'utilisation de prises d'origine et de prises murales appropriées permet de réduire le risque de choc électrique.
- b. **Évitez tout contact physique avec des surfaces reliées à la terre comme des tuyaux, des radiateurs, des fours et des réfrigérateurs par exemple.** Il y a sinon un risque accru de choc électrique si votre corps est lui-même relié à la terre.

- c. **N'exposez pas les outils électriques à la pluie, ni à l'humidité.** Le risque de choc électrique augmente si de l'eau pénètre dans un outil électrique.
- d. **Ne tirez pas sur le cordon d'alimentation. N'utilisez jamais le cordon pour transporter, tirer ou débrancher l'outil électrique. Maintenez le cordon éloigné de la chaleur, de substances grasses, de bords tranchants ou de pièces mobiles.** Les cordons endommagés ou emmêlés augmentent le risque de choc électrique.
- e. **Si vous utilisez un outil électrique à l'extérieur, utilisez une rallonge homologuée pour les travaux extérieurs.** L'utilisation d'une rallonge électrique homologuée pour les travaux en extérieur réduit le risque de choc électrique.
- f. **Si l'utilisation d'un outil électrique dans un endroit humide est inévitable, utilisez une alimentation électrique protégée par un disjoncteur différentiel à courant résiduel (DDR).** L'utilisation d'un disjoncteur différentiel réduit le risque de choc électrique.
3. **Sécurité des personnes**
- a. **Restez vigilant, surveillez ce que vous faites et faites preuve de bon sens lorsque vous utilisez un outil électrique. N'utilisez pas d'outils électriques si vous êtes fatigué ou sous l'influence de drogue, d'alcool ou de médicaments.** Tout moment d'inattention pendant l'utilisation d'un outil électrique peut engendrer de graves blessures.
- b. **Portez des équipements de protection individuelle. Portez toujours une protection oculaire.** Les équipements de protection comme les masques à poussière, les chaussures de sécurité antidérapantes, les casques ou les protections auditives, utilisés à bon escient, réduisent le risque de blessures.
- c. **Empêchez tout démarrage intempestif. Assurez-vous que l'interrupteur est en position Arrêt avant de raccorder l'outil à l'alimentation électrique et/ou au bloc-batterie ou avant de ramasser ou de transporter l'outil.** Le fait de transporter les outils électriques le doigt sur l'interrupteur ou d'alimenter les outils électriques dont l'interrupteur est déjà en position de marche augmente le risque d'accidents.
- d. **Retirez toutes les clés ou pinces de réglage avant de mettre l'outil en marche.** Une clé ou une pince restée fixée sur une pièce rotative de l'outil électrique peut engendrer des blessures.
- e. **Ne vous penchez pas. Gardez les pieds bien ancrés au sol et conservez votre équilibre en permanence.** Cela permet de mieux maîtriser l'outil électrique en cas de situations imprévues.
- f. **Portez des vêtements appropriés. Ne portez aucun vêtement ample ou bijou. Gardez vos cheveux, vos vêtements et vos gants éloignés des pièces mobiles.**
- Les vêtements amples, les bijoux ou les cheveux longs peuvent être happés par les pièces mobiles.
- g. **Si des dispositifs pour le raccordement d'un extracteur de poussières ou des installations pour la récupération sont présents, assurez-vous qu'ils sont correctement raccordés et utilisés.** L'utilisation de dispositifs récupérateurs de poussières réduit les risques liés aux poussières.
- h. **Ne pensez pas être familiarisé avec l'outil après l'avoir utilisé à de nombreuses reprises, au point de ne plus rester vigilant et d'en oublier les consignes de sécurité.** Toute action imprudente peut engendrer de graves blessures en une fraction de seconde.
4. **Utilisation et entretien des outils électriques**
- a. **Respectez la capacité de l'outil. Utilisez l'outil approprié en fonction du travail à réaliser.** Un outil adapté fonctionne mieux, de façon plus sûre et à la cadence pour laquelle il a été conçu.
- b. **N'utilisez pas l'outil électrique si son interrupteur ne permet pas de l'allumer ou de l'éteindre.** Tout outil électrique qui ne peut plus être commandé par son interrupteur est dangereux et doit être réparé.
- c. **Débranchez la prise du secteur et/ou retirez le bloc-batterie de l'outil électrique avant d'effectuer tout réglage, de changer un accessoire ou de ranger l'outil électrique.** Ces mesures de sécurité préventives réduisent le risque de démarrage accidentel de l'outil électrique.
- d. **Rangez les outils électriques non utilisés hors de portée des enfants et ne laissez aucune personne ne connaissant pas ces outils ou leurs instructions d'utilisation les faire fonctionner.** Les outils électriques peuvent être dangereux entre des mains inexpérimentées.
- e. **Entretenez vos outils électriques et leurs accessoires. Vérifiez que les pièces mobiles sont alignées correctement et qu'elles ne sont pas coincées. Vérifiez qu'aucune pièce n'est cassée et contrôlez l'absence de toute autre condition qui pourrait nuire au bon fonctionnement de l'outil. En cas de dommage, faites réparer l'outil électrique avant de l'utiliser.** De nombreux accidents sont provoqués par des outils électriques mal entretenus.
- f. **Maintenez les organes de coupe affûtés et propres.** Des organes de coupe bien entretenus et affûtés sont moins susceptibles de rester coincés et sont plus faciles à contrôler.
- g. **Utilisez l'outil électrique, les accessoires et les embouts d'outils conformément à ces instructions, en tenant compte des conditions de travail, ainsi que du travail à effectuer.** L'utilisation d'un outil électrique à des fins autres que celles pour lesquelles il a été prévu engendre des situations dangereuses.

- h. **Veillez à ce que les poignées et les surfaces de préhension restent sèches et propres, sans trace d'huile ou de graisse.** Des poignées glissantes et des surfaces grasses ne permettent pas de manipuler ou de contrôler l'outil de façon sûre en cas de situation inattendue.
5. **Utiliser et entretenir la batterie de l'outil**
- a. **N'effectuez la recharge qu'à l'aide du chargeur spécifié par le fabricant.** Un chargeur adapté pour un type de bloc-batterie peut engendrer un risque d'incendie s'il est utilisé avec un bloc-batterie différent.
- b. **N'utilisez les outils électriques qu'avec les blocs-batteries qui leur sont dédiés.** L'utilisation d'un autre bloc-batterie peut engendrer des blessures et un incendie.
- c. **Lorsque le bloc-batterie n'est pas utilisé, éloignez-le des objets en métal comme les trombones, les pièces de monnaies, les clés, les clous, les vis ou d'autres petits objets métalliques qui pourraient créer un contact entre les deux bornes.** La mise en court-circuit des bornes d'une batterie peut provoquer des brûlures ou un incendie.
- d. **Dans des conditions extrêmes, du liquide peut être éjecté de la batterie. Évitez tout contact avec ce liquide. En cas de contact accidentel, rincez à l'eau. En cas de contact avec les yeux, consultez en plus un médecin.** Le liquide projeté de la batterie peut provoquer des irritations ou des brûlures.
- e. **N'utilisez pas un bloc-batterie ou un outil endommagé ou modifié.** Une batterie endommagée ou altérée peut avoir un comportement imprévisible qui peut conduire à un incendie, une explosion ou un risque de blessure.
- f. **N'exposez pas le bloc-batterie ou l'outil au feu ou à des températures excessives.** L'exposition au feu ou à des températures dépassant 130° C peut provoquer une explosion.
- g. **Respectez les instructions de charge et ne rechargez pas le bloc-batterie ou l'outil à une plage de températures hors de celle spécifiée dans les instructions.** Une charge mal effectuée ou à des températures hors de la plage spécifiée peut endommager la batterie et augmenter le risque d'incendie.
6. **Révision/Réparation**
- a. **Faites réparer votre outil électrique par une personne qualifiée, n'utilisez que des pièces de rechange d'origine.** Cela permet de garantir la sûreté de l'outil électrique.
- b. **Ne réparez jamais des blocs-batteries endommagés.** Les réparations sur les blocs-batteries ne doivent être effectuées que par le fabricant ou l'un de ses prestataires de services agréés.

Consignes de sécurité liées aux scies à onglet

- ◆ **Les scies à onglet servent à scier le bois ou les produits dérivés du bois, elles ne peuvent pas être utilisées avec des disques abrasifs de tronçonnage prévus pour les métaux ferreux comme les barres, les tiges, les goujons, etc.** La poussière abrasive provoque le blocage des pièces mobiles comme le carter de protection inférieur par exemple. Les étincelles émises lors du tronçonnage abrasif peuvent embraser le carter inférieur, le repère de trait de coupe et les autres pièces en plastique.
- ◆ **Utilisez des dispositifs de fixation pour maintenir l'ouvrage lorsque c'est possible. Si vous devez soutenir la pièce à la main, gardez toujours votre main à au moins 100 mm des deux côtés de la lame de scie. N'utilisez pas cette scie pour scier des pièces trop petites pour être correctement fixées ou tenues à la main.** Si votre main se trouve trop près de la lame de scie, le risque de blessure par la lame est augmenté.
- ◆ **L'ouvrage doit être fixe et attaché ou tenu contre la garde et le plateau. Ne poussez pas l'ouvrage vers la lame ou ne sciez pas «à main levée».** Les ouvrages non fixés ou mobiles peuvent être projetés à haute vitesse et provoquer des blessures.
- ◆ **Poussez la scie à travers l'ouvrage. Ne tirez pas la scie à travers l'ouvrage. Pour réaliser une coupe, soulevez la tête de la scie et tirez-la au dessus de l'ouvrage à l'arrêt, démarrez le moteur, abaissez la tête de scie et poussez la scie à travers l'ouvrage.** Scier pendant la phase de traction contribue à faire monter la lame de scie sur le sommet de l'ouvrage et à violemment projeter l'ensemble de la lame vers l'opérateur.
- ◆ **Ne croisez jamais les mains au dessus de la ligne de coupe prévue que ce soit devant ou derrière la lame de scie.** Le fait de soutenir l'ouvrage les mains croisées, c-à-d de tenir l'ouvrage à droite de la lame de scie avec la main gauche ou vice-versa est très dangereux.
- ◆ **N'avancez jamais l'une ou l'autre de vos mains derrière la garde, à plus de 100 mm de la lame quel qu'en soit le côté, pour retirer les chutes de bois ou pour une raison quelconque lorsque la lame est en mouvement.** La distance entre la lame de scie en mouvement et votre main peut ne pas être si évidente à évaluer et vous risquez de vous blesser sévèrement.
- ◆ **Inspectez l'ouvrage avant de le scier. Si l'ouvrage est courbe ou voilé, fixez-le face courbe face à la garde. Assurez-vous toujours qu'il n'y a aucun espace entre l'ouvrage, la garde et le plateau le long de la ligne de coupe.** Les pièces courbe ou voilée peuvent vriller ou se déplacer et provoquer le coincement de la lame en mouvement pendant le sciage. L'ouvrage ne doit contenir aucun clou ou corps étranger.

- ◆ **N'utilisez pas la scie tant que le plateau n'a pas été débarrassé de tous les outils, chutes de bois, etc et qu'il ne reste pas que la pièce à scier.** Les petits débris, les morceaux de bois ou les autres objets en vrac qui entrent en contact avec la lame en mouvement peuvent être projetés à haute vitesse.
- ◆ **Ne sciez qu'une seule pièce à la fois.** Plusieurs pièces empilées ne peuvent pas être correctement attachées ou accolées et peuvent se coincer ou se décaler pendant la coupe.
- ◆ **Assurez-vous que la scie à onglet est correctement fixée ou posée sur une surface de travail ferme et de niveau avant de l'utiliser.** Une surface de travail ferme et de niveau réduit les risques d'instabilité de la scie à onglet.
- ◆ **Planifiez votre travail. Chaque fois que vous modifiez l'angle de biseau ou l'anglet de l'onglet, assurez-vous que la garde réglable est correctement placée pour soutenir l'ouvrage et qu'elle n'interfère pas avec la lame ou les carters de protection.** Sans mettre l'outil en marche et sans que l'ouvrage ne soit sur le plateau, déplacez la lame de scie pour simuler la procédure de coupe complète et vous assurer qu'il n'existe aucune interférence avec la garde ou risque de la scier.
- ◆ **Installez des supports adaptés, comme des rallonges de plateau, des chevalets, etc. pour les pièces plus larges ou plus longues que le plateau de l'établi.** Les pièces plus longues ou plus larges que le plateau de la scie à onglet peuvent basculer si elles ne sont pas correctement soutenues. Le morceau coupé de la pièce ou les bouts de l'ouvrage peuvent soulever le carter inférieur ou être projetés par la lame en rotation.
- ◆ **Ne demandez à personne de remplacer une rallonge ou un support supplémentaire.** Les supports de pièce instables peuvent provoquer le coincement de la lame ou le déplacement de la pièce pendant la découpe et vous faire entrer, vous et la personne qui vous aide, en contact avec la lame en rotation.
- ◆ **Le morceau coupé de la pièce ne doit en aucune manière être bloqué ou comprimé contre la lame de scie en rotation.** S'il l'est, à l'aide de butées en longueur par exemple, le morceau coupé de la pièce peut se retrouver enclavé contre la lame et être violemment projeté.
- ◆ **Utilisez toujours un système d'attache ou de serrage conçu pour correctement soutenir les matériaux ronds comme les baguettes ou les tubes.** Les baguettes ont tendance à rouler pendant leur découpe et à faire "mordre" la lame et à attirer votre ouvrage et votre main vers la lame.
- ◆ **Laissez le moteur atteindre son plein régime avant de mettre la lame en contact avec l'ouvrage.** Cela permet de réduire le risque de projection de la pièce.

- ◆ **Si la pièce ou la lame sont bloquées, éteignez la scie. Patientez le temps que toutes les pièces mobiles se soient arrêtées et débranchez la prise de la source d'alimentation électrique et/ou retirez le bloc-batterie. Intervenez ensuite pour libérer les pièces coincées.** Continuer à scier alors que l'ouvrage est bloqué peut provoquer une perte de contrôle ou endommager la scie à onglet.
- ◆ **Une fois la découpe terminée, relâchez l'interrupteur, gardez la tête de scie abaissée et attendez que la lame soit arrêtée avant de retirer la pièce coupée.** Avancez ses mains près d'une lame tournant encore par inertie est dangereux.

Consignes de sécurité supplémentaires pour les scies à onglet

- ◆ L'utilisation prévue est décrite dans ce manuel d'utilisation. L'utilisation d'un accessoire ou d'un équipement non spécifié ou l'utilisation de cet outil à d'autres fins que celles recommandées dans ce manuel d'utilisation présentent un risque de blessures et/ou de dommages matériels.
- ◆ N'utilisez pas de lame fissurée, tordue, endommagée ou déformée.
- ◆ Remplacez la plaque de saignée lorsqu'elle est usée.
- ◆ N'utilisez pas de lames de diamètres supérieurs ou inférieurs à ceux recommandés. Référez-vous aux données techniques pour connaître les caractéristiques appropriées des lames. N'utilisez que les lames mentionnées dans ce manuel, conformes à la norme EN 847-1.
- ◆ N'utilisez pas de lames fabriquées en acier à coupe rapide (HSS).



Avertissement ! Tout contact ou inhalation des poussières émises pendant le sciage peut nuire à la santé de l'opérateur et des personnes à proximité. Portez un masque anti-poussières spécialement conçu pour vous protéger des poussières et des fumées et veillez à ce que les personnes se trouvant à l'intérieur de la zone de travail ou y pénétrant soient également protégées.

- ◆ Ne travaillez pas avec des matériaux contenant de l'amiante. L'amiante est considérée comme étant cancérigène.
- ◆ Portez des gants pour manipuler les lames et les matériaux bruts (si possible, les lames doivent être transportées dans un support).
- ◆ Portez des protections auditives afin de réduire le risque de perte auditive.
- ◆ Pensez à utiliser des lames spécialement conçues pour réduire le bruit ambiant.

- ◆ Portez une protection oculaire afin de réduire les risques de blessure.
- ◆ Utilisez le sac à poussière fourni lorsque vous sciez du bois.
- ◆ **Tenez l'outil électrique par les surfaces de préhension isolées prévues à cet effet pendant les opérations pendant lesquelles l'organe de coupe pourrait entrer en contact avec des fils électriques cachés ou son propre cordon.** Tout contact de l'organe de coupe avec un fil sous tension peut mettre les parties métalliques exposées de l'outil sous tension et provoquer un choc électrique à l'utilisateur
- ◆ Choisissez une lame adaptée à la matière à scier.
- ◆ Ne faites pas fonctionner la machine sans que le carter de protection soit en place. Ne faites pas fonctionner la machine si le carter de protection ne fonctionne pas ou s'il n'est pas correctement entretenu.
- ◆ Prenez soin de fixer le bras solidement pour effectuer des coupes en biseau.
- ◆ Avant chaque coupe, assurez-vous que la machine est stable.
- ◆ Veillez à garder les poignées sèches et propres, exemptes d'huile ou de graisse.
- ◆ Maintenez la zone autour de la machine propre. Ne laissez aucun matériau traîner, comme par exemple des copeaux et des chutes de bois.
- ◆ Assurez-vous du bon éclairage de la machine et de la zone de travail.
- ◆ Ne laissez pas les personnes non initiées utiliser cette machine.
- ◆ Assurez-vous que la lame est correctement installée avant chaque utilisation. Assurez-vous que la lame tourne dans le bon sens. Gardez la lame bien affûtée. Suivez les instructions pour le graissage et le changement des accessoires.
- ◆ Assurez-vous que la vitesse indiquée sur la lame de scie est au moins égale à la vitesse indiquée sur la scie.
- ◆ Assurez-vous que toutes les entretoises et les bagues d'axe sont adaptées à l'utilisation tel que spécifié par Stanley Fat Max.
- ◆ Les réparations du système de guidage sur la ligne de coupe doivent être confiées à des réparateurs agréés ou à l'équipe d'assistance Stanley Fat Max.
- ◆ Retirez la batterie de la machine avant d'effectuer toute opération de maintenance ou de changer la lame.
- ◆ N'effectuez jamais aucune opération de nettoyage ou de maintenance et ne retirez jamais aucune chute de bois ou autre morceau de l'ouvrage de la zone de travail tant que la machine est en marche et que la tête de scie n'est pas à l'arrêt.
- ◆ Lorsque cela est possible, fixez toujours la machine sur un établi.
- ◆ Assurez-vous que toutes les poignées et boutons de verrouillage sont correctement serrés avant de commencer.
- ◆ N'utilisez jamais la scie sans son plateau.
- ◆ Ne tentez jamais d'arrêter rapidement la machine en coinçant un outil ou autre chose contre la lame. Cela pourrait provoquer de graves accidents.
- ◆ Lisez le manuel d'utilisation avant d'utiliser la machine ou d'installer un accessoire. L'utilisation incorrect d'un accessoire peut provoquer des dommages.
- ◆ Soulevez la lame du plateau dans l'ouvrage avant de relâcher l'interrupteur Marche/Arrêt.
- ◆ Ne calez jamais aucun élément contre le ventilateur pour bloquer l'axe du moteur.
- ◆ Le carter de protection de votre scie se soulève automatiquement quand le bras est abaissé et il s'abaisse automatiquement par dessus la lame quand le bras est relevé. Le carter de protection peut être relevé à la main pour l'installation ou le retrait des lames de scie ou pour procéder à l'inspection de la scie. Ne relevez jamais le carter de protection à la main si la machine n'est pas éteinte.
- ◆ Vérifiez régulièrement que les orifices d'aération du moteur sont propres et exempts de copeaux.
- ◆ N'abîmez jamais les mentions d'avertissement figurant sur l'outil électrique.
- ◆ Ne montez jamais sur l'outil électrique. De graves blessures pourraient être occasionnées si l'outil électrique devait basculer ou en cas de contact avec la lame de la scie.
- ◆ Après une coupe, ne touchez jamais la lame de la scie avant qu'elle n'ait refroidi. La lame chauffe énormément pendant la coupe.
- ◆ Afin d'éviter les blessures dues aux projections, retirez la batterie de la scie pour empêcher tout démarrage accidentel avant de retirer les petites chutes.
- ◆ Avant l'utilisation et après toute opération de maintenance, contrôlez le bon fonctionnement du carter de protection. Ce test doit être effectué alors que la scie est éteinte et que la batterie a été retirée. Le bras doit être relevé et abaissé pour garantir que le carter de protection recouvre la lame et que cette dernière n'entre pas en contact avec le carter. Si le carter de protection ne fonctionne pas correctement, faites réparer votre outil électrique par un réparateur qualifié. Appelez le service clientèle de Stanley Fat Max pour savoir quel est le réparateur le plus proche.
- ◆ **Cette scie à onglet a été conçue pour scier le bois, le plastique et les métaux non ferreux uniquement.** N'utilisez pas la scie pour scier des matériaux autres que ceux recommandés par le fabricant.
- ◆ Ne saisissez pas la lame de scie après utilisation avant qu'elle n'ait refroidi. Les lames de scies peuvent devenir très chaudes durant le travail.



Avertissement ! La découpe de plastique, de bois recouvert de sève et d'autres matériaux peut provoquer l'accumulation de matière fondue sur les pointes et le corps de la lame de scie, augmentant ainsi le risque de surchauffe et de grippage de la lame pendant la découpe.

Sécurité des personnes

- ◆ Ce chargeur peut être utilisé par des enfants âgés de 8 ans ou plus et par des personnes aux capacités physiques, mentales ou sensorielles réduites ou qui manquent d'expérience ou de connaissance s'ils sont supervisés ou ont été formés à l'utilisation sûre de l'appareil et qu'ils sont conscients des dangers potentiels.
- ◆ Ne laissez pas les enfants jouer avec l'appareil. Le nettoyage et la maintenance à réaliser par l'utilisateur ne doivent pas être entrepris par des enfants sans surveillance.

Risques résiduels

Les risques suivants sont inhérents à l'utilisation des scies : Malgré l'application des normes de sécurité pertinentes et la mise en œuvre de dispositifs de sécurité, certains risques résiduels ne peuvent pas être évités. Ils comprennent :

- ◆ Les blessures dues au contact avec des pièces mobiles/ en rotation.
- ◆ Troubles auditifs.
- ◆ Risques d'accidents dus à des pièces à nu de la lame de scie en mouvement.
- ◆ Risques de blessures dus au changement de pièces, de lames ou d'accessoires.
- ◆ Risque de coincement des doigts au moment de l'ouverture des carters de protection.
- ◆ Risques pour la santé dus à l'inhalation des sciures de bois, et notamment de chêne, hêtre et de MDF.
- ◆ Blessures dues à l'utilisation prolongée d'un outil. Lorsque vous utilisez un outil quel qu'il soit pendant de longues périodes, assurez-vous de faire des pauses régulières.

Bruit

La valeur des émissions de bruit déclarée a été mesurée selon une méthode de test standard et elle peut être utilisée pour comparer un outil à un autre.

La valeur des émissions de bruit déclarée peut également être utilisée pour une évaluation préliminaire à l'exposition.

Avertissement ! Les émissions de bruit pendant l'utilisation réelle de l'outil électrique peuvent différer des valeurs déclarées en fonction de la façon dont l'outil est utilisé et tout particulièrement en fonction du type de pièce sciée.

Avertissement ! Toujours porter une protection auditive personnelle appropriée. Dans certaines circonstances et en fonction des durées d'utilisation, le bruit émis par ce produit peut contribuer à une perte de l'ouïe. Veuillez prendre note des facteurs suivants qui influencent l'exposition au bruit :

- ◆ Utilisation de lames de scie conçues pour amoindrir le bruit émis,
- ◆ Utilisation stricte de lames de scie bien affûtées, et
- ◆ Utilisation de lames de scie spécifiquement conçues pour amoindrir le bruit.

Étiquettes apposées sur l'outil

Les pictogrammes suivants ainsi que le code date sont apposés sur l'outil :



Avertissement ! Afin de réduire le risque de blessures, l'utilisateur doit lire le manuel d'utilisation.



Portez des lunettes de protection



Portez des protections auditives



Portez un masque anti-poussière



Cet appareil ne doit pas être utilisé par des enfants de moins de 16 ans



Tenez les mains éloignées de la lame.



Zone interdite aux mains - Éloignez vos doigts et bras de la lame de scie en mouvement



Portez des gants pour manipuler les lames



Ne regardez pas directement l'éclairage de travail

Consignes de sécurité supplémentaires liées aux batteries et chargeurs

Avertissement ! Cet appareil ne doit être utilisé qu'avec l'alimentation électrique avec laquelle il a été fourni.

Remarque : La plage de températures de service de l'outil recommandé est 4 °C à 40 °C.

Batteries

- ◆ Ne tentez jamais de les ouvrir sous aucun prétexte.
- ◆ N'exposez pas la batterie à l'eau.
- ◆ Ne la stockez pas dans des endroits où la température peut dépasser 40 °C.
- ◆ Ne la rechargez qu'à une température ambiante comprise entre 10 °C et 40 °C.
- ◆ Ne la rechargez qu'à l'aide du chargeur fourni avec l'outil.
- ◆ Lors de la mise au rebut des batteries, respectez les instructions données dans la section "Protection de l'environnement".



N'essayez pas de recharger des batteries endommagées.

Chargeurs

- ◆ N'utilisez votre chargeur Stanley FatMax que pour recharger la batterie fournie avec l'outil. D'autres batteries pourraient exploser et provoquer des blessures et des dommages.
- ◆ Ne tentez jamais de recharger des piles non rechargeables.
- ◆ Faites immédiatement remplacer les cordons endommagés.
- ◆ N'exposez pas le chargeur à l'eau.
- ◆ N'ouvrez pas le chargeur.
- ◆ Ne sondez pas le chargeur.



Le chargeur est conçu pour être exclusivement utilisé à l'intérieur.



Lisez le manuel d'utilisation avant de l'utiliser.

Sécurité électrique



Votre chargeur dispose d'une double isolation, aucune liaison à la terre n'est donc nécessaire. Vérifiez toujours que la tension du réseau électrique correspond à la tension figurant sur la plaque signalétique. N'essayez jamais de remplacer le module de charge par une prise secteur ordinaire.

- ◆ Si le câble d'alimentation est endommagé, il doit être remplacé par le fabricant ou par un centre d'assistance Stanley FatMax agréé afin d'éviter tout risque éventuel.

Caractéristiques

Cet outil dispose de tout ou partie des éléments suivants.

1. Interrupteur à gâchette
2. Poignée de travail
3. Trous de montage
4. Carter de protection inférieur
5. Bouton de verrouillage de l'onglet
6. Bouton d'enclenchement de l'onglet
7. Plaque de saignée
8. Échelle de graduation de l'onglet
9. Indicateur de l'échelle de graduation de l'onglet
10. Poignées de transport
11. Garde
12. Bouton de verrouillage du biseau
13. Rails
- 13a. Bande Velcro
14. Raccord pour l'aspiration des poussières
15. Bloc-batterie
16. Interrupteur Éclairage de travail
17. Levier de verrouillage
18. Vis de verrouillage du rail

19. Trous de fixation de la bride
20. Goupille de verrouillage en position basse

Assemblage (Fig. A)

Votre scie à onglet est pré-assemblée dans son carton.

- ◆ Ouvrez le carton et sortez la scie en utilisant les poignées de transport (10) à la base de la scie (Fig. A).
- ◆ Placez la scie sur une surface homogène et plate comme un établi ou un plateau solide par exemple.
- ◆ Consultez le schéma de montage de la page 2 de ce manuel afin de vous familiariser avec la scie et ses différentes pièces. La section sur les réglages fait référence à ces termes et vous devez savoir reconnaître ces pièces et savoir où elles se trouvent.
- ◆ Le bouton de verrouillage de l'onglet (5) n'est pas assemblé au moment de l'expédition. Sortez le bouton de verrouillage de l'onglet (5) de l'emballage et vissez-le sur la scie, voir les figures G et J pour savoir où.
- ◆ Votre scie intègre une prise de raccordement pour un système d'aspiration des poussières (14) qui permet de raccorder le sac à poussière (35) fourni mais non installé ou un aspirateur du commerce (Fig. M).

Plaque de saignée (Fig. J)

La plaque de saignée (7) est fixée au plateau à l'aide de 6 vis. La hauteur de la plaque de saignée (7) n'est pas réglable.

Remarque : Si la plaque de saignée (7) est usée, endommagée ou qu'elle doit être remplacée, les réparations doivent être effectuées par un réparateur agréé ou l'équipe d'assistance Stanley Fat Max.

Goupille de verrouillage en position basse (Fig. F)

Avertissement ! La goupille de verrouillage en position basse NE doit être utilisée QUE pour le transport ou le stockage de la scie. N'utilisez JAMAIS la goupille de verrouillage en position basse pendant une opération de coupe.

Remarque : Pour soulever, porter et soutenir la scie à onglet pour son transport, utilisez les deux poignées de transport (10) situées des deux côtés à la base de la scie (Fig. A). Pour verrouiller la tête de scie en position basse, poussez-la vers le bas, enfoncez la goupille de verrouillage en position basse (20) puis relâchez la tête de scie. Cela permet de maintenir la tête de scie en bas en toute sécurité afin de pouvoir transporter la scie d'un endroit à un autre. Pour libérer la tête de scie, maintenez-la enfoncée et sortez la goupille.

Avertissement ! Assurez-vous toujours que l'outil est éteint et que la batterie est retirée avant de régler ou de contrôler le fonctionnement de l'outil.

Recharger la batterie (Fig. B)

Les chargeurs Stanley FatMax sont conçus pour recharger les blocs-batteries Stanley FatMax.

- ◆ Branchez le chargeur (21) dans une prise appropriée avant d'y insérer un bloc-batterie (15).
- ◆ Insérez le bloc-batterie (15) dans le chargeur en vous assurant qu'il est parfaitement en place dans les encoches prévues pour la batterie (Figure B).



Le voyant (21a) clignote pour indiquer que la batterie est en charge.



La fin de la charge est indiquée par le voyant restant fixe en continu. Le bloc est alors complètement rechargé et il peut soit être utilisé, soit être laissé dans le chargeur.

- ◆ Rechargez les batteries déchargées dès que possible après l'utilisation pour ne pas grandement diminuer leur durée de vie.
- ◆ Pour augmenter la durée de vie de la batterie, ne la laissez pas se décharger complètement. Il est recommandé de recharger les batteries après chaque utilisation.

Diagnostique du chargeur (Fig. C)

Ce chargeur a été conçu pour détecter certains problèmes qui peuvent survenir avec les blocs-batteries ou la source d'alimentation. Les problèmes sont signalés par un voyant clignotant de différentes manières.

Batterie défectueuse



Le chargeur peut détecter une batterie faible ou endommagée. Le voyant clignote de la façon indiquée sur l'étiquette. Arrêtez la charge de la batterie si vous voyez ce motif de clignotement indiquant que la batterie est défectueuse. Renvoyez-la dans un centre d'assistance ou un site de collecte pour recyclage.

Délai Bloc chaud/froid



Lorsque le chargeur détecte que la batterie est trop chaude ou trop froide, il démarre automatiquement un délai Bloc

Chaud/Froid, suspendant la charge jusqu'à ce que la batterie se stabilise. Après cela, le chargeur passe automatiquement en mode Charge Bloc. Cette fonctionnalité garantit la durée de vie maximale de la batterie. Le voyant clignote de la façon indiquée sur l'étiquette.

Laisser la batterie dans le chargeur

Le chargeur et le bloc-batterie peuvent rester raccordés en permanence avec le voyant allumé. Le chargeur maintient ainsi le bloc-batterie prêt et complètement rechargé. Ce chargeur dispose d'un mode Ajustage automatique qui égalise ou équilibre les cellules individuelles du bloc-batterie pour lui permettre de fonctionner à sa pleine capacité.

Les blocs-batteries doivent être ajustés toutes les semaines ou dès que la batterie ne permet plus de réaliser les mêmes

tâches qu'auparavant. Pour utiliser le mode Ajustage automatique, placez le bloc-batterie dans le chargeur et laissez-le pendant au moins 8 heures.

Remarques importantes sur la charge

- ◆ Une durée de vie plus longue et de meilleures performances peuvent être obtenues si le bloc-batterie est rechargé à une température ambiante comprise entre 18°C et 24°C. **NE RECHARGEZ PAS** le bloc-batterie si la température ambiante est inférieure à +4,5°C ou supérieure à +40°C. Ceci est important et permet d'éviter le grave endommagement du bloc-batterie.
- ◆ Le chargeur et le bloc-batterie peuvent devenir chauds au toucher pendant la charge. C'est normal et cela n'indique pas un problème.
- ◆ Afin de faciliter le refroidissement du bloc-batterie après utilisation, évitez de placer le chargeur ou le bloc-batterie dans un environnement chaud comme une remise métallique ou une remorque non isolée.
- ◆ Si le bloc-batterie ne se recharge pas correctement :
 - ◆ Vérifiez le fonctionnement de la prise murale en y branchant une lampe ou un autre appareil ;
 - ◆ Contrôlez que la prise n'est pas reliée à un interrupteur qui coupe l'alimentation quand l'éclairage est éteint ;
 - ◆ Déplacez le chargeur et le bloc-batterie dans un endroit où la température ambiante est comprise entre environ 18°C et 24°C ;
 - ◆ Si les problèmes de charge persistent, apportez l'outil, le bloc-batterie et le chargeur à votre centre d'assistance local.
- ◆ Le bloc-batterie doit être rechargé lorsqu'il ne parvient plus à fournir la puissance nécessaire aux opérations qui étaient facilement réalisées auparavant. **CESSEZ D'UTILISER** l'outil dans ces conditions. Respectez la procédure de charge. Vous pouvez également recharger un bloc déjà utilisé si vous le souhaitez, sans que cela n'affecte le bloc-batterie.
- ◆ Les corps étrangers de nature conductrice comme notamment et entre autres, les poussières de meulage, les copeaux métalliques, la laine d'acier, les feuilles d'aluminium ou toute autre accumulation de particules métalliques doivent être tenus à distance des cavités du chargeur. Débranchez le chargeur avant de le nettoyer.
- ◆ Ne congelez pas le chargeur et ne l'immergez pas dans l'eau ou dans tout autre liquide.

Installer et retirer la batterie (Fig. D, E)

- ◆ Pour installer la batterie (15), alignez-la avec le réceptacle sur l'outil (22). Glissez la batterie dans le réceptacle et poussez-la jusqu'à ce qu'elle s'enclenche en place.
- ◆ Pour retirer la batterie, poussez le bouton de libération de la batterie (15a) tout en tirant sur la batterie pour la sortir du compartiment, comme illustré par la figure E.

Remplacer une lame de scie ou installer une lame de scie neuve (Fig. G, H, I)

Avertissement ! Afin de réduire tout risque de blessures graves, arrêtez l'outil et retirez le bloc-batterie avant de transporter la scie, d'effectuer des réglages ou de retirer/installer tout équipement ou accessoire. Tout démarrage accidentel peut provoquer des blessures.

Retirer la lame

- ◆ Retirez le bloc-batterie (15) de la scie.
- ◆ Relevez le bras jusqu'à sa position la plus haute et soulevez le carter inférieur (4) aussi loin que possible.
- ◆ Dévissez sans la retirer la vis avant du support du carter de protection (24) jusqu'à ce que le support (25) puisse être soulevé suffisamment pour avoir accès à la vis de la lame (26). Le carter inférieur reste soulevé grâce à la position de la vis de son support.
- ◆ Appuyez sur le bouton de verrouillage de l'axe (28) tout en tournant doucement la lame de scie (29) à la main jusqu'à ce que le verrou s'enclenche.
- ◆ En gardant le bouton enfoncé, utilisez l'autre main et la clé à six pans fournie pour desserrer la vis de la lame (26). (Tournez dans le sens de aiguilles d'une montre, filetage à gauche.)
- ◆ Retirez la vis de la lame (26) avec le côté hexagonal de la clé fournie, la rondelle de la bride extérieure (30) et la lame (29). La rondelle de la bride intérieure (31) peut être laissée sur l'axe (32).

Installer la lame

- ◆ Retirez le bloc-batterie (15) de la scie.
- ◆ Bras relevé, carter inférieur (4) maintenu ouvert et support de carter (25) soulevé, placez la lame (29) sur l'axe (32) et contre la bride intérieure de la lame (31) avec les dents de la lame dirigées dans le sens de rotation tel que marqué sur la scie.
- ◆ Installez la rondelle de la bride extérieure (30) sur l'axe (32).
- ◆ Installez la vis de la lame (26) et, tout en engageant le bouton de verrouillage de l'axe (28), serrez fermement la vis (26) avec la clé fournie. (Tournez dans le sens inverse des aiguilles d'une montre, filetage à gauche).
- ◆ Ramenez le support du carter de protection (25) à sa position d'origine complètement en bas et vissez fermement la vis du support du carter de protection (24) pour maintenir le support en place.

Système de guidage sur la ligne de coupe

Avertissement ! Ne regardez pas directement la source lumineuse. De graves lésions oculaires pourraient en résulter.

Remarque : La batterie doit être rechargée et installée dans la scie à onglet.

Le système de guidage sur la ligne de coupe ne peut être allumé ou éteint qu'au moyen de l'interrupteur de l'éclairage de travail (16).

Pour scier sur une ligne de crayon existante sur une pièce en bois, allumez le système de guidage sur la ligne de coupe à l'aide de l'interrupteur de l'éclairage de travail (16) (et pas avec l'interrupteur principal), abaissez ensuite la poignée de travail (2) pour amener la lame de scie près de l'ouvrage. L'ombre de la lame apparaît sur le bois. Cette ligne d'ombre représente la matière que la lame va retirer pendant la coupe. Pour parfaitement aligner votre coupe avec votre ligne de crayon, alignez la ligne de crayon avec le bord de l'ombre de la lame. Gardez à l'esprit qu'il se peut que vous deviez régler les angles de l'onglet ou de biseau pour qu'ils correspondent exactement à la ligne de crayon. Votre scie intègre une fonction Défaut batterie. L'éclairage de travail se met à clignoter quand la batterie approche la fin de son niveau de charge utile ou si la batterie devient trop chaude. Rechargez la batterie avant de continuer à scier. Consultez la procédure de charge de la section Consignes de sécurité importantes liées aux blocs-batteries pour connaître les consignes liées à la charge.

Contrôle de l'onglet (Fig. J)

Le bouton de verrouillage de l'onglet (5) et le bouton d'enclenchement de l'onglet (6) vous permettent de régler l'angle de votre scie de 47° à droite et de 47° à gauche. L'enclenchement de l'onglet est automatique à 0°, 15°, 22,5°, 31,6° et 45° à gauche comme à droite. Pour régler l'angle de la scie, déverrouillez le mécanisme de verrouillage de l'onglet en tournant le bouton de verrouillage de l'onglet (5) dans le sens inverse des aiguilles d'une montre pour déverrouiller et dans le sens des aiguilles d'une montre pour verrouiller. Tirez le bouton d'enclenchement de l'onglet (6) vers le haut et réglez l'angle voulu sur l'échelle de graduation (8). Bloquez le bouton de verrouillage de l'onglet (5) en tournant dans le sens des aiguilles d'une montre.

Bouton de verrouillage du biseau (Fig. K)

Le verrouillage du biseau vous permet de régler l'angle oblique de la scie à 48° à gauche. Pour ajuster le réglage du biseau, tournez le bouton de verrouillage du biseau (12) dans le sens inverse des aiguilles d'une montre. Pour serrer, tournez le bouton de verrouillage du biseau dans le sens des aiguilles d'une montre.

Attention ! Risque de pincement. Assurez-vous de bien serrer le bouton de verrouillage du biseau avant de régler les corrections d'avance et de vitesse.

Interrupteur à gâchette (Fig. L)

Pour mettre la scie en marche, poussez le levier de verrouillage (17) vers la gauche puis enfoncez l'interrupteur à gâchette (1). La scie fonctionne tant que l'interrupteur est

enfoncé. Laissez la lame atteindre sa pleine vitesse avant de procéder à la coupe. Pour éteindre la scie, relâchez l'interrupteur. Laissez la lame s'arrêter avant de soulever la tête de la scie. Il n'existe pas de moyen de verrouiller l'interrupteur en position de marche. Un trou (1a) existe dans l'interrupteur pour insérer un cadenas pour consigner l'interrupteur.

Votre scie n'a pas de frein de lame électrique automatique mais la lame doit s'arrêter dans un délai de 5 secondes après le relâchement de l'interrupteur. Ce délai n'est pas réglable. Si le délai avant l'arrêt dépasse souvent les 5 secondes, faites réviser votre outil dans un centre d'assistance Stanley FatMax agréé.

Assurez-vous toujours que la lame est arrêtée avant de la sortir du trait de coupe.

Aspiration des poussières (Fig. M)

Avertissement ! Afin de réduire tout risque de blessures graves, éteignez l'outil et retirez le bloc-batterie avant de transporter la scie, d'effectuer des réglages ou de retirer/installer tout équipement ou accessoire. Tout démarrage accidentel peut provoquer des blessures.

Votre scie intègre une prise de raccordement pour l'aspiration des poussières (14) qui permet de raccorder le sac à poussière (35) fourni mais non installé ou un aspirateur du commerce.

Pour installer le sac à poussière

- ◆ Installez le sac à poussière (35) sur le raccord (14) comme illustré par la figure M.
- ◆ Un tuyau d'aspirateur (38 - non fourni) peut être installé sur le raccord d'aspiration des poussières (14) à la place du sac à poussière (35). Cela est réalisable en installant le tuyau de l'aspirateur (38) à la place du sac à poussière (35), voir figure M.
- ◆ Utilisez la bande Velcro (13a) pour maintenir le tuyau d'aspiration (38) loin des rails coulissant (13) pendant le fonctionnement de la scie.

Remarque : La bande Velcro (13a) n'est pas une poignée de transport et elle ne doit pas être utilisée pour déplacer ou transporter la scie.

Pour vider le sac à poussière

- ◆ Retirez le sac à poussière (35) de la scie et secouez-le doucement ou tapotez-le pour le vider.
- ◆ Refixez le sac à poussière sur le raccord (14).

Il se peut que les poussières ne sortent pas librement du sac. Cela n'affecte pas les performances de sciage mais réduit l'efficacité de la récupération des poussières par la scie. Afin de restaurer l'efficacité de récupération des poussières de votre scie, appuyez sur le ressort à l'intérieur du sac à poussière quand vous le videz et tapotez le sac sur le bord de la poubelle ou du réceptacle à poussières.

Avertissement ! Ne faites jamais fonctionner cette scie si le sac à poussière n'est pas en place. Les poussières de bois peuvent engendrer des problèmes respiratoires.

Scier à l'aide de votre scie

Si la fonction coulissante n'est pas utilisée, assurez-vous que la tête de scie est reculée aussi loin que possible et que la vis de verrouillage du rail (18) est bien serrée. Cela permet d'empêcher la scie de glisser le long de ses rails au moment où la pièce à scier est engagée.

Remarque : **NE SCIEZ PAS LES MÉTAUX FERREUX OU LES MATÉRIAUX DE MAÇONNERIE AVEC CETTE SCIE (SEULS LES MÉTAUX NON FERREUX PEUVENT ÊTRE SCIÉS AVEC CETTE SCIE).** N'utilisez pas de lames abrasives.

Remarque : Consultez les informations liées à l'activation du carter et à la visibilité dans la section des réglages pour obtenir d'importantes informations sur le carter de protection inférieur avant d'effectuer une coupe.

Coupes transversales (Fig. N)

Une coupe transversale est une coupe qui traverse le grain du bois à n'importe quel angle. Une coupe transversale droite est réalisée avec le bras d'onglet positionné à zéro degré. Réglez et verrouillez le bras d'onglet à zéro, maintenez fermement le bois sur le plateau et contre la garde. Après avoir serré la vis de verrouillage du rail (18), allumez la scie en appuyant sur l'interrupteur à gâchette (1).

Lorsque la scie atteint son plein régime (après env. 1 seconde), abaissez doucement et lentement le bras pour scier à travers le bois. Laissez la lame s'arrêter complètement avant de relever le bras.

Lorsque vous sciez quelque pièce que ce soit dépassant 2 x 4 (51 x 102), utilisez un mouvement extérieur-bas-arrière avec le vis de verrouillage du rail (18) desserrée. Tirez la scie à vers l'extérieur, vers vous, abaissez la tête de scie vers l'ouvrage et repoussez la scie vers l'arrière pour terminer la coupe. Ne laissez pas la lame de scie entrer en contact avec le sommet de la pièce à scier au moment de la traction. La scie pourrait vous atteindre et vous blesser ou endommager l'ouvrage.

Avertissement ! Utilisez toujours un dispositif d'attache pour garder le contrôle et réduire le risque d'endommager l'ouvrage et de vous blesser, si vos mains doivent être à 152 mm (6") de la lame pendant la coupe.

Remarque ! La vis de verrouillage du rail (18) doit être desserrée pour permettre à la scie de glisser le long de ses rails.

Les coupes transversales d'onglet sont effectuées avec le bras de l'onglet réglé à un angle autre que zéro.

Cet angle est souvent de 45° pour couper des coins, mais il peut être défini à n'importe quelle valeur entre zéro et 47° à gauche ou 47° à droite. Procédez à la coupe comme décrit ci-dessus.

Lorsque vous réalisez une coupe d'onglet sur des pièces plus larges que 2 x 6 mais plus courtes en longueur, placez toujours le côté le plus long contre la garde (Fig. N).

Pour scier selon une ligne de crayon existante sur un morceau de bois, faites correspondre l'angle le mieux possible. Sciez le bois un peu plus long et mesurez la distance entre la ligne de crayon et le bord de coupe pour déterminer dans quelle direction régler l'angle avant de recouper. Cela demande de la pratique mais il s'agit d'une technique couramment utilisée.

Coupes en biseau

Une coupe en biseau est une coupe transversale effectuée avec la lame de scie inclinée à un certain angle par rapport au bois. Afin de régler l'angle du biseau, dévissez le bouton de verrouillage du biseau (12) et déplacez la scie vers la gauche comme voulu. Une fois l'angle de biseau voulu atteint, serrez fermement le bouton de verrouillage du biseau. Les angles de biseau peuvent être réglés de 3° à 48° à gauche.

Qualité de la coupe

L'uniformité de n'importe quelle coupe dépend d'un certain nombre de variables. Des choses comme la matière à scier, le type de lame, l'affûtage de la lame et la cadence de la coupe contribuent toutes à la qualité de la coupe. Lorsque des coupes plus uniformes sont souhaitées, notamment pour des moulures ou d'autres travaux de précision, une lame affûtée (60 dents en carbure) et une vitesse de coupe plus faible et plus régulière permettent d'atteindre le résultat souhaité.

Assurez-vous que la pièce à scier ne bouge pas et ne dévie pas durant la coupe ; fixez-la solidement en position.

Laissez toujours la lame s'arrêter complètement avant de relever le bras.

Si de petites fibres de bois se détachent de l'arrière de l'ouvrage, collez un morceau de ruban de masquage sur le bois à l'endroit où la coupe doit être réalisée. Sciez à travers le ruban et retirez-le soigneusement une fois l'opération terminée.

En fonction des différentes opérations de sciage, consultez la liste des lames de scie recommandées pour votre scie et choisissez celle qui est le mieux adaptée à vos besoins. Consultez la section Lames de scie dans Accessoires en option.

Position du corps et des mains (Fig. O1-O4)

Le bon positionnement de votre corps et de vos mains lors de l'utilisation de la scie à onglet facilite et améliore la précision et la sécurité. Ne placez jamais vos mains près de la zone de coupe. Ne placez pas vos mains à moins de 6" (152 mm) de la lame. Tenez fermement la pièce à scier contre le plateau et la garde pendant la coupe. Gardez vos mains en position tant

que la gâchette n'a pas été relâchée et que la lame ne s'est pas complètement arrêtée.

EFFECTUEZ TOUJOURS DES ESSAIS À VIDE (MACHINE ÉTEINTE) AVANT DE RÉALISER VOS COUPES FINALES AFIN DE VÉRIFIER LE PARCOURS DE LA LAME. NE CROISEZ PAS LES MAINS, COMME ILLUSTRÉ PAR LA FIGURE Q3.

Gardez vos deux pieds fermement ancrés au sol et conservez votre équilibre. Lorsque vous déplacez le bras d'onglet vers la gauche ou la droite, suivez-le et tenez-vous légèrement sur le côté de la lame de la scie. Regardez à travers les ajours du carter pour suivre la ligne de crayon.

Fixer la pièce à scier

Avertissement ! Afin de réduire tout risque de blessures graves, éteignez l'outil et retirez le bloc-batterie avant de transporter la scie, d'effectuer des réglages ou de retirer/installer tout équipement ou accessoire. Tout démarrage accidentel peut provoquer des blessures.

Avertissement ! Une pièce attachée, équilibrée et sécurisée avant une coupe peut être déséquilibrée après avoir été sciée. Une charge mal équilibrée peut faire basculer la scie ou le support sur lequel la scie est fixée, comme un plateau ou un établi. Lorsque vous effectuez une coupe qui peut créer un déséquilibre, soutenez correctement la pièce à scier et assurez-vous que la scie est fermement boulonnée à une surface stable. Il existe sinon un risque de blessure.

Avertissement ! Le pied de la bride doit être encastré au-dessus de la base de la scie chaque fois que la bride est utilisée. Fixez toujours la pièce à scier sur la base de la scie et non sur une autre partie de la zone de travail. Assurez-vous que le pied de la bride n'est pas fixé au bord de la base de la scie.

Avertissement ! Utilisez toujours un dispositif d'attache pour garder le contrôle et réduire le risque d'endommager l'ouvrage et de vous blesser, si vos mains doivent être à 152 mm (6") de la lame pendant la coupe. Si vous ne pouvez pas sécuriser l'ouvrage sur le plateau ou contre la garde à la main (forme irrégulière, etc) ou que vos mains doivent être à moins de 6" (152 mm) de la lame, vous devez utiliser une bride ou un autre moyen de fixation.

Utilisez la bride pour pièce fournie avec la scie. Pour acheter une bride pour pièce, contactez votre revendeur local ou votre centre d'assistance Stanley FatMax.

D'autres accessoires tels que des pinces à ressort, des brides de serrage ou des brides en C peuvent être utiles en fonction de la taille et de la forme des pièces. Soyez prudent dans le choix et dans l'utilisation de ces brides. Prenez le temps de d'effectuer une coupe à vide avant la coupe finale.

Pour installer la bride (Fig. P)

- ◆ Insérez la bride (37) dans le trou (19) derrière la garde. La bride doit pointer vers l'arrière de la scie à onglet. La rainure sur la tige de la bride doit être complètement insérée dans la base. Assurez-vous que cette rainure est complètement insérée dans la base de la scie à onglet. Si la rainure est visible, cela signifie que la bride est mal fixée.
- ◆ Tournez la bride de 180° vers l'avant de la scie à onglet.
- ◆ Desserrez le bouton pour régler la bride vers le haut ou le bas, puis utilisez le bouton de réglage de précision pour fixer solidement l'ouvrage.

Remarque : Placez la bride sur le côté opposé à la base pour les coupes en biseau. EFFECTUEZ TOUJOURS DES ESSAIS À VIDE (MACHINE ÉTEINTE) AVANT DE RÉALISER VOS COUPES AFIN DE VÉRIFIER LE PARCOURS DE LA LAME. ASSUREZ-VOUS QUE LA BRIDE NE GÊNE PAS LE FONCTIONNEMENT DE LA SCIE OU DES CARTERS DE PROTECTION.

Réglages

Votre scie à onglets est réglée intégralement et avec précision en usine au moment de la fabrication. Si un nouveau réglage est nécessaire en raison du transport et de la manutention ou de toute autre raison, respectez les instructions ci-dessous pour régler la scie.

Une fois effectués, ces ajustements devraient rester précis. Prenez le temps de respecter soigneusement ces directives pour conserver la précision dont est capable votre scie.

Régler l'échelle de graduation de l'onglet (Fig. Q1)

Verrouillez le bras en position basse. Déverrouillez le bouton de verrouillage de l'onglet (5) et faites tourner le bras de l'onglet jusqu'à ce que le bouton d'enclenchement de l'onglet (6) se verrouille sur la position 0°. Ne bloquez pas le bouton de verrouillage de l'onglet. Placez une équerre contre la garde de la scie et la lame, comme illustré. (Ne touchez pas la pointe des dents de la lame avec l'équerre. Les mesures seront sinon inexactes.) Si la lame de scie n'est pas parfaitement perpendiculaire à la garde, desserrez et déplacez la garde jusqu'à ce que la lame soit perpendiculaire, tel que mesuré à l'équerre. Ne faites pour l'instant pas attention à la valeur lue sur le pointeur de l'échelle de graduation de l'onglet.

Régler le biseau perpendiculaire au plateau (Fig. Q2)

Pour régler la lame perpendiculaire au plateau, verrouillez le bras en position basse à l'aide de la goupille de verrouillage en position basse (20). Placez une équerre contre la lame en prenant soin que l'équerre ne repose pas sur les dents de la scie. Desserrez le bouton de verrouillage du biseau (5) et assurez-vous que le bras est fermement appuyé contre le 0°

de la butée du biseau. Tournez la vis de réglage du biseau à 0° avec une douille 1/2" (12,7 mm) (non fournie) autant que nécessaire pour que la lame soit inclinée à 0° par rapport au plateau, tel que mesuré à l'aide d'une équerre.

Enclenchement du carter de protection et visibilité (Fig. V)

Avertissement ! Risque de pincement. Afin de réduire le risque de blessure, gardez votre pouce sous la poignée de travail lorsque vous abaissez cette dernière. Le carter inférieur se relève au fur et à mesure que la poignée de travail est abaissée, vous pourriez vous pincer.

Le carter de protection inférieur (4) de votre scie est conçu pour automatiquement découvrir la lame lorsque le bras est abaissé et pour recouvrir la lame lorsque le bras est relevé. Avant chaque utilisation ou après des réglages, faites fonctionner le bras (machine éteinte) et assurez-vous que le carter s'ouvre librement et qu'il se referme complètement. Il ne doit pas entrer en contact avec la lame. Bras relevé, soulevez le carter (machine éteinte) comme illustré par la figure V, puis relâchez-le. Le carter doit rapidement se refermer complètement.

N'utilisez pas la scie si le carter inférieur ne se déplace pas librement et qu'il ne se referme pas instantanément. Ne fixez et n'attachez pas le carter en position ouverte lorsque vous utilisez la scie.

Le carter de protection peut être relevé à la main pour l'installation ou le retrait des lames de scie ou pour procéder à l'inspection de la scie.

NE RELEVEZ JAMAIS LE CARTER DE PROTECTION INFÉRIEUR À LA MAIN, TANT QUE LA LAME N'EST PAS À L'ARRÊT.

Remarque : Certaines coupes particulières de pièces larges nécessitent de relever manuellement le carter. Consultez la section Scier de grandes pièces dans Coupes particulières. La partie avant du carter est ajourée pour permettre une bonne visibilité pendant la coupe. Bien que le carter réduise considérablement la projection de débris, il comporte des ajours et le port de lunettes de protection est obligatoire en permanence.

Rail de guidage

Contrôlez régulièrement l'absence de jeu dans les rails (13). Les rails peuvent être nettoyés à l'aide d'un chiffon sec.

Découpe d'encadrements, de boîtes cadres ou de tout autre objet à quatre côtés (Fig. R1, R2)

Pour mieux comprendre la façon de réaliser les éléments listés ici, nous vous suggérons de faire des essais avec des projets simples en utilisant du bois de chute jusqu'à ce que vous "ressentiez" correctement votre scie.

Votre scie est l'outil parfait pour réaliser des coins à l'onglet comme illustré par la figure R1. Le schéma A de la figure R2 illustre un assemblage réalisé en utilisant le réglage du biseau pour biseauter les bords de deux planches à 45° chacun afin de créer un angle à 90°. Pour cet assemblage, le bras de l'onglet est verrouillé en position zéro et le réglage du biseau est verrouillé à 45°. Le bois a été placé avec le large côté plat contre le plateau et le bord étroit contre la garde. La même coupe peut être réalisée par une coupe à onglet à droite et à gauche avec la surface large contre la garde.

Découpe de moulures d'ornement et d'autres cadres (Fig. R2)

Le schéma B de la figure R2 illustre un assemblage réalisé en réglant le bras d'onglet à 45° pour couper à l'onglet les deux planches afin de former un coin à 90°. Pour réaliser ce type d'assemblage, réglez le biseau sur zéro et le bras d'onglet sur 45°. Une fois encore, positionnez le bois avec le large côté plat contre le plateau et le bord étroit contre la garde. Les figures S1 et R2 ne concernent que les objets à quatre côtés.

Lorsque le nombre de côtés change, les angles d'onglet et de biseau changent aussi. Le tableau ci-dessous indique les angles appropriés en fonction des différentes formes.

Exemples

| Nombre de côtés | Angle de l'onglet ou du biseau |
|-----------------|--------------------------------|
| 4 | 45° |
| 5 | 36° |
| 6 | 30° |
| 7 | 25,7° |
| 8 | 22,5° |
| 9 | 20° |
| 10 | 18° |

Le tableau considère que tous les côtés sont de même longueur. Pour réaliser une forme qui n'apparaît pas dans le tableau, utilisez la formule suivante : 180° divisé par le nombre de côtés = l'angle d'onglet (si la pièce est sciée à la verticale) ou l'angle de biseau (si la pièce est sciée à plat).

Découpe à onglet combinée (Fig. R3)

Une découpe à onglet combinée est une découpe utilisant un angle d'onglet et un angle de biseau en même temps. C'est le type de coupe utilisé pour fabriquer des cadres ou des boîtes dont les côtés sont inclinés, comme illustré par la Figure S3.

Remarque : Si l'angle de coupe varie d'une coupe à l'autre, vérifiez que le bouton de verrouillage du biseau et la poignée de verrouillage de l'onglet sont bien serrées. Ces éléments doivent être resserrés après chaque réglage d'onglet ou de

biseau. Le tableau à la fin de ce manuel (Tableau 1) vous aide à choisir les réglages d'onglet et de biseau appropriés pour des coupes à onglet combinées classiques. Pour utiliser le tableau, sélectionnez l'angle A souhaité (Fig. R3) pour votre projet et recherchez cet angle sur la courbe correspondante dans le tableau. Tracez un trait vertical à partir de ce point pour lire l'angle de biseau adéquat et un trait horizontal pour lire l'angle d'onglet adéquat.

Réglez votre scie sur les angles prescrits et effectuez quelques coupes d'essai. Entraînez-vous à ajuster les pièces découpées jusqu'à ce que vous soyez familiarisé avec cette procédure et que vous la maîtrisiez.

Exemple : Pour fabriquer une boîte à quatre côtés avec des angles extérieurs à 26° (Angle A, Fig. R3), utilisez la courbe supérieure de droite. Trouvez la valeur 26° sur l'échelle de la courbe. Suivez la ligne horizontale d'un côté ou de l'autre pour obtenir le réglage de l'onglet sur la scie (42°). Suivez de même la ligne verticale d'intersection vers le bas ou vers le haut pour obtenir le réglage du biseau pour la scie (18°). Réalisez toujours des coupes tests sur quelques chutes pour contrôler le réglage de la scie.

Découpe de moulures d'embase (Fig. S)

Coupes droites à 90° :

Placez le bois contre la garde et maintenez-le en place comme illustré par la figure S. Allumez la scie, laissez la lame atteindre sa pleine vitesse et abaissez le bras sans à-coups à travers la pièce.

Découpe de moulures d'embase jusqu'à 3,5" (90 mm) de haut à la verticale contre la garde

Placez la pièce comme illustré par la figure S. Toutes les découpes doivent être réalisées l'arrière de la moulure placée contre la garde et le bas de la moulure contre le plateau.

| | Coin intérieur | Coin extérieur |
|-------------|---|--|
| Côté gauche | Onglet gauche 45° Côté gauche de la coupe conservé | Onglet droit 45° Côté gauche de la coupe conservé |
| Côté droit | Onglet droit 45° Côté droit de la coupe conservé | Onglet gauche 45° Côté droit de la coupe conservé |

Les pièces jusqu'à 3,5" (90 mm) peuvent être coupées comme indiqué ci-dessus.

Découpe de moulures en couronne

Afin de s'adapter correctement, les moulures en couronne doivent être découpées à l'onglet de façon combinée et avec une précision extrême.

Les deux surfaces plates d'une pièce de moulure en couronne sont à des angles qui, en les additionnant, créent un angle exact à 90°. La plupart des moulures à couronne, mais pas

toutes, ont un angle arrière supérieur (la partie qui repose à plat contre le plafond) de 52° et un angle arrière inférieur (la partie qui repose à plat contre le mur) de 38°.

Votre scie à onglet comporte des crans de réglage d'onglet prédéfinis à 31,6° à gauche et à droite afin de découper des moulures en couronne au bon angle. Un repère est également présent à 33,8° sur l'échelle de graduation du biseau.

Le réglage/type de biseau du tableau Découpe indique les bons réglages pour la découpe de moulures à couronne. (Les éléments de réglage de l'onglet et du biseau sont très précis et ils ne sont pas faciles à paramétrer sur votre scie.) Les angles de la plupart des pièces n'étant pas exactement à 90°, il est de toute façon nécessaire d'affiner vos réglages.

Instructions pour la découpe de moulures à couronne reposant à plat en utilisant les fonctions combinées

- ◆ Posez la moulure, large surface arrière à plat sur le plateau de la scie (36) (Fig. T1).
- ◆ Les réglages ci-dessous concernent des moulures à couronne courantes à angles de 52° et 38°.

| Réglage du biseau | Type de coupe |
|-------------------|---|
| 33,8° | CÔTÉ GAUCHE, COIN INTÉRIEUR : 1. Haut de la moulure contre la garde 2. Réglage onglet droit 31,62° 3. Extrémité gauche de la coupe conservée |
| 33,8° | CÔTÉ DROIT, COIN INTÉRIEUR : 1. Bas de la moulure contre la garde 2. Réglage onglet gauche 31,62° 3. Extrémité gauche de la coupe conservée |
| 33,8° | CÔTÉ GAUCHE, COIN EXTÉRIEUR : 1. Bas de la moulure contre la garde 2. Réglage onglet gauche 31,62° 3. Extrémité droite de la coupe conservée |
| 33,8° | CÔTÉ DROIT, COIN EXTÉRIEUR : 1. Haut de la moulure contre la garde 2. Réglage onglet droit 31,62° 3. Extrémité droite de la coupe conservée |

Remarque : Lors du réglage des angles de biseau et d'onglet pour les coupes combinées, n'oubliez pas que les angles visibles des moulures en couronne sont très précis et difficiles à régler avec précision. Du fait qu'ils peuvent facilement se décaler légèrement et que très peu de pièces disposent d'angles à 90° très précis, tous les réglages doivent être testés sur des chutes.

Méthode alternative pour découper des moulures à couronne

Placez la moulure inclinée entre la garde (11) et le plateau de la scie (36), côté supérieur de la moulure sur le plateau et côté inférieur de la moulure sur la garde, comme illustré par la figure T1.

L'avantage à procéder ainsi pour la découpe de moulures à couronne est qu'une coupe en biseau n'est pas nécessaire. Des modifications de dernières minutes peuvent être apportées à l'angle d'onglet sans affecter l'angle de biseau.

De cette manière, si les coins sont à un autre angle que 90°, il est possible d'ajuster rapidement et facilement la scie en conséquence.

Instructions pour la découpe de moulures en couronne inclinées entre la garde et la base de la scie pour toutes les coupes

Cette scie peut découper des moulures en couronne emboîtées jusqu'à 9/16" (14 mm) x 3-5/8" (92 mm).

- ◆ Orientez la moulure de sorte que le bas de cette dernière (la partie apposée contre le mur une fois installée) se trouve contre la garde (11) et que le haut de cette dernière repose sur le plateau de la scie (36), comme illustré par la figure T2.
- ◆ Les "plats" courbes à l'arrière de la moulure doivent reposer à l'équerre sur la garde et le plateau de la scie (36).

| | Coin intérieur | Coin extérieur |
|-------------|---|--|
| Côté gauche | Onglet droit à 45° Côté droit de la coupe conservé | Onglet gauche à 45° Côté droit de la coupe conservé |
| Côté droit | Onglet gauche à 45° Côté gauche de la coupe conservé | Onglet droit à 45° Côté gauche de la coupe conservé |

Découpes spéciales

N'effectuez jamais aucune découpe si la pièce n'est pas maintenue en place sur le plateau et contre la garde.

Pièces voilées (Fig. U1, U2)

Pour scier des pièces voilées/courbes, positionnez-les toujours comme illustré par la figure U1 et jamais comme illustré par la figure U2. Si vous ne positionnez pas la pièce à scier correctement, le risque de coincement de la lame à la fin de la coupe est augmenté.

Découpe de pièces rondes

Les pièces rondes doivent être fixées ou sanglées contre la garde pour les empêcher de rouler. Cela est extrêmement important pour les découpes à angle.

Découpe de grandes pièces (Fig. V)

De temps à autre, vous serez confronté à une pièce de bois légèrement trop grande pour passer sous le carter de protection inférieur. Pour retirer le carter du bois, scie éteinte et main droite sur la poignée de travail, placez votre pouce droit à l'extérieur de la partie supérieure du carter et faites rouler le carter vers le haut juste suffisamment pour libérer le bois, comme illustré par la figure V. Relâchez le carter de protection avant de démarrer le moteur. Le mécanisme du carter pourra alors correctement fonctionner pendant la coupe. Ne procédez ainsi qu'en cas d'absolue nécessité.

N'ATTACHEZ, NE SCOTCHEZ ET NE RETENEZ JAMAIS LE CARTER DE PROTECTION EN POSITION OUVERTE LORSQUE VOUS UTILISEZ LA SCIE.

Maintenance

Avertissement ! Afin de réduire tout risque de blessures graves, arrêtez l'outil et retirez le bloc-batterie avant de transporter la scie, d'effectuer des réglages ou de retirer/installer tout équipement ou accessoire. Tout démarrage accidentel peut provoquer des blessures.

Avertissement ! Afin de réduire les risques de blessure grave, NE touchez PAS les zones tranchantes de la lame avec vos doigts ou vos mains pendant les opérations de maintenance.

N'UTILISEZ PAS de lubrifiants ou de produits de nettoyage (notamment en spray) à proximité du carter de protection en plastique. Le polycarbonate utilisé pour le carter de protection peut être attaqué par certains produits chimiques.

- ◆ Tous les roulements sont étanches. Ils sont lubrifiés à vie et ne nécessitent aucune maintenance.
- ◆ Nettoyez régulièrement la poussière et les copeaux de bois autour ET SOUS la base et le plateau tournant. Même si des fentes servent à laisser passer les débris, la poussière peut s'accumuler.
- ◆ Les balais sont conçus pour permettre plusieurs années d'utilisation. S'ils devaient être remplacés, retournez l'outil dans le centre d'assistance le plus proche.

Dépannage

| Problème | Cause possible | Solution |
|---|---|---|
| La scie ne démarre pas. | La batterie n'est pas installée. | Installez la batterie. Consultez la section Installer et retirez le bloc-batterie. |
| | La batterie n'est pas chargée. | Rechargez la batterie. Consultez la procédure de charge. |
| | Balais usés | Faites remplacer les balais dans un centre d'assistance agréé. |
| Les coupes faites par la scie ne sont pas satisfaisantes. | Lame émoussée. | Remplacez la lame. Consultez la section Remplacer la lame de scie ou installer une lame de scie neuve. |
| | Lame montée à l'envers. | Retournez la lame. Consultez la section Remplacer la lame de scie ou installer une lame de scie neuve. |
| | Gomme ou sciure de bois durcie sur la lame. | Retirez la lame et nettoyez-la avec de la laine d'acier et de la térébenthine ou un nettoyant pour four domestique. |
| | Lame mal adaptée au travail à réaliser. | Changez de type de lame. |
| L'éclairage de travail clignote. | La batterie n'est pas chargée | Rechargez la batterie. Consultez la procédure de charge. |

| Problème | Cause possible | Solution |
|---|---|---|
| La machine vibre excessivement. | La scie n'est pas fixée correctement sur son support ou l'établi. | Serrez tous les éléments de fixation. Consultez la section Installation sur un établi |
| | Support ou établi sur une surface irrégulière. | Repositionnez sur une surface de niveau. |
| | Lame de scie endommagée. | Remplacez la lame. Consultez la section Remplacer la lame de scie ou installer une lame de scie neuve. |
| Les découpes à l'onglet ne sont pas précises. | L'échelle graduée de l'onglet n'est pas correctement réglée. | Contrôlez et réglez. Consultez la section Régler l'échelle de graduation de l'onglet dans Réglages. |
| | La lame n'est pas perpendiculaire à la garde. | Contrôlez et réglez. Consultez la section Régler l'échelle de graduation de l'onglet dans Réglages. |
| | La lame n'est pas perpendiculaire au plateau. | Contrôlez et réglez la garde. Consultez Régler l'échelle de graduation de l'onglet dans Réglages. |
| | L'ouvrage a bougé | Sanglez l'ouvrage fermement contre la garde ou collez du papier abrasif grain 120 sur la garde à l'aide de colle au caoutchouc. |
| | Plaque de saignée usée ou endommagée. | Apportez-la dans un centre d'assistance agréé. |
| La matière pince la lame. | Découpe de pièce voilée. | Consultez la section Pièce voilée dans Coupes spéciales. |

Protection de l'environnement



Tri sélectif. Les produits et batteries marqués de ce symbole ne doivent pas être jetés avec les déchets ménagers.

Les produits et batteries contiennent des matières qui peuvent être récupérées et recyclées afin de réduire la demande en matières premières.

Veillez à recycler les produits électriques et les piles et batteries conformément aux dispositions locales en vigueur. Plus d'informations sont disponibles sur le site www.2helpU.com

Caractéristiques techniques

| FMCS701 (H1) | | |
|-------------------------------|------|-------|
| Tension | V | 18 |
| Vitesse | /min | 3,800 |
| Diamètre extérieur de la lame | mm | 190 |
| Diamètre de l'alésage | mm | 16 |
| Trait de lame maxi | mm | 1,8 |
| Poids sans batterie | kg | 10 |
| Épaisseur de lame | mm | 1,0 |
| Onglet (positions maxi) | ° | 47 |
| Biseau (positions maxi) | ° | 47 |

| | | | |
|-------------------------|------------|----|----------|
| Onglet 0 degré | horizontal | mm | 50 x 216 |
| | vertical | mm | 90 x 15 |
| Onglet droit 45 degrés | horizontal | mm | 50 x 152 |
| | vertical | mm | 90 x 15 |
| Onglet gauche 45 degrés | horizontal | mm | 50 x 152 |
| | vertical | mm | 90 x 15 |
| Biseau gauche 45 degrés | horizontal | mm | 50 x 152 |
| | vertical | mm | 50 x 15 |

| | | | |
|-------------------------------|-----------------|-----------------|-----------------|
| Chargeur | | 905998** typ. 1 | 906086** typ. 1 |
| Tension d'entrée | V _{AC} | 230 | 230 |
| Tension de sortie | V _{DC} | 18 | 18 |
| Courant de sortie | A | 1 | 2 |
| Durée de charge approximative | min | 90 - 240 | 45 - 120 |

| | | | | |
|----------|-----------------|---------|---------|---------|
| Batterie | | FMC689L | FMC687L | FMC688L |
| Voltage | V _{DC} | 18 | 18 | 18 |
| Tension | Ah | 1,5 | 2,0 | 4,0 |
| Capacité | | Li-Ion | Li-Ion | Li-Ion |

| | | | | |
|--|--|--|--|--|
| Niveau de pression sonore selon la norme EN 62841 : | | | | |
| L _{PA} (pression sonore) 83,0 dB(A), Incertitude (K) 3 dB(A) | | | | |
| L _{WA} (puissance sonore) 94,5 dB(A), Incertitude (K) 3 dB(A) | | | | |

Déclaration de conformité CE

DIRECTIVES MACHINES



FMCS701 Scie à onglet combinée coulissante

Stanley Europe déclare que les produits décrits dans les "Caractéristiques techniques" sont conformes aux normes : EN62841-1:2015, EN62841-3-9:2015+A11:2017

Ces produits sont également conformes aux Directives 2006/42/CE, 2014/30/UE et 2011/65/UE.

Pour plus de détails, veuillez contacter Stanley Fat Max à l'adresse suivante ou vous reporter au dos du manuel.

Le soussigné est responsable de la compilation de la documentation technique et fait cette déclaration au nom de Stanley Fat Max.

Ray Laverick
Directeur Ingénierie
Stanley Fat Max Europe, 210 Bath Road, Slough,
Berkshire, SL1 3YD Royaume-Uni
28/06/2018

Garantie

Stanley Fat Max est sûr de la qualité de ses produits et offre une garantie de 12 mois aux utilisateurs, à partir de la date d'achat. Cette garantie s'ajoute à vos droits légaux auxquels elle ne porte aucunement préjudice. Cette garantie est valable au sein des territoires des États membres de l'Union Européenne et au sein de la Zone européenne de libre-échange.

Pour prétendre à la garantie, la réclamation doit être en conformité avec les conditions générales de Stanley Fat Max et vous devez fournir une preuve d'achat au vendeur ou au réparateur agréé. Les conditions générales de la garantie de 1 an de Stanley Europe ainsi que l'adresse du réparateur agréé le plus proche sont disponibles sur le site Internet www.2helpU.com ou en contactant votre agence Stanley Europe locale à l'adresse indiquée dans ce manuel.

Accédez à notre site Internet www.stanley.eu/3 pour enregistrer votre nouveau produit Stanley Fat Max et être informé des nouveaux produits et des offres spéciales.

Uso previsto

La troncatrice radiale scorrevole Stanley Fat Max FMCS701 è stata progettata per segare solo legno, plastica e metalli non ferrosi. Questo utensile è stato progettato per uso professionale e privato e per utenti non professionisti.

Istruzioni di sicurezza

Avvertenze di sicurezza generali per gli elettro-utensili



Avvertenza! Leggere attentamente tutte le avvertenze, istruzioni, illustrazioni e specifiche fornite con l'elettro-utensile. La mancata osservanza delle avvertenze e istruzioni elencate di seguito potrebbe dar luogo a scosse elettriche, incendi e/o infortuni gravi.

Conservare tutte le avvertenze e le istruzioni per consultazioni successive. Il termine "elettro-utensile" che ricorre in tutte le avvertenze seguenti si riferisce ad utensili elettrici con o senza filo.

1. Sicurezza nell'area di lavoro

- a. **Mantenere pulita e bene illuminata l'area di lavoro.** Gli ambienti disordinati o scarsamente illuminati favoriscono gli incidenti.
- b. **Evitare di usare gli elettro-utensili in ambienti esposti a rischio di esplosione, ad esempio in presenza di liquidi, gas o polveri infiammabili.** Gli elettro-utensili generano scintille che possono incendiare le polveri o i fumi.
- c. **Tenere lontani bambini e altre persone presenti mentre si usa un elettro-utensile.** Eventuali distrazioni possono provocare la perdita di controllo dello stesso.

2. Sicurezza elettrica

- a. **Le spine elettriche degli elettro-utensili devono essere adatte alla presa. Non modificare la spina in alcun modo. Non utilizzare spine con adattatore con gli elettro-utensili dotati di messa a terra.** Per ridurre il rischio di scossa elettrica evitare di modificare le spine e utilizzare sempre le prese di corrente appropriate.
- b. **Evitare il contatto fisico con superfici collegate a terra, come tubi, radiatori, forni e frigoriferi.** Se il proprio corpo è collegato a terra, il rischio di scosse elettriche aumenta.
- c. **Non esporre gli elettro-utensili alla pioggia o all'umidità.** Se entra dell'acqua all'interno dell'elettro-utensile, il rischio di scosse elettriche aumenta.
- d. **Non utilizzare il cavo di alimentazione in modo improprio. Non spostare, tirare o scollegare mai l'elettro-utensile tirandolo dal cavo. Tenere il cavo di alimentazione lontano da fonti di calore, olio, bordi**

taglienti o parti in movimento. Se il cavo di alimentazione è danneggiato o impigliato, il rischio di scossa elettrica aumenta.

- e. **Se l'elettro-utensile viene utilizzato all'aperto, usare esclusivamente prolunghie omologate per l'impiego all'esterno.** L'uso di un cavo di alimentazione adatto ad ambienti esterni riduce il rischio di scossa elettrica.
 - f. **Se non è possibile evitare di lavorare in una zona umida, usare una rete elettrica protetta da un interruttore differenziale (RCD).** L'uso di un interruttore differenziale riduce il rischio di scossa elettrica.
- #### 3. Sicurezza delle persone
- a. **È importante concentrarsi su ciò che si sta facendo e maneggiare con giudizio l'elettro-utensile. Non utilizzare un elettro-utensile quando si è stanchi o sotto l'effetto di droghe, alcool o medicinali.** Un solo attimo di distrazione durante l'uso dell'elettro-utensile potrebbe provocare gravi lesioni personali.
 - b. **Usare dispositivi di protezione individuale. Indossare sempre dispositivi di protezione per gli occhi.** L'uso di dispositivi di protezione, quali mascherine antipolvere, scarpe antinfortunistiche antiscivolo, elmetti o protezioni auricolari in condizioni opportune consente di ridurre le lesioni personali.
 - c. **Impedire l'avviamento involontario. Accertarsi che l'interruttore di accensione sia nella posizione di spegnimento, prima di collegare l'elettro-utensile alla rete elettrica e/o alla batteria, di prenderlo in mano o di trasportarlo.** Per non esporsi al rischio di incidenti, non trasportare l'elettro-utensile tenendo le dita sull'interruttore di accensione e non collegarlo a una fonte di alimentazione elettrica con l'interruttore acceso.
 - d. **Prima di accendere un elettro-utensile, rimuovere gli eventuali utensili o chiavi di regolazione.** Un utensile di regolazione o una chiave inserito/a su una parte rotante dell'elettro-utensile può provocare lesioni alle persone.
 - e. **Non sbilanciarsi. Mantenere sempre un appoggio e un equilibrio adeguati.** In tal modo è possibile avere un migliore controllo dell'elettro-utensile nelle situazioni impreviste.
 - f. **Vestirsi adeguatamente. Non indossare abiti lenti o gioielli. Tenere i capelli, i vestiti e i guanti lontani dalle parti mobili.** Abiti larghi, gioielli o capelli lunghi possono impigliarsi nelle parti in movimento.
 - g. **Se gli elettro-utensili sono provvisti di attacchi per il collegamento di dispositivi di aspirazione o di raccolta della polvere, assicurarsi che questi siano installati e utilizzati correttamente.** L'impiego di dispositivi di raccolta delle polveri può ridurre i pericoli legati a queste ultime.
 - h. **Non lasciare che la familiarità acquisita dall'uso frequente degli utensili induca a cedere alla tentazione**

di ignorare i principi di utilizzo sicuro degli stessi.

Un'azione imprudente potrebbe provocare lesioni gravi in una frazione di secondo.

4. Uso e cura dell'elettrotensile

- a. **Non sovraccaricare l'elettrotensile. Utilizzare l'elettrotensile adatto per il lavoro da eseguire.**
L'elettrotensile corretto funziona meglio e in modo più sicuro, se utilizzato alla velocità per cui è stato progettato.
- b. **Non utilizzare l'elettrotensile se l'interruttore di accensione/spengimento è difettoso.** Qualsiasi elettrotensile che non possa essere controllato tramite l'interruttore è pericoloso e deve essere riparato.
- c. **Scollegare la spina dalla presa di corrente e/o la batteria dall'elettrotensile prima di regolarlo, sostituirne gli accessori o riporlo in magazzino.**
Queste misure di sicurezza preventive riducono il rischio di azionare accidentalmente l'elettrotensile.
- d. **Quando non vengono usati, gli elettrotensili devono essere custoditi fuori dalla portata dei bambini. Non consentire l'uso dell'elettrotensile a persone inesperte o che non abbiano letto le presenti istruzioni d'uso.** Gli elettrotensili sono pericolosi in mano a persone inesperte.
- e. **Sottoporre gli elettrotensili e gli accessori a regolare manutenzione. Verificare che le parti mobili siano correttamente allineate e non inceppate, che non vi siano componenti rotti e che non sussistano altre condizioni che possono compromettere il funzionamento dell'elettrotensile. Se danneggiato, far riparare l'elettrotensile prima dell'uso.** Molti incidenti sono provocati da elettrotensili non sottoposti a corretta manutenzione.
- f. **Mantenere affilati e puliti gli utensili da taglio.** La manutenzione corretta degli utensili da taglio con bordi affilati riduce le probabilità di inceppamento e ne facilita il controllo.
- g. **Utilizzare l'elettrotensile, gli accessori, le punte, ecc. in conformità alle presenti istruzioni, tenendo conto delle condizioni operative e del lavoro da eseguire.** L'utilizzo dell'elettrotensile per impieghi diversi da quelli previsti può dare luogo a situazioni di pericolo.
- h. **Mantenere le impugnature e le superfici di presa asciutte, pulite e senza tracce di olio o grasso.** Impugnature e superfici di presa scivolose e unte non consentono di maneggiare e controllare in modo sicuro l'elettrotensile nel caso di imprevisti.

5. Uso e cura degli elettrotensili a batteria

- a. **Ricaricare la batteria utilizzando esclusivamente il caricabatterie l'alimentatore specificato dal fabbricante.** Un caricabatterie adatto per un solo tipo di

batteria può comportare il rischio d'incendio se usato con una batteria diversa.

- b. **Usare gli elettrotensili esclusivamente con le batterie specificamente progettate per gli stessi.** L'impiego di batterie di tipo diverso potrebbe provocare il rischio di lesioni a persone e incendi.
- c. **Quando la batteria non è in uso, tenerla lontano da altri oggetti metallici, come graffette, monete, chiavi, chiodi, viti o altri oggetti metallici di piccole dimensioni, che potrebbero cortocircuitare un morsetto con l'altro.** Se i morsetti della batteria vengono cortocircuitati potrebbero provocare ustioni o un incendio.
- d. **In condizioni di sovraccarico, dalla batteria potrebbe fuoriuscire del liquido: evitare di toccarla. In caso di contatto accidentale, risciacquare la pelle con acqua. Se il liquido entra a contatto con gli occhi, consultare un medico.** Il liquido che fuoriesce dalla batteria può causare irritazioni o ustioni.
- e. **Non utilizzare una batteria o un utensile danneggiati o modificati.** Le batterie danneggiate o modificate potrebbero manifestare un comportamento imprevedibile con la possibilità di causare un'esplosione o un incendio.
- f. **Non esporre una batteria o un utensile al fuoco o a temperature eccessivamente elevate.** L'esposizione al fuoco o a una temperatura superiore a 130°C potrebbe provocare un'esplosione.
- a. **Seguire tutte le istruzioni per la carica e non caricare la batteria o l'elettrotensile a una temperatura che non rientri nell'intervallo di valori specificato nelle istruzioni.** Una ricarica effettuata in maniera scorretta o a una temperatura che non rientra nell'intervallo di valori specificato, potrebbe danneggiare la batteria aumentando il rischio d'incendio.

6. Assistenza

- a. **Fare riparare l'elettrotensile esclusivamente da personale specializzato e solo utilizzando pezzi di ricambio originali.** In questo modo sarà possibile mantenere la sicurezza dell'elettrotensile.
- b. **Non riparare le batterie danneggiate.** Gli interventi di riparazione sulle batterie devono essere eseguiti dal costruttore o da fornitori di assistenza autorizzati.

Istruzioni di sicurezza per troncatrici

- ◆ **Le troncatrici sono concepite per tagliare legno o prodotti simili al legno, non possono essere utilizzate con mole abrasive per tagliare materiali ferrosi come barre, bielle, montanti, ecc.** La polvere abrasiva causa l'inceppamento di parti mobili come la protezione inferiore. Le scintille generate dal taglio abrasivo bruceranno la protezione inferiore, l'insero di taglio e altre parti in plastica.
- ◆ **Utilizzare morsetti per sostenere il pezzo da lavorare ove possibile. Se si sostiene il pezzo con le mani, è**

necessario tenere sempre la mano ad almeno 100 mm di distanza da entrambi i lati della lama. Non usare questa sega per tagliare pezzi troppo piccoli per essere serrati saldamente o tenuti a mano. Se la mano è posizionata troppo vicino alla lama della sega, aumenta il rischio di lesioni dovute al contatto con la lama.

- ◆ Il pezzo deve essere fermo e bloccato o tenuto contro il guidapezzo e il banco. Non far avanzare il pezzo nella lama o tagliare “a mano libera” in alcun modo. Pezzi non fissati o in movimento potrebbero essere scagliati a velocità elevate, provocando lesioni.
- ◆ Spingere la sega attraverso il pezzo. Non tirare la lama della sega nel pezzo. Per eseguire un taglio, sollevare la testa della sega ed estrarla sul pezzo senza tagliare, avviare il motore, premere la testa della sega e spingere la sega attraverso il pezzo. Il taglio sulla corsa di trazione può far sì che la lama della sega monti sulla parte superiore del pezzo e scagli violentemente il gruppo lama verso l'operatore.
- ◆ Non incrociare mai la mano sulla linea di taglio prevista davanti o dietro la lama della sega. Sostenere il pezzo da lavorare “a mani incrociate”, ovvero tenere il pezzo a destra della lama della sega con la mano sinistra o viceversa è molto pericoloso.
- ◆ Non avvicinare il guidapezzo alle mani a una distanza inferiore a 100 mm da entrambi i lati della lama della sega per rimuovere trucioli di legno o per qualsiasi altro motivo mentre la lama gira. La vicinanza della lama della sega rotante alla tua mano potrebbe non essere ovvia e potrebbe causare lesioni gravi.
- ◆ Ispezionare il pezzo prima di tagliare. Se il pezzo da lavorare è piegato o deformato, fissarlo con la parte piegata anteriore rivolta verso il guidapezzo. Assicurarsi sempre che non vi sia spazio tra il pezzo, il guidapezzo e il banco lungo la linea di taglio. I pezzi piegati o deformati possono ruotare o spostarsi e causare il grippaggio della lama della sega durante il taglio. Non ci dovrebbero essere chiodi o oggetti estranei nel pezzo.
- ◆ Non utilizzare la sega finché il banco non è sgombrato da tutti gli utensili, trucioli di legno, ecc., ad eccezione del pezzo in lavorazione. Piccoli detriti o pezzi di legno sfusi o altri oggetti che entrano in contatto con la lama girevole possono essere scagliati ad alta velocità.
- ◆ Tagliare un solo pezzo alla volta. Più pezzi impilati non possono essere adeguatamente fissati o fermati e possono incepparsi alla lama o spostarsi durante il taglio.
- ◆ Assicurarsi che la troncatrice sia montata o posizionata su una superficie piana e solida prima dell'uso. Una superficie di lavoro piana e solida riduce il rischio che la troncatrice perda stabilità.
- ◆ Pianificare il lavoro. Ogni volta che si modifica l'impostazione di taglio inclinato o obliquo, assicurarsi che il guidapezzo regolabile sia impostato correttamente

per supportare il pezzo e non interferisca con la lama o il sistema di protezione. Senza accendere l'utensile e senza alcun pezzo sul banco, spostare la lama attraverso un taglio simulato completo per assicurarsi che non vi siano interferenze e non sussista il pericolo di tagliare il guidapezzo.

- ◆ Fornire supporto adeguato come prolunghe per banchi, cavalletti, ecc. per un pezzo più largo o più lungo del piano del banco. I pezzi più lunghi o più larghi rispetto al piano della troncatrice possono ribaltarsi se non supportati in modo sicuro. Se il pezzo tagliato o le punte del pezzo si ribaltano possono sollevare la protezione inferiore o essere scagliati dalla lama rotante.
- ◆ Non utilizzare un'altra persona come alternativa a una prolunga per banco o come supporto aggiuntivo. Il supporto instabile del pezzo può causare il grippaggio della lama o lo spostamento del pezzo durante l'operazione di taglio trascinando l'operatore e il suo aiutante nella lama rotante.
- ◆ Il pezzo tagliato non deve essere inceppato o premuto in alcun modo contro la lama della sega rotante. Se confinato, cioè utilizzando arresti di lunghezza, il pezzo tagliato potrebbe rimanere incastrato contro la lama e scagliato violentemente.
- ◆ Utilizzare sempre un morsetto o un dispositivo di fissaggio progettato per supportare correttamente materiale tondo come barre o tubi. Le barre tendono a rotolare mentre vengono tagliate, causando la “morsa” della lama e tirando il lavoro con la mano nella lama.
- ◆ Lasciare che la lama raggiunga la massima velocità prima di entrare a contatto con il pezzo. Ciò ridurrà il rischio che il pezzo venga scagliato.
- ◆ Se il pezzo o la lama si inceppa, spegnere la troncatrice. Attendere che tutte le parti in movimento si fermino e scollegare la spina dalla fonte di alimentazione e/o rimuovere la batteria. Quindi intervenire per liberare il materiale inceppato. Il taglio continuo con un pezzo inceppato potrebbe causare la perdita di controllo o danni alla troncatrice.
- ◆ Dopo aver terminato il taglio, rilasciare l'interruttore, tenere la testa della sega in basso e attendere che la lama si fermi prima di rimuovere il pezzo tagliato. Avvicinare la mano alla lama in movimento è pericoloso.

Istruzioni di sicurezza aggiuntive per troncatrici

- ◆ L'uso previsto è indicato nel presente manuale di istruzioni. Se questo elettroutensile viene impiegato con accessori o per usi diversi da quelli raccomandati nel presente manuale, potrebbero verificarsi lesioni personali e/o danni alle cose.
- ◆ Non usare lame incrinata/piegate/danneggiate/deformate.
- ◆ Sostituire la tavola da taglio ove usurata.

- ◆ Non utilizzare lame di diametro maggiore o minore di quello consigliato. Fare riferimento ai dati tecnici per le corrette capacità di taglio. Utilizzare soltanto le lame specificate in questo manuale, conformi alla norma EN 847-1.
- ◆ Non usare lame in acciaio super rapido (HSS).



Avvertenza! Il contatto o l'inalazione della polvere generata dalla segatura potrebbe nuocere alla salute dell'operatore e di eventuali astanti. Indossare una mascherina antipolvere specifica per polveri e fumi e accertarsi che anche le persone presenti nell'area di lavoro o che vi entrano siano adeguatamente protetti.

- ◆ Non lavorare con materiali contenenti amianto. L'amianto è considerato essere cancerogeno.
- ◆ Indossare guanti quando si maneggiano lame e materiali ruvidi (le lame dovrebbero essere trasportate in un porta lame se del tutto possibile).
- ◆ Indossare protezioni alle orecchie per ridurre il rischio di perdita indotta dell'udito.
- ◆ Valutare la possibilità di usare le lame silenziata appositamente progettate.
- ◆ Indossare protezioni per gli occhi per ridurre il rischio di lesioni.
- ◆ Usare il sacchetto di raccolta della polvere fornito quando si sega il legno.
- ◆ **Sostenere l'apparato con supporti aventi superfici isolanti quando si eseguono lavorazioni in cui la parte tagliente potrebbe toccare cavi elettrici nascosti o il cavo di alimentazione dell'accessorio di taglio.** Il contatto tra l'accessorio di taglio e un filo sotto tensione mette sotto tensione le parti metalliche esposte dell'elettrotensile e potrebbe esporre l'operatore a scosse elettriche.
- ◆ Selezionare la lama corretta per il materiale da tagliare.
- ◆ Non usare la macchina senza aver montato la protezione. Non far funzionare la macchina se la protezione non funziona e se non è stata sottoposta a regolare manutenzione.
- ◆ Prima di effettuare tagli inclinati, accertarsi che il braccio sia saldamente fissato.
- ◆ Prima di ogni taglio, assicurarsi che la macchina sia stabile.
- ◆ Mantenere le impugnature pulite e prive di tracce di olio o grassi.
- ◆ Mantenere la zona circostante la macchina pulita e priva di materiali sciolti tipo trucioli o materiali di scarto.
- ◆ Accertarsi che la macchina e la zona di lavoro abbiano un'adeguata illuminazione sia generale, sia locale.
- ◆ Non permettere a personale non qualificato di far funzionare questa macchina.
- ◆ Verificare che la lama sia stata montata correttamente prima dell'impiego. Verificare che la lama ruoti nella

direzione corretta. Mantenere la lama affilata. Seguire le istruzioni relative alla lubrificazione e alla sostituzione degli accessori.

- ◆ Assicurarsi che la velocità contrassegnata sulla lama sia almeno pari alla velocità indicata sulla lama.
- ◆ Assicurarsi che gli eventuali distanziatori o fusi ad anello siano adatti allo scopo dichiarato da Stanley Fat Max.
- ◆ Le riparazioni del sistema di guida della linea di taglio devono essere eseguite esclusivamente da tecnici autorizzati o dall'assistenza Stanley Fat Max.
- ◆ Prima di eseguire operazioni di manutenzione o di sostituire la lama, rimuovere la batteria dalla macchina.
- ◆ Non eseguire mai interventi di pulitura, manutenzione e non asportare materiale di scarto o altre parti del pezzo dalla zona di taglio mentre la macchina è accesa e la testa della troncatrice non si trova nella posizione di riposo.
- ◆ Se possibile, montare sempre la macchina su un banco.
- ◆ Verificare che tutti i pomelli di bloccaggio e le maniglie siano ben saldi prima di iniziare qualsiasi operazione di taglio.
- ◆ Non usare mai la troncatrice senza l'insero della tavola.
- ◆ Non cercare mai di arrestare in maniera rapida la macchina in moto, incastrando un utensile o qualsiasi altro oggetto contro la lama dato che facendolo si possono causare involontariamente incidenti gravi.
- ◆ Prima di usare o di montare un qualsiasi accessorio, consultare il manuale d'uso. L'uso non corretto di un accessorio può causare danni.
- ◆ Sollevare la lama dall'insero della tavola nel pezzo prima di rilasciare l'interruttore di accensione.
- ◆ Non incuneare oggetti contro il ventilatore per bloccare l'albero motore.
- ◆ La protezione della lama si solleva automaticamente quando il braccio viene abbassato e si abbassa sopra la lama quando il braccio viene sollevato. La protezione può essere sollevata manualmente durante l'installazione o rimozione delle lame o per l'ispezione della sega. Non sollevare mai manualmente la protezione se la macchina non è spenta.
- ◆ Controllare a intervalli regolari che le aperture di ventilazione del motore siano pulite e prive di schegge.
- ◆ Non rendere mai illeggibili gli avvisi di pericolo sull'elettrotensile.
- ◆ Non stare mai in piedi sull'elettrotensile. Si potrebbero causare o subire lesioni gravi se l'elettrotensile si capovolge oppure se si viene a contatto della lama.
- ◆ Non afferrare la lama dopo un periodo di funzionamento e prima che si sia raffreddata. La lama diventa molto calda quando è in funzione.
- ◆ Per evitare lesioni causate dal lancio di materiali, rimuovere la batteria dalla troncatrice per impedire l'avviamento accidentale e quindi eliminare tutti i materiali di piccole dimensioni.

- ◆ Prima dell'impiego e dopo ogni intervento di manutenzione, controllare la protezione della lama per accertarsi che funzioni in modo corretto. Questo controllo deve essere eseguito con la troncatrice spenta e la batteria rimossa. Il braccio deve essere sollevato e abbassato per verificare che la protezione copra la lama e che la lama non venga a contatto della protezione. Se la protezione non funziona in modo corretto, far riparare l'elettrotensile da un tecnico specializzato. Telefonare al centro assistenza Stanley Fat Max per ottenere l'indirizzo del tecnico autorizzato più vicino.
- ◆ **Questa troncatrice radiale è stata progettata per segare solo legno, plastica e metalli non ferrosi.** Non utilizzare la troncatrice per tagliare materiali diversi da quelli indicati dal produttore.
- ◆ Non afferrare la lama dopo la lavorazione prima che si sia raffreddata. La lama può diventare molto calda durante la lavorazione.



Avvertenza! Il taglio di plastica, legno ricoperto di resina e altri materiali può causare l'accumulo del materiale sciolto sulle punte della lama e sul corpo della lama della sega, aumentando il rischio di surriscaldamento e inceppamento della lama durante il taglio.

Sicurezza altrui

- ◆ Questo caricabatterie può essere usato da bambini dagli 8 anni in su e da persone portatrici di handicap fisici, psichici o sensoriali o che non abbiano la dovuta esperienza o conoscenza, sempre che siano seguite o opportunamente istruite sull'uso sicuro e comprendano i pericoli inerenti.
- ◆ I bambini non devono giocare con l'elettrodomestico. Gli interventi di pulizia e di manutenzione da parte dell'utilizzatore non devono essere eseguiti da bambini senza supervisione.

Rischi residui

I seguenti rischi sono inerenti all'uso delle troncatrici: Malgrado il rispetto delle norme di sicurezza pertinenti e l'implementazione di dispositivi di sicurezza, alcuni rischi residui non possono essere evitati. Sono inclusi:

- ◆ Lesioni causate o subite a seguito del contatto con parti rotanti/in movimento.
- ◆ menomazioni uditive;
- ◆ Rischio di incidenti causati dalle parti non coperte della lama rotante.
- ◆ Rischio di lesioni causate o subite durante la sostituzione di parti, lame o accessori.
- ◆ Rischio di schiacciamento delle dita nell'apertura delle protezioni.

- ◆ Pericoli per la salute causati dall'inalazione della polvere generata dal taglio del legno, in modo particolare quello di quercia e di faggio, e dell'MDF.
- ◆ Lesioni causate dall'impiego prolungato di un elettrotensile. Quando si utilizza qualsiasi apparecchio per lunghi periodi, accertarsi di fare regolarmente delle pause.

Rumorosità

I valori di emissione acustica dichiarati sono stati misurati attenendosi a un metodo di prova standard e possono essere usati come termine di paragone tra due utensili.

I valori di emissione acustica dichiarati possono essere usati anche come valutazione preliminare dell'esposizione al rumore.

Avvertenza! Il valore delle emissioni acustiche durante l'impiego effettivo dell'elettrotensile può variare da quello dichiarato in base alle modalità d'uso e, in modo particolare, al tipo di pezzo in lavorazione.

Avvertenza! Indossare sempre protezioni acustiche.

In determinate condizioni di utilizzo prolungato, il rumore proveniente da questo prodotto potrebbe contribuire alla perdita dell'udito. Tenere in considerazione i seguenti fattori che influiscono sull'esposizione al rumore:

- ◆ utilizzare lame progettate per ridurre le emissioni acustiche;
- ◆ utilizzare solo lame ben affilate; e
- ◆ utilizzare lame specificamente progettate per ridurre il rumore.

Etichette sull'elettrotensile

Sull'elettrotensile compaiono i seguenti pittogrammi:



Avvertenza! Per ridurre il rischio di infortuni, l'utilizzatore deve leggere il manuale di istruzioni.



Indossare occhiali di sicurezza.



Utilizzare protezioni acustiche.



Indossare una maschera anti-polvere.



Il presente prodotto non deve essere usato da bambini di età inferiore ai 16 anni.



Tenere le mani lontane dalla lama.



Attenzione alle mani - Tenere dita e braccia lontane dalle lame rotanti.



Indossare guanti quando si maneggiano le lame.



Non fissare la spia di funzionamento.

Istruzioni di sicurezza aggiuntive riguardanti batterie e caricabatterie

Avvertenza! Questo apparecchio deve essere utilizzato solo con l'alimentatore fornito in dotazione.

Nota: l'intervallo delle temperature di esercizio dell'utensile raccomandato è di 4-40 °C.

Batterie

- ◆ Non tentare mai di aprire la batteria per alcun motivo.
- ◆ Non lasciare che la batteria si bagni.
- ◆ Non conservare la batteria in luoghi dove la temperatura potrebbe superare 40 °C.
- ◆ Caricare la batteria solo in ambienti con temperature comprese tra 10°C e 40°C.
- ◆ Caricare la batteria utilizzando esclusivamente il caricabatterie fornito con l'elettrooutensile.
- ◆ Quando si smaltiscono le batterie, seguire le istruzioni riportate al capitolo "Protezione dell'ambiente".



Non tentare di caricare batterie danneggiate.

Caricabatterie

- ◆ Usare il caricabatterie Stanley FatMax solo per caricare la batteria dell'elettrooutensile con il quale è stato fornito. Batterie diverse potrebbero scoppiare, causando lesioni a persone e danni alle cose.
- ◆ Non tentare mai di caricare batterie non ricaricabili.
- ◆ Fare sostituire immediatamente i fili di alimentazione difettosi.
- ◆ Non lasciare che il caricabatterie si bagni.
- ◆ Non aprire il caricabatterie.
- ◆ Non collegare il caricabatterie a sonde.



Il caricabatterie è destinato all'uso in ambienti chiusi.



Leggere il presente manuale d'uso prima dell'impiego.

Sicurezza elettrica



Il doppio isolamento di cui è provvisto il caricabatterie rende superfluo il filo di terra. Controllare sempre che la tensione di rete corrisponda a quella indicata sulla targhetta dei valori nominali. Non tentare mai di sostituire il caricabatterie con una spina elettrica tradizionale.

- ◆ In caso di danneggiamento del cavo di alimentazione, è necessario farlo riparare dal produttore o presso un centro

di assistenza Stanley FatMax autorizzato in modo da evitare possibili rischi.

Caratteristiche

Questo elettrooutensile presenta alcune o tutte le seguenti caratteristiche.

1. Grilletto di azionamento
2. Impugnatura di azionamento
3. Fori di montaggio
4. Protezione inferiore
5. Pomello di bloccaggio per tagli a quartabuono
6. Pulsante di fermo del taglio inclinato
7. Piastra scanalata
8. Scala di quartabuono
9. Indicatore di scala di quartabuono
10. Impugnatura per il trasporto
11. Guida
12. Manopola di bloccaggio taglio obliquo
13. Guide
- 13a. Cinturino in velcro
14. Porta di aspirazione polveri
15. Gruppo batterie
16. Interruttore luce di lavoro
17. Pulsante di sicurezza
18. Vite di bloccaggio della sponda
19. Foro di montaggio del morsetto
20. Perno di bloccaggio

Montaggio (Fig. A)

La troncatrice è parzialmente assemblata nella scatola.

- ◆ Aprire la scatola e sollevare la sega usando le impugnature per il trasporto (10) nella base della sega (figura A).
- ◆ Collocare la sega su una superficie piana e uniforme, ad esempio un banco da lavoro o un tavolo robusto.
- ◆ Esaminare lo Schema di montaggio a pagina 2 di questo manuale per familiarizzare con la sega e le sue varie parti. La sezione sulle regolazioni farà riferimento a questi termini ed è necessario sapere quali sono e dove si trovano le parti.
- ◆ Il pomello di bloccaggio per tagli a quartabuono (5) non è assemblato per la spedizione. Rimuovere il pomello di bloccaggio per tagli a quartabuono (5) dalla confezione e avvitare sulla sega, vedere le figure G e K per la posizione.
- ◆ La sega dispone di una porta di aspirazione polveri incorporata (14) che consente di collegare il sacchetto di raccolta della polvere (35), in dotazione ma non assemblato, o un sistema di aspirazione disponibile in commercio (Fig. M).

Piastra di taglio (Fig. J)

La piastra di taglio (7) è montata sul banco tramite 6 viti.

L'altezza della piastra di taglio (7) non è regolabile.

Nota: Se la piastra di taglio (7) è usurata, danneggiata o deve essere sostituita, le riparazioni devono essere eseguite da personale di riparazione autorizzato o personale di assistenza Stanley Fat Max.

Perno di bloccaggio (Fig. F)

Avvertenza! Il perno di bloccaggio deve essere utilizzato SOLO durante il trasporto o l'immagazzinaggio della troncatrice. Non utilizzare MAI il perno di bloccaggio per alcuna operazione di taglio.

Nota: Per sollevare, trasportare e sostenere la troncatrice durante il trasporto, utilizzare le due impugnature per il trasporto (10) situate su entrambi i lati della base della troncatrice (Fig. A).

Per bloccare la testa della troncatrice verso il basso, spingere in dentro il perno di bloccaggio (20) e rilasciare la testa della troncatrice. Questo manterrà la testa della troncatrice in giù e consentirà di trasportarla in modo sicuro. Per sbloccare il dispositivo, premere verso il basso la testa della troncatrice ed estrarre il perno di bloccaggio.

Avvertenza! Accertarsi sempre che l'utensile sia spento e che la batteria sia stata rimossa dall'utensile prima di regolare o controllare la funzione degli utensili.

Caricamento della batteria (Fig. B)

I caricabatterie Stanley FatMax sono progettati per caricare i pacchi batteria Stanley FatMax.

- ◆ Collegare il caricabatterie (21) ad una presa di corrente adatta prima di inserire un pacco batteria (15).



- ◆ Inserire il pacco batteria (15) nel caricabatterie, assicurandosi che sia completamente incastrato in sede nelle apposite scanalature (Figura B).



- ◆ Il LED (21a) lampeggia mentre la carica è in corso.

Quando la carica è completa il LED rimane acceso fisso. Il pacco è completamente carico e può essere utilizzato in questo momento o lasciato nel caricabatterie.

- ◆ Caricare le batterie scariche al più presto dopo l'uso, altrimenti la loro durata utile potrebbe diminuire notevolmente.
- ◆ Per la massima durata delle batterie, non lasciarle scaricare completamente. Consigliamo di ricaricare le batterie dopo ciascun impiego.

Diagnostica del caricabatterie (Fig. C)

Questo caricabatterie è concepito per rilevare determinati problemi che potrebbero verificarsi con le batterie o con la

fonte di alimentazione. I problemi sono indicati da un LED che lampeggia secondo schemi differenti.



Batteria guasta

Il caricabatterie in grado di rilevare una batteria scarica o danneggiata. Il LED lampeggia secondo lo schema indicato sull'etichetta. Se compare questo schema di batteria guasta, non continuare a caricare la batteria. Restituirla presso un centro di servizio o un sito di raccolta per il riciclaggio



Ritardo per batteria calda/fredda

Quando il caricabatterie rileva una batteria troppo calda o troppo fredda avvia automaticamente la funzione di ritardo per batteria calda/fredda, sospendendo la carica finché la batteria non ha raggiunto la temperatura normale. Dopo di ciò, il caricabatterie passa automaticamente alla modalità di carica. Questa funzione garantisce la massima durata della batteria. Il LED lampeggia secondo lo schema indicato sull'etichetta.

Batteria lasciata nel caricabatterie

Il caricabatterie e la batteria possono essere lasciati collegati con il LED acceso per un tempo indefinito. Il caricabatterie mantiene la batteria fresca e completamente carica. Questo caricabatterie è dotato di una modalità di messa a punto, che eguaglia o bilancia le singole celle della batteria, in modo che possa funzionare alla capacità di picco. Le batterie devono essere messe a punto una volta a settimana oppure ogni volta che la batteria non fornisce più la stessa quantità di corrente. Per utilizzare la modalità di messa a punto automatica inserire la batteria nel caricabatterie e lasciarcela per almeno 8 ore.

Note importanti riguardanti la carica

- ◆ È possibile ottenere la massima durata e le migliori prestazioni se la batteria è carica e la temperatura dell'aria è di 18 °C - 24 °C. NON caricare la batteria se la temperatura dell'aria è inferiore a +4,5 °C o superiore a +40 °C. Questa precauzione è importante per prevenire gravi danni alla batteria.
- ◆ Il caricabatterie e la batteria possono diventare caldi al tatto durante la carica. Si tratta di un fatto normale che non indica la presenza di un problema.
- ◆ Per facilitare il raffreddamento della batteria dopo l'uso, evitare di posizionare il caricabatterie o la batteria in un ambiente caldo, come ad esempio all'interno di un capannone di metallo o di un rimorchio non isolato.
- ◆ Se il pacco batteria non si ricarica correttamente:
 - ◆ controllare l'effettivo funzionamento della presa di corrente collegandovi una lampada o un apparecchio simile;
 - ◆ verificare se la presa è collegata a un interruttore della luce che si spegne quando si spengono le luci;
 - ◆ spostare il caricabatterie e la batteria in un luogo in cui

la temperatura dell'aria circostante sia di circa 18 °C – 24 °C;

- ◆ se i problemi di carica persistono, portare l'elettrotensile, la batteria e il caricabatterie presso il centro di assistenza di zona.
- ◆ La batteria deve essere sostituita se non riesce a produrre energia a sufficienza per svolgere lavori che prima venivano eseguiti con facilità. **NON CONTINUARE** a usarlo in queste condizioni. Seguire la procedura di carica. È anche possibile caricare una batteria parzialmente utilizzata ogni volta che si desidera, senza alcun effetto negativo sulla batteria stessa.
- ◆ Corpi estranei di natura conduttiva quali, a titolo esemplificativo, ma non esaustivo, polvere di levigatura, schegge metalliche, lana d'acciaio, fogli di alluminio o qualsiasi accumulo di particelle metalliche, devono essere tenuti lontano dalle cavità dell'alimentatore. Scollegare il caricabatterie dalla presa di corrente prima di iniziare a pulirlo.
- ◆ Non congelare né immergere nessuna parte del caricabatterie in acqua o altri liquidi.

Montaggio e rimozione della batteria (fig. D, E)

- ◆ Per montare la batteria (15), allinearla all'apposito vano sull'elettrotensile (22). Infilare il pacco batteria nell'apposito vano e premerlo fino a quando si aggancia in sede.
- ◆ Per estrarre la batteria, premere il pulsante di rilascio della batteria (15a) estraendo al tempo stesso la batteria dall'apposito vano, come mostrato in figura E.

Sostituzione o montaggio di una nuova lama (Fig. G, H, I)

Avvertenza! Per ridurre il rischio di gravi lesioni personali, spegnere l'apparato e staccare la batteria prima di trasportare, eseguire qualsiasi regolazione o rimozione/installazione di dotazioni o accessori. Un avvio accidentale potrebbe provocare lesioni.

Rimozione della lama

- ◆ Estrarre il pacco batteria (15) dalla sega.
- ◆ Sollevare il braccio alla posizione superiore e sollevare la protezione inferiore (4) all'altezza max.
- ◆ Allentare, ma non rimuovere la vite anteriore della staffa della protezione (24) finché la staffa (25) non può essere sollevata abbastanza lontano da poter accedere alla vite della lama (26). La protezione inferiore rimarrà sollevata a causa della posizione della vite della staffa della protezione.
- ◆ Premere il pulsante blocca-albero (28) facendo ruotare con cautela la lama della troncatrice (29) a mano fino a innestare il blocco.
- ◆ Tenendo premuto il pulsante, usare l'altra mano e il lato esagonale della chiave in dotazione per allentare la

vite della lama (26). (Girare in senso orario, filettature a sinistra.)

- ◆ Rimuovere la vite della lama (26) usando il lato esagonale della chiave in dotazione, la rondella del morsetto esterno (30) e la lama (29). È possibile lasciare la rondella del morsetto interno (31) sull'albero (32).

Inserimento di una lama

- ◆ Estrarre il pacco batteria (15) dalla sega.
- ◆ Con il braccio sollevato, la protezione inferiore (4) tenuta aperta e la staffa della protezione (25) sollevata, posizionare la lama (29) sull'albero (32) e contro il morsetto interno della lama (31) con i dentini sulla lama rivolti nel senso di rotazione indicato sulla sega.
- ◆ Montare la rondella del morsetto esterno (30) sull'albero (32).
- ◆ Installare la vite della lama (26) e, innestando il blocco dell'albero (28), serrare saldamente la vite (26) con la chiave in dotazione (girare in senso anti-orario, filettature a sinistra).
- ◆ Riportare la staffa della protezione (25) nella posizione originale completamente abbassata e stringere saldamente la vite della staffa della protezione (24) per tenere in posizione la staffa.

Sistema di guida della linea di taglio

Avvertenza! Non fissare direttamente la luce di lavoro. Rischio di gravi lesioni agli occhi.

Nota: la batteria deve essere caricata e collegata alla troncatrice.

Il sistema di guida della linea di taglio può essere attivato o disattivato solo dall'interruttore della luce di lavoro (16). Per tagliare lungo una linea tratteggiata a matita esistente su un pezzo di legno, attivare il sistema di guida della linea di taglio utilizzando l'interruttore della luce di lavoro (16) (non con il grilletto principale), quindi tirare verso il basso l'impugnatura di azionamento (2) per avvicinare la sega al legno.

Comparirà l'ombra della lama sul legno. Questa linea d'ombra rappresenta il materiale che la lama rimuoverà durante l'esecuzione di un taglio.

Per individuare correttamente il taglio sulla linea tratteggiata a matita, allineare la linea tratteggiata a matita al bordo dell'ombra della lama. Tenere presente che è possibile dover regolare gli angoli del taglio inclinato o del taglio obliquo per seguire esattamente la linea tratteggiata a matita.

La sega è dotata di una funzione di guasto della batteria. La luce di lavoro inizia a lampeggiare quando la batteria si avvicina alla fine della sua carica utile, o quando la batteria è troppo calda. Caricare la batteria prima di continuare le applicazioni di taglio. Fare riferimento alla procedura di carica sotto importanti istruzioni di sicurezza per pacchi batteria per

le istruzioni di ricarica della batteria.

Controllo taglio inclinato (Fig. J)

Il pomello di bloccaggio per tagli a quartabuono (5) e il pulsante di fermo del taglio inclinato (6) permettono di inclinare la troncatrice di 47° a destra e di 47° a sinistra. Il fermo del taglio inclinato localizza automaticamente la posizione a 0°, 15°, 22.5°, 31.6° e 45° sia a destra che a sinistra. Per ottenere il taglio inclinato della sega, sbloccare il meccanismo di blocco del taglio inclinato ruotando il pomello di bloccaggio per tagli a quartabuono (5) in senso antiorario per sbloccare e in senso orario per bloccare. Tirare verso l'alto il pulsante di fermo del taglio inclinato (6) e impostare il taglio inclinato desiderato sulla scala di quartabuono (8). Bloccare il pomello di bloccaggio per tagli a quartabuono (5) ruotando in senso orario.

Manopola di bloccaggio taglio obliquo (Fig. K)

Il blocco taglio obliquo consente di inclinare la troncatrice di 48° a sinistra. Per regolare l'impostazione di inclinazione, ruotare la manopola di bloccaggio taglio obliquo (12) in senso anti-orario per allentare. Per serrare, girare la manopola di bloccaggio taglio obliquo in senso orario.

Attenzione! Pericolo di pizzicamento. Accertarsi di stringere la manopola di bloccaggio taglio obliquo prima di regolare i controlli manuali.

Interruttore di azionamento (Fig. L)

Per accendere la sega, spingere il pulsante di sicurezza (17) a sinistra, quindi premere l'interruttore a grilletto (1). La sega funzionerà mentre l'interruttore è premuto. Lasciare che la lama ruoti alla massima velocità operativa prima di effettuare il taglio. Per spegnere la sega, rilasciare l'interruttore. Lasciare che la lama si arresti prima di sollevare la testa della sega. Non è previsto alcun blocco dell'accensione. Un foro (1a) è predisposto nel grilletto per l'inserimento di un lucchetto per bloccare l'interruttore.

La sega non è dotata di un freno elettrico automatico per la lama, ma la lama dovrebbe arrestarsi entro 5 secondi dal rilascio del grilletto. Questa funzione non è regolabile. Se il tempo di arresto supera ripetutamente i 5 secondi, fare riparare l'utensile da un centro di assistenza Stanley FatMax autorizzato.

Accertarsi sempre che la lama si sia arrestata prima di rimuoverla dal taglio.

Aspirazione polveri (Fig. M)

Avvertenza! Per ridurre il rischio di gravi lesioni personali, spegnere l'elettro utensile e scollegarlo dalla batteria prima di trasportare, eseguire qualsiasi regolazione o rimozione/ installazione di dotazioni o accessori. Un avvio accidentale potrebbe provocare lesioni.

La sega dispone di una porta di aspirazione polveri incorporata (14) che consente di collegare il sacchetto di raccolta della polvere (35) o un sistema di aspirazione

disponibile in commercio.

Per fissare il sacchetto di raccolta della polvere

- ◆ Montare il sacchetto di raccolta della polvere (35) sulla porta di aspirazione polveri (14) come mostrato nella Figura M.
- ◆ Un tubo di aspirazione (38 - non in dotazione) può essere montato sulla porta di aspirazione polveri (14) anziché sul sacchetto di raccolta della polvere (35). Questo può essere fatto inserendo il tubo di aspirazione (38) al posto del sacchetto di raccolta della polvere (35), vedi figura M.
- ◆ Utilizzare il cinturino in velcro (13a) per tenere il tubo di aspirazione (38) libero dalle guide di scorrimento (13) mentre si aziona la sega.

Nota: il cinturino in velcro (13a) non è un'impugnatura per il trasporto e non deve essere usato per spostare o trasportare la sega.

Per svuotare il sacchetto di raccolta della polvere

- ◆ Rimuovere il sacchetto di raccolta della polvere (35) dalla sega e scuotere delicatamente o toccare la sacca per la polvere per svuotarla.
- ◆ Rimontare il sacchetto di raccolta della polvere sulla porta di aspirazione polveri (14).

Si potrebbe notare che non tutta la polvere fuoriesce dalla sacca. Ciò non influirà sulle prestazioni di taglio ma ridurrà l'efficienza di raccolta della polvere della sega. Per ripristinare l'efficienza di raccolta della polvere della sega, premere la molla all'interno della sacca per la polvere quando la si sta svuotando e toccarla sul lato del cestino della spazzatura o recipiente della polvere.

Avvertenza! Non utilizzare mai questa sega se il sacchetto per la polvere non è in posizione. La polvere di legno può creare un rischio per la respirazione.

Taglio con la sega

Se la funzione di scorrimento non è utilizzata, assicurarsi di spingere la testa della troncatrice il più indietro possibile e di serrare le vite di bloccaggio della guida (18). In questo modo è possibile impedire alla troncatrice di scorrere lungo i binari mentre si innesta il pezzo da lavorare.

Nota: NON TAGLIARE METALLI FERROSI O MURATURA CON QUESTA SEGA (I METALLI NON FERROSI POSSONO ESSERE TAGLIATI CON QUESTA SEGA. Non usare lame abrasive.

Nota: Fare riferimento all'azionamento e alla visibilità della protezione nella sezione delle regolazioni per informazioni importanti sulla protezione inferiore prima del taglio.

Tagli trasversali (fig. N)

Un taglio trasversale viene eseguito tagliando il legno attraverso le venature in qualsiasi angolazione. Un taglio tras-

versale dritto viene eseguito con il braccio per il taglio inclinato in posizione zero gradi. Innestare e bloccare il braccio per il taglio inclinato sullo zero, e tenere saldamente il legno da tagliare sul banco e contro il guida pezzo. Con la vite di bloccaggio guida (18) serrata, accendere la troncatrice premendo l'interruttore di azionamento (1).

Quando la troncatrice prende velocità (circa 1 secondo) abbassare il braccio ed eseguire lentamente il taglio attraverso il pezzo di legno. Lasciare che la lama si fermi completamente prima di sollevare il braccio.

Quando si tagliano pezzi più grandi di 2 x 4 (51 x 102), utilizzare un movimento all'infuori, verso il basso e indietro con la vite di bloccaggio guida (18) allentata. Tirare la sega all'infuori verso di sé, abbassare la testa della sega verso il pezzo da lavorare e spingere lentamente indietro la sega per completare il taglio. Non lasciare che la lama della troncatrice venga a contatto con la parte superiore del pezzo da lavorare durante l'estrazione. La sega potrebbe correre verso l'operatore, causando lesioni personali o danni al pezzo.

Avvertenza! Servirsi sempre di un morsetto di fissaggio per mantenere il controllo e ridurre il rischio di danni al pezzo e lesioni personali se è necessario che le mani si trovino a una distanza di 152 mm (6") dalla lama durante il taglio.

Nota! La vite di bloccaggio della guida (18) deve essere allentata per consentire alla sega di scorrere lungo le guide. I tagli trasversali sono realizzati con il braccio per il taglio inclinato a un angolo diverso da zero.

Questo angolo è spesso a 45° per l'effettuazione degli angoli, ma può essere impostato in qualsiasi posizione da zero a 47° a sinistra o a 47° a destra. Realizzare il taglio come descritto in precedenza.

Quando si esegue un taglio inclinato su pezzi da lavorare di larghezza superiore a 2 x 6 e più corti in lunghezza, posizionare sempre il lato più lungo contro il guida pezzo (Fig. N).

Per tagliare attraverso una linea esistente tracciata a matita su un pezzo di legno, avvicinarsi il più possibile all'angolo. Tagliare il legno un po' più lungo e misurare dalla linea tratteggiata a matita al bordo di taglio per determinare in quale direzione regolare l'angolo di inclinazione e tagliare nuovamente. Ciò richiederà un po' di pratica, ma è una tecnica usata comunemente.

Tagli obliqui

Un taglio obliquo è un taglio trasversale realizzato con la lama della sega inclinata rispetto al legno. Per impostare il taglio obliquo, allentare la manopola di bloccaggio taglio obliquo (12) e spostare la sega a sinistra come desiderato. Una volta impostato l'angolo obliquo desiderato, serrare saldamente il blocco del taglio obliquo. Gli angoli di taglio inclinato possono essere impostati da 3° a destra a 48° a sinistra.

Qualità di taglio

La levigatezza di qualsiasi taglio dipende da una serie di variabili. Per esempio il materiale da tagliare, il tipo di lama, l'affilatura della lama e la velocità di taglio contribuiscono tutti alla qualità del taglio. Quando siano richiesti tagli particolarmente levigati per modanature e altri lavori di precisione, i migliori risultati si ottengono con una lama affilata (60 denti, punta in carburo) e con una velocità di taglio più bassa e uniforme. Assicurarsi che il materiale non si sposti e non si deformi durante il taglio; fissarlo saldamente in posizione. Lasciare sempre che la lama si fermi completamente prima di sollevare il braccio.

Qualora dei piccoli frammenti di legno dovessero spezzarsi sul retro del pezzo da lavorare, attaccare un pezzo di nastro per mascherature sul legno nel punto in cui verrà effettuato il taglio. Segare attraverso il nastro e rimuovere attentamente il nastro al termine dell'operazione.

Per diverse applicazioni di taglio, consultare l'elenco delle lame consigliate per la sega e selezionare quella più adatta alle proprie esigenze. Fare riferimento a Lame delle seghe sotto Accessori opzionali.

Posizionamento del corpo e delle mani (Fig.O1–O4)

Il posizionamento corretto del corpo e delle mani durante l'utilizzo della troncatrice faciliterà il taglio, rendendolo più accurato e sicuro. Non appoggiare mai le mani vicino alla zona di taglio. Posizionare le mani non più vicino di 6" (152 mm) dalla lama. Durante il taglio tenere il pezzo di lavorazione saldamente a contatto con la tavola e con il guida pezzo. Tenere le mani in posizione finché non si rilascia l'interruttore e la lama non si è completamente arrestata.

PRIMA DEI TAGLI DI FINITURA, EFFETTUARE SEMPRE ALCUNE CORSE IN ASSENZA DI ALIMENTAZIONE DI POTENZA IN MODO DA POTER CONTROLLARE IL PERCORSO DELLA LAMA. NON INCROCIARE LE MANI, COME ILLUSTRATO IN FIGURA O3.

Tenere entrambi i piedi ben poggiati sul pavimento e non sbilanciare il corpo lateralmente. Mentre si sposta il braccio della troncatrice verso sinistra e verso destra, seguirlo e tenersi leggermente a lato della lama. Quando si segue un segno a matita, guardare attraverso le feritoie della protezione.

Fissaggio del pezzo da lavorare

Avvertenza! Per ridurre il rischio di gravi lesioni personali, spegnere l'elettrotensile e scollegarlo dalla batteria prima di trasportare, eseguire qualsiasi regolazione o rimozione/ installazione di dotazioni o accessori. Un avvio accidentale potrebbe provocare lesioni.

Avvertenza! un pezzo da lavorare che risulta fissato, bilanciato e fermo prima di un taglio, può risultare sbilanciato una volta completato il taglio. Un carico sbilanciato potrebbe ribaltare la sega o qualsiasi altra cosa cui è collegata la sega, come un tavolo o un banco di lavoro. Durante l'esecuzione

di un taglio che potrebbe risultare sbilanciato, sostenere adeguatamente il pezzo da lavorare e assicurare che la troncatrice sia saldamente fissata a una superficie stabile. Potrebbero verificarsi lesioni personali.

Avvertenza! Il piedino di serraggio deve rimanere fissato sopra la base della troncatrice ogni volta che viene utilizzato il morsetto. Serrare sempre il pezzo da lavorare alla base della troncatrice - non a qualsiasi altra parte dell'area di lavoro. Assicurarsi che il piedino di serraggio non sia fissato sul bordo della base della troncatrice.

Avvertenza! Servirsi sempre di un morsetto di fissaggio per mantenere il controllo e ridurre il rischio di danni al pezzo e lesioni personali se è necessario che le mani si trovino a una distanza di 152 mm (6") dalla lama durante il taglio. Se non si riesce a fissare il pezzo da lavorare sul tavolo e contro il guidapezzo a mano (forma irregolare, ecc.), o la mano si troverebbe a meno di 6" (152 mm) di distanza dalla lama, è necessario utilizzare un morsetto o altro dispositivo di fissaggio.

Utilizzare il morsetto di fissaggio del materiale fornito in dotazione con la troncatrice. Per acquistare un morsetto di fissaggio del materiale, contattare il rivenditore locale o il centro di assistenza Stanley FatMax.

Altri supporti come morsetti a molla, morsetti a barra e morsetti a C potrebbero essere consigliabili per determinate dimensioni e forme di materiale. Prestare attenzione nel selezionare e posizionare questi morsetti. Effettuare alcune corse in assenza di alimentazione prima di effettuare il taglio.

Per inserire il morsetto (fig. P)

- ◆ Inserire il morsetto (37) nel foro (19) dietro il guidapezzo. Il morsetto dovrebbe essere rivolto verso il retro della troncatrice. La scanalatura sulla barra del morsetto dovrebbe essere completamente inserita nella base. Accertarsi che questa scanalatura sia completamente inserita nella base della troncatrice. Se la scanalatura è visibile, il morsetto non sarà fermo.
- ◆ Ruotare il morsetto di 180° verso il davanti della troncatrice.
- ◆ Allentare la manopola per regolare il morsetto verso l'alto o verso il basso, quindi utilizzare la manopola a regolazione fine per fissare saldamente il pezzo da lavorare.

Nota: Posizionare il morsetto sul lato opposto della base durante il taglio obliquo. PRIMA DEI TAGLI DI FINITURA, EFFETTUARE SEMPRE ALCUNE CORSE IN ASSENZA DI ALIMENTAZIONE DI POTENZA IN MODO DA CONTROLLARE IL PERCORSO DELLA LAMA. ASSICURARSI CHE IL MORSETTO NON INTERFERISCA CON L'AZIONE DELLA TRONCATRICE O DELLE PROTEZIONI.

Regolazioni

La troncatrice è stata accuratamente regolata in fabbrica. Qualora fosse necessario rieffettuare la regolazione a seguito della spedizione e della movimentazione, o per qualsiasi altro motivo, attenersi ai passaggi in merito riportati di seguito. Una volta eseguite, tali regolazioni devono mantenersi precise. Seguire attentamente queste istruzioni per mantenere la massima precisione della sega.

Regolazione scala taglio inclinato (fig. Q1)

Bloccare il braccio in posizione abbassata. Sganciare il pomello di bloccaggio per tagli a quartabuono (5) e far oscillare il braccio per taglio inclinato finché il pulsante di fermo del taglio inclinato (6) non lo blocca in posizione di taglio inclinato 0°. Non bloccare il pomello di bloccaggio per tagli a quartabuono. Collocare una squadretta contro il guidapezzo e la lama della troncatrice, come illustrato. (Evitare il contatto della squadra con la punta dei denti della lama. Altrimenti si effettuerà una misurazione imprecisa) Se la lama non è esattamente perpendicolare al guidapezzo, allentare e spostare il guidapezzo del materiale fino a quando la lama è perpendicolare al guidapezzo, come misurato con la squadra. Per il momento, non prestare attenzione al valore di lettura dell'indicatore di taglio obliquo.

Taglio inclinato perpendicolare alla regolazione del banco (Fig. Q2)

Per allineare la lama perpendicolare al banco, bloccare il braccio in posizione abbassata con il perno di bloccaggio (20). Posizionare una squadretta contro la lama, assicurandosi che la prima non si trovi sopra un dente. Allentare la manopola di blocco taglio obliquo (5) e assicurarsi che il braccio si trovi saldamente contro l'arresto taglio obliquo 0°. Ruotare la vite di regolazione taglio obliquo 0° con la chiave della lama 1/2" (12,7 mm) (non in dotazione) secondo necessità in modo che la lama si trovi ad un'inclinazione di 0° rispetto al banco, come misurato con la squadra.

Azionamento della protezione e visibilità (Fig. V)

Avvertenza! Pericolo di pizzicamento. Per ridurre il rischio di lesioni, tenere il pollice sotto l'impugnatura di azionamento quando si tira l'impugnatura verso il basso. La protezione inferiore si solleva quando l'impugnatura di azionamento viene tirata verso il basso, il che potrebbe causare un pizzicamento. La protezione inferiore (4) sulla troncatrice è stata progettata in modo da scoprire automaticamente la lama quando il braccio viene abbassato e da coprirla quando viene sollevato. Prima di ogni utilizzo o dopo aver eseguito le regolazioni, far effettuare un ciclo di funzionamento al braccio (in assenza di alimentazione) e assicurarsi che la protezione si apra fluidamente e si chiuda completamente. Non dovrebbe entrare a contatto con la lama. Con il braccio alzato, sollevare la protezione (in assenza di alimentazione) come mostrato nella Figura V e rilasciare. La guardia dovrebbe chiudersi completa-

mente in modo rapido.

Non adoperare la sega se la protezione non si muove liberamente e non si chiude rapidamente. Non bloccare o legare la protezione in posizione aperta durante il funzionamento della sega.

La protezione può essere sollevata manualmente durante l'installazione o rimozione delle lame o per l'ispezione della sega.

NON SOLLEVARE MAI LA PROTEZIONE INFERIORE A MENO CHE LA LAMA NON VENGA ARRESTATATA.

Nota: alcuni tagli speciali di materiale di grandi dimensioni richiedono il sollevamento manuale della protezione. Fare riferimento al taglio di materiale di grandi dimensioni sotto tagli speciali.

La sezione anteriore della protezione è dotata di feritoie per consentire la visibilità durante il taglio. Sebbene le feritoie riducano drasticamente i detriti volanti, sono pur sempre aperture nella protezione e dovrebbero essere indossati occhiali di sicurezza in ogni momento

Guida

Controllare regolarmente le guide (13) e verificarne il gioco. Le guide possono essere pulite con un panno asciutto.

Taglio di cornici per quadri, giunture a squadra ed altri progetti a quattro lati (Fig. R1, R2)

Per capire meglio come creare gli elementi elencati qui, suggeriamo di provare alcuni progetti semplici usando legno di scarto fino a quando non sviluppi una certa "sensibilità" nei confronti della troncatrice.

La troncatrice è l'apparato perfetto per eseguire angoli a squadra come quello illustrato nella Figura R1. Lo schizzo A in Figura R2 mostra un giunto realizzato usando la regolazione del taglio obliquo per smussare i bordi dei due pannelli a 45° ciascuno per creare un angolo di 90°. Per questo giunto il braccio taglio inclinato è stato bloccato in posizione zero e la regolazione del taglio obliquo è stata bloccata a 45°. Il legno è stato posizionato con il lato ampio e piatto contro la tavola e con il margine stretto contro il guidapezzo. Il taglio si potrebbe anche eseguire mediante taglio inclinato a destra o a sinistra con la superficie ampia contro il guidapezzo.

Modanature di finitura e altre intelaiature (fig. R2)

Il disegno B alla Figura R2 illustra una giunzione realizzata impostando il braccio del taglio inclinato a 45° per inclinare i due pannelli in modo da formare un angolo di 90°. Per realizzare questo tipo di giunzione, impostare la regolazione del taglio obliquo a zero e il braccio del taglio inclinato a 45°. Ancora una volta, posizionare il legno con il lato ampio e piatto contro la tavola e con il margine stretto contro il guidapezzo.

Le Figure S1 e S2 sono solo per oggetti a quattro lati.

Al variare del numero dei lati, variano anche l'angolo di taglio obliquo e l'angolo di taglio inclinato. La tabella di seguito fornisce gli angoli corretti per una serie di forme.

Esempi

| Numero di lati | Angolo di taglio obliquo o inclinato |
|----------------|--------------------------------------|
| 4 | 45° |
| 5 | 36° |
| 6 | 30° |
| 7 | 25,7° |
| 8 | 22,5° |
| 9 | 20° |
| 10 | 18° |

La tabella presuppone che tutti i lati abbiano la stessa lunghezza. In caso di forme non indicate in tabella, utilizzare la seguente formula: 180° diviso per il numero di lati è pari all'angolo di taglio obliquo (se il materiale viene tagliato verticalmente) o all'angolo di taglio inclinato (se il materiale viene tagliato orizzontalmente).

Tagli obliqui composti (fig. R3)

Il taglio obliquo composto è il taglio eseguito contemporaneamente con un angolo di taglio obliquo e inclinato. Si tratta del tipo di taglio utilizzato per la fabbricazione di cornici o strutture con lati inclinati come quella illustrata nella figura R3.

Nota: Se l'angolo varia da taglio a taglio, controllare che la manopola di bloccaggio taglio inclinato e quella di bloccaggio taglio obliquo siano saldamente serrate. Serrare nuovamente le manopole ogniqualvolta si modifica l'angolo di taglio inclinato o obliquo. La tabella al termine del presente manuale (Tabella 1) consente di selezionare le corrette impostazioni di taglio inclinato e obliquo per i più diffusi tagli obliqui composti. Per utilizzare la tabella, selezionare l'angolo desiderato A (Fig. R3) del progetto e individuare tale angolo sull'arco appropriato della tabella. Partendo da tale punto, scendere lungo la tabella seguendo una linea retta fino a trovare l'angolo inclinato corretto, e spostarsi lateralmente seguendo una linea retta trasversale, fino a trovare l'angolo di taglio obliquo corretto.

Impostare la troncatrice sugli angoli prescritti ed eseguire alcuni tagli di prova. Esercitarsi a sagomare i pezzi tagliati insieme fino a quando non si acquisisce una certa padronanza di questa procedura.

Esempio: Per costruire una scatola a 4 lati dotata di angoli esterni di 26° (Angolo A, fig. R3), utilizzare l'arco superiore di destra. Individuare il 26° sulla scala dell'arco. Seguire la linea di intersezione orizzontale su entrambi i lati per ottenere

l'impostazione dell'angolo di taglio obliquo sulla troncatrice (42°). Analogamente, per ottenere l'impostazione angolo di taglio inclinato della troncatrice (18°), seguire la linea verticale di intersezione fino alla sommità o al fondo. Provare sempre i tagli su alcuni pezzi di legno di scarto per verificare le impostazioni sulla troncatrice.

Esecuzione di tagli su battiscopa (fig. S)

Tagli rettilinei a 90°:

Posizionare il legno contro il guidapezzo e tenerlo in posizione come mostrato nella Figura S. Accendere la troncatrice, consentire alla lama di raggiungere la massima velocità e abbassare il braccio fluidamente attraverso il taglio.

Esecuzione di tagli su battiscopa fino a 3,5" (90 mm) di altezza in verticale contro il guidapezzo

Posizionare il materiale come mostrato in Figura S. Tutti i tagli vengono eseguiti con la parte posteriore della sagoma contro il guidapezzo e con il fondo della sagoma contro il banco.

| | Angolo interno | Angolo esterno |
|---------------|---|---|
| Lato sinistro | Taglio obliquo a sinistra 45° Tenere il lato sinistro del taglio | Taglio obliquo a destra 45° Tenere il lato sinistro del taglio |
| Lato destro | Taglio obliquo a destra 45° Tenere il lato destro del taglio | Taglio obliquo a sinistra 45° Tenere il lato destro del taglio |

I materiali fino a 3,5 mm (90 mm) possono essere tagliati secondo la procedura descritta di sopra.

Taglio di sagome a corona

Per ottenere un'elevata precisione, il taglio di sagome a corona viene eseguito in un taglio obliquo composto.

Le due superfici piane su un dato pezzo con sagoma a corona sono ad angoli tali che, ove sommati, sono esattamente pari a 90°. La maggior parte, ma non tutte, le sagome a corona hanno un angolo posteriore in alto (la sezione che aderisce al soffitto) di 52° e un angolo posteriore in basso (la parte che si adatta al muro) di 38°.

La troncatrice ha speciali punti di arresto per taglio obliquo preimpostati a 31,6° a sinistra e a destra per il taglio delle sagome a corona all'angolazione corretta. È inoltre presente una marcatura sulla scala di regolazione inclinazione a 33,8°. La tabella Impostazione taglio inclinato/Tipo di taglio fornisce le impostazioni corrette per il taglio di sagome a corona. (I numeri per le impostazioni di taglio obliquo e inclinato sono molto precisi e non facili da impostare con precisione sulla sega.) Dal momento che la maggior parte delle camere non ha angoli esattamente pari a 90°, sarà comunque necessario regolare le impostazioni in ogni caso.

Istruzioni per il taglio di sagome a corona di piatto

e l'utilizzo delle funzioni per il taglio composto

- ◆ Appoggiare la sagoma con ampia superficie posteriore rivolta verso il basso di piatto sul banco della sega (36) (fig. T1).
- ◆ Le impostazioni di seguito sono valide per tutti i modelli di sagome a corona standard con angoli di 52° e 38°.

| Impostazione di taglio inclinato | Tipo di taglio |
|----------------------------------|--|
| 33,8° | LATO SINISTRO, ANGOLO INTERNO: 1. Parte superiore della sagoma contro il guidapezzo 2. Banco del taglio obliquo impostato a destra 31,62° 3. Tenere la terminazione sinistra del taglio |
| 33,8° | LATO DESTRO, ANGOLO INTERNO: 1. Parte inferiore della sagoma contro il guidapezzo 2. Banco del taglio obliquo impostato a sinistra 31,62° 3. Tenere la terminazione sinistra del taglio |
| 33,8° | LATO SINISTRO, ANGOLO ESTERNO: 1. Parte inferiore della sagoma contro il guidapezzo 2. Banco del taglio obliquo impostato a sinistra 31,62° 3. Tenere la terminazione destra del taglio |
| 33,8° | LATO DESTRO, ANGOLO ESTERNO: 1. Parte superiore della sagoma contro il guidapezzo 2. Banco del taglio obliquo impostato a destra 31,62° 3. Tenere la terminazione destra del taglio |

Nota: Quando si impostano gli angoli di taglio inclinato e taglio obliquo per tutti i tagli composti, ricordare che gli angoli presentati per le sagome a corona sono molto precisi e difficili da impostare esattamente. Poiché possono facilmente spostarsi di poco e pochissime stanze hanno angoli esattamente quadrati, tutte le impostazioni dovrebbero essere testate su sagome di scarto.

Metodo alternativo per il taglio di sagome a corona

Posizionare la sagoma ad angolo tra il guidapezzo (11) e il banco della sega (36), con il lato superiore della sagoma sul banco e il lato inferiore della sagoma sul guidapezzo come mostrato nella figura T1.

Il vantaggio di tagliare la sagoma a corona con questo metodo è che non è richiesto alcun taglio inclinato. È possibile effettuare regolazioni fini dell'angolo di taglio inclinato senza influire sull'angolo di taglio obliquo. In tal modo, quando si affrontano angoli diversi da 90°, è possibile regolare la troncatrice in modo rapido e semplice.

Istruzioni per il taglio di sagome a corona angolato tra il guidapezzo e la base della troncatrice per tutti i tagli

Questa sega è in grado di tagliare sagome a corona fino a 9/16" (14 mm) x 3-5/8" (92 mm).

- ◆ Angolare la sagoma in modo che la parte inferiore della sagoma (la parte che va contro la parete una volta installata) si trovi contro il guidapezzo (11) e la parte superiore della sagoma sia appoggiata sul banco della troncatrice (36), come mostrato in figura T2.
- ◆ Le "parti piatte" angolate sul retro della sagoma devono

rimanere perpendicolari sul guidapezzo e il banco della (36) troncatrice.

| | Angolo interno | Angolo esterno |
|---------------|---|---|
| Lato sinistro | Taglio obliquo a destra 45° Tenere il lato destro del taglio | Taglio obliquo a sinistra 45° Tenere il lato destro del taglio |
| Lato destro | Taglio obliquo a sinistra 45° Tenere il lato sinistro del taglio | Taglio obliquo a destra 45° Tenere il lato sinistro del taglio |

Tagli speciali

Non effettuare mai alcun taglio a meno che il materiale non sia fissato al banco e contro il guidapezzo.

Materiale inarcato (fig. U1, U2)

Per praticare tagli su materiali piegati, posizionare sempre i materiali come illustrato nella figura U1, mai come nella figura U2. Il posizionamento scorretto del materiale causa l'incagliamento della lama vicino al completamento del taglio.

Taglio di materiale rotondo

Il materiale rotondo viene fissato o tenuto saldamente contro il guidapezzo per evitare che rotoli. Tale accorgimento è estremamente importante durante l'esecuzione di tagli ad angolo.

Taglio di materiali di grandi dimensioni (fig. V)

A volte un pezzo di legno può essere troppo grande per essere posto sotto la protezione inferiore della lama. Per rimuovere il legno dalla protezione, con la sega spenta e la mano destra sull'impugnatura di azionamento, posizionare il pollice destro fuori dalla parte superiore della protezione e ruotare la protezione quanto basta per rimuovere il legno, come mostrato nella figura V. Rilasciare la protezione prima di avviare il motore. Il meccanismo della protezione funzionerà correttamente durante il taglio. Fare quanto sopra solo ove necessario.

NON LEGARE, FERMARE CON NASTRO ADESIVO O SALDARE IN ALTRO MODO LA PROTEZIONE IN POSIZIONE APERTA DURANTE L'USO DELLA TRONCATRICE.

Manutenzione

Avvertenza! Per ridurre il rischio di gravi lesioni personali, spegnere l'apparato e staccare la batteria prima di trasportare, eseguire qualsiasi regolazione o rimozione/installazione di dotazioni o accessori. Un avvio accidentale potrebbe provocare lesioni.

Avvertenza! Per ridurre il rischio di gravi lesioni personali, NON toccare i punti affilati sulla lama con le dita o le mani mentre si effettua qualsiasi intervento di manutenzione. NON utilizzare lubrificanti o detergenti (specialmente spray o aerosol) in prossimità della protezione in plastica. Il materiale in policarbonato utilizzato nella protezione è soggetto all'attacco da parte di determinati agenti chimici.

- ◆ Tutti i cuscinetti sono sigillati. Sono lubrificati a vita e non necessitano di ulteriore manutenzione.

- ◆ Eliminare periodicamente tutta la polvere e i trucioli di legno attorno E SOTTO la base e il piano rotante. Anche se sono presenti delle fessure per consentire il passaggio dei detriti, si accumulerà della polvere.
- ◆ Le spazzole sono progettate per offrire diversi anni di utilizzo. Se è necessaria la loro sostituzione, riportare l'utensile al centro di assistenza più vicino per la riparazione.

Ricerca e risoluzione guasti

| Problema | Possibile causa | Soluzione |
|--|---|--|
| La sega non si avvia. | La batteria non è inserita. | Inserire la batteria. Fare riferimento a Inserimento e rimozione del pacco batteria. |
| | Batteria scarica. | Caricare la batteria. Fare riferimento alla Procedura di ricarica. |
| | Le spazzole sono usurate | Far sostituire le spazzole da un centro di assistenza autorizzato. |
| La sega pratica tagli insoddisfacenti. | Lama smussata | Sostituire la lama. Fare riferimento a Sostituzione o montaggio di una nuova lama. |
| | Lama montata all'indietro. | Girare la lama. Fare riferimento a Sostituzione o montaggio di una nuova lama. |
| | Gomma da masticare o pece sulla lama | Rimuovere la lama e pulire con lana d'acciaio a grana grossa e trementina o un detergente per fono domestico. |
| | Lama errata per il lavoro svolto. | Cambiare tipo di lama. |
| La luce di lavoro lampeggia. | Batteria scarica | Caricare la batteria. Fare riferimento alla Procedura di ricarica. |
| La macchina vibra in modo eccessivo. | Sega non montata in modo sicuro per il supporto o il banco di lavoro. | Serrare tutti i dispositivi di fissaggio. Fare riferimento a Fissaggio al banco |
| | Supporto o banco su pavimento irregolare. | Riposizionare su una superficie piana. |
| | Lama della sega danneggiata. | Sostituire la lama. Fare riferimento a Sostituzione o montaggio di una nuova lama. |
| Non esegue tagli obliqui accurati. | Scala di quartabuono non regolata correttamente. | Controllare e regolare. Fare riferimento a Regolazione scala taglio inclinato in Regolazioni. |
| | La lama non è in linea retta rispetto al guidapezzo. | Controllare e regolare. Fare riferimento a Regolazione scala taglio inclinato in Regolazioni. |
| | La lama non è perpendicolare al banco. | Controllare e regolare il guidapezzo. Fare riferimento a Taglio inclinato perpendicolare alla regolazione del banco sotto Regolazioni. |
| | Il pezzo si muove | Stringere saldamente il pezzo da lavorare al guidapezzo o incollare carta vetrata a grana 120 al guidapezzo con cemento di gomma. |
| | Piastra di taglio usurata o danneggiata. | Portarla in un centro di assistenza autorizzato. |
| Il materiale pizzica la lama. | Taglio di materiale inarcato. | Fare riferimento a Materiale inarcato sotto Tagli speciali. |

Protezione dell'ambiente

Effettuare la raccolta differenziata. I prodotti e le bat-



terie contrassegnati con questo simbolo non devono essere smaltiti con i rifiuti domestici normali.

Essi contengono materiali che possono essere recuperati o riciclati, riducendo la richiesta di materie prime.

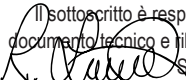
Riciclare i prodotti elettrici e le batterie secondo le disposizioni locali. Ulteriori informazioni sono disponibili all'indirizzo web www.2helpU.com

Troncatrice radiale scorrevole FMCS701

Stanley Europe dichiara che questi prodotti descritti al paragrafo "Dati tecnici" sono conformi a:
EN62841-1:2015, EN62841-3-9:2015+A11:2017

Questi prodotti sono anche conformi alle Direttive
2006/42/CE, 2014/30/UE e 2011/65/UE.

Per ulteriori informazioni contattare Stanley Fat Max al seguente indirizzo oppure consultare l'ultima di copertina del manuale.

Il sottoscritto è responsabile della redazione di questo documento tecnico e rilascia questa dichiarazione a nome di
 Stanley Fat Max.

Ray Laverick
Direttore tecnico
Stanley Fat Max Europe, 210 Bath Road, Slough,
Berkshire, SL1 3YD
Regno Unito
28/06/2018

Garanzia

Stanley Europe è sicura della qualità dei propri prodotti e offre ai consumatori una garanzia di 12 mesi dalla data di acquisto. Il presente certificato di garanzia è complementare ai diritti legali e non li pregiudica in alcun modo. La garanzia è valida sui territori degli stati membri dell'Unione Europea e dell'EFTA (Associazione europea di libero scambio).

Per attivare la garanzia, il reclamo deve essere effettuato in accordo con i Termini e Condizioni Stanley Fat Max e sarà necessario presentare la prova di acquisto al venditore o all'agente di riparazione autorizzato. I Termini e condizioni della garanzia Stanley Europe di 1 anno e la sede dell'agente di riparazione autorizzato più vicino sono consultabili su Internet all'indirizzo www.2helpU.com, o contattando l'ufficio Stanley Europe di zona all'indirizzo indicato in questo manuale.

Visitare il nostro sito www.stanley.eu/3 per registrare il nuovo prodotto Stanley Fat Max e ricevere gli aggiornamenti sui nuovi prodotti e le offerte speciali.

Dati tecnici

| FMCS701 (H1) | | | |
|------------------------------------|-------------|----|----------|
| Tensione | V | | 18 |
| Velocità | /min | | 3.800 |
| Diametro esterno lama | mm | | 190 |
| Diametro del foro | mm | | 16 |
| Taglio max. lama | mm | | 1,8 |
| Peso senza batteria | kg | | 10 |
| Spessore lama | mm | | 1,0 |
| Taglio obliquo (posizioni max) | ° | | 47 |
| Taglio inclinato (posizioni max.) | ° | | 47 |
| Taglio obliquo 0° | orizzontale | mm | 50 x 216 |
| | verticale | mm | 90 x 15 |
| Taglio obliquo 45° a destra | orizzontale | mm | 50 x 152 |
| | verticale | mm | 90 x 15 |
| Taglio obliquo di 45° a sinistra | orizzontale | mm | 50 x 152 |
| | verticale | mm | 90 x 15 |
| Taglio inclinato di 45° a sinistra | orizzontale | mm | 50 x 152 |
| | verticale | mm | 50 x 15 |

| Caricabatterie | | 905998** typ. 1 | 906086** typ. 1 |
|--------------------------------|-----------------|-----------------|-----------------|
| Tensione in ingresso | V _{AC} | 230 | 230 |
| Tensione erogata | V _{DC} | 18 | 18 |
| Corrente erogata | A | 1 | 2 |
| Tempo di carica approssimativo | Min | 90 - 240 | 45 - 120 |

| Batteria | | FMC689L | FMC687L | FMC688L |
|----------|-----------------|--------------------|--------------------|--------------------|
| Tensione | V _{DC} | 18 | 18 | 18 |
| Capacità | Ah | 1,5 | 2,0 | 4,0 |
| Tipo | | Agli ioni di litio | Agli ioni di litio | Agli ioni di litio |

| Livello di pressione sonora misurato in base a EN 62841: | |
|---|--|
| L _{PA} (pressione sonora) 83,0 dB(A), Incertezza (K) 3 dB(A) | |
| L _{WA} (potenza sonora) 94,5 dB(A), Incertezza (K) 3 dB(A) | |

Dichiarazione di conformità CE

DIRETTIVA MACCHINE



Bedoeld gebruik

De Stanley Fat Max FMCS701, een zaag voor samengesteld verstek met geleiderail is uitsluitend ontworpen voor het zagen van hout, kunststof en non-ferrometaal. Dit gereedschap is bedoeld voor professionele gebruikers en voor privé-gebruik door niet-professionele gebruikers.

Veiligheidsinstructies

Algemene veiligheidswaarschuwingen voor elektrisch gereedschap



Waarschuwing! Lees alle veiligheidswaarschuwingen, instructies, illustraties en specificaties die bij dit gereedschap zijn meegeleverd. Wanneer de volgende waarschuwingen en voorschriften niet in acht worden genomen, kan dit een elektrische schok, brand of ernstig letsel tot gevolg hebben.

Bewaar alle waarschuwingen en instructies als referentiemateriaal. De hierna gebruikte term 'elektrisch gereedschap' in alle waarschuwingen die hieronder worden vermeld, heeft betrekking op elektrisch gereedschap voor gebruik op netspanning (met netsnoer) of met een accu (snoerloos).

1. Veilige werkomgeving

- a. **Houd uw werkomgeving schoon en goed verlicht.** Op rommelige of donkere plekken zullen sneller ongelukken gebeuren.
- b. **Werk niet met elektrisch gereedschap in een omgeving met explosiegevaar, zoals in de nabijheid van brandbare vloeistoffen, gassen of stof.** Elektrisch gereedschap veroorzaakt vonken die het stof of de dampen kunnen doen ontbranden.
- c. **Houd kinderen en omstanders tijdens het gebruik van elektrisch gereedschap op afstand.** Als u wordt afgeleid, kunt u de controle over het gereedschap verliezen.

2. Elektrische veiligheid

- a. **De netstekker van het elektrisch gereedschap moet in het stopcontact passen. Pas de stekker nooit op enige manier aan. Gebruik geen adapterstekkers in combinatie met geaard elektrisch gereedschap.** Niet-aangepaste stekkers en passende contactdozen verminderen het risico van een elektrische schok.
- b. **Vermijd aanraking van het lichaam met geaarde oppervlakken, bijvoorbeeld buizen, verwarmingen, fornuizen en koelkasten.** Er bestaat een verhoogd risico van een elektrische schok als uw lichaam contact heeft met aarde.
- c. **Stel elektrisch gereedschap niet bloot aan regen en vocht.** Als er water in een elektrisch gereedschap dringt, verhoogt dit het risico van een elektrische schok.

- d. **Behandel het snoer voorzichtig. Gebruik het snoer nooit om het elektrisch gereedschap te dragen of naar u toe te trekken, of de stekker uit het stopcontact te halen. Houd het snoer uit de buurt van warmtebronnen, olie, scherpe randen, of bewegende onderdelen.** Beschadigde snoeren of snoeren die in de war zijn geraakt, verhogen het risico van een elektrische schok.
- e. **Gebruik, wanneer u buitenshuis met elektrisch gereedschap werkt, alleen verlengsnoeren die zijn goedgekeurd voor gebruik buitenshuis.** Het gebruik van een verlengsnoer dat geschikt is voor buiten vermindert het risico van een elektrische schok.
- f. **Als u met elektrisch gereedschap werkt op een vochtige locatie, gebruik dan een aardlekschakelaar (RCD).** Het gebruik van een aardlekschakelaar vermindert het risico van een elektrische schok.

3. Persoonlijke veiligheid

- a. **Blijf alert, let goed op wat u doet en ga met verstand te werk bij het gebruik van elektrisch gereedschap. Gebruik elektrisch gereedschap niet als u vermoeid bent of onder de invloed van drugs, alcohol of medicatie bent.** Een moment van onoplettendheid tijdens het werken met elektrisch gereedschap kan leiden tot ernstig persoonlijk letsel.
- b. **Draag persoonlijke beschermende uitrusting. Draag altijd oogbescherming.** Beschermende uitrusting, zoals een stofmasker, antislip veiligheidsschoenen, een helm, of gehoorbescherming, gebruikt in de juiste omstandigheden, zal het risico op persoonlijk letsel verminderen.
- c. **Voorkom per ongeluk inschakelen. Controleer dat de schakelaar in de uit-stand staat voordat u het gereedschap aansluit op het stopcontact en/of de accu plaatst en voordat u het gereedschap optilt of gaat dragen.** Het dragen van elektrisch gereedschap met uw vinger op de schakelaar of het aanzetten van elektrisch gereedschap waarvan de schakelaar aan staat, kan leiden tot ongelukken.
- d. **Verwijder instelgereedschap of schroefsleutels voordat u het elektrisch gereedschap inschakelt.** Een steeksleutel of een inbussleutel in een draaiend deel van het elektrisch gereedschap kan tot persoonlijk letsel leiden.
- e. **Reik niet buiten uw macht. Blijf altijd stevig en in balans op de grond staan.** Dit geeft u betere controle over het elektrisch gereedschap in onverwachte situaties.
- f. **Draag geschikte kleding. Draag geen loszittende kleding of sieraden. Houd uw haar, kleding en handschoenen uit de buurt van bewegende onderdelen.** Loszittende kleding, sieraden of lang haar kunnen door bewegende delen worden gegrepen.

- g. Als voorzieningen voor stofafzuiging of stofopvang kunnen worden gemonteerd, controleer dan dat deze zijn aangesloten en op de juiste wijze worden gebruikt.** Het gebruik van stofafzuiging kan aan stof gerelateerde gevaren verminderen.
- h. Word niet gemakzuchtig doordat u door veelvuldig gebruik vertrouwd bent geraakt met het gereedschap, en verlies niet de veiligheidsbeginselen uit het oog.** Een onvoorzichtige handeling kan in een fractie van een seconde ernstig letsel tot gevolg hebben.
- 4. Gebruik en onderhoud van elektrisch gereedschap**
- a. Overbelast het elektrisch gereedschap niet. Gebruik het juiste elektrisch gereedschap voor uw toepassing.** Met het juiste elektrisch gereedschap kunt u de werkzaamheden waarvoor het gereedschap is ontworpen, beter en veiliger uitvoeren.
- b. Gebruik het elektrisch gereedschap niet als de schakelaar niet goed werkt.** Ieder elektrisch gereedschap dat niet met de schakelaar kan worden bediend, is gevaarlijk en moet worden gerepareerd.
- c. Trek de stekker uit het stopcontact en/of de accu uit het elektrisch gereedschap voordat u het gereedschap instelt, accessoires wisselt of het elektrisch gereedschap opbergt.** Dergelijke preventieve veiligheidsmaatregelen verminderen het risico dat het elektrisch gereedschap per ongeluk wordt gestart.
- d. Bewaar elektrisch gereedschap dat niet wordt gebruikt, buiten bereik van kinderen. Laat niet personen die er niet vertrouwd mee zijn en deze aanwijzingen niet hebben gelezen met het gereedschap werken.** Elektrisch gereedschap is gevaarlijk in handen van ongetrainde gebruikers.
- e. Onderhoud elektrisch gereedschap en accessoires goed. Controleer dat bewegende delen van het elektrisch gereedschap wel goed functioneren en niet klemmen, en dat er niet onderdelen zodanig zijn gebroken of beschadigd dat de werking van het gereedschap nadelig wordt beïnvloed. Laat het gereedschap voor gebruik repareren als het beschadigd is.** Veel ongelukken worden veroorzaakt door slecht onderhouden elektrisch gereedschap.
- f. Houd zaag- en snijgereedschap scherp en schoon.** Goed onderhouden zaaggereedschap met scherpe snijvlakken loopt minder snel vast en is gemakkelijker onder controle te houden.
- g. Gebruik elektrisch gereedschap, accessoires, zaagjes en boortjes, enz., volgens deze aanwijzingen. Let daarbij op de arbeidsomstandigheden en de uit te voeren werkzaamheden.** Gebruik van het elektrisch gereedschap voor werkzaamheden die anders zijn dan bedoeld, kan leiden tot een gevaarlijke situatie.
- h. Houd de handgrepen droog, schoon en vrij van olie en vet.** Gladde handgrepen en vette oppervlakken maken het moeilijk het gereedschap veilig te hanteren en onder controle te houden in onverwachte situaties.
- 5. Gebruik en onderhoud van accugereedschap**
- a. Laad accu's alleen op met de door de fabrikant aanbevolen lader.** Een lader die geschikt is voor het ene type accu, kan een risico van brand doen ontstaan bij gebruik met een andere accu.
- b. Gebruik elektrisch gereedschap alleen in combinatie met specifiek vermelde accu's.** Het gebruik van andere accu's kan gevaar voor letsel en brand opleveren.
- c. Houd de accu, wanneer u deze niet gebruikt, weg bij andere metalen objecten zoals paperclips, munten, sleutels, spijkers, schroeven of andere kleine metalen voorwerpen die een verbinding tot stand kunnen brengen tussen de ene pool en de andere.** Als kortsluiting tussen de polen van de accu wordt gemaakt, kan dit tot brandwonden of brand leiden.
- d. Wanneer de accu slecht wordt behandeld, kan er vloeistof uit de accu spuiten, vermijd contact met deze vloeistof. Als er per ongeluk contact ontstaat, spoel dan met water. Als de vloeistof in de ogen komt, roep dan tevens medische hulp in.** Vloeistof uit de accu kan irritatie en brandwonden veroorzaken.
- e. Gebruik niet accu's of gereedschappen die beschadigd zijn of waarvan wijzigingen zijn aangebracht.** Beschadigde of gemodificeerde accu's kunnen zich onvoorspelbaar gedragen wat brand, explosie of een risico van letsel met zich mee kan brengen.
- f. Stel een accu of gereedschap niet bloot aan vuur of uitzonderlijk hoge temperaturen.** Blootstelling aan vuur of een temperatuur boven 130° C kan explosie tot gevolg hebben.
- g. Volg alle instructies voor het opladen en laad de accu of het gereedschap niet bij een temperatuur buiten het temperatuurbereik dat wordt opgegeven in de instructies.** Onjuist opladen of opladen bij temperaturen buiten het opgegeven bereik kan de accu beschadigen en het risico van brand vergroten.
- 6. Service**
- a. Laat het gereedschap alleen repareren door gekwalificeerd en vakkundig personeel en alleen met originele vervangingsonderdelen.** De veiligheid van het gereedschap blijft dan gewaarborgd.
- b. Voer nooit servicewerkzaamheden uit aan accu's.** Alleen de fabrikant of een geautoriseerd servicecentrum mag servicewerkzaamheden aan accu's uitvoeren.

Veiligheidsinstructies voor verstekzagen

- ◆ **Verstekzagen zijn bedoeld voor het zagen van hout of houtproducten, zij kunnen niet worden gebruikt met slijpschijven voor het zagen van ferro-materialen, zoals staven, stangen, steunen, enz.** Door stofdeeltjes die ontstaan bij het zagen kunnen bewegende delen, zoals de onderste beschermkap, vast komen te zitten. Vonken die ontstaan bij zagen en slijpen zullen inbranden op de onderste beschermkap, het inzetstuk voor de zaagsnede en andere kunststof onderdelen.
- ◆ **Ondersteun het werkstuk met klemmen wanneer dat maar mogelijk is. Ondersteunt u het werkstuk met de hand, dan moet u uw hand altijd op een afstand van tenminste 100 mm van beide zijden van het zaagblad houden. Zaag met deze zaagmachine niet stukken die te klein zijn om stevig te worden vastgezet of vastgehouden te worden met de hand.** Bevindt uw hand zich te dicht bij het zaagblad, dan bestaat er het risico dat u letsel oploopt door contact met het zaagblad.
- ◆ **Het werkstuk moet stilliggen en tegen zowel de langsgeleiding als de tafel worden geklemd of gehouden.** Voer het werkstuk niet met de hand naar het zaagblad toe en zaag op geen enkele manier "uit de vrije hand". Werkstukken die niet zijn vastgezet en kunnen bewegen kunnen bij hoge snelheid worden teruggeworpen en daardoor kan letsel ontstaan.
- ◆ **Duw de zaag door het werkstuk. Trek niet de zaag door het werkstuk. Maak een zaagsnede door de zaagkop omhoog te zetten en uit te trekken over het werkstuk zonder te zagen, de motor te starten, de zaagkop omlaag te drukken en de zaag door het werkstuk te duwen.** Wanneer u zaagt door de zaag door het werkstuk te trekken zal het zaagblad mogelijk uit het werkstuk omhoog komen en het zaagblad met grote kracht in de richting van de gebruiker duwen.
- ◆ **Reik nooit met uw hand over de beoogde zaaglijn, niet voor en niet achter het zaagblad.** Het werkstuk "met gekruiste handen" ondersteunen, d.w.z. het werkstuk vasthouden rechts van het zaagblad met uw linkerhand of andersom, is heel gevaarlijk.
- ◆ **Reik met geen van beide handen achter de langsgeleiding op een afstand van minder dan 100 mm van een van beide zijden van het zaagblad, bijvoorbeeld om stukjes hout weg te nemen, of om welke andere reden dan ook, terwijl het zaagblad draait.** U zult misschien niet merken dat het draaiende zaagblad dicht bij uw hand is en u kunt ernstig gewond raken.
- ◆ **Inspecteer het werkstuk voordat u gaat zagen. Als het werkstuk gebogen is of krom, klem het dan vast met de buitenzijde van de gebogen kant naar de langsgeleiding. Let er altijd goed op dat er geen ruimte is tussen het werkstuk, de langsgeleiding en de tafel langs de zaaglijn.** Gebogen of kromme werkstukken kunnen wegdraaien en -schuiven en dat kan leiden tot het vastlopen tegen het ronddraaiende zaagblad tijdens het zagen. Er mogen geen spijkers of vreemde voorwerpen in het werkstuk zitten.
- ◆ **Gebruik de zaag pas wanneer de tafel vrij is van alle gereedschap, afgezaagde stukjes hout, enz., alleen het werkstuk mag erop liggen.** Kleine stukjes vuil of losse stukjes hout of andere voorwerpen die in contact komen met het ronddraaiende zaagblad, kunnen met hoge snelheid worden weggeslingerd.
- ◆ **Zaag niet meer dan één werkstuk tegelijkertijd.** Een stapel van meerdere werkstukken kan niet goed worden vastgeklemd of ondersteund en kan het zaagblad doen vastlopen of de stapel kan verschuiven tijdens het zagen.
- ◆ **Controleer, vóór gebruik, dat de verstekzaag is gemonteerd of geplaatst op een vlak, stevig werkoppervlak.** Een vlak en steviger werkoppervlak vermindert het risico dat de verstekzaag instabiel wordt.
- ◆ **Plan uw werkzaamheden. Iedere keer dat u de instelling van de afschuining of van de verstekhoek wijzigt, moet u controleren dat de verstelbare langsgeleiding goed is afgesteld voor ondersteuning van het werkstuk en niet een belemmering kan vormen voor het zaagblad of het systeem van beschermkappen.** Verplaats, zonder het gereedschap in te schakelen ("ON") en zonder een werkstuk op de tafel, volledig langs de beoogde zaagsnede, zodat u zeker weet dat er geen belemmeringen zijn en u niet in de langsgeleiding zaagt.
- ◆ **Zorg voor voldoende ondersteuning, zoals verlengstukken van de tafel, zaagbokken, enz. voor een werkstuk dat breder of langer is dan het bovenblad van de tafel.** Werkstukken die langer of breder zijn dan de verstekzaagtafel, kunnen omvallen als zij niet stevig worden ondersteund. Als het afgezaagde gedeelte of het werkstuk omvalt, kan het de onderste beschermkap omhoog duwen of kan het worden weggeslingerd door het ronddraaiende zaagblad.
- ◆ **Werk niet met een ander persoon als vervanging van een verlengstuk van de tafel of als extra ondersteuning.** Instabiele ondersteuning voor het werkstuk kan het zaagblad doen vastlopen of kan het werkstuk tijdens de zaagwerkzaamheden verschuiven, waardoor u of uw hulp naar het ronddraaiende zaagblad wordt getrokken.
- ◆ **Het af te zagen stuk mag niet op welke manier dan ook tegen het ronddraaiende zaagblad worden geklemd of gedrukt.** Als er niet voldoende ruimte is voor het afgezaagde gedeelte, d.w.z. bij gebruik van lengtestoppen, kan het afgezaagde stuk tegen het zaagblad worden gedrukt en met kracht worden weggeslingerd.
- ◆ **Gebruik altijd een klem of een stuk gereedschap dat is ontworpen voor het op juiste wijze ondersteunen van rond materiaal, zoals stangen of buizen.** Stangen kunnen weggrollen wanneer ze worden gezaagd, waardoor

het zaagblad "hapt" en het werkstuk met uw hand in het zaagblad wordt getrokken.

- ◆ **Laat het zaagblad eerst geheel op snelheid komen voordat u contact maakt met het werkstuk.** Dit beperkt het risico dat het werkstuk wordt weggeslingerd.
- ◆ **Als het werkstuk of het zaagblad bekneld raakt, schakel de verstekzaag dan uit. Wacht tot alle bewegende onderdelen tot stilstand zijn gekomen en trek de stekker uit het stopcontact en/of neem de accu uit. Werk vervolgens aan het vrijmaken van het vastgelopen materiaal.** Gaat u door met zagen terwijl het werkstuk bekneld is geraakt, dan kan dat leiden tot verlies van controle of tot beschadiging van de verstekzaag.
- ◆ **Laat, nadat u de zaagsnede hebt voltooid, de schakelaar los, houdt de zaagkop omlaag, wacht tot het zaagblad tot stilstand is gekomen en verwijder dan pas het afgezaagde gedeelte.** Het is gevaarlijk met uw hand in de buurt van het uitlopende zaagblad te komen.

Aanvullende veiligheidsinstructies voor verstekzagen

- ◆ Het bedoelde gebruik wordt beschreven in deze gebruiksaanwijzing. Het gebruik van andere accessoires of hulpstukken of uitvoering van andere handelingen met dit gereedschap dan die in deze instructiehandleiding worden aanbevolen, kan leiden tot persoonlijk letsel en/of materiële schade.
- ◆ Gebruik geen gescheurde/verbogen/beschadigde/vervormde zaagbladen.
- ◆ Vervang de zaagplaat wanneer deze versleten is.
- ◆ Gebruik geen zaagbladen met een grotere of kleinere diameter dan wordt aanbevolen. Raadpleeg de technische gegevens voor de juiste afmetingen van het zaagblad. Gebruik alleen de zaagbladen die worden opgegeven in deze handleiding, en die voldoen aan EN 847-1.
- ◆ Gebruik geen HSS-zaagbladen (High Speed Steel).



Waarschuwing! Contact met of inademing van het stof dat bij zaagtoepassingen vrijkomt, kan de gezondheid van de gebruiker en omstanders schaden. Draag een stofmasker dat speciaal is ontworpen ter bescherming tegen stof en dampen, en zorg ervoor dat andere personen op de werkplek ook zijn beschermd.

- ◆ Verwerk geen materiaal dat asbest bevat. Asbest wordt beschouwd als een kankerverwekkende stof.
- ◆ Draag handschoenen wanneer u zaagbladen en ruwe materialen vasthoudt (zaagbladen moeten in een houder worden vervoerd, wanneer dat praktisch mogelijk is).
- ◆ Draag gehoorbescherming zodat het risico van gehoorverlies wordt verminderd.
- ◆ Overweeg het gebruik van speciaal ontworpen zaagbladen die minder geluid maken.

- ◆ Draag bescherming van uw ogen zodat het risico van persoonlijk letsel wordt beperkt.
- ◆ Gebruik de bijgeleverde stofzak wanneer u hout zaagt.
- ◆ **Houd het gereedschap alleen vast aan geïsoleerde oppervlakken als u een handeling uitvoert waarbij het accessoire van het zaaggereedschap in contact kan komen met verborgen bedrading of het eigen netsnoer.** Als een draad onder spanning wordt geraakt door het snijdende hulpstuk, komen onbedekte metalen onderdelen van het gereedschap onder spanning te staan en kunt u een elektrische schok krijgen.
- ◆ Selecteer het juiste zaagblad voor het materiaal dat u wilt zagen.
- ◆ Gebruik de machine niet als de beschermkap niet is aangebracht. Gebruik de machine niet als de beschermkap niet werkt of niet goed is onderhouden.
- ◆ Controleer dat de arm stevig is vastgezet wanneer u schuine zaagsneden uitvoert.
- ◆ Controleer voor iedere zaagsnede dat de machine stabiel is.
- ◆ Houd de handvatten droog, schoon en vrij van olie en vet.
- ◆ Houd de ruimte rond de machine schoon en vrij van losse materialen zoals spaanders en zaagresten.
- ◆ Zorg dat de machine en de werkruimte goed worden verlicht met centrale verlichting of verlichting op de werkplek.
- ◆ Zorg dat de machine uitsluitend wordt bediend door mensen die daarvoor zijn opgeleid.
- ◆ Controleer vóór gebruik altijd of het zaagblad correct is aangebracht. Het is belangrijk dat het zaagblad in de juiste richting draait. Houd het zaagblad scherp. Volg de instructies voor het smeren en het vervangen van accessoires.
- ◆ Controleer dat de snelheid die op het zaagblad wordt vermeld, ten minste gelijk is aan de snelheid die op de zaag wordt vermeld.
- ◆ Let erop dat eventuele tussenringen en asringen geschikt zijn voor het doel dat door Stanley Fat Max wordt vermeld.
- ◆ Reparaties aan het geleidingssysteem voor de zaaglijn mogen alleen worden uitgevoerd door erkende servicemonteurs of Stanley Fat Max-servicepersoneel.
- ◆ Neem de accu uit de machine voordat u onderhoudswerk uitvoert of het zaagblad verwisselt.
- ◆ Voer nooit reinigings- of onderhoudswerkzaamheden uit en verwijder geen zaagresten of andere delen van het werkstuk uit het zaaggebied wanneer de machine draait of de zaagkop niet in de ruststand staat.
- ◆ Monteer wanneer mogelijk de machine altijd op een werkbank.
- ◆ Zorg dat alle vergrendelingsknoppen en handgrepen goed vastzitten voordat u de machine in gebruik neemt.
- ◆ Gebruik de zaag nooit zonder het tafelement.
- ◆ Probeer nooit de draaiende machine snel te stoppen door een stuk gereedschap of een ander voorwerp tegen het

zaagblad te duwen. Dit kan onbedoeld leiden tot ernstige ongevallen.

- ◆ Lees de gebruikershandleiding voordat u eventuele hulpstukken gebruikt of plaatst. Onjuist gebruik van een accessoire kan schade veroorzaken.
- ◆ Til de zaag uit het tafel-inzetstuk en uit het werkstuk voordat u de aan/uit-schakelaar loslaat.
- ◆ Zet niet iets vast tegen de ventilator met het doel de motoras vast te zetten.
- ◆ De zaagbladbeschermkap op uw zaag zal automatisch omhoog gaan wanneer de arm zakt, de kap zal over het zaagblad zakken wanneer de arm wordt opgetild. U kunt de beschermkap met de hand omhoog brengen wanneer u zaagbladen monteert of verwijdert of als u de zaag wilt inspecteren. Til de kap nooit met de hand op als de machine niet is uitgeschakeld.
- ◆ Controleer zo nu en dan dat de luchtsleuven van de motor schoon zijn en dat er geen spaanders in zitten.
- ◆ Zorg dat de waarschuwingssymbolen op het elektrische gereedschap altijd goed zichtbaar blijven.
- ◆ Ga nooit op het elektrische gereedschap staan. Wanneer het elektrische gereedschap omvalt of wanneer u in aanraking komt met het zaagblad, kan dit leiden tot ernstige verwondingen.
- ◆ Pak het zaagblad na werkzaamheden niet vast voordat het is afgekoeld. Het zaagblad wordt tijdens het werken heel heet.
- ◆ Voorkom letsel door materiaal dat wordt weggeslingerd, door eerst de accu uit de zaag te nemen, en verwijder daarna klein materiaal.
- ◆ Controleer voor en na alle onderhoudswerkzaamheden dat de beschermkap van de zaag goed werkt. Let erop dat de zaag is uitgeschakeld en de accu is uitgenomen wanneer u deze test uitvoert. Breng de arm omhoog en omhoog en controleer zo dat de beschermkap het zaagblad bedekt, maar het zaagblad de beschermkap niet raakt. Laat het gereedschap repareren door een gekwalificeerd servicecentrum als de beschermkap niet goed werkt. Informeer bij de klantenservice van Stanley Fat Max naar het dichtstbijzijnde servicecentrum.
- ◆ **Deze afkortzaag is uitsluitend ontworpen voor het zagen van hout, kunststof en non-ferrometaal.** Gebruik de zaag niet voor het zagen van andere materialen dan die de fabrikant aanbeveelt.
- ◆ Ikke ta på sagbladet før det har fått tid å kjøle seg ned etter bruk. Sagbladet kan bli svært varm ved bruk.



Waarschuwing! Door het zagen van kunststoffen, nat hout en andere materialen kan zich gesmolten of gedroogd materiaal op de tip van het zaagblad en op het zaagblad zelf afzetten, waardoor het risico van oververhitting en van vastlopen van het zaagblad tijdens het zagen kan toenemen.

Veiligheid van anderen

- ◆ Dit gereedschap mag worden gebruikt door kinderen van 8 jaar en ouder en personen die lichamelijk of geestelijk minder valide zijn of die geen ervaring met of kennis van de machine hebben, als zij onder toezicht staan en instructies krijgen voor veilig gebruik van de machine en de mogelijke gevaren begrijpen.
- ◆ Kinderen mogen niet met het apparaat spelen. Laat kinderen nooit zonder toezicht het gereedschap schoonmaken of onderhouden.

Overige risico's

De volgende risico's horen bij het gebruik van zagen:

- Zelfs wanneer de veiligheidsvoorschriften in acht worden genomen en de veiligheidsvoorzieningen worden gebruikt, kunnen bepaalde risico's niet worden uitgesloten. Dit zijn onder meer:
- ◆ Verwondingen die worden veroorzaakt door het aanraken van draaiende of bewegende onderdelen.
 - ◆ Gehoorbeschadiging.
 - ◆ Risico van ongelukken door de onbedekte delen van het ronddraaiende zaagblad.
 - ◆ Risico van verwondingen bij het vervangen van onderdelen, zaagbladen of accessoires.
 - ◆ Risico van het knellen van de vingers bij het openen van de beschermkappen.
 - ◆ Gezondheidsrisico's door het inademen van zaagsel dat ontstaat bij het zagen van hout, in het bijzonder eiken, beuken en MDF.
 - ◆ Verwondingen die worden veroorzaakt door langdurig gebruik van gereedschap. Wanneer u langere periodes met gereedschap werkt, kunt u het beste regelmatig een pauze nemen.

Geluid

De aangegeven geluidsemissie waarde is gemeten conform een standaardtestmethode en kan worden gebruikt om gereedschappen met elkaar te vergelijken.

De aangegeven geluidsemissie waarde kan ook worden gebruikt bij een voorlopige bepaling van blootstelling.

Waarschuwing! De geluidsemissie waarde het werkelijke gebruik van het elektrisch gereedschap kan afwijken van de aangegeven waarde, afhankelijk van de manier waarop het gereedschap wordt gebruikt en welk type werkstuk wordt bewerkt.

Waarschuwing! Draag altijd geschikte gehoorbescherming. Onder bepaalde omstandigheden en bij een zekere gebruiksduur kan het lawaai van dit product leiden tot gehoorbeschadiging. Houd rekening met de volgende factoren die van invloed zijn bij de blootstelling aan lawaai:

- ◆ Gebruik zaagbladen die zo zijn ontworpen dat zij minder lawaai maken,
- ◆ Gebruik alleen goede, scherpe zaagbladen en

- ◆ Gebruik speciaal ontworpen geluidsreducerende zaagbladen.

Etiketten op het gereedschap

De volgende pictogrammen worden met de datumcode op het gereedschap weergegeven:



Waarschuwing! De gebruiker moet de instructiehandleiding lezen zodat het risico van letsel wordt beperkt.



Draag een veiligheidsbril of oogbescherming.



Draag gehoorbescherming.



Draag een stofmasker.



Dit product mag niet worden gebruikt door kinderen onder de 16.



Houd handen weg bij zaagblad.



Geen handen zone - Houd vingers en armen uit de buurt van draaiende zaagbladen.



Draag handschoenen wanneer u zaagbladen vastpakt.



Kijk niet in de lamp.

Aanvullende veiligheidsinstructies voor accu's en laders

Waarschuwing! Het apparaat mag alleen worden gebruikt met de meegeleverde voedingseenheid.

Opmerking: Het aanbevolen bedrijfstemperatuurbereik van het gereedschap is 4 °C tot 40 °C.

Accu's

- ◆ Probeer nooit om welke reden dan ook de accu open te maken.
- ◆ Stel de accu niet bloot aan water.
- ◆ Bewaar de accu niet op locaties waar de temperatuur kan stijgen tot boven 40 °C.
- ◆ Laad de accu uitsluitend op bij een omgevingstemperatuur tussen 10 °C en 40 °C.
- ◆ Gebruik alleen de lader die bij het gereedschap is geleverd.
- ◆ Gooi lege accu's weg volgens de instructies in het gedeelte "Het milieu beschermen".



Probeer niet beschadigde accu's op te laden.

Laders

- ◆ Gebruik de lader van Stanley Fat Max alleen voor de accu's in het apparaat waarbij de lader is bijgeleverd. Andere accu's kunnen openbarsten, met persoonlijk letsel en materiële schade tot gevolg.
- ◆ Probeer nooit niet-oplaadbare accu's op te laden.
- ◆ Laat een defect snoer onmiddellijk vervangen.
- ◆ Stel de lader niet bloot aan water.
- ◆ Open de lader niet.
- ◆ Steek nooit een voorwerp in de lader.



De lader is uitsluitend bestemd voor gebruik binnenshuis.



Lees de instructiehandleiding voordat u de lader in gebruik neemt.

Elektrische veiligheid



De lader is dubbel geïsoleerd, en daarom is een aardendraad niet nodig. Controleer altijd dat de netspanning overeenkomt met de waarde op het typeplaatje. Probeer nooit de lader te voorzien van een normale netstekker.

- ◆ Als het netsnoer is beschadigd, moet dit, om ongelukken te voorkomen, worden vervangen door de fabrikant of in een Stanley Fatmax-servicecentrum.

Funcities

Dit gereedschap is voorzien van enkele of alle van de volgende functies.

1. Aan/uit-schakelaar
2. Bedieningshandgreep
3. Montagegaten
4. Onderste beschermkap
5. Verstekvergrendelingsknop
6. Verstekgrendelknop
7. Zaagplaat
8. Afkortschaal
9. Indicator verstekschaalverdeling
10. Draaggrepen
11. Langsgeleiding
12. Vergrendelingsknop afschuinhoek
13. Rails
- 13a. Klittenband
14. Stofpoort
15. Accu
16. Werklichtschakelaar
17. Hendel voor vergrendeling in de uit-stand
18. Schroef railvergrendeling
19. Gat voor montage van klem
20. Vergrendelingspen

Montage (Afb. A)

De verstekzaag is gedeeltelijk gemonteerd in de doos.

- ◆ Open de doos en til de zaag eruit aan de draaggrepen (10) in de grondplaat van de zaag (Afb. A).
- ◆ Plaats de zaag op een glad, vlak oppervlak, zoals een werkbank of een stevige tafel.
- ◆ Bestudeer het Montageschema op pagina 2 van deze handleiding zodat u de zaag en de diverse onderdelen leert kennen. Het hoofdstuk over afstellingen verwijst naar deze termen en u moet weten wat de onderdelen zijn en waar ze zich bevinden.
- ◆ De verstekvergrendelingsknop (5) is niet gemonteerd bij verzending af-fabriek. Neem de verstekvergrendelingsknop (5) uit de verpakking en schroef deze op de zaag, in afbeelding G en J ziet u waar dat moet.
- ◆ De zaag heeft een ingebouwde stofpoort (14) waarop de meegeleverde, maar niet gemonteerde, stofzak (35) of een in de winkel verkrijgbaar stofafzuigsystem kan worden aangesloten (Afb. M).

Zaagplaat (Afb. J)

De zaagplaat (7) wordt met 6 schroeven op de tafel gemonteerd. U kunt niet de hoogte van de zaagplaat (7) afstellen.

Opmerking: Als de zaagplaat (7) versleten of beschadigd is, of moet worden vervangen, moet de reparatie worden uitgevoerd door erkende reparatiemonteurs of door servicepersoneel van Stanley Fat Max.

Vergrendelingspen (Afb. F)

Waarschuwing! De vergrendelingspen mag UITSLUITEND worden gebruikt wanneer u de zaag draagt of opbergt.

Gebruik de vergrendelingspen NOOIT bij uw zaagwerkzaamheden.

Opmerking: Til, draag en ondersteun de verstekzaag bij vervoer aan de twee draaghandgrepen (10), die zich aan weerszijden van de grondplaat (Afb. A) van de verstekzaag bevinden.

U kunt de zaagkop in de neerwaartse stand vergrendelen door de zaagkop omlaag te duwen, de vergrendelingspen (20) in te duwen en de zaagkop los te laten. Zo wordt de zaagkop veilig omlaag gehouden en kan de zaag veilig van de ene plaats naar de andere worden vervoerd. U kunt de zaagkop losmaken door de kop omlaag te duwen en de pen uit te trekken.

Waarschuwing! Let er altijd op dat het gereedschap is uitgeschakeld en de accu uit het gereedschap is verwijderd, voordat u functies van het gereedschap aanpast of controleert.

De accu laden (afb. B)

Stanley FatMax-laders zijn ontworpen voor het laden van Stanley FatMax-accu's.

- ◆ Steek de lader (21) in een geschikt stopcontact voordat u een accu (15) plaatst.
- ◆ Plaats de accu (15) in de lader, en let er daarbij op dat de accu geheel in de lader komt te zitten (Afbeelding B).



Het LED-lampje (21a) gaat knipperen ten teken dat de accu wordt opgeladen.



Wanneer de accu geheel is opgeladen, blijft het LED-lampje ononderbroken branden. De accu is nu volledig opgeladen en kan worden gebruikt of in de acculader blijven zitten.

- ◆ Laad accu's die leeg zijn zo spoedig mogelijk na gebruik op, omdat anders de levensduur van de accu mogelijk ernstig wordt bekoet.
- ◆ Accu's hebben de langste levensduur wanneer u ze niet volledig ontlad. Aangeraden wordt de accu's na elk gebruik op te laden.

Diagnosefuncties van de lader (afb. C)

Deze lader is zo ontworpen dat bepaalde problemen die zich kunnen voordoen met de accu's of de stroombron, kunnen worden gedetecteerd. Wanneer er problemen zijn wordt dat aangeduid door één LED-lampje dat in verschillende patronen knippert.

Slechte accu



De lader kan vaststellen dat een accu zwak is of beschadigd. De LED knippert in een patroon dat op het label wordt aangeduid. Ziet u het lampje in dit patroon van een slechte accu knipperen, ga dan niet door met het opladen van de accu. Breng de accu terug naar het servicecentrum of naar een inzamellocatie waar de accu kan worden gerecycled.

Hot/cold pack delay (vertraging hete/koude accu)



Wanneer de lader waarneemt dat een accu veel te warm of veel te koud is, wordt onmiddellijk een Hot/Cold Delay gestart en wordt het laden uitgesteld tot de accu een normale temperatuur heeft bereikt. Zodra dit het geval is, schakelt de lader automatisch over op de stand Accu opladen. Deze functie waarborgt een maximale levensduur van de accu. Het lampje knippert in een patroon dat op het label wordt aangeduid.

De accu in de lader laten

U kunt de accu voor onbepaalde tijd in de lader laten terwijl het LED-lampje blijft branden. De lader houdt de accu vers en volledig opgeladen. De lader heeft een automatische opwaardeerstand die de afzonderlijke cellen in de accu van gelijke lading voorziet of de lading ervan in evenwicht brengt zodat de accu optimaal kan presteren. Accu's moeten elke week worden opgewaardeerd of wanneer de accu niet meer hetzelfde rendement geeft. Plaats, als u de automatische

opwaardeerstand wilt gebruiken, de accu in de lader en laat de accu ten minste 8 uur in de lader zitten.

Belangrijke opmerkingen over laden

- ◆ De langste levensduur en de beste prestaties kunnen worden bereikt als de accu wordt opgeladen bij een luchttemperatuur tussen 18 °C – 24 °C. LAAD DE ACCU NIET OP bij een luchttemperatuur lager dan +4,5 °C of hoger dan +40 °C. Dit is belangrijk en zal voorkomen dat de accu ernstig beschadigd raakt.
- ◆ De lader en de accu zullen tijdens het laden bij aanraking misschien warm aanvoelen. Dit is normaal en wijst niet op een probleem.
- ◆ Plaats de accu en de lader na gebruik niet in een warme omgeving, zoals een metalen schuur of een niet-geïsoleerde aanhangwagen, laat ze op een koele plaats afkoelen.
- ◆ Als de accu niet goed wordt opgeladen:
 - ◆ Controleer de werking van het stopcontact door een lamp of een ander apparaat aan te sluiten;
 - ◆ Controleer of het stopcontact is aangesloten op een lichtsakelaar, die het stopcontact stroomloos maakt wanneer u het licht uitdoet;
 - ◆ Verplaats de lader en de accu naar een locatie waar de omgevingstemperatuur tussen ongeveer 18 °C – 24 °C ligt;
 - ◆ Als de problemen met het laden aanhouden, breng dan het gereedschap, de accu en de lader naar het servicecentrum bij u in de buurt.
- ◆ De accu moet worden opgeladen wanneer de accu niet voldoende vermogen levert voor taken die eerder gemakkelijk konden worden uitgevoerd. WERK NIET LANGER met het apparaat in deze omstandigheden. Volg de procedure voor het laden. U kunt ook een gedeeltelijk lege accu opladen, wanneer u dat maar wilt, zonder dat dat negatieve gevolgen heeft voor de accu.
- ◆ Vreemde materialen met geleidende eigenschappen, zoals, maar niet bij uitsluiting, slijpstof, metaalsnippers, staalwol, aluminiumfolie of een opeenhoping van metalen deeltjes moeten uit de uitsparingen van de lader worden gehouden. Trek de stekker van de lader uit het stopcontact voordat u de lader gaat reinigen.
- ◆ Laat de lader niet bevriezen en dompel de lader niet onder in water of andere vloeistoffen.

De accu plaatsen en verwijderen (afb. D, E)

- ◆ Plaats de accu (15) door deze op één lijn te plaatsen met het contragedeelte op het gereedschap (22). Schuif de accu in het vak en duw tot de accu op z'n plaats klikt.
- ◆ Duw, wanneer u de accu wilt verwijderen, op de ontgrendelingsknop (15a) en trek tegelijkertijd de accu uit het vak, zoals wordt getoond in afbeelding E.

Een zaagblad verwisselen of een nieuw zaagblad plaatsen (Afb H, I, J)

Waarschuwing! Beperk het risico van ernstig persoonlijk letsel: zet het gereedschap uit en neem de accu uit, voordat u het gereedschap vervoert, een aanpassing uitvoert of hulpstukken of accessoires verwijderd/installeert. Wanneer de machine per ongeluk wordt gestart, kan dat leiden tot letsel.

Het zaagblad uitnemen

- ◆ Verwijder de accu (15) uit de zaag.
- ◆ Breng de arm in de hoogste stand en haal de onderste beschermkap (4) zo ver mogelijk omhoog.
- ◆ Draai de voorste schroef van de beugel van de beschermkap los, maar verwijder de schroef (24) niet, tot de u beugel (25) zover omhoog kunt zetten dat u toegang krijgt tot de schroef (26) van het zaagblad. De onderste beschermkap zal omhoog blijven staan als gevolg van de positie van de schroef van de beugel van de beschermkap.
- ◆ Druk de asvergrendelingsknop (28) in terwijl uw voorzichtig het zaagblad (29) met de hand rondraait tot de vergrendeling ingrijpt.
- ◆ Houd de knop ingedrukt, en draai met de andere hand met de zeskantige zijde van de bijgeleverde steeksleutel de schroef (26) van het zaagblad los. (Naar rechts draaien, linkse draad.)
- ◆ Verwijder de schroef (26) van het zaagblad met de zeskantige zijde van de bijgeleverde steeksleutel, en ook de buitenste klemring (30) en het zaagblad (29). De binnenste klemring (31) kan op de as (32) blijven zitten.

Het zaagblad plaatsen

- ◆ Verwijder de accu (15) uit de zaag.
- ◆ Plaats, met de arm in een de bovenste stand, de onderste beschermkap (4) geopend en de beugel (25) van de beschermkap naar boven, het zaagblad (29) op de as (32) en tegen de binnenste zaagbladklem (31), met de tanden van het zaagblad wijzend in de rotatierichting, zoals op de zaag wordt vermeld.
- ◆ Plaats de buitenste klemring (30) op de as (32).
- ◆ Plaats de zaagbladschroef (26) en draai de schroef (26) stevig vast met de bijgeleverde steeksleutel, terwijl u de asvergrendeling (28) vastzet (draai naar links, linkse draad).
- ◆ Zet de beugel (25) van de beschermkap in de oorspronkelijke gehele neerwaartse positie en zet de schroef (24) van de beugel van de beschermkap stevig vast, zodat de beugel op z'n plaats vastzit.

Geleidingssysteem van de zaaglijn

Waarschuwing! Kijk niet direct in het werklicht. Dit kan tot ernstig oogletsel leiden.

Opmerking: De accu moet opgeladen zijn en in de verstek-zaag zijn gezet.

Het geleidingssysteem van de zaaglijn kan alleen worden In-Of Uiteschakeld met de werklightschakelaar (16).

U kunt langs een bestaande potloodlijn zagen op een stuk hout:zagen door het geleidingssysteem van de zaaglijn in te schakelen met de werklightschakelaar (16) (niet met de hoofdschakelaar), en vervolgens de bedieningshandgreep (2) naar beneden te trekken en het zaagblad dichtbij het hout te brengen.

De schaduw van het zaagblad verschijnt op het hout. Deze schaduwlijn geeft het materiaal aan dat het zaagblad zal verwijderen wanneer de zaagsnede wordt uitgevoerd.

U kunt uw zaagsnede nauwkeurig op de potloodlijn plaatsen door de potloodlijn uit te lijnen met de rand van de schaduw van het zaagblad. Bedenk wel dat u om de potloodlijn nauwkeurig te kunnen volgen, misschien de verstekhoek of de afschuinhoek moet aanpassen.

De zaag is voorzien van een functie die een storing van de accu aangeeft. Het werklucht begint te knippen wanneer de accu het einde van de bruikbare lading nadert, of wanneer de accu te heet is geworden. Wissel de accu en ga daarna door met uw zaagwerkzaamheden. Raadpleeg de procedure voor het laden bij Belangrijke veiligheidsinstructies voor accu's, voor instructies voor het laden van de accu.

Afstellen van de verstekhoek (Afb. J)

Met de vergrendelingsknop (5) van de verstekhoek en de verstekgrendelknop (6) kunt u uw zaag in een verstek van 47° rechts en 47° links afstellen. De verstekgrendel zal automatisch ingrijpen op 0°, 15°, 22,5°, 31,6° en 45° zowel links als rechts. U kunt de zaag in verstek zetten door het vergrendelingsmechanisme van de verstek te ontgrendelen door de verstekvergrendelingsknop (5) naar links los te zetten en naar rechts vast te zetten. Trek de verstekgrendelknop (6) omhoog, en stel de verstekhoek van uw keuze in op de verstekschaalverdeling (8). Zet de verstekvergrendelingsknop (5) vast door deze naar rechts te draaien.

Vergrendelingsknop afschuinhoek (Afb. K)

Met de vergrendeling van de afschuinhoek kunt u de zaag in een afschuininstelling van 48° links instellen. U kunt de instelling van de afschuinhoek aanpassen door de knop (12) voorvergrendeling van de hoek naar links los te draaien. U kunt de vergrendelingsknop voor de afschuinhoek vastzetten door deze naar rechts te draaien.

Let op! Gevaar van beknelling. Let er vooral op dat u de knop voor vergrendeling van de afschuininstelling vastzet voordat u uitschakelstanden aanpast.

Aan/Uit-schakelaar (Afb. L)

Schakel de zaag in door de hendel (17) voor vergrendeling in de uit-stand naar links te duwen en vervolgens de aan/uit-schakelaar (1) in te drukken. De zaag zal werken zolang de schakelaar is ingedrukt. Laat het zaagblad geheel op

bedrijfsnelheid komen voordat u de zaagsnede maakt. U schakelt de zaag uit door de schakelaar los te laten. Laat het zaagblad tot stilstand komen en haal dan pas de zaagkop omhoog. Er is geen voorziening voor het vergrendelen van de schakelaar in de aan-stand. Er zit een gat (1a) in de aan/uit-schakelaar voor een hangslot waarmee de schakelaar kan worden vergrendeld in de uit-stand.

De zaag is niet voorzien van een automatische elektrische zaagbladrem, maar het zaagblad moet binnen 5 seconden tot stilstand komen nadat u de schakelaar hebt losgelaten. U kunt het niet instellen. Als de stoptijd herhaaldelijk langer is dan 5 seconden, laat het gereedschap dan nazien in een officieel Stanley FatMax-servicecentrum.

Let er altijd op dat het zaagblad tot stilstand is gekomen voordat u uit de zaagsnede verwijderd.

Stofafzuiging (Afb. M)

Waarschuwing! Beperk het gevaar van ernstig persoonlijk letsel: zet het gereedschap uit en neem de accu uit, voordat u het gereedschap vervoert, een aanpassing uitvoert of hulpstukken of accessoires verwijdert/installeert. Wanneer de machine per ongeluk wordt gestart, kan dat leiden tot letsel. De zaag heeft een ingebouwde stofpoort (14) waarop de meegeleverde stofzak (35) of een in de winkel verkrijgbaar stofafzuigsystem kan worden aangesloten.

De stofzak bevestigen

- ◆ Bevestig de stofzak (35) op de stofpoort (14), zoals wordt getoond in Afbeelding M.
- ◆ Er kan een stofzuigerslang (38 - niet meegeleverd) op de stofpoort (14) worden aangesloten, maar niet op de stofzak (35). Dit kunt u doen door de stofzuigerslang (38) te bevestigen in plaats van de stofzak (35), zie afbeelding M.
- ◆ Houd met behulp van het klittenband (13a) de stofzuigerslang (38) weg van de schuifrails (13) tijdens het werken met de zaag.

Opmerking: Het klittenband (13a) is niet een draaghandgreep en u mag niet de zaag er niet aan verplaatsen of vervoeren.

De stofzak leegmaken

- ◆ Neem de stofzak (35) los van de zaag en schud en klop de stofzak voorzichtig leeg.
- ◆ Bevestig de stofzak weer op de stofpoort (14).

U zult misschien merken dat niet alle stof uit de stofzak komt. Dit heeft geen gevolgen voor de prestaties van de zaag maar wel voor de doelmatigheid van de stofafzuiging. U kunt de doelmatigheid van de stofafzuiging van de zaag herstellen door de veer aan de binnenzijde van de stofzak in te drukken wanneer u de stofzak leegmaakt en de zak leeg te kloppen aan de binnenzijde van een vuilnisemmer of afvalbak.

Waarschuwing! Werk nooit met deze zaag zonder dat de stofzak is geplaatst. Houtstof kan gevaaren opleveren voor de ademhaling.

Werken met uw zaag

Als u de schuif functie niet gebruikt, is het belangrijk dat u de zaagkop zo ver mogelijk naar achteren duwt en dat de schroef van de railvergrendeling (18) is vastgezet. Zo voorkomt u dat de zaag langs de rails verschuift wanneer het zaagblad op het werkstuk ingrijpt.

Opmerking: ZAAG GEEN METAALHOUDENDE MATERIELEN OF METSELWERK MET DEZE ZAAG (NON-FERROMETALEN KUNNEN WEL MET DEZE ZAAG WORDEN GEZAAGD). Gebruik geen slijpschijven.

Opmerking: Raadpleeg voordat u gaat zagen de informatie over het in werking stellen van beschermkappen en over zichtbaarheid, in het hoofdstuk over afstellingen, voor belangrijke gegevens over de onderste beschermkap.

Afkortzaagsneden (afb. N)

Een afkortzaagsnede is een zaagsnede haaks op de nef onder een bepaalde hoek. Een rechte afkortzaagsnede wordt gemaakt met de verstekarm in de stand van nul graden. Stel de verstekarm in op nul en vergrendel de arm en houd het hout stevig op de tafel en tegen de langsgleiding. Schakel, terwijl de railvergrendelingsschroef (18) is vastgezet, de zaag in door de Aan/Uit-schakelaar (1) in te knijpen.

Laat, wanneer de zaag op snelheid komt (ongeveer 1 seconde), de arm gelijkmatig en langzaam zakken en zaag door het hout. Haal de arm pas omhoog als het zaagblad volledig tot stilstand is gekomen.

Wanneer u een werkstuk groter dan 51 x 102 mm (2" x 4") zaagt, maak dan een naar buiten gerichte achterwaartse beweging met een losse railvergrendelingsschroef (18). Trek de zaag naar buiten, naar u toe, laat de zaagkop zakken naar het werkstuk, en duw de zaag langzaam terug voor het voltooiën van de zaagsnede. Laat het zaagblad tijdens het naar buiten trekken niet in contact komen met de bovenzijde van het werkstuk. De zaag kan naar u toe komen, waardoor letsel of beschadiging van het werkstuk kan ontstaan.

Waarschuwing! Gebruik altijd een werkklam zodat u de controle behoudt en het risico van beschadiging van het werkstuk en van persoonlijk letsel beperkt, als u uw handen op een afstand van minder dan 15 cm van het zaagblad moet houden tijdens het zagen.

Opmerking! De schroef (18) van de railvergrendeling moet los staan zodat de zaag langs de rails kan glijden. Afkortzaagsneden in verstek maakt u met de verstekarm in een hoek die niet nul graden is.

Deze verstekhoek is vaak 45° voor het maken van hoeken, maar kan worden ingesteld in iedere stand tussen 47° links

of 47° rechts. Voer de zaagsnede uit zoals hierboven wordt beschreven.

Wanneer u een zaagsnede in verstek uitvoert op werkstukken die breder zijn dan 51 x 150 mm (2" x 6") en korter zijn, plaats dan altijd de langere zijde tegen de langsgleiding (Afb. N).

U kunt door een bestaande potloodlijn zagen op een stuk hout door de hoek zo dicht mogelijk te benaderen. Zaag het hout iets te lang en meet vanaf de potlood en tot de rand van de zaagsnede, bepaal in welke richting de verstekhoek moet worden aangepast en zaag opnieuw. Dit vraagt enige oefening, maar is een veelgebruikte techniek.

Schuine zaagsneden

Een schuine zaagsnede is een afkortzaagsnede die wordt gemaakt met het zaagblad in een hoek ten opzichte van het hout. U kunt de schuine van de zaagsnede instellen door de knop (12) voor het vergrendelen van de schuine zaagsnede los te draaien en de zaag naar eigen inzicht naar links te verplaatsen. Wanneer de hoek van de schuine zaagsnede is ingesteld zet u de vergrendelingsknop stevig vast. De hoek voor de schuine zaagsnede kan worden ingesteld van 3° naar rechts tot 48° naar links.

Kwaliteit van de zaagsnede

De gelijkmatigheid van een zaagsnede is afhankelijk van een aantal variabelen. Er zijn dingen als het materiaal dat wordt gezaagd, het type zaagblad, de scherpte van het zaagblad en de zaagsnelheid, deze dragen alle bij aan de kwaliteit van de zaagsnede. Wanneer een zo gelijkmatig mogelijke zaagsnede is vereist, voor mallen en ander precisiewerk, zullen een scherp zaagblad (60-tands carbide punt) en een langzamere, gelijkmatige zaagsnelheid de gewenste resultaten geven. Zorg er vooral voor dat het materiaal niet kan bewegen of opkruipen tijdens het zagen; klem het stevig op z'n plaats vast. Haal altijd de arm pas omhoog wanneer het zaagblad volledig tot stilstand is gekomen.

Als er nog kleine splinters hout aan de achterzijde van het werkstuk uitsteken, plak dan een stuk afdekkband op het hout waar de zaagsnede wordt gemaakt. Zaag door de tape heen en verwijder de tape voorzichtig wanneer u klaar bent. Raadpleeg voor diverse zaagtoepassingen de lijst van aanbevolen zaagbladen voor uw zaag en selecteer het blad dat het beste aan uw eisen voldoet. Raadpleeg Zaagbladen bij Als optie verkrijgbare accessoires.

Juiste positie van lichaam en hand (afb. O1–O4)

Plaats uw lichaam en handen bij het bedienen van de verstek-zaag in de juiste positie, dat maakt het zagen gemakkelijker, nauwkeuriger en veiliger. Blijf met uw handen uit de buurt van het zaaggebied. Plaats uw handen niet op een afstand van minder dan 15 cm van het zaagblad. Houd het werkstuk tijdens het zagen stevig tegen de tafel en de langsgleiding.

Houd u handen in die positie tot de Aan/Uit-schakelaar is vrijgegeven en het zaagblad volledig tot stilstand is gekomen. **PROBEER ALTIJD EERST ZAAGSNEDEN UIT (ZAAG UITGESCHAKELD) VOORDAT U ZE UITVOERT, ZODAT U HET PAD VAN HET ZAAGBLAD KUNT CONTROLEREN. ZET UW HANDEN NIET KRUISLINGS, ZOALS IN AFBEELDING O3 WORDT GETOOND.**

Houd beide voeten stevig op de vloer en blijf goed in evenwicht. Volg de verstekarm wanneer u deze naar links of naar rechts verplaatst, en sta iets opzij van het zaagblad. Kijk door de openingen in de beschermkap als u een potloodlijn volgt.

Het werkstuk vastklemmen

Waarschuwing! Beperk het gevaar van ernstig persoonlijk letsel: zet het gereedschap uit en neem de accu uit, voordat u het gereedschap vervoert, een aanpassing uitvoert of hulpstukken of accessoires verwijderd/installeert. Wanneer de machine per ongeluk wordt gestart, kan dat leiden tot letsel.

Waarschuwing! Een werkstuk dat is vastgeklemd, uitgebalanceerd en stevig ligt, voordat de zaagsnede wordt uitgevoerd, kan uit balans raken wanneer de zaagsnede is voltooid. Een belasting van de zaagtafel die uit balans is geraakt, zoals een tafel over werkbank, doen kantelen. Ondersteun, wanneer u een zaagsnede maakt die het werkstuk uit de balans kan brengen, het werkstuk goed en zorg ervoor dat de zaag stevig met bouten is vastgezet op een stabiel oppervlak. Persoonlijk letsel kan het gevolg zijn.

Waarschuwing! De klemvoet moet steeds boven de grondplaat van de zaag vastgeklemd blijven, wanneer de klem wordt gebruikt. Klem het werkstuk altijd vast op de grondplaat van de zaag – niet op een ander deel van het werkgebied. Controleer dat de klemvoet niet op de rand van de grondplaat van de zaag is geklemd.

Waarschuwing! Gebruik altijd een werkklem zodat u de controle behoudt en het risico van beschadiging van het werkstuk en van persoonlijk letsel beperkt, als u uw handen op een afstand van minder dan 15 cm van het zaagblad moet houden tijdens het zagen. Als u het werkstuk niet met de hand tegen de tafel of tegen de langsgleiding kunt vastzetten (door een onregelmatige vorm, enz.), of uw hand zou dan op een afstand van minder dan 15 cm van het zaagblad komen, moet u een klem of een ander stuk gereedschap gebruiken. Gebruik de materiaalklem die bij de zaag wordt geleverd. Neem voor het aanschaffen van een materiaalklem, contact op met uw leverancier ter plaats of met het Stanley FatMax-servicecentrum.

Andere hulpmiddelen zoals veerklemmen, lijmklems of klemschroeven kunnen waarschijnlijk goed van pas komen bij materiaal van bepaalde afmetingen en vormen. Ga

zorgvuldig te werk bij het selecteren en plaatsen van deze klemmen. Neem de tijd voor een proefzaagsnede voordat u de zaagsnede maakt.

Een klem plaatsen (afb. P)

- ◆ Steek de klem (37) in het gat (19) achter de langsgleiding. De klem moet wijzen naar de achterzijde van de verstekzaag. De groef op de stang van de klem moet geheel in de grondplaat worden gestoken. Let erop dat deze groef volledig in de grondplaat van de verstekzaag is gestoken. Als de groef zichtbaar is, zit de klem niet goed vast.
- ◆ Draai de klem 180° naar de voorzijde van de verstekzaag.
- ◆ Draai de knop los zodat u de klem omhoog of omlaag kunt afstellen, zet vervolgens het werkstuk stevig vast met de knop voor de fijnafstelling.

Opmerking: Plaats de klem aan de tegenovergestelde zijde van de grondplaat bij het maken van schuine zaagsneden. **PROBEER ALTIJD EERST ZAAGSNEDEN UIT (ZAAG UITGESCHAKELD) VOORDAT U ZE UITVOERT, ZODAT U HET PAD VAN HET ZAAGBLAD KUNT CONTROLEREN. CONTROLEER DAT DE KLEM NIET DE WERKING VAN DE ZAAG OF DE BESCHERMKAP VERHINDERT.**

Afstellingen

Uw verstekzaag is in de fabriek ten tijde van de productie volledig en nauwkeurig afgesteld. Als ten gevolge van het vervoer, van werkzaamheden of een andere oorzaak een nieuwe afstelling nodig is, volg dan onderstaande instructies voor het afstellen van uw zaag.

Wanneer deze afstellingen zijn uitgevoerd, zouden zij nauwkeurig moeten blijven. Neem even de tijd om deze aanwijzingen zorgvuldig op te volgen zodat de nauwkeurigheid waartoe deze zaag in staat is, gehandhaafd blijft.

Afstelling van de schaalverdeling voor verstekzaag (afb. Q1)

Vergrendel de arm in de neerwaartse positie. Ontgrendel de knop (5) voor de verstekvergrendeling en zwaai de verstekarm tot de verstekgrendelknop (6) wordt vergrendeld in de positie voor een verstek van 0°. Vergrendel de knop voor de verstekvergrendeling niet. Plaats een winkelhaak tegen de langsgleiding van de zaag en het zaagblad, zoals wordt getoond. (Raak de punten van de tanden van het zaagblad niet met de winkelhaak aan. Als u dat doet zal dat leiden tot een onnauwkeurige meting.)

Als de zaag niet precies haaks op de langsgleiding staat, maak de materiaalgeleiding dan los en verplaats deze tot het zaagblad haaks op de langsgleiding staat, volgens de aanduiding van de winkelhaak. Let dan niet op de uitlezing van de verstekaanwijzer.

Afstelling afschuinen haaks op de tafel (Afb. Q2)

U kunt het zaagblad haaks op het tabelblad uitlijnen door de arm in de neerwaartse positie te vergrendelen met behulp van de vergrendelingspen (20). Plaats een winkelhaak tegen het zaagblad, en let er daarbij op dat de winkelhaak niet boven op een tand staat. Draai de vergrendelingsknop voor de afschuinhoek (5) los en let erop dat de arm stevig tegen de 0° afschuinstop staat. Draai de 0° afschuinstelschroef met de 1/2" sleutel (12,7 mm) (niet meegeleverd), zodat het zaagblad in een hoek van 0° ten opzichte van de tafel staat, volgens de aanduiding van de winkelhaak.

Activering van de beschermkap en zichtbaarheid (Afb. V)

Waarschuwing! Gevaar van beknelling. Beperk het risico van letsel, houd uw duim onder de bedieningshandgreep wanneer u de handgreep omlaag trekt. De onderste beschermkap zal omhoog komen wanneer u de bediening omlaag trekt, en dan zou uw duim bekneld kunnen raken.

De onderste beschermkap (4) is ontworpen voor het automatisch vrijgeven van het zaagblad wanneer de arm omlaag wordt gebracht, en voor het bedekken van de arm wanneer de arm omhoog wordt gehaald.

U moet steeds na gebruik en na het uitvoeren van afstellingen de arm (met uitgeschakelde zaag) naar beneden halen en controleren dat de beschermkap gelijkmatig opent en volledig sluit. De beschermkap mag het zaagblad niet raken. Haal de beschermkap (met uitgeschakelde zaag) met de arm in opwaartse stand omhoog, zoals wordt getoond in Afbeelding V en laat de beschermkap weer los. De beschermkap moet snel volledig sluiten.

Gebruik de zaag niet als de beschermkap niet vrij beweegt en niet snel sluit. Klem of bind de beschermkap nooit vast in een open stand wanneer u met de zaag werkt.

U kunt de beschermkap met de hand omhoog brengen wanneer u zaagbladen monteert of verwijdert of als u de zaag wilt inspecteren.

BRENG DE ONDERSTE BESCHERMKAP NOOIT MET DE HAND OMHOOG ALS HET ZAAGBLAD NIET STILSTAAT.

Opmerking: Bij bepaalde speciale zaagsnede van grote stukken materiaal zult u de beschermkap met de hand omhoog moeten halen. Raadpleeg de aanwijzingen over het zagen van grote stukken materiaal bij speciale zaagsneden. Het voorste gedeelte van de beschermkap heeft langwerpige openingen, zodat u beter zicht hebt tijdens het zagen. Door de vorm van de openingen wordt de verspreiding van zaagsel drastisch beperkt, maar er kan wel stof worden weggeslingerd dus u moet te allen tijde een veiligheidsbril dragen.

Railgeleiding

Controleer de rails (13) zo nu en dan op speling of ruimte. U kunt de rails schoonmaken met een droge, schone doek.

Het zagen van schilderijlijsten, kleine vitrines en andere vierzijdige elementen (Afb. R1, R2)

U zult het beste begrijpen hoe de hier genoemde items moeten worden gemaakt wanneer u begint met het uitvoeren van enkele eenvoudige projecten van afvalhout, tot u "gevoel heeft" voor het werken met de zaag.

Uw zaag is het perfecte gereedschap voor het in verstek zagen van hoeken, zoals Afbeelding R1 laat zien.

Schematische voorstelling A in Afbeelding R2 toont een verbinding die wordt gemaakt door middel van een afstelling van een schuine hoek van de twee stukken materiaal op 45°, zodat een hoek van 90° ontstaat. Voor deze verbinding wordt de verstekarm vergrendeld in de nulpositie en de afschuinafstelling wordt vergrendeld op 45°. Het hout is geplaatst met de brede vlakke zijde tegen de tafel en de smalle zijde tegen de langsgleiding. De zaagsnede kan ook worden gemaakt door links en rechts verstek te zagen met de brede zijde tegen de langsgleiding.

Sierlijsten en andere lijsten zagen (afb. R2)

Schematische voorstelling B in Afbeelding R2 toont een verbinding die is gemaakt door de verstekarm op 45° te plaatsen en de twee stukkenmateriaal in verstek te zagen zodat een hoek van 90° ontstaat. U kunt dit type verbinding maken door de afschuinaanpassing op nul te stellen en de verstekarm op 45°. Plaats het hout weer met de brede vlakke zijde op de tafel en met de smalle zijde tegen de langsgleiding.

Afbeeldingen R1 en R2 zijn alleen voor vierzijdige objecten. Als het aantal zijden verandert, veranderen ook de verstekhoeken en de afschuinhoeken. Onderstaand schema geeft de juiste instellingen voor het zagen van een uiteenlopende reeks van vormen.

Voorbeelden

| Aantal zijden | Verstekhoek of afschuinhoek |
|---------------|-----------------------------|
| 4 | 45° |
| 5 | 36° |
| 6 | 30° |
| 7 | 25,7° |
| 8 | 22,5° |
| 9 | 20° |
| 10 | 18° |

Er wordt in de tabel vanuit gegaan dat alle zijden van gelijke lengte zijn. Gebruik voor een vorm die niet in het schema wordt getoond, de volgende formule: 180° gedeeld door het aantal zijden is gelijk aan het verstek (als het materiaal verticaal wordt gezaagd) of aan de schuine hoek (als het materiaal liggend wordt gezaagd).

Samengesteld verstek zagen (afb. R3)

Een samengesteld verstek is een zaagsnede die wordt gemaakt door een verstekhoek en een afschuinhoek tegelijkertijd toe te passen. Dit is het type zaagsnede dat wordt gebruikt voor het maken van lijsten of kisten met schuine zijde, zoals er een wordt getoond in afbeelding R3.

Opmerking: Als de zaaghoek verandert van zaagsnede tot zaagsnede, controleer dan dat de vergrendelingsknop van de afschuinhoek en de handgreep voor de verstekvergrendeling stevig zijn vergrendeld. Deze moeten worden vergrendeld nadat u veranderingen hebt aangebracht in de afschuinhoek of het verstek. Het schema aan het einde van deze handleiding (Tabel 1) helpt u bij het kiezen van de juiste afschuinhoek en instellingen van het verstek voor veelgebruikte samengestelde verstekzaagsneden. Gebruik het schema door de gewenste hoek A (Afb. R3) van uw project te selecteren en deze hoek op te zoeken op de bijbehorende parabool in het schema. Volg vanaf dat punt het schema recht naar beneden en kijk wat de juiste afschuinhoek is en vind in een rechte lijn ook de juiste verstekhoek.

Stel uw zaag af op de voorgeschreven hoeken en maak een aantal proef zaagsneden. Oefen in het in elkaar passen van de gezaagde stukken tot u de procedure in uw vingers krijgt en gemakkelijk kunt uitvoeren.

Voorbeeld: Als u een 4-zijdige kist wilt maken met buitenhoeken van 26° (hoek A, Afb. R3), gebruik dan de parabool rechts boven. Zoek waar zich 26° bevindt op de schaalverdeling. Volg de horizontale snijdende lijn naar één van beide zijden voor de instelling van de verstekhoek op de zaag (42°). Volg op dezelfde wijze de verticale snijdende lijn naar de bovenzijde of de onderzijde voor de instelling van de afschuinhoek van de zaag (18°). Probeer altijd zaagsneden uit op wat afvalhout zodat u de instellingen op de zaag kunt controleren.

Basissierlijsten zagen (afb. S)

Rechte zaagsneden van 90°:

Plaats het hout tegen de langsgeleiding en houd het op z'n plaats, zoals wordt getoond in Afbeelding S. Schakel de zaag in, laat het zaagblad volledig op snelheid komen en laat de arm gelijkmatig door de zaagsnede zakken.

Zagen van een basissierlijst tot 3,5" (90 mm) hoog verticaal tegen de langsgeleiding

Plaats het materiaal zoals wordt getoond in Afbeelding U. Alle zaagsneden moeten worden gemaakt met de achterzijde van de sierlijst tegen de langsgeleiding en met de onderzijde van de sierlijst tegen de tafel.

| | Binnenhoek | Buitenhoek |
|--------------|---|--|
| Linkerzijde | Verstek links 45° Behoud linkerzijde van zaagsnede | Verstek rechts 45° Behoud linkerzijde van zaagsnede |
| Rechterzijde | Verstek rechts 45° Behoud rechterzijde van zaagsnede | Verstek links 45° Behoud rechterzijde van zaagsnede |

Materiaal tot 3,5" (90 mm) kan worden gezaagd zoals hierboven wordt beschreven.

Kroonde lijsten zagen

Kroonlijsten passen alleen goed als zij met uiterste precisie in samengesteld verstek worden gezaagd.

De twee vlakke oppervlakken op een gegeven stuk van een kroonlijst hebben een hoek die, wanneer deze hoeken worden samengevoegd, precies 90° zijn. De meeste, maar niet alle, kroonlijsten hebben een hoek naar achteren aan de bovenzijde (het gedeelte dat tegen het plafond past) van 52° een hoek naar achteren aan de onderzijde (het gedeelte dat vlak tegen de wand past) van 38°.

De verstekzaag heeft speciale vooraf ingestelde vaste verstekpunten op 31,6° links en rechts voor het onder de juiste hoek zagen van kroonlijsten. Er is ook een merkteken op de schaalverdeling voor afschuinhoek op 33,8°.

De tabel voor Instelling van de afschuinhoek/Type zaagsnede geeft de juiste instellingen voor het zagen van kroonlijsten. (De getallen voor de instellingen van het verstek en de afschuining zijn zeer nauwkeurig en kunnen niet gemakkelijk precies op de zaag worden ingesteld.) Aangezien de meeste kamers geen hoeken hebben van precies 90°, zult u toch uw instellingen nauwkeurig moeten afstellen.

Instructies voor het zagen van kroonlijsten die vlak liggen en de functies voor samengesteld verstek gebruiken

- ◆ Leg de lijst met het bredere achterste oppervlak vlak op een zaagtafel (36) (afb. T1).
- ◆ De instellingen hieronder zijn voor alle standaard-kroonlijst en met hoeken van 52° en 38°.

| Instelling van de afschuinhoek | Type zaagsneden |
|--------------------------------|---|
| 33,8° | LINKERZIJDE, BINNENHOEK: 1. Bovenzijde van kroonlijst tegen langsgeleiding 2. Verstektafel ingesteld rechts 31,62° 3. Behoud linker uiteinde van zaagsnede |
| 33,8° | RECHTERZIJDE, BINNENHOEK: 1. Onderzijde van kroonlijst tegen langsgeleiding 2. Verstektafel ingesteld links 31,62° 3. Behoud linker uiteinde van zaagsnede |
| 33,8° | LINKERZIJDE, BUITENHOEK: 1. Onderzijde van kroonlijst tegen langsgeleiding 2. Verstektafel ingesteld links 31,62° 3. Behoud rechter uiteinde van zaagsnede |
| 33,8° | RECHTERZIJDE, BUITENHOEK: 1. Bovenzijde van kroonlijst tegen langsgeleiding 2. Verstektafel ingesteld rechts 31,62° 3. Behoud rechter uiteinde van zaagsnede |

Opmerking: Bedenk dat, wanneer u de schuine hoeken en verstekhoeken van alle samengestelde verstrekkers instelt, de hoeken die worden aangeboden voor kroonlijsten zeer nauwkeurig zijn en moeilijk precies kunnen worden ingesteld. Omdat zij gemakkelijk wat kunnen verschuiven en er maar heel weinig kamers zijn die precies vierkante hoeken hebben, moeten alle instellingen op een stukje afvalkroonlijst worden getest.

Alternatieve methode voor het zagen van kroonlijsten

Plaats de kroonlijst onder een hoek tussen de langsgleiding (11) en de zaagtafel (36), met de bovenzijde van de kroonlijst op de tafel en de onderzijde van de kroonlijst op de langsgleiding, zoals wordt getoond in afbeelding T1. Het voordeel van het met deze methode zagen van kroonlijsten is dat er geen schuine zaagsneden nodig is. Er kunnen zeer kleine veranderingen in de verstekhoek worden aangebracht zonder gevolgen voor de afschuinhoek. Op deze manier kan bij andere hoeken dan hoeken van 90° de zaag snel en gemakkelijk worden aangepast.

Instructies voor het zagen van kroonlijsten onder een hoek tussen de langsgleiding en de grondplaat voor alle zaagsneden

Deze zaag kan kroonlijsten van 9/16" (14 mm) x 3-5/8" (92 mm) genest zagen.

- ◆ Leg de kroonlijst zo in een hoek neer dat de onderzijde van de kroonlijst (het gedeelte dat tegen de wand uitkomt) tegen de langsgleiding (11) ligt en de bovenzijde van de kroonlijst op de zaagtafel (36) rust, zoals wordt getoond in afbeelding T2.
- ◆ De gehoekte "vlakke gedeelten" aan de achterzijde van de kroonlijst moeten recht tegen de langsgleiding en de zaagtafel (36) liggen.

| | Binnenhoek | Buitenhoek |
|--------------|---|--|
| Linkerzijde | Verstek rechts 45° Behoud rechterzijde van zaagsnede | Verstek links 45° Behoud rechterzijde van zaagsnede |
| Rechterzijde | Verstek links 45° Behoud linkerzijde van zaagsnede | Verstek rechts 45° Behoud linkerzijde van zaagsnede |

Speciale zaagsneden

Maak nooit een zaagsnede als het materiaal niet stevig vastligt op de tafel en tegen de langsgleiding ligt.

Gebogen materiaal (afb. U1, U2)

Wanneer u gebogen materiaal zaagt, moet u het altijd plaatsten zoals wordt getoond in afbeelding U1 en nooit zoals wordt getoond in afbeelding U2. Wanneer u het materiaal niet goed

plaatst zal dat ertoe leiden dat het zaagblad vastloopt aan het einde van de zaagsnede.

Rond materiaal zagen

Rond materiaal moet worden vastgeklemd stevig tegen de langsgleiding worden gehouden zodat het niet kan weggrollen. Dit is uiterst belangrijk wanneer u zaagsneden onder een hoek maakt.

Groot materiaal zagen (afb. V)

Zo nu en dan zult u een stuk hout willen zagen dat iets te groot is en niet onder de onderste beschermkap past. U kunt ruimte maken voor de beschermkap boven het hout door met de zaag uitgeschakeld en uw hand op de bedieningshandgreep uw rechterduim buiten het bovenste gedeelte van de beschermkap te plaatsen en de beschermkap precies genoeg omhoog te rollen zodat er ruimte is voor het hout, zoals wordt getoond in afbeelding V. Laat de beschermkap los voordat u de motor start. Het mechanisme van de beschermkap zal goed functioneren tijdens de zaagsnede. Doe dit alleen wanneer het nodig is.

MAAK DE BESCHERMKAP NOOIT VAST MET TAPE OF WAT DAN OOK, WANNEER U MET DEZE ZAAG WERKT.

Onderhoud

Waarschuwing! Beperk het gevaar op ernstig persoonlijk letsel: zet het gereedschap uit en neem de accu uit, voordat u het gereedschap vervoert, een afstelling uitvoert of hulpstukken of accessoires verwijdert/installeert. Wanneer de machine per ongeluk wordt gestart, kan dat leiden tot letsel.

Waarschuwing! Beperk het risico van persoonlijk letsel, RAAK NIET de scherpe punten van het zaagblad aan met uw vingers of handen tijdens het uitvoeren van onderhoudswerkzaamheden.

Gebruik GEEN smeermiddelen of reinigingsmiddelen (vooral niet in spuitbussen) in de buurt van de kunststof beschermkap. Het polycarbonaat materiaal dat in de beschermkap wordt gebruikt, kan door bepaalde chemicaliën worden aangetast.

- ◆ Alle lagers zijn verzegeld. Zij zijn levenslang voorzien van smering en vragen geen verder onderhoud.
- ◆ Verwijder zo nu en dan alle stof- en houtdeeltjes bij EN ONDER de basisplaat en het draaiplateau. Er zijn sleuven waardoor het stof en vuil kan passeren, maar er zal zich altijd stof verzamelen.
- ◆ De koolborstels zijn zo ontworpen dat u ze een aantal jaar kunt gebruiken. Als zij ooit moeten worden vervangen, breng het gereedschap dan terug voor reparatie naar het servicecentrum bij u in de buurt.

Problemen oplossen

| Probleem | Mogelijke oorzaak | Oplossing |
|---|--|---|
| Zaag start niet. | Accu is niet geplaatst. | Plaats de accu. Raadpleeg Accu plaatsen en uitnemen. |
| | Accu is niet opgeladen. | Laad de accu op. Raadpleeg de Laadprocedure. |
| | Koolborstels versleten | Laat de koolborstels vervangen door een erkend servicecentrum. |
| De zaagsneden die de zaag maakt voldoen niet. | Zaagblad is bot. | Vervang het zaagblad. Raadpleeg Een zaagblad verwisselen of een nieuw zaagblad plaatsen. |
| | Zaagblad achterstevoren gemonteerd. | Draai het zaagblad om. Raadpleeg Een zaagblad verwisselen of een nieuw zaagblad plaatsen. |
| | Lijm of hars op zaagblad. | Verwijder het zaagblad en maak het schoon met grof staalwol en terpentijn of een huishoudmiddel als een ovenreiniger. |
| | Niet het juiste zaagblad voor het werk dat wordt uitgevoerd. | Vervang het zaagblad door een blad van een ander type. |
| Werklicht knippert. | De accu is niet opgeladen | Laad de accu op. Raadpleeg de Laadprocedure. |
| Machine trilt heel erg. | Zaag niet stevig gemonteerd op standaard of werkbank. | Zet de montage materialen vast. Raadpleeg Montage op werkbank |
| | Standaard of werkbank staat op een ongelijke vloer. | Plaats opnieuw op een vlak, gelijk oppervlak. |
| | Beschadigd zaagblad. | Vervang het zaagblad. Raadpleeg Een zaagblad verwisselen of een nieuw zaagblad plaatsen. |
| Verstekzaagsneden zijn niet nauwkeurig. | Verstekschaalverdeling is niet goed afgesteld. | Controleer en stel af. Raadpleeg Afstelling verstekschaalverdeling bij Afstellingen. |
| | Zaagblad staat niet haaks op langsgleiding. | Controleer en stel af. Raadpleeg Afstelling afschuinen haaks op de tafel bij Afstellingen. |
| | Zaagblad staat niet haaks op tafel. | Controleer en stel de langsgleiding af. Raadpleeg Afstelling afschuinen haaks op de tafel bij Afstellingen. |
| | Werkstuk beweegt | Klem het werkstuk stevig tegen de langsgleiding of lijm schuurpapier 120 met rubberkit op de langsgleiding. |
| Zaagplaat versleten of beschadigd. | Breng de plaat naar een erkend servicecentrum. | |
| Materiaal klemt tegen de zaagblad. | U zaagt gebogen materiaal. | Raadpleeg de aanwijzingen over het zagen van gebogen materiaal bij Speciale zaagsneden. |

Het milieu beschermen



Gescheiden afvalinzameling. Producten en accu's waarop dit symbool is aangebracht, mogen niet bij het normale huishoudafval worden weggegooid.

Producten en accu's bevatten materialen die kunnen worden teruggewonnen of gerecycled en dat doet de vraag naar grondstoffen afnemen.

Recycle elektrische producten en accu's volgens de ter plaatse geldende bepalingen. Nadere informatie is beschikbaar op www.2helpU.com

Technische gegevens

| FMCS701 (H1) | | | |
|--------------------------------|-------------|----|----------|
| Spanning | V | | 18 |
| Snelheid | /tpm | | 3,800 |
| Buitendiameter zaagblad | mm | | 190 |
| Diameter van de uitboring | mm | | 16 |
| Max zaagsnede zaagblad | mm | | 1,8 |
| Gewicht zonder batterij | kg | | 10 |
| Dikte zaagblad | mm | | 1,0 |
| Verstek (max. posities) | ° | | 47 |
| Schuin afzagen (max. posities) | ° | | 47 |
| 0 grad. verstek | horizontaal | mm | 50 x 216 |
| | verticaal | mm | 90 x 15 |
| 45 grad. verstek rechts | horizontaal | mm | 50 x 152 |
| | verticaal | mm | 90 x 15 |
| 45 grad. verstek links | horizontaal | mm | 50 x 152 |
| | verticaal | mm | 90 x 15 |
| 45 grad. schuin links | horizontaal | mm | 50 x 152 |
| | verticaal | mm | 50 x 15 |

| Lader | | 905998** typ. 1 | 906086** typ. 1 |
|-------------------|-----------------|-----------------|-----------------|
| Ingangsspanning | V _{AC} | 230 | 230 |
| Uitgangsspanning | V _{DC} | 18 | 18 |
| Uitgangsstroom | A | 1 | 2 |
| Oplaadtijd ongeve | Min | 90 - 240 | 45 - 120 |

| Accu | | FMC689L | FMC687L | FMC688L |
|------------|-----------------|---------|---------|---------|
| Spanning | V _{DC} | 18 | 18 | 18 |
| Capaciteit | Ah | 1,5 | 2,0 | 4,0 |
| Type | | Li-Ion | Li-Ion | Li-Ion |

| Geluidsdruk niveau, volgens EN 62841: | |
|---------------------------------------|-------------------------------------|
| L _{PA} (geluidsdruk) | 83,0 dB(A), Onzekerheid (K) 3 dB(A) |
| L _{WA} (geluidsvermogen) | 94,5 dB(A), Onzekerheid (K) 3 dB(A) |

EG conformiteitsverklaring
RICHTLIJN VOOR MACHINES



FMCS701 Zaag voor samengesteld verstek op rails

Stanley Europe verklaart dat deze producten, die worden beschreven onder "Technische gegevens", voldoen aan: EN62841-1:2015, EN62841-3-9:2015+A11:2017

Deze producten voldoen tevens aan richtlijn 2006/42/EC, 2014/30/EU en 2011/65/EU.

Neem voor meer informatie contact op met Stanley Fat Max op het volgende adres of raadpleeg de achterzijde van de handleiding.

Ondergetekende is verantwoordelijk voor de compilatie van het technische bestand en doet deze verklaring namens Stanley Fat Max.

Ray Laverick

Engineering Director

Stanley Fat Max Europe, 210 Bath Road, Slough, Berkshire, SL1 3YD
Verenigd Koninkrijk
28-6-2018

Garantie

Stanley Europe heeft vertrouwen in zijn producten en biedt consumenten een garantie van 12 maanden vanaf de datum van aankoop. Deze garantie vormt een aanvulling op uw wettelijke rechten en beperken deze niet. De garantie is geldig op het grondgebied van de Lidstaten van de Europese Unie en de Europese Vrijhandelszone.

Voor een garantie-aanspraak moet uw aanspraak in overeenstemming zijn met de Voorwaarden en Conditie van Stanley Fat Max en moet u een bewijs van aankoop overleggen aan de verkoper of aan een geautoriseerde reparatiemonteur. Voorwaarden en condities van de 1-jarige garantie van Stanley Europa en het adres van de vestiging van het geautoriseerde reparatiecentrum bij u in de buurt, kunt u vinden op internet op www.2helpU.com of door contact op te nemen met het Stanley Europe-kantoor ter plaatse, op het adres dat in deze handleiding wordt vermeld.

Ga naar onze website www.stanley.eu/3 en registreer uw nieuwe product van Stanley Fat Max en ontvang informatie over nieuwe producten en speciale aanbiedingen.

Uso previsto

La sierra ingletadora deslizante Stanley Fat Max FMCS701 ha sido diseñada para serrar únicamente madera, plástico y metales no ferrosos. Esta herramienta ha sido concebida para usuarios profesionales y para usuarios no profesionales privados.

Instrucciones de seguridad

Advertencias de seguridad generales para herramientas eléctricas



¡Advertencia! Lea todas las advertencias de seguridad, instrucciones, ilustraciones y especificaciones suministradas con esta herramienta eléctrica. En caso de no atenerse a las siguientes advertencias e instrucciones de seguridad, podría producirse una descarga eléctrica, incendio o lesión grave.

Guarde todas las advertencias e instrucciones para futuras consultas. El término "herramienta eléctrica" empleado en las advertencias a continuación hace referencia a la herramienta eléctrica con alimentación de red (con cable) o alimentada por batería (sin cable).

1. Seguridad del área de trabajo

- a. Mantenga limpia y bien iluminada el área de trabajo.**
Las áreas en desorden u oscuras pueden provocar accidentes.
- b. No utilice herramientas eléctricas en entornos con peligro de explosión, como aquellos en los que haya líquidos, gases o polvos inflamables.** Las herramientas eléctricas originan chispas que pueden inflamar el polvo o los gases.
- c. Mantenga alejados a los niños y otras personas del área de trabajo al emplear la herramienta eléctrica.** Las distracciones pueden hacer que pierda el control sobre la herramienta.

2. Seguridad eléctrica

- a. El enchufe de la herramienta eléctrica debe corresponder a la toma de corriente. No modifique nunca el enchufe de ninguna forma. No utilice ningún enchufe adaptador con las herramientas eléctricas conectadas a tierra.** Los enchufes no modificados y las tomas de corriente compatibles reducen el riesgo de descarga eléctrica.
- b. Evite que su cuerpo toque partes conectadas o puestas a tierra tales como tuberías, radiadores, cocinas y refrigeradores.** Existe un mayor riesgo de descarga eléctrica si su propio cuerpo está conectado a tierra.

- c. **No exponga las herramientas eléctricas a la lluvia y a la humedad.** Si entra agua en una herramienta eléctrica, aumenta el riesgo de descarga eléctrica.
 - d. **Cuide el cable de alimentación. No use nunca el cable para transportar, tirar de la herramienta eléctrica o desenchufarla. Mantenga el cable alejado del calor, aceite, bordes afilados y piezas en movimiento.** Los cables dañados o enredados aumentan el riesgo de descarga eléctrica.
 - e. **Al trabajar con la herramienta eléctrica en la intemperie utilice solamente cables de prolongación homologados para su uso en exteriores.** La utilización de un cable adecuado para el uso en exteriores reduce el riesgo de descarga eléctrica.
 - f. **Si la utilización de una herramienta eléctrica en un lugar húmedo es inevitable, utilice una fuente protegida con un dispositivo diferencial residual (DDR).** El uso de un dispositivo diferencial residual reduce el riesgo de descarga eléctrica.
- 3. Seguridad personal**
- a. **Esté atento a lo que hace y emplee la herramienta eléctrica con prudencia. No maneje una herramienta eléctrica cuando esté cansado o bajo los efectos de drogas, medicamentos o alcohol.** Un momento de falta de atención cuando se manejan las herramientas eléctricas puede ocasionar lesiones personales graves.
 - b. **Utilice un equipo de protección personal. Utilice siempre protección ocular.** El uso del equipo protector como mascarillas antipolvo, calzado antideslizante, casco o protección auditiva para condiciones apropiadas reducirá las lesiones personales.
 - c. **Impida que la herramienta se ponga en marcha accidentalmente. Asegúrese de que el interruptor se encuentre en la posición de apagado antes de conectar la herramienta a la fuente de alimentación o a la batería, o de coger o transportar la herramienta.** Transportar herramientas eléctricas con el dedo puesto en el interruptor o herramientas eléctricas activadoras que tengan el interruptor encendido puede provocar accidentes.
 - d. **Retire las herramientas de ajuste o llaves fijas antes de encender la herramienta eléctrica.** Dejar una llave inglesa u otra llave puesta en una pieza en movimiento de la herramienta eléctrica puede ocasionar lesiones personales.
 - e. **Sea precavido. Mantenga un equilibrio adecuado y la estabilidad constantemente.** Esto permite un mejor control de la herramienta eléctrica en situaciones inesperadas.
 - f. **Lleve puesta una vestimenta de trabajo adecuada. No se ponga ropa suelta o joyas. Mantenga el cabello, la ropa y los guantes alejados de las piezas en movimiento.** La ropa suelta, las joyas y el pelo largo pueden quedar atrapados en las piezas en movimiento.
 - g. **Siempre que sea posible utilizar unos equipos de aspiración o captación de polvo, asegúrese de que estén montados y de se utilicen correctamente.** El uso de equipo de recogida de polvo puede reducir los riesgos relacionados con el polvo.
 - h. **Evite que la familiaridad adquirida con el uso frecuente de las herramientas le haga confiarse demasiado e ignorar las normas de seguridad de las herramientas.** Un descuido puede causar lesiones graves en una fracción de segundo.
- 4. Uso y cuidado de herramientas eléctricas**
- a. **No sobrecargue la herramienta eléctrica. Use la herramienta eléctrica correcta para su trabajo.** La herramienta eléctrica correcta funcionará mejor y con mayor seguridad si se utiliza de acuerdo con sus características técnicas.
 - b. **No utilice la herramienta eléctrica si no se puede encender y apagar con el interruptor.** Toda herramienta eléctrica que no pueda controlarse con el interruptor es peligrosa y debe ser reparada.
 - c. **Desconecte el enchufe de la herramienta eléctrica de la fuente de alimentación y/o la batería antes de realizar cualquier ajuste, cambiar accesorios o guardar la herramienta.** Dichas medidas de seguridad preventivas reducen el riesgo de poner en marcha accidentalmente la herramienta eléctrica.
 - d. **Guarde las herramientas eléctricas fuera del alcance de los niños y no permita que la utilicen las personas no familiarizadas con su uso o con estas instrucciones.** Las herramientas eléctricas son peligrosas en manos de personas no capacitadas.
 - e. **Realice el mantenimiento de sus herramientas eléctricas y accesorios. Compruebe que las piezas móviles no estén desalineadas ni atascadas, que no haya piezas rotas y cualquier otra condición que pudiera afectar al funcionamiento de la herramienta eléctrica. Si la herramienta eléctrica está dañada, llévela para que sea reparada antes de utilizarla.** Se ocasionan muchos accidentes por el mal mantenimiento de las herramientas eléctricas.
 - f. **Mantenga las herramientas de corte limpias y afiladas.** Hay menos probabilidad de que las herramientas de cortar con bordes afilados se bloqueen, y son más fáciles de controlar.
 - g. **Utilice la herramienta eléctrica, los accesorios, los útiles de la herramienta, etc. de acuerdo con estas instrucciones, y tenga en cuenta las condiciones de trabajo y la tarea que va a realizar.** El uso de la herramienta eléctrica para operaciones que no sean las previstas puede ocasionar una situación peligrosa.

- h. Mantenga las empuñaduras y superficies de agarre secas, limpias y libres de aceite y grasa.** Las empuñaduras resbaladizas y las superficies grasientas impiden aferrar y controlar la herramienta en situaciones imprevistas.
- 5. Uso y cuidado de la herramienta de baterías**
- a. Recárguela solo con el cargador especificado por el fabricante.** Un cargador adecuado para un tipo de batería puede provocar riesgos de incendios al ser utilizado con otra batería.
- b. Utilice las herramientas eléctricas solamente con las baterías recomendadas.** El uso de otras baterías puede suponer un riesgo de incendio y lesiones.
- c. Cuando no utilice la batería, manténgala alejada de objetos de metal como clips para papel, monedas, llaves, clavos, tornillos y otros pequeños objetos metálicos que pueden realizar una conexión de un terminal a otro.** Si se produce un cortocircuito entre los terminales de la batería, pueden ocasionarse incendios o quemaduras.
- d. En caso de uso abusivo puede salir líquido de la batería, evite el contacto. Si se produce un contacto accidental, lave con agua. Si el líquido se pone en contacto con los ojos, acuda además a un médico.** El líquido expulsado de la batería podrá provocar irritaciones o quemaduras.
- e. No use la batería ni la herramienta si están dañadas o han sido modificadas.** Las baterías dañadas o modificadas pueden tener reacciones imprevistas y causar incendios, explosión o riesgo de lesiones.
- f. No exponga la batería o la herramienta al fuego o a temperaturas excesivas.** La exposición al fuego o a una temperatura superior a 130 °C puede causar una explosión.
- g. Siga las instrucciones de carga y no cargue la batería o la herramienta fuera del rango de temperatura especificado en las instrucciones.** La carga incorrecta o fuera del rango de temperatura especificado puede dañar la batería y aumentar el riesgo de incendio.
- 6. Reparaciones**
- a. Esta herramienta eléctrica solo la puede reparar personal técnico autorizado que emplee exclusivamente piezas de repuesto originales.** Así se asegurará que se mantenga la seguridad de la herramienta eléctrica.
- b. Nunca repare la batería si está dañada.** La reparación de la batería puede ser efectuada únicamente por el fabricante o los proveedores de servicio autorizados.

Instrucciones de seguridad para todas las ingletadoras

- ◆ **Las ingletadoras están diseñadas para cortar madera o productos de madera. No pueden utilizarse con discos de corte abrasivos para cortar materiales ferrosos como barras, varillas, espárragos, etc.** El polvo abrasivo haría que las piezas móviles, como la protección interior, se atasquen. Las chispas producidas por el corte abrasivo quemarían la protección inferior, la inserción del corte y otras piezas de plástico.
- ◆ **Utilice pinzas para apoyar a la pieza cuando sea práctico. Si sostiene la pieza de trabajo con la mano, debe mantener siempre la mano al menos a 100 mm de cada lado de la hoja de la sierra. No utilice esta sierra para cortar piezas demasiado pequeñas para fijarse con seguridad o para sostenerse con la mano.** Si coloca la mano demasiado cerca de la hoja de la sierra, existe mayor riesgo de lesiones por el contacto con la hoja.
- ◆ **La pieza de trabajo debe estar fija y sujeta o colocada contra la guía y la mesa. No alimente la pieza de trabajo en la hoja ni corte nunca "a mano alzada".** Las piezas de trabajo sin sujeciones o en movimiento podrían ser lanzadas a velocidades elevadas, provocando lesiones.
- ◆ **Presione la sierra a través de la pieza de trabajo. No tire de la sierra a través de la pieza de trabajo. Para hacer un corte, eleve el cabezal de la sierra y sáquelo por encima de la pieza de trabajo sin cortar, arranque el motor, presione hacia abajo el cabezal de la sierra y presione la sierra a través de la pieza de trabajo.** Si corta en la carrera de tracción es posible que provoque que la hoja de la sierra suba hasta la parte superior de la pieza de trabajo y lance violentamente el conjunto de la hoja hacia el operario.
- ◆ **Nunca cruce la mano por la línea prevista de corte, delante o detrás de la hoja de la sierra.** Es muy peligroso sostener la pieza de trabajo "cruzando la mano", es decir, sosteniendo la pieza de trabajo a la derecha de la hoja de la sierra con la mano izquierda, o viceversa.
- ◆ **No acerque la mano detrás de la guía con ninguna de las manos más cerca de 100 mm desde cualquiera de los lados, para retirar restos de madera o por cualquier otra razón, mientras la hoja esté girando.** La cercanía a la mano de la hoja de la sierra giratoria podría no percibirse bien y podría sufrir una lesión grave.
- ◆ **Inspeccione la pieza de trabajo antes de cortar. Si la pieza de trabajo está arqueada o abarquillada, fíjela con la cara arqueada exterior hacia la guía. Asegúrese siempre de que no haya ningún espacio entre la pieza de trabajo, la guía y la mesa a lo largo de la línea de corte.** Las piezas de trabajo curvadas o abarquilladas pueden torcerse o desplazarse y podrían provocar su

unión a la hoja de la sierra giratoria mientras se corta. No debe haber clavos ni objetos extraños en la pieza de trabajo.

- ◆ **No utilice la sierra hasta que la mesa no esté libre de cualquier herramienta, residuos de madera, etc., y solo quede la pieza de trabajo.** Los desechos pequeños o las piezas sueltas de madera u otros objetos que contacten con la hoja giratoria podrían salir disparados a gran velocidad.
- ◆ **Corte únicamente una pieza de trabajo cada vez.** Múltiples piezas de trabajo apiladas no pueden fijarse ni asegurarse correctamente y podrían enlazarse a la hoja o moverse durante el corte.
- ◆ **Asegúrese de que la ingletadora esté montada o colocada en una superficie de trabajo plana y firme antes de utilizarla.** Una superficie de trabajo plana y firme reduce el riesgo de que la ingletadora se vuelva inestable.
- ◆ **Planifique el trabajo. Cada vez que cambie el ajuste del bisel o del ángulo del inglete, asegúrese de que la guía ajustable esté ajustada correctamente para sujetar la pieza de trabajo y de que no interferirá con la hoja o el sistema de protección.** Sin encender la herramienta y sin ninguna pieza de trabajo en la mesa, mueva la hoja de la sierra en un corte simulado completo para garantizar de que no habrá perturbaciones ni peligro de cortar la guía.
- ◆ **Proporcione soporte adecuado como extensiones de mesa, caballetes de aserrar, etc. para una pieza de trabajo que sea más ancha o larga de la parte superior de la mesa.** Las piezas de trabajo más largas o anchas que la ingletadora pueden inclinarse si no se fijan de forma segura. Si la pieza de corte o de trabajo se inclina, puede elevar la protección inferior o ser lanzada por la hoja giratoria.
- ◆ **No se ayude de otra persona para sustituir la extensión de la mesa o como apoyo adicional.** Un apoyo inestable de la pieza de trabajo puede hacer que la hoja se doble o que la pieza de trabajo se mueva durante la operación de corte, tirando de usted y de la persona que le ayude hacia la hoja de corte.
- ◆ **La pieza de corte no debe agarrarse ni presionarse de ninguna manera contra la hoja de corte giratoria.** Si está confinada, es decir, si hay topes de longitud, la pieza de corte podría apretarse contra la hoja y ser lanzada violentamente.
- ◆ **Utilice siempre una abrazadera o fijación diseñadas para sujetar adecuadamente el material redondo como varillas o tubos.** Las varillas tienen tendencia a rodar mientras se cortan, lo que provoca que la hoja "muerda" y tire de la pieza con la mano hasta la hoja.
- ◆ **Deje que la hoja alcance su plena velocidad antes de contactar con la pieza de trabajo.** Esto reducirá el

riesgo de que la pieza de trabajo sea arrojada con violencia.

- ◆ **Si la pieza de trabajo o la hoja se atascan, apague la ingletadora. Espere a que todas las piezas móviles se hayan detenido y desconecte el enchufe de la fuente de alimentación y/o retire el paquete de baterías. Después, intente liberar el material atascado.** Seguir aserrando con una pieza de trabajo atascada podría provocar la pérdida del control de la ingletadora o daños en la misma.
- ◆ **Tras finalizar el corte, desconecte el interruptor, mantenga hacia abajo el cabezal de la sierra y espere a que la hoja se haya detenido antes de retirar la pieza de corte.** Es peligroso acercarse a la mano a la hoja en movimiento de inercia.

Instrucciones de seguridad adicionales para ingletadoras

- ◆ En este manual de instrucciones se describe el uso previsto. La utilización de accesorios o dispositivos auxiliares o la realización de operaciones distintas a las recomendadas en este manual de instrucciones para esta herramienta puede presentar riesgo de lesiones personales y/o de daños materiales.
- ◆ No utilice hojas de sierra agrietadas, dobladas, dañadas ni deformadas.
- ◆ Sustituya el plato de separación cuando esté gastado.
- ◆ No utilice hojas de un diámetro mayor o menor del recomendado. Para conocer la capacidad de corte exacta, consulte las especificaciones técnicas. Utilice solo las hojas especificadas en este manual, que cumplen lo dispuesto en la norma EN 847-1.
- ◆ No utilice hojas de sierra HSS (High Speed Steel, Acero de alta velocidad).



¡Advertencia! El contacto o la inhalación del polvo procedente de las aplicaciones de la sierra puede suponer un peligro para la salud del usuario y de cualquier otra persona que se encuentre a su alrededor. Utilice una mascarilla antipolvo diseñada específicamente para proteger contra el polvo y los vapores y asegúrese de que las demás personas que se encuentren dentro del área de trabajo o que vayan a entrar en ella también estén protegidas.

- ◆ No trabaje con materiales que contengan amianto. El amianto está considerado como un material cancerígeno.
- ◆ Utilice guantes para manipular las hojas de sierra y materiales rugosos (las hojas de sierra deben transportarse en un soporte cuando sea posible).
- ◆ Utilice protección acústica para reducir el riesgo de pérdidas acústicas inducidas.

- ◆ Considere la posibilidad de utilizar hojas diseñadas especialmente para la reducción de ruido.
- ◆ Utilice la bolsa para polvo cuando sierre madera.
- ◆ **Sostenga la herramienta eléctrica por las superficies de agarre aisladas cuando realice una operación en la que el accesorio de corte pueda estar en contacto con un cable oculto o con su propio cable.** El contacto del accesorio de corte con un cable conectado a la red eléctrica podría hacer que las partes metálicas de la herramienta transmitieran esa electricidad y producir una descarga al usuario
- ◆ Seleccione la cuchilla adecuada para el material que va a cortar.
- ◆ No utilice el equipo sin el protector colocado en su posición. No utilice la máquina si el bloqueo no funciona o no se ha efectuado un mantenimiento adecuado.
- ◆ Compruebe que el brazo está fijado con seguridad cuando realice cortes biselados.
- ◆ Antes de empezar a cortar, compruebe que la máquina está estable.
- ◆ Mantenga las empuñaduras secas, limpias y libres de aceite y grasa.
- ◆ Realice un mantenimiento adecuado del área que rodea al aparato y manténgala libre de materiales sueltos, por ejemplo, las astillas y los trozos desprendidos.
- ◆ Asegúrese de que el área de trabajo y en la que se encuentra la máquina disponen de iluminación general o localizada adecuada.
- ◆ No permita la utilización de esta máquina por parte de personas que no dispongan de la formación pertinente.
- ◆ Asegúrese de montar correctamente la hoja antes de utilizarla. Compruebe que la cuchilla gira en la dirección adecuada. Mantenga la cuchilla afilada. Siga las instrucciones para lubricar y cambiar los accesorios.
- ◆ Compruebe que a velocidad indicada en la cuchilla de la sierra sea como mínimo equivalente a la velocidad indicada en la sierra.
- ◆ Compruebe que los espaciadores y las anillas de eje son adecuados para el uso indicado por Stanley Fat Max.
- ◆ Las reparaciones en el sistema de guía de la línea de corte deberán ser realizadas por agentes del servicio técnico autorizado o personal de servicios de Stanley Fat Max.
- ◆ Retire la batería de la máquina antes de llevar a cabo cualquier operación de mantenimiento o cuando cambie la cuchilla.
- ◆ Nunca lleve a cabo la limpieza, el mantenimiento ni la extracción de trozos de material desprendidos ni de otras partes de la pieza de trabajo de la zona de corte con la máquina en funcionamiento y si la hoja no se encuentra en la posición de reposo.
- ◆ Cuando sea posible, instale la máquina en un banco.
- ◆ Asegúrese de que todos los mandos de bloqueo y empuñaduras estén apretados antes de iniciar cualquier tarea.
- ◆ No utilice nunca la sierra sin la inserción de la mesa.
- ◆ Nunca intente detener el movimiento de la máquina rápidamente mediante la colocación de una herramienta o mediante otro modo contra la hoja, ya que podrían producirse accidentes serios.
- ◆ Antes de utilizar o colocar un accesorio, consulte el manual de instrucciones. El uso inadecuado de un accesorio puede provocar daños.
- ◆ Levante la hoja de la inserción de la mesa en la pieza de trabajo antes de soltar el interruptor de encendido/apagado.
- ◆ No ponga nada contra el ventilador para sostener el eje del motor.
- ◆ La protección de la cuchilla de su sierra se elevará automáticamente cuando baje el brazo; se ubicará por debajo de la cuchilla cuando levante el brazo. La protección podrá levantarse manualmente cuando instale o retire cuchillas de sierra o cuando inspeccione la sierra. No eche nunca el protector de la hoja manualmente si la máquina no se encuentra apagada.
- ◆ Compruebe frecuentemente que las ranuras de ventilación del motor carecen de astillas.
- ◆ No permita que los signos de advertencia de la herramienta eléctrica se vuelvan irreconocibles.
- ◆ No se coloque nunca sobre la herramienta eléctrica. De lo contrario, podrían producirse lesiones graves si la herramienta eléctrica vuelca o entra en contacto con la hoja de sierra.
- ◆ No toque la hoja de sierra después de utilizarla hasta que se haya enfriado. La hoja de sierra se calienta mucho durante su funcionamiento.
- ◆ Para evitar que se produzcan daños provocados por los materiales arrojados, retire la batería de la sierra para evitar que se encienda accidentalmente y, a continuación, retire los materiales pequeños.
- ◆ Antes de su utilización y después de las tareas de mantenimiento, es necesario comprobar el protector de la hoja para garantizar que funciona correctamente. Esta prueba debe llevarse a cabo con la sierra apagada y la batería retirada. Es necesario elevar y bajar el brazo para garantizar que el protector cubre la hoja y que la hoja no entra en contacto con el protector. Si el protector no funciona correctamente, un agente de reparaciones autorizado deberá reparar la herramienta eléctrica. Póngase en contacto con el servicio de atención al cliente de Stanley Fat Max para obtener información acerca del agente de reparaciones más cercano.
- ◆ **Esta sierra ingletadora ha sido diseñada para serrar únicamente madera, plástico y metales no ferrosos.** No utilice la sierra para cortar otros materiales distintos a los aconsejados por el fabricante.

- ◆ No sostenga la hoja de la sierra después de trabajar hasta que se haya enfriado. La hoja de la sierra puede recalentarse al trabajar.



¡Advertencia! Cortar plástico, madera recubierta de savia y otros materiales puede hacer que el material fundido se acumule en las puntas y el cuerpo de la cuchilla de la sierra, aumentando el riesgo de que la cuchilla se recaliente y se atasque durante el corte.

Seguridad de otras personas

- ◆ Ninguna persona (incluidos los niños a partir de 8 años de edad) con capacidades físicas, sensoriales o mentales disminuidas, o que carezca de experiencia y conocimientos, debe utilizar este cargador, salvo que haya recibido supervisión o formación con respecto al uso del aparato de una forma segura y que comprenda los peligros que entraña.
- ◆ Los niños no deben jugar con el aparato. Los niños no deberán realizar las tareas de limpieza y mantenimiento de usuario, salvo que lo hagan bajo supervisión.

Riesgos residuales

Los siguientes riesgos son inherentes al uso de las sierras: El cumplimiento de las normas de seguridad correspondientes y el uso de dispositivos de seguridad no evitan ciertos riesgos residuales. Dichos riesgos incluyen:

- ◆ Lesiones producidas por el contacto con piezas móviles o giratorias.
- ◆ Deterioro auditivo.
- ◆ Riesgo de accidentes provocados por las piezas no cubiertas de la hoja de sierra giratoria.
- ◆ Riesgo de lesiones al cambiar cualquier pieza, cuchilla o accesorio.
- ◆ Riesgo de aplastamiento de los dedos al abrir las protecciones.
- ◆ Riesgos para la salud provocados al respirar el polvo originado al serrar madera, especialmente de roble, haya y DM.
- ◆ Lesiones producidas al usar una herramienta por un tiempo demasiado prolongado. Si utiliza una herramienta durante períodos de tiempo demasiado prolongados, asegúrese de realizar pausas con frecuencia.

Ruido

Los valores de emisión de sonido declarado se han calculado según un método de prueba estándar y podrán utilizarse para comparar una herramienta con otra.

Los valores declarados de emisión de ruido también pueden utilizarse en una evaluación preliminar de la exposición.

¡Advertencia! Las emisiones de ruido durante el uso real de la herramienta eléctrica pueden diferir de los valores

declarados dependiendo de la forma de uso de la herramienta, especialmente de qué tipo de pieza de trabajo se esté utilizando.

¡Advertencia! Lleve siempre protección acústica personal adecuada. En algunas condiciones y durante el uso, el ruido emitido por este producto podría provocar la pérdida de audición. Tenga en cuenta de los siguientes factores que influyen en la exposición ante el ruido:

- ◆ utilice cuchillas de sierra diseñadas para reducir las emisiones de ruido;
- ◆ utilice solo cuchillas de sierra afiladas;
- ◆ utilice cuchillas de sierra diseñadas específicamente para la reducción del ruido.

Etiquetas en la herramienta

Los siguientes pictogramas están colocados, junto al código, en la herramienta:



¡Advertencia! Para reducir el riesgo de lesiones, el usuario debe leer el manual de instrucciones.



Utilice gafas o lentes de seguridad.



Póngase protección para el oído.



Utilice una mascarilla antipolvo.



Los menores de 16 años no deben utilizar este producto.



Keep hands away from blade



Zona prohibida para las manos: mantenga los dedos y los brazos alejados de las hojas giratorias de la sierra.



Utilice guantes para manipular las hojas de sierra.



No fije la vista en la lámpara de trabajo.

Instrucciones de seguridad adicionales para baterías y cargadores

¡Advertencia! El aparato debe utilizarse solo con la unidad de alimentación suministrada junto con el aparato.

Nota: El rango de temperaturas de funcionamiento recomendado de la herramienta es de 4 °C a 40 °C.

Baterías

- ◆ Jamás trate de abrir las baterías por ningún motivo.
- ◆ No exponga las baterías al agua.

- ◆ No guarde la batería en lugares en los que la temperatura pueda superar los 40 °C.
- ◆ Recargue la batería únicamente a una temperatura ambiente entre 10 °C y 40 °C.
- ◆ Utilice únicamente el cargador suministrado con la herramienta para realizar la carga.
- ◆ Cuando vaya a desechar la batería, siga las instrucciones facilitadas en la sección "Protección del medioambiente".



No intente cargar baterías dañadas.

Cargadores

- ◆ Utilice el cargador de Stanley FatMax para cargar únicamente la batería de la herramienta con la que fue suministrado. Otras baterías podrían explotar y provocar lesiones y daños materiales.
- ◆ Nunca intente cargar baterías no recargables.
- ◆ Sustituya los cables defectuosos inmediatamente.
- ◆ No exponga el cargador al agua.
- ◆ No abra el cargador.
- ◆ No aplique ningún dispositivo para medir la resistencia del cargador.



El cargador ha sido concebido para utilizarse únicamente en un lugar interior.



Lea el manual de instrucciones antes de usar el producto.

Seguridad eléctrica



El cargador presenta un aislamiento doble; por lo tanto, no se requiere conexión a tierra. Compruebe siempre que el voltaje de la red eléctrica corresponda al valor indicado en la placa de características. No intente sustituir el cargador por un enchufe convencional para la red eléctrica.

- ◆ Si se daña el cable de alimentación, debe ser sustituido por el fabricante o por un centro de asistencia técnica autorizado de Stanley FatMax, para evitar riesgos.

Características

Esta herramienta incluye parte o la totalidad de estas características.

1. Interruptor de activación
2. Empuñadura de funcionamiento
3. Orificios de instalación
4. Protector inferior
5. Mando de bloqueo del inglete
6. Botón de la hebilla del inglete
7. Plato de separación
8. Escala de la sierra ingletadora
9. Indicador de escala del inglete
10. Asas de transporte

11. Hendidura
12. Perilla de bloqueo del bisel
13. Rieles
- 13a. Tira de velcro
14. Puerto de polvo
15. Paquete de baterías
16. Interruptor de la luz de trabajo
17. Palanca de bloqueo
18. Palanca de bloqueo del riel
19. Orificio de montaje de la abrazadera
20. Clavija inferior de bloqueo

Montaje (Fig. A)

La ingletadora está parcialmente montada en el embalaje.

- ◆ Abra la caja y saque la sierra utilizando las asas de agarre (10) de la base de la sierra (fig. A).
- ◆ Coloque la sierra en una superficie lisa y plana como un banco de trabajo o una mesa resistente.
- ◆ Examine el diagrama de montaje de la página 2 de este manual para familiarizarse con la sierra y sus diversas partes. La sección de ajustes se referirá a estos términos y deberá saber qué partes son y dónde se encuentran.
- ◆ El tirador de bloqueo del inglete (5) no está montado en el envío. Retire el tirador de bloqueo del inglete (5) de su embalaje y atornillelo en la sierra. Consulte la posición en las figuras G y L.
- ◆ Su sierra tiene un puerto incorporado para polvo (14) que permite que se conecte la bolsa para el polvo (35) suministrada pero sin montar, u otro sistema de vaciado (fig. M).

Plato de separación (fig. J)

El plato de separación (7) está montado a la mesa con 6 tornillos. La altura del plato de separación (7) no es ajustable.

Nota: Si el plato de separación (7) está desgastado, dañado o debe ser sustituido, las reparaciones deben ser efectuadas por reparadores autorizados o por el personal de atención de Stanley Fax Max.

Clavija inferior de bloqueo (fig. F)

¡Advertencia! La clavija inferior de bloqueo debe utilizarse SOLAMENTE cuando transporte o almacene la sierra. No utilice NUNCA la clavija inferior de bloqueo para ninguna operación de corte.

Nota: Para alzar, llevar y apoyar la ingletadora durante el transporte, utilice las dos asas de transporte (10) ubicadas a ambos lados de la base de la ingletadora (fig. A). Para bloquear el cabezal de la sierra en posición inferior, empuje el cabezal de la sierra hacia abajo, empuje la clavija inferior de bloqueo y (20) y suelte el cabezal de la sierra. De este modo, mantendrá el cabezal de la sierra hacia abajo con toda seguridad para transportarla de un lugar a otro. Para soltar, pulse el cabezal de la sierra hacia abajo y saque la clavija.

¡Advertencia! Asegúrese siempre de que la herramienta esté apagada y la batería retirada de la herramienta antes de ajustar o revisar la función de la herramienta.

Carga de la batería (fig. B)

Los cargadores Stanley FatMax han sido diseñados para cargar las baterías Stanley FatMax.

- ◆ Conecte el cargador (21) radio a la toma adecuada antes de introducir un paquete de baterías (15).
- ◆ Introduzca la batería (15) en el cargador y compruebe que quede bien colocada en las ranuras correspondientes (Figura B).



El LED (21a) parpadeará para indicar que se está cargando la batería.



Al finalizar la carga, el led permanecerá encendido en modo fijo. La batería está totalmente cargada y podrá usarla o dejarla en el cargador.

- ◆ Recargue las baterías descargadas tan pronto como sea posible después del uso; de lo contrario, se reducirá su vida útil.
- ◆ Para aprovechar al máximo la vida útil de la batería, no deje que la batería se agote. Es recomendable recargar las baterías después de cada uso.

Diagnóstico del cargador (Fig. C)

Este cargador está diseñado para detectar determinados problemas que pueden surgir con los paquetes de baterías o la fuente de tensión. Los problemas se indican con un led que parpadea de distintas maneras.

Fallo de la batería



El cargador puede detectar si la batería está débil o dañada. El LED parpadea con el patrón indicado en la etiqueta. Si nota este patrón de parpadeo del indicador de fallo de la batería, no siga recargando la batería. Llévela a un centro de servicios o a un punto de recogida para el reciclaje.

Retardo por batería fría o caliente



Cuando el cargador detecta que la batería está demasiado fría o demasiado caliente, inicia automáticamente un retardo de batería fría/caliente y suspende la carga hasta que la batería se normalice. Después de esto, el cargador cambia automáticamente al modo de carga de batería. Esta característica le asegura el máximo de vida útil a la batería. La luz parpadea con el patrón indicado en la etiqueta.

Dejar la batería en el cargador

El cargador y la batería pueden permanecer conectados durante un periodo de tiempo indefinido con el led encendido.

El cargador mantendrá el paquete de baterías nuevo y totalmente cargado. Este cargador está dotado de un modo de afinación automática que equaliza o balancea las células individuales de la batería, para permitir que esta funcione al máximo de su capacidad. La batería debería afinarse manualmente o cada vez que no tenga el mismo rendimiento. Para usar el modo de afinación automática, coloque la batería en el cargador y déjela durante por lo menos 8 horas.

Notas importantes para la carga

- ◆ Se puede lograr una vida útil más larga y un mejor rendimiento si se carga la batería a una temperatura ambiente de entre 18 °C y 24 °C. NO cargue la batería a una temperatura ambiente inferior a +4,5 °C o superior a +40 °C. Esto es importante y previene daños graves en la batería.
- ◆ El cargador y la batería pueden calentarse demasiado al tacto durante la carga. Esto es normal y no revela ningún problema.
- ◆ Para facilitar el enfriamiento de la batería después del uso, evite colocar el cargador o la batería en un ambiente cálido, como un cobertizo metálico o un remolque sin aislamiento.
- ◆ Si la batería no se carga correctamente:
 - ◆ Para comprobar la corriente de la toma, enchufe una lámpara. u otro aparato;
 - ◆ Compruebe si la toma está conectada a un interruptor de luz que corte la alimentación al apagar las luces;
 - ◆ Cambie el cargador y el paquete de baterías a un lugar en el que la temperatura ambiente del aire sea de aproximadamente 18 °C – 24 °C;
 - ◆ Si los problemas de carga persisten, lleve la herramienta, el paquete de baterías y el cargador al taller de reparación más cercano.
- ◆ El paquete de baterías debe recargarse cuando deja de producir energía suficiente para los trabajos que antes realizaba con facilidad. NO SIGA usándolo en estas condiciones. Siga el procedimiento de carga. También puede cargar una batería parcialmente usada cuando lo desee, sin ningún efecto adverso para la batería.
- ◆ Los materiales extraños de naturaleza conductora como, entre otros, el polvo del pulimentado, las virutas de metal, la lana de acero, las hojas de aluminio o cualquier otra formación de partículas de metal deben mantenerse alejados de las cavidades del cargador. Desenchufe el cargador antes de intentar limpiarlo.
- ◆ No lo congele ni lo sumerja en agua u otros líquidos.

Inserción y extracción de la batería (fig. D, E)

- ◆ Para colocar la batería (15), alinéela con el alojamiento de la herramienta (22). Deslice la batería dentro del alojamiento y empújela hasta que encaje en su sitio.

- ◆ Para extraer la batería, presione los botones de liberación de la batería (15a) a la vez que tira de la batería para extraerla del receptáculo, como se muestra en la figura E.

Cambio o instalación de una cuchilla de sierra nueva (fig. G, H, I)

¡Advertencia! Para disminuir el riesgo de lesiones personales graves, apague la herramienta y retire la batería antes de transportarla, realizar ajustes o poner o quitar acoplamientos o accesorios. El encendido accidental puede causar lesiones.

Retirar la cuchilla

- ◆ Extraiga el paquete de baterías (15) de la cuchilla.
- ◆ Levante el brazo hasta la posición superior y levante la barra inferior (4) al máximo.
- ◆ Afloje pero no retire el tornillo frontal de la abrazadera de protección (24) hasta que la abrazadera (25) pueda alzarse a una distancia suficiente para acceder al tornillo de la hoja (26). La protección inferior permanecerá elevada debido a la posición del tornillo de la abrazadera de protección.
- ◆ Pulse el botón de bloqueo del eje (28) mientras gira detenidamente la cuchilla de la sierra (29) de forma manual hasta que se active el bloqueo.
- ◆ Manteniendo pulsado el botón, utilice la otra mano y el lado hexagonal para aflojar la tuerca de la cuchilla (26). (Giro en sentido de las agujas del reloj, roscas para zurdos)
- ◆ Retire el tornillo de la hoja (26) utilizando el lado hexagonal de la llave suministrada, la arandela de la fijación exterior (30) y la hoja (29). La arandela de fijación interior (31) podrá dejarse en el eje (32).

Instalar una cuchilla

- ◆ Extraiga el paquete de baterías (15) de la cuchilla.
- ◆ Con el brazo alzado, la protección inferior (4) abierta y la abrazadera de protección (25) alzada, coloque la hoja (29) en el husillo (32) y contra la fijación interior de la hoja (31), con los dientes de la hoja apuntando en la dirección de rotación, como se marca en la sierra.
- ◆ Monte la arandela de sujeción externa (30) en el eje (32).
- ◆ Instale la tuerca de la cuchilla (26) y, activando el bloqueo del eje (28), apriete la tuerca (26) firmemente con la llave suministrada (gire en sentido contrario al de las agujas del reloj, para zurdos).
- ◆ Devuelva la abrazadera de protección (25) a su posición original totalmente bajada y apriete firmemente el tornillo de la abrazadera de protección (24) para sostener la abrazadera en su lugar.

Cortar el sistema de guía

¡Advertencia! No fije su mirada directamente en la luz de trabajo. Podrá dar lugar a daños oculares graves.

Nota: La batería debe cargarse y conectarse a la ingletadora.

El sistema de guía de la línea de corte solo puede encenderse o apagarse con el interruptor de la luz de trabajo (16).

Para hacer un corte marcado con una línea de lápiz en una pieza de madera, encienda el sistema de guía de la línea de corte utilizando el interruptor de la luz de trabajo (16) (no con el interruptor principal) y, a continuación, tire hacia abajo del mango de funcionamiento (2) para acercarse a la madera a la hoja de la sierra.

La sombra de la cuchilla aparecerá en la madera. Esta línea de sombra representa el material que la hoja retirará al realizar el corte.

Para localizar correctamente su corte en la línea a lápiz, alinee la línea a lápiz con el borde de la sombra de la hoja. Tenga en cuenta que quizás tenga que ajustar los ángulos de bisel o de inglete para hacer que coincida exactamente con la línea trazada.

La sierra está equipada con una función de fallo de la batería. La luz de trabajo empieza a parpadear cuando la batería está a punto de agotarse, o cuando está demasiado caliente. Cargue la batería antes de seguir haciendo cortes. Consulte el procedimiento de carga de las Instrucciones de seguridad importantes para paquetes de baterías para conocer las instrucciones de carga de la batería.

Control de los ingletes (Fig. J)

El tirador de bloqueo del inglete (5) y el botón del pestillo del inglete (6) le permiten poner su sierra en 47° a la derecha y 47° a la izquierda. El pestillo de ingletes localizará automáticamente la posición a 0°, 15°, 22,5°, 31,6° y 45° y a izquierda y derecha. Para los ingletes, desbloquee el mecanismo de bloqueo de los ingletes girando el botón de bloqueo de ingletes (5) en sentido antihorario para desbloquear y en sentido horario para bloquear. Tire hacia arriba del botón de pestillo del inglete (6) y ajuste el ángulo deseado del inglete en la escala del inglete (8). Bloquee el tirador del bloqueo del inglete (5) girando en sentido horario.

Tirador de bloqueo del bisel (fig. K)

El bloqueo de bisel le permite biselar la sierra en 48° a la izquierda. Para ajustar la configuración del bisel, gire el tirador de bloqueo del bisel (12) en sentido contrario al de las agujas del reloj para aflojarlo. Para apretarlo, gire el tirador de bloqueo del bisel en sentido de las agujas del reloj.

¡Precaución! Peligro de estrechamiento. Asegúrese de apretar el tirador de bloqueo del bisel antes de que se anule el ajuste.

Interruptor de activación (fig. L)

Para encender la sierra, presione la palanca de desbloqueo (17) hacia la izquierda, y, a continuación, presione el interruptor de accionamiento (1). La sierra funcionará mientras el

interruptor esté presionado. Deje que la hoja gire hasta la velocidad de funcionamiento máxima antes de efectuar el corte. Para apagarlo, suelte el interruptor. Deje que la cuchilla se detenga antes de elevar el cabezal de la sierra. No dispone de sistema de bloqueo del interruptor. En el disparador hay un orificio (1a) para la inserción de un candado para bloquear el interruptor.

La sierra no está equipada con un freno automático de la hoja eléctrica, pero la hoja de la sierra debería pararse a los 5 segundos de soltar el disparador. Esto no se puede ajustar. Si el tiempo de parada supera los 5 segundos varias veces, lleve la herramienta a un centro de reparación Stanley FatMax autorizado para que la revisen.

Asegúrese siempre de que la hoja se ha detenido antes de retirarla de la separación.

Extracción del polvo (fig. M)

¡Advertencia! Para disminuir el riesgo de lesiones personales graves, apague la herramienta y retire la batería antes de transportarla, realizar ajustes o poner o quitar acoplamientos o accesorios. El encendido accidental puede causar lesiones. Su sierra tiene un puerto incorporado para polvo (14) que permite que se conecte la bolsa para el polvo (35) suministrada pero sin montar, u otro sistema de vaciado (fig. M).

Colocar la bolsa de polvo

- ◆ Coloque la bolsa para el polvo (35) al puerto para polvo (14), tal y como se muestra en la figura M.
- ◆ Puede colocarse un tubo de vacío (38, no suministrado) al puerto para el polvo (14), en vez de una bolsa para el polvo (35). Esto puede hacerse colocando el tubo de vacío (38) en lugar de la bolsa para el polvo (35). Consulte la figura M.
- ◆ Utilice la tira de velcro (13a) para mantener el tubo de vacío (38) alejado de los railes de deslizamiento (13) mientras utiliza la sierra.

Nota: La tira de velcro (13a) no es un asa de transporte y no debe utilizarse para mover o transportar la sierra.

Vaciar la bolsa de polvo

- ◆ Extraiga la bolsa de polvo (35) de la sierra y sacuda o agite suavemente la bolsa de polvo para vaciarla.
- ◆ Vuelva a fijar la bolsa para el polvo en el puerto para el polvo (14).

Notará que el polvo no saldrá de la bolsa. Esto no afectará el procedimiento de corte, pero reducirá la eficacia de la recogida de polvo de la sierra. Para restablecer la eficacia de la recogida de polvo de la lijadora, apriete el muelle interior de la bolsa de polvo cuando la vacíe y golpéela suavemente junto al cubo de la basura o contenedor de polvo.

¡Advertencia! No utilice nunca esta sierra a menos que la bolsa para el polvo esté colocada. Es peligroso respirar el polvo de la madera.

Cortar con la sierra

Si la función de deslizamiento no se utiliza, compruebe que el cabezal de la sierra se empuja al máximo posible y que el tornillo de bloqueo del riel (18) está apretado. Esto evitará que la sierra se deslice por los rieles a medida que vaya introduciéndose la pieza de trabajo.

Nota: NO CORRE METALES FERROSOS O MAMPOSTERÍA CON ESTA SIERRA (LOS METALES NO FERROSOS SÍ PUEDEN CORTARSE CON ESTA SIERRA). No utilice cuchillas abrasivas.

Nota: Consulte la activación y la visibilidad de la protección en la sección de ajustes para disponer de información importante sobre la protección inferior antes de cortar.

Cortes cruzados (fig. N)

Un corte cruzado se realiza cortando la madera en la veta en cualquier ángulo. Un corte cruzado se realiza con el brazo del inglete en la posición de cero grados. Fije y bloquee el brazo de ingletes en cero y sostenga firmemente la madera sobre la mesa y frente a la hendidura. Con el tornillo de bloqueo del riel (18) apretado, encienda la sierra apretando el interruptor de activación (1).

Cuando la sierra alcance la velocidad (1 segundo aproximadamente), baje suavemente el brazo y empiece a cortar poco a poco la madera. Deje que la cuchilla se detenga al completo antes de levantar el brazo.

Cuando corte cualquier pieza superior a 2 x 4 (51 x 102), utilice un movimiento de vaivén con el perno de bloqueo de riel (18) aflojado. Tire de la sierra hacia fuera, hacia usted, baje el cabezal de la sierra hacia la pieza de trabajo y pulse lentamente la sierra hacia atrás para completar el corte. No permita que la hoja de la sierra entre en contacto con la parte superior de la pieza de trabajo mientras tira de ella. La sierra podría correr hacia usted y podría causarles lesiones personales o daños a la pieza de trabajo.

¡Advertencia! Utilice siempre una fijación de trabajo para mantener el control y reducir el riesgo de daños personales y materiales, si sus manos deben estar a una distancia de 6" (152 mm) de la cuchilla durante el corte.

¡Nota! El tornillo de bloqueo del riel (18) debe estar aflojado para permitir que la sierra se deslice por sus railes.

Los cortes cruzados de inglete se hacen con el brazo de inglete con un ángulo distinto de cero.

Este ángulo se fija a menudo en 45° para realizar esquinas, aunque puede fijarse en cualquier posición desde cero hasta 47° a la izquierda o 47° a la derecha. Haga el corte tal y como se ha descrito anteriormente.

Cuando realice un corte de inglete en piezas de trabajo más anchas de 2 x 6 y que sean más cortas en longitud, coloque siempre la parte más larga frente a la hendidura (fig. N).

Para cortar a través de una línea existente trazada en una

pieza de madera, haga coincidir el ángulo lo más cerca posible. Haga un corte un poco más largo de la madera y mida desde la línea a lápiz hasta el borde del corte para determinar en qué dirección ajustar el ángulo de inglete y volver a cortar. Necesitará algo de práctica, pero es una técnica frecuente.

Cortes biselados

Un corte de bisel se hace con la hoja de la sierra inclinada con un ángulo hacia la madera. Con el fin de establecer el bisel, afloje el tirador de bloqueo del bisel (12) y mueva la sierra hacia la izquierda como desee. Una vez que haya configurado el ángulo de bisel deseado, apriete firmemente el bisel. Los ángulos biselados se pueden configurar de 3° a la derecha a 48° a la izquierda.

Calidad del corte

La limpieza de cualquier corte depende de una serie de variables. Aspectos como el material que se está cortando, el tipo de hoja, la agudeza de la hoja y la velocidad del corte contribuyen a la calidad del mismo. Cuando desee realizar cortes más homogéneos para trabajos de moldeado u otras operaciones de precisión, podrá obtener los resultados deseados con una cuchilla afilada (punta de carburo de 60 dientes) y una velocidad de corte lenta y uniforme.

Compruebe que el material no se mueva mientras corta; fíjelo en su lugar de forma segura.

Deje siempre que la cuchilla se detenga completamente antes de levantar el brazo.

Si se rompen pequeñas fibras de madera en la parte trasera de la pieza de trabajo, pegue un trozo de cinta protectora sobre la madera, en donde se realizará el corte. Sierra a través de la cinta y retire cuidadosamente la cinta cuando haya terminado.

Para conocer las distintas funciones de corte, consulte la lista de hojas de sierra recomendadas para su sierra y seleccione la que mejor se adapte a sus necesidades. Consulte los apartados Hojas de sierra y Accesorios opcionales.

Posición del cuerpo y de las manos (Fig. O1–O4)

Una posición adecuada del cuerpo y las manos durante el funcionamiento de la ingletadora facilitará el corte permitiendo que este sea más preciso y seguro. No coloque nunca las manos cerca del área de corte. No coloque la manos a una distancia menor de 6" (152 mm) de la hoja. Mantenga la pieza de trabajo firmemente a la mesa y a la hendidura cuando corte. Mantenga sus manos en posición hasta que haya soltado el interruptor y la cuchilla se haya detenido al completo.

REALICE SIEMPRE OPERACIONES EN SECO (CON LA MÁQUINA DESCONECTADA) ANTES DE REALIZAR CORTES ACABADOS PARA COMPROBAR LA RUTA DE LA CUCHILLA. NO CRUCE LAS MANOS, TAL Y COMO SE INDICA EN LA FIGURA O3.

Mantenga ambos pies firmes en el suelo y conserve un equilibrio adecuado. A medida que vaya moviendo el brazo de ingletes hacia la izquierda y la derecha, sígalo y permanezca ligeramente al lado de la cuchilla de la sierra. Mire a través de las hendiduras de la guía para seguir una línea trazada mediante un lápiz.

Fijación de la pieza de trabajo

¡Advertencia! Para disminuir el riesgo de lesiones personales graves, apague la herramienta y retire la batería antes de transportarla, realizar ajustes o poner o quitar acoplamientos o accesorios. El encendido accidental puede causar lesiones.

¡Advertencia! Una pieza de trabajo que haya sido fijada, equilibrada y asegurada antes de realizar un corte podrá desequilibrarse tras finalizar el corte. Una carga desequilibrada podría inclinar la sierra o cualquier objeto al que esté fijada, como una mesa o un banco de trabajo. Cuando realice un corte que pueda dar lugar a un desequilibrio, soporte adecuadamente la pieza de trabajo y compruebe que la sierra esté fijada con seguridad a una superficie estable. Pueden producirse lesiones personales.

¡Advertencia! El pie de fijación deberá permanecer fijado sobre la base de la sierra cuando se utilice la fijación. Fije siempre la pieza de trabajo en la base de la sierra y no a ninguna otra parte de la zona de trabajo. Compruebe que el pie de fijación no está fijado en el borde de la base de la sierra.

¡Advertencia! Utilice siempre una fijación de trabajo para mantener el control y reducir el riesgo de daños personales y materiales, si sus manos deben estar a una distancia de 6" (152 mm) de la cuchilla durante el corte. Si no puede fijar manualmente la pieza de trabajo a la mesa y contra la guía (forma irregular, etc.), o si tiene la mano a una distancia inferior a 6" (152 mm) de la hoja, deberá utilizar una abrazadera u otra fijación.

Utilice la fijación de material suministrada con su sierra. Para adquirir una abrazadera para materiales, contacte con su distribuidor local o con el centro de atención de Stanley FatMax. Otras ayudas como las fijaciones de anillas, las fijaciones de barras o las fijaciones en C podrán ser adecuadas para determinados tamaños y formas de material. Tenga cuidado al seleccionar y colocar estas abrazaderas. Tómese su tiempo para hacer una prueba antes de hacer el corte.

Instalar la fijación (fig. P)

- ◆ Inserte la fijación (37) en el orificio (19), detrás de la guía. La abrazadera debe mirar hacia la parte trasera de la ingletadora. La muesca en la varilla de la abrazadera debe insertarse totalmente en la base. Compruebe que esta hendidura está completamente introducida en la

base de la sierra de ingletes. Si la hendidura está visible, la fijación no estará segura.

- ◆ Gire la fijación en 180° hacia la parte frontal de la sierra de ingletes.
- ◆ Afloje el tirador para ajustar la abrazadera hacia arriba o hacia abajo, y después utilice el pomo de ajuste de precisión para sujetar firmemente la pieza.

Nota: Coloque la fijación en el lado opuesto de la base cuando bisele. REALICE SIEMPRE OPERACIONES EN SECO (CON LA MÁQUINA DESCONECTADA) ANTES DE REALIZAR CORTES ACABADOS, PARA COMPROBAR LA RUTA DE LA CUCHILLA. COMPRUEBE QUE LA FIJACIÓN NO INTERFIERA CON EL TRABAJO DE LA SIERRA O LAS BARRAS.

Ajustes

Su ingletadora está completa y precisamente ajustada de fábrica en el momento de su fabricación. Si se requiere un reajuste a causa del transporte y la manipulación o por cualquier otro motivo, siga las instrucciones que se indican a continuación para ajustar la sierra.

Una vez realizados, estos ajustes deberán mantener su precisión. Tómese algo de tiempo para seguir estas instrucciones detenidamente para mantener la precisión de la que es capaz su sierra.

Ajuste de la escala de ingletes (fig. Q1)

Bloquee el brazo en la posición hacia abajo. Desbloquee el tirador de bloqueo de ingletes (5) y oscile el brazo de ingletes hasta que el botón del pestillo de ingletes (6) se bloquee en la posición de ingletes a 0°. No bloquee el tirador de bloqueo de los ingletes. Coloque una escuadra frente a la hendidura de la sierra y la cuchilla, tal y como se indica. (No toque las puntas de los dientes de la cuchilla con la escuadra. Si lo hace, dará lugar a una medida imprecisa.)

Si la hoja de la sierra no es exactamente perpendicular a la guía, afloje y mueva la guía de material hasta que la hoja sea perpendicular a la guía, según lo medido por la escuadra. No preste atención a la lectura del indicador de inglete en este momento.

Ajuste de la escuadra de bisel a la mesa (fig. Q2)

Para alinear la escuadra de la cuchilla con la mesa, bloquee el brazo en posición inferior con la clavija inferior de bloqueo (20). Coloque una escuadra frente a la cuchilla, comprobando que la escuadra no esté sobre un diente. Afloje el perno de bloqueo de bisel (5) y compruebe que el brazo se fija firmemente frente al tope de bisel de 0°. Gire la tuerca de ajuste de bisel de 0° con el enchufe de 1/2" (12,7 mm) (no incluido) en la medida de lo necesario, para que la cuchilla se encuentre en un bisel de 0° con la mesa, de acuerdo con la medida de la escuadra.

Actuación y visibilidad de la protección (fig. V)

¡Advertencia! Peligro de estrechamiento. Para reducir el riesgo de lesiones, mantenga el pulgar debajo del mango de funcionamiento cuando tire hacia abajo de este. La protección inferior se moverá hacia arriba a medida que se tira hacia abajo del mango de funcionamiento, lo que podría provocar un estrechamiento.

La barra inferior (4) de su sierra ha sido diseñada para descubrir automáticamente la cuchilla cuando el brazo se pulsa hacia abajo y para cubrir la cuchilla cuando el brazo se levanta.

Antes de cada uso o después de hacer ajustes, haga un ciclo con el brazo (sin alimentación) y asegúrese de que la protección se abre con suavidad y se cierra totalmente. No debe contactar con la hoja. Con el brazo elevado, alce la protección (sin alimentación), tal y como se muestra en la figura V, y dispere. La protección debería cerrarse totalmente y con rapidez.

No opere la sierra si el protector inferior no se mueve libremente y se cierra instantáneamente. Nunca fije ni sujete la protección en posición abierta cuando utilice la sierra. La protección podrá levantarse manualmente cuando instale o retire cuchillas de sierra o cuando inspeccione la sierra. NO LEVANTE NUNCA LA BARRA INFERIOR MANUALMENTE, A MENOS QUE LA CUCHILLA ESTÉ DETENIDA.

Nota: Algunos cortes especiales en materiales grandes requerirán que alce la protección manualmente. Consulte el apartado sobre cómo cortar materiales grandes, en la sección de cortes especiales.

La sección frontal de la protección está apantallada para facilitar la visibilidad durante el corte. Aunque la ventilación reduce mucho los residuos en suspensión, hay aberturas en la protección, por lo que deben usarse gafas de seguridad en todo momento.

Guía de carriles

Compruebe periódicamente que los rieles (13) no presentan holgura. Los rieles pueden limpiarse con un paño limpio y seco.

Corte de marcos de de cuadros, cajas selladas y otros proyectos de cuatro caras (fig. R1, R2)

Para entender mejor cómo hacer estas operaciones, le sugerimos que intente algunos proyectos sencillos utilizando madera de desecho, hasta que "se acostumbre" a la sierra. Su sierra es la herramienta ideal para realizar cortes de esquina como el indicado en la figura R1. El dibujo A de la figura R2 muestra una unión realizada utilizando el ajuste de bisel para biselar los bordes de los dos tableros a 45° cada uno, para crear una esquina de 90°. Para esta unión, el brazo

de inglete se bloqueó en la posición cero y el ajuste de bisel se bloqueó en 45°. La madera se posiciona con el lado plano del panel frente a la mesa y el borde estrecho frente a la hendidura. El corte también podría realizarse con un corte de inglete hacia la derecha y hacia la izquierda con la superficie del panel frente a la hendidura.

Corte de molduras ajustadas y otros marcos (fig. R2)

El croquis B de la figura R2 muestra una junta realizada fijando el brazo de ingletes en 45° para cortar los dos paneles con vistas a formar una esquina de 90°. Para realizar este tipo de junta, fije el ajuste de bisel en cero y el brazo de inglete en 45°. Una vez más, coloque la madera con el lado plano del panel frente a la mesa y el borde estrecho frente a la hendidura.

Las figuras R1 y R2 solo son objetos de cuatro lados.

A medida que cambia el número de caras, también cambiarán los ángulos de inglete y bisel. La gráfica indicada a continuación muestra los ángulos adecuados para una serie de formas.

Ejemplos

| Número de caras | Inglete o ángulo de bisel |
|-----------------|---------------------------|
| 4 | 45° |
| 5 | 36° |
| 6 | 30° |
| 7 | 25,7° |
| 8 | 22,5° |
| 9 | 20° |
| 10 | 18° |

En la tabla se asume que todos los lados tienen la misma longitud. Para una forma que no se indique en la gráfica, utilice la siguiente fórmula: 180° dividido por la cantidad de lados es igual al inglete (si el material se corta verticalmente) o al ángulo de bisel (si el material se corta estando tendido).

Corte de ingletes compuestos (fig. R3)

Un inglete compuesto es un corte realizado utilizando un ángulo de inglete y de bisel al mismo tiempo. Es el tipo de corte utilizado para realizar marcos o cajas con lados inclinados, como se muestra en la figura R3.

Nota: Si el ángulo de corte varía de corte a corte, compruebe que el perno de bloqueo de bisel y el asa de bloqueo de inglete estén bloqueados firmemente. Éstos deberán estar bloqueados tras realizar cualquier cambio en el bisel o el inglete. La gráfica al final de este manual (Tabla 1) le ayudará a seleccionar la configuración adecuada para el bisel y el inglete para los cortes de ingletes compuestos más comunes.

Para usar el gráfico, seleccione el ángulo A deseado (fig. R3) de su proyecto y localice dicho ángulo en el arco adecuado del gráfico. A partir de dicho punto, siga el gráfico en línea recta hacia abajo para encontrar el ángulo de bisel correcto y en línea recta de forma transversal para encontrar el ángulo de inglete correcto.

Fije la sierra en los ángulos indicados y realice varios cortes de prueba. Practique uniendo las piezas de corte hasta que se acostumbre al procedimiento y se sienta cómodo con él.

Ejemplo: Para realizar una caja de 4 caras con ángulos exteriores de 26° (ángulo A, fig. R3), utilice el arco superior derecho. Encuentre el ángulo de 26° en la escala del arco. Siga la línea de intersección horizontal a cada uno de los lados para obtener el ajuste del ángulo de inglete en la sierra (42°). Del mismo modo, siga la línea intersectora vertical hacia arriba o hacia abajo para obtener la configuración del ángulo de bisel en la sierra (18°). Haga siempre cortes de prueba en algunas piezas de desecho para comprobar los ajustes de la sierra.

Corte de molduras de base (fig. S)

Cortes rectos de 90°:

Coloque la madera frente a la guía y sosténgala en su lugar como se muestra en la figura S. Encienda la sierra, deje que la hoja alcance la velocidad total y baje el brazo de la sierra suavemente hacia el corte.

Corte de molduras de base de hasta 3,5" (90 mm) de alto, en vertical contra la guía.

Coloque el material tal y como se muestra en la figura S. Todos los cortes deberán ser realizados con la parte trasera de la moldura frente a la hendidura y con la parte inferior de la moldura frente a la mesa.

| | Esquina interior | Esquina exterior |
|-------------------|---|---|
| Lateral izquierdo | Inglete izquierdo 45° Guarde el lado izquierdo del corte | Inglete derecho 45° Guarde el lado izquierdo del corte |
| Lateral derecho | Inglete derecho 45° Guarde el lado derecho del corte | Inglete izquierdo 45° Guarde el lado derecho del corte |

El material de hasta 3,5" (90 mm) puede cortarse tal y como se indicó previamente.

Corte de moldura en corona

Para ajustarlo adecuadamente, la moldura en corona debe realizarse mediante un corte compuesto de ingletes con extrema precisión.

Las dos superficies planas en una pieza determinada de moldura en corona son ángulos que, al unirse, son iguales exactamente a 90°. La mayoría, aunque no todos, las molduras en corona tienen un ángulo superior trasero (la sección que se ajusta al techo) de 52° y un ángulo inferior trasero (la pieza que se ajusta a la pared) de 38°.

La ingletadora tiene puntos prefijados especiales de bloqueo del inglete a 31,6° a izquierda y derecha, para cortar la moldura de corte en el ángulo adecuado. Del mismo modo, hay una marca en la escala de bisel a 33,8°.

La tabla de ajuste del bisel / tipo de corte muestra la configuración adecuada para los cortes de moldura en corona. (Lo números del ajuste de inglete y de bisel son muy precisos y no son fáciles de fijar en la sierra.) Puesto que la mayoría de los espacios carecen de ángulos de exactamente 90°, tendrá que personalizar sus ajustes en cualquier caso.

Instrucciones para cortar molduras en corona en superficie horizontal y utilizando las características compuestas

- ◆ Coloque la moldura con la superficie trasera amplia abajo en la mesa de la sierra (36) (fig. T1).
- ◆ Los ajustes de abajo son para todas las molduras en corona estándar con ángulos de 52° y 38°.

| Ajuste del bisel | Tipo de corte |
|------------------|--|
| 33,8° | LADO IZQUIERDO, ESQUINA INTERIOR: 1. Parte superior de la moldura frente a la guía. 2. Ajuste de la mesa de inglete a la derecha 31,62° 3. Guarde el lado izquierdo del corte |
| 33,8° | LADO DERECHO, ESQUINA INTERIOR: 1. Parte inferior de la moldura frente a la guía. 2. Ajuste de la mesa de inglete a la izquierda 31,62° 3. Guarde el lado izquierdo del corte |
| 33,8° | LADO IZQUIERDO, ESQUINA EXTERIOR: 1. Parte inferior de la moldura frente a la guía. 2. Ajuste de la mesa de inglete a la izquierda 31,62° 3. Guarde el lado derecho del corte |
| 33,8° | LADO DERECHO, ESQUINA EXTERIOR: 1. Parte superior de la moldura frente a la guía. 2. Ajuste de la mesa de inglete a la derecha 31,62° 3. Guarde el lado derecho del corte |

Nota: Al ajustar lo ángulos de bisel y de inglete para ingletes compuestos, recuerde que los ángulos presentados para las molduras de corona son muy precisos y es difícil ajustarlos con exactitud. Puesto que es fácil que se desplacen ligeramente y muy pocos espacios tienen esquinas exactamente cuadradas, todos los ajustes deben probarse primero en maderas de desecho.

Método alternativo para cortar molduras en corona

Coloque la moldura a un ángulo entre la guía (11) y la mesa de la sierra (36), con la parte superior de la moldura en la mesa y la parte inferior de la moldura en la guía, tal y como se muestra en la figura T1.

La ventaja de cortar molduras de corona con este método es que no es necesario ningún corte de bisel. Los cambios de minutos en el ángulo de ingletes pueden realizarse sin que ello afecte al ángulo de bisel. De esta forma, cuando se registran esquinas con un ángulo distinto a 90°, la sierra puede ajustarse a las mismas de forma rápida y fácil.

Instrucciones para el corte de molduras en corona

angulados entre la hendidura y la base de la sierra para todos los cortes

Esta sierra puede cortar hasta 9/16" (14 mm) x 3-5/8" (92 mm) de moldura de corona encajada.

- ◆ Cree el ángulo de la moldura para que la parte inferior de la moldura (la parte que va hacia la pared cuando se instala) quede frente a la hendidura (11) y la parte superior de la moldura permanezca sobre la mesa de la sierra (36), como se muestra en la figura T2.
- ◆ Las "caras" anguladas de la parte trasera de la moldura deben permanecer encuadradas con la hendidura y la mesa de la sierra (36).

| | Esquina interior | Esquina exterior |
|-------------------|---|---|
| Lateral izquierdo | Inglete derecho a 45° Guarde el lado derecho del corte | Inglete izquierdo a 45° Guarde el lado derecho del corte |
| Lateral derecho | Inglete izquierdo a 45° Guarde el lado izquierdo del corte | Inglete derecho a 45° Guarde el lado izquierdo del corte |

Cortes especiales

No realice nunca cortes a menos que el material esté fijado en la mesa y frente a la hendidura.

Material arqueado (fig. U1, U2)

Cuando corte un material arqueado, colóquelo siempre tal y como se indica en la figura U1 y nunca como se muestra en la figura U2. Si posiciona el material de forma incorrecta, hará que estreche la cuchilla cerca del final del corte.

Corte de material redondo

El material redondo debe ser y fijado o sostenido firmemente a la hendidura para evitar que ruede. Esto es muy importante a la hora de realizar cortes angulares.

Corte de materiales grandes (fig. V)

Ocasionalmente, se topará con piezas de trabajo demasiado grandes para que puedan ubicarse bajo la barra inferior. Para pasar la protección por encima la madera, con la sierra apagada y su mano derecha en el mango de funcionamiento, coloque el pulgar fuera de la porción superior de la protección y enrolle la protección hacia arriba lo suficiente para pasar por la madera, como se muestra en la figura V. Suelte la protección antes de arrancar el motor. El mecanismo de protección funcionará adecuadamente durante el corte. Haga esto solo cuando sea necesario.

NUNCA UNA, PEGUE O MANTENGA DE CUALQUIER OTRO MODO LA BARRA ABIERTA CUANDO OPERE ESTA SIERRA.

Mantenimiento

¡Advertencia! Para disminuir el riesgo de lesiones personales graves, apague la herramienta y retire la batería antes de

transportarla, realizar ajustes o poner o quitar acoplamientos o accesorios. El encendido accidental puede causar lesiones. **¡Advertencia!** Para reducir el riesgo de daños corporales graves:

NO toque las puntas afiladas de la cuchilla con los dedos o manos mientras realiza cualquier operación de mantenimiento.

NO utilice lubricantes o limpiadores (concretamente de tipo spray o aerosoles) cerca de la barra de plástico. El material de policarbonato utilizado en la barra puede ser dañado por determinados agentes químicos.

- ◆ Todos los cojinetes están sellados. Están lubricados de por vida y no necesitan mayor mantenimiento.
- ◆ Limpie periódicamente todo el polvo y las astillas de madera alrededor Y BAJO la base y la mesa giratoria. Aunque hay ranuras para que los desechos pasen a través de ellas, se acumulará algo de polvo.
- ◆ Los cepillos están diseñados para proporcionarle muchos años de uso. Si alguna vez necesita reponerlos, lleve la herramienta al centro de atención más cercano para que la reparen.

Resolución de problemas

| Problema | Causa posible | Solución |
|---|--|---|
| La sierra no se pone en marcha. | No se ha instalado la batería. | Instale la batería. Consulte el apartado Instalar y quitar un paquete de baterías. |
| | La batería no está cargada. | Cargue la batería. Consulte el apartado Procedimiento de carga. |
| | Cepillos gastados | Lleve a cambiar los cepillos a un centro de atención autorizado. |
| La sierra hace cortes insatisfactorios. | La hoja está desafilada. | Sustituya la cuchilla. Consulte la sección Cambio o instalación de una cuchilla de sierra nueva. |
| | La hoja se ha montado hacia atrás. | Dele la vuelta a la hoja. Consulte la sección Cambio o instalación de una cuchilla de sierra nueva. |
| | Goma o alquitrán en la hoja. | Retire la hoja y límpiela con lana de acero burda y turpentina o con limpiador para hornos. |
| | Hoja incorrecta para el trabajo efectuado. | Cambie el tipo de cuchilla. |
| La luz de trabajo está parpadeando. | La batería no está cargada. | Cargue la batería. Consulte el apartado Procedimiento de carga. |
| La máquina vibra en exceso. | La sierra no se ha montado de forma segura para estar de pie o en un banco de trabajo. | Apriete todo el material de montaje. Consulte el apartado de Montaje en banco. |
| | El suelo está desnivelado. | Vuelva a colocar la sierra en una superficie a nivel. |
| | Hoja de sierra dañada. | Sustituya la cuchilla. Consulte la sección Cambio o instalación de una cuchilla de sierra nueva. |

| Problema | Causa posible | Solución |
|--|---|--|
| No efectúa cortes de inglete precisos. | La escala de inglete no se ajusta correctamente. | Revise y ajuste. Consulte el apartado Ajuste de la escala de inglete, en Ajustes. |
| | La hoja no es cuadrada con respecto a la guía. | Revise y ajuste. Consulte el apartado Ajuste de la escala de inglete, en Ajustes. |
| | La hoja no es perpendicular con respecto a la mesa. | Revise la guía de ajuste. Consulte el apartado Escuadra biselada con respecto al ajuste de la tabla, en Ajustes. |
| | Movimiento de la pieza de trabajo | Fije la pieza de trabajo de forma segura a la guía o pegue a la guía papel de lija de 120 granos |
| | El plato de separación está desgastado o dañado. | Llévela a un centro de servicio autorizado. |
| El material estrecha la hoja. | Corte del material arqueado. | Consulte el apartado Material arqueado, en Cortes especiales. |

Protección del medioambiente



Recogida selectiva. Los productos y las baterías marcadas con este símbolo no se deben eliminar con los residuos domésticos normales.

Los productos y las baterías que contienen materiales que se puedan recuperar o reciclar reducen la demanda de materias primas.

Recicle los productos eléctricos y las baterías de conformidad con la normativa local. Puede obtener más información en www.2helpU.com

Datos técnicos

| FMCS701 (H1) | | | |
|------------------------------------|------------|----|----------|
| Tensión | V | | 18 |
| Velocidad | /min | | 3.800 |
| Diámetro externo de la hoja | mm | | 190 |
| Diámetro de la broca | mm | | 16 |
| Separación máx. de la hoja | mm | | 1,8 |
| Peso sin batería | kg | | 10 |
| Grosor del cuerpo de la cuchilla | mm | | 1,0 |
| Ingletado (posiciones máximas) | ° | | 47 |
| Bisel (posiciones máximas) | ° | | 47 |
| Ingletado 0 grados | horizontal | mm | 50 x 216 |
| | vertical | mm | 90 x 15 |
| Ingletado 45 grados a la derecha | horizontal | mm | 50 x 152 |
| | vertical | mm | 90 x 15 |
| Ingletado 45 grados a la izquierda | horizontal | mm | 50 x 152 |
| | vertical | mm | 90 x 15 |
| Bisel 45 grados a la izquierda | horizontal | mm | 50 x 152 |
| | vertical | mm | 50 x 15 |

| | | | |
|----------------------------|-----------------|-----------------|-----------------|
| Cargador | | 905998** typ. 1 | 906086** typ. 1 |
| Voltaje de entrada | V _{AC} | 230 | 230 |
| Voltaje de salida | V _{DC} | 18 | 18 |
| Corriente de salida | A | 1 | 2 |
| Tiempo de carga aproximado | min | 90 - 240 | 45 - 120 |

| | | | | |
|-----------|-----------------|-----------|-----------|-----------|
| Batería | | FMC689L | FMC687L | FMC688L |
| Tensión | V _{DC} | 18 | 18 | 18 |
| Capacidad | Ah | 1,5 | 2,0 | 4,0 |
| Tipo | | Litio-ión | Litio-ión | Litio-ión |

| Nivel de presión acústica según EN 62841: | |
|---|---------------------------------------|
| L _{pa} (presión acústica) | 83.0 dB(A), incertidumbre (K) 3 dB(A) |
| L _{pa} (potencia acústica) | 94.5 dB(A), incertidumbre (K) 3 dB(A) |

Declaración de conformidad CE
DIRECTIVA DE MÁQUINAS



FMCS701 Sierra ingletadora deslizante

Stanley Europe declara que los productos descritos en la "ficha técnica" cumplen con las siguientes directrices: EN62841-1:2015, EN62841-3-9:2015+A11:2017

Estos productos también cumplen con la Directiva 2006/42/EC, 2014/30/EU y 2011/65/EU.

Si desea obtener más información, póngase en contacto con Stanley Fat Max a través de la siguiente dirección o consulte el dorso del manual.

La persona que firma a continuación es responsable de la recopilación del archivo técnico y realiza esta declaración en nombre de Stanley Fat Max.

Ray Laverick
Director de Ingeniería
Stanley Fat Max Europe, 210 Bath Road, Slough,
Berkshire, SL1 3YD
Reino Unido
28/06/2018

Para reclamar la garantía, la reclamación se debe presentar de conformidad con las condiciones de Stanley Fat Max. Tendrá que adjuntar un justificante de compra al vendedor o al agente técnico autorizado. Las condiciones de la garantía de 1 año de Stanley Europe y la ubicación de su agente técnico autorizado más cercano se pueden obtener en Internet en www.2helpU.com o poniéndose en contacto con su oficina local de Stanley Europe en la dirección que se indica en este manual.

Visite nuestro sitio web www.stanley.eu/3 y registre su nuevo producto Stanley Fat Max para mantenerse al día sobre los nuevos productos y las ofertas especiales.

Garantía

Stanley Europe confía en la calidad de sus productos y ofrece a los consumidores una garantía de 12 meses a partir de la fecha de compra. Esta garantía es adicional a sus derechos legales y no los menoscaba en modo alguno. La garantía es válida dentro de los territorios de los Estados Miembros de la Unión Europea y del Área de Libre Comercio Europea.

Utilização pretendida

A serra de esquadria radial FMCS701 da Stanley Fat Max foi concebida para serrar apenas madeira, plástico e metais não ferrosos. Esta ferramenta destina-se a utilização profissional bem como a utilizadores privados não profissionais.

Instruções de segurança

Avisos de segurança gerais para ferramentas eléctricas



Atenção! Leia todos os avisos de segurança, instruções, ilustrações e especificações fornecidos com a ferramenta elétrica. O não cumprimento dos seguintes avisos e instruções pode resultar em choque eléctrico, incêndio e/ou ferimentos graves.

Guarde todos os avisos e instruções para futura referência. A expressão “ferramenta eléctrica” utilizada a seguir refere-se a ferramentas eléctricas com ligação à corrente eléctrica (com cabo) ou com bateria (sem fios).

1. Segurança na área de trabalho

- a. **Mantenha a área de trabalho limpa e bem iluminada.** As áreas desorganizadas ou escuras são propensas a acidentes.
- b. **Não trabalhe com ferramentas eléctricas em áreas com risco de explosão, nas quais se encontrem líquidos, gases ou poeiras inflamáveis.** As ferramentas eléctricas criam faíscas que poderão inflamar estas poeiras ou vapores.
- c. **Mantenha crianças e outras pessoas afastadas durante a utilização da ferramenta eléctrica.** As distrações podem levar à perda do controlo da ferramenta.

2. Segurança eléctrica

- a. **As fichas da ferramenta eléctrica devem encaixar na tomada. Nunca modifique a ficha de forma alguma. Não utilize fichas adaptadoras com ferramentas eléctricas ligadas à terra.** As fichas não modificadas e as tomadas compatíveis reduzem o risco de choque eléctrico.
- b. **Evite que o corpo entre em contacto com superfícies ligadas à terra, como tubos, radiadores, fogões e frigoríficos.** Se o seu corpo estiver “ligado” à terra, o risco de choque eléctrico é maior.
- c. **As ferramentas eléctricas não podem ser expostas a chuva nem humidade.** A entrada de água numa ferramenta eléctrica aumenta o risco de choque eléctrico.
- d. **Manuseie o cabo com cuidado. Nunca o utilize para transportar, puxar ou desligar a ferramenta eléctrica. Mantenha o cabo afastado de fontes de calor,**

substâncias oleosas, arestas afiadas ou peças móveis. Os cabos danificados ou emaranhados aumentam o risco de choque eléctrico.

- e. **Quando trabalhar com uma ferramenta eléctrica ao ar livre, utilize uma extensão adequada para esse fim.** A utilização de um cabo adequado para uso ao ar livre reduz o risco de choque eléctrico.
 - f. **Se for inevitável trabalhar com uma ferramenta eléctrica num local húmido, utilize um dispositivo de corrente residual (RCD).** A utilização de um RCD reduz o risco de choque eléctrico.
- #### 3. Segurança pessoal
- a. **Mantenha-se atento, observe o que está a fazer e seja prudente quando trabalhar com a ferramenta eléctrica. Não utilize uma ferramenta eléctrica quando estiver cansado ou sob o efeito de drogas, álcool ou medicamentos.** Um momento de distração durante a utilização de ferramentas eléctricas poderá resultar em ferimentos graves.
 - b. **Utilize equipamento de proteção pessoal. Use sempre uma proteção ocular.** O equipamento de proteção, como, por exemplo, uma máscara contra o pó, sapatos de segurança antiderrapantes, um capacete de segurança ou uma proteção auditiva, usado nas condições apropriadas, reduz o risco de ferimentos.
 - c. **Evite arranques involuntários. Certifique-se de que o botão está desligado antes de ligar a ferramenta à corrente eléctrica e/ou à bateria, e antes de levantar ou transportar a ferramenta.** Se mantiver o dedo sobre o interruptor ao transportar ferramentas eléctricas ou se as ligar à fonte de alimentação com o interruptor ligado, isso poderá dar origem a acidentes.
 - d. **Retire eventuais chaves de ajuste ou chaves de fendas antes de ligar a ferramenta eléctrica.** Uma chave de fenda ou de ajuste que se encontre numa peça em rotação da ferramenta eléctrica pode causar ferimentos.
 - e. **Não tente chegar a pontos fora do alcance. Mantenha sempre os pés bem apoiados e um equilíbrio apropriado.** Desta forma, será mais fácil controlar a ferramenta eléctrica em situações inesperadas.
 - f. **Use vestuário adequado. Não use roupa larga ou joias. Mantenha o cabelo, a roupa e as luvas afastados das peças móveis.** As roupas largas, as joias ou o cabelo comprido podem ficar presos nestas peças.
 - g. **Se for prevista a montagem de dispositivos de extração e recolha de poeiras, assegure-se de que estão ligados e que são utilizados de forma correta.** A utilização de dispositivos de extração de partículas pode reduzir os riscos relacionados com as mesmas.
 - h. **Não permita que o facto de estar familiarizado com a utilização frequente das ferramentas o torne**

complacente e ignore os princípios de segurança da ferramenta. Uma acção irreflectida pode causar ferimentos numa fracção de segundos.

4. Utilização e manutenção da ferramenta eléctrica

- a. **Não sobrecarregue a ferramenta eléctrica. Utilize a ferramenta eléctrica correta para o seu trabalho.** A ferramenta eléctrica adequada irá efetuar o trabalho de um modo mais eficiente e seguro se for utilizada de acordo com a capacidade para a qual foi concebida.
- b. **Não utilize a ferramenta eléctrica se o interruptor não puder ser ligado ou desligado.** Qualquer ferramenta eléctrica que não possa ser controlada através do interruptor de alimentação é perigosa e tem de ser reparada.
- c. **Desligue a ficha da tomada e/ou a bateria da ferramenta eléctrica antes de proceder a ajustes, trocar acessórios ou guardar ferramentas eléctricas.** Estas medidas de segurança preventivas reduzem o risco de ligar a ferramenta eléctrica acidentalmente.
- d. **Mantenha as ferramentas eléctricas que não estiverem a ser utilizadas fora do alcance das crianças.** Não permita que a ferramenta eléctrica seja utilizada por pessoas não familiarizadas com a mesma ou que não tenham lido estas instruções. As ferramentas eléctricas são perigosas nas mãos de pessoas que não possuam as qualificações necessárias para as manusear.
- e. **Proceda à manutenção das ferramentas eléctricas. Verifique se as partes móveis estão desalinhasadas ou bloqueadas, se existem peças partidas ou qualquer outra situação que possa afetar o funcionamento das ferramentas eléctricas. Se a ferramenta eléctrica estiver danificada, esta não deve ser utilizada até que seja reparada.** Muitos acidentes têm como principal causa ferramentas eléctricas com uma manutenção insuficiente.
- f. **Mantenha as ferramentas de corte afiadas e limpas.** As ferramentas de corte sujeitas a uma manutenção adequada, com arestas de corte afiadas, emperram com menos frequência e controlam-se com maior facilidade.
- g. **Utilize a ferramenta eléctrica, os acessórios e as peças de ferramenta, etc., de acordo com estas instruções, considerando as condições de trabalho e a tarefa a ser executada.** A utilização da ferramenta eléctrica para fins diferentes dos previstos poderá resultar em situações perigosas.
- h. **Mantenha os punhos e as pegas de fixação secos, limpos e sem qualquer óleo ou gordura.** Se tiver as mãos escorregadias e as superfícies com gordura, isso não permite um manuseamento e controlo seguros da ferramentas em situações inesperadas.

5. Utilização e cuidados a ter com a ferramenta com baterias

- a. **Carregue apenas com o carregador especificado pelo fabricante.** Um carregador adequado para um tipo de bateria pode causar um incêndio se for utilizado com outra bateria.
 - b. **Utilize ferramentas eléctricas apenas com baterias específicas.** A utilização de outras baterias pode dar origem a um risco de danos e incêndio.
 - c. **Quando não utilizar a bateria, mantenha-a afastada de outros objectos metálicos, tais como cliques para papel, moedas, chaves, pregos, parafusos ou outros pequenos objectos metálicos que permitam fazer a ligação de um terminal para outro.** O curto-circuito de terminais das baterias pode causar queimaduras ou incêndio.
 - d. **Em condições abusivas, pode derramar líquido da bateria, devendo evitar o contacto. Se tocar acidentalmente no líquido, lave bem com água. Se o líquido entrar em contacto com os olhos, consulte um médico.** O líquido derramado da bateria pode causar irritação ou queimaduras.
 - e. **Não utilize uma bateria ou uma ferramenta que esteja danificada ou modificada.** As baterias danificadas ou modificadas podem ter um comportamento imprevisível, podendo dar origem a um incêndio, explosão ou risco de ferimentos.
 - f. **Não exponha a bateria ou ferramenta ao fogo ou excesso de temperatura.** A exposição a fogo ou a uma temperatura superior a 130 °C pode dar origem a uma explosão.
 - g. **Siga todas as instruções de carregamento e não carregue a bateria ou a ferramenta fora da gama de temperaturas especificadas nas instruções.** Se o carregamento não for efectuado correctamente ou se a temperatura não estiverem de acordo com o limite especificado, a bateria pode ficar danificada e há um maior risco de incêndio.
- #### 6. Assistência
- a. **A sua ferramenta eléctrica deve ser reparada apenas por pessoal qualificado e só devem ser colocadas peças sobressalentes idênticas.** Desta forma, é garantida a segurança da ferramenta eléctrica.
 - b. **Nunca repare baterias danificadas.** A reparação de baterias só deve ser efectuada pelo fabricante ou por provedor de serviços autorizado.

Instruções de segurança para serras de esquadria

- ◆ **As serras de esquadria destinam-se a cortar madeira ou produtos semelhantes a madeira, não podem ser utilizadas com rodas de corte abrasivas para cortar**

material ferroso, tal como barras, varões, pinos, etc. As faíscas do corte abrasivo queimam o resguardo inferior, a inserção de corte e outras peças de plástico.

As faíscas causadas pelo corte abrasivo queimam o resguardo inferior, a guia de corte e outras peças de plástico.

- ◆ **Utilize braçadeiras para apoiar a peça de trabalho sempre que possível. Se apoiar a peça de trabalho manualmente, deve manter sempre as mãos afastadas pelo menos 100 mm de cada lado da lâmina da serra. Não utilize esta serra para cortar peças demasiado pequenas para serem apertadas ou seguras à mão.** Se a sua mão estiver colocada demasiado próxima da lâmina da serra, existe um maior risco de ferimentos devido ao contacto com a lâmina.
- ◆ **A peça de trabalho deve estar fixa e apertada ou segura contra a placa e a mesa. Não alimente a peça de trabalho na lâmina nem corte “com as mãos livres” em qualquer direcção.** As peças sem fixação ou móveis podem ser projectadas a altas velocidades, causando ferimentos.
- ◆ **Empurre a serra através da peça de trabalho. Não puxe a serra através da peça de trabalho. Para realizar um corte, eleve a cabeça da serra e puxe-a para fora sobre a peça de trabalho sem realizar cortes, efectue o arranque do motor, pressione a cabeça da serra para baixo e empurre a serra através da peça de trabalho.** Cortar no tirante de puxar provavelmente faz com que a lâmina de serra suba para cima da peça de trabalho e atire violentamente o conjunto de lâmina na direcção do operador.
- ◆ **Nunca cruze a sua mão sobre a linha de corte pretendida, tanto à frente como atrás da lâmina de serra.** Apoiar a peça de trabalho “com as mãos cruzadas”, isto é, segurando a peça de trabalho do lado direito da lâmina de serra com a mão esquerda ou vice-versa é muito perigoso.
- ◆ **Não tente chegar mais próximo do que 100 mm por trás da placa com as duas mãos a partir dos dois lados da lâmina de serra para remover restos de madeira ou por qualquer outro motivo enquanto a lâmina estiver a rodar.** A proximidade da lâmina de serra em rotação em relação à sua mão poderá não ser óbvia e poderá sofrer ferimentos.
- ◆ **Inspeccione a peça de trabalho antes de realizar o corte. Se a peça de trabalho for encurvada ou deformada, aperte-a com a face encurvada exterior virada para a placa. Certifique-se sempre de que não existe nenhuma lacuna entre a peça de trabalho, a placa e a mesa ao longo da linha de corte.** As peças de trabalho encurvadas ou deformadas podem torcer ou deslocar-se e causar emperramento na lâmina de serra em rotação durante o corte. A peça de trabalho não deve ter pregos ou objetos estranhos.
- ◆ **Não utilize a serra até que a mesa esteja desimpedida de todas as ferramentas, restos de madeira, etc., exceto da peça de trabalho.** Os pequenos resíduos ou pedaços soltos de madeira ou outros objetos que estabeleçam contacto com a lâmina em rotação podem ser projectados a alta velocidade.
- ◆ **Corte apenas uma peça de trabalho de cada vez.** As peças de trabalho múltiplas empilhadas não podem ser apertadas ou fixadas adequadamente e podem prender na lâmina ou deslocar-se durante o corte.
- ◆ **Assegure que a serra de esquadria está montada ou colocada numa superfície de trabalho nivelada e firme antes de ser utilizada.** Uma superfície de trabalho nivelada e firme reduz o risco da serra de esquadria se tornar instável.
- ◆ **Planeie o seu trabalho. Cada vez que altera a definição do ângulo de bisel e do ângulo de esquadria, certifique-se de que a placa ajustável está corretamente definida para apoiar a peça de trabalho e que não interfere com a lâmina ou o sistema de resguardo.** Sem “LIGAR” a ferramenta e sem qualquer peça de trabalho na mesa, mova a lâmina de serra através de um corte simulado completo, de modo a assegurar que não haverá interferência ou perigo de corte da placa.
- ◆ **Assegure um apoio adequado, tal como extensões da mesa, cavaletes, etc. para uma peça de trabalho que é mais ampla ou mais comprida do que o topo da mesa.** As peças de trabalho mais compridas ou mais amplas do que a mesa da serra de esquadria podem virar se não estiverem apoiadas em segurança. Se a peça cortada ou a peça de trabalho virarem, estas podem levantar o resguardo inferior ou serem projetadas pela lâmina em rotação.
- ◆ **Não utilize outra pessoa como substituição de uma extensão de mesa ou um suporte adicional.** O apoio instável para a peça de trabalho pode fazer com que a lâmina fique presa ou a peça de trabalho se desloque durante a operação de corte, puxando-o a si e ao seu assistente na direcção da lâmina em rotação.
- ◆ **A peça de corte não deve estar encravada ou ser pressionada por qualquer meio contra a lâmina de serra em rotação.** Se estiver limitada, isto é, utilizando batentes de comprimento, a peça de corte pode ficar entalada contra a lâmina e ser projetada com violência.
- ◆ **Utilize sempre uma braçadeira ou uma fixação concebida para apoiar adequadamente material redondo, tal como varões ou tubagens.** Os varões têm tendência de se enrolar enquanto são cortados, fazendo com que a lâmina “morda” e puxe a peça de trabalho com a sua mão para a lâmina.
- ◆ **Aguarde que o disco atinja a velocidade máxima antes de estabelecer contacto com a peça de trabalho.** Isto reduz o risco de projecção da peça de trabalho.

- ◆ **Se a peça de trabalho ou a lâmina ficar encravada, desligue a serra de esquadria. Aguarde que todas as peças móveis parem e desligue a ficha da fonte de alimentação e/ou remova a bateria. Em seguida, trabalhe para soltar o material encravado.** A serração contínua com uma peça de trabalho encravada pode causar a perda de controlo ou danos na serra de esquadria.
- ◆ **Após concluir o corte, solte o interruptor, segure a cabeça da serra para baixo e aguarde que a lâmina pare antes de remover a peça de corte.** É perigoso tentar alcançar a lâmina com a mão enquanto esta está a rodar por inércia.

Instruções de segurança adicionais para serras de esquadria

- ◆ A utilização adequada é descrita neste manual de instruções. A utilização de qualquer acessório ou a realização de qualquer operação com esta ferramenta que não se inclua no presente manual de instruções poderá representar um risco de ferimentos e/ou danos materiais.
- ◆ Não utilize lâminas de serra rachadas/dobradas/danificadas/deformadas.
- ◆ Substitua a placa de corte de serra quando estiver gasta.
- ◆ Não utilize lâminas com um diâmetro superior ou inferior ao recomendado. Consulte os dados técnicos para obter a classificação da lâmina. Utilize apenas as lâminas especificadas neste manual e em conformidade com a norma 847-1.
- ◆ Não utilize lâminas de serra de aço rápido (HSS).



Atenção! O contacto ou a inalação de poeiras originadas pelas aplicações da serragem poderá colocar em perigo a saúde do operador ou das pessoas presentes. Utilize uma máscara especificamente concebida para proteção contra poeiras e vapores e certifique-se de que as pessoas perto da área de trabalho também estão protegidas.

- ◆ Não trabalhe com materiais que contenham amianto. O amianto é considerado cancerígeno.
- ◆ Utilize luvas quando manusear lâminas de serra de material rugoso (sempre que possível, as lâminas de serra devem ser transportadas numa caixa adequada).
- ◆ Use proteção auricular para reduzir o risco de perda de audição induzida.
- ◆ Considere a utilização de lâminas especialmente concebidas para a redução de ruído.
- ◆ Use proteção ocular para reduzir o risco de ferimentos.
- ◆ Utilize o saco para o pó fornecido quando serrar madeira.
- ◆ **Segure a ferramenta eléctrica apenas pelas superfícies isoladas específicas para o efeito ao efectuar uma operação em que o acessório de corte possa entrar em contacto com fios ocultos ou com o próprio**

cabo da ferramenta. Cortar um acessório em contacto com um cabo "electrificado" poderá expor peças metálicas do sistema eléctrico da ferramenta e provocar um choque eléctrico ao operador

- ◆ Seleccione a lâmina correcta para o material que pretende cortar.
- ◆ Não utilize a máquina sem que a protecção esteja colocada. Não utilize a máquina se a protecção não funcionar ou se não estiver nas condições adequadas.
- ◆ Certifique-se de que o suporte está devidamente fixado quando realizar cortes de biselamento.
- ◆ Antes de cada corte, certifique-se de que a máquina está estável.
- ◆ Mantenha os punhos secos, limpos e sem qualquer óleo ou gordura.
- ◆ Mantenha a área que rodeia a máquina arrumada e isenta de materiais soltos (por exemplo, lascas e aparas).
- ◆ Certifique-se de que a máquina e a área de trabalho dispõem de iluminação geral ou localizada adequada.
- ◆ Não permita que esta máquina seja utilizada por pessoas não qualificadas.
- ◆ Antes da utilização, certifique-se de que a lâmina está montada correctamente. Certifique-se de que a lâmina roda na direcção correcta. Mantenha a lâmina afiada. Siga as instruções relativas à lubrificação e à troca de acessórios.
- ◆ Certifique-se de que a velocidade assinalada na lâmina da serra é, pelo menos, igual à velocidade assinalada na serra.
- ◆ Certifique-se de que os espaçadores e anéis de eixo são adequados para o fim a que se destina, tal como indicado pela Stanley Fat Max.
- ◆ As reparações ao sistema de guia da linha de corte devem ser efectuadas por técnicos de reparação autorizados ou por técnicos de manutenção da Stanley Fat Max.
- ◆ Retire a bateria da máquina antes de realizar qualquer trabalho de manutenção ou quando mudar a lâmina.
- ◆ Nunca efectue qualquer limpeza, manutenção, remoção de aparas ou outras partes da peça da área de corte quando a máquina estiver em funcionamento e a cabeça da lâmina não estiver na posição de descanso.
- ◆ Se possível, monte sempre a máquina numa bancada.
- ◆ Certifique-se de que todos os manipuladores e botões de bloqueio estão bem apertados antes de iniciar qualquer operação.
- ◆ Nunca utilize a sua serra sem o encaixe.
- ◆ Nunca tente parar rapidamente a máquina em movimento colocando uma ferramenta ou outro objecto contra a lâmina; se o fizer, poderá causar acidentes graves.
- ◆ Consulte o manual de instruções antes de utilizar ou instalar qualquer acessório. A utilização incorrecta de um acessório pode causar danos.

- ◆ Levante a lâmina da guia da mesa na peça de trabalho antes de libertar o interruptor para ligar/desligar.
- ◆ Não introduza nenhum objecto contra a ventoinha para fixar o eixo do motor.
- ◆ O resguardo da lâmina na serra é levantado automaticamente quando o suporte é empurrado para baixo. É rebaixado sobre a lâmina quando o suporte é levantado. O resguardo pode ser levantado com a mão durante a colocação ou remoção das lâminas de serra ou a inspecção da serra. Nunca levante a protecção da lâmina manualmente, a menos que a máquina esteja desligada.
- ◆ Verifique periodicamente se as entradas de ventilação do motor estão limpas e sem aparas.
- ◆ Nunca desfigure os sinais de aviso existentes na ferramenta eléctrica.
- ◆ Não se coloque sobre a ferramenta eléctrica. Poderão ocorrer ferimentos graves se a ferramenta tombar ou se entrar em contacto com a lâmina de serra.
- ◆ Após a utilização da máquina, não toque na lâmina de serra antes que esta tenha arrefecido. A lâmina de serra fica bastante quente durante o funcionamento.
- ◆ Para evitar ferimentos causados pelo arremesso de materiais, retire a bateria da serra para evitar o arranque accidental e, em seguida, remova os materiais de pequenas dimensões.
- ◆ Antes da utilização e após qualquer trabalho de manutenção, a protecção da lâmina deve ser verificada para assegurar o funcionamento adequado. Este teste deve ser efectuado com a serra desligada e com a bateria removida. O braço tem de ser levantado e baixado para garantir que a protecção cobre a lâmina e que a lâmina não entra em contacto com a protecção. Se a protecção não funcionar correctamente, solicite a respectiva reparação a um agente de reparação qualificado. Contacte o serviço de apoio ao cliente da Stanley Fat Max para obter a localização do agente de reparação mais perto de si.
- ◆ **Esta serra de esquadria foi concebida para serrar apenas madeira, plástico e metais não ferrosos.** Não utilize a serra para cortar materiais diferentes dos recomendados pelo fabricante.
- ◆ Não segure na lâmina da serra antes de que arrefeça após o trabalho. A lâmina da serra fica muito quente durante a operação.



Atenção! O corte de plástico, madeira com seiva e outros materiais pode causar a acumulação do material derretido nas pontas da lâmina e na lâmina da serra, aumentando o risco de sobreaquecimento e dobragem da lâmina durante o corte.

Segurança de terceiros

- ◆ Este carregador pode ser utilizado por crianças com 8 anos de idade ou mais e por pessoas que apresentem capacidades físicas, sensoriais ou mentais reduzidas ou que não possuam os conhecimentos e a experiência necessários, se forem vigiadas e instruídas acerca da utilização do aparelho de uma forma segura e entenderem os perigos envolvidos.
- ◆ As crianças não deverão mexer no aparelho. A limpeza e manutenção não deverão ser efetuadas por crianças sem supervisão.

Riscos residuais

Os seguintes riscos são inerentes à utilização das serras: Mesmo com o cumprimento dos regulamentos de segurança relevantes e a implementação de dispositivos de segurança, alguns riscos residuais não podem ser evitados. Estes incluem:

- ◆ Ferimentos causados pelo contacto com peças em rotação/movimento.
- ◆ Danos auditivos.
- ◆ Risco de acidentes causados pelas partes não protegidas da lâmina de serra em rotação.
- ◆ Risco de ferimentos durante a troca de peças, lâminas ou acessórios.
- ◆ Risco de entalar os dedos quando abrir os resguardos.
- ◆ Perigos para a saúde causados pela inalação da poeira criada ao serrar madeira, especialmente carvalho, faia e aglomerado.
- ◆ Ferimentos causados pela utilização prolongada de uma ferramenta. Quando utilizar uma ferramenta durante períodos prolongados, certifique-se de que faz pausas regularmente.

Ruído

Os valores de emissora sonora declarados foram medidos de acordo com um método de teste padrão fornecido e podem ser utilizados para comparar ferramentas.

Os valores de emissão sonora declarados podem ainda ser utilizados numa avaliação preliminar da exposição.

Atenção! As emissões sonoras durante a utilização efectiva da ferramenta eléctrica podem ser diferentes dos valores declarados, dependendo da forma como a ferramenta é utilizada e, em especial, da maneira como a peça de trabalho é processada.

Atenção! Use sempre protecção auricular adequado. Em algumas condições e duração de utilização, o ruído produzido pelo equipamento pode causar perda auditiva. Tenha em conta os seguintes factores que influenciam a exposição ao ruído:

- ◆ Utilize lâminas de serra concebidas para reduzir o ruído emitido,

- ◆ Utilize apenas lâminas de serra bem afiadas e
- ◆ Utilize lâminas de serra especificamente concebida com redução de ruído.

Etiquetas colocadas na ferramenta

Os seguintes pictogramas, assim como o código de data, estão indicados na ferramenta:



Atenção! Para reduzir o risco de ferimentos, o utilizador deve ler o manual de instruções.



Utilize óculos ou viseiras de protecção.



Use uma protecção auditiva.



Utilize uma máscara anti-poeira.



Este produto não deve ser utilizado por crianças com menos de 16 anos.



Mantenha as mãos afastadas da lâmina.



Zona Livre de Mãos - Mantenha os dedos e os braços afastados de lâminas de serra em rotação.



Utilize luvas quando manusear lâminas de serra



Não olhe fixamente para a luz de funcionamento.

Instruções de segurança adicionais para baterias e carregadores

Atenção! O aparelho só pode ser utilizado com a fonte de alimentação fornecida com o mesmo.

Nota: A gama de temperaturas da ferramenta recomendada varia entre 4 °C e 40 °C.

Baterias

- ◆ Nunca tente abrir a bateria, seja qual for o motivo.
- ◆ Não exponha a bateria à água.
- ◆ Não armazene em locais onde a temperatura possa exceder os 40 °C.
- ◆ Carregue apenas a temperaturas ambiente entre 10 °C e 40 °C.
- ◆ Carregue apenas com o carregador fornecido com a ferramenta.
- ◆ Ao eliminar as baterias, siga as instruções indicadas na secção "Protecção do ambiente".



Não tente carregar baterias danificadas.

Carregadores

- ◆ Utilize o carregador Stanley FatMax apenas para carregar a bateria na respectiva ferramenta. Outras baterias podem rebentar, provocando ferimentos e danos.
- ◆ Nunca tente carregar baterias não recarregáveis.
- ◆ Substitua os cabos defeituosos imediatamente.
- ◆ Não exponha o carregador à água.
- ◆ Não abra o carregador.
- ◆ Não manipule o interior do carregador.



O carregador deverá ser utilizado apenas em espaços interiores.



Antes da utilização, leia o manual de instruções.

Segurança eléctrica



O seu carregador tem isolamento duplo. Por esse motivo, não precisa de ligação à terra. Verifique sempre se a tensão de alimentação corresponde à tensão indicada na placa sinalética. Nunca tente substituir a unidade do carregador por uma tomada de alimentação normal.

- ◆ Se o cabo de alimentação estiver danificado, terá de ser substituído pelo fabricante ou por um centro de assistência autorizado Stanley FatMax para evitar acidentes.

Componentes

Esta ferramenta inclui algumas ou todas as características seguintes.

1. Interruptor de accionamento
2. Punho
3. Orifícios de montagem
4. Resguardo inferior
5. Botão de bloqueio da esquadria
6. Botão do trinco de esquadria
7. Placa de corte
8. Régua de esquadria
9. Indicador da régua de esquadria
10. Pegas de transporte
11. Placa
12. Botão de fixação do bisel
13. Varões
- 13a. Tira de velcro
14. Porta de recolha de poeira
15. Bateria
16. Interruptor da luz de trabalho
17. Alavanca de desbloqueio
18. Parafuso de bloqueio do varão
19. Orifício para montagem de fixação
20. Pino de fixação

Montagem (Fig. A)

A serra de esquadria está parcialmente montada na embalagem.

- ◆ Abra a caixa e levante a serra com as pegas de transporte (10) na base da serra (Fig. A).
- ◆ Coloque a serra sobre uma superfície macia e plana, como uma bancada ou uma mesa robusta.
- ◆ Consulte o diagrama de montagem na página 2 deste manual para estar familiarizado com a serra e as várias peças. A secção sobre ajustes faz referência a estes termos e deve conhecer as peças e onde estão.
- ◆ O botão de bloqueio da esquadria (5) não está montado para envio. Retire o botão de bloqueio da esquadria (5) da embalagem e aperte-o na serra, consulte as Figuras G e J para saber qual é a posição.
- ◆ A serra tem uma porta de recolha de poeira (14) integrada que permite a ligação do saco para o pó (35) fornecido, mas não montado ou do sistema de aspiração para oficinas (Fig. M).

Placa de corte (Fig. J)

A placa de corte (7) está fixada na mesa com 6 parafusos. A altura da placa de corte (7) não é ajustável.

Nota: Se a placa de corte (7) estiver gasta, danificada ou tiver de ser substituída, as reparações devem ser efectuadas por técnicos de reparação autorizados ou por técnicos de manutenção da Stanley Fat Max.

Pino de fixação (Fig. F)

Atenção! O pino de fixação SÓ pode ser utilizado para o transporte ou armazenamento da serra. NUNCA utilize o pino de fixação para qualquer operação de corte.

Nota: Para levantar, transportar ou apoiar a serra de esquadria durante o transporte, use as duas pegas de transporte (10) localizadas em ambos os lados da base da serra de esquadria (Fig. A).

Para fixar a cabeça da serra na posição descendente, empurre a cabeça de serra para baixo, empurre o pino de fixação (20) e liberte a cabeça da serra. Isto permite fixar a cabeça da serra com firmeza, permitindo assim transportar a serra de um local para outro. Para libertá-la, prima a cabeça da serra para baixo e prima o pino para fora.

Atenção! Certifique-se sempre de que a ferramenta está desligada e que retirou a bateria da ferramenta antes de ajustar ou verificar o funcionamento da ferramenta.

Carregar a bateria (Fig. B)

Os carregadores Stanley FatMax são concebidos para carregar baterias Stanley FatMax.

- ◆ Ligue o carregador (21) numa tomada adequada antes de inserir uma bateria (15).

- ◆ Insira a bateria (15) no carregador, assegurando-se que a bateria fica totalmente encaixada nas ranhuras da bateria (Figura B).



O LED (21a) começa a piscar, indicando que a bateria está a ser carregada.



A conclusão do processo de carregamento é indicado pelo LED, que permanece ligado de maneira contínua. A bateria fica totalmente carregada e pode ser utilizada nesta altura ou pode deixá-la no carregador.

- ◆ Recarregue as baterias descarregadas assim que possível após a utilização, caso contrário a duração da bateria pode diminuir consideravelmente.
- ◆ Para uma maior duração da bateria, não descarregue as baterias totalmente. Recomenda-se que as baterias sejam carregadas após cada utilização.

Diagnóstico do carregador (Fig. C)

Este carregador foi concebido para detectar determinados problemas que podem ocorrer nas baterias ou na fonte de alimentação. Os problemas são indicados pela iluminação de um LED intermitente com diferentes padrões.

Problemas na bateria



O carregador permite detectar uma bateria fraca ou danificada. Este LED pisca com o padrão indicado na etiqueta. Se aparecer este padrão intermitente de problemas na bateria, interrompa o carregamento da bateria. Entregue-a a um centro de assistência ou num local de recolha para reciclagem.

Retardação de calor/frio da bateria



Quando o carregador detecta que uma bateria está demasiado quente ou fria, inicia automaticamente a retardação de calor/frio, interrompendo o processo de carga até a bateria normalizar. Em seguida, o carregador muda automaticamente para o modo Carregar a bateria. Esta função assegura a duração máxima da bateria. Este indicador luminoso pisca com o padrão indicado na etiqueta.

Deixar a bateria no carregador

O carregador e a bateria podem ser sempre deixados ligados com o LED aceso indefinidamente. O carregador mantém a bateria com energia e totalmente carregada. Este carregador inclui um modo de regulação automática que nivela ou equilibra as células individuais na bateria para que funcione com a capacidade máxima. As baterias devem ser reguladas todas as semanas ou se a bateria não fornecer o mesmo volume de trabalho. Para utilizar o modo de regulação automática, coloque a bateria no carregador e deixe-a aí durante pelo menos 8 horas.

Notas importantes sobre carregamento

- ◆ É possível aumentar a duração e obter o melhor desempenho se a bateria for carregada a uma temperatura ambiente que se situe entre os 18 °C e 24 °C. NÃO carregue a bateria se a temperatura ambiente for inferior a +4,5 °C ou superior a +40 °C. Este requisito é importante e impede danos graves na bateria.
- ◆ O carregador e a bateria podem ficar demasiado quentes durante o carregamento. Isto é uma situação normal e não representa um problema.
- ◆ Para facilitar o arrefecimento da bateria após a utilização, evite colocar o carregador ou a bateria num local quente, como num barracão metálico ou num reboque não isolado.
- ◆ Se a bateria não carregar correctamente:
 - ◆ Verifique o funcionamento do receptáculo, ligando uma lâmpada ou outro aparelho;
 - ◆ Verifique se o receptáculo está ligado a um interruptor de luz que se desliga quando apaga as luzes;
 - ◆ Coloque o carregador e a bateria num local onde a temperatura ambiente varie entre 18 °C – 24 °C;
 - ◆ Se os problemas de carregamento, leve a ferramenta, a bateria e o carregador para um centro de assistência local.
- ◆ A bateria é recarregada se não conseguir produzir energia suficiente para tarefas que eram efectuadas antes com facilidade. NÃO CONTINUE a utilizar o aparelho nestas condições. Siga o procedimento de carregamento. Pode também carregar uma bateria parcialmente utilizada sempre que quiser, porque não afecta a bateria.
- ◆ Os materiais estranhos de natureza condutora, mas não limitados a, resíduos de limalha, cavacos de metal, lâ de aço, folha de alumínio, ou acumulação de partículas metálicas devem ser retirados dos orifícios do carregador. Desligue o carregador antes de proceder à limpeza.
- ◆ Não congele ou coloque o carregador dentro de água ou de outros líquidos.

Colocar e remover a bateria (Fig. D, E)

- ◆ Para colocar a bateria (15), alinhe-a com o receptáculo na ferramenta (22). Deslize a bateria para dentro do receptáculo e empurre-a até ficar bem encaixada.
- ◆ Para remover a bateria, pressione o botão de desbloqueio da bateria (15a) enquanto retira, ao mesmo tempo, a bateria do receptáculo, como indicado na Figura E.

Mudar ou instalar uma nova lâmina de serra (Fig. G, H, I)

Atenção! Para reduzir o risco de ferimentos graves, desligue a ferramenta e retire a bateria antes de transportar a ferramenta, efectuar quaisquer ajustes ou de retirar/instalar dispositivos complementares ou acessórios. Um arranque accidental pode causar ferimentos.

Remoção da lâmina

- ◆ Remova a bateria (15) da serra.
- ◆ Levante o braço para a posição superior e levante o resguardo inferior (4) o máximo possível.
- ◆ Afrouxe, mas não retire o parafuso dianteiro do suporte do resguardo (24) até o suporte (25) poder ser levantado o suficiente para aceder ao parafuso da lâmina (26). O resguardo inferior permanece levantado devido à posição do parafuso do suporte do resguardo.
- ◆ Pressione o botão de bloqueio do veio (28) enquanto roda manualmente a lâmina da serra (29) com cuidado até o engate ficar activado.
- ◆ Mantendo o botão premido, utilize a outra mão e o lado hexagonal da chave fornecida para soltar o parafuso da lâmina (26). (Rode as roscas no lado esquerdo no sentido dos ponteiros do relógio.)
- ◆ Retire o parafuso da lâmina (26) com o lado hexagonal da chave fornecida, a anilha de fixação exterior (30) e a lâmina (29). Pode deixar a anilha de fixação interna (31) no eixo (32).

Instalar uma lâmina

- ◆ Remova a bateria (15) da serra.
- ◆ Com o braço levantado, o resguardo inferior (4) aberto e o suporte do resguardo (25) levantado, coloque a lâmina (29) no eixo (32) e contra a braçadeira da lâmina interior (31) com os dentes da lâmina a apontarem na direcção de rotação, como indicado na serra.
- ◆ Fixe a anilha de fixação exterior (30) no eixo (32).
- ◆ Coloque o parafuso da lâmina (26) e, fixando o bloqueio do eixo (28), aperte o parafuso (26) com firmeza com a chave fornecida (rode as roscas de esquerda no sentido contrário ao dos ponteiros do relógio).
- ◆ Volte a colocar o suporte do resguardo (25) na posição original, totalmente virada para baixo e aperte com firmeza o parafuso do suporte do resguardo (24) para fixar o suporte no respectivo local.

Sistema de guia da linha de corte

Atenção! Não olhe fixamente para a luz de trabalho. Podem ocorrer lesões oculares graves.

Nota: A bateria deve estar carregada e ligada à serra de esquadria.

O sistema de guia da linha de corte só pode ser ligado ou desligado com o interruptor da luz de trabalho (16). Para cortar ao longo de uma linha escrita a lápis numa placa de madeira, ligue o sistema de guia da linha de corte com o interruptor da luz de trabalho (16) (não com o gatilho principal) e depois puxe o punho (2) para baixo para aproximar a lâmina de serra da madeira.

O tracejado da lâmina aparece na placa de madeira. Esta linha de sombra representa o material que a lâmina vai remover quando fizer um corte.

Para localizar correctamente o corte no tracejado do lápis, alinhe o tracejado com a extremidade da sombra da lâmina. Tenha em atenção que pode ser necessário ajustar os ângulos de esquadria ou bisel para que correspondam exactamente ao tracejado do lápis.

A serra está equipada com uma função contra avaria da bateria. A luz de trabalho começa a piscar quando a carga da bateria se aproxima do fim da vida útil ou quando está demasiado quente. Carregue a bateria antes de continuar as tarefas de corte. Consulte o procedimento de carregamento indicado em Instruções de segurança importantes para obter instruções de carregamento importantes da bateria.

Controlo de esquadria (Fig. J)

O botão de bloqueio da esquadria (5) e o botão do trinco de esquadria (6) permite criar um ângulo de esquadria de 47° para a direita e de 47° para a esquerda. O trinco de esquadria é localizado automaticamente no ângulo de 0°, 15°, 22,5°, 31,6° e 45° tanto no lado esquerdo como direito. Para fazer a esquadria da serra, desbloqueie o mecanismo de bloqueio da esquadria rodando o botão de bloqueio da esquadria (5) para a esquerda para desbloquear e para a direita para bloquear. Puxe o botão do trinco de esquadria (6) para cima e regule o ângulo de esquadria pretendido na escala da esquadria (8). Fixe o botão de bloqueio da esquadria (5) rodando-o para a direita.

Botão de fixação do bisel (Fig. K)

O bloqueio de bisel permite inclinar a serra num ângulo de 48° para a esquerda. Para regular a definição do bisel, rode o botão de fixação do bisel (12) no sentido dos ponteiros do relógio para soltá-lo. Para apertá-la, rode o botão de bloqueio de bisel no sentido dos ponteiros do relógio.

Cuidado! Risco de encravamento. Certifique-se de que aperta o botão de fixação do bisel antes de ajustar saliências.

Interruptor de gatilho (Fig. L)

Para ligar a serra, empurre a alavanca de desbloqueio (17) para a esquerda, depois pressione o interruptor de gatilho (1). A serra roda enquanto o interruptor for pressionado. Permita que a lâmina rode até ser atingida a velocidade máxima de funcionamento antes de fazer o corte. Para desligar a serra, solte o interruptor. Aguarde até a lâmina parar antes de levantar a cabeça da serra. Não há qualquer indicação para manter o interruptor ligado. O gatilho inclui um orifício (1a) para inserir um cadeado para bloquear o interruptor.

A serra não está equipada com um travão da lâmina eléctrica automática, mas a lâmina da serra deve parar 5 segundos depois do gatilho ser solto. Isto não é ajustável. Se o tempo de paragem demorar várias vezes mais de 5 segundos, a

ferramenta deve ser reparada por um centro de assistência autorizado da Stanley FatMax.

Certifique-se sempre de que a lâmina parou antes de retirá-la do corte.

Extracção de pó (Fig. M)

Atenção! Para reduzir o risco de ferimentos graves, desligue a ferramenta e retire a bateria antes de transportar a ferramenta, efectuar quaisquer ajustes ou de retirar/instalar dispositivos complementares ou acessórios. Um arranque acidental pode causar ferimentos.

A serra tem uma porta de recolha de poeira (14) integrada que permite a ligação do saco para o pó (35) fornecido, mas não montado ou de um sistema de aspiração para oficinas.

Colocar o saco para o pó

- ◆ Instale o saco para o pó (35) na porta de recolha de poeira (14), como indicado na Figura M.
- ◆ Um tubo de vácuo (38 - não fornecido) pode ser montado na porta de recolha de poeira (14) em vez do saco para o pó (35). Para o fazer, monte o tubo de vácuo (38) em vez do saco para o pó (35), consulte a Figura M.
- ◆ Use a tira de velcro (13a) para manter o tubo de vácuo (38) afastado das calhas deslizantes (13) quando abrir a serra.

Nota: A tira de velcro (13a) não é uma pega de transporte e não deve ser utilizada para mover ou transportar a serra.

Esvaziar o saco para o pó

- ◆ Retire o saco para o pó (35) da serra e agite ou bata ligeiramente no saco para esvaziá-lo.
- ◆ Volte a montar o saco para o pó na porta de recolha de poeira (14).

Irá verificar que não sai a totalidade da poeira do saco. Isto não afecta o desempenho de corte, mas reduz a eficiência de recolha de pó da serra. Para repor a eficiência de recolha de pó da serra, pressione a mola no interior do saco para o pó quando o esvaziar e toque na parte lateral do caixote do lixo ou do recipiente para o pó.

Atenção! Só deve utilizar a serra com o saco para o pó montado. A serradura pode dar origem a problemas respiratórios.

Cortar com a serra

Se a função de deslizamento não for utilizada, certifique-se de que a cabeça da serra está empurrada para trás o máximo possível e que o parafuso de bloqueio da calha (18) está apertado. Isto impede que a serra deslize ao longo das calhas à medida que a peça é encaixada.

Nota: NÃO CORTE METAIS FERROSOS OU ALVENARIA COM ESTA SERRA (OS METAIS NÃO FERROSOS PODEM SER CORTADOS COM ESTA SERRA. Não utilize quaisquer lâminas abrasivas.

Nota: Consulte a activação do resguardo e a visibilidade na secção de ajustes para obter informações importantes sobre o resguardo inferior antes de fazer cortes.

Cortes transversais (Fig. N)

Um corte transversal é efectuado através do corte de madeira ao longo do grão em qualquer ângulo. Um corte transversal direito é efectuado com o braço de esquadria na posição de grau zero. Regule e bloqueie o braço de esquadria para o valor zero, segure a placa de madeira com firmeza sobre a mesa e contra a placa. Com o botão de bloqueio da calha (18) apertado, ligue a serra premindo o interruptor de gatilho (1). Quando a serra atingir a velocidade pretendida (cerca de 1 segundo), baixe o braço com cuidado e lentamente para cortar a madeira. Deixe a lâmina parar por completo antes de levantar o braço.

Se cortar algum pedaço com um tamanho superior a 2 x 4 (51 x 102), utilize um movimento para fora-baixo-e para trás com o parafuso de bloqueio da calha (18) afrouxado. Puxe a serra para fora, na sua direcção e baixe a cabeça da serra na direcção da peça de trabalho, e empurre lentamente a serra para concluir o corte. Não deixe que a lâmina da serra entre em contacto com a parte superior da peça de trabalho enquanto a puxa para fora. A serra pode rodar na sua direcção, podendo causar ferimentos ou danos na peça de trabalho.

Atenção! Utilize sempre um sistema de fixação de trabalho para manter o controlo e reduzir o risco de danos na peça de trabalho e ferimentos, no caso de ser necessário manter as mãos a uma distância de 6" (152 mm) da lâmina durante o corte.

Nota! O parafuso de bloqueio do varão (18) deve ser desapertado para permitir que a serra deslize ao longo das respectivas calhas.

Os cortes transversais com esquadria são efectuados com o braço de esquadria a um ângulo diferente de zero.

Este ângulo é, normalmente, de 45° para fazer cantos, mas pode ser regulado em qualquer local, desde a 47° para a esquerda ou 47° para a direita. Faça o corte como descrito acima.

Se efectuar um corte de esquadria em peças de trabalho com um tamanho superior a 2 x 6 que sejam mais curtos em comprimento, coloque sempre o lado mais comprido contra a placa (Fig. N).

Para cortar ao longo de um tracejado a lápis numa placa de madeira, tente corresponder o ângulo o mais próximo possível. Corte um pedaço de madeira um pouco maior e meça a partir do tracejado do lápis até à extremidade de corte para determinar a direcção de ajuste do ângulo de esquadria e volte a fazer o corte. Requer alguma prática, mas é uma técnica muito utilizada.

Cortes em bisel

Um corte em bisel é um corte transversal com a lâmina da serra a um determinado ângulo da madeira. Para regular o bisel, afrouxe o botão de fixação do bisel (12), e mova a serra para a esquerda, conforme pretendido. Depois de definir o ângulo de bisel pretendido, aperte o bloqueio do bisel com firmeza. Os ângulos de inclinação podem ser regulados entre 3° para a direita e 48° para a esquerda.

Qualidade do corte

A suavidade de qualquer corte depende de vários factores. Por exemplo, o material a cortar, o tipo de lâmina, o gume da lâmina e a profundidade de corte influenciam a qualidade do corte. Quando são necessários cortes perfeitos para molduras e outros trabalhos de precisão, uma lâmina afiada (ponta de 60 dentes de carboneto) e uma profundidade de corte mais lenta e uniforme produz os resultados desejados.

Certifique-se de que o material não se desloca ou arrasta durante o corte; fixe-o bem no seu lugar.

Aguarde sempre que a lâmina pare por completo, antes de levantar o braço.

Se se formarem pequenos fragmentos de madeira na parte de trás da peça de trabalho, cole um pedaço de fita adesiva na madeira onde o corte vai ser efectuado. Serre através da fita cola e retire-o depois cuidadosamente.

Para outras aplicações de corte, consulte a lista de lâminas de serra recomendadas para a sua serra e escolha a que mais se adequa às suas necessidades. Consulte Lâminas de serra em Acessórios opcionais.

Posição do corpo e das mãos (Fig. O1–O4)

O posicionamento correcto do seu corpo e das suas mãos durante o trabalho com a serra de esquadria torna o corte mais fácil, preciso e seguro. Nunca coloque as mãos perto da área de corte. As mãos não devem estar a uma distância inferior a 6" (152 mm) da lâmina. Fixe a peça de trabalho com firmeza na mesa e na placa quando fizer cortes. Mantenha as mãos em posição, até o gatilho estar solto e a lâmina parar por completo.

EFFECTUE SEMPRE TESTES (SEM LIGAÇÃO À CORRENTE) ANTES DE CONCLUIR OS CORTES, PARA QUE POSSA VERIFICAR A TRAJECTÓRIA DA LÂMINA. NÃO CRUZE AS MÃOS, TAL COMO INDICADO NA FIGURA O3.

Coloque os pés firmemente assentes no chão e mantenha o equilíbrio adequado. À medida que desloca o braço de esquadria para a esquerda ou direita, acompanhe-o e encoste-se ligeiramente na parte lateral da lâmina da serra. Quando seguir uma linha traçada a lápis, observe através dos deflectores de protecção.

Fixar a peça de trabalho

Atenção! Para reduzir o risco de ferimentos graves, desligue a ferramenta e retire a bateria antes de transportar a ferra-

menta, efectuar quaisquer ajustes ou de retirar/installar dispositivos complementares ou acessórios. Um arranque accidental pode causar ferimentos.

Atenção! Uma peça que esteja fixada, equilibrada e segura antes de um corte pode ficar desequilibrada depois de um corte ser concluído. Se a carga estiver desequilibrada, a serra ou qualquer objecto a que a serra esteja fixada pode ficar desequilibrada, por exemplo, uma mesa ou uma bancada. Quando fizer um corte que possa ficar desequilibrado, apoie correctamente a peça de trabalho e certifique-se de que a serra está devidamente fixada numa superfície estável. Podem ocorrer ferimentos.

Atenção! Quando o sistema de fixação é utilizado, o pé de fixação pode ficar demasiado fixo acima da base da serra. Fixe sempre a peça de trabalho na base da serra – e não a qualquer outra parte da área de trabalho. Certifique-se de que a base de fixação não está bloqueada na extremidade da base da serra.

Atenção! Utilize sempre um sistema de fixação de trabalho para manter o controlo e reduzir o risco de danos na peça de trabalho e ferimentos, no caso de ser necessário manter as mãos a uma distância de 6" (152 mm) da lâmina durante o corte. Se não conseguir fixar a peça de trabalho na mesa e contra a placa com a mão (forma irregular, etc.), ou se a sua mão estiver a menos de 6" (152 mm) da lâmina, deve ser utilizado uma abraçadeira ou outro dispositivo de fixação. Utilize o sistema de fixação de material fornecido com a serra. Para adquirir um sistema de fixação de material, contacte o revendedor local ou o centro de assistência da Stanley FatMax.

Outros sistemas de apoio, tais como pinças com molas, ganchos ou grampos em forma de C, podem ser adequados para determinados tamanhos e tipos de material. Tenha atenção quando escolher e colocar estas abraçadeiras. Demore o tempo necessário para fazer um teste antes de cortar a peça.

Para instalar a abraçadeira (Fig. P)

- ◆ Introduza a abraçadeira (37) no orifício (19) por trás da placa. A abraçadeira deve ficar virada para a frente na direcção da parte de trás da serra de esquadria. A ranhura no varão de fixação deve ser inserida totalmente na base. Certifique-se de que esta ranhura está totalmente inserida na base da serra de esquadria. Se a ranhura estiver visível, isso significa que a abraçadeira não está fixa.
- ◆ Rode a abraçadeira num ângulo de 180° para a frente da serra de esquadria.
- ◆ Afrouxe o botão para ajustar a abraçadeira para cima ou para baixo, e depois o botão de ajuste para fixar a peça de trabalho com firmeza.

Nota: Coloque a abraçadeira no lado oposto da base quando fizer trabalhos em bisel. EFECTUE SEMPRE TESTES (SEM LIGAÇÃO À CORRENTE) ANTES DE CONCLUIR OS CORTES, PARA VERIFICAR A TRAJECTÓRIA DA LÂMINA. CERTIFIQUE-SE DE QUE O GRAMPO NÃO INTERFERE COM O MOVIMENTO DA SERRA OU DOS RESGUARDOS.

Ajustes

A serra de esquadria está totalmente ajustada e de maneira precisa de origem aquando da altura de fabrico. Se for necessário ajustá-la novamente, em caso de transporte, manuseamento ou qualquer outro motivo, siga os passos indicados abaixo para ajustar a serra. Depois de os efectuar, estes ajustes devem permanecer precisos. Demore o tempo necessário para seguir estas instruções com atenção para manter a precisão da sua serra.

Ajuste da régua de esquadria (Fig. Q1)

Bloqueie o braço na posição para baixo. Desbloqueie o botão de bloqueio da esquadria (5) e rode o braço de esquadria até o botão do trinco de esquadria (6) o bloquear na posição de esquadria de 0°. Não bloqueie o botão de bloqueio da esquadria. Coloque um esquadro sobre a placa e a lâmina da serra, tal como indicado. (Não toque nas pontas dos dentes da lâmina com o esquadro. Se o fizer, a medição poderá não ser precisa.)

Se a lâmina da serra não ficar exactamente na perpendicular em relação à placa, afrouxe e mova a placa do material até a lâmina ficar perpendicular com a placa, tal como medido com o esquadro. Não preste atenção à indicação do indicador da esquadria neste momento.

Falsa esquadria para ajuste da mesa (Fig. Q2)

Para alinhar o esquadro da lâmina com a mesa, fixe o braço na posição descendente com o pino de fixação (20). Coloque um esquadro sobre a lâmina, certificando-se de que o esquadro não fica em cima dos dentes. Afrouxe o botão de bloqueio de bisel (5) e certifique-se de que o braço fica assente com firmeza contra o batente do bisel num ângulo de 0°. Rode o parafuso de ajuste de bisel para um ângulo de 0° com a chave de 1/2" (12,7 mm) (não fornecida) conforme necessário de modo a que a lâmina fique com um bisel de 0° relativamente à mesa, tal como medido com o esquadro.

Activação do resguardo e visibilidade (Fig. V)

Atenção! Risco de encravamento. Para reduzir o risco de ferimentos, mantenha o polegar por baixo do punho quando puxar a alavanca para baixo. O resguardo inferior desloca-se para cima à medida que o punho é puxado para baixo, o que pode causar encravamento.

O resguardo inferior (4) na serra foi concebido para destapar automaticamente a lâmina quando o braço está rebaixado e para tapar a lâmina quando o braço está levantado.

Antes de cada utilização ou depois de efectuar algum ajuste, rode o braço (sem ligação à corrente) e certifique-se de que o resguardo abre e feche sem dificuldade. Não deve entrar em contacto com a lâmina. Com o braço para cima, levante o resguardo (sem ligação à corrente), como indicado na Figura V e solte-o. O resguardo deve fechar-se rapidamente.

Não utilize a serra se o resguardo não se movimentar livremente e fechar rapidamente. Quando utilizar a serra, nunca aperte ou fixe o resguardo numa posição aberta.

O resguardo pode ser levantado com a mão durante a colocação ou remoção das lâminas de serra ou a inspecção da serra.

NUNCA LEVANTE O RESGUARDO INFERIOR MANUALMENTE, A NÃO SER QUE A LÂMINA ESTEJA PARADA.

Nota: Alguns cortes especiais de material comprido requerem a elevação manual do resguardo. Consulte Cortar material comprido em Cortes especiais.

A parte frontal do resguardo tiver persianas para uma melhor visibilidade durante o corte. Embora os defletores reduzem significativamente os resíduos projetados, são aberturas no resguardo e os óculos de segurança devem ser sempre usados.

Guia de calha

Verifique regularmente se as calhas (13) apresentam folgas ou obstruções. As calhas devem ser limpas com um pano limpo e seco.

Corte de molduras, caixas seladas e outros objectos rectangulares (Fig. R1, R2)

Para uma melhor compreensão dos artigos referidos neste documento, sugerimos que faça alguns projectos simples com pedaços de madeira até apanhar o jeito com a sua serra. A sua serra é uma ferramenta perfeita para fazer cortes angulares, como indicado na Figura R1. O Esquema A na Figura R2 mostra uma junta efectuada com o ajuste de bisel das extremidades de duas tábuas a um ângulo de 45° para obter um ângulo de 90°. Para esta junta, o braço de esquadria foi bloqueado na posição zero e o ajuste de bisel foi bloqueado a um ângulo de 45°. A madeira foi posicionada com o lado achatado e largo sobre a mesa e a face mais estreita contra a placa. O corte pode ser feito cortando em ângulo à direita e à esquerda, com a superfície larga contra a placa.

Corte de molduras e outras armações (Fig. R2)

O esquema B na Figura R2 mostra uma união ao regular o braço de esquadria a um ângulo de 45° para fazer a esquadria de duas placas para formar um ângulo de 90°. Para criar este tipo de junta, regule o ajuste de bisel para zero e o braço de esquadria para 45°. Posicione novamente a placa

de madeira com o lado largo e a face mais estreita contra a placa.

As Figuras R1 e R2 referem-se apenas a objectos de quatro lados.

Se o número de lados mudar, mudam-se também os ângulos de bisel e de esquadria. O gráfico abaixo mostra os ângulos adequados para várias formas.

Exemplos

| Número de lados | Esquadria ou ângulo de bisel |
|-----------------|------------------------------|
| 4 | 45° |
| 5 | 36° |
| 6 | 30° |
| 7 | 25,7° |
| 8 | 22,5° |
| 9 | 20° |
| 10 | 18° |

O gráfico parte do pressuposto que todos os lados têm comprimento igual. Para obter uma forma que não esteja indicada no gráfico, utilize o seguinte sistema: 180° dividido pelo número de lados é igual à esquadria (se o material for cortado na vertical) ou em ângulo de bisel (se o material for cortado achatado).

Corte de meia-esquadria composta (Fig. R3)

Uma esquadria composta é um corte feito utilizando ao mesmo tempo um ângulo de esquadria e um ângulo de inclinação. Este é o tipo de corte utilizado para fazer armações ou caixas com lados inclinados, como mostrado na Figura R3.

Nota: Se o ângulo de corte variar de corte para corte, controle se o botão de fixação de inclinação e o botão de fixação de esquadria estão bem seguros. Estes botões devem estar bem apertados, depois de fazer qualquer modificação na inclinação ou na esquadria. O gráfico indicado no fim deste manual (Tabela 1) ajuda-o a escolher as definições de bisel e esquadria adequadas para cortes comuns de meia-esquadria composta. Para utilizar o gráfico, seleccione o ângulo A (Fig. R3) pretendido para o seu projecto e localize esse ângulo no arco adequado no gráfico. A partir desse ponto siga a tabela precisamente para encontrar o ângulo correcto da inclinação e passe para o outro lado para encontrar o ângulo devido da esquadria.

Coloque a sua serra nos ângulos descritos e faça uns cortes de experiência. Pratique o encaixe de peças cortadas até perceber como funciona e estar à vontade.

Exemplo: Para fazer uma caixa de 4 lados com ângulos exteriores de 26° (Ângulo A, Fig. R3), use o arco de cima à direita. Procure um ângulo de 26° na régua do arco. Siga a

linha de intersecção horizontal num dos lados para obter a definição de ângulo de esquadria na serra (42°). Igualmente, siga a linha de intersecção vertical até ao topo ou ao fundo, para obter a posição do ângulo em bisel na serra (18°). Experimente sempre os cortes em pedaços de madeira, para verificar as posições na serra.

Corte da moldura base (Fig. S)

Cortes de 90° a direito:

Posicione a madeira contra a placa e segure-a no local pretendido, como indicado na Figura S. Ligue a serra, aguarde até que esta atinja a velocidade total e baixe o braço com cuidado através do corte.

Corte da moldura base até 3,5" (90 mm) na vertical contra a placa

Posicione o material, como indicado na Figura S. Todos os cortes devem ser efectuados com a parte de trás da moldura contra a placa e com a parte inferior da moldura contra a mesa.

| | Ângulo interior | Ângulo exterior |
|---------------|---|--|
| Lado esquerdo | Esquadria esquerda a 45° Manter o lado esquerdo do corte | Esquadria direita a 45° Manter o lado esquerdo do corte |
| Lado direito | Esquadria direita a 45° Manter o lado direito do corte | Esquadria esquerda a 45° Manter o lado direito do corte |

O material com um tamanho até 3,5" (90 mm) pode ser cortado de acordo com o procedimento indicado acima.

Corte de molduras em coroa

De modo a encaixar correctamente, a moldura em coroa deve ser colocada em esquadria meia-composta de maneira muito precisa.

As duas superfícies achatadas numa determinada moldura em coroa estão a um ângulo que, quando são adicionados em conjunto, correspondem a um ângulo exacto de 90°. A maioria, mas não todas as molduras em coroa têm um ângulo traseiro superior (a secção que fica achatada contra o tecto) a um ângulo de 52° e a um ângulo traseiro inferior (a parte que fica achatada contra a parede) de 38°.

A sua serra de esquadria tem pontos de bloqueio especiais de esquadria predefinidos a 31,6° à esquerda e à direita ao corte de molduras em coroa ao ângulo adequado. Existe também uma marca na régua do ângulo de corte inclinado a 33,8°.

O gráfico Definição de bisel/tipo de corte mostra as definições adequadas para o corte de molduras em coroa. (O número de definições de esquadria e bisel são muito precisos e não são fáceis de definir com rigor na serra.) Uma vez que a maioria das salas não têm ângulos com 90° rigorosos, terá de regular as suas definições.

Instruções para o corte de molduras em coroa na horizontal e utilizando características compostas

- ◆ Pouse a moldura com a superfície traseira larga para baixo na mesa de serra (36) (Fig. T1).
- ◆ As definições abaixo dizem respeito a todas as molduras em coroa com ângulos de 52° e 38°.

| Definição de bisel | Tipo de corte |
|--------------------|---|
| 33,8° | LADO ESQUERDO, CANTO INTERIOR: 1. Parte superior da moldura contra a placa 2. Mesa com uma esquadria à direita de 31,62° 3. Manter a extremidade esquerda do corte |
| 33,8° | LADO DIREITO, CANTO INTERIOR: 1. Parte inferior da moldura contra a placa 2. Mesa com uma esquadria à esquerda de 31,62° 3. Manter a extremidade esquerda do corte |
| 33,8° | LADO ESQUERDO, CANTO EXTERIOR: 1. Parte inferior da moldura contra a placa 2. Mesa com uma esquadria à esquerda de 31,62° 3. Manter a extremidade direita do corte |
| 33,8° | LADO DIREITO, CANTO EXTERIOR: 1. Parte superior da moldura contra a placa 2. Mesa com uma esquadria à direita de 31,62° 3. Manter a extremidade direita do corte |

Nota: Quando definir os ângulos de bisel e de esquadria para todas as esquadrias compostas, tenha em atenção que os ângulos disponíveis para molduras de coroas são muito preciso e é difícil defini-los com precisão. Uma vez que podem facilmente mudar ligeiramente e muitos poucos quartos têm cantos em esquadria, todas as definições devem ser testadas em pedaços de molduras.

Método alternativo para corte de molduras em coroa

Coloque a moldura a um ângulo entre a placa (11) e a mesa da serra (36), com a parte superior da moldura sobre a mesa e a parte inferior da moldura na placa, como indicado na Figura T1.

A vantagem de utilizar este método para cortar molduras em coroa é o facto de não ser necessário fazer um corte em bisel. Podem ser efectuadas pequenas alterações no ângulo de esquadria sem afectar o ângulo de bisel. Deste modo, se houver ângulos que tenham 90°, é possível ajustar a serra de maneira de maneira fácil e rápida.

Instruções para cortar moldes em coroa em ângulo entre a placa e a base da serra para todos os cortes

Esta serra tem capacidade para cortar molduras em coroa até 9/16" (14 mm) x 3-5/8" (92 mm) encaixadas.

- ◆ Incline a moldura de modo a que a parte inferior da moldura (a parte que fica virada para a parede quando é instalada) fica virada contra a placa (11) e a parte superior da moldura fica encostada na mesa da serra (36), como indicado na Figura T2.

- ◆ A “parte plana” em ângulo na parte de trás da moldura deve permanecer em esquadria na placa e na mesa da serra (36).

| | Ângulo interior | Ângulo exterior |
|---------------|---|--|
| Lado esquerdo | Esquadria direita a 45° Manter o lado direito do corte | Esquadria esquerda a 45° Manter o lado direito do corte |
| Lado direito | Esquadria esquerda a 45° Manter o lado esquerdo do corte | Esquadria direita a 45° Manter o lado esquerdo do corte |

Cortes especiais

Nunca faça quaisquer cortes a menos que o material esteja fixado na mesa e contra a placa.

Material dobrado (Fig. U1, U2)

Quando cortar material dobrado, posicione-o sempre conforme descrito na Figura U1 e nunca como indicado na Figura U2. Se posicionar incorrectamente o material, a lâmina pode ficar presa quando estiver prestes a concluir o corte.

Cortar material redondo

O material redondo deve ser fixado ou preso com firmeza na placa para impedir que se desloque. Isto é muito importante quando fizer cortes em ângulo.

Corte de material comprido (Fig. V)

Pode encontrar ocasionalmente pedaços de madeira um pouco maiores que se encaixem debaixo do resguardo inferior. Para retirar o resguardo sobre a madeira, desligue a serra e com a mão direita no punho, coloque o polegar direito fora da parte superior do resguardo e desloque o resguardo para cima o suficiente para libertar a madeira, como indicado na Figura V. Liberte o resguardo antes de iniciar o motor. O mecanismo de protecção funciona correctamente durante o corte. Só deve fazê-lo se for necessário.

NUNCA AMARRE, COLE NEM MANTENHA O RESGUARDO ABERTO QUANDO UTILIZAR ESTA SERRA.

Manutenção

Atenção! Para reduzir o risco de ferimentos graves, desligue a ferramenta e retire a bateria antes de transportar a ferramenta, efectuar quaisquer ajustes ou de retirar/installar dispositivos complementares ou acessórios. Um arranque accidental pode causar ferimentos.

Atenção! Para reduzir o risco de ferimentos graves, NÃO toque nas partes afiadas da lâmina com os dedos ou mãos enquanto efectua qualquer trabalho de manutenção. NÃO utilize lubrificantes ou produtos de limpeza (especialmente pulverizantes ou aerossóis) perto do resguardo de plástico. O material de policarbonato utilizado no

resguardo está sujeito a ataques por determinados produtos químicos.

- ◆ Todos os rolamentos estão vedados. Estão lubrificados de maneira permanente e não necessitam de manutenção.
- ◆ Limpe periodicamente todas as aparas de madeira e pó em torno E DEBAIXO da base e da mesa rotativa. Embora a ferramenta disponha de ranhuras para permitir a passagem de resíduos, pode acumular-se poeira.
- ◆ As escovas são concebidas para fornecer-lhe vários anos de utilização. Se alguma vez for necessário substituí-las, leve a ferramenta ao centro de assistência mais próximo para reparação.

Resolução de problemas

| Problema | Causa possível | Solução |
|--|--|---|
| A serra não arranca. | A bateria não foi colocada. | Coloque a bateria. Consulte Colocar e retirar a bateria. |
| | A bateria não está carregada. | Carregue a bateria. Consulte Procedimento de carregamento. |
| | As escovas estão gastas | As escovas devem ser substituídas num centro de assistência autorizado. |
| Os cortes feitos pela serra não são satisfatórios. | Lâmina embotada. | Substitua a lâmina. Consulte Substituir ou instalar uma nova lâmina de serra. |
| | A lâmina está montada ao contrário. | Vire a lâmina ao contrário. Consulte Substituir ou instalar uma nova lâmina de serra. |
| | Há goma ou resina na lâmina. | Retire a lâmina e limpe com laço de aço grossa e terebentina ou um produto de limpeza para fogões de cozinha. |
| | Lâmina incorreta para o trabalho que está a ser efectuado. | Mude o tipo de lâmina. |
| A luz de trabalho está a piscar. | A bateria não está carregada | Carregue a bateria. Consulte Procedimento de carregamento. |
| A máquina vibra de maneira excessiva. | A serra não está montada de maneira segura no suporte ou na bancada de trabalho. | Aperte todo o material de montagem. Consulte Montagem em bancada |
| | O suporte ou a bancada foi colocada sobre um piso desnivelado. | Volte a colocar a ferramenta sobre uma superfície nivelada e plana. |
| | Lâmina de serra danificada. | Substitua a lâmina. Consulte Substituir ou instalar uma nova lâmina de serra. |

| Problema | Causa possível | Solução |
|--|--|--|
| Não faz cortes em esquadria rigorosos. | A régua de esquadria não foi ajustada correctamente. | Verifique e ajuste. Consulte Ajustar a régua de esquadria em Ajustes. |
| | A lâmina não está em esquadria em relação à placa. | Verifique e ajuste. Consulte Ajustar a régua de esquadria em Ajustes. |
| | A lâmina não está perpendicular em relação à mesa. | Verifique e ajuste a placa. Consulte Falsa esquadria para ajuste da mesa em Ajustes. |
| | A peça de trabalho desloca-se | Fixe a peça de trabalho de maneira segura na placa ou cole uma lixa de grão 120 na placa com cola de borracha. |
| | A guia de corte está gasta ou danificada. | Leve-a para um centro de assistência autorizado. |
| O material fica encravado na lâmina. | O material cortado fica dobrado. | Consulte Material dobrado em Cortes especiais. |

Proteção do ambiente



Faça uma recolha de lixo selectiva. Os produtos e as baterias assinaladas com este símbolo não devem ser eliminados juntamente com o lixo doméstico normal.

Os produtos e as baterias contêm materiais que podem ser recuperados ou reciclados, reduzindo assim a necessidade de matérias-primas.

Recicle os produtos eléctricos e as baterias de acordo com as disposições locais. Estão disponíveis mais informações em www.2helpU.com

Dados técnicos

| FMCS701 (H1) | | | |
|----------------------------------|------------|----|----------|
| Tensão | V | | 18 |
| Velocidade | /min. | | 3 800 |
| Diâmetro exterior da lâmina | mm | | 190 |
| Diâmetro do furo | mm | | 16 |
| Guia máx. da lâmina | mm | | 1,8 |
| Peso sem bateria | kg | | 10 |
| Espessura da lâmina | mm | | 1,0 |
| Esquadria (posições máx.) | ° | | 47 |
| Bisel (posições máx.) | ° | | 47 |
| Esquadria de 0 graus | horizontal | mm | 50 x 216 |
| | vertical | mm | 90 x 15 |
| Esquadria de 45 graus à direita | horizontal | mm | 50 x 152 |
| | vertical | mm | 90 x 15 |
| Esquadria de 45 graus à esquerda | horizontal | mm | 50 x 152 |
| | vertical | mm | 90 x 15 |
| Bisel de 45 graus à esquerda | horizontal | mm | 50 x 152 |
| | vertical | mm | 50 x 15 |

| Carregador | | 905998** typ. 1 | 906086** typ. 1 |
|-----------------------|-----------------|-----------------|-----------------|
| Tensão de entrada | V _{AC} | 230 | 230 |
| Voltagem de saída | V _{DC} | 18 | 18 |
| Corrente de saída | A | 1 | 2 |
| Tempo de carga aprox. | Minutos | 90 - 240 | 45 - 120 |

| Bateria | | FMC689L | FMC687L | FMC688L |
|------------|-----------------|---------------|---------------|---------------|
| Tensão | V _{DC} | 18 | 18 | 18 |
| Capacidade | Ah | 1,5 | 2,0 | 4,0 |
| Tipo | | lões de lítio | lões de lítio | lões de lítio |

Nível de pressão acústica de acordo com a norma EN 62841:

L_{pa} (pressão acústica) 83,0 dB(A), variabilidade (K) 3 dB(A)

L_{wa} (potência acústica) 94,5 dB(A), variabilidade (K) 3 dB(A)

Declaração de conformidade CE

DIRETIVA "MÁQUINAS"



FMCS701 Serra de esquadria radial

A Stanley Europe declara que os produtos descritos em "dados técnicos" estão em conformidade com as seguintes normas:

EN62841-1:2015, EN62841-3:9:2015+A11:2017

Estes produtos respeitam também a Directiva 2006/42/CE, 2014/30/UE e 2011/65/UE.

Para obter mais informações, contacte a Stanley Fat Max na morada indicada ou consulte o verso do manual.

O signatário é responsável pela compilação do ficheiro técnico e efectua esta declaração em nome da Stanley Fat Max.

Ray Laverick
Director de Engenharia
Stanley Fat Max Europe, 210 Bath Road, Slough,
Berkshire, SL1 3YD Reino Unido
28/06/2018

Garantia

A Stanley Europe confia na qualidade dos seus produtos e oferece aos clientes uma garantia de 12 meses a partir da data de compra. Esta garantia é um complemento dos seus direitos estabelecidos por lei, não os prejudicando de forma alguma. A garantia é válida nos Estados-membros da União Europeia e nos países-membros da Zona Europeia de Comércio Livre.

Para acionar a garantia, esta deve estar em conformidade com os termos e condições da Stanley Fat Max e terá de apresentar o comprovativo de compra ao vendedor ou a um agente de reparação autorizado. Os termos e condições da garantia de 1 ano da Stanley Europe e a localização do agente de reparação autorizado mais próximo pode ser obtido na Internet em www.2helpU.com ou contactando uma filial da Stanley Europe, cuja morada está indicada neste manual.

Visite o nosso Website www.stanley.eu/3 para registar o seu novo produto Stanley Fat Max e receber atualizações sobre novos produtos e ofertas especiais.

Avsedd användning

Den här Stanley Fat Max FMCS701 kap- och geringssågen är endast avsedd för sågning av trä, plast och icke-järnhaltiga metaller. Verktyget är avsett för yrkesanvändare och privatkonsumenter.

Säkerhetsinstruktioner

Allmänna säkerhetsanvisningar för elverktyg



Varning! Läs alla säkerhetsvarningar, instruktioner, illustrationer och specifikationer som levereras med elverktyg. Fel som uppstår till följd av att varningarna och instruktionerna som listas nedan inte följts kan orsaka elstöt, brand och/eller allvarliga kroppsskador.

Spara alla säkerhetsföreskrifter och anvisningar för framtida bruk. Begreppet "Elverktyg" i alla varningar som listas nedan avser nätdrivna elverktyg (med nätsladd) och batteridrivna elverktyg (sladdlösa).

1. Säkerhet på arbetsplatsen

- a. **Se till att arbetsområdet är rent och väl belyst.**
Belamrade och mörka områden inbjuder till olyckor.
- b. **Använd inte elverktyget i explosionsfarlig omgivning, t.ex. i närheten av brännbara vätskor, gaser eller damm.** Elverktyg skapar gnistor som kan antända damm eller ångor.
- c. **Håll barn och åskådare på avstånd vid arbete med elverktyget.** Distractioner kan göra att du förlorar kontrollen.

2. Elsäkerhet

- a. **Elverktygets stickkontakt måste passa i eluttaget. Modifiera aldrig kontakten på något sätt. Använd inga adapterkontakter tillsammans med jordade elverktyg.** Icke modifierade kontakter och passande uttag minskar risken för elektrisk stöt.
- b. **Undvik kroppskontakt med jordade ytor, t.ex. rör, värmelement, spisar och kylskåp.** Det finns en ökad risk för elektrisk stöt om din kropp är jordansluten eller jordad.
- c. **Utsätt inte elverktyget för regn eller våta omgivelningar.** Vatten som kommer in i ett elverktyg ökar risken för elektrisk stöt.
- d. **Misshandla inte nätsladden. Använd aldrig sladden för att bära, dra eller koppla bort elverktyget från uttaget. Håll sladden borta från värme, olja, skarpa kanter eller rörliga delar.** Skadade eller tilltrasslade sladdar ökar risken för elektrisk stöt.
- e. **Använd en förlängningssladd som lämpar sig för utomhusbruk när du arbetar med elverktyg utomhus.**

Användning av en sladd som är lämplig för utomhusbruk minskar risken för elektriska stötar.

- f. **Om du måste använda ett elverktyg på en fuktig plats, bör du använda en strömförsörjning med jordfelsbrytare.** Användning av en jordfelsbrytare minskar risken för elektrisk stöt.

3. Personlig säkerhet

- a. **Var uppmärksam, se på vad du gör och använd sunt omdöme när du använder elverktyget. Använd inte ett elverktyg när du är trött eller påverkad av droger, alkohol eller mediciner.** Ett ögonblicks uppmärksamhet när du arbetar med elektriska verktyg kan leda till allvarliga personskador.
- b. **Använd personlig skyddsutrustning. Använd alltid skyddsglasögon.** Skyddsutrustning såsom dammfilterskydd, halssäkra säkerhetsskor, skyddshjälm eller hörselskydd som används för lämpliga förhållanden minskar personskador.
- c. **Förhindra oavsiktlig start. Kontrollera att strömbrytaren står i avstängt läge innan du ansluter verktyget till elnätet eller sätter i batteriet, samt innan du tar upp eller bär verktyget.** Att bära elektriska verktyg med fingret på strömbrytaren eller att koppla strömmen till elektriska verktyg när strömbrytaren är på leder till olyckor.
- d. **Ta bort alla inställningsverktyg och skruvnycklar innan du startar elverktyget.** Ett verktyg eller en nyckel som har lämnats kvar på en roterande del av det elektriska verktyget kan orsaka kroppsskador.
- e. **Sträck dig inte för mycket. Ha ordentligt fotfäste och balans hela tiden.** Detta möjliggör bättre kontroll av elverktyget i oväntade situationer.
- f. **Bär lämpliga kläder. Bär inte lösa kläder eller smycken. Håll hår, beklädnad och handskar borta från delar i rörelse.** Lösa kläder, smycken eller långt hår kan fastna i rörliga delar.
- g. **Om enheten har dammsugnings- och uppsamlingsutrustning, se till att den är ansluten och används på korrekt sätt.** Användning av dammuppsamling kan minska dammrelaterade risker.
- h. **Låt inte förtrogenheten som uppstått genom regelbunden användning av verktyg låta dig bli självsäker och ignorera verktygets säkerhetsprinciper.** En oförsiktig handling kan orsaka allvarliga skador under bråkdelen av en sekund.

4. Användning och skötsel av elverktyg

- a. **Överbelasta inte elverktyget. Använd rätt elverktyg för ditt arbete.** Det korrekta elverktyget gör arbetet bättre och säkrare vid den hastighet för vilket det konstruerades.
- b. **Använd inte elverktyget om det inte kan startas och stängas av med strömbrytaren.** Ett elverktyg som inte

kan kontrolleras med strömbrytaren är farligt och måste repareras.

- c. **Dra stickproppen ur vägguttaget och/eller ta ut batteriet ur elverktyget innan inställningar görs, tillbehör byts ut eller elverktyget ställs undan.** Sådana förebyggande säkerhetsåtgärder minskar risken att oavsiktligt starta elverktyget.
- d. **Förvara elverktyg utom räckhåll för barn och låt inte personer som är ovana vid elverktyget eller som inte läst denna bruksanvisning använda det.** Elverktyg är farliga i händerna på ovana användare.
- e. **Underhålla elverktyg och tillbehör. Kontrollera att rörliga komponenter fungerar felfritt och inte karvar, att komponenter inte gått sönder eller skadats och inget annat föreligger som kan påverka elverktygets funktion. Om det är skadat, se till att elverktyget blir reparerat före användning.** Många olyckor orsakas av dåligt underhållna elektriska verktyg.
- f. **Håll skärande verktyg vassa och rena.** Korrekt underhållna kapverktyg med vassa skär är mindre troliga att de fastnar och är lättare att kontrollera.
- g. **Använd elverktyg, tillbehör, bits m.m. enligt dessa anvisningar, samtidigt som arbetsförhållandena och det arbete som ska utföras beaktas.** Användning av elverktyget för andra uppgifter än vad som avsetts kan resultera i farliga situationer.
- h. **Håll handtagen och greppytorna torra, rena och fria från olja och fett.** Hala handtag och feta ytor förhindrar säker hantering och kontroll av verktyget i oväntade situationer.
5. **Användning och skötsel av batteridrivet verktyg**
- a. **Ladda endast med den laddare som är specificerad av tillverkaren.** En laddare som passar en batterityp kan medföra brandrisk om den används ihop med ett annat batteri.
- b. **Använd endast de batteripaket som är speciellt avsedda för elverktyget.** Användning av andra batteripaket kan leda till personskador eller eldsvåda.
- c. **När batteriet inte används ska du hålla det åtskilt från metallföremål som gem, mynt, nycklar, spik, skruvar och andra små metallföremål som kan orsaka kortslutning mellan batteriets poler.** Kortslutning av batteripolerna kan leda till brännskador eller eldsvåda.
- d. **Under olämpliga förhållanden kan vätska spruta ut från batteriet. Undvik kontakt. Vid oavsiktlig kontakt, spola med vatten. Om vätskan kommer i kontakt med ögonen, sök också läkarhjälp.** Vätska som sprutar ur batteriet kan orsaka sveda och brännskador.
- e. **Använd inte batteripaket eller verktyg som är skadade eller modifierade.** Skadade eller modifierade batterier kan uppträda oväntat och det kan resultera i brand, explosion eller skador.

- f. **Utsätt inte batteripaketet eller verktyg för brand eller höga temperaturer.** Exponering för brand eller temperaturer över 130 °C kan orsaka en explosion.
- g. **Följ laddningsinstruktionerna och ladda inte batteripaketet eller verktyget utanför det temperaturområde som specificeras i instruktionerna.** Felaktig laddning eller vid temperaturer utanför den specificerade området kan skada batteriet och öka risken för brand.
6. **Service**
- a. **Låt en kvalificerad reparatör som bara använder identiska reservdelar utföra service på elverktyget.** Detta säkerställer att elverktygets säkerhet bibehålles.
- b. **Gör aldrig service på skadade batteripaket.** Service på batteripaket skall endast utföras av tillverkaren eller auktoriserad servicepersonal.

Säkerhetsinstruktioner för geringssågar

- ◆ **Geringssågar är avsedda att såga trä och träliknande produkter, den kan inte användas med slipande maskivor för sågning av metallhaltiga material såsom stänger, stag, stolpar etc.** Slipdamm gör att rörliga delar, såsom det nedre skyddet, fastnar. Gnistor från slipande kapningar kommer att bränna det nedre skyddet, späninsatsen och andra platsdelar.
- ◆ **Använd tvingar för att stödja arbetsstycket när så är möjligt.** Om arbetsstycket stöds för hand måste du hålla din hand minst 100 mm från sidorna på sågklingan. Använd inte denna såg för att såga delar som är alltför små för att säkert klämmas fast eller hållas för hand. Om handen placerar alltför nära sågklingan finns risk för skador från kontakt med klingan.
- ◆ **Arbetsstycket måste vara stationärt eller klämmas fast eller hållas mot både anslaget och bordet.** Mata inte in arbetsstycket mot klingan eller såga på "fri hand" på något sätt. Okontrollerade eller rörliga arbetsstycken kan kastas iväg i hög hastighet och orsaka skador.
- ◆ **Skjut sågen genom arbetsstycket. Dra inte sågen genom arbetsstycket.** För att göra en kapning, lyft upp såghuvudet och dra ut det över arbetsstycket utan att såga, starta motorn, tryck ned såghuvudet och skjut sågen genom arbetsstycket. Sågning vid dragningen kommer troligtvis att göra att klingan klättra ovanpå arbetsstycket och på ett våldsamt sätt kasta klingmontaget mot operatören.
- ◆ **Korsa aldrig din hand över den avsedda såglinjen, varken framför eller bakom sågklingan.** Stödjande av arbetsstycken med "korsade händer" d.v.s. hålla fast arbetsstycket till höger om sågklingan med vänstra handen eller vice versa är mycket farligt.
- ◆ **Sträck dig inte bakom anslaget med någon hand närmare än 100 mm från någon sid av sågklingan för att ta bort träskräp eller av någon annan anledning medan klingan snurrar.** Närheten av handen till sågklingan är inte alltid uppenbart och du kan skadas allvarigt.
- ◆ **Inspektera arbetsstycket innan sågningen.** Om arbetsstycket är böjt eller skevt, kläm fast det med den böjda sidan riktad mot anslaget. Se alltid till att det inte finns något gap mellan arbetsstycket, anslaget och bordet längs med såglinjen. Böjda eller skeva arbetsstycket kan vrida sig eller skifta läge och orsaka klämning på den snurrande sågklingan under sågningen. Det får inte finnas några spikar eller främmande föremål i arbetsstycket.
- ◆ **Använd inte sågen innan bordet rensats från alla verktyg, träskräp etc. förutom arbetsstycket.** Smått skräp eller lösa trädelar eller andra föremål som kommer i kontakt med den snurrande klingan kan kastas iväg i hög hastighet.
- ◆ **Såga endast ett arbetsstycke i taget.** Slappade flera arbetsstycken kan inte korrekt klämmas fast eller byglas och kan göra att klingan kärvar eller förflyttas under sågningen.
- ◆ **Se till att geringssågen är monterad eller placerad på en plan och fast arbetsyta innan användning.** En plan och fast arbetsyta minskar risken för att geringssågen blir ostadig.
- ◆ **Planera ditt arbete. Varje gång som du ändrar inställningen för lutningen eller geringsvinkeln se till att det justerbara anslaget ställs in korrekt för att stödja arbetsstycket och inte kommer att störa klingan eller skyddssystemet.** Utan att slå på verktyget och utan arbetsstycket på bordet, flytta sågklingan genom en komplett simulerad sågning för att garantera att det inte finns några hinder eller risker för att såga i anslaget.
- ◆ **Tillhandahåll adekvat stöd såsom bordsförlängning, sågbockar etc. för ett arbetsstycke som är bredare eller längre än bordsskivan.** Arbetsstycken som är längre eller bredare än geringssågbordet kan tippa om de inte stöds säkert. Om den avsågade delen eller arbetsstycket tippar kan det lyfta det nedre skyddet eller kastas iväg av den snurrande klingan.
- ◆ **Använd inte en annan person som ett substitut för bordsförlängning eller so ytterligare stöd.** Instabilt stöd för arbetsstycket kan göra att klingan kläms fast eller att arbetsstycket förflyttas under sågningen och dra in dig eller din hjälpreda in i den snurrande klingan.
- ◆ **Den avsågade delen får inte klämmas fast eller pressas på något sätt med något hjälpmedel mot den snurrande klingan.** Vid begränsad längd, d.v.s. användning av längdstopp kan den avsågade delen kilas fast mot klingan och kastas iväg våldsamt.
- ◆ **Använd alltid en klämma eller tving som är designad att korrekt stödja material såsom stänger eller rörledning.** Stänger har en tendens att rulla medan de

sågas och gör att klingan biter fast och drar arbetet med dina händer in i klingan.

- ◆ **Låt klingan nå dess fulla hastighet innan kontakt med arbetsstycket sker.** Detta kommer att minska risken för att arbetsstycket kastas iväg.
- ◆ **Om arbetsstycket eller klingan kläms fast, stäng av geringssågen.** Vänta till alla rörliga delar stannat och koppla ifrån kontakten från strömkällan och/eller ta bort batteripaketet. **Arbeta sedan på att ta bort det fastklämda materialet.** Att fortsätta att såga med ett fastklämt arbetsstycket kan göra att kontrollen förloras eller att geringssågen skadas.
- ◆ **Efter att sågningen avslutats, håll ned såghuvudet och vänta på att klinga skall stoppa innan du tar bort den avsågade delen.** Att sträcka ut handen nära den roterande klingan är farligt.

Ytterligare säkerhetsinstruktioner för geringssågar

- ◆ Avsedd användning beskrivs i denna bruksanvisning. Om andra tillbehör eller tillsatser används, eller om någon annan åtgärd än de som rekommenderas i den här bruksanvisningen utförs med verktyget kan personer och/eller egendom ta skada.
- ◆ Använd inte spruckna, böjda, skadade eller deformerade klingor.
- ◆ Byt sågplattan när den är sliten.
- ◆ Använd inte klingor med större eller mindre diameter än rekommenderat. För korrekt klingklassificering se tekniska data. Använd endast klingor som specificeras i denna manual som uppfyller EN 847-1.
- ◆ Använd inte sågklingor som är tillverkade av snabbstål (HSS).



Varning! Sågning ger upphov till damm som kan skada den som använder verktyget och andra i närheten vid kontakt eller inandning. Använd en specialkonstruerad ansiktsmask som skyddar mot damm och ångor och se till att personer som vistas inom eller i närheten av arbetsområdet också är skyddade.

- ◆ Arbeta aldrig med material som innehåller asbest. Asbest anses vara cancerframkallande.
- ◆ Bär handskar när du hanterar sågklingor och grova material (sågklingor ska bäras i en hållare när det är möjligt).
- ◆ Använd hörselskydd för att minska risken för hörselskador.
- ◆ Använd om möjligt specialkonstruerade och bullerdämpande klingor.
- ◆ Använd ögonskydd för att minska risken för personskador.
- ◆ Använd den medföljande dammpåsen när du sågar i trä.
- ◆ **Håll elverktyget i de isolerade greppytorna när arbete utförs där sågtillbehöret kan komma i kontakt med dolda elledningar eller dess egen sladd.** Om borret går

igenom en strömförande ledning kan verktygets metalldelar bli strömförande och ge dig en elektrisk stöt

- ◆ Välj korrekt klinga för det material som skall sågas.
- ◆ Använd inte maskinen utan att montera skyddet. Använd inte maskinen om skyddet inte fungerar eller inte rätt underhåll.
- ◆ Se till att armen sitter säkert fast vid geringssågning.
- ◆ Innan varje sågning se till att maskinen är stabil.
- ◆ Håll handtagen torra, rena och fria från olja och fett.
- ◆ Håll området runt maskinen välordnat och fritt från löst material, t.ex. spån och spillbitar.
- ◆ Se till att maskinen och arbetsområdet har tillräcklig allmän- eller direktbelysning.
- ◆ Låt inte oerfarna personer använda den här maskinen.
- ◆ Kontrollera att klingan är korrekt monterad innan användning. Se till att klingan roterar i korrekt riktning. Håll klingan vass. Följ anvisningen för smörjning och byte av tillbehör.
- ◆ Se till att hastigheten som markerats på sågklingan är minst lika med den hastighet som är markerad på sågen.
- ◆ Se till att distansbrickor och spindelringar är lämpliga för det syfte som anges i av Stanley Fat Max.
- ◆ Reparation av vägledningssystemet för såglinjen ska utföras av auktoriserad Stanley Fat Max servicepersonal.
- ◆ Ta bort batteriet från maskinen från elnätet innan något underhåll utförs eller när klingan byts.
- ◆ Utför aldrig rengöring, underhåll eller borttagning av spillbitar eller andra delar av arbetsstycket inom kapområdet när maskinen är igång och såghuvudet inte är i viloläge.
- ◆ När så är möjligt montera alltid maskinen på en bänk.
- ◆ Se till att alla låsrattar och handtag är ordentligt åtdragna innan du börjar arbeta.
- ◆ Använd aldrig sågen utan bordsinlägg.
- ◆ Försök aldrig att snabbt stoppa maskinen när den roterar genom att slå ett verktyg eller liknande mot klingan eftersom det kan leda till allvarliga olyckor.
- ◆ Läs bruksanvisningen innan du använder eller monterar något tillbehör. Felaktig användning av ett tillbehör kan orsaka skador.
- ◆ Hög upp klingan från arbetsstycket innan du släpper upp strömbrytaren.
- ◆ Kila aldrig fast något mot fläkten för att hålla motoraxeln.
- ◆ Klingskyddet på dig såg kommer automatiskt att lyftas när armen förs ned, det kommer att sänkas över klingan när armen höjs. Skyddet kan lyftas för hand vid installation eller borttagning av klingor eller för inspektion av sågen. Hög aldrig klingskyddet manuellt om inte maskinen är avstängd.
- ◆ Kontrollera regelbundet att motorns luftöppningar är rena och fria från spån.
- ◆ Se alltid till att elverktygets varningsskyltar går att läsa.
- ◆ Stå aldrig på elverktyget. Elverktyget kan tippa över eller du kan komma åt sågklingan, vilket kan leda till allvarliga skador.

- ◆ Vidrör aldrig sågklingan innan den har svalnat. Sågklingan blir mycket varm under arbetet.
- ◆ Undvik att bitar kastas iväg genom att ta bort batteriet från sågen så att den inte startas oavsiktligt och ta sedan bort småbitar.
- ◆ Kontrollera att klingskyddet fungerar korrekt innan användning och efter underhåll. Denna kontroll måste göras med sågen avstängd och batteriet borttaget. Armen måste höjas och sänkas för att säkerställa att skyddet täcker klingan och att klingan inte kommer i kontakt med skyddet. Om skyddet inte fungerar på rätt sätt ska det repareras av en utbildad reparatör. Kontakta Stanley Fat Max kundtjänst för att hitta närmaste återförsäljare.
- ◆ **Den här geringssågen har designats endast för sågning av trä, plast och icke-järnhaltiga metaller.** Använd inte sågen för att såga andra material än de som rekommenderas av tillverkaren.
- ◆ Vidrör aldrig sågklingan efter arbete innan den har svalnat. Sågklingan kan bli mycket varm under arbetet.



Varning! Sågning i plast, savtäckat trä eller annat material kan orsaka att smält material ackumuleras på klingspetsarna och själva sågklingan vilket ökar risken för att klingan överhettas och kärvar under sågningen.

Andras säkerhet

- ◆ Denna laddare kan användas av barn från åtta år och personer med nedsatt fysisk eller psykisk förmåga eller bristande erfarenhet eller kunskap, om de får lämplig vägledning och är medvetna om riskerna.
- ◆ Barn ska inte leka med apparaten. Rengöring och användarunderhåll ska inte utföras av barn utan övervakning.

Återstående risker

Följande risker följer med användning av sågar:

Även om alla relevanta säkerhetsanvisningar följs och säkerhetsanordningar används kan vissa ytterligare risker inte undvikas. Dessa omfattar:

- ◆ Skador orsakade av att roterande/rörliga delar vidrörs.
- ◆ Hörselnedsättning.
- ◆ Olycksrisker som orsakas av den roterande klingans oskyddade delar.
- ◆ Risk för skador som uppstår vid byte av delar, klingor eller tillbehör.
- ◆ Risk att fingrar kläms när skydden öppnas.
- ◆ Hälssofaror orsakade av inandning av damm som uppkommer vid sågning av trä, särskilt ek, bok och MDF.
- ◆ Skador som orsakas av långvarig användning av ett verktyg. Se till att regelbundet ta vilopausar när du använder ett verktyg under en längre period.

Buller

De uppgivna bullervärdena har uppmätts i enlighet med en standardtestmetod och kan användas för jämförelser med andra verktyg.

De angivna bullervärdena kan även användas för en preliminär bedömning av exponeringen.

Varning! Bullervärdena under faktisk användning av elverktyget kan skilja sig från de uppgivna värdena beroende på hur verktyget används, särskilt vilka typer av arbetsstycken som behandlas.

Varning! Använd alltid personliga hörselskydd. Under vissa omständigheter och vid användning kan buller från denna produkt bidra till hörselskador. Var uppmärksam på följande faktorer som påverkar exponeringen för buller:

- ◆ Använd sågklingor som konstruerats för att minska bullernivån,
- ◆ Använd endast väl slipade sågklingor och
- ◆ Använd särskilt designade bullerreducerande sågklingor.

Etiketter på verktyget

Följande symboler tillsammans med datumkoden är synliga på verktyget:



Varning! Läs bruksanvisningen före användning för att minska risken för personskador.



Använd säkerhetsglasögon eller skyddsglasögon.



Bär hörselskydd.



Använd en skyddsmask.



Denna produkt får inte användas av barn under 16 år.



Håll alltid händerna undan från bladet.



Handsfri zon - Håll fingrar och armar borta från roterande sågklingor.



Bär handskar när du hanterar sågklingor.



Stirra inte in i arbetslampan.

Ytterligare säkerhetsinstruktioner för batterier och laddare

Varning! Apparaten får bara användas med den strömklädda som levereras med apparaten.

Notera: Verktygets temperaturområde för arbete rekommenderas vid 4 °C till 40 °C.

Batterier

- ◆ Försök aldrig öppna batteriet.
- ◆ Utsätt inte batteriet för vatten.
- ◆ Förvara inte apparaten på platser där temperaturen kan bli högre än 40 °C.
- ◆ Ladda endast vid temperaturer mellan 10 °C och 40 °C.
- ◆ Ladda endast med hjälp av laddaren som medföljer verktyget.
- ◆ Följ instruktionerna som anges i avsnittet "Skydda miljön" när du kastar batterierna.



Försök inte ladda skadade batterier.

Laddare

- ◆ Laddaren från Stanley Fat max får bara användas för att ladda batteriet i det verktyg som laddaren levererades med. Andra batterier kan spricka och orsaka personskador och andra skador.
- ◆ Försök aldrig ladda batterier som inte är uppladdningsbara.
- ◆ Byt defekta sladdar omgående.
- ◆ Utsätt inte laddaren för vatten.
- ◆ Öppna inte laddaren.
- ◆ Gör ingen överkan på laddaren.



Laddaren är endast avsedd för inomhusbruk.



Läs bruksanvisningen före användning.

Elsäkerhet



Eftersom laddaren är dubbelisolerad behövs ingen jordledare. Kontrollera alltid att nätspänningen överensstämmer med spänningen på typskylten. Försök aldrig byta ut laddaren mot en vanlig nätkontakt.

- ◆ Om nätsladden är skadad måste den bytas ut av tillverkaren eller en auktoriserad Stanley Fat Max servicecenter för att farliga situationer ska undvikas.

Funktioner

Detta verktyg har några eller samtliga av följande funktioner.

1. Strömbrytare
2. Drifhandtag
3. Monteringshåll
4. Nedre skydd
5. Låsraff för gering
6. Geringslåsknapp
7. Geringssskiva
8. Geringssskala
9. Visare geringsskala
10. Bärhandtag

11. Anslag
12. Fasningslåsratt
13. Skenor
- 13a. Kardborreband
14. Dammsugaröppning
15. Batteripaket
16. Omkopplare arbetsbelysning
17. Låsspak
18. Skenlåsckruv
19. Klämmonteringshål
20. Låspinne

Montering (bild A)

Din geringssåg är delvis monterad i kartongen.

- ◆ Öppna kartongen och lyft ut geringssågen med bärhandtagen (10) i basen på sågen (bild A).
- ◆ Placera sågen på en jämn och plan yta såsom en arbetsbänk eller ett stadigt bord.
- ◆ Utforska monteringsdiagrammet på sidan 2 i denna manual för att bekanta dig med sågen och dess olika delar. Sektionen om inställningar kommer att referera till dessa termer och du måste veta vad och var delarna finns.
- ◆ Låsraffet för gering (5) är inte monterad vid leverans. Ta bort låsraffet för gering (5) från förpackningen och skruva fast den på sågen, se bild G och J för position.
- ◆ Din såg har ett inbyggt dammuttag (14) som möjliggör anslutning av den medföljande men inte monterade dammpåsen (35) eller dammsugarsystem kan anslutas (bild M).

Geringssskiva (bild J)

Geringssskivan (7) är monterad på bordet med sex skruvar. Geringssskivans (7) höjd är inte justerbar.

Notera: Om geringsskivan (7) är sliten, skadad eller behöver bytas skall reparationer utföras av auktoriserade reparatörer eller Stanley Fat Max servicepersonal.

Låspinne (bild F)

Varning! Låspinnen skall ENDAST användas när sågen bärs eller vid förvaring av sågen. Använd ALDRIG låspinnen för något sågjobb.

Notera: För att lyfta, bära och stödja geringssågen under transport använd de två bärhandtagen (10) som är placerad på båda sidorna av geringssågens bas (bild A). För att låsa såghuvudet i nedre läget, skjut ned såghuvudet, tryck in låspinnen (20) och släpp såghuvudet. Detta kommer att på ett säkert sätt hålla ned såghuvudet för transport av sågen mellan olika platser. För att lossa tryck ned såghuvudet och dra ut pinnen.

Varning! Se alltid till att verktyget är avstängt och att batteriet är borttaget innan justeringar görs eller verktygets funktioner kontrolleras.

Ladda ett batteri (bild B)

Stanley FatMax-laddare är utformade för att ladda Stanley FatMax-batteripaket.

- ◆ Anslut laddaren (21) till ett lämpligt uttag innan ett batteripaket (15) sätts i.
- ◆ Sätt i batteripaketet (15) i laddaren, se till att batteripaketet är helt isatt i batteriöppningen (bild B).



Lysdioden (21a) blinkar vilket indikerar att batteriet laddas.



När laddningen är klar indikeras det av ett LED lyser konstant. Batteriet är fulladdat och kan nu användas eller lämnas i laddaren.

- ◆ Ladda urladdade batterier så snart som möjligt efter användning, i annat fall kan batterilivslängden minska betydligt.
- ◆ För längsta batterilivslängd bör du inte ladda ur batteriet helt och hållet. Vi rekommenderar att du laddar batterierna efter varje användning.

Laddardiagnostik (bild C)

Denna laddare är konstruerad för att upptäcka vissa problem som kan uppstå med batteripaketet eller strömkällan. Problem indikeras av en LED-blinkning i olika mönster.

Dåligt batteri

Laddaren kan upptäcka ett svagt eller skadat batteri. LED blinkar i mönstret som anges på etiketten. Om du ser detta blinkmönster för dåligt batteri, fortsätt då inte att ladda batteriet. Returnera det till ett servicecenter eller lämna det till batteriinsamlingen.

Varm/kall paketfördröjning

När laddaren upptäcker ett batteri som är överdrivet hett eller överdrivet kallt, kommer den automatiskt att starta en varm/kall paketfördröjning och avbryta laddningen tills batteriet har nått en lämplig temperatur. När detta sker växlar laddaren automatiskt till paketladdningsläget. Denna funktion garanterar maximal batterilivslängd. Lampan blinkar i mönstret som anges på etiketten.

Lämna batteriet i laddaren

Laddaren och batteripaketet kan vara anslutna hur länge som helst när LED lyser. Laddaren kommer att hålla batteripaketet fräscht och fulladdat. Denna laddaren har ett automatiskt finjusteringsläge som jämnar ut eller balanserar de enskilda cellerna i batteripaketet för att det skall fungera med toppkapacitet. Batteripaketet skall finjusteras varje vecka eller närhelst batteriet inte längre levererar samma arbetsmängd. För att använda de automatiska finjusteringsläget, placera batteripaketet i laddaren och lämna det där i minst åtta timmar.

Viktiga anmärkningar gällande laddning

- ◆ Längsta livslängd och bästa prestanda kan erhållas om batteripaketet laddas när lufttemperaturen är mellan 18 °C – 24 °C. Ladda INTE batteripaketet i en lufttemperatur under 4,5 °C eller över +40 °C. Detta är viktigt och kommer att förhindra allvarliga skador på batteripaketet.
- ◆ Laddaren och batteripaketet kan bli för varma att vidröra under laddningen. Detta är normalt och indikerar inte något problem.
- ◆ För att möjliggöra kylning av batteripaketet, undvik att placera laddaren eller batteripaketet på en varm plats såsom i ett metallskjul eller i en isolerad vagn.
- ◆ Om batteripaketet inte laddas korrekt:
 - ◆ Kontrollera eluttaget genom att ansluta en lampa eller någon annan apparat;
 - ◆ Kontrollera om uttaget är ansluten till en brytare som stänger av strömmen när du släcker ljuset;
 - ◆ Flytta laddaren och batteripaketet till en plats där den omgivande temperaturen är ungefär 18 °C – 24 °C;
 - ◆ Om laddningsproblemen kvarstår, lämna verktyget, batteripaketet och laddaren till ditt lokala servicecenter.
- ◆ Batteripaketet bör laddas när den inte längre kan producera tillräckligt med energi för jobb som enkelt gjordes tidigare. FORTSÄTT INTE att använda det under dessa förhållanden. Följ laddningsproceduren. Du kan också ladda ett delvis använt paket när du så önskar utan att det har någon negativ effekt på batteripaketet.
- ◆ Främmande föremål som är ledande, såsom men inte begränsat till metalldam, metallspån, stålull, aluminiumfolie eller ansamlingar av metallpartiklar skall hållas undan från laddningsöppningar. Koppla ifrån laddaren vid rengöring.
- ◆ Frys inte eller sänk ned laddaren i vatten eller annan vätska.

Montera och ta bort batteriet (bild D, E)

- ◆ Sätt i batteriet (15) genom att placera det i linje med kontakten på verktyget (22). Skjut in batteriet i facket och tryck tills batteriet snäpper på plats.
- ◆ Ta ur batteriet genom att trycka på batterilåsknappen (15a) samtidigt som du drar ut batteriet från dess plats, såsom visas i bild E.

Byta eller installera en ny sågklinga (bild G, H, I)

Varning! För att minska risken för allvarlig personskada, stäng av verktyget och ta bort batteripaketet innan transport, innan du gör några justeringar eller tar bort/installerar tillsatser eller tillbehör. En oavsiktlig start kan orsaka skador.

Avlägsnande av klingan

- ◆ Ta ur batteripaketet (15) från sägen.
- ◆ Lyft upp armen till det översta läget och lyft upp den nedre skyddet (4) så långt som möjligt.

- ◆ Lossa, men ta inte bort, skyddskonsolens frontskruv (24) tills konsolen (25) kan lyftas tillräckligt för att komma åt klingskruven (26). Nedre skyddet kommer att fortsätta vara upphöjt på grund av positionen på skyddskonsolens skruv.
- ◆ Tryck in spindellåsknappen (28) medan sågklingan (29) försiktigt roteras för hand tills låset aktiveras.
- ◆ Fortsätt att hålla knappen intryckt, använd den andra handen och sexkantssidan på medföljande insexnyckeln för att lossa klingans skruv (26). (Vrid medurs, vänstergängat.)
- ◆ Ta bort klingskruven (26) med sexkantssidan av den medföljande nyckeln, den yttre spännbrickan (30) och klingan (29). Den inre klämbrickan (31) kan lämnas kvar på spindeln (32).

Installera en klinga

- ◆ Ta ur batteripaketet (15) från sågen.
- ◆ Med armen upphöjd, det nedre skyddet (4) håll öppet och skyddskonsolen (25) upphöjd, placera klingan (29) på spindeln (32) om mot den inre klingklämman (31) med tänderna på klingan pekande i rotationsriktningen såsom markeras på sågen.
- ◆ Montera den yttre spännbrickan (30) på spindeln (32).
- ◆ Montera klingskruven (26) och aktivera spindellåset (28), dra åt skruven (26) med den medföljande nyckeln (vrid moturs, vänstergängad).
- ◆ Återfär skyddskonsolen (25) till dess ursprungliga nedre position och dra fast skyddskonsolens skruv (24) som håller konsolen på plats.

Såglinje vägledningssystem

Varning! Titta inte direkt in i arbetsbelysningen. Allvarliga ögonskador kan bli följden.

Notera: Batteriet måste laddas och anslutas till geringssågen.

Såglinjens vägledningssystem kan endast slås På eller stängas av med arbetsbelysningens omkopplare (16).

Sågning efter ett befintligt pennstreck på en träbit, slå såglinjens vägledningssystem med arbetsbelysningens omkopplare (16) (inte med avtryckaren), dra sedan ned drifhandtaget (2) för att föra sågklingan närmare trä.

Skuggan från klingan kommer att visas på arbetsstycket. Denna skugglinje representerar det material som klingan kommer att ta bort när sågningen utförs.

För att korrekt lokalisera din sågning till pennstrecket, rikta pennlinjen mot kanten av klingans skugga. Kom ihåg att du kan behöva ställa in gerings- eller fasvinkeln så att den exakt matchar pennstrecket.

Din såg är utrustad med en batterifelfunktion. Arbetsbelysningen börjar att blinka när batteriet är nära slutet av dess användbara laddning eller när batteriet är för hett. Ladda batteriet innan sågarbetet fortsätter. Se laddningsproceduren

under viktiga säkerhetsinstruktioner för batteripaketet för instruktioner om laddning av batteriet.

Geringsinställning (bild J)

Geringslåsratten (5) och geringslåsknappen (6) låter dig geringssåga till 47° höger och 47° vänster. Geringsshaken kommer automatiskt att låsas vid 0°, 15°, 22,5°, 31,6° och 45° både åt vänster och höger. För gering med sågen, lås upp geringslåsmekanismen genom att vrida på låsratten för gering (5) moturs för att låsa upp och medurs för att låsa. Dra geringslåsknappen (6) uppåt och ställ in geringsvinkeln på geringsskalan (8). Lås geringslåsratten (5) genom att vrida medurs.

Faslåsratt (bild K)

Faslåset låter dig luta sågen 48° åt vänster. För att ställa in faslåsratten (12) moturs för att lossa. För att dra åt vrid faslåsratten medurs.

Försiktighet! Risk för klämning. Se till att dra åt faslåsratten innan justeringen överskrids.

Avtryckare (bild L)

Slå på sågen genom att trycka låsspaken (17) åt vänster, tryck sedan på avtryckaren (1). Sågen körs medan strömbrytaren är intryckt. Låt klingan komma upp i full hastighet innan sågningen görs. Stäng av sågen genom att släppa strömbrytaren. Låt klingan stoppa innan såghuvudet höjs upp. Det finns inget sätt att låsa strömbrytaren i påslaget läge. Ett hål (1a) finns i avtryckaren för att sätta i ett hänglås för att låsa strömbrytaren.

Din såg är inte utrustad med en automatisk elektrisk klingbroms men sågklingan skall stoppa inom fem sekunder efter att avtryckaren släppts. Detta är inte justerbart. Om stopptiden upprepade gånger överstiger fem sekunder, lämna verktyget för service hos ett auktoriserat Stanley FatMax servicecenter. Se alltid till att klingan stoppat innan den ras bort från geringen.

Dammsugning (bild M)

Varning! För att minska risken för allvarlig personskada, stäng av enheten och ta bort batteripaketet innan du gör några justeringar eller tar bort/installerar tillsatsar eller tillbehör. En oavsiktlig start kan orsaka skador.

Din såg har ett inbyggt dammuttag (14) som möjliggör att antingen medföljande dammpåse (35) eller dammsugarsystem ansluts.

Montera dammpåsen

- ◆ Fäst dammpåsen (35) på dammuttaget (14) såsom visas i bild M.
- ◆ Ett dammsugarrör (38 - medföljer inte) kan fästas på dammuttaget (14) hellre är dammpåsen (35). Detta kan göras genom att fästa dammsugarröret (38) på dammsugarpåsens (35) plats, se bild M.

- ◆ Använd karbonbandet (13a) för att hålla dammsugarröret (38) fritt från glidspåren (13) medan sågen används.

Notera: Kardborrebanden (13a) är inte ett bärhandtag och skall inte användas för att flytta eller transportera sågen.

Tömma dammpåsen

- ◆ Ta bort dammpåsen (35) från sågen och skaka den försiktigt eller knacka för att tömma den.
- ◆ Sätt tillbaka dammpåsen på dammuttaget (14).

Du kommer att märka att inte allt damm töms ut ur påsen. Detta kommer inte att påverka sågprestandan men kommer att reducera effektiviteten av dammuppsamlandet. För att återställa sågens effektivitet för dammuppsamlingen, tryck ned fjädern på insidan av dammpåsen när du tömmer den och knacka den mot sidan av skräpkorgen eller dammbehållaren.

Varning! Använd aldrig denna såg såvida inte sågpåsen är på plats. Trädamm kan skapa andningssvårigheter.

Såga med sågen

Om glidfunktionen inte används, se till att såghuvudet är skjutet så långt bak som möjligt och att skenlåsskruven (18) är åtdragen. Detta förhindrar att sågen glider längs dess anslag när arbetsstycket fastnar.

Notera: SÅGA INTE JÄRNMETALL ELLER MURVERK MED DENNA SÅG (IKKE-JÄRNHALTIGA METALLER KAN SÅGAS MED DENNA SÅG. Använd inga slipskivor.

Notera: Se skyddsaktivering och synlighet i justeringssektionen för viktig information om det nedre skyddet innan sågning.

Kapning (bild N)

En kapning görs genom att kapa trä över fibrerna i någon vinkel. En rak kapning görs med geringsarmen i positionen noll grader. Ställ in och lås geringsarmen på noll, håll fast träbiten mot bordet och mot anslaget. Med styrskenlåsskruven (18) åtdragen, slå på sågen genom att trycka på avtryckaren (1). När sågen kommer upp i fart (efter ungefär en sekund) sänk ned armen mjuk och långsamt för att såga genom virket. Låt klingan stanna helt innan armen lyfts upp.

Vid kapning av något större än 2 x 4 (51 x 102), använd en utåtgående- ned- tillbaka rörelse med styrskenlåsskruven (18) lossad. Dra ut sågen, mot dig, sänk ned såghuvudet mot arbetsstycket och skjut sakta sågen tillbaka för att fullfölja sågningen. Låt inte sågklingan komma i kontakt med ovasidan av arbetsstycket när den dras ut. Sågen kan köra mot dig och eventuellt orsaka personskador eller skador på arbetsstycket.

Varning! Använd alltid en materialklämma för att bibehålla kontrollen och minska risken för skador på arbetsstycket och personskador om händerna måste vara närmare än 152 mm från klingan under sågningen.

Notera! Skenlåskskruven (18) måste vara lös för att låta sågen glida långt med skenorna.

Geringskapning görs med geringsarmen i någon annan vinkel än noll.

Denna vinkel är oftast 45° för att såga hörn men kan ställas in från noll till 47° vänster eller 47° höger. Gör såsom beskrivs ovan.

När en geringskapning görs på ett arbetsstycke som är bredare än 2 x 6 (51 x 105) och som är kortare i längd placera alltid den längre sidan mot anslaget (bild N).

Sågning efter ett befintligt pennstreck på ett arbetsstycke, matcha vinkeln så nära som möjligt. Såga trät lite längre och mät från pennstreck till sågkanten för att avgöra i vilken riktning geringsvinkel och sågningen skall göras igen. Detta kräver lite övning men är en vanlig teknik.

Vinklade snitt

En fassågning är en kapning som gjorts med sågklingan lutande i en vinkel mot träet. För att ställa in fassningen, lossa faslåsstratten (12), och flyta åt vänster såsom önskas. När önskad fassvinkel ställts in, dra åt faslåsningen. Fassvinklar kan ställas in från 3° höger till 48° åt vänster.

Sågkvalitet

Smidigheten hos alla sågningar beror på antalet variabler. Såsom materialet som sågas, klingtyp, skärpa hos klingan och såghastighet bidrar alla till kvaliteten för sågningen. När slätaste sågningen önskas för formning och andra precisionssarbeten kommer en vass (60-tandad karbidspets) klinga och en långsammare och jämn sågning ge det bästa resultatet. Se till att materialet inte rör sig eller flyttar sig under sågningen, kläm fast det på plats.

Låt alltid klingan stanna helt innan armen lyfts upp.

Om små fibrer från trä fortfarande sticker ut från arbetsstycket, fäst en bit maskeringstejp på träet där sågningen skall ske.

Såga genom tejp och ta noggrant bort tejp när du är klar. För olika sågarbeten se listan över rekommenderade sågklingor för din såg och välj den som bäst passar dina behov. Se Sågklingor under Valfrä tillbehör.

Korrekt kropps- och handposition (bild O1–O4)

Korrekt placering av kroppen och händerna när geringssågen hanteras gör sågningen enklare, mer korrekt och säkrare. Håll aldrig händerna nära sågningområdet. Placera inte händer närmare än 152 mm från klingan. Håll fast arbetsstycket mot bordet och anslaget under sågningen. Håll händerna i positionerna tills strömbrytaren frigjorts och klingan stannat helt och hållet.

GÖR ALLTID TOMKÖRNINGAR (UTAN STRÖM) INNAN DEN SLUTLIGA SÅGNINGEN SÅ ATT DU KAN KONTROLLERA KLINGANS VÄG. KORSA INTE HÄNDERNA SÅSOM VISAS I BILD O3.

Ha båda fötterna stadigt på golvet och bibehåll en bra balans. När du flyttar geringsarmen åt vänster och höger, följ den och stå något på sidan om sågklingan. Sikta genom hålen i skyddet när du följer ett pennstreck.

Klämma fast arbetsstycket

Varning! För att minska risken för allvarlig personskada, stäng av enheten och ta bort batteripaketet innan du gör några justeringar eller tar bort/installerar tillsatser eller tillbehör. En oavsiktlig start kan orsaka skador.

Varning! Ett arbetsstycke som är fastklämt, balanserat och säkert innan sågningen kan komma i obalans efter att sågningen är klar. En obalanserad belastning kan tippa sågen eller det som sågen är fäst vid, såsom ett bord eller arbetsbänk. När en sågning görs som kan komma i obalans, se till att arbetsstycket har stöd och att sågen är fastskruvad i en stabil yta. Personskador kan uppstå.

Varning! Klämfoten måste förbli fastklämd ovanför basen på sågen när klämman används. Kläm alltid fast arbetsstycket i basen på sågen - inte i någon annan del av arbetsområdet. Se till att klämfoten inte kläms fast på kanten av sågbasen.

Varning! Använd alltid en materialklämma för att bibehåll kontrollen och minska risken för skador på arbetsstycket och personsador om händerna måste vara närmare än 152 mm från klingan under sågningen. Om du inte kan säkra arbetsstycket på bordet och mot anslaget för hand (oregelbunden form etc.) eller om handen kommer närmare klingan än 152 mm skall en klämma eller annan fästordning användas. Använd materialklämma som medföljde sågen. För att köpa en materialklämma kontakta din lokala återförsäljare eller Stanley FatMax servicecenter. Andra hjälpmedel såsom fjäderklämmor, stavklämmor, C-klämmor kan vara lämpliga för vissa storlekar och former på material. Var noga vid val och placering av dessa klämmor. Ta dig tid att göra en tomkörning innan sågningen görs.

Installera klämman (bild P)

- ◆ Sätt i klämman (37) i hålet (19) bakom anslaget. Klämman skall riktas mot baksidan av geringssågen. Skåran på klämmans stång skall införas helt i basen. Se till att skåran är helt isatt i basen hos geringssågen. Om skåran är synlig är klämman inte fastsatt.
- ◆ Roter klämman 180° mot fronten på geringssågen.
- ◆ Lossa ratten för att justera klämman uppåt eller nedåt, använd sedan finjusteringsratten för att klämma fast arbetsstycket.

Notera: Placera klämman på motsatt sida av basen vid fasnig. GÖR ALLTID TOMKÖRNINGAR (UTAN STRÖM) INNAN DEN SLUTLIGA SÅGNINGEN SÅ ATT DU KAN KONTROL-

LERA KLINGANS VÄG. SE TILL ATT KLÄMMAN INTE ÄR I VÄGEN FÖR SÅGEN ELLER SKYDDEN.

Inställningar

Din geringssåg är fullständigt och korrekt inställd på fabrik vid tillverkningen. Om omjustering krävs på grund av transport och hantering eller av någon annan anledning, följ instruktionerna nedan för att ställa in din såg.

När det är gjort bör dessa inställningar förbli korrekta. Ta dig tid att följa dessa direktiv noga för att bibehålla noggrannheten för vad din såg är kapabel till.

Geringskalinställning (bild S1)

Läs armen i nedre positionen. Läs upp geringslåsningen (5) och sväng geringsarmen tills geringslåsningen (6) läser i geringspositionen 0°. Läs inte geringslåsningen. Placera en vinkelhake mot sågens anslag och klingan såsom visas. (Vidrör inte spetsen på klingans tänder med vinkelhaken. Om så görs kommer det att ge felaktigt mätvärde.)

Om sågklingan inte är exakt i vinkel mot anslaget, lossa och flytta materialanslaget tills klingan är vinkelrät mot anslaget såsom uppmätts med vinkelhaken. Bry dig inte om avläsningsgen av geringspekaren vid denna tidpunkt.

Fasvinkelinställning mot bord (bild S2)

För att rikta i klingans vinkel mot bordet, läs armen i nedre läger med låspinne (20). Placera en vinkelhake mot klingan, se till att vinkelhaken inte befinner sig ovanpå en tand. Lossa faslåsningen (5) och se till att armen är fast mot 0° fasstoppet. Vrid på 0° fasinställningsskruven med 12,7 mm med hylsan (medföljer inte) om så behövs så att klingan befinner sig vid 0° vinkel mot bordet, uppmätt med vinkelhaken.

Skyddsaktivering och synlighet (bild V)

Varning! Risk för klämning. För att minska risken för skador, håll tummen under drifhandtaget när handtaget dras ned. Det nedre skyddet kommer att flyttas upp då drifhandtaget dras ned, vilket kan orsaka klämning.

Det nedre skyddet (4) på din såg har konstruerats att automatiskt avtäcka klingan när armen sänks ned och att täcka klingan när armen lyfts upp.

Innan varje användning eller efter att justeringar gjorts, kör med armen (utan ström) och se till att skyddet öppnas smidigt och stängs helt. Det skall inte komma i kontakt med klingan. Med armen uppåt, lyft skyddet (utan ström) såsom visas i bild V och släpp. Skyddet skall stängas helt snabbt.

Använd inte sågen om skyddet inte är fritt rörligt och inte stängs omedelbart. Kläm aldrig fast eller bind skyddet i öppen position när sågen används. Skyddet kan lyftas för hand vid installation eller borttagning av klingor eller för inspektion av sågen.

LYFT ALDRIG DET UNDRE SKYDDET MANUELLT SÅVIDA INTE KLINGAN STOPPATS.

Notera: Visa specialsågningar av stora material kan kräva att du manuellt lyfter upp skyddet. Se sågning av stora material under specialsågningar.

Frontsektionen av skyddet är gallerförsatt för synlighet under sågningen. Även om gallren dramatiskt minskar flygande skräp är de öppningar i skyddet och skyddsglasögon skall användas hela tiden.

Skenstyrning

Kontrollera regelbundet skenorna (13) för frigång och avstånd. Skenorna kan rengöras med en torr och ren trasa.

Såga bildramar, titlådor och andra fyrsidiga projekt (bild R1, R2)

För att bäst förstå hur dessa poster görs som listas här förslår vi att du provar några enkla projekt med några skräpbitar tills du utvecklat en "känsla" för din såg.

Din såg är ett perfekt verktyg för geringssågning av hörn såsom den som visas i bild R1. Skissen i bild R2 visar en sammanfogning med fasinställning för fasning av kanter för de två brädorna på 45° var för att skapa 90° hörn. För denna sammanfogning är geringssarmen låst i nollläget och fasinställningen är låst vid 45°. Brädan placeras med den breda platta sidan mot bordet och den smala kanten mot anslaget. Sågningen kan göras med gering höger och vänster med den breda ytan mot anslaget.

Såga trimformning och andra ramar (bild R2)

Skiss B i bild R2 visar en sammanfogning som gjorts med geringssarmen i 45° för geringssågning av de två skivorna för att forma ett 90° hörn. För att göra denna typ av sammanfogning ställ in fasinställningen på noll och geringssarmen på 45°. Igen, placera brädan med den breda platta sidan mot bordet och den smala kanten mot anslaget.

Bilderna R1 och R2 är för endast till för fyrsidiga föremål. När antalet sidor ändras ändras också fasvinkeln. Tabellen nedan ger de korrekta vinklarna för en mängd olika former.

Exempel

| Antal sidor | Gering eller fasvinkel |
|-------------|------------------------|
| 4 | 45° |
| 5 | 36° |
| 6 | 30° |
| 7 | 25,7° |
| 8 | 22,5° |
| 9 | 20° |
| 10 | 18° |

Tabellen förutsätter att alla sidor är lika långa. För en form som inte visas i tabellen använd följande formel: 180° delat med antal sidor är lika med geringen (om materialet som sågas är vertikalt) eller fasvinkel (om materialet ligger plant).

Såga sammansatta geringar (bild R3)

En blandad gering är en sågning som görs med en geringsvinkel och en fasvinkel samtidigt. Denna typ av sågning används för att göra ramar eller lådor med lutande sidor såsom den som visas i bild R3.

Notera: Om sågvinkeln varierar mellan sågningarna kontrollera att faslåsrammen och geringslåshandtaget är låsta. Dessa måste låsas efter att ändringar gjorts i fasvinkeln eller geringen. Tabellen i slutet av denna manual (tabell 1) hjälper dig att välja korrekt inställning för fasning och gering för vanliga sammansatta geringssågningar. För att använda tabellen, välj önskad vinkel A (bild R3) för ditt projekt och leta reda på den vinkeln i lämplig bäge i tabellen. Från den punkten följ tabellen rakt ned för att hitta korrekt fasvinkel och rakt över hitta korrekt geringsvinkel.

Ställ in sågen enligt de beskrivna vinklarna och gör några provsågningar. Öva på att sätta samman de sågade delarna till du utvecklat en känsla för denna procedur och känner dig bekväm med den.

Exempel: För att göra en 4-sidig låda med 26° yttre vinklar (vinkel A, bild R3), använd den övre högra bägen. Leta reda på 26° på bägskalan. Följ den horisontella skärningslinjen på någon sida för att få inställningen av geringsvinkeln på sågen (42°). På samma sätt följ den vertikala korsande linjen upp eller ned för att få inställningen för fasvinkeln för sågen (18°). Testa alltid sågningarna på några skräpbitar av trä för att verifiera inställningarna på sågen.

Såga basformer (bild S)

Rak 90° kapning:

Placera träet mot anslaget och håll det på plats såsom visas i bild S. Slå på sågen, låt klingan nå full hastighet och sänk ned armen försiktigt genom sågningen.

Såga basformer upp till 90 mm högt vertikalt mot anslaget

Placera materialet såsom visas i bild S. Alla sågningar bör göras med baksidan av formen mot anslaget och med undersidan på formen mot bordet.

| | Inside hörn | Utsida hörn |
|--------------|---|---|
| Vänster sida | Gering vänster 45° Spara vänster sida om snittet | Gering höger 45° Spara vänster sida om snittet |
| Höger sida | Gering höger 45° Spara höger sida om snittet | Gering vänster 45° Spara höger sida om snittet |

Material upp till 90 mm kan sågas såsom beskrivs ovan.

Såga toppformning

För att passa korrekt måste toppformning vara sammansatt gering med extrem korrekthet.

De två plana ytorna för en given del på toppformningen har en vinkel som när de läggs samman är lika med exakt 90°. Men det är inte alla, toppformning har en bakre toppvinkel (se sektion som passar platt mot taket) på 52° och den nedre bakre vinkeln (den del som passar platt mot väggen) på 38°.

Din geringssåg har en speciell förinställd geringspärrpunkt på 31,6° vänster och höger för sågning av toppformning i korrekt vinkel. Det finns också en märkning på fasskalan vid 33,8°.

Tabellen nedan för fasinställning/typ av sågning ger de korrekta inställningarna för sågning av toppformning. (Siffrorna för geringen och fasningen är mycket precisa och är inte lätt att noggrant ställa in på sågen.) Eftersom de flesta rum inte har vinklar på exakt 90° kommer du att behöva fininställa dina inställningar i alla fall.

Instruktioner för sågning av toppformning lig-gande plant och användning av den sammansatta funktionerna

- ◆ Lägg ned formen med den breda baksidan plant på bordet (36) (bild T1).
- ◆ Inställningarna nedan är för all standard toppformning med 52° och 38° vinklar.

| Fasinställning | Typ av sågning |
|----------------|--|
| 33,8° | VÄNSTER SIDA, INSIDA HÖRN: 1. Toppen på formen mot anslaget 2. Geringstabell inställning höger 31,62° 3. Spara vänstra änden av snittet |
| 33,8° | HÖGER SIDA, INSIDA HÖRN: 1. Undersidan av formen mot anslaget 2. Geringstabell inställning vänster 31,62° 3. Spara vänstra änden av snittet |
| 33,8° | VÄNSTER SIDA, UTSIDA HÖRN: 1. Undersidan av formen mot anslaget 2. Geringstabell inställning vänster 31,62° 3. Spara högra änden av snittet |
| 33,8° | HÖGER SIDA, UTSIDA HÖRN: 1. Toppen på formen mot anslaget 2. Geringstabell inställning höger 31,62° 3. Spara högra änden av snittet |

Notera: Vid inställning av fas- och geringsvinklarna för alla sammansatta geringar, kom ihåg att vinklarna som presenteras för toppformning är mycket precisa och svåra att ställa in exakt. Eftersom det lätt kan skifta något och mycket få rum har exakta rätvinkliga hörn skall alla inställningar testas på skräpformer.

Alternativ metod för sågning av toppform

Placera formen i en vinkel mellan anslaget (11) och sågbordet (36), med ovansidan av formen på bordet och undersidan av formen mot anslaget såsom visas i bild T1.

Fördelen med att såga toppformer med denna metod är att ingen fassågning krävs. Små ändringar i geringsvinkeln kan göras utan att det påverkar fasvinkeln. På detta sätt kan, när

andra hörn än 90° påträffas kan sågen snabbt och lätt ställas in för dessa.

Instruktioner för sågning av toppformer vinklad mellan anslaget och sågens bas för alla sågningar

Denna såg kan såga upp till 14 mm x 92 mm kapslade toppformer.

- ◆ Vinkla formen så att botten på formen (delen som går mot väggen vid installation) är mot anslaget (11) och överdelen av formen vilar mot sågbordet (36) såsom visas i bild T2.
- ◆ Den vinklade "platta delen" av formen måste vila vinkelrät mot anslaget och sågbordet.(36).

| | Insida hörn | Utsida hörn |
|--------------|---|---|
| Vänster sida | Gering höger 45° Spara höger sida om snittet | Gering vänster 45° Spara höger sida om snittet |
| Höger sida | Gering vänster 45° Spara vänster sida om snittet | Gering höger 45° Spara vänster sida om snittet |

Specialsågningar

Gör aldrig några sågningar såvida inte materialet sitter fast på bordet och mot anslaget.

Böjda material (bild U1, U2)

Vid sågning av böjda material placera dessa alltid såsom visas i bild U1 och aldrig såsom visas i bild U2. Felaktig placering av materialet kan göra att det nyper fast klingan när sågningen är nästan klar.

Sågning av runt material

Runda material skall klämmas fast eller hållas fast mot anslaget för att förhindra att det rullar. Detta är extremt viktigt vid vinkelsågningar.

Såga stora material (bild V)

Emellanåt kommer du att stöta på trädelar som är för stora att passa mellan de nedre skydden. För att skyddet skall gå fritt över trä, med sågen avstängd och din högra hand på drift-handtaget, placera din högra tumme på utsidan av övre delen av skyddet och rulla upp skyddet precis tillräckligt som att det grå fritt från trä, såsom visas i bild V. Släpp skyddet innan motorn startas. Skyddsmekanismen kommer att fungera korrekt under sågningen. Gör endast detta när det är nödvändigt. **BIND ALDRIG ELLER PÅ ANNAT SÄTT HÅLLA SKYDDET ÖPPET NÄR SÅGEN ANVÄNDS.**

Underhåll

Varning! För att minska risken för allvarlig personskada, stäng av verktyget och ta bort batteripaketet innan transport, innan du gör några justeringar eller tar bort/installerar tillsatser eller tillbehör. En oavsiktlig start kan orsaka skador.

Varning! För att minska risken för personskador, vidrör INTE de vassa delarna av klingan med fingrarna eller händerna när underhåll görs.

Använd INTE smörjmedel eller rengöringsmedel (särskilt spray eller aerosol) i närheten av plastskydden. Karbonplasten som används i skydden påverkas av vissa kemikalier.

- ◆ Alla lager är förseglade. De är smorda för dess livslängd och behöver inget ytterligare underhåll.
- ◆ Rengör regelbundet allt damm och träflis från och runt OCH UNDER basen och det roterande bordet. Även om öppningarna tillhandahålls för att låta skräp passera kan visst skräp ackumuleras.
- ◆ Borstarna är designade att ge flera års användning. Om de någonsin behöver bytas, returnera verktyget till närmaste servicecenter för reparation.

Felsökning

| Problem | Möjlig orsak | Lösning |
|--|--|---|
| Sågen startar inte. | Batteriet är inte installerat. | Installera batteriet. Installation och borttagning av batteripaketet. |
| | Batteriet är inte laddat. | Ladda batteriet. Se Laddningsprocedur. |
| | Borstarna är slitna | Byt borstarna hos ett auktoriserat servicecenter. |
| Sågen gör otillfredsställande sågningar. | Slö klinga. | Byt klingan. Se Byta eller installera en ny sågklinga. |
| | Klingan monterad bakvänt. | Vänd klingan. Se Byta eller installera en ny sågklinga. |
| | Gummi eller beck på klingan. | Ta bort klingan och rengör med grov stålull och terpentiner eller ugnsgrengörare för hushåll. |
| | Felaktig klinga för arbetet som skall utföras. | Byt klingtyp. |
| Arbetsbelysningen blinkar. | Batteriet är inte laddat | Ladda batteriet. Se Laddningsprocedur. |
| Maskinen vibrerar kraftigt. | Sågen är inte säkert monterad på ställningen eller arbetsbänken. | Dra åt alla fästen. Se Bänkmontering |
| | Ställningen eller bänken står på ojämnt golv. | Placera om på en jämn och plan yta. |
| Gör inte korrekta geringssågningar. | Skadade sågklinga. | Byt klingan. Se Byta eller installera en ny sågklinga. |
| | Geringsskalan är inte korrekt inställd. | Kontrollera och justera. Se Justering av geringsskala under Justeringar. |
| | Klingan är inte vinkelrät mot anslaget. | Kontrollera och justera. Se Justering av geringsskala under Justeringar. |
| | Klingan är inte vinkelrät mot bordet. | Kontrollera och justera anslaget. Se att Justering av fäsvinkel mot bord under Justeringar. |
| | Arbetsstycket rör sig | Kläm fast arbetsstycket mot anslaget eller limma fast 120-kornigt sandpapper med gummcement. |
| Materialet klämmer klingan. | Geringsskivan sliten eller skadad. | Lämma den hos ett auktoriserat servicecenter. |
| | Sågning böjt material. | Se Sågningar av böjt material under Specialsågningar. |

Skydda miljön



Separat insamling. Produkter och batterier som är markerade med denna symbol får inte kastas i de vanliga hushållssoporna.

Produkter och batterier innehåller material som kan återanvändas eller återvinnas för att minska behovet av råmaterial. Återvinn elektriska produkter och batterier enligt lokala bestämmelser. Närmare information finns tillgänglig på www.2helpU.com

Tekniska data

| FMCS701 (H1) | | | |
|-------------------------|-------------|-------|----------|
| Spänning | V | 18 | |
| Hastighet | /min | 3 800 | |
| Klingans yttre diameter | mm | 190 | |
| Håldiameter | mm | 16 | |
| Klinga max gering | mm | 1.8 | |
| Vikt utan batteri | kg | 10 | |
| Tjocklek klinga | mm | 1.0 | |
| Gering (maxlägen) | ° | 47 | |
| Fasning (maxlägen) | ° | 47 | |
| 0 grad gering | horisontell | mm | 50 x 216 |
| | vertikal | mm | 90 x 15 |
| 45 grad gering höger | horisontell | mm | 50 x 152 |
| | vertikal | mm | 90 x 15 |
| 45 grad gering vänster | horisontell | mm | 50 x 152 |
| | vertikal | mm | 90 x 15 |
| 45 grad fasning vänster | horisontell | mm | 50 x 152 |
| | vertikal | mm | 50 x 15 |

| Laddare | | 905998** typ. 1 | 906086** typ. 1 |
|--------------------|----------|-----------------|-----------------|
| Inspänning | V_{AC} | 230 | 230 |
| Utspänning | V_{DC} | 18 | 18 |
| Utström | A | 1 | 2 |
| Laddningstid cirka | Min | 90 - 240 | 45 - 120 |

| Batteri | | FMC689L | FMC687L | FMC688L |
|-----------|----------|---------|---------|---------|
| Spänning | V_{DC} | 18 | 18 | 18 |
| Kapacitet | Ah | 1.5 | 2.0 | 4.0 |
| Typ | | Li-jon | Li-jon | Li-jon |

| Ljudtrycksnivå enligt EN 62841: | |
|---------------------------------|-----------------------------------|
| L_{PA} (ljudtryck) | 83.0 dB(A), osäkerhet (K) 3 dB(A) |
| L_{WA} (ljudeffekt) | 94.5 dB(A), osäkerhet (K) 3 dB(A) |

EG-försäkran om överensstämmelse

MASKINDIREKTIVET



FMCS701 Glidande sammansatt geringssåg

Stanley Europe garanterar att produkterna som beskrivs under "tekniska data" oppfyller:
EN62841-1:2015, EN62841-3-9:2015+A11:2017

De här produkterna överensstämmer även med direktiven 2006/42/EG, 2014/30/EU och 2011/65/EU.

För ytterligare information, kontakta Stanley Europe på följande adress eller se slutet av bruksanvisningen.

Undertecknad är ansvarig för sammanställningen av tekniska data och gör denna försäkran på Stanley Fat Max vägnar.

Ray Laverick
Engineering Director
Stanley Fat Max Europe, 210 Bath Road, Slough,
Berkshire, SL1 3YD
Storbritannien
2018-06-28

Garanti

Stanley Europe är övertygad om kvaliteten hos denna produkt och erbjuder kunder 12 månaders garanti från datumet inköpsdatumet. Garantin gäller utöver konsumentens rättigheter enligt lag och påverkar inte dessa. Garantin är giltig i de territorier som tillhör medlemsstaterna i Europeiska unionen och det europeiska frihandelsområdet.

För yrkande under garantin måste yrkandet vara i enlighet med Stanley Fat Maxs villkor och du kommer att behöva skicka in bevis på köpet till försäljaren eller en auktoriserad reparatör. Villkoren för Stanley Europe ettåriga garanti och var du hittar din närmaste auktoriserade reparatör kan erhållas på internet på www.2helpU.com, eller genom att kontakta ditt lokala Stanley Europe kontor på adressen som angetts i denna bruksanvisning.

Besök vår webbsida www.stanely.eu/3 för att registrera din nya Stanley Fat Max-produkt samt för att få information om nya produkter och specialerbjudanden.

Tiltentk bruk

Stanley Fat Max-gjæringssagen FMCS701, med glidende saghode for kombinert saging, er bare beregnet for å sage tre, plast og ikke-jernholdige metaller. Dette verktøyet er tiltentk både fagarbeidere og private brukere.

Sikkerhetsinstruksjoner**Generelle sikkerhetsadvarsler for elektroverktøy**

Advarsel! Les alle sikkerhetsanvisninger, instruksjoner, illustrasjoner og spesifikasjoner som følger dette elektriske verktøyet.

Hvis advarslene og anvisningene nedenfor ikke overholdes, kan det medføre elektrisk støt, brann og/eller alvorlige personskader.

Ta vare på alle advarsler og instruksjoner for fremtidig bruk. Uttrykket "elektroverktøy" i alle advarslene nedenfor gjelder for strømdrevne elektroverktøy (med ledning) og batteridrevne elektroverktøy (uten ledning).

1. Sikkerhet i arbeidsområdet

- Hold arbeidsområdet rent og godt opplyst.** Rotete eller mørke områder er en invitasjon til ulykker.
- Ikke arbeid med elektroverktøy i eksplosjonsfarlige omgivelser, for eksempel der det finnes seg brennbare væsker, gass eller støv.** Elektrisk verktøy skaper gnister som kan antenne støv eller gasser.
- Hold barn og andre personer unna når du bruker et elektroverktøy.** Distraksjoner kan føre til at du mister kontrollen.

2. Elektrisk sikkerhet

- Støpselet til verktøyet må passe til stikkkontakten. Aldri modifier støpselet på noen måte. Ikke bruk adapterstøpsler til jordede elektriske verktøy.** Umodifiserte støpsler og stikkontakter som passer vil redusere risikoen for elektrisk sjokk.
- Unngå kroppskontakt med jordede overflater som rør, radiatorer, komfyrer og kjøleskap.** Det er økt risiko for elektrisk støt dersom kroppen din er jordet.
- Ikke utsett elektroverktøy for regn eller fuktighet.** Dersom det kommer vann inn i et elektrisk verktøy vil det øke risikoen for elektrisk sjokk.
- Unngå uforvarlig behandling av ledningen. Aldri bruk ledningen til å bære, trekke eller dra ut støpselet til det elektriske verktøyet. Hold ledningen borte fra varme, olje, skarpe kanter eller bevegelige deler.** Skadede eller innviklede ledninger øker risikoen for elektrisk sjokk.
- Når du bruker et elektroverktøy utendørs, må du bruke en skjøteledning som er egnet til utendørs bruk.** Bruk av en skjøteledning beregnet for utendørs bruk reduserer risikoen for elektrisk støt.

- f. Hvis du ikke kan unngå å bruke elektroverktøy på et fuktig sted, må du bruke en strømforsyning som er beskyttet med jordfeilbryter (RCD). Bruk av jordfeilbryter (RCD) reduserer risikoen for elektrisk støt.
3. Personikkerhet
- a. Vær oppmerksom, pass på hva du gjør, og vis fornuft når du arbeider med et elektroverktøy. Ikke bruk et elektrisk verktøy dersom du er trøtt eller er påvirket av medikamenter, narkotika eller alkohol. Ett øyeblikks uoppmerksomhet under bruk av elektriske verktøy kan føre til alvorlig personskade.
- b. Bruk personlig verneutstyr. Bruk alltid vernerbriller. Verneutstyr slik som støvmaske, skisikre vernesko, hjelm, eller hørselsvern brukt under passende forhold vil redusere personskader.
- c. Forhindre utilsiktet start. Kontroller at bryteren står i posisjon "av" før du kobler til strømkilden og/eller batteripakken, og før du tar opp eller bærer verktøyet. Å bære elektriske verktøy med fingeren på bryteren eller å sette inn støpselet mens elektriske verktøy har bryteren på øker faren for ulykker.
- d. Fjern eventuelt innstillingsverktøy eller skruverktøy før du slår på elektroverktøyet. Et skruverktøy eller en nøkkel som fortsatt er festet til en roterende del av elektroverktøyet, kan føre til personskade.
- e. Ikke strekk deg for langt. Ha godt fotfeste og stå støtt hele tiden. Dette fører til at du har bedre kontroll over det elektriske verktøyet ved uventede situasjoner.
- f. Bruk egnede klær. Ikke ha på deg løstsittende klær eller smykker. Hold hår, antrekk og hansker borte fra bevegelige deler. Løstsittende klær, smykker og langt hår kan bli fanget opp av bevegelige deler.
- g. Hvis det kan monteres støvavsug- og oppsamlingsinnretninger, må du forvise deg om at disse er tilkoblet og brukes på riktig måte. Bruk av støvoppsamlere kan redusere støvrelaterte farer.
- h. Ikke la erfaring med hyppig bruk av verktøy la deg bli likegyldig og ignorere verktøyet sikkerhetsregler. En uforsiktig handling kan føre til alvorlig personskade på brokdelen av et sekund.
4. Bruk og behandling av elektroverktøy
- a. Ikke bruk makt på elektroverktøyet. Bruk det elektriske verktøyet som situasjonen krever. Det riktige elektriske verktøyet vil gjøre jobben bedre og tryggere ved den hastigheten det ble konstruert for.
- b. Ikke bruk elektroverktøyet hvis du ikke kan slå det på og av med bryteren. Ethvert elektrisk verktøy som ikke kan kontrolleres med bryteren er farlig og må repareres.
- c. Trekk støpselet ut av stikkkontakten og/eller koble fra batteripakken på elektroverktøyet før du utfører innstillinger, bytter tilbehør eller legger elektroverktøyet bort for lagring. Slike preventive sikkerhetsforanstaltninger reduserer risikoen for å starte det elektriske verktøyet ved et uhell.
- d. Elektroverktøy som ikke er i bruk, må oppbevares utilgjengelig for barn. Ikke la verktøyet bli brukt av personer som ikke er fortrolige med det, eller som ikke kjenner disse instruksjonene. Elektriske verktøy er farlige i hendene på utrenede brukere.
- e. Sørg for vedlikehold av elektroverktøy og tilbehør. Undersøk om bevegelige deler er feiljustert eller blokkert, om deler er skadet, og om det er andre forhold som kan påvirke elektroverktøyet funksjon. Dersom det er skadet, få verktøyet reparert før neste bruk. Mange ulykker forårsakes av dårlig vedlikeholdte verktøy.
- f. Hold skjæreverktøy skarpe og rene. Godt vedlikeholdte skjæreverktøy med skarpe skjærekanten setter seg mindre sannsynlig fast og er lettere å kontrollere.
- g. Bruk elektroverktøy, tilbehør, bits osv. i henhold til disse instruksjonene. Ta hensyn til arbeidsforholdene og arbeidet som skal utføres. Bruk av det elektriske verktøyet for oppgaver som er forskjellige fra de som er tiltenkt kan føre til en farlig situasjon.
- h. Hold håndtakene og gripeflatene tørre, rene og frie for olje og fett. Glatte håndtak og gripeflater forhindrer trygg håndtering og kontroll av verktøyet i uventede situasjoner.
5. Bruk og stell av batteriverktøy
- a. Ladningen skal bare skje med den laderen som produsenten har spesifisert. En lader som passer for en type batteripakke kan føre til risiko for brann dersom den brukes på en annen batteripakke.
- b. Bruk elektroverktøy bare sammen med spesifikt angitte batteripakker. Bruk av andre batteripakker kan føre til risiko for personskade og brann.
- c. Når batteripakken ikke er i bruk, må du oppbevare den atskilt fra andre metallgjenstander som binders, mynter, nøkler, spiker, skruer eller andre små metallgjenstander som kan opprette en forbindelse fra en terminal til en annen. Kortslutning av batteripolene mot hverandre kan føre til brannskader eller brann.
- d. Ved feilaktig bruk kan det komme væske ut av batteriet, unngå kontakt med den. Dersom du kommer i kontakt med den, skyll av med vann. Dersom du får væsken i øynene, søk legehjelp. Væske som kommer ut av batteriet kan føre til irritasjon eller brannskader.
- e. Batteripakke eller verktøy som er skadet eller modifisert skal ikke brukes. Batterier som er skadet eller modifisert kan ha uventet oppførsel og føre til brann, eksplosjon eller personskader.
- f. Batteripakken skal ikke utsettes for brann eller for høy temperatur. Eksponering for brann eller temperaturer over 130 °C kan føre til eksplosjon.

- g. Følg alle ladeinstruksjoner og ikke lade batteripakken eller verktøyet utenfor temperaturområdet som angitt i bruksanvisningen. Feil lading eller ved temperaturer utenfor det angitte området kan skade batteriet og øke faren for brann.
6. Service
- a. Elektroverktøyet skal repareres av kvalifisert personell og bare med originale reservedeler. Dette vil sikre at verktøys sikkerhet blir ivaretatt.
- b. Skadede batteripakker skal aldri repareres. Service på batteripakker skal kun utføres av produsenten eller autoriserte serviceverksteder.

Sikkerhetsinstruksjoner for gjæringssager

- ◆ Gjæringssager er tiltenkt for kutting i tre eller trelignende produkter. De kan ikke brukes med kappeskiver for kutting av jerninnholdige materialer slik som stenger, rør, etc. Skurende støv forårsaker at bevegelige deler slik som den nedre beskyttelsen blokkeres. Gnister fra slipekutting vil brenne det nedre vernet, snittinnsatsen og andre plastdeler.
- ◆ Bruk klemmer for å feste arbeidsstykket når det er mulig. Hvis du støtter arbeidsstykket for hånd må du alltid holde hånden minst 100 mm fra hver side av sagbladet. Du skal aldri bruke denne sagen til å kutte biter som er for små til å sikres med klemme eller holdes med hånden. Hvis du holder hånden for nært sagbladet er det fare for personskade fra bladkontakt.
- ◆ Arbeidsstykket må være stasjonært og festet med klemme eller holdt mot både anlegget og bordet. Ikke mat arbeidsstykket inn i bladet eller kutt med frihånd på noen måte. Løse eller bevegende arbeidsstykker kan kastes ved høye hastigheter og forårsake personskader.
- ◆ Dytt saken gjennom arbeidsstykket. Ikke dra sagbladet gjennom arbeidsstykket. For å lage et kutt skal du heve saghodet og dra det ut over arbeidsstykket uten å kutte. Start motoren, trykk saghodet ned og dytt saken gjennom arbeidsstykket. Ved å kutte på dragningslaget vil sannsynligvis forårsake at bladet klater på toppen av arbeidsstykket og kaste bladmodulen voldsomt mot brukeren.
- ◆ Aldri kryss hånden over den tilsiktede kuttelinjen enten foran eller bak sagbladet. Det er veldig farlig å støtte arbeidsstykket krysshendt eller å holde arbeidsstykket til høyre for sagbladet med venstre hånd eller omvendt.
- ◆ Ikke strekk deg over anlegget med noen hånd nærmere enn 100 mm fra noen side av sagbladet for å fjerne trebiter eller for noen annen grunn når bladet roterer. Det spinnende sagbladets nærhet til hånden din er ikke alltid lett å beregne og du kan bli alvorlig skadet.
- ◆ Inspiser arbeidsstykket før kutting. Hvis arbeidsstykket er bøyd eller vridd skal du feste det med

klemmer på utsiden av den bøyde delen mot anlegget. Du skal alltid være sikker på at det ikke er mellomrom mellom arbeidsstykket, anlegget og bordet langsmed kuttelinjen. Bøyde eller vridd arbeidsstykker kan vri seg eller bevege seg og forårsake blokkering av det spinnende sagbladet når du kutter. Det skal ikke være spiker eller fremmede objekter i arbeidsstykket.

- ◆ Du skal ikke bruke sagen før bordet er ryddet for verktøy, trebiter etc. unntatt arbeidsstykket. Små biter eller løse trebiter eller andre objekter som kommer i kontakt med det roterende bladet kan kastes i høy hastighet.
- ◆ Du skal kun kutte ett arbeidsstykke om gangen. Flere stablede arbeidsstykker kan ikke sikkert festes med klemmer eller festes og kan blokkere bladet eller bevege seg under kutting.
- ◆ Forsikre deg om at saken er montert eller plassert jevn, fast overflate før bruk. En jevn og fast arbeidsflate reduserer faren for at gjæringssagen blir ustabil.
- ◆ Planlegg arbeidet. Hver gang du skifter innstilling av vinkel eller gjæringvinkel, skal du forsikre deg om at det justerbare anlegget er stilt inn riktig for å støtte arbeidsstykket slik at det ikke forstyrrer bladet eller vernsystemet. Uten å skru verktøyet "PÅ" og uten arbeidsstykke på bordet skal du bevege sagbladet gjennom et komplett simulert kutt for å forsikre deg om at det ikke oppstår forstyrrelser eller fare for kutting av anlegget.
- ◆ Sørg for tilstrekkelig støtte slik som bordforlengere, sagbukker etc. for et arbeidsstykke som er lengre enn bordplaten. Arbeidsstykker som er lengre enn gjæringssagbordet kan tippe over hvis det ikke er sikkert støttet. Hvis avkappet eller arbeidsstykket tipper over kan det løfte den nedre beskyttelsen eller bli kastet av det spinnende bladet.
- ◆ Ikke bruk en annen person som substitutt for en bordforlenger eller som tilleggstøtte. Ustabil støtte for arbeidsstykket kan forårsake at bladet blokkeres eller at arbeidsstykket beveger seg under kutteoperasjonen og kan dra deg og hjelperen inn i det spinnende bladet.
- ◆ Avkappet må ikke kjøre seg fast eller presses på noen måte mot det spinnende bladet. Hvis det begrenses ved bruk av lengdestoppere kan avkappet kjøre seg fast mot bladet og kastes voldsomt.
- ◆ Du skal alltid bruke klemmer eller fester som er laget for å støtte skikkelig rundt materialer som stenger og rør. Stenger har en tendens til å rulle når de kuttet og forårsake at bladet "biter" og drar arbeidsstykket med hånden inn i bladet.
- ◆ La bladet komme opp i full hastighet før innmatning av arbeidsstykket. Dette reduserer faren for at arbeidsstykket kastes.
- ◆ Hvis arbeidsstykket eller bladet blir blokkert skal du slå gjæringssagen av. Vent til alle bevegelige deler stopper og koble fra støpselet fra stikkkontakten

og/eller fjern batteripakken. Så skal du fjerne det blokkerte materialet. Ved å fortsette å sage med et blokkert arbeidsstykke kan forårsake tap av kontroll eller skade på gjæringsagen.

- ◆ **Etter at du er ferdig med å kutte skal du slippe bryteren, holde saghodet ned og vente til bladet har stoppet før du fjerner avkappet.** Strekking av hånden nær det roterende bladet er farlig.

Ekstra sikkerhetsinstruksjoner for gjæringsager

- ◆ Bruksområdet er beskrevet i denne bruksanvisningen. Hvis du bruker annet tilbehør, kobler til annet utstyr eller bruker dette produktet til andre oppgaver enn det som er anbefalt i denne håndboken, kan det medføre fare for personskader og/eller skade på eiendom.
- ◆ Ikke bruk sprukne/bøyde/skadede eller deformerte sagblader.
- ◆ Skift ut kappeskiven dersom den er slitt.
- ◆ Ikke bruk blader med større eller mindre diameter enn anbefalt. For opplysninger om riktig skjærekapasitet, se tekniske data. Bruk kun sagbladespesifisert i denne manualen, som er i samsvar med EN 847-1.
- ◆ Ikke bruk sagblader som er laget av høyhastighetsstål (HSS).



Advarsel! Kontakt med eller innånding av støv som oppstår ved saging, kan være helseskadelig for brukeren og eventuelle personer i nærheten. Bruk en støvmaske som er spesielt utformet for å beskytte mot støv og damp/gass, og pass på at personer som er i eller kommer inn i arbeidsområdet, også er beskyttet.

- ◆ Ikke arbeid med materialer som inneholder asbest. Asbest regnes som kreftfremkallende.
- ◆ Bruk hansker når du håndterer sagblader og grovt materiale (sagblader skal bæres i en holder når det er praktisk mulig).
- ◆ Bruk hørselvern for å redusere risikoen for hørselskade.
- ◆ Vurder å bruke spesielt konstruerte støyreduksjonsblader.
- ◆ Bruk vernebriller for å redusere risikoen for alvorlig personskade.
- ◆ Bruk støvposen som følger med, når du sager tre.
- ◆ **Hold det elektriske verktøyet kun i isolerte gripeoverflater når du utfører operasjoner hvor kutteutstyret kan komme i kontakt med skjulte ledninger eller egen ledning.** Hvis skjæretilbehøret kommer i kontakt med en strømførende ledning, kan frittliggende metalldele på verktøyet bli strømførende, og brukeren kan få elektrisk støt
- ◆ Velg et blad tilpasset materialet som skal skjæres.

- ◆ Ikke bruk maskinen uten at vernet er på plass. Bruk aldri maskinen hvis ikke vernet fungerer eller er i god stand.
- ◆ Sørg for at armen er festet på sikker vis når du utfører skråvinkel kutt.
- ◆ Før hver kapping skal du passe på at maskinen står støtt.
- ◆ Hold håndtakene tørre, rene og frie for olje og fett.
- ◆ Hold området rundt maskinen i god orden og fritt for løst materiale, for eksempel spon og kapp.
- ◆ Kontroller at maskinen og arbeidsområdet får nok lys fra rombelysning eller plassbelysning.
- ◆ Ikke la personer uten opplæring bruke denne maskinen.
- ◆ Kontroller at bladet er montert riktig før bruk. Sørg for at bladet roterer i riktig retning. Hold bladet skarpt. Følg anvisningen for smøring og utskifting av tilbehør.
- ◆ Bruk kun sagblad der hastigheten markert på bladet er tilsvarende eller mer enn hastigheten markert på sagen.
- ◆ Pass på at eventuelle avstandsskiver og spindelringer passer for bruken, som angitt av Stanley Fat Max.
- ◆ Reparasjoner på kuttelinjens guidesystem skal utføres av godkjente serviceverksteder eller servicemedarbeidere fra Stanley Fat Max.
- ◆ Fjern batteri fra verktøyet før vedlikeholdsarbeid og når du skifter blad.
- ◆ Utfør aldri rengjøring, vedlikehold eller fjerning av kapp eller andre deler av arbeidsstykket fra skjærområdet når maskinen går og saghodet ikke er i hvilestilling.
- ◆ Verktøyet skal alltid monteres på en benk dersom det er mulig.
- ◆ Kontroller at alle låseknott og håndtak er strammet godt til før du starter en operasjon.
- ◆ Bruk aldri sagen uten bordinnsatsen.
- ◆ Forsøk aldri å stoppe maskinens bevegelse raskt ved å presse et verktøy eller noe annet mot bladet. Det kan skje alvorlige ulykker uforvarende på denne måten.
- ◆ Les håndboken før du bruker eller monterer tilbehør. Feil bruk av tilleggsutstyr kan forårsake skade.
- ◆ Hev bladet fra bordinnsatsen i arbeidsstykket før du slipper av/på-bryteren.
- ◆ Ikke kil noe fast mot viften for å holde motorakslen.
- ◆ Bladbeskyttelsen på sagen løftes automatisk når armen tas ned; den senkes ned over bladet når armen løftes. Beskyttelsen kan løftes for hånd når du installerer eller fjerner sagblader for inspeksjon av sagen. Hev aldri bladvernet manuelt hvis ikke maskinen er slått av.
- ◆ Kontroller regelmessig at motorens luftsprekker er rene og fri for spon.
- ◆ Gjør aldri advarselmerkingen på elektroverktøyet uleselig.
- ◆ Stå aldri på elektroverktøyet. Det kan oppstå alvorlig personskade hvis elektroverktøyet vipper, eller hvis du kommer i kontakt med sagbladet.
- ◆ Ikke ta i sagbladet etter arbeidet før det er blitt avkjølt. Sagbladet blir svært varmt under arbeidet.

- ◆ For å unngå personskade forårsaket av materialer som kastes skal du fjerne batteriet fra sager for å unngå utilsikket start, og fjern deretter små materialbiter.
- ◆ Før bruk og etter vedlikehold må du kontrollere bladvernet for å sikre at det fungerer riktig. Denne kontrollen må utføres mens sager er slått av og batteriet fjernet. Armen må heves og senkes slik at du sikrer at vernet dekker bladet, og at bladet ikke kommer i kontakt med vernet. Hvis vernet ikke fungerer riktig, må elektroverktøyet repareres av et godkjent serviceverksted. Ring kundeservice hos Stanley Fat Max for å få oppgitt nærmeste serviceverksted.
- ◆ **Denne gjærings-sagen er kun beregnet for å sage tre, plast og metaller som ikke inneholder jern.** Ikke bruk sager for å sage andre materialer enn de som er anbefalt av leverandøren.
- ◆ Ikke ta på sagbladet før det har fått tid å kjøle seg ned etter bruk. Sagbladet kan bli svært varm ved bruk.



Advarsel! Saging av plast, tremateriale med sevjé eller andre materialer kan førte til at smeltet materiale samler seg opp på bladet og bladspissene, dette øker risikoen for at bladet blir overopphetet og bøyer seg under bruk.

Andre personers sikkerhet

- ◆ Dette apparatet kan brukes av barn som er 8 år eller eldre samt av personer som har reduserte fysiske, sansesmessige eller mentale evner, eller som mangler erfaring og kunnskap, hvis de har tilsyn eller har fått veiledning i bruk av apparatet på en trygg måte og forstår farene som foreligger.
- ◆ Barn skal ikke leke med apparatet. Rengjøring og brukervedlikehold skal ikke utføres av barn uten tilsyn.

Restrisikoer

Følgende risikoer er alltid tilstede ved bruk av sager: Selv om de relevante sikkerhetsbestemmelsene blir fulgt, og sikkerhetstiltakene blir gjennomført, kan visse gjenværende risikoer ikke unngås. Disse inkluderer:

- ◆ Personskader som forårsakes av berøring av en roterende/bevegelig del.
- ◆ Hørselskader.
- ◆ Risiko for ulykker forårsaket av delene av sagbladet som ikke er tildekket.
- ◆ Risiko for personskader som forårsakes av at en del, et blad eller tilbehør endres.
- ◆ Risiko for klemte fingre ved åpning av beskyttelsene.
- ◆ Helsefare som skyldes innånding av støv som oppstår ved saging av tre – spesielt eik, bok og MDF.
- ◆ Personskader som forårsakes av langvarig bruk av et verktøy. Når du bruker et verktøy i lange perioder, må du sørge for å ta regelmessige pauser.

Støy

Den oppgitte støyemissionsverdien er blitt målt i henhold til en standard testmetode, og kan brukes til å sammenligne et verktøy med et annet.

Den oppgitte støyverdien kan også brukes til en foreløpig vurdering av eksponering.

Advarsel! Støyemissionsverdien under faktisk bruk av elektroverktøyet kan avvike fra de oppgitte verdiene avhengig av måten verktøyet blir brukt på, og spesielt hva slags materiale det brukes på.

Advarsel! Bruk alltid riktig hørselvern. Under viss forhold og bruksvarighet kan støy fra dette produktet bidra til å miste hørselen. Vær oppmerksom på følgende faktorer som påvirker belastningen fra støy:

- ◆ Bruk sagblader som er designet for å redusere støyutvikling.
- ◆ Bruk kun godt skjerpede sagblader.
- ◆ Bruk spesielt designede støyreduerte sagblad.

Etiketter på verktøyet

De følgende symbolene sammen med datokode vises på apparatet:



Advarsel! Brukeren må lese håndboken for å redusere risikoen for personskade.



Bruk vernebriller.



Bruk hørselvern.



Bruk en støvmaske.



Produktet skal ikke benyttes av barn under 16 år.



Keep hands away from blade



Ingen hender-området – hold fingre og armer unna sagblad som roterer.



Benytt hansker når du håndterer sagblader.



Ikke se direkte på lampen når den er på.

Ytterligere sikkerhetsinstruksjoner for batterier og ladere

Advarsel! Apparatet må bare brukes med strømforsyningseenheten som fulgte med apparatet.

Merk: Verktøyet brukstemperaturområde er anbefalt å være 4 °C til 40 °C.

Batterier

- ◆ Forsøk aldri å åpne av noen årsak.
- ◆ Ikke utsett batteriene for vann.
- ◆ Ikke oppbevar det på steder hvor temperaturen kan komme over 40 °C.
- ◆ Lad bare ved temperaturer mellom 10 °C og 40 °C.
- ◆ Bruk bare laderen som følger med apparatet.
- ◆ Følg instruksene som finnes i avsnittet "Miljøvern" når du skal kaste batterier.



Ikke forsøk å lade opp skadede batterier.

Ladere

- ◆ Stanley Fat Max-laderen skal bare brukes til å lade batteriet i apparatet som laderen kom sammen med. Andre batterier kan sprekke og føre til personskade og materiell skade.
- ◆ Prøv aldri å lade ikke-oppladbare batterier.
- ◆ Skift ut defekte ledninger umiddelbart.
- ◆ Ikke utsett laderen for vann.
- ◆ Ikke åpne laderen.
- ◆ Ikke stikk gjenstander eller fingre inn i laderen.



Laderen er bare beregnet for innendørs bruk.



Les denne håndboken før bruk.

Elektrisk sikkerhet



Denne laderen er dobbeltisolert. Jording er derfor ikke nødvendig. Kontroller alltid at nettspenningen er i overensstemmelse med spenningen på typeskiltet. Ikke skift ut laderen med et vanlig nettstøpsel.

- ◆ Hvis strømfledningen blir skadet, må den skiftes av produsenten eller et autorisert Stanley-servicesenter så man unngår fare.

Funksjoner

Dette verktøyet har noen av eller alle følgende egenskaper.

1. Avtrekker-bryter
2. Betjeningshåndtak
3. Monteringshull
4. Nedre beskyttelse
5. Låseknott for gjæring
6. Gjæringslås
7. Snittplate
8. Gjæringssskala
9. Gjæringssskalaindikator
10. Bærehåndtak
11. Anlegg
12. Skråvinkel låseknapp

13. Skinner
- 13a. Borrelåsstropp
14. Støvsugertilkobling
15. Batteripakke
16. Arbeidslampebryter
17. Låsehåndtak av
18. Skinnelåsskrue
19. Monteringshull for klemme
20. Låsepinne

Montering (figur A)

Din gjæringssag er delvis montert i esken.

- ◆ Åpne esken og løft sagen ut ved bruk av bærehåndtakene (10) på bunnplaten av sagen (figur A).
- ◆ Plasser sagen på en jevn, flat overflate slik som en arbeidsbenk eller et solid bord.
- ◆ Undersøk monteringsstegningen på side 2 av denne manualen for å gjøre deg kjent med sagen og de ulike delene. Avsnittet om justeringer vil vise til disse termene og du må vite hva og hvor delene er.
- ◆ Gjæringslåseknappen (5) er ikke montert for transport. Fjern gjæringslåseknappen (5) fra pakken og skru den på sagen, se figur G og J for plassering.
- ◆ Sagen din har en innebygget støvport (14) som lar enten den medfølgende men ikke monterte støvposen (35) eller verkstedvakuumsystem kobles til (figur M).

Snittplate (figur J)

Snittplaten (7) er montert på bordet med 6 skruer. Snittplaten (7) høyde er ikke justerbar.

Merk: Hvis snittplaten (7) er slitt, skadet eller trengs å skiftes ut skal reparasjoner utføres av en autorisert reparatør eller Stanley Fat Max servicepersonell.

Låsepinne (figur F)

Advarsel! Låsepinnen skal KUN brukes når sagen bæres eller oppbevares. Bruk ALDRI låsepinnen for kapping.

Merk: For å løfte, bære og støtte gjæringssagen under transport skal du bruke de to bærehåndtakene (10) som er plassert på begge sider av gjæringssagens bunnplate (figur A).

For å låse saghodet i ned-stilling trykk saghodet ned, trykk låsepinnen (20) inn og slipp saghodet. Dette holder saghodet trygt nede for flytting av sagen fra sted til sted. For å slippe trykk saghodet ned og dra ut pinnen.

Advarsel! Du skal alltid forsikre deg om at verktøyet er skrudd av og batteriet fjernet fra verktøyet før du justerer eller sjekker verktøyets funksjon.

Lading av batteriet (figur B)

Stanley Fat Max ladere er utviklet for å lade Stanley Fat Max batteripakker.

- ◆ Plugg inn laderen (21) i en passende stikkontakt før du setter inn en batteripakke (15).
- ◆ Sett batteripakken (15) i laderen, pass på at pakken sitter godt i batterispolene (figur B).



LED-lyset (21a) blinker for å varsle om at batteriet lades.



Fullført lading vises ved at LED-lyset er på kontinuerlig. Pakken er da fullt oppladet og kan brukes, eller den kan bli stående i laderen.

- ◆ Lad opp utladede batterier så fort som mulig etter bruk, ellers vil batteriets levetid forringes.
- ◆ For lengst batterilevetid, ikke lad ut batteriet helt. Det anbefales at du lader batteriet etter hver bruk.

Laderdiagnose (figur C)

Denne laderen er designet for å registrere visse problemer som kan oppstå med batteripakkene eller strømforsyningen. Problemer indikeres av et LED-lys som blinker i ulike mønstre.

Dårlig batteri



Laderen kan oppdage et svakt eller ødelagt batteri. LED-lyset blinker i mønstret som er indikert på merkelappen. Hvis du ser dette blinkemønstret for dårlig batteri, skal du ikke fortsette å lade batteriet. Returner det til et servicesenter eller et oppsamlingssted for resirkulering.

Varm/kald ladeforsinkelse



Dersom laderen oppdager et batteri som er for varmt eller for kaldt, vil den automatisk starte en "varm/kald pakke forsinkelse", og venter med å lade til batteriet har passende temperatur. Etter dette skjer, vil laderen automatisk bytte over til pakkelademodus. Denne funksjonen sikrer maksimal levetid på batteriet. LED-lyset blinker i mønstret som er indikert på merkelappen.

La batteriet være i laderen

Laderen og batteripakken kan være tilkoblet så lenge du vil mens LED lyser permanent. Laderen vil holde batteripakken godt og fullstendig oppladet. Denne laderen har en automatisk trimmefunksjon som vedlikeholder eller balanserer de individuelle cellene i batteripakken slik at den fungerer med toppkapasitet. Batteripakker skal vedlikeholdes ukentlig eller når batteriet ikke lenger yter like mye. For å bruke den automatiske vedlikeholdsmodus, plasser batteripakken i laderen og la den stå der i minst 8 timer.

Viktige merknader om lading

- ◆ Lengst levetid og beste ytelse kan oppnå dersom batteripakken lades med lufttemperaturen er mellom 18 °C - 24 °C. IKKE lad batteripakken i en lufttemperatur under

+4,5 °C, eller over +40 °C. Dette er svært viktig og vil forhindre skade på batteripakken.

- ◆ Laderen og batteripakken kan være varme å ta på under lading. Dette er en normal tilstand og er ikke et tegn på et problem.
- ◆ For å muliggjøre bedre kjøling av batteripakken etter bruk, unngå å oppbevare laderen i varme omgivelser slik som et metallskur eller en uisolert tilhenger.
- ◆ Hvis batteripakken ikke lader skikkelig:
 - ◆ Kontroller strømmen i kontakten ved å sette inn en lampe eller et annet apparat;
 - ◆ Sjekk at stikkkontakten er koblet til en lys bryter som slår av strømmen når du slår av lyset.
 - ◆ Sett laderen og batteripakken på et sted der lufttemperaturen i omgivelsene er omtrent 18 °C – 24 °C;
 - ◆ Dersom ladeproblemene fortsetter, ta verktøy, batteripakken og laderen til det lokale servicesenteret.
- ◆ Batteripakken skal lades opp dersom den ikke gir tilstrekkelig effekt til jobber som var lette å utføre tidligere. IKKE fortsett å bruke verktøyet under slike forhold. Følg ladeprosedyren. Du kan også lade opp en halvutladet pakke når som helst uten at det har noen effekt på batteripakken.
- ◆ Fremmedlegemer med ledende egenskaper så som, men ikke begrenset til, slipestøv, metallspån, stålull, aluminiumfolie eller avleiring av metallpartikler skal holdes unna laderens åpninger. Koble fra laderen før rengjøring.
- ◆ Ikke frys eller senk ned laderen i vann eller andre væsker.

Sette inn og ta ut batteriet (figur D og E)

- ◆ Når du skal sette inn batteriet (15), holder du det på linje med kontakten på verktøyet (22). Skyv batteriet inn i kontakten og trykk til batteriet klikker på plass.
- ◆ Når du skal ta ut batteriet, trykker du på utløserknappen (15a) og trekker samtidig batteriet ut av kontakten, som vist i figur E.

Skifte eller sette på et nytt sagblad (figur G, H og I)

Advarsel! For å redusere faren for alvorlige personskader, slå av verktøy og koble fra batteripakken før du gjør justeringer eller tar av/setter på tilbehør eller ekstrautstyr. Utilsiktet oppstart kan føre til personskader.

Fjerne bladene

- ◆ Fjern batteripakken (15) fra sagen.
- ◆ Løft armen til øvre posisjon og løft nedre beskyttelse (4) så langt som mulig.
- ◆ Løsne, men ikke fjerne beskyttelsesbrakettens frontskrue (24) til braketten (25) kan heves langt nok til å få tilgang til bladskruen (26). Den nedre beskyttelsen vil forbli hevet på grunn av posisjonen til beskyttelsesbrakettenskruen.

- ◆ Trykk ned spindellåsknappen (28) mens du forsiktig roterer sagbladet (29) for hånd til det går i lås.
- ◆ Hold knappen inntrykket, bruk den andre hånden og sekskantsiden på skiftenøkkelen som følger med for å løsne bladskruen (26). (Vri med klokka, venstregjenget.)
- ◆ Fjern bladskruen (26) ved bruk av sekskantsiden på skiftenøkkelen som følger med, den ytre klemmeskiven (30) og bladet (29). Den indre klemmeskiven (31) kan du la være på spindelen(32).

Installere et blad

- ◆ Fjern batteripakken (15) fra sagen.
- ◆ Med armen hevet, den nedre beskyttelsen (4) holdt åpen og beskyttelsesbraketten (25) hevet, skal du plassere bladet (29) på spindelen (32) og mot den indre bladklemmen (31) med tennene på bladet pekende i retning av rotasjonen som markert på sagen.
- ◆ Fest den ytre klemskiven (30) på spindelen (32).
- ◆ Installer bladskruen (26) engasjer spindellåsen (28) stram godt til skruen (26) med nøkkelen (vri mot klokka, venstregjenger).
- ◆ Sett tilbake beskyttelsesbraketten (25) til originalposisjon nede og fest sikkert beskyttelsesbrakettskruen (24) for å holde braketten på plass.

Kuttelinje styresystem

Advarsel! Ikke se direkte inn i arbeidslyset. Det kan resultere i alvorlig øyeskade.

Merk: Batteriet må være ladet og koblet til gjærings sagen.

Kuttelinje styresystemet kan kun skrues på og av arbeidslysbryteren (16).

For å kutte gjennom en eksisterende blyantstrek på et stykke tre skal du slå på kuttelinje styresystemet med arbeidslysbryteren (16) (ikke med strømbryteren), så skal du dra ned betjeningshåndtaket (2) for å få sagbladet nær materialet.

Skyggen av bladet vil vises på trestykket. Denne skyggelinjen representerer materialet som bladet vil fjerne når det utfører et kutt.

For å lokalisere kuttet korrekt til blyantstreken skal du rette inn blyantstreken med kanten på bladskyggen. Husk at du kan måtte justere gjærings- eller skråvinkel for å kunne følge streken nøyaktig.

Sagen din er utstyrt med batterifeifunksjon. Arbeidslyset begynner å blinke når batteriet nærmer seg slutten på ladingen, eller hvis batteriet er for varmt. Lad batteriet før du fortsetter kuttarbeid. Se ladeprosedyre under Viktige Sikkerhetsinstruksjoner for batteripakker for batteriladeinstruksjoner.

Gjæringskontroll (figur J)

Gjæringslåsknotten (5) og gjæringslåsen (6) lar deg stille sagen til 47° høyre og 47° venstre. Gjæringslåsen vil automatisk lokalisere 0°, 15°, 22,5°, 31,6° og 45° både til venstre og

høyre. For å gjære sagen skal du låse opp gjæringslåsemekanismen ved å vri gjæringslåsknotten (5) mot klokken for å låse opp og med klokken for å låse. Dra gjæringslåsen (6) opp, og still inn gjæringsvinkelen på gjærings skalaen (8). Lås gjæringslåseknotten (5) ved å vri den med klokken.

Skråvinkel låseknapp (figur K)

Skråvinkel låsen lar deg stille skråvinkel fra 48° venstre. For å justere skråvinkel, vri knappen (12) mot klokka for å løsne. For stramme til, vri skråvinkel låsen med klokka.

Forsiktig! Klemfare. Forsikre deg om at du fester skråvinkel låsknotten før du justerer overstyringer.

Avtrekker-bryter (figur L)

For å skru på sagen skal du trykke låsehendelen (17) til venstre, så trykke på utløserbryteren (1). Sagen vil gå mens bryteren er trykket ned. La bladet spinne opp til full driftshastighet før du kutter. For å skru sagen av, slipp bryteren. La bladet stoppe før du hever saghodet. Det er ikke mulig å låse bryteren på. Et hull (1a) finnes i avtrekkeren for innsetting av hengelås for å låse bryteren av.

Din sag er ikke utstyrt med en automatisk elektrisk blad bremse, men sagbladet skal stoppe innen 5 sekunder etter bryteren slippes. Dette er ikke justerbart. Hvis stopptiden gjentatt overgår 5 sekunder skal du få verktøyet på service ved et autorisert Stanley FatMax service senter.

Du skal alltid være sikker på at bladet har stoppet før du fjerner det fra snittet.

Støvsuging (figur M)

Advarsel! For å redusere faren for alvorlige personskader, slå av verktøy og koble fra batteripakken før du gjør justeringer eller tar av/setter på tilbehør eller ekstrautstyr. Utilsiktet oppstart kan føre til personskader.

Sagen din har en innebygget støvport (14) som kan kobles til enten den medfølgende støvposen (35) eller verkstedets støvsugersystem kobles til.

Feste støvposen

- ◆ Fest støvposen (35) til støvporten (14) som vist på figur M.
- ◆ En støvsugerslange (38 - medfølger ikke) kan tilpasses støvporten (14) i stedet for støvposen (35). Dette kan gjøres ved å tilpasse din støvsugerslange (38) i stedet for støvposen (35) se figur M.
- ◆ Bruk borrelåsstroppen (13a) til å holde din støvsugerslange (38) klar fra skyveskinnene (13) mens du bruker sagen.

Merk: Borrelåsstroppen (13a) er ikke et bærehåndtak og skal ikke brukes til å bevege eller transportere sagen.

Tømme støvposen

- ◆ Ta av støvposen (35) fra slipemaskinen og rist eller bank støvposen forsiktig for å tømme den.

- ◆ Fest støvposen tilbake til støvporten (14).

Legg merke til at ikke alt støvet ikke vil løsne fra posen. Dette vil ikke påvirke kutteeffekten, men vil redusere effektiviteten av støvoppsamlingen. For å bedre støvsugingen trykk inn fjæren inne i støvposen når du tømmer den, og bank den mot siden av avfallsbøtten eller støvsugerstussen.

Advarsel! Du skal aldri bruke denne sagen uten at støvposen er på plass. Sagspon og støv fra trevirke kan medføre helsefare ved innånding.

Kutting med sagen

Dersom skyvefunksjonen ikke brukes, pass på at saghodet er skjøvet så langt tilbake som mulig og at skinnelåsskruen (18) er strammet til. Dette vil hindre at sagen skli langsk skinnen etterhvert som arbeidsstykket engasjeres.

Merk: IKKE KUTT JERNHOLDIGE METALLER ELLER MURVERK MED DENNE SAGEN (IKKE JERNHOLDIGE METALLER KAN KUTTES MED DENNE SAGEN. Ikke bruk slipeskiver.

Merk: Se Aktivivering og synlighet av beskyttelse i justering-savsnittet for viktig informasjon om den nedre beskyttelsen før du kutter.

Tverrkutting (figur N)

Tverrkutting betyr å kutte tverret på tvers av veden i enhver vinkel. Et rett tverrkutt gjøres med gjæringsarmen ved null graders posisjon. Still inn og lås gjæringsarmen på null, og hold trestykket fast mot bordet og mot anlegget.

Med skinnelåsskruen (18) strammet, slå på sagen ved å trykke inn avtrekkerbryteren (1).

Når sagen er kommet i hastighet (etter 1 sekund), senk armen mykt og langsomt for å kappe gjennom trestykket. La bladet stoppe helt før du løfter armen.

Ved kapping av noe større enn 2 x 4 (51 x 102), bruk en ut-ned-tilbake bevegelse med skinnelåsskruen (18) løsnet. Dra sagen ut, mot deg, senk saghodet ned mot arbeidsstykket og skyv langsomt sagen tilbake for å avslutte kuttet. Ikke la sagbladet komme i direkte kontakt med toppen av arbeidsstykket når du trekker ut. Sagen kan komme mot deg og forårsake personskader eller skade på arbeidsstykket.

Advarsel! Bruk alltid en arbeidsklemme for å holde kontroll og redusere faren for skade på arbeidsstykket og personskader, dersom du må bevege hendene innenfor 6" (152 mm) av bladet under kuttingen.

Merk! Skinnelåsskruen (18) må være løs for å la sagen skyves langs skinnene.

Gjæringsstverrkutt gjøres med gjæringsarmen ved en vinkel som ikke er null.

Gjæringsvinkel er ofte 45° for å lage hjørner, men kan stilles inn hele veien fra null til 47° venstre eller 47° høyre. Gjør kuttet som beskrevet ovenfor.

Når du utfører et gjæringskutt på arbeidsstykker bredere enn 2 x 6 som er kortere av lengde, legg alltid den lengste siden mot anlegget (figur N).

For å kutte gjennom en eksisterende blyantstrek på et trestykke, skal du matche vinkelen så nært som mulig. Kutt trestykket litt for langt og mål fra blyantstreken til kuttkanten for å avgjøre hvilken retning du skal justere gjæringsvinkelen og kutte igjen. Dette må du trene litt på, men er en vanlig teknikk.

Avfasing

Et skråvinkelkutt gjort med sagbladet lenende i en vinkel til trestykket. For å stille inn skråvinkel skal du løsne skråvinkelåsknotten (12) og bevege sagen til venstre som ønsket. Når du har stilt inn ønsket skråvinkel skal du stramme skråvinkelåsen stramt. Skråvinkler kan stilles fra 3° til høyre til 48° til venstre.

Kvalitet på kutt

Smidigheten til ethvert kutt avhenger av flere variabler. Ting som materialet som kuttes, bladtype, bladskarphet og sageshastighet har alle innvirkning på kvaliteten på kuttet. Når du ønsker glatte kutt for listverk og annet presisjonsarbeide, bruk et skarpt blad (60 tenner karbid) og en langsom, jevn sageshastighet for å få best mulig resultat. Påse at materialet ikke beveger seg eller kryper under saging. Fest det godt på plass med klemmer.

La alltid bladet stoppe helt før du løfter armen.

Dersom små sagfliser stikker ut bakerst på arbeidsstykket fest et stykke maskeringsteip der kutten skal gjøres. Sag gjennom teipen og fjern den forsiktig når du er ferdig.

For varierte kuttemetoder, se listen over anbefalte sagblad for din sag og velg det som best passer dine behov. Se Sagblad under Valgfritt Tilbehør.

Korrekt kropps og håndstilling (figur O1–O4)

Korrekt plassering av kropp og hender ved bruk av gjæringsdagen vil gjøre sagingen, enklere, mer nøyaktig og tryggere. Plasser aldri hendene i nærheten av skjæreamrådet. Ikke plasser hendene nærmere enn 6" (152 mm) fra bladet. Hold arbeidsstykket fast mot bordet og anlegget under kapping. Hold hendene på plass inntil bryteren er sluppet og bladet har stoppet helt.

GJØR ALLTID EN TEST (UTEN STRØM) FØR ET VIRKELIG KUTT, SLIK AT DU KAN SJEKKE BLADETS RETNING. IKKE KRYSS HENDENE, SOM VIST I FIGUR O3.

Hold begge bena godt på bakken og hold riktig balanse. Når du beveger gjæringsarmen til venstre og høyre, følg den og stå litt til siden for bladet. Se gjennom åpningene i vernet når du følger en blyantstrek.

Feste arbeidsstykket med klemmer

Advarsel! For å redusere faren for alvorlige personskader, slå av verktøy og koble fra batteripakken før du gjør justeringer eller tar av/setter på tilbehør eller ekstrastyr. Utsikket oppstart kan føre til personskader.

Advarsel! Et fastklemt, balansert og sikret arbeidsstykke kan bli ubalansert etter at et kutt er utført. En ubalansert last kan tippe over sagen eller noe sagen er fetet til, slik som et bord eller en arbeidsbenk. Når du gjør et kutt som kan føre til ubalanse, støtt opp arbeidsstykket godt og sikre at sagen er godt boltet til et stabilt underlag. Det kan resultere i personskade.

Advarsel! Klemfoten skal være fastklemt over basis av sagen når klemmen brukes. Klem alltid fast arbeidsstykket til basen av sagen – ikke til noen annen del av arbeidsområdet. Pass på at klemfoten ikke er klemt mot kanten av basis på sagen.

Advarsel! Bruk alltid en arbeidsklemme for å holde kontroll og redusere faren for skade på arbeidsstykket og personskader, dersom du må bevege hendene innenfor 6" (152 mm) av bladet under kuttingen. Hvis du ikke kan sikre arbeidsstykket på bordet og mot anlegget med hånden (uvanlig form etc.), eller at hånden er mindre enn 6" (152 mm) fra bladet skal du bruke en klemme eller et annet feste.

Bruk materialklemmen som leveres med sagen. For å kjøpe en materialklemme kan du kontakte din lokale forhandler eller et Stanley FatMax servicesenter.

Andre hjelpemidler som fjærklemmer, klemstenger eller C-klemmer kan være passende for visse størrelser og former på materialet. Bruk omhu i valg og plassering av disse klemmene. Ta deg tid til å teste kutt uten strøm før du kutter.

Installere klemmer (figur P)

- ◆ Sett klemmen (37) inn i hullet (19) bak anlegget. Klemmen skal være rettet mot baksiden av gjærings sagen. Rillene på klemme stangen skal være helt satt inn i basen. Pass på at sporet er fullt innskjøvet i basen på gjærings sagen. Dersom sporet er synlig vil ikke klemmen være sikret.
- ◆ Roter klemmen 180° mot fronten av gjærings sagen.
- ◆ Løsne knotten for å justere klemmen opp eller ned, bruk så finjusteringsknotten for å feste klemmen til arbeidsstykket.

Merk: Plasser klemmen på motsatt side av basen ved skråsaging. GJØR ALLTID EN TEST (UTEN STRØM) FØR ET VIRKELIG KUTT, SLIK AT DU KAN SJEKKE BLADETS RUTE. SIKRE AT KLEMMEN IKKE KOMMER I VEIEN FOR FUNKSJONEN AV SAGEN ELLER ANLEGGET.

Justeringer

Gjærings sagen er helt og nøyaktig justert på fabrikk etter produksjon. Dersom en ny justering trenges grunnet

forsendelsen og håndtering eller annen årsak følg instruksjonene under for å justere sagen.

Når disse justeringer er gjort skal sagen forbli nøyaktig. Ta deg litt tid for å følge disse instruksjonene nøye for å opprettholde nøyaktigheten som sagen er i stand til.

Justering av gjæringskala (figur Q1)

Lås armen i nedeposisjon. Lås opp gjæringslåsknotten (5) og sving gjæringsarmen til gjæringslåsen (6) låser i 0° posisjon. Ikke lås gjæringslåsen knotten. Sett en vinkelhake mot sagens anlegg og bladet, som vist. (Ikke berør tuppene på bladtennene med vinkelhaken. Det vil i så fall føre til unøyaktig måling.)

Hvis sagbladet ikke er nøyaktig vinkelrett til anlegget, skal du løse og bevege materialanlegget til bladet er vinkelrett til anlegget som målt med vinkelhaken. Ikke bry deg med plassering av gjæringspekeren på dette tidspunkt.

Justering vinkel vinkelrett til bordet (figur Q2)

For å rette inn bladet vinkelrett mot bordet, lås armen i nedeposisjon med låsepinen (20). Sett en vinkelhake mot bladet, pass på at vinkelhaken ikke står mot tuppen på en tann. Løsne skråvinkelåseknapp (5) og sikre at armen er fast mot 0° skråvinkelstopper. Roter 0° skråvinkeljusteringskrue med 1/2" (12,7 mm) pipnøkkel (medfølger ikke) som nødvendig slik at bladet er ved 0° mot bordet som målt med vinkelhaken.

Aktivering og synlighet av beskyttelse (figur V)

Advarsel! Klemfare. For å redusere faren for personskader skal du holde tommelen under betjeningshåndtaket når du drar håndtaket ned. Den nedre beskyttelsen vil bevege seg opp når betjeningshåndtaket dras ned, noe som kan forårsake klemskader.

Nedre beskyttelse (4) på sagen er designet for automatisk å frilgge bladet når armen går ned, og for å dekke bladet når armen løftes.

Før hver bruk eller du har utført justeringer skal du ta armen frem og tilbake (uten strøm) for å sikre at beskyttelsen åpner seg smidig og lukkes helt. Den skal ikke komme i kontakt med bladet. Med armen oppe skal du heve beskyttelsen (uten strøm) som vist på figur V og slippe. Beskyttelsen skal lukke seg helt og raskt.

Ikke bruk sagen dersom beskyttelsen ikke beveger seg fritt og lukker seg øyeblikkelig. Du skal aldri klemme fast eller binde beskyttelsen i åpen posisjon når du bruker sagen.

Beskyttelsen kan løftes for hånd når du installerer eller fjerner sagblader for inspeksjon av sagen.

LØFT ALDRI NEDRE BESKYTTELSE MANUELT UTEN AT BLADET STÅR STILLE.

Merk: Visse spesialkutt av store materialer krever at du manuelt hever beskyttelsen. Se kutte store materialer under spesialkutt.

Den fremre delen av beskyttelsen har spjelder for å gi sikt under skjæring. Selv om spjeldene dramatisk stopper flygende objekter er de åpninger i beskyttelsen og du skal derfor ha på vernebriller hele tiden.

Skinneguide

Kontrollere skinnene (13) regelmessig for slark og klaring. Skinnene kan rengjøres med en tørr ren klut.

Saging av billedrammer, bokser og andre firkantede objekter (figur R1 og R2)

For best å kunne forstå hvordan de nevnte objektene fungerer anbefaler vi at du prøver noen få enkle prosjekter med avkapp til du får "forståelse" for sagen.

Denne sagen er perfekt for å sage hjørner som vist i figur R1. Skissene A på figur R2 viser et hjørne laget ved bruk av skråvinkeljustering for å skråstille kantene til de to plankene ved 45° hver for å produsere et hjørne på 90°. For dette hjørnet er gjæringsarmen er låst på null og skråvinkel er låst på 45°. Trestykket er plassert med den brede flate siden mot bordet, og den smale kanten mot anlegget. Samme kutt kan gjøres ved høyre eller venstre gjæring med den brede flaten mot anlegget.

Kapping av lister og andre rammer (figur R2)

Skisse B i figur R2 viser en skjote laget ved å sette gjæringsarmen med 45° for å skjote de to stykkene til et 90° hjørne. For å lage denne typen skjote, sett skråvinkel til null og gjæringsarmen til 45°. Trestykket er også nå posisjonert med den brede flate siden mot bordet, og den smale kanten mot anlegget. Figurene R1 og R2 er kun for firkantede objekter.

Når det er et annet antall sider, må skråvinkel og gjæringsvinkel endres. Tabellen under gir deg korrekte vinkler for mange ulike former.

Eksempler

| Antall sider | Gjærings eller skråvinkel |
|--------------|---------------------------|
| 4 | 45° |
| 5 | 36° |
| 6 | 30° |
| 7 | 25,7° |
| 8 | 22,5° |
| 9 | 20° |
| 10 | 18° |

Tabellen går ut i fra at alle sider er like lange. For former som ikke vises i tabellen, bruk følgende formel: 180° delt på antall

sider er lik gjæringen (hvis materialet kuttes vertikalt) eller skråvinkel (hvis materialet kuttes liggende flatt).

Saging av sammensatte gjæringer (figur R3)

En sammensatt gjæring er et kutt satt sammen av en gjæringsvinkel og en skråvinkel samtidig. Dette er den typen kutt som brukes for å lage rammer eller bokser med skråstille sider som den vist i figur R3.

Merk: Dersom kappevinkelen varierer fra kutt til kutt, kontroller at gjæringslåsesknoten og gjæringslåséhåndtaket er godt låst. De skal låses etter hver endring som gjøres på gjærings- eller skråvinkel. Tabellen (tabell 1) vist på slutten av denne bruksanvisningen hjelper deg å sette korrekt gjæring og skråstilling for vanlige sammensatte gjæringskutt. For å bruke tabellen skal du velge ønsket vinkel A (figur R3) for ditt prosjekt og finn den vinkelen på den aktuelle buen i tabellen. Fra det punktet, følg tabellen rett ned for å finne korrekt skråvinkel, og rett over for å finne korrekt gjæringsvinkel. Still inn sagen til de angitte vinklene og gjør et par prøvekapp. Øv deg på å passe de kuttete bitene sammen til du utvikler en forståelse for denne prosedyren og følger deg komfortabel med den.

Eksempel: For å lage en boks med 4 sider med 26° ytre vinkel (vinkel A, figur R3), bruk øvre høyre bue. Finn 26° på bueskalaen. Følg den horisontale skjærelinjen på en av sidene for å få gjæringsvinkelinnstillingen på sagen (42°). På samme måte følg den vertikalt kryssende linjen til topp eller bunn for å finne innstilling av skråvinkel på sagen (18°). Prøv alltid å kutte på avkapp først for å bekrefte innstillingene på sagen.

Saging av flate lister (figur S)

Rette 90° kapp:

Plasser trevirket mot anlegget og hold det på plass som vist på figur S. Skru på sagen, la bladet nå full hastighet og senk armen smidig gjennom kuttet.

Kutte flate lister opp til 3,5" (90 mm) høyt vertikalt mot anlegget

Plasser materialet som vist på figur S. Alle kapp skal gjøres med baksiden av listen mot anlegget, og med bunnen av listen mot bordet.

| | Innvendig hjørne | Utvendig hjørne |
|--------------|--|--|
| Venstre Side | Gjæring venstre 45° Behold venstre side av kutt | Gjæring høyre 45° Behold venstre side av kutt |
| Høyre Side | Gjæring høyre 45° Behold høyre side av kutt | Gjæring venstre 45° Behold høyre side av kutt |

Materialer opp til 3,5" (90 mm) kan kappes som beskrevet over.

Kutte kronelister/taklister

For å passe godt, må taklisten sages med sammensatt gjæring med ekstremer nøyaktighet.

De to flate overflatene på et gitt stykke taklist er vinkler som, når legges sammen må være lik 90°. De fleste, men ikke alle taklister har en topp bakvinkel (flate som passer flatt mot taket) på 52° og enn bunn bakvinkel (flaten som passer flatt mot veggen) på 38°.

Din gjæringssag har forhåndsinnstilte gjæringslasepункter ved 31,6° venstre og høyre for kutting av taklister ved rett vinkel. Det er også et merke på gjæringskalaen på 33,8°.

Tabellen over skråvinkel innstilling/type kutt gir deg korrekte innstillinger for saging av taklister. (Tallene for gjærings og skråvinkelinnstillinger er veldig presise og vanskelige å stille inn nøyaktig på sagen.) Siden de fleste rom ikke har vinkler på nøyaktig 90°, må du finjustere innstillingene uansett.

Instruksjoner for saging av taklister som ligger flatt, og bruk av sammensatte funksjoner

- Legg listen med den brede baksiden ned flatt på sagebordet (36) (figur T1).
- Innstillingene under er for alle standard taklister med 52° og 38° vinkler.

| Skåvinkelinnstilling | Type kutt |
|----------------------|---|
| 33,8° | VENSTRE SIDE, INNVEDIG HJØRNE: 1. Toppen av listen mot anlegget 2. Gjæringsbord satt høyre 31,62° 3. Behold venstre side av kutt |
| 33,8° | HØYRE SIDE, INNVEDIG HJØRNE: 1. Bunnen av listen mot anlegget 2. Gjæringsbord satt venstre 31,62° 3. Behold venstre side av kutt |
| 33,8° | VENSTRE SIDE, UTVEDIG HJØRNE: 1. Bunnen av listen mot anlegget 2. Gjæringsbord satt venstre 31,62° 3. Behold høyre side av kutt |
| 33,8° | HØYRE SIDE, UTVEDIG HJØRNE: 1. Toppen av listen mot anlegget 2. Gjæringsbord satt høyre 31,62° 3. Behold høyre side av kutt |

Merk: Når du stiller inn skråvinkler og gjæringsvinkler for alle listverk, husk at vinklene som er vist for taklister er veldig presise og vanskelig å stille inn nøyaktig. Siden de lett kan bevege seg og veldig få rom har nøyaktige firkantede hjørner, skal alle innstillinger testes på avkappslister.

Alternativ metode for saging av taklister

Plasser taklisten ved en vinkel mellom anlegget (11) og sagebordet (36), med toppsiden av taklisten på bordet og bunnen av taklisten på anlegget som vist på figur T1.

Fordelen med å kutte taklister ved bruk av denne metoden er at du ikke trenger skråvinkler. Mindre endringer av gjæringsvinkelen kan gjøres uten å påvirke skråvinkelen. På denne måten, dersom det er andre hjørner enn 90°, kan sagen raskt og enkelt justeres for det.

Instrukser for saging av taklister med vinkling mellom anlegget og bunnplaten på sagen for alle kapp

Denne sagen kan kutte opp til 9/16" (14 mm) x 3-5/8" (92 mm) koblede taklister.

- Sett listen i vinkel slik at bunnen av listen (den delen som ligger mot veggen ved montering) er mot anlegget (11), og toppen av listen hviler mot sagesbordet (36) som vist på figur T2.
- De vinklede "flatene" på baksiden av taklisten skal ligge rett an mot anlegget og sagesbordet (36).

| | Innvedig hjørne | Utvendig hjørne |
|--------------|--|--|
| Venstre Side | Gjæring høyre ved 45° Behold høyre side av kutt | Gjæring venstre ved 45° Behold høyre side av kutt |
| Høyre Side | Gjæring venstre ved 45° Behold venstre side av kutt | Gjæring høyre ved 45° Behold venstre side av kutt |

Spesialkutt

Foreta aldri noen kutt uten at materialet er festet til bordet og mot anlegget.

Bøyde materialer (figur U1 og U2)

Ved saging av bøyde materiale, plasser det alltid som vist i figur U1 og aldri som vist i figur U2. Plassering av materialet på feil måte vi føre til at det klemmer bladet nær enden på kuttet.

Kapping av runde materialer

Runde materialer skal klemmes fast eller holdes fast mot anlegget for å hindre at det ruller. Dette er svært viktig ved vinkelkutt.

Saging av store materialer (figur V)

Av og til vil du få et trestykke som er litt for stort for å passe under nedre beskyttelse. For at beskyttelsen skal ha klaring over treverket med sagen av og med høyre hånd på betjeningshåndtaket skal du plassere høyre tommel på utsiden av den øvre delen av beskyttelsen og rulle beskyttelsen opp litt slik at treverket har klaring, som vist på figur V. Slipp beskyttelsen før du starter motoren. Beskyttelsesmekanismen vil fungere skikkelig under kuttet. Du skal kun gjøre dette når det er nødvendig.

ALDRI BIND, TAPE ELLER PÅ ANNEN MÅTE HOLD BESKYTTELSEN PERMANENT ÅPEN VED BRUK AV SAGEN.

Vedlikehold

Advarsel! For å redusere faren for alvorlige personskader, slå av verktøy og koble fra batteripakken før du gjør justeringer eller tar av/setter på tilbehør eller ekstrastyr. Utsiktet oppstart kan føre til personskader.

Advarsel! For å redusere risikoen for alvorlig personskade, skal DU IKKE ikke berøre de skarpe punktene på bladet med fingrer eller hender når du utfører vedlikehold. IKKE bruk smøremidler eller rengjøringsmidler (spesielt spray eller aerosol) i nærheten av plast-beskyttelsen. - Materialer av polykarbonat som brukes i beskyttelsen vil angripes av visse kjemikalier.

- ◆ Alle lagre er forseglet. De er smurt for hele levetiden og trenger ikke videre vedlikehold.
- ◆ Regelmessig rengjør alt støv og treflis fra rundt OG UNDER basisen og det roterende bordet. Selv store spor finnes for å la spon etc. passere gjennom, det vil naturlig nok akkumuleres noe støv.
- ◆ Børstene er designet for å gi deg flere års bruk. Hvis de trenger utskifting skal du returnere verktøyet til nærmeste servicesenter for reparasjon.

Feilsøking

| Problem | Mulig årsak | Løsning |
|--|--|--|
| Sagen starter ikke. | Batteriet er ikke satt inn. | Installer batteriet. Se installering og fjerning av batteripakken. |
| | Batteriet er ikke ladet. | Lad batteriet. Se ladeprosedyre. |
| | Børstene utslitte | Få børstene skiftet ved et autorisert servicesenter. |
| Sagen utfører ikke tilfredsstillende kutt. | Sløvt blad. | Skift blad. Se skifte eller sette på et nytt sagblad. |
| | Bladet er montert på baklengs. | Vri bladet rundt riktig vei. Se skifte eller sette på et nytt sagblad. |
| | Avleiringer eller harpiks på bladet. | Fiern bladet og rengjør med grov stålull og terpentin eller ovnsrens fra kjøkkenet. |
| | Feil blad for arbeidet som utføres. | Bytt bladtype. |
| Arbeidsløset blinker. | Batteriet er ikke ladet | Lad batteriet. Se ladeprosedyre. |
| Maskinen vibrerer voldsomt. | Sagen ikke montert sikkert til overflaten eller arbeidsbenken. | Stram alle festebelementer. Se benkmontering |
| | Overflate eller arbeidsbenk på ujevnt gulv. | Rett inn på jevn overflate. |
| | Skadet sagblad. | Skift blad. Se skifte eller sette på et nytt sagblad. |
| Utfører ikke nøyaktige gjæringskutt. | Gjæringssskalaen er ikke justert korrekt. | Sjekk og juster. Se Gjæringssskalajustering under Justeringer. |
| | Bladet er ikke vinkelrett mot anlegget. | Sjekk og juster. Se Gjæringssskalajustering under Justeringer. |
| | Bladet er ikke vinkelrett mot bordet. | Sjekk og juster anlegget. Se justering vinkel vertikalt mot bord under Justeringer. |
| | Arbeidsstykket beveger seg | Fest arbeidsstykket med klemmer til anlegget eller lim 120-grad sandpapir til anlegget med gummiilm. |
| | Snittplaten er slitt eller skadet. | Lever den på et autorisert serviceverksted. |
| Materialer klemmer bladet. | Kapping av bøyd materiale. | Se kutte bøyde materialer under spesialkutt. |

Miljøvern



Separat avfallshåndtering. Produkter og batterier merket med dette symbolet skal ikke kastes i vanlig husholdningsavfall.

Produkter og batterier inneholder materialer som kan gjenbrukes eller gjenvinnes for å redusere behovet for nye råmaterialer.

Vennligst lever elektrisk utstyr og batterier til gjenbruk i henhold til lokale regler. Mer informasjon finner du på www.2helpU.com

Tekniske data

| FMCS701 (H1) | | | |
|--------------------------------|------------|----|----------|
| Spenning | V | | 18 |
| Hastighet | /min | | 3 800 |
| Blad ytre diameter | mm | | 190 |
| Hulldiameter | mm | | 16 |
| Blad maks. snittbredde | mm | | 1,8 |
| Vekt uten batteri | kg | | 10 |
| Bladtykkelse | mm | | 1,0 |
| Gjæring (maks. posisjoner) | ° | | 47 |
| Skråkjæring (maks. posisjoner) | ° | | 47 |
| 0 grader gjæring | horizontal | mm | 50 x 216 |
| | vertikal | mm | 90 x 15 |
| 45 grader gjæring høyre | horizontal | mm | 50 x 152 |
| | vertikal | mm | 90 x 15 |
| 45 grader gjæring venstre | horizontal | mm | 50 x 152 |
| | vertikal | mm | 90 x 15 |
| 45 grader skrå venstre | horizontal | mm | 50 x 152 |
| | vertikal | mm | 50 x 15 |

| Lader | | 905998** typ. 1 | 906086** typ. 1 |
|--------------------|----------|-----------------|-----------------|
| Ilngangsspenning | V_{AC} | 230 | 230 |
| Utgangsspenning | V_{DC} | 18 | 18 |
| Utgangsstrøm | A | 1 | 2 |
| Omtrentlig ladetid | min | 90 - 240 | 45 - 120 |

| Batteri | | FMC689L | FMC687L | FMC688L |
|-----------|----------|---------|---------|---------|
| Spenning | V_{DC} | 18 | 18 | 18 |
| Kapasitet | Ah | 1.5 | 2.0 | 4.0 |
| Type | | Li-Ion | Li-Ion | Li-Ion |

| Lydtryknivå i henhold til EN 62841: | |
|-------------------------------------|------------------------------------|
| L_{PA} (lydtrykk) | 83,0 dB(A), usikkerhet (K) 3 dB(A) |
| L_{WA} (lydeffekt) | 94,5 dB(A), Usikkerhet (K) 3 dB(A) |

EU-samsvarserklæring

MASKINDIREKTIVET



FMCS701 Gjæringssag med glidende saghode

Stanley Europe erklærer at disse produktene som er beskrevet under "Tekniske data" er i samsvar med:
EN62841-1:2015, EN62841-3-9:2015+A11:2017

Disse produktene er også i samsvar med direktiv
2006/42/EC, 2014/30/EU og 2011/65/EU.

Hvis du ønsker mer informasjon, kontakt Stanley Fat Max på følgende adresse, eller se på baksiden av bruksanvisningen.

Undertegnede er ansvarlig for utarbeidelsen av den tekniske dokumentasjonen og gir denne erklæringen på vegne av Stanley Fat Max.

Ray Laverick
Engineering Director
Stanley Fat Max Europe, 210 Bath Road, Slough,
Berkshire, SL1 3YD
Storbritannia
28.06.2018

Garanti

Stanley Europe er trygg på kvaliteten av produktene sine og tilbyr en 12 måneders garanti fra kjøpsdato. Denne garantierklæringen kommer i tillegg til dine lovbestemte rettigheter og er ikke i konflikt med disse. Garantien er gyldig innen områdene tilhørende medlemslandene i den Europeiske Union (EU) og det Europeiske Frihandelsområdet (EFTA).

For å ta garantien i bruk må kravet være i samsvar med kjøpsbetingelsene fra Stanley Fat Max og du må vise kjøpskvittering til forhandleren eller til et autorisert serviceverksted. Betingelsene for Stanley Europes 1 års garanti og adressen til din nærmeste autoriserte serviceverksted kan du finne på internett under www.2helpU.com, eller ved å kontakte ditt lokale Stanley Europe kontor, adressen er angitt i denne bruksanvisningen.

Besøk vår webside www.stanley.eu/3 for å registrere ditt nye Stanley Fat Max produkt og for å holde deg oppdatert om nye produkter og spesialtilbud.

Tilsigtede bruk

Din kombinerte, forskydelige FMCS701-geringssav fra Stanley Fat Max er kun beregnet til savning i trær, plastikk og ikke-jernholdig metall. Dette værktøj er beregnet til erhvervs-mæssige brugere og private ikke-erhvervs-mæssige brugere.

Sikkerhedsinstruktioner

Generelle sikkerhedsadvarsler vedrørende elværktøj



Advarsel! Læs alle sikkerhedsadvarsler, instruktioner, illustrationer og specifikationer, der følger med elværktøjet. Hvis efterfølgende advarsler og instruktioner ikke følges, er der risiko for elektrisk stød, brand og alvorlige kvæstelser.

Gem alle advarsler og instruktioner til fremtidig reference.

Begrebet "elværktøj", der benyttes i nedenstående advarsler, henviser til netdrevet elværktøj (med netledning) eller batteridrevet elværktøj (uden netledning).

1. Sikkerhed i arbejdsområdet

- Hold arbejdsområdet rent og ordentligt oplyst.** Rodede eller mørke områder giver anledning til ulykker.
- Brug ikke elværktøj i eksplosive omgivelser, f.eks. hvor der er brændbare væsker, gasser eller støv.** Elværktøj danner gnister, der kan antænde støv eller dampe.
- Hold børn og andre personer i nærheden på afstand, når der arbejdes med elværktøj.** Distractioner kan medføre, at du mister kontrollen.

2. Elektricitet og sikkerhed

- Elværktøjets stik skal passe til kontakten. Stikket må aldrig modificeres på nogen måde. Undlad at bruge adapterstik sammen med (jordforbundet) elektrisk værktøj.** Umodificerede stik og dertil passende stikkontakter reducerer risikoen for elektrisk stød.
- Undgå kropskontakt med jordforbundne overflader som f.eks. rør, radiatorer, komfurer og køleskabe.** Der er øget risiko for elektrisk stød, hvis din krop er jordforbundet.
- Udsæt ikke elværktøj for regn, og brug det ikke, hvor omgivelserne er våde.** Hvis der trænger vand ind i et elektrisk værktøj, øges risikoen for elektrisk stød.
- Pas på, at ledningen ikke beskadiges. Brug aldrig ledningen til at bære, trække værktøjet eller trække det ud af stikkontakten. Hold ledningen borte fra varme, olie, skarpe kanter og bevægelige dele.** Beskadigede eller sammenfiltrede ledninger øger risikoen for elektrisk stød.

- e. **Hvis elværktøj benyttes i det fri, skal der benyttes en forlængerledning, som er godkendt til udendørs brug.** Brug af en ledning, der er egnet til udendørs brug, reducerer risikoen for elektrisk stød.
- f. **Brug en strømkilde med fejlstrømsrelæ, hvis det er nødvendigt at anvende elværktøj på fugtige steder.** Ved at benytte en fejlstrømsafbryder reduceres risikoen for elektrisk stød.
- 3. Personssikkerhed**
- a. **Vær opmærksom, hold øje med, hvad du laver og brug elværktøjet fornuftigt. Betjen ikke værktøjet, hvis du er træt, påvirket af narkotika, alkohol eller medicin.** Et øjeblikvis uopmærksomhed under anvendelse af et elektrisk værktøj kan forårsage alvorlige kvæstelser.
- b. **Brug personligt beskyttelsesudstyr. Bær altid beskyttelsesbriller.** Det er muligt at reducere risikoen for kvæstelser ved alt efter omstændighederne at anvende det passende sikkerhedsudstyr såsom støvmaske, skridsikre sikkerhedssko, sikkerhedshjelm eller høreværn.
- c. **Træf forholdsregler, så utilsigtet start ikke er mulig. Kontrollér, at afbryderkontakten står på slukket, inden værktøjet tilsluttes strømkilden og/eller batteriet, samles op eller bæres.** Når elektrisk værktøj bæres med fingeren på kontakten eller tilsluttes, når kontakten er tændt, giver det anledning til ulykker.
- d. **Fjern indstillingsnøgle eller skruenøgle, inden elværktøjet startes.** En skruenøgle eller anden nøgle, der bliver siddende på en roterende del af elektrisk værktøj, kan forårsage kvæstelser.
- e. **Stræk dig ikke for langt. Hold hele tiden en god fodstilling og balance.** Dette udgør at du har bedre kontrol over det elektriske værktøj, når uventede situationer opstår.
- f. **Brug egnet arbejdstøj. Bær ikke løst tøj eller smykker. Hold dit hår, tøj og handsker væk fra bevægelige dele.** Løstsiddende tøj, smykker eller langt hår kan blive fanget i bevægelige dele.
- g. **Hvis der kan monteres støvudsugnings- og opsamlingsudstyr, skal dette tilsluttes og benyttes korrekt.** Anvendelse af støvopsamlingsudstyr kan begrænse farer forårsaget af støv.
- h. **Lad ikke kendskab fra hyppig brug af værktøjer gøre dig uforsigtig og få dig til at ignorere principperne for værktøjsikkerhed.** En uforsigtig handling kan forårsage alvorlig personskade på en brøkdæl af et sekund.
- 4. Brug og vedligeholdelse af elværktøj**
- a. **Overbelast ikke elværktøjet. Brug det elværktøj, der er bedst egnet til det arbejde, der skal udføres.** Det korrekte elværktøj klarer opgaven bedre og mere sikkert med den effekt, som det er konstrueret til.
- b. **Brug ikke elværktøjet, hvis afbryderkontakten er defekt.** Alt elektrisk værktøj, der ikke kan kontrolleres med kontakten, er farligt og skal repareres.
- c. **Træk stikket ud af stikkontakten og/eller batteriet inden indstilling, tilbehørsudskiftning eller opbevaring af elværktøjet.** Sådanne forebyggende sikkerhedsforanstaltninger mindsker risikoen for, at værktøjet startes utilsigtet.
- d. **Opbevar ubenyttet elværktøj uden for børns rækkevidde. Lad aldrig personer, der ikke er fortrolige med elværktøjet, eller som ikke har læst denne vejledning, benytte maskinen.** El-værktøj er farligt i hænderne på personer, som ikke er instrueret i brugen deraf.
- e. **Elværktøj og tilbehør skal vedligeholdes. Kontroller, om bevægelige dele er skæve og ikke sidder fast, og om delene er brækket eller beskadiget, så elværktøjets funktion påvirkes. Hvis det elektriske værktøj er beskadiget, skal det repareres før brug.** Mange ulykker er forårsaget af dårligt vedligeholdt værktøj.
- f. **Hold skæreværktøj skarpt og rent.** Ordentligt vedligeholdt skæreværktøj med skarpe skærekanter har mindre tilbøjelighed til at binde og er lettere at styre.
- g. **Brug elværktøjet, tilbehøret, værktøjsindsatser osv. i overensstemmelse med disse instruktioner under hensyntagen til arbejdsforholdene og arbejdet, der skal udføres med værktøjet.** Brug af elektrisk værktøj til andre opgaver end dem, det er beregnet til, kan resultere i en farlig situation.
- h. **Hold håndtagene og håndtagsfladerne tørre, rene og fri for olie og fedt.** Glatte håndtag og fedtede håndtagsflader giver ikke en sikker håndtering og kontrol af værktøjet i uventede situationer.
- 5. Brug og pleje af batteriværktøj**
- a. **Genoplad kun med den oplader, som producenten har angivet.** En oplader, der passer til en type batteripakke, kan udgøre en risiko for brand, når den bruges til en anden type.
- b. **Elværktøj må kun bruges med batteripakker, der er beregnet hertil.** Brugen af andre batteripakker kan medføre personskade og brand.
- c. **Når batteripakken ikke er i brug, skal den holdes på afstand af andre metalgenstande, f.eks. papirclips, mønter, nøgler, søm, skruer og andre små metalgenstande, som kan skabe forbindelse mellem de to poler.** Kortslutning af batteriet kan forårsage forbrændinger eller brand.
- d. **Under grove forhold kan væske sive ud fra batteriet; undgå kontakt. Hvis der opstår kontakt ved et uheld, skyl med vand. Hvis væske kommer ind i øjnene, søg**

omgående lægehjælp. Væske, der siver ud fra batteriet, kan fremkalde irriterationer eller forbrændinger.

- e. **Brug ikke en batteripakke eller et værktøj, der er beskadiget eller modificeret.** Beskadigede eller modificerede batterier kan udvise uforudsigelig adfærd, hvilket kan resultere i brand, eksplosion eller risiko for personskade.
 - f. **Udsæt ikke en batteripakke eller et værktøj for ild eller for høj temperatur.** Eksponering for ild eller temperatur på over 130 °C kan forårsage eksplosion.
 - g. **Følg alle opladningsanvisninger, og undlad at oplade batteripakken eller værktøjet uden for det temperaturinterval, der er specificeret i instruktionerne.** En forkert opladning eller opladning uden for det specificerede interval kan beskadige batteriet og øge risikoen for brand.
6. **Service**
 - a. **Lad kun fagkyndige personer reparere elværktøjet og benyt kun originale reservedele.** Derved sikres det, at værktøjets driftssikkerhed opretholdes.
 - b. **Beskadigede batteripakker må aldrig serviceres.** Service af batteripakker bør kun udføres af producenten eller autoriserede serviceudbydere.

Sikkerhedsinstruktioner gældende for alle geringssave

- ◆ **Geringssave er beregnet til at skære træ eller træliggende produkter. De kan ikke bruges med slibende skæreskiver til savning af jernholdigt materiale såsom stænger, stifter osv.** Støv fra slibepulver får dele i bevægelse, såsom den nederste skærm, til at sætte sig fast. Gnister fra slibesikring vil brænde den nederste skærm, savsnitindsatsen og andre dele af plast.
- ◆ **Brug klemmer til at understøtte arbejdsemnet, når det er muligt. Hvis arbejdsemnet understøttes med hånden, skal du altid holde din hånd mindst 100 mm fra hver side af savklingen. Brug ikke denne sav til at skære stykker, der er for små til at blive fastgjort sikkert eller holdt med hånden.** Hvis din hånd anbringes for tæt på savklingen, er der en forhøjet risiko for personskade fra kontakt med klingens.
- ◆ **Arbejdsemnet skal være stationært eller fastgjort eller holdes mod både anslaget og bordet. Undlad at føde arbejdsemnet i klingens eller skære med "fri hånd" på nogen som helst måde.** Ikke fastgjorte arbejdsemner eller arbejdsemner i bevægelse kan slynges ved høje hastigheder og forårsage personskade.
- ◆ **Skub saven gennem arbejdsemnet. Træk ikke saven gennem arbejdsemnet. For at foretage et snit skal du hæve savhovedet og trække det ud over arbejdsemnet uden at save, starte motoren, presse savhovedet ned og skubbe saven gennem arbejdsemnet.** Hvis der saves under trækbevægelsen, vil det sandsynligvis få savklingen til at komme op på toppen af arbejdsemnet og kaste klingesamlingen voldsomt mod operatøren.
- ◆ **Kryds aldrig hånden over den beregnede savlinje, hverken foran eller bag savklingen.** Det er meget farligt at støtte arbejdsemnet "med krydset hånd", dvs. at holde arbejdsemnet til højre for savklingen med din venstre hånd eller omvendt.
- ◆ **Undlad at række bag anslaget med hånden tættere end 100 mm fra hver side af savklingen for at fjerne træstumper eller af en anden årsag, mens klingens roterer.** Nærheden af den roterende savklinge på din hånd er muligvis ikke tydelig, og du kan blive alvorligt skadet.
- ◆ **Inspicer dit arbejdsemne, inden du saver. Hvis arbejdsemnet er bøjet eller forvrænget, skal det fastgøres med den ydre bøjede side mod anslaget. Sørg altid for, at der ikke er noget mellemrum mellem arbejdsemnet, anslaget og bordet langs savlinjen.** Bøjede eller forvrængede arbejdsemner kan dreje eller flytte sig, hvilket kan resultere i, at den roterende savklinge binder, mens der saves. Der bør ikke være søm eller fremmedlegemer i arbejdsemnet.
- ◆ **Brug ikke saven, indtil bordet er fri for alle værktøjer, træstumper osv., bortset fra arbejdsemnet.** Små rester eller løse træstykker eller andre genstande, der kommer i kontakt med den roterende klinge, kan blive kastet væk med høj hastighed.
- ◆ **Sav kun ét arbejdsemne ad gangen.** Flere stablede arbejdsemner kan ikke blive fastgjort eller støttet på passende vis, og de kan binde sig på klingens eller blive forskudt under savning.
- ◆ **Sørg for, at geringssaven er monteret eller placeret på en plan, fast arbejdsflade inden brug.** En plan og fast arbejdsflade reducerer risikoen for, at geringssaven bliver ustabil.
- ◆ **Planlæg dit arbejde. Hver gang du ændrer smig- eller geringsvinkelindstillingen, skal du sikre dig, at afskærmningen er indstillet korrekt til at understøtte arbejdsemnet, og at den ikke forstyrrer klingens eller beskyttelsessystemet.** Uden at sætte værktøjet på "ON" (Tændt) og uden noget arbejdsemne på bordet, skal savklingen bevæges gennem et helt simuleret snit for at sikre, at der ikke opstår interferens eller fare for at save i anslaget.
- ◆ **Lever passende støtte såsom bordforlængelser, savbukke osv. for et arbejdsemne, der er bredere eller længere end bordtoppen.** Arbejdsemner, der er længere eller bredere end geringssavbordet kan vippe, hvis de ikke støttes godt. Hvis det afskårne emne eller arbejdsemne vipper, kan det løfte det nederste skjold eller blive kastet af den roterende klinge.
- ◆ **Brug ikke en anden person som en erstatning for en bordforlængelse eller som ekstra støtte.** En ustabil

støtte af arbejdsmemnet kan få klingen til at binde sig eller få arbejdsmemnet til at blive forskudt under savningen, så du og hjælperen trækkes ind i den roterende klinge.

- ◆ **Det afskårne emne må ikke sætte sig fast eller presses på nogen måde mod den roterende savklinge.** Hvis det er begrænset, dvs. hvis der bruges længdestop, kan det afskårne emne kile sig ind mod klingen og blive kastet voldsomt.
- ◆ **Brug altid en holder eller en fikstur, der er udformet til at støtte runde materialer såsom stænger eller rør korrekt.** Stænger har en tendens til at rulle, mens de saves, hvilket får klingen til at "bide" og trække arbejdet med din hånd ind i klingen.
- ◆ **Lad klingen opnå fuld hastighed før kontakt med arbejdsmemnet.** Dette reducerer risikoen for, at arbejdsmemnet kastes.
- ◆ **Hvis arbejdsmemnet eller klingen sætter sig fast, skal geringssaven slukkes. Vent på, at alle dele i bevægelse stopper, og træk stikket ud af stikkontakten og/eller fjern batteripakken. Arbejd derefter på at frigøre det fastklemt materiale.** Hvis du fortsætter med at save med et fastklemt arbejdsmemne, kan det resultere i tab af kontrol eller beskadigelse af geringssaven.
- ◆ **Når du er færdig med snittet, skal du slippe kontakten, holde savhovedet nede og vente på, at klingen stopper, inden du fjerner det afskårne emne.** Det er farligt at føre din hånd tæt på den kørende klinge.

Ekstra sikkerhedsinstruktioner for geringssave

- ◆ Den tilsigtede anvendelse er beskrevet i denne betjeningsvejledning. Brug af ekstraudstyr eller tilbehør eller udførelse af andre opgaver med dette værktøj end de, der anbefales i denne vejledning, kan medføre risiko for personskade og/eller materiel skade.
- ◆ Brug ikke revnede/bøjede/bskadigede/deformede savklinger.
- ◆ Udskift savsnitpladen hvis den er slidt.
- ◆ Anvend ikke klinger med længere eller mindre diameter end anbefalet. For korrekt vurdering af klinger, se de tekniske data. Brug kun de klinger, der er angivet i denne manual, der opfylder EN 847-1.
- ◆ Brug ikke savklinger af hurtigstål (HS-stål).



Advarsel! Berøring af eller indånding af støvpartikler fra savarbejder kan udgøre en fare for både brugerens og eventuelle tilskuers helbred. Bær en specielt designet støvmaske til beskyttelse mod støv og røg, og sørg for, at personer, der befinder sig på eller kommer ind på arbejdsområdet, også er beskyttet.

- ◆ Arbejd ikke med materiale, der indeholder asbest. Asbest kan være kræftfremkaldende.

- ◆ Bær handsker ved håndtering af savklinger og ru materialer (savklinger bør opbevares i en holder, hvor det er muligt).
- ◆ Bær høreværn for at reducere risikoen for påført høretab.
- ◆ Brug evt. specialudviklede støjrducerende savblade.
- ◆ Bær øjeværn for at reducere risikoen for alvorlig personskade.
- ◆ Brug den medfølgende støvpose ved savning i træ.
- ◆ **Hold kun fast i elværktøjet ved hjælp af de isolerede håndtagsflader, når der skal saves i emner, hvor skæreværktøjet kan berøre skjulte ledninger eller sit eget kabel.** Hvis skæretilbehøret rammer en strømførende ledning, bliver elværktøjets blottagte dele strømførende, så brugeren får stød
- ◆ Vælg den korrekte klinge til det materiale, der skal skæres.
- ◆ Brug ikke maskinen uden påmonteret skjold. Brug ikke maskinen, hvis skjoldet ikke fungerer eller ikke er korrekt vedligeholdt.
- ◆ Sørg for at armen er sikkert fastgjort ved udførelse af smigskæringer.
- ◆ Før hvert savsnit kontroller, at maskinen er stabil.
- ◆ Sørg for, at håndtagene er tørre, rene og fri for olie og fedt.
- ◆ Hold området omkring maskinen ryddeligt og frit for løst materiale som f.eks. spåner og afsavede stykker.
- ◆ Sørg for, at maskinen og arbejdsområdet har tilstrækkeligt generelt eller lokalt lys.
- ◆ Lad ikke uerfarne personer betjene maskinen.
- ◆ Kontroller, at klingen er monteret korrekt før brug. Sørg for at klingen roterer i den korrekte retning. Hold klingens skarp. Følg vejledningen vedrørende smøring og udskifning af tilbehør.
- ◆ Kontroller at den afmærkede hastighed på savklingen mindst svarer til den hastighed, der er afmærket på klassificeringsklingen.
- ◆ Sørg for at alle anvendte afstandsskiver og spindelringe passer til formålet som angivet af Stanley Fat Max.
- ◆ Reparation af savlinjestyresystemet skal udføres af autoriserede værksteder eller af et Stanley Fat Max-værksted.
- ◆ Tag batteriet ud af maskinen, før du udfører vedligeholdelse eller udskifter klingens.
- ◆ Rengør og vedligehold ikke maskinen, og fjern ikke afsavede stumper eller andre dele af arbejdsmemnet fra saveområdet, når maskinen kører, og savhovedet ikke er i hvilestilling.
- ◆ Hvis muligt monter maskinen på en bænk.
- ◆ Kontroller, at alle låseknapper og greb er spændt, før arbejdet påbegyndes.
- ◆ Brug aldrig saven uden bordindsatsen.
- ◆ Forsøg aldrig at stoppe maskinen hurtigt, mens den kører, ved at blokere savbladet med et værktøj eller andet; det kan forårsage alvorlige ulykker.

- ◆ Læs brugervejledningen før anvendelse eller montering af tilbehør. Ukorrekt anvendelse af tilbehør kan medføre skader.
- ◆ Hæv savbladet fra bordindsatsen i arbejdsemnet, før afbryderkontakten slippes.
- ◆ Fastkii ikke noget imod blæseren for at holde motorakslen.
- ◆ Klingens beskyttelsesskærm på din sav vil automatisk blive hævet, når armen føres nedad; den vil blive sænket over hele klingens, når armen hæves. Beskyttelsesskærmen kan hæves manuelt ved af- eller påmontering af savklinger eller ved eftersyn af saven. Hæv aldrig skjoldet manuelt, medmindre der er slukket for maskinen.
- ◆ Kontrollér med jævne mellemrum, at motorens ventilationshuller er rene og fri for skår.
- ◆ Gør ikke advarselsskiltene på elværktøjet ulæselige.
- ◆ Stå ikke på elværktøjet. Der kan opstå alvorlig tilskadekomst, hvis elværktøjet vælter eller ved kontakt med klingens.
- ◆ Rør ikke ved klingens efter arbejde, før den er kølet af. Klingens bliver meget varm under arbejde.
- ◆ For at undgå tilskadekomst forårsaget af materialer, der kastes ud, skal savens batteri tages ud, før mindre dele fjernes.
- ◆ Klingens skjold skal kontrolleres for korrekt funktion før brug og efter vedligeholdelse. Denne test skal udføres, mens saven er slukket og batteriet taget ud. Armen skal hæves og sænkes, for at sikre, at skjoldet dækker klingens, og at klingens ikke rører ved skjoldet. Få elværktøjet serviceret af et kvalificeret værksted, hvis skjoldet ikke fungerer korrekt. Kontakt Stanley Fat Max' kundeservice for at få oplyst nærmeste serviceværksted.
- ◆ Denne geringssav er kun beregnet til savning i træ, plastik og ikke-jernholdigt metal. Anvend ikke saven til at skære i andre materialer end dem, der anbefales af producenten.
- ◆ Rør ikke ved savklingen efter arbejdet, før den er kølet ned. Savklingen bliver meget varm under arbejdet.



Advarsel! Skæring i plastik, safrigt træ og andre materialer kan forårsage, at smeltede materialer akkumuleres på klingespidsene og selve savklingen, hvilket øger risikoen for, at klingens bliver overophedet og binder under skæring.

Andres sikkerhed

- ◆ Denne oplader kan bruges af børn i en alder fra 8 år og derover og personer med nedsatte fysiske, sensoriske eller mentale evner eller manglende erfaring og viden, hvis det sker under overvågning, eller de vejledes i brugen af apparatet på en sikker måde, og de forstår de farer, som er forbundet dermed.

- ◆ Børn må ikke lege med apparatet. Rengøring og brugervedligeholdelse må ikke foretages af børn uden opsyn.

Tilbageværende risici

De følgende risici er uløseligt forbundet med brugen af save: Selv ved overholdelse af relevante sikkerhedsforskrifter og anvendelse af sikkerhedsudstyr kan visse resterende risici ikke undgås. Disse omfatter:

- ◆ Tilskadekomst forårsaget af berøring af roterende/bevægelige dele.
- ◆ Hørenedsættelse.
- ◆ Risiko for uheld forårsaget af udækkede dele af det roterende savblad.
- ◆ Risiko for tilskadekomst ved udskiftning af dele, klinger eller tilbehør.
- ◆ Risiko for at klemme fingre ved åbning af beskyttelsesskærme.
- ◆ Sundhedsrisici forårsaget af indånding af det støv, der udvikles ved savning i træ, især eg, bøg og MDF.
- ◆ Tilskadekomst forårsaget af langvarig brug af et apparat. Husk at holde pause jævnligt ved brug af et apparat i længere tid.

Støj

De angivne værdier for udsendelse af støj er målt iht. standardtestmetoden og kan bruges til at sammenligne ét værktøj med et andet.

De angivne støjemissionsværdier kan også bruges i forbindelse med en foreløbig vurdering af eksponeringen.

Advarsel! Støjemissionerne ved faktisk brug af elværktøjet kan afvige fra de angivne værdier afhængigt af måden, værktøjet anvendes på, især typen af behandlet arbejdsemne.

Advarsel! Bær altid høreværn. Under nogle forhold og varigheden af brug, kan støj fra dette produkt give høretab. Vær opmærksom på de følgende faktorer, som har indflydelse på udsættelse for støj:

- ◆ Brug savklinger, der er designet til at reducere støjudstråling.
- ◆ Brug kun godt slebne savklinger, og
- ◆ Brug specifikt designede støjreducerende savklinger.

Mærkatet på værktøjet

Følgende piktogrammer vises på værktøjet sammen med datokoder:



Advarsel! Brugeren skal læse brugervejledningen for at reducere risikoen for kvæstelser.



Bær sikkerhedsbriller eller beskyttelsesbriller.



Bær høreværn.



Bær en støvmaske.



Dette produkt må ikke bruges af børn under 16 år.



Hold hænderne væk fra klingens.



Håndfrit område – hold fingre og arme væk fra roterende klinger.



Bær handsker ved håndtering af savblade.



Kig ikke ind i lampen, når den er tændt.

Yderligere sikkerhedsvejledninger for batterier og ladere

Advarsel! Apparatet må kun bruges med den medfølgende strømforsyningsenhed.

Bemærk: Værktøjets driftstemperaturområde anbefales til at være mellem 4 °C og 40 °C.

Batterier

- ◆ Forsøg aldrig at åbne den af en eller anden grund.
- ◆ Batteriet må ikke udsættes for vand.
- ◆ Må ikke opbevares på steder, hvor temperaturen kan overstige 40 °C.
- ◆ Foretag kun opladning ved omgivelsestemperaturer mellem 10 °C og 40 °C.
- ◆ Oplad kun ved hjælp af den medfølgende lader.
- ◆ Ved bortskaffelse af batterierne, skal du følge anvisningerne i afsnittet "Beskyttelse af miljøet".



Forsøg ikke at oplade beskadigede batterier.

Opladere

- ◆ Brug kun din Stanley FatMax-lader til at oplade batteriet i det værktøj, som den blev leveret sammen med. Andre batterier kan eksplodere og forårsage kvæstelser og materielle skader.
- ◆ Forsøg aldrig at oplade ikke-genopladelige batterier.
- ◆ Udskift straks defekte ledninger.
- ◆ Opladeren må ikke udsættes for fugt.
- ◆ Opladeren må ikke åbnes.
- ◆ Undersøg ikke opladeren.



Opladeren er kun beregnet til indendørs brug.



Læs brugervejledningen, før værktøjet tages i brug.

Elektricitet og sikkerhed



Opladeren er dobbelt isoleret. Derfor er en jordledning ikke nødvendig. Kontroller altid, at netspændingen svarer til spændingen på typeskiltet. Forsøg aldrig at erstatte opladerenheden med et almindeligt netstik.

- ◆ Hvis netledningen beskadiges, skal den udskiftes af producenten eller et autoriseret Stanley-værksted, så farlige situationer undgås.

Funktioner

Apparatet har nogle eller alle af de følgende funktioner.

1. Udløserkontakt
2. Driftshåndtag
3. Monteringshuller
4. Nederste beskyttelsesskærm
5. Geringsslåseknapp
6. Geringssklinkeknapp
7. Savsnitsplade
8. Geringsskala
9. Geringsskala-indikator
10. Bæregreb
11. Anslag
12. Låsegreb til smigsnit
13. Skinner
- 13a. Velcrostop
14. Støvåbning
15. Batteripakke
16. Arbejdslyskontakt
17. Startspærregreb
18. Skinnelåseskrue
19. Monteringshul på holder
20. Låsestift

Samling (Fig. A)

Din geringssav er en del monteret i kartonen.

- ◆ Åbn boksen, og løft saven ud ved hjælp af bæregrebene (10) i bunden af saven (Fig. A).
- ◆ Anbring saven på en glat, flad overflade såsom en arbejdsbænk eller et stærkt bord.
- ◆ Undersøg monteringsdiagrammet på side 2 i denne vejledning for at blive bekendt med saven og dens forskellige dele. Afsnittet om justeringer refererer til disse vilkår, og du skal vide, hvad og hvor disse dele er.
- ◆ Geringsslåseknappen (5) er ikke monteret til forsendelse. Fjern geringsslåseknappen (5) fra emballagen, og skru den fast på saven, se figur G og K for position.
- ◆ Din sav har en indbygget støvåbning (14), der gør det muligt for enten den medfølgende, men ikke monterede, støvpose (35) eller værkstedsvakuumsystemet at blive tilsluttet (Fig. M).

Savsniplade (Fig. J)

Savsnipladen (7) er monteret på bordet med 6 skruer.

Savsnipladens (7) højde kan ikke justeres.

Bemærk: Hvis savsnipladen (7) er slidt, beskadiget eller skal udskiftes, bør reparationer udføres af autoriserede reparatører eller servicepersonale fra Stanley Fat Max.

Låsestift (Fig. F)

Advarsel! Låsestiften må KUN bruges under transport af eller under opbevaring af saven. Brug ALDRIG låsestiften til nogen savning.

Bemærk: For at løfte, bære og støtte geringsssaven under transport skal du bruge de to bærehåndtag (10), der er placeret på begge sider af geringsssavens bund (Fig. A).

Du låser savhovedet i nedadvendt position ved at skubbe savhovedet nedad, skubbe låsestiften (20) ind og udløse savhovedet. Dette vil holde savhovedet sikkert nede for transport af saven fra et sted til et andet. Du udløser ved at trykke savhovedet nedad og trække stiften ud.

Advarsel! Sørg altid for, at værktøjet er slukket, og at batteriet er taget ud af værktøjet, inden du justerer eller kontrollerer værktøjets funktion.

Opladning af et batteri (fig. B)

Stanley Fat Max-ladere er udformet til at oplade Stanley Fat Max-batteripakker.

- ◆ Indsæt opladeren (21) i en passende udgang, før der isættes en batteripakke (15).
- ◆ Indsæt batteripakken (15) i opladeren og kontrollér, at batteripakken sidder godt fast i batterisprækkerne (Figur B).



LED-lampen (21a) blinker for at vise, at batteriet oplades.



Når opladningen er færdig, vil det blive angivet af LED-lampen, som vil lyse konstant. Pakken er fuldt opladet og kan nu anvendes eller kan efterlades i opladeren.

- ◆ Genoplad afladene batterier så hurtigt som muligt efter brug, da batteriets levetid ellers kan blive stærkt formindsket.
- ◆ For længste batterilevetid, aflad ikke batterierne helt. Opladning af batterierne efter hver brug anbefales.

Opladerdiagnostik (fig. C)

Denne oplader er udformet til at detektere visse problemer, der kan opstå med batteripakkerne eller strømkilden. Problemer angives med et LED blink i forskellige mønstre.

Dårligt batteri



Opladeren kan registrere et svagt eller beskadiget batteri. LED blinker i det mønster der er angivet på mærkaten. Hvis du ser

dette dårlige batteriblinkmønster, forsæt ikke med at oplade batteriet. Returnér det til et servicecenter eller til et indsamlingssted til genbrug.

Varm/kold pakkeforsinkelse



Når opladeren registrerer et batteri, der er alt for varmt eller alt for koldt, starter den automatisk en varm/kold pakkeforsinkelse og indstiller opladningen, indtil batteriet er blevet normaliseret. Efter dette

er sket, skifter opladeren automatisk til pakkeopladningsfunktionen. Denne funktion sikrer maksimal batterilevetid. Lampen blinker i det mønster, der er angivet på mærkaten.

Lad batteriet blive siddende i opladeren

Du kan lade batteripakken sidde i laderen med tændt LED, så længe det ønskes. Opladeren holder batteripakken frisk og helt opladet. Denne oplader indeholder en automatisk optuningstilstand, som er lige med eller skaber balance i de enkelte celler i batteripakken, så den kan fungere ved maks. kapacitet. Batteripakker bør tunes op hver uge, eller hver gang batteriet ikke længere giver den samme mængde arbejde. For at bruge den automatiske optuningstilstand skal batteripakken placeres i opladeren og efterlades i mindst 8 timer.

Vigtige bemærkninger om opladning

- ◆ Den længste levetid og den bedste ydeevne kan opnås, hvis batteripakken oplades, når lufttemperaturen er mellem 18 °C – 24 °C. Oplad IKKE batteripakken ved en lufttemperatur under +4,5 °C eller over +40 °C. Dette er vigtigt og vil forhindre alvorlig beskadigelse af batteripakken.
- ◆ Opladeren og batteripakken kan blive for varm at røre ved under opladning. Dette er en normal tilstand, og angiver ikke et problem.
- ◆ For at lette køling af batteripakken efter brug, undgå at placere opladeren eller batteripakken i varme omgivelser, som f.eks. i et metalskur eller i en uisolert trailer.
- ◆ Hvis batteripakken ikke oplades ordentligt:
 - ◆ Kontroller kontaktens funktion ved at tilslutte en lampe eller et andet apparat;
 - ◆ Kontroller, om kontakten er sluttet til en lyskontakt, som slår strømmen fra, når du slukker for lyset;
 - ◆ Flyt opladeren og batteripakken til et sted, hvor den omgivende lufttemperatur er ca. 18 °C – 24 °C;
 - ◆ Hvis opladningsproblemerne fortsætter, skal du tage værktøjet, batteripakken og opladeren til dit lokale servicecenter.
- ◆ Batteripakken skal genoplades, hvis den ikke producerer tilstrækkelig strøm ved opgaver, den let kunne udføre førhen. FORTSÆT IKKE med at bruge den under disse forhold. Følg opladningsproceduren. Du kan også oplade en delvist brugt pakke, når du ønsker det uden nogen negativ indflydelse på batteripakken.

- ◆ Fremmedlegemer af en ledende type såsom, men ikke begrænset til, slibestøv, metalspåner, ståluld, aluminiumsfolie eller opbygning af metalliske partikler bør også holdes på afstand af opladerhulrum. Træk stikket til opladeren ud før forsøg på at rengøre den.
- ◆ Frys ikke eller nedsænk opladeren i vand eller andre væsker.

Isætning og udtagning af batteriet (fig. D, E)

- ◆ Anbring batteriet (15) ud for værktøjets fatning (22) for at isætte batteriet. Lad batteriet glide ind i fatningen, og skub, indtil batteriet går på plads.
- ◆ For at fjerne batteriet skal du trykke på batteriudløserknappen (15a) og samtidigt trække batteriet ud af koblingsstikket, som vist på ill. E.

Ændring eller montering af en ny savklinge (Fig. G, H, I)

Advarsel! For at mindske risikoen for alvorlige personskader, skal du slukke for værktøjet og tage batteriet ud, før du transporterer det, foretager justeringer eller fjerner/installerer tilbehør. Start ved et uheld kan medføre skader.

Udskiftning af klinge

- ◆ Tag batteripakken (15) ud af saven.
- ◆ Hæv armen til den øverste position og hæv den nederste beskyttelsesskærm (4) så meget som muligt.
- ◆ Løsn, men fjern ikke afskærmningsbeslagets forreste skrue (24), indtil beslaget (25) kan hæves nok til at få adgang til klingeskruen (26). Den nederste afskærmning vil forblive hævet pga. afskærmningsbeslagets skrue.
- ◆ Tryk spindellåseknappen (28) ned, mens savklingen (29) drejes forsigtigt, indtil låsen falder i hak.
- ◆ Mens knappen holdes nede, brug den anden hånd og den leverede nøgles sekskantede side til at løsne klingeskruen (26). (drej venstre gevind med uret.)
- ◆ Fjern klingeskruen (26) ved hjælp af den leverede nøgles sekskantskrue, den ydre spændeskive (30) og klingen (29). Den indvendige spændeskive (31) kan blive sidende på spindlen (32).

Isætning af en klinge

- ◆ Tag batteripakken (15) ud af saven.
- ◆ Mens armen er hævet, den nederste afskærmning (4) holdt åben og afskærmningsbeslaget (25) hævet, skal klingen (29) placeres på spindlen (32) og mod den indvendige klingeklampe (31) med tænderne på klingen pegende mod rotationen, som mærket på saven.
- ◆ Monter den udvendige spændeskive (30) på spindlen (32).
- ◆ Installer klingeskruen (26) og spænd, idet spindellåsen (28) aktiveres, skruen (26) godt fast med den leverede skruetrækker (drej venstre gevind mod uret).

- ◆ Sæt afskærmningsbeslaget (25) tilbage til dets oprindelige helt nedadvendte position (24) for at holde beslaget på plads.

Savlinjestyresystem

Advarsel! Kig ikke ind i arbejdslyset. Der kan ske alvorlige øjenskader.

Bemærk: Batteriet skal være opladet og sluttet til geringsaven.

Savlinjestyresystemet kan kun slås til eller fra på arbejdslyskontakten (16).

For at skære gennem en eksisterende blyantstreg på et stykke træ skal du tænde for savlinjestyresystemet med arbejdslyskontakten (16) (ikke med hovedudløser), og træk derefter ned i driftshåndtaget (2) for at bringe savklingen tæt på træet. Klingens skygge vil blive vist på træet. Denne skyggelinje repræsenterer materialet, som klingen vil fjerne, når der foretages et snit.

For at placere dit snit på blyantslinjen korrekt skal blyantslinjen nivelleres med kanten af klingens skygge. Vær opmærksom på, at det kan være nødvendigt at justere gerings- eller smigvinklerne til nøjagtigt at matche blyantstregen.

Din sav er udstyret med en batterifejlfunktion. Arbejdslyset begynder at blinke, når batteriet nærmer sig slutningen af dens anvendelige opladning, eller når batteriet er for varmt. Oplad batteriet, inden du fortsætter med savning.

Se opladningsproceduren under Vigtige sikkerhedsinstruktioner for batteripakke for instruktioner om batteriopladning.

Geringsregulering (fig. J)

Med geringslåseknappen (5) og geringsklinkeknappen (6) kan du save i gering til 47° til højre og 47° til venstre. Geringssaven vil automatisk finde 0°, 15°, 22.5°, 31.6° og 45° såvel til venstre som højre. For at gere saven skal geringslåsemekanismen låses op ved at dreje geringslåseknappen (5) mod uret for at låse op og med uret for at låse. Træk geringsklinkeknappen (6) op, og indstil den ønskede geringsvinkel på geringskalaen (8). Lås geringslåseknappen (5) ved at dreje med uret.

Smigslåsegreb (Fig. K)

Med smigslåsen kan du save i smig 48° til venstre. Du justerer smigindstillingen ved at dreje smigslåsegrebet (12) mod uret for at løsne. Du spænder ved at dreje smigslåsegrebet med uret.

Forsigtig! Fare for knibning. Sørg for at stramme låsegrebet til smigsnit, inden du justerer tilsidesætninger.

Udløserkontakt (fig. N)

Tænd for saven ved at skubbe startspærregrebet (17) til venstre og derefter trykke på startknappen (1). Saven kører, mens kontakten trykkes ned. Lad klingen rotere op til fuld driftshastighed, inden du foretager snittet. Sluk for saven ved at slippe kontakten. Lad klingen stoppe, inden du hæver

savhovedet. Kontakten kan ikke låses i aktiveret stilling. Der er et hul (1a) i udløseren til isætning af en hængelås for at låse for kontakten.

Din sav er ikke udstyret med en automatisk elektrisk klingebremse, men savklingen bør stoppe inden for 5 sekunder efter frigørelsen af udløseren. Dette kan ikke justeres. Hvis stop-tiden gentagne gange overstiger 5 sekunder, skal værktøjet efterses af et autoriseret Stanley FatMax-servicecenter.

Sørg altid for, at klingen er stoppet, inden du fjerner den fra savsnittet.

Støvopsamling (Fig. M)

Advarsel! For at mindske risikoen for alvorlige personskader, skal du slukke for værktøjet og tage batteriet ud, før du transporterer det, foretager justeringer eller fjerner/installerer tilbehør. Start ved et uheld kan medføre skader.

Din sav har en indbygget støvåbning (14), der gør det muligt for enten den medfølgende støvpose (35) eller et værktøjsdets-vakuumsystem at blive tilsluttet.

Sådan fastgøres støvposen

- ◆ Monter støvposen (35) i støvåbningen (14), som vist på figur M.
- ◆ Et vakuummør (38 - medfølger ikke) kan monteres på støvåbningen (14) i stedet for støvposen (35). Dette kan gøres ved at sætte dit vakuummør (38) i stedet for støvposen (35), se figur M.
- ◆ Brug velcrostroppen (13a) til at holde dit vakuummør (38) væk fra glideskinnerne (13), mens du betjener saven.

Bemærk: Velcrostroppen (13a) er ikke et bærehandtag og bør ikke bruges til at flytte eller transportere saven.

Sådan tømmes støvposen

- ◆ Fjern støvposen (35) fra saven, og ryst eller tryk forsigtigt på støvposen for at tømme den.
- ◆ Sæt støvposen tilbage på støvåbningen (14).

Du vil måske bemærke, at ikke alt støv kommer fri af posen. Dette vil ikke påvirke skæreydelsen, men vil reducere effektiviteten af savens støvopsamling. Hvis du vil gendanne effektiviteten for din savs støvopsamling, skal du trykke på fjederen inde i støvposen, når du tømmer den, og banke den på siden af skraldespanden eller støvbeholderen.

Advarsel! Betjen aldrig denne sav, med mindre støvposen sidder på plads. Træstøv kan udgøre en fare for åndedrættet.

Savning med din sav

Hvis skubbefunktionen ikke anvendes, kontrollér at savhovedet er skubbet så langt tilbage som muligt, og at skinnelåseskruen (18) er strammet. Dette vil forhindre, at saven glider langs med skinnerne, når arbejdsområdet tilkobles.

Bemærk: SAV IKKE JERNHOLDIGE METALLER ELLER MURVÆRK MED DENNE SAV (IKKE JERNHOLDIGE

METALLER KAN SAVES AF DENNE SAV). Anvend ingen slibelameller.

Bemærk: Se beskyttelseskærmens aktivering og sigtbarhed i justeringsafsnittet for vigtige oplysninger om den nederste afskærmning, inden du saver.

Tværsnit (fig. N)

Et tværsnit laves ved at save træ på tværs af årene i hvilken som helst vinkel. Et lige tværsnit laves med geringsarmen ved nul graders positionen. Indstil og lås træet fast til bordet og imod anslaget. Med skinnelåseskruen (18) spændt, tænd for saven ved at trykke på udløserkontakten (1).

Når saven kommer op i hastighed (ca. 1 sekund), sænk armen jævnt og sav langsomt gennem træet. Lad klingens komme til et fuldt stop, før armen hæves.

Ved savning af noget længere end 2 x 4 (51 x 102), brug en ned- og tilbagebevægelse med skinnelåseskruen (18) løsnet. Træk saven ud, mod dig, sænk savhovedet ned mod arbejdsområdet, og skub langsomt saven tilbage for at gennemføre snittet. Lad ikke savklingen komme i kontakt med det øverste af arbejdsområdet, når den trækkes ud. Saven kan køre mod dig og muligvis forårsage personskade eller beskadigelse af arbejdsområdet.

Advarsel! Brug altid en arbejdsholder til at opretholde kontrol og reducere risikoen for beskadigelse af arbejdsområdet og personskade, hvis dine hænder skal være inden for 152 mm (6") af klingens under snittet.

Bemærk! Skinnelåseskruen (18) skal være løs, for at saven kan glide langs dens skinner.

Geringstværsnit foretages med geringsarmen ved en anden vinkel end nul.

Denne vinkel er tit 45° for savning af hjørner, men kan indstilles overalt fra nul til 47° venstre eller 47° højre. Foretag snittet som beskrevet ovenfor.

Under udførelse af et snit på arbejdsområdet, der er bredere end 2 x 6, der er kortere i længden, anbring altid den længste side imod anslaget (Fig. N).

For at skære gennem en eksisterende blyantstreg på et stykke træ skal vinklen matche så tæt som muligt. Sav træet lidt for langt, og mål far blyantslinjen til savkanten for at afgøre i hvilken retning, geringsvinklen og gensenittet skal foretages. Dette tager noget øvelse, men det er en almindeligt anvendt teknik.

Smignisnit

En fassavning er et tværsnit foretaget med savklingen hældende i en vinkel til træet. For at indstille smigen skal du løsne låsegrebet til smignisnit (12) og bevæge saven til venstre, som ønsket. Når den ønskede smigvinkel er blevet indstillet, skal smigilåsen strammes godt. Smigvinkler kan indstilles fra 3° til højre til 48° til venstre.

Snitkvalitet

Et snits glathed afhænger af en række variabler. Ting som materiale, der saves, klingetype, klingens skarphed og snithastigheden bidrager alle til snittets kvalitet. Hvis du ønsker meget glatte snit til kantprofiler og andet præcisionsarbejde, vil en skarp (60-tandet hårdmetalspids) klinge og en langsommere, jævn snithastighed frembringe de ønskede resultater. Kontrollér, at materialet ikke flytter sig eller kryber under skæring; spænd det godt på plads.

Lad altid klingens komme til et fuldt stop, før armen hæves. Hvis der stadig er små træsplinter, som stikker ud af enden på arbejdsemnet, sæt et stykke afdækningstape på træet, hvor snittet skal være. Sav gennem tapen og fjern omhyggeligt tapen efter afslutning.

For forskellige savanvendelser henvises der til listen over anbefalede savklinger til din sav, og at der vælges den, som passer bedst til behovene. Se Savklinger under Valgfrit tilbehør.

Krops- og håndposition (fig. O1–O4)

Korrekt placering af din krop og hænder under arbejde med geringssaven, vil gøre det lettere at skære mere nøjagtigt og mere sikkert. Hold hænderne på afstand af skæreområdet. Anbring aldrig hænderne tættere end 152 mm (6") fra klingens. Hold arbejdsemnet tæt imod bordet og anslaget under skæring. Hold dine hænder i denne position, indtil udløseren er blevet udløst, og armen helt er stoppet.

FORETAG ALTID TØRKØRSLER (UDEN STRØM), FØR DU AFSLUTTER SNIT, SÅ DU KAN KONTROLLERE KLINGENS STI. KRYDS IKKE HÆNDERNE SOM VIST I FIGUR O3.

Hold begge fødder solidt plantet på gulvet og oprethold en korrekt balance. Når du flytter geringsarmen til venstre og højre, følg den og stå lidt til siden for savklingen. Se gennem lamellerne i skjoldet, når du følger en blyantslinje.

Fastspænding af arbejdsemnet

Advarsel! For at mindske risikoen for alvorlige personskader, skal du slukke for værktøjet og tage batteriet ud, før du transporterer det, foretager justeringer eller fjerner/installerer tilbehør. Start ved et uheld kan medføre skader.

Advarsel! Et arbejdsemne, der er fastspændt, afbalanceret og sikkert før et snit, kan komme ud af balance, efter snittet er afsluttet. En ikke afbalanceret last kan vippe saven eller det, saven er fastgjort til, såsom et bord eller en arbejdsbænk. Ved udførelse af et snit, der kan komme ud af balance, understøt arbejdsemnet korrekt og kontrollér, at saven er fastboltet til en stabil overflade. Det kan resultere i personskade.

Advarsel! Fastspændingsfoden skal forblive fastspændt over savfundamentet, hver gang holder anvendes. Fastspænd altid arbejdsemnet til savfundamentet – ikke til andre dele

af arbejdsområdet. Kontrollér at fastspændingsfoden ikke er fastspændt på hjørnet af savfundamentet.

Advarsel! Brug altid en arbejdsholder til at opretholde kontrol og reducere risikoen for beskadigelse af arbejdsemnet og personskade, hvis dine hænder skal være inden for 152 mm (6") af klingens under snittet. Hvis du ikke kan fastgøre arbejdsemnet på bordet eller mod anslaget med hånden (uregelmæssig form osv.), eller hvis din hånd ville være mindre end 152 mm (6") fra klingens, skal der anvendes en holder eller en anden fikstur.

Brug materialeholderen leveret sammen med din sav. For at købe en materialeholder skal du kontakte din lokale forhandler eller et Stanley FatMax-servicecenter.

Andre hjælpemidler som fx fjederholdere, stangholdere eller C-holdere kan være velegnede for bestemte materialestørrelser og -former. Vær forsigtig, når du udvælger og placerer disse holdere. Brug tid på at foretage en tørkørsel, inden du foretager snittet.

Sådan installeres holderen (fig. P)

- ◆ Isæt holderen (37) i hullet (19) bag anslaget. Holderen skal vende mod geringssavens bagside. Rillen på holderstangen bør være helt indsat i fundamentet. Sørg for, at rillen er helt indsat i geringssavens fundament. Hvis rillen er synlig, vil holderen ikke være sikker.
- ◆ Drej holderen 180° imod geringssavens forside.
- ◆ Løs knappen for at justere holderen op eller ned, og brug derefter finjusteringsgrebet til at fastgøre arbejdsemnet.

Bemærk: Anbring holderen på den modsatte side af fundamentet under smigskæring. FORETAG ALTID TØRKØRSLER (UDEN STRØM), FØR DU AFSLUTTER SNIT, SÅ DU KAN KONTROLLERE KLINGENS STI. SØRG FOR AT HOLDEREN IKKE FORSTYRRER SAVENS ELLER BESKYTTELSESKÆRMENES FUNKTIONER.

Justeringer

Din geringssav blev fuldstændigt og nøjagtigt justeret på fabrikken under produktionen. Hvis omjustering er nødvendig på grund af forsendelse og håndtering eller af anden årsag, følg trinene nedenfor til at justere din sav. Når de først er foretaget, vil disse justeringer forblive nøjagtige. Brug lidt tid på at følge disse anvisninger omhyggeligt for at bevare den nøjagtighed, din sav har.

Justering af geringsskala (fig. Q1)

Lås armen i ned-position. Lås geringslåseknappen (5) op, og sving geringsarmen, indtil geringslåseknappen (6) låser den i 0° geringsposition. Lås ikke geringslåseknappen. Anbring en firkant imod savens anslag og klinge som vist. (Berør ikke savklingens spidser med firanten. Hvis du gør det, medfører det unøjagtige målinger.)

Hvis savklingen ikke er helt vinkelret med anslaget, skal du løsne og flytte materialeanslaget, indtil klingen er vinkelret med anslaget, som målt med firkanten. Vær ikke opmærksom på aflæsningen af geringsmarkøren på dette tidspunkt.

Justering af smigfirkanten i forhold til bordet (Fig. Q2)

Du retter klinge-firkanten i efter bordet ved at låse armen i nedad position med låsestiften (20). Anbring en firkant imod klingen, idet du sikrer, at firkanten ikke sidder på toppen af en tand. Løsn smiglåserebet (5) og kontrollér, at armen sidder fast imod 0° smigstoppet. Drej 0° smigjusteringskruen med 12,7 mm (1/2") kontakten (medfølger ikke) om nødvendigt, så klingen er ved 0° smig i forhold til bordet, som målt med firkanten.

Beskyttelsesskærmens aktivering og sigtbarhed (Fig. V)

Advarsel! Fare for knibning. For at reducere risikoen for personskade skal du holde tommelfingeren under driftshåndtaget, når du trækker håndtaget ned. Den nederste beskyttelsesskærm bevæger sig op, når driftshåndtaget er trukket ned, hvilket kan forårsage knibning.

Den nederste beskyttelsesskærm (4) på din sav er designet til automatisk at afdække klingen, når armen køres ned og til at dække klingen, når armen hæves.

Inden og efter hver justering skal armen køres (uden strøm), og det skal sikres, at beskyttelsesskærmen åbnes problemfrit og lukkes helt. Den må ikke komme i kontakt med klingen. Med armen oppe skal du hæve beskyttelsesskærmen (uden strøm), som vist på figur V, og slippe. Skærmen bør lukke helt hurtigt.

Arbejd ikke med saven, hvis beskyttelsesskærmen ikke kan bevæges frit og lukke helt hurtigt. Undlad at spænde eller binde skærmen i en åben position, når du betjener saven. Beskyttelsesskærmen kan hæves manuelt ved af- eller påmontering af savklinger eller ved eftersyn af saven. **HÆV ALDRIG DEN NEDERSTE BESKYTTELSSESKÆRM MANUELT MEDMINDRE KLINGEN ER STOPPET.**

Bemærk: Visse specielle snit af store materialer kræver, at du hæver skærmen manuelt. Se skæring af stort materiale under specielle snit.

Den forreste del af beskyttelsesskærmen er forsynet med en lamelbeskyttet åbning for sigtbarhed under skæring. Selvom lamellerne reducerer flyvende rester dramatisk, er de åbninger i skærmen, og der bør altid bæres beskyttelsesbriller.

Skinnestyrer

Kontrollér skinnerne (13) regelmæssigt for slør eller frigang. Skinnerne kan rengøres med en tør rensklud.

Savning af billedrammer, skyggebokse og andre firesidede projekter (Fig. R1, R2)

For bedst at forstå hvordan de angivne ting laves, anbefaler vi, at du prøver nogle få simple projekter med træstumper, indtil du får en "fornemmelse" for din sav.

Din sav er det perfekte værktøj til gerings-savning af hjørner som den, der er vist i Figur R1. Skitse A i Figur R2 viser en sammenføjning lavet ved hjælp af smigjusteringen for smigning af kanterne af de to plader ved 45° hver for at producere et 90° hjørne. Til denne sammenføjning blev geringsarmen låst i nul position, og smigjusteringen blev låst ved 45°. Træet blev placeret med den brede flade side imod bordet og det snævre hjørne imod anslaget. Snittet kan også laves med geringskæring til højre og venstre med den brede overflade imod anslaget.

Skæring af kantprofiler og andre rammer (fig. R2)

Skitse B i figur R2 viser en samling, der er lavet ved at indstille geringsarmen ved 45° til at gøre de to plader sammen til at danne et 90° hjørne. Du laver denne type sammenføjning ved at indstille smigjusteringen til nul og geringsarmen til 45°. Anbring igen træet med den brede flade side imod bordet og det snævre hjørne imod anslaget.

Figur R1 og R2 er kun til firesidede genstande.

Når antallet af sider ændres, ændres også gerings- og smigvinklerne. Skemaet nedenfor angiver de korrekte vinkler til forskellige former.

Eksempler

| Antal sider | Gerings- eller smigvinkel |
|-------------|---------------------------|
| 4 | 45° |
| 5 | 36° |
| 6 | 30° |
| 7 | 25,7° |
| 8 | 22,5° |
| 9 | 20° |
| 10 | 18° |

Skemaet antager, at alle sider er lige store. Til en form, der ikke vises i oversigten, brug følgende formuler: 180° divideret med antallet af sider er lig med gerings- (hvis materialet er skåret vertikalt) eller smigvinklen (hvis materialet er skåret liggende fladt).

Skæring af kombinerede geringsnit (fig. R3)

Et kombineret geringsnit er et snit, der laves ved brug af en geringsvinkel og en smigvinkel på same tid. Det er denne type snit, der bruges til at lave rammer eller kasser med skrånede sider som den, der er vist i figur R3.

Bemærk: Hvis skærevinklen varierer fra snit til snit, kontroller at smigslåsegrebet og geringslåsehåndtaget er korrekt låste. De skal være låste, efter der er foretaget nogen ændringer af smig eller gering. Oversigten i slutningen af denne vejledning (Tabel 1) vil hjælpe dig med at vælge de korrekte smig- og geringsindstillinger for fælles kombinerede geringssnit. Du bruger oversigten ved at vælge den ønskede vinkel A (Fig. R3) på dit projekt og finde denne vinkel på den passende bue i oversigten. Fra dette punkt følg oversigten lige ned for at finde den korrekte smigvinkel og lige over for at finde den korrekte geringsvinkel.

Indstil din sav til de foreskrevne vinkler og foretag et par prøvesnit. Øv dig i at sætte de skårede stykker sammen, indtil du får en fornemmelse af denne procedure og føler dig tryk ved den.

Eksempel: Du laver en 4-sidet kasse med 26° udvendige vinkler (vinkel A, Fig. R3), ved at bruge den øverste højre bue. Find 26° på bueskalaen. Følg den horisontale gennemskårne linje til hver side for at få geringsvinkelindstillingen på saven (42°). Følg på same måde den vertikale gennemskårne linje til toppen eller bunden for at få smigvinkelindstillingen på saven (18°). Forsøg altid at skære på nogle få træstumper for at bekræfte indstillingerne på saven.

Skæring af bundkantlister (fig. S)

Lige 90° snit:

Anbring træet mod anslaget og hold det på plads, som vist på figur S. Tænd for saven, lad klingens nå sin fulde hastighed, og sænk armen jævnt gennem snittet.

Skæring af bundkantlister op til 90 mm (3,5") højt vertikalt mod anslaget

Placer materialet, som vist i figur S. Alle snit skal laves på kantlisterens bagside vendt imod anslaget og med bunden af kantlisterne vendt imod bordet.

| | Inde i hjørnet | Uden for hjørnet |
|--------------|---|---|
| Venstre side | Gering venstre 45° Gem venstre side af savningen | Gering højre 45° Gem venstre side af savningen |
| Højre side | Gering højre 45° Gem højre side af savningen | Gering venstre 45° Gem højre side af savningen |

Materiale op til 90 mm (3,5") kan skæres som beskrevet ovenfor.

Skæring af kronekantlister

For korrekt tilpasning skal kronekantlister være kombineret geret sammen med stor nøjagtighed.

De to plane overflader på et bestemt stykke kronekantlister er ved vinkler, der – når de lægges sammen – er lig med præcis 90°. De fleste, men ikke alle, kronekantlister har en øverste bagvinkel (sektionen, der passer fladt mod loftet) på

52° og den nederste bagvinkel (den del, der passer fladt mod væggen) på 38°.

Din geringssav har specielle forudindstillede geringslåsepunkter på 31,6° til venstre og højre for skæring af kronekantlister ved den korrekte vinkel. Der er også et mærke på smigskalaen ved 33,8°.

Tabellen med smigindstilling/typen af snit angiver de korrekte indstillinger for skæring af kronekantlister. (Tallene for gerings- og smigindstillingerne er meget præcise og er ikke nemme at indstille nøjagtigt på din sav.) Eftersom de fleste rum ikke har vinkler på præcis 90°, skal du alligevel finjustere dine indstillinger.

Instruktioner om skæring af fladtliggende kronekantlister og brug af kombinerede funktioner

- ◆ Læg kantlister med bred bagoverflade fladt ned på savbordet (36) (fig. T1).
- ◆ Indstillingerne herunder er for alle standard kronekantlister med 52° og 38° vinkler.

| Smigindstilling | Type snit |
|-----------------|---|
| 33,8° | VENTRE SIDE, INDE I HJØRNET: 1. Top af kantliste mod anslag 2. Geringsbord stillet højre 31,62° 3. Gem venstre ende af savningen |
| 33,8° | HØJRE SIDE, INDE I HJØRNET: 1. Bund af kantliste mod anslag 2. Geringsbord stillet venstre 31,62° 3. Gem venstre ende af savningen |
| 33,8° | VENTRE SIDE, UDEN FOR HJØRNET: 1. Bund af kantliste mod anslag 2. Geringsbord stillet højre 31,62° 3. Gem højre ende af savningen |
| 33,8° | HØJRE SIDE, UDEN FOR HJØRNET: 1. Top af kantliste mod anslag 2. Geringsbord stillet højre 31,62° 3. Gem højre ende af savningen |

Bemærk: Ved indstilling af smig- eller geringsvinkler for alle kombinerede geringssnit skal du huske, at alle vinkler præsenteret for kronekantlister er meget præcise og svære at indstille præcis. Eftersom de nemt kan blive forskudt en smule, og meget få rum har præcise firkantede hjørner, bør alle indstillinger testes på kantlisterester.

Alternativ metode for skæring af kronekantlister

Anbring kantlisten på en vinkel mellem anslaget (11) og savbordet (36), med den øverste side af kronekantlisten på bordet, og den nederste side af kronekantlisten på anslaget, som vist på figur T1.

Fordelen ved at skære kronekantlister med denne metode er, at der ikke kræves nogen fassavning. Sidste øjeblikke ændringer af geringsvinklen kan laves uden at berøre smigvinklen. Når du støder på andre hjørner end 90°, kan saven på denne måde hurtigt og let justeres til dem.

Instruktioner for skæring af kantlister vinklet mellem anslaget og savfundamentet for alle snit

Denne sav kan skære op til 14 mm (9/16") x 92 mm (3-5/8") kronekantlister indlejret.

- ◆ Anbring kantlisten på skrå, så bunden på kantlisten (del, der går imod væggen, når den er installeret) vender imod anslaget (11), og det øverste af kantlisten hviler på savbordet (36), som vist i figur T2.
- ◆ De skråstillede "flader" bag på kantlisten skal hvile kvadratisk på anslaget og savbordet (36).

| | Inde i hjørnet | Uden for hjørnet |
|--------------|---|---|
| Venstre side | Gering højre ved 45° Gem højre side af savningen | Gering venstre ved 45° Gem højre side af savningen |
| Højre side | Gering venstre ved 45° Gem venstre side af savningen | Gering højre ved 45° Gem venstre side af savningen |

Specielle snit

Lav aldrig nogen snit undtagen materialet er sikret på bordet og imod anslaget.

Bøjet materiale (fig. U1, U2)

Ved skæring i bøjet materiale, anbring det altid som vist i figur U1 og aldrig som vist i figur U2. Ukorrekt anbringelse af materialet vil få klingene til at blokere nær afslutningen af snittet.

Skæring af rundt materiale

Rundt materiale skal være fastgjort eller holdt fast til anslaget for at forhindre det i at rulle. Dette er meget vigtigt ved udførelse af vinkelsnit.

Fastspænding af lange materialer (fig. V)

En gang imellem vil du støde på et stykke træ, der er lidt for stort til at passe ind under den laveste beskyttelsesskærm. For at rydde skærmen over træet, med saven slukket og din højre hånd på driftshåndtaget, skal du placere den højre tommelfinger uden for den øverste del af skærmen og rulle skærmen op nok til at rydde træet, som vist i figur V. Slip skærmen, inden motoren startes. Skærmmekanismen vil fungere korrekt under snittet. Gør kun dette, når det er nødvendigt.

BIND, TAPE ELLER FASTHOLD ALDRIG BESKYTTELSSESKÆRMEN ÅBEN UNDER ARBEJDE MED DENNE SAV.

Vedligeholdelse

Advarsel! For at mindske risikoen for alvorlige personskader, skal du slukke for værktøjet og tage batteriet ud, før du transporterer det, foretager justeringer eller fjerner/installerer tilbehør. Start ved et uheld kan medføre skader.

Advarsel! For at reducere risikoen for alvorlig personskade, berør IKKE de skarpe punkter på klingene med fingrene eller hænder under udførelsen af nogen vedligeholdelse. Anvend IKKE smøremidler eller renser (specielt spray eller aerosol) i nærheden af plastikbeskyttelsesskærmen. Det polykarbonat materiale, der anvendes i beskyttelsesskærmen, kan angribes af bestemte kemikalier.

- ◆ Alle lejer er forsegledede. De er smurt for livet og har ikke brug for yderligere vedligeholdelse.
- ◆ Udrens med mellemrum al støv og alle træspåner fra rundt om OG UNDER fundamentet og rotationsbordet. Selvom der er sprækker, så rester kan passere gennem, vil der blive akkumuleret noget støv.
- ◆ Børsterne er udformet til at give dig adskillige års anvendelse. Hvis de nogensinde har brug for at blive repareret, skal værktøjet leveres til reparation på det nærmeste servicecenter.

Problemløsning

| Problem | Mulig årsag | Løsning |
|--|--|---|
| Saven vil ikke starte. | Batteriet er ikke installeret. | Installer batteri. Se Installation og fjernelse af batteripakke. |
| | Batteri ikke opladet. | Oplad batteriet. Se Opladningsprocedure. |
| | Børster er slidte | Få børster udskiftet af et autoriseret servicecenter. |
| Sav foretager utilfredsstillende snit. | Sløv klinge. | Udskift klingene. Se Ændring eller montering af en ny savklinge. |
| | Klinge monteret omvendt. | Vend klingene rundt. Se Ændring eller montering af en ny savklinge. |
| | Harpiks på klingene. | Fjern harpiks, og rengør den med grov ståluld og terpentint eller rengøringsmiddel til ovnen. |
| | Forkert klinge til udført arbejde. | Udskift klingetypen. |
| Arbejdslys blinker. | Batteri ikke opladet | Oplad batteriet. Se Opladningsprocedure. |
| Maskinen vibrerer for meget. | Sav ikke monteret sikkert på stativ eller arbejdsbænk. | Stram al monteringshardware. Se Bænkmontering |
| | Stativ eller bænk på ujævnt gulv. | Genplacer på flad plan overflade. |
| | Beskadiget savklinge. | Udskift klingene. Se Ændring eller montering af en ny savklinge. |
| Foretager ikke nøjagtige geringsnit. | Geringskala er ikke justeret korrekt. | Kontrollér og juster. Se Justering af geringskala under Justeringer. |
| | Klinge er ikke firkantet mod anslaget. | Kontrollér og juster. Se Justering af geringskala under Justeringer. |
| | Klinge er ikke vinkelret med bordet. | Kontrollér og juster anslaget. Se Justering af smigkanten i forhold til bordet under Justeringer. |
| | Arbejdsemne bevæger sig | Spænd arbejdsemnet sikkert på anslaget eller lim sandpapir med kornstørrelse 120 på anslaget med gummiment. |
| Materiale kniber klingene. | Savsniplade slidt eller beskadiget. | Tag med til et autoriseret værksted. |
| | Skæring af bøjet materiale. | Se Bøjet materiale under Specielle snit. |

Miljøbeskyttelse



Særskilt indsamling. Produkter og batterier mærket med dette symbol må ikke bortskaffes sammen med normalt husholdningsaffald.

Produkter og batterier indeholder materialer, der kan genvindes eller genbruges og således reducere efterspørgslen efter råvarer.

Genbrug venligst elektriske produkter og batterier i henhold til lokale bestemmelser. Yderligere oplysninger findes på www.2helpU.com

Tekniske data

| FMCS701 (H1) | | | |
|----------------------------|------------|----|----------|
| Spænding | V | | 18 |
| Hastighed | /min. | | 3.800 |
| Klinges udvendige diameter | mm | | 190 |
| Borediameter | mm | | 16 |
| Klinge maks. savsnit | mm | | 1.8 |
| Vægt uden batteri | kg | | 10 |
| Klingens tykkelse | mm | | 1,0 |
| Gering (maks. positioner) | ° | | 47 |
| Fas (maks. positioner) | ° | | 47 |
| 0 gr. gering | horisontal | mm | 50 x 216 |
| | vertikal | mm | 90 x 15 |
| 45 gr. gering højre | horisontal | mm | 50 x 152 |
| | vertikal | mm | 90 x 15 |
| 45 gr. gering venstre | horisontal | mm | 50 x 152 |
| | vertikal | mm | 90 x 15 |
| 45 gr. fas venstre | horisontal | mm | 50 x 152 |
| | vertikal | mm | 50 x 15 |

| Oplader | | 905998** typ. 1 | 906086** typ. 1 |
|--------------------|----------|-----------------|-----------------|
| Indgangsspænding | V_{AC} | 230 | 230 |
| Udgangsspænding | V_{DC} | 18 | 18 |
| Udgangsstrømstyrke | A | 1 | 2 |
| Ladetid ca. | Min. | 90 - 240 | 45 - 120 |

| Batteri | | FMC689L | FMC687L | FMC688L |
|-----------|----------|---------|---------|---------|
| Spænding | V_{DC} | 18 | 18 | 18 |
| Kapacitet | Ah | 1.5 | 2.0 | 4.0 |
| Type | | Li-Ion | Li-Ion | Li-Ion |

| Lydtrykniveau i henhold til EN 62841: | |
|---------------------------------------|------------------------------------|
| L_{PA} (lydtryk) | 83,0 dB(A), usikkerhed (K) 3 dB(A) |
| L_{WK} (lydeffekt) | 94,5 dB(A), usikkerhed (K) 3 dB(A) |

EU-overensstemmelseserklæring

MASKINDIREKTIV



FMCS701 Kombineret, forskydelig geringssav

Stanley Europe erklærer, at produkterne beskrevet under "Tekniske data" er i overensstemmelse med: EN62841-1:2015, EN62841-3-9:2015+A11:2017

Disse produkter er endvidere i overensstemmelse med direktiv 2006/42/EC, 2014/30/EU og 2011/65/EU.

Kontakt Stanley Fat Max på nedenstående adresse, eller se vejledningens bagside for at få flere oplysninger.

Undertegnede er ansvarlig for udarbejdelsen af de tekniske data og fremsætter denne erklæring på vegne af Stanley Fat Max.

Ray Laverick
Direktør for maskinteknik
Stanley Fat Max Europe, 210 Bath Road, Slough,
Berkshire, SL1 3YD
Storbritannien
28/06/2018

Garanti

Stanley Europe er sikker på kvaliteten af sine produkter og giver forbrugerne en garanti på 12 måneder fra købsdatoen. Garantien er et tillæg til forbrugernes lovmæssige rettigheder og påvirker ikke disse. Garantien er gyldig inden for medlemsstaterne af Den Europæiske Union og Det Europæiske Frihandelsområde.

Når du gør krav på garantien, skal kravet være i overensstemmelse med Stanley Fat Max vilkår og betingelser, og du skal indsende dokumentation for købet til sælgeren eller til en autoriseret reparatør. Vilkår og betingelser for Stanley Europe 1 års garanti og placeringen af dit nærmeste autoriserede serviceværksted kan fås på internettet på www.2helpU.com, eller ved at kontakte dit lokale Stanley Europe kontor på den adresse, der er angivet i denne vejledning.

Besøg venligst vores websted www.stanley.eu/3 for at registrere dit nye Stanley Fat Max produkt og modtage opdateringer om nye produkter og specielle tilbud.

Käyttötarkoitus

Liukuva, yhdistetty Stanley Fat Max FMCS701 -jiirisaha on suunniteltu vain puun, muovin ja ei-rautapitoisen metallin sahaamiseen. Työkalu on tarkoitettu sekä ammatti- että yksityiskäyttöön.

Turvallisuusohjeet

Sähkötyökalujen yleiset turvavaroitukset



Varoitus! Lue kaikki sähkötyökalun mukana toimitetut varoitukset, käyttöohjeet ja tekniset tiedot. Alla olevien varoitusten ja ohjeiden noudattamisen laiminlyönti saattaa johtaa sähköiskuun, tulipaloon ja/tai vakavaan loukkaantumiseen.

Säästä kaikki varoitukset ja ohjeet tulevaa käyttöä varten. Ohjeissa käytetty käsite "sähkötyökalu" tarkoittaa verkkokäyttöisiä sähkötyökaluja (verkkojohdolla varustettuja) ja akkukäyttöisiä sähkötyökaluja (ilman verkkojohtoa).

1. Työalueen turvallisuus

- Pidä työalue puhtaana ja hyvin valaistuna.** Onnettomuuksia sattuu herkemmin epäsiistissä tai huonosti valaistussa ympäristössä.
- Älä käytä sähkötyökalua räjähdysalttiissa ympäristössä, jossa on syttyvää nestettä, kaasua tai pölyä.** Sähkötyökalujen aiheuttamat kipinät voivat sytyttää pölyn tai kaasut.
- Pidä lapset ja sivulliset loitolla sähkötyökalua käyttäessäsi.** Keskittymiskyvyn herpaantuminen voi aiheuttaa hallinnan menettämisen.

2. Sähköturvallisuus

- Sähkötyökalun pistokkeen on sovitava pistorasiaan. Älä koskaan tee pistokkeeseen mitään muutoksia. Älä yhdistä maadoitettua sähkötyökalua jatkojohtoon.** Sähköiskun vaara vähenee, jos pistokkeisiin ei tehdä muutoksia ja ne yhdistetään vain niille tarkoitettuihin pistorasioihin.
- Vältä koskettamasta maadoitettuja pintoja, kuten putkia, lämpöpattereita, liesiä tai jääkaappeja.** Voit saada sähköiskun, jos kehosi on maadoitettu.
- Älä altista sähkötyökalua sateelle tai kosteudelle.** Sähkötyökaluun menevä vesi lisää sähköiskun vaaraa.
- Älä käsittele virtajohtoa kovakouraisesti. Älä kannata työkaluja sähköjohdosta tai vedä pistoketta pistorasiasta sähköjohdon avulla. Pidä sähköjohto kaukana kuumuudesta, öljystä, terävistä reunoista tai liikkuvista osista.** Vaurioituneet tai sotkeutuneet johdot lisäävät sähköiskun vaaraa.
- Käyttäessäsi sähkötyökalua ulkona käytä ainoastaan ulkokäyttöön soveltuvaa jatkojohtoa.** Ulkokäyttöön

tarkoitettua sähköjohdon käyttäminen vähentää sähköiskun vaaraa.

- Jos sähkötyökalua on välttämättä käytettävä kosteassa paikassa, käytä vikavirtasuojalla (RCD) suojattua virtalähdettä.** Tämä vähentää sähköiskun vaaraa.
- Henkilöturvallisuus**
 - Ole valpas, keskity työhön ja noudata tervettä järjettä sähkötyökalun käytössä. Älä käytä tätä työkalua ollessasi väsynyt tai alkoholin, huumeiden tai lääkkeiden vaikutuksen alaisena.** Keskittymisen herpaantuminen hetkeksikin sähkötyökalua käytettäessä voi aiheuttaa vakavan henkilövahingon.
 - Käytä henkilökohtaisia suojavarusteita. Käytä aina suojalaseja.** Hengityssuojaimen, liukumattomien turvajalkineiden, kypärän ja kuulonsuojaimen käyttäminen vähentää henkilövahinkojen vaaraa.
 - Vältä tahatonta käynnistämistä. Varmista, että kytkin on OFF-asennossa, ennen kuin liität laitteen virtalähteeseen ja/tai akkuun, nosta laitteen tai kannat sitä.** Sähkötyökalun kantaminen somi virtakytkimellä lisää onnettomuusvaaraa.
 - Irrota mahdollinen säätö- tai kiintoavain ennen kuin käynnistät sähkötyökalun.** Sähkötyökalun pyöriivään osaan kiinni jäänyt avain voi johtaa loukkaantumiseen.
 - Älä kurkotta.** Huolehdi siitä, että sinulla on koko ajan tukeva jalansija ja hyvä tasapaino. Näin voit hallita sähkötyökalua paremmin odottamattomissa tilanteissa.
 - Käytä tarkoitukseen soveltuvia vaatteita. Älä käytä löysiä vaatteita tai koruja. Pidä hiukset, vaatteet ja kädet loitolla liikkuvista osista.** Löysät vaatteet, korut tai pitkät hiukset voivat tarttua liikkuviin osiin.
 - Jos työkalun voi liittää pölynimuriin, tarkista, että liitos on tehty asianmukaisesti ja että laitteita käytetään oikealla tavalla.** Pölyn ottaminen talteen voi vähentää pölyn aiheuttamia vaaroja.
 - Vaikka käyttäisit usein työkaluja ja sinulla olisi niistä hyvä tuntemus, älä jätä lukematta työkalun turvallisuusohjeita.** Huolimattomuus voi johtaa vakaviin henkilövahinkoihin jopa sekunnin murto-osassa.
 - Sähkötyökalujen käyttö ja hoito**
 - Älä ylikuormita sähkötyökalua. Valitse käyttötarkoituksen kannalta oikea sähkötyökalu.** Sähkötyökalu toimii paremmin ja turvallisemmin, kun sitä käytetään sille suunniteltuun käyttötarkoitukseen.
 - Älä käytä sähkötyökalua, jota ei voida käynnistää ja pysäyttää virtakytkimestä.** Jos sähkötyökalua ei voi hallita kytkimen avulla, se on vaarallinen ja se on korjattava.
 - Irrota pistotulppa pistorasiasta ja/tai akku laitteesta ennen kuin suoritat säätöjä, vaihdat tarvikkeita tai**

- siirretään sähkötyökalun varastoitavaksi. Näin voit vähentää vahingossa käynnistymisen aiheuttaman henkilövahingon vaaraa.
- d. Säilytä sähkötyökalut poissa lasten ulottuvilta, kun niitä ei käytetä. Älä anna sähkötyökalua sellaisen henkilön käyttöön, joka ei tunne sitä tai joka ei ole tutustunut tähän käyttöohjeeseen. Sähkötyökalut ovat vaarallisia kouluttamattomien käyttäjien käsissä.
- e. Hoida sähkötyökaluasi ja lisävarusteita huolella. Tarkista, että liikkuvat osat toimivat moitteettomasti ja etteivät ne ole puristuksessa. Tarkista myös, ettei työkalussa ei ole murtuneita tai vahingoittuneita osia, jotka saattaisivat vaikuttaa haitallisesti sen toimintaan. Jos havaitset vaurioita, korjauta sähkötyökalu ennen niiden käyttämistä. Huonosti kunnossapidetyt sähkötyökalut aiheuttavat onnettomuuksia.
- f. Pidä leikkausterät terävinä ja puhtaina. Kunnossa pidettyjen leikkaavia teräviä reunoja sisältävien työkalut todennäköisyys jumiutua vähenee, ja niitä on helpompi hallita.
- g. Käytä sähkötyökaluja, tarvikkeita, vaihtoteriä yms. näiden ohjeiden mukaisesti. Ota tällöin huomioon työolosuhteet ja suoritettava toimenpide. Jos sähkötyökalua käytetään näiden ohjeiden vastaisesti, voi syntyä vaaratilanne.
- h. Pidä kahvat ja kädensijat kuivina ja puhtaina öljystä ja rasvasta. Liukkaat kahvat ja rasvaiset kädensijat estävät työkalun turvallisen käsittelyn ja hallinnan odottamattomissa tilanteissa.

5. Akkutyökalun käyttö ja huolto

- a. Lataa akku vain valmistajan määrittelemällä laturilla. Laturi, joka on sopiva yhden tyypilliselle akulle, voi aiheuttaa tulipalon vaaran, jos sitä käytetään toisen tyyppisellä akulla.
- b. Käytä sähkötyökalussa ainoastaan kyseiseen sähkötyökaluun tarkoitettua akkua. Muun tyyppisen akun käyttö saattaa johtaa loukkaantumiseen ja tulipaloon.
- c. Pidä irrallinen akku loitolla metalliesineistä, kuten paperiliittimistä, kolikoista, avaimista, nauloista, ruuveista tai muista pienistä metalliesineistä, jotka voivat aiheuttaa oikosulun akun navoissa. Kennon pinteiden oikosulku voi aiheuttaa palovammoja tai tulipalon.
- d. Väärin käytetystä akusta voi vuotaa nestettä. Älä kosketa sitä. Jos nesteen kanssa joutuu kosketuksiin, huuhtelee vedellä. Jos nestettä joutuu silmiin, hakeudu lisäksi lääkärin hoitoon. Akusta roiskunut neste saattaa aiheuttaa ärsytystä tai palovammoja.
- e. Akkua tai työkalua ei saa käyttää, jos siinä on vaurioita tai sitä on muunneltu. Vaurioituneet tai

muunnellut akut voivat johtaa odottamattomiin tilanteisiin ja vaarana ovat tulipalo, räjähdys ja henkilövahingot.

- f. Suojaa akku ja työkalu tulta ja liian korkeilta lämpötiloilta. Se voi räjähtää yli 130 °C lämpötilassa.
- g. Noudata kaikkia latausohjeita. Akkua tai työkalua ei saa ladata ohjeissa määritetystä lämpötilavälisestä poikkeavassa lämpötilassa. Jos akku ladataan virheellisesti tai määritetystä lämpötilavälisestä poikkeavassa lämpötilassa, seurauksena voi olla akun vaurioituminen ja tulipalovaara.
6. Huolto
- a. Korjauta sähkötyökalu koulutetulla ja ammattitaitoisella henkilöllä ja hyväksy korjauksiin vain alkuperäisiä varaosia. Tämä varmistaa sähkötyökalun turvallisuuden.
- b. Älä koskaan huolla vaurioituneita akkuja. Ainoastaan valmistaja tai valtuutetut huoltoliikkeet saavat huoltaa akkuja.

Turvaohjeet kaikille jiirisahoille

- ◆ Jiirisahat on tarkoitettu puun tai puuta muistuttavien materiaalien sahaamiseen, niihin ei saa asentaa hiomalaikkoja rautapitoisten materiaalien (esim. palkit, varret, tapit jne.) sahaamiseen. Hiomisesta syntyvä pöly voi aiheuttaa liikkuvien osien (esim. Alasuojuksen) juuttumisen kiinni. Hiomisesta syntyvät kipinät aiheuttavat alasuojuksen, uurososan ja muiden muoviosien palamisen.
- ◆ Tue työstökappaletta pidikkeillä aina kun se on mahdollista. Jos työstökappaletta tuetaan käsin, käsi on pidettävä aina vähintään 100 mm:n päässä sahanterän molemmilta puolilta. Tällä sahalla ei saa sahata kappaletta, jotka ovat liian pieniä pidikkeellä tai käsin pitämiseen. Jos käsi asetetaan liian lähelle sahanterää, terän kosketuksesta aiheutuva henkilövahinkojen vaara on suurempi.
- ◆ Työstökappaleen on oltava paikoillaan ja kiinnitetty pidikkeellä tai pidettävä käsillä paikoillaan sekä raja-suojaa että pöytästä vasten. Älä syötä työstökappaletta terään tai sahaa vapaasti. Rajoittamattomat tai liikkuvat työstökappaleet voivat singota suurella nopeudella ja aiheuttaa henkilövahinkoja.
- ◆ Työnnä saha työstökappaleen läpi. Älä vedä sahaa työstökappaleen läpi. Sahaa nostamalla sahauspää ja vetämällä se ulos työstökappaleen yli sahaamalla, käynnistämällä moottori, painamalla sahauspää alas ja työntämällä saha työstökappaleen läpi. Jos vedon aikana sahataan, sahanterä siirtyy todennäköisesti työstökappaleen päälle aiheuttaen teräkokoospanon sinkoamisen voimalla käyttäjään päin.
- ◆ Älä koskaan aseta kättä poikittain leikkauslinjan yli joko sahanterän edessä tai takana.

Työstökappaleen tukeminen pitämällä kättä poikittain, ts. pitämällä työstökappaletta sahanterän oikealla puolella vasemmassa kädellä tai päinvastoin, on erittäin vaarallista.

- ◆ **Älä kurottele rajasuojan yli pitämällä kättä alle 100 mm:n etäisyydellä sahanterän jommasta kummasta puolesta puujäämien poistamiseksi tai mistään muusta syystä terän pyöriessä.** Pyörivän sahanterän läheisyyttä ei välttämättä käsitetä täysin ja vaarana ovat vakavat henkilövahingot.
- ◆ **Tarkista työstökappale ennen sahaamista. Jos työstökappale on taipunut tai vääntynyt, kiinnitä se ulompi taipunut puoli rajasuojaa vasten. Varmista, ettei työstökappaleen, rajasuojan ja pöydän väliin jää tilaa leikkauslinjassa.** Taittuneet tai vääntyneet työstökappaleet voivat kääntyä tai siirtyä aiheuttaen pyörivän sahanterän kiinni juuttumisen sahaamisen aikana. Työstökappaleessa ei saa olla nauloja tai vieraita esineitä.
- ◆ **Sahaa ei saa käyttää ennen kuin kaikki työkalut, puujäämät jne. on poistettu työstökappaletta lukuun ottamatta.** Pienet jäämät tai irtonaiset puukappaleet tai muut esineet voivat singota suurella nopeudella koskettaessa pyörivään terään.
- ◆ **Sahaa ainoastaan yksi työstökappale kerrallaan.** Useita pinottuja työstökappaleita ei voida kiinnittää tai tukea riittävän hyvin ja ne voivat juuttua terään tai siirtyä sahaamisen aikana.
- ◆ **Varmista, että jiirisaha on asennettu tai sijoitettu tasaiselle ja tukevalle alustalle ennen käyttöä.** Tasainen ja tukeva alusta pienentää jiirisahan epävakauden vaaraa.
- ◆ **Suunnittele työtoimenpiteet. Varmista aina jiiri- tai viistekulman asetuksen säätämisen yhteydessä, että säädettävä rajasuoja on asetettu oikein tukemaan työstökappaletta ja ettei se ole terän tai suojajärjestelmän tiellä.** Kun työkalu on pois päältä ja pöydällä ei ole työstökappaletta, siirrä sahanterää simuloiden koko sahausliikettä varmistaaksesi, että toiminta on virheetöntä ja rajasuojan sahausvaaraa ei ole.
- ◆ **Jos työstökappale on pöytää leveämpi tai pitempi, sitä on tuettava oikeaoppisesti (esim. pöydän jatkeilla, sahapukeilla jne.).** Jiirisahan pöytää pitemmät tai leveämmät työstökappaleet voivat kallistua, jos niitä ei tueta hyvin. Jos sahattu kappale tai työstökappale kallistuu, se voi nostaa alasuojasta tai sinkoutua pyörivän terän seurauksena.
- ◆ **Toinen henkilö ei voi korvata pöydän jatketta tai lisätukea.** Työstökappaleen epävakaata tuki voi aiheuttaa terän kiinni juuttumisen tai työstökappaleen siirtymisen sahaamisen aikana, jolloin saha voi vetää käyttäjän ja avustajan pyörivään terään.
- ◆ **Sahattavaa kappaletta ei saa kiinnittää tai paina millään tavalla pyörivään sahanterään.** Rajoitettu sahattava kappale (ts. pituusrajoja käyttäessä) voi kiillautua terää vasten ja sinkoutua voimalla.

- ◆ **Käytä aina pyöreän materiaalin (esim. tangot ja putket) tukemiseen suunniteltua pidikettä tai kiinnittintä.** Tangot pyörivät helposti sahaamisen aikana, jolloin terä jää kiinni ja vetää työstökappaleen ja käden terään.
- ◆ **Anna terän saavuttaa täysi nopeus ennen kuin se koskettaa työstökappaletta.** Tämä vähentää työstökappaleen sinkoamisen vaaraa.
- ◆ **Jos työstökappale tai terä juuttuu kiinni, kytke jiirisaha pois päältä. Odota, että kaikki liikkuvat osat pysähtyvät ja irrota pistoke virtalähteestä ja/tai irrota akku. Irrota sen jälkeen kiinni juuttuneet materiaalit.** Jos sahaamista jatketaan työstökappaleen ollessa juuttuneena kiinni, seurauksena voi olla hallinnan menetys tai jiirisahan vaurioituminen.
- ◆ **Vapauta ytkin ja pitele sahauspäättä alhaalla sahaamisen jälkeen, odota että terä pysähtyy ennen sahatun kappaleen poistamista.** Käden asettaminen pyörivän terän lähelle on vaarallista.

Jiirisahojen lisäturvaohjeet

- ◆ Tarkoitettu käyttö on kuvattu tässä käyttöohjeessa. Käytä työkalua ainoastaan sellaiseen työhön, johon se on tarkoitettu, ja käytä vain tässä käyttöohjeessa suositeltuja tarvikkeita ja lisälaitteita. Ohjeesta poikkeava käyttö voi aiheuttaa henkilö- ja/tai omaisuusvahinkoja.
- ◆ Älä käytä murtuneita, taipuneita, voittuneita tai vääntyneitä sahanteriiä.
- ◆ Vaihda kulunut uurraslevy.
- ◆ Älä käytä teriä, joiden halkaisija on suosituksia suurempi tai pienempi. Katso terän sopivat tyyppiarvot teknisistä tiedoista. Käytä vain ohjekirjassa ilmoitettuja teriä EN 847-1 -standardin mukaisesti.
- ◆ Älä käytä pikateräs (HSS) -sahanteriiä.



Varoitus! Sahauksesta syntyvä pöly voi aiheuttaa terveyshaittoja käyttäjälle ja mahdollisille sivullisille. Käytä kasvosuojusta, joka on erityisesti tarkoitettu suojaamaan pölyltä ja höyryiltä, ja varmista, että kaikki työskentelyalueella olevat ja sinne tulevat henkilöt käyttävät suojavarusteita.

- ◆ Älä työstä materiaalia, joka sisältää asbestia. Asbesti on syöpää aiheuttava aine.
- ◆ Käytä hansikkaita, kun käsittelet sahanteriiä ja karkeaa materiaalia (sahanteriiä tulisi kantaa pidikkeessä, aina kun se on mahdollista).
- ◆ Käytä kuulonsuojaimia kuulon vahingoittumisen estämiseksi.
- ◆ Harkitse erityisesti melun vähentämiseen suunniteltujen terien käyttöä.
- ◆ Käytä suojalaseja henkilövahinkovaaran välttämiseksi.
- ◆ Käytä mukana toimitettavaa pölypussia sahatessasi puuta.

- ◆ **Jos terä voi osua piilotettuihin sähköjohtoihin tai työkalun omaan sähköjohtoon, tartu työkalun eristettyihin tarttumapintoihin.** Työkalun kosketus jännitteisen johtimen kanssa voi tehdä myös työkalun paljaista metalliosista jännitteisiä ja aiheuttaa sähköiskun käyttäjälle.
- ◆ Valitse oikea terä leikattavalle materiaalille.
- ◆ Älä käytä konetta, jos suojuus ei ole paikoillaan. Älä käytä konetta, jos suojuus ei toimi tai jos sitä ei ole huollettu oikein.
- ◆ Varmista, että varsi on kiinnitetty kunnolla, ennen kuin suoritat viistoleikkauksia.
- ◆ Ennen sahaamista tulee varmistaa, että kone on vakaa.
- ◆ Kahvojen tulee olla kuivat, puhtaat ja rasvattomat.
- ◆ Pidä konetta ympäröivä alue siistinä ja puhtaana irtonaisesta materiaalista, kuten lastuista ja hukkapaloista.
- ◆ Varmista, että kone ja työskentelyalue on varustettu riittävällä yleis- tai kohdevalolla.
- ◆ Älä anna kouluttamattomien henkilöiden käyttää tätä konetta.
- ◆ Varmista aina ennen käyttöä, että terä on kiinnitetty oikein. Varmista, että terä pyörii oikeaan suuntaan. Pidä terä terävänä. Noudata voitelusta ja osien vaihdosta annettuja ohjeita.
- ◆ Varmista, että sahanteriin merkitty nopeus on vähintään yhtä suuri kuin sahaan merkitty nopeus.
- ◆ Varmista, että välilevyt ja kararenkaat ovat Stanley Fat Max -yhtiön määrittämän tarkoituksen mukaisia.
- ◆ Leikkauslinjan ohjausjärjestelmää saa korjata vain valtuutettu huoltoedustaja tai Stanley Fat Max -huoltohenkilöstö.
- ◆ Irrota akku koneesta ennen huoltotoimenpiteitä tai terän vaihtamista.
- ◆ Älä koskaan suorita puhdistusta, huoltoa tai hukkapalojen tai muiden työstökappaleen palojen irrottamista leikkausalueelta, kun kone on käynnissä eikä sahauspää ole lepoasennossa.
- ◆ Asenna kone aina mahdollisuuksien mukaan penkkiin.
- ◆ Varmista aina ennen käytön aloittamista, että kaikki lukitusnupit ja kahvat ovat tiukat.
- ◆ Älä koskaan käytä sahaa ilman pöytäupotetta.
- ◆ Älä koskaan yritä pysäyttää nopeassa liikkeessä olevaa konetta työkalulla tai muulla välineellä terää painamalla; tämä voi aiheuttaa vakavia onnettomuuksia.
- ◆ Lue käyttöopas huolellisesti ennen lisälaitteiden asennusta tai käyttöä. Lisävarusteen virheellinen käyttö voi aiheuttaa vahinkoja.
- ◆ Nosta terä työstökappaleen pöytäupotteesta, ennen kuin vapautat virtakytkimen.
- ◆ Älä kiilaa mitään tuuletinta vasten moottorin akselin tukemiseksi.
- ◆ Sahan teräsuojus nousee automaattisesti, kun varsi lasketaan alas, ja se laskeutuu terän päälle, kun varsta

nostetaan. Suojus voidaan nostaa käsin, kun sahanteriä asennetaan tai poistetaan tai sahaa halutaan tutkia. Älä koskaan nosta teränsuojusta käsin, jollei kone ole kytketty pois päältä.

- ◆ Tarkista säännöllisesti, että moottorin ilmanvaihtoaukot ovat puhtaat ja lastuttomat.
- ◆ Älä koskaan tee sähkötyökalun varoitusmerkkejä lukukelvottomiksi.
- ◆ Älä koskaan seiso sähkötyökalun päällä. Käyttäjä voi saada vakavia vammoja, jos sähkötyökalu kaatuu, tai jos hän joutuu kosketuksiin sahanterän kanssa.
- ◆ Älä kosketa sahanterää työskentelyn jälkeen ennen kuin se on jäähtynyt. Sahanterästä tulee erittäin kuuma työstön aikana.
- ◆ Vältä sinkoilevista materiaaleista johtuvat vammat irrottamalla akku sahasta. Siten estät tahattoman käynnistymisen. Poista irtokappaleet sen jälkeen.
- ◆ Teränsuojus on tarkistettava aina ennen käyttöä ja aina huollon jälkeen oikean toiminnan varmistamiseksi. Tämä tarkistus on suoritettava sahan ollessa kytkettynä pois päältä ja akun ollessa irrotettuna. Vartta on kohotettava ja laskettava, jotta varmistetaan, että suojuus peittää terän eikä terä kosketa suojusta. Jos suojuus ei toimi oikein, korjauta sähkötyökalu ammattitaitoisella huoltoedustajalla. Selvitä lähin huoltoedustaja soittamalla Stanley Fat Maxin asiakaspalveluun.
- ◆ **Tämä jiirisaha on suunniteltu vain puun, muovin ja ei-rautapitoisen metallin sahaamiseen.** Älä käytä sahaa leikkaamaan muita materiaaleja kuin valmistajan suosittelemaa.
- ◆ Älä tartu sahanterään työskentelyn jälkeen ennen kuin se on jäähtynyt. Sahanteriä voi kuumentua huomattavasti käytön aikana.



Varoitus! Muovin, pihkan peittämän puun ja muiden materiaalien leikkaaminen voi aiheuttaa sulaneiden materiaalien kerääntymisen terän kärkiin ja sahanterän runkoon, mikä voi lisätä terän ylikuumentumisen ja jumiutumisen riskiä leikattaessa.

Muiden henkilöiden turvallisuus

- ◆ Tämä laturi soveltuu yli 8-vuotiaiden lasten ja sellaisten henkilöiden käyttöön, joilla on fyysisiä tai älyllisiä rajoitteita tai aistirajoitteita, kuten myös laitteen toimintaan perehtymättömien henkilöiden käyttöön, jos heitä valvotaan tai jos he ovat saaneet laitteen turvalliseen käyttöön liittyvää opastusta ja ymmärtävät laitteen käyttöön liittyvät vaarat.
- ◆ Älä anna lasten leikkiä laitteella. Puhdistus- ja huoltotoimia ei saa jättää lapsille ilman valvontaa.

Jäännösriskit

Seuraavat riskit liittyvät sahojen käyttöön:

Tiettyjä jäännösriskejä ei voi välttää, vaikka noudatat kaikkia turvamääräyksiä ja käytät turvalaitteita. Näitä ovat:

- ◆ Pyörivien tai liikkuvien osien koskettamisen aiheuttamat vahingot.
- ◆ Kuulon heikkeneminen.
- ◆ Onnettomuusrisi, joka aiheutuu pyörivän sahanterän peittämättömistä osista.
- ◆ Loukkaantumisen riski osia, teriä tai lisävarusteita vaihdettaessa.
- ◆ Sormien puristumisen riski suojuksia vaihdettaessa.
- ◆ Terveysriskit, jotka aiheutuvat pölyn hengittämisestä sahattaessa puuta, erityisesti tammea, pyökkiä ja MDF-levyä.
- ◆ Työkalun pitkäaikaisen käytön aiheuttamat vahingot. Varmista, että pidät säännöllisesti taukoja työkalun pitkäaikaisen käytön aikana.

Melu

Ilmoitetut äänipäästöarvot on mitattu standardin testausmenetelmän mukaisesti, ja niiden avulla voidaan vertailla työkaluja keskenään.

Ilmoitettuja äänipäästöarvoja voidaan käyttää myös altistumisen alustavaan arviointiin.

Varoitus! Sähkötyökalun käytön aikana mitatut todellinen äänipäästöarvo voi poiketa ilmoitetuista arvoista työkalun käyttötavan ja erityisesti työstettävän kappaleen mukaan.

Varoitus! Käytä aina asianmukaisia kuulonsuojaimia.

Joissakin olosuhteissa ja käytön kestäessä tietyn aikaa tämä tuote voi vaikuttaa kuulon heikentymiseen. Huomioi seuraavat tekijät, jotka vaikuttavat melulle altistumiseen:

- ◆ Käytä sahanteriä, jotka on suunniteltu vähentämään melua.
- ◆ Käytä vain hyvin teroitettuja sahanteriä.
- ◆ Käytä erityisiä äänitasoa alentavia sahanteriä.

Työkalun tarrat

Työkalussa on seuraavat merkit sekä päivämääräkoodi:



Varoitus! Käyttäjän on luettava käyttöohje vahinkojen välttämiseksi.



Käytä suojalaseja.



Käytä kuulonsuojaimia.



Käytä pölysuojainta.



Tätä tuotetta ei ole tarkoitettu alle 16-vuotiaiden lasten käyttöön.



Pidä kädet poissa terän ulottuvilta.



Ei käsiä -vyöhyke – pidä sormet ja kädet poissa pyöriviltä sahanteriltä.



Käytä hansikkaita käsitellessäsi sahanteriä.



Älä katso suoraan työvaloon.

Akkuja ja laturia koskevat lisäturvaohjeet

Varoitus! Laitteen kanssa tulee käyttää ainoastaan sen mukana toimitettua virtalähdettä.

Huomautus: Työkalun suositeltu käyttölämpötila on 4 °C - 40 °C.

Akut

- ◆ Älä koskaan yritä avata mistään syystä.
- ◆ Älä anna akun kastua.
- ◆ Älä säilytä akkuja tiloissa, joissa lämpötila voi nousta yli 40 °C:een.
- ◆ Lataa akku paikassa, jonka lämpötila on vähintään 10 °C ja enintään +40 °C.
- ◆ Lataa akku ainoastaan työkalun mukana toimitetulla laturilla.
- ◆ Noudata akkuja hävittäessäsi kohdassa "Ympäristönsuojelu" annettuja ohjeita.



Älä koskaan yritä ladata viallisia akkuja.

Laturit

- ◆ Käytä Stanley FatMax -laturia vain laitteen mukana toimitetun akun lataamiseen. Muut akut voivat räjähtää ja aiheuttaa henkilövahinkoja tai aineellisia vahinkoja.
- ◆ Älä koskaan yritä ladata akkuja, joita ei ole tarkoitettu ladattavaksi.
- ◆ Vaihda vialliset johdot välittömästi ehjiin.
- ◆ Suojaa laturi vedeltä.
- ◆ Älä avaa laturia.
- ◆ Älä työnnä mitään laturin sisään.



Laturi on tarkoitettu ainoastaan sisäkäyttöön.



Lue käyttöohjeet huolellisesti ennen laitteen käyttöä.

Sähköturvallisuus



Laturi on kaksoiseristetty, joten erillistä maadoitusta ei tarvita. Tarkista aina, että verkkojännite vastaa arvokilvessä ilmoitettua jännitettä. Älä yritä vaihtaa laturiin tavallista verkkovirran pistoketta.

- ◆ Jos virtajohto vahingoittuu, sen vaihtaminen on turvallisuussyistä jätettävä valmistajan tai valtuutetun Stanley FatMax -huollon tehtäväksi.

Yleiskuvaus

Tässä työkalussa on joitakin tai kaikki seuraavista ominaisuuksista.

1. Liipaisukytkin
2. Käyttökahva
3. Asennusreiat
4. Alasuojus
5. Jiirin lukitusnuppi
6. Jiirin lukituspainike
7. Uurroslevy
8. Jiiriasteikko
9. Jiiriasteikon osoitin
10. Kantokahvat
11. Rajasuoja
12. Viisteen lukitusnuppi
13. Kiskot
- 13a. Tarrahihna
14. Pölynpoistoportti
15. Akkuyksikkö
16. Työvalon kytkin
17. Lukitusvipu
18. Kiskon lukitusruuvi
19. Pidikkeen asennusreikä
20. Lukitustappi

Kokoaminen (kuva A)

Jiirisaha toimitetaan osittain koottuna.

- ◆ Avaa pakkaus ja nosta saha pois pakkauksesta käyttäen sahan alaosassa olevia kantokahvoja (10) (kuva A).
- ◆ Aseta saha tasaiselle ja sileälle alustalle (esim. työpöytä tai tukeva pöytä).
- ◆ Tutustu sahaan ja sen osiin tämän ohjekirjan sivulla 2 olevan asennuskaavion avulla. Säätöjä koskeva osio viittaa kyseisiin termeihin, joten osien nimet ja sijainnit tulee tietää.
- ◆ Jiirin lukitusnuppia (5) ei ole asennettu tuotteeseen toimituksen yhteydessä. Poista jiirin lukitusnuppi (5) pakkauksesta ja ruuvaa se sahaan (katso sijainti kuvasta G ja J).
- ◆ Sahassa on integroitu pölynpoistoportti (14), joka mahdollistaa pakkauksessa erillään olevan pölypussin (35) tai toimipisteen imurijärjestelmän liittämisen (kuva M).

Uurroslevy (kuva J)

Uurroslevy (7) asennetaan pöytään 6 ruuvilla. Uurroslevyn (7) korkeutta ei voida säätää.

Huomautus: Jos uurroslevy (7) on kulunut, vaurioitunut tai se on vaihdettava, se on annettava valtuutetun huoltoedustajan tai Stanley Fat Max -huoltohenkilöstön korjattavaksi.

Lukitustappi (kuva F)

Varoitus! Lukitustappia tulee käyttää VAIN sahaa kuljettaessa tai varastoidessa. ÄLÄ KOSKAAN käytä lukitustappia sahaustoimenpiteissä.

Huomautus: Jiirisahaa voidaan nostaa, kuljettaa ja tukea kuljetuksen aikana käyttämällä jiirisahan alaosan molemmilla puoilla olevia kantokahvoja (10) (kuva A). Lukitse sahauspää ala-asentoon painamalla sahauspäää alaspäin, painamalla lukitustappia (20) sisään ja vapauttamalla sahauspään. Tällöin sahauspää pysyy turvallisesti alhaalla sahan kuljettamiseksi paikasta toiseen. Vapauta se painamalla sahauspäää alas ja vetämällä tappi ulos.

Varoitus! Varmista aina, että työkalu on kytketty pois päältä ja akku on irrotettu työkalusta ennen työkalun toiminnan säätämistä tai tarkistamista.

Akun lataaminen (kuva B)

Stanley FatMax -laturit on tarkoitettu Stanley FatMax -akkujen lataamiseen.

- ◆ Liitä laturi (21) sopivaan pistorasiaan ennen akun (15) asettamista paikoilleen.
- ◆ Aseta akku (15) laturiin ja varmista, että se on hyvin paikoillaan akun asennuspaikassa (kuva B).



LED-merkkivalo (21a) vilkkuu käynnissä olevan latauksen merkiksi.



Kun lataus on valmis, LED-merkkivalo jää palamaan pysyvästi. Akku on täysin ladattu ja sitä voidaan käyttää heti tai sen voi jättää laturiin.

- ◆ Lataa tyhjennetyt akut mahdollisimman pian käytön jälkeen, muutoin akun käyttöikä voi lyhentyä.
- ◆ Vältä akkuvirran purkautumista kokonaan loppuun akun käyttöänsä maksimoimiseksi. Suosittelemme akkujen lataamista jokaisen käyttökerran jälkeen.

Laturin vianmääritys (kuva C)

Tämä laturi tunnistaa joitakin ongelmia, joita esiintyy akussa tai virtalähteessä. Ongelmista ilmoittaa yksi eri tahtiin vilkkuva LED-merkkivalo.

Viallinen akku



Laturi voi havaita heikkokuntoisen tai vaurioituneen akun. LED-merkkivalo vilkkuu merkissä ilmoitetulla tavalla. Jos näet tämän heikosta akun kunnosta ilmoittavan vilkkumisen, lopeta akun

lataus. Vie se huoltopalveluun tai kierrätyspisteeseen.

Kuuma-/kylmäviive



Kun laturi tunnistaa liian kuuman tai kylmän akun, se käynnistää automaattisesti akun kuuma-/kylmäviiveen, jolloin lataus käynnistyy

vasta sitten, kun akku on saavuttanut oikean lämpötilan. Tämän jälkeen laturi kytketty automaattisesti akun lataustilaan. Tämä toiminto takaa akun maksimaalisen käyttöiän. Merkivalo vilkkuu merkissä ilmoitetulla tavalla.

Akun jättäminen laturiin

Akku voidaan jättää laturiin, kun LED-merkkivalo palaa. Laturi ylläpitää akkua ja sen virtatasoa. Tässä laturissa on automaattinen viritystila, joka tasaa tai tasapainottaa akun yksittäiset kennot sen käyttämiseksi huipputeholla. Akut tulee virittää viikoittain tai aina kun akun teho heikkenee. Voit käyttää automaattista viritystila asettamalla akun laturiin ja jättämällä sen paikoilleen vähintään 8 tunnin ajaksi.

Tärkeitä huomautuksia lataamiseen

- ◆ Käyttöikä ja teho voidaan maksimoida, jos akku ladataan ilman lämpötilassa 18 °C - 24 °C. Akkua EI SAA ladata alle +4,5 °C tai yli +40 °C ilman lämpötilassa. Tämä on tärkeää akun vakavien vaurioiden välttämiseksi.
- ◆ Laturi ja akku voivat kuumentua latauksen aikana. Tämä on normaalia, eikä se ole merkki ongelmasta.
- ◆ Jotta akku jäähtyy käytön jälkeen, vältä asettamista laturia tai akkua lämpimään ympäristöön, kuten metallikoteloon tai eristämättömän perävaunun päälle.
- ◆ Jos akku ei lataudu oikein:
 - ◆ Tarkista pistorasian toiminta kytkemällä siihen lamppu tai jokin muu laite.
 - ◆ Tarkista valojen sammuttamisen yhteydessä, onko pistoke liitetty valokytkimeen, joka katkaisee virran.
 - ◆ Siirrä laturi ja akku takaisin paikkaan, jossa ympäristölämpötila on noin 18 °C - 24 °C.
 - ◆ Jos latausongelmia ilmenee edelleen, vie työkalu, akku ja laturi paikalliseen huoltopalveluun.
- ◆ Akku tulee ladata uudelleen, jos se ei syötä riittävästi virtaa toimenpiteissä, jotka suoritettiin aikaisemmin helposti. ÄLÄ JATKA TYÖKALUN KÄYTTÖÄ näissä olosuhteissa. Noudata latausohjeita. Voit halutessasi myös ladata osittain käytetyn akun milloin tahansa, ilman että siitä olisi haittaa akulle.
- ◆ Vieraat johtavat materiaalit, kuten hiomapöly, metallisirut, teräsVilla, alumiinifolio tai metallihiukkaskertymät, niihin kuitenkaan rajoittumatta, tulee pitää pois laturin aukoista. Irrota laturi tehonsyötöstä ennen kuin yrität puhdistaa sitä.
- ◆ Älä pakasta tai upota laturia veteen tai muihin nesteisiin.

Akun kiinnittäminen ja irrottaminen (kuvat D, E)

- ◆ Kiinnitä akku (15) asettamalla se työkalussa (22) olevan kiinnityssyvennyksen kanssa samaan linjaan. Liu'uta akkua kiinnityssyvennykseen, kunnes se lukittuu paikalleen.
- ◆ Irrota akku painamalla akun vapautuspainiketta (15a) samalla kun vedät akkua irti kiinnityssyvennyksestä kuvan E mukaisesti.

Uuden sahanterän vaihtaminen tai asentaminen (kuvat G, H, I)

Varoitus! Vakavan henkilövahingon vaaran vähentämiseksi katkaise työkalusta virta ja poista akku ennen kuljettamista, säätämistä tai varusteiden irrottamista tai asentamista. Taha-ton käynnistyminen aiheuttaa vahingon.

Terän poistaminen

- ◆ Poista akku (15) sahasta.
- ◆ Nosta varsi yläasentoon ja nosta alasuojus (4) niin ylös kuin mahdollista.
- ◆ Löysää suojuksen kannattimen eturuuvia (24) sitä kuitenkaan irrottamatta, kunnes kannattinta (25) voidaan nostaa riittävästi terän ruuviin (26) pääsemiseksi. Alasuojus jää yläasentoon suojuksen kannattimen ruuvin sijainnin vuoksi.
- ◆ Paina karan lukituspainiketta (28) ja kierrä samalla varoen sahanterää (29) käsin, kunnes lukko kytketty päälle.
- ◆ Pidä painike alhaalla ja löysää terän ruuvia (26) toisella kädellä sekä avaimen kuusiopuolella. (Kierrä myötäpäivään, vasemmat kierteet).
- ◆ Poista terän ruuvi (26) avaimen kuusiopuolella, ulompi pidikkeen aluslevy (30) ja terä (29). Sisempi pidikkeen aluslevy (31) voi olla vasemmassa karassa (32).

Terän asentaminen

- ◆ Poista akku (15) sahasta.
- ◆ Kun varsi on ylhäällä, alasuojus (4) auki ja suojuksen kannatin (25) ylhäällä, aseta terä (29) karaan (32) ja sisempää terän pidikettä (31) vasten terän hampaiden osoittaessa kiertosuuntaan sahan merkintöjen mukaan.
- ◆ Asenna ulompi pidikkeen aluslevy (30) karaan (32).
- ◆ Asenna terän ruuvi (26) ja kiristä ruuvi (26) hyvin kytkemällä karan lukko (28) ja käyttämällä pakkauksen avainta (kierrä vastapäivään, vasemmat kierteet).
- ◆ Palauta suojuksen kannatin (25) alkuperäiseen ääri-asentoon alas ja kiristä suojuksen kannattimen ruuvi (24) kannattimen pitämiseksi paikoillaan.

Leikkauslinjan ohjausjärjestelmä

Varoitus! Älä katso työvaloon. Se voi aiheuttaa vakavan silmävamman.

Huomautus: Akku on ladattava ja liitettävä jiiirisaahan.

Leikkauslinjan ohjausjärjestelmä voidaan kytkeä päälle ja pois päältä ainoastaan työvalon kytkimellä (16).

Voit sahata puukappaleeseen merkittyä leikkauslinjaa pitkän kytkemällä leikkauslinjan ohjausjärjestelmän päälle työvalon kytkimellä (16) (ei pääkatkaisimella) ja vetämällä sen jälkeen käyttökahvan (2) alas sahanterän viemiseksi puukappaleen lähelle.

Terän varjo tulee näkyviin puukappaleeseen. Tämä varjolinja esittää materiaalia, joka poistetaan sahausken aikana.

Saha voidaan kohdistaa oikein merkittyyn linjaan kohdistamalla merkitty linja terän varjon reunaan. Huomaa, että jiiri- tai viistekulmaa voi olla tarpeen säätää, jotta terä kohdistuisi tarkalleen merkittyyn linjaan.

Sahassa on akun vikatoiminto. Työvalo alkaa vilkkua, kun akkuvirta on loppumaisillaan tai kun akku on liian kuuma. Lataa akku ennen sahaamisen jatkamista. Katso akun latausohjeet akkujen tärkeistä turvaohjeista.

Jiirin hallinta (kuva J)

Jiirin lukitusnuppi (5) ja lukituspainike (6) mahdollistavat jiirisahan asettamisen 47° oikeaan ja 47° vasempaan kulmaan. Jiirin lukko sijoittuu automaattisesti asentoon 0°, 15°, 22,5°, 31,6° ja 45° sekä vasemmalla että oikealla. Voit käyttää jiirisahaa vapauttamalla jiirin lukitusmekanismin kiertämällä jiirin lukitusnuppia (5) vastapäivään lukituksen avaamiseksi ja myötäpäivään sen lukitsemiseksi. Vedä jiirin lukituspainike (6) ylös ja aseta haluamasi jiirikulma jiiristeikkoon (8). Lukitse jiirin lukitusnuppi (5) kiertämällä sitä myötäpäivään.

Viisteen lukitusnuppi (kuva K)

Viisteen lukitusnupin avulla voit kallistaa sahan 48° vasempaan kulmaan. Säädä viistekulma kiertämällä viisteen lukitusnuppia (12) vastapäivään sen löysäämiseksi. Kiristä se kiertämällä viisteen lukitusnuppia myötäpäivään.

Huomio! Puristumisvaara. Varmista, että viisteen lukitusnuppi on kiristetty ennen ohituskien säätämistä.

Liipaisukytkin (kuva L)

Kytke saha päälle painamalla lukitusvipu (17) vasemmalle, ja painamalla liipaisukytkintä (1). Saha toimii, kun kytkintä pidetään alhaalla. Anna terän saavuttaa maksimaalinen kierrosnopeus ennen sahaamisen aloittamista. Sammuta saha vapauttamalla kytkin. Anna terän pysähtyä ennen sahauspään nostamista. Kytkintä ei voida lukita päälle. Liipaisinta varten on olemassa reikä (1a), johon voidaan asentaa munalukko kytkimen lukitsemista varten.

Sahassa ei ole automaattista sähkötoimista teräjarua, mutta saha pysähtyy 5 sekunnin kuluessa liipaisimen vapauttamisesta. Sitä ei voida säätää. Jos pysähtymisaika ylittää toistuvasti 5 sekuntia, työkalu on viettävä huollettavaksi valtuutettuun Stanley FatMax -huoltopalveluun.

Varmista aina, että terä on pysähtynyt ennen sen poistamista uurroksesta.

Pölyn poisto (kuva M)

Varoitus! Vakavan henkilövahingon vaaran vähentämiseksi katkaise työkalusta virta ja poista akku ennen kuljettamista, säätämistä tai varusteiden irrottamista tai asentamista. Tahan käynnistyminen aiheuttaa vahingon.

Sahassa on integroitu pölynpoistoportti (14), joka mahdollistaa pakkauksessa olevan pölypussin (35) tai toimipisteen imurijärjestelmän liittämisen.

Pölypussin kiinnittäminen

- ◆ Asenna pölypussi (35) pölynpoistoporttiin (14) kuvan M mukaisesti.
- ◆ Imurin putki (38 - ei kuulu pakkaukseen) voidaan asentaa pölynpoistoporttiin (14) pölypussin (35) sijaan. Tämä voidaan toteuttaa asentamalla imurin putki (38) pölypussin (35) tilalle kuvan M mukaisesti.
- ◆ Kiinnitä imurin putki (38) paikoilleen tarrahihnalla (13a) niin, ettei se osu liukuviin kiskoihin (13) sahan käytön aikana.

Huomautus: Tarrahihna (13a) ei ole kantokahva, sitä ei saa käyttää sahan siirtämiseen tai kuljettamiseen.

Pölypussin tyhjentäminen

- ◆ Poista pölypussi (35) sahasta, ravista pölypussia kevyesti tai napauta sitä sen tyhjentämiseksi.
- ◆ Kiinnitä pölypussi takaisin paikoilleen pölynpoistoporttiin (14).

Kaikki pöly ei välttämättä irtoa pussista. Tämä ei vaikuta sahan suorituskykyyn, mutta sahan pölynpoistoteho heikkenee. Voit palauttaa sahan pölynpoistotehon painamalla jousen pölypussin sisään sen tyhjentämisen yhteydessä ja napauttamalla sitä roskakorin tai jätteen siviin.

Varoitus! Älä koskaan käytä sahaa, jos pölypussi ei ole paikoillaan. Puupöly voi olla vaarallista hengittäessä.

Sahalla sahaaminen

Jos liukumistoimintoa ei käytetä, varmista, että sahanterä painetaan mahdollisimman taakse ja että kiskon lukitusruuvi (18) kiristetään. Tämä estää sahan liukumisen kiskoja pitkin työstökappaleen ollessa kytketty paikoilleen.

Huomautus: ÄLÄ LEIKKAA TÄLLÄ SAHALLA RAUTAPITOISIA METALLEJA TAI KIVIMATERIAALEJA (TÄLLÄ SAHALLA VOIDAAN LEIKATA EI-RAUTAPITOISIA METALLEJA). Älä käytä hiovia teriä.

Huomautus: Katso "Suojan toiminta ja näkyvyys" -kohta säätöjä koskevasta osiosta tärkeää tietoa alasuojuksesta ennen sahaamista.

Poikkileikkaukset (kuva N)

Poikkileikkaus suoritetaan leikkaamalla puuta puun syyn vastaisesti missä tahansa kulmassa. Suora poikkileikkaus suoritetaan jiirivarsi nolla-asteen kulmassa. Aseta ja lukitse jiirivarsi nolla-asentoon, pidä puukappaletta tiukasti pöytää ja rajasuojaa vasten. Kun kiskon lukitusruuvi (18) on kiristetty, käännä sahaa painamalla liipaisukytkintä (1). Kun saha saavuttaa täyden nopeuden noin 1 sekunnin kuluessa, laske varsi tasaisesti ja hitaasti puun sahaamiseksi. Anna terän pysähtyä kokonaan ennen varren nostamista. Kun mitoiltaan yli 2 x 4 (51 x 102) työstökappaletta sahataan, käytä ulos-alas-taakse -liikettä, kun kiskon lukitusruuvi (18) on löysä. Vedä saha ulos itseesi päin, laske sahauspää alas

työstökappaleeseen päin ja paina sahaa hitaasti leikkauksen suorittamiseksi. Älä anna sahanterän päästä kosketuksiin työstökappaleen yläosaan, kun vedät sitä ulospäin. Saha voi siirtyä käyttäjään päin, jolloin olemassa on henkilövahinkojen ja työstökappaleen vaurioitumisen vaara.

Varoitus! Käytä aina työvalo hallinnan säilyttämiseksi ja työstökappaleen vaurioitumisvaaran ja henkilövahinkovaaran välttämiseksi, jos käsiesi on oltava 152 mm:n (6") sisällä terästä sahausken aikana.

Huomautus! Kiskon lukitusruuvien (18) on oltava löysällä, jotta saha voi liukua sen kiskoja pitkin.

Jiirin poikkileikkaukset suoritetaan jiirivarren ollessa muussa kuin nollakulmassa.

Tämä kulma on usein 45° kulmien toteuttamiseksi, mutta se voidaan asettaa nollasta 47° vasemmalle tai 47° oikealle.

Suorita leikkaus yllä kuvatulla tavalla.

Kun jiirisahaat leveydeltään yli 2 x 6 levyisiä työstökappaleita, joiden pituus on tätä lyhyempi, aseta aina pitempi sivu rajasuojaa vasten (kuva N).

Puukappaleen viivamerkintää pitkin sahaaminen edellyttää, että kulma täsmää mahdollisimman tarkasti. Leikkaa puuta hiukan pitemmälle ja mittaa etäisyys viivamerkinnästä leikkauksen reunaan määrittäaksesi jiirikulman säätösuunnan ja leikkaa uudelleen. Tämä vaatii hiukan harjoittelua, mutta se on yleinen menettelytapa.

Viistoleikkaukset

Viistosahaus on poikkileikkaus, joka suoritetaan sahanterän ollessa kulmassa puuhun nähden. Aseta viiste löysäämällä viisteen lukitusruuvia (12) ja siirrä sahaa vasemmalle haluttuun kohtaan. Kun olet asettanut haluamasi viistekulman, kiristä viisteen lukitus hyvin. Viistekulmat voidaan asettaa 3° oikealle ja 48° vasemmalle.

Sahausten laatu

Leikkaustuloksen tasaisuus riippuu eri tekijöistä. Leikkauksen laatuun vaikuttavat esimerkiksi sahattava materiaali, terän tyyppi, terän terävyys ja sahausnopeus. Kun haluat suorittaa mahdollisimman tasaisia sahauskia päällystetöihin ja muihin tarkkuustöihin, terävä (60 hampaan karbidikärki) terä ja hitaampi ja tasainen sahausnopeus tuottavat odotetut tulokset. Varmista, ettei materiaali siirry tai valu leikkauksen aikana, kiinnitä se hyvin paikoilleen.

Anna terän aina pysähtyä kokonaan ennen varren nostamista. Jos pieniä puukuituja tulee edelleen ulos työstökappaleen takaosasta, aseta puun leikkauskohtaan teippipala. Sahaa teipin läpi ja poista teippi varoen sahausken jälkeen.

Katso eri sahaustehtävissä sahan suositeltujen sahanterien luetteloa ja valitse omiin tarpeisiisi sopivin. Katso lisätietoa sahanteristä valinnaisten lisävarusteiden osiosta.

Kehon ja käden asento (kuvat O1–O4)

Kehon ja käsien oikeaoppinen asento jiirisahan käytön aikana tekee sahaamisesta helpompaa, tarkempaa ja turvallisempaa. Älä koskaan aseta käsiäsi lähelle leikkausaluetta. Aseta kädet vähintään 152 mm:n (6") etäisyydelle terästä. Pidä työstökappaleita tiukasti pöydällä ja rajasuojassa katkaistessasi. Pidä kätesi paikallaan, kunnes kytkin on vapautettu ja terä pysähtynyt kokonaan.

SUORITA AINA KUIVIA AJOJA (ILMAN VIRTAA) ENNEN SAHAUKSEN VIIMEISTELYÄ, JOTTA VOIT TARKISTAA TERÄN REITIN. ÄLÄ ASETA KÄSIÄ RISTIIN KUVAN O3 MUKAISESTI.

Pidä molemmat jalat vakaasti lattialla ja säilytä oikea tasapaino. Kun siirrä jiirisaha vasemmalle ja oikealle, seuraa säteä ja seiso hiukan sahanterän vieressä. Katso suojuksen säleikön läpi seurattessasi lyijykynällä vedettyä sahauslinjaa.

Työstökappaleen kiinnittäminen

Varoitus! Vakavan henkilövahingon vaaran vähentämiseksi katkaise työkalusta virta ja poista akku ennen kuljettamista, säätämistä tai varusteiden irrottamista tai asentamista. Tahanon käynnistyminen aiheuttaa vahingon.

Varoitus! Ennen sahausta kiinnitetty, tasapainotettu ja varmistettu työstökappale voi olla epätasapainossa sahausken jälkeen. Epätasapainossa oleva kuorma voi aiheuttaa sahan tai muun siihen kiinnitetyn osan (esim. pöydän tai penkin) kallistumisen. Kun sahaat kappaletta, joka voi mennä epätasapainoon, tue työstökappaletta oikein varmistaaksesi, että saha on tiukasti kiinni vakaassa tasossa. Vaarana on henkilövahinko.

Varoitus! Pidikkeen jalan on oltava kiinni sahan pohjan yläpuolella aina, kun pidikettä käytetään. Kiinnitä työstökappale aina sahan pohjaan – älä kiinnitä sitä mihinkään muuhun työalueen kohtaan. Varmista, ettei pidikkeen jalka ole kiinni sahan pohjan reunassa.

Varoitus! Käytä aina työvalo hallinnan säilyttämiseksi ja työstökappaleen vaurioitumisvaaran ja henkilövahinkovaaran välttämiseksi, jos käsiesi on oltava 152 mm:n (6") sisällä terästä sahausken aikana. Jos työstökappaletta ei voida kiinnittää pöytään ja rajasuojaa vasten käsin (epäsäännöllinen muoto jne.) tai käden asento olisi alle 152 mm:n (6") päässä terästä, käytä pidikettä tai muuta kiinnitysvälinettä.

Käytä sahan mukana toimitettua materiaalinpidikettä. Materiaalipidike voidaan hankkia ottamatta yhteyttä paikalliseen jälleenmyyjään tai Stanley FatMax -huoltopalveluun.

Muita apuvälineitä, kuten jousikiristimiä, tankokiristimiä tai C-pidikkeitä voidaan käyttää tietyin kokoisiin ja muotoisiin materiaaleihin. Valitse ja asenna pidikkeet huolella. Suorita käyttötesti ennen varsinaista sahausta.

Pidikkeen asentaminen (kuva P)

- ◆ Aseta pidike (37) rajasuojan takana olevaan reikään (19). Pidikkeen tulee osoittaa jiirisahan takaosaan päin. Pidikkeen varren uran tulee olla kokonaan pohjassa. Varmista, että ura on asetettu kokonaan jiirisahan pohjaan. Jos ura on näkyvissä, pidike ei ole tiukasti kiinni.
- ◆ Kierrä pidikettä 180° jiirisahan etuosaan päin.
- ◆ Löysää nuppia pidikkeen säätämiseksi ylös tai alas, kiinnitä työstökappale sitten tiukasti hienosäätimellä.

Huomautus: Aseta pidike vastakkaiselle puolelle pohjaa viisteen saavuttamiseksi. SUORITA AINA KUIVIA AJOJA (ILMAN VIRTAA) ENNEN SAHAUKSEN VIIMEISTELYÄ, JOTTA VOIT TARKISTAA TERÄN REITIN. VARMISTA, ETTEI PIDIKE OL SAHAN TAI SUOJIIEN TIELLÄ.

Säätäminen

Jiirisaha on säädettään kokonaan ja tarkasti tehtaalla valmistusprosessin aikana. Jos lisäsäädöt ovat tarpeen kuljetuksen tai käsittelyn tai muun syyn vuoksi, säädä saha noudattamalla alla olevia ohjeita.

Kun säädöt on suoritettu, ne jäävät tarpeeksi. Noudata näitä ohjeita tarkoin tässä vaiheessa sahan parhaimman tarkkuuden varmistamiseksi.

Kulma-asteikon säätäminen (kuva Q1)

Lukitse varsi ala-asentoon. Vapauta jiirin lukitusnappi (5) ja käännä jiirin vartta, kunnes jiirin lukituspainike (6) lukitsee sen 0° jiirisentoon. Älä lukitse jiirin lukitusnuppia. Aseta kulmaviivain sahan rajasuojaa ja terää vasten kuvan mukaisesti. (Älä koske terän hampaiden kärkiä kulmaviivaimella. Muutoin mittaustulos on epätarkka.)

Jos sahanteriä ei ole tarkalleen kohtisuorassa rajasuojaan, löysää ja siirrä materiaalin rajasuojaa, kunnes terä on kohtisuorassa rajasuojaan kulmaviivaimella mitattuna. Älä välitä jiirin osoittimen lukitse tässä vaiheessa.

Viisteiviivin pöydän säätämiseen (kuva Q2)

Kohdista terän viivain pöytään, lukitse varsi ala-asentoon lukitustapilla (20). Aseta viivain terää vasten ja varmista, ettei viivain ole hampaan päällä. Löysää viisteen lukitusnuppia (5) ja varmista, että varsi on tiukasti 0° viisteen pysäytintä vasten. Kierrä 0° viisteen säätöruuvia 12,7 mm:n (1/2") terän avaimella (ei kuulu pakkaukseen) tarpeen mukaan niin, että terä on 0° viistekulmassa pöytään nähden kulmaviivaimella mitattuna.

Suojan toiminta ja näkyvyys (kuva V)

Varoitus! Puristumisvaara. Pidä peukalo käyttökahvan alla kahvaa alas vetäessä henkilövahinkojen välttämiseksi. Alasuojus siirtyy ylöspäin, kun käyttökahvaa vedetään alaspäin. Olemassa on tällöin puristumisvaara. Sahan alasuojus (4) poistuu automaattisesti terän päältä, kun

varsi viedään alas, ja se peittää terän, kun varsi nostetaan. Käytä vartta (ilman virtaa) ennen jokaista käyttökertaa tai säätöjen suorittamisen jälkeen ja varmista, että suoja avautuu tasaisesti ja sulkeutuu kokonaan. Se ei saa koskettaa terään. Nosta suoja (ilman virtaa) kuvan V mukaisesti varren ollessa ylhäällä ja vapauta se. Suojan tulee sulkeutua nopeasti kokonaan.

Älä käytä sahaa, jos suoja ei liiku vapaasti ja sulkeudu kokonaan nopeasti. Älä koskaan kiinnitä tai sido suojaa auki sahaa käyttäessä.

Suojus voidaan nostaa käsin, kun sahanteriä asennetaan tai poistetaan tai sahaa halutaan tutkia.

ÄLÄ KOSKAAN NOSTA ALASUOJUSTA KÄSIN, ELLEI TERÄ OLE PYSÄHTYNYT.

Huomautus: Joidenkin suurien materiaalien erityiset sahaustoimenpiteet edellyttävät suojan nostamista käsin. Katso suurien materiaalien leikkausta koskevat ohjeet osiosta "Erityiset sahaustoimenpiteet".

Suojuksen etuosassa on säleikkö näkyvyyden parantamiseksi leikkaamisen aikana. Vaikka säleikkunat vähentävät huomattavasti sinkoutuvia jäämiä, suojassa on aukkoja ja suojalaseja tulee käyttää aina.

Kiskon ohjain

Tarkista kiskot (13) säännöllisesti välyksen varalta. Kiskot voidaan puhdistaa kuivalla ja puhtaalla liinalla.

Taulukehysten, laatikoiden ja muiden nelitahoisten esineiden leikkaaminen (kuvat R1, R2)

Ymmärtääksesi parhaiten tässä kuvattujen esineiden valmistamisen, suosittelemme kokeilemaan muutamaa helppoa projektia koekappaleiden avulla, kunnes olet perehtynyt sahan käyttöön paremmin.

Tämä saha on täydellinen väline kulmien jiirisahaukseen, katso esimerkki kuvasta R1. Kuvan R2 kaavio A esittää liitoksen, joka on toteutettu viisteen säädöllä kahden levyn reunojen 45° viisteyttämiseksi 90° nurkan luomiseksi. Tässä liitoksessa jiirisahan varsi lukittiin nolla-asentoon ja viisteen säätöarvoksi lukittiin 45°. Puukappale asetettiin laaja ja litteä puoli pöytää vasten ja kapea reuna rajasuojaa vasten. Leikkaus voidaan suorittaa myös jiirisahaamalla oikea ja vasen puoli laajan pinnan ollessa rajasuojaa vasten.

Verhoilulijosten ja muiden kehysten sahaus (kuva R2)

Kohde B kuvassa R2 osoittaa liitoksen, joka on suoritettu asettamalla jiirin varsi 45° ja sahaamalla kaksi reunaa 90° kulman muodostamiseksi. Vastaavan liitoksen suorittamiseksi viisteen säätö on asetettava nolnaan ja jiirin varsi 45°. Puukappale asetetaan laaja ja litteä puoli pöytää vasten ja kapea reuna rajasuojaa vasten.

Kuvat R1 ja R2 ovat ainoastaan nelisivuisia esineitä varten. Koska sivujen määrä muuttuu, muuttuvat myös jiirin kulma ja viistekulma. Alla oleva taulukko sisältää oikeat kulma-asetukset eri muotoja varten.

Esimerkit

| Sivujen lukumäärä | Jiirisahan kulma tai viistekulma |
|-------------------|----------------------------------|
| 4 | 45° |
| 5 | 36° |
| 6 | 30° |
| 7 | 25,7° |
| 8 | 22,5° |
| 9 | 20° |
| 10 | 18° |

Kaaviossa oletetaan, että kaikki sivut ovat samanpituisia. Jos jotakin muotoa ei ole taulukossa, käytä seuraavaa kaaviota: 180° jaettuna sivujen lukumäärällä on sama kuin jiirisahan (jos materiaalia leikataan kohtisuorassa) kulma tai viistekulma (jos materiaalia leikataan tasaisella alustalla).

Yhdistetty jiiri- ja viistesahaus (kuva R3)

Yhdistetyssä sahauskassa käytetään jiirikulmaa ja viistekulmaa samanaikaisesti. Tätä sahaustyyppiä käytetään kehyksien tai laatikoiden sahaamiseen viistoilla sivuilla, katso esimerkki kuvasta R3.

Huomautus: Jos sahauskulma vaihtelee kappalekohtaisesti, tarkista, että viisteen lukitusnuppi ja jiirisajan lukituskahva on kiinnitetty hyvin. Ne on lukittava sen jälkeen, kun viistekulmaa tai jiirikulmaa on muutettu. Tämän ohjekirjan lopussa oleva taulukko (taulukko 1) auttaa valitsemaan oikean viistekulman ja jiirisahan asetukset yleisissä yhdistelmäsahaustuksissa. Käytä taulukkoa valitsemalla haluamasi kulma A (kuva R3) ja määritä sen sijainti taulukon kaareissa. Katso siitä kohdasta suoraan alas ja näet oikean viistekulman ja suoraan toisella puolella näet oikean jiirikulman.

Aseta saha määritettyihin kulmiin ja suorita muutama harjoitus koekappaleisiin. Harjoittele leikkauskappaleiden yhteen asentamista toimenpiteen harjoittelemiseksi.

Esimerkki: Voit toteuttaa 4-puolisen laatikon 26° ulkoisilla kulmilla (kulma A, kuva R3) käyttämällä ylhäällä oikealla olevaa kaarta. Määritä 26° sijainti kaaren asteikossa. Seuraa vaakasuuntaista viivaa pitkin jommalla kummalla puolella sahan viistekulman asettamiseksi (42°). Seuraa samalla tavoin pystysuoraa viivaa pitkin ylös tai alas määrittäaksesi viistekulman sahaan (18°). Kokeile leikkausta aina muutamana koekappaleeseen sahan asetusten tarkistamiseksi.

Lattialistojen sahaus (kuva S) Suorat 90° -sahaukset: Aseta puukappale rajasuojaa vasten ja pitele sitä paikoillaan kuvan S mukaisesti. Käynnistä saha, anna terän saavuttaa täysi nopeus ja laske varsi tasaisesti leikkauksen läpi.

Korkeintaan 90 mm (3,5") korkean lattialistan sahaaminen kohtisuorassa rajasuojaa vasten

Aseta materiaali kuvan S mukaisesti. Kaikki sahaukset tulee suorittaa listan takaosa rajasuojaa vasten ja alaosa pöytää vasten.

| | Sisäkulma | Ulkokulma |
|-------------|--|--|
| Vasen puoli | Jiirikulma vasemmalla 45° Säilytä sahauskseen vasen puoli | Jiirikulma oikealla 45° Säilytä sahauskseen vasen puoli |
| Oikea puoli | Jiirikulma oikealla 45° Säilytä sahauskseen oikea puoli | Jiirikulma vasemmalla 45° Säilytä sahauskseen oikea puoli |

Korkeintaan 90 mm:n (3,5") materiaalia voidaan sahata yllä mainitulla tavalla.

Päällystojen sahaaminen

Jotta lista sopisi oikein, päällystiat tulee jiirisahata erittäin tarkasti sahausyhdistelmää käyttämällä.

Päällystijojen kaksi tasapintaa ovat kulmissa, joiden kokonaisuus on tarkalleen 90°. Useimmissa päällystioissa, ei kuitenkaan kaikissa, on ylempi takakulma (tasaisesti kattoa vasten oleva osio) 52° ja alempi takakulma (tasaisesti seinää vasten oleva osio) 38°.

Jiirisahassa on erityiset esiasetetut jiirin syvennykset 31,6° vasemmalla ja oikealla päällystijojen sahaamiseksi oikeassa kulmassa. Viistoasteikolla on myös merkki arvossa 33,8°. Viistesetuksen/leikkaustyyppin taulukko sisältää oikeat asetukset päällystijojen sahauskseen. (Jiirin ja viistesetukset ovat erittäin tarkkoja ja niiden tarkka asettaminen sahaan ei ole helppoa). Koska useimmissa huoneissa ei ole tarkalleen 90° kulmia, asetuksien hienosäätö on joka tapauksessa tarpeen.

Ohjeet päällystijojen sahaamiseen tasaisella alustalla ja yhdistelmätoimintoja käyttäen

- ◆ Aseta päällystia leveä takapinta alapäin tasaisesti sahauspöydälle (36) (kuva T1).
- ◆ Alla olevat asetukset soveltuvat kaikkiin vakiomallisiin päällystioihin, joissa on 52° ja 38° kulmat.

| Viistesetus | Leikkaustyyppi |
|-------------|---|
| 33,8° | VASEN PUOLI, SISÄKULMA: 1. Päällystian yläosa rajasuojaa vasten 2. Jiirisahan pöytä oikealla 31,62° 3. Säilytä sahauskseen vasen pää |
| 33,8° | OIKEA PUOLI, SISÄKULMA: 1. Päällystian alaosa rajasuojaa vasten 2. Jiirisahan pöytä vasemmalla 31,62° 3. Säilytä sahauskseen vasen pää |

| Viisteasetus | Leikkaustyyppi |
|--------------|--|
| 33,8° | VASEN PUOLI, ULKOKULMA: 1. Päälystisan alaosa rajasuojaa vasten 2. Jiirisahan pöytä vasemmalla 31,62° 3. Säilytä sahausksen oikea pää |
| 33,8° | OIKEA PUOLI, ULKOKULMA: 1. Päälystisan yläosa rajasuojaa vasten 2. Jiirisahan pöytä oikealla 31,62° 3. Säilytä sahausksen oikea pää |

Huomautus: Kun viiste- ja jiirikulmia asetetaan kaikkiin yhdistettyihin jiiri- ja viistesahauksiin, huomaa, että päälystijestojen annettut kulmat ovat erittäin tarkkoja ja niiden tarkka asetaminen on vaikeaa. Koska ne voivat helposti siirtyä hiukan ja vain harvoin huoneissa on tarkalleen suorakulmaiset nurkat, kaikkia asetuksia kannattaa kokeilla ensin koekappaleeseen.

Vaihtoehtoinen tapa sahata päälystijestojä

Aseta päälystijesta kulmaan rajasuojan (11) ja sahauspöydän (36) väliin niin, että päälystijestan yläpuoli on pöydässä ja alapuoli rajasuojassa kuvan T1 mukaisesti. Tämän menetelmän käyttäminen päälystijestojen sahaamiseen ei vaadi viisteleikkauksia. Jiirikulmaa voidaan muuttaa minuuteilla ilman, että se vaikuttaisi viistekulmaan. Kun muita kuin 90° kulmia esiintyy, saha voidaan säätää niihin nopeasti ja helposti.

Ohjeet sellaisten päälystijestojen sahauskseen, jossa kulmat ovat rajasuojan ja sahan pohjan välissä kaikissa sahausksissa

Tällä sahalla voidaan sahata jopa 14 mm (9/16") x 92 mm (3-5/8") sisäkkäisiä päälystijestojä.

- ◆ Aseta lista kulmaan niin, että sen alaosa (asennuksessa seinää vasten asetettava osa) on rajasuojaa (11) vasten ja listan yläosa on sahauspöytä (36) vasten kuvan T2 mukaisesti.
- ◆ Listan takaosassa olevien kulmittaisten "tasaisten osien" on oltava tiukasti rajasuojaa ja sahauspöytä (36) vasten.

| | Sisäkulma | Ulkokulma |
|-------------|---|---|
| Vasen puoli | Jiirikulma oikealla 45° Säilytä sahausksen oikea puoli | Jiirikulma vasemmalla 45° Säilytä sahausksen oikea puoli |
| Oikea puoli | Jiirikulma vasemmalla 45° Säilytä sahausksen vasen puoli | Jiirikulma oikealla 45° Säilytä sahausksen vasen puoli |

Erityiset sahaustoimenpiteet

Älä koskaan aloita sahausta, ellei materiaalia ole kiinnitetty hyvin pöytään ja rajasuojaa vasten.

Taipuneet materiaalit (kuvat U1, U2)

Kun sahaat taipunutta materiaalia, aseta se aina kuvan U1 mukaisesti, älä koskaan aseta sitä kuten kuvassa U2. Jos materiaali asetetaan virheellisesti, se puristaa terää loppuosan lähellä.

Pyöreän materiaalin leikkaaminen

Pyöreä materiaali tulee kiinnittää tai sitä tulee pitää hyvin paikoillaan rajasuojaa vasten sen pyörimisen estämiseksi. Tämä on erityisen tärkeää kulmikkaita sahaustoimenpiteitä suorittaessa.

Suuren materiaalien sahaaminen (kuva V)

Joskus sahattava puukappale voi olla liian suuri alasuojuksen alle. Poista puun yllä oleva suoja sahan ollessa pois päältä ja pitämällä oikeaa kättä käyttökahvassa, aseta oikea peukalo suojan yläosan ulkopuolelle ja vieritä suoja ylöspäin juuri riittävästi niin, että se irtoaa puusta kuvan V mukaisesti. Vapauta suoja ennen moottorin käynnistämistä. Suojamekanismi toimii oikein sahaamisen aikana. Suorita tämä ainoastaan tarvittaessa.

ÄLÄ KOSKAAN SIDO, TEIPPAA TAI PIDÄ MUULLA TAVALLA SUOJUSTA AUKI SAHAN KÄYTÖN AIKANA.

Huolto

Varoitus! Vakavan henkilövahingon vaaran vähentämiseksi katkaise työkalusta virta ja poista akku ennen kuljettamista, säätämistä tai varusteiden irrottamista tai asentamista. Tahanon käynnistyminen aiheuttaa vahingon.

Varoitus! Vakavan henkilövahinkovaaran välttäminen:

Terän teräviin osiin EI SAA koskea sormilla tai käsillä huollon aikana.

ÄLÄ käytä voiteluaineita tai puhdistusaineita (erityisesti suihekeitä tai aerosoleja) muovisen suojan läheisyydessä. Jotkin kemikaalit voivat vaikuttaa suojan polykarbonaattimateriaaliin.

- ◆ Kaikki laakerit on tiivistetty. Ne on voideltu pysyvästi eikä niitä tarvitse huoltaa.
- ◆ Puhdista pöly ja puulastut säännöllisesti pohjan ja pyörivän pöydän ympäriltä JA ALTA. Vaikka jäämät poistuvat aukkojen kautta, pölyä voi hiukan kertyä.
- ◆ Harjat on suunniteltu useiden vuosien käyttöä varten. Jos niiden vaihto on tarpeen, palauta työkalu korjattavaksi lähimpään huoltopalveluun.

Vianetsintä

| Ongelma | Mahdollinen syy | Ratkaisu |
|--------------------|--------------------------|--|
| Saha ei käynnisty. | Akkua ei ole asennettu. | Asenna akku. Katso kohta "Akun asentaminen ja irrottaminen". |
| | Akkua ei ole latautunut. | Lataa akku. Katso latausohjeet. |
| | Harjat ovat kuluneet. | Anna valittujen huoltopalvelun vaihtaa harjat. |

| Ongelma | Mahdollinen syy | Ratkaisu |
|-------------------------------|---|--|
| Sahaustulos on huono. | Tylsä terä. | Vaihda terä. Katso kohta "Uuden sahanterän vaihtaminen tai asentaminen". |
| | Saha on asennettu taaksepäin. | Käännä terä toisinpäin. Katso kohta "Uuden sahanterän vaihtaminen tai asentaminen". |
| | Terässä on liimaa tai pihkaa. | Poista terä ja puhdista se karkealla teräsvillalla ja tärpätillä tai uunin puhdistusaineella. |
| | Virheellinen terä käyttösovellukseen. | Vaihda terämallia. |
| Työvalo vilkkuu. | Akku ei ole latautunut. | Lataa akku. Katso latausohjeet. |
| Laite tärisee liikaa. | Sahaa ei ole asennettu tiukasti jalustaan tai penkkiin. | Kiristä kaikki kiinnitysosat. Katso kohta "Penkkiin asentaminen". |
| | Jalusta tai penkki on epätasaisella alustalla. | Aseta se tasaiselle alustalle. |
| Epätarkat jirileikkaukset. | Vaurioitunut sahanterä. | Vaihda terä. Katso kohta "Uuden sahanterän vaihtaminen tai asentaminen". |
| | Virheellisesti säädetty jirirasteikko. | Tarkista ja säädä. Katso kohta "Jirirasteikon säätäminen" osiossa "Säädöt". |
| | Terä ei ole suorakulmassa rajasuojaan. | Tarkista ja säädä. Katso kohta "Jirirasteikon säätäminen" osiossa "Säädöt". |
| | Terä ei ole kohtisuorassa pöytään. | Tarkista ja säädä rajasuojaa. Katso kohta "Viisteiviivain pöydän säätämiseen" osiossa "Säädöt". |
| | Työstökappale liikkuu | Kiinnitä työstökappale hyvin rajasuojaan tai liimaa karkeudeltaan 120:n hiomapaperia rajasuojaan kumiliimalla. |
| | Uurroslevy kulunut tai vaurioitunut. | Vie valtuutettuun huoltopalveluun. |
| Materiaali jää kiinni terään. | Leikkattava materiaali on kaarevaa. | Katso "Kaareva materiaali" osiossa "Erytiset sahaustoimenpiteet". |

| | | | |
|----------------------------------|--------------|-----|----------|
| Terän paksuus | mm | 1,0 | |
| Jiririsaus (ääriasennot) | ° | 47 | |
| Viistosahaus (ääriasennot) | ° | 47 | |
| 0 asteen jirikulma | vaakasuuunta | mm | 50 x 216 |
| | pystysuuunta | mm | 90 x 15 |
| 45 asteen jirikulma oikealle | vaakasuuunta | mm | 50 x 152 |
| | pystysuuunta | mm | 90 x 15 |
| 45 asteen jirikulma vasemmalle | vaakasuuunta | mm | 50 x 152 |
| | pystysuuunta | mm | 90 x 15 |
| 45 asteen viistekulma vasemmalle | vaakasuuunta | mm | 50 x 152 |
| | pystysuuunta | mm | 50 x 15 |

| Laturi | | 905998** typ. 1 | 906086** typ. 1 |
|---------------------|-----------------|-----------------|-----------------|
| Syöttöjännite | V _{AC} | 230 | 230 |
| Lähtöjännite | V _{DC} | 18 | 18 |
| Latausvirta | A | 1 | 2 |
| Arvioitu latausaika | min | 90 - 240 | 45 - 120 |

| Akku | | FMC689L | FMC687L | FMC688L |
|---------|-----------------|---------|---------|---------|
| Jännite | V _{DC} | 18 | 18 | 18 |
| Teho | Ah | 1,5 | 2,0 | 4,0 |
| Tyyppi | | Li-Ion | Li-Ion | Li-Ion |

| Äänenpainetaso, määritetty EN 62841-standardin mukaan: | |
|--|------------------------------------|
| L _{PA} (äänenpaine) | 83,0 dB(A), Epävarmuus (K) 3 dB(A) |
| L _{WA} (ääniteho) | 94,5 dB(A), Epävarmuus (K) 3 dB(A) |

EY-vaatimustenmukaisuusvakuutus

KONEDIREKTIIVI



FMCS701 Liukuva yhdistelmäjiirisaha

Stanley Europe ilmoittaa, että tuotteet, jotka on kuvattu kohdassa Tekniset tiedot, täyttävät seuraavien direktiivien vaatimukset:

EN62841-1:2015, EN62841-3-9:2015+A11:2017

Nämä tuotteet täyttävät myös direktiivien 2006/42/EY, 2014/30/EY ja 2011/65/EY vaatimukset.

Lisätietoja saa ottamalla yhteyttä Stanley Fat Max -yhtiön seuraavaan osoitteeseen. Tiedot ovat myös käyttöoppaan takakannessa.

Ympäristönsuojelu



Toimita tämä laite erillisröykkeeseen. Tällä symbolilla merkityjä tuotteita ja akkuja ei saa hävittää tavallisen kotitalousjätteen mukana.

Tuotteissa ja akuissa on materiaaleja, jotka voidaan ottaa talteen tai kierrättää uudelleen käyttöä varten. Kierrätä sähkölaitteet ja akut paikallisten määräyksien mukaan. Lisätietoa on saatavilla osoitteessa www.2helpU.com

Tekniset tiedot

| FMCS701 (H1) | | |
|--------------------------|------|-------|
| Jännite | V | 18 |
| Nopeus | /min | 3 800 |
| Terän ulkoinen läpimitta | mm | 190 |
| Reiän halkaisija | mm | 16 |
| Terän maks. uurroslevy | mm | 1,8 |
| Paino ilman akkua | kg | 10 |

Allekirjoittanut vastaa teknisten tietojen kokoamisesta tehden tämän ilmoituksen Stanley Fat Max.



Ray Laverick
Teknisen osaston johtaja
Stanley Fat Max Europe, 210 Bath Road, Slough,
Berkshire, SL1 3YD
Iso-Britannia
28.6.2018

Takuu

Stanley Europe on vakuuttanut tuotteidensa korkeasta laadusta ja tarjoaa kuluttajille 12 kuukauden takuun, joka astuu voimaan ostopäivänä. Takuu on lisäys kuluttajan lailisiin oikeuksiin eikä vaikuta niihin. Tämä takuu on voimassa kaikissa EU- ja ETA-maissa.

Edellytyksenä takuun saamiselle on, että vaade täyttää Stanley Fat Maxin ehdot ja että ostaja toimittaa ostotositteen jälleenmyyjälle tai valtuutetulle huoltoliikkeelle. Stanley Europe yhden vuoden takuun ehdot ja lähimmän valtuutetun korjauspalvelun yhteystiedot ovat saatavilla osoitteessa www.2helpU.com tai ottamalla yhteyttä paikalliseen Stanley Europeen toimipisteeseen tässä ohjekirjassa ilmoitettuihin osoitteisiin.

Käy verkkosivullamme osoitteessa www.stanley.eu/3 ja rekisteröi uusi Stanley Fat Max -tuotteesi. Sivuilta saat myös päivityksiä uusista tuotteista ja erikoistarjouksista.

Προβλεπόμενη χρήση

Το συρμένο σύνθετο φαλτσοπρίο Stanley Fat Max FMCS701 είναι σχεδιασμένο μόνο για το πριόνισμα ξύλου, πλαστικών και μη σιδηρούχων μετάλλων. Αυτό το εργαλείο προορίζεται για επαγγελματική και ιδιωτική, μη επαγγελματική χρήση.

Οδηγίες ασφαλείας

Γενικές προειδοποιήσεις ασφαλείας για ηλεκτρικά εργαλεία



Προειδοποίηση! Διαβάστε όλες τις προειδοποιήσεις ασφαλείας, τις οδηγίες, τις απεικονίσεις και τις προδιαγραφές που συνοδεύουν το ηλεκτρικό εργαλείο. Η μη τήρηση των παρακάτω προειδοποιήσεων και οδηγιών μπορεί να προκαλέσει ηλεκτροπληξία, πυρκαγιά και/ή σοβαρές σωματικές βλάβες.

Φυλάξτε όλες τις προειδοποιήσεις και τις οδηγίες για μελλοντική αναφορά. Ο όρος "ηλεκτρικό εργαλείο" που χρησιμοποιείται σε όλες τις παρακάτω προειδοποιήσεις, αναφέρεται είτε σε εργαλείο που λειτουργεί με ρεύμα δικτύου (ρεύματος - με καλώδιο) είτε σε εργαλείο που λειτουργεί με μπαταρία (μπαταρίας - χωρίς καλώδιο).

1. Ασφάλεια χώρου εργασίας

- α. Διατηρείτε το χώρο εργασίας καθαρό και καλά φωτισμένο. Οι ατακτοποιητοί ή σκοτεινοί χώροι γίνονται αιτίες ατυχημάτων.
- β. Μη χρησιμοποιείτε ηλεκτρικά εργαλεία σε περιβάλλον όπου υπάρχει κίνδυνος έκρηξης, όπως με παρουσία εύφλεκτων υγρών, αερίων ή σκόνης. Τα ηλεκτρικά εργαλεία παράγουν σπινθήρες που μπορεί να προκαλέσουν ανάφλεξη της σκόνης ή των αναθυμιάσεων.
- γ. Όταν χρησιμοποιείτε ηλεκτρικό εργαλείο, κρατάτε μακριά τα παιδιά και άλλα άτομα. Παράγοντες που αποσπούν την προσοχή μπορεί να σας κάνουν να χάσετε τον έλεγχο.

2. Ασφαλής χρήση ηλεκτρικού ρεύματος

- α. Τα φως των ηλεκτρικών εργαλείων πρέπει να ταιριάζουν στην πρίζα. Σε καμία περίπτωση μην τροποποιήσετε το φως, με κανένα τρόπο. Μη χρησιμοποιείτε φως προσαρμογής με γειωμένα ηλεκτρικά εργαλεία. Τα φως που δεν έχουν υποστεί τροποποιήσεις και οι κατάλληλες πρίζες μειώνουν τον κίνδυνο ηλεκτροπληξίας.
- β. Αποφεύγετε την επαφή του σώματός σας με γειωμένες επιφάνειες, όπως σωλήνες, καλοριφέρ, κουζίνες και ψυγεία. Υπάρχει αυξημένος κίνδυνος ηλεκτροπληξίας αν το σώμα σας είναι γειωμένο.

- γ. Μην εκθέτετε τα ηλεκτρικά εργαλεία σε βροχή ή υγρασία. Η διείσδυση νερού σε ένα ηλεκτρικό εργαλείο αυξάνει τον κίνδυνο ηλεκτροπληξίας.
- δ. Μην κακομεταχειρίζεστε το καλώδιο. Ποτέ μη χρησιμοποιήσετε το καλώδιο για να μεταφέρετε, να τραβήξετε ή να αποσυνδέσετε από την πρίζα το ηλεκτρικό εργαλείο. Κρατάτε το καλώδιο μακριά από θερμότητα, λάδια, αιχμηρά άκρα ή κινούμενα μέρη. Τα καλώδια που έχουν υποστεί ζημιά ή είναι μπερδεμένα αυξάνουν τον κίνδυνο ηλεκτροπληξίας.
- ε. Όταν χρησιμοποιείτε ηλεκτρικό εργαλείο σε εξωτερικούς χώρους, να χρησιμοποιείτε πάντοτε καλώδιο επέκτασης κατάλληλο για εργασία σε εξωτερικούς χώρους. Η χρήση καλωδίου κατάλληλου για εργασία σε εξωτερικούς χώρους μειώνει τον κίνδυνο ηλεκτροπληξίας.
- στ. Εάν είναι αναπόφευκτη η χρήση ενός ηλεκτρικού εργαλείου σε συνθήκες υγρασίας, χρησιμοποιήστε μια διάταξη προστασίας από ρεύμα διαρροής (RCD). Η χρήση μιας διάταξης RCD μειώνει τον κίνδυνο ηλεκτροπληξίας.
3. Προσωπική ασφάλεια
- α. Όταν χρησιμοποιείτε ηλεκτρικό εργαλείο, να είστε σε εγρήγορση, να συγκεντρώνεστε στην εργασία που κάνετε και να επιστρατεύετε την κοινή λογική. Μη χρησιμοποιείτε ηλεκτρικό εργαλείο όταν είστε κουρασμένος/η ή υπό την επήρεια ναρκωτικών, οινοπνεύματος ή φαρμακευτικής αγωγής. Μια στιγμή απροσεξίας κατά τη χρήση ηλεκτρικών εργαλείων μπορεί να προκαλέσει σοβαρό τραυματισμό.
- β. Να χρησιμοποιείτε ατομικό εξοπλισμό προστασίας. Πάντα φοράτε προστασία ματιών. Ο εξοπλισμός προστασίας, όπως μάσκα κατά της σκόνης, αντιολισθητικά παπούτσια ασφαλείας, κράνος ή προστασία ακοής, όταν χρησιμοποιείται για τις κατάλληλες συνθήκες, θα μειώσει τους τραυματισμούς και τις σωματικές βλάβες.
- γ. Αποτρέπετε την ακούσια ενεργοποίηση. Βεβαιωθείτε ότι ο διακόπτης βρίσκεται στη θέση απενεργοποίησης, πριν συνδέσετε το εργαλείο στην πηγή ρεύματος και/ή τοποθετήσετε το πακέτο μπαταρίας, καθώς και πριν πάρετε στα χέρια σας ή μεταφέρετε το εργαλείο. Η μεταφορά ηλεκτρικών εργαλείων με το δάχτυλο πάνω στο διακόπτη ή τη σύνδεση στο ρεύμα ηλεκτρικών εργαλείων με το διακόπτη στη θέση ενεργοποίησης, ενέχει κινδύνους ατυχημάτων.
- δ. Πριν θέσετε το ηλεκτρικό εργαλείο σε λειτουργία, αφαιρέστε τυχόν εργαλεία ή κλειδιά ρύθμισης. Εάν αφήσετε ένα εργαλείο ή κλειδί πάνω σε κάποιο περιστρεφόμενο εξάρτημα του ηλεκτρικού εργαλείου, μπορεί να προκληθούν τραυματισμοί.
- ε. Μην τεντώνεστε υπερβολικά. Διατηρείτε πάντα σταθερή στήριξη στα πόδια σας και καλή ισορροπία. Έτσι μπορείτε να έχετε καλύτερο έλεγχο του ηλεκτρικού εργαλείου σε μη αναμενόμενες καταστάσεις.
- στ. Φοράτε κατάλληλη ενδυμασία εργασίας. Μη φοράτε φορδιά ρούχα ούτε κοσμήματα. Κρατάτε τα μαλλιά, τα ρούχα και τα γάντια σας μακριά από κινούμενα μέρη. Τα χαλαρά ρούχα, τα κοσμήματα και τα μακριά μαλλιά μπορούν να πιαστούν σε κινούμενα μέρη.
- ζ. Αν παρέχονται διατάξεις για τη σύνδεση συστημάτων απομάκρυνσης και συλλογής της σκόνης, βεβαιωθείτε ότι αυτές είναι συνδεδεμένες και χρησιμοποιούνται σωστά. Η χρήση διατάξεων συλλογής της σκόνης μπορεί να μειώσει τους κινδύνους που προέρχονται από τη σκόνη.
- η. Μην αφήνετε την εξοικείωση που έχετε αποκτήσει από τη συχνή χρήση εργαλείων να σας επιτρέψει να εφησυχάσετε ώστε να αγνοείτε τις αρχές ασφαλούς χρήσης των εργαλείων. Μια απρόσεκτη ενέργεια μπορεί να προκαλέσει βαρύ τραυματισμό μέσα σε κλάσματα του δευτερολέπτου.
4. Χρήση και φροντίδα ηλεκτρικών εργαλείων
- α. Μην υπερφορτώνετε το ηλεκτρικό εργαλείο. Χρησιμοποιείτε το σωστό ηλεκτρικό εργαλείο για την εφαρμογή σας. Το σωστό ηλεκτρικό εργαλείο θα εκτελέσει την εργασία καλύτερα και ασφαλέστερα, με την ένταση χρήσης για την οποία σχεδιάστηκε.
- β. Μη χρησιμοποιήσετε το ηλεκτρικό εργαλείο αν ο διακόπτης του δεν μπορεί να το ενεργοποιεί και απενεργοποιεί. Ένα ηλεκτρικό εργαλείο του οποίου η λειτουργία δεν μπορεί να ελεγχθεί με το διακόπτη είναι επικίνδυνο και πρέπει να επισκευαστεί.
- γ. Αποσυνδέστε το φως από την πηγή ρεύματος και/ή το πακέτο μπαταρίας από το ηλεκτρικό εργαλείο, πριν διεξαγάγετε οποιαδήποτε ρύθμιση, αλλαγή αξεσουάρ ή όταν πρόκειται να αποθηκεύσετε το ηλεκτρικό εργαλείο. Τέτοια προληπτικά μέτρα ασφαλείας μειώνουν τον κίνδυνο αβέλτηρης εκκίνησης του ηλεκτρικού εργαλείου.
- δ. Να φυλάσσετε μακριά από παιδιά τα ηλεκτρικά εργαλεία που δεν χρησιμοποιείτε. Μην αφήνετε να χρησιμοποιήσουν ηλεκτρικό εργαλείο άτομα που δεν είναι εξοικειωμένα με αυτό ή άτομα που δεν έχουν διαβάσει αυτές τις οδηγίες χρήσης. Τα ηλεκτρικά εργαλεία είναι επικίνδυνα στα χέρια μη εκπαιδευμένων χρηστών.
- ε. Συντηρείτε τα ηλεκτρικά εργαλεία και τα αξεσουάρ. Ελέγχετε για προβλήματα ευθυγράμμισης ή για μάγκωμα των κινούμενων εξαρτημάτων, θραύση εξαρτημάτων, καθώς και για οποιοδήποτε άλλο πρόβλημα μπορεί να επηρεάσει τη λειτουργία των ηλεκτρικών εργαλείων. Αν το ηλεκτρικό εργαλείο έχει υποστεί ζημιά, φροντίστε να επισκευαστεί πριν το

χρησιμοποιήσετε. Η ανεπαρκής συντήρηση των ηλεκτρικών εργαλείων αποτελεί αιτία πολλών ατυχημάτων.

στ. Διατηρείτε τα κοπτικά εργαλεία κοφτερά και καθαρά.

Τα κοπτικά εργαλεία με κοφτερές κοπτικές αιχμές που συντηρούνται σωστά έχουν λιγότερες πιθανότητες να μαγκώσουν και ελέγχονται ευκολότερα.

- ζ. Να χρησιμοποιείτε το ηλεκτρικό εργαλείο, τα αξεσουάρ και τις μύτες του εργαλείου κλπ. σύμφωνα με τις παρούσες οδηγίες, λαμβάνοντας υπόψη σας τις συνθήκες εργασίας και την εργασία που θέλετε να εκτελέσετε.** Η χρήση του ηλεκτρικού εργαλείου για εργασίες διαφορετικές από τις προβλεπόμενες θα μπορούσε να οδηγήσει σε επικίνδυνη κατάσταση.
- η. Διατηρείτε τις λαβές και τις επιφάνειες κρατηματος στεγνές, καθαρές και απαλλαγμένες από λάδι και γράσο.** Οι ολισθηρές λαβές και οι λαδωμένες επιφάνειες κρατηματος δεν επιτρέπουν τον ασφαλή χειρισμό και έλεγχο του εργαλείου σε μη αναμενόμενες καταστάσεις.

5. Χρήση και φροντίδα εργαλείων μπαταρίας

- α. Να επαναφορτίζετε μόνο με το φορτιστή που καθορίζει ο κατασκευαστής.** Ένας φορτιστής που είναι κατάλληλος για ένα τύπο πακέτου μπαταρίας μπορεί να δημιουργήσει κίνδυνο πυρκαγιάς όταν χρησιμοποιείται με άλλο πακέτο μπαταρίας.
- β. Χρησιμοποιείτε τα ηλεκτρικά εργαλεία αποκλειστικά και μόνο με τα καθοριζόμενα πακέτα μπαταριών.** Η χρήση άλλων πακέτων μπαταριών μπορεί να προκαλέσει κίνδυνο τραυματισμού και πυρκαγιάς.
- γ. Όταν το πακέτο μπαταρίας δεν χρησιμοποιείται, κρατάτε το μακριά από άλλα μεταλλικά αντικείμενα, όπως συνδετήρες, κέρματα, κλειδιά, καρφιά, βίδες ή άλλα μικρά μεταλλικά αντικείμενα που μπορεί να βραχυκυκλώσουν τους δύο ακροδέκτες του.** Αν βραχυκυκλωθούν οι ακροδέκτες της μπαταρίας, μπορεί να προκληθούν εγκαύματα ή πυρκαγιά.
- δ. Αν οι μπαταρίες υποστούν κακομεταχείριση, μπορεί να διαρρέει υγρό. Αποφυγείτε την επαφή. Αν κατά λάθος έρθετε σε επαφή, ξεπλύνετε με νερό. Σε περίπτωση που το υγρό έλθει σε επαφή με τα μάτια σας, ζητήστε επιπλέον και ιατρική βοήθεια.** Το υγρό που εξέρχεται από την μπαταρία μπορεί να προκαλέσει ερεθισμούς ή εγκαύματα.
- ε. Μη χρησιμοποιήσετε πακέτο μπαταρίας ή εργαλείο που έχει υποστεί ζημιά ή τροποποίηση.** Οι μπαταρίες που έχουν υποστεί ζημιά ή τροποποίηση μπορεί να έχουν απρόβλεπτη συμπεριφορά, με αποτέλεσμα φωτιά, έκρηξη ή κίνδυνο τραυματισμού.
- στ. Μην εκθέσετε ένα πακέτο μπαταρίας ή εργαλείο σε φωτιά ή υπερβολική θερμοκρασία.** Η έκθεση σε φωτιά ή σε θερμοκρασία πάνω από 130 °C μπορεί να προκαλέσει έκρηξη.

- ζ. Τηρείτε όλες τις οδηγίες φόρτισης και μη φορτίζετε το πακέτο μπαταρίας ή το εργαλείο εκτός των ορίων θερμοκρασίας που ορίζονται στις προδιαγραφές.** Η ακατάλληλη φόρτιση ή η φόρτιση σε θερμοκρασίες εκτός των προβλεπόμενων ορίων μπορεί να προξενήσει ζημιά στην μπαταρία και να αυξήσει τον κίνδυνο φωτιάς.

6. Σέρβις

- α. Αναθέστε το σέρβις του ηλεκτρικού σας εργαλείου σε εξειδικευμένο τεχνικό επισκευών που χρησιμοποιεί μόνο γνήσια ανταλλακτικά.** Έτσι θα εξασφαλίσετε τη διατήρηση της ασφάλειας του ηλεκτρικού εργαλείου.
- β. Ποτέ μην κάνετε σέρβις σε πακέτα μπαταριών που έχουν υποστεί ζημιά.** Το σέρβις των πακέτων μπαταριών πρέπει να γίνεται μόνο από τον κατασκευαστή ή από εξουσιοδοτημένους παρόχους σέρβις.

Οδηγίες ασφαλείας για φάλτσοπρίονα

- ◆ Τα φάλτσοπρίονα προορίζονται για κοπή ξύλου ή προϊόντων παρόμοιων με ξύλο και δεν μπορούν να χρησιμοποιηθούν με λειαντικούς τροχούς κοπής για την κοπή σιδηρούχων υλικών όπως σιδερένιου οπλισμού, ράβδων, μπουζονιών κλπ. Η σκόνη από τη λείανση προκαλεί το κόλλημα κινούμενων εξαρτημάτων όπως είναι ο κάτω προφυλακτήρας. Οι σπινθήρες από την κοπή με λείανση θα κάψουν τον κάτω προφυλακτήρα, το ένθετο εντομής κοπής και άλλα πλαστικά εξαρτήματα.
- ◆ Να χρησιμοποιείτε σφικτική για την υποστήριξη του τεμαχίου εργασίας, όταν αυτό είναι εφικτό. Αν υποστηρίζετε το τεμάχιο εργασίας με το χέρι, πρέπει να κρατάτε το χέρι σας τουλάχιστον 100 mm από κάθε πλευρά της λεπίδας πριονιού. Μη χρησιμοποιείτε αυτό το πριόνι για να κόψετε τεμάχια που είναι πολύ μικρά για να στερεωθούν ή να κρατηθούν με το χέρι με ασφάλεια. Αν τοποθετήσετε το χέρι σας πολύ κοντά στη λεπίδα πριονιού, υπάρχει αυξημένος κίνδυνος τραυματισμού από την επαφή με τη λεπίδα.
- ◆ Το τεμάχιο εργασίας πρέπει να είναι ακίνητο και συσφιγμένο ή να συγκρατείται σε σφικτή επαφή τόσο με τον οδηγό όσο και με το τραπέζι. Μην προωθείτε το τεμάχιο εργασίας προς τη λεπίδα ούτε να κόβετε με οποιοδήποτε είδους «ελεύθερη κίνηση με το χέρι». Τα τεμάχια εργασίας που δεν συγκρατούνται ή που κινούνται θα μπορούσαν να εκτιναχθούν με υψηλή ταχύτητα, προκαλώντας τραυματισμό.
- ◆ Σπρώχνετε το πριόνι ώστε να διασχίσει το τεμάχιο εργασίας. Μην τραβάτε το πριόνι για να διασχίσει το τεμάχιο εργασίας. Για να πραγματοποιήσετε μια κοπή, ανυψώστε την κεφαλή πριονιού και τραβήξτε την έξω, πάνω από το τεμάχιο εργασίας χωρίς να κόψετε, θέστε σε λειτουργία το μοτέρ, πιάστε την κεφαλή πριονιού προς τα κάτω και σπρώξτε το πριόνι ώστε να διασχίσει το τεμάχιο εργασίας. Η κοπή

κατά την κίνηση έλξης πιθανότατα θα κάνει τη λεπίδα πριονιού να αναρριχηθεί πάνω στο τεμάχιο εργασίας και να εκτινάξει βίαια το συγκρότημα λεπίδας προς το χειριστή.

- ◆ **Ποτέ μη διασταυρώνετε τα χέρια σας πάνω από την επιθυμητή γραμμή κοπής είτε μπροστά είτε πίσω από τη λεπίδα πριονιού.** Η υποστήριξη του τεμαχίου εργασίας με "τα χέρια σταυρωμένα" δηλ. κρατώντας το τεμάχιο εργασίας προς τα δεξιά της λωρίδας πριονιού με το αριστερό χέρι ή αντίστροφα, είναι πολύ επικίνδυνη πρακτική.
- ◆ **Όσο περιστρέφεται η λεπίδα πριονιού, μην τοποθετείτε κανένα από τα χέρια σας στην περιοχή πίσω από τον οδηγό πιο κοντά από 100 mm από οποιαδήποτε πλευρά της λεπίδας, για εργασίες όπως αφαίρεση υπολειμμάτων ξύλου ή για οποιοδήποτε άλλο λόγο.** Η εγγύτητα της περιστρεφόμενης λεπίδας πριονιού με το χέρι σας μπορεί να μην είναι εμφανής και μπορεί να τραυματιστείτε σοβαρά.
- ◆ **Επιθεωρήστε το τεμάχιο εργασίας πριν την κοπή.** Αν το τεμάχιο εργασίας είναι κυρτωμένο ή παραμορφωμένο, συσφίξτε το με την εξωτερική κυρτωμένη πλευρά προς τον οδηγό. Πάντα να βεβαιώνετε ότι δεν υπάρχει διάκενο μεταξύ του τεμαχίου εργασίας, του οδηγού και του τραπέζιού κατά μήκος της γραμμής κοπής. Τα κυρτωμένα ή παραμορφωμένα τεμάχια εργασίας μπορεί να περιστραφούν ή να μετακινήθούν προκαλώντας μάγκωμα στην περιστρεφόμενη λεπίδα πριονιού κατά την κοπή. Δεν πρέπει να υπάρχουν καρφιά ή ξένα αντικείμενα στο τεμάχιο εργασίας.
- ◆ **Μη χρησιμοποιήσετε το πριόνι έως ότου το τραπέζι έχει καθαριστεί από όλα τα εργαλεία, υπολείμματα ξύλου κλπ. εκτός από το τεμάχιο εργασίας.** Τα μικρά υπολείμματα ή χαλαρά κομμάτια ξύλου ή άλλα αντικείμενα, αν έρθουν σε επαφή με την περιστρεφόμενη λεπίδα, μπορεί να εκτιναχτούν με υψηλή ταχύτητα.
- ◆ **Κόβετε μόνο ένα τεμάχιο εργασίας τη φορά.** Τα στοιβαγμένα πολλαπλά τεμάχια εργασίας δεν μπορούν να συσφιχτούν ή να στηριχτούν ικανοποιητικά και μπορεί να μαγκώσουν στη λεπίδα ή να μετακινηθούν κατά τη διάρκεια της κοπής.
- ◆ **Βεβαιωθείτε πριν τη χρήση ότι το φάλτσοπρίονο έχει στερεωθεί ή τοποθετηθεί, πάνω σε οριζόντια, σταθερή επιφάνεια εργασίας.** Μια οριζόντια και σταθερή επιφάνεια εργασίας μειώνει τον κίνδυνο απώλειας της ευστάθειας του φάλτσοπριονίου.
- ◆ **Σχεδιάστε εκ των προτέρων την εργασία σας.** Κάθε φορά που αλλάζετε τη ρύθμιση γωνίας φάλασας ή λοξής κοπής, να βεβαιώνετε ότι ο ρυθμιζόμενος οδηγός έχει ρυθμιστεί σωστά ώστε να υποστηρίζει το τεμάχιο εργασίας και δεν θα έρχεται σε επαφή με τη λεπίδα ή με το σύστημα προστατευτικού. Χωρίς να

ενεργοποιήσετε το εργαλείο και χωρίς τεμάχιο εργασίας στο τραπέζι, κινήστε τη λεπίδα πριονιού σε μια πλήρη προσομοιωμένη κοπή για να βεβαιωθείτε ότι δεν θα υπάρξει επαφή με τον οδηγό ή κίνδυνος κοπής του.

- ◆ **Παρέχετε επαρκή υποστήριξη όπως επεκτάσεις τραπέζιού, στηρίγματα πριονιού κλπ. για ένα τεμάχιο εργασίας που έχει πλάτος ή μήκος μεγαλύτερο από την επιφάνεια του τραπέζιού.** Τα τεμάχια εργασίας που έχουν πλάτος ή μήκος μεγαλύτερο από το τραπέζι του φάλτσοπριονίου μπορεί να πάρουν κλίση αν δεν υποστηρίζονται κατάλληλα. Αν πάρει κλίση το κομμένο τμήμα ή το τεμάχιο εργασίας, μπορεί να ανυψώσει το κάτω προστατευτικό ή να εκτιναχτεί από την περιστρεφόμενη λεπίδα.
- ◆ **Μη χρησιμοποιείτε δεύτερο άτομο ως υποκατάστατο μιας επέκτασης τραπέζιού ή για πρόσθετη στήριξη.** Η ασταθής υποστήριξη του τεμαχίου εργασίας μπορεί να κάνει τη λεπίδα να μαγκώσει ή το τεμάχιο εργασίας να μετακινηθεί κατά τη διάρκεια της εργασίας κοπής, τραβώντας και εσάς και το βοηθό σας προς την περιστρεφόμενη λεπίδα.
- ◆ **Το κομμένο τμήμα δεν πρέπει να σφηνωθεί ή να πιεστεί με οποιοδήποτε μέσο προς την περιστρεφόμενη λεπίδα πριονιού.** Αν περιοριστεί, π.χ. με χρήση stop μήκους, το κομμένο τμήμα θα μπορούσε να σφηνώσει στη λεπίδα και να εκτιναχτεί βίαια.
- ◆ **Πάντα να χρησιμοποιείτε σφινκτρή ή διάταξη που έχει σχεδιαστεί για να υποστηρίζει κατάλληλα τα στρογγυλά υλικά όπως ράβδους ή σωληνώσεις.** Η ράβδοι έχουν την τάση να κυλούν ενώ κόβονται, προκαλώντας μάγκωμα της λεπίδας και τράβηγμα του τεμαχίου εργασίας μαζί με το χέρι σας προς τη λεπίδα.
- ◆ **Αφήστε τη λεπίδα να επιτύχει την πλήρη της ταχύτητα πριν τη φέρετε σε επαφή με το τεμάχιο εργασίας.** Με αυτόν τον τρόπο θα μειωθεί ο κίνδυνος εκτίναξης του τεμαχίου εργασίας.
- ◆ **Αν σφηνώσει το τεμάχιο εργασίας ή η λεπίδα, απενεργοποιήστε το φάλτσοπρίονο. Περιμένετε να σταματήσουν όλα τα κινούμενα μέρη και αποσυνδέστε το φως από την πηγή ρεύματος και/ή αφαιρέστε το πακέτο μπαταρίας. Κατόπιν εργαστείτε για την απελευθέρωση του σφηνωμένου υλικού.** Η συνέχιση της κοπής με σφηνωμένο τεμάχιο εργασίας θα μπορούσε να προκαλέσει απώλεια του ελέγχου ή ζημιά στο φάλτσοπρίονο.
- ◆ **Αφού ολοκληρώσετε την κοπή, ελευθερώστε το διακόπτη, κρατήστε την κεφαλή πριονιού κάτω και περιμένετε να σταματήσει η λεπίδα πριν αφαιρέσετε το κομμένο τεμάχιο.** Είναι επικίνδυνο να πλησιάσετε το χέρι σας στη λεπίδα που δεν έχει σταματήσει ακόμα να κινείται.

Πρόσθετες οδηγίες ασφαλείας για φαλτσοπρίονα

- ◆ Η προβλεπόμενη χρήση περιγράφεται στο παρόν εγχειρίδιο οδηγιών. Η χρήση οποιοδήποτε αξεσουάρ ή προσαρτήματος ή η εκτέλεση με αυτό το εργαλείο οποιασδήποτε εργασίας διαφορετικής από αυτές που συνιστώνται στο παρόν εγχειρίδιο οδηγιών ενδέχεται να εγκυμονεί κίνδυνο σωματικής βλάβης και/ή υλικών ζημιών.
- ◆ Μη χρησιμοποιείτε λεπίδες πριονιού που παρουσιάζουν ρωγμές, ζημιές ή παραμορφώσεις.
- ◆ Αντικαταστήστε την πλάκα κοπής με εγκοπή όταν φθαρεί.
- ◆ Μη χρησιμοποιείτε λεπίδες μεγαλύτερης ή μικρότερης διαμέτρου από τη συνιστώμενη. Για τη σωστή διαβάθμιση της λεπίδας ανατρέξτε στα τεχνικά χαρακτηριστικά. Χρησιμοποιείτε μόνο τις λεπίδες που προβλέπονται στο παρόν εγχειρίδιο οδηγιών, σε συμμόρφωση με το πρότυπο EN 847-1.
- ◆ Μη χρησιμοποιείτε λεπίδες πριονιού από ταχυχάλυβα (HSS).



Προειδοποίηση! Η επαφή με τα διάφορα είδη σκόνης που δημιουργούν οι εφαρμογές κοπής με πρίονι ή η εισπνοή της σκόνης αυτής μπορεί να ενέχει κίνδυνο για την υγεία του χειριστή και των απόμων που ενδεχομένως παρευρίσκονται. Φορέστε μάσκα σκόνης ειδικά σχεδιασμένη για προστασία από τη σκόνη και τις αναθυμιάσεις και βεβαιωθείτε ότι τα άτομα που βρίσκονται ή εισέρχονται στο χώρο εργασίας είναι επίσης προστατευμένα.

- ◆ Μην εργάζεστε με υλικά τα οποία περιέχουν αμιάντο. Ο αμιάντος θεωρείται καρκινογόνος.
- ◆ Φοράτε γάντια όταν χειρίζεστε λεπίδες πριονιού και τραχιά υλικά (οι λεπίδες πρέπει να μεταφέρονται σε θέση όπου είναι δυνατό).
- ◆ Φοράτε προστασία ακοής για να μειώσετε τον κίνδυνο πρόκλησης βλάβης της ακοής.
- ◆ Εξετάστε το ενδεχόμενο χρήσης δίσκων ειδικά σχεδιασμένων για μείωση του θορύβου.
- ◆ Φοράτε προστατευτικά ματιών για να μειώσετε τον κίνδυνο σωματικής βλάβης.
- ◆ Χρησιμοποιείτε την παρεχόμενη σακούλα σκόνης όταν κόβετε ξύλο.
- ◆ **Κρατάτε το ηλεκτρικό εργαλείο από μονωμένες επιφάνειες λαβής όταν εκτελείτε μια εργασία όπου το αξεσουάρ κοπής μπορεί να έρθει σε επαφή με αθέατα καλώδια ή με το ίδιο του το καλώδιο.** Ένα εξάρτημα κοπής το οποίο έρχεται σε επαφή με ηλεκτροφόρο καλώδιο μπορεί να καταστήσει ηλεκτροφόρο και τα εκτεθειμένα μεταλλικά μέρη του ηλεκτρικού εργαλείου και να προκαλέσει ηλεκτροπληξία στο χειριστή του
- ◆ Επιλέξτε τη σωστή λεπίδα για το υλικό που πρόκειται να κόψετε.
- ◆ Μη χρησιμοποιήσετε το μηχάνημα, εάν το προστατευτικό δε βρίσκεται στη θέση του. Μη χρησιμοποιήσετε το μηχάνημα, εάν το προστατευτικό δε λειτουργεί σωστά ή εάν δεν έχει συντηρηθεί σωστά.
- ◆ Βεβαιωθείτε ότι ο βραχίονας είναι καλά στερεωμένος όταν εκτελείτε λοξές κοπές.
- ◆ Πριν από κάθε κοπή, βεβαιωθείτε ότι το μηχάνημα είναι σταθερό.
- ◆ Διατηρείτε τις λαβές στεγνές, καθαρές, χωρίς λάδι και γράσο.
- ◆ Διατηρήστε το χώρο που περιβάλλει το μηχάνημα σε καλή κατάσταση και ελεύθερο από υλικά όπως πριονίδια και υπολείμματα κοπής.
- ◆ Εξασφαλίστε ότι το μηχάνημα και ο χώρος εργασίας διαθέτουν επαρκή γενικό και τοπικό φωτισμό.
- ◆ Μην επιτρέπετε σε άτομα χωρίς κατάλληλη εκπαίδευση να χρησιμοποιούν το μηχάνημα.
- ◆ Εξασφαλίστε ότι ο δίσκος έχει τοποθετηθεί σωστά πριν από τη χρήση. Βεβαιωθείτε ότι η λεπίδα περιστρέφεται στη σωστή κατεύθυνση. Διατηρείτε τη λεπίδα κοφτερή. Ακολουθήστε τις οδηγίες σε ό,τι αφορά τη λίπανση και την αλλαγή των εξαρτημάτων.
- ◆ Βεβαιωθείτε ότι η ταχύτητα που αναφέρεται πάνω στη λεπίδα πριονιού είναι τουλάχιστον ίση με την ταχύτητα που αναφέρεται πάνω στο πρίονι.
- ◆ Διασφαλίστε ότι τυχόν χρησιμοποιούμενοι αποστάτες και δακτύλιοι απράκτου είναι κατάλληλοι για το σκοπό αυτό, όπως δηλώνεται από τη Stanley Fat Max.
- ◆ Οι επισκευές στο σύστημα καθοδήγησης στη γραμμή κοπής πρέπει να γίνονται από τα εξουσιοδοτημένους αντιπροσώπους επισκευών ή από προσωπικό σέρβις της Stanley Fat Max.
- ◆ Αφαιρείτε την μπαταρία από το μηχάνημα πριν εκτελέσετε οποιαδήποτε εργασία συντήρησης ή όταν αλλάζετε τη λεπίδα.
- ◆ Ποτέ μην πραγματοποιείτε οποιαδήποτε εργασία καθαρισμού, συντήρησης, αφαίρεσης υπολειμμάτων κοπής ή άλλων τμημάτων του αντικειμένου που επεξεργάζεστε από την περιοχή κοπής, όταν το μηχάνημα είναι σε λειτουργία και η κεφαλή κοπής δεν βρίσκεται στη θέση ηρεμίας.
- ◆ Όταν είναι δυνατόν, πάντα στερεώνετε το μηχάνημα σε πάγκο.
- ◆ Βεβαιωθείτε ότι όλα τα μπουτόν και οι λαβές ασφάλισης έχουν σφικτεί, πριν ξεκινήσετε οποιαδήποτε εργασία.
- ◆ Ποτέ μη χρησιμοποιήσετε το πρίονι σας χωρίς το παρέμβυσμα τράπεζας.
- ◆ Ποτέ μην αποπειραθείτε να σταματήσετε απότομα ένα μηχάνημα σε κίνηση παρεμβάλλοντας ένα εργαλείο ή άλλο μέσο στο δίσκο. Μ' αυτόν τον τρόπο, μπορούν να προκληθούν ακούσια σοβαρά ατυχήματα.

- ◆ Πριν χρησιμοποιήσετε ή τοποθετήσετε οποιοδήποτε αξεσουάρ συμβουλευτείτε το εγχειρίδιο οδηγιών. Η ακατάλληλη χρήση ενός αξεσουάρ μπορεί να προκαλέσει ζημιά.
- ◆ Ανυψώστε το δίσκο από το ένθετο τραπεζιού στο αντικείμενο εργασίας, πριν την απελευθέρωση του διακόπτη ενεργοποίησης/απενεργοποίησης.
- ◆ Μη σφηνώνετε οτιδήποτε στον ανεμιστήρα για να συγκρατήσετε τον άξονα του μοτέρ.
- ◆ Ο προφυλακτήρας της λεπίδας στο πριόνι σας θα ανυψωθεί αυτόματα όταν κατεβάσετε το βραχίονα. Θα χαμηλώσει πάνω από τη λεπίδα όταν ανυψωθεί ο βραχίονας. Ο προφυλακτήρας μπορεί να ανυψωθεί με το χέρι όταν εγκαθιστάτε ή αφαιρείτε λεπίδες πριονιού ή για έλεγχο του πριονιού. Ποτέ μην ανυψώνετε με το χέρι το προστατευτικό δίσκου, εάν το μηχανήμα δεν είναι απενεργοποιημένο.
- ◆ Περιοδικά ελέγχετε ότι τα ανοίγματα αερισμού του μοτέρ είναι καθαρά και απαλλαγμένα από πριονίδια.
- ◆ Ποτέ μην καθιστάτε τα προειδοποιητικά σήματα στο ηλεκτρικό εργαλείο μη αναγνωρίσιμα.
- ◆ Ποτέ μη στέκεστε πάνω στο ηλεκτρικό εργαλείο. Μπορεί να προκληθούν σοβαροί τραυματισμοί, σε περίπτωση ανατροπής του ηλεκτρικού εργαλείου ή σε περίπτωση επαφής με το δίσκο.
- ◆ Μην αγγίζετε το δίσκο του πριονιού μετά την εργασία, προτού αυτός κρυώσει. Ο δίσκος του πριονιού θερμαίνεται πολύ κατά την εργασία.
- ◆ Για την αποφυγή τραυματισμών από υλικά που εκσφενδονίζονται, αφαιρείτε την μπαταρία από το πριόνι για την αποφυγή ακούσιων ενεργοποιήσεων και μετά αφαιρείτε τα μικρά υλικά.
- ◆ Πριν από τη χρήση και μετά από οποιαδήποτε συντήρηση, το προστατευτικό δίσκου πρέπει να ελεγχθεί για να εξασφαλιστεί η σωστή λειτουργία του. Αυτός ο έλεγχος πρέπει να πραγματοποιηθεί με το πριόνι απενεργοποιημένο και την μπαταρία εκτός πριονιού. Ο βραχίονας πρέπει να ανυψωθεί και να χαμηλωθεί για να εξασφαλιστεί ότι το προστατευτικό καλύπτει το δίσκο και ότι ο δίσκος δεν έρχεται σε επαφή με το προστατευτικό. Εάν το προστατευτικό δε λειτουργήσει σωστά, αναθέστε το σέρβις του ηλεκτρικού σας εργαλείου σε έναν έμπειρο τεχνικό. Καλέστε την Εξυπηρέτηση Πελατών της Stanley Fat Max για το πλησιέστερο εξουσιοδοτημένο κέντρο σέρβις.
- ◆ Αυτό το φάλτσοπριόνιο είναι σχεδιασμένο για την κοπή μόνο ξύλου, πλαστικών και μη σιδηρούχων μετάλλων. Μη χρησιμοποιείτε το πριόνι για να κόβετε άλλα υλικά από αυτά που συνιστά ο κατασκευαστής.
- ◆ Μετά την εργασία αφήνετε τη λεπίδα να κρυώσει, προτού την αγγίξετε. Η λεπίδα του πριονιού μπορεί να αποκτήσει πολύ υψηλή θερμοκρασία κατά την εργασία.



Προειδοποίηση! Η κοπή πλαστικών, ξύλου που καλύπτεται από φυτικό χυμό και άλλων υλικών, μπορεί να προκαλέσει τη συσσώρευση λιωμένου υλικού στις μύτες των λεπίδων και στον κορμό της λάμας πριονιού, αυξάνοντας τον κίνδυνο υπερθέρμανσης και μαγκώματος της λάμας κατά τη διάρκεια της κοπής.

Ασφάλεια τρίτων

- ◆ Αυτός ο φορτιστής μπορεί να χρησιμοποιηθεί από παιδιά ηλικίας 8 ετών και άνω καθώς και από άτομα με μειωμένες σωματικές, αντιληπτικές ή διανοητικές ικανότητες ή από άτομα χωρίς εμπειρία και γνώσεις, μόνο εφόσον αυτά επιτηρούνται ή τους έχουν δοθεί οδηγίες σχετικά με την ασφαλή χρήση της συσκευής και έχουν κατανοήσει τους πιθανούς κινδύνους.
- ◆ Τα παιδιά δεν πρέπει να παίζουν με τη συσκευή. Ο καθαρισμός και η συντήρηση από το χρήστη δεν πρέπει να γίνονται από παιδιά χωρίς επίβλεψη.

Υπολειπόμενοι κίνδυνοι

Οι κίνδυνοι που ακολουθούν είναι εγγενείς στη χρήση πριονιών:

Παρά την εφαρμογή των σχετικών κανονισμών ασφαλείας και τη χρήση διατάξεων ασφαλείας, ορισμένοι υπολειπόμενοι κίνδυνοι δεν είναι δυνατό να αποφευχθούν. Σε αυτούς περιλαμβάνονται:

- ◆ Τραυματισμοί από την επαφή με οποιαδήποτε περιστρεφόμενα/κινούμενα μέρη.
- ◆ Βλάβη της ακοής.
- ◆ Κίνδυνος ατυχημάτων που προκαλούνται από τα ακάλυπτα εξαρτήματα του περιστρεφόμενου δίσκου του πριονιού.
- ◆ Κίνδυνος τραυματισμού κατά την αλλαγή εξαρτήματος, λεπίδας ή αξεσουάρ.
- ◆ Κίνδυνος σύνθλιψης των δακτύλων κατά το άνοιγμα των προφυλακτήρων.
- ◆ Κίνδυνοι στην υγεία που προκαλούνται από την εισπνοή σκόνης που παράγεται κατά το πριόνισμα του ξύλου, ειδικά της δρυός, της οξιάς και του MDF.
- ◆ Τραυματισμούς από παρατεταμένη χρήση του εργαλείου. Όταν χρησιμοποιείτε οποιοδήποτε εργαλείο για παρατεταμένα χρονικά διαστήματα, μην παραλείπετε με κανένα τρόπο να κάνετε τακτικά διαλείμματα.

Θόρυβος

Οι δηλωμένες τιμές εκπομπής κραδασμών έχουν μετρηθεί σύμφωνα με τυποποιημένη μέθοδο δοκιμής και μπορούν να χρησιμοποιηθούν για τη σύγκριση ενός εργαλείου με ένα άλλο.

Οι δηλωμένες τιμές εκπομπής κραδασμών μπορούν επίσης να χρησιμοποιηθούν σε έναν προκαταρκτικό προσδιορισμό της έκθεσης σε κραδασμούς.

Προειδοποίηση! Στην πράξη, οι τιμές εκπομπής κραδασμών κατά την χρήση του ηλεκτρικού εργαλείου μπορεί να διαφέρουν από τις τιμές που δηλώθηκαν, ανάλογα με τον τρόπο που χρησιμοποιείται το εργαλείο και ειδικά με το είδος του αντικειμένου που επεξεργάζεστε.

Προειδοποίηση! Πάντα φοράτε κατάλληλη ατομική προστασία ακοής. Υπό ορισμένες συνθήκες και διάρκεια χρήσης, ο θόρυβος από το προϊόν μπορεί να συμβάλει σε απώλεια ακοής. Λαμβάνετε υπόψη σας τους εξής παράγοντες που επηρεάζουν την έκθεση στο θόρυβο:

- ◆ Χρησιμοποιείτε λεπίδες πριονιού σχεδιασμένες να μειώνουν τον εκπεμπόμενο θόρυβο,
- ◆ Χρησιμοποιείτε μόνο καλά τροχισμένες λεπίδες πριονιού και
- ◆ Χρησιμοποιείτε ειδικά σχεδιασμένες λεπίδες πριονιού μειωμένου θορύβου.

Ετικέτες πάνω στο εργαλείο

Τα εικονογράμματα που ακολουθούν μαζί με τον ο κωδικό ημερομηνίας εμφανίζονται πάνω στο εργαλείο:



Προειδοποίηση! Για να μειωθεί ο κίνδυνος τραυματισμού, ο χρήστης πρέπει να διαβάσει το εγχειρίδιο οδηγιών.



Φοράτε προστατευτικά γυαλιά ασφαλείας.



Φοράτε προστασία αναπνοής.



Φοράτε μάσκα προστασίας από σκόνη.



Αυτό το προϊόν δεν πρέπει να χρησιμοποιείται από παιδιά κάτω των 16 ετών.



Κρατάτε τα χέρια μακριά από τη λεπίδα.



Απαγορευμένη περιοχή για τα χέρια - Κρατήστε τα δάχτυλα και τα χέρια σας μακριά από περιστρεφόμενες λεπίδες κοπής.



Φοράτε γάντια κατά το χειρισμό δίσκων κοπής.



Μην κοιτάζετε απευθείας στη λάμπα λειτουργίας.

Πρόσθετες οδηγίες ασφαλείας για μπαταρίες και φορτιστές

Προειδοποίηση! Η συσκευή πρέπει να χρησιμοποιείται μόνο με τη μονάδα τροφοδοσίας που παρέχεται με τη συσκευή.

Σημείωση: Το εύρος θερμοκρασιών λειτουργίας συνιστάται σε 4 °C έως 40 °C.

Μπαταρίες

- ◆ Ποτέ μην επιχειρήσετε να τις ανοίξετε, για κανένα λόγο.
 - ◆ Μην εκθέτετε την μπαταρία σε νερό.
 - ◆ Μην τις αποθηκεύετε σε θεσίες όπου η θερμοκρασία ενδέχεται να υπερβεί τους 40 °C.
 - ◆ Να τις φορτίζετε μόνο σε θερμοκρασίες περιβάλλοντος μεταξύ 10 °C και 40 °C.
 - ◆ Να τις φορτίζετε μόνο με τη χρήση του φορτιστή που παρέχεται με το εργαλείο.
 - ◆ Κατά την απόρριψη μπαταριών, να ακολουθείτε τις οδηγίες που παρέχονται στην ενότητα "Προστασία του περιβάλλοντος".
- Μην επιχειρήσετε να φορτίσετε μπαταρίες που έχουν υποστεί ζημιά.

Φορτιστές

- ◆ Χρησιμοποιείτε το φορτιστή Stanley FatMax μόνο για να φορτίζετε την μπαταρία στο εργαλείο το οποίο συνδέετε. Άλλες μπαταρίες ενδέχεται να εκραγούν, προκαλώντας τραυματισμό ατόμων και ζημιάς.
- ◆ Μην επιχειρήσετε ποτέ να φορτίσετε μη επαναφορτιζόμενες μπαταρίες.
- ◆ Να φροντίζετε να αντικαθίστανται άμεσα τα καλώδια που έχουν υποστεί ζημιά.
- ◆ Μην εκθέτετε το φορτιστή σε νερό.
- ◆ Μην ανοίξετε το φορτιστή.
- ◆ Μην εισάγετε οποιαδήποτε αντικείμενα μέσα στο φορτιστή.



Ο φορτιστής προορίζεται για χρήση μόνο σε εσωτερικούς χώρους.



Διαβάστε το εγχειρίδιο οδηγιών πριν τη χρήση.

Ασφαλής χρήση ηλεκτρικού ρεύματος



Ο φορτιστής σας φέρει διπλή μόνωση. Επομένως, δεν απαιτείται αγωγός γείωσης. Ελέγχετε πάντα ότι η τάση ρεύματος δικτύου συμφωνεί με αυτήν που αναγράφεται στην πινακίδα τεχνικών χαρακτηριστικών. Ποτέ μην επιχειρήσετε να αντικαταστήσετε τη μονάδα φορτιστή με κανονικό φως ρεύματος δικτύου.

- ◆ Αν το καλώδιο ρεύματος έχει υποστεί ζημιά, πρέπει να αντικατασταθεί από τον κατασκευαστή ή από ένα εξουσιοδοτημένο κέντρο σέρβις της Stanley FatMax, ώστε να μην αποτελέσει κίνδυνο.

Χαρακτηριστικά

Αυτό το εργαλείο διαθέτει μερικά από ή όλα τα παρακάτω χαρακτηριστικά.

1. Διακόπτης σκανδάλης
2. Λαβή χειρισμού
3. Οπές στερέωσης
4. Κάτω προφυλακτήρας
5. Λαβή ασφάλισης λοξής κοπής
6. Κουμπί μανδάλωσης λοξής κοπής
7. Πλάκα εντομής
8. Κλίμακα φάλτσκοπής
9. Ένδειξη κλίμακας λοξής κοπής
10. Λαβές μεταφοράς
11. Οδηγός
12. Λαβή ασφάλισης φάλτσκοπής
13. Ράγες
- 13a. Ταινία χριτς χριτς
14. Στόμιο εξαγωγής σκόνης
15. Πακέτο μπαταρίας
16. Διακόπτης φωτισμού εργασίας
17. Μοχλός ασφάλισης
18. Βίδα ασφάλισης στις ράγες
19. Οπή στερέωσης σφινκτήρα
20. Πείρος ασφάλισης στην κάτω θέση

Συναρμολόγηση (Εικ. Α)

Το φάλτσοπρίονο παραδίδεται εν μέρει συναρμολογημένο μέσα στο χαρτοκιβώτιο.

- ◆ Ανοίξτε το κιβώτιο και ανυψώστε το πριόνι χρησιμοποιώντας τις λαβές μεταφοράς (10) στη βάση του πριονιού (Εικ. Α).
- ◆ Τοποθετήστε το πριόνι πάνω σε μια επίπεδη, οριζόντια επιφάνεια όπως σε έναν πάγκο εργασίας ή ένα ανθεκτικό τραπέζι.
- ◆ Μελετήστε το διάγραμμα συναρμολόγησης στη σελίδα 2 του παρόντος εγχειριδίου για να εξοικειωθείτε με το πριόνι και τα διάφορα μέρη του. Το τμήμα σχετικά με τις ρυθμίσεις θα αναφέρεται σε αυτούς τους όρους και πρέπει να γνωρίζετε ποια και πού είναι αυτά τα εξαρτήματα.
- ◆ Η λαβή ασφάλισης λοξής κοπής (5) δεν είναι τοποθετημένη κατά την αποστολή. Αφαιρέστε τη λαβή ασφάλισης λοξής κοπής (5) από τη συσκευασία και βιδώστε την πάνω στο πριόνι, βλ. εικόνα G και J σχετικά με τη θέση.
- ◆ Το πριόνι σας διαθέτει ενσωματωμένο στόμιο εξαγωγής σκόνης (14) που επιτρέπει να συνδεθεί είτε η παρεχόμενη, αλλά μη τοποθετημένη, σακούλα σκόνης (35) είτε ένα σύστημα αναρρόφησης του συνεργείου (Εικ. Μ).

Πλάκα εντομής (Εικ. J)

Η πλάκα εντομής (7) είναι στερεωμένη στο τραπέζι με 6 βίδες. Το ύψος της πλάκας εντομής (7) δεν είναι ρυθμιζόμενο.

Σημείωση: Αν η πλάκα εντομής (7) έχει φθαρεί, υποστεί ζημιά ή χρειάζεται αντικατάσταση, οι επισκευές πρέπει να πραγματοποιηθούν από εξουσιοδοτημένους αντιπροσώπους επισκευών ή από προσωπικό σέρβις της Stanley Fat Max.

Πείρος ασφάλισης στην κάτω θέση (Εικ. F)

Προειδοποίηση! Ο πείρος ασφάλισης στην κάτω θέση πρέπει να χρησιμοποιείται ΜΟΝΟ όταν μεταφέρετε ή αποθηκεύετε το πριόνι. ΠΟΤΕ μη χρησιμοποιήσετε τον πείρο κάτω ασφάλισης για οποιαδήποτε εργασία κοπής.

Σημείωση: Για να σηκώσετε, μεταφέρετε και αποθέσετε το φάλτσοπρίονο κατά τη μεταφορά του, χρησιμοποιήστε τις δύο λαβές μεταφοράς (10) που βρίσκονται στις δύο πλευρές της βάσης φάλτσοπριονίου (Εικ. Α).

Για να ασφαλίσετε την κεφαλή του πριονιού στην κάτω θέση, στρώστε κάτω την κεφαλή πριονιού, στρώστε μέσα τον πείρο (20) ασφάλισης στην κάτω θέση και κατόπιν αφήστε την κεφαλή πριονιού. Με τον τρόπο αυτό η κεφαλή του πριονιού θα συγκρατηθεί με ασφάλεια στην κάτω θέση για μεταφορά του πριονιού από μια θέση σε άλλη. Για να απελευθερώσετε την κεφαλή του πριονιού, πιέστε την προς τα κάτω και τραβήξτε έξω τον πείρο.

Προειδοποίηση! Πάντα να διασφαλίζετε ότι το εργαλείο είναι απενεργοποιημένο και η μπαταρία έχει αφαιρεθεί από το εργαλείο πριν από εργασίες ρύθμισης ή ελέγχου της λειτουργίας του εργαλείου.

Φόρτιση μπαταρίας (εικ. Β)

Οι φορτιστές Stanley FatMax έχουν σχεδιαστεί για φόρτιση των πακέτων μπαταριών Stanley FatMax.

- ◆ Συνδέστε το φορτιστή (21) σε κατάλληλη έξοδο πριν εισάγετε ένα πακέτο μπαταρίας (15).
- ◆ Εισάγετε το πακέτο μπαταρίας (15) μέσα στο φορτιστή, εξασφαλίζοντας ότι το πακέτο μπαταρίας έχει εδράσει πλήρως μέσα στις υποδοχές της μπαταρίας (Εικόνα Β).



Η λυχνία LED (21a) θα αναβοσβήνει υποδεικνύοντας ότι η μπαταρία φορτίζεται.



Η ολοκλήρωση της φόρτισης υποδεικνύεται από τη λυχνία LED η οποία παραμένει αναμμένη συνεχώς. Τότε το πακέτο είναι


πλήρως φορτισμένο και μπορείτε να το χρησιμοποιήσετε ή να το αφήσετε τοποθετημένο στο φορτιστή.

- ◆ Επαναφορτίστε τις αποφορτισμένες μπαταρίες το συντομότερο δυνατόν μετά τη χρήση τους, διαφορετικά μπορεί να μειωθεί πολύ η διάρκεια ζωής τους.
- ◆ Για τη μέγιστη διάρκεια ζωής των μπαταριών, μην τις αποφορτίζετε πλήρως. Συνιστάται να επαναφορτίζετε τις μπαταρίες μετά από κάθε χρήση.


Διαγνωστικά φορτιστή (εικ. C)

Αυτός ο φορτιστής έχει σχεδιαστεί να ανιχνεύει ορισμένα προβλήματα που μπορεί να προκύψουν με τα πακέτα μπαταριών ή την πηγή ρεύματος. Τα προβλήματα υποδεικνύονται από μια λυχνία LED που αναβοσβήνει με διαφορετικά μοτίβα αναλαμπών.

Προβληματική μπαταρία

 Ο φορτιστής μπορεί να ανιχνεύσει ότι μια μπαταρία είναι εξασθενημένη ή έχει υποστεί ζημιά. Η λυχνία LED αναβοσβήνει με το μοτίβο αναλαμπών που υποδεικνύεται στην ετικέτα. Αν δείτε αυτό το μοτίβο αναλαμπών που αντιστοιχεί σε προβληματική μπαταρία, μη συνεχίσετε τη φόρτιση της μπαταρίας. Επιστρέψτε την σε κέντρο σέρβις ή σε θέση συλλογής για ανακύκλωση.

Καθυστέρηση λόγω θερμού/ψυχρού πακέτου μπαταρίας

 Αν ο φορτιστής ανιχνεύσει μπαταρία με υπερβολικά υψηλή ή χαμηλή θερμοκρασία, ξεκινά αυτόματα μια Καθυστέρηση λόγω θερμού/ψυχρού πακέτου μπαταρίας, αναστέλλοντας τη φόρτιση έως ότου η μπαταρία έχει φθάσει σε κατάλληλη θερμοκρασία. Αφού συμβεί αυτό, ο φορτιστής μεταβαίνει αυτόματα σε λειτουργία φόρτισης του πακέτου. Αυτή η λειτουργία διασφαλίζει τη μέγιστη διάρκεια ζωής της μπαταρίας. Η λυχνία αναβοσβήνει με το μοτίβο αναλαμπών που υποδεικνύεται στην ετικέτα.

Παραμονή της μπαταρίας στο φορτιστή

Ο φορτιστής και το πακέτο μπαταρίας μπορούν να παραμείνουν συνδεδεμένα επί αόριστον με τη λυχνία LED αναμμένη. Ο φορτιστής θα διατηρεί το πακέτο μπαταρίας σε βέλτιστη κατάσταση και πλήρως φορτισμένο. Αυτός ο φορτιστής διαθέτει μια αυτόματη λειτουργία συντήρησης η οποία εξισώνει ή εξισορροπεί τα μεμονωμένα στοιχεία στο πακέτο μπαταρίας για να επιτρέπει στο πακέτο μπαταρίας να λειτουργεί σε μέγιστη χωρητικότητα. Τα πακέτα μπαταρίας πρέπει να υποβάλλονται στη διαδικασία συντήρησης κάθε εβδομάδα ή όταν η μπαταρία δεν παρέχει πλέον το ίδιο αποτέλεσμα όπως παλαιότερα. Για να χρησιμοποιήσετε τη λειτουργία αυτόματης συντήρησης, τοποθετήστε το πακέτο μπαταρίας στο φορτιστή και αφήστε το εκεί για τουλάχιστον 8 ώρες.

Σημαντικές επισημάνσεις για τη φόρτιση

- ♦ Μπορείτε να επιτύχετε την καλύτερη δυνατή διάρκεια ζωής και τη μέγιστη απόδοση εάν φορτίζετε το πακέτο μπαταρίας σε θερμοκρασία 18 °C - 24 °C. ΜΗ φορτίσετε το πακέτο μπαταρίας σε θερμοκρασίες αέρα που είναι μικρότερες από +4,5 °C ή μεγαλύτερες από +40 °C. Αυτό

είναι σημαντικό και θα αποτρέψει τη σοβαρή βλάβη του πακέτου μπαταρίας.

- ♦ Ο φορτιστής και το πακέτο μπαταρίας μπορεί να θερμανθούν αισθητά κατά τη φόρτιση. Αυτό είναι κανονικό χαρακτηριστικό της λειτουργίας και όχι ένδειξη προβλήματος.
- ♦ Για να διευκολύνετε την ψύξη του πακέτου μπαταρίας μετά τη χρήση, αποφεύγετε να τοποθετείτε το φορτιστή ή το πακέτο μπαταρίας σε θερμό περιβάλλον, όπως σε μεταλλικό παράπηγμα ή σε μη μονωμένο τρέιλερ.
- ♦ Αν το πακέτο μπαταρίας δεν φορτίζεται σωστά:
 - ♦ Ελέγξτε τη λειτουργία της πρίζας συνδέοντας ένα φωτιστικό ή άλλη συσκευή.
 - ♦ Ελέγξτε μήπως η πρίζα συνδέεται σε διακόπτη που διακόπτει το ρεύμα όταν σβήνετε τα φώτα;
 - ♦ Μετακινήστε το φορτιστή και το πακέτο μπαταρίας σε θέση όπου η θερμοκρασία αέρα περιβάλλοντος είναι περίπου 18 °C - 24 °C.
 - ♦ Αν τα προβλήματα φόρτισης επιμένουν, παραδώστε τα εργαλείο, το πακέτο μπαταρίας και το φορτιστή στο τοπικό σας κέντρο σέρβις.
- ♦ Το πακέτο μπαταρίας πρέπει να επαναφορτίζεται όταν δεν είναι σε θέση να παράγει επαρκή ισχύ σε εργασίες που γίνοντουσαν εύκολα πιο πριν. ΜΗ ΣΥΝΕΧΙΣΕΤΕ τη χρήση υπό αυτές τις συνθήκες. Ακολουθήστε τη διαδικασία φόρτισης. Μπορείτε επίσης να φορτίσετε όποτε επιθυμείτε ένα πακέτο μπαταρίας που δεν έχει εξαντληθεί πλήρως, χωρίς αυτό να έχει αρνητικές συνέπειες.
- ♦ Ξένα υλικά αγωγίμης φύσης, όπως είναι, αλλά χωρίς να περιορίζονται σε, σκόνη από εργασίες λείανσης, μεταλλικά ρινίσματα, σύρμα τριψίματος, αλουμινοχάρτο ή οποιαδήποτε συσώρευση μεταλλικών σωματιδίων πρέπει να κρατάτε μακριά από τις κοιλότητες του φορτιστή. Αποσυνδέστε το φορτιστή από την πρίζα πριν επιχειρήσετε να τον καθαρίσετε.
- ♦ Μην αφήσετε το φορτιστή να παγώσει και μην τον βυθίσετε σε νερό ή οποιοδήποτε άλλο υγρό.

Τοποθέτηση και αφαίρεση της μπαταρίας (εικ. D, E)

- ♦ Για να τοποθετήσετε την μπαταρία (15), ευθυγραμμίστε την με την υποδοχή στο εργαλείο (22). Τοποθετήστε την μπαταρία μέσα στην υποδοχή και σπρώξτε την μέχρι να ασφαλίσει στη θέση της.
- ♦ Για να αφαιρέσετε την μπαταρία, πατήστε το κουμπί απασφάλισης (15a) ενώ ταυτόχρονα τραβάτε την μπαταρία έξω από την υποδοχή, όπως δείχνει η εικόνα E.

Αλλαγή ή εγκατάσταση νέας λεπίδας πριονιού (Εικ. G, H, I)

Προειδοποίηση! Για να μειώσετε τον κίνδυνο σοβαρού τραυματισμού, απενεργοποιήστε το εργαλείο και αφαιρέστε το πακέτο μπαταρίας πριν μεταφέρετε, κάνετε οποιοσδήποτε

ρυθμίσεις ή πριν αφαιρέσετε/τοποθετήσετε προσαρτήματα ή παρελκόμενα. Τυχόν αθέλητη εκκίνηση μπορεί να προκαλέσει τραυματισμό.

Αφαίρεση της λεπίδας

- ◆ Αφαιρέστε το πακέτο μπαταρίας (15) από το πριόνι.
- ◆ Ανυψώστε το βραχίονα στην πάνω θέση και ανυψώστε τον κάτω προφυλακτήρα (4) όσο το δυνατόν περισσότερο.
- ◆ Λασκάρετε, αλλά μην αφαιρέσετε τη βίδα στηρίγματος προφυλακτήρα (24) έως ότου το στήριγμα προφυλακτήρα (25) μπορεί να ανυψωθεί αρκετά για να παρέχει πρόσβαση στη βίδα της λεπίδας (26). Ο κάτω προφυλακτήρας θα παραμείνει ανυψωμένος λόγω της θέσης της βίδας του στηρίγματος προφυλακτήρα.
- ◆ Πίστετε το κουμπί ασφαλίσης άξονα (28) ενώ περιστρέψετε προσεκτικά τη λεπίδα πριονιού (29) με το χέρι έως ότου συμπλεχτεί η ασφάλιση.
- ◆ Κρατώντας το κουμπί πατημένο, χρησιμοποιήστε το άλλο χέρι και την εξάγωνη πλευρά του παρεχόμενου κλειδιού για να λασκάρετε τη βίδα (26) της λεπίδας. (Περιστρέψτε δεξιόστροφα, αριστερόστροφα σπειρώματα.)
- ◆ Αφαιρέστε τη βίδα (26) της λεπίδας χρησιμοποιώντας την εξάγωνη πλευρά του παρεχόμενου κλειδιού, την εξωτερική ροδέλα σύσφιξης (30) και τη λεπίδα (29). Μπορείτε να αφήσετε πάνω στον άξονα (32) την εσωτερική ροδέλα σύσφιξης (31).

Εγκατάσταση μιας λεπίδας

- ◆ Αφαιρέστε το πακέτο μπαταρίας (15) από το πριόνι.
- ◆ Με το βραχίονα ανυψωμένο, κρατώντας τον κάτω προφυλακτήρα (4) ανοικτό και το στήριγμα προφυλακτήρα (25) ανυψωμένο, τοποθετήστε τη λεπίδα (29) πάνω στον άξονα (32) και σε επαφή με την εσωτερική ροδέλα σύσφιξης (31) με τα δόντια της λεπίδας να δείχνουν στην κατεύθυνση περιστροφής όπως αυτή επισημαίνεται πάνω στο πριόνι.
- ◆ Τοποθετήστε την εξωτερική ροδέλα σύσφιξης (30) στον άξονα (32).
- ◆ Τοποθετήστε τη βίδα της λεπίδας (26) και αφού συμπλέξετε την ασφάλιση άξονα (28), σφίξτε τη βίδα (26) καλά με το παρεχόμενο κλειδί (περιστρέψτε αριστερόστροφα, αφού το σπείρωμα είναι αριστερόστροφο).
- ◆ Επαναφέρετε το στήριγμα προφυλακτήρα (25) στην αρχική του τελειώς κάτω θέση και σφίξτε καλά τη βίδα στηρίγματος προφυλακτήρα (24) για να συγκρατήσετε το στήριγμα στη θέση του.

Σύστημα καθοδήγησης στη γραμμή κοπής

Προειδοποίηση! Μην κοιτάζετε απευθείας μέσα στο φως εργασίας. Θα μπορούσε να προκύψει σοβαρή βλάβη των ματιών.

Σημείωση: Η μπαταρία πρέπει να είναι φορτισμένη και συνδεδεμένη στο φάλτσοπριόνιο.

Το σύστημα καθοδήγησης στη γραμμή κοπής μπορεί να ενεργοποιηθεί ή απενεργοποιηθεί από το διακόπτη φωτισμού εργασίας (16).

Για να κόψετε κατά μήκος μιας υπάρχουσας γραμμής μολυβιού πάνω σε ένα τεμάχιο ξύλου, ενεργοποιήστε το σύστημα καθοδήγησης στη γραμμή κοπής χρησιμοποιώντας το διακόπτη φωτισμού εργασίας (16) (όχι με τον κύριο διακόπτη σκανδάλης) και κατόπιν τραβήξτε προς τα κάτω τη λαβή χειρισμού (2) για να πλησιάσετε τη λεπίδα πριονιού στο ξύλο.

Η σκιά της λεπίδας θα εμφανιστεί πάνω στο ξύλο. Αυτή η γραμμή σκιάς υποδεικνύει το υλικό που θα αφαιρέσει η λεπίδα όταν πραγματοποιεί κοπή.

Για να τοποθετήσετε σωστά την κοπή σας πάνω στη γραμμή μολυβιού, ευθυγραμμίστε τη γραμμή μολυβιού με το άκρο της σκιάς της λεπίδας. Να έχετε υπόψη σας ότι μπορεί να χρειαστεί να ρυθμίσετε τις γωνίες λοξής κοπής ή φάλτσοκοπής ώστε να ταιριάζετε ακριβώς τη γραμμή μολυβιού.

Το πριόνι σας είναι εξοπλισμένο με λειτουργία ανίχνευσης βλάβης της μπαταρίας. Ο φωτισμός εργασίας αρχίζει να αναβοσβήνει όταν η μπαταρία πλησιάζει το τέλος της ωφέλιμης φόρτισης της ή όταν έχει υπερθερμανθεί η μπαταρία. Φορτίστε την μπαταρία πριν συνεχίσετε με τις εφαρμογές κοπής. Για οδηγίες φόρτισης της μπαταρίας ανατρέξτε στο τμήμα Διαδικασία φόρτισης στην ενότητα Σημαντικές οδηγίες ασφαλείας για τα πακέτα μπαταριών.

Ρύθμιση γωνίας λοξής κοπής (Εικ. J)

Η λαβή ασφαλίσης λοξής κοπής (5) και το κουμπί μανδάλωσης λοξής κοπής (6) σας επιτρέπουν να ρυθμίσετε τη γωνία λοξής κοπής του πριονιού σας έως 47° δεξιά και 47° αριστερά. Η μανδάλωση λοξής κοπής θα εντοπίσει αυτόματα τις θέσεις 0°, 15°, 22,5°, 31,6° και 45° τόσο αριστερά όσο και δεξιά. Για να φέρετε το πριόνι σε θέση λοξής κοπής, απασφαλίστε το μηχανισμό ασφαλίσης λοξής κοπής περιστρέφοντας τη λαβή ασφαλίσης λοξής κοπής (5) αριστερόστροφα για να απασφαλίσετε και δεξιόστροφα για να ασφαλίσετε. Τραβήξτε προς τα πάνω το κουμπί μανδάλωσης λοξής κοπής (6) και ρυθμίστε στην κλίμακα λοξής κοπής (8) την επιθυμητή γωνία λοξής κοπής. Σφίξτε πάλι τη λαβή ασφαλίσης λοξής κοπής (5) περιστρέφοντάς τη δεξιόστροφα.

Λαβή ασφαλίσης φάλτσοκοπής (Εικ. K)

Η ασφάλιση φάλτσοκοπής σας επιτρέπει να ρυθμίσετε τη γωνία φάλτσοκοπής του πριονιού έως 48° αριστερά. Για να προσαρμόσετε τη ρύθμιση της φάλτσοκοπής, περιστρέψτε τη λαβή ασφαλίσης φάλτσοκοπής (12) αριστερόστροφα για να

τη λασκάρετε. Για σύσφιξη, περιστρέψτε δεξιόστροφα τη λαβή ασφάλισης φάλτσοκοπής.

Προσοχή! Κίνδυνος εμπλοκής. Βεβαιωθείτε να σφίξετε τη λαβή ασφάλισης φάλτσοκοπής πριν παρακάμψετε ρύθμιση.

Διακόπτης σκανδάλης (Εικ. L)

Για να ενεργοποιήσετε το πριόνι, ωθήστε αριστερά το μοχλό (17) ασφάλισης σε απενεργοποιημένη κατάσταση και κατόπιν πιέστε το διακόπτη σκανδάλης (1). Το πριόνι θα λειτουργεί όσο πατάτε το διακόπτη. Αφήστε τη λεπίδα να περιστραφεί φθάνοντας την πλήρη ταχύτητα λειτουργίας πριν αρχίσετε την κοπή. Για να απενεργοποιήσετε το πριόνι, αφήστε το διακόπτη. Επιτρέψτε στη λεπίδα να σταματήσει πριν ανυψώσετε τη λεπίδα πριονιού. Δεν υπάρχει πρόβλεψη για ασφάλιση του διακόπτη στην ενεργοποιημένη κατάσταση. Μια οπή (1a) έχει προβλεφθεί στη σκανδάλη για εισαγωγή λουκέτου κλειδώματος του διακόπτη.

Το πριόνι σας δεν είναι εξοπλισμένο με αυτόματο ηλεκτρικό φρένο λεπίδας, αλλά η λεπίδα πριονιού θα πρέπει να σταματά σε 5 δευτερόλεπτα από την απελευθέρωση του διακόπτη σκανδάλης. Αυτό δεν μπορεί να ρυθμιστεί. Αν ο χρόνος σταματήματος υπερβαίνει επανειλημμένα τα 5 δευτερόλεπτα, παραδώστε το εργαλείο για σέρβις σε εξουσιοδοτημένο κέντρο σέρβις Stanley FatMax. Πάντα να βεβαιώνετε ότι η λεπίδα έχει σταματήσει, πριν την απομακρύνετε από την εντομή κοπής.

Εξαγωγή σκόνης (Εικ. M)

Προειδοποίηση! Για να μειώσετε τον κίνδυνο σοβαρού τραυματισμού, απενεργοποιήστε το εργαλείο και αφαιρέστε το πακέτο μπαταρίας πριν τη μεταφορά, οποιεσδήποτε ρυθμίσεις ή πριν αφαιρέσετε/τοποθετήσετε προσαρτήματα ή αξεσουάρ. Τυχόν αθέλητη εκκίνηση μπορεί να προκαλέσει τραυματισμό.

Το πριόνι σας διαθέτει ενσωματωμένο στόμιο εξαγωγής σκόνης (14) που επιτρέπει να συνδεθεί είτε η παρεχόμενη σακούλα συλλογής σκόνης (35) είτε ένα σύστημα αναρρόφησης του συνεργείου.

Για να συνδέσετε τη σακούλα σκόνης

- ◆ Τοποθετήστε τη σακούλα σκόνης (35) στο στόμιο εξαγωγής σκόνης (14) όπως δείχνει η Εικόνα M.
- ◆ Αντί της σακούλας σκόνης (35) μπορείτε να τοποθετήσετε στο στόμιο εξαγωγής σκόνης (14) ένα σωλήνα αναρρόφησης (38 - δεν παρέχεται). Αυτό μπορείτε να το επιτύχετε τοποθετώντας το σωλήνα αναρρόφησης (38) στη θέση της σακούλας σκόνης (35), βλ. εικόνα M.
- ◆ Χρησιμοποιήστε την ταινία χριτς χρατς (13a) για να συγκρατήσετε το σωλήνα αναρρόφησης (38) μακριά από τις ράγες ολίσθησης (13) κατά τη λειτουργία του πριονιού.

Σημείωση: Η ταινία χριτς χρατς (13a) δεν είναι λαβή μεταφοράς και δεν πρέπει να τη χρησιμοποιείτε για μετακίνηση ή μεταφορά το πριονιού.

Για να αδειάσετε τη σακούλα σκόνης

- ◆ Αφαιρέστε τη σακούλα σκόνης (35) από το πριόνι και ανακινήστε την προσεκτικά ή χτυπήστε την ελαφρά για να την αδειάσετε.
- ◆ Συνδέστε πάλι τη σακούλα συλλογής σκόνης στο στόμιο εξαγωγής σκόνης (14).

Μπορεί να παρατηρήσετε ότι δεν θα απομακρυνθεί όλη η σκόνη από τη σακούλα. Αυτό δεν θα επηρεάσει την απόδοση κοπής αλλά θα μειώσει την αποτελεσματικότητα συλλογής σκόνης του πριονιού. Για να αποκαταστήσετε την αποτελεσματικότητα συλλογής σκόνης του πριονιού σας, πιέστε το ελατήριο μέσα στη σακούλα συλλογής σκόνης όταν την αδειάζετε και χτυπήστε την ελαφρά στο πλάι του κάδου απορριμάτων ή του δοχείου υποδοχής της σκόνης.

Προειδοποίηση! Ποτέ μη θέσετε σε λειτουργία αυτό το πριόνι χωρίς να έχει τοποθετηθεί στη θέση της η σακούλα σκόνης. Η σκόνη του ξύλου μπορεί να δημιουργήσει κίνδυνο για την εισπνοή.

Κοπή με το πριόνι

Αν δεν χρησιμοποιείται η δυνατότητα ολίσθησης, βεβαιωθείτε ότι η κεφαλή πριονιού έχει σπρωχτεί όσο το δυνατόν προς τα πίσω και ότι είναι σφιγμένη η βίδα ασφάλισης στις ράγες (18). Έτσι θα αποτραπεί η ολίσθηση του πριονιού κατά μήκος των ραγών του καθώς η λεπίδα συναντά το τεμάχιο εργασίας.

Σημείωση: ΜΗΝ ΚΟΒΕΤΕ ΣΙΔΗΡΟΥΧΑ ΜΕΤΑΛΛΑ Ή ΕΙΔΗ ΤΟΙΧΟΠΟΪΑΣ ΜΕ ΑΥΤΟ ΤΟ ΠΡΙΟΝΙ (ΜΠΟΡΕΙΤΕ ΝΑ ΚΟΨΕΤΕ ΜΗ ΣΙΔΗΡΟΥΧΑ ΜΕΤΑΛΛΑ ΜΕ ΑΥΤΟ ΤΟ ΠΡΙΟΝΙ). Μη χρησιμοποιήσετε κανέναν είδους λεπίδα λείανσης.

Σημείωση: Πριν πραγματοποιήσετε κοπή, ανατρέξτε στο τμήμα Χρήση του προφυλακτήρα και ορατότητα στην ενότητα Ρυθμίσεις για σημαντικές πληροφορίες σχετικά με τον κάτω προφυλακτήρα.

Εγκάρσιες κοπές (εικ. N)

Μια εγκάρσια κοπή γίνεται με κοπή του ξύλου κάθετα στα νερά του υπό οποιαδήποτε γωνία. Μια ίσια εγκάρσια κοπή γίνεται με το βραχίονα λοξής κοπής στη θέση των μηδέν μοιρών. Ρυθμίστε και ασφαλίστε το βραχίονα λοξής κοπής στο μηδέν και συγκρατήστε το ξύλο σταθερά πάνω στο τραπέζι και σε επαφή με τον οδηγό. Με σφιγμένο το κουμπί ασφάλισης στις ράγες (18), ενεργοποιήστε το πριόνι πιέζοντας το διακόπτη σκανδάλης (1).

Όταν το πριόνι επιτύχει την ταχύτητα λειτουργίας του (περίπου σε 1 δευτερόλεπτο), χαμηλώστε το βραχίονα ομαλά και αργά για να κόψετε δια μέσου του ξύλου. Αφήστε τη λεπίδα να σταματήσει τελείως πριν ανυψώσετε το βραχίονα. Όταν κόβετε οτιδήποτε μεγαλύτερο από 51 mm x 102 mm (2 x 4"), χρησιμοποιήστε μια κίνηση προς τα έξω-κάτω-πίσω με το κουμπί ασφάλισης στις ράγες (18) λασκαρισμένο. Τραβήξτε το πριόνι έξω, προς το μέρος σας, χαμηλώστε την κεφαλή

πριονιού προς το αντικείμενο εργασίας, και αργά, σπρώξτε πάλι αργά πίσω το πριόνι για να ολοκληρώσετε την κοπή. Μην επιτρέψετε στη λεπίδα πριονιού να έρθει σε επαφή με το πάνω μέρος του τεμαχίου εργασίας ενώ το τραβάτε έξω. Το πριόνι μπορεί να κινηθεί προς το μέρος σας, πιθανά προκαλώντας τραυματισμό από μόνον ή ζημιά στο αντικείμενο εργασίας.

Προειδοποίηση! Πάντα χρησιμοποιείτε ένα σφιγκτήρα εργασίας για να διατηρείτε τον έλεγχο και να μειώνετε τον κίνδυνο πρόκλησης ζημιάς στο τεμάχιο εργασίας ή τραυματισμού, αν τα χέρια σας απαιτείται να βρίσκονται εντός 152 mm (6") από τη λεπίδα κατά τη διάρκεια της κοπής.

Σημείωση! Το κουμπί ασφαλίσης στις ράγες (18) πρέπει να είναι λασκαρισμένο για να επιτρέπει στο πριόνι να ολισθήσει κατά μήκος των ραγών του.

Οι λοξές εγκάρσιες κοπές γίνονται με το βραχίονα λοξής κοπής σε κάποια γωνία εκτός του μηδενός.

Αυτή η γωνία συχνά είναι 45° για κατασκευή γωνιών, αλλά μπορεί να ρυθμιστεί σε οποιαδήποτε τιμή από μηδέν έως 47° αριστερά ή 47° δεξιά. Εκτελέστε την κοπή όπως περιγράφηκε πιο πάνω.

Όταν εκτελείτε μια λοξή κοπή σε σχετικά μικρού μήκους τεμάχια εργασίας με πλάτος μεγαλύτερο από 2 x 6, πάντα να τοποθετείτε τη μακρύτερη πλευρά σε επαφή με τον οδηγό (Εικ. Ν).

Για να επιτύχετε κοπή μέσω υπάρχουσας γραμμής μολυβιού σε ένα κομμάτι ξύλου, ρυθμίστε τη γωνία ώστε να συμφωνεί όσο το δυνατόν περισσότερο. Κόψτε το ξύλο λίγο μακρύτερο από ότι χρειάζεται και μετρήστε από τη γραμμή μολυβιού ως την κομμένη άκρη για να προσδιορίσετε προς ποια πλευρά πρέπει να ρυθμίσετε τη γωνία λοξής κοπής και κόψτε πάλι.

Για το σκοπό αυτόν θα χρειαστεί ορισμένη εξάσκηση, αλλά είναι μια τεχνική που χρησιμοποιείται συχνά.

Φαλτσοκοπές

Μια φαλτσοκοπή είναι μια εγκάρσια κοπή που γίνεται με τη λεπίδα πριονιού σε κλίση ως προς το ξύλο. Για να ρυθμίσετε τη φαλτσοκοπή, λασκάρτε τη λαβή ασφαλίσης φαλτσοκοπής (12) και μετακινήστε το πριόνι προς τα αριστερά όπως χρειάζεται. Αφού έχετε ρυθμίσει την επιθυμητή γωνία φαλτσοκοπής, σφίξτε καλά την ασφαλίση φαλτσοκοπής. Οι γωνίες φαλτσοκοπής μπορούν να ρυθμιστούν από 3° δεξιά έως 48° αριστερά.

Ποιότητα κοπής

Η ομαλότητα οποιασδήποτε κοπής εξαρτάται από έναν αριθμό παραγόντων. Παράγοντες όπως το είδος του υλικού που κόβεται, ο τύπος της λεπίδας, η αιχμηρότητα της λεπίδας και η ταχύτητα κοπής, όλοι συμβάλουν στην ποιότητα της κοπής. Όταν απαιτούνται οι πιο ομαλές κοπές, για δημιουργία κορνιζών και για άλλες εργασίες ακριβείας, θα

έχετε τα επιθυμητά αποτελέσματα αν χρησιμοποιήσετε μια αιχμηρή λεπίδα (60 δοντιών με μύτη καρβιδίου) και έναν πιο αργό, ομοιόμορφο ρυθμό κοπής. Βεβαιωθείτε ότι το υλικό δεν κινείται ή ολισθαίνει μετακινείται κατά την κοπή. Στερεώστε το καλά στη θέση του.

Αφήνετε πάντα τη λεπίδα να σταματήσει τελείως πριν ανυψώσετε το βραχίονα.

Αν στο πίσω μέρος του τεμαχίου εργασίας εξακολουθούν να διαχωρίζονται μικρές ίνες ξύλου, κολλήστε ένα κομμάτι κολλητικής χαρτοταινίας στο ξύλο εκεί που θα γίνει η κοπή. Εκτελέστε την κοπή μέσα από την ταινία και αφαιρέστε προσεκτικά την ταινία όταν τελειώσετε.

Για τις διάφορες εφαρμογές κοπής, ανατρέξτε στη λίστα των συνιστώμενων λεπίδων πριονιού ειδικά για το πριόνι σας και επιλέξτε αυτή που ταιριάζει καλύτερα στις ανάγκες σας. Ανατρέξτε στο τμήμα Λεπίδες πριονιού στην ενότητα Προαιρετικά αξεσουάρ.

Κατάλληλη θέση σώματος και χεριών (εικ. Ο1–Ο4)

Η σωστή τοποθέτηση του σώματος και των χεριών σας όταν χρησιμοποιείτε το φαλτσοπριόνι θα διευκολύνει να γίνει η κοπή με μεγαλύτερη ακρίβεια και ασφάλεια. Ποτέ μην τοποθετείτε τα χέρια σας κοντά στην περιοχή κοπής. Μην τοποθετήσετε τα χέρια σας πιο κοντά από 152 mm (6") από τη λεπίδα. Κρατάτε το τεμάχιο εργασίας σφικτά σε επαφή με το τραπέζι και τον οδηγό όταν κόβετε. Κρατάτε τα χέρια σας στη θέση τους έως ότου έχει ελευθερωθεί η σκανδάλη και έχει σταματήσει τελείως η κίνηση της λεπίδας.

ΠΑΝΤΑ ΝΑ ΚΑΝΕΤΕ ΔΟΚΙΜΕΣ ΜΕ ΑΠΕΝΕΡΓΟΠΟΙΗΜΕΝΟ ΠΡΙΟΝΙ (ΧΩΡΙΣ ΤΡΟΦΟΔΟΣΙΑ ΡΕΥΜΑΤΟΣ) ΠΡΙΝ ΤΙΣ ΤΕΛΙΚΕΣ ΚΟΠΕΣ ΩΣΤΕ ΝΑ ΜΠΟΡΕΙΤΕ ΝΑ ΕΛΕΓΞΕΤΕ ΤΗ ΔΙΑΔΡΟΜΗ ΤΗΣ ΛΕΠΙΔΑΣ. ΜΗ ΔΙΑΣΤΑΥΡΩΝΕΤΕ ΤΑ ΧΕΡΙΑ ΟΠΩΣ ΔΕΙΧΝΕΙ Η ΕΙΚΟΝΑ Ο3.

Κρατάτε και τα πόδια σταθερά στο δάπεδο και διατηρείτε σωστή ισορροπία. Καθώς μετακινείτε το βραχίονα λοξής κοπής αριστερά και δεξιά, ακολουθήστε τον και σταθείτε ελαφρά προς το πλάι της λεπίδας πριονιού. Κοιτάτε μέσα από τις περσίδες του προστατευτικού, όταν ακολουθείτε μια γραμμή μολυβιού.

Σύσφιξη του αντικειμένου εργασίας

Προειδοποίηση! Για να μειώσετε τον κίνδυνο σοβαρού τραυματισμού, απενεργοποιήστε το εργαλείο και αφαιρέστε το πακέτο μπαταρίας πριν τη μεταφορά, οποιοσδήποτε ρυθμίσεις ή πριν αφαιρέσετε/τοποθετήσετε προσαρτήματα ή αξεσουάρ. Τυχόν αθέλητη εκκίνηση μπορεί να προκαλέσει τραυματισμό.

Προειδοποίηση! Ένα τεμάχιο εργασίας που είναι σφιγμένο, ισορροπημένο και στερεωμένο πριν από μια κοπή, μπορεί να μην είναι πλέον ισορροπημένο αφού ολοκληρωθεί η κοπή. Ένα μη ισορροπημένο φορτίο μπορεί να προκαλέσει

ανατροπή του πριονιού ή οποιουδήποτε αντικείμενου στο οποίο είναι συνδεδεμένο το πριόνι, όπως τραπεζιού ή πάγκου εργασίας. Όταν πραγματοποιείτε μια κοπή όπου μπορεί να δημιουργηθεί πρόβλημα ισορροπίας, υποστηρίξτε κατάλληλα το τεμάχιο εργασίας και βεβαιωθείτε ότι το πριόνι είναι σταθερά στερεωμένο με μπουλόνια σε σταθερή επιφάνεια. Μπορεί να προκύψει τραυματισμός.

Προειδοποίηση! Το πέλμα σύσφιξης πρέπει να παραμείνει συσφιγμένο πάνω από τη βάση του πριονιού όταν χρησιμοποιείται ο σφινγκτήρας. Πάντα συσφίγγετε το τεμάχιο εργασίας στη βάση του πριονιού – όχι σε οποιοδήποτε άλλο μέρος της περιοχής εργασίας. Βεβαιωθείτε ότι το πέλμα σύσφιξης δεν είναι συσφιγμένο στο άκρο της βάσης του πριονιού.

Προειδοποίηση! Πάντα χρησιμοποιείτε ένα σφινγκτήρα εργασίας για να διατηρείτε τον έλεγχο και να μειώνετε τον κίνδυνο πρόκλησης ζημιάς στο τεμάχιο εργασίας ή τραυματισμού, αν τα χέρια σας απαιτείται να βρίσκονται εντός 152 mm (6") από τη λεπίδα κατά τη διάρκεια της κοπής. Αν δεν μπορείτε να στερεώσετε το τεμάχιο εργασίας πάνω στο τραπέζι και να το διατηρείτε σε επαφή με τον οδηγό με το χέρι (ακανόνιστο σχήμα κλπ.), ή αν το χέρι σας υπάρχει πιθανότητα να πλησιάσει πιο κοντά από 152 mm (6") από τη λεπίδα, τότε πρέπει να χρησιμοποιηθεί ένας σφινγκτήρας ή άλλη διάταξη.

Χρησιμοποιείτε το σφινγκτήρα υλικού που συνοδεύει το πριόνι σας. Για να προμηθευτείτε ένα σφινγκτήρα υλικού, επικοινωνήστε με τον τοπικό σας αντιπρόσωπο ή κέντρο σέρβις της Stanley FatMax. Άλλα βοηθήματα, όπως σφινγκτήρες με ελατήριο, σφινγκτήρες ράβδου ή σφινγκτήρες σχήματος C μπορεί να είναι κατάλληλα για ορισμένα μεγέθη και σχήματα υλικών. Να προσέχετε στην επιλογή και τοποθέτηση αυτών των σφινγκτήρων. Αφιερώστε χρόνο για μια δοκιμαστική εικονική κοπή πριν πραγματοποιήσετε την πραγματική κοπή.

Για να εγκαταστήσετε το σφινγκτήρα (εικ. P)

- ◆ Εισάγετε το σφινγκτήρα (37) στην οπή (19) πίσω από τον οδηγό. Ο σφινγκτήρας πρέπει να κοιτάζει προς την πίσω πλευρά του φάλτσοπριονίου. Η αυλάκωση στη ράβδο του σφινγκτήρα πρέπει να εισαχθεί πλήρως στη βάση. Βεβαιωθείτε ότι η αυλάκωση έχει εισαχθεί πλήρως στη βάση του φάλτσοπριονίου. Αν είναι ορατή η αυλάκωση, ο σφινγκτήρας δεν θα είναι σταθερά στερεωμένος.
- ◆ Περιστρέψτε το σφινγκτήρα 180° προς το μπροστινό μέρος του φάλτσοπριονίου.
- ◆ Λασκάρτε τη λαβή για να ρυθμίσετε το σφινγκτήρα προς τα πάνω ή κάτω και κατόπιν χρησιμοποιήστε το κουμπί μικρορύθμισης για να συσφίξετε καλά το τεμάχιο εργασίας.

Σημείωση: Τοποθετήστε το σφινγκτήρα στην αντίθετη πλευρά της βάσης όταν εκτελείτε φάλτσοκοπή. ΠΑΝΤΑ ΝΑ ΚΑΝΕΤΕ ΔΟΚΙΜΕΣ ΜΕ ΑΠΕΝΕΡΓΟΠΟΙΗΜΕΝΟ ΠΡΙΟΝΙ (ΧΩΡΙΣ ΤΡΟΦΟΔΟΣΙΑ) ΠΡΙΝ ΤΙΣ ΤΕΛΙΚΕΣ ΚΟΠΕΣ ΩΣΤΕ ΝΑ ΕΛΕΓΧΕΤΕ ΤΗ ΔΙΑΔΡΟΜΗ ΤΗΣ ΛΕΠΙΔΑΣ. ΒΕΒΑΙΩΘΕΙΤΕ ΟΤΙ Ο ΣΦΙΓΚΤΗΡΑΣ ΔΕΝ ΕΜΠΟΔΙΖΕΙ ΤΗ ΛΕΙΤΟΥΡΓΙΑ ΤΟΥ ΠΡΙΟΝΙΟΥ Ή ΤΩΝ ΠΡΟΦΥΛΑΚΤΗΡΩΝ.

ΡΥΘΜΙΣΕΙΣ

Το φάλτσοπριόνι σας έχει ρυθμιστεί πλήρως και με ακρίβεια στο εργοστάσιο κατά την κατασκευή του. Αν χρειαστεί επαναρρύθμιση λόγω μεταφοράς και χειρισμών ή για οποιονδήποτε άλλο λόγο, ακολουθήστε τις πιο κάτω οδηγίες για να ρυθμίσετε το πριόνι σας.

Όταν γίνει αυτό, οι ρυθμίσεις αυτές θα πρέπει να παραμείνουν ακριβείς. Τώρα αφιερώστε λίγο χρόνο για να ακολουθήσετε προσεκτικά αυτές τις οδηγίες ώστε να διατηρήσετε την ακρίβεια για την οποία είναι ικανό το πριόνι σας.

Ρύθμιση κλίμακας λοξής κοπής (εικ. Q1)

Ασφαλίστε το βραχίονα στην κάτω θέση. Απασφαλίστε τη λαβή ασφάλισης λοξής κοπής (5) και στρίψτε το βραχίονα λοξής κοπής έως ότου το κουμπί μανδάλωσης λοξής κοπής (6) ασφαλίσει στη θέση γωνίας λοξής κοπής 0°. Μην ασφαλίσετε τη λαβή ασφάλισης λοξής κοπής. Τοποθετήστε μια γωνία σε επαφή με τον οδηγό και τη λεπίδα του πριονιού, όπως δείχνει η εικόνα. (Μην αγγίζετε τις μύτες των δοντιών της λεπίδας με τη γωνιά. Αν το κάνετε αυτό θα επηρεαστεί αρνητικά η ακρίβεια της μέτρησης.)

Αν η λεπίδα πριονιού δεν είναι ακριβώς κάθετη προς τον οδηγό, λασκάρτε και μετακινήστε τον οδηγό υλικού έως ότου η λεπίδα είναι κάθετη στον οδηγό, όπως το επιβεβαιώνετε με τη γωνιά. Προς το παρόν, μη δώσετε σημασία στην ένδειξη του δείκτη γωνίας λοξής κοπής.

Ρύθμιση καθετότητας της λεπίδας ως προς το τραπέζι (Εικ. Q2)

Για να ευθυγραμμίσετε τη λεπίδα σε ορθή γωνία ως προς το τραπέζι, ασφαλίστε το βραχίονα στην κάτω θέση με τον περίο ασφάλισης στην κάτω θέση (20). Τοποθετήστε μια γωνιά σε επαφή με τη λεπίδα και βεβαιωθείτε ότι η γωνιά δεν βρίσκεται πάνω σε δόντι. Λασκάρτε τη λαβή ασφάλισης φάλτσοκοπής (5) και βεβαιωθείτε ότι ο βραχίονας είναι σε σταθερή επαφή με το στοπ φάλτσοκοπής 0°. Περιστρέψτε τη βίδα ρύθμισης 0° φάλτσοκοπής με το καρυδάκι 1/2" (12,7 mm) (δεν παρέχεται) όπως χρειάζεται, ώστε η λεπίδα να είναι σε γωνία φάλτσοκοπής 0° ως προς το τραπέζι, όπως αυτό προσδιορίζεται με τη γωνιά.

Χρήση του προφυλακτήρα και ορατότητα (Εικ. V)

Προειδοποίηση! Κίνδυνος εμπλοκής. Για να μειώσετε τον κίνδυνο τραυματισμού, διατηρείτε τον αντίχειρα κάτω από τη

λαβή χειρισμού όταν τραβάτε τη λαβή προς τα κάτω. Ο κάτω προφυλακτήρας θα κινηθεί προς τα πάνω καθώς τραβάτε τη λαβή χειρισμού προς τα κάτω, κάτι που θα μπορούσε να προκαλέσει εμπλοκή.

Ο κάτω προφυλακτήρας (4) του πριονιού σας έχει σχεδιαστεί ώστε να αποκαλύπτει αυτόματα τη λεπίδα όταν κατεβάζετε το βραχίονα και να καλύπτει τη λεπίδα όταν ανυψώνετε το βραχίονα.

Πριν από κάθε χρήση, ή μετά από την πραγματοποίηση ρυθμίσεων, ανοίξτε και κλείστε τον προφυλακτήρα (χωρίς να υπάρχει τροφοδοσία με ρεύμα) για να βεβαιωθείτε ότι ο προφυλακτήρας ανοίγει ομαλά και κλείνει πλήρως. Δεν θα πρέπει να έρχεται σε επαφή με τη λεπίδα. Με το βραχίονα επάνω, ανυψώστε τον προφυλακτήρα (χωρίς να υπάρχει τροφοδοσία με ρεύμα) όπως δείχνει η Εικόνα V και ελευθερώστε τον. Ο προφυλακτήρας θα πρέπει να κλείσει πολύ γρήγορα.

Μη χρησιμοποιήσετε το πριόνι αν ο κάτω προφυλακτήρας δεν κινείται ελεύθερα και δεν κλείνει πλήρως και πολύ γρήγορα. Σε καμία περίπτωση μη συσφίξετε ή δέσετε τον προφυλακτήρα σε ανοικτή θέση όταν χρησιμοποιείτε το πριόνι.

Ο προφυλακτήρας μπορεί να ανυψωθεί με το χέρι όταν εγκαθιστάτε ή αφαιρείτε λεπίδες πριονιού ή για έλεγχο του πριονιού.

ΣΕ ΚΑΜΙΑ ΠΕΡΙΠΤΩΣΗ ΜΗΝ ΑΝΥΨΩΣΕΤΕ ΤΟΝ ΚΑΤΩ ΠΡΟΦΥΛΑΚΤΗΡΑ ΜΕ ΤΟ ΧΕΡΙ ΑΝ ΔΕΝ ΕΧΕΙ ΣΤΑΜΑΤΗΣΕΙ ΤΕΛΕΙΩΣ ΝΑ ΚΙΝΕΙΤΑΙ Η ΛΕΠΙΔΑ.

Σημείωση: Για ορισμένες ειδικές κοπές μεγάλων υλικών θα χρειαστεί να ανυψώσετε τον προφυλακτήρα με το χέρι. Ανατρέξτε στο τμήμα Κοπή μεγάλων υλικών στην ενότητα Ειδικές κοπές.

Το μπροστινό τμήμα του προφυλακτήρα διαθέτει περσίδες για καλύτερη ορατότητα κατά την κοπή. Παρόλο που οι περσίδες περιορίζουν δραματικά τα εκτινασσόμενα σωματίδια, υπάρχουν ανοίγματα στον προφυλακτήρα και γι' αυτό πρέπει πάντα να φοράτε γυαλιά ασφαλείας.

Οδηγός με ράγες

Ελέγχετε τακτικά τις ράγες (13) ως προς το τζόγο ή το διάκενο. Μπορείτε να καθαρίζετε τις ράγες με ένα στεγνό και καθαρό πανί.

Κοπή κορνιζών φωτογραφιών, κουτιών διοράματος και άλλων κατασκευών με τέσσερις πλευρές (Εικ. R1, R2)

Για να κατανοήσετε καλύτερα πώς να κατασκευάσετε τα είδη που αναφέρονται εδώ, συνιστούμε να δοκιμάσετε μερικές απλές κατασκευές χρησιμοποιώντας άχρηστο ξύλο έως ότου αναπτύξετε μια "αίσθηση" για το πριόνι σας.

Το πριόνι σας είναι το τέλειο εργαλείο για λοξή κοπή γωνιών όπως αυτών που φαίνονται στην Εικόνα R1. Το σχέδιο A στην Εικόνα R2 δείχνει μια ένωση που έγινε με χρήση της ρύθμισης φалтσογωνιάς για φалтσοκοπή των άκρων των δύο σανίδων σε γωνία 45° ώστε να παραχθεί μια γωνία 90°. Για αυτή την ένωση, ο βραχίονας λοξής κοπής ήταν ασφαλισμένος στη θέση μηδέν και η ρύθμιση γωνίας φалтσοκοπής ήταν ασφαλισμένη στις 45°. Το ξύλο τοποθετήθηκε με την πλατιά επίπεδη πλευρά σε επαφή με το τραπέζι και τη στενή ακμή σε επαφή με τον οδηγό. Η ίδια κοπή μπορεί να γίνει με λοξή κοπή δεξιά και αριστερά με την πλατιά επιφάνεια σε επαφή με τον οδηγό.

Κοπή κορνιζών και άλλων πλαισίων (εικ. R2)

Το σχήμα B στην Εικόνα R2 δείχνει μια ένωση που έγινε με ρύθμιση του βραχίονα λοξής κοπής σε 45° για να κοπούν οι δύο σανίδες ώστε να σχηματιστεί γωνία 90°. Για να πραγματοποιήσετε αυτόν τον τύπο της ένωσης, ρυθμίστε τη γωνία φалтσοκοπής σε μηδέν και το βραχίονα λοξής κοπής σε 45°. Και πάλι το ξύλο τοποθετείται με την πλατιά πλευρά σε επαφή με το τραπέζι και τη στενή ακμή σε επαφή με τον οδηγό.

Οι Εικόνες R1 και R2 αφορούν μόνο αντικείμενα με τέσσερις πλευρές.

Όταν αλλάζει ο αριθμός των πλευρών, αλλάζουν και οι γωνίες λοξής κοπής και φалтσοκοπής. Ο πιο κάτω πίνακας αναφέρει τις σωστές ρυθμίσεις γωνίας για διάφορα σχήματα.

Παραδείγματα

| Αριθμός πλευρών | Γωνία λοξής ή φάλτσας κοπής |
|-----------------|-----------------------------|
| 4 | 45° |
| 5 | 36° |
| 6 | 30° |
| 7 | 25,7° |
| 8 | 22,5° |
| 9 | 20° |
| 10 | 18° |

Για τη δημιουργία του πίνακα έγινε η υπόθεση ότι όλες οι πλευρές είναι ίσου μήκους. Για κάποιο σχήμα που δεν αναφέρεται στον πίνακα, χρησιμοποιήστε τον εξής υπολογιστικό τύπο: αν διαιρέσετε τις 180° δια τον αριθμό των πλευρών έχετε τη γωνία λοξής κοπής (αν το υλικό κόβεται κάθετα) ή τη γωνία φалтσοκοπής (αν το υλικό κόβεται ενώ στηρίζεται στην πλατιά του επιφάνεια).

Πραγματοποίηση σύνθετων λοξών κοπών (εικ. R3)

Μια σύνθετη λοξή κοπή είναι μια κοπή που γίνεται με ταυτόχρονη χρήση γωνίας λοξής κοπής και γωνίας φалтσοκοπής. Αυτός είναι ο τύπος της κοπής που

χρησιμοποιείται για τη δημιουργία πλαισίων ή κιβωτίων με κεκλιμένες πλευρές όπως αυτό που φαίνεται στην εικόνα R3.

Σημείωση: Αν η γωνία κοπής διαφέρει από κοπή σε κοπή, ελέγξτε ότι έχουν ασφαλίσει καλά το κουμπί ασφάλισης λοξής κοπής και η λαβή ασφάλισης φαλτοσκοπής. Αυτά πρέπει να ασφαλίζονται μετά την πραγματοποίηση οποιασδήποτε ρύθμισης γωνίας λοξής κοπής ή φαλτοσκοπής. Το διάγραμμα στο τέλος αυτού του εγχειριδίου (Πίνακας 1) θα σας βοηθήσει να επιλέξετε τις σωστές ρυθμίσεις γωνίας φαλτοσκοπής και λοξής κοπής για συννηθισμένες σύνθετες λοξές κοπές. Για να χρησιμοποιήσετε το διάγραμμα, επιλέξτε την επιθυμητή γωνία A (Εικ. R3) για την κατασκευή σας και εντοπίστε τη γωνία αυτή στο κατάλληλο τόξο στο διάγραμμα. Από το σημείο αυτό ακολουθήστε το διάγραμμα ευθεία προς τα κάτω για να βρείτε τη σωστή γωνία φαλτοσκοπής και ευθεία οριζόντια για να βρείτε τη σωστή γωνία λοξής κοπής. Ρυθμίστε το πριόνι σας στις προβλεπόμενες γωνίες και κάνετε λίγες δοκιμαστικές κοπές. Εξασκηθείτε στη συναρμογή των κομμένων τμημάτων έως ότου αναπτύξετε μια αίσθηση για αυτή τη διαδικασία και αισθάνεστε άνετα να την πραγματοποιείτε.

Παράδειγμα: Για να κατασκευάσετε ένα 4-πλευρο κιβώτιο με εξωτερικές γωνίες 26° (γωνία A, Εικ. R3), χρησιμοποιήστε το πάνω δεξιό τόξο. Βρείτε τις 26° πάνω στην κλίμακα του τόξου. Ακολουθήστε την οριζόντια τέμνουσα γραμμή προς οποιαδήποτε από τις δύο πλευρές για να βρείτε τη ρύθμιση γωνίας λοξής κοπής για το πριόνι (42°). Παρομοίως, ακολουθήστε την κάθετη τέμνουσα γραμμή προς το πάνω ή το κάτω μέρος για να αποκτήσετε τη ρύθμιση γωνίας φαλτοσκοπής για το πριόνι (18°). Πάντα να δοκιμάζετε τις κοπές σε κομμάτια άχρηστου ξύλου για να επαληθεύετε τις ρυθμίσεις του πριονιού.

Κοπή σοβατεπί (εικ. S)

Ευθείες κοπές 90°:

Τοποθετήστε το ξύλο σε επαφή με τον οδηγό και συγκρατήστε το στη θέση του όπως δείχνει η Εικόνα S. Ενεργοποιήστε το πριόνι, αφήστε τη λεπίδα να φθάσει σε πλήρη ταχύτητα και χαμηλώστε το βραχίονα ομαλά σε όλη την κοπή.

Κοπή σοβατεπί ύψους έως 90 mm (3,5") σε επαφή κάθετα με τον οδηγό

Τοποθετήστε το υλικό όπως δείχνει η Εικόνα S. Όλες οι κοπές θα πρέπει να γίνουν με την πίσω πλευρά του σοβατεπί σε επαφή με τον οδηγό και με το κάτω μέρος του σοβατεπί σε επαφή με το τραπέζι.

| | Εσωτερική γωνία | Εξωτερική γωνία |
|-----------------|---|--|
| Αριστερή πλευρά | Λοξή κοπή αριστερά 45° Φυλάξτε την αριστερή πλευρά της κοπής | Λοξή κοπή δεξιά 45° Φυλάξτε την αριστερή πλευρά της κοπής |
| Δεξιά πλευρά | Λοξή κοπή δεξιά 45° Φυλάξτε τη δεξιά πλευρά της κοπής | Λοξή κοπή αριστερά 45° Φυλάξτε τη δεξιά πλευρά της κοπής |

Υλικό έως 90 mm (3,5") μπορεί να κοπεί όπως περιγράφηκε πιο πάνω.

Κοπή κορνίζας οροφής

Για να εφαρμόσει σωστά, η κορνίζα οροφής πρέπει να κοπεί με σύνθετες λοξές κοπές εξαιρετικής ακρίβειας.

Οι δύο επίπεδες επιφάνειες σε ένα τμήμα κορνίζας οροφής είναι σε γωνίες οι οποίες, αν προστεθούν δίνουν ακριβώς 90°. Οι περισσότερες, αλλά όχι όλες οι κορνίζες οροφής έχουν μια πάνω πίσω γωνία (το τμήμα που εφάπτεται στην οροφή) μεγέθους 52° και κάτω πίσω γωνία (το τμήμα που εφάπτεται στον τοίχο) μεγέθους 38°.

Το φαλτοσπριόνι σας έχει ειδικά προρρυθμισμένα σημεία ασφάλισης στις 31,6° αριστερά και δεξιά για την κοπή κορνίζας οροφής στη σωστή γωνία. Επίσης υπάρχει σημάδι στην κλίμακα φαλτοσκοπής στις 33,8°.

Ο πίνακας Ρύθμιση φαλτοσκοπής/Τύπος κοπής δίνει τις σωστές ρυθμίσεις για την κοπή κορνίζας οροφής. (Οι αριθμοί για της ρυθμίζει λοξής κοπής και φαλτοσκοπής είναι πολύ ακριβείς και δεν είναι εύκολο να ρυθμιστούν με ακρίβεια στο πριόνι σας.) Επειδή τα περισσότερα δωμάτια δεν έχουν γωνίες ακριβώς 90°, θα χρειαστεί ούτως ή άλλως να προσαρμόσετε τις ρυθμίσεις σας με λεπτομέρεια.

Οδηγίες κοπής κορνίζας οροφής με την επίπεδη πλευρά στο τραπέζι και με χρήση των δυνατότητων σύνθετης κοπής

- ◆ Τοποθετήστε την κορνίζα με την πλατιά πίσω επιφάνεια να εφάπτεται πλήρως με την επιφάνεια του τραπεζιού του πριονιού (36) (εικ. T1).
- ◆ Οι παρακάτω ρυθμίσεις είναι για όλες τις συνήεις κορνίζες οροφής με γωνίες 52° και 38°.

| Ρύθμιση φαλτοσκοπής | Τύπος κοπής |
|---------------------|--|
| 33,8° | ΑΡΙΣΤΕΡΗ ΠΛΕΥΡΑ, ΕΣΩΤΕΡΙΚΗ ΓΩΝΙΑ: 1. Πάνω μέρος της κορνίζας σε επαφή με τον οδηγό 2. Τραπέζι λοξής κοπής ρυθμισμένο δεξιά στις 31,62° 3. Φυλάξτε το αριστερό άκρο της κοπής |
| 33,8° | ΔΕΞΙΑ ΠΛΕΥΡΑ, ΕΣΩΤΕΡΙΚΗ ΓΩΝΙΑ: 1. Το κάτω μέρος της κορνίζας σε επαφή με τον οδηγό 2. Τραπέζι λοξής κοπής ρυθμισμένο αριστερά στις 31,62° 3. Φυλάξτε το αριστερό άκρο της κοπής |

| Ρύθμιση φαλτοσκοπής | Τύπος κοπής |
|---------------------|---|
| 33,8° | ΑΡΙΣΤΕΡΗ ΠΛΕΥΡΑ, ΕΞΩΤΕΡΙΚΗ ΓΩΝΙΑ: 1. Το κάτω μέρος της κορνίζας σε επαφή με τον οδηγό. 2. Τραπέζι λοξής κοπής ρυθμισμένο αριστερά στις 31,62° 3. Φυλάξτε το δεξιό άκρο της κοπής |
| 33,8° | ΔΕΞΙΑ ΠΛΕΥΡΑ, ΕΞΩΤΕΡΙΚΗ ΓΩΝΙΑ: 1. Πάνω μέρος της κορνίζας σε επαφή με τον οδηγό. 2. Τραπέζι λοξής κοπής ρυθμισμένο δεξιά στις 31,62° 3. Φυλάξτε το δεξιό άκρο της κοπής |

Σημείωση: Όταν ρυθμίζετε τις γωνίες φάλτσας και λοξής κοπής για όλες τις σύνθετες λοξές κοπές, να θυμάστε ότι οι γωνίες που παρουσιάζονται για κορνίζες οροφής είναι πολύ ακριβείς και είναι δύσκολο να ρυθμιστούν ακριβώς. Επειδή μπορούν να μετακινηθούν ελαφρά και πολύ λίγα δωμάτια έχουν ακριβές ορθογωνίες γωνίες, πρέπει να δοκιμάσετε όλες τις ρυθμίσεις σε άχρηστα κομμάτια κορνίζας.

Εναλλακτική μέθοδος για κοπή κορνίζας οροφής

Τοποθετήστε την κορνίζα υπό γωνία ανάμεσα στον οδηγό (11) και στο τραπέζι πριονιού (36), με την πάνω πλευρά της κορνίζας πάνω στο τραπέζι και την κάτω πλευρά της κορνίζας πάνω στον οδηγό όπως η Εικόνα T1.

Το πλεονέκτημα στην κοπή κορνίζας οροφής με αυτή τη μέθοδο είναι ότι δεν χρειάζεται φαλτοσκοπή. Πολύ μικρές αλλαγές στη γωνία λοξής κοπής μπορούν να γίνουν χωρίς να επηρεαστεί η γωνία φαλτοσκοπής. Με αυτό τον τρόπο, όταν αντιμετωπίζετε γωνίες άλλες από 90°, το πριόνι μπορεί να ρυθμιστεί γρήγορα και εύκολα για τις γωνίες αυτές.

Οδηγίες κοπής κορνίζας οροφής σε γωνία ανάμεσα στον οδηγό και στη βάση του πριονιού για όλες τις κοπές

Αυτό το πριόνι μπορεί να κόψει έως 14 mm (9/16") x 92 mm (3-5/8") κορνίζας οροφής.

- ♦ Δώστε στο υλικό τις κορνίζες γωνία τέτοια ώστε το κάτω μέρος του (το μέρος που στηρίζεται στον τοίχο όταν εγκατασταθεί η κορνίζα) να είναι σε επαφή με τον οδηγό (11) και το πάνω μέρος της κορνίζας να εδράζεται πάνω στο τραπέζι πριονιού (36), όπως δείχνει η εικόνα T2.
- ♦ Τα υπό γωνία "επίπεδα" τμήματα στο πίσω μέρος της κορνίζας πρέπει να εδράζονται τέλεια στον οδηγό και το τραπέζι πριονιού (36).

| | Εσωτερική γωνία | Εξωτερική γωνία |
|-----------------|--|---|
| Αριστερή πλευρά | Λοξή κοπή δεξιά στις 45° Φυλάξτε τη δεξιά πλευρά της κοπής | Λοξή κοπή αριστερά στις 45° Φυλάξτε τη δεξιά πλευρά της κοπής |
| Δεξιά πλευρά | Λοξή κοπή αριστερά στις 45° Φυλάξτε την αριστερή πλευρά της κοπής | Λοξή κοπή δεξιά στις 45° Φυλάξτε την αριστερή πλευρά της κοπής |

Ειδικές κοπές

Ποτέ μην πραγματοποιήσετε οποιαδήποτε κοπή αν το υλικό δεν είναι στερεωμένο πάνω στο τραπέζι και σε επαφή με τον οδηγό.

Κυρτωμένο υλικό (εικ. U1, U2)

Όταν κόβετε κυρτωμένο υλικό πάντα ρυθμίζετε τη θέση του όπως φαίνεται στην Εικόνα U1 και σε καμία περίπτωση όπως δείχνει η Εικόνα U2. Η λανθασμένη τοποθέτηση του υλικού θα προκαλέσει την ενσφόνωση της λεπίδας όταν πλησιάζει η ολοκλήρωση της κοπής.

Κοπή στρογγυλών υλικών

Τα στρογγυλά υλικά πρέπει να συσφιγγονται ή να συγκρατούνται σταθερά ως προς τον οδηγό για να αποτραπεί η κύλισή τους. Αυτό είναι εξαιρετικά σημαντικό κατά την πραγματοποίηση κοπών υπό γωνία.

Κοπή μεγάλων υλικών (εικ. V)

Κατά καιρούς θα αντιμετωπίζετε κάποιο κομμάτι ξύλου που θα είναι πολύ μεγάλο για να χωρέσει κάτω από τον κάτω προφυλακτήρα. Για να περάσετε τον προφυλακτήρα πάνω από το ξύλο, με το πριόνι απενεργοποιημένο και με το δεξιό σας χέρι πάνω στη λαβή χειρισμού, τοποθετήστε το δεξιό σας αντίχειρα έξω από το πάνω τμήμα του προφυλακτήρα και ανεβάστε τον προφυλακτήρα μόνον όσο αρκεί για να περάσετε το ξύλο, όπως δείχνει η εικόνα V. Ελευθερώστε τον προφυλακτήρα πριν θέσετε σε λειτουργία το μοτέρ. Ο μηχανισμός του προφυλακτήρα θα λειτουργεί κανονικά κατά τη διάρκεια της κοπής. Αυτό πρέπει να το κάνετε μόνον όταν είναι απαραίτητο.

ΣΕ ΚΑΜΙΑ ΠΕΡΙΠΤΩΣΗ ΜΗ ΔΕΞΕΤΕ, ΚΟΛΛΗΣΕΤΕ ΜΕ ΤΑΙΝΙΑ Η ΣΥΓΚΡΑΤΗΣΕΤΕ ΜΕ ΟΠΟΙΟΝΔΗΠΟΤΕ ΑΛΛΟ ΤΡΟΠΟ ΤΟΝ ΠΡΟΦΥΛΑΚΤΗΡΑ ΣΕ ΑΝΟΙΚΤΗ ΘΕΣΗ ΚΑΤΑ ΤΗ ΧΡΗΣΗ ΤΟΥ ΠΡΙΟΝΙΟΥ ΑΥΤΟΥ.

Συντήρηση

Προειδοποίηση! Για να μειώσετε τον κίνδυνο σοβαρού τραυματισμού, απενεργοποιήστε το εργαλείο και αφαιρέστε το πακέτο μπαταρίας πριν μεταφέρετε, κάνετε οποιοσδήποτε ρυθμίσεις ή πριν αφαιρέσετε/τοποθετήσετε προσαρτήματα ή παρελκόμενα. Τυχόν αθλήτη εκκίνηση μπορεί να προκαλέσει τραυματισμό.

Προειδοποίηση! Για να μειώσετε τον κίνδυνο σοβαρού τραυματισμού από μύον:

ΜΗΝ αγγίζετε τις αιχμηρές μύτες της λεπίδας με γυμνά δάκτυλα ή χέρια ενώ εκτελείτε οποιαδήποτε συντήρηση. ΜΗ χρησιμοποιείτε λιπαντικά ή καθαριστικά (ειδικά σπρέι ή αεροζόλ) σε γεινιάση με τον πλαστικό προφυλακτήρα. Το πολυκαρβονικό υλικό που χρησιμοποιείται στον προφυλακτήρα επηρεάζεται από ορισμένα χημικά.

- ♦ Όλα τα ρουλεμάν είναι στεγανά. Έχουν λιπανθεί για όλη τη διάρκεια της ζωής τους και δεν χρειάζονται περαιτέρω συντήρηση.
- ♦ Περιοδικά καθαρίζετε όλη τη σκόνη και τα τεμάχια ξύλου από γύρω ΚΑΙ ΚΑΤΩ από τη βάση και το περιστροφικό τραπέζι. Ακόμα και αν διατίθενται εγκοπές για να επιτρέπουν τη διέλευση των υπολειμμάτων, θα συσσωρευτεί κάποια ποσότητα σκόνης.
- ♦ Οι ψήκτρες είναι σχεδιασμένες ώστε να σας παρέχουν αρκετά χρόνια χρήσης. Αν ποτέ χρειαστούν αντικατάσταση, παραδώστε το εργαλείο στο πλησιέστερο κέντρο σέρβις για επισκευή.

| Πρόβλημα | Πιθανή αιτία | ΛΥΣΗ |
|--|---|--|
| Δεν επιτυγχάνονται ακριβείς λοξές κοπές. | Η κλίμακα λοξής κοπής δεν έχει ρυθμιστεί σωστά. | Ελέγξτε και ρυθμίστε. Ανατρέξτε στο τμήμα Ρύθμιση κλίμακας λοξής κοπής στην ενότητα Ρυθμίσεις. |
| | Η λεπίδα δεν είναι γωνιασμένη με τον οδηγό. | Ελέγξτε και ρυθμίστε. Ανατρέξτε στο τμήμα Ρύθμιση κλίμακας λοξής κοπής στην ενότητα Ρυθμίσεις. |
| | Η λεπίδα δεν είναι κάθετη με το τραπέζι. | Ελέγξτε και ρυθμίστε τον οδηγό. Ανατρέξτε στο τμήμα Ρύθμιση καθετότητας λεπίδας ως προς το τραπέζι στην ενότητα Ρυθμίσεις. |
| | Το τεμάχιο εργασίας κινείται | Στερεώστε το τεμάχιο εργασίας σταθερά με σύσφιξη ως προς τον οδηγό ή κολλήστε γυαλόχαρτο νούμερο 120 στον οδηγό χρησιμοποιώντας κόλλα. |
| | Πλάκα εντομής φθαρμένη ή έχει ζημιά. | Παραδώστε το μηχάνημα σε εξουσιοδοτημένο κέντρο σέρβις. |
| Η λεπίδα σφηνώνει στο υλικό. | Κοπή κυρτωμένου υλικού. | Ανατρέξτε στο τμήμα Κυρτωμένο υλικό στην ενότητα Ειδικές κοπές. |

Αντιμέτωπιση προβλημάτων

| Πρόβλημα | Πιθανή αιτία | ΛΥΣΗ |
|--|---|---|
| Το πριόνι δεν τίθεται σε λειτουργία. | Δεν έχει εγκατασταθεί μπαταρία. | Εγκαταστήστε μπαταρία. Ανατρέξτε στην ενότητα Εγκατάσταση και αφαίρεση πακέτου μπαταρίας. |
| | Η μπαταρία δεν είναι φορτισμένη. | Φορτίστε την μπαταρία. Ανατρέξτε στην ενότητα Διαδικασία φόρτισης. |
| | Οι ψήκτρες είναι φθαρμένες | Αναθέστε την αντικατάσταση των ψηκτρών σε εξουσιοδοτημένο κέντρο σέρβις. |
| Το πριόνι πραγματοποιεί μη ικανοποιητικές κοπές. | Μη αιχμηρή λεπίδα. | Αντικαταστήστε τη λεπίδα. Ανατρέξτε στην ενότητα Αλλαγή ή εγκατάσταση νέας λεπίδας πριονιού. |
| | Η λεπίδα έχει τοποθετηθεί ανάποδα. | Γυρίστε τη λεπίδα από την άλλη πλευρά. Ανατρέξτε στην ενότητα Αλλαγή ή εγκατάσταση νέας λεπίδας πριονιού. |
| | Ρετσίνι ή πίσσα στη λεπίδα. | Αφαιρέστε τη λεπίδα και καθαρίστε τη με χονδρό σύρμα τριψίματος και νεφτί ή οικιακό καθαριστικό φούρνου. |
| | Λανθασμένη λεπίδα για την εκτελούμενη εργασία. | Αλλάξτε τύπο λεπίδας. |
| Το φως εργασίας αναβοβλίνει. | Η μπαταρία δεν είναι φορτισμένη. | Φορτίστε την μπαταρία. Ανατρέξτε στην ενότητα Διαδικασία φόρτισης. |
| Το μηχάνημα δονείται υπερβολικά. | Το πριόνι δεν έχει στερεωθεί καλά στη βάση ή στον πάγκο εργασίας. | Σφίξτε όλα τα εξαρτήματα στερέωσης. Ανατρέξτε στην ενότητα Στερέωση σε πάγκο |
| | Η βάση ή ο πάγκος είναι σε ανομοιομορφο δάπεδο. | Τοποθετήστε σε επίπεδη και οριζόντια επιφάνεια. |
| | Ζημιά στη λεπίδα πριονιού. | Αντικαταστήστε τη λεπίδα. Ανατρέξτε στην ενότητα Αλλαγή ή εγκατάσταση νέας λεπίδας πριονιού. |

Προστασία του περιβάλλοντος



Χωριστή συλλογή. Τα προϊόντα και οι μπαταρίες που επισημαίνονται με αυτό το σύμβολο δεν πρέπει να απορρίπτονται μαζί με τα κανονικά οικιακά απορρίμματα.

Τα προϊόντα και οι μπαταρίες περιέχουν υλικά που μπορούν να ανακτηθούν ή να ανακυκλωθούν ώστε να μειωθούν οι ανάγκες για πρώτες ύλες.

Παρακαλούμε να ανακυκλώνετε τα ηλεκτρικά προϊόντα και τις μπαταρίες σύμφωνα με τους τοπικούς κανονισμούς. Περισσότερες πληροφορίες διατίθενται στον ιστότοπο www.2helpU.com

Τεχνικά δεδομένα

| FMCS701 (H1) | | | |
|-----------------------------|------------|----|----------|
| Τάση | V | | 18 |
| Ταχύτητα | /min | | 3.800 |
| Εξωτερική διάμετρος λεπίδας | mm | | 190 |
| Διάμετρος οπής | mm | | 16 |
| Μέγ. εντομή λεπίδας | mm | | 1.8 |
| Βάρος χωρίς μπαταρία | kg | | 10 |
| Blade thickness | mm | | 1.0 |
| Mitre (max. positions) | ° | | 47 |
| Bevel (max. positions) | ° | | 47 |
| 0 deg. mitre | horizontal | mm | 50 x 216 |
| | vertical | mm | 90 x 15 |
| 45 deg. mitre right | horizontal | mm | 50 x 152 |
| | vertical | mm | 90 x 15 |
| 45 deg. mitre left | horizontal | mm | 50 x 152 |
| | vertical | mm | 90 x 15 |

| | | | |
|--------------------|------------|----|----------|
| 45 deg. bevel left | horizontal | mm | 50 x 152 |
| | vertical | mm | 50 x 15 |

| | | | |
|----------------------|-----------------|-----------------|-----------------|
| Φορτιστής | | 905998** typ. 1 | 906086** typ. 1 |
| Τάση εισόδου | V _{AC} | 230 | 230 |
| Τάση εξόδου | V _{DC} | 18 | 18 |
| Ρεύμα εξόδου | A | 1 | 2 |
| Χρόνος φόρτισης περ. | Λεπτά | 90 - 240 | 45 - 120 |

| | | | | |
|--------------|-----------------|---------------|---------------|---------------|
| Μπαταρία | | FMC689L | FMC687L | FMC688L |
| Τάση | V _{DC} | 18 | 18 | 18 |
| Χωρητικότητα | Ah | 1.5 | 2.0 | 4.0 |
| Τύπος | | Ιόντων λιθίου | Ιόντων λιθίου | Ιόντων λιθίου |

| | |
|--|-------------------------------------|
| Στάθμη ηχητικής πίεσης σύμφωνα με το EN 62841: | |
| L _{PA} (ηχητική πίεση) | 83.0 dB(A), αβεβαιότητα (Κ) 3 dB(A) |
| L _{WA} (ηχητική ισχύς) | 94.5 dB(A), αβεβαιότητα (Κ) 3 dB(A) |

Δήλωση συμμόρφωσης EK ΟΔΗΓΙΑ ΠΕΡΙ ΜΗΧΑΝΗΜΑΤΩΝ



FMCS701 Συρόμενο σύνθετο φαλτσοπρίοιο

Η Stanley Europe δηλώνει ότι τα προϊόντα αυτά που περιγράφονται στα "τεχνικά χαρακτηριστικά" συμμορφώνονται με:
EN62841-1:2015, EN62841-3-9:2015+A11:2017

Αυτά τα προϊόντα συμμορφώνονται επίσης με την Οδηγία 2006/42/ΕΚ, 2014/30/ΕΕ και 2011/65/ΕΕ.

Για περισσότερες πληροφορίες, παρακαλείστε να επικοινωνήσετε με την Stanley Fat Max στην παρακάτω διεύθυνση ή να ανατρέξετε στο πίσω μέρος του εγχειριδίου.

Ο κάτωθι υπογεγραμμένος είναι υπεύθυνος για την κατάρτιση του τεχνικού φακέλου και δηλώνει τα παρόντα εκ μέρους της Stanley Fat Max.

Ray Laverick
Διευθυντής Σχεδιασμού
Stanley Fat Max Europe, 210 Bath Road, Slough,
Berkshire, SL1 3YD
United Kingdom
28/06/2018

Εγγύηση

Η Stanley Europe είναι σίγουρη για την ποιότητα των προϊόντων της και προσφέρει στους καταναλωτές εγγύηση 12 μηνών από την ημερομηνία αγοράς. Αυτή η εγγύηση συμπληρώνει και με κανένα τρόπο δεν παραβάλλει τα νόμιμα δικαιώματά σας. Η εγγύηση ισχύει εντός της επικράτειας των χωρών μελών της Ευρωπαϊκής Ένωσης και της Ευρωπαϊκής Ζώνης Ελεύθερων Συναλλαγών.

Για να υποβάλετε αξίωση βάσει της εγγύησης, η αξίωση θα πρέπει να είναι σύμφωνη με τους Όρους και προϋποθέσεις της Stanley Fat Max και θα χρειαστεί να υποβάλετε απόδειξη αγοράς στον πωλητή ή σε εξουσιοδοτημένο αντιπρόσωπο σέρβις. Μπορείτε να αποκτήσετε τους Όρους και ρυθμίσεις της εγγύησης 1 ετών της Stanley Europe και να μάθετε την τοποθεσία του πλησιέστερου εξουσιοδοτημένου αντιπροσώπου επισκευών στο Internet στο www.2helpU.com, ή επικοινωνώντας με το τοπικό σας γραφείο Stanley Europe στη διεύθυνση που υποδεικνύεται στο παρόν εγχειρίδιο.

Παρακαλούμε επισκεφθείτε την ιστοσελίδα μας www.stanley.eu/3 για να καταχωρίσετε το νέο σας προϊόν Stanley Fat Max και για να ενημερώσετε για τα νέα προϊόντα και τις ειδικές προσφορές.

| | | |
|---------------------------------|---|--|
| België/Belgique | Stanley Fat Max E. Walschaertstraat 14-16 2800 Mechelen Belgium | De. Tel. +32 70 220 065 Fr. Tel. +32 70 220 066 Fax +32 15 473 799 www.stanleytools.eu Enduser.be@SBDinc.com |
| Danmark | Stanley Fat Max Farveland 1B 2600 Glostrup | Tel. 70 20 15 10 Fax 70 22 49 10 www.stanleyworks.dk |
| Deutschland | Stanley Fat Max Richard Klinger Str. 11, D - 65510 Idstein | Tel. 06126 21-1 Fax 06126 21-2770 |
| Ελλάδα | Stanley Fat Max. Στράβωνος 7 & Λεωφ. Βουλιαγμένης 159 Γλυφάδα 166 74 - Αθήνα | Τηλ. +30 210 8981-616 Φαξ +30 210 8983-285 www.stanleyworks.gr |
| España | Stanley Fat Max. Parc de Negocis "Mas Blau" Edificio Muntadas, c/Bergadá, 1, Of. A6 08820 El Prat de Llobregat (Barcelona) | Tel. 934 797 400 Fax 934 797 419 respuesta.postventa@sbdinc.com www.stanleyworks.es |
| France | Stanley Fat Max 5 allée des Hêtres B.P. 30084 69579 Limonest Cédex | Tel. 04 72 20 39 20 Fax 04 72 20 39 00 www.stanleyouillage.fr |
| Helvetia | Stanley Fat Max In der Luberzen 40 8902 Urdorf | Tel. 01 730 67 47 Fax 01 730 70 67 www.stanleyworks.de |
| Italia | Stanley Fat Max EnergyPark-Building 03 sud, Via Monza 7/A 20871 Vimercate (MB) | Tel. 039-9590200 Fax 039-9590313 www.stanley.it |
| Nederland | Stanley Fat Max Joulehof 12, 4600 RG Bergen op Zoom | Tel. +31 164 283 065 Fax +31 164 283 200 Enduser.NL@SBDinc.com |
| Norge | Stanley Fat Max Postboks 4613, Nydalen 0405 Oslo | Tlf. 45 25 13 00 Fax 45 25 08 00 |
| Österreich | Stanley Fat Max Oberlaaerstraße 248, A-1230 Wien | Tel. 01 66116-0 Fax 01 66116-614 www.stanleyworks.de |
| Portugal | Stanley Fat Max Centro de Escritórios de Sintra Avenida Almirante Gago Coutinho, 132/134, Edifício 142710-418 Sintra 2710-418 Lisboa | Tel. 214667500 Fax 214667575 resposta.posvenda@sbdinc.com |
| Suomi | Stanley Fat Max Tekniikantie 12, 02150 Espoo | Puh. 010 400 430 Faksi 0800 411 340 www.stanleyworks.fi |
| Sverige | Stanley Fat Max Box 94, 431 22 Mölndal | Tel. 031-68 61 00 Fax 031-68 60 08 |
| Türkiye | Stanley Fat Max KALE Hırdavat ve Makina A.Ş. Defterdar Mah. Savaklar Cad. No:15 Edirnekapı / Eyüp / İSTANBUL 34050 | Puh. 0212 533 52 55 Faks 0212 533 10 05 www.stanleyworks.fi |
| United Kingdom | Stanley Fat Max 210 Bath Road Slough, Berkshire SL1 3YD | Tel. +44 (0)1753 511234 Fax +44 (0)1753 551155 www.stanleytools.co.uk |
| Middle East & Africa | Stanley Fat Max P.O.Box - 17164 Jebel Ali (South Zone), Dubai, UAE | Tel. +971 4 8127400 Fax +971 4 8127036 www.stanleyworks.ae |