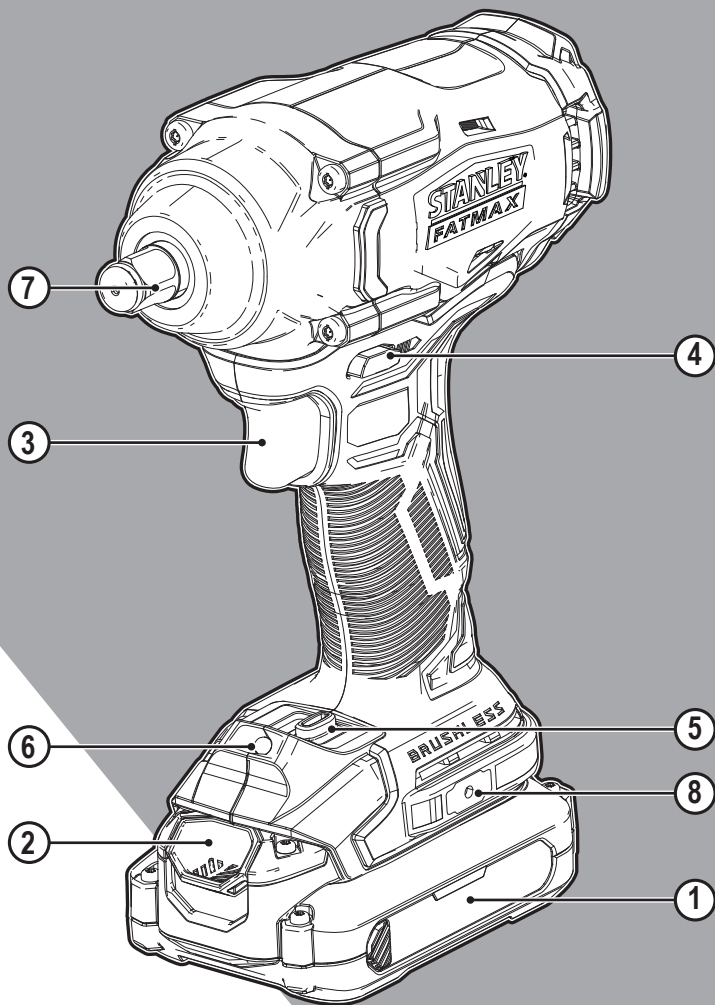
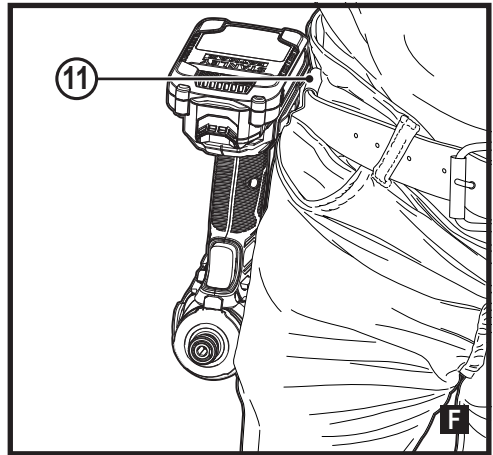
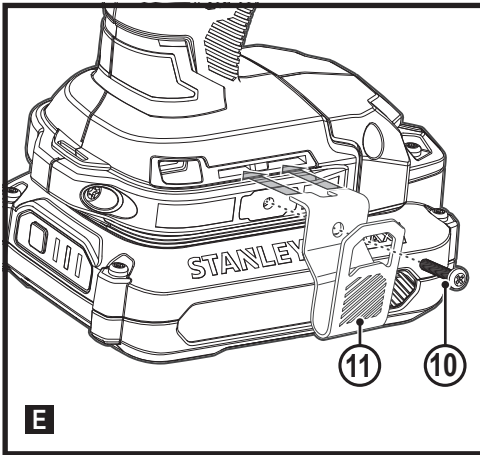
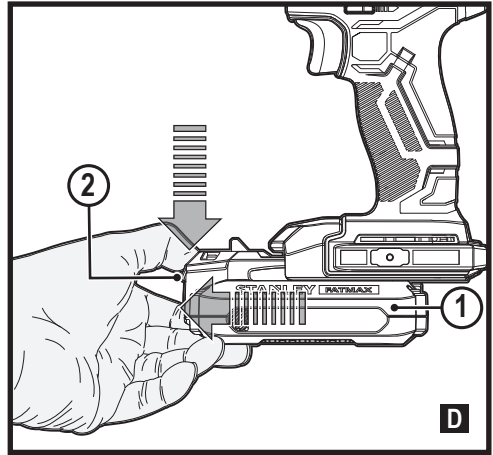
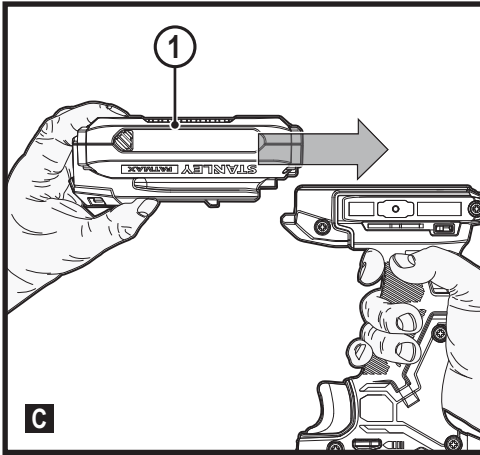
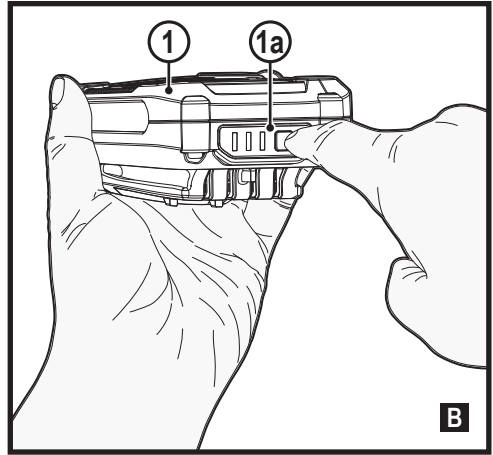
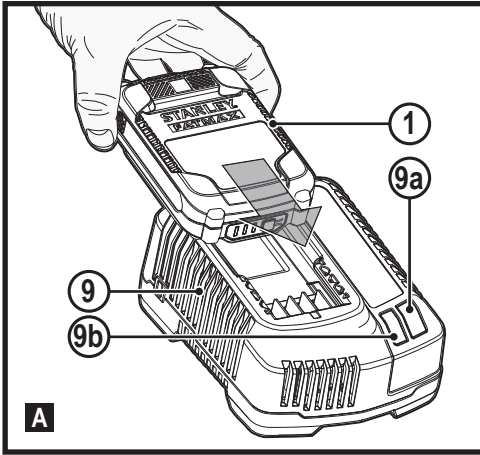


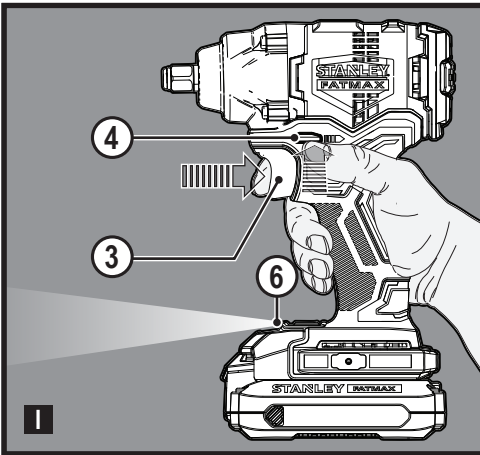
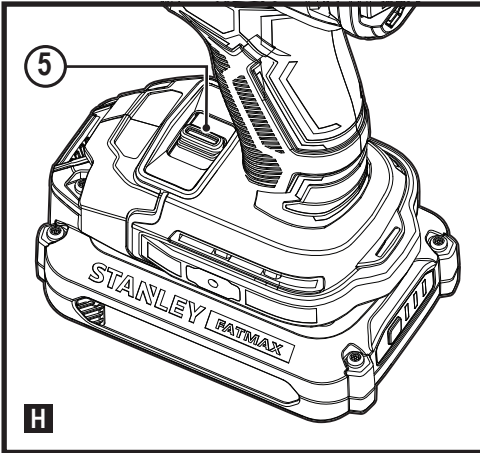
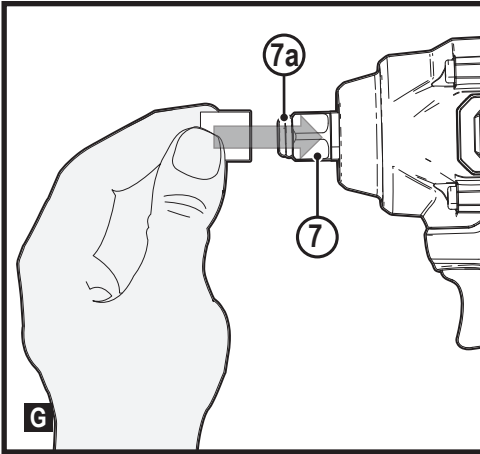
# STANLEY®

# FATMAX®









**Intended use**

Your Stanley Fat Max SFMCF920 impact wrench has been designed for impact fastening applications. This appliance is intended for professional and private, non professional users.

**General power tool safety warnings**



**Warning! Read all safety warnings, instructions, illustrations and specifications provided with this power tool.** Failure to follow the warnings and instructions listed below may result in electric shock, fire and/or serious injury..

**Save all warnings and instructions for future reference.**

The term "power tool" in all of the warnings listed below refers to your mains operated (corded) power tool or battery operated (cordless) power tool.

1. **Work area safety**
  - a. **Keep work area clean and well lit.** Cluttered or dark areas invite accidents.
  - b. **Do not operate power tools in explosive atmospheres, such as in the presence of flammable liquids, gases or dust.** Power tools create sparks which may ignite the dust or fumes.
  - c. **Keep children and bystanders away while operating a power tool.** Distractions can cause you to lose control.
2. **Electrical safety**
  - a. **Power tool plugs must match the outlet. Never modify the plug in any way.**  
Do not use any adapter plugs with earthed (grounded) power tools. Unmodified plugs and matching outlets will reduce risk of electric shock.
  - b. **Avoid body contact with earthed or grounded surfaces such as pipes, radiators, ranges and refrigerators.** There is an increased risk of electric shock if your body is earthed or grounded.
  - c. **Do not expose power tools to rain or wet conditions.** Water entering a power tool will increase the risk of electric shock.
  - d. **Do not abuse the cord. Never use the cord for carrying, pulling or unplugging the power tool. Keep cord away from heat, oil, sharp edges or moving parts.** Damaged or entangled cords increase the risk of electric shock.
  - e. **When operating a power tool outdoors, use an extension cord suitable for outdoor use.** Use of a cord suitable for outdoor use reduces the risk of electric shock.
  - f. **If operating a power tool in a damp location is unavoidable, use a residual current device (RCD) protected supply.** Use of an RCD reduces the risk of electric shock.

### 3. Personal safety

- a. **Stay alert, watch what you are doing and use common sense when operating a power tool.**

Do not use a power tool while you are tired or under the influence of drugs, alcohol or medication. A moment of inattention while operating power tools may result in serious personal injury.

- b. **Use personal protective equipment. Always wear eye protection.** Protective equipment such as a dust mask, non-skid safety shoes, hard hat, or hearing protection used for appropriate conditions will reduce personal injuries.
- c. **Prevent unintentional starting. Ensure the switch is in the off-position before connecting to power source and/or battery pack, picking up or carrying the tool.** Carrying power tools with your finger on the switch or energising power tools that have the switch on invites accidents.
- d. **Remove any adjusting key or wrench before turning the power tool on.** A wrench or a key left attached to a rotating part of the power tool may result in personal injury.
- e. **Do not overreach. Keep proper footing and balance at all times.** This enables better control of the power tool in unexpected situations.
- f. **Dress properly. Do not wear loose clothing or jewellery. Keep your hair, clothing and gloves away from moving parts.** Loose clothes, jewellery or long hair can be caught in moving parts.
- g. **If devices are provided for the connection of dust extraction and collection facilities, ensure these are connected and properly used.** Use of dust collection can reduce dust-related hazards.
- h. **Do not let familiarity gained from frequent use of tools allow you to become complacent and ignore tool safety principles.** A careless action can cause severe injury within a fraction of a second.

### 4. Power tool use and care

- a. **Do not force the power tool. Use the correct power tool for your application.**  
The correct power tool will do the job better and safer at the rate for which it was designed.
- b. **Do not use the power tool if the switch does not turn it on and off.** Any power tool that cannot be controlled with the switch is dangerous and must be repaired.
- c. **Disconnect the plug from the power source and/or the battery pack from the power tool before making any adjustments, changing accessories, or storing power tools.** Such preventive safety measures reduce the risk of starting the power tool accidentally.
- d. **Store idle power tools out of the reach of children and do not allow persons unfamiliar with the power tool or these instructions to operate the power tool.**

Power tools are dangerous in the hands of untrained users.

- e. **Maintain power tools and accessories. Check for misalignment or binding of moving parts, breakage of parts and any other condition that may affect the power tools operation. If damaged, have the power tool repaired before use.** Many accidents are caused by poorly maintained power tools.
- f. **Keep cutting tools sharp and clean.** Properly maintained cutting tools with sharp cutting edges are less likely to bind and are easier to control.
- g. **Use the power tool, accessories and tool bits etc. in accordance with these instructions, taking into account the working conditions and the work to be performed.**  
Use of the power tool for operations different from those intended could result in a hazardous situation.
- h. **Keep handles and grasping surfaces dry, clean and free from oil and grease.** Slippery handles and grasping surfaces do not allow for safe handling and control of the tool in unexpected situations.

### 5. Battery tool use and care

- a. **Recharge only with the charger specified by the manufacturer.**  
A charger that is suitable for one type of battery pack may create a risk of fire when used with another battery pack.
- b. **Use power tools only with specifically designated battery packs.** Use of any other battery packs may create a risk of injury and fire.
- c. **When battery pack is not in use, keep it away from other metal objects, like paper clips, coins, keys, nails, screws, or other small metal objects, that can make a connection from one terminal to another.** Shorting the battery terminals together may cause burns or a fire.
- d. **Under abusive conditions, liquid may be ejected from the battery; avoid contact. If contact accidentally occurs, flush with water. If liquid contacts eyes, additionally seek medical help.** Liquid ejected from the battery may cause irritation or burns.
- e. **Do not use a battery pack or tool that is damaged or modified.** Damaged or modified batteries may exhibit unpredictable behaviour resulting in fire, explosion or risk of injury.
- f. **Do not expose a battery pack or tool to fire or excessive temperature.** Exposure to fire or temperature above 130 °C may cause explosion.
- g. **Follow all charging instructions and do not charge the battery pack or tool outside the temperature range specified in the instructions.** Charging improperly or at temperatures outside the specified range may damage the battery and increase the risk of fire.

## 6. Service

- a. **Have your power tool serviced by a qualified repair person using only identical replacement parts.**  
This will ensure that the safety of the power tool is maintained.
- b. **Never service damaged battery packs.** Service of battery packs should only be performed by the manufacturer or authorized service providers.

## Additional power tool safety warnings



**Warning!** Additional safety warnings for wrenches and impact wrenches.

- ◆ **Hold the power tool by insulated gripping surfaces, when performing an operation where the fastener may contact hidden wiring.** Fasteners contacting a "live" wire may make exposed metal parts of the power tool "live" and could give the operator an electric shock.
- ◆ **The intended use is described in this instruction manual.** The use of any accessory or attachment or performance of any operation with this tool other than those recommended in this instruction manual may present a risk of personal injury and/or damage to property.

## Safety of others

- ◆ This tool is not intended for use by persons (including children) with reduced physical, sensory or mental capabilities, or lack of experience and knowledge, unless they have been given supervision or instruction concerning use of the appliance by a person responsible for their safety.
- ◆ Children should be supervised to ensure that they do not play with the appliance.

## Residual risks

Additional residual risks may arise when using the tool which may not be included in the enclosed safety warnings. These risks can arise from misuse, prolonged use etc. Even with the application of the relevant safety regulations and the implementation of safety devices, certain residual risks can not be avoided. These include:

- ◆ Injuries caused by touching any rotating/moving parts.
- ◆ Injuries caused when changing any parts, blades or accessories.
- ◆ Injuries caused by prolonged use of a tool. When using any tool for prolonged periods ensure you take regular breaks.
- ◆ Impairment of hearing.
- ◆ Health hazards caused by breathing dust developed when using your tool (example:- working with wood, especially oak, beech and MDF.)

## Vibration

The declared vibration emission values stated in the technical data and the declaration of conformity have been measured in accordance with a standard test method provided by EN62841 and may be used for comparing one tool with another.

The declared vibration emission value may also be used in a preliminary assessment of exposure.

**Warning!** The vibration emission value during actual use of the power tool can differ from the declared value depending on the ways in which the tool is used. The vibration level may increase above the level stated.

When assessing vibration exposure to determine safety measures required by 2002/44/EC to protect persons regularly using power tools in employment, an estimation of vibration exposure should consider, the actual conditions of use and the way the tool is used, including taking account of all parts of the operating cycle such as the times when the tool is switched off and when it is running idle in addition to the trigger time.

## Labels on tool

The following symbols are shown on the tool along with the date code:



**Warning!** To reduce the risk of injury, the user must read the instruction manual.



Do not stare at operating lamp

## Additional safety instructions for batteries and chargers (Not provided with the tool)

### Batteries

- ◆ Never attempt to open for any reason.
- ◆ Do not expose the battery to water.
- ◆ Do not store in locations where the temperature may exceed 40 °C.
- ◆ Charge only at ambient temperatures between 10 °C and 40 °C.
- ◆ Charge only using the charger provided with the tool.
- ◆ When disposing of batteries, follow the instructions given in the section "Protecting the environment".



Do not attempt to charge damaged batteries.

### Chargers

- ◆ Use your Stanley Fat Max charger only to charge the battery in the tool with which it was supplied. Other batteries could burst, causing personal injury and damage.

Never attempt to charge non-rechargeable batteries.

- ◆ Have defective cords replaced immediately.
- ◆ Do not expose the charger to water.
- ◆ Do not open the charger.
- ◆ Do not probe the charger.



The charger is intended for indoor use only.



Read the instruction manual before use.

### Electrical safety



Your charger is double insulated; therefore no earth wire is required. Always check that the mains voltage corresponds to the voltage on the rating plate. Never attempt to replace the charger unit with a regular mains plug.

- ◆ If the supply cord is damaged, it must be replaced by the manufacturer or an authorised Stanley Fat Max Service Centre in order to avoid a hazard.

### Features

This appliance includes some or all of the following features.

1. Battery pack
2. Battery release button
3. Variable speed trigger
4. Forward/reverse control button
5. Speed selector
6. Worklight
7. Anvil
8. Accessory attachment location

### Assembly

**Warning!** Before assembly, remove the battery from the tool.

### Charging the battery (Fig. A)

The battery needs to be charged before first use and whenever it fails to produce sufficient power on jobs that were easily done before.

The battery may become warm while charging; this is normal and does not indicate a problem.




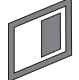


**Warning!** Do not charge the battery at ambient temperatures below 10 °C or above 40 °C. Recommended charging temperature: approx. 24 °C.

**Note:** The charger will not charge a battery if the cell temperature is below approximately 10 °C or above 40 °C. The battery should be left in the charger and the charger will begin to charge automatically when the cell temperature warms up or cools down.

**Note:** To ensure maximum performance and life of lithium-ion battery packs, charge the battery pack fully before first use.

- ◆ Plug the charger (9) into an appropriate outlet before inserting battery pack (1).
- ◆ The green charging light (9a) will blink continuously indicating that the charging process has started.
- ◆ The completion of charge will be indicated by the green charging light (9a) remaining ON continuously. The battery pack (1) is fully charged and may be removed and used at this time or left in the charger (9).
- ◆ Charge discharged batteries within 1 week. Battery life will be greatly diminished if stored in a discharged state.

### Charger LED Modes

	<b>Charging:</b> Green LED Intermittent	
	<b>Fully Charged:</b> Green LED Solid	
	<b>Hot/Cold Pack Delay:</b> Green LED Intermittent Red LED Solid	

**Note:** The compatible charger(s) will not charge a faulty battery pack. The charger will indicate a faulty battery pack by refusing to light.

**Note:** This could also mean a problem with a charger. If the charger indicates a problem, take the charger and battery pack to be tested at an authorized service centre.

### Leaving the battery in the charger

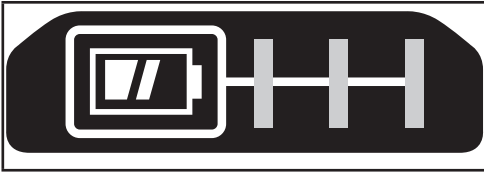
The charger and battery pack can be left connected with the LED glowing indefinitely. The charger will keep the battery pack fresh and fully charged.

### Hot/Cold Pack Delay

When the charger detects a battery that is too hot or too cold, it automatically starts a Hot/Cold Pack Delay, the green LED (9a) will flash intermittently, while the red LED (9b) will remain on continuously, suspending charging until the battery has reached an appropriate temperature. The charger then automatically switches to the pack charging mode. This feature ensures maximum battery life.

### Battery state of charge indicator (Fig. B)

The battery includes a state of charge indicator to quickly determine the extent of battery life as shown in figure B. By pressing the state of charge button (1a) you can easily view the charge remaining in the battery as illustrated in figure B.



### Installing and Removing the Battery Pack from the tool

**Warning!** Make certain the lock-off button is engaged to prevent switch actuation before removing or installing battery.

#### To install battery pack (Fig. C)

- ◆ Insert battery pack firmly into tool until an audible click is heard as shown in figure C. Ensure battery pack is fully seated and fully latched into position.

#### To remove battery pack (Fig. D)

- ◆ Depress the battery release button (2) as shown in figure D and pull battery pack out of tool.

### Belt hook (Optional extra) (Fig. E, F)

**Warning!** To reduce the risk of serious personal injury, place the forward/reverse button in the lock-off position or turn tool off and disconnect battery pack before making any adjustments or removing/installing attachments or accessories.

An accidental start-up can cause injury.

**Warning!** To reduce the risk of serious personal injury, ONLY use the tool's belt hook (11) to hang the tool from a work belt. DO NOT use the belt hook (11) for tethering or securing the tool to a person or object during use. DO NOT suspend tool overhead or suspend objects from the belt hook.

**Warning!** To reduce the risk of serious personal injury, ensure the screw (10) holding the belt hook is secure.

**Note:** When attaching or replacing the belt hook (11), use only the screw (10) that is provided. Be sure to securely tighten the screw.

The belt hook (11) can be attached to either side of the tool using only the screw (10) provided, to accommodate left- or right-handed users. If the hook is not desired at all, it can be removed from the tool.

To move the belt hook, remove the screw (10) that holds the belt hook (11) in place then reassemble on the opposite side. Be sure to securely tighten the screw (10).

**Note:** Various trackwall hooks and storage configurations are available.

Please visit our website [www.stanley.eu/3](http://www.stanley.eu/3) for further information.

### Anvil (fig. G)

**Warning!** Use only impact accessories.

Non-impact accessories may break and cause a hazardous condition. Inspect accessories prior to use to ensure that it contains no cracks.

**Warning!** Inspect anvils and hog rings prior to use. Missing or damaged items should be replaced before use.

- ◆ Lock the tool by setting the forward/reverse slider (4) to the centre position.
- ◆ To install an accessory on the hog ring anvil, firmly push accessory onto the anvil (7). The hog ring (7a) compresses to allow the accessory to slide on. After accessory is installed, the hog ring applies pressure to help provide accessory retention.
- ◆ To remove an accessory, grasp the accessory and firmly pull it off.

### Mode Selector (fig. H)

Your tool is equipped with a mode selector (5) which allows you to select one of two modes. Select the mode based on the application and control the speed of the tool using the variable speed trigger switch (3).

### Use

**Warning!** Let the tool work at its own pace. Do not overload.

### Selecting the direction of rotation (fig. I)

For tightening, use forward (clockwise) rotation. For loosening, use reverse (counterclockwise) rotation.

- ◆ To select forward rotation, push the forward/reverse slider (4) to the left.
- ◆ To select reverse rotation, push the forward/reverse slider to the right.
- ◆ To lock the tool, set the forward/reverse slider into the centre position.

### Usage

- ◆ Place the accessory on the fastener head. Keep the tool pointed straight at the fastener.
- ◆ Press variable speed trigger switch (3) to start operation. Release variable speed trigger switch to stop operation. Always check torque with a torque wrench, as the fastening torque is affected by many factors including the following:
  - ◆ **Voltage:** Low voltage, due to a nearly discharged battery, will reduce fastening torque.
  - ◆ **Accessory size:** Failure to use the correct accessory size will cause a reduction in fastening torque.
  - ◆ **Bolt size:** Larger bolt diameters generally require higher fastening torque. Fastening torque will also vary according to length, grade, and torque coefficient.
  - ◆ **Bolt:** Ensure that all threads are free of rust and other debris to allow proper fastening torque.
  - ◆ **Material:** The type of material and surface finish of the material will affect fastening torque.



- ◆ Fastening time: Longer fastening time results in increased fastening torque. Using a longer fastening time than recommended could cause the fasteners to be overstressed, stripped or damaged.

### LED work lights

The worklight (6) is activated when the trigger switch is depressed, and will automatically turn off 20 seconds after the trigger switch is released. If the trigger switch remains depressed, the worklight will remain on.

**Note:** The worklights are for lighting the immediate work surface and are not intended to be used as a flashlight.

### Maintenance

Your Stanley Fat Max tool has been designed to operate over a long period of time with a minimum of maintenance. Continuous satisfactory operation depends upon proper tool care and regular cleaning.

Your charger does not require any maintenance apart from regular cleaning.

**Warning!** Before performing any maintenance on the tool, remove the battery from the tool. Unplug the charger before cleaning it.

- ◆ Regularly clean the ventilation slots in your tool and charger using a soft brush or dry cloth.
- ◆ Regularly clean the motor housing using a damp cloth. Do not use any abrasive or solvent-based cleaner.
- ◆ Regularly open the chuck and tap it to remove any dust from the interior.

### Protecting the environment



Separate collection. Products and batteries marked with this symbol must not be disposed of with normal household waste.

Products and batteries contain materials that can be recovered or recycled reducing the demand for raw materials. Please recycle electrical products and batteries according to local provisions. Further information is available at [www.2helpU.com](http://www.2helpU.com)

### Technical data

		SFMC920
Voltage	$V_{DC}$	18V
No-load speed	$\text{Min}^{-1}$	0 - 900 / 1900
Beats	BPM	0-3100
Max. torque (PTI Method)	Nm	370
Anvil Size	inches	1/2" (13mm)
Weight	kg	1.6

Charger		SFMCB11	SFMCB12	SFMCB14
Input Voltage	$V_{AC}$	230	230	230
Output Voltage	$V_{DC}$	18	18	18
Current	A	1.25	2	4

Battery		SFMCB201	SFMCB202	SFMCB204	SFMCB206
Voltage	$V_{DC}$	18	18	18	18
Capacity	Ah	1.5	2.0	4.0	6.0
Type		Li-Ion	Li-Ion	Li-Ion	Li-Ion

#### Level of sound pressure according to EN 62841:

Sound pressure ( $L_{pA}$ ) 95 dB(A), uncertainty (K) 3 dB(A)

Sound power ( $L_{WA}$ ) 106 dB(A), uncertainty (K) 3 dB(A)

#### Vibration total values (triax vector sum) according to EN 62841:

Drilling into metal ( $a_{h,D}$ ) 11.4  $\text{m/s}^2$ , uncertainty (K) 1.5  $\text{m/s}^2$

**EC declaration of conformity**

MACHINERY DIRECTIVE



Cordless Impact Wrench - SFMCF920

STANLEY FATMAX declares that these products described under EN62841-1:2015, EN62841-2-2: 2014.

These products also comply with Directive 2006/42/EC, 2014/30/EU and 2011/65/EU. For more information, please contact STANLEY FATMAX at the following address or refer to the back of the manual.

For more information, please contact STANLEY FATMAX at the following address or refer to the back of the manual.

The undersigned is responsible for compilation of the technical file and makes this declaration on behalf of STANLEY FATMAX.

A handwritten signature in black ink that reads 'Patrick Diepenbach'. The signature is written in a cursive style with a large, prominent 'P' at the beginning.

Patrick Diepenbach  
General Manager, Benelux  
STANLEY FATMAX,  
Egide Walschaertsstraat 14-18  
2800 Mechelen, Belgium  
19/04/2021



**ENGLISH**

(Original instructions)

Australia & New Zealand  
Stanley Black & Decker  
[www.stanleytools.com.au](http://www.stanleytools.com.au)  
[www.stanleytools.co.nz](http://www.stanleytools.co.nz)  
Tel. 1800 338 002 (Aust) or Tel. 0800 339 258 (NZ)  
810 Whitehorse Road Box Hill VIC 3128, Australia