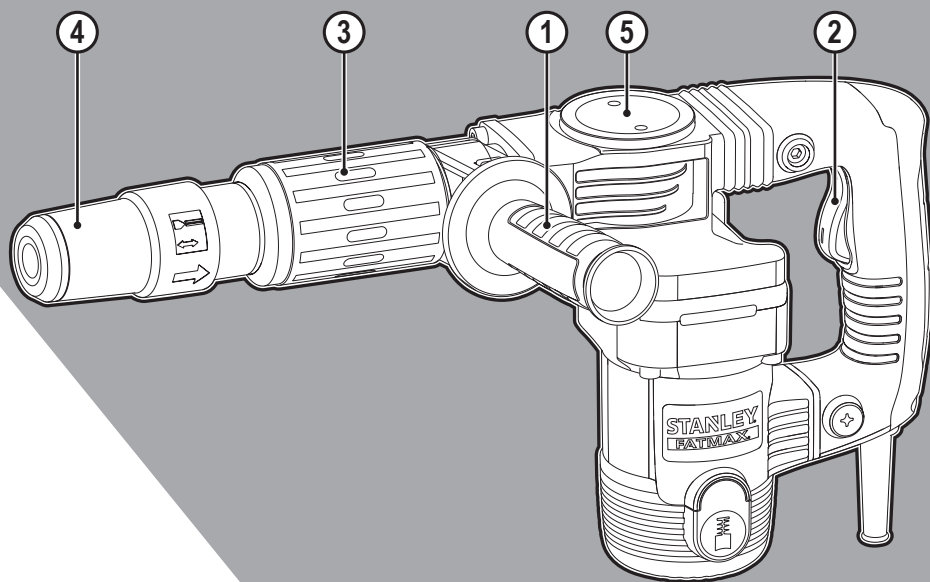


STANLEY®

FATMAX®



www.stanley.eu

SFMEH220

EN

DE

FR

IT

NL

ES

PT

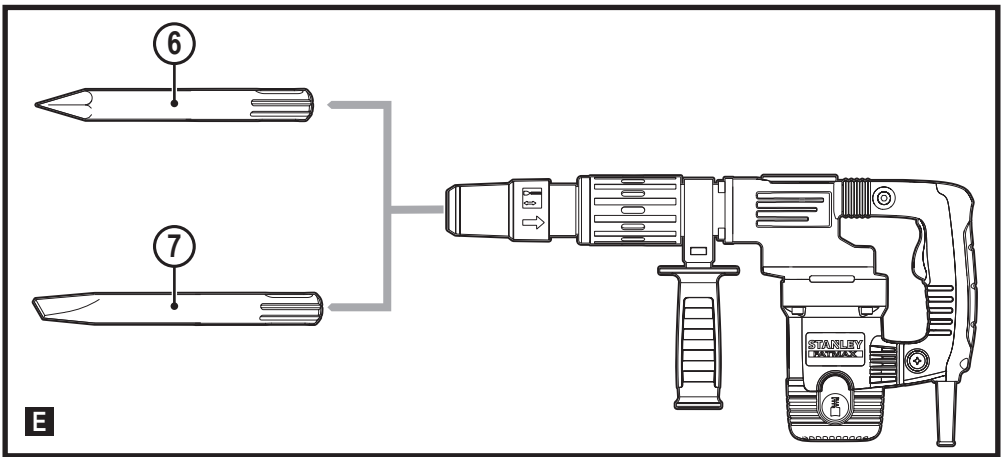
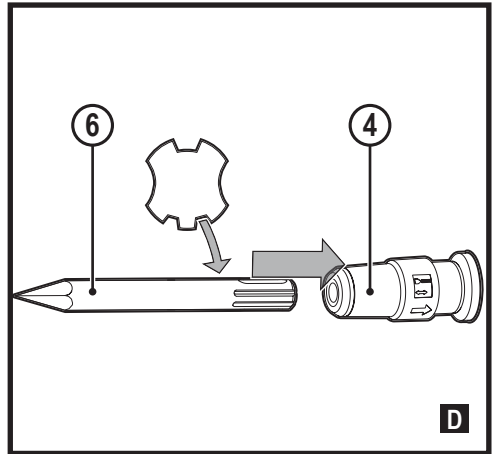
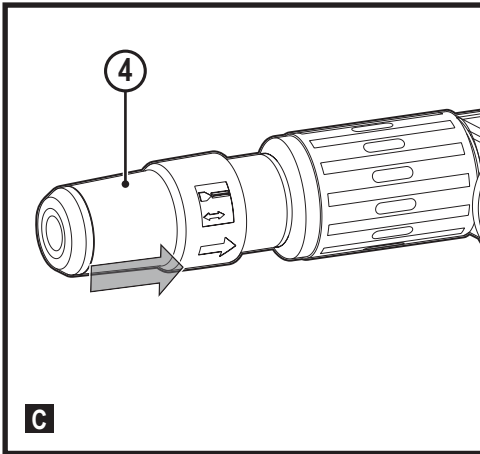
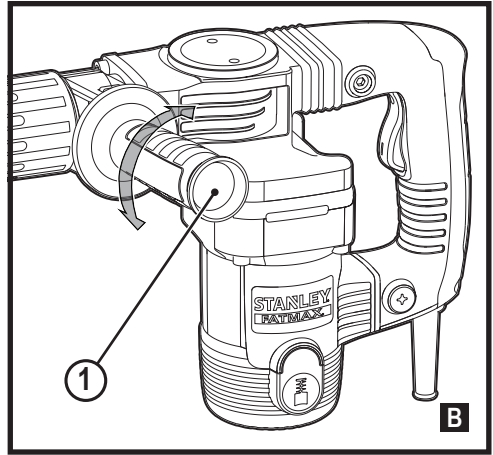
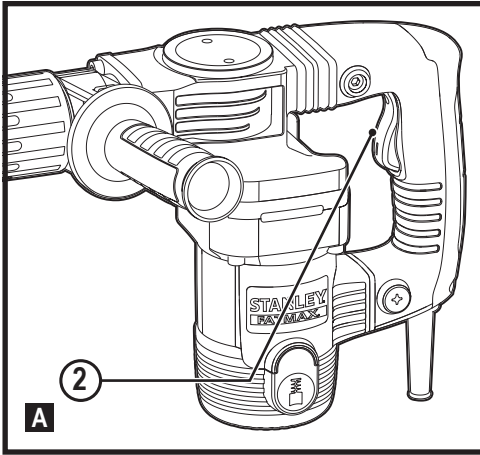
SV

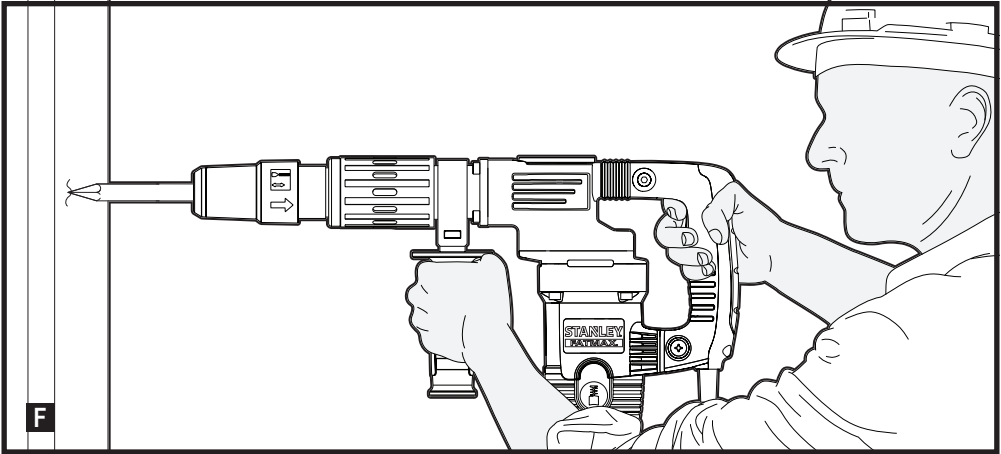
NO

DK

FI

EL





Intended use

STANLEY® FATMAX® SFMEH220 Demolition hammer has been designed for light or medium chipping, chiselling and demolition applications in concrete, brick and masonry. This tool is intended for professional and private, non professional use.

Safety instructions

General power tool safety warnings



Warning! Read all safety warnings and all instructions. Failure to follow the warnings and instructions listed below may result in electric shock, fire and/or serious injury.

Save all warnings and instructions for future reference.

The term "power tool" in all of the warnings listed below refers to your mains operated (corded) power tool or battery operated (cordless) power tool.

1. Work area safety

- a. **Keep work area clean and well lit.** Cluttered or dark areas invite accidents.
- b. **Do not operate power tools in explosive atmospheres, such as in the presence of flammable liquids, gases or dust.** Power tools create sparks which may ignite the dust or fumes.
- c. **Keep children and bystanders away while operating a power tool.** Distractions can cause you to lose control.

2. Electrical safety

- a. **Power tool plugs must match the outlet. Never modify the plug in any way. Do not use any adapter plugs with earthed (grounded) power tools.**

Unmodified plugs and matching outlets will reduce risk of electric shock.

- b. **Avoid body contact with earthed or grounded surfaces such as pipes, radiators, ranges and refrigerators.** There is an increased risk of electric shock if your body is earthed or grounded.
 - c. **Do not expose power tools to rain or wet conditions.** Water entering a power tool will increase the risk of electric shock.
 - d. **Do not abuse the cord. Never use the cord for carrying, pulling or unplugging the power tool. Keep cord away from heat, oil, sharp edges or moving parts.** Damaged or entangled cords increase the risk of electric shock.
 - e. **When operating a power tool outdoors, use an extension cord suitable for outdoor use.** Use of a cord suitable for outdoor use reduces the risk of electric shock.
 - f. **If operating a power tool in a damp location is unavoidable, use a residual current device (RCD) protected supply.** Use of an RCD reduces the risk of electric shock.
- #### 3. Personal safety
- a. **Stay alert, watch what you are doing and use common sense when operating a power tool. Do not use a power tool while you are tired or under the influence of drugs, alcohol or medication.** A moment of inattention while operating power tools may result in serious personal injury.
 - b. **Use personal protective equipment. Always wear eye protection.** Protective equipment such as dust mask, non-skid safety shoes, hard hat, or hearing protection used for appropriate conditions will reduce personal injuries.

- c. **Prevent unintentional starting.** Ensure the switch is in the off-position before connecting to power source and/or battery pack, picking up or carrying the tool. Carrying power tools with your finger on the switch or energising power tools that have the switch on invites accidents.
 - d. **Remove any adjusting key or wrench before turning the power tool on.** A wrench or a key left attached to a rotating part of the power tool may result in personal injury.
 - e. **Do not overreach. Keep proper footing and balance at all times.** This enables better control of the power tool in unexpected situations.
 - f. **Dress properly. Do not wear loose clothing or jewellery. Keep your hair, clothing and gloves away from moving parts.** Loose clothes, jewellery or long hair can be caught in moving parts.
 - g. **If devices are provided for the connection of dust extraction and collection facilities, ensure these are connected and properly used.** Use of dust collection can reduce dust-related hazards.
4. **Power tool use and care**
 - a. **Do not force the power tool. Use the correct power tool for your application.** The correct power tool will do the job better and safer at the rate for which it was designed.
 - b. **Do not use the power tool if the switch does not turn it on and off.** Any power tool that cannot be controlled with the switch is dangerous and must be repaired.
 - c. **Disconnect the plug from the power source and/or the battery pack from the power tool before making any adjustments, changing accessories, or storing power tools.** Such preventive safety measures reduce the risk of starting the power tool accidentally.
 - d. **Store idle power tools out of the reach of children and do not allow persons unfamiliar with the power tool or these instructions to operate the power tool.** Power tools are dangerous in the hands of untrained users.
 - e. **Maintain power tools. Check for misalignment or binding of moving parts, breakage of parts and any other condition that may affect the power tools operation. If damaged, have the power tool repaired before use.** Many accidents are caused by poorly maintained power tools.
 - f. **Keep cutting tools sharp and clean.** Properly maintained cutting tools with sharp cutting edges are less likely to bind and are easier to control.
 - g. **Use the power tool, accessories and tool bits etc. in accordance with these instructions, taking into account the working conditions and the work to be performed.** Use of the power tool for operations different from those intended could result in a hazardous situation.

5. **Service**
 - a. **Have your power tool serviced by a qualified repair person using only identical replacement parts.** This will ensure that the safety of the power tool is maintained.

Additional power tool safety warnings



Warning! Additional safety warnings for demolition hammers.

- ◆ **Wear ear protectors.** Exposure to noise can cause hearing loss.
- ◆ **Use auxiliary handles supplied with the tool.** Loss of control can cause personal injury.
- ◆ **Hold power tool by insulated gripping surfaces when performing an operation where the cutting accessory may contact hidden wiring or its own cord.** Cutting accessory contacting a "live" wire may make exposed metal parts of the power tool "live" and could give the operator an electric shock
- ◆ **Be certain that the material being drilled does not conceal electric or gas service and that their locations have been verified with the utility companies.**
- ◆ **Keep a firm grip on the tool at all times. Do not attempt to operate this tool without holding it with both hands. Operating this tool with one hand will result in loss of control.** Breaking through or encountering hard materials such as re-bar may be hazardous as well. Tighten the side handle securely before use.
- ◆ **Ensure the chisel is secured in place before operating the tool.**
- ◆ **In cold-weather conditions or when the tool has not been used for a longer period of time, let the tool run with no load for several minutes before use.**
- ◆ **When working above ground level ensure the area below is clear.**
- ◆ **Do not touch the chisel or the parts close to the chisel immediately after operation, as they may be extremely hot and cause burns to the skin.**
- ◆ **Always direct the power cable to the rear, away from the chisel.**
- ◆ **Do not operate this tool for long periods of time. Vibration caused by hammer action may be harmful to your hands and arms.** Use gloves to provide extra cushion and limit exposure by taking frequent rest periods.

Safety of others

- ◆ This appliance is not intended for use by persons (including children) with reduced physical, sensory or mental capabilities, or lack of experience and knowledge, unless they have been given supervision or instruction concerning use of the appliance by a person responsible for their safety.

- ◆ Children should be supervised to ensure that they do not play with the appliance.

Residual risks.

Additional residual risks may arise when using the tool which may not be included in the enclosed safety warnings. These risks can arise from misuse, prolonged use etc.

Even with the application of the relevant safety regulations and the implementation of safety devices, certain residual risks can not be avoided. These include:

- ◆ Injuries caused by touching any rotating/moving parts.
- ◆ Injuries caused when changing any parts, blades or accessories.
- ◆ Injuries caused by prolonged use of a tool. When using any tool for prolonged periods ensure you take regular breaks.
- ◆ Impairment of hearing.
- ◆ Health hazards caused by breathing dust developed when using your tool (example:- working with wood, especially oak, beech and MDF.)

Vibration

The declared vibration emission values stated in the technical data and the declaration of conformity have been measured in accordance with a standard test method provided by EN 60745 and may be used for comparing one tool with another. The declared vibration emission value may also be used in a preliminary assessment of exposure.

Warning! The vibration emission value during actual use of the power tool can differ from the declared value depending on the ways in which the tool is used. The vibration level may increase above the level stated.

When assessing vibration exposure to determine safety measures required by 2002/44/EC to protect persons regularly using power tools in employment, an estimation of vibration exposure should consider, the actual conditions of use and the way the tool is used, including taking account of all parts of the operating cycle such as the times when the tool is switched off and when it is running idle in addition to the trigger time.

Labels on tool

The following pictograms are shown on the tool, along with the date code:



Warning! To reduce the risk of injury, the user must read the instruction manual.



Wear safety glasses or goggles.



Wear ear protection.

Electrical safety



This tool is double insulated; therefore no earth wire is required. Always check that the power supply corresponds to the voltage on the rating plate.

- ◆ If the supply cord is damaged, it must be replaced by the manufacturer or an authorised Stanley Fat Max Service Centre in order to avoid a hazard.

Using an extension cable

Always use an approved extension cable suitable for the power input of this appliance (see technical data). The extension cable must be suitable for outdoor use and marked accordingly. Up to 30 m of 1.5 mm² HO5VV-F extension cable can be used without loss of product performance. Before use, inspect the extension cable for signs of damage, wear and ageing. Replace the extension cable if damaged or defective. When using a cable reel, always unwind the cable completely.

Features

This tool includes some or all of the following features.

1. Side handle
2. Switch
3. Barrel cover
4. SDS MAX Chuck
5. Lube oil-injection inlet

Use

Warning! Before attempting any of the following operations, make sure that the tool is switched off and unplugged.

Switching on and off (Fig. A)

- ◆ To run the tool, press the switch (2) and turn it in 'ON' position.
- ◆ To stop the tool, turn it in 'OFF' position and release the switch (2).

Fitting the side handle (Fig. B)

The side handle (1) can be fitted to suit both RH- and LH-users.

Warning! Do not use the tool without the side handle properly assembled.

- ◆ Loosen the side handle.
- ◆ For RH-users: Slide the side handle clamp over the collar behind the tool holder, handle at the left. For LH-users: Slide the side handle clamp over the collar behind the tool holder, handle at the right.
- ◆ Rotate the side handle to the desired position and tighten the handle.

Inserting and removing SDS Max accessories (fig. C, D)

This tool uses SDS Max accessories (refer to figure D for a cross-section of an SDS Max bit shank). We recommend to use professional accessories only.

- ◆ Clean and grease the bit shank.
- ◆ Insert the bit shank into the bit holder/tool sleeve (4).
- ◆ Push the bit down and turn it slightly until it fits into the slots.
- ◆ Pull on the bit to check if it is properly locked. The hammering function requires the bit to be able to move axially several centimetres when locked in the tool holder.
- ◆ To remove a bit pull back the tool holder/locking sleeve (4), as illustrated in figure C, and pull out the bit.

Warning! Always wear gloves when you change accessories. The exposed metal parts on the tool and accessory may become extremely hot during operation.

Chipping and chiselling (Fig. E)

- ◆ Insert the appropriate chisel (Not supplied) in right position.
- ◆ Adjust the side handle (1) as required.
- ◆ Switch on the tool and start working.
- ◆ Always switch off the tool when work is finished and before unplugging.
- ◆ Always observe the safety instructions and applicable regulations.
- ◆ Be aware of the location of pipework and wiring.
- ◆ Apply only a gentle pressure to the tool (approx. 5 kg). Excessive force does not speed up chiselling but decreases tool performance and may shorten tool life.
- ◆ Always hold the tool firmly with both hands and ensure a secure stance. Always operate the tool with the side handle properly mounted.

Proper hand position (Fig. F)

Warning! To reduce the risk of serious personal injury, ALWAYS use proper hand position as shown.

Warning! To reduce the risk of serious personal injury, ALWAYS hold securely in anticipation of a sudden reaction. Proper hand position requires one hand on the side handle (1), with the other hand on the main handle.

Warning! Do not use this tool to mix or pump easily combustible or explosive fluids (benzine, alcohol, etc.). Do not mix or stir inflammable liquids labelled accordingly.

Accessories

The performance of your tool depends on the accessory used. Stanley Fat Max accessories are engineered to high quality standards and designed to enhance the performance of your tool. By using these accessories you will get the very best from your tool.

Maintenance

Your Stanley Fat Max corded/cordless appliance/tool has been designed to operate over a long period of time with a minimum of maintenance. Continuous satisfactory operation depends upon proper tool care and regular cleaning.

Warning! Before performing any maintenance on corded/cordless power tools:

- ◆ Switch off and unplug the appliance/tool.
- ◆ Or switch off and remove the battery from the appliance/tool if the appliance/tool has a separate battery pack.
- ◆ Or run the battery down completely if it is integral and then switch off.
- ◆ Unplug the charger before cleaning it. Your charger does not require any maintenance apart from regular cleaning.
- ◆ Regularly clean the ventilation slots in your appliance/tool/charger using a soft brush or dry cloth.
- ◆ Regularly clean the motor housing using a damp cloth. Do not use any abrasive or solvent-based cleaner.
- ◆ Regularly open the chuck and tap it to remove any dust from the interior (when fitted).

Mains plug replacement (U.K. & Ireland only)

If a new mains plug needs to be fitted:

- ◆ Safely dispose of the old plug.
- ◆ Connect the brown lead to the live terminal in the new plug.
- ◆ Connect the blue lead to the neutral terminal.

Warning! No connection is to be made to the earth terminal. Follow the fitting instructions supplied with good quality plugs. Recommended fuse: 10 A.

Protecting the environment



Separate collection. Products and batteries marked with this symbol must not be disposed of with normal household waste.

Products and batteries contain materials that can be recovered or recycled reducing the demand for raw materials. Please recycle electrical products and batteries according to local provisions. Further information is available at www.2helpU.com

Technical data

		SFMEH220 (Type 1)
Voltage	V	220 - 240
Frequency	Hz	50 - 60
Power input	W	1010

		SFMEH220 (Type 1)
Impact rate	bpm	2900
Impact energy (EPTA / Max)	J	8.5
Chuck Type		SDS Max
Weight	kg	6.3

SFMEH200 Level of sound pressure according to EN60745:		
Sound pressure (L_{PA})	dB(A)	85
Sound pressure uncertainty (K_{PA})	dB(A)	3
Sound power (L_{WA})	dB(A)	96
Sound power uncertainty (K_{WA})	dB(A)	3
Vibration emission value ah (Chiselling):		
($a_{h,Chisell}$)	m/s^2	11
Uncertainty (K)	m/s^2	1.5

EC declaration of conformity
MACHINERY DIRECTIVE



SMEH220 Demolition Hammer

Stanley Europe declares that these products described under "technical data" are in compliance with: 2006/42/EC, EN 60745-1, EN 60745-2-6

These products also comply with Directive 2014/30/EU and 2011/65/EU. For more information, please contact Stanley Europe at the following address or refer to the back of the manual.

The undersigned is responsible for compilation of the technical file and makes this declaration on behalf of Stanley Europe.

A.P. Smith
Technical Director
Stanley Fat Max Europe, Egide Walschaertsstraat14-18,
2800 Mechelen, Belgium
22/07/2019

Guarantee

Stanley Fat Max is confident of the quality of its products and offers consumers a 12 month guarantee from the date of purchase.

This guarantee is in addition to and in no way prejudices your statutory rights. The guarantee is valid within the territories of the Member States of the European Union and the European Free Trade Area.

To claim on the guarantee, the claim must be in accordance with Stanley Fat Max Terms and Conditions and you will need to submit proof of purchase to the seller or an authorised repair agent. Terms and conditions of the Stanley Fat Max 1 year guarantee and the location of your nearest authorised repair agent can be obtained on the Internet at www.2helpU.com, or by contacting your local Stanley Fat Max office at the address indicated in this manual.

Please visit our website www.stanley.eu/3 to register your new Stanley Fat Max product and receive updates on new products and special offers.

(Übersetzung der ursprünglichen Anweisungen)

Verwendungszweck

Der STANLEY® FATMAX® Abbruchhammer SFMEH220 wurde für leichte oder mittlere Zerspanungs-, Meißel- und Abbrucharwendungen in Beton, Ziegeln und Mauerwerk entwickelt. Dieses Gerät ist zum gewerblichen und privaten Einsatz vorgesehen.

Sicherheitshinweise

Allgemeine Sicherheitswarnungen für das Gerät



Warnung! Lesen Sie alle Sicherheitswarnhinweise und alle Anweisungen. Die Nichteinhaltung der folgenden Warnungen und Anweisungen kann einen elektrischen Schlag, Brand und/oder schwere Verletzungen verursachen.

Bewahren Sie alle Warnhinweise und alle Anweisungen gut auf. Der nachfolgend verwendete Begriff "Gerät" bezieht sich auf netzbetriebene Geräte (mit Netzkabel) und auf akkubetriebene Geräte (ohne Netzkabel).

1. **Sicherheit im Arbeitsbereich**
 - a. **Halten Sie Ihren Arbeitsbereich sauber und gut ausgeleuchtet.** Unaufgeräumte oder dunkle Bereiche begünstigen Unfälle.
 - b. **Betreiben Sie das Gerät nicht in Umgebungen, in denen Explosionsgefahr z. B. aufgrund von brennbaren Flüssigkeiten, Gasen oder Staub besteht.** Geräte erzeugen Funken, die den Staub oder die Dämpfe entzünden können.
 - c. **Halten Sie Kinder und andere Personen während der Benutzung eines Elektrowerkzeugs fern.** Bei Ablenkung können Sie die Kontrolle verlieren.

2. Elektrische Sicherheit

- a. **Der Netzstecker des Geräts muss in die Steckdose passen. Ändern Sie niemals den Stecker in irgendeiner Form. Verwenden Sie keinerlei Adapterstecker an geerdeten Elektrogeräten.**
Unveränderte Stecker und passende Steckdosen mindern die Gefahr eines elektrischen Schlages.
- b. **Vermeiden Sie Körperkontakt mit geerdeten Oberflächen von Rohren, Heizungen, Herden und Kühlschränken.** Es besteht eine erhöhte Gefahr für einen elektrischen Schlag, wenn Ihr Körper geerdet ist.
- c. **Halten Sie Geräte von Regen und Nässe fern.** Wenn Wasser in das Elektrogerät eindringt, erhöht sich die Gefahr eines elektrischen Schlages.
- d. **Verwenden Sie das Kabel ordnungsgemäß. Verwenden Sie es niemals zum Tragen. Trennen Sie das Gerät nicht durch Ziehen am Kabel vom Netz. Halten Sie das Kabel fern von Hitze, Öl, scharfen Kanten oder beweglichen Teilen.** Beschädigte oder verhedderte Kabel erhöhen die Gefahr eines elektrischen Schlages.
- e. **Verwenden Sie nur für den Außenbereich zugelassene Verlängerungskabel, wenn Sie mit dem Elektrowerkzeug im Freien arbeiten.** Die Verwendung von für den Außeneinsatz geeigneten Kabeln mindert die Gefahr eines elektrischen Schlages.
- f. **Wenn das Elektrowerkzeug in einer feuchten Umgebung verwendet werden muss, schließen Sie es unbedingt an eine Steckdose mit Fehlerstromschutzschalter (FI-Schalter) an.** Ein Fehlerstromschutzschalter verringert das Risiko eines elektrischen Schlags.

3. Sicherheit von Personen

- a. **Seien Sie aufmerksam, achten Sie darauf, was Sie tun, und gehen Sie sachgerecht mit einem Elektrowerkzeug um. Benutzen Sie kein Elektrowerkzeug, wenn Sie müde sind oder unter dem Einfluss von Drogen, Alkohol oder Medikamenten stehen.** Ein Moment der Unachtsamkeit beim Betrieb eines Elektrowerkzeugs kann zu schweren Verletzungen führen.
- b. **Verwenden Sie eine geeignete Schutzausrüstung. Tragen Sie immer einen Augenschutz.** Das Tragen persönlicher Schutzausrüstung, wie Staubmaske, rutschfeste Sicherheitsschuhe, Schutzhelm oder Gehörschutz, je nach Art und Einsatz des Geräts, verringert das Risiko von Verletzungen.
- c. **Vermeiden Sie eine unbeabsichtigte Inbetriebnahme. Vergewissern Sie sich, dass das Gerät ausgeschaltet ist, bevor Sie es an eine Steckdose oder einen Akku anschließen, es hochheben oder tragen.**

Wenn Sie beim Tragen des Geräts den Finger am Schalter haben oder das Gerät eingeschaltet an die Stromversorgung anschließen, kann dies zu Unfällen führen.

- d. **Entfernen Sie Einstell- oder Schraubenschlüssel, bevor Sie das Gerät einschalten.** Werkzeuge oder Schlüssel, die an rotierenden Teilen des Elektrogerätes angebracht sind, können zu Verletzungen führen.
 - e. **Beugen Sie sich nicht zu weit nach vorne. Sorgen Sie für einen sicheren Stand und halten Sie jederzeit das Gleichgewicht.** Dadurch können Sie das Gerät in unerwarteten Situationen besser kontrollieren.
 - f. **Tragen Sie geeignete Kleidung. Tragen Sie keine weite Kleidung und keinen Schmuck. Halten Sie Ihre Haare, Kleidung und Handschuhe von beweglichen Teilen fern.** Lose sitzende Kleidung, Schmuck oder lange Haare können sich in den beweglichen Teilen verfangen.
 - g. **Falls Vorrichtungen zum Absaugen oder Auffangen von Staub vorhanden sind, vergewissern Sie sich, dass diese angeschlossen sind und richtig verwendet werden.** Das Verwenden einer Staubauffangvorrichtung verringert Gefährdungen durch Staub.
- ## 4. Gebrauch und Pflege von Geräten
- a. **Überlasten Sie das Gerät nicht. Verwenden Sie das für Ihre Arbeit passende Gerät.** Das richtige Gerät wird die Aufgabe besser und sicherer erledigen, wenn es bestimmungsgemäß verwendet wird.
 - b. **Verwenden Sie das Gerät nicht, wenn der Ein-/Ausschalter nicht funktioniert.** Ein Gerät, das sich nicht mehr ein- oder ausschalten lässt, ist gefährlich und muss repariert werden.
 - c. **Ziehen Sie den Stecker aus der Steckdose, oder trennen Sie das Gerät vom Akku, bevor Sie Einstellungen vornehmen, Zubehörteile wechseln oder das Gerät lagern.** Diese Vorbeugemaßnahmen mindern die Gefahr, dass das Elektrogerät unbeabsichtigt startet.
 - d. **Bewahren Sie unbenutzte Geräte außerhalb der Reichweite von Kindern auf. Lassen Sie Geräte nicht von Personen benutzen, die damit nicht vertraut sind oder diese Anweisungen nicht gelesen haben.** Geräte sind in den Händen nicht geschulter Personen gefährlich.
 - e. **Halten Sie das Gerät in einem einwandfreien Zustand. Kontrollieren Sie, ob bewegliche Teile falsch ausgerichtet sind oder klemmen und ob Teile gebrochen oder so beschädigt sind, dass die Funktion des Geräts beeinträchtigt ist. Bei Beschädigungen lassen Sie das Gerät reparieren, bevor Sie es verwenden.** Viele Unfälle entstehen wegen mangelnder Wartung der Geräte.
 - f. **Halten Sie Schneidgeräte scharf und sauber.**

Richtig gewartete Schneidwerkzeuge mit scharfen Klingen blockieren seltener und sind leichter unter Kontrolle zu halten.

- g. **Verwenden Sie Gerät, Zubehör, Einsatz-Bits usw. entsprechend diesen Anweisungen und berücksichtigen Sie dabei die Arbeitsbedingungen und die auszuführende Arbeit.** Der Gebrauch von Elektrowerkzeugen für andere als die vorgesehenen Zwecke kann zu gefährlichen Situationen führen.
5. **Service**
- a. **Lassen Sie Ihr Elektrowerkzeug nur von qualifiziertem Fachpersonal und nur mit Original-Ersatzteilen reparieren.** Damit wird sichergestellt, dass die Sicherheit des Geräts erhalten bleibt.

Zusätzliche Sicherheitswarnungen für das Gerät



Warnung! Zusätzliche Sicherheitshinweise für Abbruchhämmer.

- ◆ **Tragen Sie einen Gehörschutz.** Lärm kann Gehörschäden verursachen.
- ◆ **Verwenden Sie die mitgelieferten Zusatzgriffe.** Der Verlust der Kontrolle kann Verletzungen verursachen.
- ◆ **Halten Sie das Elektrowerkzeug an den isolierten Griffflächen, wenn Arbeiten durchgeführt werden, bei denen das Schneidwerkzeug versteckte Leitungen oder die eigene Anschlussleitung berühren könnte.** Der Kontakt mit stromführenden Leitungen kann auch offen liegende Metallteile am Gerät unter Strom setzen und zu einem Stromschlag führen.
- ◆ **Stellen Sie sicher, dass das zu bearbeitende Material keine Elektro- oder Gasleitungen verbirgt und dass deren Lage bei den Versorgungsunternehmen überprüft wurde.**
- ◆ **Halten Sie das Werkzeug immer gut fest. Halten Sie das Gerät beim Betrieb immer mit beiden Händen fest. Der Betrieb des Werkzeugs mit einer Hand führt zu Kontrollverlust.** Durchbrechen oder Auftreffen auf harte Materialien wie Bewehrungsstäbe können gefährlich sein. Ziehen Sie den Zusatzhandgriff vor der Verwendung gut fest.
- ◆ **Stellen Sie sicher, dass der Meißel fest sitzt, bevor Sie das Werkzeug bedienen.**
- ◆ **Lassen Sie das Werkzeug bei kaltem Wetter oder wenn es längere Zeit nicht benutzt wurde, einige Minuten ohne Last laufen, bevor Sie es verwenden.**
- ◆ **Stellen Sie bei Arbeiten über dem Boden sicher, dass der Bereich darunter frei ist.**
- ◆ **Berühren Sie den Meißel oder die Teile nahe am Meißel nicht unmittelbar nach dem Betrieb, da sie extrem heiß sein und zu Verbrennungen führen können.**

- ◆ **Das Stromkabel sollte stets hinter dem Gerät, vom Meißel entfernt, geführt werden.**
- ◆ **Betreiben Sie dieses Werkzeug nicht über lange Zeiträume. Durch das Hämmern verursachte Vibrationen können für Ihre Hände und Arme schädlich sein.** Tragen Sie Handschuhe als zusätzlichen Dämpfer und legen Sie häufig Pausen ein, um den Schwingungen nicht zu lange Zeit ausgesetzt zu sein.

Sicherheit anderer Personen

- ◆ Dieses Gerät darf nicht von Personen (einschließlich Kindern) mit eingeschränkten physischen, sensorischen oder mentalen Fähigkeiten oder ohne ausreichende Erfahrung oder Kenntnisse verwendet werden, außer wenn diese Personen von einer Person, die für ihre Sicherheit verantwortlich ist, bei der Verwendung des Geräts beaufsichtigt oder mit ihm vertraut gemacht werden.
- ◆ Kinder müssen beaufsichtigt werden, um sicherzustellen, dass sie nicht mit dem Gerät spielen.

Restrisiken.

Beim Gebrauch dieses Geräts verbleiben zusätzliche Restrisiken, die möglicherweise nicht in den Sicherheitswarnungen genannt werden. Diese Risiken bestehen beispielsweise bei Missbrauch oder längerem Gebrauch.

Auch bei der Einhaltung der entsprechenden Sicherheitsvorschriften und der Verwendung aller Sicherheitsgeräte bestehen weiterhin bestimmte Restrisiken. Diese sind:

- ◆ Verletzungen, die durch das Berühren von sich drehenden/bewegenden Teilen verursacht werden.
- ◆ Verletzungen, die durch das Austauschen von Teilen, Messern oder Zubehör verursacht werden.
- ◆ Verletzungen, die durch längeren Gebrauch eines Geräts verursacht werden. Legen Sie bei längerem Gebrauch regelmäßige Pausen ein.
- ◆ Schwerhörigkeit.
- ◆ Gesundheitsrisiken durch das Einatmen von Staub beim Gebrauch des Geräts (z. B. bei Holzarbeiten, insbesondere Eiche, Buche und Pressspan)

Vibration

Die in den Abschnitten „Technische Daten“ und „EU-Konformitätserklärung“ angegebenen Werte für die Vibrationsemission wurden mit einer Standard-Prüfmethode nach EN 60745 ermittelt und können zum Vergleich verschiedener Geräte herangezogen werden. Außerdem kann mit Hilfe dieses Werts die Belastung bei Verwendung des Geräts schon im Voraus eingeschätzt werden.

Warnung! Die bei Verwendung des Geräts auftretende Vibrationsemission hängt von der Art des Gerätegebrauchs ab und kann dementsprechend von dem angegebenen Wert abweichen. Gegebenenfalls kann die Vibration über dem angegebenen Wert liegen.

Für die Ermittlung der Vibrationsbelastung müssen die tatsächlichen Einsatzbedingungen und Verwendungen des Geräts während des gesamten Arbeitsgangs berücksichtigt werden, einschließlich der Zeiten, wenn das Gerät nicht verwendet oder im Leerlauf betrieben wird. Diese Werte werden benötigt, um die gemäß 2002/44/EG erforderlichen Sicherheitsmaßnahmen zum Schutz von Personen festlegen zu können.

Etiketten am Werkzeug

Am Gerät sind die folgenden Piktogramme inkl. Datumscode angebracht



Warnung! Lesen Sie vor Gebrauch die Anleitung. Andernfalls besteht Verletzungsgefahr.



Tragen Sie eine Schutzbrille.



Tragen Sie Gehörschutz.

Elektrische Sicherheit



Dieses Gerät ist schutzisoliert, daher ist keine Erdleitung erforderlich. Überprüfen Sie immer, dass die Stromversorgung der Spannung auf dem Typenschild entspricht.

- ◆ Ist das Netzkabel beschädigt, muss es durch den Hersteller oder eine Stanley FatMax Vertragswerkstatt ausgetauscht werden, um eine mögliche Gefährdung zu vermeiden.

Verwenden eines Verlängerungskabels

Verwenden Sie ausschließlich geprüfte Verlängerungskabel, die für die Leistungsaufnahme dieses Geräts ausgelegt sind (siehe "Technische Daten"). Das Verlängerungskabel muss für die Verwendung im Außenbereich geeignet und entsprechend gekennzeichnet sein. Es kann ein 1.5 mm²-HO5VV-F-Verlängerungskabel mit einer Länge von bis zu 30 m verwendet werden, ohne dass die Leistung des Geräts beeinträchtigt wird. Prüfen Sie vor der Inbetriebnahme das Netzkabel auf Verschleiß und Beschädigungen. Wechseln Sie beschädigte oder fehlerhafte Verlängerungskabel aus. Wenn Sie eine Kabeltrommel verwenden, wickeln Sie das Kabel vollständig ab.

Merkmale

Dieses Gerät verfügt über einige oder alle der folgenden Merkmale:

1. Zusatzhandgriff
2. Schalter
3. Laufabdeckung
4. SDS MAX-Spannfutter
5. Einlass für Schmieröleinspritzung

Verwendung

Warnung! Vergewissern Sie sich vor Ausführung der folgenden Schritte, dass das Gerät ausgeschaltet und vom Stromnetz getrennt ist.

Ein- und Ausschalten (Abb. A)

- ◆ Um das Werkzeug zu betreiben, drücken Sie den Schalter (2) und drehen Sie ihn in die Position 'ON'.
- ◆ Um das Werkzeug anzuhalten, drehen Sie ihn in die Position 'OFF' und lassen Sie den Schalter (2) los.

Anbringen des seitlichen Haltegriffs (Abb. B)

Der seitliche Haltegriff (1) kann für Rechts- und Linkshänder montiert werden.

Warnung! Verwenden Sie das Gerät nicht, wenn der seitliche Haltegriff nicht einwandfrei montiert ist.

- ◆ Lösen Sie den seitlichen Haltegriff.
- ◆ Für Rechtshänder: Schieben Sie die Klammer des seitlichen Haltegriffs über den Kragen hinter den Werkzeughalter, der Griff befindet sich links. Für Linkshänder: Schieben Sie die Klammer des seitlichen Haltegriffs über den Kragen hinter den Werkzeughalter, der Griff befindet sich rechts.
- ◆ Drehen Sie den Zusatzhandgriff in die gewünschte Position und ziehen Sie ihn an.

Anbringen und Entfernen von SDS Max-Zubehör (Abb. C, D)

Dieses Werkzeug verwendet SDS Max-Zubehör (Abbildung D zeigt einen Querschnitt eines SDS Max-Bit-Schafts). Wir empfehlen die ausschließliche Verwendung von professionellem Zubehör.

- ◆ Säubern und fetten Sie den Bit-Schaft.
- ◆ Setzen Sie den Bit-Schaft in den Bit-Halter bzw. in die Werkzeugmanschette (4) ein.
- ◆ Schieben Sie das Bit nach unten und drehen Sie es leicht, bis es in die Schlitze passt.
- ◆ Überprüfen Sie die Werkzeugverriegelung, indem Sie am Werkzeug ziehen. Zum Schlagbohren muss die axiale Bewegung des in der Werkzeugaufnahme arretierten Werkzeuges einige Zentimeter betragen.
- ◆ Zum Entfernen eines Bits ziehen Sie den Bit-Halter bzw.

die Werkzeugmanschette (4) wie in Abbildung C gezeigt zurück und ziehen das Bit heraus.

Warnung! Tragen Sie beim Wechseln von Zubehör stets Handschuhe. Freiliegende Metallteile dieses Werkzeugs und Zubehörteile werden beim Gebrauch äußerst heiß.

Zerspanen und Meißeln (Abb. E)

- ◆ Setzen Sie den entsprechenden Meißel (nicht mitgeliefert) in der richtigen Position ein.
- ◆ Stellen Sie den seitlichen Haltegriff (1) nach Bedarf ein.
- ◆ Schalten Sie das Werkzeug ein und beginnen Sie mit der Arbeit.
- ◆ Schalten Sie das Elektrowerkzeug bei Beendigung der Arbeiten immer aus. Erst dann darf der Netzstecker aus der Steckdose gezogen werden.
- ◆ Beachten Sie immer die Sicherheitsanweisungen und die geltenden Vorschriften.
- ◆ Achten Sie auf die Lage von Leitungen und Kabeln.
- ◆ Üben Sie nur geringen Druck auf das Gerät aus (etwa 5 kg). Übermäßiger Druck erhöht die Meißelgeschwindigkeit nicht sondern beeinträchtigt lediglich die Leistung und verkürzt möglicherweise die Lebensdauer des Werkzeugs.
- ◆ Halten Sie das Gerät stets mit beiden Händen fest und achten Sie auf einen sicheren Stand. Vergewissern Sie sich vor Arbeitsbeginn immer, dass der seitliche Haltegriff einwandfrei montiert ist.

Richtige Handstellung (Abb. F)

Warnung! Um die Gefahr schwerer Verletzungen zu mindern, beachten Sie **IMMER** die richtige Haltung der Hände, wie dargestellt.

Warnung! Um die Gefahr schwerer Verletzungen zu mindern, halten Sie das Gerät **IMMER** sicher fest und seien Sie auf eine plötzliche Reaktion gefasst. Bei der korrekten Handposition liegt eine Hand auf dem seitlichen Haltegriff (1) und die andere auf dem Haupthandgriff.

Warnung! Verwenden Sie dieses Werkzeug nicht zum Mischen oder Pumpen von leicht brennbaren oder explosiven Flüssigkeiten (Benzin, Alkohol usw.). Mischen bzw. rühren Sie keine entsprechend gekennzeichneten brennbaren Flüssigkeiten.

Zubehör

Das verwendete Zubehör hat wesentlichen Einfluss auf die Leistung des Geräts. Zubehörteile von Stanley FatMax erfüllen höchste Qualitätsstandards und wurden speziell für die Verwendung mit Ihrem Gerät entwickelt. Bei Verwendung dieses Zubehörs erhalten Sie stets optimale Ergebnisse.

Wartung

Ihr Stanley FatMax Gerät (mit und ohne Netzkabel) wurde im Hinblick auf eine lange Lebensdauer und einen möglichst geringen Wartungsaufwand entwickelt. Ein kontinuierlicher, zufriedenstellender Betrieb hängt von der richtigen Pflege des Gerätes und seiner regelmäßigen Reinigung ab.

Warnung! Vor dem Ausführen jeglicher Wartungsarbeiten an Geräten mit und ohne Netzkabel:

- ◆ Schalten Sie das Gerät aus, und ziehen Sie den Netzstecker.
- ◆ Wenn das Gerät über einen separaten Akku verfügt, schalten Sie den Akku ab, und entfernen Sie ihn vom Gerät.
- ◆ Wenn der Akku integriert ist, entladen Sie diesen vor dem Abschalten vollständig.
- ◆ Ziehen Sie das Ladegerät aus der Netzsteckdose, bevor Sie es reinigen. Das Ladegerät benötigt keine Wartung, es sollte jedoch regelmäßig gereinigt werden.
- ◆ Reinigen Sie regelmäßig die Lüftungsschlitze des Geräts und des Ladegeräts mit einer weichen Bürste oder einem trockenen Tuch.
- ◆ Reinigen Sie das Motorgehäuse regelmäßig mit einem feuchten Tuch. Verwenden Sie keine scheuernden Reinigungsmittel oder Reinigungsmittel auf Lösungsmittelbasis.
- ◆ Öffnen Sie regelmäßig das Spannfutter, und entfernen Sie durch Klopfen ggf. Staub aus dem Inneren des Geräts.

Austauschen des Netzsteckers (nur Großbritannien und Irland)

Wenn ein neuer Netzstecker angebracht werden muss:

- ◆ Sorgen Sie für eine sichere Entsorgung des alten Steckers.
- ◆ Verbinden Sie die braune Leitung mit dem spannungsführenden Anschluss des Steckers.
- ◆ Verbinden Sie den blauen Draht mit dem neutralen Anschluss.

Warnung! Stellen Sie keine Verbindung mit dem Erdungsanschluss her. Befolgen Sie die Montageanweisungen, die mit hochwertigen Steckern mitgeliefert werden. Empfohlene Sicherung: 10 A.

Umweltschutz



Getrennte Entsorgung. Produkte und Akkus mit diesem Symbol dürfen nicht mit dem normalen Hausmüll entsorgt werden.

Produkte und Akkus enthalten Materialien, die wiederverwertet werden können, um den Bedarf an Rohstoffen zu verringern. Bitte recyceln Sie elektrische Produkte und Akkus gemäß den örtlichen Bestimmungen. Weitere Informationen finden Sie auf www.2helpU.com

Technische Daten

		SFMEH220 (Typ 1)
Spannung	V	220 - 240
Frequenz	Hz	50 - 60
Leistungsaufnahme	W	1010
Schlagzahl	Schläge pro Minute	2900
Schlagenergie (EPTA / Max)	J	8,5
Spannfuttertyp		SDS Max
Gewicht	kg	6,3

SFMEH200 Schalldruckpegel gemäß EN60745:

Schalldruck (L_{pA})	dB(A)	85
Schalldruck-Unsicherheitsfaktor (K_{pA})	dB(A)	3
Schalleistung (L_{WA})	dB(A)	96
Schalleistung-Unsicherheitsfaktor (K_{WA})	dB(A)	3
Vibrationsemissionswert ah (Meißen):		
($a_{h,CHet}$)	m/s ²	11
Unsicherheitsfaktor (K)	m/s ²	1,5

EU-Konformitätserklärung
MASCHINENRICHTLINIE

SMEH220 Abbruchhammer

Stanley Europe erklärt, dass diese unter "Technische Daten" beschriebenen Geräte übereinstimmen mit:
2006/42/EG, EN 60745-1, EN 60745-2-6

Diese Produkte entsprechen außerdem der Richtlinie 2014/30/EU und 2011/65/EU. Weitere Informationen erhalten Sie von Stanley Europe unter der folgenden Adresse. Diese befindet sich auch auf der Rückseite dieser Anleitung.

Der Unterzeichnete ist verantwortlich für die Zusammenstellung der technischen Daten und gibt diese Erklärung im Namen von Stanley Europe ab.

A.P. Smith
Technical Director
Stanley Fat Max Europe, Egide Walschaertsstraat 14-18,
2800 Mechelen, Belgien
22/07/2019

Garantie

Stanley FatMax vertraut auf die Qualität der eigenen Geräte und bietet dem Käufer eine außergewöhnliche Garantie von 12 Monaten ab Kaufdatum. Diese Garantie versteht sich unbeschadet der gesetzlichen Gewährleistungsansprüche und schränkt diese keinesfalls ein. Diese Garantie gilt innerhalb der Staatsgebiete der Mitgliedstaaten der Europäischen Union und der Europäischen Freihandelszone.

Zur Inanspruchnahme dieser Garantie muss sie den allgemeinen Geschäftsbedingungen von Stanley FatMax entsprechen und dem Verkäufer bzw. der Vertragswerkstatt ist ein Kaufnachweis vorzulegen. Die Bedingungen für die 1-jährige Garantie von Stanley FatMax und den Standort Ihrer nächstgelegenen Vertragswerkstatt finden Sie im Internet unter www.2helpU.com oder indem Sie sich an die lokale Stanley FatMax-Niederlassung wenden, deren Adresse Sie in dieser Anleitung finden.

Ihr neues Stanley FatMax-Produkt können Sie auf unserer Website unter www.stanley.eu/3 registrieren. Dort erhalten Sie auch Informationen über neue Produkte und Sonderangebote.

(Traduction des instructions initiales)

FRANÇAIS

Utilisation prévue Le marteau piqueur STANLEY® FATMAX® SFMEH220 a été conçu pour les applications professionnelles légères ou moyennes de burinage, de rainurage et de démolition dans le béton, la brique et les matériaux de maçonnerie. Cet outil a été conçu pour les professionnels et les particuliers.

Consignes de sécurité

Avertissements de sécurité générale propres aux outils électriques



Avertissement ! Lisez tous les avertissements et toutes les consignes de sécurité. Le non-respect des avertissements et des instructions listés ci-dessous peut entraîner des chocs électriques, des incendies et/ou de graves blessures.

Conservez tous les avertissements et toutes les instructions afin de pouvoir vous y référer dans le futur. Le terme "outil électrique" mentionné dans tous les avertissements listés ci-dessous fait référence à vos outils électriques branchés sur secteur (avec câble) ou fonctionnant sur pile ou batterie (sans fil).

1. Sécurité de la zone de travail

- a. **Maintenez la zone de travail propre et bien éclairée.**
Les zones sombres ou encombrées sont propices aux accidents.

- b. **N'utilisez pas d'outils électriques dans un environnement présentant des risques d'explosion ou en présence de liquides, gaz ou poussières inflammables.** Les outils électriques créent des étincelles qui peuvent enflammer les poussières et les fumées.
- c. **Maintenez les enfants et les autres personnes éloignés lorsqu'un outil électrique est en marche.** Toute distraction peut vous faire perdre le contrôle de l'outil.

2. Sécurité électrique

- a. **Les prises des outils électriques doivent correspondre à la prise de courant murale. Ne modifiez jamais la prise d'aucune sorte. N'utilisez aucun adaptateur avec des outils électriques reliés à la terre.**
L'utilisation de prises d'origine et de prises murales appropriées permet de réduire le risque de choc électrique.
- b. **Évitez tout contact physique avec des surfaces reliées à la terre comme des tuyaux, des radiateurs, des fours et des réfrigérateurs par exemple.** Il y a sinon un risque accru de choc électrique si votre corps est lui-même relié à la terre.
- c. **N'exposez pas les outils électriques à la pluie, ni à l'humidité.** Le risque de choc électrique augmente si de l'eau pénètre dans un outil électrique.
- d. **Ne tirez pas sur le cordon d'alimentation. N'utilisez jamais le cordon pour transporter, tirer ou débrancher l'outil électrique. Maintenez le cordon éloigné de la chaleur, de substances grasses, de bords tranchants ou de pièces mobiles.** Les cordons endommagés ou emmêlés augmentent le risque de choc électrique.
- e. **Si vous utilisez un outil électrique à l'extérieur, utilisez une rallonge homologuée pour les travaux extérieurs.** L'utilisation d'une rallonge électrique homologuée pour les travaux en extérieur réduit le risque de choc électrique.
- f. **Si l'utilisation d'un outil électrique dans un endroit humide est inévitable, utilisez une alimentation électrique protégée par un disjoncteur différentiel à courant résiduel (DDR).** L'utilisation d'un DDR réduit le risque de choc électrique.

3. Sécurité des personnes

- a. **Restez vigilant, surveillez ce que vous faites et faites preuve de bon sens lorsque vous utilisez un outil électrique. N'utilisez pas d'outils électriques si vous êtes fatigué ou sous l'influence de drogue, d'alcool ou de médicaments.** Tout moment d'inattention pendant l'utilisation d'un outil électrique peut engendrer de graves blessures.
- b. **Portez des équipements de protection individuelle. Portez toujours une protection oculaire.**

Les équipements de protection comme les masques à poussière, les chaussures de sécurité antidérapantes, les casques ou les protections auditives, utilisés à bon escient, réduisent le risque de blessures.

- c. **Empêchez tout démarrage intempestif. Assurez-vous que l'interrupteur est en position Arrêt avant de raccorder l'outil à l'alimentation électrique et/ou au bloc-batterie ou avant de ramasser ou de transporter l'outil.** Le fait de transporter les outils électriques du doigt sur l'interrupteur ou d'alimenter les outils électriques dont l'interrupteur est déjà en position de marche augmente le risque d'accidents.
 - d. **Retirez toutes les clés ou pinces de réglage avant de mettre l'outil en marche.** Une clé ou une pince restée fixée sur une pièce rotative de l'outil électrique peut engendrer des blessures.
 - e. **Ne vous penchez pas. Gardez les pieds bien ancrés au sol et conservez votre équilibre en permanence.** Cela permet de mieux maîtriser l'outil électrique en cas de situations imprévues.
 - f. **Portez des vêtements appropriés. Ne portez aucun vêtement ample ou bijou. Gardez vos cheveux, vos vêtements et vos gants éloignés des pièces mobiles.** Les vêtements amples, les bijoux ou les cheveux longs peuvent être happés par les pièces mobiles.
 - g. **Si des dispositifs pour le raccordement d'un extracteur de poussières ou des installations pour la récupération sont présents, assurez-vous qu'ils sont correctement raccordés et utilisés.** L'utilisation de dispositifs récupérateurs de poussières réduit les risques liés aux poussières.
- ## 4. Utilisation et entretien des outils électriques
- a. **Respectez la capacité de l'outil. Utilisez l'outil approprié en fonction du travail à réaliser.** Un outil adapté fonctionne mieux, de façon plus sûre et à la cadence pour laquelle il a été conçu.
 - b. **N'utilisez pas l'outil électrique si son interrupteur ne permet pas de l'allumer ou de l'éteindre.** Tout outil électrique qui ne peut plus être commandé par son interrupteur est dangereux et doit être réparé.
 - c. **Débranchez la prise du secteur et/ou retirez le bloc-batterie de l'outil électrique avant d'effectuer tout réglage, de changer un accessoire ou de ranger les outils électriques.** Ces mesures de sécurité préventives réduisent le risque de démarrage accidentel de l'outil électrique.
 - d. **Rangez les outils électriques non utilisés hors de portée des enfants et ne laissez aucune personne ne connaissant pas ces outils ou leurs instructions d'utilisation les faire fonctionner.** Les outils électriques peuvent être dangereux entre des mains inexpérimentées.
 - e. **Entretenez vos outils électriques.**

Vérifiez que les pièces mobiles sont alignées correctement et qu'elles ne sont pas coincées. Vérifiez qu'il n'y a pas de pièces cassées ou toute autre condition qui pourrait nuire au bon fonctionnement de l'outil. En cas de dommage, faites réparer l'outil électrique avant de l'utiliser. De nombreux accidents sont provoqués par des outils électriques mal entretenus.

- f. **Maintenez les organes de coupe affûtés et propres.** Des organes de coupe bien entretenus et affûtés sont moins susceptibles de rester coincés et sont plus faciles à contrôler.
- g. **Utilisez l'outil électrique, les accessoires et les embouts d'outils conformément à ces instructions, en tenant compte des conditions de travail, ainsi que du travail à effectuer.** L'utilisation d'un outil électrique à des fins autres que celles pour lesquelles il a été prévu engendre des situations dangereuses.

5. Révision/Réparation

- a. **Ne faites réviser/réparer votre outil électrique que par un réparateur qualifié qui n'utilise que des pièces de rechange d'origine.** Cela permet de garantir la sûreté de l'outil électrique.

Avertissements de sécurité supplémentaires propres aux outils électriques



Avertissement ! Consignes de sécurité supplémentaires pour marteaux de démolition.

- ◆ **Porter des protections auditives.** L'exposition au bruit peut causer la perte de l'ouïe.
- ◆ **Utilisez les poignées auxiliaires fournies avec l'outil.** La perte de contrôle peut provoquer des blessures.
- ◆ **Tenez l'outil électrique par les surfaces de préhension isolées prévues à cet effet pour les opérations au cours desquelles l'organe de coupe pourrait entrer en contact avec des fils électriques cachés ou son propre cordon.** Tout contact de l'organe de coupe avec un fil sous tension peut mettre les parties métalliques exposées de l'outil sous tension et provoquer un choc électrique à l'utilisateur.
- ◆ **Assurez-vous que le matériau à percer ne contient aucune gaine électrique ni conduites de gaz et l'emplacement de ces derniers ont été vérifiés auprès des sociétés de distribution.**
- ◆ **Maintenez toujours fermement l'outil. Ne tentez pas d'utiliser cet outil sans le tenir des deux mains.** L'utilisation de cet outil avec une seule main entraîne une perte de contrôle. La perforation ou la rencontre de matériaux durs comme les barres d'armature peuvent également être dangereuses.

Serrez solidement la poignée latérale avant l'utilisation.

- ◆ **Assurez-vous que le burin est bien fixé en position avant d'utiliser l'outil.**
- ◆ **Par temps froid ou si l'outil n'a pas été utilisé pendant une longue période, laissez l'outil tourner à vide quelques minutes avant de l'utiliser.**
- ◆ **Si vous travaillez au-dessus du sol, assurez-vous que la zone en dessous est vide.**
- ◆ **Ne touchez pas le burin ou les pièces proches du burin juste après l'utilisation car ces pièces peuvent être extrêmement chaudes et provoquer des brûlures.**
- ◆ **Dirigez toujours le câble d'alimentation vers l'arrière, loin du burin.**
- ◆ **N'utilisez pas cet outil de manière prolongée. Les vibrations provoquées par la percussion peuvent être nuisibles pour les mains et les bras.** Utilisez des gants pour mieux vous protéger et limiter votre exposition aux vibrations en faisant des pauses régulières.

Sécurité des personnes

- ◆ Cet appareil n'est pas prévu pour être utilisé par des personnes (y compris des enfants) aux capacités physiques, sensorielles ou mentales réduites ou qui manquent d'expérience et de connaissances, sauf si elles sont supervisées ou formées à l'utilisation de l'appareil par une personne responsable de leur sécurité.
- ◆ Les enfants doivent être surveillés pour garantir qu'ils ne jouent pas avec l'appareil.

Risques résiduels.

Certains risques résiduels autres que ceux mentionnés dans les avertissements sur la sécurité peuvent survenir en utilisant l'outil. Ces risques peuvent être provoqués par une utilisation incorrecte, prolongée, etc.

Malgré l'application des normes de sécurité pertinentes et la mise en œuvre de dispositifs de sécurité, certains risques résiduels ne peuvent pas être évités. Ils comprennent :

- ◆ Les blessures dues au contact avec des pièces mobiles/ en rotation.
- ◆ Les blessures dues au changement de pièces, de lame ou d'accessoires.
- ◆ Les blessures dues à l'utilisation prolongée d'un outil. Lorsqu'un outil est utilisé pendant de longues périodes, assurez-vous de faire des pauses régulières.
- ◆ Diminution de l'acuité auditive.
- ◆ Risques pour la santé dus à l'inhalation de poussières produites pendant l'utilisation de l'outil (exemple : travail avec du bois, surtout le chêne, le hêtre et les panneaux en MDF)

Vibrations

La valeur des émissions de vibrations déclarée dans les caractéristiques techniques et la déclaration de conformité a été mesurée conformément à la méthode de test standard de la norme EN 60745 et peut être utilisée pour comparer un outil à un autre. La valeur des émissions de vibrations déclarée peut aussi être utilisée pour une évaluation préliminaire à l'exposition.

Avertissement ! En fonction de la manière dont l'outil est utilisé, la valeur réelle des vibrations émises pendant l'utilisation de l'outil peut différer de la valeur déclarée. Le niveau des vibrations peut dépasser le niveau déclaré. Quand l'exposition aux vibrations est évaluée afin de déterminer les mesures de sécurité requises par la norme 2002/44/CE pour protéger les personnes utilisant régulièrement des outils électriques, cette estimation doit tenir compte des conditions réelles d'utilisation et de la façon dont l'outil est utilisé. Il faut également tenir compte de toutes les composantes du cycle de fonctionnement comme la durée pendant laquelle l'outil est arrêté et quand il fonctionne au ralenti, ainsi que la durée du déclenchement.

Étiquettes apposées sur l'outil

Les pictogrammes qui suivent figurent sur l'outil avec le code date :



Avertissement ! Afin de réduire le risque de blessures, l'utilisateur doit lire le manuel d'utilisation.



Portez des lunettes de sécurité ou de protection.



Portez une protection auditive.

Sécurité électrique



Cet outil est doublement isolé et il ne nécessite donc aucune liaison à la terre. Assurez-vous toujours que l'alimentation électrique correspond à la tension mentionnée sur la plaque signalétique.

- ◆ Si le câble d'alimentation est endommagé, il doit être remplacé par le fabricant ou par un centre d'assistance agréé Stanley Fat Max afin d'éviter les risques éventuels.

Utilisation d'une rallonge

La rallonge utilisée doit être conforme aux normes et doit s'adapter exactement à la prise de cet appareil (voir les caractéristiques techniques). La rallonge doit être homologuée pour une utilisation en extérieur et marquée en conséquence. Une rallonge HO5VV-F de 1,5 mm² allant jusqu'à 30 m peut être utilisée sans que les performances de l'appareil ne soient limitées.

Avant utilisation, vérifiez la rallonge et assurez-vous qu'elle ne présente aucun signe d'endommagement, d'usure ou de vieillissement. Remplacez la rallonge si elle est en mauvais état. Si vous utilisez un enrouleur de câble, déroulez toujours le câble complètement.

Caractéristiques

Cet outil dispose de tout ou partie des éléments suivants.

1. Poignée latérale
2. Interrupteur
3. Carter du piston
4. Mandrin SDS MAX
5. Ouverture pour l'injection d'huile de lubrification

Utilisation

Avertissement ! Avant d'exécuter l'une des opérations ci-dessous, assurez-vous que l'outil est éteint et débranché.

Mise en marche et extinction (Fig. A)

- ◆ Pour mettre l'outil en marche, enfoncez l'interrupteur (2) et tournez-le jusqu'à la position Marche.
- ◆ Pour éteindre l'outil, tournez l'interrupteur jusqu'à la position Arrêt et relâchez-le (2).

Installation de la poignée latérale (Fig. B)

La poignée latérale (1) peut être montée pour convenir aux droitiers ou aux gauchers.

Avertissement ! N'utilisez pas l'outil sans que la poignée latérale ne soit correctement assemblée.

- ◆ Desserrez la poignée latérale.
- ◆ Pour les droitiers : Faites glisser l'attache de la poignée latérale par-dessus la bague derrière le porte-outil, poignée à gauche. Pour les gauchers : Faites glisser l'attache de la poignée latérale par-dessus la bague derrière le porte-outil, poignée à droite.
- ◆ Tournez la poignée latérale jusqu'à la position voulue et serrez la poignée.

Insertion et retrait des accessoires SDS Max (Fig. C, D)

Cet outil utilise des accessoires SDS Max (consultez la figure D pour voir l'empreinte d'une tige d'embout SDS Max). Nous recommandons de n'utiliser que des accessoires professionnels.

- ◆ Nettoyez et graissez la tige de l'embout.
- ◆ Insérez la tige de l'embout dans le porte-embout/manchon de l'outil (4).
- ◆ Enfoncez l'embout et tournez-le légèrement jusqu'à ce qu'il entre dans les fentes.
- ◆ Tirez sur l'embout pour vérifier qu'il est correctement verrouillé. La fonction de percussion nécessite que l'embout puisse se déplacer axialement de plusieurs centimètres lorsqu'il est verrouillé dans le porte-outil.

- ◆ Pour retirer un embout, repoussez le porte-outil/manchon de verrouillage (4) comme illustré par la figure C et tirez sur l'embout pour le sortir.

Avertissement ! Portez toujours des gants pour remplacer un accessoire. Les parties métalliques exposées de l'outil et les accessoires peuvent devenir extrêmement chauds pendant l'utilisation.

Burinage et ciselage (Fig. E)

- ◆ Insérez le burin approprié (non fourni) dans la bonne position.
- ◆ Réglez la poignée latérale (1) si nécessaire.
- ◆ Mettez l'outil en marche et commencez le travail.
- ◆ Éteignez toujours l'outil une fois la tâche terminée et avant de débrancher l'outil.
- ◆ Respectez toujours les consignes de sécurité et la réglementation applicable.
- ◆ Prenez connaissance de l'emplacement des tuyaux et des câbles.
- ◆ N'appliquez qu'une légère pression sur l'outil (env. 5 kg). Une force excessive n'accélère pas le ciselage, mais réduit les performances de l'outil et peut diminuer sa durée de vie.
- ◆ Tenez toujours l'outil fermement à deux mains et assurez-vous de garder une posture stable. Utilisez toujours l'outil en veillant à ce que la poignée latérale soit correctement installée.

Position correcte des mains (Fig. F)

Avertissement ! Afin de réduire tout risque de blessures graves, placez TOUJOURS vos mains correctement, comme indiqué.

Avertissement ! Afin de réduire tout risque de blessures graves, tenez TOUJOURS la machine fermement pour anticiper toute réaction soudaine de sa part. La position correcte des mains nécessite une main sur la poignée latérale (1) et l'autre main sur la poignée principale.

Avertissement ! N'utilisez pas cet outil pour mélanger ou pomper plus facilement des fluides combustibles ou explosifs (essence, alcool, etc.). Ne mélangez et ne remuez pas de liquides inflammables étiquetés en conséquence.

Accessoires

Les performances de votre outil dépendent de l'accessoire utilisé. Les accessoires Stanley Fat Max répondent à des normes de qualité supérieures et ils sont conçus pour augmenter le niveau de performance de votre outil. L'utilisation de ces accessoires vous permet de tirer pleinement profit de votre outil.

Maintenance

Votre appareil/outil sans fil/avec fil Stanley Fat Max a été conçu pour fonctionner longtemps avec un minimum d'entretien.

Le fonctionnement continu et satisfaisant de l'outil dépend de son bon entretien et de son nettoyage régulier.

Avertissement ! Avant de procéder à la maintenance des outils électriques avec ou sans fil :

- ◆ Éteignez et débranchez l'appareil/outil.
- ◆ Ou, arrêtez l'appareil/outil et retirez-en la batterie si celui-ci est muni d'un bloc-batterie séparé.
- ◆ Ou déchargez complètement la batterie si elle est intégrée, puis éteignez l'appareil.
- ◆ Débranchez le chargeur avant de le nettoyer. Votre chargeur ne nécessite aucun entretien particulier, à l'exception d'un nettoyage régulier.
- ◆ Nettoyez régulièrement les fentes d'aération de votre appareil/outil/chargeur à l'aide d'une brosse souple ou d'un chiffon sec.
- ◆ Nettoyez régulièrement le bloc-moteur à l'aide d'un chiffon humide. N'utilisez pas de détergents abrasifs ou à base de solvants.
- ◆ Ouvrez régulièrement le mandrin et retirez la poussière à l'intérieur en le tapotant (si installé).

Remplacement de la prise secteur (RU et Irlande uniquement)

Si une nouvelle prise secteur doit être installée :

- ◆ Mettez au rebut la vieille prise.
- ◆ Raccordez le fil brun à la phase de la nouvelle prise.
- ◆ Raccordez le fil bleu au neutre.

Avertissement ! Aucun branchement ne doit être fait à la borne de terre. Suivez les instructions d'installation fournies avec les prises de bonne qualité. Fusible recommandé : 10 A.

Protection de l'environnement



Tri sélectif. Les produits et batteries marqués de ce symbole ne doivent pas être jetés avec les déchets ménagers.

Les produits et batteries contiennent des matières qui peuvent être récupérées et recyclées afin de réduire la demande en matières premières.

Veillez à recycler les produits électriques et les piles et batteries conformément aux dispositions locales en vigueur. Pour plus d'informations, consultez le site www.2helpU.com

Caractéristiques techniques

		SFMEH220 (Type 1)
Tension	V	220 - 240
Fréquence	Hz	50 - 60
Puissance absorbée	W	1010

		SFMEH220 (Type 1)
Cadence de l'impact	bpm	2900
Force de frappe (EPTA / Max)	J	8,5
Type de mandrin		SDS Max
Poids	kg	6,3

SFMEH200 Niveau de pression sonore selon la norme EN60745 :		
Pression sonore (L_{PA})	dB(A)	85
Incertitude pression sonore (K_{PA})	dB(A)	3
Puissance sonore (L_{WA})	dB(A)	96
Incertitude puissance sonore (K_{WA})	dB(A)	3
Valeur des vibrations émises ah (ciselage) :		
($a_{h,CHet}$)	m/s^2	11
Incertitude (K)	m/s^2	1,5

Déclaration de conformité CE

DIRECTIVES MACHINES



SMEH220 Marteau piqueur

Stanley Europe déclare que les produits décrits dans les "Caractéristiques techniques" sont conformes aux normes : 2006/42/CE, EN 60745-1, EN 60745-2-6

Ces produits sont également conformes aux Directives 2014/30/UE et 2011/65/UE. Pour plus de détails, veuillez contacter Stanley Europe à l'adresse suivante ou vous reporter au dos du manuel.

Le soussigné est responsable de la compilation du dossier technique et fait cette déclaration au nom de Stanley Europe.

A.P. Smith

Directeur technique

Stanley Fat Max Europe, Egide Walschaertsstraat14-18,
2800 Mechelen, Belgique
22/07/2019

Garantie

Stanley Fat Max est sûr de la qualité de ses produits et offre une garantie de 12 mois à ses clients, à partir de la date d'achat. Cette garantie s'ajoute à vos droits légaux auxquels elle ne porte aucunement préjudice.

Cette garantie est valable au sein des territoires des États membres de l'Union Européenne et au sein de la Zone européenne de libre-échange.

Pour prétendre à la garantie, la réclamation doit être en conformité avec les conditions générales de Stanley Fat Max et vous devez fournir une preuve d'achat au vendeur ou au réparateur agréé. Les conditions générales de la garantie de 1 an Stanley Fat Max ainsi que l'adresse du réparateur agréé le plus proche sont disponibles sur le site Internet www.2helpU.com ou en contactant votre agence Stanley Fat Max locale à l'adresse indiquée dans ce manuel.

Veuillez consulter notre site Internet www.stanley.eu/3 pour enregistrer votre nouveau produit Stanley Fat Max et pour être tenu informé des nouveaux produits et offres spéciales.

(Traduzione del testo originale)

ITALIANO

Use previsto

Il Martello demolitore STANLEY® FATMAX® SFMEH220 è stato progettato per applicazioni di frantumazione, scalpellatura e demolizione medio-leggera di calcestruzzo, laterizi e muratura. Questo elettro utensile è destinato all'uso professionale e privato da parte di utilizzatori non professionisti.

Istruzioni di sicurezza

Avvertenze di sicurezza generali per gli elettro utensili



Avvertenza! Leggere attentamente tutte le avvertenze e le istruzioni di sicurezza. La mancata osservanza delle avvertenze e istruzioni elencate di seguito potrebbe dar luogo a scossa elettrica, incendi e/o lesioni gravi alle persone.

Conservare tutte le avvertenze e le istruzioni per consultazioni successive. Il termine "elettro utensile" utilizzato nelle avvertenze fa riferimento sia agli utensili elettrici alimentati tramite una rete elettrica (con cavo) sia a quelli alimentati a batteria (senza cavo).

1. Sicurezza nell'area di lavoro

- Mantenere pulita e bene illuminata l'area di lavoro.** Gli ambienti disordinati o scarsamente illuminati favoriscono gli incidenti.
- Non azionare gli elettro utensili in ambienti esposti al rischio di esplosione, ad esempio in presenza di liquidi, gas o polveri infiammabili.** Gli elettro utensili generano scintille che possono incendiare le polveri o i fumi.
- Tenere lontani bambini e altre persone presenti mentre si usa un elettro utensile.**

Le distrazioni possono provocare la perdita di controllo.

2. Sicurezza elettrica

a. Le spine dell'elettrodomestico devono essere adatte alla presa di alimentazione. Non modificare la spina in alcun modo. Non collegare un adattatore alla spina di un elettrodomestico dotato di messa a terra.

Per ridurre il rischio di scossa elettrica evitare di modificare le spine e utilizzare sempre le prese appropriate.

b. Evitare il contatto con superfici collegate a terra, quali tubature, termosifoni, forni e frigoriferi. Se il proprio corpo è collegato a terra, il rischio di scossa elettrica aumenta.

c. Non esporre gli elettrodomestici alla pioggia o all'umidità. Se penetra dell'acqua all'interno dell'elettrodomestico, il rischio di scossa elettrica aumenta.

d. Non utilizzare il cavo di alimentazione in modo improprio. Non spostare, tirare o scollegare mai l'elettrodomestico dalla presa tirandolo dal cavo di alimentazione. Tenere il cavo di alimentazione lontano da fonti di calore, olio, bordi taglienti o parti in movimento. Se il cavo di alimentazione è danneggiato o impigliato, il rischio di scossa elettrica aumenta.

e. Se l'elettrodomestico viene utilizzato all'aperto, usare esclusivamente prolunghie omologate per l'impiego all'esterno. L'uso di un cavo di alimentazione adatto per esterni riduce il rischio di scossa elettrica.

f. Se non è possibile evitare di lavorare in una zona umida, collegarsi a una rete elettrica protetta da un interruttore differenziale (RCD). L'uso di un interruttore differenziale salvavita riduce il rischio di scossa elettrica.

3. Sicurezza delle persone

a. È importante concentrarsi su ciò che si sta facendo e maneggiare con giudizio l'elettrodomestico. Non utilizzare un elettrodomestico quando si è stanchi o sotto l'effetto di sostanze stupefacenti, alcool o medicinali. Un solo attimo di distrazione durante l'uso dell'elettrodomestico potrebbe provocare gravi lesioni personali.

b. Usare dispositivi di protezione individuale. Indossare sempre dispositivi di protezione per gli occhi. L'uso di dispositivi di protezione, quali mascherine antipolvere, scarpe antinfortunistiche antiscivolo, elmetti di sicurezza o protezioni per l'udito in condizioni opportune consente di ridurre le lesioni alle persone.

c. Impedire l'avviamento involontario. Assicurarsi che l'interruttore sia in posizione di spegnimento prima di collegare l'elettrodomestico alla presa elettrica e/o inserire il pacco batteria e prima di afferrare o trasportare l'elettrodomestico.

Il trasporto di elettrodomestici tenendo il dito sull'interruttore o quando sono collegati alla rete elettrica con l'interruttore nella posizione di accensione provoca incidenti.

d. Prima di accendere un elettrodomestico, rimuovere gli eventuali utensili o chiavi di regolazione. Un utensile di regolazione o una chiave inseriti in una parte rotante dell'elettrodomestico può provocare lesioni alle persone.

e. Non sbilanciarsi. Mantenere sempre un appoggio e un equilibrio adeguati. Ciò consente un migliore controllo dell'elettrodomestico nelle situazioni impreviste.

f. Indossare vestiario adeguato. Non indossare abiti lenti o gioielli. Tenere i capelli e gli indumenti lontano dalle parti in movimento. Abiti lenti, gioielli o capelli lunghi possono impigliarsi nelle parti in movimento.

g. Se i dispositivi sono forniti di collegamento con l'attrezzatura di aspirazione e raccolta delle polveri, assicurarsi che siano collegati e utilizzati correttamente. La raccolta delle polveri può ridurre i pericoli legati a queste ultime.

4. Uso e manutenzione dell'elettrodomestico

a. Non sovraccaricare l'elettrodomestico. Utilizzare un elettrodomestico adatto al lavoro da eseguire.

L'elettrodomestico lavora meglio e con maggior sicurezza se utilizzato secondo quanto è stato previsto.

b. Non utilizzare l'elettrodomestico se l'interruttore non permette l'accensione o lo spegnimento. Qualsiasi elettrodomestico che non possa essere controllato tramite l'interruttore è pericoloso e deve essere riparato.

c. Scollegare la spina dalla presa di corrente e/o la batteria dall'elettrodomestico prima di effettuare qualsiasi tipo di regolazione, cambiare gli accessori o riporlo. Queste misure di sicurezza preventive riducono il rischio di azione accidentale dell'elettrodomestico.

d. Riporre gli elettrodomestici non utilizzati fuori dalla portata dei bambini ed evitarne l'uso da parte di persone che hanno poca familiarità con l'elettrodomestico e con le presenti istruzioni. Gli elettrodomestici sono pericolosi in mano a persone inesperte.

e. Sottoporre gli elettrodomestici a regolare manutenzione. Verificare che le parti mobili siano correttamente allineate e non inceppate, che non vi siano componenti rotti e che non sussistano altre condizioni che possono compromettere il funzionamento dell'elettrodomestico. Se danneggiato, far riparare l'elettrodomestico prima dell'uso. Molti incidenti sono provocati da elettrodomestici su cui non è stata effettuata la corretta manutenzione.

f. Tenere gli utensili da taglio affilati e puliti. La manutenzione corretta degli utensili da taglio con bordi affilati riduce le probabilità di inceppamento e ne facilita il controllo.

g. **Utilizzare l'elettrotensile, gli accessori, le punte ecc., rispettando le presenti istruzioni e tenendo in considerazione le condizioni di funzionamento e il lavoro da eseguire.** L'utilizzo dell'elettrotensile per impieghi diversi da quelli previsti può dare luogo a situazioni di pericolo.

5. Assistenza

a. **L'elettrotensile deve essere riparato da personale qualificato, che utilizzi ricambi originali identici alle parti da sostituire.** In questo modo viene garantita la sicurezza dell'elettrotensile.

Avvertenze di sicurezza aggiuntive per gli elettrotensili



Avvertenza! Avvertenze di sicurezza aggiuntive per i martelli demolitori.

- ◆ **Utilizzare dispositivi di protezione per l'udito.** L'esposizione al rumore può causare la perdita dell'udito.
- ◆ **Usare le impugnature ausiliarie fornite con l'elettrotensile.** La perdita di controllo può causare lesioni alle persone.
- ◆ **Sostenere l'elettrotensile con supporti dotati di superfici di presa isolanti quando si eseguono lavorazioni in cui l'accessorio tagliente potrebbe toccare cavi elettrici nascosti o il cavo di alimentazione dell'accessorio di taglio.** Se un accessorio di taglio dovesse venire a contatto con un cavo sotto tensione trasmetterebbe la corrente elettrica anche alle parti metalliche esposte dell'elettrotensile, con il pericolo di provocare la folgorazione dell'utilizzatore
- ◆ **Accertarsi che il materiale da forare non nasconda fili elettrici o tubature del gas e che la loro posizione sia stata verificata con le aziende di erogazione.**
- ◆ **Mantenere sempre una presa salda sull'elettrotensile. Non tentare di utilizzare l'elettrotensile senza tenerlo con entrambe le mani. L'utilizzo di questo elettrotensile con una sola mano provocherà la perdita del controllo.** Anche lo sfondamento o l'impatto con materiali duri come ad esempio sbarre può essere pericoloso. Serrare bene l'impugnatura laterale prima dell'uso.
- ◆ **Prima di azionare l'elettrotensile assicurarsi che lo scalpello sia fissato in posizione.**
- ◆ **In condizioni di basse temperature o quando l'elettrotensile non viene utilizzato da tempo, lasciarlo funzionare a vuoto per diversi minuti prima dell'uso.**
- ◆ **Quando si lavora sotto il livello del suolo assicurarsi che l'area sottostante sia libera.**

- ◆ **Non toccare lo scalpello o le parti vicine ad esso subito dopo l'uso in quanto potrebbero essere estremamente calde e provocare ustioni sulla pelle.**
- ◆ **Dirigere sempre il cavo di alimentazione verso la parte posteriore dell'elettrotensile, lontano dallo scalpello.**
- ◆ **Non utilizzare questo utensile per periodi prolungati. Le vibrazioni generate dall'azionamento dell'apparato potrebbero risultare dannose alle mani e alle braccia.** Indossare dei guanti per ammortizzare ulteriormente la vibrazione e limitare l'esposizione facendo pause frequenti.

Sicurezza altrui

- ◆ Questo prodotto non è destinato per l'uso da parte di persone (compresi i bambini) con capacità fisiche, sensoriali o mentali ridotte, o prive di esperienza e conoscenza, a meno che siano sorvegliate o abbiano ottenuto istruzioni riguardo all'uso dell'elettrotensile da parte di una persona responsabile della loro sicurezza.
- ◆ I bambini devono essere sorvegliati per assicurarsi che non giochino con l'apparecchio.

Rischi residui.

L'utilizzo dell'elettrotensile può comportare rischi residui non necessariamente riportati nelle presenti avvertenze di sicurezza. Tali rischi possono sorgere a seguito di un uso prolungato o improprio, ecc.

Malgrado l'applicazione delle principali regole di sicurezza e l'implementazione di dispositivi di sicurezza, alcuni rischi residui non possono essere evitati. Sono inclusi:

- ◆ lesioni causate o subite a seguito del contatto con parti rotanti/in movimento;
- ◆ lesioni causate o subite durante la sostituzione di parti, lame o accessori;
- ◆ lesioni causate dall'impiego prolungato di un elettrotensile. (quando si utilizza qualsiasi utensile per lunghi periodi, accertarsi di fare regolarmente delle pause);
- ◆ menomazioni uditive;
- ◆ rischi per la salute causati dall'aspirazione di polvere generata dall'utilizzo dell'elettrotensile (ad esempio quando si lavora con il legno, in modo particolare quello di quercia, faggio o l'MDF).

Vibrazione

I valori di emissione di vibrazione dichiarati al capitolo "Dati tecnici" e nella Dichiarazione di conformità nel presente manuale sono stati misurati secondo una procedura standardizzata prevista dalla norma EN 60745 e possono essere usati per mettere a confronto elettrotensili diversi. Il valore di emissione di vibrazione dichiarato può anche essere usato per una valutazione preliminare dell'esposizione.

Avvertenza! Il valore di emissione di vibrazione durante l'impiego effettivo dell'elettrotensile può variare da quello dichiarato a seconda delle modalità d'uso. Il livello di vibrazione può aumentare oltre quello dichiarato.

Quando si valuta l'esposizione alla vibrazione per determinare le misure di sicurezza richieste dalla norma 2002/44/CE destinata alla protezione delle persone che utilizzano regolarmente elettrotensili per lo svolgimento delle proprie mansioni, è necessario prendere in considerazione le condizioni effettive di impiego e il modo in cui l'elettrotensile viene usato, oltre che tenere conto di tutte le componenti del ciclo operativo, vale a dire i periodi in cui l'elettrotensile rimane spento, quelli in cui è acceso ma fermo e quelli in cui viene effettivamente utilizzato.

Etichette sull'elettrotensile

Sull'elettrotensile sono presenti i seguenti pittogrammi, insieme al codice data:



Avvertenza! Per ridurre il rischio di lesioni personali, leggere attentamente il manuale di istruzioni.



Indossare occhiali di sicurezza.



Utilizzare dispositivi di protezione per l'udito.

Sicurezza elettrica



Questo elettrotensile possiede un doppio isolamento, perciò non è necessario il collegamento a terra. Verificare sempre che l'alimentazione corrisponda alla tensione riportata sulla targhetta dei valori nominali.

- ◆ Per prevenire pericoli, i cavi di alimentazione danneggiati devono essere sostituiti dal produttore o da un Centro di assistenza Stanley Fat Max autorizzato.

Utilizzo di un cavo di prolunga

Usare sempre un cavo di prolunga omologato, adatto alla presa di ingresso del caricabatterie (vedere la sezione "Dati tecnici"). Il cavo di prolunga deve essere idoneo per l'impiego all'esterno e deve essere opportunamente contrassegnato. È possibile usare un cavo di prolunga lungo fino a 30 m con diametro di 1,5 mm² HO5VV-F senza alcuna perdita di prestazioni del prodotto. Prima dell'impiego, ispezionare il cavo di prolunga per accertarsi che non presenti segni di danneggiamento, usura o invecchiamento. Sostituire il cavo di prolunga se è danneggiato o difettoso. Se si utilizza un avvolgicavo, estrarre il cavo per l'intera lunghezza.

Caratteristiche

Questo elettrotensile presenta alcune o tutte le seguenti caratteristiche.

1. Impugnatura laterale
2. Interruttore
3. Copri-fusto
4. Portapunta SDS MAX
5. Ingresso di iniezione olio lubrificante

Uso

Avvertenza! Prima di tentare di eseguire una qualsiasi delle seguenti operazioni, assicurarsi che l'elettrotensile sia spento e scollegato dalla presa di corrente.

Accensione e spegnimento (Fig. A)

- ◆ Per azionare l'elettrotensile premere l'interruttore (2) e ruotarlo nella posizione di accensione ("ON").
- ◆ Per arrestare l'elettrotensile ruotare l'interruttore (2) nella posizione di spegnimento ("OFF") e rilasciarlo.

Montaggio dell'impugnatura laterale (Fig. B)

L'impugnatura laterale (1) consente di usare l'elettrotensile da utilizzatori sia destrorsi che mancini.

Avvertenza! Non utilizzare l'elettrotensile se l'impugnatura laterale non è correttamente assemblata.

- ◆ Allentare l'impugnatura laterale.
- ◆ Per gli utilizzatori destrorsi: fare scorrere il morsetto dell'impugnatura laterale sul collare, dietro il portautensile, posizionando l'impugnatura a sinistra. Per gli utilizzatori mancini: fare scorrere il morsetto dell'impugnatura laterale sul collare, dietro il portautensile, posizionando l'impugnatura a destra.
- ◆ Ruotare l'impugnatura laterale nella posizione desiderata e stringerla agendo sull'impugnatura.

Inserimento e rimozione degli accessori SDS Max (Figg. C e D)

Questo elettrotensile utilizza accessori SDS Max (vedere la sezione trasversale del codolo di una punta SDS Max nella Figura D). Si raccomanda di adoperare esclusivamente accessori professionali.

- ◆ Pulire e ingrassare il codolo della punta.
- ◆ Inserire il codolo della punta nel mandrino portautensile/manicotto di bloccaggio (4).
- ◆ Spingere giù la punta e ruotarla leggermente, finché si inserisce nelle scanalature.
- ◆ Tirare la punta per verificare che sia correttamente bloccata. Per il funzionamento a percussione si rende necessario che la punta possa muoversi di alcuni centimetri lungo il proprio asse, dopo essere stata fissata nel portapunta.

- ◆ Per rimuovere una punta tirare indietro il mandrino portautensile/manicotto di bloccaggio (4), come illustrato nella Figura C, ed estrarre la punta.

Avvertenza! Quando si cambiano gli accessori indossare sempre dei guanti. Le parti metalliche esposte dell'elettrotensile e dell'accessorio possono diventare estremamente calde durante l'uso.

Frantumazione e scalpellatura (Fig. E)

- ◆ Inserire lo scalpello appropriato (non fornito in dotazione) nella posizione corretta.
- ◆ Regolare l'impugnatura laterale (1) in base alla necessità.
- ◆ Accendere l'elettrotensile e iniziare a lavorare.
- ◆ Spegnerne sempre l'apparato al termine del lavoro e prima di disinserire la spina.
- ◆ Attenersi sempre alle istruzioni di sicurezza e alle normative in vigore.
- ◆ Essere consapevoli della posizione di tubature e cavi elettrici.
- ◆ Esercitare solo una leggera pressione sull'elettrotensile (circa 5 kg). L'applicazione di una pressione eccessiva non velocizza la scalpellatura, ma riduce le prestazioni dell'elettrotensile abbreviando la sua vita utile.
- ◆ Tenere sempre l'elettrotensile con entrambe le mani e assicurarsi di assumere una posizione stabile. Utilizzare sempre l'elettrotensile con l'impugnatura laterale assemblata correttamente.

Corretto posizionamento delle mani (Fig. F)

Avvertenza! Per ridurre il rischio di gravi lesioni personali, tenere le mani SEMPRE nella posizione corretta, come illustrato.

Avvertenza! Per ridurre il rischio di lesioni personali gravi, mantenere SEMPRE l'elettrotensile con presa sicura per prevenire reazioni improvvise. La posizione corretta delle mani prevede una mano sull'impugnatura anteriore (1), e l'altra mano sull'impugnatura principale.

Avvertenza! Non usare questo elettrotensile per miscelare o pompare liquidi facilmente infiammabili o esplosivi (benzina, alcol, ecc.). Non miscelare o agitare liquidi infiammabili etichettati in modo conforme.

Accessori

Le prestazioni dell'elettrotensile dipendono dall'accessorio usato. Gli accessori Stanley FatMax sono fabbricati secondo standard qualitativi elevati e sono stati progettati per ottenere le migliori prestazioni dall'elettrotensile. Utilizzando questi accessori si otterrà il meglio dall'elettrotensile.

Manutenzione

Questo elettrotensile Stanley Fat Max con cavo/senza cavo è stato progettato per funzionare a lungo con una manutenzione minima.

Prestazioni sempre soddisfacenti dipendono da una cura appropriata e da una pulizia regolare.

Avvertenza! Prima di eseguire interventi di manutenzione su elettrotensili con o senza filo procedere come descritto di seguito.

- ◆ Spegnerne e scollegare l'apparecchio/elettrotensile dalla presa elettrica.
- ◆ Oppure spegnere ed estrarre la batteria, se l'elettrodomestico/elettrotensile è dotato di una batteria separata.
- ◆ Oppure scaricare completamente la batteria se è di tipo integrale e quindi spegnerlo.
- ◆ Scollegare il caricabatterie dalla spina prima di pulirlo. Il caricabatterie non richiede nessuna manutenzione, salvo una regolare pulizia.
- ◆ Pulire regolarmente le prese di ventilazione dell'apparecchio/elettrotensile/caricabatterie con un pennello morbido o un panno asciutto.
- ◆ Il vano del motore deve essere pulito regolarmente con un panno umido. Non usare materiali abrasivi o detergenti a base di solventi.
- ◆ Aprire regolarmente il mandrino (se in dotazione) e batterlo leggermente per eliminare la polvere dall'interno.

Sostituzione della spina (solo Regno Unito e Irlanda)

Se dovesse essere necessario installare una nuova spina:

- ◆ smaltire in tutta sicurezza quella vecchia.
- ◆ Collegare il conduttore marrone al terminale sotto tensione nella nuova spina.
- ◆ Collegare il conduttore blu al terminale neutro.

Avvertenza! Non deve essere effettuato alcun collegamento al terminale di messa a terra. Seguire le istruzioni di montaggio fornite con le spine di buona qualità. Fusibile raccomandato: 10 A.

Protezione dell'ambiente



Raccolta differenziata. I prodotti e le batterie contrassegnati con questo simbolo non devono essere smaltiti con i rifiuti domestici normali.

Prodotti e batterie contengono materiali che possono essere recuperati o riciclati, riducendo la richiesta di materie prime. Riciclare i prodotti elettrici e le batterie attenendosi alle disposizioni locali vigenti. Ulteriori informazioni sono disponibili all'indirizzo www.2helpU.com.

Dati tecnici

		SFMEH220 (Tipo 1)
Tensione	V	220 - 240
Frequenza	Hz	50 - 60
Potenza assorbita	W	1010
Forza di percussione	colpi/ min	2900
Energia del colpo (EPTA / max)	J	8,5
Tipo di mandrino portapunta		SDS Max
Peso	kg	6,3

SFMEH200 Livello di pressione sonora misurato in base alla norma EN60745:		
Livello di pressione sonora (L_{wa})	dB(A)	85
Incertezza livello di pressione sonora (K_{wa})	dB(A)	3
Livello di potenza sonora (L_{wA})	dB(A)	96
Incertezza livello di potenza sonora (K_{wA})	dB(A)	3
Valore di emissione di vibrazione ah (scappellatura)		
($a_{h,Cshet}$)	m/s^2	11
Incertezza (K)	m/s^2	1,5

Dichiarazione di conformità CE

DIRETTIVA MACCHINE



SMEH220 - Martello demolitore

Stanley Europe dichiara che questi prodotti descritti al paragrafo "Dati tecnici" sono conformi a:

2006/42/CE, EN 60745-1, EN 60745-2-6

Questi prodotti sono anche conformi alle Direttive 2014/30/UE e 2011/65/UE. Per ulteriori informazioni contattare Stanley Europe al seguente indirizzo oppure consultare l'ultima di copertina del manuale.

Il sottoscritto è responsabile della redazione di questo documento tecnico e rilascia questa dichiarazione per conto di Stanley Europe.

A.P. Smith

Direttore tecnico

Stanley Fat Max Europe, Egide Walschaertsstraat 14-18,
2800 Mechelen, Belgio
22/07/2019

Garanzia

Stanley FatMax è sicura della qualità dei propri prodotti e offre ai consumatori una garanzia di 12 mesi dalla data di acquisto. Il presente certificato di garanzia è complementare ai diritti legali e non li pregiudica in alcun modo. La garanzia è valida nei territori degli Stati membri dell'Unione Europea e dell'EFTA (Associazione europea di libero scambio).

Per attivare la garanzia, il reclamo deve essere effettuato in accordo con i Termini e condizioni Stanley FatMax e sarà necessario presentare la prova di acquisto al venditore o al riparatore autorizzato. I Termini e condizioni della garanzia Stanley FatMax di 1 anno e la sede del tecnico riparatore autorizzato più vicino sono consultabili online sul sito web www.2helpU.com oppure contattando la sede Stanley FatMax di zona all'indirizzo indicato in questo manuale.

Visitare il nostro sito web www.stanley.eu/3 per registrare il prodotto Stanley FatMax appena acquistato e ricevere gli aggiornamenti sui nuovi prodotti e le offerte speciali.

(Vertaling van de originele instructies)

Bedoeld gebruik

STANLEY® FATMAX® SFMEH220 Sloophamer is ontworpen voor licht of middelzwaar hakken, beitelen in en slopen van beton, baksteen metselwerk. Dit gereedschap is bedoeld voor professioneel gebruik en voor privé-gebruik, niet-professioneel.

Veiligheidsinstructies

Algemene veiligheidswaarschuwingen voor elektrisch gereedschap



Waarschuwing! Lees alle veiligheidsinstructies en alle instructies. Wanneer de volgende waarschuwingen en voorschriften niet in acht worden genomen, kan dit een elektrische schok, brand of ernstig letsel tot gevolg hebben.

Bewaar alle waarschuwingen en instructies als referentiemateriaal. De hierna gebruikte term 'elektrisch gereedschap' in alle waarschuwingen die hieronder worden vermeld, heeft betrekking op elektrisch gereedschap voor gebruik op netspanning (met netsnoer) of met een accu (snoerloos).

1. Veilige werkomgeving

- Houd uw werkomgeving schoon en goed verlicht.** Op rommelige of donkere plekken zullen sneller ongelukken gebeuren.
- Werk niet met elektrisch gereedschap in een omgeving met explosiegevaar, zoals in de nabijheid van brandbare vloeistoffen, gasen of stof.**

Elektrisch gereedschap veroorzaakt vonken die het stof of de dampen kunnen doen ontbranden.

- c. **Houd kinderen en omstanders tijdens het gebruik van elektrisch gereedschap op afstand.** Als u wordt afgeleid, kunt u de controle over het gereedschap verliezen.

2. Elektrische veiligheid

- a. **De netstekker van het elektrisch gereedschap moet in het stopcontact passen. Pas de stekker nooit op enige manier aan. Gebruik geen adapterstekkers in combinatie met geaard elektrisch gereedschap.**

Niet-aangepaste stekkers en passende contactdozen verminderen het risico van een elektrische schok.

- b. **Vermijd aanraking van het lichaam met geaarde oppervlakken, bijvoorbeeld buizen, verwarmingen, fornuizen en koelkasten.** Er bestaat een verhoogd risico van een elektrische schok als uw lichaam contact heeft met aarde.
- c. **Stel elektrisch gereedschap niet bloot aan regen en vocht.** Als er water in elektrisch gereedschap binnendringt, verhoogt dit het risico van een elektrische schok.
- d. **Behandel het snoer voorzichtig. Gebruik het snoer nooit om het elektrisch gereedschap te dragen of naar u toe te trekken, of de stekker uit het stopcontact te halen. Houd het snoer uit de buurt van warmtebronnen, olie, scherpe randen, of bewegende onderdelen.** Beschadigde snoeren of snoeren die in de war zijn geraakt, verhogen het risico van een elektrische schok.
- e. **Gebruik, wanneer u buitenshuis met elektrisch gereedschap werkt, alleen verlengsnoeren die zijn goedgekeurd voor gebruik buitenshuis.** Het gebruik van een verlengsnoer dat geschikt is voor buiten vermindert het risico van een elektrische schok.
- f. **Als u met elektrisch gereedschap werkt op een vochtige locatie, gebruik dan een aardlekschakelaar (RCD).** Het gebruik van een aardlekschakelaar vermindert het risico van een elektrische schok.

3. Persoonlijke veiligheid

- a. **Blijf alert, let goed op wat u doet en ga met verstand te werk bij het gebruik van elektrisch gereedschap. Gebruik elektrisch gereedschap niet als u vermoeid bent of onder de invloed van drugs, alcohol of medicatie bent.** Een moment van onoplettendheid tijdens het werken met elektrisch gereedschap kan leiden tot ernstig persoonlijk letsel.
- b. **Draag persoonlijke beschermende uitrusting. Draag altijd oogbescherming.**

Beschermende uitrusting, zoals een stofmasker, antislip veiligheidsschoenen, een helm, of gehoorbescherming, gebruikt in de juiste omstandigheden, zal het risico op persoonlijk letsel verminderen.

- c. **Voorkom per ongeluk inschakelen. Controleer dat de schakelaar in de uit-stand staat voordat u het gereedschap aansluit op het stopcontact en/of de accu plaatst en voordat u het gereedschap optilt of gaat dragen.** Het dragen van elektrisch gereedschap met uw vinger op de schakelaar of het aanzetten van elektrisch gereedschap waarvan de schakelaar aan staat, kan leiden tot ongelukken.
 - d. **Verwijder stelsleutels of steeksleutels voordat u het elektrisch gereedschap inschakelt.** Een steeksleutel of een inbussleutel in een draaiend deel van het elektrisch gereedschap kan tot persoonlijk letsel leiden.
 - e. **Reik niet buiten uw macht. Blijf altijd stevig en in balans op de grond staan.** Dit geeft u betere controle over het elektrisch gereedschap in onverwachte situaties.
 - f. **Draag geschikte kleding. Draag geen loszittende kleding of sieraden. Houd uw haar, kleding en handschoenen uit de buurt van bewegende onderdelen.** Loszittende kleding, sieraden of lang haar kunnen door bewegende delen worden gegrepen.
 - g. **Als voorzieningen voor stofafzuiging of stofopvang kunnen worden gemonteerd, controleer dan dat deze zijn aangesloten en op de juiste wijze worden gebruikt.** Het gebruik van stofafzuiging kan aan stof gerelateerde gevaren verminderen.
- ## 4. Gebruik en onderhoud van elektrisch gereedschap
- a. **Overbelast het elektrisch gereedschap niet. Gebruik het juiste elektrisch gereedschap voor uw toepassing.** Met het juiste elektrisch gereedschap kunt u de werkzaamheden waarvoor het gereedschap is ontworpen, beter en veiliger uitvoeren.
 - b. **Gebruik het elektrisch gereedschap niet als de schakelaar niet goed werkt.** Ieder elektrisch gereedschap dat niet met de schakelaar kan worden bediend, is gevaarlijk en moet worden gerepareerd.
 - c. **Trek de stekker uit het stopcontact en/of de accu uit het elektrisch gereedschap voordat u het gereedschap instelt, accessoires wisselt of het elektrisch gereedschap opbergt.** Dergelijke preventieve veiligheidsmaatregelen verminderen het risico dat het elektrisch gereedschap per ongeluk wordt gestart.
 - d. **Bewaar elektrisch gereedschap dat niet wordt gebruikt, buiten bereik van kinderen. Laat niet personen die er niet vertrouwd mee zijn en deze aanwijzingen niet hebben gelezen met het gereedschap werken.** Elektrisch gereedschap is gevaarlijk in handen van ongetrainde gebruikers.

- e. **Onderhoud het gereedschap goed. Controleer dat bewegende delen van het elektrisch gereedschap wel goed functioneren en niet klemmen, en dat er niet onderdelen zodanig zijn gebroken of beschadigd dat de werking van het gereedschap nadelig wordt beïnvloed. Laat het gereedschap voor gebruik repareren als het beschadigd is.** Veel ongelukken worden veroorzaakt door slecht onderhouden elektrisch gereedschap.
 - f. **Houd zaag- en snijgereedschap scherp en schoon.** Goed onderhouden zaaggereedschap met scherpe snijvlakken loopt minder snel vast en is gemakkelijker onder controle te houden.
 - g. **Gebruik elektrisch gereedschap, accessoires, zaagjes en boortjes, enz., volgens deze aanwijzingen. Let daarbij op de arbeidsomstandigheden en de uit te voeren werkzaamheden.** Gebruik van het elektrisch gereedschap voor werkzaamheden die anders zijn dan bedoeld, kan leiden tot een gevaarlijke situatie.
5. **Service**
- a. **Laat het gereedschap alleen repareren door gekwalificeerd en vakkundig personeel en alleen met originele vervangingsonderdelen.** De veiligheid van het gereedschap blijft dan gewaarborgd.

Aanvullende veiligheidswaarschuwingen voor elektrisch gereedschap



Waarschuwing! Aanvullende veiligheidswaarschuwingen voor sloophamers.

- ◆ **Draag gehoorbescherming.** Blootstelling aan lawaai kan gehoorverlies veroorzaken.
- ◆ **Gebruik de extra handgrepen die bij het gereedschap worden geleverd.** Verlies van controle kan leiden tot persoonlijk letsel.
- ◆ **Houd het gereedschap alleen vast aan geïsoleerde oppervlakken als u een handeling uitvoert waarbij het accessoire van het zaaggereedschap in contact kan komen met verborgen bedrading of het eigen netsnoer.** Accessoires van elektrisch gereedschap die in contact komen met bedrading waar spanning op staat, kunnen metalen onderdelen van het gereedschap onder stroom zetten en de gebruiker een elektrische schok geven
- ◆ **Controleer grondig dat er in het materiaal waarin u boort, geen elektrische leidingen of gasleidingen bevinden en vraag na bij het bedrijf dat gas en electra levert waar deze leidingen liggen.**
- ◆ **Houd het gereedschap te allen tijde stevig vast.** Probeer niet te werken met dit gereedschap zonder het met beide handen vast te houden.

Wanneer u dit gereedschap met één hand bedient zal dat leiden tot verlies van controle. Ook kan het gevaarlijk zijn bij het doorbreken van of stuiten op harde materialen zoals betonijzer. Draai voor gebruik de zijhandgreep stevig vast.

- ◆ **Controleer dat de beitel goed vastzit, voor u met het gereedschap gaat werken.**
- ◆ **Laat het gereedschap bij koud weer of wanneer het gereedschap langere tijd niet is gebruikt, vóór gebruik een aantal minuten onbelast draaien.**
- ◆ **Werk u boven grondniveau let er dan op dat het gebied eronder vrij is.**
- ◆ **Raak de beitel of de delen dicht bij de beitel niet onmiddellijk na het boren aan, omdat zij zeer heet kunnen zijn en brandwonden op de huid kunnen veroorzaken.**
- ◆ **Houd het snoer altijd naar achteren gericht en van de beitel verwijderd.**
- ◆ **Werk niet lange tijd achtereen met dit gereedschap.** Trilling die wordt veroorzaakt door de slagboorwerking van het gereedschap kunnen schadelijk zijn voor uw handen en armen. Draag handschoenen zodat de trillingen worden opgevangen en beperk de blootstelling door regelmatig rustperiodes in te lassen.

Veiligheid van anderen

- ◆ Het is niet de bedoeling dat dit apparaat wordt gebruikt door personen (waaronder kinderen) met verminderde fysieke, zintuiglijke of psychische vermogens, of met een gebrek aan ervaring en kennis, tenzij onder toezicht van of met aanwijzingen over het gebruik van het apparaat door een persoon die verantwoordelijk is voor hun veiligheid.
- ◆ Er moet op worden toegezien dat kinderen niet met het apparaat spelen.

Overige risico's.

Er kunnen zich bij het gebruik van dit gereedschap nog meer risico's voordoen, die mogelijk niet in de bijgesloten veiligheidswaarschuwingen worden beschreven. Deze risico's kunnen zich voordoen door onoordeelkundig gebruik, langdurig gebruik, enz.

Zelfs wanneer de veiligheidsvoorschriften in acht worden genomen en de veiligheidsvoorzieningen worden gebruikt, kunnen bepaalde risico's niet worden uitgesloten. Dit zijn onder meer:

- ◆ Verwondingen die worden veroorzaakt door het aanraken van draaiende of bewegende onderdelen.
- ◆ Verwondingen die worden veroorzaakt bij het vervangen van onderdelen, bladen of accessoires.
- ◆ Letsel dat wordt veroorzaakt door langdurig gebruik van gereedschap.

Wanneer u langere periodes met gereedschap werkt, kunt u het beste regelmatig een pauze nemen.

- ◆ Gehoorbeschadiging.
- ◆ Gezondheidsrisico's als gevolg van het inademen van stof dat door gebruik van het gereedschap wordt veroorzaakt (bijvoorbeeld tijdens het werken met hout, met name eiken, beuken en MDF).

Trillingen

De aangegeven waarden voor trillingsemissie in de technische gegevens en de conformiteitsverklaring, zijn gemeten conform een standaardtestmethode die door EN 60745 wordt verstrekt. Hiermee kan het ene gereedschap met het andere worden vergeleken. De aangegeven waarde voor trillingsemissie kan ook worden gebruikt bij een voorlopige bepaling van blootstelling.

Waarschuwing! De waarde voor trillingsemissie tijdens het werkelijke gebruik van het elektrisch gereedschap kan verschillen van de aangegeven waarde afhankelijk van de manieren waarop het gereedschap wordt gebruikt. Het trillingsniveau kan toenemen tot boven het aangegeven niveau.

Bij beoordeling van de blootstelling aan trillingen met het doel vast te stellen welke veiligheidsmaatregelen 2002/44/EG vereist ter bescherming van personen die tijdens hun werk regelmatig elektrisch gereedschap gebruiken, moet bij een inschatting van de blootstelling aan trillingen rekening worden gehouden met de werkelijke gebruiksomstandigheden en de manier waarop het gereedschap wordt gebruikt. Daarbij moet ook rekening worden gehouden met alle onderdelen van de bedrijfscyclus, zoals wanneer het gereedschap wordt uitgeschakeld en wanneer het gereedschap stationair loopt en ook de aanlooptijd.

Etiketten op het gereedschap

Naast de datumcode is het gereedschap voorzien van de volgende symbolen:



Waarschuwing! De gebruiker moet de instructiehandleiding lezen zodat het risico van letsel wordt beperkt.



Draag een veiligheidsbril of oogbescherming.



Draag gehoorbescherming.

Elektrische veiligheid



Dit gereedschap is dubbel geïsoleerd. Een aardeaansluiting is daarom niet nodig. Controleer altijd dat de stroomvoorziening overeenkomt met de voltage op het typeplaatje.

- ◆ Als het netsnoer is beschadigd moet dit worden vervangen door de fabrikant of door een officieel Stanley Fat Max-servicecentrum, zodat ongelukken worden voorkomen.

Een verlengsnoer gebruiken

Gebruik altijd een goedgekeurd verlengsnoer dat geschikt is voor het ingangsvermogen van dit apparaat (zie de technische gegevens). Het verlengsnoer moet geschikt zijn voor gebruik buitenshuis en dat moet erop zijn vermeld. Er kan een HO5VV-F verlengsnoer van 1,5 mm² van maximaal 30 m lang worden gebruikt zonder dat de prestaties van het apparaat afnemen. Controleer het verlengsnoer vóór gebruik op tekenen van beschadiging, slijtage of veroudering. Vervang het verlengsnoer als het beschadigd of defect is. Rol het snoer altijd volledig af, wanneer u een haspel gebruikt.

Functies

Dit gereedschap is voorzien van enkele of alle van de volgende functies.

1. Zijhandgreep
2. Schakelaar
3. Afdekking van de loop
4. SDS MAX boorkop
5. Ingang voor insputting smeerolie

Gebruik van het apparaat

Waarschuwing! Vóór het uitvoeren van de volgende werkzaamheden moet het gereedschap zijn uitgeschakeld en de stekker uit het stopcontact zijn getrokken.

In- en uitschakelen (Afb. A)

- ◆ U schakelt het gereedschap in door op de schakelaar (2) te drukken en de schakelaar in de stand 'ON' te draaien.
- ◆ U kunt het gereedschap stoppen door de schakelaar (2) in de stand 'OFF' te draaien en los te laten.

De zijhandgreep bevestigen (Afb. B)

De zijhandgreep (1) kan worden gemonteerd voor zowel rechts- als linkshandige gebruikers.

Waarschuwing! Gebruik het gereedschap niet als de zijhandgreep niet op de juiste wijze is gemonteerd.

- ◆ Draai de zijhandgreep los.
- ◆ Voor rechtshandige gebruikers: Schuif de klem van de zijhandgreep over de kraag achter de gereedschapshouder, handgreep aan de linkerzijde. Voor linkshandige gebruikers: Schuif de klem van de zijhandgreep over de kraag achter de gereedschapshouder, handgreep aan de rechterzijde.
- ◆ Draai de zijhandgreep in de gewenste stand en zet de handgreep vast.

SDS Max-accessoires plaatsen en verwijderen (Afb. C, D)

Dit gereedschap maakt gebruik van SDS Max-accessoires (afbeelding D geeft een doorsnede van een SDS Max-bit-schacht). Wij adviseren u alleen professionele accessoires te gebruiken.

- ◆ Reinig en smeer de bit-schacht.
- ◆ Steek de bit-schacht in de bit-houder/gereedschapshouder (4).
- ◆ Duw de bit omlaag en draai het licht tot het in de sleuven past.
- ◆ Controleer dat de bit goed is vergrendeld door eraan te trekken. Voor de boorhamerfunctie moet de bit enkele centimeters axiaal kunnen bewegen wanneer het is vergrendeld in de gereedschapshouder.
- ◆ U kunt het boortje uitnemen door de gereedschapshouder/vergrendelingskraag (4) naar achteren, zoals wordt afgebeeld in afbeelding C en de bit uit te trekken.

Waarschuwing! Draag altijd handschoenen wanneer u accessoires verwijdt. De blootgestelde metalen delen van het gereedschap en accessoires kunnen uitermate heet worden tijdens het gebruik.

Afbikken en beitelen (Afb. E)

- ◆ Steek de geschikte beitel (niet meegeleverd) in de juiste stand.
- ◆ Pas de stand van de zijhandgreep (1) aan, als dat nodig is.
- ◆ Schakel het gereedschap in en start de werkzaamheden.
- ◆ Schakel het gereedschap altijd uit wanneer het werk is voltooid en voor u de stekker uit het stopcontact trekt.
- ◆ Houd u altijd aan de veiligheidsinstructies en van toepassing zijnde voorschriften.
- ◆ Houd rekening met de locatie van leidingwerk en bedrading.
- ◆ Oefen slechts lichte druk op het gereedschap uit (ongev. 5 kg). Al te veel kracht versnelt het hakken niet maar maakt dat het gereedschap minder goed presteert en minder lang meegaat.
- ◆ Houd het apparaat altijd met beide handen vast en blijf vooral stevig staan. Werk altijd met het gereedschap met de zijhandgreep op de juiste wijze gemonteerd.

Juiste handpositie (Afb. F)

Waarschuwing! Beperk het risico van ernstig persoonlijk letsel, houd de handen ALTIJD in de juiste positie, zoals afgebeeld.

Waarschuwing! Beperk het risico van ernstig persoonlijk letsel, houd het gereedschap ALTIJD stevig vast, zodat u bent voorbereid op een plotseling reactie. Voor een juiste positie van de handen zet u één hand op de zijhandgreep (1) en de andere op de hoofdhandgreep.

Waarschuwing! Meng of pomp met dit gereedschap niet vloeistoffen die gemakkelijk ontbranden of explosief zijn (benzine, alcohol, enz.). Meng of roer geen brandbare vloeistoffen die als zodanig zijn gelabeld.

Accessoires

De prestaties van het gereedschap zijn afhankelijk van de gebruikte accessoires. Accessoires van Stanley Fat Max zijn ontworpen om aan hoge kwaliteitsnormen te voldoen en de prestaties van uw gereedschap te verhogen. Door middel van deze accessoires kunt u uw gereedschap nog beter laten presteren.

Onderhoud

Uw Stanley Fat Max-gereedschap/-apparaat (met netsnoer/snoerloos) is ontworpen om gedurende langere tijd te functioneren met een minimum aan onderhoud. Het continu naar tevredenheid functioneren hangt af van de juiste zorg voor het gereedschap en regelmatig schoonmaken.

Waarschuwing! Ga als volgt te werk voor u onderhoud aan het elektrisch gereedschap (met snoer/snoerloos) uitvoert:

- ◆ Schakel het gereedschap/apparaat uit en trek de stekker uit het stopcontact.
- ◆ Als het gereedschap/apparaat een afzonderlijke accu heeft, schakelt u het gereedschap/apparaat uit en haalt u de accu eruit.
- ◆ Als de accu is ingebouwd, laat u deze volledig ontladen. Schakel dan het apparaat uit.
- ◆ Neem de lader uit het stopcontact voordat u deze schoonmaakt. Behalve regelmatige reiniging vraagt de lader geen onderhoud.
- ◆ Reinig regelmatig de ventilatiesleuven van het gereedschap/apparaat/lader met een zachte borstel of droge doek.
- ◆ Reinig de behuizing van de motor regelmatig met een vochtige doek. Gebruik niet een schurend schoonmaakmiddel of een schoonmaakmiddel op basis van een oplosmiddel.
- ◆ Open regelmatig de boorkop en verwijder stof eruit door erop te tikken (wanneer een boorkop is gemonteerd).

Netstekker vervangen (alleen VK en Ierland)

Als er een nieuwe netstekker moet worden gemonteerd:

- ◆ Gooi de oude stekker op verantwoorde wijze weg.
- ◆ Verbind de bruine draad met de spannings-/faseaansluiting in de nieuwe stekker.
- ◆ Verbind de blauwe draad met de nulaansluiting.

Waarschuwing! Er moet geen verbinding tot stand worden gebracht met de aardeaansluiting. Volg de montage-instructies die bij stekkers van goede kwaliteit worden geleverd. Aanbevolen zekering: 10 A.

Het milieu beschermen



Gescheiden afvalinzameling. Producten en accu's waarop dit symbool is aangebracht, mogen niet bij het normale huishoudafval worden weggegooid.

Producten en accu's bevatten materialen die kunnen worden teruggewonnen of gerecycled en dat doet de vraag naar grondstoffen afnemen.

Recycle elektrische producten en accu's volgens de ter plaatse geldende bepalingen. Nadere informatie is beschikbaar op www.2helpU.com

Technische gegevens

		SFMEH220 (Type 1)
Spanning	V	220 - 240
Frequentie	Hz	50 - 60
Vermogen	W	1010
Slagsnelheid	spm	2900
Slagkracht (EPTA / Max)	J	8,5
Boorkoptype		SDS Max
Gewicht	kg	6,3

SFMEH200 Geluidsdrukkniveau volgens EN60745:		
Geluidsdruk (L_{pA})	dB(A)	85
Geluidsdruk onzekerheid (K_{pA})	dB(A)	3
Geluidsvermogen (L_{wA})	dB(A)	96
Geluidsvermogen onzekerheid (K_{wA})	dB(A)	3
Waarde trillingsemissie ah (Beitelen):		
($a_{h,CHet}$)	m/s ²	11
Onzekerheid (K)	m/s ²	1,5

EG conformiteitsverklaring

RICHTLIJN VOOR MACHINES



SMEH220 Sloop hamer

Stanley Europe verklaart dat deze producten, beschreven onder "Technische gegevens", voldoen aan:

2006/42/EG, EN 60745-1, EN 60745-2-6

Deze producten voldoen tevens aan richtlijn 2014/30/EU en 2011/65/EU. Neem voor meer informatie contact op met Stanley Europe op het volgende adres of raadpleeg de achterzijde van de handleiding.

Ondergetekende is verantwoordelijk voor de compilatie van het technische bestand en geeft deze verklaring namens Stanley Europe af.

A.P. Smith
Technical Director

Stanley Fat Max Europe, Egide Walschaertsstraat14-18,
2800 Mechelen, België
22/07/2019

Garantie

Stanley Fat Max heeft vertrouwen in zijn producten en biedt consumenten een garantie van 12 maanden vanaf de datum van aankoop. Deze garantie vormt een aanvulling op uw wettelijke rechten en beperken deze niet. De garantie is geldig op het grondgebied van de Lidstaten van de Europese Unie en de Europese Vrijhandelszone.

Voor een garantie-aanspraak moet uw aanspraak in overeenstemming zijn met de Voorwaarden en Condities van Stanley Fat Max en moet u een bewijs van aankoop overleggen aan de verkoper of aan een geautoriseerde reparatiemonteur. Voorwaarden en condities van de 1-jarige garantie van Stanley Fat Max en het adres van de vestiging van het geautoriseerde reparatiecentrum bij u in de buurt, kunt u vinden op internet op www.2helpU.com, of door contact op te nemen met het Stanley Fat Max-kantoor ter plaatse, op het adres dat in deze handleiding wordt vermeld. Bezoek onze website www.stanley.eu/3, waar u uw nieuwe Stanley Fat Max-product kunt registreren en informatie kunt vinden over nieuwe producten en speciale aanbiedingen.

(Traducción de las instrucciones originales)

ESPAÑOL

Usó previsto

El martillo demolidor FATMAX® SFMEH220 de STANLEY® ha sido diseñado para aplicaciones ligeras o medianas de cincelado y demolición en hormigón, ladrillo y mampostería. Esta herramienta está destinada a uso profesional y a uso privado no profesional.

Instrucciones de seguridad

Advertencias de seguridad generales para herramientas eléctricas



¡Advertencia! Lea todas las advertencias de seguridad y todas las instrucciones.

En caso de no atenerse a las siguientes advertencias e instrucciones de seguridad, podría producirse una descarga eléctrica, incendio o lesión grave.

Guarde todas las advertencias e instrucciones para futuras consultas. El término "herramienta eléctrica" empleado en las advertencias a continuación hace referencia a la herramienta eléctrica con alimentación de red (con cable) o alimentada por batería (sin cable).

1. Seguridad del área de trabajo

- a. **Mantenga limpia y bien iluminada el área de trabajo.** Las áreas en desorden u oscuras pueden provocar accidentes.
- b. **No utilice herramientas eléctricas en entornos con peligro de explosión, como aquellos en los que haya líquidos, gases o polvos inflamables.** Las herramientas eléctricas originan chispas que pueden inflamar el polvo o los gases.
- c. **Mantenga alejados del área de trabajo a los niños y a otras personas cuando emplee la herramienta eléctrica.** Las distracciones pueden provocar la pérdida del control de la herramienta.

2. Seguridad eléctrica

- a. **El enchufe de la herramienta eléctrica debe corresponder a la toma de corriente. No modifique nunca el enchufe de ninguna forma. No utilice ningún enchufe adaptador con las herramientas eléctricas conectadas a tierra (puesta a masa).** Los enchufes no modificados y las tomas de corriente compatibles reducen el riesgo de descarga eléctrica.
- b. **Evite que su cuerpo toque partes conectadas o puestas a tierra tales como tuberías, radiadores, cocinas y refrigeradores.** Existe un mayor riesgo de descarga eléctrica si su propio cuerpo está conectado a tierra.
- c. **No exponga las herramientas eléctricas a la lluvia y a la humedad.** La entrada de agua en una herramienta eléctrica aumenta el riesgo de descarga eléctrica.
- d. **Cuide el cable de alimentación. No use nunca el cable para transportar, tirar de la herramienta eléctrica o desenchufarla. Mantenga el cable alejado del calor, aceite, bordes afilados y piezas en movimiento.** Los cables dañados o enredados aumentan el riesgo de descarga eléctrica.
- e. **Al trabajar con la herramienta eléctrica en la intemperie utilice solamente cables de prolongación homologados para su uso en exteriores.** La utilización de un cable adecuado para el uso en exteriores reduce el riesgo de descarga eléctrica.

- f. **Si la utilización de una herramienta eléctrica en un lugar húmedo es inevitable, utilice una fuente protegida con un dispositivo de corriente residual (DCR).** El uso de un DCR reduce el riesgo de descarga eléctrica.

3. Seguridad personal

- a. **Esté atento a lo que hace y emplee la herramienta eléctrica con prudencia. No maneje una herramienta eléctrica cuando esté cansado o bajo los efectos de drogas, medicamentos o alcohol.** Un momento de falta de atención cuando se manejan las herramientas eléctricas puede ocasionar lesiones personales graves.
- b. **Utilice un equipo de protección personal. Utilice siempre protección ocular.** El uso de equipo de protección, como mascarillas antipolvo, calzado antideslizante, casco o protección auditiva en las condiciones apropiadas reduce la posibilidad de sufrir lesiones corporales.
- c. **Impida que la herramienta se ponga en marcha accidentalmente. Asegúrese de que el interruptor se encuentre en la posición de apagado antes de conectar la herramienta a la fuente de alimentación o a la batería, o de coger o transportar la herramienta.** Transportar herramientas eléctricas con el dedo puesto en el interruptor o herramientas eléctricas activadoras que tengan el interruptor encendido puede provocar accidentes.
- d. **Retire las herramientas de ajuste o llaves fijas antes de encender la herramienta eléctrica.** Dejar una llave inglesa u otra llave puesta en una pieza en movimiento de la herramienta eléctrica puede ocasionar lesiones personales.
- e. **Sea precavido. Mantenga un equilibrio adecuado y la estabilidad constantemente.** Esto permite un mejor control de la herramienta eléctrica en situaciones inesperadas.
- f. **Lleve puesta una vestimenta de trabajo adecuada. No se ponga ropa suelta o joyas. Mantenga el cabello, la ropa y los guantes alejados de las piezas en movimiento.** La ropa suelta, las joyas y el pelo largo pueden quedar atrapados en las piezas en movimiento.
- g. **Siempre que sea posible utilizar unos equipos de aspiración o captación de polvo, asegúrese de que estén montados y de se utilicen correctamente.** El uso de equipo de recogida de polvo puede reducir los riesgos relacionados con el polvo.

4. Uso y cuidado de herramientas eléctricas

- a. **No sobrecargue la herramienta eléctrica. Use la herramienta eléctrica correcta para su trabajo.**

La herramienta eléctrica correcta funcionará mejor y con mayor seguridad si se utiliza de acuerdo con sus características técnicas.

- b. **No utilice la herramienta eléctrica si no se puede encender y apagar con el interruptor.** Toda herramienta eléctrica que no pueda controlarse con el interruptor es peligrosa y debe ser reparada.
 - c. **Desconecte el enchufe de la herramienta eléctrica de la fuente de alimentación y/o la batería antes de realizar cualquier ajuste, cambiar accesorios o guardar la herramienta.** Dichas medidas de seguridad preventivas reducen el riesgo de poner en marcha accidentalmente la herramienta eléctrica.
 - d. **Guarde las herramientas eléctricas fuera del alcance de los niños y no permita que la utilicen las personas no familiarizadas con su uso o con estas instrucciones.** Las herramientas eléctricas son peligrosas en manos de personas no capacitadas.
 - e. **Realice el mantenimiento de sus herramientas eléctricas. Compruebe que las piezas móviles no estén desalineadas ni atascadas, que no haya piezas rotas y cualquier otra condición que pudiera afectar al funcionamiento de la herramienta eléctrica. Si la herramienta eléctrica está dañada, llévela para que sea reparada antes de utilizarla.** Se ocasionan muchos accidentes por el mal mantenimiento de las herramientas eléctricas.
 - f. **Mantenga las herramientas de corte limpias y afiladas.** Hay menos probabilidad de que las herramientas de cortar con bordes afilados se bloqueen, y son más fáciles de controlar.
 - g. **Utilice la herramienta eléctrica, los accesorios, los útiles de la herramienta, etc. de acuerdo con estas instrucciones, y tenga en cuenta las condiciones de trabajo y la tarea que va a realizar.** El uso de la herramienta eléctrica para operaciones que no sean las previstas puede ocasionar una situación peligrosa.
5. **Reparaciones**
- a. **Haga reparar esta herramienta eléctrica solo por personal técnico autorizado que emplee exclusivamente piezas de repuesto originales.** Así se asegurará que se mantenga la seguridad de la herramienta eléctrica.

Advertencias de seguridad adicionales para herramientas eléctricas



¡Advertencia! Advertencias de seguridad adicionales para martillos demoledores.

- ◆ **Lleve protección acústica.** La exposición al ruido puede provocar pérdida de audición.

- ◆ **Utilice las empuñaduras auxiliares suministradas con la herramienta.** La pérdida de control puede provocar lesiones personales.
- ◆ **Sostenga la herramienta eléctrica por las superficies de agarre aisladas cuando realice una operación en la que el accesorio de corte pueda estar en contacto con un cable oculto o con su propio cable.** El contacto de los accesorios de corte con un cable cargado, puede cargar las partes metálicas expuestas de la herramienta eléctrica y producir una descarga eléctrica al usuario.
- ◆ **Asegúrese de que el material que vaya a demoler no tenga cables de corriente o tubos de gas ocultos, y determine su ubicación consultando las respectivas empresas de servicios.**
- ◆ **Tenga bien aferrada la herramienta en todo momento. No intente operar esta herramienta sin sostenerla con ambas manos. La operación de esta herramienta con una sola mano provocará la pérdida de control.** Del mismo modo, el traspaso o el choque con materiales duros como las barras también pueden resultar peligrosos. Apriete el asa lateral con firmeza antes del uso.
- ◆ **Compruebe que el cincel esté fijo en su posición antes de utilizar la herramienta.**
- ◆ **En condiciones de clima frío o cuando la herramienta no se haya utilizado durante un largo período de tiempo, hágala que funcione sin carga durante varios minutos antes de usarla.**
- ◆ **Cuando trabaje en un nivel por encima del suelo, compruebe que la zona de abajo esté despejada.**
- ◆ **No toque el cincel o las piezas cercanas al cincel inmediatamente después de efectuar la operación, pues pueden estar muy calientes y causar quemaduras en la piel.**
- ◆ **Dirija siempre el cable de alimentación hacia atrás para alejarlo del aparato.**
- ◆ **No utilice esta herramienta durante largos periodos de tiempo. Las vibraciones provocadas por la acción del taladro pueden resultar dañinas para sus brazos y manos. Utilice guantes para protección adicional y limite la exposición haciendo pausas frecuentes.**

Seguridad de otras personas

- ◆ Este aparato no está destinado al uso por parte de personas (incluyendo los niños) con capacidades físicas, sensoriales o mentales reducidas, o que carezcan de experiencia o del conocimiento necesario, a menos que estén supervisadas o que reciban las instrucciones relativas al uso del aparato por una persona encargada de su seguridad.
- ◆ Los niños deben vigilarse en todo momento para asegurarse de que no la tomen como elemento de juego.

Riesgos residuales.

El uso de esta herramienta puede producir riesgos residuales adicionales no incluidos en las advertencias de seguridad adjuntas. Estos riesgos se pueden generar por un uso incorrecto, demasiado prolongado, etc.

El cumplimiento de las normas de seguridad correspondientes y el uso de dispositivos de seguridad no evitan ciertos riesgos residuales. Dichos riesgos incluyen:

- ◆ Lesiones producidas por el contacto con piezas móviles o giratorias.
- ◆ Lesiones producidas al cambiar cualquier pieza, hoja o accesorio.
- ◆ Lesiones producidas por el uso de una herramienta durante un tiempo demasiado prolongado. Si utiliza una herramienta durante periodos de tiempo demasiado prolongados, asegúrese de realizar pausas con frecuencia.
- ◆ Deterioro auditivo.
- ◆ Riesgos para la salud producidos al respirar el polvo que se genera al usar la herramienta (por ejemplo: en los trabajos con madera, especialmente de roble, haya o tableros de densidad mediana).

Vibración

Los valores de emisión de vibraciones declarados en el apartado de características técnicas y en la declaración de conformidad se han calculado según un método de prueba estándar proporcionado por la norma EN 60745 y podrán utilizarse para comparar una herramienta con otra. El valor de emisión de vibraciones especificado también puede utilizarse en una evaluación preliminar de la exposición.

¡Advertencia! El valor de emisión de vibraciones durante el funcionamiento real de la herramienta eléctrica puede diferir del valor declarado en función de cómo se utilice dicha herramienta. El nivel de las vibraciones puede aumentar por encima del nivel declarado.

Al evaluar la exposición a las vibraciones con el fin de determinar las medidas de seguridad que exige la directiva 2002/44/CE para proteger a las personas que utilizan periódicamente herramientas eléctricas en el entorno laboral, deberá tenerse en cuenta una estimación de la exposición a las vibraciones, las condiciones de uso reales y el modo de empleo de la herramienta, así como los pasos del ciclo operativo como, por ejemplo, el número de veces que la herramienta se apaga, el tiempo que está parada y el tiempo de activación.

Etiquetas en la herramienta

Junto con el código de la fecha, en la herramienta aparecen los siguientes pictogramas:



¡Advertencia! Para reducir el riesgo de lesiones, el usuario debe leer el manual de instrucciones.



Utilice gafas de seguridad.



Póngase protección para el oído.

Seguridad eléctrica



Esta herramienta lleva un doble aislamiento; por lo tanto, no requiere puesta a tierra. Compruebe siempre que el voltaje suministrado corresponda al indicado en la placa de características.

- ◆ Si se daña el cable de alimentación, debe ser sustituido por el fabricante o por un centro de asistencia técnica autorizado de Stanley Fat Max, para evitar riesgos.

Uso de un cable de prolongación

Utilice siempre un cable de prolongación adecuado para la entrada de corriente de este aparato (consulte la ficha técnica). El cable de prolongación debe ser adecuado para su uso en exteriores y presentar las indicaciones oportunas. Se puede utilizar un cable de prolongación HO5VV-F de 1.5 mm² y de hasta 30 m sin pérdida de rendimiento del producto. Antes de utilizar el cable de prolongación, compruebe que no esté dañado, gastado o deteriorado. Si está dañado o defectuoso, sustitúyalo. Si utiliza un carrete de cable, desenrolle siempre el cable completamente.

Características

Esta herramienta incluye parte o la totalidad de estas características.

1. Empuñadura lateral
2. Interruptor
3. Revestimiento del barril
4. Mandril SDS MAX
5. Entrada de aceite lubricante de inyección

Uso

¡Advertencia! Antes de llevar a cabo cualquiera de las siguientes operaciones, asegúrese de que la herramienta está apagada y desenchufada.

Encendido y apagado (Fig. A)

- ◆ Para hacer funcionar la herramienta, pulse el interruptor (2) y gírelo hacia la posición de encendido.
- ◆ Para parar la herramienta, ponga el interruptor (2) en la posición de apagado y suéltelo.

Montaje de la empuñadura lateral (Fig. B)

La empuñadura lateral (1) puede posicionarse tanto para usuarios diestros como zurdos.

¡Advertencia! No utilice la herramienta si no tiene la empuñadura lateral correctamente montada.

- ◆ Afloje la empuñadura lateral.
- ◆ Para usuarios diestros: Deslice la abrazadera de la empuñadura lateral por el collarín detrás del portaherramientas, con la empuñadura a la izquierda. Para usuarios zurdos: Deslice la abrazadera de la empuñadura lateral por el collarín detrás del portaherramientas, con la empuñadura a la derecha.
- ◆ Gire el asa lateral hasta la posición deseada y apriete el asa.

Colocación y extracción de accesorios SDS Max (Fig. C, D)

Esta herramienta usa los accesorios SDS Max (consulte la figura D para ver una sección transversal del mango de una broca SDS Max). Le aconsejamos que utilice exclusivamente accesorios profesionales.

- ◆ Limpie y engrase el mango de la broca.
- ◆ Inserte el mango de la broca en el portaherramienta/manguito (4).
- ◆ Empuje la broca hasta el fondo y gírela un poco hasta que encaje en las ranuras.
- ◆ Tire de la broca para comprobar que esté bien sujeta. Para la función de taladrado, es necesario que la broca pueda moverse axialmente varios centímetros una vez sujeta en el portaherramientas.
- ◆ Para extraer una broca, tire hacia atrás el manguito/portaherramienta (4), como se muestra en la figura C, y saque la broca.

¡Advertencia! Use siempre guantes cuando cambie los accesorios. Las piezas metálicas expuestas de la herramienta y los accesorios pueden alcanzar temperaturas extremadamente altas durante el funcionamiento.

Astillar y cincelar (Fig. E)

- ◆ Inserte el cincel apropiado (no suministrado) en la posición correcta.
- ◆ Ajuste la empuñadura lateral (1) según sea necesario.
- ◆ Encienda la herramienta y empiece a trabajar.
- ◆ Apague siempre la herramienta cuando termine su trabajo y antes de desconectarla.
- ◆ Respete siempre las instrucciones de seguridad y las normas aplicables.
- ◆ Tenga cuidado con la ubicación de las tuberías y el cableado.
- ◆ Ejercer poca presión sobre la herramienta (aprox. 5 kg). Una fuerza excesiva no acelera la velocidad de cincelado, sino que disminuye el rendimiento de la herramienta y puede reducir su vida útil.
- ◆ Sujete siempre la herramienta con ambas manos y compruebe que esté bien colocada. Utilice siempre la herramienta con la empuñadura lateral correctamente montada.

Posición correcta de las manos (Fig. F)

¡Advertencia! Para reducir el riesgo de lesión personal grave, tenga SIEMPRE las manos en una posición adecuada como se muestra.

¡Advertencia! Para reducir el riesgo de lesiones personales graves, sujete SIEMPRE bien la máquina, para anticiparse a una reacción repentina. La posición adecuada de las manos exige que una mano se coloque en la empuñadura lateral (1) y la otra en la empuñadura principal.

¡Advertencia! No utilice esta herramienta para mezclar o bombear fluidos fácilmente combustibles o explosivos (bencina, alcohol, etc.). No mezcle ni difunda líquidos inflamables etiquetados como tal.

Accesorios

El funcionamiento de la herramienta dependerá del accesorio que se utilice. Los accesorios Stanley FatMax se han fabricado siguiendo estándares de alta calidad y se han diseñado para mejorar el funcionamiento de la herramienta. Con estos accesorios, sacará el máximo provecho a su herramienta.

Mantenimiento

Este aparato o herramienta con o sin cable de Stanley FatMax ha sido diseñado para funcionar durante un largo período de tiempo con un mantenimiento mínimo. El funcionamiento satisfactorio y continuo depende del buen cuidado de la herramienta y de una limpieza frecuente.

¡Advertencia! Antes de realizar el mantenimiento de herramientas eléctricas con o sin cables:

- ◆ Apague y desenchufe el aparato o herramienta.
- ◆ O apague y extraiga la batería del aparato o herramienta si tiene una batería separada.
- ◆ O bien, deje que la batería se agote por completo si es integral y, a continuación, apague la máquina.
- ◆ Desenchufe el cargador antes de limpiarlo. El cargador no requiere ningún mantenimiento especial excepto la limpieza periódica.
- ◆ Limpie periódicamente las ranuras de ventilación de la herramienta, aparato o cargador con un cepillo suave o un paño seco.
- ◆ Limpie periódicamente la carcasa del motor con un paño húmedo. No utilice limpiadores abrasivos o a base de disolventes.
- ◆ Abra regularmente el portabrocas y golpéelo suavemente para eliminar los restos de polvo que haya en su interior (si se encuentra colocado).

Sustitución del enchufe de alimentación principal (solo Irlanda y Reino Unido)

Si debe colocar un nuevo enchufe de red:

- ◆ Deseche el enchufe anterior según las normas de seguridad.
- ◆ Conecte el cable marrón al terminal conductor del nuevo enchufe.
- ◆ Conecte el cable azul al terminal neutro.

¡Advertencia! No deberá realizar ninguna conexión al terminal de tierra. Siga las instrucciones de colocación suministradas con los enchufes de buena calidad. Fusible recomendado: 10 A.

Protección del medioambiente



Recogida selectiva. Los productos y las baterías marcadas con este símbolo no se deben eliminar con los residuos domésticos normales.

Los productos y las baterías que contienen materiales que se puedan recuperar o reciclar reducen la demanda de materias primas.

Recicle los productos eléctricos y las baterías de conformidad con la normativa local. Puede obtener más información en www.2helpU.com

Datos técnicos

		SFMEH220 (tipo 1)
Tensión	V	220 - 240
Frecuencia	Hz	50 - 60
Potencia de entrada	W	1010
Índice de impactos	bpm	2900
Energía de impacto (EPTA / Max)	J	8.5
Tipo de mandril		SDS Max
Peso	kg	6.3

SFMEH200 Nivel de presión acústica de acuerdo con la directiva EN60745:		
Presión acústica (L_{pA})	dB(A)	85
Incertidumbre de presión acústica (K_{pA})	dB(A)	3
Potencia acústica (L_{WA})	dB(A)	96
Incertidumbre de potencia acústica (K_{WA})	dB(A)	3
Valor de emisión de vibraciones ah (cincelado):		
($a_{h,CHREQ}$)	m/s ²	11
Incertidumbre (K)	m/s ²	1.5

Declaración de conformidad CE
DIRECTIVA DE MÁQUINAS



Martillo demoledor SMEH220

Stanley Europe declara que los productos descritos en la "ficha técnica" cumplen con las siguientes directrices: 2006/42/CE, EN 60745-1, EN 60745-2-6

Estos productos también cumplen con la Directiva 2014/30/UE y 2011/65/UE. Si desea obtener más información, póngase en contacto con Stanley Europe a través de la siguiente dirección o consulte el dorso del manual.

La persona que firma a continuación es responsable de la elaboración del archivo técnico y realiza esta declaración en nombre de Stanley Europe.

A.P. Smith

Director Técnico

Stanley Fat Max Europe, Egide Walschaertsstraat 14-18,
2800 Mechelen, Bélgica
22/07/2019

Garantía

Stanley Fat Max confía en la calidad de sus productos y ofrece a los consumidores una garantía de 12 meses a partir de la fecha de compra. Esta garantía es adicional a sus derechos legales y no los menoscaba en modo alguno. La garantía es válida dentro de los territorios de los Estados Miembros de la Unión Europea y del Área de Libre Comercio Europea.

Para reclamar la garantía, la reclamación se deberá presentar de conformidad con las condiciones de Stanley FatMax, y se deberá presentar el justificante de compra al vendedor o al agente técnico autorizado. Las condiciones de la garantía de 1 año de Stanley FatMax y la ubicación de su agente técnico autorizado más cercano se pueden obtener en Internet en www.2helpU.com o poniéndose en contacto con su oficina local de Stanley FatMax en la dirección que se indica en este manual.

Visite nuestro sitio web www.stanley.eu/3 para registrar su nuevo producto FatMax y recibir noticias sobre nuevos productos y ofertas especiales.

Utilização prevista

O martelo demolidor SFMEH220 da STANLEY® FATMAX® foi concebido para burilagem, cinzelagem e demolição ligeira ou média em betão, tijolo e alvenaria. Esta ferramenta destina-se a utilização profissional bem como a utilizadores não profissionais.

Instruções de segurança

Avisos de segurança gerais para ferramentas eléctricas



Atenção! Leia todos os avisos de segurança e todas as instruções. O não cumprimento dos seguintes avisos e instruções pode resultar em choque eléctrico, incêndio e/ou ferimentos graves.

Guarde todos os avisos e instruções para futura referência. A expressão "ferramenta eléctrica" utilizada a seguir refere-se a ferramentas eléctricas com ligação à corrente eléctrica (com cabo) ou com bateria (sem fios).

1. Segurança na área de trabalho

- a. **Mantenha a área de trabalho limpa e bem iluminada.** As áreas desorganizadas ou escuras são propensas a acidentes.
- b. **Não trabalhe com ferramentas eléctricas em áreas com risco de explosão, nas quais se encontrem líquidos, gases ou poeiras inflamáveis.** As ferramentas eléctricas criam faíscas que podem inflamar estas poeiras ou vapores.
- c. **Mantenha as crianças e outras pessoas afastadas durante a utilização da ferramenta eléctrica.** As distrações podem levar à perda do controlo da ferramenta.

2. Segurança eléctrica

- a. **As fichas da ferramenta eléctrica devem encaixar na tomada. Nunca modifique a ficha de forma alguma. Não utilize fichas adaptadoras com ferramentas eléctricas ligadas à terra.** As fichas não modificadas e as tomadas compatíveis reduzem o risco de choque eléctrico.
- b. **Evite que o corpo entre em contacto com superfícies ligadas à terra, como tubos, radiadores, fogões e frigoríficos.** Se o seu corpo estiver "ligado" à terra, o risco de choque eléctrico é maior.
- c. **As ferramentas eléctricas não podem ser expostas a chuva nem humidade.** A entrada de água numa ferramenta eléctrica aumenta o risco de choque eléctrico.
- d. **Manuseie o cabo com cuidado. Nunca o utilize para transportar, puxar ou desligar a ferramenta eléctrica.**

Mantenha o cabo afastado de fontes de calor, substâncias oleosas, arestas afiadas ou peças móveis. Os cabos danificados ou emaranhados aumentam o risco de choque eléctrico.

- e. **Quando trabalhar com uma ferramenta eléctrica ao ar livre, utilize uma extensão adequada para esse fim.** A utilização de um cabo adequado para uso ao ar livre reduz o risco de choque eléctrico.
 - f. **Se for inevitável trabalhar com uma ferramenta eléctrica num local húmido, utilize um dispositivo de corrente residual (DCR).** A utilização de um DCR reduz o risco de choque eléctrico.
- #### 3. Segurança pessoal
- a. **Esteja atento, preste atenção ao que está a fazer e seja prudente quando trabalhar com a ferramenta eléctrica. Não utilize uma ferramenta eléctrica quando estiver cansado ou sob o efeito de drogas, álcool ou medicamentos.** Um momento de distração durante a utilização de ferramentas eléctricas pode resultar em ferimentos graves.
 - b. **Utilize equipamento de protecção individual. Use sempre protecção ocular.** O equipamento de protecção, como, por exemplo, uma máscara contra o pó, sapatos de segurança antiderrapantes, um capacete de segurança ou uma protecção auditiva, usado nas condições apropriadas, reduz o risco de ferimentos.
 - c. **Evite arranques involuntários. Certifique-se de que o botão está desligado antes de ligar a ferramenta à corrente eléctrica e/ou as baterias, e antes de levantar ou transportar a ferramenta.** Se mantiver o dedo sobre o interruptor ao transportar ferramentas eléctricas ou se as ligar à fonte de alimentação com o interruptor ligado, isso pode dar origem a acidentes.
 - d. **Retire eventuais chaves de ajuste ou chaves de fendas antes de ligar a ferramenta eléctrica.** Uma chave de fenda ou de ajuste fixada numa peça rotativa da ferramenta eléctrica pode causar ferimentos.
 - e. **Não tente chegar a pontos fora do alcance. Mantenha sempre os pés bem apoiados e um equilíbrio apropriado.** Desta forma, será mais fácil controlar a ferramenta eléctrica em situações inesperadas.
 - f. **Use vestuário adequado. Não use roupa larga ou jóias. Mantenha o cabelo, a roupa e as luvas afastados das peças móveis.** As roupas largas, as jóias ou o cabelo comprido podem ficar presos nestas peças.
 - g. **Se for prevista a montagem de dispositivos de extracção e recolha de poeiras, assegure-se de que estão ligados e que são utilizados de forma correcta.** A utilização de dispositivos de extracção de partículas pode reduzir os riscos relacionados com as mesmas.

4. **Utilização e manutenção da ferramenta eléctrica**
 - a. **Não sobrecarregue a ferramenta eléctrica. Utilize a ferramenta eléctrica correta para o seu trabalho.** A ferramenta eléctrica adequada irá efectuar o trabalho de um modo mais eficiente e seguro se for utilizada de acordo com a capacidade para a qual foi concebida.
 - b. **Não utilize a ferramenta eléctrica se o interruptor não puder ser ligado ou desligado.** Qualquer ferramenta eléctrica que não possa ser controlada através do interruptor de alimentação é perigosa e tem de ser reparada.
 - c. **Desligue a ficha da tomada e/ou a bateria da ferramenta eléctrica antes de proceder a ajustes, trocar acessórios ou guardar ferramentas eléctricas.** Estas medidas de segurança preventivas reduzem o risco de ligar a ferramenta eléctrica acidentalmente.
 - d. **Mantenha as ferramentas eléctricas que não estiverem a ser utilizadas fora do alcance das crianças. Não permita que a ferramenta eléctrica seja utilizada por pessoas não familiarizadas com a mesma ou que não tenham lido estas instruções.** As ferramentas eléctricas são perigosas nas mãos de pessoas que não possuam as qualificações necessárias para as manusear.
 - e. **Proceda à manutenção das ferramentas eléctricas. Verifique se as partes móveis estão desalinhasadas ou bloqueadas, se existem peças partidas ou qualquer outra situação que possa afetar o funcionamento das ferramentas eléctricas. Se a ferramenta eléctrica estiver danificada, esta não deve ser utilizada até que seja reparada.** Muitos acidentes têm como principal causa ferramentas eléctricas com uma manutenção insuficiente.
 - f. **Mantenha as ferramentas de corte afiadas e limpas.** As ferramentas de corte sujeitas a uma manutenção adequada, com arestas de corte afiadas, bloqueiam com menos frequência e controlam-se com maior facilidade.
 - g. **Utilize a ferramenta eléctrica, os acessórios e as peças de ferramenta, etc., de acordo com estas instruções, considerando as condições de trabalho e a tarefa a ser executada.** A utilização da ferramenta eléctrica para fins diferentes dos previstos pode resultar em situações perigosas.
5. **Assistência**
 - a. **A ferramenta eléctrica deve ser reparada por pessoal qualificado e só devem ser colocadas peças sobresselentes idênticas.** Desta forma, é garantida a segurança da ferramenta eléctrica.

Avisos de segurança adicionais para ferramentas eléctricas



Atenção! Avisos adicionais de segurança para martelos demolidores.

- ◆ **Use uma protecção auditiva.** A exposição ao ruído pode causar perda auditiva.
- ◆ **Utilize os punhos auxiliares fornecidos com a ferramenta.** A perda de controlo pode causar lesões pessoais.
- ◆ **Segure a ferramenta eléctrica apenas pelas superfícies isoladas específicas para o efeito ao efectuar uma operação em que o acessório de corte possa entrar em contacto com fios ocultos ou com o próprio cabo da ferramenta.** O acessório de corte que entre em contacto com um fio com tensão eléctrica pode fazer com que as peças de metal expostas da ferramenta conduzam electricidade e electrocutem o operador
- ◆ **Verifique bem se o material que está a ser perfurado não tem fios eléctricos ou tubos de gás escondidos e se a localização foi verificada pelas empresas de serviços públicos.**
- ◆ **Segure a ferramenta sempre com firmeza. Não utilize esta ferramenta sem segurá-la com ambas as mãos.** A utilização desta ferramenta irá resultar em perda de controlo. Também pode ser perigoso perfurar ou detectar materiais duros, tais como barras de reforço. Aperte o punho lateral em segurança antes de utilizar o martelo.
- ◆ **Verifique se o cinzel está fixado antes de utilizar a ferramenta.**
- ◆ **Em condições meteorológicas frias ou se a ferramenta não tiver sido utilizada durante um período de tempo mais prolongado, deixe a ferramenta a funcionar sem carga durante vários minutos antes de utilizá-la.**
- ◆ **Quando trabalhar acima do nível do solo, assegure-se que a área abaixo está desobstruída.**
- ◆ **Não toque no cinzel ou nas peças junto ao cinzel imediatamente após a operação, uma vez que podem ficar muito quentes e causar queimaduras na pele.**
- ◆ **Direccione sempre o cabo de alimentação para a parte de trás, afastado do cinzel.**
- ◆ **Não utilize esta ferramenta durante longos períodos de tempo. A vibração causada pela acção do martelo pode ser prejudicial às suas mãos e braços. Use luvas para proporcionar uma protecção adicional e limite a exposição, fazendo pausas frequentes.**

Segurança de terceiros

- ◆ Este equipamento não foi concebido para ser utilizado por pessoas (incluindo crianças) com capacidades físicas, sensoriais ou mentais reduzidas ou com falta de experiência e conhecimentos, a menos que sejam acompanhadas ou tenham recebido formação ou instruções sobre a utilização deste equipamento por uma pessoa responsável pela respectiva segurança.
- ◆ As crianças devem ser vigiadas para que não mexam no equipamento.

Riscos residuais.

Podem surgir riscos residuais adicionais durante a utilização da ferramenta, que podem não constar nos avisos de segurança incluídos. Estes riscos podem resultar de má utilização, uso prolongado, etc.

Mesmo com o cumprimento dos regulamentos de segurança relevantes e a implementação de dispositivos de segurança, alguns riscos residuais não podem ser evitados. Estes incluem:

- ◆ Ferimentos causados pelo contacto com peças em rotação/movimento.
- ◆ Ferimentos causados durante a troca de peças, lâminas ou acessórios.
- ◆ Ferimentos causados pela utilização prolongada de uma ferramenta. Se utilizar uma ferramenta durante períodos prolongados, certifique-se de que faz pausas regularmente.
- ◆ Danos auditivos.
- ◆ Problemas de saúde causados pela inalação de poeiras resultantes da utilização da ferramenta (exemplo: trabalhos em madeira, especialmente carvalho, faia e MDF).

Vibração

Os valores de emissão de vibração declarados na secção de dados técnicos e na declaração de conformidade foram medidos de acordo com o método de teste padrão fornecido pela EN 60745 e podem ser utilizados para comparar ferramentas. O valor de emissão de vibração declarado pode ainda ser utilizado numa avaliação preliminar de exposição.

Atenção! O valor de emissão de vibração durante a utilização real da ferramenta eléctrica pode ser diferente do valor declarado, dependendo da forma como a ferramenta é utilizada. O nível de vibração pode aumentar acima do nível indicado.

Quando avaliar a exposição da vibração para determinar as medidas de segurança exigidas pela Diretiva 2002/44/CE para proteger pessoas que utilizem regularmente ferramentas eléctricas na sua atividade profissional, deve ser considerada uma estimativa de exposição de vibração, as condições reais de utilização e o modo de utilização da ferramenta, incluindo ainda todas as partes do ciclo de funcionamento, como os

períodos de inatividade e espera da ferramenta, além do tempo de funcionamento.

Etiquetas colocadas na ferramenta

A ferramenta apresenta os seguintes pictogramas de aviso juntamente com o código de data:



Atenção! Para reduzir o risco de ferimentos, o utilizador deve ler o manual de instruções.



Utilize óculos ou viseiras de protecção.



Use uma protecção auditiva.

Segurança eléctrica



Esta ferramenta tem isolamento duplo. Por esse motivo, não necessita de ligação à terra. Verifique sempre se a tensão da tomada de electricidade corresponde à tensão indicada na placa com os requisitos de alimentação da ferramenta.

- ◆ Se o cabo de alimentação estiver danificado, terá de ser substituído pelo fabricante ou por um centro de assistência autorizado Stanley Fat Max para evitar acidentes.

Utilizar um cabo de extensão

Utilize sempre um cabo de extensão aprovado e adequado para a potência deste equipamento (ver dados técnicos). O cabo de extensão tem de ser adequado para utilização exterior, possuindo a respectiva marcação. Poderá utilizar um cabo de extensão HO5VV-F de 1.5 mm² com uma extensão máxima 30 m, sem redução do desempenho do equipamento. Antes da utilização, verifique se o cabo de extensão apresenta sinais de envelhecimento, danos ou desgaste. Substitua o cabo de extensão se este se encontrar danificado ou avariado. Ao utilizar uma bobina de cabo, desenrole sempre o cabo na íntegra.

Componentes

Esta ferramenta inclui algumas ou todas as funcionalidades seguintes.

1. Punho lateral
2. Interruptor
3. Tampa do tambor
4. Mandril SDS MAX
5. Entrada de injeção de óleo de lubrificação

Utilização

Atenção! Antes de tentar executar qualquer uma das operações que se seguem, certifique-se de que a ferramenta está desligada e a ficha foi retirada da tomada.

Ligar e desligar (Fig. A)

- ◆ Para ligar a ferramenta, pressione o interruptor (2) e coloque-o na posição “Ligado”.
- ◆ Para parar a ferramenta, coloque-a na posição “Desligado” e liberte o interruptor (2).

Encaixar o punho lateral (Fig. B)

O punho lateral (1) pode ser montado para se adequar tanto a utilizadores destros como canhotos.

Atenção! Não utilize a ferramenta sem o punho lateral devidamente montado.

- ◆ Liberte o punho lateral.
- ◆ Para utilizadores destros: Deslize o grampo do punho lateral sobre o anel por trás do suporte da ferramenta, com o punho no lado esquerdo. Para utilizadores esquerdinos: Deslize o grampo do punho lateral sobre o anel por trás do suporte da ferramenta, com o punho no lado direito.
- ◆ Rode o punho lateral para a posição pretendida e aperte o punho.

Inserir e remover acessórios SDS Max (Fig. C, D)

Esta ferramenta utiliza acessórios SDS Max (consulte a Figura D para obter uma secção transversal de uma haste da broca SDS Max). Recomendamos apenas a utilização de acessórios profissionais.

- ◆ Limpe e lubrifique a haste da broca.
- ◆ Insira a haste da broca no suporte da ferramenta/manga da ferramenta (4).
- ◆ Empurre a broca para baixo e rode-a ligeiramente até encaixar nas ranhuras.
- ◆ Puxe a broca para verificar se está devidamente bloqueada. A função de martelagem requer um movimento axial da broca a vários centímetros, quando está fixada na porta-ferramentas.
- ◆ Para retirar uma broca, puxe o suporte da ferramenta/manga de bloqueio (4), como indicado na Figura C e retire a broca.

Atenção! Utilize sempre luvas quando substituir os acessórios. As peças metálicas expostas na ferramenta e acessório podem ficar muito quentes durante o funcionamento.

Burilagem e cinzelagem (Fig. E)

- ◆ Insira o cinzel adequado (não fornecido) na posição correcta.
- ◆ Ajuste o punho lateral (1) conforme pretendido.
- ◆ Ligue a ferramenta e comece a trabalhar.
- ◆ Desligue sempre a ferramenta quando terminar o trabalho e antes de desligar o equipamento da corrente.
- ◆ Cumpra sempre as instruções de segurança e os regulamentos aplicáveis.

- ◆ Tenha em atenção a localização da tubagem e a cablagem.
- ◆ Exerça uma ligeira pressão na ferramenta (cerca de 5 kg). A aplicação de força excessiva não acelera o processo de cinzelagem, mas diminui o desempenho da ferramenta e pode ser reduzir a respectiva duração.
- ◆ Segure sempre a ferramenta com firmeza com ambas as mãos e garanta uma posição segura. Utilize sempre a ferramenta com o punho lateral devidamente montado.

Posição correcta das mãos (Fig. F)

Atenção! Para reduzir o risco de ferimentos graves, utilize SEMPRE a ferramenta com as suas mãos na posição correcta, tal como exemplificado na figura.

Atenção! Para reduzir o risco de ferimentos graves, segure SEMPRE a ferramenta com segurança, antecipando uma reacção súbita por parte da mesma. A posição correcta das mãos requer a colocação de uma mão no punho frontal (1), com a outra mão no punho principal.

Atenção! Não utilize esta ferramenta para misturar ou bombear facilmente líquidos combustíveis ou explosivos (benzeno, álcool, etc.). Não misture nem agite líquidos inflamáveis devidamente rotulados.

Acessórios

O desempenho da sua ferramenta depende do acessório utilizado. Os acessórios Stanley Fat Max são construídos sob normas de alta qualidade e concebidos para melhorar o desempenho da ferramenta. Utilizando estes acessórios, tirará o melhor partido da sua ferramenta.

Manutenção

O equipamento/ferramenta Stanley Fat Max com/sem fios foi concebido para funcionar durante um longo período de tempo com uma manutenção mínima. Uma utilização continuamente satisfatória depende de uma manutenção apropriada da ferramenta e de uma limpeza regular.

Atenção! Antes de proceder a qualquer ação de manutenção em ferramentas eléctricas com cabo/sem fios:

- ◆ Desligue o equipamento/ferramenta e retire a respectiva ficha da tomada.
- ◆ Ou desligue e remova a bateria do equipamento/ferramenta caso o equipamento/ferramenta tenha uma bateria individual.
- ◆ Também pode deixar a bateria descarregar completamente se for integral e, em seguida, desligue-a.
- ◆ Desligue o carregador antes de o limpar. O seu carregador não necessita de manutenção para além da limpeza regular.
- ◆ Limpe regularmente as aberturas de ventilação do equipamento/ferramenta/carregador com uma escova macia ou um pano seco.

- ◆ Limpe regularmente o compartimento do motor com um pano húmido. Não utilize produtos de limpeza abrasivos ou à base de dissolventes.
- ◆ Abra o mandril regularmente e bata no mesmo para remover qualquer vestígio de pó do seu interior (quando colocado).

Substituição da ficha de alimentação (apenas Reino Unido e Irlanda)

Se for necessário instalar uma nova ficha de alimentação:

- ◆ Elimine com segurança a ficha antiga.
- ◆ Ligue o cabo castanho ao terminal activo na nova ficha.
- ◆ Ligue o cabo azul ao terminal neutro.

Atenção! Não deve ser efectuada qualquer ligação ao terminal de terra. Siga as instruções de instalação fornecidas com fichas de boa qualidade. Fusível recomendado: 10 A.

Protecção do ambiente



Faça uma recolha de lixo seletiva. Os produtos e as baterias assinalados com este símbolo não devem ser eliminados juntamente com o lixo doméstico normal.

Os produtos e as baterias contêm materiais que podem ser recuperados ou reciclados, reduzindo assim a necessidade de matérias-primas.

Recicle os produtos eléctricos e as baterias de acordo com as disposições locais. Estão disponíveis mais informações em www.2helpU.com

Dados técnicos

		SFMEH220 (Tipo 1)
Tensão	V	220 - 240
Frequência	Hz	50 - 60
Alimentação	W	1010
Níveis de percussão	bpm	2900
Energia de impacto (EPTA/Max)	J	8,5
Tipo de mandril		SDS Max
Peso	kg	6,3

SFMEH220 Nível de pressão acústica de acordo com EN60745:		
Pressão acústica (L_{pA})	dB (A)	85
Variabilidade da pressão acústica (K_{pA})	dB (A)	3
Potência sonora (L_{WA})	dB (A)	96
Variabilidade potência sonora (K_{WA})	dB (A)	3

Valor de emissão de vibração ah (cinzelagem):		
($a_{h,Chet}$)	m/s ²	11
Variabilidade (K)	m/s ²	1,5

Declaração de conformidade CE DIRECTIVA "MÁQUINAS"



Martelo demolidor SMEH220

A Stanley Europe declara que os produtos descritos em "dados técnicos" estão em conformidade com as seguintes normas:

2006/42/CE, EN 60745-1, EN 60745-2-6

Estes produtos respeitam também a Directiva 2014/30/UE e 2011/65/UE. Para obter mais informações, contacte a Stanley Europe no endereço indicado ou consulte a parte posterior do manual.

O signatário é responsável pela compilação do ficheiro técnico e efetua esta declaração em nome da Stanley Europe.

A.P. Smith

Director Técnico

Stanley Fat Max Europe, Egide Walschaertsstraat14-18,

2800 Mechelen, Bélgica

22/07/2019

Garantia

A Stanley Fat Max confia na qualidade dos seus produtos e oferece aos clientes uma garantia de 12 meses a partir da data de compra. Esta garantia é um complemento dos seus direitos estabelecidos por lei, não os prejudicando de forma alguma. A garantia é válida nos Estados-membros da União Europeia e nos países-membros da Zona Europeia de Comércio Livre.

Para acionar a garantia, esta deve estar em conformidade com os termos e condições da Stanley Fat Max e terá de apresentar comprovativos de compra ao vendedor ou a um agente de reparação autorizado. Os termos e condições da garantia de 1 ano da Stanley Fat Max e a localização do agente de reparação autorizado mais próximo pode ser obtido na Internet em www.2helpU.com ou contactando uma filial da Stanley Fat Max, cuja morada está indicada neste manual. Visite o nosso Website www.stanley.eu/3 para registar o novo produto Stanley Fat Max e manter-se actualizado relativamente a novos produtos e ofertas especiais.

Avsedd användning

STANLEY® FATMAX® SFMEH220 rivningshammare har konstruerats för lätta eller medelstora användningsområden inom hackning, huggning och rivning av betong, tegel och murverk. Verktöget är avsett för både yrkesmässig användning och privatbruk.

Säkerhetsinstruktioner

Allmänna säkerhetsanvisningar för elverktyg



Varning! Läs alla säkerhetsvarningar och instruktioner. Fel som uppstår till följd av att varningarna och instruktionerna som listas nedan inte följts kan orsaka elstötar, brand och/eller allvarliga kroppsskador.

Spara alla säkerhetsföreskrifter och anvisningar för framtida bruk. Begreppet "Elverktyg" i alla varningar som listas nedan avser nätdrivna elverktyg (med nätsladd) och batteridrivna elverktyg (sladdlösa).

1. **Säkerhet på arbetsplatsen**
 - a. **Se till att arbetsområdet är rent och väl belyst.** Belamrade och mörka områden inbjuder till olyckor.
 - b. **Använd inte elverktöget i explosionsfarlig omgivning, t.ex. i närheten av brännbara vätskor, gaser eller damm.** Elverktyg skapar gnistor som kan antända damm eller ångor.
 - c. **Håll barn och åskådare på avstånd vid arbete med elverktöget.** Distractioner kan göra att du förlorar kontrollen.
 2. **Elsäkerhet**
 - a. **Elverktögets stickkontakt måste passa i eluttaget. Modifiera aldrig kontakten på något sätt. Använd inga adapterkontakter tillsammans med jordade elverktyg.** Icke modifierade kontakter och passande uttag minskar risken för elektrisk stöt.
 - b. **Undvik kroppskontakt med jordade ytor, t.ex. rör, värmeelement, spisar och kylskåp.** Det finns en ökad risk för elektrisk stöt om din kropp är jordansluten eller jordad.
 - c. **Utsätt inte elverktöget för regn eller våta omgivelningar.** Vatten som kommer in i ett elverktyg ökar risken för elektrisk stöt.
 - d. **Misshandla inte nätsladden. Använd aldrig sladden för att bära, dra eller koppla bort elverktöget från uttaget. Håll sladden borta från värme, olja, skarpa kanter eller rörliga delar.** Skadade eller tilltrasslade sladdar ökar risken för elektrisk stöt.
 - e. **Använd en förlängningssladd som lämpar sig för utomhusbruk när du arbetar med elverktyg utomhus.** Användning av en sladd som är lämplig för utomhusbruk minskar risken för elektriska stötar.
 - f. **Om du måste använda ett elverktyg på en fuktig plats, bör du använda en strömförsörjning med jordfelsbrytare.** Användning av en jordfelsbrytare minskar risken för elektrisk stöt.
3. **Personlig säkerhet**
 - a. **Var uppmärksam, se på vad du gör och använd sunt omdöme när du använder elverktöget. Använd inte ett elverktyg när du är trött eller påverkad av droger, alkohol eller mediciner.** Ett ögonblicks ouppmärksamhet när du arbetar med elektriska verktyg kan leda till allvarliga personskador.
 - b. **Använd personlig skyddsutrustning. Använd alltid skyddsglasögon.** Skyddsutrustning såsom dammfilterskydd, halksäkra säkerhetsskor, skyddshjälm eller hörselskydd som används för lämpliga förhållanden minskar personskador.
 - c. **Förhindra oavsiktlig start. Kontrollera att strömbrytaren står i avstängt läge innan du ansluter verktyget till elnätet eller sätter i batteriet, samt innan du tar upp eller bär verktyget.** Att bära elektriska verktyg med fingret på strömbrytaren eller att koppla strömmen till elektriska verktyg när strömbrytaren är på leder till olyckor.
 - d. **Ta bort alla inställningsverktyg och skruvnycklar innan du startar elverktöget.** Ett verktyg eller en nyckel som har lämnats kvar på en roterande del av det elektriska verktyget kan orsaka kroppsskador.
 - e. **Sträck dig inte för mycket. Ha ordentligt fotfäste och balans hela tiden.** Detta möjliggör bättre kontroll av elverktöget i oväntade situationer.
 - f. **Bär lämpliga kläder. Bär inte lösa kläder eller smycken. Håll hår, beklädnad och handskar borta från delar i rörelse. Lösa kläder, smycken eller långt hår kan fastna i rörliga delar.**
 - g. **Om enheten har dammsugnings- och uppsamlingsutrustning, se till att den är ansluten och används på korrekt sätt.** Användning av dammuppsamling kan minska dammrelaterade risker.
 4. **Användning och skötsel av elverktyg**
 - a. **Överbelasta inte elverktöget. Använd rätt elverktyg för ditt arbete.** Det korrekta elverktöget gör arbetet bättre och säkrare vid den hastighet för vilket det konstruerades.
 - b. **Använd inte elverktöget om det inte kan startas och stängas av med strömbrytaren.** Ett elverktyg som inte kan kontrolleras med strömbrytaren är farligt och måste repareras.

- c. **Dra stickproppen ur vägguttaget och/eller ta ut batteriet ur elverktyget innan inställningar görs, tillbehör byts ut eller elverktyget ställs undan.**
Sådana förebyggande säkerhetsåtgärder minskar risken att oavsiktligt starta elverktyget.
- d. **Förvara elverktyg utom räckhåll för barn och låt inte personer som är ovana vid elverktyget eller som inte läst denna bruksanvisning använda det.** Elverktyg är farliga i händerna på ovana användare.
- e. **Underhålla elverktyg. Kontrollera att rörliga komponenter fungerar felfritt och inte kärvar, att komponenter inte gått sönder eller skadats och inget annat föreligger som kan påverka elverktygets funktion. Om det är skadat, se till att elverktyget blir reparerat före användning.** Många olyckor orsakas av dåligt underhållna elektriska verktyg.
- f. **Håll skärande verktyg vassa och rena.** Korrekt underhållna kapverktyg med vassa skär är mindre troliga att de fastnar och är lättare att kontrollera.
- g. **Använd elverktyg, tillbehör, bits m.m. enligt dessa anvisningar, samtidigt som arbetsförhållandena och det arbete som ska utföras beaktas.** Användning av elverktyget för andra uppgifter än vad som avsetts kan resultera i farliga situationer.

5. Service

- a. **Låt en kvalificerad reparatör som bara använder identiska reservdelar utföra service på elverktyget.**
Detta säkerställer att elverktygets säkerhet bibehålls.

Ytterligare säkerhetsanvisningar för elverktyg



Varning! Ytterligare säkerhetsvarningar för rivningshammare.

- ◆ **Använd hörselskydd.** Att utsättas för buller kan leda till hörselskador.
- ◆ **Använd de extrahandtag som medföljer verktyget.** Tappad kontroll kan orsaka personskador.
- ◆ **Håll elverktyget i de isolerade greppytorna när arbete utförs där sågtillbehöret kan komma i kontakt med dolda elledningar eller dess egen sladd.** Kaptillbehör som kommer i kontakt med en strömförande ledning kan göra att exponerade metalldelar hos elverktyget blir strömförande och kan ge användaren en elstöt
- ◆ **Var säker på att materialet som borras inte döljer el- eller gasledning och att deras platser har verifierats av verktygsbolagen.**
- ◆ **Ha ett fast grepp om verktyget hela tiden. Försök inte att arbeta med verktyget utan att hålla det med båda händerna.** Arbete med detta verktyg med en hand kommer att resultera i att kontrollen förloras.

Bryta igenom eller att stöta på hårt material såsom armeringsjärn kan också vara riskabelt. Dra åt sidohandtaget ordentligt innan användning.

- ◆ **Se till att mejseln sitter säkert på plats innan verktyget används.**
- ◆ **Under kalla väderförhållanden eller när verktyget inte har använts under en längre tidsperiod, låt verktyget drivas utan belastning i flera minuter innan användning.**
- ◆ **Vid arbete ovanför marknivån, se till att området nedan är fritt.**
- ◆ **Rör inte mejseln eller delarna nära mejseln direkt efter arbetet då dessa kan vara mycket heta och orsaka brännskador på huden.**
- ◆ **Håll alltid strömladdan riktad bakåt, bort från mejseln.**
- ◆ **Arbeta inte med verktyget under långa perioder. Vibrationer som orsakas av slagverktygets arbete kan vara skadligt för dina händer och armar.** Använd handskar för att få extra stötdämpning och begränsa exponeringen genom att ta regelbundna pauser.

Säkerhet för andra

- ◆ Denna apparat är inte avsedd att användas av personer (inklusive barn) med reducerad fysisk, sensorisk eller mental förmåga eller med begränsad erfarenhet eller kunskap såvida de inte är under uppsikt eller fått instruktioner om användning av apparaten av en person som är ansvarig för deras säkerhet.
- ◆ Barn bör övervakas för att garantera att de inte leker med apparaten.

Övriga risker.

Ytterligare risker som inte finns med i de bifogade säkerhetsanvisningarna kan uppstå när verktyget används. Dessa risker kan uppstå vid felaktig eller långvarig användning, etc.

Även om alla relevanta säkerhetsanvisningar följs och säkerhetsanordningar används kan vissa ytterligare risker inte undvikas. Dessa omfattar:

- ◆ Skador orsakade av att roterande/rörliga delar vidrörs.
- ◆ Skador som uppstår vid byte av delar, blad eller tillbehör.
- ◆ Skador som orsakas av långvarig användning av ett verktyg. Se till att regelbundet ta vilopausar när du använder ett verktyg under en längre period.
- ◆ Hörselnedsättning.
- ◆ Hälsorisker orsakade av inandning av damm när redskapet används (exempel: arbete med trä, särskilt ek, bok och MDF)

Vibrationer

De vibrationsvärden som anges i avsnitten Tekniska data och deklARATIONEN om överensstämmelse har uppmätts i enlighet med en standardtestmetod föreskriven i EN 60745 och kan användas för jämförelse med andra verktyg. Det angivna vibrationsvärdet kan även användas för en preliminär bedömning av exponeringen.

Varning! Vibrationsvärdet under faktisk användning av elverktyget kan skilja sig från det uppgivna värdet beroende på hur verktyget används. Vibrationsnivån kan överstiga den uppgivna nivån.

Vid uppskattningar av exponering för vibrationer i syfte att bedöma vilka säkerhetsåtgärder som är nödvändiga enligt 2002/44/EG för att skydda personer som regelbundet använder elverktyg i arbetet ska man utgå från de faktiska omständigheter under vilka elverktyget används och sättet på vilket det används. Bedömningen ska även ta hänsyn till alla moment i arbetscykeln, t.ex. när verktyget är avstängt och när det går på tomgång såväl som när det faktiskt används.

Etiketter på verktyget

De följande varningssymbolerna finns på verktyget, tillsammans med datumkoden:



Varning! Läs bruksanvisningen före användning för att minska risken för personskador.



Använd säkerhetsglasögon eller skyddsglasögon.



Använd hörselskydd.

Elsäkerhet



Detta verktyg är dubbelisolerat; därför krävs ingen jordledning. Kontrollera alltid så att spänningen på nätet motsvarar den spänning som finns angiven på märkplåten.

- ◆ Om nätsladden är skadad måste den bytas ut av tillverkaren eller ett auktoriserad Stanley Fat Max-servicecenter för att farliga situationer ska undvikas.

Använda förlängningssladd

Använd alltid en godkänd förlängningssladd som klarar redskapets ineffekt (se Tekniska data). Förlängningssladden måste vara lämplig för utomhusbruk och märkt därefter. Det går att använda en 1.5 mm² HO5VV-F-förlängningssladd som är upp till 30 m lång utan spänningsförlust. Innan du använder sladden, kontrollera att den inte är skadad, sliten eller nött. Byt ut förlängningssladden om den är skadad eller defekt. Om du använder en sladdvinda, vira alltid av sladden fullständigt.

Funktioner

Detta verktyg har några eller samtliga av följande funktioner.

1. Sidohandtag
2. Strömbrytare
3. Trummskydd
4. SDS MAX-chuck
5. Insprutningsinlopp för smörjolja

Användning

Varning! Innan du gör något av nedanstående ska du kontrollera att verktyget är avstängt och fränkopplat.

Påslagning och avstängning (bild A)

- ◆ För att starta verktyget, tryck på knappen (2) och vrid den till läget "ON".
- ◆ För att stoppa verktyget, vrid den till läget "OFF" och släpp knappen (2).

Montering av sidohandtaget (bild B)

Sidohandtaget (1) kan monteras för att passa både höger- och vänsterhänta användare.

Varning! Använd aldrig verktyget utan sidohandtaget ordentligt monterat.

- ◆ Lossa sidohandtaget.
- ◆ För högerhänta användare: Skjut sidohandtagsklämman över hylsan bakom verktygshållaren, med handtaget till vänster. För vänsterhänta användare: Skjut sidohandtagsklämman över hylsan bakom verktygshållaren, med handtaget till höger.
- ◆ Vrid sidohandtaget till önskat läge och dra åt handtaget.

Sätt i och ta bort SDS Max-tillbehör (bild C,D)

Detta verktyg använder SDS Max-tillbehör (se bild D för ett tvärsnitt av ett SDS Max bitsskaft). Vi rekommenderar att man uteslutande använder professionella tillbehör.

- ◆ Rengör och smörj bitsskaftet.
- ◆ Sätt i bitsskaftet i bitshållaren/verktygshylsan (4).
- ◆ Tryck ner bitsen och vrid den lätt tills den passar i öppningarna.
- ◆ Dra i verktyget för att se om det är ordentligt spärrat. Hammarfunktionen kräver att verktyget kan svänga flera centimeter i längdriktningen medan det sitter i verktygshållaren.
- ◆ För att ta bort en bits, dra tillbaka verktygshållarens/låshylsan (4), som visas på bild C, och dra ut bitsen.

Varning! Bär alltid handskar när du byter ut tillbehör.

Exponerade metalldelar på verktyget och tillbehöret kan bli mycket heta under arbetet.

Hackning och mejsling (bild E)

- ◆ Sätt i lämplig mejsel (medföljer ej) i rätt position.
- ◆ Justera sidohandtaget (1) efter behov.

- ◆ Slå på verktyget och börja arbeta.
- ◆ Stäng alltid av verktyget när arbetet är klart och innan sladden dras ur.
- ◆ Följ alltid säkerhetsinstruktionerna och tillämpbara bestämmelser.
- ◆ Tänk på rör och ledningars placering.
- ◆ Använd endast ett lätt tryck på verktyget (cirka 5 kg). Större tryck gör inte att mejslingen går snabbare, utan reducerar verktygets prestanda och kan förkorta verktygets livslängd.
- ◆ Håll alltid verktyget ordentligt med båda händerna och se till att du står stadigt. Använd alltid verktyget med sidohandtaget ordentligt monterat.

Korrekt handplacering (bild F)

Varning! För att minska risken för allvarig personskada, använd ALLTID korrekt handställning, så som visas.

Varning! För att minska risken för allvarig personskada, håll ALLTID verktyget ordentligt, då en plötslig reaktion kan förekomma. Korrekt handplacering kräver ena handen på sidohandtaget (1) och den andra handen på huvudhandtaget.

Varning! Använd inte detta verktyg för att blanda eller pumpa väldigt brännbara eller explosiva vätskor (bensin, alkohol etc.). Blanda eller rör inte vätskor som är markerade som antändliga.

Tillbehör

Verktygets prestanda beror på vilka tillbehör du använder. Stanley Fat Max-tillbehören är av hög kvalitet och konstruerade för att fungera optimalt med verktyget. Med dessa tillbehör får du ut mesta möjliga av verktyget.

Underhåll

Detta Stanley Fat Max-verktyg/apparat (med eller utan sladd) är konstruerat för att fungera under lång tid med minimalt underhåll. Kontinuerlig tillfredsställande drift är beroende av ordentligt verktygsvård och regelbunden rengöring.

Varning! Innan något underhåll utförs på sladdanslutna/sladdlösa elverktyg:

- ◆ Stäng av apparaten/verktyget och dra ur nätkontakten.
- ◆ Du kan också ta ur batteriet ur apparaten/verktyget om apparaten/verktyget har ett separat batteri.
- ◆ Om batteriet är inbyggt låter du det laddas ur helt innan avstängningen.
- ◆ Dra ur sladden till laddaren innan du rengör den. Laddaren behöver inget annat underhåll än regelbunden rengöring.
- ◆ Rengör regelbundet apparatens/verktygets/laddarens luftintag med en mjuk borste eller torr trasa.
- ◆ Rengör motorhöljet regelbundet med en fuktig trasa. Använd aldrig något slipande eller lösningsmedelsbaserat rengöringsmedel.

- ◆ Öppna chucken (där sådan finns) med jämna mellanrum och knacka på den för att avlägsna damm som sitter på insidan.

Byte av elkontakten (endast Storbritannien och Irland)

Om en ny elkontakt måste monteras:

- ◆ Gör dig av med den gamla kontakten på lämpligt sätt.
- ◆ Anslut den bruna ledningen till den strömförande anslutningen i den nya kontakten.
- ◆ Anslut den blå ledningen till den icke strömförande anslutningen.

Varning! Ingenting bör kopplas till jordanslutningen. Följ de monteringsanvisningar som följer med kontakter av god kvalitet. Rekommenderad säkring: 10 A.

Skydda miljön



Separat insamling. Produkter och batterier som är markerade med denna symbol får inte kastas i de vanliga hushållsoporna.

Produkter och batterier innehåller material som kan återanvändas eller återvinnas för att minska behovet av råmaterial.

Återvinn elektriska produkter och batterier enligt lokala föreskrifter. Närmare information finns tillgänglig på www.2helpU.com

Tekniska data

		SFMEH200 (typ 1)
Spänning	V	220 - 240
Frekvens	Hz	50 - 60
Ineffekt	W	1010
Slaghastighet	bpm	2900
Slagkraft (EPTA/Max)	J	8.5
Chucktyp		SDS Max
Vikt	kg	6.3

SFMEH200 bullerjuddnivå enligt EN60745:		
Bullertryck (L_{pa})	dB(A)	85
Bullertryck osäkerhet (K_{pa})	dB(A)	3
Ljudtryck (L_{WA})	dB(A)	96
Ljudtryck osäkerhet (K_{WA})	dB(A)	3
Vibrationsvärde ah (mejsling):		
($a_{h,CH40}$)	m/s ²	11
Osäkerhet (K)	m/s ²	1.5

EG-försäkrän om överensstämmelse

MASKINDIREKTIVET



SMEH220 rivningshammare

Stanley Europe garanterar att produkterna som beskrivs under "tekniska data" uppfyller:

2006/42/EG, EN 60745-1, EN 60745-2-6

De här produkterna överensstämmer även med direktiven 2014/30/EU och 2011/65/EU. Mer information får du genom att kontakta Stanley Europe på följande adress eller titta i slutet av bruksanvisningen.

Undertecknad är ansvarig för sammanställningen av tekniska data och gör denna försäkrän för Stanley Europe.

A.P. Smith

Technical Director

Stanley Fat Max Europe, Egide Walschaertsstraat14-18,
2800 Mechelen, Belgien

22/07/2019

Garanti

Stanley Fat Max är säker på dess produkters kvalitet och erbjuder kunder 12 månaders garanti från inköpsdatumet. Garantin gäller utöver konsumentens rättigheter enligt lag och påverkar inte dessa. Garantin är giltig i de områden som tillhör medlemsstaterna i Europeiska unionen och det europeiska frihandelsområdet.

För yrkande under garantin måste yrkandet vara i enlighet med Stanley Fat Max villkor och du kommer att behöva skicka in bevis på köpet till försäljaren eller en auktoriserad reparatör. Villkoren för Stanley Fat Max ettåriga garanti och var du hittar din närmaste auktoriserade reparatör kan erhållas på internet på www.2helpU.com, eller genom att kontakta ditt lokala Stanley Fat Max kontor på adressen som angetts i denna bruksanvisning.

Besök vår webbplats www.stanley.eu/3 för att registrera din nya Stanley Fat Max produkt samt för att få information om nya produkter och specialerbjudanden.

Tiltentk bruk

STANLEY® FATMAX® SFMEH220 Meiselhammer er designet for lett eller middels meisling og hugging, og nedrivning av betong, teglstein og murarbeid. Dette verktøyet er tiltentk både fagarbeidere og privat bruk.

Sikkerhetsinstruksjoner**Generelle sikkerhetsadvarsler for elektroverktøy**

Advarsel! Les alle sikkerhetsadvarsler og alle instruksjoner. Hvis advarslene og anvisningene nedenfor ikke overholdes, kan det medføre elektrisk støt, brann og/eller alvorlige personskader.

Ta vare på alle advarsler og instruksjoner for fremtidig bruk. Uttrykket "elektroverktøy" i alle advarslene nedenfor gjelder for strømdrevne elektroverktøy (med ledning) og batteridrevne elektroverktøy (uten ledning).

1. Sikkerhet i arbeidsområdet

- Hold arbeidsområdet rent og godt opplyst.** Rotete eller mørke områder er en invitasjon til ulykker.
- Ikke arbeid med elektroverktøy i eksplosjonsfarlige omgivelser, for eksempel der det befinner seg brennbare væsker, gass eller støv.** Elektrisk verktøy skaper gnister som kan antenne støv eller gasser.
- Hold barn og andre personer unna når du bruker et elektroverktøy.** Distraksjoner kan føre til at du mister kontrollen.

2. Elektrisk sikkerhet

- Støpselet til verktøyet må passe til stikkkontakten. Aldri modifier støpselet på noen måte. Ikke bruk adapterstøpsler til jordede elektriske verktøy.** Umodifiserte støpsler og stikkontakter som passer vil redusere risikoen for elektrisk sjokk.
- Unngå kroppskontakt med jordede overflater som rør, radiatorer, komfyrer og kjøleskap.** Det er økt risiko for elektrisk støt dersom kroppen din er jordat.
- Ikke utsett elektroverktøy for regn eller fuktighet.** Dersom det kommer vann inn i et elektrisk verktøy vil det øke risikoen for elektrisk sjokk.
- Unngå uforvarlig behandling av ledningen. Aldri bruk ledningen til å bære, trekke eller dra ut støpselet til det elektriske verktøyet. Hold ledningen borte fra varme, olje, skarpe kanter eller bevegelige deler.** Skadede eller innviklede ledninger øker risikoen for elektrisk sjokk.
- Når du bruker et elektroverktøy utendørs, må du bruke en skjøteledning som er egnet til utendørs bruk.** Bruk av en skjøteledning beregnet for utendørs bruk reduserer risikoen for elektrisk støt.

- f. Hvis du ikke kan unngå å bruke elektroverktøy på et fuktig sted, må du bruke en strømforsyning som er beskyttet med jordfeilbryter (RCD). Bruk av jordfeilbryter (RCD) reduserer risikoen for elektrisk støt.
3. **Personsikkerhet**
- a. Vær oppmerksom, pass på hva du gjør, og vis sunn fornuft når du arbeider med et elektroverktøy. Ikke bruk et elektrisk verktøy dersom du er trøtt eller er påvirket av medikamenter, narkotika eller alkohol. Ett øyeblikks uoppmerksomhet under bruk av elektriske verktøy kan føre til alvorlig personskade.
- b. **Bruk personlig verneutstyr. Bruk alltid vernerbriller.** Verneutstyr slik som støvmaske, sklisikre vernesko, hjelm, eller hørselsvern brukt under passende forhold vil redusere personskader.
- c. **Forhindre utilsiktet start. Kontroller at bryteren står i posisjon "av" før du kobler til strømkilden og/eller batteripakken, og før du tar opp eller bærer verktøyet.** Å bære elektriske verktøy med fingeren på bryteren eller å sette inn støpselet mens elektriske verktøy har bryteren på øker faren for ulykker.
- d. **Fjern eventuelt innstillingsverktøy eller skruverktøy før du slår på elektroverktøyet.** Et skruverktøy eller en nøkkel som fortsatt er festet til en roterende del av elektroverktøyet, kan føre til personskade.
- e. **Ikke strekk deg for langt. Ha godt fofeste og stå støtt hele tiden.** Dette fører til at du har bedre kontroll over det elektriske verktøyet ved uventede situasjoner.
- f. **Bruk egnede klær. Ikke ha på deg løstsittende klær eller smykker. Hold hår, antrekk og hansker borte fra bevegelige deler.** Løstsittende klær, smykker og langt hår kan bli fanget opp av bevegelige deler.
- g. **Hvis det kan monteres støvavsug- og oppsamlingsinnretninger, må du forvise deg om at disse er tilkoblet og brukes på riktig måte.** Bruk av støvoppsamlere kan redusere støvrelaterte farer.
4. **Bruk og behandling av elektroverktøy**
- a. **Ikke bruk makt på elektroverktøyet. Bruk det elektriske verktøyet som situasjonen krever.** Det riktige elektriske verktøyet vil gjøre jobben bedre og tryggere ved den hastigheten det ble konstruert for.
- b. **Ikke bruk elektroverktøyet hvis du ikke kan slå det på og av med bryteren.** Ethvert elektrisk verktøy som ikke kan kontrolleres med bryteren er farlig og må repareres.
- c. **Trekk støpselet ut av stikkontakten og/eller koble fra batteripakken på elektroverktøyet før du utfører innstillinger, bytter tilbehør eller legger elektroverktøyet bort for lagring.** Slike preventive sikkerhetsforanstaltninger reduserer risikoen for å starte det elektriske verktøyet ved et uhell.
- d. **Elektroverktøy som ikke er i bruk, må oppbevares utilgjengelig for barn. Ikke la verktøyet bli brukt av personer som ikke er fortrolige med det, eller som ikke kjenner disse instruksjonene.** Elektriske verktøy er farlige i hendene på utrenede brukere.
- e. **Sørg for vedlikehold av elektroverktøy. Undersøk om bevegelige deler er feiljustert eller blokkert, om deler er skadet, og om det er andre forhold som kan påvirke elektroverktøyet funksjon. Dersom det er skadet, få verktøyet reparert før neste bruk.** Mange ulykker forårsakes av dårlig vedlikeholdte verktøy.
- f. **Hold skjæreverktøy skarpe og rene.** Godt vedlikeholdte skjæreverktøy med skarpe skjærekanten setter seg mindre sannsynlig fast og er lettere å kontrollere.
- g. **Bruk elektroverktøy, tilbehør, bits osv. i henhold til disse instruksjonene. Ta hensyn til arbeidsforholdene og arbeidet som skal utføres.** Bruk av det elektriske verktøyet for oppgaver som er forskjellige fra de som er tiltenkt kan føre til en farlig situasjon.
5. **Service**
- a. **Elektroverktøyet skal repareres av kvalifisert personell og bare med originale reservedeler.** Dette vil sikre at verktøyet sikkerhet blir ivarettatt.

Ytterligere sikkerhetsadvarsler for elektroverktøy



Advarsel! Ekstra sikkerhetsadvarsel for meiselhammere.

- ◆ **Bruk hørselsvern.** Å bli utsatt for støy kan forårsake hørselstap.
- ◆ **Bruk hjelpehåndtak som følger ned verktøyet.** Å miste kontroll kan forårsake personskade.
- ◆ **Hold det elektriske verktøyet kun i isolerte gripeoverflater når du utfører operasjoner hvor kutteutstyret kan komme i kontakt med skjulte ledninger eller egen ledning.** Hvis skjæretilbehøret kommer i kontakt med en strømførende ledning, kan frittliggende metalldele på verktøyet bli strømførende, og brukeren kan få elektrisk støt
- ◆ **Vær sikker på at materialet som drilles ikke skjuler elektriske ledninger eller gassrør, og at plasseringen av disse er bekreftet av behørlige parter.**
- ◆ **Hold fast i verktøyet til enhver tid. Prøv ikke å bruke dette verktøyet uten at du holder i det med begge hender. Bruk av verktøyet med kun en hånd resulterer i at du mister kontroll.** Brudd gjennom eller støt mot harde materialer så som armering kan også være farlig. Stram sidehåndtaket godt før bruk.
- ◆ **Sørg for at meiselen er godt på plass før du bruker verktøyet.**

- ◆ **Under kalde værforhold eller når verktøyet ikke har vært brukt på lengre tid, bør du la verktøyet kjøle seg ned uten last i flere minutter før bruk.**
- ◆ **Når du jobber over bakkenivå, må du sikre at området nedenfor er klart.**
- ◆ **Berør ikke meiselen eller deler nær meiselen straks etter bruk, da de kan være svært varme og føre til brannskader på huden.**
- ◆ **Før alltid strømkabelen bakover og bort fra meiselen.**
- ◆ **Bruk ikke dette verktøyet i lange perioder. Vibrasjon forårsaket av slagaksjonen kan skade hendene og armene.** Bruk hansker for å gi ekstra polstring og begrense risikoen ved å ta hyppige pauser..

Andre personers sikkerhet

- ◆ Apparatet er ikke ment for bruk av personer (inkludert barn) med redusert fysiske, sensoriske eller mentale evner, eller mangel på erfaring og kunnskap, med mindre de får tilsyn eller har blitt opplært i bruk av apparatet av en person ansvarlig for deres sikkerhet.
- ◆ Barn må holdes under oppsyn, sørg for at de ikke leker med apparatet.

Andre risikoer.

Når verktøyet brukes, kan det oppstå ytterligere risikoer som kanskje ikke er beskrevet i de medfølgende sikkerhetsadvarslene. Disse risikoene kan bli forårsaket av feil bruk, langvarig bruk osv.

Selv om de relevante sikkerhetsbestemmelsene blir fulgt, og sikkerhetstiltakene blir gjennomført, kan visse gjenværende risikoer ikke unngås. Disse inkluderer:

- ◆ Personskader som forårsakes av berøring av en roterende/bevegelig del.
- ◆ Personskader som forårsakes av at en del, et blad eller tilbehør endres.
- ◆ Personskader som forårsakes av langvarig bruk av apparatet. Når du bruker et verktøy i lange perioder, må du sørge for å ta regelmessige pauser.
- ◆ Hørselskader.
- ◆ Helsefare som skyldes innånding av støv som dannes når du bruker verktøyet (for eksempel under arbeid med tre, spesielt eik, bøk og MDF.)

Vibrasjon

Vibrasjonsemisjonsverdien som er angitt under tekniske data og samsvarserklæring, er blitt målt i henhold til en standard testmetode som er angitt i EN 60745, og kan brukes til å sammenligne et verktøy med et annet. Den oppgitte vibrasjonsemisjonsverdien kan også brukes til en foreløpig vurdering av eksponering.

Advarsel! Vibrasjonsemisjonsverdien under faktisk bruk av elektroverktøyet kan avvike fra den oppgitte verdien avhengig av måten verktøyet blir brukt på.

Vibrasjonsnivået kan øke over nivået som er oppgitt. Når det vurderes vibrasjonseksponering for å avgjøre hvilke sikkerhetstiltak som kreves ifølge 2002/44/EF, for å beskytte personer som bruker elektroverktøy regelmessig til arbeidsformål, skal det, når vibrasjonseksponeringen anslås, tas hensyn til de faktiske bruksforholdene og måten verktøyet blir brukt på. Dette inkluderer å ta hensyn til alle deler av brukssyklusen, for eksempel når verktøyet er avslått, når det går på tomgang og når utløseren er trykket inn.

Etiketter på verktøyet

Følgende symboler vises på verktøyet sammen med datokoden:



Advarsel! Brukeren må lese håndboken for å redusere risikoen for personskade.



Bruk vernebriller.



Bruk hørselsvern.

Elektrisk sikkerhet



Dette verktøyet er dobbeltisolert. Jording er derfor ikke nødvendig. Kontroller alltid at strømforsyningen samsvarer med spenningen på merkeskiltet.

- ◆ Hvis strømledningen blir skadet, må den skiftes av produsenten eller et autorisert Stanley Fat Max-servicesenter, slik at man unngår farlige situasjoner.

Bruke skjøteledning

Bruk alltid en godkjent skjøteledning som passer til inngangseffekten for dette verktøyet (se tekniske data). Skjøteledningen må passe for utendørs bruk og skal være merket i samsvar med dette. Opptil 30 m 1,5 mm² HO5VV-F-skjøteledning kan brukes uten tap av ytelse for maskinen. Før bruk må du undersøke skjøteledningen for tegn på skade, slitasje og aldring. Bytt skjøteledningen hvis den er skadet eller defekt. Vikle alltid ut kablen fullstendig når du bruker en kabeltrommel.

Funksjoner

Dette verktøyet har noen av eller alle følgende egenskaper.

1. Sidehåndtak
2. Bryter
3. Sylinderdeksel
4. SDS MAX Chuck
5. Inntak for smørelje

Bruk

Advarsel! Før du utfører noen av fremgangsmåtene nedenfor, må du kontrollere at verktøyet er slått av og kontakten plugges ut.

Slå på og av (figur A)

- ◆ Trykk på bryteren (2) og sett den i «PÅ»-posisjon for å starte verktøyet.
- ◆ Sett den i «AV»-posisjon og slipp bryteren (2) for å stoppe verktøyet.

Montere sidehåndtaket (figur B)

Sidehåndtaket (1) kan monteres for å tilpasses både høyrehendte og venstrehendte brukere.

Advarsel! Bruk ikke verktøyet uten at sidehåndtaket er riktig montert.

- ◆ Løsne sidehåndtaket.
- ◆ For høyrehendte brukere: Skyv sidehåndtakfestet over muffen bak verktøyholderen, håndtaket til venstre. For venstrehendte brukere: Skyv sidehåndtakfestet over muffen bak verktøyholderen, håndtaket til høyre.
- ◆ Roter sidehåndtaket til ønsket posisjon og stram håndtaket.

Sette inn og fjerne SDS Max tilbehør (figur C, D)

Denne verktøyet bruker SDS Max-tilbehør (se figur D for et snitt av et SDS Max borskafet). Vi anbefaler at det brukes kun profesjonelt tilbehør.

- ◆ Rengjør og smør borskafet.
- ◆ Sett inn borskafet i borholderen/verktøyhylsen (4).
- ◆ Skyv boret ned og vri det litt til den passer inn i sporene.
- ◆ Dra i boret for å sjekke at den er riktig låst. Hammerfunksjonen krever at boret kan bevege seg aksialt flere centimeter når det er låst i verktøyholderen.
- ◆ For å ta ut en bit, trekk verktøyholderen (4) tilbake, som vist i figur C, og trekk ut bit-en.

Advarsel! Bruk alltid hansker når du skifter tilbehør. Utsatte metalldeleer på verktøyet og tilbehøret kan bli ekstremt varme under bruk.

Meisling og hakking (figur E)

- ◆ Sett i en egnet meisel (medfølger ikke) i riktig posisjon.
- ◆ Juster sidehåndtaket (1) etter behov.
- ◆ Slå på verktøyet og begynn arbeidet.
- ◆ Verktøyet skal alltid skrus av når arbeidet er ferdig og før du kopler fra strømtilførselen.
- ◆ Følg alltid sikkerhetsanvisningene og gjeldende regler.
- ◆ Vær oppmerksom på hvor rør og ledninger befinner seg.
- ◆ Bruk bare lett trykk på verktøyet (ca. 5 kg). Bruk av overdreven makt gjør ikke meislingen raskere, men minsker verktøyets ytelse og kan forkorte verktøyets levetid.
- ◆ Hold alltid verktøyet godt i begge hender og stå godt. Bruk verktøyet kun når sidehåndtaket er riktig montert.

Korrekt plassering av hendene (figur F)

Advarsel! For å redusere faren for alvorlig personskade, skal man ALLTID ha hendene i korrekt posisjon, som vist.

Advarsel! For å redusere faren for alvorlig personskade, skal du ALLTID holde godt fast, for å være forberedt på en plutselig reaksjon. Riktig stilling for hendene er å ha en hånd på sidehåndtaket (1) og den andre på hovedhåndtaket.

Advarsel! Bruk ikke dette verktøyet for å blande eller pumpe lett brennbare eller eksplosive væsker (lettbensin, alkohol osv.). Ikke rør eller bland brennbare væsker som er merket slik.

Tilbehør

Verktøyets ytelse avhenger av hva slags tilbehør som brukes. Stanley Fat Max-tilbehør er produsert etter høye kvalitetsstandarder og er konstruert for å bedre verktøyets ytelse. Hvis du bruker dette tilbehøret, får du mest mulig ut av verktøyet ditt.

Vedlikehold

Det nettdrevne/batteridrevne Stanley Fat Max-apparatet/verktøyet er konstruert for å være i drift over lengre tid med et minimum av vedlikehold. For at den skal fungere tilfredsstillende over tid, er det viktig å sørge for riktig stell av verktøyet og regelmessig renhold.

Advarsel! Før du utfører vedlikehold på elektriskdrevet/batteridrevet elektroverktøy:

- ◆ Slå av apparatet/verktøyet og trekk ut støpselet.
- ◆ Eller slå av apparatet/verktøyet, og fjern batteriet fra dette hvis apparatet/verktøyet har separat batteripakke.
- ◆ Eller la batteriet gå helt tomt hvis det er innebygd, og slå deretter av.
- ◆ Trekk ut laderen fra stikkkontakten før du rengjør den. Laderen krever ikke annet vedlikehold enn regelmessig rengjøring.
- ◆ Rengjør ventilasjonsåpningene i apparatet/verktøyet/laderen jevnlig med en myk børste eller tørr klut.
- ◆ Rengjør motorhuset regelmessig med en fuktig klut. Ikke bruk slipende eller løsemiddelbaserte rengjøringsmidler.
- ◆ Åpne chucken regelmessig, og bank på den for å fjerne eventuelt støv fra innsiden (hvis det er aktuelt).

Skifte støpsele (bare Storbritannia og Irland)

Dersom du trenger å sette på et nytt støpsele:

- ◆ Kast det gamle støpselet på en trygg måte.
- ◆ Koble den brune ledningen til den strømførende terminalen i det nye støpselet.
- ◆ Koble den blå ledningen til den nøytrale terminalen.

Advarsel! Jordingslederen skal ikke kobles til. Følg monteringsanvisningen som medfølger støpsler av god kvalitet. Anbefalt sikring: 10 A.

Miljøvern



Separat avfallshåndtering. Produkter og batterier merket med dette symbolet skal ikke kastes i vanlig husholdningsavfall.

Produkter og batterier inneholder materialer som kan gjenbrukes eller gjenvinnes for å redusere behovet for nye råmaterialer.

Vennligst lever elektrisk utstyr og batterier til gjenbruk i henhold til lokale regler. Mer informasjon finner du på www.2helpU.com

Tekniske data

		SFMEH220 (Type 1)
Spenning	V	220 - 240
Frekvens	Hz	50 - 60
Inngangseffekt	W	1010
Slagfrekvens	bpm	2900
Slagenergi (EPTA/maks)	J	8,5
Chuck-type		SDS Max
Vekt	kg	6,3

SFMEH220 Lydtrykknivå i henhold til EN60745:

Lydtrykk (L_{pA})	dB(A)	85
Lydtrykk-usikkerhet (K_{pA})	dB(A)	3
Lydeffekt (L_{WA})	dB(A)	96
Lydeffekt-usikkerhet (K_{WA})	dB(A)	3

Vibrasjonsemissionsverdi ah (meisling):

($a_{h,CHet}$)	m/s ²	11
Usikkerhet (K)	m/s ²	1,5

EF-samsvarerklæring
MASKINDIREKTIVET

SMEH220 Meiselhammer

Stanley Europe erklærer at disse produktene som er beskrevet under «Tekniske data» er i samsvar med: 2006/42/EF, EN 60745-1, EN 60745-2-6

Disse produktene er også i samsvar med direktiv 2014/30/EU og 2011/65/EU. Hvis du ønsker mer informasjon, kontakt Stanley Europe på følgende adresse, eller se på baksiden av håndboken.

Undertegnede er ansvarlig for utarbeidelsen av den tekniske dokumentasjonen og gir denne erklæringen på vegne av Stanley Europe.

A.P. Smith
Technical Director

Stanley Fat Max Europe, Egide Walschaertsstraat14-18,
2800 Mechelen, Belgia
22/07/2019

Garanti

Stanley Fat Max er trygg på kvaliteten av produktene sine og tilbyr en 12 måneders garanti fra kjøpsdato. Denne garantierklæringen kommer i tillegg til dine lovbestemte rettigheter og er ikke i konflikt med disse. Garantien er gyldig innen områdene tilhørende medlemslandene i den Europeiske Union (EU) og det Europeiske Frihandelsområdet (EFTA). For å ta garantien i bruk må kravet være i samsvar med kjøpsbetingelsene fra Stanley Fat Max og du må vise kjøpskvittering til forhandleren eller til et autorisert serviceverksted. Betingelsene for Stanley Fat Max 1 års garanti og adressen til din nærmeste autoriserte serviceverksted kan du finne på internett under www.2helpU.com, eller ved å kontakte ditt lokale Stanley Fat Max kontor, adressen er angitt i denne bruksanvisningen. Besøk våre nettsider på www.stanley.eu/3 for å registrere ditt nye Stanley Fat Max-produkt og for å få informasjon om nye produkter og spesialtilbud.

(Oversættelse af de oprindelige instruksjoner)

DANSK

Tilsigtet brug

STANLEY® FATMAX® SFMEH220 nedbrydningshammer er blevet udviklet til let eller middel fræsning, meisling og nedbrydningsopgaver i beton, mursten og murværk. Dette værktøj er beregnet til erhvervsmæssig brug og privat ikke-erhvervsmæssig bruger.

Sikkerhedsinstruktioner

Generelle sikkerhedsadvarsler vedrørende elværktøj



Advarsel! Læs alle sikkerhedsadvarsler og alle instruktioner. Hvis efterfølgende advarsler og instruktioner ikke følges, er der risiko for elektrisk stød, brand og alvorlige kvæstelser.

Gem alle advarsler og instruktioner til fremtidig reference.

Begrebet "elværktøj", der benyttes i nedenstående advarsler, henviser til netdrevet elværktøj (med netledning) eller batteridrevet elværktøj (uden netledning).

1. Sikkerhed i arbejdsområdet

- a. **Hold arbejdsområdet rent og ordentligt oplyst.** Rodede eller mørke områder giver anledning til ulykker.
- b. **Brug ikke elværktøj i eksplosive omgivelser, f.eks. hvor der er brændbare væsker, gasser eller støv.** Elværktøj danner gnister, der kan antænde støv eller dampe.
- c. **Hold børn og andre personer i nærheden på afstand, når der arbejdes med elværktøj.** Distractioner kan medføre, at du mister kontrollen.

2. Elektricitet og sikkerhed

- a. **Elværktøjets stik skal passe til kontakten. Stikket må aldrig modificeres på nogen måde. Undlad at bruge adapterstik sammen med (jordforbundet) elektrisk værktøj.**
Umodificerede stik og dertil passende stikkontakter reducerer risikoen for elektrisk stød.
- b. **Undgå kropskontakt med jordforbundne overflader som f.eks. rør, radiatorer, komfurer og køleskabe.** Der er øget risiko for elektrisk stød, hvis din krop er jordforbundet.
- c. **Udsæt ikke elværktøj for regn, og brug det ikke, hvor omgivelserne er våde.** Hvis der trænger vand ind i et elektrisk værktøj, øges risikoen for elektrisk stød.
- d. **Pas på, at ledningen ikke beskadiges. Brug aldrig ledningen til at bære, trække værktøjet eller trække det ud af stikkontakten. Hold ledningen borte fra varme, olie, skarpe kanter og bevægelige dele.** Beskadigede eller sammenfiltrede ledninger øger risikoen for elektrisk stød.
- e. **Hvis elværktøj benyttes i det fri, skal der benyttes en forlængerledning, som er godkendt til udendørs brug.** Brug af en ledning, der er egnet til udendørs brug, reducerer risikoen for elektrisk stød.
- f. **Brug en strømkilde med fejlstrømsrelæ, hvis det er nødvendigt at anvende elværktøj på fugtige steder.** Ved at benytte en fejlstrømsafbryder reduceres risikoen for elektrisk stød.

3. Personssikkerhed

- a. **Vær opmærksom, hold øje med, hvad du laver, og brug elværktøjet fornuftigt. Betjen ikke værktøjet, hvis du er træt, påvirket af narkotika, alkohol eller medicin.** Et øjeblik uopmærksomhed under anvendelse af et elektrisk værktøj kan forårsage alvorlige kvæstelser.
- b. **Brug personligt beskyttelsesudstyr. Bær altid beskyttelsesbriller.**

Det er muligt at reducere risikoen for kvæstelser ved alt efter omstændighederne at anvende det passende sikkerhedsudstyr såsom støvmaske, skridsikre sikkerhedssko, sikkerhedshjelm eller høreværn.

- c. **Træf forholdsregler, så utilsigtet start ikke er mulig. Kontrollér, at afbryderkontakten står på slukket, inden værktøjet tilsluttes strømkilden og/eller batteriet, samles op eller bæres.** Når elektrisk værktøj bæres med fingeren på kontakten eller tilsluttes, når kontakten er tændt, giver det anledning til ulykker.
 - d. **Fjern indstillingsnøgle eller skruenøgle, inden elværktøjet startes.** En skruenøgle eller anden nøgle, der bliver siddende på en roterende del af elektrisk værktøj, kan give anledning til personskade.
 - e. **Stræk dig ikke for langt. Hold hele tiden en god fodstilling og balance.** Dette udgør at du har bedre kontrol over det elektriske værktøj, når uventede situationer opstår.
 - f. **Brug egnet arbejdstøj. Bær ikke løst tøj eller smykker. Hold dit hår, tøj og handsker væk fra bevægelige dele.** Løstsiddende tøj, smykker eller langt hår kan blive fanget i bevægelige dele.
 - g. **Hvis der kan monteres støvudsugnings- og opsamlingsudstyr, skal dette tilsluttes og benyttes korrekt.** Anvendelse af støvopsamlingsudstyr kan begrænse farer forårsaget af støv.
4. **Brug og vedligeholdelse af elværktøj**
 - a. **Overbelast ikke elværktøjet. Brug det elværktøj, der er bedst egnet til det arbejde, der skal udføres.** Det korrekte elværktøj klarer opgaven bedre og mere sikkert med den effekt, som det er konstrueret til.
 - b. **Brug ikke elværktøjet, hvis afbryderkontakten er defekt.** Alt elektrisk værktøj, der ikke kan kontrolleres med kontakten, er farligt og skal repareres.
 - c. **Træk stikket ud af stikkontakten og/eller batteriet inden indstilling, tilbehørsudskiftning eller opbevaring af elværktøjet.** Sådanne forebyggende sikkerhedsforanstaltninger mindsker risikoen for, at værktøjet startes utilsigtet.
 - d. **Opbevar ubenyttet elværktøj uden for børns rækkevidde. Lad aldrig personer, der ikke er fortrolige med elværktøjet, eller som ikke har læst denne vejledning, benytte maskinen.** El-værktøj er farligt i hænderne på personer, som ikke er instrueret i brugen deraf.
 - e. **Elværktøj skal vedligeholdes. Kontroller, om bevægelige dele er skæve og ikke sidder fast, og om delene er brækket eller beskadiget, så elværktøjets funktion påvirkes. Hvis det elektriske værktøj er beskadiget, skal det repareres før brug.** Mange ulykker er forårsaget af dårligt vedligeholdt værktøj.
 - f. **Hold skæreværktøj skarpt og rent.**

Ordentligt vedligeholdt skæreværktøj med skarpe skærekanter har mindre tilbøjelighed til at binde og er lettere at styre.

- g. **Brug elværktøjet, tilbehøret, værktøjsindsatser osv. i overensstemmelse med disse instruktioner under hensyntagen til arbejdsforholdene og arbejdet, der skal udføres med værktøjet.** Brug af elektrisk værktøj til andre opgaver end dem, det er beregnet til, kan resultere i en farlig situation.

5. Service

- a. **Lad kun fagkyndige personer reparere elværktøjet og benyt kun originale reservedele.** Derved sikres det, at værktøjets driftssikkerhed opretholdes.

Yderligere sikkerhedsadvarsler for elværktøj



Advarsel! Yderligere sikkerhedsadvarsler for nedbrydningshammeren.

- ◆ **Bær høreværn.** Udsættelse for støj kan medføre høretab.
- ◆ **Brug de ekstra håndtag, der følger med værktøjet.** Tab af kontrol kan medføre personskaade.
- ◆ **Hold kun fast i elværktøjet ved hjælp af de isolerede håndtagsflader, når der skal saves i emner, hvor skæreværktøjet kan berøre skjulte ledninger eller sit eget kabel.** Hvis skæretilbehøret rammer en strømførende ledning, bliver elværktøjets blottagte dele strømførende, så brugeren
- ◆ **Vær sikker på, at materialet, der bores, ikke skjuler el- eller gasservice, og at deres placeringer er blevet bekræftet med forsyningsselskaberne.**
- ◆ **Hold godt fast på værktøjet hele tiden. Forsøg ikke på at arbejde med dette værktøj uden at holde ved det med begge hænder. Hvis du arbejder med dette værktøj med en hånd, kan du miste kontrollen over det.** Gennembrydning af eller møde med hårde materialer som f.eks. armeringsjern kan også være farligt. Fastspænd omhyggeligt sidehåndtaget før brug.
- ◆ **Sørg for, at mejslen sidder godt fast, inden værktøjet betjenes.**
- ◆ **Under kolde vejrforhold, eller når værktøjet ikke er blevet anvendt gennem længere tid, skal værktøjet køre uden belastning i adskillige minutter inden brug.**
- ◆ **Når der arbejdes over jordoverfladen, skal du sørge for, at området nedenunder er ryddet.**
- ◆ **Rør ikke ved mejslen eller dele tæt på mejslen lige efter boringen, da de kan være meget varme og kan medføre forbrændinger på huden.**
- ◆ **Før altid strømledningen bagved og væk fra mejslen.**
- ◆ **Arbejd ikke med dette værktøj i længere tid ad gangen. Vibrationer fra hammeren kan beskadige dine hænder og arme.**

Brug handsker som ekstra stødpude og begræns risikoen ved at holde hyppige pauser.

Andres sikkerhed

- ◆ Dette udstyr er ikke beregnet til anvendelse af personer (inklusive børn) med nedsatte fysiske, sensoriske eller mentale handicaps eller med mangel på erfaringer eller viden, medmindre de er under overvågning eller har fået instruktioner i brugen af udstyret af en person, der er ansvarlig for deres sikkerhed.
- ◆ Børn skal holdes under opsyn, så det sikres, at de ikke leger med værktøjet.

Resterende risici.

Der kan opstå yderligere, tilbageværende risici under brugen af apparatet, som muligvis ikke behandles i de vedlagte sikkerhedsadvarsler. Disse risici kan opstå pga. forkert anvendelse, langvarig brug etc.

Selv ved overholdelse af relevante sikkerhedsforskrifter og anvendelse af sikkerhedsudstyr kan visse resterende risici ikke undgås. Disse omfatter:

- ◆ Tilskadekomst forårsaget af berøring af roterende/ bevægelige dele.
- ◆ Tilskadekomst forårsaget af udskiftning af dele, klinger eller tilbehør.
- ◆ Tilskadekomst forårsaget af langvarig brug af et apparat. Husk at holde pause jævnlige ved brug af et apparat i længere tid.
- ◆ Hørenerdsættelse.
- ◆ Sundhedsrisici forårsaget af indånding af støv, der genereres ved brug af dit apparat (eksempel: arbejde med træ, især eg, bøg og MDF.)

Vibration

De angivne værdier for udsendelse af vibration opført under de tekniske data og overensstemmelseserklæringen er målt i henhold til standardtestmetoden anført i EN 60745 og kan bruges til at sammenligne ét værktøj med et andet. Den angivne vibrationsmissionsværdi kan også bruges i forbindelse med en foreløbig vurdering af eksponeringen.

Advarsel! Værdien for vibrationsmission ved faktisk brug af elværktøjet kan afvige fra den angivne værdi afhængig af måden, værktøjet anvendes på. Vibrationsniveauet kan overstige det angivne niveau.

I vurderingen af eksponeringen for vibration med henblik på fastsættelse af sikkerhedsforanstaltninger som krævet i 2002/44/EF til beskyttelse af personer, der jævnligt anvender elværktøj i deres arbejde, skal der tages hensyn til de faktiske betingelser under brugen, og måden værktøjet bruges på, herunder alle arbejdsrytters afsnit, f.eks. perioder, hvor værktøjet er slukket, og hvor det kører i tomgang, tillige med startperioderne.

Mærkatet på værktøjet

Værktøjet er forsynet med følgende piktogrammer sammen med en datokode:



Advarsel! Brugeren skal læse brugervejledningen for at reducere risikoen for kvæstelser.



Bær sikkerhedsbriller eller beskyttelsesbriller.



Bær høreværn.

Elektricitet og sikkerhed



Dette værktøj er dobbelt isoleret, derfor er en jordledning ikke nødvendig. Kontrollér altid, at strømforsyningen svarer til spændingen på mærkepladen.

- ◆ Hvis netledningen beskadiges, skal den udskiftes af producenten eller et autoriseret Stanley Fat Max-værksted, så farlige situationer undgås.

Brug af en forlængerledning

Brug altid en godkendt forlængerledning, der er egnet til dette apparats strømstik (se de tekniske data).

Forlængerledningen skal være egnet til udendørs brug og mærket i overensstemmelse hermed. Der kan bruges en HO5VV V-F-forlængerledning på op til 30 m med et tværsnit på 1.5 mm², uden at produktets ydeevne forringes. Før brug skal forlængerledningen inspiceres for tegn på beskadigelse, slid og ældning. Udskift forlængerledningen, hvis den er beskadiget eller defekt. Ved brug af en ledningstrømle skal ledningen altid ruller helt ud.

Funktioner

Apparatet har nogle eller alle af de følgende funktioner.

1. Sidehåndtag
2. Kontakt
3. Cylinderdæksel
4. SDS MAX-patron
5. Åbning til indsprøjtning af smøroleolie

Anvendelse

Advarsel! Sørg for at værktøjet er afbrudt, og at stikket er taget ud, inden nogle af de følgende funktioner foretages.

Sådan tændes og slukkes (Fig. A)

- ◆ Tænd for værktøjet ved at trykke på kontakten (2) og sætte det i 'Tænd'-position.
- ◆ Stop værktøj ved at dreje det i 'Sluk'-position og slippe kontakten (2).

Montering af sidehåndtaget (fig. B)

Sidehåndtaget (1) kan monteres, så det passer både til højre- og venstrehåndede brugere.

Advarsel! Værktøjet må ikke anvendes uden sidehåndtaget monteret korrekt.

- ◆ Løsn sidehåndtaget.
- ◆ For højrehåndede brugere: Skub sidehåndtagsholderen over kraven bag værktøjsholderen, håndtaget til venstre. For venstrehåndede brugere: Skub sidehåndtagsholderen over kraven bag værktøjsholderen, håndtaget til højre.
- ◆ Drej sidehåndtaget til den ønskede position og stram håndtaget.

Indsætning og aftagning af SDS Max-tilbehør (fig. C,D)

Dette værktøj bruger SDS Max-tilbehør (se figur D for et tværsnit af et SDS Max borskaft). Vi anbefaler kun at bruge professionelt tilbehør.

- ◆ Rengør og smør borskaftet.
- ◆ Indsæt borskaftet i borholderen/værktøjssbøsningen (4).
- ◆ Skub boret ned og drej det lidt, indtil det passer ind i hullerne.
- ◆ Træk i boret for at kontrollere, om det er fastgjort korrekt. Det er nødvendigt, at boret kan bevæge sig aksialt flere centimeter ved hammerfunktionen, når det er låst fast i værktøjsholderen.
- ◆ Du afmonterer boret ved at trække værktøjsholderen/låsebøsningen (4) tilbage, som vist i figur C, og trække boret ud.

Advarsel! Bær altid handsker ved udskiftning af tilbehør. De eksponerede metaldele på værktøjet og tilbehør kan blive meget varme under drift.

Fræsning og mejsling (fig. E)

- ◆ Indsæt den passende mejsel (medfølger ikke) i den rette position.
- ◆ Juster sidehåndtaget (1) efter behov.
- ◆ Tænd for værktøjet og start arbejdet.
- ◆ Sluk altid for værktøjet, når arbejdet er udført, og inden stikket tages ud.
- ◆ Overhold altid sikkerhedsvejledningen og de gældende regler.
- ◆ Vær opmærksom på placeringen af rørene og ledningerne.
- ◆ Udøvn kun et ganske let tryk mod værktøjet (ca. 5 kg). Overdreven kraftudøvelse gør det ikke hurtigere at mejse. Det nedsætter snarere værktøjets ydeevne og levetid.
- ◆ Hold altid godt fast i værktøjet med begge hænder, og hav et sikkert fodfæste. Værktøjet må kun anvendes med sidehåndtaget monteret korrekt.

Korrekt håndposition (fig. F)

Advarsel! For at reducere risikoen for alvorlig personskade skal du ALTID anvende den rette håndposition som vist.

Advarsel! For at reducere risikoen for alvorlig personskade skal du ALTID holde godt fast i tilfælde af en pludselig reaktion.

Det er nødvendigt med én hånd på sidehåndtaget (1) og den anden hånd på hovedhåndtaget for korrekt håndposition.

Advarsel! Brug ikke dette værktøj til at blande eller pumpe let brændbare eller eksplosive væsker (benzin, sprit osv.). Bland eller rør ikke brandfarlige væsker sammen, der er afmærkede i overensstemmelse hermed.

Tilbehør

Værktøjets ydeevne afhænger af det anvendte tilbehør. Tilbehør fra Stanley Fat Max er fremstillet efter høje kvalitetsstandarder og er designet til at forbedre dit værktøjs ydeevne. Når du bruger dette tilbehør, vil værktøjet yde optimalt.

Vedligeholdelse

Dit Stanley Fat Max-apparat med eller uden ledning er beregnet til brug gennem lang tid med et minimum af vedligeholdelse. Vedvarende tilfredsstillende funktion er afhængig af, om apparatet plejes korrekt og rengøres regelmæssigt.

Advarsel! Før udførelse af nogen form for vedligeholdelse på elværktøj med/uden ledning:

- ◆ Sluk, og tag apparatets/værktøjets stik ud af stikkontakten.
- ◆ Eller sluk og fjern batteriet fra apparatet/værktøjet, hvis det har en separat batteripakke.
- ◆ Eller aflad batteriet helt, hvis det er indbygget, og sluk derefter.
- ◆ Træk opladeren ud af stikkontakten, før den rengøres. Opladeren kræver ingen vedligeholdelse, men skal rengøres jævnligt.
- ◆ Rengør jævnligt apparatets/værktøjets/laderens ventilationshuller med en blød børste eller en tør klud.
- ◆ Rengør med jævne mellemrum motorhuset med en fugtig klud. Der må ikke bruges skuremidler eller opløsningsmidler.
- ◆ Åbn jævnligt patronen, og bank på den for at fjerne indvendigt støv (hvis monteret).

Udskiftning af netstik (kun Storbritannien og Irland)

Hvis et nyt lysnetstik skal monteres:

- ◆ Det gamle stik skal bortskaffes på en sikker måde.
- ◆ Slut den brune ledning til den strømførende klemme på det nye stik.
- ◆ Slut den blå ledning til den neutrale klemme.

Advarsel! Der skal ikke tilslutes til jordklemmen. Følg de monteringsinstruktioner, der følger med stik af god kvalitet. Anbefalet sikring: 10 A.

Miljøbeskyttelse



Særskilt bortskaffelse. Produkter og batterier mærket med dette symbol må ikke bortskaffes sammen med normalt husholdningsaffald.

Produkter og batterier indeholder materialer, der kan genvindes eller genbruges og således reducere efterspørgslen efter råvarer.

Genbrug venligst elektriske produkter og batterier i henhold til lokale bestemmelser. Yderligere informationer findes på www.2helpU.com

Tekniske data

		SFMEH220 (Type 1)
Spænding	V	220 - 240
Frekvens	Hz	50 - 60
Effektindgang	W	1010
Slaghastighed	bpm	2900
Slagenergi (EPTA / Max)	J	8.5
Patrontype		SDS Max
Vægt	kg	6.3

SFMEH200 Lydtrykniveau i henhold til EN60745:		
Lydtryk (L_{PA})	dB(A)	85
Usikkerhed af lydtryk (K_{PA})	dB(A)	3
Lydtryk (L_{WA})	dB(A)	96
Usikkerhed af lydtryk (K_{WA})	dB(A)	3
Vibrationsemissionsværdi ah (mejsling):		
($a_{h,Chet}$)	m/s ²	11
Usikkerhed (K)	m/s ²	1.5

EU-overensstemmelseserklæring

MASKINDIREKTIV



SMEH220 Nedbrydningshammer

Stanley Europe erklærer, at produkterne beskrevet under "Tekniske data" er i overensstemmelse med: 2006/42/EF, EN 60745-1, EN 60745-2-6

Disse produkter er endvidere i overensstemmelse med direktiv 2014/30/EU og 2011/65/EU.

Kontakt Stanley Europe på nedenstående adresse, eller se vejledningens bagside for at få flere oplysninger.

Undertegnede er ansvarlig for udarbejdelsen af de tekniske data og fremsætter denne erklæring på vegne af Stanley Europe.



A.P. Smith
Teknisk direktør
Stanley Fat Max Europe, Egide Walschaertsstraat14-18,
2800 Mechelen, Belgien
22/07/2019

Garanti

Stanley Fat Max er sikker på kvaliteten af sine produkter og giver forbrugerne en garanti på 12 måneder fra købsdatoen. Garantien er et tillæg til forbrugernes lovmæssige rettigheder og påvirker ikke disse. Garantien er gyldig inden for medlemsstaterne af Den Europæiske Union og Det Europæiske Frihandelsområde.

Når du gør krav på garantien, skal kravet være i overensstemmelse med Stanley Fat Max vilkår og betingelser, og du skal indsende dokumentation for købet til sælgeren eller til en autoriseret reparatør. Vilkår og betingelser for Stanley Fat Max 1 års garanti og placeringen af dit nærmeste autoriserede serviceværksted kan fås på internettet på www.2helpU.com, eller ved at kontakte dit lokale Stanley Fat Max kontor på den adresse, der er angivet i denne vejledning. Besøg venligst vores websted www.stanley.eu/3 for at registrere dit nye Stanley FatMax-produkt og modtage opdateringer om nye produkter og specielle tilbud.

Käyttötarkoitus

STANLEY® FATMAX® SFMEH220 -piikkausvasara on tarkoitettu betonin, tiilien ja muurauksien keyveen ja keskiraskaaseen talttaukseen, piikkaukseen ja purkuun. Työkalu on tarkoitettu sekä ammatti- että yksityiskäyttöön.

Turvallisuusohjeet

Sähkötyökalujen yleiset turvavaroitukset



Varoitust! Lue kaikki turvallisuusvaroitukset ja ohjeet. Alla olevien varoitusten ja ohjeiden noudattamisen laiminlyönti saattaa johtaa sähköiskuun, tulipaloon ja/tai vakavaan loukkaantumiseen.

Säästä kaikki varoitukset ja ohjeet tulevaa käyttöä varten. Ohjeissa käytetty käsite "sähkötyökalu" tarkoittaa verkkokäyttöisiä sähkötyökaluja (verkkojohdolla varustettuja) ja akkukäyttöisiä sähkötyökaluja (ilman verkkojohtoa).

1. Työalueen turvallisuus

- Pidä työalue puhtaana ja hyvin valaistuna.** Onnettomuuksia sattuu herkemmin epäsiistissä tai huonosti valaistussa ympäristössä.
- Älä käytä sähkötyökalua räjähdyshalttiissa ympäristössä, jossa on syttyvää nestettä, kaasua tai pölyä.** Sähkötyökalujen aiheuttamat kipinät voivat sytyttää pölyn tai kaasut.
- Pidä lapset ja sivulliset loitolla sähkötyökalua käyttäessäsi.** Keskittymiskyvyn herpaantuminen voi aiheuttaa hallinnan menettämisen.

2. Sähköturvallisuus

- Sähkötyökalun pistokkeen on sovittava pistorasiaan. Älä koskaan tee pistokkeeseen mitään muutoksia. Älä yhdistä maadoitettua sähkötyökalua jatkojohtoon.** Sähköiskun vaara vähenee, jos pistokkeisiin ei tehdä muutoksia ja ne yhdistetään vain niille tarkoitettuihin pistorasioihin.
 - Vältä koskettamasta maadoitettuja pintoja, kuten putkia, lämpöpattereita, liesiä tai jääkaappeja.** Voit saada sähköiskun, jos kehosi on maadoitettu.
 - Älä altista sähkötyökalua satellei tai kosteudelle.** Sähkötyökaluun menevä vesi lisää sähköiskun vaaraa.
 - Älä käsittele virtajohtoa kovakouraisesti. Älä kannata työkaluja sähköjohdosta tai vedä pistoketta pistorasiasta sähköjohdon avulla. Pidä sähköjohto kaukana kuumuudesta, öljystä, terävistä reunoista tai liikkuvista osista.** Vaurioituneet tai sokeutuneet johdot lisäävät sähköiskun vaaraa.
 - Käyttäessäsi sähkötyökalua ulkona käytä ainoastaan ulkokäyttöön soveltuvaa jatkojohtoa.** Ulkokäyttöön tarkoitettun sähköjohdon käyttäminen vähentää sähköiskun vaaraa.
 - Jos sähkötyökalua on välttämättä käytettävä kosteassa paikassa, käytä vikavirtasuojalla (RCD) suojattua virtalähdettä.** Tämä vähentää sähköiskun vaaraa.
- ### 3. Henkilöturvallisuus
- Ole valpas, keskity työhön ja noudata tervettä järkeä sähkötyökalun käytössä. Älä käytä tätä työkalua ollessasi väsynyt tai alkoholin, huumeiden tai lääkkeiden vaikutuksen alaisena.** Keskittymisen herpaantuminen hetkeksikin sähkötyökalua käytettäessä voi aiheuttaa vakavan henkilövahingon.
 - Käytä henkilökohtaisia suojavarusteita. Käytä aina suojalaseja.**

Hengityssuojaimen, liukumattomien turvajalkineiden, kypärän ja kuulonsuojaimen käyttäminen vähentää henkilövahinkojen vaaraa.

- c. **Vältä tahatonta käynnistämistä. Varmista, että kytkin on OFF-asennossa, ennen kuin liität laitteen virtalähteeseen ja/tai akkuun, nostat laitteen tai kannat sitä.** Sähkötyökalun kantaminen sormi virtakytkimellä lisää onnettomuusvaaraa.
- d. **Irrota mahdollinen säätö- tai kiintoavain ennen kuin käynnistät sähkötyökalun.** Sähkötyökalun pyöriivään osaan kiinni jäänyt avain voi johtaa loukkaantumiseen.
- e. **Älä kurkota. Huolehdi siitä, että sinulla on koko ajan tukeva jalansija ja hyvä tasapaino.** Näin voit hallita sähkötyökalua paremmin odottamattomissa tilanteissa.
- f. **Käytä tarkoitukseen soveltuvia vaatteita. Älä käytä löysyiä vaatteita tai korjuja. Pidä hiukset, vaatteet ja kädet loitolla liikkuvista osista.** Löysät vaatteet, korut tai pitkät hiukset voivat tarttua liikkuviin osiin.
- g. **Jos työkalun voi liittää pölynimuriin, tarkista, että liitos on tehty asianmukaisesti ja että laitteita käytetään oikealla tavalla.** Pölyn ottaminen talteen voi vähentää pölyn aiheuttamia vaaroja.
4. **Sähkötyökalujen käyttö ja hoito**
- a. **Älä yliuormita sähkötyökalua. Valitse käyttötarkoituksen kannalta oikea sähkötyökalu.** Sähkötyökalu toimii paremmin ja turvallisemmin, kun sitä käytetään sille suunniteltuun käyttötarkoitukseen.
- b. **Älä käytä sähkötyökalua, jota ei voida käynnistää ja pysäyttää virtakytkimestä.** Jos sähkötyökalua ei voi hallita kytkimen avulla, se on vaarallinen ja se on korjattava.
- c. **Irrota pistotulppa pistorasiasta ja/tai akku laitteesta ennen kuin suoritat säätöjä, vaihdat tarvikkeita tai siirät sähkötyökalun varastoitavaksi.** Näin voit vähentää vahingossa käynnistymisen aiheuttaman henkilövahingon vaaraa.
- d. **Säilytä sähkötyökalut poissa lasten ulottuvilta, kun niitä ei käytetä. Älä anna sähkötyökalua sellaisen henkilön käyttöön, joka ei tunne sitä tai joka ei ole tutustunut tähän käyttöohjeeseen.** Sähkötyökalut ovat vaarallisia kouluttamattomien käyttäjien käsissä.
- e. **Hoida sähkötyökalusi huolella. Tarkista, että liikkuvat osat toimivat moitteettomasti ja etteivät ne ole puristuksessa. Tarkista myös, ettei työkalussa ei ole murtuneita tai vahingoittuneita osia, jotka saattaisivat vaikuttaa haitallisesti sen toimintaan. Jos havaitset vaurioita, korjauta sähkötyökalu ennen niiden käyttämistä.** Huonosti kunnossapidetyt sähkötyökalut aiheuttavat onnettomuuksia.
- f. **Pidä leikkausterät terävinä ja puhtaina.**

Kunnossa pidettyjen leikkaavia teräviä reunoja sisältävien työkalut todennäköisyys jumiutua vähenee, ja niitä on helpompi hallita.

- g. **Käytä sähkötyökaluja, tarvikkeita, vaihtoteriä yms. näiden ohjeiden mukaisesti. Ota tällöin huomioon työolosuhteet ja suoritettava toimenpide.** Jos sähkötyökalua käytetään näiden ohjeiden vastaisesti, voi syntyä vaaratilanne.

5. Huolto

- a. **Korjauta sähkötyökalu koulutetulla ja ammattitaitoisella henkilöllä ja hyväksy korjauksiin vain alkuperäisiä varaosia.** Tämä varmistaa sähkötyökalun turvallisuuden.

Sähkötyökalujen lisäturvavaroitukset



Varoitus! Piikkausvasaroiden lisäturvallisuusohjeet.

- ◆ **Käytä kuulonsuojaimia.** Melulle altistuminen voi aiheuttaa kuulon menetyksen.
- ◆ **Käytä työkalun mukana toimitettuja lisäkahvoja.** Hallinnan menetys voi aiheuttaa henkilövahingon.
- ◆ **Jos terä voi osua pilotettuihin sähköjohtoihin tai työkalun omaan sähköjohtoon, tartu työkalun eristettyihin tarttumapintoihin.** Terien osuminen jännitteeseen johtoon tekee sen paljaista metalliosista jännitteisiä, joten käyttäjä voi saada sähköiskun.
- ◆ **Varmista, ettei porattavassa materiaalissa ole piileviä sähköjohtoja tai kaasuputkia ja että sähkö- ja kaasuyhtöt ovat paikantaneet ne.**
- ◆ **Pidä aina työkalua tiukasti. Pidä työkalua aina kiinni molemmilla käsillä. Työkalun käyttö yhdellä kädellä aiheuttaa hallinnan menetyksen.** Kovien materiaalien läpi tunkeutuminen tai esimerkiksi raudoitustankoihin osuminen voi myös olla vaarallista. Kiristä sivukahva ennen käyttöä.
- ◆ **Varmista, että taltta on hyvin paikoillaan ennen työkalun käyttämistä.**
- ◆ **Jos työkalua ei ole käytetty pitkään aikaan ja kylmissä ilmastoisissa, anna työkalun käydä ilman kuormitusta useiden minuuttien ajan ennen käyttöä.**
- ◆ **Jos työskentelet maanpinnan yläpuolella, varmista että alla oleva alue on vapaa.**
- ◆ **Älä kosketa talttaan tai taltan lähellä oleviin osiin välittömästi käytön jälkeen, sillä ne voivat olla erittäin kuumia ja aiheuttaa palovammoja.**
- ◆ **Sijoita sähkökaapeli aina taaksepäin pois päin taltasta.**
- ◆ **Älä käytä tätä työkalua pitkiä aikoja yhtäjaksoisesti.** Työkalun iskutoiminnan aiheuttama värinä voi olla haitallista käsillesi ja käsivarsillesi. Käytä käsiineitä tarjoamaan lisäpehmustetta ja rajoita altistumista värinälle pitämällä taukoja.

Muiden henkilöiden turvallisuus

- ◆ Tämä laite ei ole tarkoitettu henkilöiden (mukaan lukien lapset) käytettäväksi, joiden fyysiset, sensoriset tai henkiset kyvyt tai kokemus ja tietämys ovat rajalliset, ellei heidän turvallisuudestaan vastuussa oleva henkilö valvo tai ohjaa heitä laitteen käytössä.
- ◆ Lapsia tulee valvoa ja varmistaa, että he eivät leiki laitteella.

Muut riskit.

Myös muut kuin turvavaroituksissa mainitut riskit ovat mahdollisia laitetta käytettäessä. Nämä riskit voivat liittyä muun muassa virheelliseen tai pitkäaikaiseen käyttöön. Tiettyjä jäännösriskkejä ei voi välttää, vaikka noudatetaan kaikkia turvamaäräyksiä ja käytät turvalaitteita. Näitä ovat:

- ◆ Pyörievien tai liikkuvien osien koskettamisen aiheuttamat vahingot.
- ◆ Osia, teriä tai lisävarusteita vaihdettaessa aiheutuneet vahingot.
- ◆ Työkalun pitkäaikaisen käytön aiheuttamat vahingot. Varmista, että pidät säännöllisesti taukoja laitteen pitkäaikaisen käytön aikana.
- ◆ Kuulon heikkeneminen.
- ◆ Työkalua käytettäessä (esimerkiksi puuta, erityisesti tammea, pyökiä ja MDF-levyjä käsiteltäessä) syntyneen pölyn sisäinhengityksen aiheuttamat terveysriskit.

Tärinä

Teknisissä tiedoissa ja vaatimustenmukaisuusvakuutuksessa ilmoitettu tärinäpäästöarvo on mitattu EN 60745 -standardin testausmenetelmän mukaisesti, ja arvoa voi käyttää työkalujen keskinäiseen vertailuun. Ilmoitettua tärinäpäästöarvoa voi käyttää myös altistumisen alustavaan arviointiin.

Varoitus! Sähkötyökalun käytön aikana mitattu todellinen tärinäpäästöarvo voi poiketa ilmoitetusta tärinäpäästöarvosta työkalun käyttötavan mukaan. Tärinätasoa voi olla ilmoitettua tasoa suurempi.

Kun tärinälle altistumista arvioidaan sen määrittämiseksi, mitä direktiivin 2002/44/EY mukaisia turvatoimenpiteitä vaaditaan sähkötyökaluja säännöllisesti käyttävien henkilöiden suojelemiseksi, tärinälle altistumisen arvioinnissa on otettava huomioon todelliset käyttöolosuhteet ja työkalun käyttötavat. Todellisen käytön lisäksi on kiinnitettävä huomiota myös siihen, milloin työkalu on sammutettuna tai se käy tyhjäkäynnillä.

Työkalun tarrat

Työkaluun on merkitty päivämääräkoodi sekä seuraavat varoitusmerkinnät:



Varoitus! Käyttäjän on luettava käyttöohje vahinkojen välttämiseksi.



Käytä suojalaseja.



Käytä kuulosuojaimia.

Sähköturvallisuus



Tämä laite on kaksoiseristetty, joten erillistä maadoitusta ei tarvita. Tarkista aina, että verkkovirran jännite vastaa tyyppikilpeen merkittyä jännitettä.

- ◆ Jos virtajohto vahingoittuu, sen vaihtaminen on turvallisuussyistä jätettävä valmistajan tai valtuutetun Stanley Fat Max -huolto liikkeen tehtäväksi.

Jatkojohdon käyttäminen

Käytä aina oikeanlaista jatkojohtoa, joka sopii tämän laitteen virransyöttöliitäntään (katso kohta Tekniset tiedot). Jatkojohdon on oltava ulkokäyttöön soveltuva ja siinä on oltava soveltavuudesta ilmoitettava merkintä. Laitteen kanssa voidaan käyttää enintään 30 m pitkää 1,5 mm²:n HO5VV-F-jatkojohtoa ilman tehon heikkenemistä. Tarkista jatkojohdon kunto ennen sen käyttämistä. Vahingoittunut tai viallinen kaapeli on vaihdettava. Jos käytät johtokelaa, kelaa johto aina kokonaan auki.

Yleiskuvasu

Tässä laitteessa on joitakin tai kaikki seuraavista ominaisuuksista.

1. Sivukahva
2. Kytin
3. Varren suojus
4. SDS MAX -istukka
5. Voiteluaineen syöttöaukko

Käyttö

Varoitus! Ennen kuin yrität suorittaa mitään seuraavista toimenpiteistä, varmista, että työkalun virta on katkaistu, sähköpistoke on irrotettu sähköverkosta.

Kytkeminen päälle ja pois päältä (kuva A)

- ◆ Käynnistä työkalu painamalla kytkintä (2) ja kääntämällä se 'ON'-asentoon.
- ◆ Sammuta työkalu kytkemällä kytkin 'OFF'-asentoon ja vapauttamalla kytkin (2).

Sivukahvan kiinnittäminen (kuva B)

Sivukahva (1) voidaan asentaa sekä oikea- että vasenkätisille käyttäjille.

Varoitus! Älä käytä työkalua, jos sivukahvaa ei ole asennettu asianmukaisesti.

- ◆ Löysää sivukahva.
- ◆ Oikeakätiset käyttäjät: Liu'uta sivukahvan kiinnitin työkalupidikkeen takana olevan renkaan päälle kahvan ollessa vasemmalla. Vasenkätiset käyttäjät: Liu'uta sivukahvan kiinnitin työkalupidikkeen takana olevan renkaan päälle kahvan ollessa oikealla.
- ◆ Kierrä sivukahva haluttuun asentoon ja kiristä kahva.

SDS Max -lisävarusteiden asentaminen ja irrottaminen (kuvat C, D)

Tässä työkalussa käytetään SDS Max -lisävarusteita (katso SDS Max -terän varren läpileikkaus kuvasta D).

Suosittelemme vain ammattikäyttöön tarkoitettujen lisävarusteiden käyttöä.

- ◆ Puhdista ja voitele terän varsi.
- ◆ Aseta terän varsi teränpidikkeeseen/työkalulaippaan (4).
- ◆ Paina terä alas ja käännä sitä hiukan, kunnes se kohdistuu uuriin.
- ◆ Tarkista, että terä on asianmukaisesti lukittu vetämällä terää. Iskutoimintaa varten terän on kyettävä liikkumaan pitkiäkin useita senttimetrejä teränpitimeen lukittuna.
- ◆ Poista terä vetämällä työkalun pidikettä / lukituslaippaa (4) kuvan C mukaisesti ja vetämällä terä pois.

Varoitus! Käytä aina hansikkaita, kun vaihdat lisävarusteita. Työkalun suojaamattomat metalliosat ja lisävaruste voivat kuumeta huomattavasti käytön aikana.

Taltaus ja piikkaus (kuva E)

- ◆ Asenna asianmukainen talta (ei kuulu pakkaukseen) oikeaan asentoon.
- ◆ Säädä sivukahvaa (1) tarpeen mukaan.
- ◆ Kytke virta päälle ja aloita käyttö.
- ◆ Sammuta työkalu aina, kun työ on valmis ja ennen kuin otat pistokkeen pois pistorasiasta.
- ◆ Noudata aina turvallisuusohjeita ja soveltuvia määräyksiä.
- ◆ Huomioi kohteen putkistot ja johdot.
- ◆ Paina työkalua vain kevyesti (noin 5 kg). Liiallinen voiman käyttö ei nopeuta piikkausta mutta voi heikentää työkalun suorituskykyä ja lyhentää työkalun elinikää.
- ◆ Pidä työkalusta aina kiinni molemmin käsin ja varmista hyvä tukevuus. Käytä työkalua aina sivukahva asianmukaisesti asennettuna.

Käsien oikeaoppinen asento (kuva F)

Varoitus! Voit vähentää vakavan henkilövahingon vaaraa pitämällä kädet AINA oikeassa asennossa.

Varoitus! Voit vähentää vakavan henkilövahingon vaaraa pitämällä työkalua AINA tiukassa otteessa. Käsien oikea asento tarkoittaa toisen käden pitämistä sivukahvassa (1) ja toisen käden pitämistä pääkahvalla.

Varoitus! Älä käytä tätä työkalua helposti syttyvien tai räjähdysalttiiden nesteiden (benssiini, alkoholi, jne.) sekoittamiseen tai pumppaamiseen. Älä sekoita syttyviä nesteitä, joissa on vastaava merkintä.

Lisävarusteet

Työkalun suorituskyky riippuu käytetystä lisävarusteesta. Stanley Fat Max -lisävarusteet on valmistettu korkealaatuiseksi ja suunniteltu parantamaan työkalun suorituskykyä. Käyttämällä näitä lisävarusteita saat työkalustasi parhaan hyödyn.

Huolto

Verkkojohdolla varustettu tai verkkojohdoton Stanley Fat Max -laite-/työkalu on suunniteltu toimimaan mahdollisimman pitkään mahdollisimman vähällä huollolla. Oikea käsittely ja säännöllinen puhdistus varmistavat laitteen ongelmattoman toiminnan.

Varoitus! Ennen verkkojohdolla varustetun tai verkkojohdoton sähkötyökalun huoltoa toimi seuraavasti:

- ◆ Sammuta laite/työkalu ja irrota se verkkovirrasta.
- ◆ Jos laitteessa/työkalussa on erillinen akku, sammuta laite/työkalu ja irrota sen akku.
- ◆ Jos akku on kiinteä, käytä akku täysin loppuun ja sammuta laite/työkalu sitten.
- ◆ Irrota laturin pistorasiasta ennen laturin puhdistamista. Laturi ei tarvitse säännöllisen puhdistamisen lisäksi mitään muuta huoltoa.
- ◆ Puhdista laitteen/työkalun/laturin ilma-aukot säännöllisesti pehmeällä harjalla tai kuivalla kangasliinalla.
- ◆ Puhdista moottorikotelo säännöllisesti kostealla liinalla. Älä käytä hankaavia tai liuotinpohjaisia puhdistusaineita.
- ◆ Avaa istukka säännöllisesti ja naputtele pöly pois sen sisältä (soveltuvin osin).

Varaverkkopistoke (vain Iso-Britannia ja Irlanti)

Jos uusi verkkopistoke täytyy asentaa:

- ◆ Hävitä vanha pistoke ympäristöystävällisesti.
- ◆ Liitä ruskea johto uuden pistokkeen jännitteeseen napaan.
- ◆ Liitä sininen johto tähtipisteliitimeen.

Varoitus! Maadoitusliitimeen ei tule tehdä liitoksia.

Noudata korkealaatuisten pistokkeiden mukana toimitettuja asennusohjeita. Suositeltu varoke: 10 A.

Ympäristönsuojelu



Toimita tämä laite erilliskeräykseen. Tällä symbolilla merkityjä tuotteita ja akkuja ei saa hävittää tavallisen kotitalousjätteen mukana.

Tuotteissa ja akuissa on materiaaleja, jotka voidaan ottaa talteen tai kierrättää uudelleen käyttöä varten.

Kierrätä sähkölaitteet ja akut paikallisten määräyksien mukaan. Lisätietoa on saatavilla osoitteessa www.2helpU.com

Tekniset tiedot

SFMEH220 (tyyppi 1)		
Jännite	V	220 - 240
Taajuus	Hz	50 - 60
Ottoteho	W	1010
Iskutaajuus	BPM	2900
Iskuenergia (EPTA / Maks.)	J	8,5
Istukkatyyppi		SDS Max
Paino	kg	6,3

SFMEH220 Äänenpainetaso mitattuna EN60745:n mukaisesti:		
Äänenpaine (L_{pA})	dB(A)	85
Äänenpaineen epävarmuus (K_{TPA})	dB(A)	3
Ääniteho (L_{WA})	dB(A)	96
Äänitehon epävarmuus (K_{WA})	dB(A)	3
Tärinäpäästöarvo ah (piikkaus):		
($a_{h,CHet}$)	m/s^2	11
Epävarmuus (K)	m/s^2	1,5

EY-vaatimustenmukaisuusvakuutus

KONEDIREKTIIVI



SMEH220 Piikkausvasara

Stanley Europe ilmoittaa, että tuotteet, jotka on kuvattu kohdassa Tekniset tiedot, täyttävät seuraavien direktiivien vaatimukset:

2006/42/EY, EN 60745-1, EN 60745-2-6

Nämä tuotteet täyttävät myös direktiivien

2014/30/EU ja 2011/65/EU vaatimukset. Lisätietoja saa

ottamalla yhteyttä Stanley Europeen seuraavassa osoitteessa.

Tiedot ovat myös käyttöoppaan takakannessa.

Allekirjoittanut vastaa teknisten tietojen kokoamisesta ja antaa tämän ilmoituksen Stanley European puolelta.

A.P. Smith

Tekninen päällikkö

Stanley Fat Max Europe, Egide Walschaertsstraat14-18,

2800 Mechelen, Belgium

22/07/2019

Takuu

Stanley Fat Max on vakuutunut tuotteidensa korkeasta laadusta ja tarjoaa kuluttajille 12 kuukauden takuun, joka astuu voimaan ostopäivänä. Takuu on lisäys kuluttajan laillisiin oikeuksiin eikä vaikuta niihin. Tämä takuu on voimassa kaikissa EU- ja ETA-maissa.

Edellytyksenä takuun saamiselle on, että vaade täyttää Stanley Fat Maxin ehdot ja että ostaja toimittaa ostotositteen jälleennyhjälle tai valtuutetulle huoltoliikkeelle. Stanley Fat Maxin yhden vuoden takuun ehdot ja lähimmän valtuutetun korjauspalvelun yhteystiedot ovat saatavilla osoitteessa www.2helpU.com tai ottamalla yhteyttä paikalliseen Stanley Fat Maxin toimipisteeseen tässä ohjekirjassa ilmoitettuihin osoitteisiin.

Käy verkkosivuiltamme osoitteessa www.stanley.eu/3 ja rekisteröi uusi Stanley Fat Max -tuotteesi saadaksesi tietoa uusista tuotteista ja erikoistarjouksista.

(Μετάφραση των πρωτότυπων οδηγιών)

ΕΛΛΗΝΙΚΑ

Προβλεπόμενη χρήση

H σφύρα δομικών εργασιών STANLEY® FATMAX® SFMEH220 έχει σχεδιαστεί για ελαφρού ή μεσαίου τύπου εργασίες απολέπισης, καλειμιού και γκρεμίσματος σε σκυρόδεμα, τούβλα και είδη τοιχοποιίας. Αυτό το εργαλείο προορίζεται για επαγγελματική και ιδιωτική, μη επαγγελματική χρήση.

Οδηγίες ασφαλείας

Γενικές προειδοποιήσεις ασφαλείας για ηλεκτρικά εργαλεία



Προειδοποίηση! Διαβάστε όλες τις προειδοποιήσεις ασφαλείας και όλες τις οδηγίες. Η μη πήρηση των παρακάτω προειδοποιήσεων και οδηγιών μπορεί να προκαλέσει ηλεκτροπληξία, πυρκαγιά και/ή σοβαρές σωματικές βλάβες.

Φυλάξτε όλες τις προειδοποιήσεις και τις οδηγίες για μελλοντική αναφορά. Ο όρος "ηλεκτρικό εργαλείο" που χρησιμοποιείται σε όλες τις παρακάτω προειδοποιήσεις, αναφέρεται είτε σε εργαλείο που λειτουργεί με ρεύμα δικτύου (ρεύματος - με καλώδιο) είτε σε εργαλείο που λειτουργεί με μπαταρία (μπαταρίας - χωρίς καλώδιο).

1. Ασφάλεια χώρου εργασίας

α. Διατηρείτε το χώρο εργασίας καθαρό και καλά φωτισμένο. Οι ατακτοποιητοι ή σκοτεινοί χώροι γίνονται αιτίες ατυχημάτων.

- β. Μη χρησιμοποιείτε ηλεκτρικά εργαλεία σε περιβάλλον όπου υπάρχει κίνδυνος έκρηξης, όπως με παρουσία εύφλεκτων υγρών, αερίων ή σκόνης.** Τα ηλεκτρικά εργαλεία παράγουν σπινθήρες που μπορεί να προκαλέσουν ανάφλεξη της σκόνης ή των αναθυμιάσεων.
- γ. Όταν χρησιμοποιείτε ηλεκτρικό εργαλείο, κρατάτε μακριά τα παιδιά και άλλα άτομα.** Παράγοντες που αποσπούν την προσοχή μπορεί να σας κάνουν να χάσετε τον έλεγχο.
- 2. Ασφαλής χρήση ηλεκτρικού ρεύματος**
- α. Τα φως των ηλεκτρικών εργαλείων πρέπει να ταιριάζουν στην πρίζα. Σε καμία περίπτωση μην τροποποιήσετε το φως, με κανένα τρόπο. Μη χρησιμοποιείτε φως προσαρμογής με γειωμένα ηλεκτρικά εργαλεία.**
Τα φως που δεν έχουν υποστεί τροποποιήσεις και οι κατάλληλες πρίζες μειώνουν τον κίνδυνο ηλεκτροπληξίας.
- β. Αποφεύγετε την επαφή του σώματός σας με γειωμένες επιφάνειες, όπως σωλήνες, καλοριφέρ, κουζίνες και ψυγεία.** Υπάρχει αυξημένος κίνδυνος ηλεκτροπληξίας αν το σώμα σας είναι γειωμένο.
- γ. Μην εκθέτετε τα ηλεκτρικά εργαλεία σε βροχή ή υγρασία.** Η διείσδυση νερού σε ένα ηλεκτρικό εργαλείο αυξάνει τον κίνδυνο ηλεκτροπληξίας.
- δ. Μην κακομεταχειρίζεστε το καλώδιο. Ποτέ μη χρησιμοποιήσετε το καλώδιο για να μεταφέρετε, να τραβήξετε ή να αποσυνδέσετε από την πρίζα το ηλεκτρικό εργαλείο. Κρατάτε το καλώδιο μακριά από θερμότητα, λάδια, αιχμηρά άκρα ή κινούμενα μέρη.** Τα καλώδια που έχουν υποστεί ζημιά ή είναι μπερδεμένα αυξάνουν τον κίνδυνο ηλεκτροπληξίας.
- ε. Όταν χρησιμοποιείτε ηλεκτρικό εργαλείο σε εξωτερικούς χώρους, να χρησιμοποιείτε πάντοτε καλώδιο επέκτασης κατάλληλο για εργασία σε εξωτερικούς χώρους.** Η χρήση καλωδίου κατάλληλου για εργασία σε εξωτερικούς χώρους μειώνει τον κίνδυνο ηλεκτροπληξίας.
- στ. Εάν είναι αναπόφευκτη η χρήση ενός ηλεκτρικού εργαλείου σε συνθήκες υγρασίας, χρησιμοποιήστε μια διάταξη προστασίας από ρεύμα διαρροής (RCD).** Η χρήση μιας διάταξης RCD μειώνει τον κίνδυνο ηλεκτροπληξίας.
- 3. Προσωπική ασφάλεια**
- α. Όταν χρησιμοποιείτε ηλεκτρικό εργαλείο, να είστε σε εγρήγορση, να συγκεντρώνετε στην εργασία που κάνετε και να επιστρατεύετε την κοινή λογική. Μη χρησιμοποιείτε ηλεκτρικό εργαλείο όταν είστε κουρασμένος/η υπό την επήρεια ναρκωτικών, οιονοπέματος ή φαρμακευτικής αγωγής.** Μια στιγμή απροσεξίας κατά τη χρήση ηλεκτρικών εργαλείων μπορεί να προκαλέσει σοβαρό τραυματισμό.
- β. Να χρησιμοποιείτε ατομικό εξοπλισμό προστασίας. Πάντα φοράτε προστασία ματιών.** Ο εξοπλισμός προστασίας, όπως μάσκα κατά της σκόνης, αντιολισθητικά παπούτσια ασφαλείας, κράνος ή προστασία ακοής, όταν χρησιμοποιείται για τις κατάλληλες συνθήκες, θα μειώσει τους τραυματισμούς και τις σωματικές βλάβες.
- γ. Αποτρέπετε την ακούσια ενεργοποίηση. Βεβαιωθείτε ότι ο διακόπτης βρίσκεται στη θέση απενεργοποίησης, πριν συνδέσετε το εργαλείο στην πηγή ρεύματος και/ή τοποθετήσετε το πακέτο μπαταρίας, καθώς και πριν πάρετε στα χέρια σας ή μεταφέρετε το εργαλείο.**
Η μεταφορά ηλεκτρικών εργαλείων με το δάχτυλο πάνω στο διακόπτη ή η σύνδεση στο ρεύμα ηλεκτρικών εργαλείων με το διακόπτη στη θέση ενεργοποίησης, ενέχει κινδύνους ατυχημάτων.
- δ. Πριν θέσετε το ηλεκτρικό εργαλείο σε λειτουργία, αφαιρέστε τυχόν εργαλεία ή κλειδιά ρύθμισης.** Εάν αφήσετε ένα εργαλείο ή κλειδί πάνω σε κάποιο περιστρεφόμενο εξάρτημα του ηλεκτρικού εργαλείου, μπορεί να προκληθούν τραυματισμοί.
- ε. Μην τεντώνετε υπερβολικά. Διατηρείτε πάντα σταθερή στήριξη στα πόδια σας και καλή ισορροπία.** Έτσι μπορείτε να έχετε καλύτερο έλεγχο του ηλεκτρικού εργαλείου σε μη αναμενόμενες καταστάσεις.
- στ. Φοράτε κατάλληλη ενδυμασία εργασίας. Μη φοράτε φορδιά ρούχα ούτε κοσμήματα. Κρατάτε τα μαλλιά, τα ρούχα και τα γάντια σας μακριά από κινούμενα μέρη.** Τα φορδιά ρούχα, τα κοσμήματα και τα μακριά μαλλιά μπορούν να πιαστούν σε κινούμενα μέρη.
- ζ. Αν παρέχονται διατάξεις για τη σύνδεση συστημάτων απομάκρυνσης και συλλογής της σκόνης, βεβαιωθείτε ότι αυτές είναι συνδεδεμένες και χρησιμοποιούνται σωστά.** Η χρήση διατάξεων συλλογής της σκόνης μπορεί να μειώσει τους κινδύνους που προέρχονται από τη σκόνη.
- 4. Χρήση και φροντίδα ηλεκτρικών εργαλείων**
- α. Μην υπερφορτώνετε το ηλεκτρικό εργαλείο. Χρησιμοποιείτε το σωστό ηλεκτρικό εργαλείο για την εφαρμογή σας.** Το σωστό ηλεκτρικό εργαλείο θα εκτελέσει την εργασία καλύτερα και ασφαλέστερα, με την ένταση χρήσης για την οποία σχεδιάστηκε.
- β. Μη χρησιμοποιήσετε το ηλεκτρικό εργαλείο αν ο διακόπτης του δεν μπορεί να το ενεργοποιεί και απενεργοποιεί.** Ένα ηλεκτρικό εργαλείο του οποίου η λειτουργία δεν μπορεί να ελεγχθεί με το διακόπτη είναι επικίνδυνο και πρέπει να επισκευαστεί.

- γ. Αποσυνδέστε το φως από την πηγή ρεύματος και/ή το πακέτο μπαταρίας από το ηλεκτρικό εργαλείο, πριν διεξάγετε οποιαδήποτε ρύθμιση, αλλαγή αξεσουάρ ή όταν πρόκειται να αποθηκεύσετε το ηλεκτρικό εργαλείο. Τέτοια προληπτικά μέτρα ασφαλείας μειώνουν το κίνδυνο αθέλητης εκκίνησης του ηλεκτρικού εργαλείου.
- δ. **Να φυλάσσετε μακριά από παιδιά τα ηλεκτρικά εργαλεία που δεν χρησιμοποιείτε. Μην αφήνετε να χρησιμοποιήσουν ηλεκτρικό εργαλείο άτομα που δεν είναι εξοικειωμένα με αυτό ή άτομα που δεν έχουν διαβάσει αυτές τις οδηγίες χρήσης.** Τα ηλεκτρικά εργαλεία είναι επικίνδυνα στα χέρια μη εκπαιδευμένων χρηστών.
- ε. **Να συντηρείτε τα ηλεκτρικά εργαλεία. Ελέγχετε για προβλήματα ευθυγράμμισης ή για μάγκωμα των κινούμενων εξαρτημάτων, θραύση εξαρτημάτων, καθώς και για οποιοδήποτε άλλο πρόβλημα μπορεί να επηρεάσει τη λειτουργία των ηλεκτρικών εργαλείων. Αν το ηλεκτρικό εργαλείο έχει υποστεί ζημιά, φροντίστε να επισκευαστεί πριν το χρησιμοποιήσετε.** Η ανεπαρκής συντήρηση των ηλεκτρικών εργαλείων αποτελεί αιτία πολλών ατυχημάτων.
- στ. **Διατηρείτε τα κοπτικά εργαλεία κοφτερά και καθαρά.** Τα κοπτικά εργαλεία με κοφτερές κοπτικές αιχμές που συντηρούνται σωστά έχουν λιγότερες πιθανότητες να μαγκώσουν και ελέγχονται ευκολότερα.
- ζ. **Να χρησιμοποιείτε το ηλεκτρικό εργαλείο, τα αξεσουάρ και τις μύτες του εργαλείου κλπ. σύμφωνα με τις παρούσες οδηγίες, λαμβάνοντας υπόψη σας τις συνθήκες εργασίας και την εργασία που θέλετε να εκτελέσετε.** Η χρήση του ηλεκτρικού εργαλείου για εργασίες διαφορετικές από τις προβλεπόμενες θα μπορούσε να οδηγήσει σε επικίνδυνη κατάσταση.
5. Σέρβις
- α. **Αναθέτετε το σέρβις του ηλεκτρικού σας εργαλείου σε εξειδικευμένο τεχνικό επισκευών που χρησιμοποιεί μόνο γνήσια ανταλλακτικά.** Έτσι θα εξασφαλίσετε τη διατήρηση της ασφάλειας του ηλεκτρικού εργαλείου.

Πρόσθετες προειδοποιήσεις ασφαλείας για ηλεκτρικά εργαλεία



Προειδοποίηση! Πρόσθετες προειδοποιήσεις ασφαλείας για σφύρες δομικών εργασιών.

- ◆ **Φοράτε προστατευτικά ακοής.** Η έκθεση σε θόρυβο μπορεί να προκαλέσει απώλεια ακοής.
- ◆ **Χρησιμοποιείτε τις βοηθητικές λαβές που παρέχονται μαζί με το εργαλείο.** Η απώλεια ελέγχου μπορεί να προκαλέσει σωματική βλάβη.

- ◆ **Κρατάτε το ηλεκτρικό εργαλείο από μονωμένες επιφάνειες λαβής όταν εκτελείτε μια εργασία όπου το αξεσουάρ κοπής μπορεί να έρθει σε επαφή με αθέατα καλώδια ή με το ίδιο του το καλώδιο.** Ένα εξάρτημα κοπής το οποίο έρχεται σε επαφή με ηλεκτροφόρο καλώδιο μπορεί να καταστήσει ηλεκτροφόρο και τα εκτεθειμένα μεταλλικά μέρη του ηλεκτρικού εργαλείου και να προκαλέσει ηλεκτροπληξία στο χειριστή του
- ◆ **Βεβαιωθείτε ότι το υπό διάτρηση υλικό δεν περικλείει κρυφούς αγωγούς ρεύματος ή αερίου και ότι έχετε επιβεβαιώσει τις θέσεις τυχόν αγωγών με τις εταιρείες κοινής ωφελείας.**
- ◆ **Κρατάτε πάντα σφιχτά το εργαλείο. Μην επιχειρήσετε να χρησιμοποιήσετε το εργαλείο χωρίς να το κρατάτε και με τα δύο χέρια.** Η χρήση του εργαλείου με το ένα χέρι θα προκαλέσει απώλεια του ελέγχου. Επίσης, μπορεί να είναι επικίνδυνο να διαπεράσετε σπάζοντας ή να συναντήσετε σκληρά υλικά όπως ο σίδηρος οπλισμού σκυροδέματος. Σφίγγετε καλά την πλευρική λαβή πριν τη χρήση.
- ◆ **Να βεβαιώνετε ότι το καλέμι έχει στερεωθεί καλά στη θέση του πριν χρησιμοποιήσετε το εργαλείο.**
- ◆ **Σε ψυχρές καιρικές συνθήκες ή αν το εργαλείο δεν έχει χρησιμοποιηθεί για μεγάλο χρονικό διάστημα, αφήστε το εργαλείο να λειτουργήσει χωρίς φορτίο για αρκετά λεπτά, πριν το χρησιμοποιήσετε.**
- ◆ **Όταν εργάζεστε σε υπερυψωμένη θέση, βεβαιωθείτε ότι δεν υπάρχουν άνθρωποι ή αντικείμενα στην περιοχή από κάτω.**
- ◆ **Μην αγγίζετε το καλέμι ή τα εξαρτήματα κοντά στο καλέμι αμέσως μετά τη λειτουργία, γιατί μπορεί να βρίσκονται σε πολύ υψηλή θερμοκρασία και να προκαλέσουν εγκαύματα στο δέρμα.**
- ◆ **Πάντα να κατευθύνετε το καλώδιο προς τα πίσω, μακριά από το καλέμι.**
- ◆ **Μη χρησιμοποιείτε το εργαλείο αυτό για παρατεταμένα χρονικά διαστήματα. Οι κραδασμοί που προκαλούνται από την κρουστική δράση μπορεί να είναι επιβλαβείς για το άνω και κάτω τμήμα των χεριών σας.** Χρησιμοποιείτε γάντια για πρόσθετη προστατευτική δράση και περιορίζετε την έκθεση κάνοντας συχνά διαλείμματα ξεκούρασης.

Ασφάλεια των άλλων

- ◆ Η συσκευή αυτή δεν προορίζεται για χρήση από άτομα (περιλαμβανομένων παιδιών) με μειωμένες σωματικές, αισθητηριακές ή διανοητικές ικανότητες, ή με έλλειψη εμπειρίας και γνώσης, εκτός αν σε αυτά έχει παρασχεθεί από άτομο υπεύθυνο για την ασφάλειά τους επίβλεψη ή εκπαίδευση σχετικά με τη χρήση της συσκευής.
- ◆ Τα παιδιά πρέπει να επιτηρούνται, ώστε να διασφαλίζεται ότι δεν παίζουν με τη συσκευή.

Υπολειπόμενοι κίνδυνοι.

Κατά τη χρήση του εργαλείου μπορεί να δημιουργηθούν πρόσθετοι υπολειπόμενοι κίνδυνοι, οι οποίοι ενδέχεται να μη συμπεριλαμβάνονται στις προειδοποιήσεις ασφαλείας που εσωκλείονται. Αυτοί οι κίνδυνοι μπορεί να προκληθούν από κακή χρήση, παρατεταμένη χρήση κλπ.

Παρά την εφαρμογή των σχετικών κανονισμών ασφαλείας και τη χρήση διατάξεων ασφαλείας, ορισμένοι υπολειπόμενοι κίνδυνοι δεν είναι δυνατό να αποφευχθούν. Σε αυτούς περιλαμβάνονται:

- ♦ Τραυματισμοί από την επαφή με οποιαδήποτε περιστρεφόμενα/κινούμενα μέρη.
- ♦ Τραυματισμοί από αλλαγή οποιωνδήποτε εξαρτημάτων, λεπίδων ή αξεσουάρ.
- ♦ Τραυματισμοί από παρατεταμένη χρήση εργαλείου. Όταν χρησιμοποιείτε οποιοδήποτε εργαλείο για παρατεταμένα χρονικά διαστήματα, μην παραλείπετε με κανένα τρόπο να κάνετε τακτικά διαλείμματα.
- ♦ Βλάβη της ακοής.
- ♦ Κίνδυνοι για την υγεία λόγω εισπνοής σκόνης που αναπτύσσεται κατά τη χρήση του εργαλείου (παράδειγμα:- εργασία με ξύλο, ειδικά βελανιδιά, οξιά και MDF.)

Κραδασμοί

Οι δηλωμένες τιμές εκπομπής κραδασμών που αναφέρονται στα τεχνικά χαρακτηριστικά και στη δήλωση συμμόρφωσης έχει μετρηθεί σύμφωνα με τυποποιημένη μέθοδο δοκιμής που παρέχεται από το πρότυπο EN 60745 και μπορεί να χρησιμοποιηθεί για τη σύγκριση ενός εργαλείου με ένα άλλο. Η δηλωμένη τιμή εκπομπής κραδασμών μπορεί επίσης να χρησιμοποιηθεί σε έναν προκαταρκτικό προσδιορισμό της έκθεσης σε κραδασμούς.

Προειδοποίηση! Στην πράξη, η τιμή εκπομπής κραδασμών κατά την χρήση του ηλεκτρικού εργαλείου μπορεί να διαφέρει από την τιμή που δηλώθηκε, ανάλογα με τον τρόπο που χρησιμοποιείται το εργαλείο. Το επίπεδο κραδασμών μπορεί να αυξηθεί πάνω από το επίπεδο που έχει δηλωθεί.

Κατά τον προσδιορισμό της έκθεσης σε κραδασμούς για τον καθορισμό των απαιτούμενων μέτρων ασφαλείας σύμφωνα με την οδηγία 2002/44/EK για την προστασία προσώπων που χρησιμοποιούν συχνά ηλεκτρικά εργαλεία στην εργασία τους, μια προσεγγιστική εκτίμηση της έκθεσης σε κραδασμούς πρέπει να λαμβάνει υπόψη τις πραγματικές συνθήκες χρήσης και τον τρόπο χρήσης του εργαλείου, συμπεριλαμβανομένων και όλων των επιμέρους τμημάτων του κύκλου εργασίας, όπως τα χρονικά διαστήματα που το εργαλείο ήταν εκτός λειτουργίας και τα διαστήματα λειτουργίας χωρίς φορτίο, επιπλέον του χρόνου πίεσης της σκανδάλης.

Ετικέτες πάνω στο εργαλείο

Το εργαλείο φέρει τα παρακάτω εικονογράμματα μαζί με τον κωδικό ημερομηνίας:



Προειδοποίηση! Για να μειωθεί ο κίνδυνος τραυματισμού, ο χρήστης πρέπει να διαβάσει το εγχειρίδιο οδηγιών.



Φορέστε προστατευτικά γυαλιά ασφαλείας.



Φορέστε ωτοασπίδες.

Ασφαλής χρήση ηλεκτρικού ρεύματος



Αυτό το εργαλείο φέρει διπλή μόνωση και επομένως δεν απαιτείται καλώδιο γείωσης. Ελέγχετε πάντα ότι η παροχή ρεύματος αντιστοιχεί στην τάση που αναφέρεται στην πινακίδα στοιχείων.

- ♦ Αν το καλώδιο ρεύματος έχει υποστεί φθορά, πρέπει να αντικατασταθεί από τον κατασκευαστή ή από ένα εξουσιοδοτημένο κέντρο επισκευών της Stanley Fat Max, ώστε να μην αποτελέσει κίνδυνο.

Χρήση καλωδίου επέκτασης

Χρησιμοποιείτε πάντα εγκεκριμένα καλώδια προέκτασης, κατάλληλα για την ισχύ εισόδου αυτού του εργαλείου (δείτε τεχνικά χαρακτηριστικά).

Το καλώδιο επέκτασης πρέπει να είναι κατάλληλο για χρήση σε εξωτερικούς χώρους και να φέρει την αντίστοιχη σήμανση. Μπορείτε να χρησιμοποιήσετε ένα καλώδιο προέκτασης 1.5 mm² HO5VV-F μήκους έως 30 m, χωρίς απώλειες απόδοσης. Πριν από τη χρήση, ελέγξτε προσεκτικά το καλώδιο επέκτασης για σημάδια ζημιάς, φθοράς ή παλαιώσης. Αντικαταστήστε το καλώδιο επέκτασης αν παρουσιάσει ζημιά ή βλάβη. Όταν χρησιμοποιείτε καλώδιο σε καρούλι, πάντα ξετυλίγετε τελείως το καλώδιο.

Χαρακτηριστικά

Αυτό το εργαλείο διαθέτει μερικά από ή όλα τα παρακάτω χαρακτηριστικά.

1. Πλευρική λαβή
2. Διακόπτης
3. Κάλυμμα κυλίνδρου
4. Τσok SDS MAX
5. Εισόδος έγχυσης λαδιού λίπανσης

Χρήση

Προειδοποίηση! Πριν επιχειρήσετε κάποια από αυτές τις εργασίες, βεβαιωθείτε ότι εργαλείο είναι απενεργοποιημένο και αποσυνδεδεμένο από την πρίζα.

Ενεργοποίηση και απενεργοποίηση (Εικ. Α)

- ♦ Για να θέσετε σε λειτουργία το εργαλείο, πιέστε τον διακόπτη (2) και περιστρέψτε τον στη θέση "ON".

- ◆ Για να σταματήσετε το εργαλείο, περιστρέψτε τον διακόπτη στη θέση "OFF" και ελευθερώστε τον (2).

Τοποθέτηση της πλευρικής λαβής (Εικ. Β)

Η πλευρική λαβή (1) μπορεί να τοποθετηθεί ώστε να ταιριάζει σε δεξιόχειρες και αριστερόχειρες χρήστες.

Προειδοποίηση! Μη χρησιμοποιήσετε το εργαλείο χωρίς να έχετε εγκαταστήσει σωστά την πλευρική λαβή.

- ◆ Αασκάρετε την πλευρική λαβή.
- ◆ Για δεξιόχειρες χρήστες: Περάστε τον σφιγκτήρα της πλευρικής λαβής πάνω στο κολάρο πίσω από την υποδοχή του εργαλείου, λαβή στα αριστερά. Για αριστερόχειρες χρήστες: Περάστε τον σφιγκτήρα της πλευρικής λαβής πάνω στο κολάρο πίσω από την υποδοχή του εργαλείου, λαβή στα δεξιά.
- ◆ Περιστρέψτε την πλευρική λαβή στην επιθυμητή θέση και σφίξτε τη λαβή.

Εισαγωγή και αφαίρεση αξεσουάρ SDS Max (Εικ. C, D)

Αυτό το εργαλείο χρησιμοποιεί αξεσουάρ SDS Max (ανατρέξτε στην εικόνα D για τη διατομή του στέλεχους ενός αξεσουάρ SDS Max). Συνιστούμε να χρησιμοποιείτε μόνο επαγγελματικά αξεσουάρ.

- ◆ Καθαρίστε και γρασάρετε το στέλεχος του αξεσουάρ.
- ◆ Τοποθετήστε το στέλεχος του αξεσουάρ στην υποδοχή αξεσουάρ/χιτώνιο εργαλείου (4).
- ◆ Πιέστε το αξεσουάρ προς τα κάτω και περιστρέψτε το ελαφρά έως ότου εφαρμόσει μέσα στις εγκοπές.
- ◆ Τραβήξτε το κοπτικό για να ελέγξετε αν έχει ασφαλίσει σωστά. Η κρουστική λειτουργία απαιτεί να μπορεί να κινείται αξονικά το κοπτικό κατά αρκετά εκατοστά όταν είναι ασφαλισμένο στην υποδοχή αξεσουάρ.
- ◆ Για να αφαιρέσετε ένα αξεσουάρ, τραβήξτε προς τα πίσω την υποδοχή εργαλείου/το χιτώνιο ασφάλισης (4), όπως δείχνει η εικόνα C, και τραβήξτε έξω το αξεσουάρ.

Προειδοποίηση! Φοράτε πάντα γάντια όταν αλλάζετε αξεσουάρ. Τα εκτεθειμένα μεταλλικά μέρη του εργαλείου και τα αξεσουάρ μπορεί να θερμανθούν πολύ κατά τη χρήση.

Εργασίες απολέπισης και καλεμιού (Εικ. Ε)

- ◆ Εισάγετε το κατάλληλο καλέμι (δεν παρέχεται) στη σωστή θέση.
- ◆ Προσαρμόστε την πλευρική λαβή (1) όπως χρειάζεται.
- ◆ Ενεργοποιήστε το εργαλείο και ξεκινήστε την εργασία.
- ◆ Πάντα απενεργοποιείτε το εργαλείο όταν τελειώσει η εργασία και πριν το αποσυνδέσετε από την πρίζα.
- ◆ Τηρείτε πάντοτε τις οδηγίες ασφαλείας και τους ισχύοντες κανονισμούς.
- ◆ Φροντίστε να ενημερωθείτε σχετικά με τη θέση σωλήνων και καλωδίων.
- ◆ Εφαρμόζετε μόνο μικρή πίεση στο εργαλείο (περ. 5 kg).

Η υπερβολική δύναμη δεν επιταχύνει τις εργασίες καλεμιού αλλά μειώνει την απόδοση του εργαλείου και μπορεί να μειώσει το χρόνο ζωής του.

- ◆ Πάντα να κρατάτε το εργαλείο σταθερά και με τα δύο χέρια και να διασφαλίζετε ασφαλή στάση σώματος. Πάντα να χρησιμοποιείτε το εργαλείο με την πλευρική λαβή σωστά εγκατεστημένη.

Σωστή θέση των χεριών (Εικ. F)

Προειδοποίηση! Για να μειώσετε τον κίνδυνο σοβαρού τραυματισμού, ΠΑΝΤΑ να χρησιμοποιείτε τη σωστή θέση των χεριών όπως δείχνει η εικόνα.

Προειδοποίηση! Για να μειώσετε τον κίνδυνο τραυματισμού, ΠΑΝΤΑ να κρατάτε καλά το εργαλείο για να είστε προετοιμασμένοι σε περίπτωση ξαφνικής αντίδρασης. Για τη σωστή τοποθέτηση των χεριών απαιτείται ένα χέρι στην πλευρική λαβή (1) με το άλλο χέρι στην κύρια λαβή.

Προειδοποίηση! Μη χρησιμοποιείτε αυτό το εργαλείο για να αναμίξετε ή να αντλήσετε εύφλεκτα ή εκρηκτικά υγρά (βενζίνη, οινόπνευμα κλπ.). Μην αναμιγνύετε ή αναδεύετε εύφλεκτα υγρά που φέρουν ανάλογη σήμανση.

Αξεσουάρ

Η απόδοση του εργαλείου σας εξαρτάται από το αξεσουάρ που χρησιμοποιείτε. Τα αξεσουάρ της Stanley Fat Max έχουν κατασκευαστεί μηχανικά με πρότυπα υψηλής ποιότητας και είναι σχεδιασμένα για να ενισχύουν την απόδοση του εργαλείου σας. Χρησιμοποιώντας αυτά τα αξεσουάρ, θα εξασφαλίσετε την καλύτερη δυνατή απόδοση του εργαλείου σας.

Συντήρηση

Αυτή η συσκευή/εργαλείο με καλώδιο/χωρίς καλώδιο της Stanley FatMax έχει σχεδιαστεί έτσι ώστε να λειτουργεί για μεγάλο χρονικό διάστημα με την ελάχιστη δυνατή συντήρηση. Η συνεχής ικανοποιητική λειτουργία εξαρτάται από τη σωστή φροντίδα και τον τακτικό καθαρισμό.

Προειδοποίηση! Πριν πραγματοποιήσετε οποιαδήποτε συντήρηση σε ηλεκτρικά εργαλεία ρεύματος/μπαταρίας:

- ◆ Απενεργοποιήστε και αποσυνδέστε τη συσκευή/εργαλείο από την πρίζα.
- ◆ Ή απενεργοποιήστε και αφαιρέστε την μπαταρία από τη συσκευή/εργαλείο εάν η συσκευή/εργαλείο διαθέτει ξεχωριστή μπαταρία.
- ◆ Ή χρησιμοποιήστε την μπαταρία μέχρι να αδειάσει εντελώς και στη συνέχεια απενεργοποιήστε.
- ◆ Αποσυνδέστε το φορτιστή από την πρίζα πριν τον καθαρίσετε. Ο φορτιστής σας δεν χρειάζεται καμία άλλη συντήρηση πέραν του τακτικού καθαρισμού.
- ◆ Να καθαρίζετε τακτικά τις εγκοπές εξαιρισμού της συσκευής/εργαλείου/φορτιστή με μια μαλακή βούρτσα ή με ένα στεγνό πανί.

- ◆ Να καθαρίζετε τακτικά το περίβλημα του μοτέρ με ένα ελαφρά υγρό πανί. Μη χρησιμοποιείτε καθαριστικά που χαράζουν ή περιέχουν διαλύτες.
- ◆ Να ανοίγετε τακτικά το τσοκ και να το χτυπάτε ελαφρά για να αφαιρείται η σκόνη από το εσωτερικό του (εφόσον έχει εφαρμοστεί).

Αντικατάσταση του φινις ρευματοληψίας (Ην. Βασίλειο & Ιρλανδία μόνο)

Αν χρειάζεται να τοποθετηθεί νέο φινις ρευματοληψίας:

- ◆ Αφαιρέστε με ασφαλή τρόπο το παλιό φινις.
- ◆ Συνδέστε τον καφέ αγωγό στον ηλεκτροφόρο ακροδέκτη του νέου ρευματολήπτη.
- ◆ Συνδέστε τον μπλε αγωγό στον ουδέτερο ακροδέκτη.

Προειδοποίηση! Δεν πρέπει να γίνει καμία σύνδεση στον ακροδέκτη γείωσης. Ακολουθήστε τις οδηγίες συναρμολόγησης που συνοδεύουν τα καλής ποιότητας φινις. Συνιστώμενη ασφάλεια: 10 A.

Προστασία του περιβάλλοντος



Χωριστή συλλογή. Τα προϊόντα και οι μπαταρίες που επισημαίνονται με αυτό το σύμβολο δεν πρέπει να απορρίπτονται μαζί με τα κανονικά οικιακά απορρίμματα.

Τα προϊόντα και οι μπαταρίες περιέχουν υλικά που μπορούν να ανακτηθούν ή να ανακυκλωθούν ώστε να μειωθούν οι ανάγκες για πρώτες ύλες.

Παρακαλούμε να ανακυκλώνετε τα ηλεκτρικά προϊόντα και τις μπαταρίες σύμφωνα με τους τοπικούς κανονισμούς. Περισσότερες πληροφορίες διατίθενται στον ιστότοπο www.2helpU.com

Τεχνικά δεδομένα

		SFMEH220 (Τύπος 1)
Τάση	V	220 - 240
Συχνότητα	Hz	50 - 60
Κατανάλωση ισχύος	W	1010
Ρυθμός κρούσης	bpm	2900
Ενέργεια κρούσης (EPTA / Μέγ.)	J	8,5
Τύπος τσοκ		SDS Max
Βάρος	kg	6,3

SFMEH220 Στάθμη ηχητικής πίεσης σύμφωνα με το πρότυπο EN60745:		
Ηχητική πίεση (L_{pA})	dB(A)	85
Αβεβαιότητα ηχητικής πίεσης (K_{pA})	dB(A)	3
Ηχητική ισχύς (L_{WA})	dB(A)	96
Αβεβαιότητα ηχητικής ισχύος (K_{WA})	dB(A)	3
Τιμή εκπομπών κραδασμών ah (εργασίας καλειμού):		
($a_{h,Choc}$)	m/s^2	11
Αβεβαιότητα (K)	m/s^2	1,5

Δήλωση συμμόρφωσης ΕΚ

ΟΔΗΓΙΑ ΠΕΡΙ ΜΗΧΑΝΗΜΑΤΩΝ



SMEH220 Σφύρα Δομικών εργασιών
H Stanley Europe δηλώνει ότι αυτά τα προϊόντα που περιγράφονται στα "τεχνικά δεδομένα" συμμορφώνονται με: 2006/42/ΕΚ, EN 60745-1, EN 60745-2-6

Αυτά τα προϊόντα συμμορφώνονται επίσης με την Οδηγία 2014/30/ΕΕ και 2011/65/ΕΕ. Για περισσότερες πληροφορίες, παρακαλείσθε να επικοινωνήσετε με την Stanley Europe στην παρακάτω διεύθυνση ή να ανατρέξετε στο πίσω μέρος του χειριδίου.

Ο κάτωθι υπογεγραμμένος είναι υπεύθυνος για την κατάρτιση του τεχνικού φακέλου και δηλώνει τα παρόντα εκ μέρους της Stanley Europe.

A.P. Smith

A.P. Smith
Τεχνικός Διευθυντής
Stanley Fat Max Europe, Egide Walschaertsstraat14-18,
2800 Mechelen, Belgium
22/07/2019

Εγγύηση

Η Stanley Fat Max είναι σίγουρη για την ποιότητα των προϊόντων της και προσφέρει στους καταναλωτές εγγύηση 12 μηνών από την ημερομηνία αγοράς. Αυτή η εγγύηση συμπληρώνει και με κανένα τρόπο δεν παραβιάζει τα νόμιμα δικαιώματά σας. Η εγγύηση ισχύει εντός της επικράτειας των χωρών μελών της Ευρωπαϊκής Ένωσης και της Ευρωπαϊκής Ζώνης Ελεύθερων Συναλλαγών.

Για να υποβάλετε αξίωση βάσει της εγγύησης, η αξίωση θα πρέπει να είναι σύμφωνη με τους Όρους και προϋποθέσεις της Stanley Fat Max και θα χρειαστεί να υποβάλετε την απόδειξη αγοράς στον πωλητή ή σε εξουσιοδοτημένο αντιπρόσωπο επισκευών. Μπορείτε να αποκτήσετε τους Όρους και προϋποθέσεις της εγγύησης 1 ετών της Stanley Fat Max και να μάθετε την τοποθεσία του πλησιέστερου εξουσιοδοτημένου αντιπροσώπου επισκευών στο Internet στο www.2helpU.com, ή επικοινωνώντας με το τοπικό σας γραφείο Stanley Fat Max στη διεύθυνση που υποδεικνύεται στο παρόν εγχειρίδιο.

Επισκεφθείτε τον ιστότοπό μας www.stanley.eu/3 για να καταχωρίσετε το καινούργιο προϊόν Stanley Fat Max που αποκτήσατε και για να λαμβάνετε ενημερώσεις σχετικά με νέα προϊόντα και ειδικές προσφορές.

België/Belgique	Stanley Fat Max E. Walschaertstraat 14-16 2800 Mechelen Belgium	De. Tel. +32 70 220 065 Fr. Tel. +32 70 220 066 Fax +32 15 473 799 www.stanleytools.eu Enduser.be@SBDinc.com
Danmark	Stanley Fat Max Farveland 1B 2600 Glostrup	Tel. 70 20 15 10 Fax 70 22 49 10 www.stanleyworks.dk
Deutschland	Stanley Fat Max Richard Klinger Str. 11, D - 65510 Idstein	Tel. 06126 21-1 Fax 06126 21-2770
Ελλάδα	Stanley Fat Max. Στράβωνος 7 & Λεωφ. Βουλιαγμένης 159 Γλυφάδα 166 74 - Αθήνα	Τηλ. +30 210 8981-616 Φαξ +30 210 8983-285 www.stanleyworks.gr
España	Stanley Fat Max. Parc de Negocis "Mas Blau" Edificio Muntadas, c/Bergadá, 1, Of. A6 08820 El Prat de Llobregat (Barcelona)	Tel. 934 797 400 Fax 934 797 419 respuesta.postventa@sbdinc.com www.stanleyworks.es
France	Stanley Fat Max 5 allée des Hêtres B.P. 30084 69579 Limonest Cédex	Tel. 04 72 20 39 20 Fax 04 72 20 39 00 www.stanleyouillage.fr
Helvetia	Stanley Fat Max In der Luberzen 40 8902 Urdorf	Tel. 01 730 67 47 Fax 01 730 70 67 www.stanleyworks.de
Italia	Stanley Fat Max EnergyPark-Building 03 sud, Via Monza 7/A 20871 Vimercate (MB)	Tel. 039-9590200 Fax 039-9590313 www.stanley.it
Nederland	Stanley Fat Max Joulehof 12, 4600 RG Bergen op Zoom	Tel. +31 164 283 065 Fax +31 164 283 200 Enduser.NL@SBDinc.com
Norge	Stanley Fat Max Postboks 4613, Nydalen 0405 Oslo	Tlf. 45 25 13 00 Fax 45 25 08 00
Österreich	Stanley Fat Max Oberlaaerstraße 248, A-1230 Wien	Tel. 01 66116-0 Fax 01 66116-614 www.stanleyworks.de
Portugal	Stanley Fat Max Centro de Escritórios de Sintra Avenida Almirante Gago Coutinho, 132/134, Edifício 142710-418 Sintra 2710-418 Lisboa	Tel. 214667500 Fax 214667575 resposta.posvenda@sbdinc.com
Suomi	Stanley Fat Max Tekniikantie 12, 02150 Espoo	Puh. 010 400 430 Faksi 0800 411 340 www.stanleyworks.fi
Sverige	Stanley Fat Max Box 94, 431 22 Mölndal	Tel. 031-68 61 00 Fax 031-68 60 08
Türkiye	Stanley Fat Max KALE Hırdavat ve Makina A.Ş. Defterdar Mah. Savaklar Cad. No:15 Edirnekapı / Eyüp / İSTANBUL 34050	Puh. 0212 533 52 55 Faks 0212 533 10 05 www.stanleyworks.fi
United Kingdom	Stanley Fat Max 210 Bath Road Slough, Berkshire SL1 3YD	Tel. +44 (0)1753 511234 Fax +44 (0)1753 551155 www.stanleytools.co.uk
Middle East & Africa	Stanley Fat Max P.O.Box - 17164 Jebel Ali (South Zone), Dubai, UAE	Tel. +971 4 8127400 Fax +971 4 8127036 www.stanleyworks.ae